

MODEL : UT37  
List No : 1603-01

# PARTS LIST

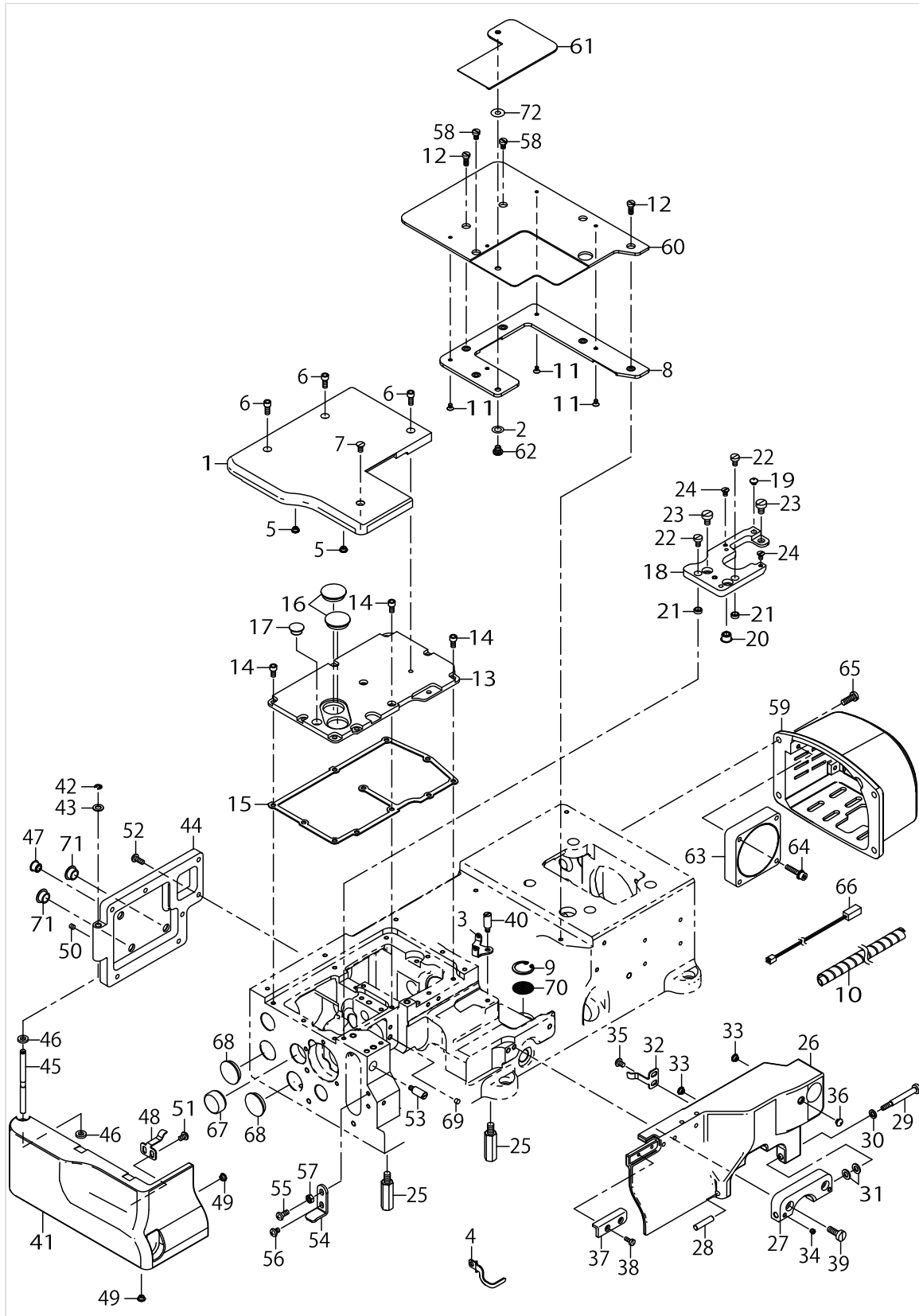
Published:09/10/2017

## CONTENTS

---

MISCELLANEOUS COVER COMPONENTS.....	1
MAIN SHAFT COMPONENTS .....	5
THREAD TENSION COMPONENTS .....	7
LOOPER THREAD TRIMMER COMPONENTS .....	9
PNEUMATIC DRIVE & PRESSER FEED LIFTER COMPONENTS .....	11
TOP COVER THREAD TRIMMER COMPONENTS (UT37,UT37A).....	15
ACCESSORIE PARTS COMPONENTS .....	17
HOW TO MAKE USE OF THIS PARTS LIST .....	19

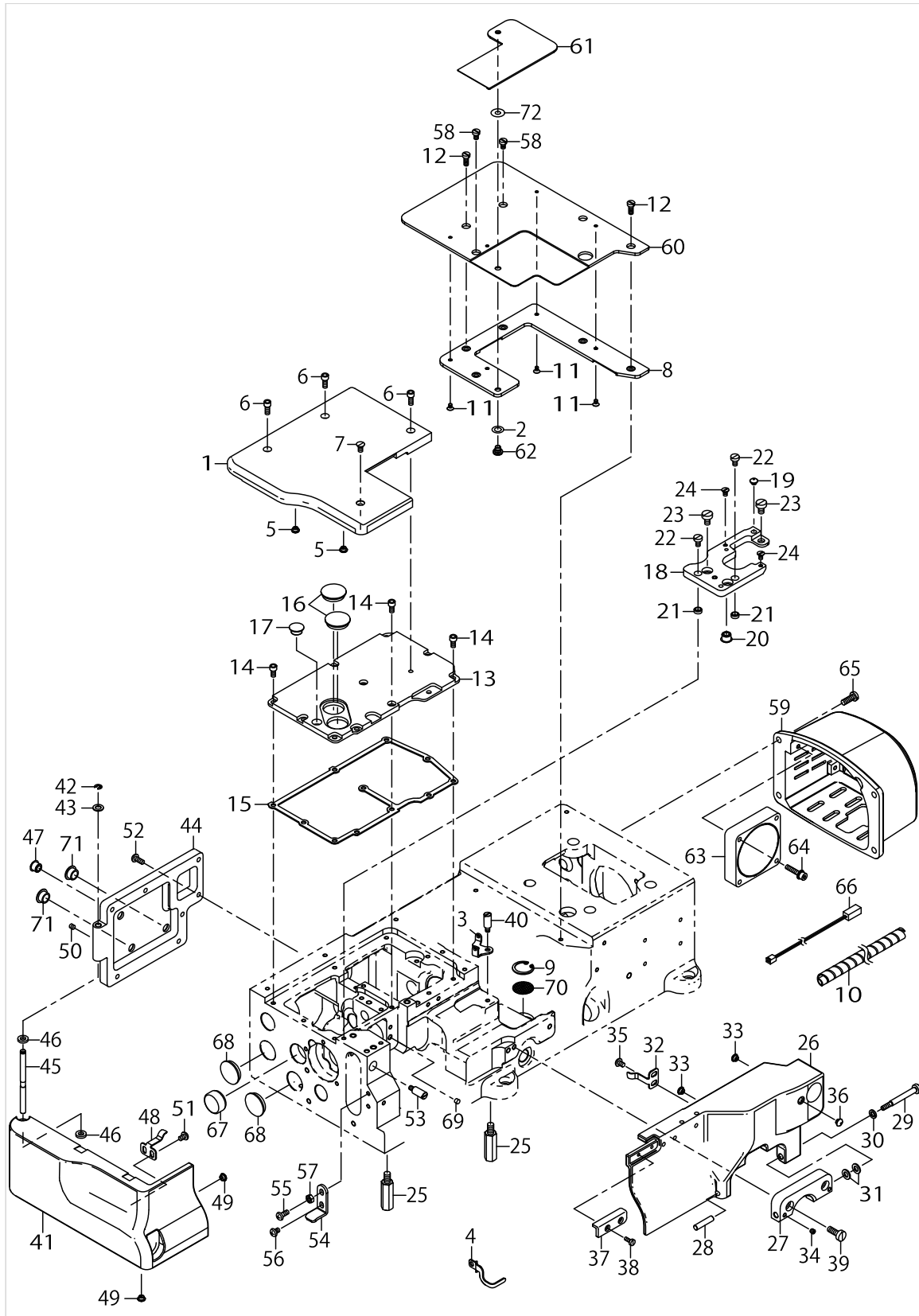
# MISCELLANEOUS COVER COMPONENTS



MISCELLANEOUS COVER COMPONENTS

No.	Parts No.	Parts name	Remarks	Level	Cons	Qty
1	70001420	CLOTH_PLATE_LEFT				1
2	WZ0641510KP	WAVED WASHER 6.4X11X0.3				1
3	70001823	THREAD_GUIDE_UT				1
4	70001484	FINGER_GUARD				1
5	13302302	RUBBER BUMPER				2
6	SM6041002TP	SCREW M4X0.7 L=10				3
7	SM1040800SP	SCREW				1
8	70001825	CLOTH_PLATE_RIGHT_BOTTOM				1
9	RC1900002KP	C-RING				1
10	HX00314000D	SPIRAL TUBE				0.7
11	SM1030501SN	SCREW				4
12	SM6041000SP	SCREW M4 L=10				2
13	70001415	BED_TOP_COVER				1
14	SM6040800SP	SCREW				11
15	70001423	GASKET_B				1
16	TA2050416R0	RUBBER PLUG				2
17	TA1050504R0	RUBBER PLUG				1
18	70001424	THROAT_PLATE_SUPPORT				1
19	13302302	RUBBER BUMPER				1
20	TA0850604R0	RUBBER PLUG				1
21	40082196	ADJUSTING_COLLAR				2
22	SM6040750TP	SCREW M4 L=7				2
23	SM6050800SP	SCREW M5 L=8				3
24	13302203	SCREW				2
25	13301809	SUPPORT STUD				4
26	70001426	SWING_DOWN_COVER				1
27	70001431	HINGE				1
28	13409800	DIFF_LINK_PIN				1
29	70001414	SCREW				1
30	WS0510002KP	SPRING WASHER 5.1X9.2X1.3				1
31	WP0531000SC	WASHER 5.3X10X1				2
32	13304308	LATCH SPRING				1
33	13302302	RUBBER BUMPER				2
34	SM8040412TP	SET SCREW M4 L=4				2
35	SM4040655SP	SCREW M4 L=6				2
36	13302302	RUBBER BUMPER				1
37	40099371	BRACKET				1
38	SM6030800SP	SCREW M3X0.5 L=8				2
39	SM6051400SP	SCREW				2
40	13302104	PIN				1
41	70001418	SIDE_COVER				1
42	RE0300000K0	E-RING 3				1
43	WP0550800SP	WASHER 5.5X10X0.8				1
44	70001659	FEED_CHAMBER_COVER				1
45	13305107	PIN_FOR_SIDE_COVER				1
46	13302708	RUBBER_WASHER				2
47	TA0850604R0	RUBBER PLUG				1

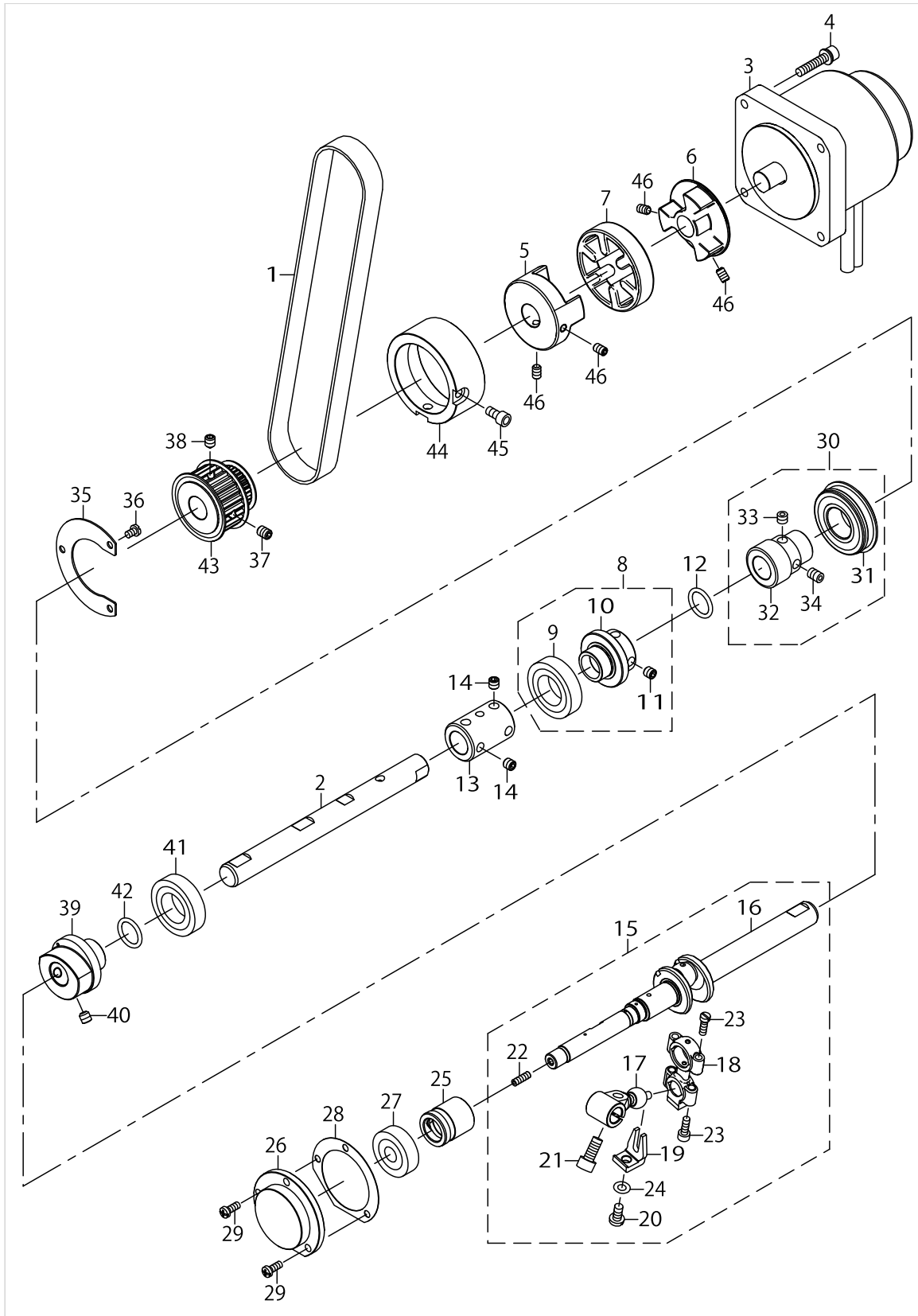
MISCELLANEOUS COVER COMPONENTS



MISCELLANEOUS COVER COMPONENTS

No.	Parts No.	Parts name	Remarks	Level	Cons	Qty
48	13304308	LATCH SPRING				1
49	13302302	RUBBER BUMPER				2
50	SM8040412TP	SET SCREW M4 L=4				1
51	SM4040555SP	SCREW				2
52	SM4041055SP	SCREW				7
53	13302104	PIN				1
54	13304209	SUPPORT BRACKET				1
55	SM4041055SP	SCREW				1
56	SM4040655SP	SCREW M4 L=6				1
57	NM6040000SN	NUT M4				1
58	SM6040600SP	SCREW M4 L=6				3
59	70001413	MOTOR_COVER				1
60	70001818	CLOTH_PLATE_RIGHT_UPPER				1
61	70001826	SLIDE_COVER				1
62	SD0640216TP	SHOULDER SCREW				1
63	40119461	HEAD FAN MOTOR A ASSY				1
64	SL6042092TN	SCREW M4 L=20				2
65	SM4051455SP	SCREW M5 L=14				4
66	70001457	FAN_CORD_ASSY				1
67	TA2101002R0	RUBBER PLUG				1
68	TA2050416R0	RUBBER PLUG				2
69	TA0400301M0	PLUG D=4X4.5 L=3				1
70	13426903	MESH PLATE				1
71	TA1050504R0	RUBBER PLUG				2
72	70001428	WASHER				1

# MAIN SHAFT COMPONENTS

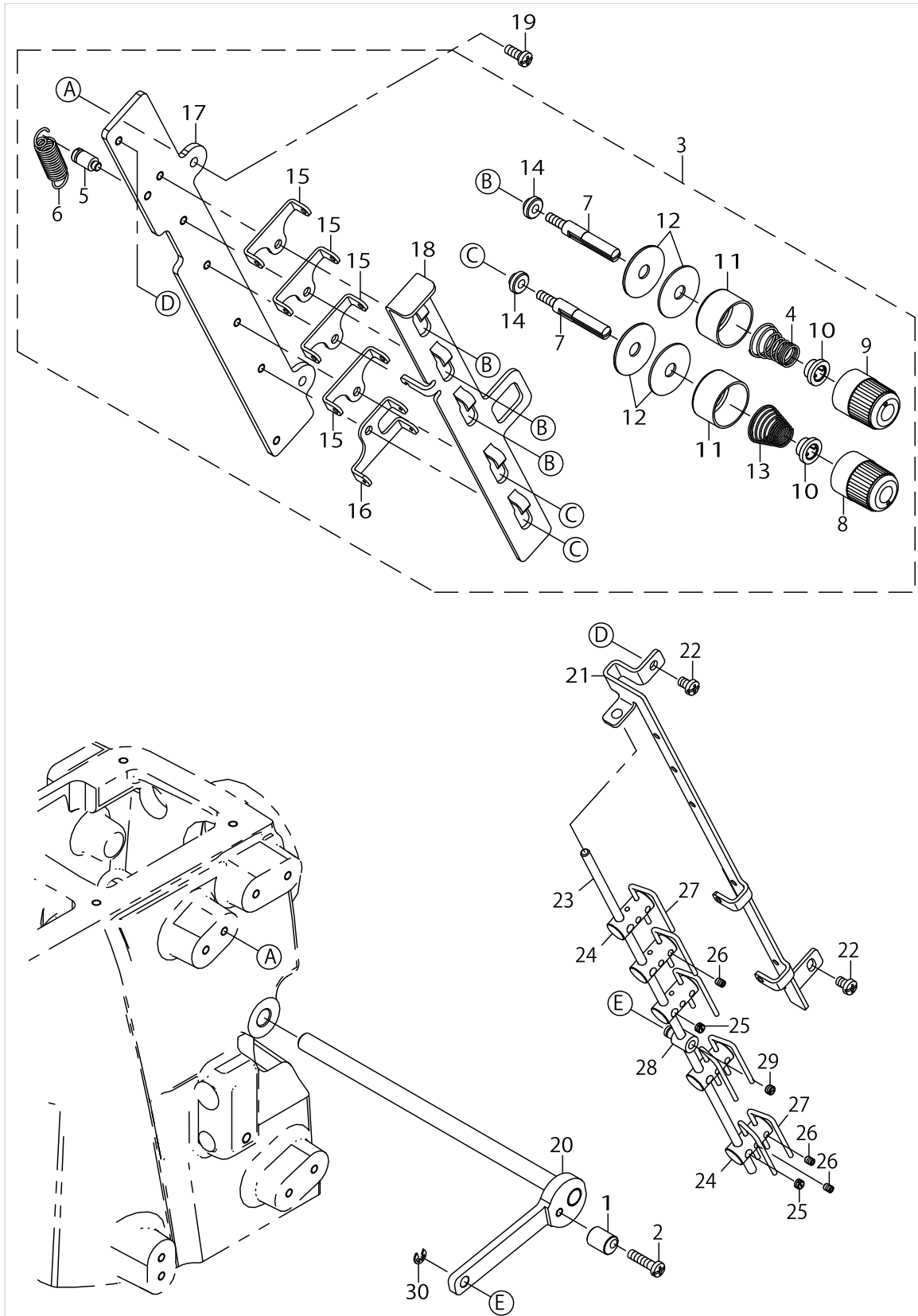


MAIN SHAFT COMPONENTS

No.	Parts No.	Parts name	Remarks	Level	Cons	Qty
1	13308804	TIMING_BELT				1
2	70001455	LOWER_MAINSHAFT_RIGHT_DD				1
3	40118009	SERVO MOTOR				1
4	SL6052592TN	BOLT				4
5	40112105	HUB_L				1
6	40112106	HUB_R				1
7	40112107	SPIDER				1
8	13308457	BEARING_ASSY_C				1
9	SB120001500	BEARING		*		1
10	40018922	COUPLING_C		*		1
11	SM8060612TP	SCREW M6 L=6		*		2
12	RO148240200	RUBBER RING				1
13	13307509	JOINT				1
14	SM8060612TP	SCREW M6 L=6				4
15	70001446	LMS_LEFT_ASSY				1
16	70001434	LOWER_MAINSHAFT_LEFT		*		1
17	70001600	LOOPER_DRIVE		*		1
18	70001599	LOOPER_ROD_DRIVE		*		1
19	13337100	GUIDE LOOPER ROD		*		1
20	SM4051055SP	SCREW		*		1
21	SM6061402TP	SCREW M6 L=14		*		1
22	SM8040412TP	SET SCREW M4 L=4		*		1
23	13324108	SCREW		*		4
24	WS0510002KP	SPRING WASHER 5.1X9.2X1.3		*		1
25	70001447	BUSHING_LMS_MIDDLE				1
26	70001448	BUSHING_LMS_LEFT				1
27	SB110002300	BEARING				1
28	13308705	GASKET FOR BUSHING LEFT				1
29	SM4041055SP	SCREW				3
30	70003278	LMS_WORM_ASSY				1
31	70001458	BEARING		*		1
32	13308507	COUPLING D		*		1
33	SM8060842TP	SCREW M6 L=8		*		1
34	SM8060552TP	SCREW M6 L=5		*		1
35	70001451	THRUST_PLATE				1
36	SM4040655SP	SCREW M4 L=6				3
37	SM8060812TP	SCREW M6 L=8				1
38	SM8060842TP	SCREW M6 L=8				1
39	70001453	BEARING_HOLDER				1
40	SM8060612TP	SCREW M6 L=6				2
41	SB120001500	BEARING				1
42	RO148240200	RUBBER RING				1
43	70004184	LMS_SPROCKET				1
44	70003317	FLY_WHEEL_FOR_DD				1
45	SM6051002TP	SCREW M5X0.8 L=10				2
46	SM8050412TP	SCREW M5 L=4				4



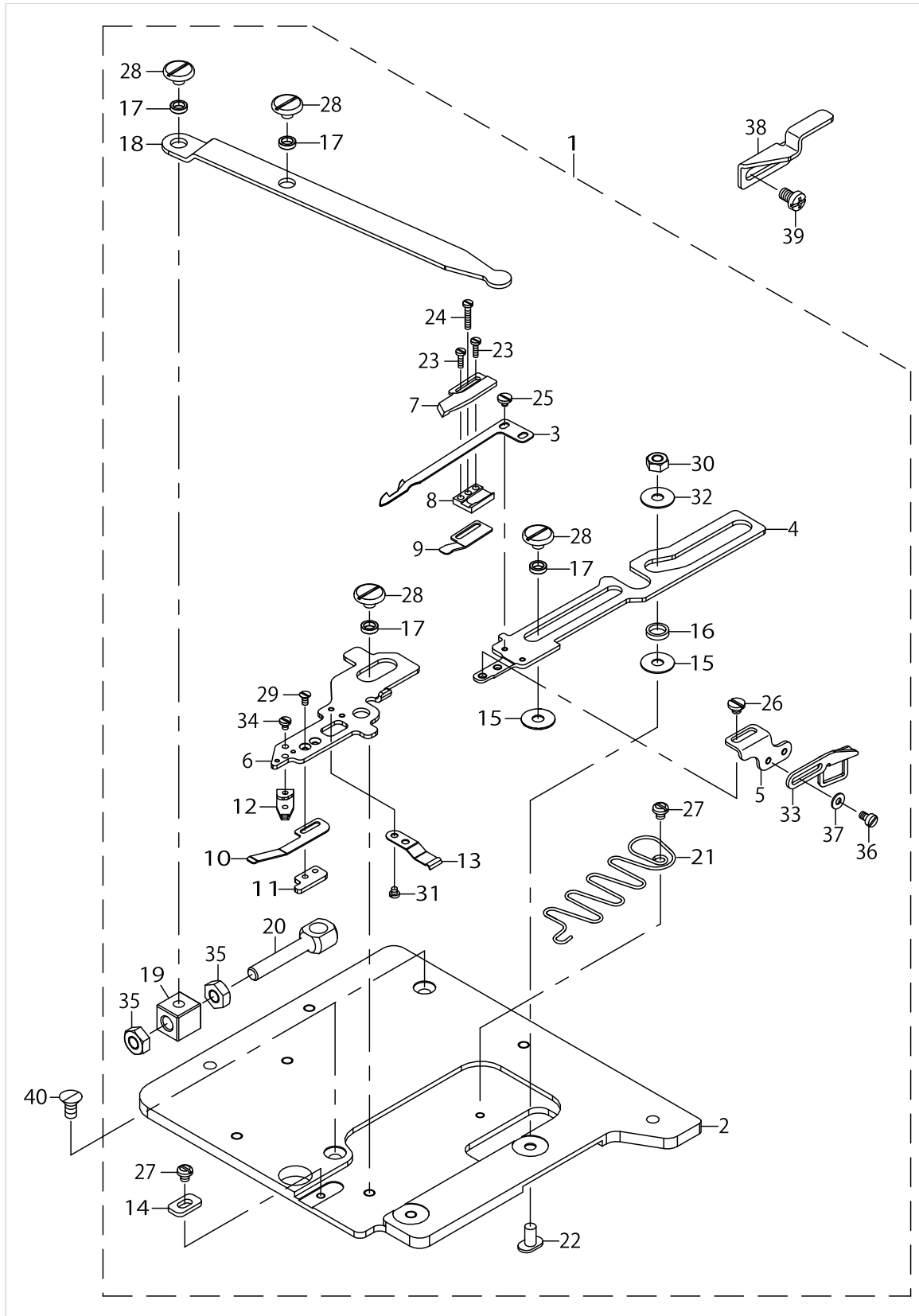
THREAD TENSION COMPONENTS



THREAD TENSION COMPONENTS

No.	Parts No.	Parts name	Remarks	Level	Cons	Qty
1	40065785	TENS_RELEASE_ADJ_ECC				1
2	SM4041655SP	SCREW M4 L=16				1
3	70001612	THREAD_TENSION_ASSY				1
4	13140504			*		3
5	13340302	SHOULDER SCREW		*		1
6	26019000			*		1
7	70001620	TENSION_POST		*		5
8	40042363	KNOB		*		2
9	40042364	KNOB GREEN		*		3
10	40042365	SPRING BUSHING		*		5
11	40042366	THREAD TENSION DISK PRESSER		*		5
12	40101602	THREAD_TENSION_DISC		*		10
13	40102003	SPRING		*		2
14	70001617	SPACER		*		5
15	70001615	TENSION_DISC_EYELET_A		*		4
16	70001616	TENSION_DISC_EYELET_B		*		1
17	70001613	TENSION_POST_SUPPORT		*		1
18	70001614	TENSION_DISC_SEPARATOR		*		1
19	SM4041055SP	SCREW				2
20	70001618	PULL_OFF_LEVER_ASSY				1
21	70001621	THREAD_GUIDE				1
22	SM4040655SP	SCREW M4 L=6				2
23	13456108	PULL_OFF_BAR				1
24	13456207	THD_P_O_HOOK_GUIDE				5
25	SM8040360TP	SCREW				5
26	SM8030412TP	SCREW				7
27	13456603	THD_PULL_OFF_HOOK				7
28	13456405	THD_PULL_OFF_BAR_HOLDER				1
29	SM8040360TP	SCREW				1
30	RE0300000K0	E-RING 3				1

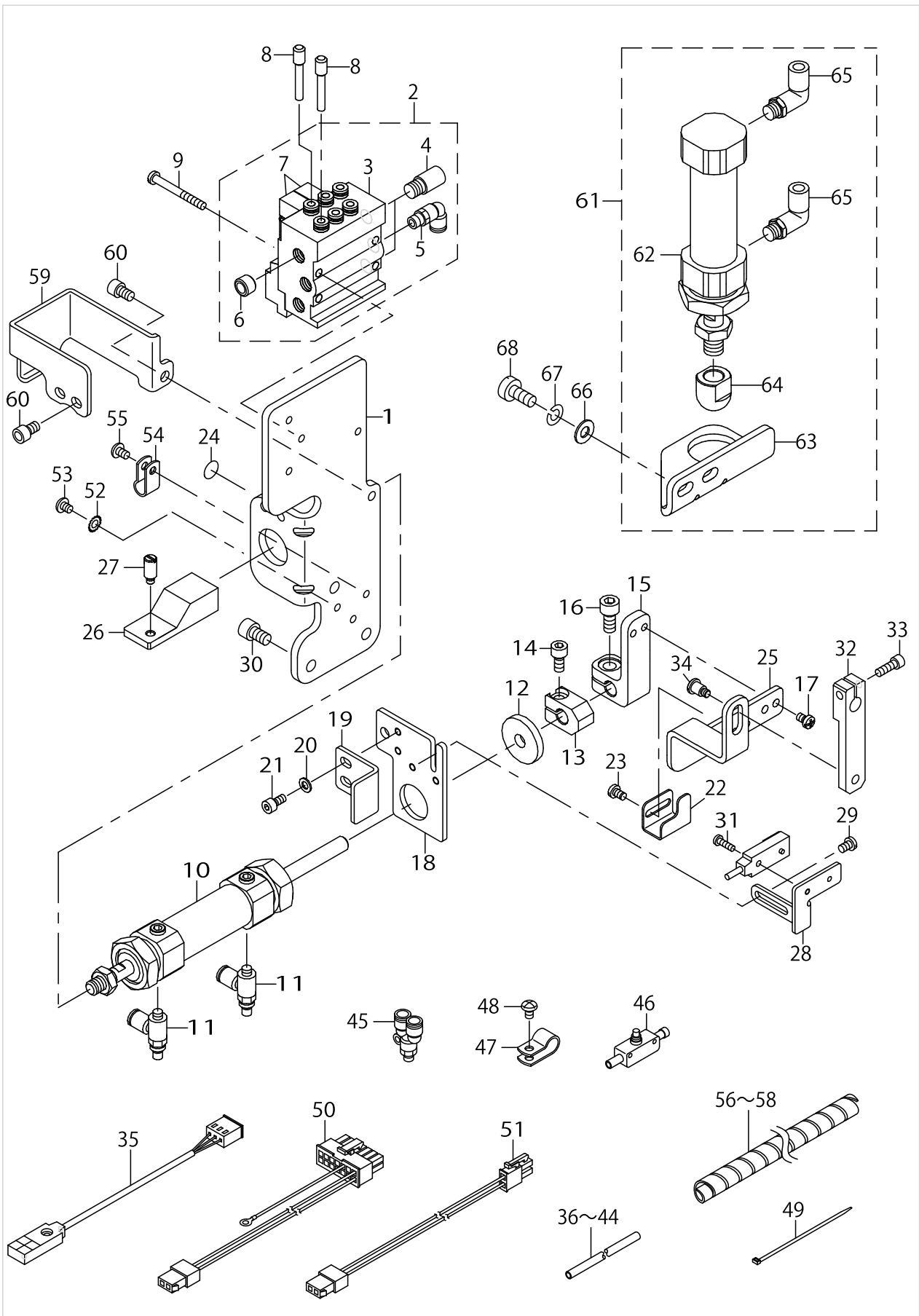
# LOOPER THREAD TRIMMER COMPONENTS



LOOPER THREAD TRIMMER COMPONENTS

No.	Parts No.	Parts name	Remarks	Level	Cons	Qty
1	70001815	UNDER_TRIMMER_ASSY				1
2	70001817	CLOTH_PLATE_RIGHT_UT		*		1
3	40086274	LOWER_KNIFE		*		1
4	70001821	LOWER_KNIFE_HOLDER		*		1
5	70001824	TAKE_UP_UT_BRACKET		*		1
6	70001820	KNIFE_GUIDE_HOLDER		*		1
7	40086277	UPPER_KNIFE		*		1
8	40086278	LOWER_KNIFE_GUIDE		*		1
9	40086279	KNIFE_SPRING		*		1
10	40086280	THREAD_CLAMP		*		1
11	40086282	PLATE		*		1
12	40086308	TENSION_LEVER		*		1
13	13441902	LEAF_SPRING-2		*		1
14	40086290	STOPPER		*		1
15	WP0420516KH	THRUST WASHER 4.2		*		2
16	40086292	COLLAR_D8		*		1
17	40086293	COLLAR_D6		*		4
18	70001816	LEVER		*		1
19	40086295	CONNECTING_BLOCK_A		*		1
20	40086296	CONNECTING_BLOCK_B		*		1
21	13440409	SPRING_FOR_UT		*		1
22	40070110	SCREW		*		1
23	40086298	SCREW_M1.6L6		*		2
24	40086299	SCREW_M2L10		*		1
25	40086300	SCREW_M2L2.3		*		2
26	SM6030350SN	SCREW M3 L=2.5		*		2
27	40086302	SCREW_M3L3		*		2
28	40086303	SCREW_M4X0.5L4		*		4
29	SM1020450TP	SCREW M2 L=4		*		2
30	NM6040001SP	NUT M4X0.7		*		1
31	SM6020250TP	SCREW.		*		2
32	WP0431005SP	PLAIN WASHER 4.3X12X1		*		1
33	70001822	THREAD_TAKE_UP_UT		*		1
34	SM6020350SP	SCREW M2 L=2.5		*		1
35	NM6050001SP	NUT M5		*		2
36	SM6850400SP	SCREW M2.5 L=4		*		2
37	WP0250516SD	WASHER 2.5X6X0.5		*		2
38	70001827	UT_GUIDE				1
39	SM4040655SP	SCREW M4 L=6				2
40	SM1040800SP	SCREW				2

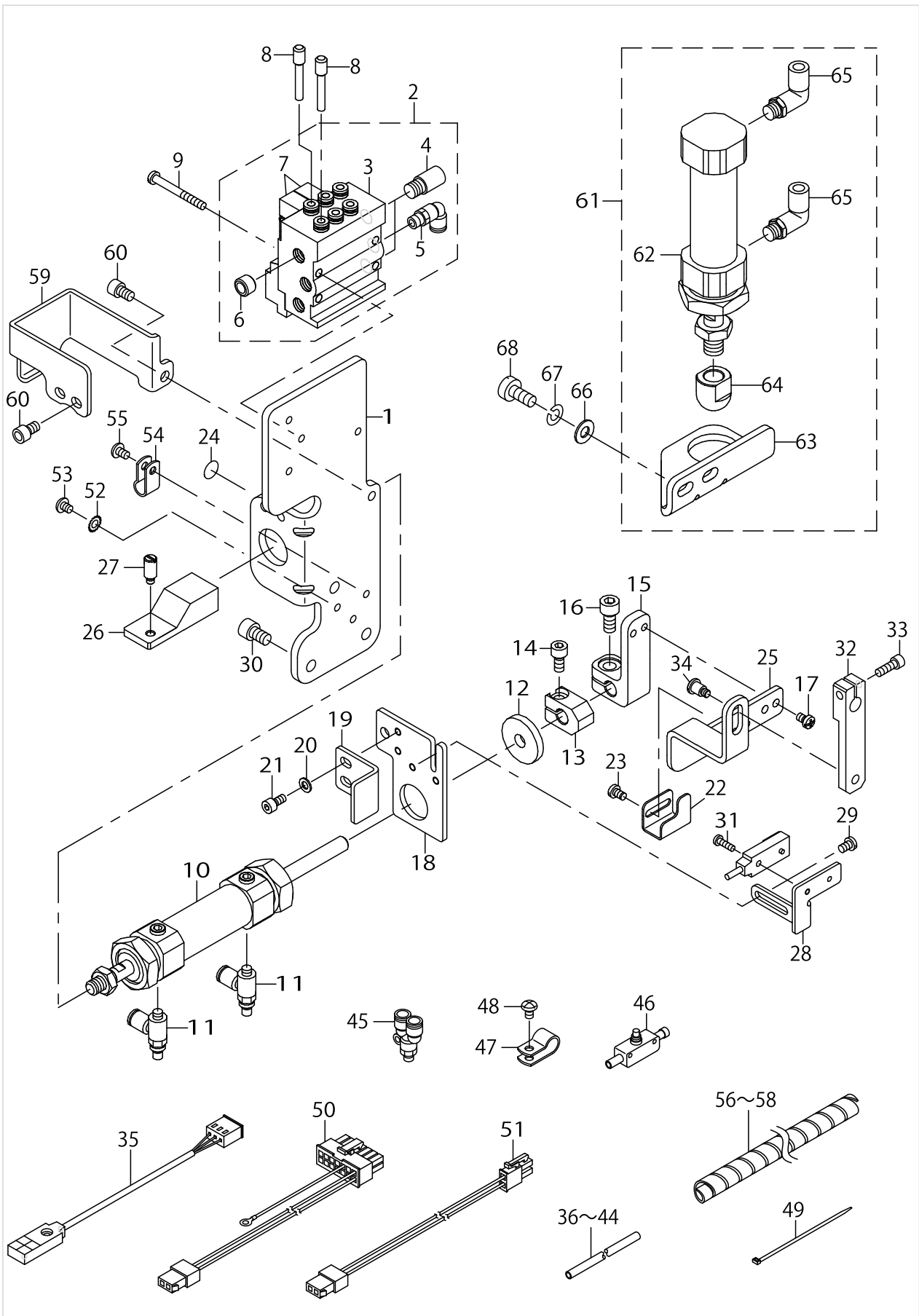
PNEUMATIC DRIVE & PRESSER FEED LIFTER COMPONENTS



PNEUMATIC DRIVE & PRESSER FEED LIFTER COMPONENTS

No.	Parts No.	Parts name	Remarks	Level	Cons	Qty
1	13442504	AIR_CYLINDER_BRACKET				1
2	40072396	MANIFOLD_VALVE_ASSY				1
3	PV035161000	MANIFOLD		*		1
4	PX055104000	SILENCER (PT1/8)		*		2
5	PJ304065101	ELBOW UNION 6XPT1/8		*		1
6	PJ025100002	PLUG R1/8		*		3
7	PJ025100002	PLUG R1/8		*		2
8	PX500014000	PLUG				2
9	SM4043555SP	SCREW				2
10	PA2001802A0	AIR CYLINDER				1
11	PC010508000	SPEED CONTROLLER				2
12	13443601	WASHER				1
13	13442900	COLLAR				1
14	SM6051002TP	SCREW M5X0.8 L=10				1
15	13443007	PLATE HOLDER				1
16	SM6061202TP	SCREW M6 L=12				1
17	SM4040655SP	SCREW M4 L=6				2
18	70001776	SENSOR HOLDER				1
19	70001778	SUPPORT_PLATE_UT				1
20	WP0430800SC	WASHER M4				2
21	SM6040802TP	SCREW M4X0.7 L=8				2
22	13443205	SWITCH_PLATE				1
23	SM4040655SP	SCREW M4 L=6				2
24	22901805	GROUND MARK				1
25	40019322	TENS_RELEASE_PLATE_UT				1
26	13442603	PLUNGER				1
27	13442702	PIN				1
28	70001777	SENSOR HOLDER				1
29	SM4040655SP	SCREW M4 L=6				2
30	SM6061002TP	SCREW M6 L=10				3
31	SM4031001SN	SCREW				1
32	70001479	TENSION_RELEASE_LEVER				1
33	SM6041202TP	SCREW M4X0.7 L=12				1
34	SD0700706TP	SHOULDER SCREW				1
35	40021746	UNDER_TRIMMER_SENSOR_CABLE_ASM				1
36	BT0400251EB	URETHANE TUBE BLACK 4X2.5				0.27
37	BT0400251EB	URETHANE TUBE BLACK 4X2.5				0.32
38	BT0400251EB	URETHANE TUBE BLACK 4X2.5				0.08
39	BT0400251EB	URETHANE TUBE BLACK 4X2.5				0.08
40	BT0400251EB	URETHANE TUBE BLACK 4X2.5				0.42
41	BT0400251EB	URETHANE TUBE BLACK 4X2.5				0.23
42	BT0400251EB	URETHANE TUBE BLACK 4X2.5				0.63
43	BT0400251EB	URETHANE TUBE BLACK 4X2.5				0.3
44	BT0400251EB	URETHANE TUBE BLACK 4X2.5				0.22
45	PJ308040006	UNION				2
46	PC012401000	SPEED CONTROLLER				1
47	HX00150000C	CABLE CLAMP				2

PNEUMATIC DRIVE & PRESSER FEED LIFTER COMPONENTS

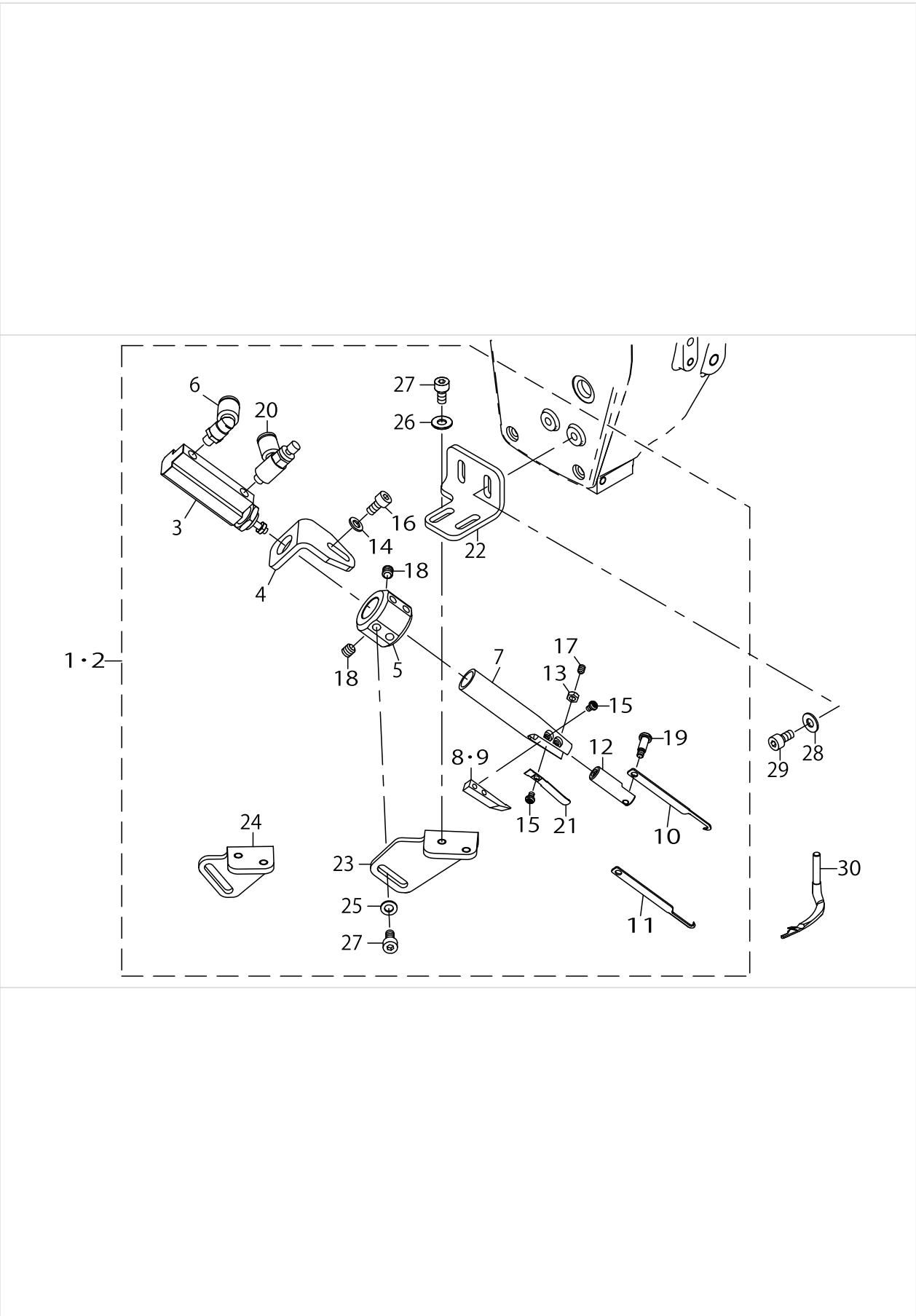


PNEUMATIC DRIVE & PRESSER FEED LIFTER COMPONENTS

No.	Parts No.	Parts name	Remarks	Level	Cons	Qty
48	SM4040655SP	SCREW M4 L=6				2
49	EA9500B0100	CABLE BAND				3
50	40027211	UNDER_TRIMMER_CABLE_B_ASM				1
51	40027213	LIFT_UP_CABLE_B_ASM				1
52	WT0430002KN	WASHER M4				1
53	SM4040501SN	SCREW M4X0.7 L=5				1
54	HX00150000B	CABLE CLAMP				1
55	SM4040655SP	SCREW M4 L=6				1
56	HX003140000	SPIRAL TABE				0.96
57	HX00314000D	SPIRAL TUBE				0.12
58	HX00314000D	SPIRAL TUBE				0.1
59	40069703	SOLENOIDE_COVER				1
60	SM6050802TP	SCREW M5X0.8 L=8				3
61	40018079	PNEUMATIC_P_F_LIFTER_ASSY				1
62	PA2503004A0	AIR CYLINDER		*		1
63	13455001	AIR_CYLINDER_BRACKET		*		1
64	13455100	AIR_CYLINDER_CAP		*		1
65	PJ304045102	ELBOW UNION, C		*		2
66	WP0621016SD	WASHER 6.2X13X1				2
67	WS0610002KP	SPRING WASHER				2
68	SM6061400SP	SCREW M6 L=14				2



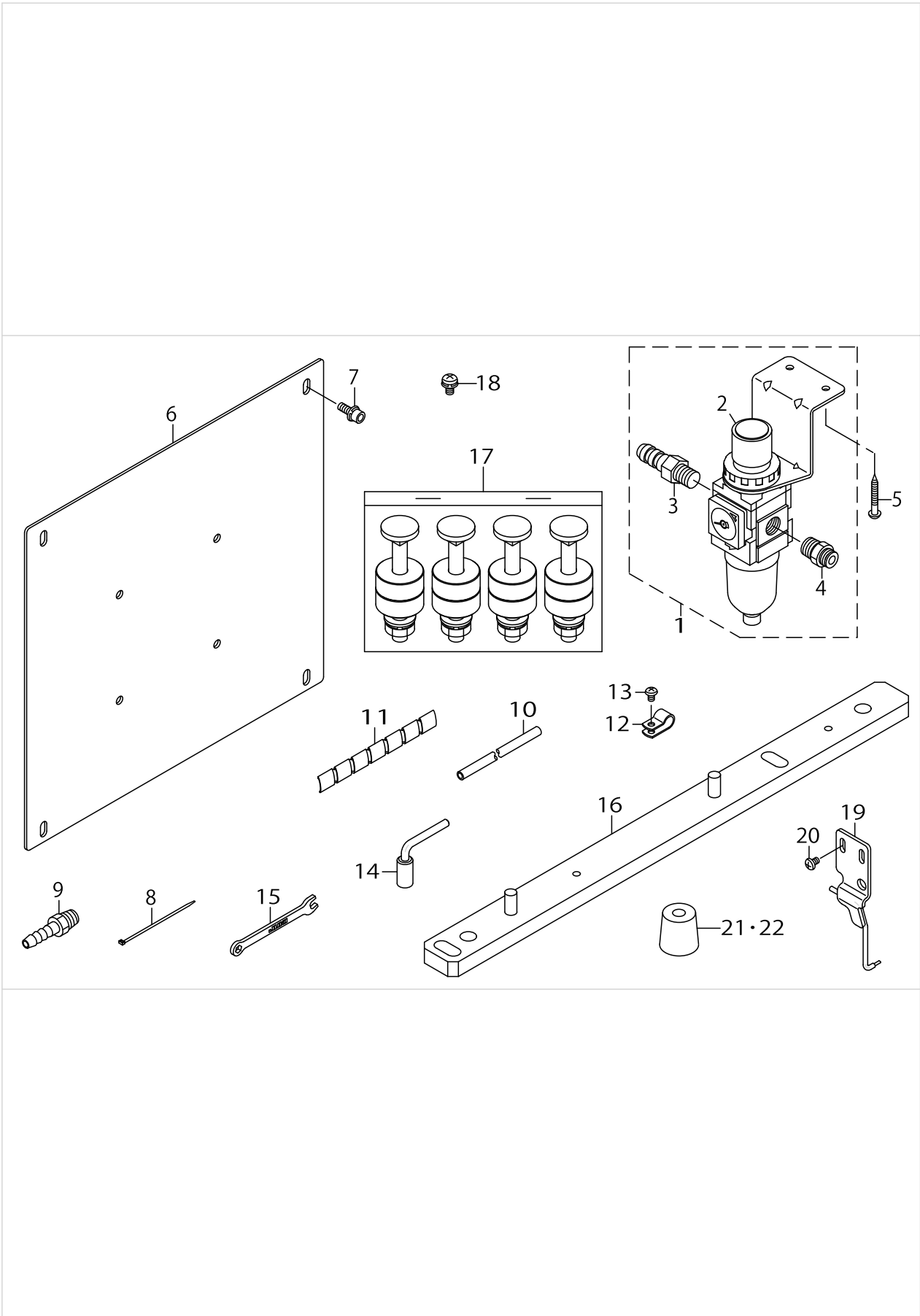
TOP COVER THREAD TRIMMER COMPONENTS (UT37,UT37A)



TOP COVER THREAD TRIMMER COMPONENTS (UT37,UT37A)

No.	Parts No.	Parts name	Remarks	Level	Cons	Qty
1	70001788	U_L_THREAD_TRIMMER_ASSY				1
2	70002246	U_L_THREAD_TRIMMER_ASSY(TURKEY)	FOR TURKEY (UT37A)			1
3	PA0602006A0	AIR CYLINDER		*		1
4	13459300	AIR_CYLINDER_BRACKET		*		1
5	13458203	COLLAR		*		1
6	PJ304040504	UNION		*		1
7	70001781	KNIFE HOLDER		*		1
8	13458500	LOWER_KNIFE		*		1
9	40029004	FIXED_KNIFE	FOR TURKEY (UT37A)	*		1
10	40065510	MOVING_KNIFE		*		1
11	70001791	MOVING_KNIFE	FOR TURKEY (UT37A)	*		1
12	70001780	MOVING_KNIFE HOLDER		*		1
13	NM6030250SC	NUT M3X0.5		*		1
14	WP0430800SC	WASHER M4		*		2
15	SM4850455SP	SCREW		*		3
16	SM6040802TN	SCREW		*		2
17	SM8030450SP	SCREW M3 L=4		*		1
18	SM8050512TP	SCREW		*		2
19	70001782	SHOULDER_SCREW		*		1
20	PC010508000	SPEED CONTROLLER		*		1
21	13458401	SPRING		*		1
22	70001783	BRACKET_2		*		1
23	70001784	BRACKET		*		1
24	70001790	BRACKET_FOR_TURKEY	FOR TURKEY (UT37A)	*		1
25	WP0430800SC	WASHER M4		*		2
26	WP0450826SC	WASHER 4.5X10X0.8		*		2
27	SM6040802TN	SCREW		*		4
28	WP0450826SC	WASHER 4.5X10X0.8		*		2
29	SM6040802TN	SCREW		*		2
30	70001563	UPPER_LOOPER	FOR TURKEY (UT37A)			1

ACCESSORIE PARTS COMPONENTS



ACCESSORIE PARTS COMPONENTS

No.	Parts No.	Parts name	Remarks	Level	Cons	Qty
1	40018052	FILTER_REGULATOR_ASSY				1
2	PF0552070C0	FILTER GEGULATOR		*		1
3	F1021003000	HOSE JOINT		*		1
4	PJ301065201	HALF UNION 6XPT1/4		*		1
5	SK3452001SE	WOOD SCREW D=4.5 L=20				2
6	40094198	SC_BRACKET				1
7	SL6051492TN	BOLT				4
8	EA9500B0100	CABLE BAND				3
9	PJ032526001	HOSE NIPPLE				1
10	BT0600401EB	URETHANE TUBE BLACK 6X4				2
11	HX00314000A	SPIRAL TUBE				0.6
12	HX00150000C	CABLE CLAMP				1
13	SM4040655SP	SCREW M4 L=6				1
14	40073360	WRENCH				1
15	13160106	SPANNER (5X6)				1
16	70001843	SUPPORT_PLATE_ASSY				2
17	13348966	ASSY_BOLT_SET				1
18	SL4051091SC	SCREW M5X0.8 L=10				4
19	70001785	AIR_BLOW_WIPER_ASSY				1
20	SM4040655SP	SCREW M4 L=6				2
21	40072505	ISOLATOR				2
22	13155403	ISOLATOR				2

## HOW TO MAKE USE OF THIS PARTS LIST

- 1.As to "#01" and "#02" refer to the "Note" given at the bottom of the respective pages.
- 2.Codes on the "Qty" column
  - Each numeral indicates the number of parts required.
  - "0.1" and "2.5" indicate the length (in meters) of the respective parts.
- 3.Parentheses mean that the corresponding part is a subpart that constructs an assembly part.
- 4.Dotted lines on the Figures indicate assembly parts.

1. リストページの# 0 1、# 0 2の印は、ページ下の"注記"の説明を参照下さい。
2. 数量欄の数字は、個数を表し、0. 1、2. 5等の数値は、長さ（単位メートル）を表します。
3. 数量欄の（ ）は、組部品を構成している子部品であることを意味します。
4. イラストページの-----枠は、組構成であることを意味します。

ALL PARTS NOT MENTIONED IN THIS PARTS LIST ARE SAME AS THOSE OF  
MODEL MF-7500. OTHER PARTS LIST RELATED TO THIS MODEL.  
\*MF-7500 (NO.1596 PART NO.70002001)

このパーツリスト記載以外の部品はMF-7500と共通です。  
この機種に関連するパーツリストとして下記のパーツリストがあります。  
\*MF-7500 (NO.1596 品番70002001)

# NUMERICAL INDEX OF PARTS

PART NO	PAGE	REF NO.	PART NO	PAGE	REF NO.	PART NO	PAGE	REF NO.
13140504	8	4	26019000	8	6	40118009	6	3
13155403	18	21·22	40018052	18	1	40119461	4	63
13160106	18	15	40018079	14	61	70001413	4	59
13301809	2	25	40018922	6	10	70001414	2	29
13302104	2	53	40019322	12	25	70001415	2	13
13302104	4	53	40021746	12	35	70001418	2	41
13302203	2	24	40027211	14	50	70001420	2	1
13302302	2	49	40027213	14	51	70001423	2	15
13302302	4	49	40029004	16	8·9	70001424	2	18
13302708	2	46	40042363	8	8	70001426	2	26
13304209	4	54	40042364	8	9	70001428	4	72
13304308	2	48	40042365	8	10	70001431	2	27
13304308	4	48	40042366	8	11	70001434	6	16
13305107	2	45	40065510	16	10	70001446	6	15
13307509	6	13	40065785	8	1	70001447	6	25
13308457	6	8	40069703	14	59	70001448	6	26
13308507	6	32	40070110	10	22	70001451	6	35
13308705	6	28	40072396	12	2	70001453	6	39
13308804	6	1	40072505	18	21·22	70001455	6	2
13324108	6	23	40073360	18	14	70001457	4	66
13337100	6	19	40082196	2	21	70001458	6	31
13340302	8	5	40086274	10	3	70001479	12	32
13348966	18	17	40086277	10	7	70001484	2	4
13409800	2	28	40086278	10	8	70001563	16	30
13426903	4	70	40086279	10	9	70001599	6	18
13440409	10	21	40086280	10	10	70001600	6	17
13441902	10	13	40086282	10	11	70001612	8	3
13442504	12	1	40086290	10	14	70001613	8	17
13442603	12	26	40086292	10	16	70001614	8	18
13442702	12	27	40086293	10	17	70001615	8	15
13442900	12	13	40086295	10	19	70001616	8	16
13443007	12	15	40086296	10	20	70001617	8	14
13443205	12	22	40086298	10	23	70001618	8	20
13443601	12	12	40086299	10	24	70001620	8	7
13455001	14	63	40086300	10	25	70001621	8	21
13455100	14	64	40086302	10	27	70001659	2	44
13456108	8	23	40086303	10	28	70001776	12	18
13456207	8	24	40086308	10	12	70001777	12	28
13456405	8	28	40094198	18	6	70001778	12	19
13456603	8	27	40099371	2	37	70001780	16	12
13458203	16	5	40101602	8	12	70001781	16	7
13458401	16	21	40102003	8	13	70001782	16	19
13458500	16	8·9	40112105	6	5	70001783	16	22
13459300	16	4	40112106	6	6	70001784	16	23
22901805	12	24	40112107	6	7	70001785	18	19

NUMERICAL INDEX OF PARTS

PART NO	PAGE	REF NO.	PART NO	PAGE	REF NO.	PART NO	PAGE	REF NO.
70001788	16	1·2	PJ301065201	18	4	SM6020350SP	10	34
70001790	16	24	PJ304040504	16	6	SM6030350SN	10	26
70001791	16	11	PJ304045102	14	65	SM6030800SP	2	38
70001815	10	1	PJ304065101	12	5	SM6040600SP	4	58
70001816	10	18	PJ308040006	12	45	SM6040750TP	2	22
70001817	10	2	PV035161000	12	3	SM6040800SP	2	14
70001818	4	60	PX055104000	12	4	SM6040802TN	16	29
70001820	10	6	PX500014000	12	8	SM6040802TP	12	21
70001821	10	4	RC1900002KP	2	9	SM6041000SP	2	12
70001822	10	33	RE0300000K0	2	42	SM6041002TP	2	6
70001823	2	3	RE0300000K0	8	30	SM6041202TP	12	33
70001824	10	5	RO148240200	6	42	SM6050800SP	2	23
70001825	2	8	SB110002300	6	27	SM6050802TP	14	60
70001826	4	61	SB120001500	6	41	SM6051002TP	6	45
70001827	10	38	SD0640216TP	4	62	SM6051002TP	12	14
70001843	18	16	SD0700706TP	12	34	SM6051400SP	2	39
70002246	16	1·2	SK3452001SE	18	5	SM6061002TP	12	30
70003278	6	30	SL4051091SC	18	18	SM6061202TP	12	16
70003317	6	44	SL6042092TN	4	64	SM6061400SP	14	68
70004184	6	43	SL6051492TN	18	7	SM6061402TP	6	21
BT0400251EB	12	36~44	SL6052592TN	6	4	SM6850400SP	10	36
BT0600401EB	18	10	SM1020450TP	10	29	SM8030412TP	8	26
EA9500B0100	14	49	SM1030501SN	2	11	SM8030450SP	16	17
EA9500B0100	18	8	SM1040800SP	2	7	SM8040360TP	8	29
F1021003000	18	3	SM1040800SP	10	40	SM8040412TP	2	50
HX00150000B	14	54	SM4031001SN	12	31	SM8040412TP	4	50
HX00150000C	12	47	SM4040501SN	14	53	SM8040412TP	6	22
HX00150000C	18	12	SM4040555SP	4	51	SM8050412TP	6	46
HX003140000	14	56~58	SM4040655SP	2	56	SM8050512TP	16	18
HX00314000A	18	11	SM4040655SP	4	56	SM8060552TP	6	34
HX00314000D	2	10	SM4040655SP	6	36	SM8060612TP	6	40
HX00314000D	14	56~58	SM4040655SP	8	22	SM8060812TP	6	37
NM6030250SC	16	13	SM4040655SP	10	39	SM8060842TP	6	38
NM6040000SN	4	57	SM4040655SP	12	55	TA0400301M0	4	69
NM6040001SP	10	30	SM4040655SP	14	55	TA0850604R0	2	47
NM6050001SP	10	35	SM4040655SP	18	20	TA1050504R0	2	71
PA0602006A0	16	3	SM4041055SP	4	55	TA1050504R0	4	71
PA2001802A0	12	10	SM4041055SP	6	29	TA2050416R0	2	68
PA2503004A0	14	62	SM4041055SP	8	19	TA2050416R0	4	68
PC010508000	12	11	SM4041655SP	8	2	TA2101002R0	4	67
PC010508000	16	20	SM4043555SP	12	9	WP0250516SD	10	37
PC012401000	12	46	SM4051055SP	6	20	WP0420516KH	10	15
PF0552070C0	18	2	SM4051455SP	4	65	WP0430800SC	12	20
PJ025100002	12	7	SM4850455SP	16	15	WP0430800SC	16	25
PJ032526001	18	9	SM6020250TP	10	31	WP0431005SP	10	32

## NUMERICAL INDEX OF PARTS

PART NO	PAGE	REF NO.
WP0450826SC	16	28
WP0531000SC	2	31
WP0550800SP	2	43
WP0621016SD	14	66
WS0510002KP	2	30
WS0510002KP	6	24
WS0610002KP	14	67
WT0430002KN	14	52
WZ0641510KP	2	2