

MODEL : MF-7900D-H22/23

List No : 1601-01

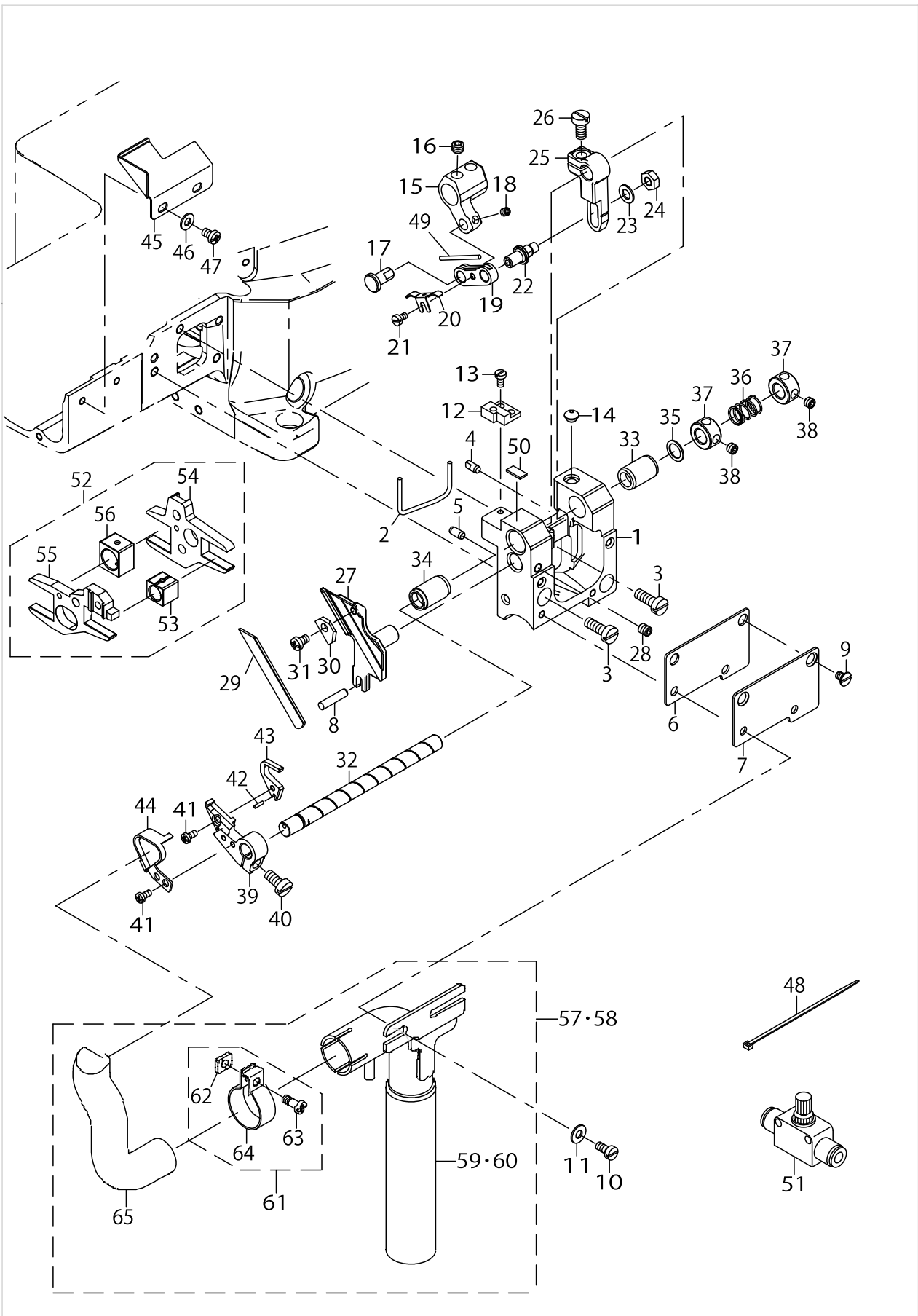
PARTS LIST

Published:09/10/2017

CONTENTS

DEVICE COMPONENTS	1
MISCELLANEOUS COVER COMPONENTS.....	5
GAUGE COMPONENTS (FOR H22)	9
GAUGE COMPONENTS (FOR H23)	11
HOW TO MAKE USE OF THIS PARTS LIST	13

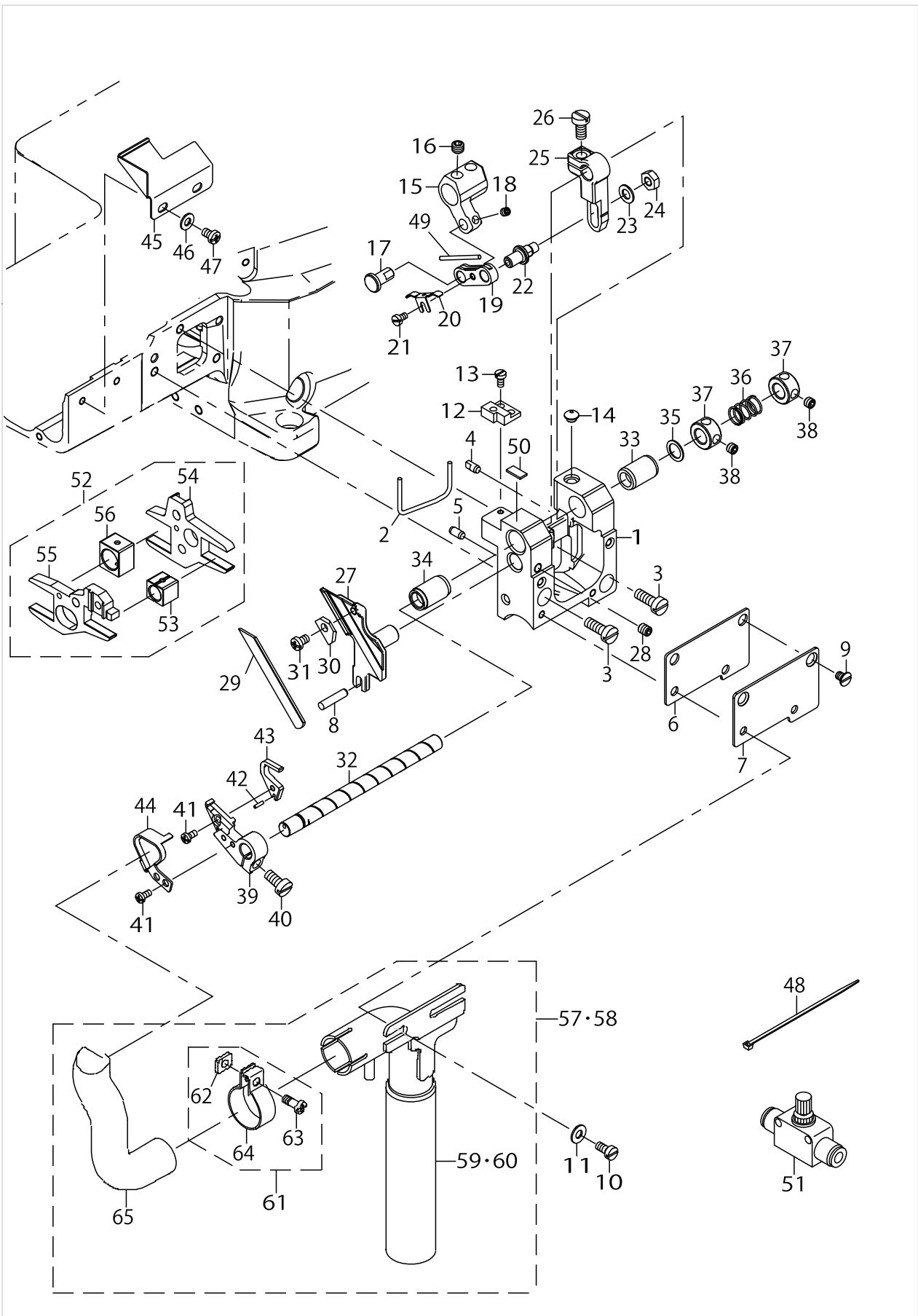
DEVICE COMPONENTS



DEVICE COMPONENTS

No.	Parts No.	Parts name	Remarks	Level	Cons	Qty
1	70001851	SUPPORT_BLOCK				1
2	RO437200200	RUBBER RING				1
3	SM6051400SP	SCREW				3
4	13301908	DOWEL PIN 2				1
5	13302500	DOWEL PIN 2				1
6	70001863	S_B_COVER_GASKET				1
7	70001864	SUPPORT_BLOCK_COVER				1
8	PH0400185S0	PIN				1
9	SM1040650TP	SCREW				2
10	SM6040800SP	SCREW				2
11	WP0450801SC	WASHER 4.5X10X0.8				2
12	40040211	TP_ADJUST_PLATE				1
13	SM6030600SP	SCREW M3X0.5 L=6				2
14	13302302	RUBBER BUMPER				1
15	13461306	DRIVE_LEVER				1
16	SM8060552TP	SCREW M6 L=5				2
17	13461504	LINK_PIN				1
18	SM8040412TP	SET SCREW M4 L=4				1
19	70001856	LINK				1
20	70001857	OIL_WICK_PLATE				1
21	SM6030500SN	SCREW M3 L=5				1
22	13461207	ADJUST_PIN				1
23	WP0550800SP	WASHER 5.5X10X0.8				1
24	NM6050001SP	NUT M5				1
25	70001858	ADJUST_LEVER				1
26	SM6051000SP	SCREW				1
27	70001855	LOWER_KNIFE HOLDER				1
28	SM8050612TP	SCREW M5X6				1
29	40042378	LOWER_KNIFE				1
30	40042319	LOWER_KNIFE_PRESSER_PLATE				1
31	SM4040655SP	SCREW M4 L=6				1
32	40040711	SHAFT				1
33	70001853	BUSHING_RIGHT				1
34	70001854	BUSHING_LEFT				1
35	WP0820516SP	WASHER 11.6X8.2X0.6				1
36	40040306	UPPER_KNIFE_SPRING				1
37	CS0800881TP	THRUST COLLAR				2
38	SM8050412TP	SCREW M5 L=4				2
39	70001860	UPPER_KNIFE HOLDER				1
40	SM6051000SP	SCREW				1
41	SM4030655SP	SCREW				3
42	PH0150065C0	PIN				1
43	70001861	UPPER_KNIFE				1
44	70001889	FABRIC_TRIMMER_GUIDE				1
45	70001869	FEED_COVER				1
46	WP0430801SC	WASHER M4				2
47	SM4040655SP	SCREW M4 L=6				2

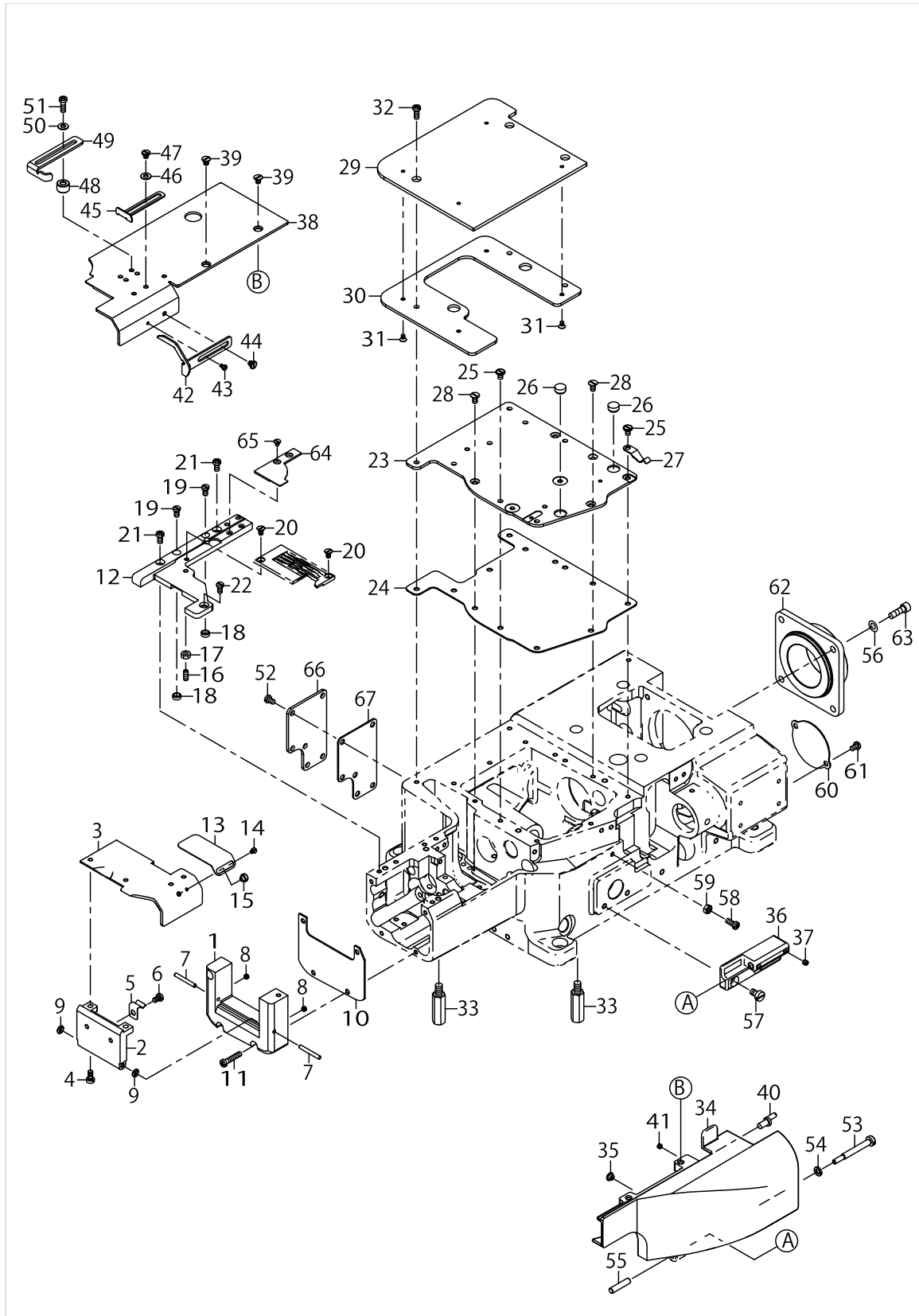
DEVICE COMPONENTS



DEVICE COMPONENTS

No.	Parts No.	Parts name	Remarks	Level	Cons	Qty
48	EA9500B0100	CABLE BAND				1
49	CQ303000000	COTTON OIL WICK D=3				0.2
50	13403605	RUBBER_PLATE				1
51	PC012601000	SPEED CONTROLLER				1
52	40040309	FEED_BAR_ASSY				1
53	13413802	SLIDE BLOCK 2		*		1
54	13413901	MAIN FEED BAR		*		1
55	40039915	DIFF_FEED_BAR		*		1
56	13413703	SLIDE BLOCK 1		*		1
57	70001880	SUCTION_PIPE_SET_TOP	FOR TABLE ATTACH			1
58	70001881	SUCTION_PIPE_SET_SUB	FOR HALF-SUNKEN TYPE TABLE			1
59	70001877	SUCTION_PIPE_ASSY_TOP	FOR TABLE ATTACH	*		1
60	70001878	SUCTION_PIPE_ASSY_SUB	FOR HALF-SUNKEN TYPE TABLE	*		1
61	40043839	SUCTION_PIPE_JOINT_ASSY		*		1
62	40043815	SUCTION_PIPE_NUT		*		1
63	SM4041055SP	SCREW		*		1
64	40043800	SUCTION_PIPE_JOINT		*		1
65	40042374	SUCTION_PIPE_1		*		1

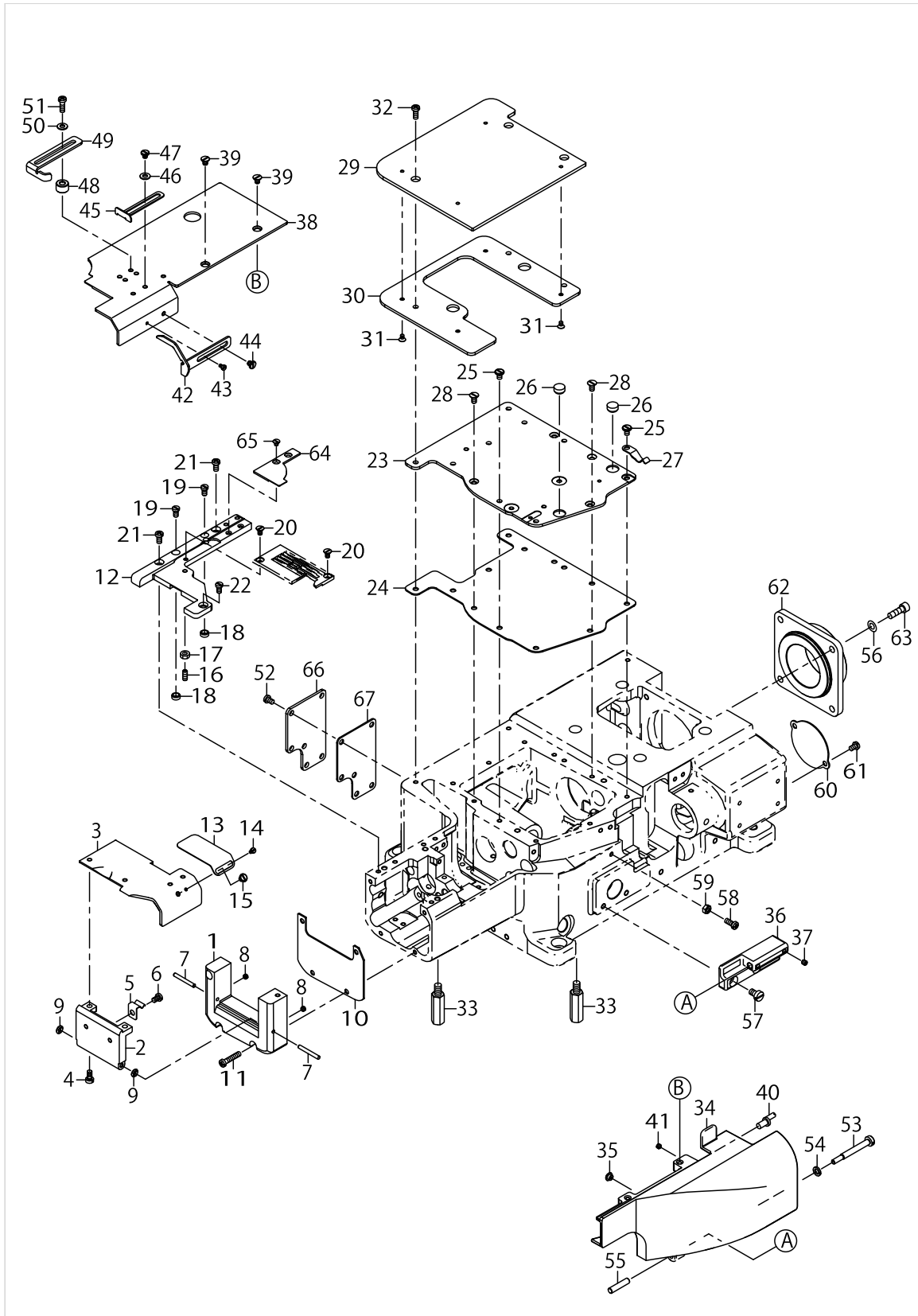
MISCELLANEOUS COVER COMPONENTS



MISCELLANEOUS COVER COMPONENTS

No.	Parts No.	Parts name	Remarks	Level	Cons	Qty
1	70001866	CYLINDER_COVER_H22				1
2	70001655	SIDE_COVER_BOTTOM				1
3	70001868	SIDE_COVER_UPPER_H22				1
4	SM6040800SP	SCREW				2
5	13401906	LATCH SPRING 2				1
6	SM4040655SP	SCREW M4 L=6				1
7	PH0300252C0	PIN				2
8	SM8040360TP	SCREW				2
9	RO037180100	RUBBER RING				2
10	70001661	GASKET				1
11	SM4042055SP	SCREW				3
12	70001865	THROAT_PLATE_SUPPORT_H22				1
13	70001890	SIDE_COVER				1
14	SM6850400SP	SCREW M2.5 L=4				1
15	SM6040450TP	SCREW M4 L=4				1
16	SM8041012TP	SCREW M4 L=10				1
17	NM6040000SN	NUT M4				1
18	40082196	ADJUSTING_COLLAR				2
19	SM6040750TP	SCREW M4 L=7				2
20	13302203	SCREW				2
21	SM4040855SP	SCREW				2
22	SM6040750TP	SCREW M4 L=7				1
23	70001662	COVER_PLATE				1
24	70001663	GASKET_B				1
25	SM6040800SP	SCREW				6
26	TA0980502R0	RUBBER PLUG				2
27	13402003	LATCH SPRING				1
28	SM1040860SP	SCREW				4
29	70001668	CLOTH_PLATE_REAR				1
30	70001670	CLOTH_PLATE_REAR_LOWER				1
31	SM1030501SN	SCREW				4
32	SM4041055SP	SCREW				3
33	13301809	SUPPORT STUD				4
34	70001870	SWING_DOWN_COVER				1
35	13302302	RUBBER BUMPER				1
36	70001648	HINGE				1
37	SM8040412TP	SET SCREW M4 L=4				2
38	70001872	CLOTH_PLATE_FRONT_H22				1
39	SM1040800SP	SCREW				2
40	13402706	PIN FOR COVER				1
41	SM8040360TP	SCREW				1
42	70001888	HEM_GUIDE_LEFT				1
43	SM6850400SP	SCREW M2.5 L=4				1
44	SM6040450TP	SCREW M4 L=4				1
45	70001875	HEM_GUIDE_RIGHT				1
46	WP0430801SC	WASHER M4				2
47	SM6040450TP	SCREW M4 L=4				2

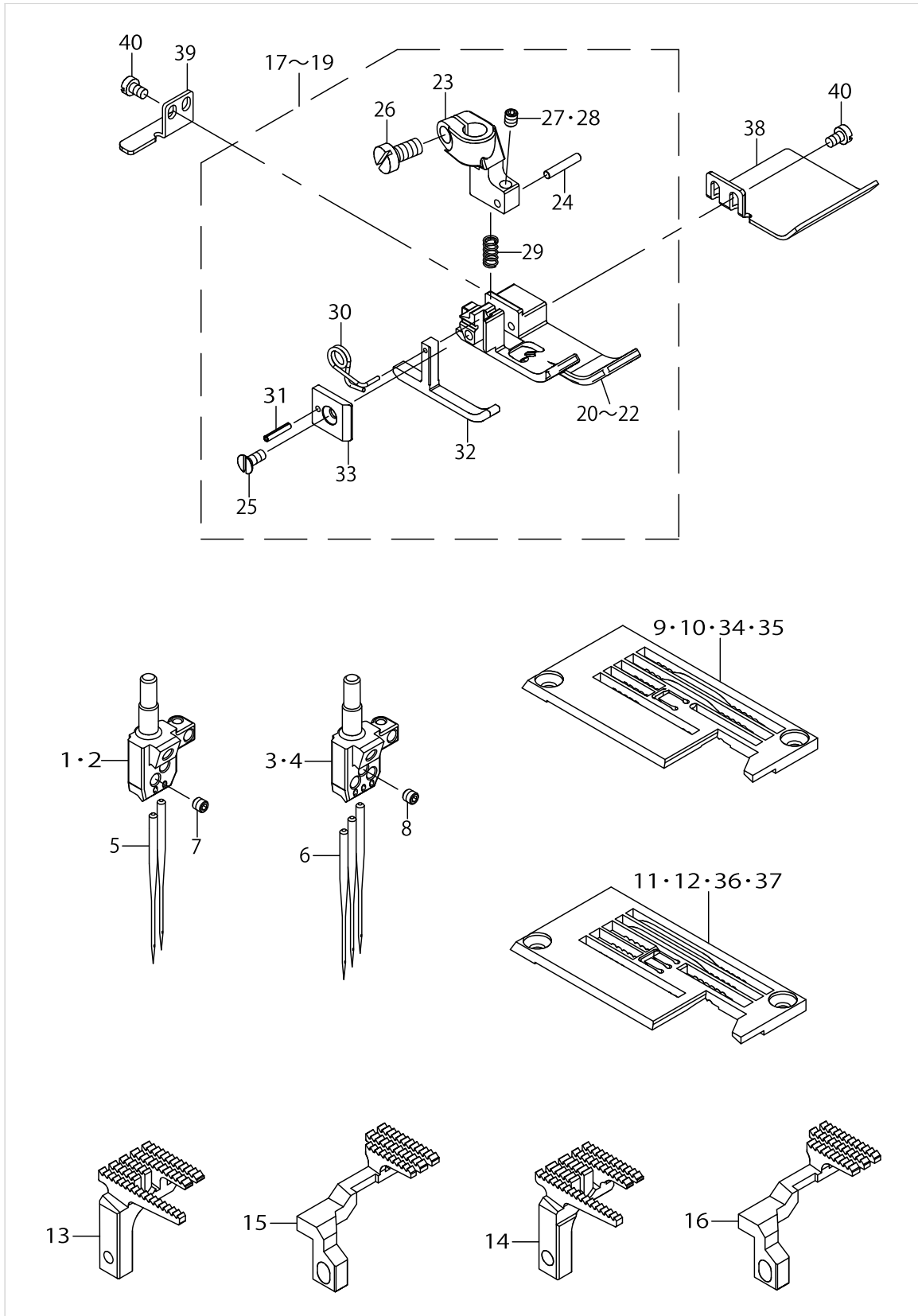
MISCELLANEOUS COVER COMPONENTS



MISCELLANEOUS COVER COMPONENTS

No.	Parts No.	Parts name	Remarks	Level	Cons	Qty
48	70001873	HEM_GUIDE_BASE				2
49	70001874	HEM_GUIDE				1
50	WP0430801SC	WASHER M4				2
51	SM4041255SP	SCREW M4 L=12				2
52	SM4040855SP	SCREW				6
53	70001414	SCREW				1
54	WS0510002KP	SPRING WASHER 5.1X9.2X1.3				1
55	13409800	DIFF_LINK_PIN				1
56	WP0531000SD	WASHER M5				4
57	SM6050800SP	SCREW M5 L=8				2
58	SM4041055SP	SCREW				1
59	NM6040000SN	NUT M4				1
60	70001673	LOOPER_THD_COVER				1
61	SM4040655SP	SCREW M4 L=6				2
62	70001436	HOUSING				1
63	SM6051602TP	SCREW M5X0.8 L=16				4
64	70001895	THROAT_PLATE_SUPPORT_COVER_S				1
65	SM1030400SP	SCREW M3 L=4				2
66	70001642	COVER_FOR_FEED_ADJUST				1
67	70001643	COVER_FOR_FEED_ADJUST_PACKING				1

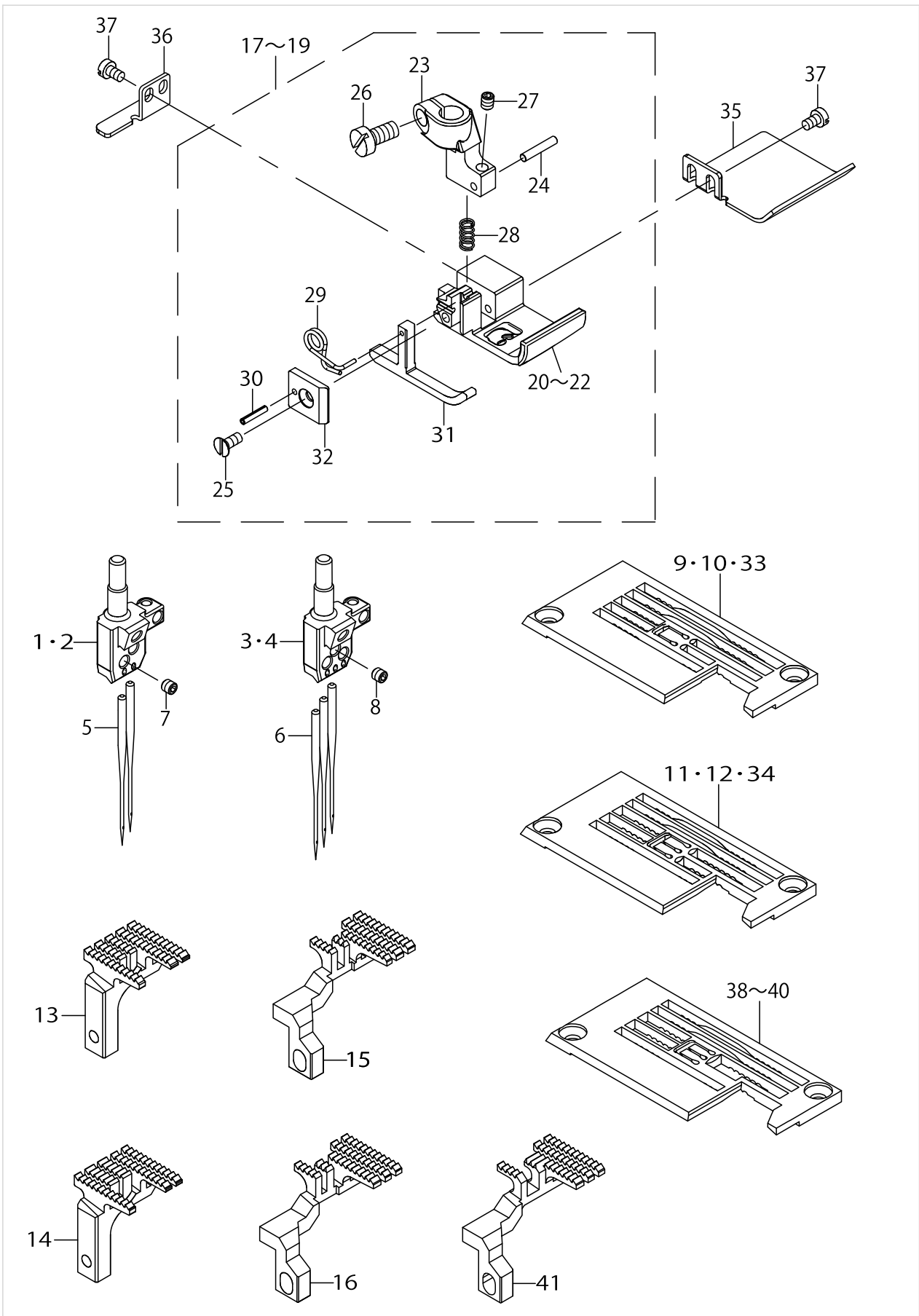
GAUGE COMPONENTS (FOR H22)



GAUGE COMPONENTS (FOR H22)

No.	Parts No.	Parts name	Remarks	Level	Cons	Qty
1	13350103	NEEDLE HEAD 40	FOR B40			1
2	13350509	NEEDLE HEAD 48	FOR B48			1
3	13350301	NEEDLE HEAD 56	FOR B56			1
4	13350400	NEEDLE HEAD 64	FOR B64			1
5	MUY128S1000	NEEDLE	FOR B40,B48			2
6	MUY128S1000	NEEDLE	FOR B56,B64			3
7	SM8030312TP	SCREW M3 L=3	FOR B40,B48			3
8	SM8030312TP	SCREW M3 L=3	FOR B56,B64			4
9	70001948	THROAT PLATE	FOR B40			1
10	70001949	THROAT PLATE	FOR B48			1
11	13445200	THROAT PLATE	FOR B56			1
12	13445309	THROAT PLATE	FOR B64			1
13	40069021	MAIN FEED DOG	FOR B40,B48			1
14	13431101	MAIN FEED DOG	FOR B56,B64			1
15	40069022	DIFF FEED DOG	FOR B40,B48			1
16	40069023	DIFF FEED DOG	FOR B56,B64			1
17	70001952	PRESSER FOOT ASSY	FOR B40			1
18	40032255	PRESSER FOOT ASSEMBLY 48	FOR B48			1
19	13467758	PRESSER FOOT ASSY	FOR B56,B64			1
20	70001951	PRESSER FOOT BOTTOM	FOR B40	*		1
21	13467600	PRESSER FOOT BOTTOM	FOR B48	*		1
22	40029648	PRESSER FOOT BOTTOM	FOR B56,B64	*		1
23	13467907	PRESSER FOOT SHANK		*		1
24	13375209	PIVOT PIN		*		1
25	SM1850600SP	SCREW		*		1
26	SM6040800SP	SCREW		*		1
27	SM8030402TP	SCREW M3X0.5 L=4		*		1
28	SM8030412TP	SCREW	FOR B48	*		1
29	13377106	SPRING		*		1
30	13375308	SPRING L		*		1
31	PS0150082KH	SPRING PIN		*		1
32	40029649	YIELDING SECTION		*		1
33	13468103	YIELDING SECTION PLATE		*		1
34	40069018	THROAT PLATE	FOR B40(OPTION TYPE D)			1
35	70001950	THROAT PLATE	FOR B48(OPTION TYPE D)			1
36	40069019	THROAT PLATE	FOR B56(OPTION TYPE D)			1
37	40069020	THROAT PLATE	FOR B64(OPTION TYPE D)			1
38	40038064	FABRIC GUIDE	ACCESSORY PARTS			1
39	40027899	FABRIC GUIDE	ACCESSORY PARTS			1
40	SM6850400SP	SCREW M2.5 L=4	ACCESSORY PARTS			4

GAUGE COMPONENTS (FOR H23)



GAUGE COMPONENTS (FOR H23)

No.	Parts No.	Parts name	Remarks	Level	Cons	Qty
1	13350103	NEEDLE_HEAD_40	FOR B40			1
2	13350509	NEEDLE_HEAD_48	FOR B48			1
3	13350301	NEEDLE_HEAD_56	FOR B56			1
4	13350400	NEEDLE_HEAD_64	FOR B64			1
5	MUY128S1000	NEEDLE	FOR B40,B48			2
6	MUY128S1000	NEEDLE	FOR B56,B64			3
7	SM8030312TP	SCREW M3 L=3	FOR B40,B48			3
8	SM8030312TP	SCREW M3 L=3	FOR B56,B64			4
9	40058639	THROAT_PLATE	FOR B40			1
10	13445101	THROAT_PLATE	FOR B48			1
11	40041203	THROAT_PLATE	FOR B56			1
12	40041204	THROAT_PLATE	FOR B64			1
13	40041249	MAIN_FEED_DOG	FOR B40,B48			1
14	40032900	MAIN_FEED_DOG	FOR B56,B64			1
15	40041233	DIFF_FEED_DOG	FOR B40,B48			1
16	40040376	DIFF_FEED_DOG	FOR B56,B64			1
17	40048637	PRESSER_FOOT_ASSY	FOR B40			1
18	40039796	PRESSER_FOOT_ASSY	FOR B48			1
19	40039794	PRESSER_FOOT_ASSY	FOR B56,B64			1
20	40048636	PRESSER_FOOT_BOTTOM	FOR B40	*		1
21	40039795	PRESSER_FOOT_BOTTOM	FOR B48	*		1
22	40038066	PRESSER FOOT BOTTOM	FOR B56,B64	*		1
23	13467907	PRESSER_FOOT_SHANK		*		1
24	13375209	PIVOT_PIN		*		1
25	SM1850600SP	SCREW		*		1
26	SM6040800SP	SCREW		*		1
27	SM8030412TP	SCREW		*		1
28	13377106	SPRING		*		1
29	13375308	SPRING_L		*		1
30	PS0150082KH	SPRING PIN		*		1
31	40038032	YIELDING SECTION		*		1
32	13468103	YIELDING_SECTION_PLATE		*		1
33	40035066	THROAT_PLATE	FOR B40(OPTION TYPE D)			1
34	40049944	THROAT_PLATE	FOR B56(OPTION TYPE D)			1
35	40038064	FABRIC GUIDE	ACCESSORY PARTS			1
36	40027899	FABRIC_GUIDE	ACCESSORY PARTS			1
37	SM6850400SP	SCREW M2.5 L=4	ACCESSORY PARTS			4
38	70001885	THROAT_PLATE_B56	FOR TURKEY			1
39	70001886	THROAT_PLATE_D56	FOR TURKEY			1
40	70004254	THROAT_PLATE	FOR TURKEY			1
41	70001887	DIFF_FEED_DOG	FOR TURKEY			1

HOW TO MAKE USE OF THIS PARTS LIST

- 1.As to "#01" and "#02" refer to the "Note" given at the bottom of the respective pages.
- 2.Codes on the "Qty" column
 - Each numeral indicates the number of parts required.
 - "0.1" and "2.5" indicate the length (in meters) of the respective parts.
- 3.Parentheses mean that the corresponding part is a subpart that constructs an assembly part.
- 4.Dotted lines on the Figures indicate assembly parts.

1. リストページの# 0 1、# 0 2の印は、ページ下の"注記"の説明を参照下さい。
2. 数量欄の数字は、個数を表し、0. 1、2. 5等の数値は、長さ（単位メートル）を表します。
3. 数量欄の（ ）は、組部品を構成している子部品であることを意味します。
4. イラストページの-----枠は、組構成であることを意味します。

ALL PARTS NOT MENTIONED IN THIS PARTS LIST ARE SAME AS THOSE OF
MODEL MF-7900. OTHER PARTS LIST RELATED TO THIS MODEL.
*MF-7900 (NO.1599 PART NO.70002009)

このパーツリスト記載以外の部品はMF-7900と共通です。
この機種に関連するパーツリストとして下記のパーツリストがあります。
*MF-7900 (NO.1599 品番70002009)

NUMERICAL INDEX OF PARTS

PART NO	PAGE	REF NO.	PART NO	PAGE	REF NO.	PART NO	PAGE	REF NO.
13301809	6	33	40029649	10	32	70001661	6	10
13301908	2	4	40032255	10	17~19	70001662	6	23
13302203	6	20	40032900	12	14	70001663	6	24
13302302	2	14	40035066	12	9·10·33	70001668	6	29
13302302	6	35	40038032	12	31	70001670	6	30
13302500	2	5	40038064	10	38	70001673	8	60
13350103	10	1·2	40038064	12	35	70001851	2	1
13350103	12	1·2	40038066	12	20~22	70001853	2	33
13350301	10	3·4	40039794	12	17~19	70001854	2	34
13350301	12	3·4	40039795	12	20~22	70001855	2	27
13350400	10	3·4	40039796	12	17~19	70001856	2	19
13350400	12	3·4	40039915	4	55	70001857	2	20
13350509	10	1·2	40040211	2	12	70001858	2	25
13350509	12	1·2	40040306	2	36	70001860	2	39
13375209	10	24	40040309	4	52	70001861	2	43
13375209	12	24	40040376	12	16	70001863	2	6
13375308	10	30	40040711	2	32	70001864	2	7
13375308	12	29	40041203	12	11·12·34	70001865	6	12
13377106	10	29	40041204	12	11·12·34	70001866	6	1
13377106	12	28	40041233	12	15	70001868	6	3
13401906	6	5	40041249	12	13	70001869	2	45
13402003	6	27	40042319	2	30	70001870	6	34
13402706	6	40	40042374	4	65	70001872	6	38
13403605	4	50	40042378	2	29	70001873	8	48
13409800	8	55	40043800	4	64	70001874	8	49
13413703	4	56	40043815	4	62	70001875	6	45
13413802	4	53	40043839	4	61	70001877	4	59·60
13413901	4	54	40048636	12	20~22	70001878	4	59·60
13431101	10	14	40048637	12	17~19	70001880	4	57·58
13445101	12	9·10·33	40049944	12	11·12·34	70001881	4	57·58
13445200	10	11·12·36- ·37	40058639	12	9·10·33	70001885	12	38~40
13445309	10	11·12·36- ·37	40069018	10	9·10·34·35	70001886	12	38~40
13461207	2	22	40069019	10	11·12·36- ·37	70001887	12	41
13461306	2	15	40069020	10	11·12·36- ·37	70001888	6	42
13461504	2	17	40069021	10	13	70001889	2	44
13467600	10	20~22	40069022	10	15	70001890	6	13
13467758	10	17~19	40069023	10	16	70001895	8	64
13467907	10	23	40082196	6	18	70001948	10	9·10·34·35
13467907	12	23	70001414	8	53	70001949	10	9·10·34·35
13468103	10	33	70001436	8	62	70001950	10	9·10·34·35
13468103	12	32	70001642	8	66	70001951	10	20~22
40027899	10	39	70001643	8	67	70001952	10	17~19
40027899	12	36	70001648	6	36	70004254	12	38~40
40029648	10	20~22	70001655	6	2	CQ303000000	4	49
						CS0800881TP	2	37

NUMERICAL INDEX OF PARTS

PART NO	PAGE	REF NO.	PART NO	PAGE	REF NO.
EA9500B0100	4	48	SM6850400SP	10	40
MUY128S1000	10	6	SM6850400SP	12	37
MUY128S1000	12	6	SM8030312TP	10	8
NM6040000SN	6	59	SM8030312TP	12	8
NM6040000SN	8	59	SM8030402TP	10	27·28
NM6050001SP	2	24	SM8030412TP	10	27·28
PC012601000	4	51	SM8030412TP	12	27
PH0150065C0	2	42	SM8040360TP	6	41
PH0300252C0	6	7	SM8040412TP	2	18
PH0400185S0	2	8	SM8040412TP	6	37
PS0150082KH	10	31	SM8041012TP	6	16
PS0150082KH	12	30	SM8050412TP	2	38
RO037180100	6	9	SM8050612TP	2	28
RO437200200	2	2	SM8060552TP	2	16
SM1030400SP	8	65	TA0980502R0	6	26
SM1030501SN	6	31	WP0430801SC	2	46
SM1040650TP	2	9	WP0430801SC	6	50
SM1040800SP	6	39	WP0430801SC	8	50
SM1040860SP	6	28	WP0450801SC	2	11
SM1850600SP	10	25	WP0531000SD	8	56
SM1850600SP	12	25	WP0550800SP	2	23
SM4030655SP	2	41	WP0820516SP	2	35
SM4040655SP	2	47	WS0510002KP	8	54
SM4040655SP	6	61			
SM4040655SP	8	61			
SM4040855SP	6	52			
SM4040855SP	8	52			
SM4041055SP	4	63			
SM4041055SP	6	58			
SM4041055SP	8	58			
SM4041255SP	8	51			
SM4042055SP	6	11			
SM6030500SN	2	21			
SM6030600SP	2	13			
SM6040450TP	6	47			
SM6040750TP	6	22			
SM6040800SP	2	10			
SM6040800SP	6	25			
SM6040800SP	10	26			
SM6040800SP	12	26			
SM6050800SP	8	57			
SM6051000SP	2	40			
SM6051400SP	2	3			
SM6051602TP	8	63			
SM6850400SP	6	43			