

MODEL : MF-7900 Series

List No : 1598-03

# PARTS LIST

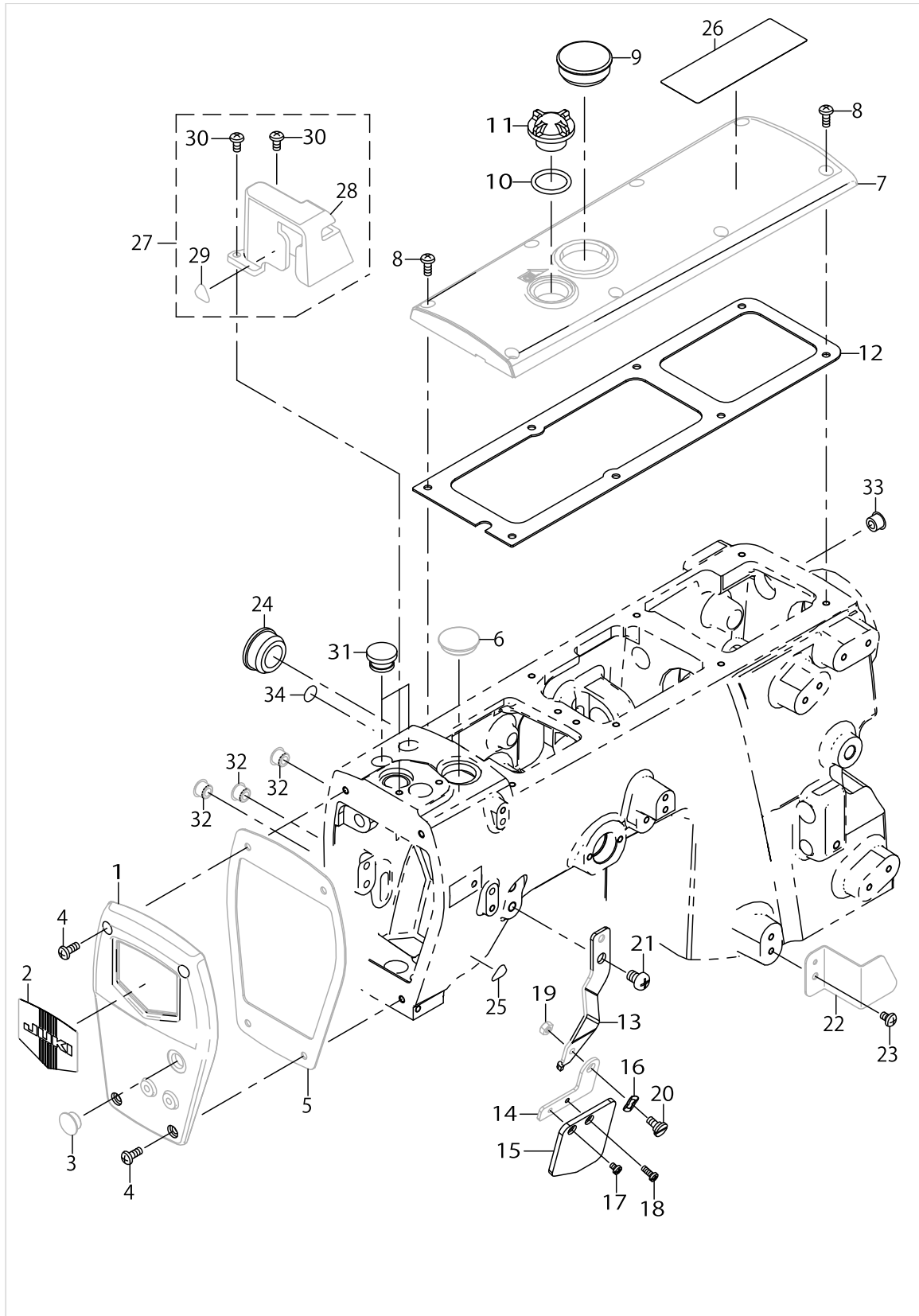
Published:09/10/2017

## CONTENTS

---

MISCELLANEOUS COVER COMPONENTS (1).....	1
MISCELLANEOUS COVER COMPONENTS (2).....	3
MAIN SHAFT COMPONENTS .....	7
NEEDLE BAR & PRESSER COMPONENTS.....	11
FEED DRIVE COMPONENTS (1) .....	15
FEED DRIVE COMPONENTS (2) .....	21
THREAD TAKE-UP LEVER COMPONENTS.....	23
SPREADER COMPONENTS.....	27
LOWER THREAD CAM COMPONENTS.....	29
NEEDLE GUARD COMPONENTS .....	31
LOOPER COMPONENTS .....	33
THREAD TENSION COMPONENTS .....	37
LUBRICATION COMPONENTS .....	39
THREAD STAND COMPONENTS.....	45
NEEDLE COOLING COMPONENTS .....	47
GAUGE PARTS COMPONENTS .....	49
ACCESSORIES PARTS COMPONENTS .....	53
OPTIONAL PARTS COMPONENTS .....	57
LIST FOR INFORMATION OF CHANGE.....	59
HOW TO MAKE USE OF THIS PARTS LIST .....	60

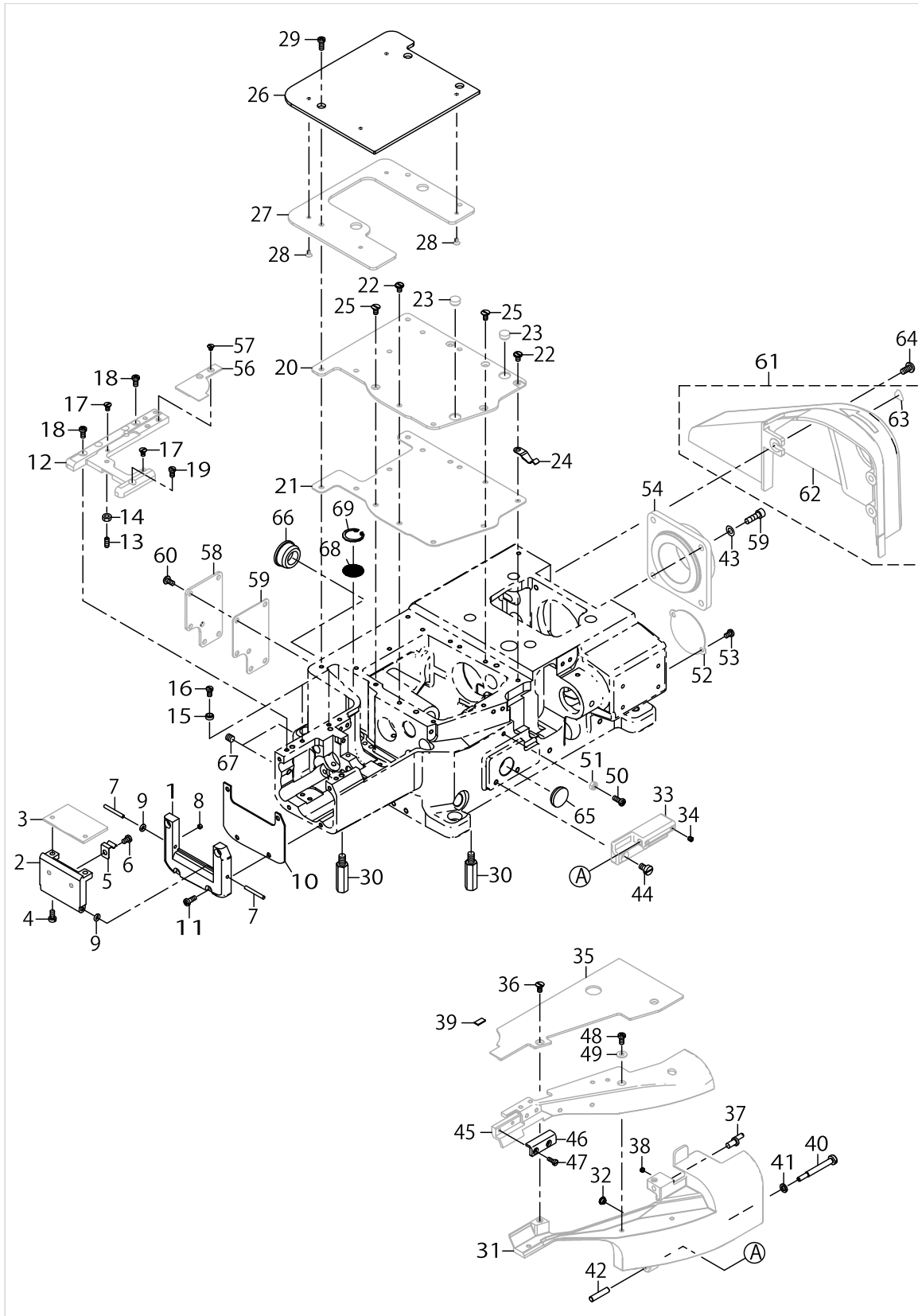
MISCELLANEOUS COVER COMPONENTS (1)



MISCELLANEOUS COVER COMPONENTS (1)

No.	Parts No.	Parts name	Remarks	Level	Cons	Qty
1	70001411	FACE COVER				1
2	22902506	PLATE				1
3	TA1050504R0	RUBBER PLUG				1
4	SM4041055SP	SCREW			☆	4
5	70001416	GASKET H				1
6	TA2050406R0	RUBBER PLUG				1
7	70001409	TOP COVER				1
8	SM4041055SP	SCREW				8
9	10753309	WINDOW PLATE RUBBER PLUG				1
10	RO195240100	O-RING				1
11	22924708	OIL SIGHT WINDOW				1
12	13300801	GASKET T				1
13	70001421	BRACKET HOLDER				1
14	40033341	BRACKET				1
15	13301700	PROTECTION SHIELD				1
16	WZ0641510KP	WAVED WASHER 6.4X11X0.3				1
17	SM4030455SN	SCREW				1
18	SM4030855SN	SCREW M3 L=8.0				1
19	NM6040000SN	NUT M4				1
20	SD0640246SP	SHOULDER SCREW D=6.35 H=2.4				1
21	SM4060801SE	SCREW				1
22	70001677	THREAD_COVER				1
23	SM4040655SP	SCREW M4 L=6				1
24	TA2351004R0	RUBBER PLUG				1
25	CM301300001	SAFETY LABEL				1
26	CM300200001	ATTENTION SEAL				1
27	70001837	NEEDLE BAR GUARD ASSY				1
28	70001407	NEEDLE BAR GUARD		*		1
29	CM300200001	FINGER INJURY CAUTION LABEL (16)		*		1
30	SM4040855SP	SCREW		*		2
31	TA1250705R0	RUBBER PLUG				2
32	TA0850604R0	RUBBER PLUG				3
33	TA0850604R0	RUBBER PLUG				1
34	22901805	GROUND MARK				1

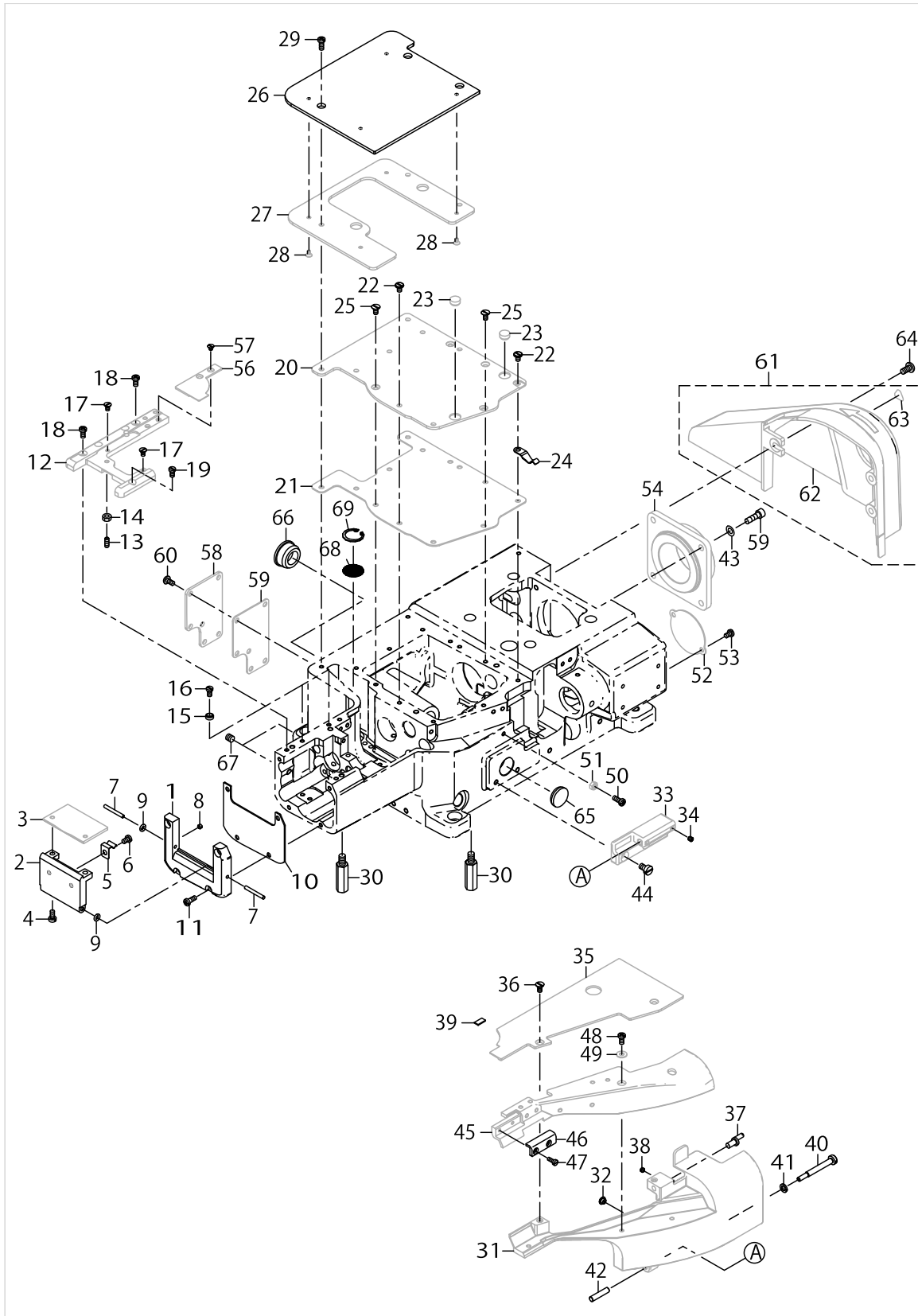
MISCELLANEOUS COVER COMPONENTS (2)



MISCELLANEOUS COVER COMPONENTS (2)

No.	Parts No.	Parts name	Remarks	Level	Cons	Qty
1	70001657	CYLINDER COVER				1
2	70001655	SIDE COVER BOTTOM				1
3	70001653	SIDE COVER UPPER				1
4	SM6040800SP	SCREW				2
5	13401906	LATCH SPRING 2				1
6	SM4040655SP	SCREW M4 L=6				1
7	PH0300252C0	PARALLEL PIN TYPE B 3X25				2
8	SM8040360TP	SCREW				2
9	RO037180100	RUBBER RING				2
10	70001661	GASKET				1
11	SM4041055SP	SCREW				4
12	70001667	THROAT PLATE SUPPORT				1
13	SM8041012TP	SCREW M4 L=10				1
14	NM6040000SN	NUT M4				1
15	40082196	ADJUSTING COLLAR			☆	2
16	SM6040750TP	SCREW M4 L=7			☆	2
17	13302203	SCREW				2
18	SM4040855SP	SCREW				2
19	SM6040750TP	SCREW M4 L=7				1
20	70004366	COVER_PLATE				1
21	70001663	GASKET B				1
22	SM6040800SP	SCREW				6
23	TA0980502R0	RUBBER PLUG				2
24	13402003	LATCH SPRING			☆	1
25	SM1040860SP	SCREW				4
26	70001668	CLOTH PLATE REAR				1
27	70001670	CLOTH PLATE REAR LOWER				1
28	SM1030501SN	SCREW				2
29	SM4041055SP	SCREW				3
30	13301809	SUPPORT STUD				4
31	70001650	SWING DOWN COVER				1
32	13302302	RUBBER BUMPER				1
33	70004374	HINGE				1
34	SM8040412TP	SET SCREW M4 L=4				2
35	70001671	CLOTH PLATE FRONT				1
36	SM1040800SP	SCREW				2
37	13402706	PIN FOR COVER				1
38	SM8040360TP	SCREW				1
39	13403605	RUBBER_PLATE				1
40	70001414	SCREW				1
41	WS0510002KP	SPRING WASHER 5.1X9.2X1.3				1
42	13409800	DIFF LINK PIN				1
43	WP0531000SD	WASHER M5				4
44	SM6050800SP	SCREW M5 L=8				2
45	70001652	BRACKET				1
46	70001678	BRACKET				1
47	SM6030800SP	SCREW M3X0.5 L=8			☆	2

MISCELLANEOUS COVER COMPONENTS (2)

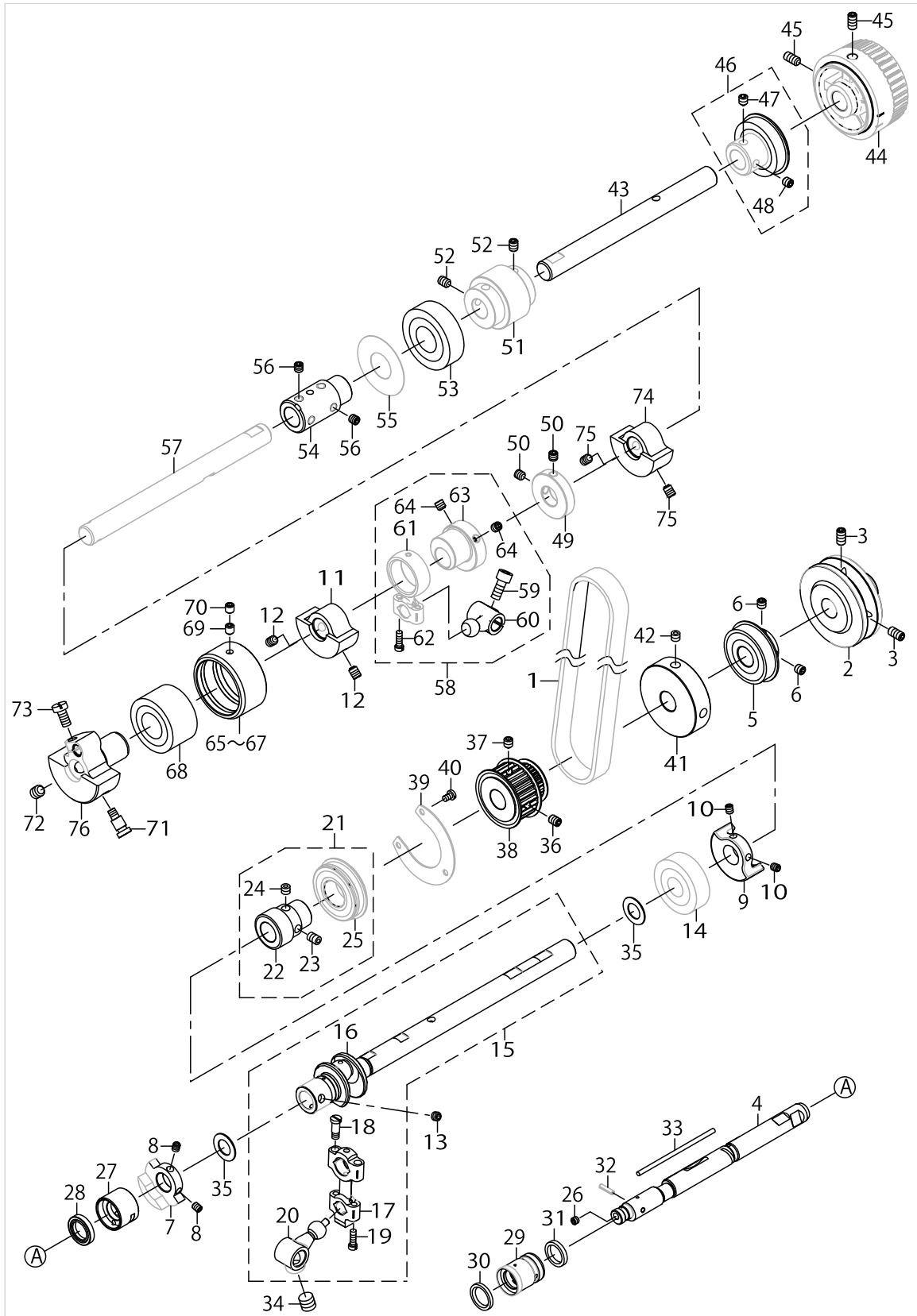


MISCELLANEOUS COVER COMPONENTS (2)

No.	Parts No.	Parts name	Remarks	Level	Cons	Qty
48	SM4040855SP	SCREW			☆	2
49	WP0450801SC	WASHER 4.5X10X0.8				2
50	SM4041055SP	SCREW				1
51	NM6040000SN	NUT M4				1
52	70004372	LOOPER_THD_COVER				1
53	SM4040655SP	SCREW M4 L=6				2
54	70001436	HOUSING				1
55	SM6051602TP	SCREW M5X0.8 L=16				4
56	70001645	THROAT PLATE SUPPORT COVER				1
57	SM1030400SP	SCREW M3 L=4				2
58	70001642	COVER FOR FEED ADJUST				1
59	70001643	COVER FOR FEED ADJUST PACKING				1
60	SM4040855SP	SCREW				6
61	70001831	DRIVING BELT COVER ASSY				1
62	70001830	DRIVING BELT COVER		*		1
63	CM300200001	ATTENTION SEAL		*		1
64	SM4051055SP	SCREW				1
65	TA2000502R0	RUBBER PLUG				1
66	TA2351004R0	RUBBER PLUG				1
67	SM8060612TP	SCREW M6 L=6				2
68	13426903	MESH PLATE				1
69	RC1900002KP	C-RING				1



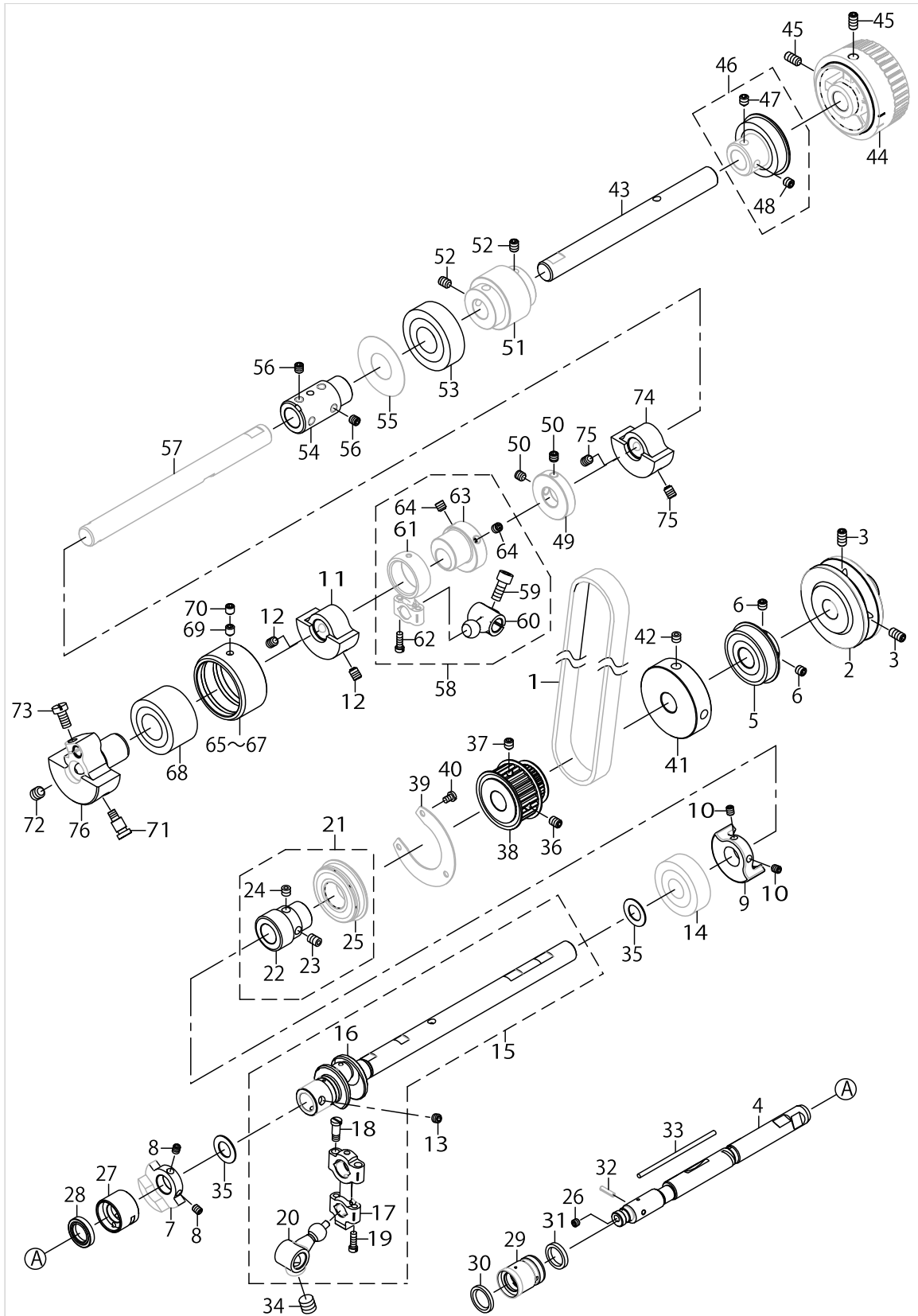
# MAIN SHAFT COMPONENTS



MAIN SHAFT COMPONENTS

No.	Parts No.	Parts name	Remarks	Level	Cons	Qty
1	70004636	TIMING_BELT				1
2	13406707	LOWER_PULLEY				1
3	SM8061212TP	SCREW M6X12				2
4	70001681	LOWER_MAINSHAFT_LEFT				1
5	70004640	COUPLING_E_ASSY				1
6	SM8060612TP	SCREW M6 L=6				2
7	13408406	BALANCE WEIGHT LMS 1				1
8	SM8050612TP	SCREW M5X6				2
9	13408505	BALANCE WEIGHT LMS 2				1
10	SM8050612TP	SCREW M5X6				2
11	13408307	BALANCE_WEIGHT_UMS	FOR PL11,PL12			1
12	SM8060812TP	SCREW M6 L=8	FOR PL11,PL12			2
13	SM8060552TP	SCREW M6 L=5				2
14	SB115002300	BEARING				1
15	70001680	LMS RIGHT ROD ASSY				1
16	70001687	LMS RIGHT		*		1
17	70001685	LOOPER ROD		*		1
18	SD055090CTP	SHOULDER SCREW D=5.5 H=9		*		2
19	13324108	SCREW		*		2
20	70001686	CRANK		*		1
21	70004489	LMS_WORM_ASSY				1
22	13308507	COUPLING D		*		1
23	SM8060552TP	SCREW M6 L=5		*		2
24	SM8060842TP	SCREW M6 L=8		*		1
25	70004484	BEARING		*		1
26	SM8050412TP	SCREW M5 L=4				1
27	70001682	BUSHING LMS MIDDLE				1
28	13408703	OIL SEAL				1
29	70001683	BUSHING LMS LEFT				1
30	13407903	OIL SEAL				1
31	13408604	FELT LMS LEFT BUSH				1
32	PS0300122KH	SPRING PIN 3X12				1
33	CQ300000001	OIL WICK				0.075
34	SM8550952TP	SCREW				1
35	40017824	LOOPER LOD STOPPER				2
36	SM8060812TP	SCREW M6 L=8				1
37	SM8060842TP	SCREW M6 L=8				1
38	70004184	LMS SPROCKET				1
39	70001451	THRUST PLATE				1
40	SM4040655SP	SCREW M4 L=6				3
41	70003316	FLY_WHEEL				1
42	SM8060612TP	SCREW M6 L=6				2
43	70001437	UPPER MAINSHAFT RIGHT				1
44	70001439	UPPER_PULLEY				1
45	SM8061212TP	SCREW M6X12				2
46	13307251	BEARING ASSY A				1
47	SM8060842TP	SCREW M6 L=8		*		1

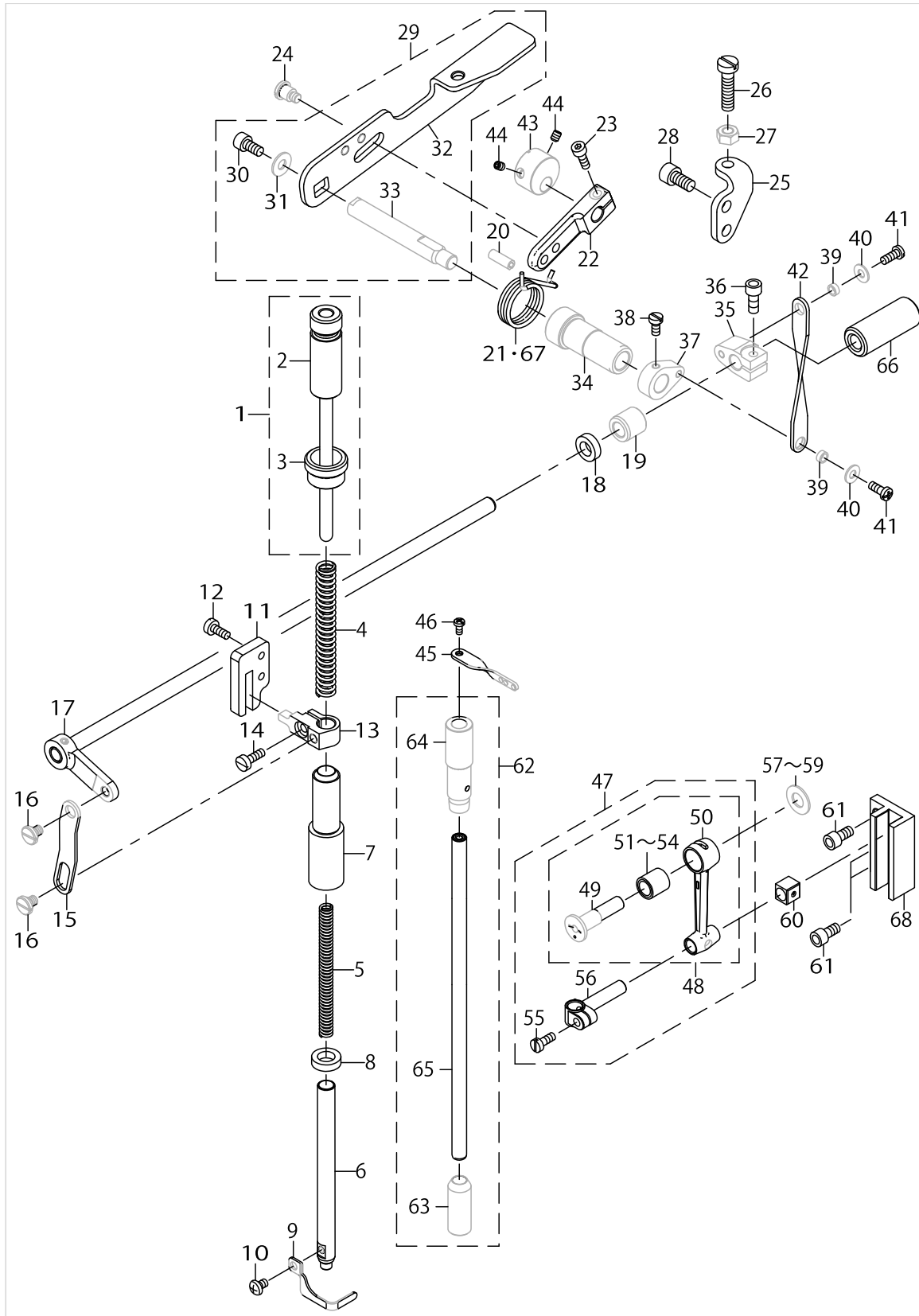
# MAIN SHAFT COMPONENTS



MAIN SHAFT COMPONENTS

No.	Parts No.	Parts name	Remarks	Level	Cons	Qty
48	SM8060612TP	SCREW M6 L=6		*		1
49	70001443	COLLAR				1
50	SM8060612TP	SCREW M6 L=6				2
51	13307301	UMS SPROCKET				1
52	SM8060812TP	SCREW M6 L=8				4
53	SB120002200	BEARING				1
54	70001440	COUPLING B				1
55	70001638	BEARING COVER PLATE				1
56	SM8060612TP	SCREW M6 L=6				4
57	70001441	UPPER MAINSHAFT LEFT				1
58	70001442	TAKE UP ROD ASSY				1
59	SM6061402TP	SCREW M6 L=14		*		1
60	70001535	CRANK		*		1
61	70001536	ROD		*		1
62	13324108	SCREW		*		2
63	70001444	TAKE UP ECCENTRIC		*		1
64	SM8060612TP	SCREW M6 L=6		*		2
65	13307806	HOUSING A	SELECTIVE PARTS			1
66	13309307	HOUSING B	SELECTIVE PARTS			1
67	13309406	HOUSING C	SELECTIVE PARTS			1
68	SB120001900	BEARING				1
69	SM8060842TP	SCREW M6 L=8				1
70	SM8060612TP	SCREW M6 L=6				1
71	13309208	SCREW FOR COUNTERWEIGHT				1
72	SM8080812TP	SCREW M8X8				1
73	SM6061200SP	SCREW				1
74	13307707	COUNTER WEIGHT	EXCEPT PL11,PL12			1
75	13408307	BALANCE WEIGHT UMS	EXCEPT PL11,PL12			1
76	SM8060812TP	SCREW M6 L=8				2

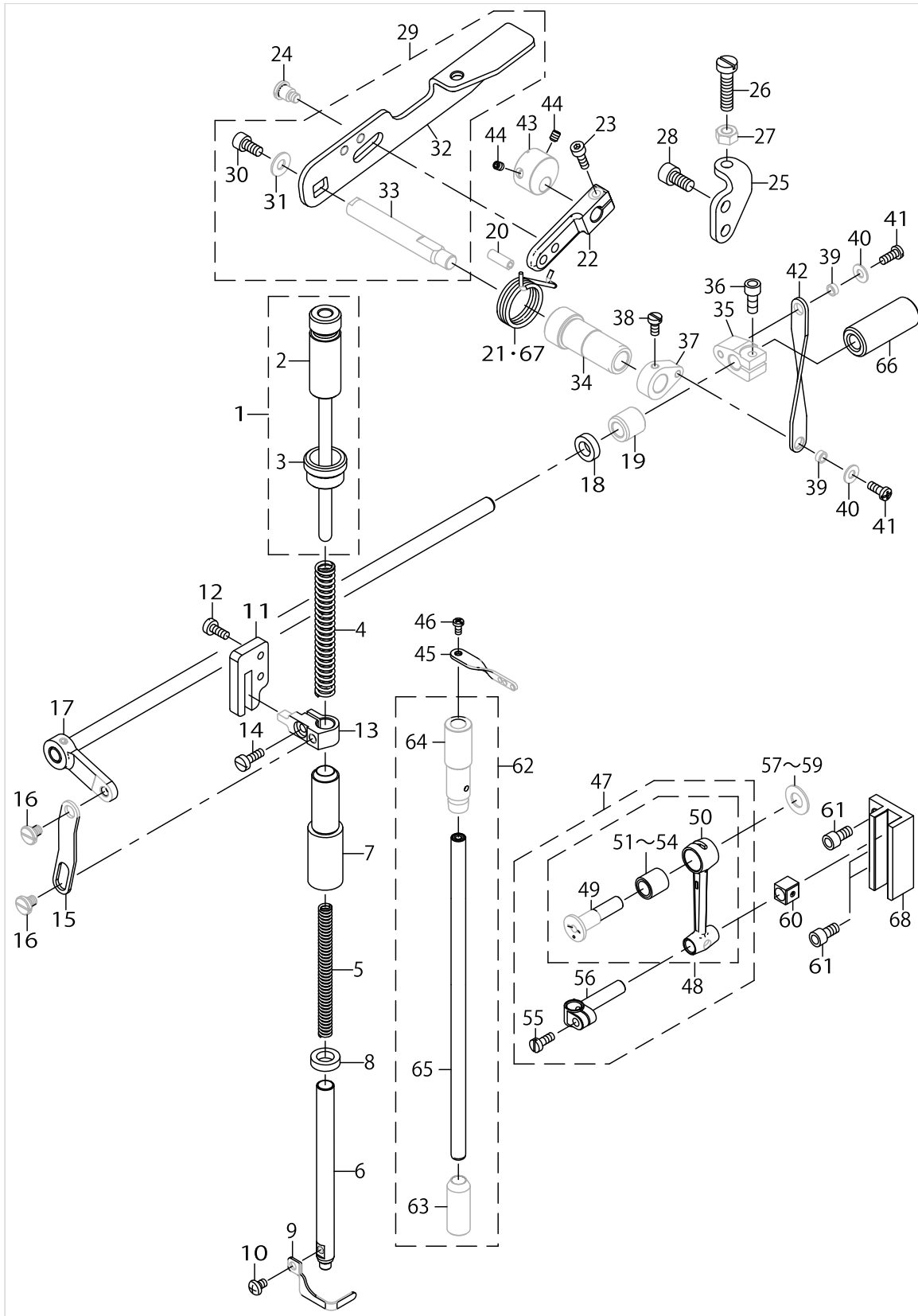
# NEEDLE BAR & PRESSER COMPONENTS



NEEDLE BAR & PRESSER COMPONENTS

No.	Parts No.	Parts name	Remarks	Level	Cons	Qty
1	40070574	ADJ SCREW P B NUT ASSY				1
2	40070573	ADJ SCREW P B ASSY		*		1
3	13313101	LOCKING NUT		*		1
4	13313309	SPRING PRESSER BAR A				1
5	70001480	SPRING PRESSER BAR B				1
6	70001481	PRESSER BAR				1
7	70001499	BUSHING_PRESSER_BAR				1
8	13315908	OIL SEAL				1
9	70001483	FINGER GUARD				1
10	SM4040655SP	SCREW M4 L=6			☆	1
11	13313804	GUIDE PLATE				1
12	SM6041000SP	SCREW M4 L=10				2
13	70001485	PRESSER BAR BRACKET				1
14	SM6041200SP	SCREW M4 L=12				1
15	13314109	LINK				1
16	SD0700206TP	SHOULDER SCREW D=7 H=2				2
17	13314356	ASSY LIFTER SHAFT				1
18	23537202	HOOK SHAFT OIL SEAL				1
19	70001486	BUSHING LIFTER FRONT				1
20	PS0500142KP	SPRING PIN TYPE W 5X14				1
21	70001498	SPRING LIFTER LEVER	EXCEPT UT52			1
22	70001494	TENSION RELEASE LEVER				1
23	SM6041202TP	SCREW M4X0.7 L=12				1
24	SD0700586TP	SHOULDER SCREW D=7 H=5.8				1
25	70001495	LIFTER LEVER STOPPER				1
26	SM6062550TP	SCREW M6 L=25			☆	1
27	NM6060001CP	NUT M6X1 TYPE1				1
28	SM6061202TP	SCREW M6 L=12				2
29	70001487	LIFTER LEVER ASSY				1
30	SM6051002TP	SCREW M5X0.8 L=10		*		1
31	WP0551016SH	WASHER 5.5X13X1		*		1
32	70001488	LIFTER LEVER		*		1
33	70001489	LIFTER LEVER SHAFT		*		1
34	70001490	BUSHING LIFTER LEVER				1
35	70001478	LIFTER SHAFT LEVER				1
36	SM6051202TP	SCREW M5X0.8 L=12				1
37	70001477	LIFTER LEVER COLLAR				1
38	SM6040800SP	SCREW				1
39	70001491	SPACER				2
40	WP0450826SC	WASHER 4.5X10X0.8				2
41	SM4041055SP	SCREW				2
42	70001492	LIFTER LEVER LINK				1
43	70001493	MINUTES LIFTING COLLAR				1
44	SM8040512TP	SCREW				2
45	13326806	NEEDLE BAR EYELET				1
46	SM4030855SN	SCREW M3 L=8.0				1
47	13311253	ASSY NEEDLE MECH				1

# NEEDLE BAR & PRESSER COMPONENTS

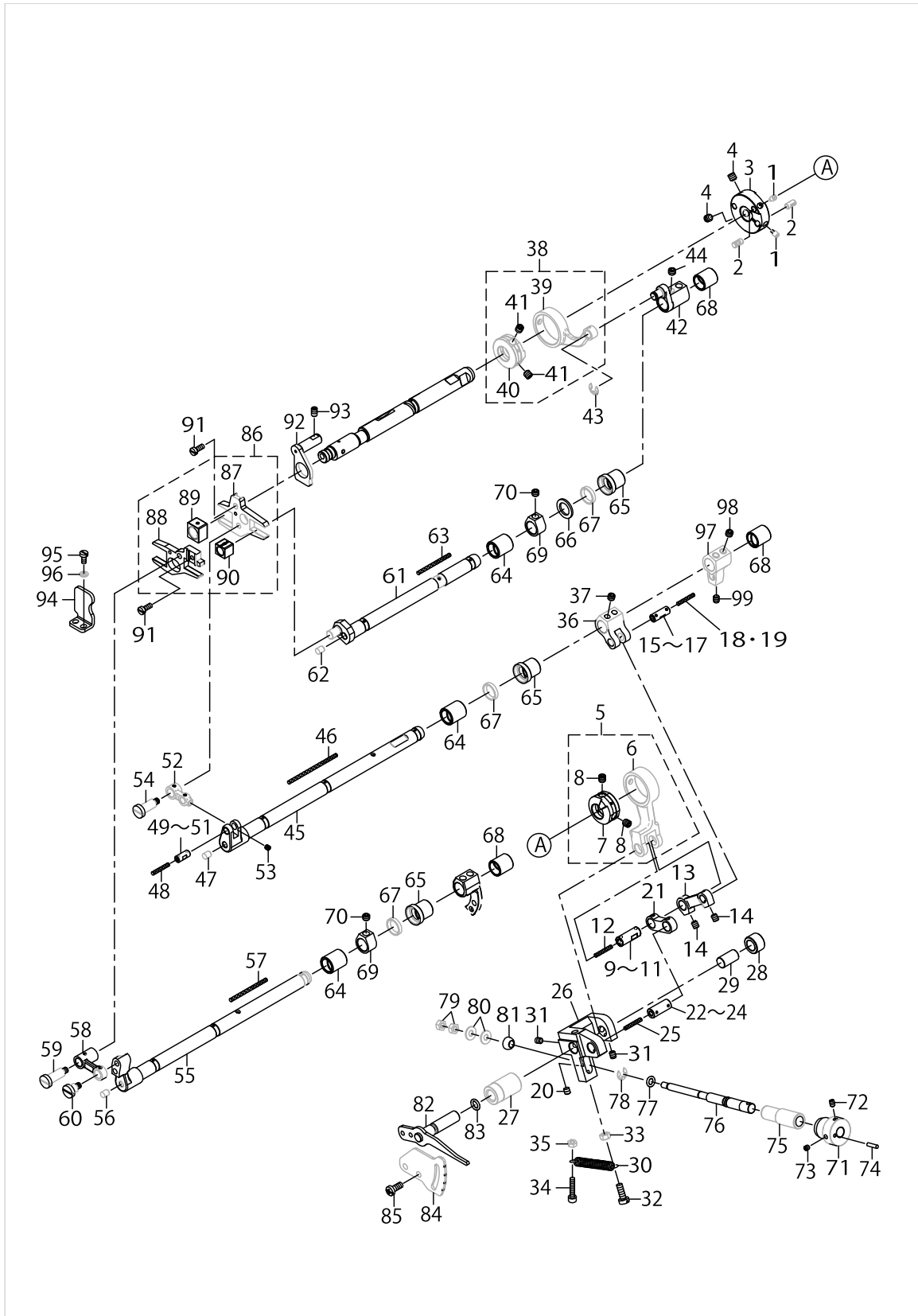


NEEDLE BAR & PRESSER COMPONENTS

No.	Parts No.	Parts name	Remarks	Level	Cons	Qty
48	70004371	ASSY_CONNECTING_ROD		*		1
49	13311006	ECCENTRIC PIN		*		1
50	13311204	CONNECTING ROD		*		1
51	SB30800110A	BEARING	SELECTIVE PARTS	*		1
52	SB30800110B	BEARING	SELECTIVE PARTS	*		1
53	SB30800110C	BEARING	SELECTIVE PARTS	*		1
54	SB30800110D	BEARING	SELECTIVE PARTS	*		1
55	SM6041000SP	SCREW M4 L=10		*		1
56	13311303	NEEDLE BAR CLAMP		*		1
57	13312103	THRUST WASHER	SELECTIVE PARTS			1
58	13312202	THRUST WASHER	SELECTIVE PARTS			1
59	13312301	THRUST WASHER	SELECTIVE PARTS			1
60	13311501	SLIDE BLOCK				1
61	SM6051202TP	SCREW M5X0.8 L=12				3
62	13311956	ASSY BUSHING NB				1
63	13311907	BUSHING NB LOWER		*		1
64	13311808	BUSHING NB UPPER		*		1
65	13311451	NEEDLE BAR ASSY		*		1
66	70001500	BUSHING LIFTER REAR				1
67	13315205	SPRING LIFTER LEVER	FOR UT52			1
68	13311600	NEEDLE BAR GUIDE				1



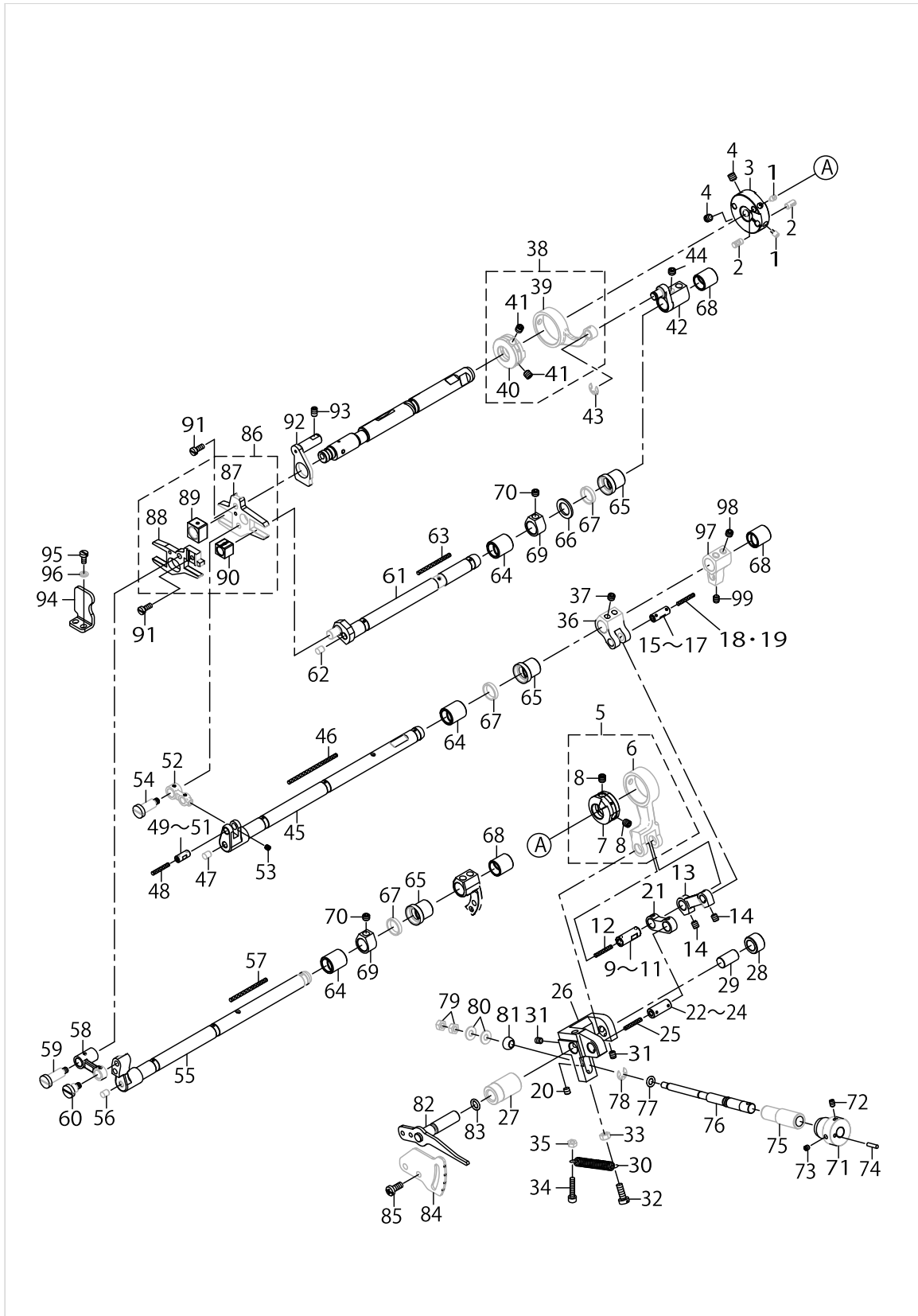
FEED DRIVE COMPONENTS (1)



FEED DRIVE COMPONENTS (1)

No.	Parts No.	Parts name	Remarks	Level	Cons	Qty
1	70001524	FEED ECCENTRIC SCREW				2
2	70001525	FEED ECCENTRIC PIN				2
3	70001697	POSITIONING CAM				1
4	SM8060612TP	SCREW M6 L=6				2
5	70001720	FEED ECCENTRIC HORIZON				1
6	70001700	CRANK ROD		*		1
7	70001715	FEED ECCENTRIC HORIZON		*		1
8	SM8060612TP	SCREW M6 L=6		*		2
9	13323308	FEED ADJ LINK PIN A	SELECTIVE PARTS			1
10	13323407	FEED ADJ LINK PIN B	SELECTIVE PARTS			1
11	13323506	FEED ADJ LINK PIN C	SELECTIVE PARTS			1
12	CQ303000000	OIL WICK				0.07
13	13410204	MAIN ADJ LINK				1
14	SM8050612TP	SCREW M5X6				2
15	13318704	MAIN FEED CRANK PIN A	SELECTIVE PARTS			1
16	13318803	MAIN FEED CRANK PIN B	SELECTIVE PARTS			1
17	13318902	MAIN FEED CRANK PIN C	SELECTIVE PARTS			1
18	CQ202000000	OIL WICK				0.02
19	CQ303000000	OIL WICK				0.04
20	SM8050612TP	SCREW M5X6				1
21	13317300	ADJUST LINK				1
22	13410600	FEED ADJ LINK PIN A	SELECTIVE PARTS			1
23	13410709	FEED ADJ LINK PIN B	SELECTIVE PARTS			1
24	13410808	FEED ADJ LINK PIN C	SELECTIVE PARTS			1
25	CQ303000000	OIL WICK				0.07
26	13415708	FEED ADJ BLOCK				1
27	70001702	BUSHING MAIN FEED ADJ				1
28	70001703	BUSHING MAIN FEED ADJ				1
29	13415906	SHAFT FEED ADJ BLOCK				1
30	B2546232000	PRESSURE SPRING				1
31	SM8050612TP	SCREW M5X6				4
32	SM6051400SP	SCREW				1
33	NM6050001SC	NUT M5X0.8 TYPE1				1
34	SM6042002TP	SCREW M4X0.7 L=20				1
35	NM6040000SN	NUT M4				1
36	13411509	MAIN FEED CRANK				1
37	SM8060552TP	SCREW M6 L=5				2
38	70001721	FEED ECCENTRIC VERTICAL				1
39	70001701	FEED LIFT ROD		*		1
40	70001716	FEED ECCENTRIC VERTICAL		*		1
41	SM8060612TP	SCREW M6 L=6		*		2
42	13414404	FEED LIFT LEVER				1
43	RE0500000K0	E-RING				1
44	SM8060552TP	SCREW M6 L=5				2
45	70001765	MAIN FEED SHAFT				1
46	CQ300000001	OIL WICK				1.5
47	TA0500601M0	PLUG D=5X5.4 L=6				1

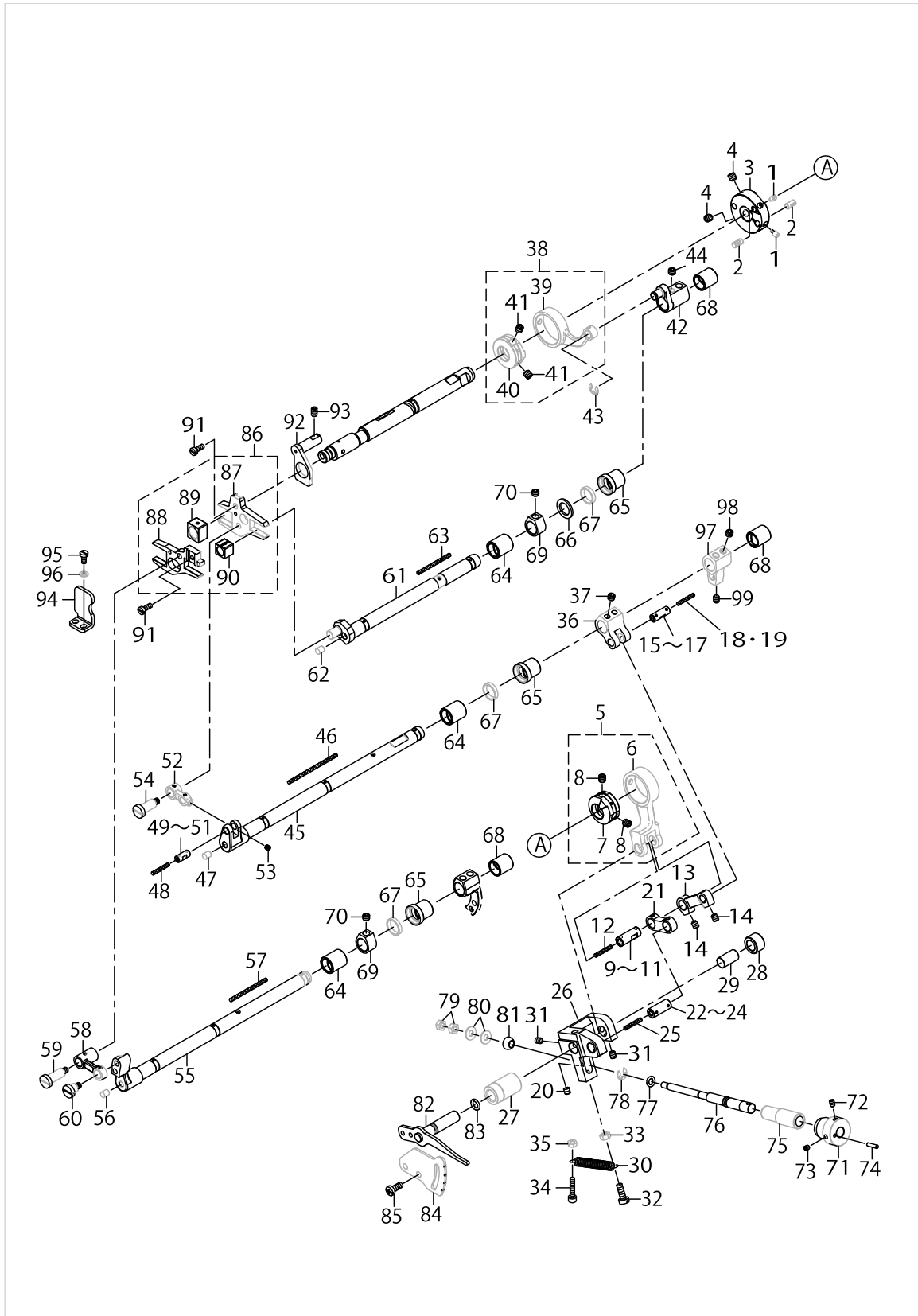
FEED DRIVE COMPONENTS (1)



FEED DRIVE COMPONENTS (1)

No.	Parts No.	Parts name	Remarks	Level	Cons	Qty
48	CQ200000000	OIL WICK				0.07
49	13412002	MAIN FEED LINK PIN A	SELECTIVE PARTS			1
50	13412101	MAIN FEED LINK PIN B	SELECTIVE PARTS			1
51	13412200	MAIN FEED LINK PIN C	SELECTIVE PARTS			1
52	13411905	MAIN FEED LINK				1
53	SM8040412TP	SET SCREW M4 L=4				1
54	SD080163CTH	SHOULDER SCREW D=8 H=16.3				1
55	70001699	DIFF FEED SHAFT				1
56	TA0500601M0	PLUG D=5X5.4 L=6				1
57	CQ300000001	OIL WICK				1
58	13413604	DIFF FEED LINK				1
59	SD080186CTH	SHOULDER SCREW D=8 H=18.6				1
60	SD080062CTH	SHOULDER SCREW D=8 H=6.2				1
61	13414503	FEED LIFT SHAFT				1
62	TA0500601M0	PLUG D=5X5.4 L=6				1
63	CQ300000001	OIL WICK				0.67
64	13411707	BUSHING FEED MECH				3
65	70001705	BUSHING FEED MECH				3
66	13409107	WASHER				1
67	70001403	OIL SEAL				3
68	70001706	BUSHING FEED MECH				3
69	13411806	COLLAR				2
70	SM8060552TP	SCREW M6 L=5				2
71	13318001	KNOB FEED ADJUST				1
72	SM8040602TP	SCREW M4X0.7 L=6				1
73	SM8040412TP	SET SCREW M4 L=4				1
74	B3215470000	PIN				1
75	13411400	BUSHING FEED ADJ				1
76	13411301	SHAFT FEED ADJ				1
77	RO055200100	RUBBER RING				1
78	RE0500000K0	E-RING				1
79	NM6050001SC	NUT M5X0.8 TYPE1				1
80	13120605	WASHER				2
81	13318308	STOPPER FEED ADJUST				1
82	13411152	INDICATOR ASSY				1
83	RO068190100	RUBBER RING				1
84	13411202	PLATE MAIN FEED ADJ				1
85	SM4051255SP	SCREW.,M5 L=12.				2
86	13413950	FEED BAR ASSY				1
87	13413901	MAIN FEED BAR		*		1
88	13414008	DIFF FEED BAR		*		1
89	13413703	SLIDE BLOCK 1		*		1
90	13413802	SLIDE BLOCK 2		*		1
91	SM6041000SP	SCREW M4 L=10				2
92	13414107	FEED BAR GUIDE 1				1
93	SM8050812TP	SCREW M5X8				1
94	13414206	FEED BAR GUIDE 2				1

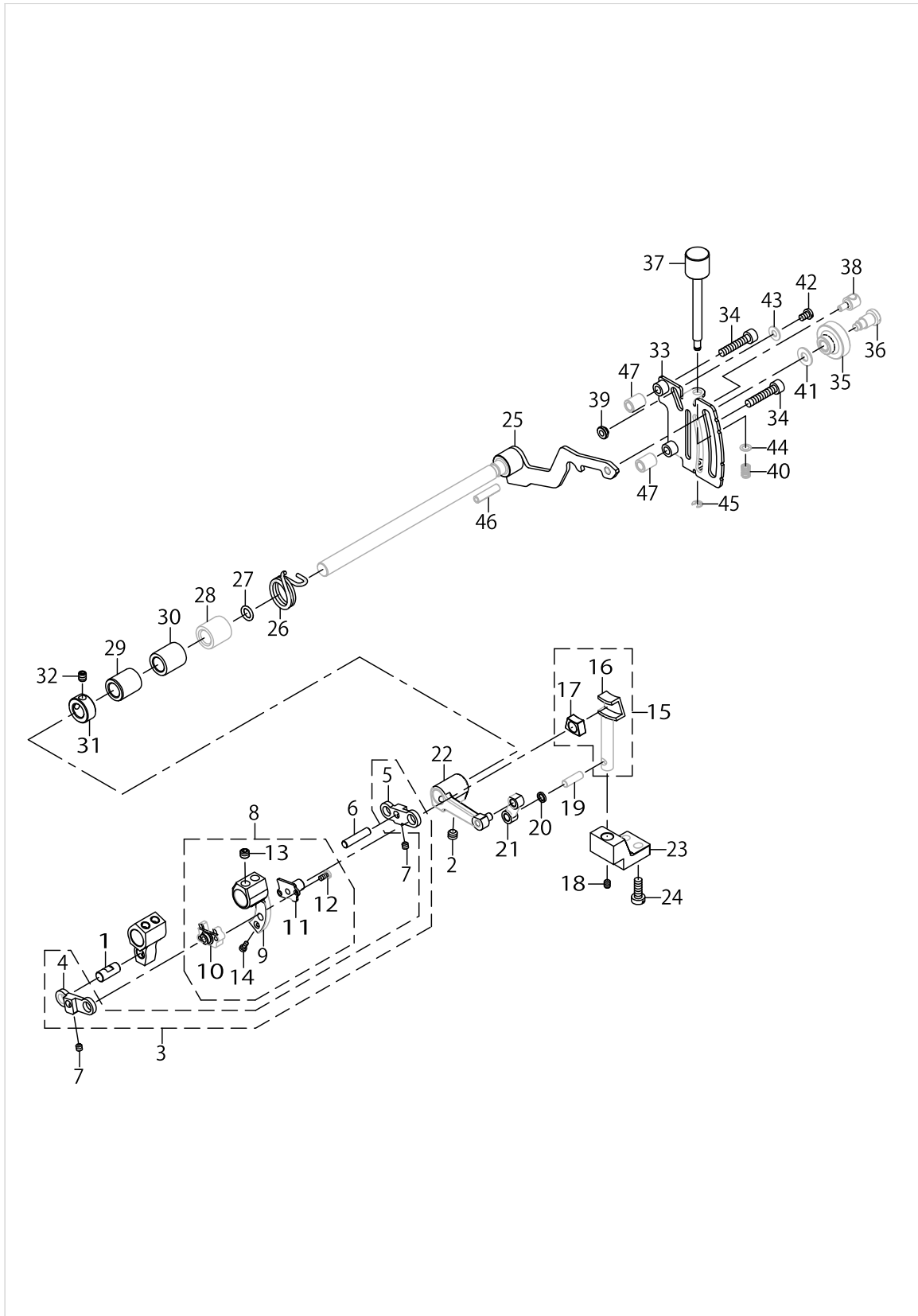
FEED DRIVE COMPONENTS (1)



FEED DRIVE COMPONENTS (1)

No.	Parts No.	Parts name	Remarks	Level	Cons	Qty
95	SM6040800SP	SCREW				2
96	WP0450846SP	WASHER				2
97	70001714	DIFF FEED CRANK				1
98	SM8060552TP	SCREW M6 L=5				2
99	SM8050612TP	SCREW M5X6				1

FEED DRIVE COMPONENTS (2)

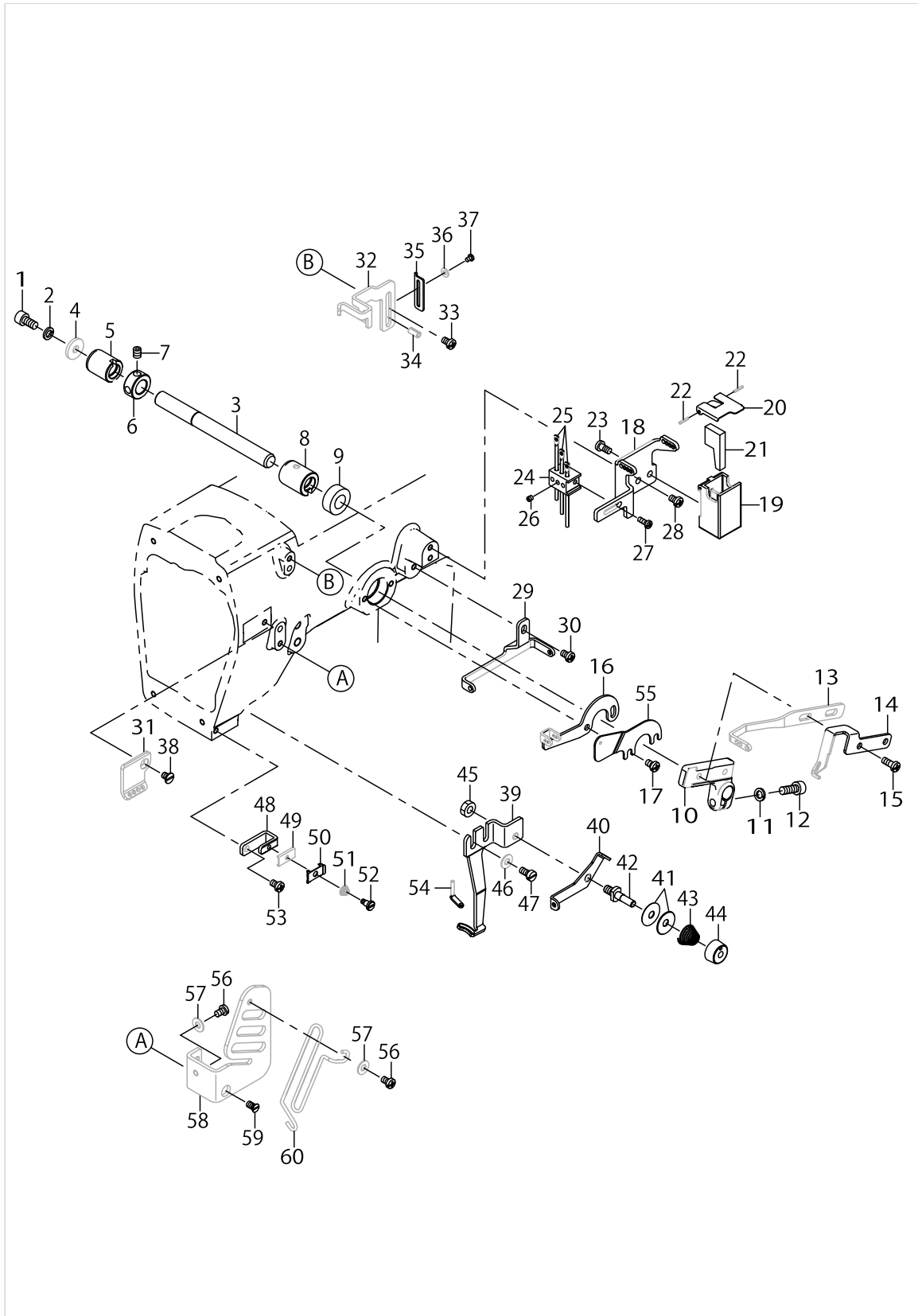


FEED DRIVE COMPONENTS (2)

No.	Parts No.	Parts name	Remarks	Level	Cons	Qty
1	13409909	DIFF FEED CRANK PIN				1
2	SM8060552TP	SCREW M6 L=5				2
3	13409651	DIFF DRIVE LINK ASSY				1
4	13409602	DIFF DRIVE LINK L		*		1
5	13409701	DIFF DRIVE LINK R		*		1
6	13409800	DIFF LINK PIN				1
7	SM8040412TP	SET SCREW M4 L=4				2
8	13416052	DIFF FEED ARM ASSY				1
9	13416003	DIFF FEED ARM		*		1
10	13416102	DIFF FEED PIN 1		*		1
11	13416201	DIFF FEED PIN 2		*		1
12	SM6030650TP	SCREW		*		2
13	SM8060552TP	SCREW M6 L=5		*		2
14	SM4850455SP	SCREW		*		1
15	13416458	SLIDER GUIDE ASSY				1
16	13416409	SLIDER GUIDE		*		1
17	13416607	SLIDER		*		1
18	SM8040612TP	SCREW M4 L=6				1
19	13416508	PIN DIFF ADJ				1
20	13412705	SPACER				1
21	13413208	DIFF ADJ LINK				1
22	13416854	DIFF ADJ LEVER ASSY				1
23	13416706	SLIDER GUIDE BLOCK				1
24	SM6051400SP	SCREW				2
25	70001707	DIFF ADJ LEVER ASSY				1
26	40040208	TORSION SPRING				1
27	RO068190100	RUBBER RING				1
28	70001709	BUSHING FEED ADJ				1
29	70001710	BUSHING FEED ADJ				1
30	70001711	BUSHING FEED ADJ				1
31	CS1000881TP	THRUST COLLAR				1
32	SM8050612TP	SCREW M5X6				2
33	40040155	PLATE DIFF ADJ LEVER				1
34	SM6052502TP	SCREW M5X0.8 L=25				2
35	13217500	DIFFERENTIAL FEED LOCK NUT				1
36	13217401	DIFFERENTIAL FEED HINGE SCREW				1
37	70001718	SCREW				1
38	13217708	DIFFERENTIAL FEED BLOCK				1
39	13321203	STOPPER DIFF ADJ				1
40	13123302	ADJUSTING SPRING				1
41	WP0621016SD	WASHER 6.2X13X1				1
42	SM4040655SP	SCREW M4 L=6			☆	1
43	WP0450826SC	WASHER 4.5X10X0.8				1
44	WP0460556SD	WASHER 4.6X7.5X0.5				1
45	RE0300000K0	E-RING 3				1
46	PS0500202KP	SPRING PIN 5X20				1
47	70001712	COLLAR				2



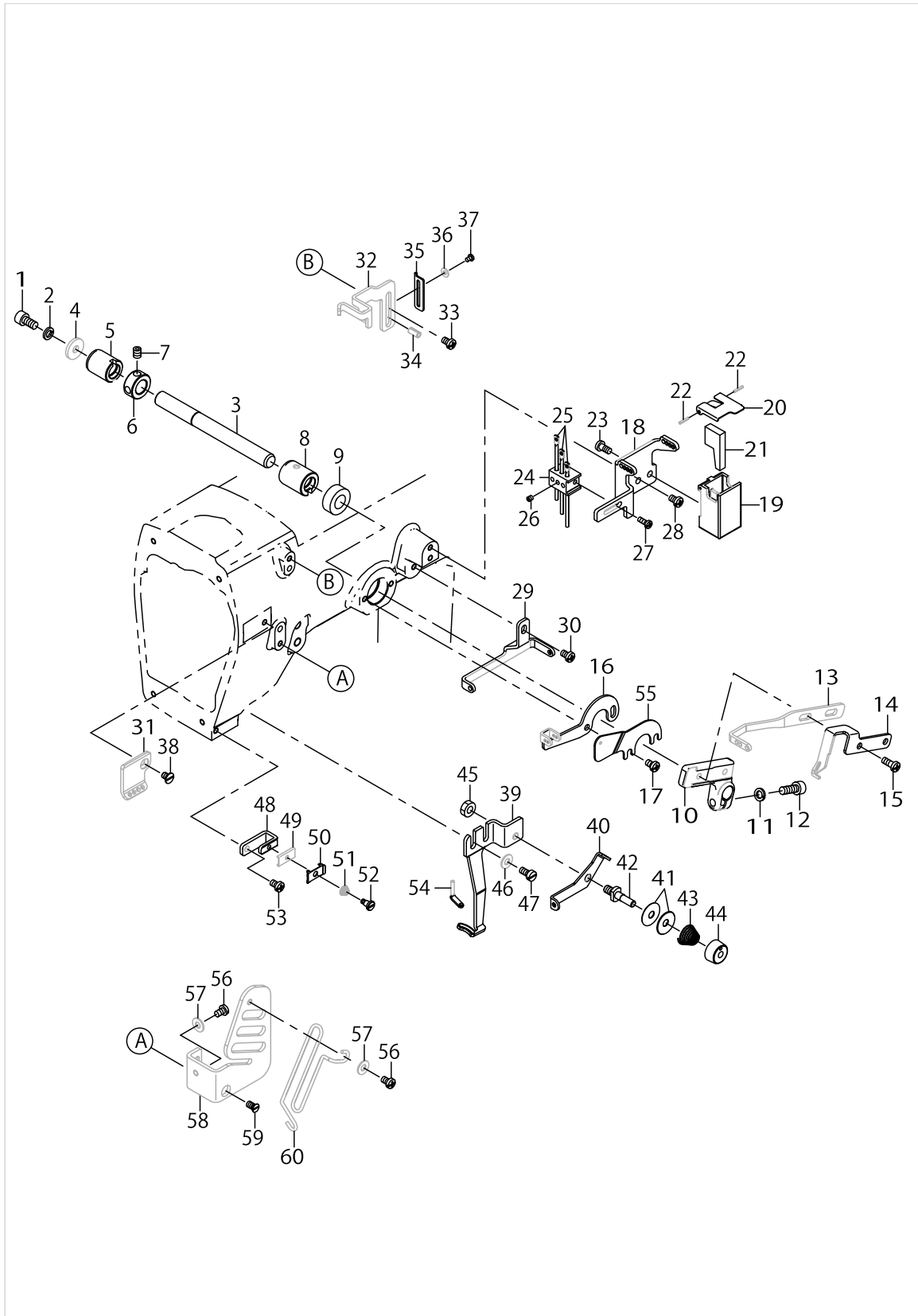
# THREAD TAKE-UP LEVER COMPONENTS



THREAD TAKE-UP LEVER COMPONENTS

No.	Parts No.	Parts name	Remarks	Level	Cons	Qty
1	SM6051002TP	SCREW M5X0.8 L=10				1
2	WS0510002KP	SPRING WASHER 5.1X9.2X1.3				1
3	70001537	SHAFT				1
4	WP0522016SH	WASHER				1
5	13324504	BUSHING REAR				1
6	CS1000881TP	THRUST COLLAR D=10 W=8				1
7	SM8050612TP	SCREW M5X6				2
8	13324603	BUSHING FRONT				1
9	23612609	FEED CHANGING SHAFT OIL SEAL				1
10	13324702	HOLDER TAKE UP EYELET				1
11	WS0510002KN	SPRING WASHER M5				1
12	SM6051402TP	SCREW M5X0.8 L=14				1
13	70001548	NDL THD TAKE UP				1
14	13324900	UP LPR THREAD TAKE UP				1
15	SM4041055SP	SCREW				2
16	13325006	THREAD GUIDE				1
17	SM4040655SP	SCREW M4 L=6				2
18	70001540	THREAD TENSION GUIDE				1
19	13348008	TANK				1
20	70001546	SILICONE OIL TANK COVER				1
21	B9214850000	HEAT REMOVING FELT				1
22	PS0150082KH	SPRING PIN 1.5X8				2
23	ST4040851SN	TAPPING SCREW M4X8				2
24	13325204	HOLDER				1
25	40074316	NEEDLE_THREAD_EYELET				3
26	SM8030312TP	SCREW M3 L=3				3
27	SM4030855SN	SCREW M3 L=8.0				1
28	SM4040655SP	SCREW M4 L=6				2
29	70001541	THREAD GUIDE				1
30	SM4040655SP	SCREW M4 L=6				1
31	70001542	THREAD GUIDE				1
32	70001543	NDL THD STRIKE OFF				1
33	SM4040655SP	SCREW M4 L=6				1
34	PS0400082KP	SPRING PIN TYPE W 4X8				1
35	13326905	NDL THD STRIKE OFF R				1
36	WP0280501SC	WASHER M2.6				1
37	SM48504C5SP	SCREW				1
38	SM1040650TP	SCREW				1
39	13326301	THREAD GUIDE UPPER LPR				1
40	13326400	THREAD GUIDE				1
41	22945802	THREAD TENSION DISK				2
42	13326509	TENSION POST				1
43	22945505	THREAD TENSION SPRING				1
44	13326608	TENSION NUT				1
45	NM6050001SC	NUT M5X0.8 TYPE1				1
46	WP0450826SC	WASHER 4.5X10X0.8				2
47	SM6040800SP	SCREW				2

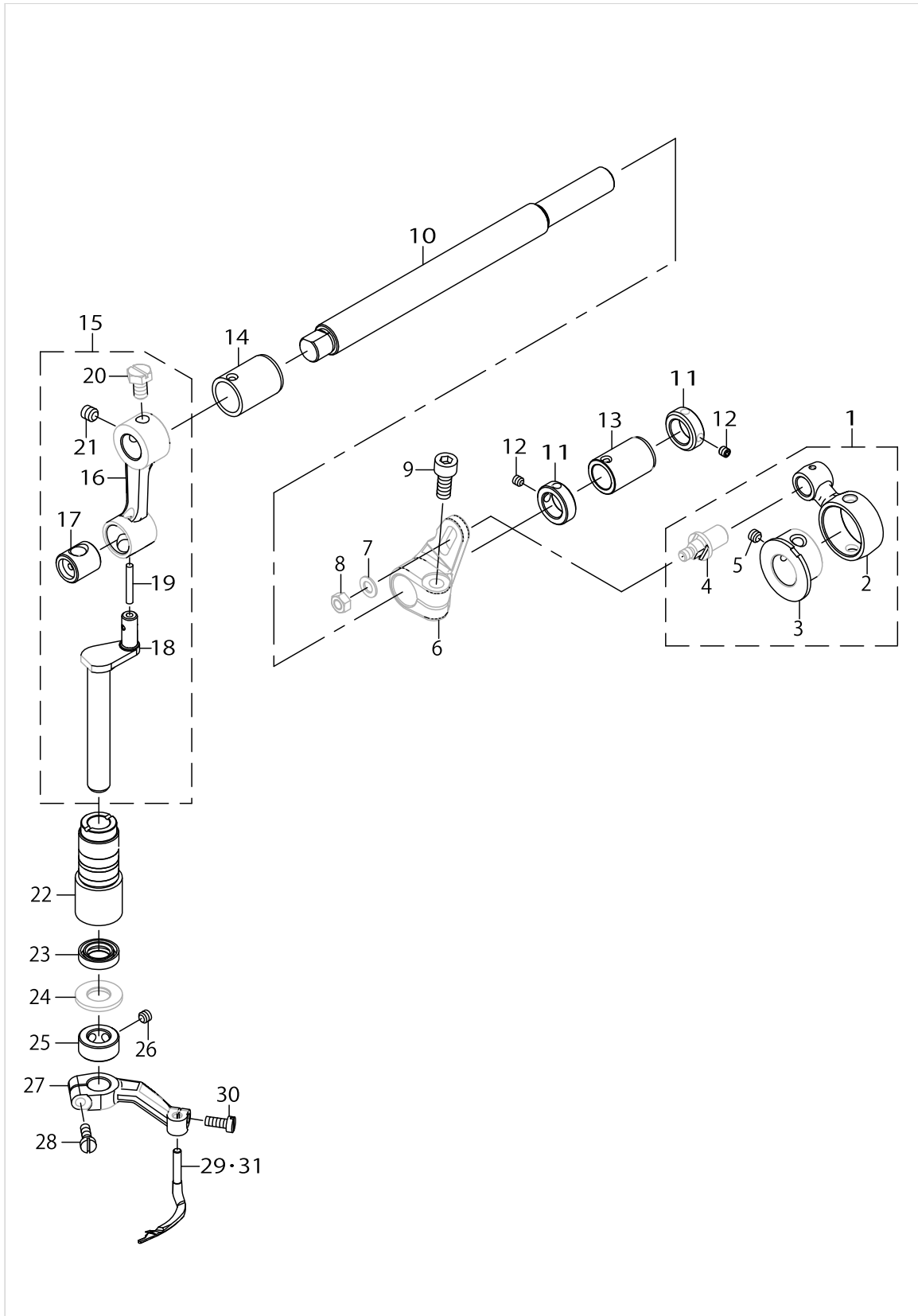
# THREAD TAKE-UP LEVER COMPONENTS



THREAD TAKE-UP LEVER COMPONENTS

No.	Parts No.	Parts name	Remarks	Level	Cons	Qty
48	13325808	NIPPER PLATE SUPPORT				1
49	13325907	NIPPER PLATE				1
50	13326004	NIPPER GUIDE PLATE				1
51	13326103	SPRING				1
52	13326202	SHOULDER SCREW				1
53	SM4040655SP	SCREW M4 L=6				1
54	13326707	THREAD GUIDE			☆	1
55	40085995	FINGER GUARD				1
56	SM40405C5SP	SCREW				2
57	WP0450801SC	WASHER 4.5X10X0.8				2
58	70001544	TAKE UP COVER				1
59	SM1040750TP	SCREW M4 L=7				1
60	70001545	FINGER GUARD				1

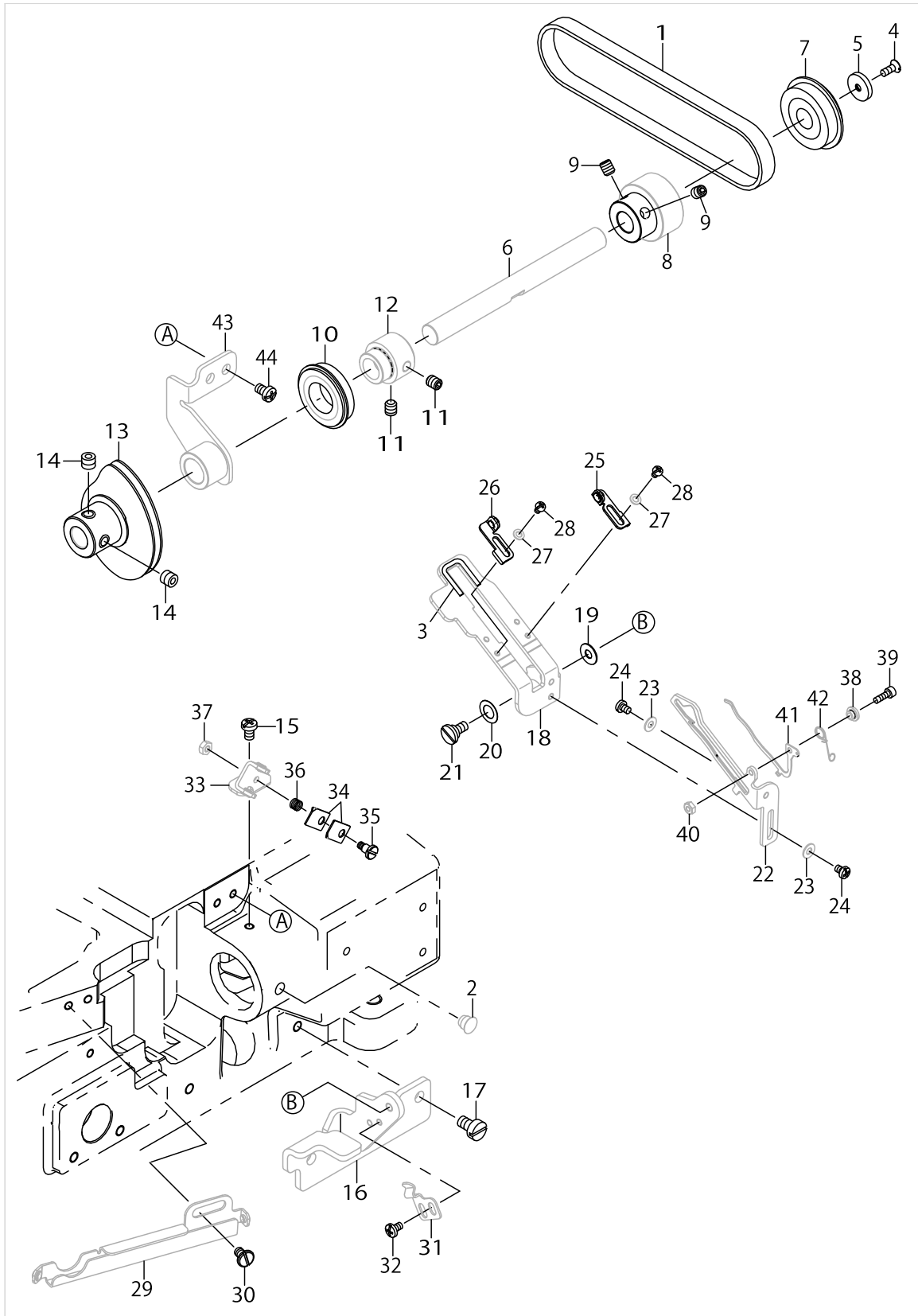
# SPREADER COMPONENTS



SPREADER COMPONENTS

No.	Parts No.	Parts name	Remarks	Level	Cons	Qty
1	13328158	ASSY UPPER LPR MECH				1
2	13328109	CONNROD FOR UPPER LPR		*		1
3	13328000	UPPER LOOPER ECCENTRIC		*		1
4	13328208	STUD		*		1
5	SM8050412TP	SCREW M5 L=4		*		2
6	70001555	DRIVING ARM				1
7	WP0550800SP	WASHER 5.5X10X0.8				1
8	NM6050001SC	NUT M5X0.8 TYPE1				1
9	SM6061402TP	SCREW M6 L=14				1
10	70001558	UPPER LOOPER SHAFT				1
11	13399209	COLLAR				2
12	SM8040412TP	SCREW M4X4				4
13	13329008	BUSHING REAR				1
14	70001559	BUSHINGFRONT				1
15	13328554	ASSY UPPER LPR MECH 2				1
16	13328505	CRANK ROD		*		1
17	13328604	UPPER LOOPER ROCKER		*		1
18	13328703	UP LPR SHAFT VERTICAL		*		1
19	CQ303000000	COTTON OIL WICK D=3		*		0.05
20	SM9061050TP	SCREW M6 L=10		*		1
21	SM8060612TP	SCREW M6 L=6		*		1
22	13329206	BUSHING VERTICAL				1
23	13338900	OIL SEAL				1
24	WP1022016SH	WASHER				1
25	CS1000881TP	THRUST COLLAR D=10 W=8				1
26	SM8050412TP	SCREW M5 L=4			☆	2
27	13328802	UPPER LOOPER HOLDER				1
28	SM6041200SP	SCREW M4 L=12			☆	1
29	70004223	UPPER_LOOPER	EXCEPT TYPE TURKEY (UT37A,UT57A)		☆	1
30	SM6041000SP	SCREW M4 L=10			☆	1
31	70004224	UPPER_LOOPER	TYPE TURKEY (UT37A,UT57A)		☆	1

# LOWER THREAD CAM COMPONENTS

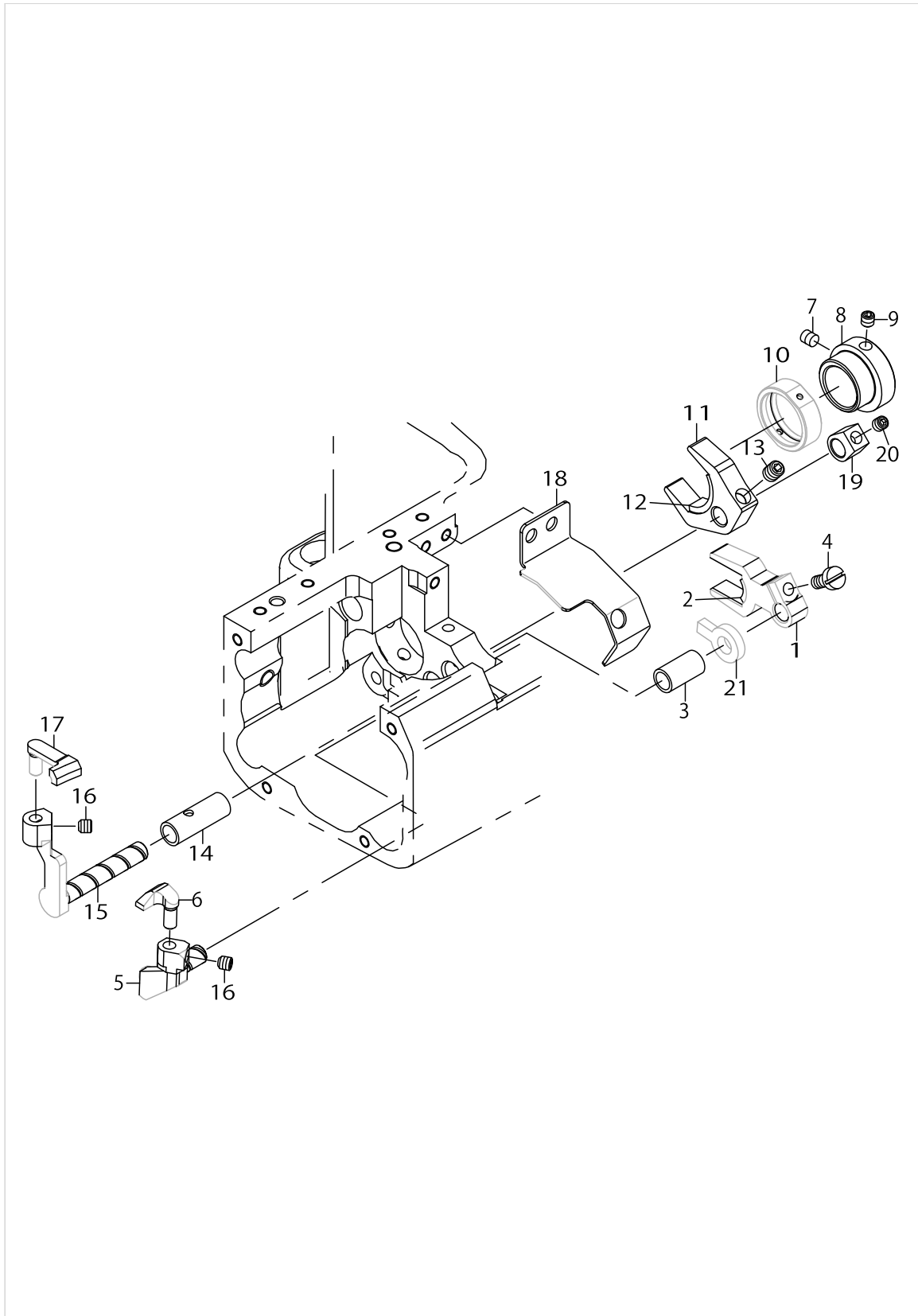


LOWER THREAD CAM COMPONENTS

No.	Parts No.	Parts name	Remarks	Level	Cons	Qty
1	70001988	BELT TAKE UP				1
2	TA0620504R0	CAP				1
3	40087068	CAM THREAD CATCH				1
4	SM1030800SM	SCREW M3X0.5 L=8				1
5	13332606	WASHER TAKE UP				1
6	70001729	SHAFT TAKE UP				1
7	SB110001800	BEARING				1
8	13331301	SPROCKET TAKE UP				1
9	SM8050612TP	SCREW M5X6				2
10	SB115000600	BALL BEARING				1
11	SM8050612TP	SCREW M5X6				2
12	70001754	COUPLING				1
13	40019335	ASSY TAKE UP			☆	1
14	SM8060552TP	SCREW M6 L=5				2
15	SM4040655SP	SCREW M4 L=6				1
16	70001734	TAKE UP PLATE BASE				1
17	SM6050800SP	SCREW M5 L=8				2
18	70001735	TAKE UP PLATE				1
19	WP0410516SD	PLAIN WASHER				1
20	WZ0641510KP	WAVED WASHER 6.4X11X0.3				1
21	SD0640246SP	HINGE SCREW D=6.35 H=2.4				1
22	70004734	THREAD_GUIDE				1
23	WP0320501SC	WASHER M3				3
24	SM4030455SP	SCREW				3
25	40100773	EYELET L ASSY			☆	1
26	40100771	EYELET R ASSY			☆	1
27	WP0280500SC	WASHER				2
28	SM4850455SP	SCREW				2
29	70001738	ASSY THREAD GUIDE				1
30	SM6040650TP	SCREW				2
31	70001745	SPRING			☆	1
32	SM5030555SN	SCREW M3 L=5				2
33	70004375	NIPPER_PLATE				1
34	40100769	NIPPER SPRING PLATE				2
35	13326202	SHOULDER SCREW				1
36	13402805	SPRING				1
37	NM6030001SC	NUT M3X0.5 TYPE1				1
38	70001584	SPRING COLLAR				1
39	SM6850802TN	SCREW M2.5 L=8				1
40	NM6850001SC	NUT M2.5X0.45 TYPE1				1
41	70004733	THREAD_GUIDE_PLATE				1
42	70001753	THREAD GUIDE PLATE SPRING			☆	1
43	70001758	SHAFT TAKE UP COVER ASSY				1
44	SM4040655SP	SCREW M4 L=6				2



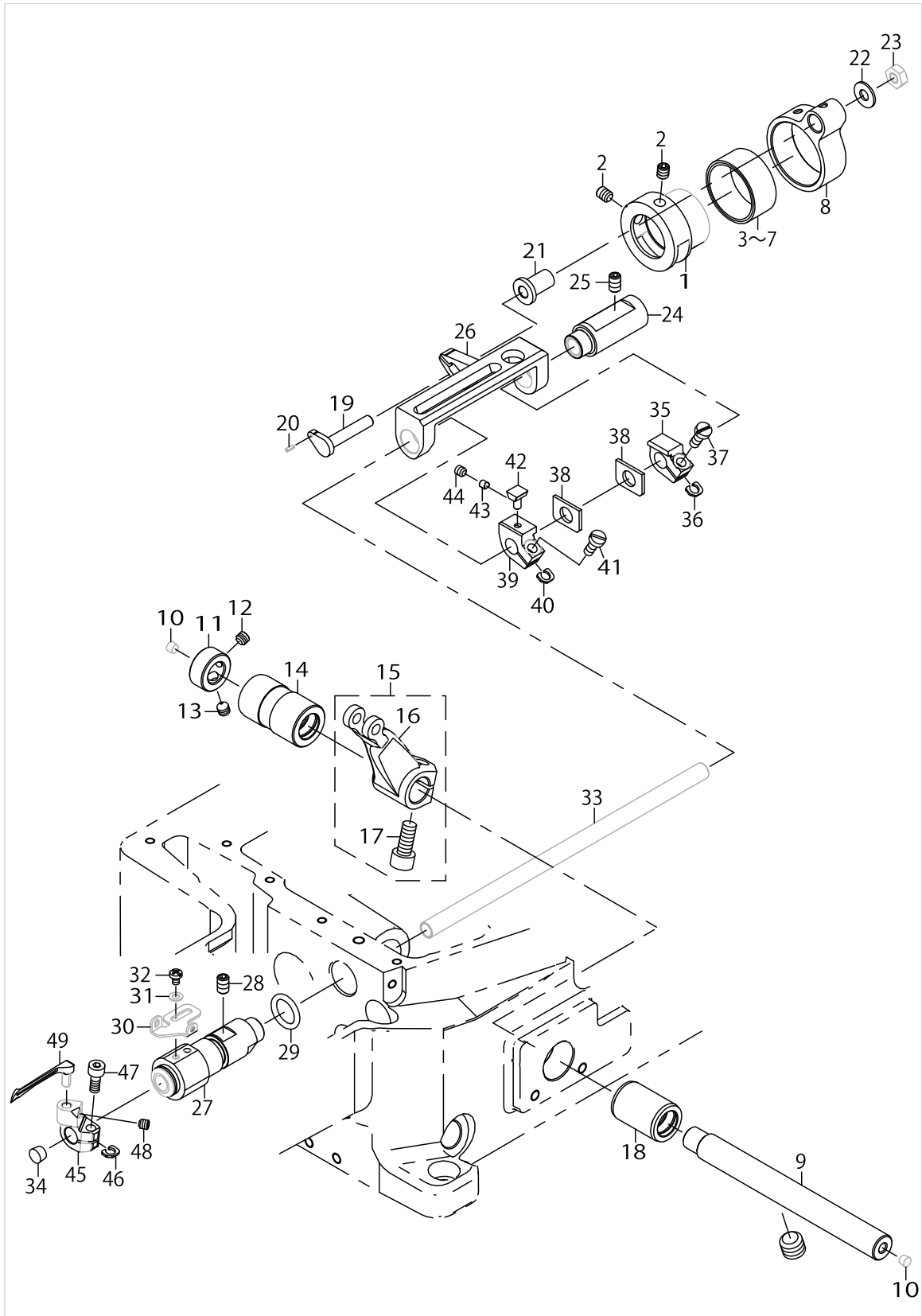
# NEEDLE GUARD COMPONENTS



NEEDLE GUARD COMPONENTS

No.	Parts No.	Parts name	Remarks	Level	Cons	Qty
1	13420401	FORK FRONT NDL GUARD				1
2	13421201	FELT FRONT NDL GUARD				1
3	70001749	BUSH FRONT NDL GUARD				1
4	SM6040800SP	SCREW				1
5	13420500	HOLDER FRONT NDL GUARD				1
6	13420609	FRONT NDL GUARD			☆	1
7	SM8040412TP	SET SCREW M4 L=4				1
8	13420005	CAM REAR NDL GUARD				1
9	SM8040412TP	SET SCREW M4 L=4				1
10	13421003	REAR NEEDLE GUARD BLOCK				1
11	13420104	FORK REAR NDL GUARD				1
12	13421300	FELT REAR NDL GUARD				1
13	SM8050612TP	SCREW M5X6				1
14	70001750	BUSH REAR NDL GUARD				1
15	13420203	REAR NDL GUARD HOLDER				1
16	SM8040412TP	SET SCREW M4 L=4				2
17	13420302	REAR NEEDLE GUARD			☆	1
18	13420906	NDL GUARD COVER				1
19	13421409	COLLER FOR NDL GUARD				1
20	SM8040412TP	SET SCREW M4 L=4				1
21	70001954	FELT FOR NEEDLE GUARD				1

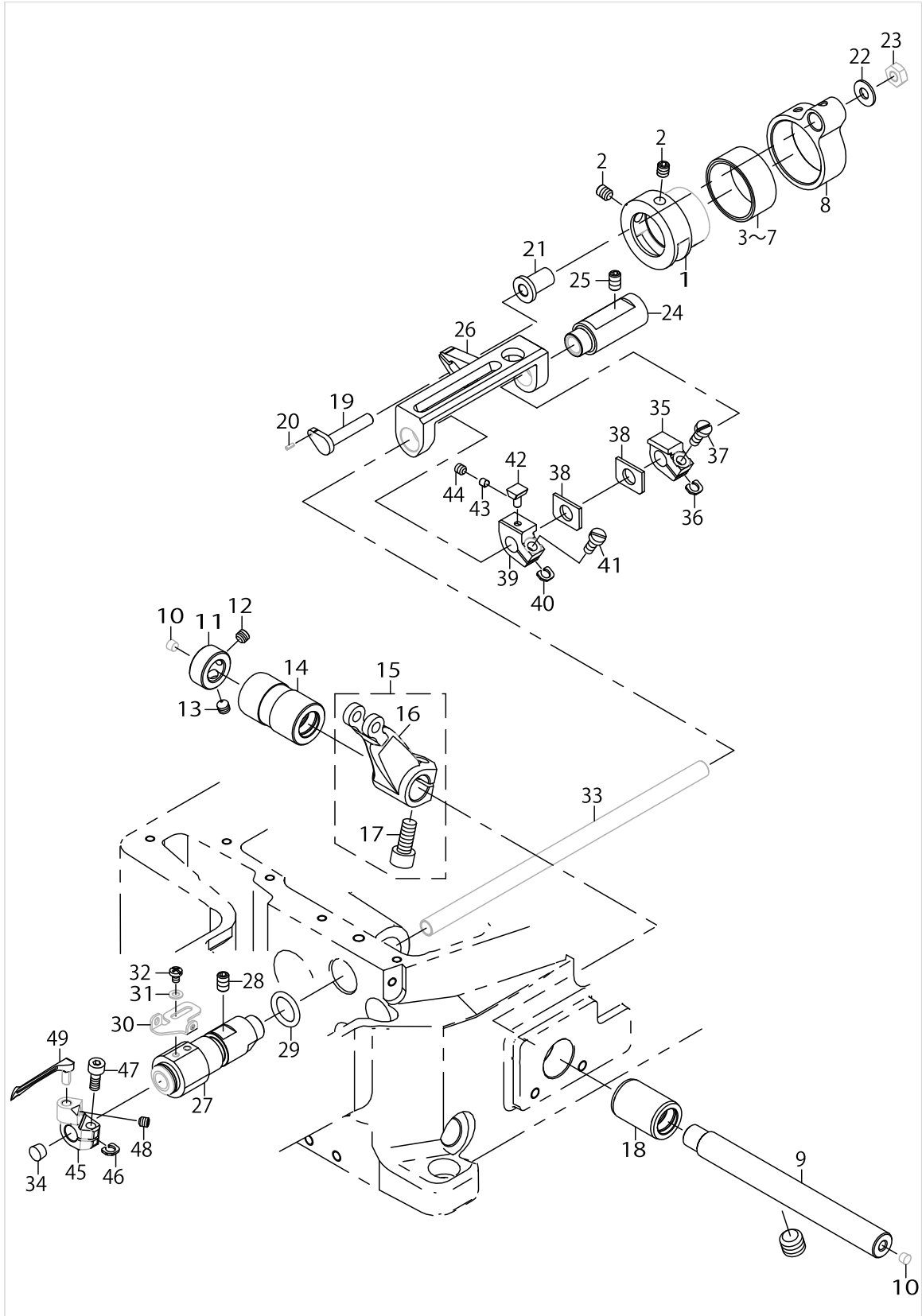
# LOOPER COMPONENTS



LOOPER COMPONENTS

No.	Parts No.	Parts name	Remarks	Level	Cons	Qty
1	13422001	LOOPER ADOID ECCENTRIC				1
2	SM8050612TP	SCREW M5X6				2
3	SB32600020A	BEARING	SELECTIVE PARTS			1
4	SB32600020B	BEARING	SELECTIVE PARTS			1
5	SB32600020C	BEARING	SELECTIVE PARTS			1
6	SB32600020D	BEARING	SELECTIVE PARTS			1
7	SB32600020E	BEARING	SELECTIVE PARTS			1
8	13422605	LOOPER AVOID LINK				1
9	13424304	LOOPER SHAFT				1
10	TA0400301M0	PLUG D=4X4.5 L=3				2
11	CS1000881TP	THRUST COLLAR				1
12	SM8050412TP	SCREW M5 L=4				1
13	SM8050642TP	SCREW				1
14	13423900	BUSHING REAR				1
15	13424452	LEVER ASSY				1
16	13424403	LEVER		*		1
17	SM6061402TP	SCREW M6 L=14		*		1
18	13424502	BUSHING FRONT				1
19	13422704	LOOPER AVOID PIN				1
20	PS0150042K0	SPRING PIN 1.5X 4				1
21	13422803	BUSHING				1
22	13120605	WASHER				1
23	NM6050001SC	NUT M5X0.8 TYPE1				1
24	13423009	BUSHING RIGHT				1
25	SM8050812TP	SCREW M5X8				1
26	13422902	GUIDE LOOPER BAR				1
27	70001761	BUSHING LEFT				1
28	SM8050812TP	SCREW M5X8				1
29	RO118240100	O-RING				1
30	70001762	THREAD GUIDE				1
31	WP0320500SC	WASHER M3				2
32	SM4030455SP	SCREW				2
33	13424601	LOOPER BAR				1
34	TA0600401R0	PLUG				1
35	13423405	HOLDER				1
36	13423801	WASHER				1
37	SM6041000SP	SCREW M4 L=10				1
38	13423603	WASHER				2
39	13423504	SLIDER HOLDER				1
40	13423801	WASHER				1
41	SM6041000SP	SCREW M4 L=10				1
42	13423306	SLIDER				1
43	13423702	PIN				1
44	SM8040412TP	SET SCREW M4 L=4				1
45	13424700	LOOPER HOLDER				1
46	13423801	WASHER				1
47	SM6041002TP	SCREW M4 L=10				1

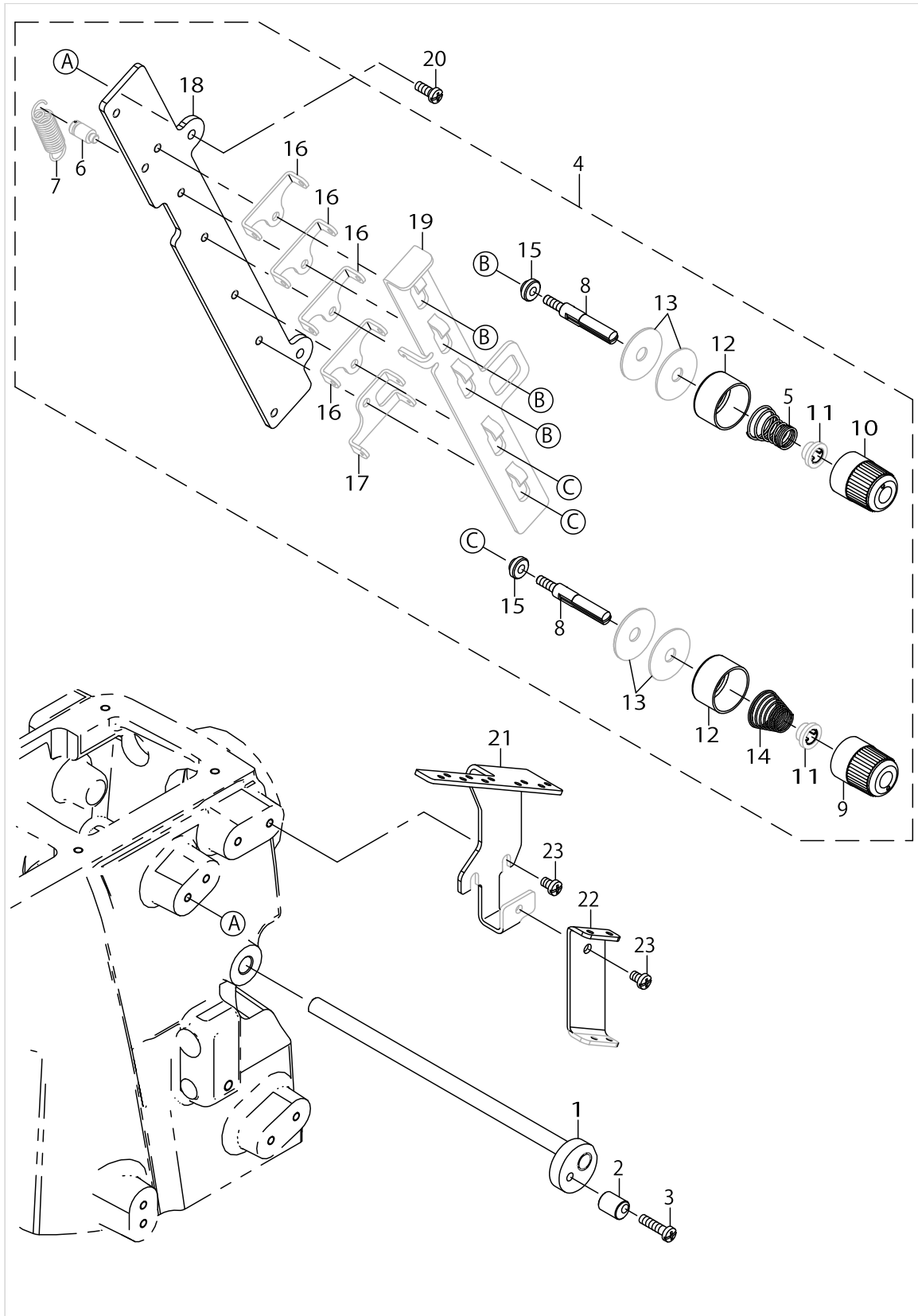
# LOOPER COMPONENTS



LOOPER COMPONENTS

No.	Parts No.	Parts name	Remarks	Level	Cons	Qty
48	SM8040412TP	SET SCREW M4 L=4				1
49	13424809	LOOPER			☆	1

# THREAD TENSION COMPONENTS

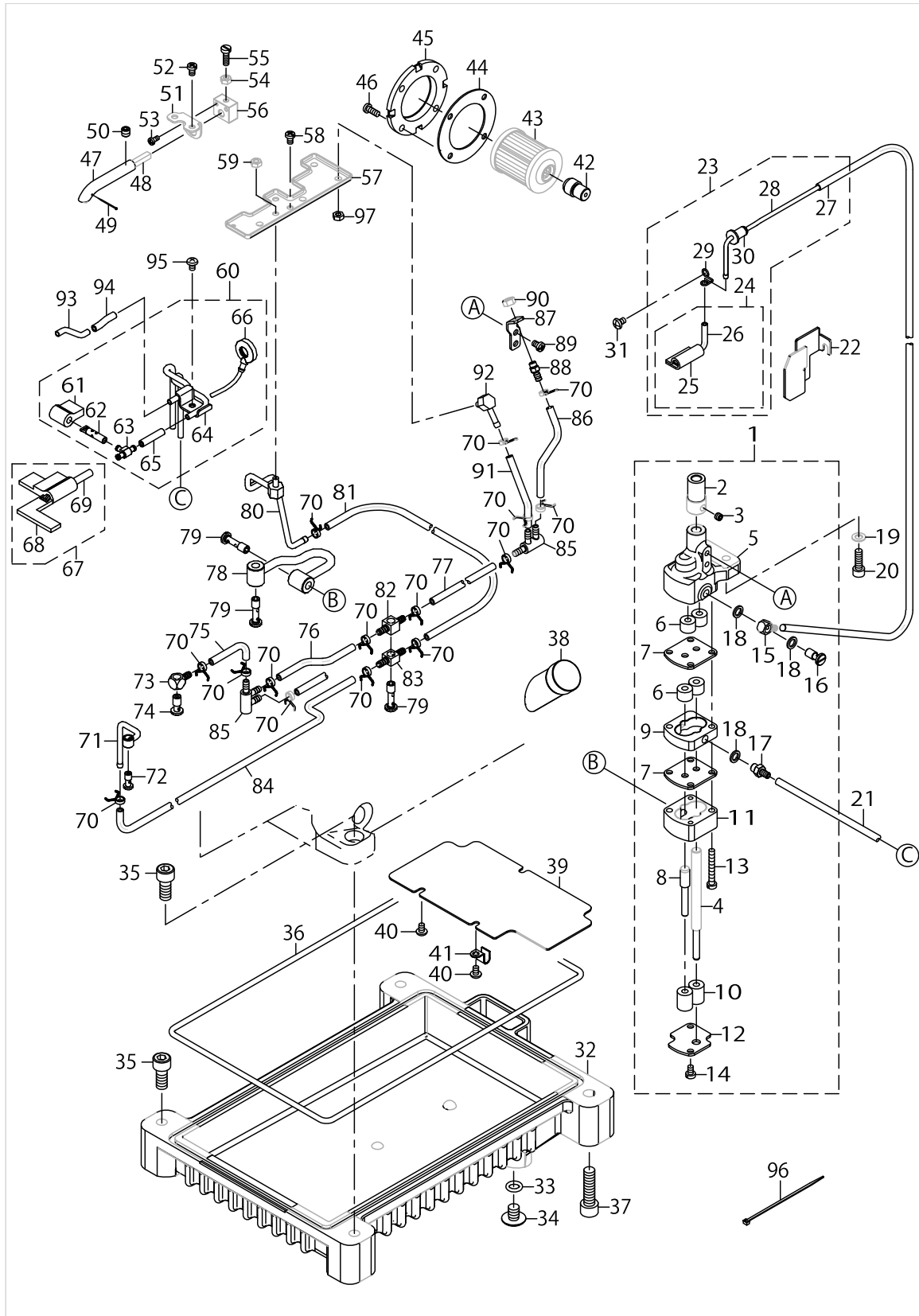


THREAD TENSION COMPONENTS

No.	Parts No.	Parts name	Remarks	Level	Cons	Qty
1	70001610	ASSY PULL OFF LEVER				1
2	40065785	TENS RELEASE ADJ ECC				1
3	SM4041655SP	SCREW M4 L=16				1
4	70001612	THREAD TENSION ASSY				1
5	13140504	TENSION SPRING		*		3
6	13340302	SHOULDER SCREW		*		1
7	26019000	THREAD TENSION SPRING		*		1
8	70001620	TENSION POST		*		5
9	40042363	KNOB		*		2
10	40042364	KNOB GREEN		*		3
11	40042365	SPRING BUSHING		*		5
12	40042366	THREAD TENSION DISK PRESSER		*		5
13	40101602	THREAD TENSION DISC		*		10
14	40102003	SPRING		*		2
15	70001617	SPACER		*		5
16	70001615	TENSION DISC EYELET A		*		4
17	70001616	TENSION DISC EYELET B		*		1
18	70001613	TENSION POST SUPPORT		*		1
19	70001614	TENSION DISC SEPARATOR		*		1
20	SM4041055SP	SCREW				2
21	13340005	THREAD GUIDE PLATE				1
22	13340104	THREAD GUIDE				1
23	SM4040655SP	SCREW M4 L=6				3



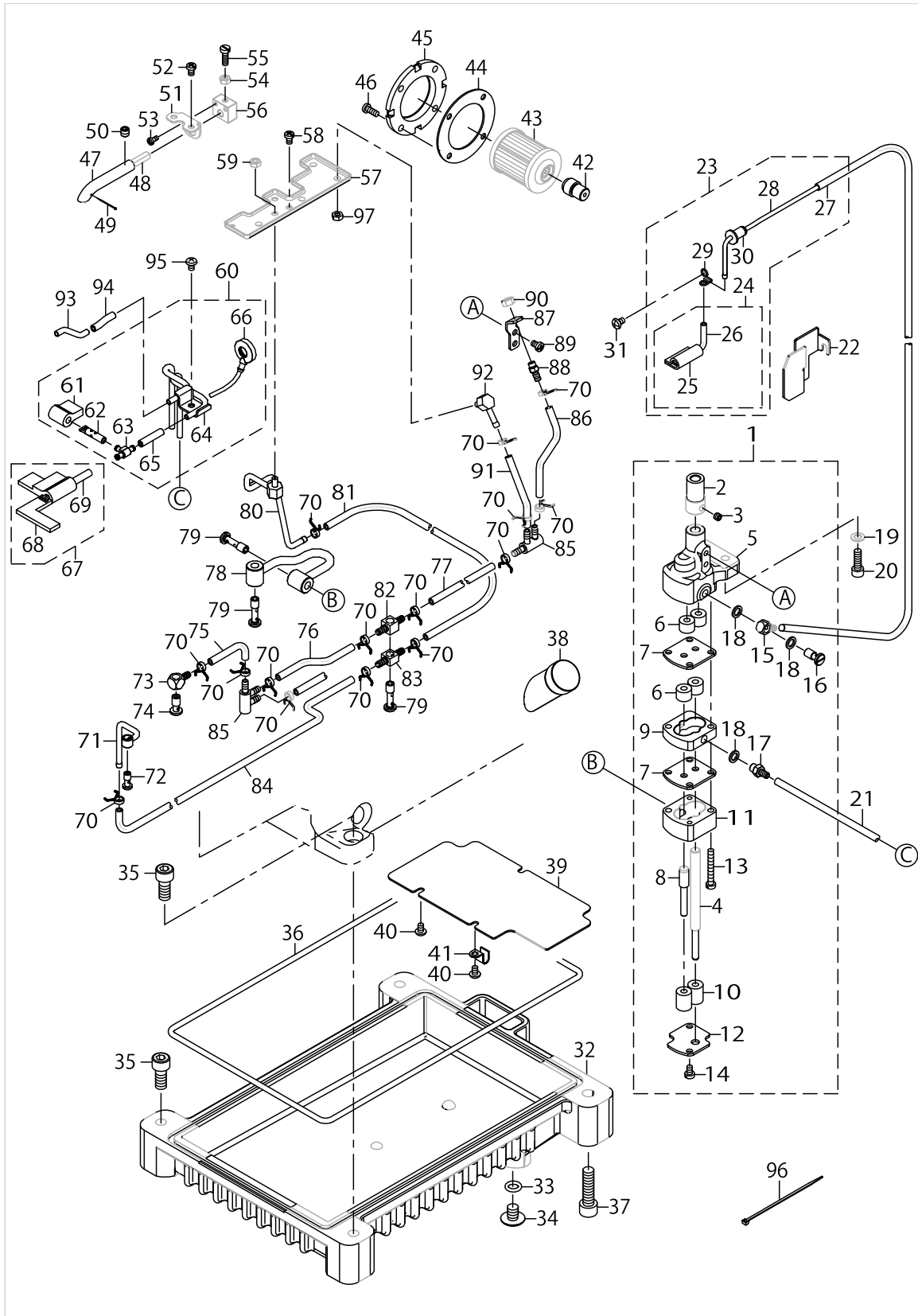
# LUBRICATION COMPONENTS



LUBRICATION COMPONENTS

No.	Parts No.	Parts name	Remarks	Level	Cons	Qty
1	13426051	ASSY PUMP 3-STAGE				1
2	13343009	WORM WHEEL		*		1
3	SM8050412TP	SCREW M5 L=4		*		2
4	13426002	OIL PUMP SHAFT LARGE		*		1
5	13343108	OIL PUMP HOUSING		*		1
6	13228309	OIL PUMP PINION		*		4
7	13343405	OIL PUMP SPACER		*		2
8	13426101	OIL PUMP SHAFT SMALL		*		1
9	13426200	OIL PUMP CASING UPPER		*		1
10	13228200	OIL PUMP PINION		*		2
11	13343207	OIL PUMP CASING		*		1
12	13343306	OIL PUMP COVER		*		1
13	SM6043000SP	SCREW		*		2
14	SM6040600SP	SCREW M4 L=6		*		2
15	SQ0000451MZ	CONNECTING SCREW		*		1
16	SQ2060443SD	CONNECTING SCREW		*		1
17	SQ2060451MZ	CONNECTING SCREW		*		1
18	40004749	GASKET		*		3
19	WP0550800SP	WASHER 5.5X10X0.8				2
20	SM6051602TP	SCREW M5X0.8 L=16				2
21	23630007	TUBE				0.2
22	13343900	OIL PROTECTION SHIELD				1
23	13344056	ASSY HEAD SUCTION				1
24	13344155	ASSY HEAD SUCTION 2		*		1
25	40019163	FELT FOR HEAD SUCTION		*		1
26	13346408	OIL TUBE FOR SUCTION		*		1
27	23630007	TUBE		*		0.43
28	13344601	SUCTION PIPE		*		1
29	13344502	PIPE CLAMP		*		1
30	13344700	BUSHING FOR SUCTION		*		1
31	SM4040655SP	SCREW M4 L=6				1
32	70001769	OIL PAN				1
33	13170105	RUBBER RING				1
34	13171004	DRAIN SCREW				1
35	SM6081802TP	SCREW				3
36	13426408	O RING				1
37	SM6083002TP	SCREW M8 L=30				1
38	13346101	OIL SIGHT GAUGE				1
39	70001770	DUSTPROOF PLATE				1
40	SM4040655SP	SCREW M4 L=6				3
41	13427604	TUBE HOLDER				1
42	13343801	FITTING FILTER				1
43	13142500	CARTRIDGE FILTER			☆	1
44	13344809	GASKET O				1
45	13345202	FILTER COVER				1
46	SM4041055SP	SCREW				4
47	13343603	OIL TUBE				1

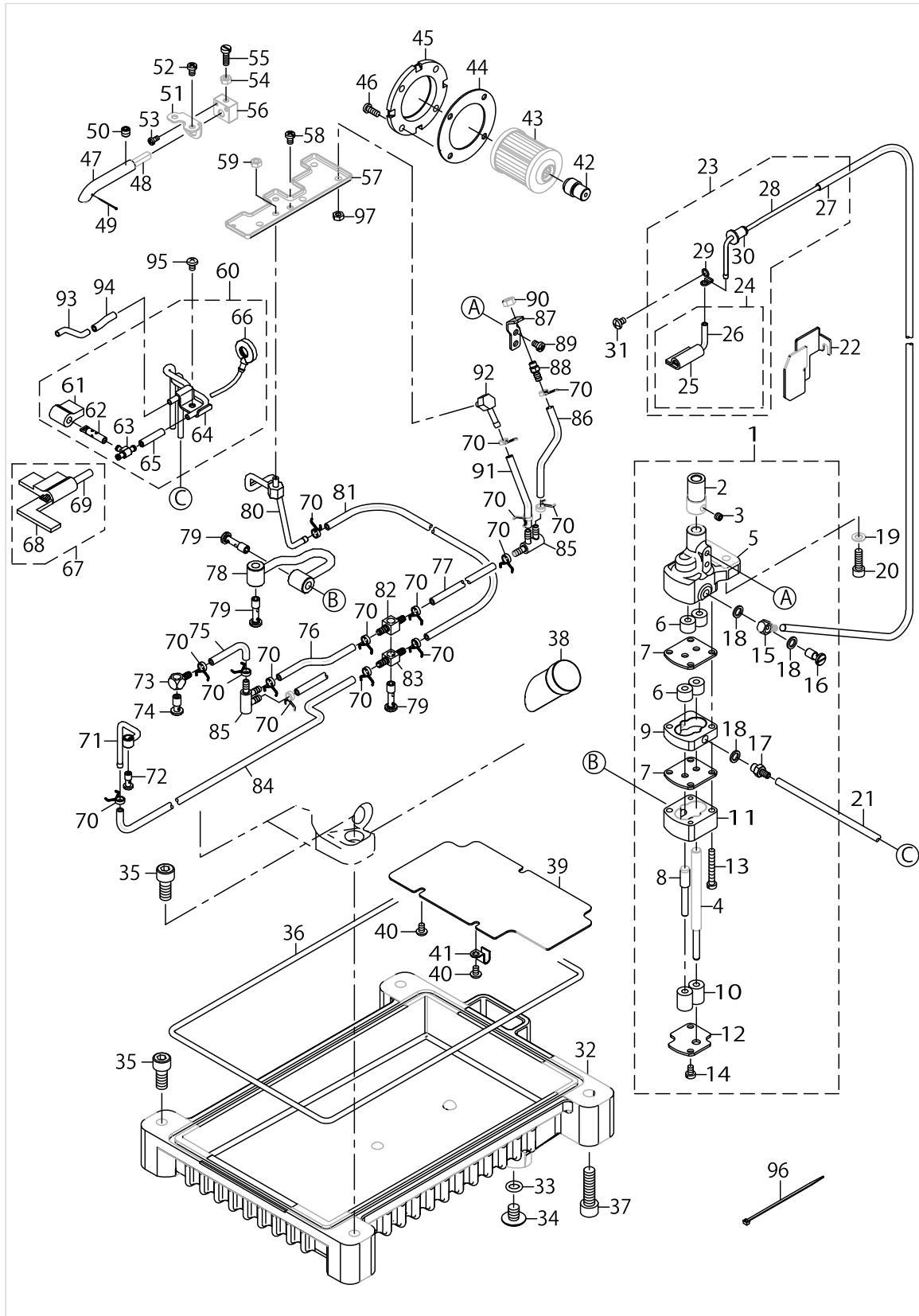
LUBRICATION COMPONENTS



LUBRICATION COMPONENTS

No.	Parts No.	Parts name	Remarks	Level	Cons	Qty
48	70001630	FELT FOR HEAD LUB				1
49	11856101	NEEDLE COOLER PIN				1
50	SM8060812TP	SCREW M6 L=8				1
51	70001633	LUBRICATION ADJUSTING PLATE				1
52	SM4040655SP	SCREW M4 L=6				2
53	SM4030855SN	SCREW M3 L=8.0				2
54	NM6040000SN	NUT M4				1
55	SM6041200SP	SCREW M4 L=12				1
56	70001632	LUBRICATION ADJUSTING BLOCK				1
57	70001631	OIL SAUCER				1
58	SM4040655SP	SCREW M4 L=6				2
59	NM6040000SN	NUT M4				1
60	13427851	ASSY BED SUCTION				1
61	13427802	FELT FOR BED SUCTION		*		1
62	13428305	OIL TUBE FOR SUCTION		*		1
63	13765607	OIL CONNec. ARM		*		1
64	13426754	OIL SUCTION ASSY		*		1
65	23630007	TUBE		*		0.03
66	13428255	ASSY LOOPER SUCTION		*		1
67	13427752	ASSY CYLINDER SUCTION				1
68	13427703	FELT FOR C SUCTION		*		1
69	13346408	OIL TUBE FOR SUCTION		*		1
70	23629306	PIPE STOPPER A				15
71	13427455	ASSY OIL SUPPLY FOR LMS				1
72	SQ2050391SD	CONNECTING SCREW				1
73	SQ0000452MZ	CONNECTING SCREW				1
74	SQ2060443SD	CONNECTING SCREW				1
75	BP30000010R	VINYL PIPE				0.04
76	BP30000010R	VINYL PIPE				0.05
77	BP30000010R	VINYL PIPE				0.05
78	13427257	ASSY OIL PIPE				1
79	SQ2060442SD	CONNECTING SCREW				3
80	13345053	ASSY OIL SUPPLY FOR TOP				1
81	BP30000010R	VINYL PIPE				0.5
82	SQ0000453MZ	CONNECTING SCREW				1
83	SQ0000454MZ	CONNECTING SCREW				1
84	BP30000010R	VINYL PIPE				0.13
85	23629504	DISTRIBUTOR				2
86	BP30000010R	VINYL PIPE				1
87	13427307	CONNECTING SCR BRACKET				1
88	SQ2050452MZ	CONNECTING SCREW				1
89	SM4040655SP	SCREW M4 L=6				2
90	NM6050001SC	NUT M5X0.8 TYPE1				1
91	BP30000010R	VINYL PIPE				0.3
92	70001975	ASSY_OIL_SUPPLY				1
93	13428008	OIL SUCTION FOR BUSHING				1
94	23630007	TUBE				0.02

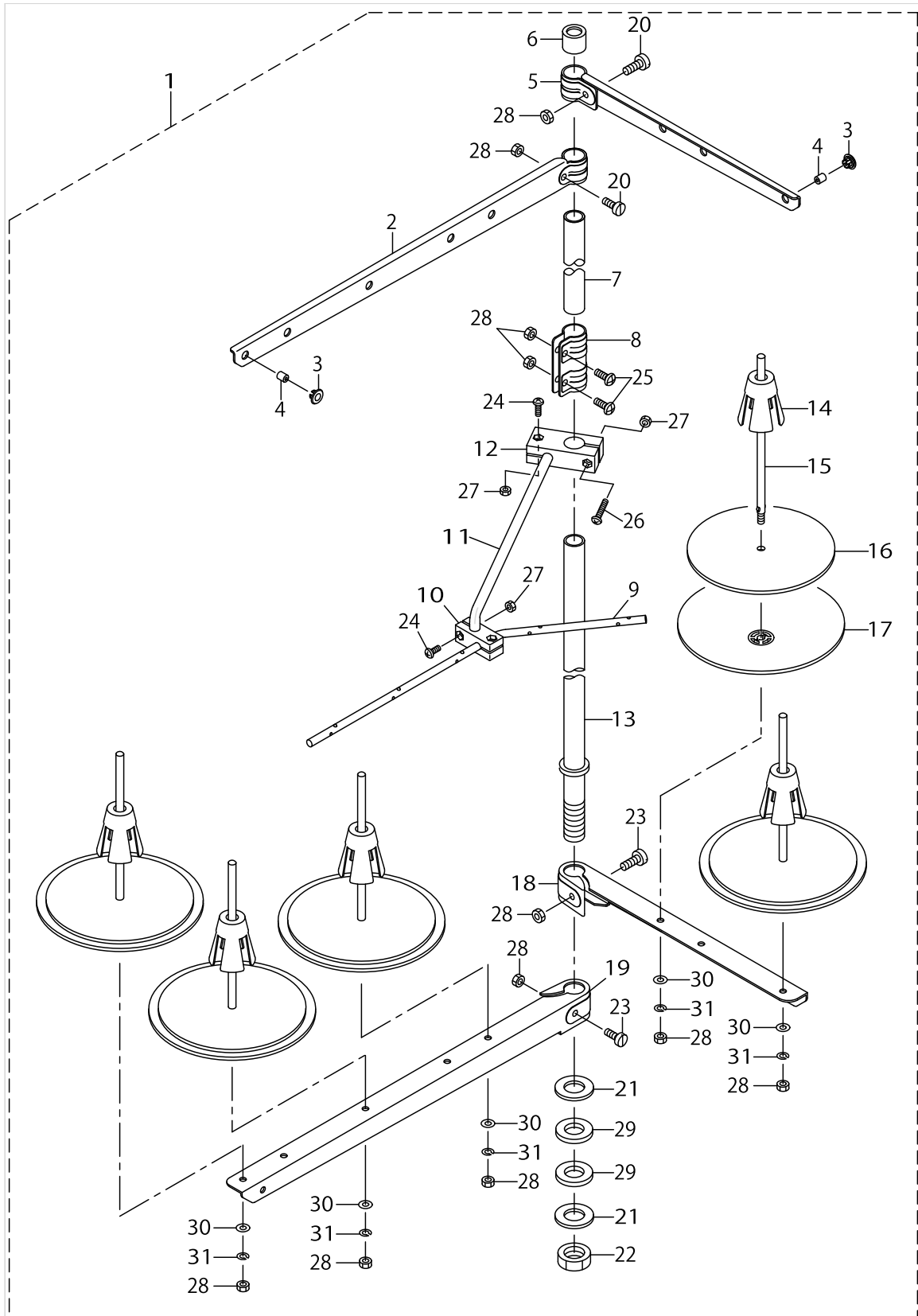
# LUBRICATION COMPONENTS



LUBRICATION COMPONENTS

No.	Parts No.	Parts name	Remarks	Level	Cons	Qty
95	SM4040655SP	SCREW M4 L=6				1
96	EA9500B0100	CABLE BAND				2
97	NM6040000SN	NUT M4				1

# THREAD STAND COMPONENTS

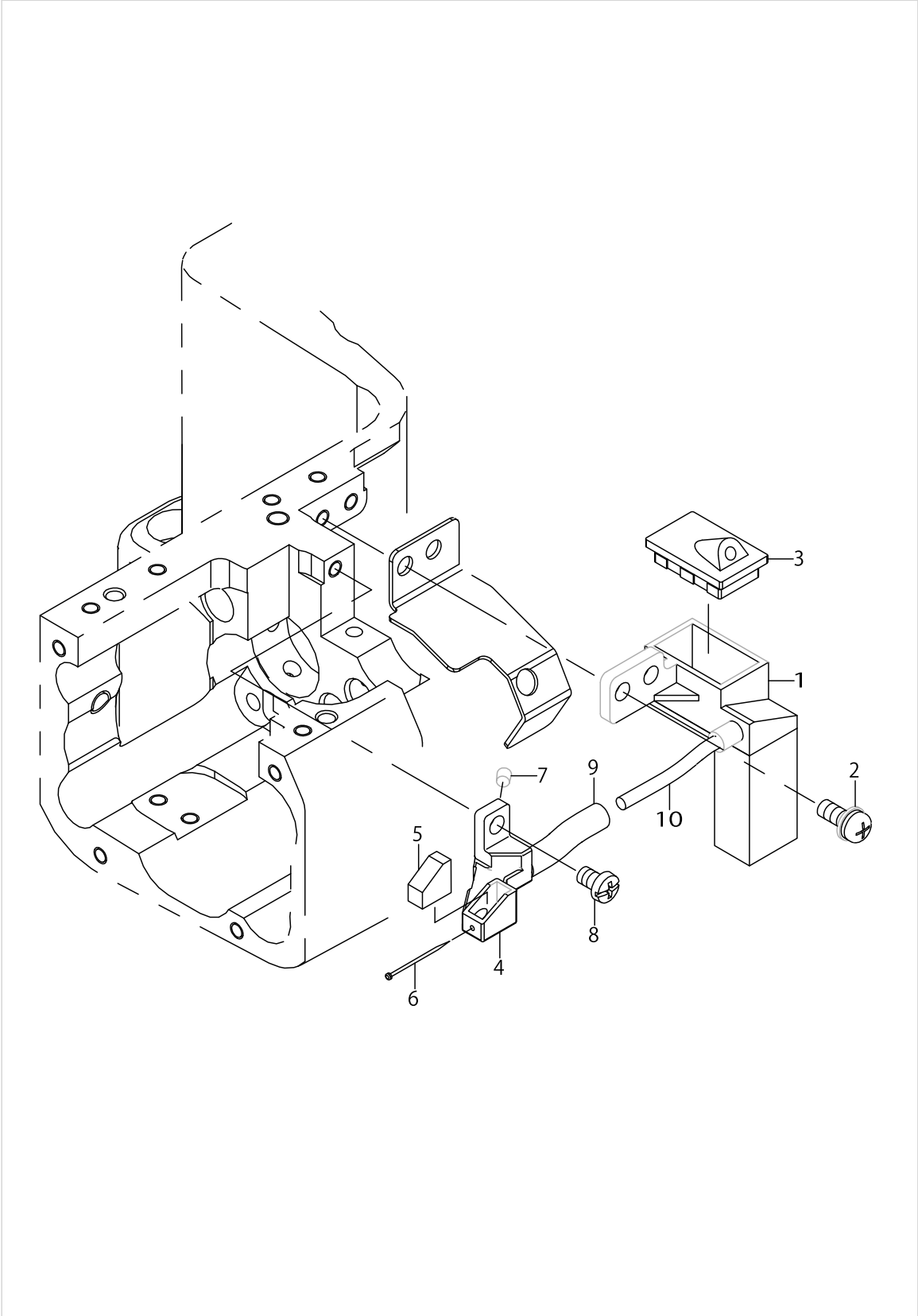


THREAD STAND COMPONENTS

No.	Parts No.	Parts name	Remarks	Level	Cons	Qty
1	40106591	THREAD STAND ASM.				1
2	40106575	SPOOL REST LONG ARM UPPER		*		1
3	40085794	THREAD GUIDE		*		5
4	40085795	THREAD GUIDE BUSHING		*		5
5	40085787	SPOOL REST ARM UPPER		*		1
6	40085793	SPOOL REST ROD RUBBER CAP		*		1
7	40085785	SPOOL REST ROD UPPER		*		1
8	40085792	SPOOL REST ROD JOINT		*		1
9	40106581	THREAD GUIDE 5		*		1
10	40106580	THREAD GUIDE UNDER BASE		*		1
11	40106576	THREAD GUIDE ARM		*		1
12	40106579	THREAD GUIDE ARM BASE		*		1
13	40085784	SPOOL REST ROD LOWER		*		1
14	40085791	SPOOL RETAINER		*		5
15	40085790	SPOOL PIN		*		5
16	40085789	SPOOL REST CUSHION		*		5
17	40085788	SPOOL REST		*		5
18	40085786	SPOOL REST ARM LOWER		*		1
19	40106574	SPOOL REST LONG ARM LOWER		*		1
20	40096327	SPOOL REST ARM UPPER SCREW		*		2
21	40085796	SPOOL REST ROD RUBBER CUSHION		*		2
22	40096325	SPOOL REST ROD NUT		*		1
23	40096326	SPOOL REST ARM LOWER SCREW		*		2
24	SM4041201SC	SCREW.M4X0.7_L=12		*		3
25	SM4051405SE	SCREW M5 L=14		*		2
26	SM4042501SC	SCREW M4X0.7 L=25		*		1
27	NM6040002SC	NUT_M4X0.7 TYPE2		*		4
28	NM6050001SE	NUT M5X0.8 TYPE1		*		11
29	WP1612616SE	WASHER 16X30X2.6		*		2
30	WP0531001SC	WASHER M5		*		5
31	WS0510002KN	SPRING WASHER M5		*		5



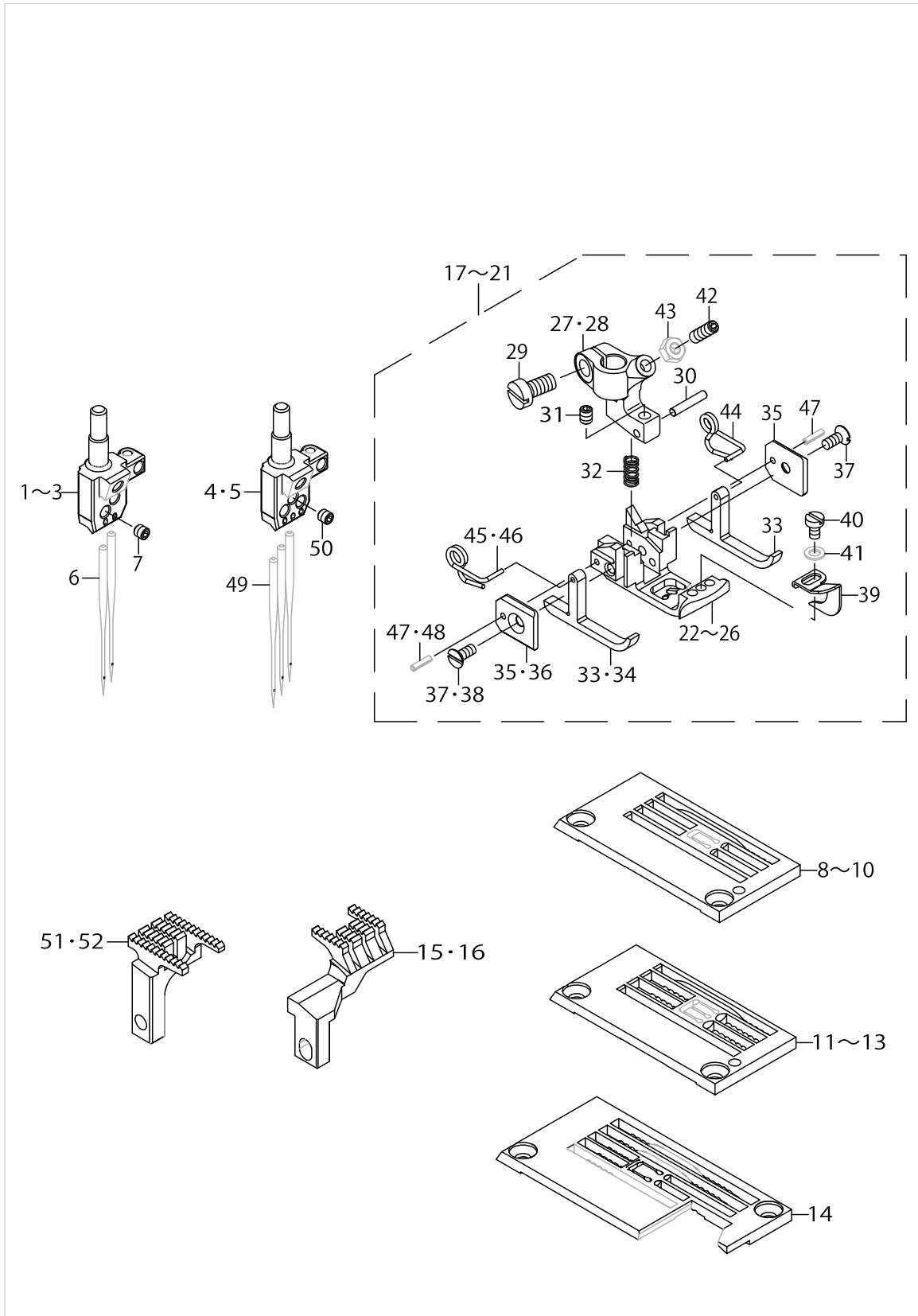
NEEDLE COOLING COMPONENTS



## NEEDLE COOLING COMPONENTS

No.	Parts No.	Parts name	Remarks	Level	Cons	Qty
1	13429055	SILICONE OIL TANK ASSY				1
2	SL4041081SC	SCREW M4 L=10				2
3	13429105	SILICONE OIL TANK CAP				1
4	13429204	SILICONE OIL CUP				1
5	13429303	FELT			☆	1
6	11856101	NEEDLE COOLER PIN				1
7	TA0290301M0	PLUG				1
8	SM4040655SP	SCREW M4 L=6				1
9	BT0600402EA	OIL TUBE				0.03
10	CQ303000000	OIL WICK				0.1

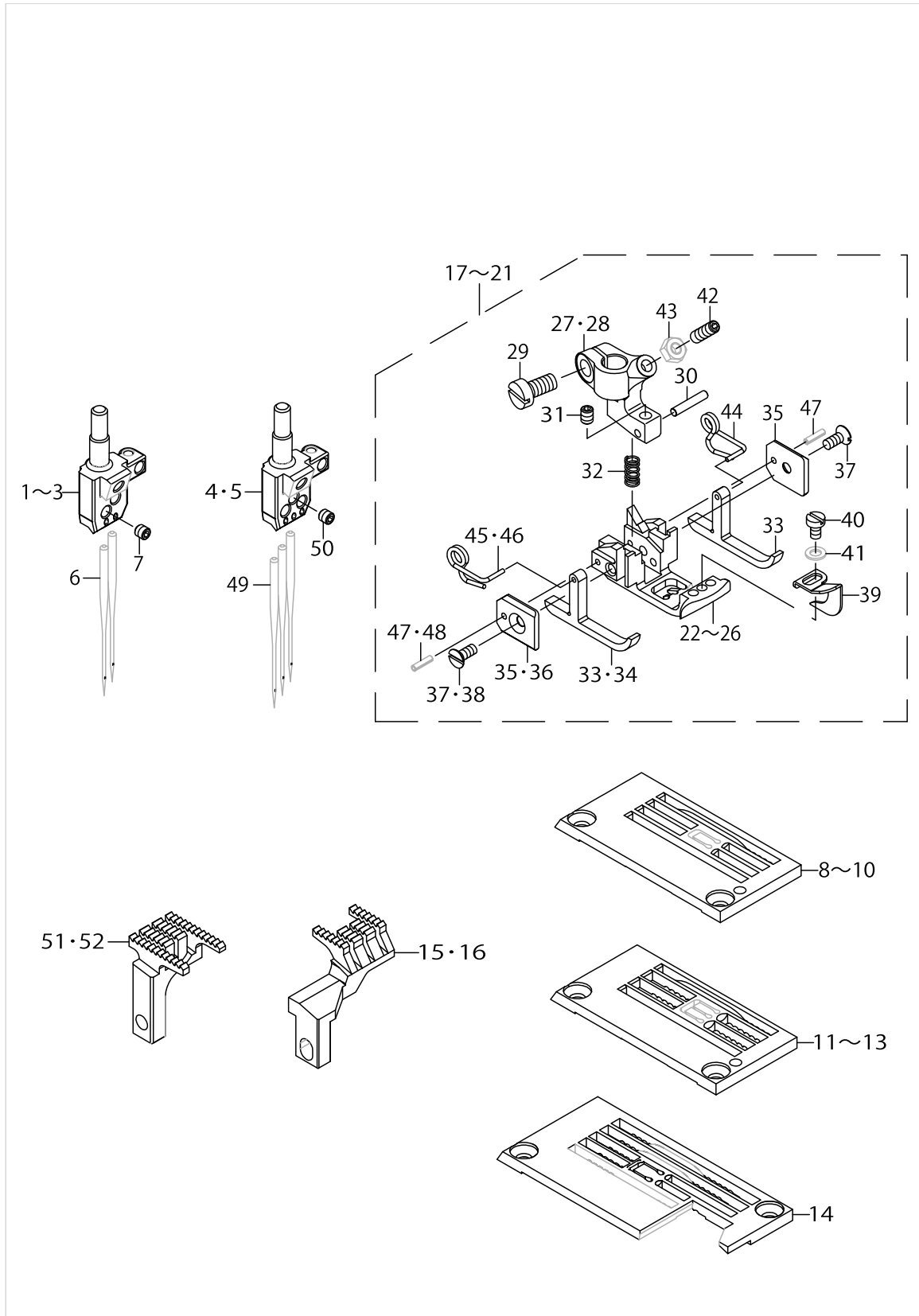
GAUGE PARTS COMPONENTS



GAUGE PARTS COMPONENTS

No.	Parts No.	Parts name	Remarks	Level	Cons	Qty
1	13350004	NEEDLE HEAD 32	FOR B32			1
2	13350103	NEEDLE HEAD 40	FOR B40			1
3	13350509	NEEDLE HEAD 48	FOR B48			1
4	13350301	NEEDLE HEAD 56	FOR B56			1
5	13350400	NEEDLE HEAD 64	FOR B64			1
6	MUY128S1000	NEEDLE			☆	2
7	SM8030312TP	SCREW M3 L=3				3
8	40058587	THROAT PLATE	FOR B32		☆	1
9	40058706	THROAT PLATE	FOR B40		☆	1
10	70004610	THROAT_PLATE	OPTIONAL PARTS			1
11	40040514	THROAT PLATE	FOR B48		☆	1
12	40058033	THROAT PLATE	FOR B56		☆	1
13	40040513	THROAT PLATE	FOR B64		☆	1
14	70004611	THROAT_PLATE	OPTIONAL PARTS			1
15	13433503	DIFF FEED DOG	FOR B32,B40,48		☆	1
16	13432109	DIFF FEED DOG	FOR B56,B64		☆	1
17	40090133	PRESSER FOOT ASSY	FOR B32		☆	1
18	40090196	PRESSER FOOT ASSY	FOR B40		☆	1
19	40090197	PRESSER FOOT ASSY	FOR B48		☆	1
20	40082974	PRESSER FOOT ASSY	FOR B56,B64		☆	1
21	70004613	PRESSER_FOOT_ASSY	OPTIONAL PARTS			1
22	40090130	PRESSER FOOT BOTTOM	FOR B32	*		1
23	40090131	PRESSER FOOT BOTTOM	FOR B40	*		1
24	40090132	PRESSER FOOT BOTTOM	FOR B48	*		1
25	40082975	PRESSER FOOT BOTTOM	FOR B56,B64	*		1
26	70004612	PRESSER_FOOT_BOTTOM	OPTIONAL PARTS	*		1
27	40070224	PRESSER FOOT HINGE	EXCEPT OPTIONAL PARTS	*		1
28	13467907	PRESSER_FOOT_SHANK	OPTIONAL PARTS	*		1
29	SM6040800SP	SCREW		*		1
30	13375209	PIVOT PIN		*		1
31	SM8030412TP	SCREW		*		1
32	13377106	SPRING		*		1
33	40070226	P F YIELDING SECTION	EXCEPT OPTIONAL PARTS	*		2
34	40038032	YIELDING SECTION	OPTIONAL PARTS	*		1
35	40070227	GUIDE PLATE	EXCEPT OPTIONAL PARTS	*		2
36	13468103	YIELDING_SECTION_PLATE	OPTIONAL PARTS	*		1
37	SM1850600SP	SCREW	EXCEPT OPTIONAL PARTS	*		2
38	SM1850600SP	SCREW	OPTIONAL PARTS	*		1
39	40070231	PRESSER FOOT GUIDE	EXCEPT OPTIONAL PARTS	*		1
40	SM6850400SP	SCREW M2.5 L=4	EXCEPT OPTIONAL PARTS	*		1
41	WP0280500SC	WASHER	EXCEPT OPTIONAL PARTS	*		1
42	SM8031002TP	SCREW	EXCEPT OPTIONAL PARTS	*		1
43	NM6030001SD	NUT M3X0.5	EXCEPT OPTIONAL PARTS	*		1
44	40070230	SPRING R	EXCEPT OPTIONAL PARTS	*		1
45	40070229	SPRING L	EXCEPT OPTIONAL PARTS	*		1
46	13375308	SPRING_L	OPTIONAL PARTS	*		1
47	PS0150065KP	SPRING PIN 1.5X6	EXCEPT OPTIONAL PARTS	*		2

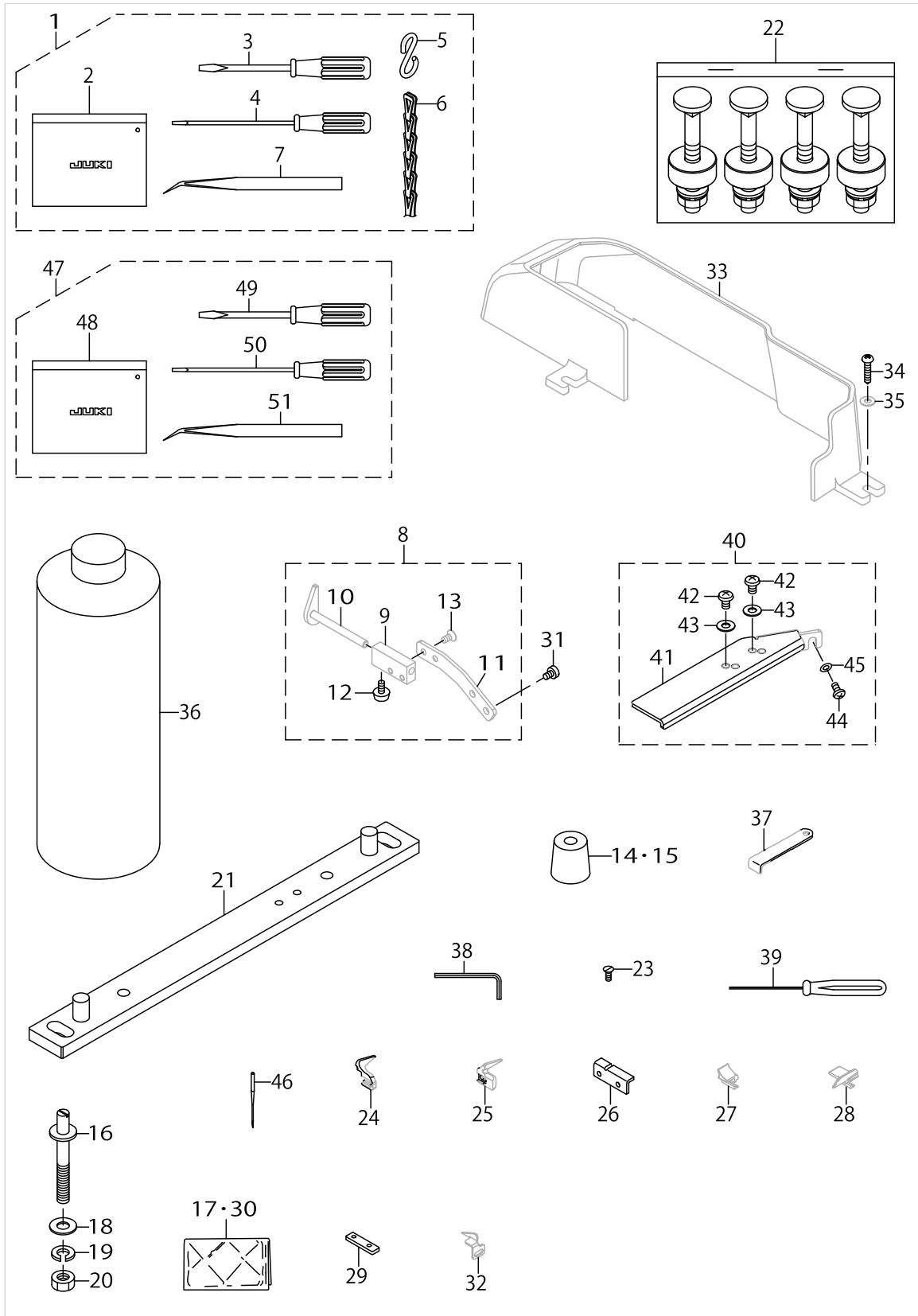
GAUGE PARTS COMPONENTS



GAUGE PARTS COMPONENTS

No.	Parts No.	Parts name	Remarks	Level	Cons	Qty
48	PS0150082KH	SPRING PIN	OPTIONAL PARTS	*		1
49	MUY128S1000	NEEDLE			☆	3
50	SM8030312TP	SCREW M3 L=3				4
51	13431200	MAIN FEED DOG			☆	1
52	13430103	MAIN FEED DOG			☆	1

ACCESSORIES PARTS COMPONENTS

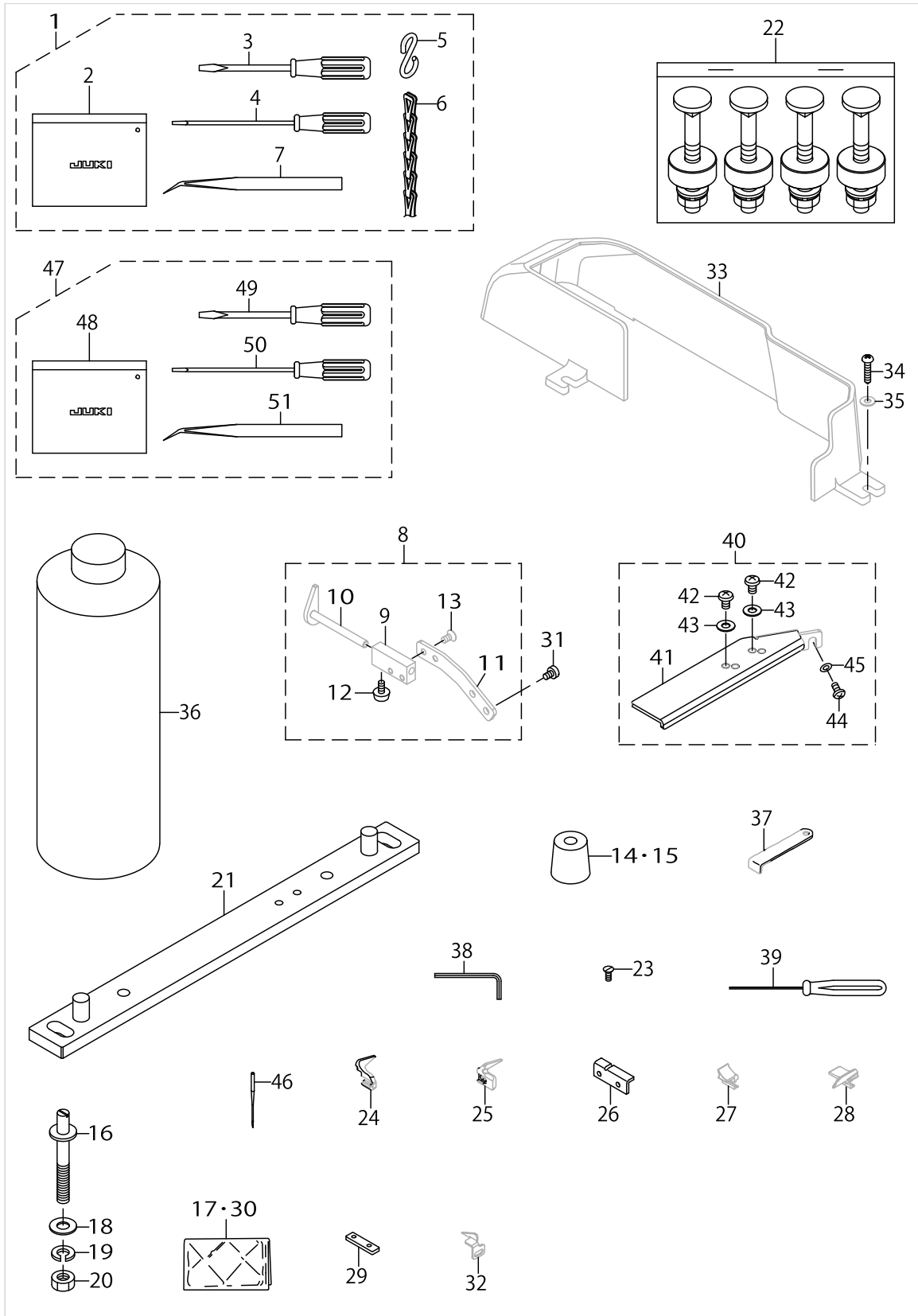


ACCESSORIES PARTS COMPONENTS

No.	Parts No.	Parts name	Remarks	Level	Cons	Qty
1	40013913	ACCESSORY BAG ASSY				1
2	22932800	ACCESSORIE BAG		*		1
3	22933105	SCREW DRIVER,MIDDLE		*		1
4	12347308	SCREW DRIVER (SMALL)		*		1
5	13160304	S SHAPED HOOK		*		2
6	70001840	CHAIN		*		1
7	12288403	TWEEZERS		*		1
8	70001964	HEM GUIDE ASSY				1
9	70001963	HEM GUIDE BASE 2		*		1
10	70001967	HEM GUIDE		*		1
11	70001962	HEM GUIDE BASE 1		*		1
12	40019379	KNOB SCREW		*		1
13	SM1040801SC	SCREW M4X0.7 L=8		*		2
14	40072505	ISOLATOR				1
15	13155403	ISOLATOR				3
16	13349600	PIN FOR RUBBER CUSHION				4
17	40066644	HEAD_COVER	FOR UT			1
18	WP0851216SC	WASHER 8.5X18.0X1.2				4
19	WS0820002KR	SPRING WASHER, M8				4
20	NM6080001SC	NUT M8X1.25				4
21	13348859	SUPPORT PLATE ASSY	SEMI-SUBMERGED TYPE			2
22	40026691	ASSY BOLT SET(7800 SUBMERGED)	SEMI-SUBMERGED TYPE			1
23	13302203	SCREW				1
24	70001813	COVERING GUIDE RIGHT			☆	1
25	70001814	COVERING GUIDE LEFT			☆	1
26	70001847	BRACKET			☆	1
27	70001838	COVERING GUARD L			☆	1
28	70001839	COVERING GUARD R			☆	1
29	70001848	BRACKET			☆	1
30	40066645	HEAD_COVER				1
31	SM6040650TP	SCREW			☆	2
32	70001842	GUIDE LEFT			☆	1
33	70001832	BELT COVER				1
34	SK3412001SE	WOOD SCREW D=4.1 L=20				3
35	WP0450826SC	WASHER 4.5X10X0.8				3
36	MML018800CB	JUKI CORPORATION GENUINE OIL 18			☆	1
37	B9101490000	DRIVER				1
38	J106600000B	HEXAGONAL WRENCH KEY (2MM)				1
39	40032763	HEXAGONAL DRIVER(1.5)				1
40	70001845	BINDER BRACKET ASSY				1
41	70001844	BINDER BRACKET		*		1
42	SM5050855SN	SCREW M5 L=8		*		2
43	WP0550836SC	WASHER 5.5X12X0.8		*		2
44	SM4040855SP	SCREW		*		2
45	WP0450801SC	WASHER 4.5X10X0.8		*		2
46	MUY128S1003	NEEDLES(PACKAGE_OF_3)				1
47	70004227	ACCESSORY BAG ASSY	FOR UT			1



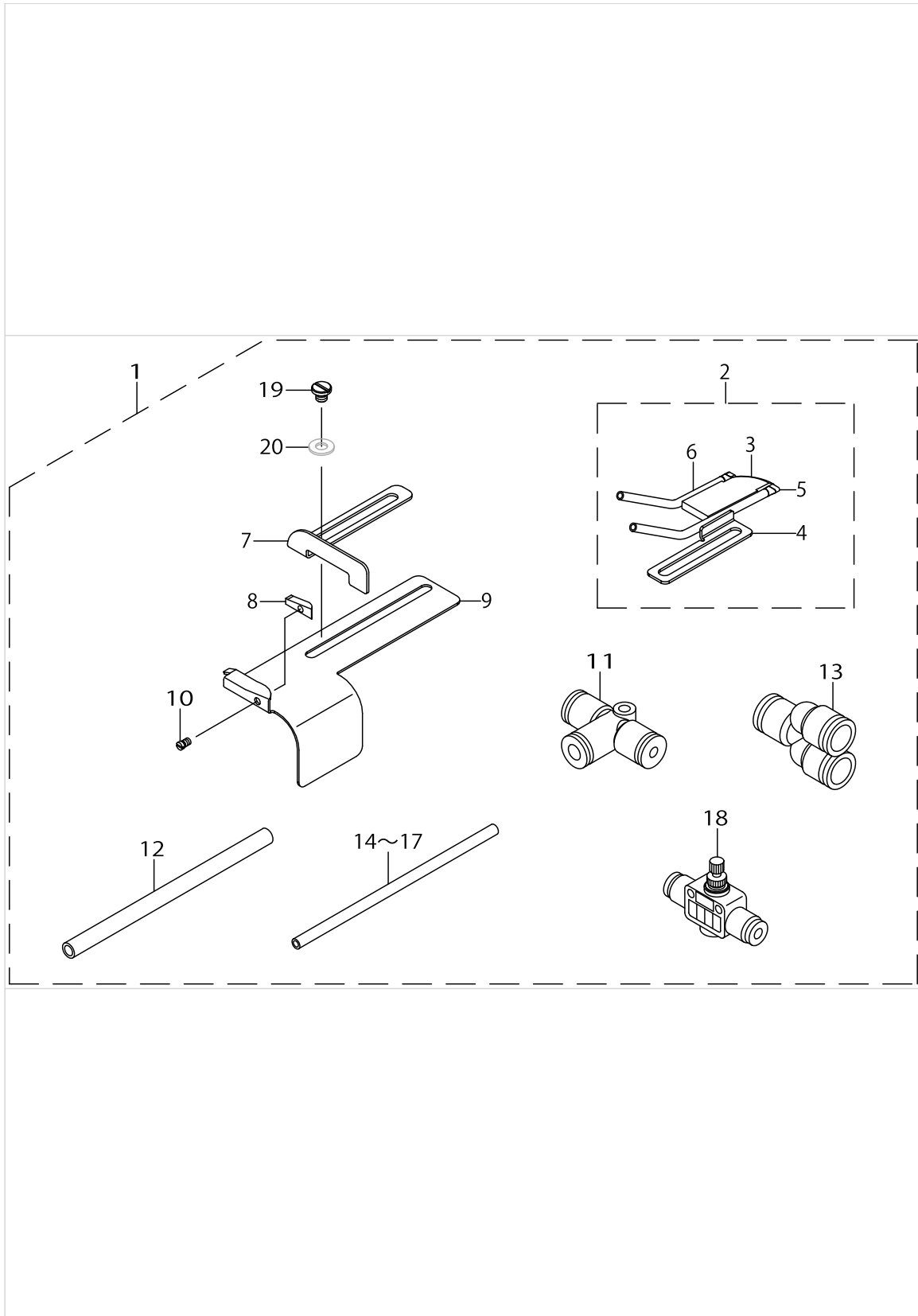
ACCESSORIES PARTS COMPONENTS



ACCESSORIES PARTS COMPONENTS

No.	Parts No.	Parts name	Remarks	Level	Cons	Qty
48	22932800	ACCESSORIE BAG		*		1
49	22933105	SCREW DRIVER,MIDDLE		*		1
50	12347308	SCREW DRIVER (SMALL)		*		1
51	12288403	TWEEZERS		*		1

OPTIONAL PARTS COMPONENTS



OPTIONAL PARTS COMPONENTS

No.	Parts No.	Parts name	Remarks	Level	Cons	Qty
1	70005385	AIR_BLOW_HEM_GUIDE_DEVICE				1
2	70005042	AIR_BLOW_HEM_GUIDE_ASM		*		1
3	70005033	TUBE_BRACKFT		*		1
4	70005034	BRACKET		*		1
5	70005165	AIR_BLOW_TUBE		*		1
6	70005166	AIR_BLOW_TUBE		*		1
7	70005281	HEM_GUIDE_RIGHT		*		1
8	70005282	HEM_GUIDE_BLOCK		*		1
9	70005283	HEM_GUIDE_LEFT		*		1
10	SM6850350TP	FLAT SCREW		*		1
11	PJ305060004	TEE		*		1
12	BT0600401EB	URETHANE TUBE BLACK 6X4		*		1
13	PJ308060002	TEE UNION		*		1
14	BT0400251EB	URETHANE TUBE BLACK 4X2.5		*		1
15	BT0400251EB	URETHANE TUBE BLACK 4X2.5		*		1
16	BT0400251EB	URETHANE TUBE BLACK 4X2.5		*		1
17	BT0400251EB	URETHANE TUBE BLACK 4X2.5		*		1
18	PC012401000	SPEED CONTROLLER		*		1
19	SM6040450TP	SCREW M4 L=4		*		1
20	WP0430801SC	WASHER M4		*		1



## HOW TO MAKE USE OF THIS PARTS LIST

### 1.Explanation of codes

1)"\*"mark.....means this part is changed from the previous parts book.

As to the details of the change, refer to the "List for information of change".

2)"#01".....refer to "Note" explanation at bottom of page.

### 2.Codes on the "Qty" column

- Each numeral indicates the number of parts required.
- "0.1" and "2.5" indicate the length (in meters) of the respective parts.

3.Parentheses mean that the corresponding part is a subpart that constructs an assembly part.

4.Dotted lines on the Figures indicate assembly parts.

5.As to the parts with marks of "☆"(consumable parts) and "◎"(optional parts)on the respective parts, it is recommended to prepare spares.

### 1."注記"欄の記号説明

1) "\*"印.....前回のパーツブックに比較して今回変更された部品を意味します。

変更内容は、"変更情報リスト"を参照してください。

2) "#01".....ページ下の"注記"の説明を参照してください。

2.数量欄の数字は、個数を表し、0.1、2.5等の数値は、長さ（単位メートル）を表します。

3.数量欄の（ ）は、組部品を構成している子部品であることを意味します。

4.イラストページの-----枠は、組構成であることを意味します。

5.リストページの"☆"（消耗部品）、"◎"（オプション部品）の印がついた部品は、予備を準備しておくことをお奨めします。

# NUMERICAL INDEX OF PARTS

PART NO	PAGE	REF NO.	PART NO	PAGE	REF NO.	PART NO	PAGE	REF NO.
10753309	2	9	13312103	14	57~59	13328505	28	16
11856101	42	49	13312202	14	57~59	13328554	28	15
11856101	48	6	13312301	14	57~59	13328604	28	17
12288403	54	51	13313101	12	3	13328703	28	18
12288403	56	51	13313309	12	4	13328802	28	27
12347308	54	50	13313804	12	11	13329008	28	13
12347308	56	50	13314109	12	15	13329206	28	22
13120605	18	80	13314356	12	17	13331301	30	8
13120605	34	22	13315205	14	21·67	13332606	30	5
13123302	22	40	13315908	12	8	13338900	28	23
13140504	38	5	13317300	16	21	13340005	38	21
13142500	40	43	13318001	18	71	13340104	38	22
13155403	54	14·15	13318308	18	81	13340302	38	6
13160304	54	5	13318704	16	15~17	13343009	40	2
13170105	40	33	13318803	16	15~17	13343108	40	5
13171004	40	34	13318902	16	15~17	13343207	40	11
13217401	22	36	13321203	22	39	13343306	40	12
13217500	22	35	13323308	16	9~11	13343405	40	7
13217708	22	38	13323407	16	9~11	13343603	40	47
13228200	40	10	13323506	16	9~11	13343801	40	42
13228309	40	6	13324108	8	62	13343900	40	22
13300801	2	12	13324108	10	62	13344056	40	23
13301700	2	15	13324504	24	5	13344155	40	24
13301809	4	30	13324603	24	8	13344502	40	29
13302203	4	17	13324702	24	10	13344601	40	28
13302203	54	23	13324900	24	14	13344700	40	30
13302302	4	32	13325006	24	16	13344809	40	44
13307251	8	46	13325204	24	24	13345053	42	80
13307301	10	51	13325808	26	48	13345202	40	45
13307707	10	74	13325907	26	49	13346101	40	38
13307806	10	65~67	13326004	26	50	13346408	40	69
13308507	8	22	13326103	26	51	13346408	42	69
13309208	10	71	13326202	26	52	13348008	24	19
13309307	10	65~67	13326202	30	35	13348859	54	21
13309406	10	65~67	13326301	24	39	13349600	54	16
13311006	14	49	13326400	24	40	13350004	50	1~3
13311204	14	50	13326509	24	42	13350103	50	1~3
13311253	12	47	13326608	24	44	13350301	50	4·5
13311303	14	56	13326707	26	54	13350400	50	4·5
13311451	14	65	13326806	12	45	13350509	50	1~3
13311501	14	60	13326905	24	35	13375209	50	30
13311600	14	68	13328000	28	3	13375308	50	45·46
13311808	14	64	13328109	28	2	13377106	50	32
13311907	14	63	13328158	28	1	13399209	28	11
13311956	14	62	13328208	28	4	13401906	4	5

# NUMERICAL INDEX OF PARTS

PART NO	PAGE	REF NO.	PART NO	PAGE	REF NO.	PART NO	PAGE	REF NO.
13402003	4	24	13414503	18	61	13426002	40	4
13402706	4	37	13415708	16	26	13426051	40	1
13402805	30	36	13415906	16	29	13426101	40	8
13403605	4	39	13416003	22	9	13426200	40	9
13406707	8	2	13416052	22	8	13426408	40	36
13407903	8	30	13416102	22	10	13426754	42	64
13408307	8	75	13416201	22	11	13426903	6	68
13408307	10	75	13416409	22	16	13427257	42	78
13408406	8	7	13416458	22	15	13427307	42	87
13408505	8	9	13416508	22	19	13427455	42	71
13408604	8	31	13416607	22	17	13427604	40	41
13408703	8	28	13416706	22	23	13427703	42	68
13409107	18	66	13416854	22	22	13427752	42	67
13409602	22	4	13420005	32	8	13427802	42	61
13409651	22	3	13420104	32	11	13427851	42	60
13409701	22	5	13420203	32	15	13428008	42	93
13409800	4	42	13420302	32	17	13428255	42	66
13409800	22	6	13420401	32	1	13428305	42	62
13409909	22	1	13420500	32	5	13429055	48	1
13410204	16	13	13420609	32	6	13429105	48	3
13410600	16	22~24	13420906	32	18	13429204	48	4
13410709	16	22~24	13421003	32	10	13429303	48	5
13410808	16	22~24	13421201	32	2	13430103	52	51·52
13411152	18	82	13421300	32	12	13431200	52	51·52
13411202	18	84	13421409	32	19	13432109	50	15·16
13411301	18	76	13422001	34	1	13433503	50	15·16
13411400	18	75	13422605	34	8	13467907	50	27·28
13411509	16	36	13422704	34	19	13468103	50	35·36
13411707	18	64	13422803	34	21	13765607	42	63
13411806	18	69	13422902	34	26	22901805	2	34
13411905	18	52	13423009	34	24	22902506	2	2
13412002	18	49~51	13423306	34	42	22924708	2	11
13412101	18	49~51	13423405	34	35	22932800	54	48
13412200	18	49~51	13423504	34	39	22932800	56	48
13412705	22	20	13423603	34	38	22933105	54	49
13413208	22	21	13423702	34	43	22933105	56	49
13413604	18	58	13423801	34	46	22945505	24	43
13413703	18	89	13423900	34	14	22945802	24	41
13413802	18	90	13424304	34	9	23537202	12	18
13413901	18	87	13424403	34	16	23612609	24	9
13413950	18	86	13424452	34	15	23629306	42	70
13414008	18	88	13424502	34	18	23629504	42	85
13414107	18	92	13424601	34	33	23630007	40	94
13414206	18	94	13424700	34	45	23630007	42	94
13414404	16	42	13424809	36	49	26019000	38	7



# NUMERICAL INDEX OF PARTS

PART NO	PAGE	REF NO.	PART NO	PAGE	REF NO.	PART NO	PAGE	REF NO.
40004749	40	18	40085792	46	8	70001478	12	35
40013913	54	1	40085793	46	6	70001480	12	5
40017824	8	35	40085794	46	3	70001481	12	6
40019163	40	25	40085795	46	4	70001483	12	9
40019335	30	13	40085796	46	21	70001485	12	13
40019379	54	12	40085995	26	55	70001486	12	19
40026691	54	22	40087068	30	3	70001487	12	29
40032763	54	39	40090130	50	22~26	70001488	12	32
40033341	2	14	40090131	50	22~26	70001489	12	33
40038032	50	33-34	40090132	50	22~26	70001490	12	34
40040155	22	33	40090133	50	17~21	70001491	12	39
40040208	22	26	40090196	50	17~21	70001492	12	42
40040513	50	11~13	40090197	50	17~21	70001493	12	43
40040514	50	11~13	40096325	46	22	70001494	12	22
40042363	38	9	40096326	46	23	70001495	12	25
40042364	38	10	40096327	46	20	70001498	12	21·67
40042365	38	11	40100769	30	34	70001499	12	7
40042366	38	12	40100771	30	26	70001500	14	66
40058033	50	11~13	40100773	30	25	70001524	16	1
40058587	50	8~10	40101602	38	13	70001525	16	2
40058706	50	8~10	40102003	38	14	70001535	10	60
40065785	38	2	40106574	46	19	70001536	10	61
40066644	54	17·30	40106575	46	2	70001537	24	3
40066645	54	17·30	40106576	46	11	70001540	24	18
40070224	50	27·28	40106579	46	12	70001541	24	29
40070226	50	33·34	40106580	46	10	70001542	24	31
40070227	50	35·36	40106581	46	9	70001543	24	32
40070229	50	45·46	40106591	46	1	70001544	26	58
40070230	50	44	70001403	18	67	70001545	26	60
40070231	50	39	70001407	2	28	70001546	24	20
40070573	12	2	70001409	2	7	70001548	24	13
40070574	12	1	70001411	2	1	70001555	28	6
40072505	54	14·15	70001414	4	40	70001558	28	10
40074316	24	25	70001416	2	5	70001559	28	14
40082196	4	15	70001421	2	13	70001584	30	38
40082974	50	17~21	70001436	6	54	70001610	38	1
40082975	50	22~26	70001437	8	43	70001612	38	4
40085784	46	13	70001439	8	44	70001613	38	18
40085785	46	7	70001440	10	54	70001614	38	19
40085786	46	18	70001441	10	57	70001615	38	16
40085787	46	5	70001442	10	58	70001616	38	17
40085788	46	17	70001443	10	49	70001617	38	15
40085789	46	16	70001444	10	63	70001620	38	8
40085790	46	15	70001451	8	39	70001630	42	48
40085791	46	14	70001477	12	37	70001631	42	57

# NUMERICAL INDEX OF PARTS

PART NO	PAGE	REF NO.	PART NO	PAGE	REF NO.	PART NO	PAGE	REF NO.
70001632	42	56	70001729	30	6	70004375	30	33
70001633	42	51	70001734	30	16	70004484	8	25
70001638	10	55	70001735	30	18	70004489	8	21
70001642	6	58	70001738	30	29	70004610	50	8~10
70001643	6	59	70001745	30	31	70004611	50	14
70001645	6	56	70001749	32	3	70004612	50	22~26
70001650	4	31	70001750	32	14	70004613	50	17~21
70001652	4	45	70001753	30	42	70004636	8	1
70001653	4	3	70001754	30	12	70004640	8	5
70001655	4	2	70001758	30	43	70004733	30	41
70001657	4	1	70001761	34	27	70004734	30	22
70001661	4	10	70001762	34	30	70005033	58	3
70001663	4	21	70001765	16	45	70005034	58	4
70001667	4	12	70001769	40	32	70005042	58	2
70001668	4	26	70001770	40	39	70005165	58	5
70001670	4	27	70001813	54	24	70005166	58	6
70001671	4	35	70001814	54	25	70005281	58	7
70001677	2	22	70001830	6	62	70005282	58	8
70001678	4	46	70001831	6	61	70005283	58	9
70001680	8	15	70001832	54	33	70005385	58	1
70001681	8	4	70001837	2	27	B2546232000	16	30
70001682	8	27	70001838	54	27	B3215470000	18	74
70001683	8	29	70001839	54	28	B9101490000	54	37
70001685	8	17	70001840	54	6	B9214850000	24	21
70001686	8	20	70001842	54	32	BP30000010R	42	91
70001687	8	16	70001844	54	41	BT0400251EB	58	14~17
70001697	16	3	70001845	54	40	BT0600401EB	58	12
70001699	18	55	70001847	54	26	BT0600402EA	48	9
70001700	16	6	70001848	54	29	CM300200001	2	29
70001701	16	39	70001954	32	21	CM300200001	6	63
70001702	16	27	70001962	54	11	CM301300001	2	25
70001703	16	28	70001963	54	9	CQ200000000	18	48
70001705	18	65	70001964	54	8	CQ202000000	16	18·19
70001706	18	68	70001967	54	10	CQ300000001	8	33
70001707	22	25	70001975	42	92	CQ300000001	16	63
70001709	22	28	70001988	30	1	CQ300000001	18	63
70001710	22	29	70003316	8	41	CQ303000000	16	25
70001711	22	30	70004184	8	38	CQ303000000	28	19
70001712	22	47	70004223	28	29·31	CQ303000000	48	10
70001714	20	97	70004224	28	29·31	CS1000881TP	22	31
70001715	16	7	70004227	54	47	CS1000881TP	24	6
70001716	16	40	70004366	4	20	CS1000881TP	28	25
70001718	22	37	70004371	14	48	CS1000881TP	34	11
70001720	16	5	70004372	6	52	EA9500B0100	44	96
70001721	16	38	70004374	4	33	J106600000B	54	38

# NUMERICAL INDEX OF PARTS

PART NO	PAGE	REF NO.	PART NO	PAGE	REF NO.	PART NO	PAGE	REF NO.
MML018800CB	54	36	SB110001800	30	7	SM4040655SP	12	10
MUY128S1000	50	49	SB115000600	30	10	SM4040655SP	22	42
MUY128S1000	52	49	SB115002300	8	14	SM4040655SP	24	53
MUY128S1003	54	46	SB120001900	10	68	SM4040655SP	26	53
NM6030001SC	30	37	SB120002200	10	53	SM4040655SP	30	44
NM6030001SD	50	43	SB30800110A	14	51~54	SM4040655SP	38	23
NM6040000SN	2	19	SB30800110B	14	51~54	SM4040655SP	40	95
NM6040000SN	4	51	SB30800110C	14	51~54	SM4040655SP	42	95
NM6040000SN	6	51	SB30800110D	14	51~54	SM4040655SP	44	95
NM6040000SN	16	35	SB32600020A	34	3~7	SM4040655SP	48	8
NM6040000SN	42	97	SB32600020B	34	3~7	SM4040855SP	2	30
NM6040000SN	44	97	SB32600020C	34	3~7	SM4040855SP	4	60
NM6040002SC	46	27	SB32600020D	34	3~7	SM4040855SP	6	60
NM6050001SC	16	79	SB32600020E	34	3~7	SM4040855SP	54	44
NM6050001SC	18	79	SD055090CTP	8	18	SM4041055SP	2	8
NM6050001SC	24	45	SD0640246SP	2	20	SM4041055SP	4	50
NM6050001SC	28	8	SD0640246SP	30	21	SM4041055SP	6	50
NM6050001SC	34	23	SD0700206TP	12	16	SM4041055SP	12	41
NM6050001SC	42	90	SD0700586TP	12	24	SM4041055SP	24	15
NM6050001SE	46	28	SD080062CTH	18	60	SM4041055SP	38	20
NM6060001CP	12	27	SD080163CTH	18	54	SM4041055SP	40	46
NM6080001SC	54	20	SD080186CTH	18	59	SM4041201SC	46	24
NM6850001SC	30	40	SK3412001SE	54	34	SM4041655SP	38	3
PC012401000	58	18	SL4041081SC	48	2	SM4042501SC	46	26
PH0300252C0	4	7	SM1030400SP	6	57	SM4051055SP	6	64
PJ305060004	58	11	SM1030501SN	4	28	SM4051255SP	18	85
PJ308060002	58	13	SM1030800SM	30	4	SM4051405SE	46	25
PS0150042K0	34	20	SM1040650TP	24	38	SM4060801SE	2	21
PS0150065KP	50	47·48	SM1040750TP	26	59	SM4850455SP	22	14
PS0150082KH	24	22	SM1040800SP	4	36	SM4850455SP	30	28
PS0150082KH	52	47·48	SM1040801SC	54	13	SM48504C5SP	24	37
PS0300122KH	8	32	SM1040860SP	4	25	SM5030555SN	30	32
PS0400082KP	24	34	SM1850600SP	50	37·38	SM5050855SN	54	42
PS0500142KP	12	20	SM4030455SN	2	17	SM6030650TP	22	12
PS0500202KP	22	46	SM4030455SP	30	24	SM6030800SP	4	47
RC1900002KP	6	69	SM4030455SP	34	32	SM6040450TP	58	19
RE0300000K0	22	45	SM4030855SN	2	18	SM6040600SP	40	14
RE0500000K0	16	78	SM4030855SN	12	46	SM6040650TP	30	30
RE0500000K0	18	78	SM4030855SN	24	27	SM6040650TP	54	31
RO037180100	4	9	SM4030855SN	42	53	SM6040750TP	4	19
RO055200100	18	77	SM40405C5SP	26	56	SM6040800SP	4	22
RO068190100	18	83	SM4040655SP	2	23	SM6040800SP	12	38
RO068190100	22	27	SM4040655SP	4	53	SM6040800SP	20	95
RO118240100	34	29	SM4040655SP	6	53	SM6040800SP	24	47
RO195240100	2	10	SM4040655SP	8	40	SM6040800SP	32	4

# NUMERICAL INDEX OF PARTS

PART NO	PAGE	REF NO.	PART NO	PAGE	REF NO.	PART NO	PAGE	REF NO.
SM6040800SP	50	29	SM8040412TP	28	12	SQ0000453MZ	42	82
SM6041000SP	12	55	SM8040412TP	32	20	SQ0000454MZ	42	83
SM6041000SP	14	55	SM8040412TP	34	48	SQ2050391SD	42	72
SM6041000SP	18	91	SM8040412TP	36	48	SQ2050452MZ	42	88
SM6041000SP	28	30	SM8040512TP	12	44	SQ2060442SD	42	79
SM6041000SP	34	41	SM8040602TP	18	72	SQ2060443SD	40	74
SM6041002TP	34	47	SM8040612TP	22	18	SQ2060443SD	42	74
SM6041200SP	12	14	SM8041012TP	4	13	SQ2060451MZ	40	17
SM6041200SP	28	28	SM8050412TP	8	26	ST4040851SN	24	23
SM6041200SP	42	55	SM8050412TP	28	26	TA0290301M0	48	7
SM6041202TP	12	23	SM8050412TP	34	12	TA0400301M0	34	10
SM6042002TP	16	34	SM8050412TP	40	3	TA0500601M0	16	62
SM6043000SP	40	13	SM8050612TP	8	10	TA0500601M0	18	62
SM6050800SP	4	44	SM8050612TP	16	99	TA0600401R0	34	34
SM6050800SP	30	17	SM8050612TP	20	99	TA0620504R0	30	2
SM6051002TP	12	30	SM8050612TP	22	32	TA0850604R0	2	33
SM6051002TP	24	1	SM8050612TP	24	7	TA0980502R0	4	23
SM6051202TP	12	61	SM8050612TP	30	11	TA1050504R0	2	3
SM6051202TP	14	61	SM8050612TP	32	13	TA1250705R0	2	31
SM6051400SP	16	32	SM8050612TP	34	2	TA2000502R0	6	65
SM6051400SP	22	24	SM8050642TP	34	13	TA2050406R0	2	6
SM6051402TP	24	12	SM8050812TP	18	93	TA2351004R0	2	24
SM6051602TP	6	55	SM8050812TP	34	28	TA2351004R0	6	66
SM6051602TP	40	20	SM8060552TP	8	23	WP0280500SC	30	27
SM6052502TP	22	34	SM8060552TP	16	98	WP0280500SC	50	41
SM6061200SP	10	73	SM8060552TP	18	98	WP0280501SC	24	36
SM6061202TP	12	28	SM8060552TP	20	98	WP0320500SC	34	31
SM6061402TP	10	59	SM8060552TP	22	13	WP0320501SC	30	23
SM6061402TP	28	9	SM8060552TP	30	14	WP0410516SD	30	19
SM6061402TP	34	17	SM8060612TP	6	67	WP0430801SC	58	20
SM6062550TP	12	26	SM8060612TP	8	70	WP0450801SC	6	49
SM6081802TP	40	35	SM8060612TP	10	70	WP0450801SC	26	57
SM6083002TP	40	37	SM8060612TP	16	41	WP0450801SC	54	45
SM6850350TP	58	10	SM8060612TP	28	21	WP0450826SC	12	40
SM6850400SP	50	40	SM8060812TP	8	76	WP0450826SC	22	43
SM6850802TN	30	39	SM8060812TP	10	76	WP0450826SC	24	46
SM8030312TP	24	26	SM8060812TP	42	50	WP0450826SC	54	35
SM8030312TP	50	50	SM8060842TP	8	69	WP0450846SP	20	96
SM8030312TP	52	50	SM8060842TP	10	69	WP0460556SD	22	44
SM8030412TP	50	31	SM8061212TP	8	45	WP0522016SH	24	4
SM8031002TP	50	42	SM8080812TP	10	72	WP0531000SD	4	43
SM8040360TP	4	38	SM8550952TP	8	34	WP0531001SC	46	30
SM8040412TP	4	34	SM9061050TP	28	20	WP0550800SP	28	7
SM8040412TP	18	73	SQ0000451MZ	40	15	WP0550800SP	40	19
SM8040412TP	22	7	SQ0000452MZ	42	73	WP0550836SC	54	43

## NUMERICAL INDEX OF PARTS

PART NO	PAGE	REF NO.
WP0551016SH	12	31
WP0621016SD	22	41
WP0851216SC	54	18
WP1022016SH	28	24
WP1612616SE	46	29
WS0510002KN	24	11
WS0510002KN	46	31
WS0510002KP	4	41
WS0510002KP	24	2
WS0820002KR	54	19
WZ0641510KP	2	16
WZ0641510KP	30	20