

MODEL : MF-7500 SERIES

List No : 1595-02

# PARTS LIST

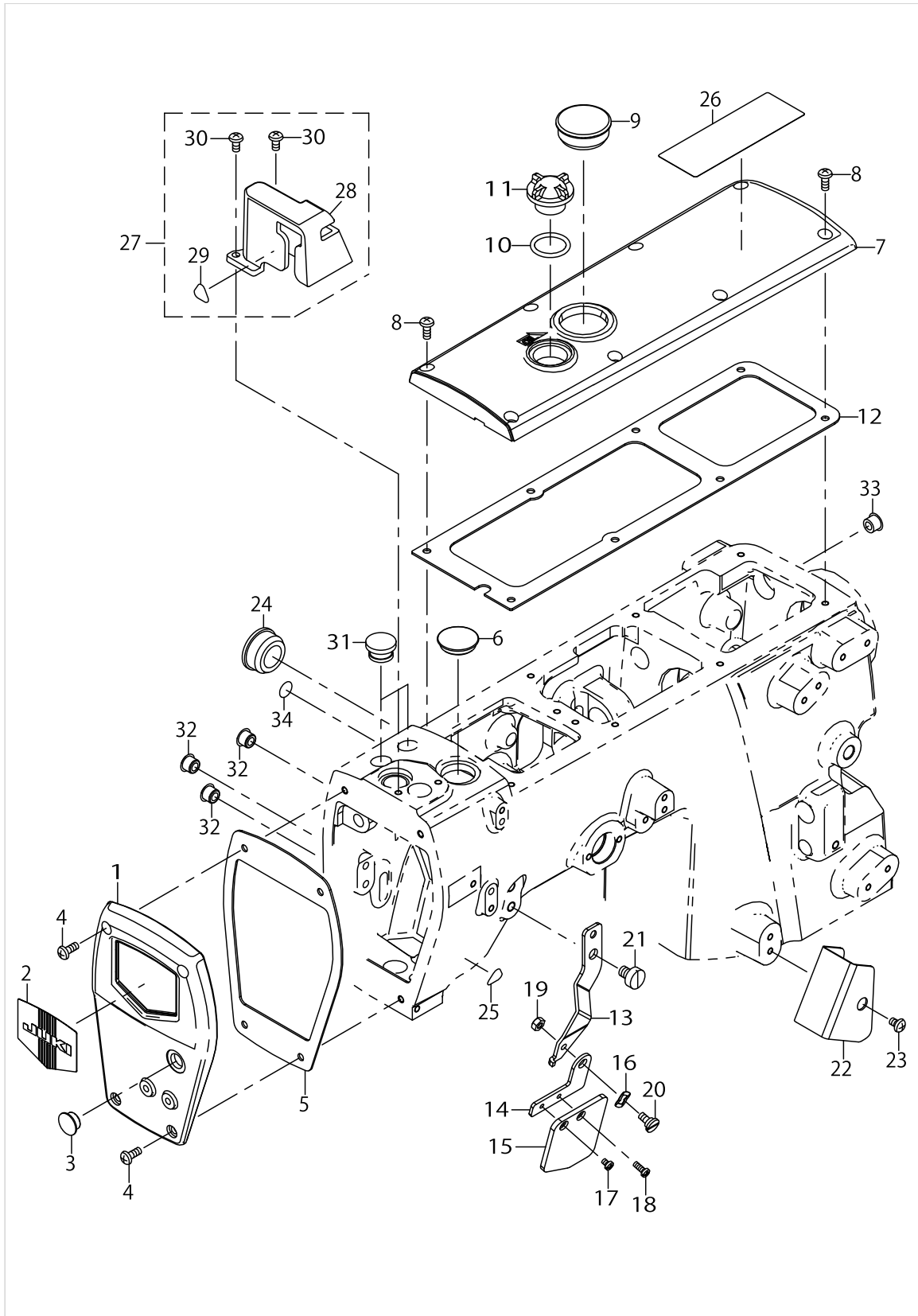
Published:09/10/2017

## CONTENTS

---

MISCELLANEOUS COVER COMPONENTS (1).....	1
MISCELLANEOUS COVER COMPONENTS (2).....	3
MAIN SHAFT COMPONENTS .....	7
NEEDLE BAR & PRESSER COMPONENTS.....	11
FEED DRIVE COMPONENTS (1).....	15
FEED DRIVE COMPONENTS (2).....	21
THREAD TAKE-UP LEVER COMPONENTS.....	23
SPREADER COMPONENTS.....	27
LOWER THREAD CAM COMPONENTS.....	29
NEEDLE GUARD COMPONENTS.....	31
LOOPER COMPONENTS .....	33
THREAD TENSION COMPONENTS .....	35
LUBRICATION COMPONENTS .....	37
THREAD STAND COMPONENTS.....	41
GAUGE PARTS COMPONENTS .....	43
NEEDLE COOLING COMPONENTS .....	47
ACCESSORIES PARTS COMPONENTS .....	49
LIST FOR INFORMATION OF CHANGE.....	51
HOW TO MAKE USE OF THIS PARTS LIST .....	52

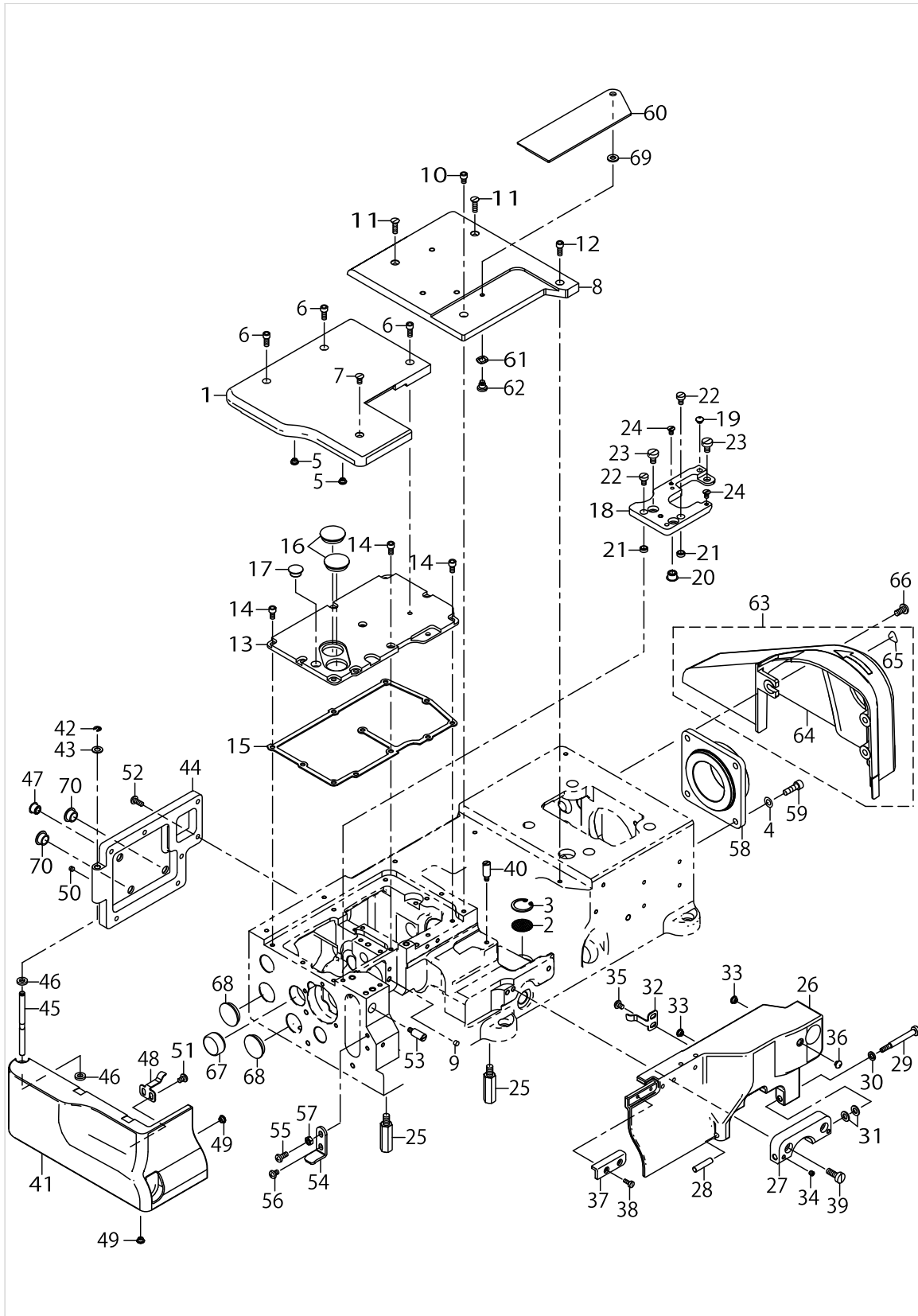
MISCELLANEOUS COVER COMPONENTS (1)



MISCELLANEOUS COVER COMPONENTS (1)

No.	Parts No.	Parts name	Remarks	Level	Cons	Qty
1	70001411	FACE COVER				1
2	22902506	PLATE				1
3	TA1050504R0	RUBBER PLUG				1
4	SM4041055SP	SCREW			☆	4
5	70001416	GASKET H				1
6	TA2050406R0	RUBBER PLUG				1
7	70001409	TOP COVER				1
8	SM4041055SP	SCREW				8
9	10753309	WINDOW PLATE RUBBER PLUG				1
10	RO195240100	O-RING				1
11	22924708	OIL SIGHT WINDOW				1
12	13300801	GASKET T				1
13	70001421	BRACKET HOLDER				1
14	40033341	BRACKET				1
15	13301700	PROTECTION SHIELD				1
16	WZ0641510KP	WAVED WASHER 6.4X11X0.3				1
17	SM4030455SN	SCREW				1
18	SM4030855SN	SCREW M3 L=8.0				1
19	NM6040000SN	NUT M4				1
20	SD0640246SP	SHOULDER SCREW D=6.35 H=2.4				1
21	SM4060801SE	SCREW				1
22	70001422	THREAD COVER				1
23	SM4040655SP	SCREW M4 L=6				1
24	TA2351004R0	RUBBER PLUG				1
25	CM300200001	FINGER INJURY CAUTION LABEL (16)				1
26	CM301300001	SAFETY LABEL				1
27	70001837	NEEDLE BAR GUARD ASSY				1
28	70001407	NEEDLE BAR GUARD		*		1
29	CM300200001	FINGER INJURY CAUTION LABEL (16)		*		1
30	SM4040855SP	SCREW		*		2
31	TA1250705R0	RUBBER PLUG				2
32	TA0850604R0	RUBBER PLUG				3
33	TA0850604R0	RUBBER PLUG				1
34	22901805	GROUND MARK				1

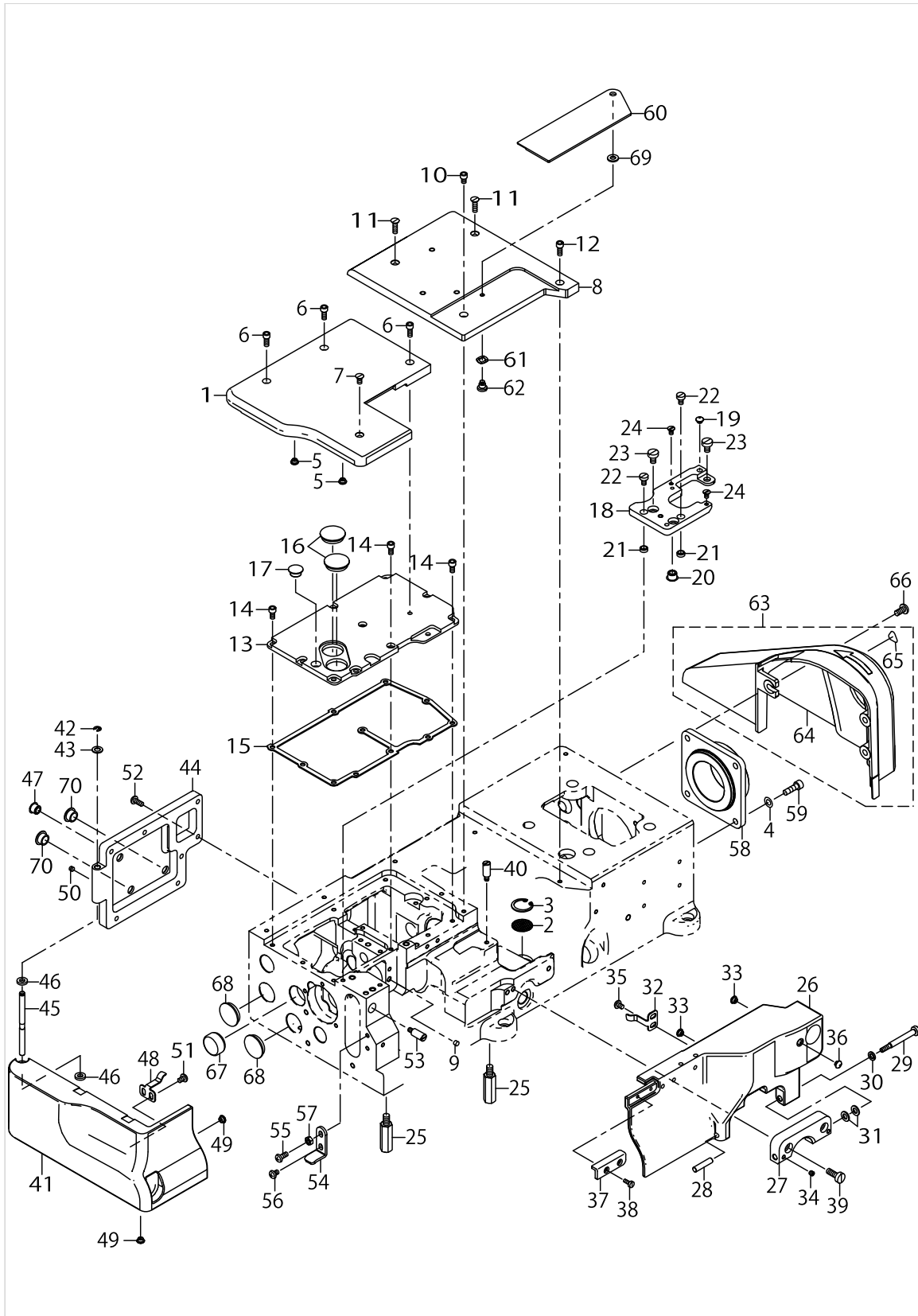
MISCELLANEOUS COVER COMPONENTS (2)



MISCELLANEOUS COVER COMPONENTS (2)

No.	Parts No.	Parts name	Remarks	Level	Cons	Qty
1	70001420	CLOTH PLATE LEFT				1
2	13426903	MESH PLATE				1
3	RC1900002KP	C-RING 19(20.5)				1
4	WP0531000SD	WASHER M5				4
5	13302302	RUBBER BUMPER				2
6	SM6041002TP	SCREW M4X0.7 L=10				3
7	SM1040800SP	SCREW				1
8	70001978	CLOTH PLATE RIGHT				1
9	TA0400301M0	PLUG D=4X4.5 L=3				1
10	SM6040602TP	SCREW M4X0.7 L=6				1
11	SM10414C0SP	SCREW				2
12	SM6041002TP	SCREW M4X0.7 L=10				1
13	70001415	BED TOP COVER				1
14	SM6040800SP	SCREW				11
15	70001423	GASKET B				1
16	TA2050416R0	RUBBER PLUG				2
17	TA1050504R0	RUBBER PLUG				1
18	70001424	THROAT PLATE SUPPORT				1
19	13302302	RUBBER BUMPER				1
20	TA0850604R0	RUBBER PLUG				1
21	40082196	ADJUSTING COLLAR			☆	2
22	SM60407C0TP	SCREW M4 L=7			☆	2
23	SM6050800SP	SCREW M5 L=8				3
24	13302203	SCREW				2
25	13301809	SUPPORT STUD				4
26	70001426	SWING DOWN COVER				1
27	70001431	HINGE				1
28	13409800	DIFF LINK PIN				1
29	70001414	SCREW				1
30	WS0510002KP	SPRING WASHER 5.1X9.2X1.3				1
31	WP0531000SC	WASHER 5.3X10X1				2
32	13304308	LATCH SPRING			☆	1
33	13302302	RUBBER BUMPER				2
34	SM8040412TP	SET SCREW M4 L=4				2
35	SM4040655SP	SCREW M4 L=6				2
36	13302302	RUBBER BUMPER				1
37	40099371	BRACKET				1
38	SM6030800SP	SCREW M3X0.5 L=8			☆	2
39	SM6051400SP	SCREW				2
40	13302104	PIN				1
41	70001418	SIDE COVER				1
42	RE0300000K0	E-RING 3				1
43	WP0550800SP	WASHER 5.5X10X0.8				1
44	70001659	FEED CHAMBER COVER				1
45	13305107	PIN FOR SIDE COVER				1
46	13302708	RUBBER WASHER				2
47	TA0850604R0	RUBBER PLUG				1

MISCELLANEOUS COVER COMPONENTS (2)

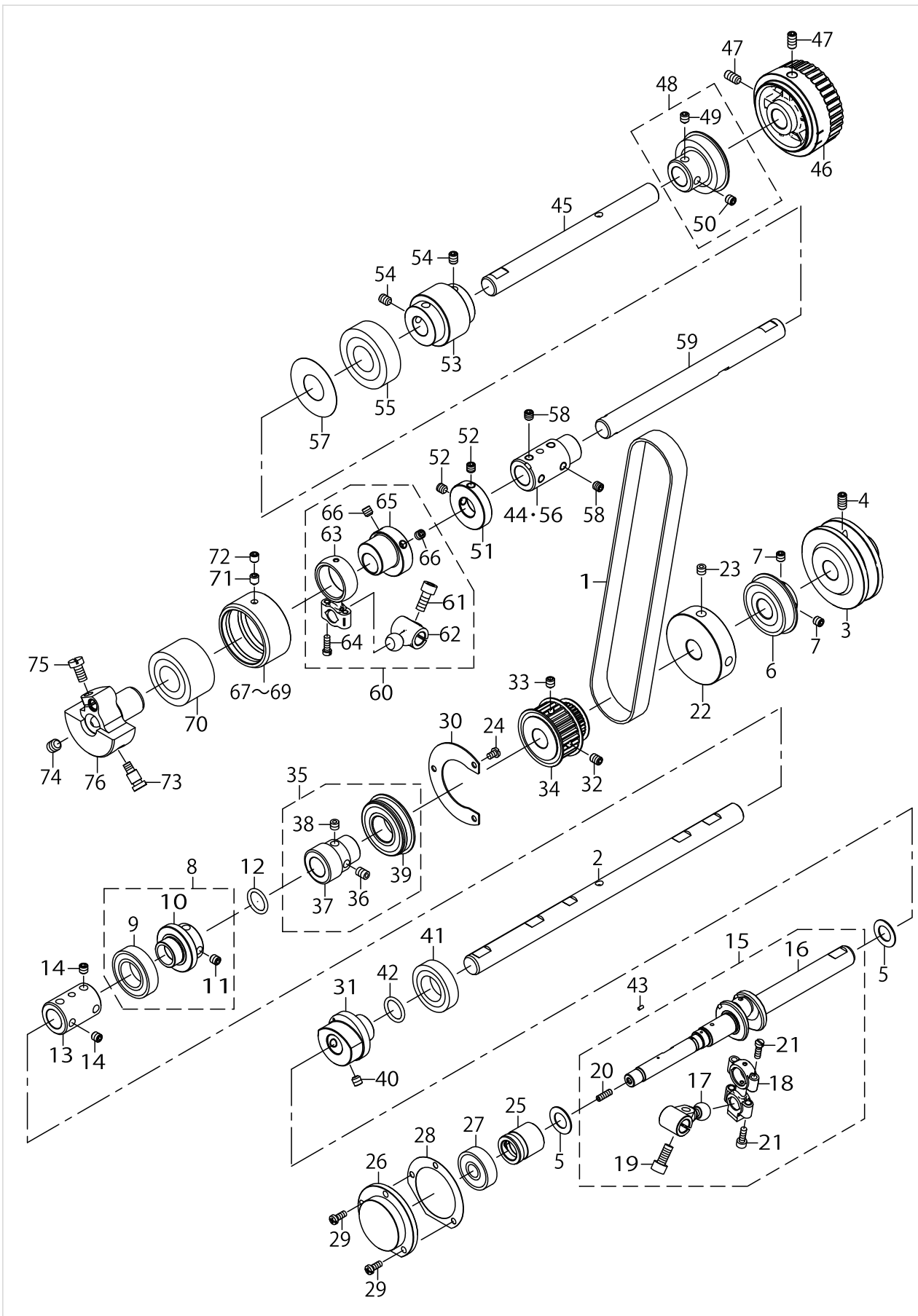


MISCELLANEOUS COVER COMPONENTS (2)

No.	Parts No.	Parts name	Remarks	Level	Cons	Qty
48	13304308	LATCH SPRING			☆	1
49	13302302	RUBBER BUMPER				2
50	SM8040312TP	SCREW M4 L=3				1
51	SM4040555SP	SCREW				2
52	SM4041055SP	SCREW				7
53	13302104	PIN				1
54	13304209	SUPPORT BRACKET				1
55	SM4041055SP	SCREW				1
56	SM4040655SP	SCREW M4 L=6				1
57	NM6040000SN	NUT M4				1
58	70001436	HOUSING				1
59	SM6051602TP	SCREW M5X0.8 L=16				4
60	70001976	SLIDE COVER				1
61	WZ0641510KP	WAVED WASHER 6.4X11X0.3				1
62	70004493	SHOULDER_SCREW				1
63	70001831	DRIVING BELT COVER ASSY				1
64	70001830	DRIVING BELT COVER		*		1
65	CM300200001	FINGER INJURY CAUTION LABEL (16)		*		1
66	SM4051055SP	SCREW				3
67	TA2101002R0	RUBBER PLUG				1
68	TA2050416R0	RUBBER PLUG				2
69	WP0501016SD	WASHER 5X10.5X1				1
70	TA1050504R0	RUBBER PLUG				2



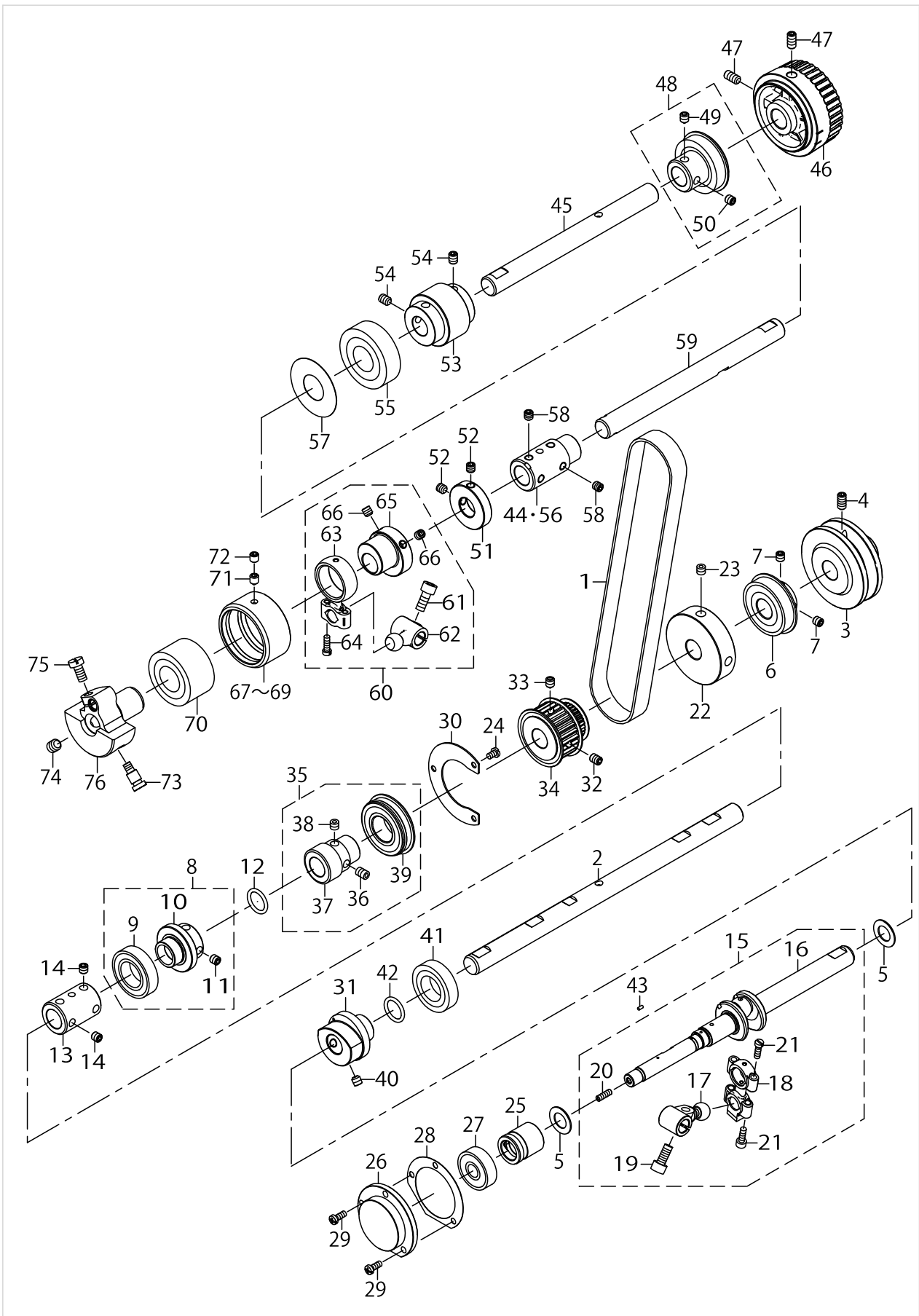
MAIN SHAFT COMPONENTS



MAIN SHAFT COMPONENTS

No.	Parts No.	Parts name	Remarks	Level	Cons	Qty
1	13308804	TIMING BELT				1
2	70001445	LOWER MAINSHAFT RIGHT				1
3	13406707	LOWER_PULLEY				1
4	SM8061212TP	SCREW M6X12				2
5	40017824	LOOPER LOD STOPPER				1
6	70004640	COUPLING_E_ASSY				1
7	SM8060612TP	SCREW M6 L=6				2
8	13308457	BEARING ASSY C				1
9	70004197	BEARING		*		1
10	40018922	COUPLING C		*		1
11	SM8060612TP	SCREW M6 L=6		*		2
12	RO148240200	O-RING				1
13	13307509	JOINT				1
14	SM8060612TP	SCREW M6 L=6				4
15	70004630	LMS_LEFT_ASSY				1
16	70004631	LOWER_MAINSHAFT_LEFT		*		1
17	70004633	LOOPER_DRIVE		*		1
18	70004632	LOOPER_ROD_DRIVE		*		1
19	SM6061402TP	SCREW M6 L=14		*		1
20	SM8040412TP	SCREW M4X4		*		1
21	13324108	SCREW		*		4
22	70003316	FLY_WHEEL				1
23	SM8060612TP	SCREW M6 L=6				2
24	SM4040655SP	SCREW M4 L=6				3
25	70001447	BUSHING LMS MIDDLE				1
26	70001448	BUSHING LMS LEFT				1
27	70005086	BEARING				1
28	13308705	GASKET FOR BUSHING LEFT				1
29	SM4041055SP	SCREW				3
30	70001451	THRUST PLATE				1
31	70001453	BEARING HOLDER				1
32	SM8060812TP	SCREW M6 L=8				1
33	SM8060842TP	SCREW M6 L=8				1
34	70004184	LMS SPROCKET				1
35	70004489	LMS_WORM_ASSY				1
36	SM8060552TP	SCREW M6 L=5		*		1
37	13308507	COUPLING D		*		1
38	SM8060842TP	SCREW M6 L=8		*		1
39	70004484	BEARING		*		1
40	SM8060612TP	SCREW M6 L=6				2
41	SB120001500	BEARING				1
42	RO148240200	O-RING				1
43	40035711	OIL WICK				2
44	70003331	COUPLING B	FOR UT35,UT37			1
45	70001437	UPPER MAINSHAFT RIGHT				1
46	70001439	UPPER_PULLEY				1
47	SM8061212TP	SCREW M6X12				2

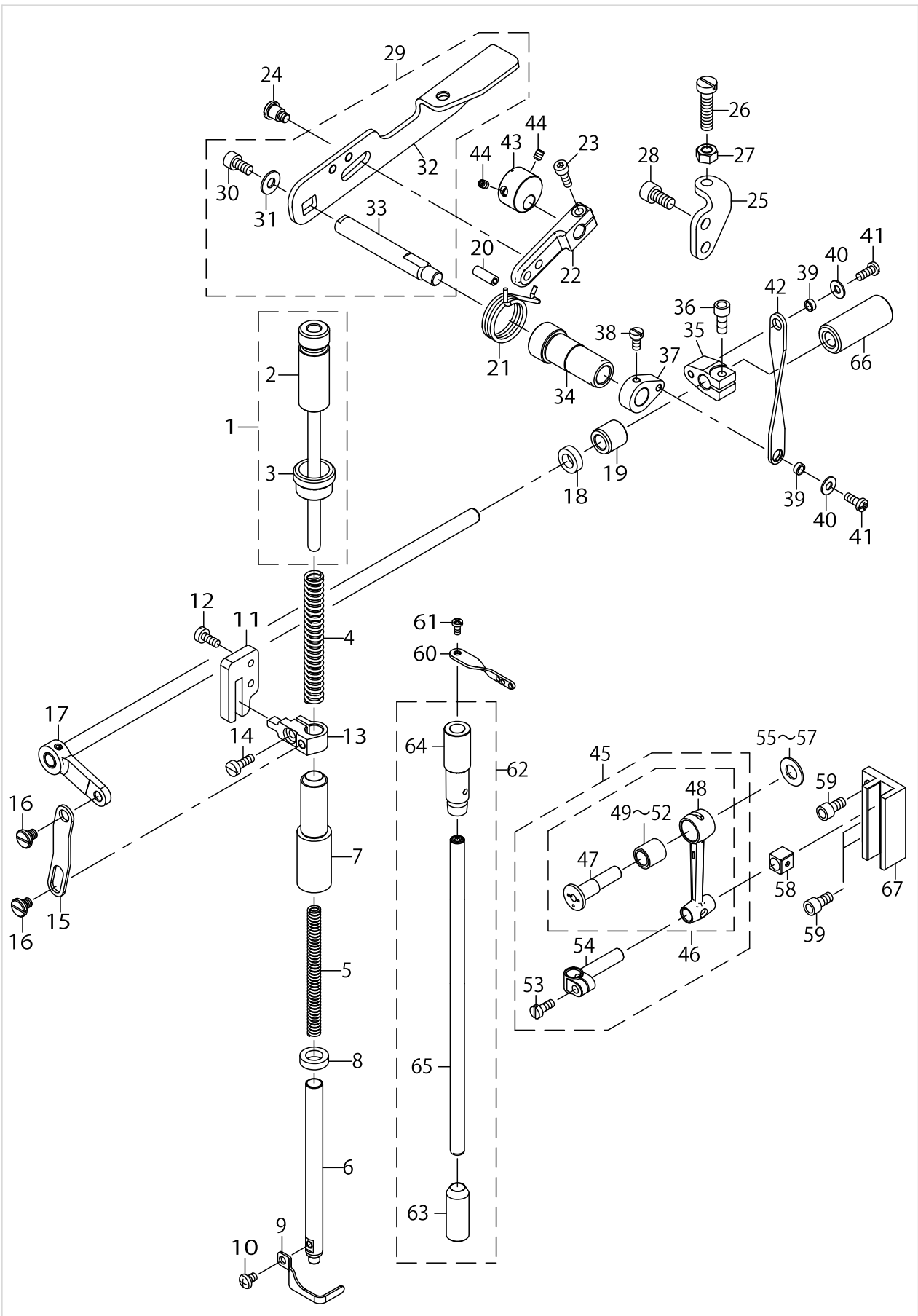
MAIN SHAFT COMPONENTS



MAIN SHAFT COMPONENTS

No.	Parts No.	Parts name	Remarks	Level	Cons	Qty
48	13307251	BEARING ASSY A				1
49	SM8060842TP	SCREW M6 L=8		*		1
50	SM8060612TP	SCREW M6 L=6		*		1
51	70001443	COLLAR				1
52	SM8060612TP	SCREW M6 L=6				2
53	13307301	UMS SPROCKET				1
54	SM8060812TP	SCREW M6 L=8				4
55	SB120002200	BEARING				1
56	70001440	COUPLING B				1
57	70001638	BEARING COVER PLATE				1
58	SM8060612TP	SCREW M6 L=6				4
59	70001441	UPPER MAINSHAFT LEFT				1
60	70001442	TAKE UP ROD ASSY				1
61	SM6061402TP	SCREW M6 L=14		*		1
62	70001535	CRANK		*		1
63	70001536	ROD		*		1
64	13324108	SCREW		*		2
65	70001444	TAKE UP ECCENTRIC		*		1
66	SM8060612TP	SCREW M6 L=6		*		2
67	13307806	HOUSING A	SELECTIVE PARTS			1
68	13309307	HOUSING B	SELECTIVE PARTS			1
69	13309406	HOUSING C	SELECTIVE PARTS			1
70	SB120001900	BEARING				1
71	SM8060842TP	SCREW M6 L=8				1
72	SM8060612TP	SCREW M6 L=6				1
73	13309208	SCREW FOR COUNTERWEIGHT				1
74	SM8080812TP	SCREW M8X8				1
75	SM6061200SP	SCREW				1
76	13307707	COUNTER WEIGHT				1

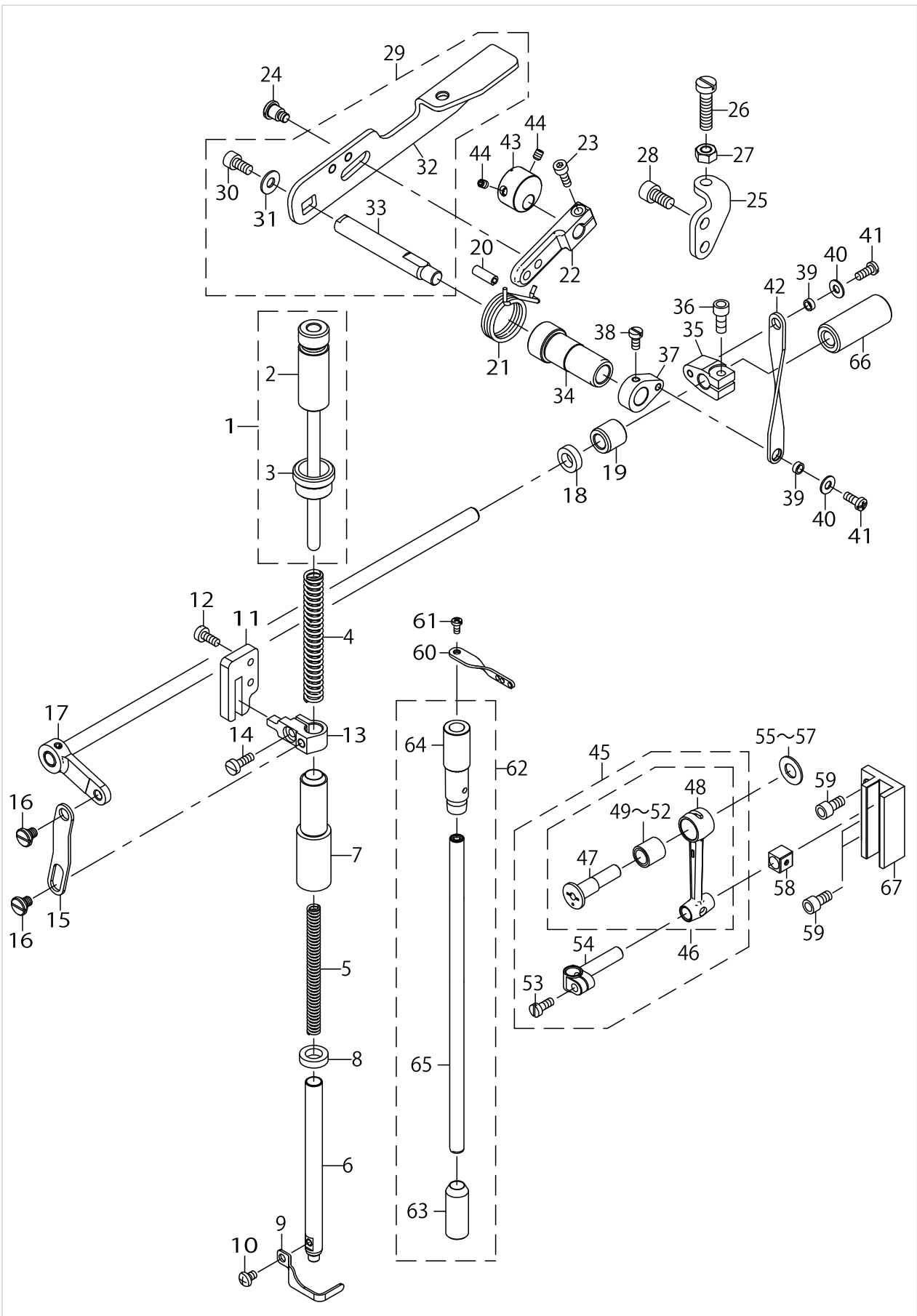
NEEDLE BAR & PRESSER COMPONENTS



NEEDLE BAR & PRESSER COMPONENTS

No.	Parts No.	Parts name	Remarks	Level	Cons	Qty
1	40070574	ADJ SCREW P B NUT ASSY				1
2	40070573	ADJ SCREW P B ASSY		*		1
3	13313101	LOCKING NUT		*		1
4	13313309	SPRING PRESSER BAR A				1
5	70001480	SPRING PRESSER BAR B				1
6	70001481	PRESSER BAR				1
7	70001499	BUSHING PRESSER BAR				1
8	13315908	OIL SEAL				1
9	70001483	FINGER GUARD				1
10	SM4040655SP	SCREW M4 L=6			☆	1
11	13313804	GUIDE PLATE				1
12	SM6041000SP	SCREW M4 L=10				2
13	70001485	PRESSER BAR BRACKET				1
14	SM6041200SP	SCREW M4 L=12				1
15	13314109	LINK				1
16	SD070020CTP	SHOULDER SCREW D=7 H=2				2
17	13314356	ASSY LIFTER SHAFT				1
18	23537202	HOOK SHAFT OIL SEAL				1
19	70001486	BUSHING LIFTER FRONT				1
20	PS0500142KP	SPRING PIN TYPE W 5X14				1
21	70001498	SPRING LIFTER LEVER				1
22	70001494	TENSION RELEASE LEVER				1
23	SM6041202TP	SCREW M4X0.7 L=12				1
24	SD070058CTP	SHOULDER SCREW D=7 H=5.8				1
25	70001495	LIFTER LEVER STOPPER				1
26	SM60625C0TP	SCREW M6 L=25			☆	1
27	NM6060001CP	NUT M6X1 TYPE1				1
28	SM6061202TP	SCREW M6 L=12				2
29	70001487	LIFTER LEVER ASSY				1
30	SM6051002TP	SCREW M5X0.8 L=10		*		1
31	WP0551016SH	WASHER 5.5X13X1		*		1
32	70001488	LIFTER LEVER		*		1
33	70001489	LIFTER LEVER SHAFT		*		1
34	70001490	BUSHING LIFTER LEVER				1
35	70001478	LIFTER SHAFT LEVER				1
36	SM6051202TP	SCREW M5X0.8 L=12				1
37	70001477	LIFTER LEVER COLLAR				1
38	SM6040800SP	SCREW				1
39	70001491	SPACER				2
40	WP0450826SC	WASHER 4.5X10X0.8				2
41	SM4041055SP	SCREW				2
42	70001492	LIFTER LEVER LINK				1
43	70001493	MINUTES LIFTING COLLAR				1
44	SM8040512TP	SCREW				2
45	13311253	ASSY NEEDLE MECH				1
46	70004371	ASSY_CONNECTING_ROD		*		1
47	13311006	ECCENTRIC PIN		*		1

NEEDLE BAR & PRESSER COMPONENTS

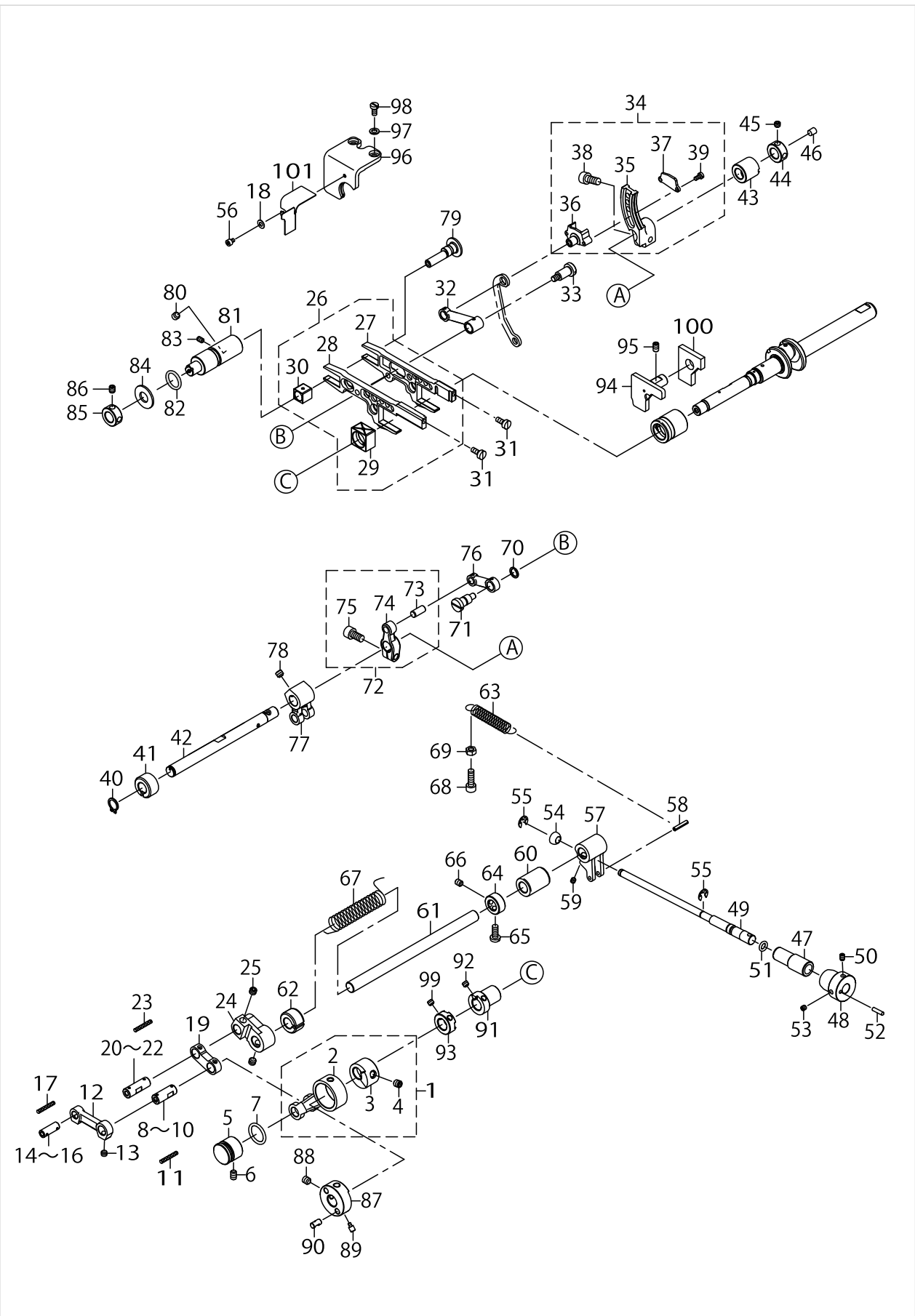


## NEEDLE BAR & PRESSER COMPONENTS

No.	Parts No.	Parts name	Remarks	Level	Cons	Qty
48	13311204	CONNECTING ROD		*		1
49	SB30800110A	BEARING	SELECTIVE PARTS	*		1
50	SB30800110B	BEARING	SELECTIVE PARTS	*		1
51	SB30800110C	BEARING	SELECTIVE PARTS	*		1
52	SB30800110D	BEARING	SELECTIVE PARTS	*		1
53	SM6041000SP	SCREW M4 L=10		*		1
54	13311303	NEEDLE BAR CLAMP		*		1
55	13312103	THRUST WASHER	SELECTIVE PARTS			1
56	13312202	THRUST WASHER	SELECTIVE PARTS			1
57	13312301	THRUST WASHER	SELECTIVE PARTS			1
58	13311501	SLIDE BLOCK				1
59	SM6051202TP	SCREW M5X0.8 L=12				3
60	13326806	NEEDLE BAR EYELET				1
61	SM4030855SN	SCREW M3 L=8.0				1
62	13311956	ASSY BUSHING NB				1
63	13311907	BUSHING NB LOWER		*		1
64	13311808	BUSHING NB UPPER		*		1
65	13311451	NEEDLE BAR ASSY		*		1
66	70001500	BUSHING LIFTER REAR				1
67	13311600	NEEDLE BAR GUIDE				1



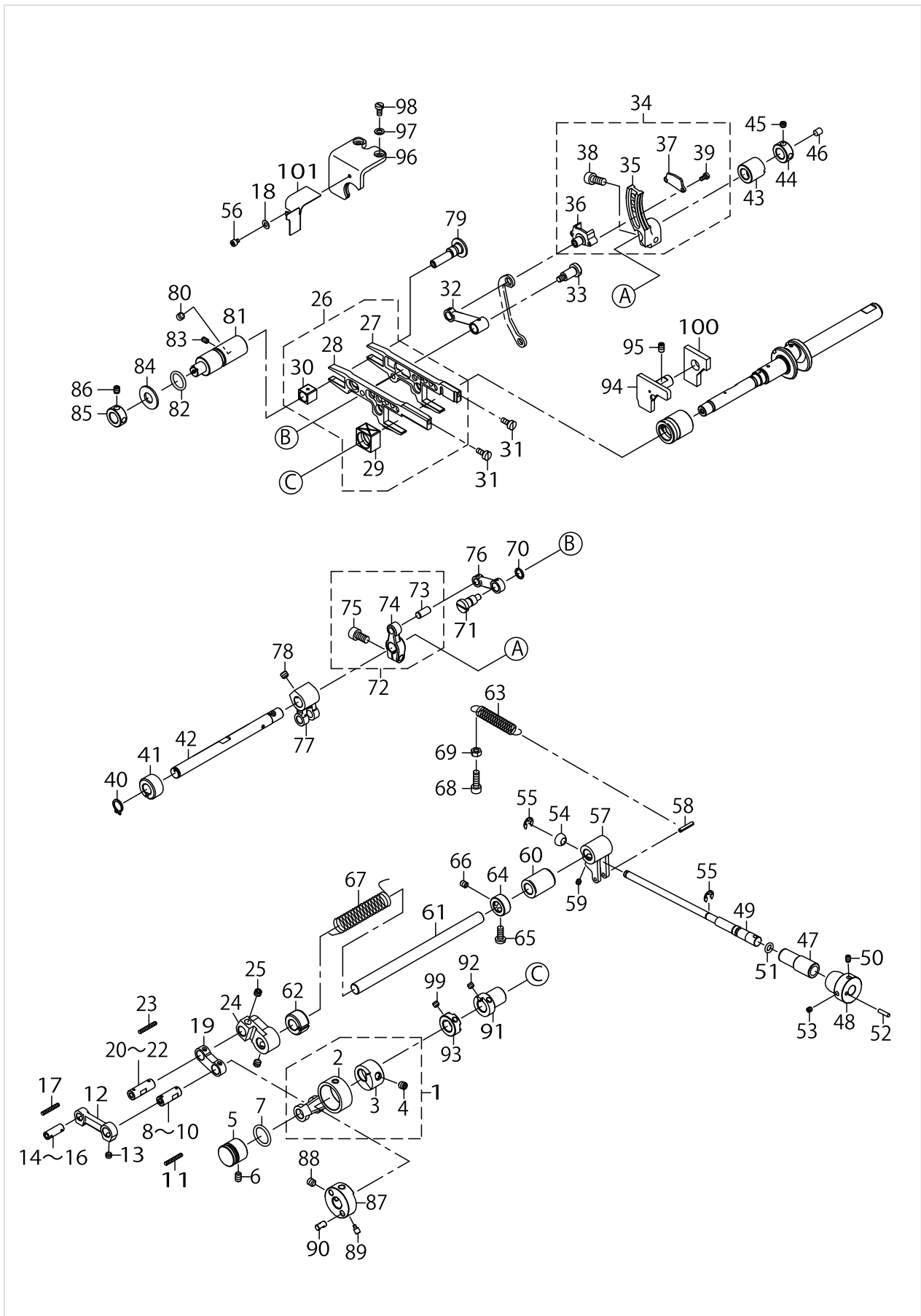
FEED DRIVE COMPONENTS (1)



FEED DRIVE COMPONENTS (1)

No.	Parts No.	Parts name	Remarks	Level	Cons	Qty
1	70001521	FEED ECCENTRIC HORIZON ASSY				1
2	70001505	CRNAK ROD		*		1
3	70001522	FEED ECCENTRIC HORIZON		*		1
4	SM8060612TP	SCREW M6 L=6		*		2
5	13323803	CRANK ROD GUIDE				1
6	SM8050812TP	SCREW M5X8				1
7	RO158240100	O-RING				1
8	13323308	FEED ADJ LINK PIN A	SELECTIVE PARTS			1
9	13323407	FEED ADJ LINK PIN B	SELECTIVE PARTS			1
10	13323506	FEED ADJ LINK PIN C	SELECTIVE PARTS			1
11	CQ303000000	COTTON OIL WICK D=3				0.07
12	13317201	MAIN FEED DRIVE LINK				1
13	SM8050612TP	SCREW M5X6				2
14	13318704	MAIN FEED CRANK PIN A	SELECTIVE PARTS			1
15	13318803	MAIN FEED CRANK PIN B	SELECTIVE PARTS			1
16	13318902	MAIN FEED CRANK PIN C	SELECTIVE PARTS			1
17	CQ303000000	COTTON OIL WICK D=3				0.04
18	WP0370316SD	WASHER 3.7X8X0.3				1
19	13317300	ADJUST LINK				1
20	13317409	FEED ADJ LINK PIN A	SELECTIVE PARTS			1
21	13317508	FEED ADJ LINK PIN B	SELECTIVE PARTS			1
22	13317607	FEED ADJ LINK PIN C	SELECTIVE PARTS			1
23	CQ303000000	COTTON OIL WICK D=3				0.08
24	13317706	MAIN FEED ADJ LEVER				1
25	SM8060552TP	SCREW M6 L=5				2
26	70001528	FEED BAR ASSY				1
27	70001959	MAIN FEED BAR		*		1
28	13321708	DIFF FEED BAR		*		1
29	70001509	SLIDE BLOCK		*		1
30	13322409	SLIDE BLOCK		*		1
31	SM6041000SP	SCREW M4 L=10				2
32	13319702	DIFF FEED LINK				1
33	SD0801326TH	SHOULDER SCREW D=8 H=13.2				1
34	13319959	DIFF DRIVE ARM ASSY				1
35	13319900	DIFF DRIVE ARM		*		1
36	13320007	DIFF FEED PIN		*		1
37	13320106	DIFF FEED PIN PLATE		*		1
38	SM6061402TP	SCREW M6 L=14		*		1
39	SM6030600SP	SCREW M3X0.5 L=6		*		2
40	RC0100001KP	C-RING 10 (9.3)				1
41	70001510	BUSHING FEED FRONT				1
42	13319009	ROCKER SHAFT				1
43	70001511	BUSHING FEED REAR				1
44	CS1000881TP	THRUST COLLAR D=10 W=8				1
45	SM8050612TP	SCREW M5X6				2
46	TA0500601M0	PLUG D=5X5.4 L=6				1
47	13318209	BUSHING FEED ADJUST				1

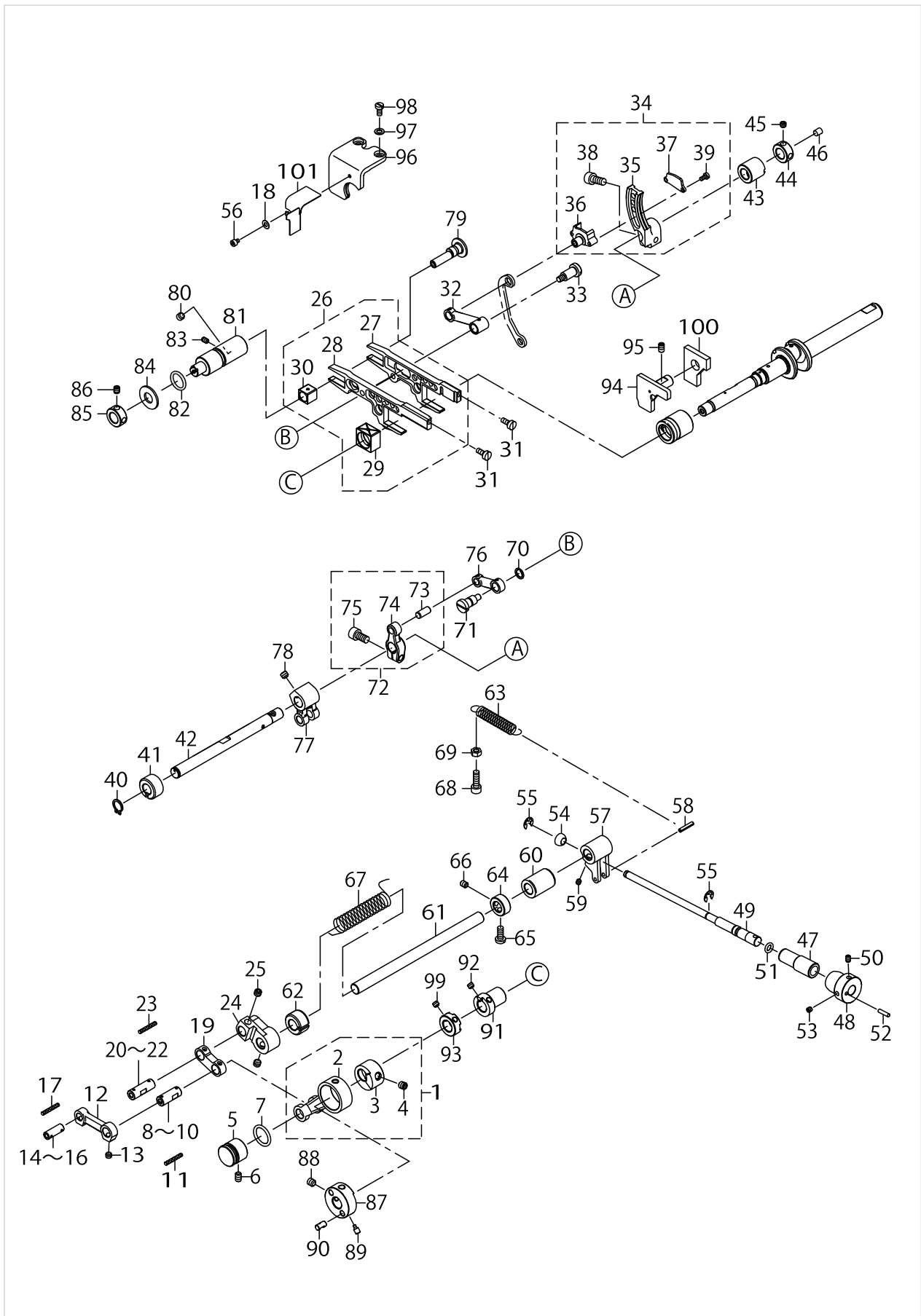
FEED DRIVE COMPONENTS (1)



FEED DRIVE COMPONENTS (1)

No.	Parts No.	Parts name	Remarks	Level	Cons	Qty
48	13318001	KNOB FEED ADJUST				1
49	13318100	SHAFT FEED ADJUST				1
50	SM8040602TP	SCREW M4X0.7 L=6				1
51	RO055200100	O-RING				1
52	B3215470000	PIN				1
53	SM8040412TP	SCREW M4X4				1
54	13318308	STOPPER FEED ADJUST				1
55	RE0500000K0	E-RING				2
56	SM6030402TP	SCREW M3X0.5 L=4				1
57	13317904	FEED ADJUST LEVER				1
58	PS0300162KH	SPRING PIN 3X16				1
59	SM8050612TP	SCREW M5X6				1
60	70001512	BUSHING FEED ADJUST				1
61	13317805	FEED ADJUST SHAFT				1
62	70001510	BUSHING FEED FRONT				1
63	13318506	TORSIN SPRING				1
64	CS1000881TP	THRUST COLLAR D=10 W=8				1
65	SM4051255SP	SCREW				1
66	SM8050612TP	SCREW M5X6				1
67	B2556280000	SPRING				1
68	SM6051602TP	SCREW M5X0.8 L=16				1
69	NM6050001SC	NUT M5X0.8 TYPE1				1
70	RC0741013KP	C-RING 8 (7.4)				1
71	13398409	SHOULDER SCREW				1
72	70001513	MAIN FEED ROCKER ASSY				1
73	13319405	MAIN FEED ROCKER PIN		*		1
74	70001506	MAIN FEED ROCKER		*		1
75	SM6061202TP	SCREW M6 L=12		*		1
76	13319504	MAIN FEED LINK				1
77	13318605	MAIN FEED CRANK				1
78	SM80606A2TP	SCREW M6 L=6				2
79	13322201	ECCENTRIC PIN				1
80	SM8060552TP	SCREW M6 L=5				1
81	13322003	FEED BAR SHAFT				1
82	RO137230100	O-RING				1
83	SM8040612TP	SCREW M4 L=6				1
84	13322102	WASHER FEED BAR SHAFT				1
85	CS1000881TP	THRUST COLLAR D=10 W=8				1
86	SM8050612TP	SCREW M5X6				2
87	70001523	POSITIONING CAM HORIZON				1
88	SM8060612TP	SCREW M6 L=6				2
89	70001524	FEED ECCENTRIC SCREW				1
90	70001525	FEED ECCENTRIC PIN				1
91	70001526	FEED ECCENTRIC				1
92	SM8050412TP	SCREW M5 L=4				2
93	70001527	POSITIONING CAM VERTICAL				1
94	70001507	FEED BAR GUIDE 1				1

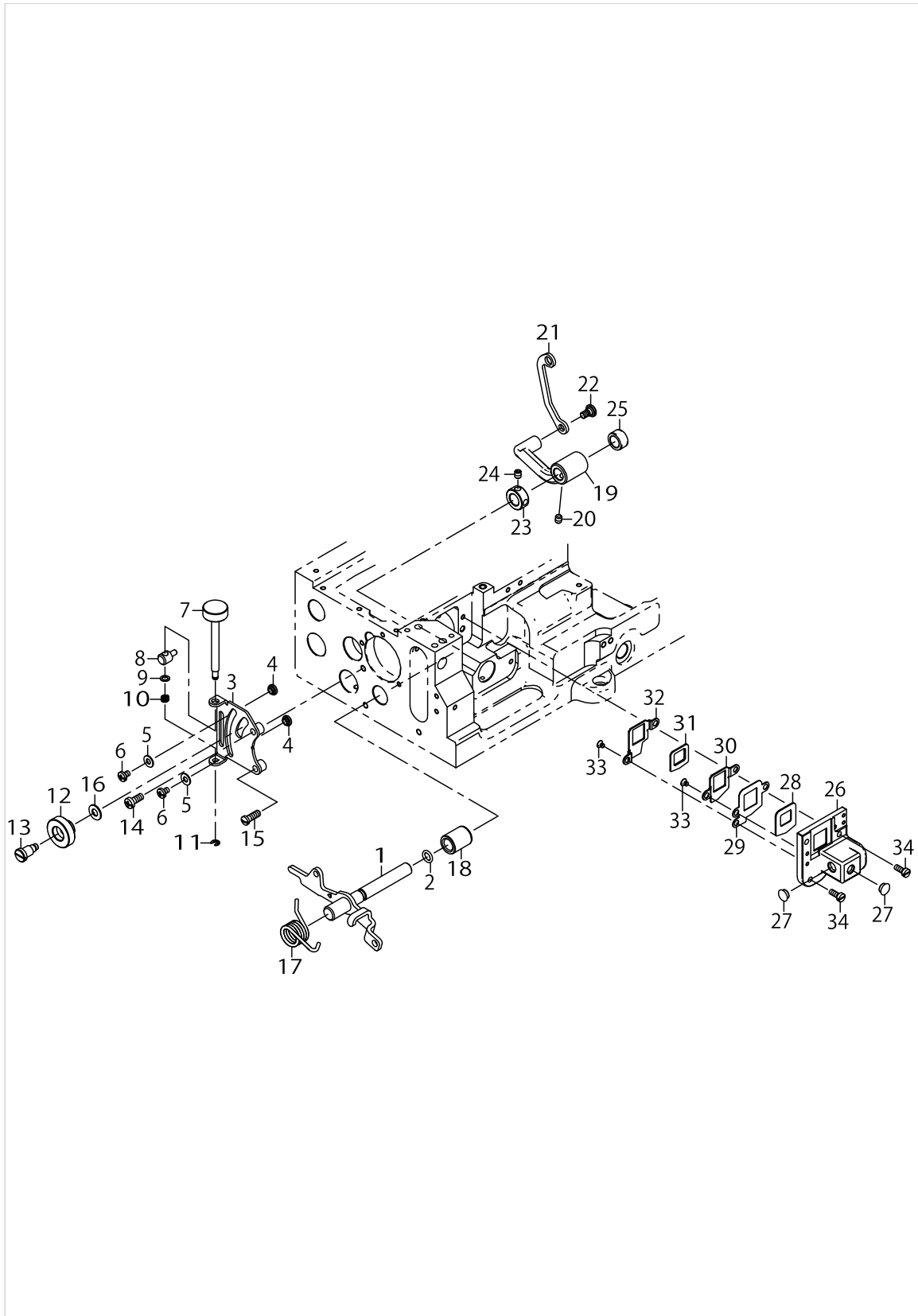
FEED DRIVE COMPONENTS (1)



FEED DRIVE COMPONENTS (1)

No.	Parts No.	Parts name	Remarks	Level	Cons	Qty
95	SM8050812TP	SCREW M5X8				1
96	70001508	FEED BAR GUIDE 2				1
97	WP0480856SP	WASHER 4.8X8.4X0.8				2
98	SM6040800SP	SCREW				2
99	SM8050412TP	SCREW M5 L=4				2
100	70001532	FELT FOR FEED BAR GUIDE				1
101	70001533	OIL PROTECTION SHEILD				1

FEED DRIVE COMPONENTS (2)

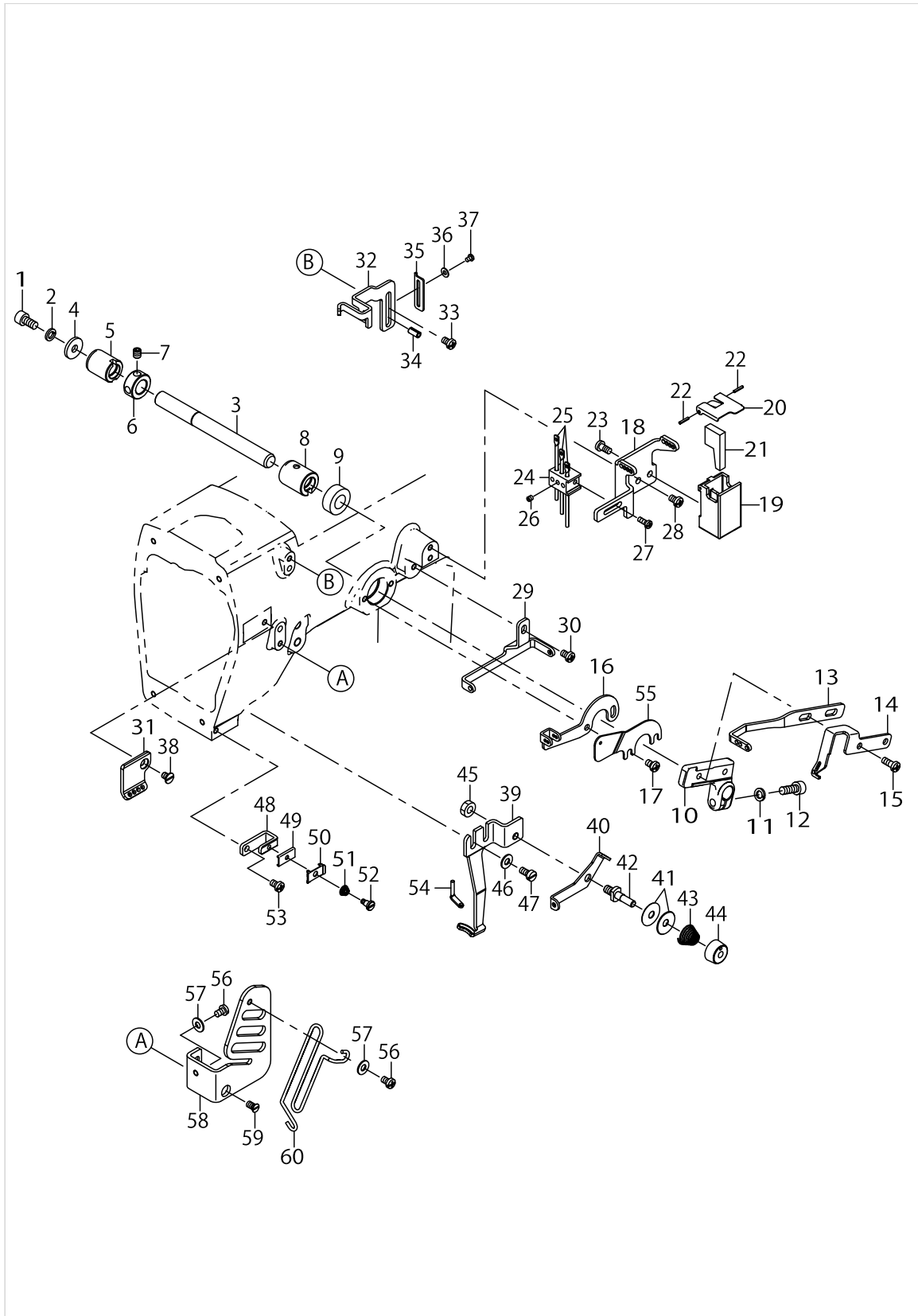


FEED DRIVE COMPONENTS (2)

No.	Parts No.	Parts name	Remarks	Level	Cons	Qty
1	40040206	DIFF FEED LEVER ASSY				1
2	RO068190100	O-RING				1
3	40039630	PLATE DIFF FEED LEVER				1
4	13321203	STOPPER DIFF ADJ				2
5	WP0450826SC	WASHER 4.5X10X0.8				2
6	SM5040655SN	SCREW				2
7	70001530	SCREW				1
8	13217708	DIFFERENTIAL FEED BLOCK				1
9	WP0460556SD	WASHER 4.6X7.5X0.5				1
10	13123302	ADJUSTING SPRING				1
11	RE0300000K0	E-RING 3				1
12	13217500	DIFFERENTIAL FEED LOCK NUT				1
13	13217401	DIFFERENTIAL FEED HINGE SCREW				1
14	SM4051255SP	SCREW				1
15	SM7051460TP	SCREW M5 L=14				1
16	WP0621016SD	WASHER 6.2X13X1				1
17	70001531	ADJUSTING LEVER SPRING				1
18	13320304	BUSHING DIFF ADJ LEVER				1
19	13320403	DIFF ADJ LEVER				1
20	SM8050612TP	SCREW M5X6				1
21	40018443	DIFF ADJ LINK				1
22	31013808	HINGE SCREW				1
23	CS1000881TP	THRUST COLLAR D=10 W=8				1
24	SM8050612TP	SCREW M5X6				2
25	13323209	BUSHING DIFF ADJ LEVER				1
26	70001589	NEEDLE GUARD BASE				1
27	TA0750404R0	PLUG D=7.5 L=3.5				2
28	70001514	FEED BAR SEAL 1			☆	1
29	70001515	FEED BAR SEAL PLATE 1			☆	1
30	70001516	FEED BAR SEAL PLATE 2			☆	1
31	70001517	FEED BAR SEAL 2			☆	1
32	70001518	FEED BAR SEAL PLATE 3			☆	1
33	SM1030400SP	SCREW M3 L=4				3
34	SM6041000SP	SCREW M4 L=10				3



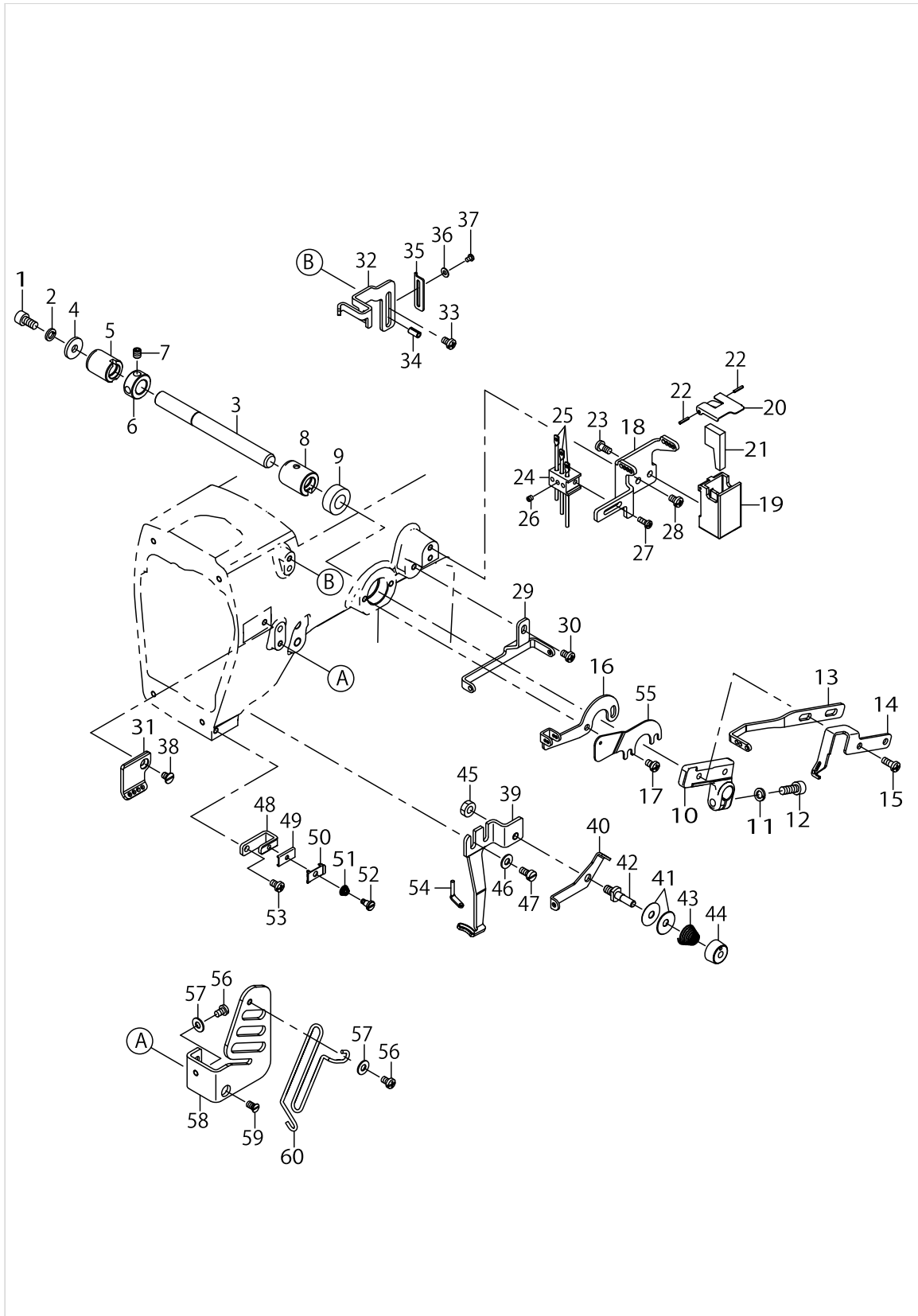
# THREAD TAKE-UP LEVER COMPONENTS



THREAD TAKE-UP LEVER COMPONENTS

No.	Parts No.	Parts name	Remarks	Level	Cons	Qty
1	SM6051002TP	SCREW M5X0.8 L=10				1
2	WS0510002KP	SPRING WASHER 5.1X9.2X1.3				1
3	70001537	SHAFT				1
4	WP0522016SH	WASHER				1
5	13324504	BUSHING REAR				1
6	CS1000881TP	THRUST COLLAR D=10 W=8				1
7	SM8050612TP	SCREW M5X6				2
8	13324603	BUSHING FRONT				1
9	23612609	FEED CHANGING SHAFT OIL SEAL				1
10	13324702	HOLDER TAKE UP EYELET				1
11	WS0510002KN	SPRING WASHER M5				1
12	SM6051402TP	SCREW M5X0.8 L=14				1
13	70001548	NDL THD TAKE UP				1
14	13324900	UP LPR THREAD TAKE UP				1
15	SM4041055SP	SCREW				2
16	13325006	THREAD GUIDE				1
17	SM4040655SP	SCREW M4 L=6				2
18	70001540	THREAD TENSION GUIDE				1
19	13348008	TANK				1
20	70001546	SILICONE OIL TANK COVER				1
21	B9214850000	HEAT REMOVING FELT				1
22	PS0150082KH	SPRING PIN 1.5X8				2
23	ST4040851SN	TAPPING SCREW M4X8				2
24	13325204	HOLDER				1
25	30391601	NEEDLE THREAD EYELET				3
26	SM8030312TP	SCREW M3 L=3				3
27	SM4030855SN	SCREW M3 L=8.0				1
28	SM4040655SP	SCREW M4 L=6				2
29	70001541	THREAD GUIDE				1
30	SM4040655SP	SCREW M4 L=6				1
31	70001542	THREAD GUIDE				1
32	70001543	NDL THD STRIKE OFF				1
33	SM4040655SP	SCREW M4 L=6				1
34	PS0400082KP	SPRING PIN TYPE W 4X8				1
35	13326905	NDL THD STRIKE OFF R				1
36	WP0280501SC	WASHER M2.6				1
37	SM48504C5SP	SCREW				1
38	SM1040650TP	SCREW				1
39	13326301	THREAD GUIDE UPPER LPR				1
40	13326400	THREAD GUIDE				1
41	22945802	THREAD TENSION DISK				2
42	13326509	TENSION POST				1
43	22945505	THREAD TENSION SPRING				1
44	13326608	TENSION NUT				1
45	NM6050001SC	NUT M5X0.8 TYPE1				1
46	WP0450826SC	WASHER 4.5X10X0.8				2
47	SM6040800SP	SCREW				2

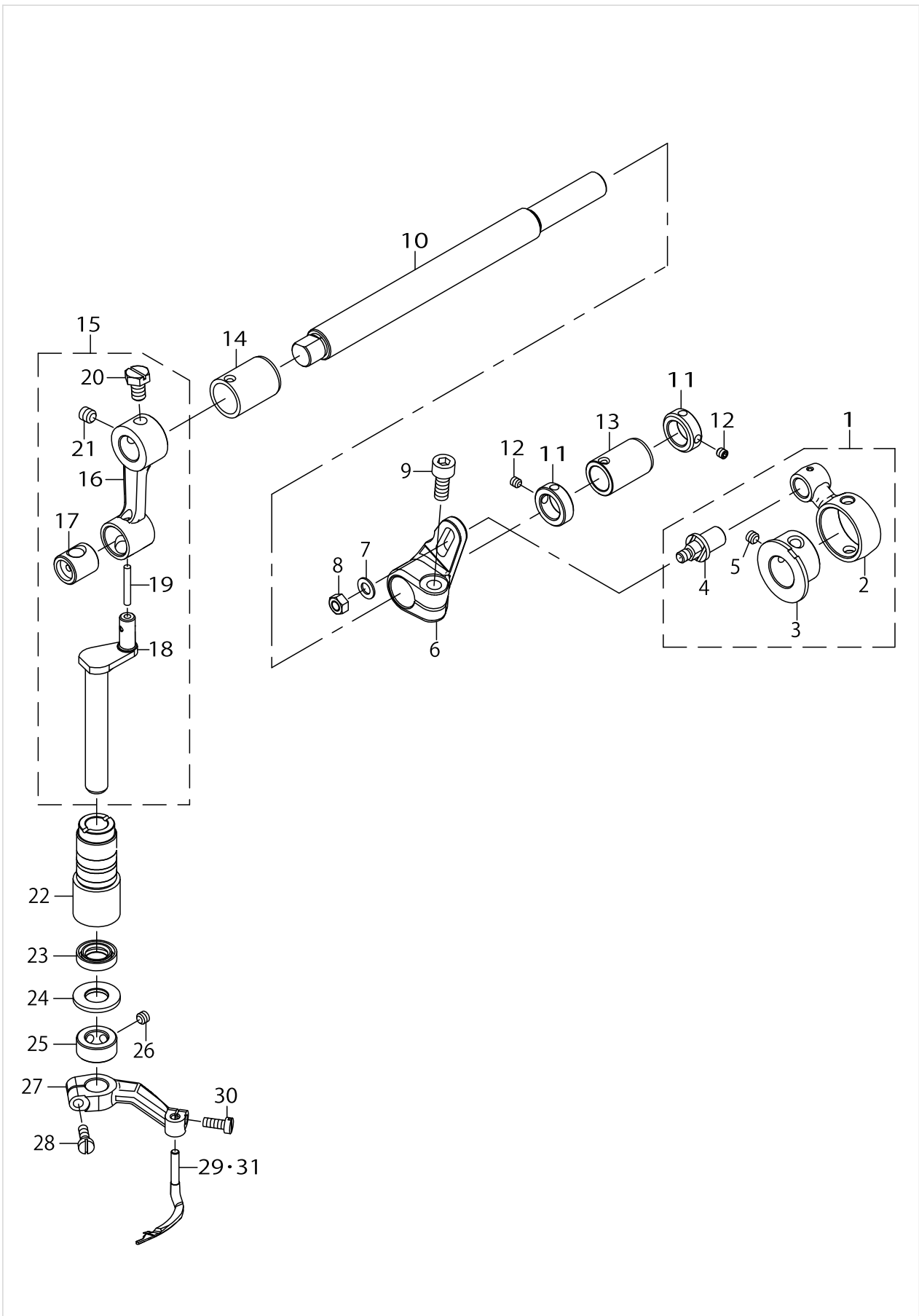
# THREAD TAKE-UP LEVER COMPONENTS



THREAD TAKE-UP LEVER COMPONENTS

No.	Parts No.	Parts name	Remarks	Level	Cons	Qty
48	13325808	NIPPER PLATE SUPPORT				1
49	13325907	NIPPER PLATE				1
50	13326004	NIPPER GUIDE PLATE				1
51	13326103	SPRING				1
52	13326202	SHOULDER SCREW				1
53	SM4040655SP	SCREW M4 L=6				1
54	13326707	THREAD GUIDE			☆	1
55	40085995	FINGER GUARD				1
56	SM40405C5SP	SCREW				2
57	WP0450801SC	WASHER 4.5X10X0.8				2
58	70001544	TAKE UP COVER				1
59	SM1040750TP	SCREW M4 L=7				1
60	70001545	FINGER GUARD				1

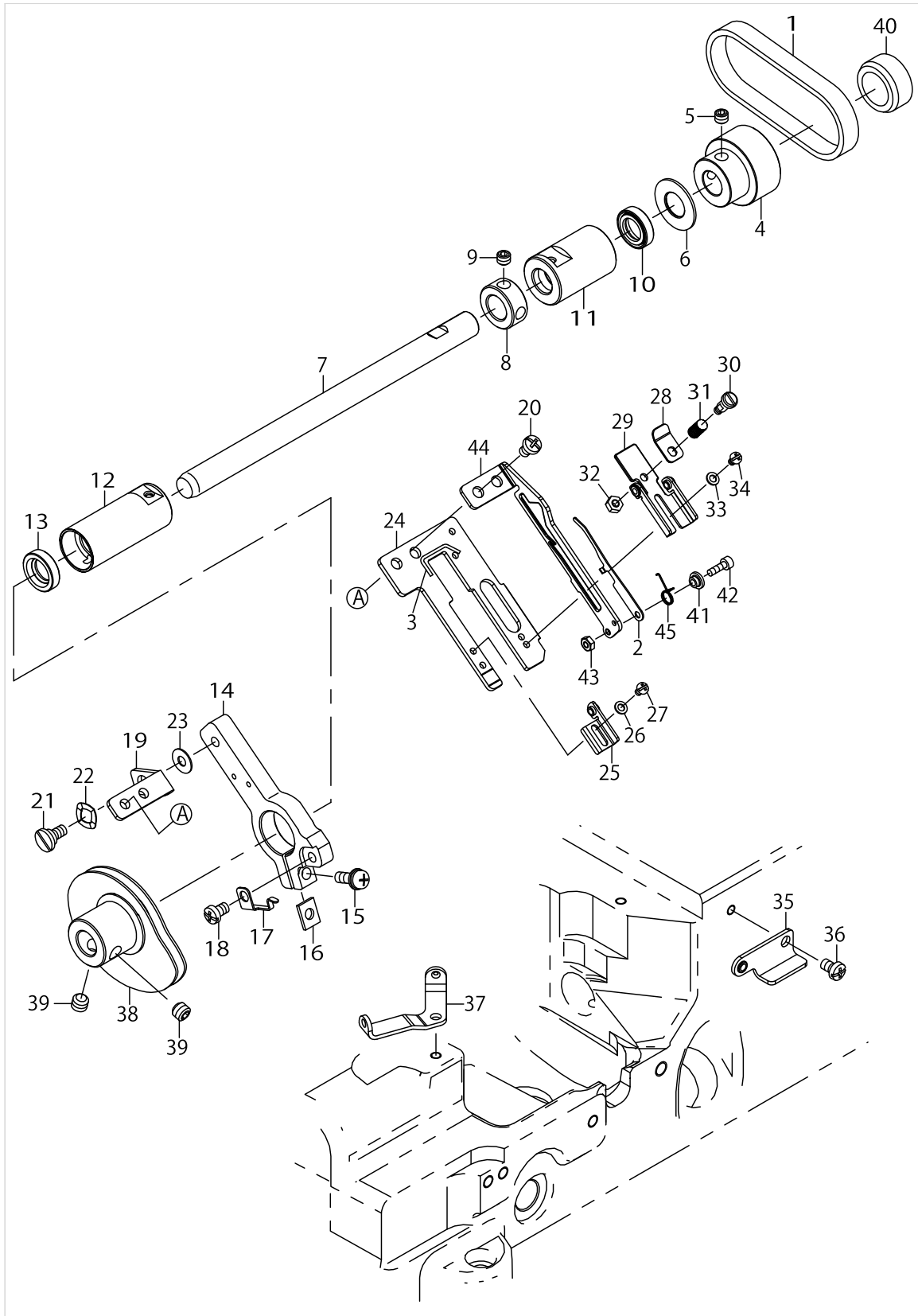
SPREADER COMPONENTS



SPREADER COMPONENTS

No.	Parts No.	Parts name	Remarks	Level	Cons	Qty
1	13328158	ASSY UPPER LPR MECH				1
2	13328109	CONNROD FOR UPPER LPR		*		1
3	13328000	UPPER LOOPER ECCENTRIC		*		1
4	13328208	STUD		*		1
5	SM8050412TP	SCREW M5 L=4		*		2
6	70001555	DRIVING ARM				1
7	WP0550800SP	WASHER 5.5X10X0.8				1
8	NM6050001SC	NUT M5X0.8 TYPE1				1
9	SM6061402TP	SCREW M6 L=14				1
10	70001558	UPPER LOOPER SHAFT				1
11	13399209	COLLAR				2
12	SM8040412TP	SCREW M4X4				4
13	13329008	BUSHING REAR				1
14	70001559	BUSHING_FRONT				1
15	13328554	ASSY UPPER LPR MECH 2				1
16	13328505	CRANK ROD		*		1
17	13328604	UPPER LOOPER ROCKER		*		1
18	13328703	UP LPR SHAFT VERTICAL		*		1
19	CQ303000000	COTTON OIL WICK D=3		*		0.05
20	SM9061050TP	SCREW M6 L=10		*		1
21	SM8060612TP	SCREW M6 L=6		*		1
22	13329206	BUSHING VERTICAL				1
23	13338900	OIL SEAL				1
24	WP1022016SH	WASHER				1
25	CS1000881TP	THRUST COLLAR D=10 W=8				1
26	SM8050412TP	SCREW M5 L=4				2
27	13328802	UPPER LOOPER HOLDER				1
28	SM6041200SP	SCREW M4 L=12			☆	1
29	70004223	UPPER_LOOPER	EXCEPT TYPE TURKEY		☆	1
30	SM6041000SP	SCREW M4 L=10			☆	1
31	70004224	UPPER_LOOPER	TYPE TURKEY		☆	1

# LOWER THREAD CAM COMPONENTS

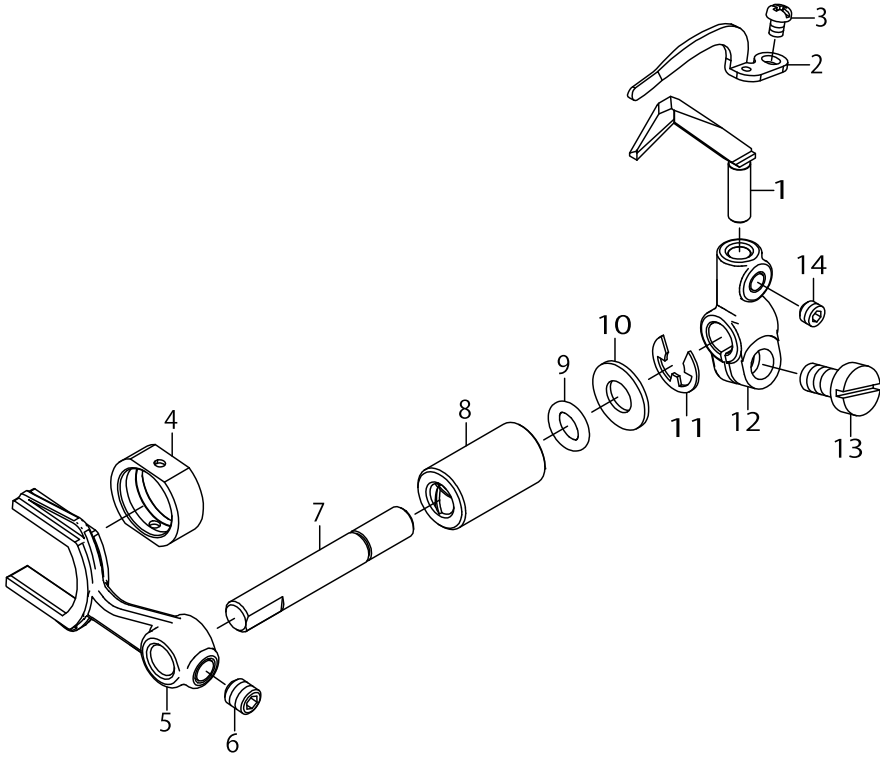


LOWER THREAD CAM COMPONENTS

No.	Parts No.	Parts name	Remarks	Level	Cons	Qty
1	70001987	BELT TAKE UP				1
2	70001582	THREAD GUIDE PLATE				1
3	40087068	CAM THREAD CATCH				1
4	70001580	SPROCKET TAKE UP				1
5	SM8050612TP	SCREW M5X6				2
6	70001581	WASHER				1
7	70001572	SHAFT TAKE UP				1
8	CS1000881TP	THRUST COLLAR D=10 W=8				1
9	SM8050612TP	SCREW M5X6				2
10	40023441	OIL SEAL				1
11	70001573	BUSHING A TAKE UP				1
12	40023481	BUSHING B TAKE UP				1
13	40023441	OIL SEAL				1
14	13332309	BASE TAKE UP PLATE				1
15	SL4041281SC	SCREW M4 L=12				1
16	13333208	WASHER			☆	1
17	13332903	SPRING			☆	1
18	SM4040655SP	SCREW M4 L=6				1
19	13332804	BRACKET				1
20	SM4040655SP	SCREW M4 L=6				2
21	SD064024CSP	SHOULDER SCREW D=6.35 H=2.4				1
22	WZ0641510KP	WAVED WASHER 6.4X11X0.3				1
23	WP0410516SD	PLAIN WASHER				1
24	70001579	TAKE UP PLATE				1
25	40100791	EYELET A ASSY			☆	1
26	WP0280500SC	WASHER				1
27	SM48504C5SP	SCREW				1
28	13333307	LPR THD DISC UPPER				1
29	40100793	LPR THD GUIDE BASE ASSY			☆	1
30	13333505	TENSION POST				1
31	13333604	LOOPER CAM SPRING				1
32	NM6030001SC	NUT M3X0.5 TYPE1				1
33	WP0280500SC	WASHER				1
34	SM4850455SP	SCREW				1
35	70001575	EYELET C ASSY				1
36	SM4040655SP	SCREW M4 L=6				1
37	13333703	EYELET D				1
38	40019335	ASSY TAKE UP			☆	1
39	SM8060552TP	SCREW M6 L=5				2
40	TA2101002R0	RUBBER PLUG				1
41	70001584	SPRING COLLAR				1
42	SM6850802TN	SCREW M2.5 L=8				1
43	NM6850001SC	NUT M2.5X0.45 TYPE1				1
44	70001585	THREAD GUIDE				1
45	70001583	THREAD GUIDE PLATE SPRING			☆	1



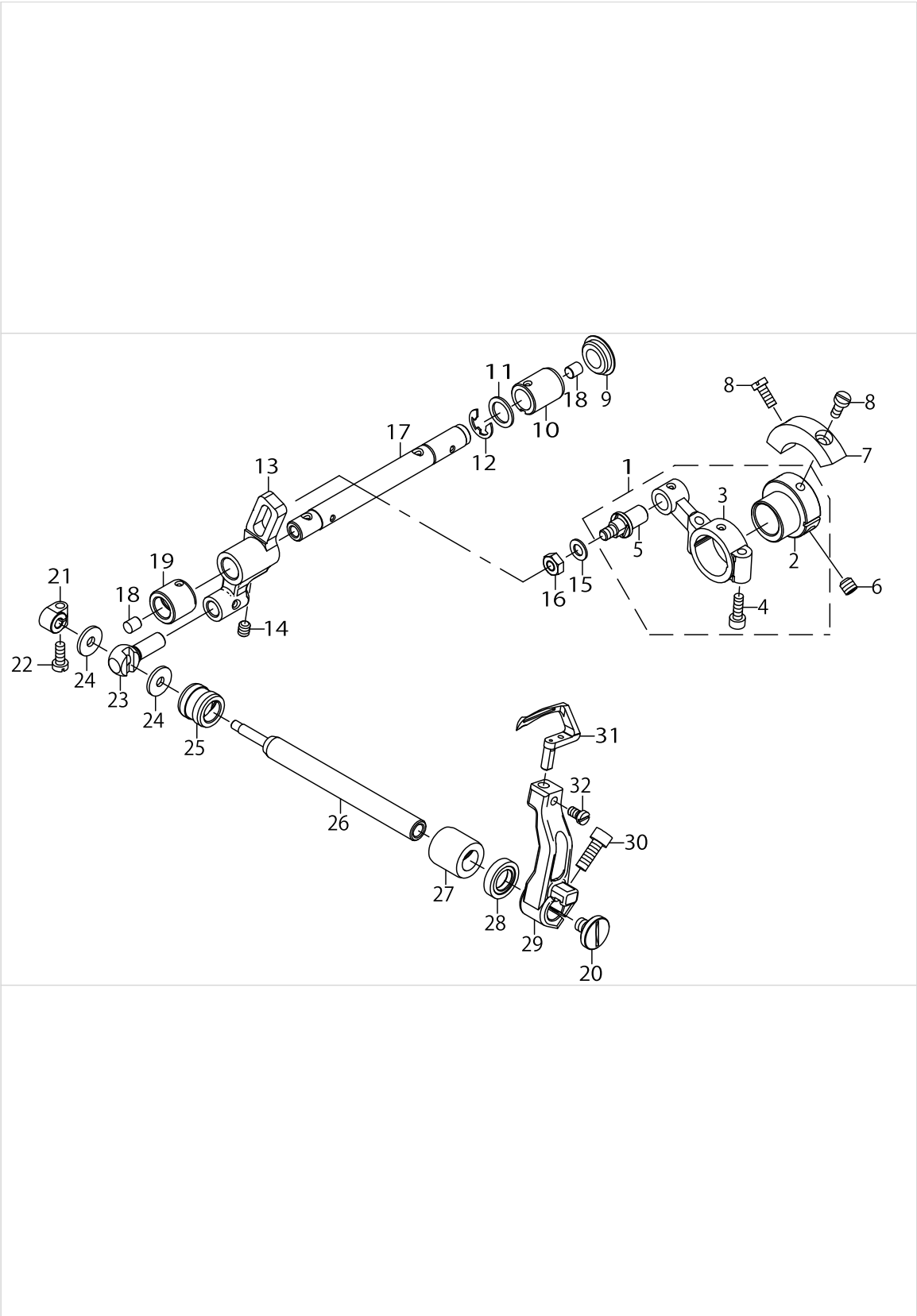
NEEDLE GUARD COMPONENTS



NEEDLE GUARD COMPONENTS

No.	Parts No.	Parts name	Remarks	Level	Cons	Qty
1	40052924	REAR NEEDLE GUARD			☆	1
2	13334701	FRONT NDL GUARD			☆	1
3	SM4850455SP	SCREW				1
4	70001592	NEEDLE GUARD BLOCK				1
5	70001587	FORK NEEDLE GUARD				1
6	SM8050612TP	SCREW M5X6				1
7	70001590	NEEDLE GUARD SHAFT				1
8	70001591	BUSHING NEEDLE GUARD				1
9	RO055200100	O-RING				1
10	WP0621016SD	WASHER 6.2X13X1				1
11	RE0500000K0	E-RING				1
12	70001588	REAR NEEDLE GUARD HOLDER				1
13	SM6051000SP	SCREW				1
14	SM8040312TP	SCREW M4 L=3				1

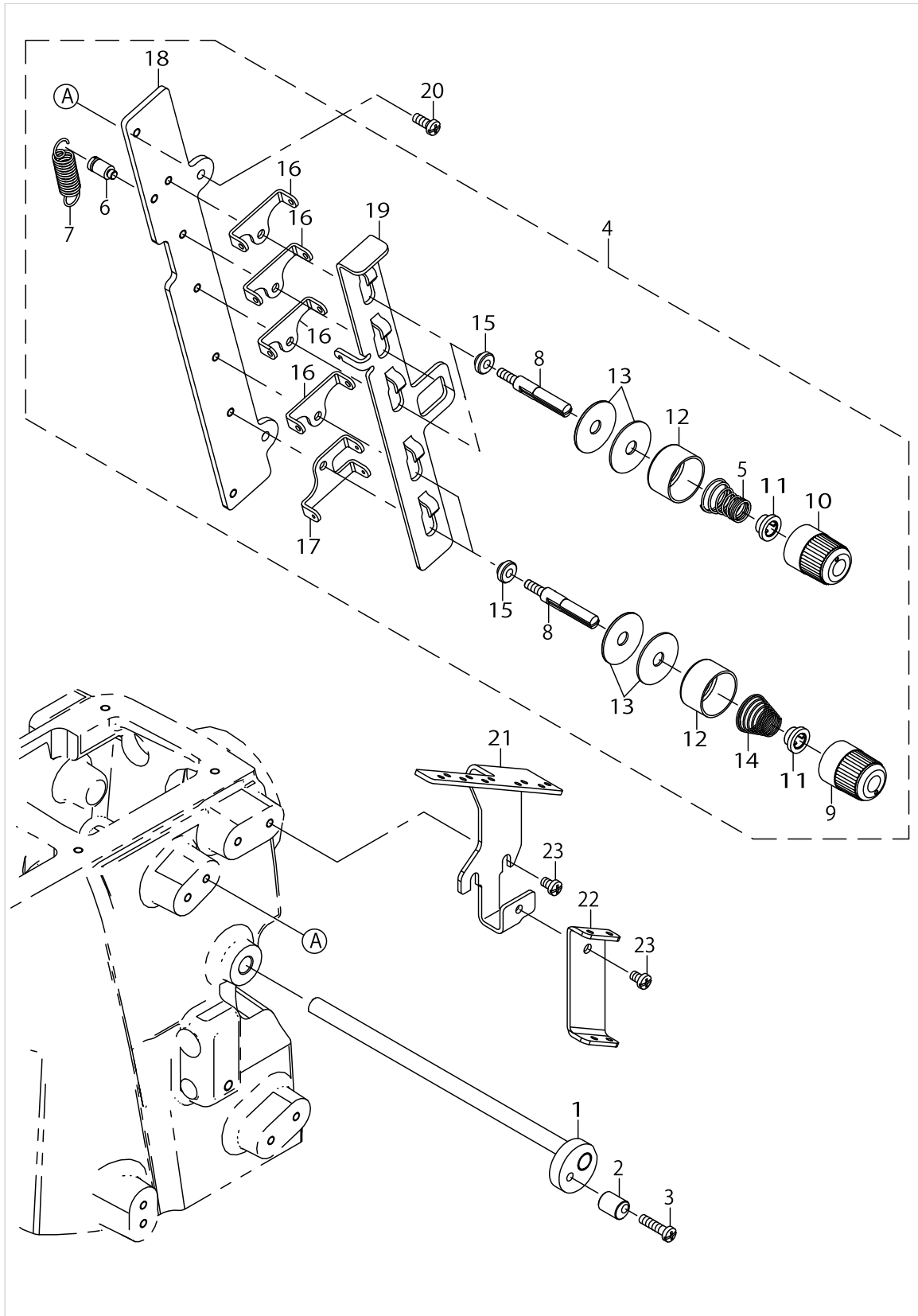
LOOPER COMPONENTS



LOOPER COMPONENTS

No.	Parts No.	Parts name	Remarks	Level	Cons	Qty
1	13337357	ECC LOOPER AVOID ASSY				1
2	13337308	ECC LOOPER AVOID		*		1
3	13337407	LOOPER ROD AVOID		*		1
4	SM6041202TP	SCREW M4X0.7 L=12		*		2
5	13337506	PIN LOOPER AVOID		*		1
6	SM8060612TP	SCREW M6 L=6				2
7	13338801	BALANCE WEIGHT LP				1
8	SM6041000SP	SCREW M4 L=10				2
9	TA1600406R0	PRUG				1
10	70001601	BUSHING LPR RIGHT				1
11	WP1021026SH	WASHER				1
12	RE0700000K0	E-RING 7				1
13	13337605	CRANK LOOPER AVOID				1
14	SM8050612TP	SCREW M5X6				1
15	WP0550800SP	WASHER 5.5X10X0.8				1
16	NM6050001SC	NUT M5X0.8 TYPE1				1
17	13338504	LOOPER SHAFT AVOID				1
18	TA0500601M0	PLUG D=5X5.4 L=6				2
19	70001602	BUSHING LPR LEFT				1
20	40052522	SCREW				1
21	13337704	COLLAR LOOPER AVOID				1
22	SM6041000SP	SCREW M4 L=10				1
23	13337803	LOOPER AVOID PIN				1
24	WP0461516SH	WASHER				2
25	70001603	BUSHING LPR SHAFT REAR				1
26	40050448	LOOPER SHAFT				1
27	70001604	BUSHING LPR SHAFT FRONT				1
28	13338900	OIL SEAL				1
29	40050449	LOOPER HOLDER			☆	1
30	SM6051402TP	SCREW M5X0.8 L=14				1
31	13337902	LOOPER			☆	1
32	SM6040750TP	SCREW M4 L=7				1

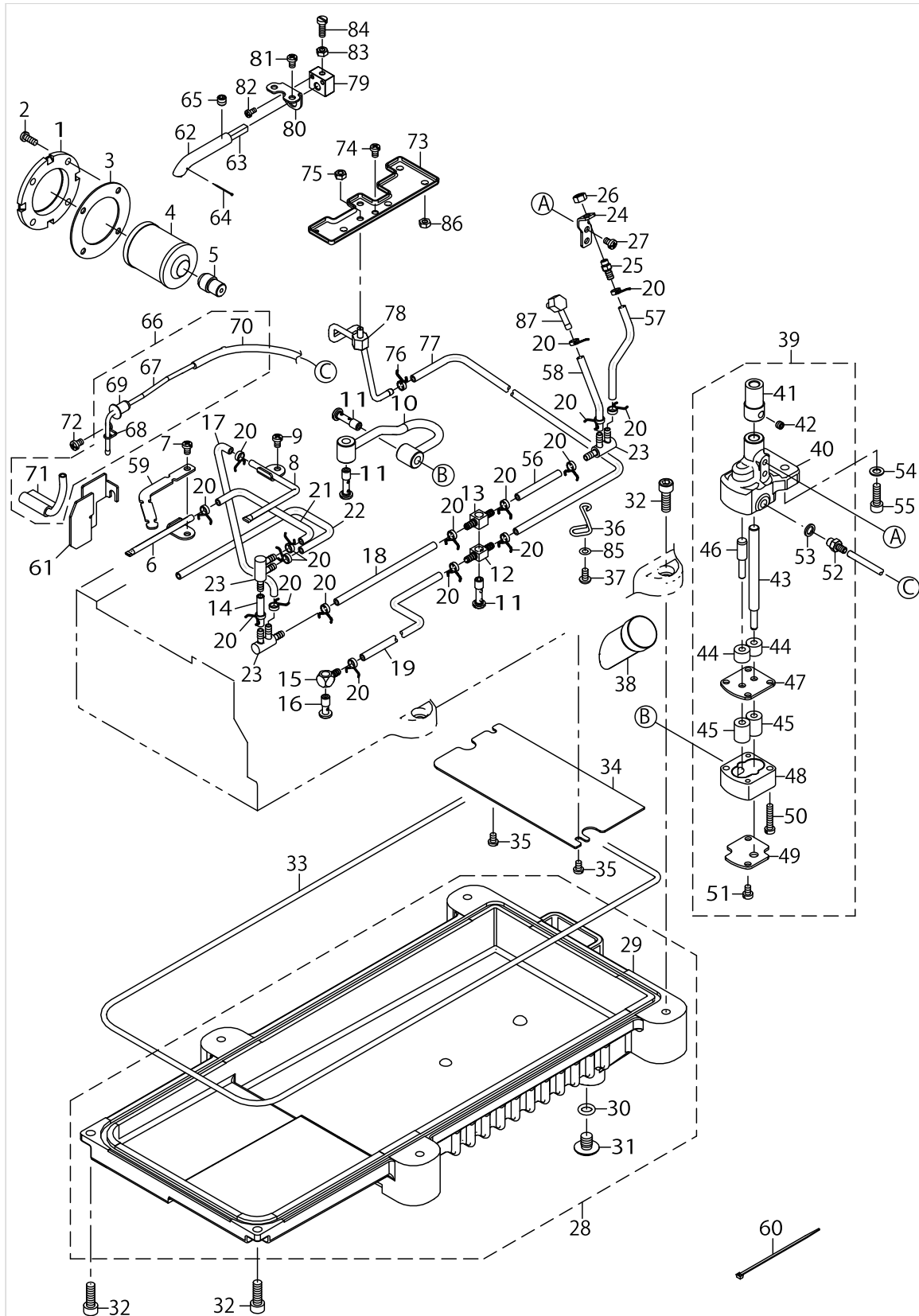
# THREAD TENSION COMPONENTS



THREAD TENSION COMPONENTS

No.	Parts No.	Parts name	Remarks	Level	Cons	Qty
1	70001610	ASSY PULL OFF LEVER				1
2	40065785	TENS RELEASE ADJ ECC				1
3	SM4041655SP	SCREW M4 L=16				1
4	70001612	THREAD TENSION ASSY				1
5	13140504	TENSION SPRING		*		3
6	13340302	SHOULDER SCREW		*		1
7	26019000	THREAD TENSION SPRING		*		1
8	70001620	TENSION POST		*		5
9	40042363	KNOB		*		2
10	40042364	KNOB GREEN		*		3
11	40042365	SPRING BUSHING		*		5
12	40042366	THREAD TENSION DISK PRESSER		*		5
13	40101602	THREAD TENSION DISC		*		10
14	40102003	SPRING		*		2
15	70001617	SPACER		*		5
16	70001615	TENSION DISC EYELET A		*		4
17	70001616	TENSION DISC EYELET B		*		1
18	70001613	TENSION POST SUPPORT		*		1
19	70001614	TENSION DISC SEPARATOR		*		1
20	SM4041055SP	SCREW				2
21	13340005	THREAD GUIDE PLATE				1
22	13340104	THREAD GUIDE				1
23	SM4040655SP	SCREW M4 L=6				3

LUBRICATION COMPONENTS

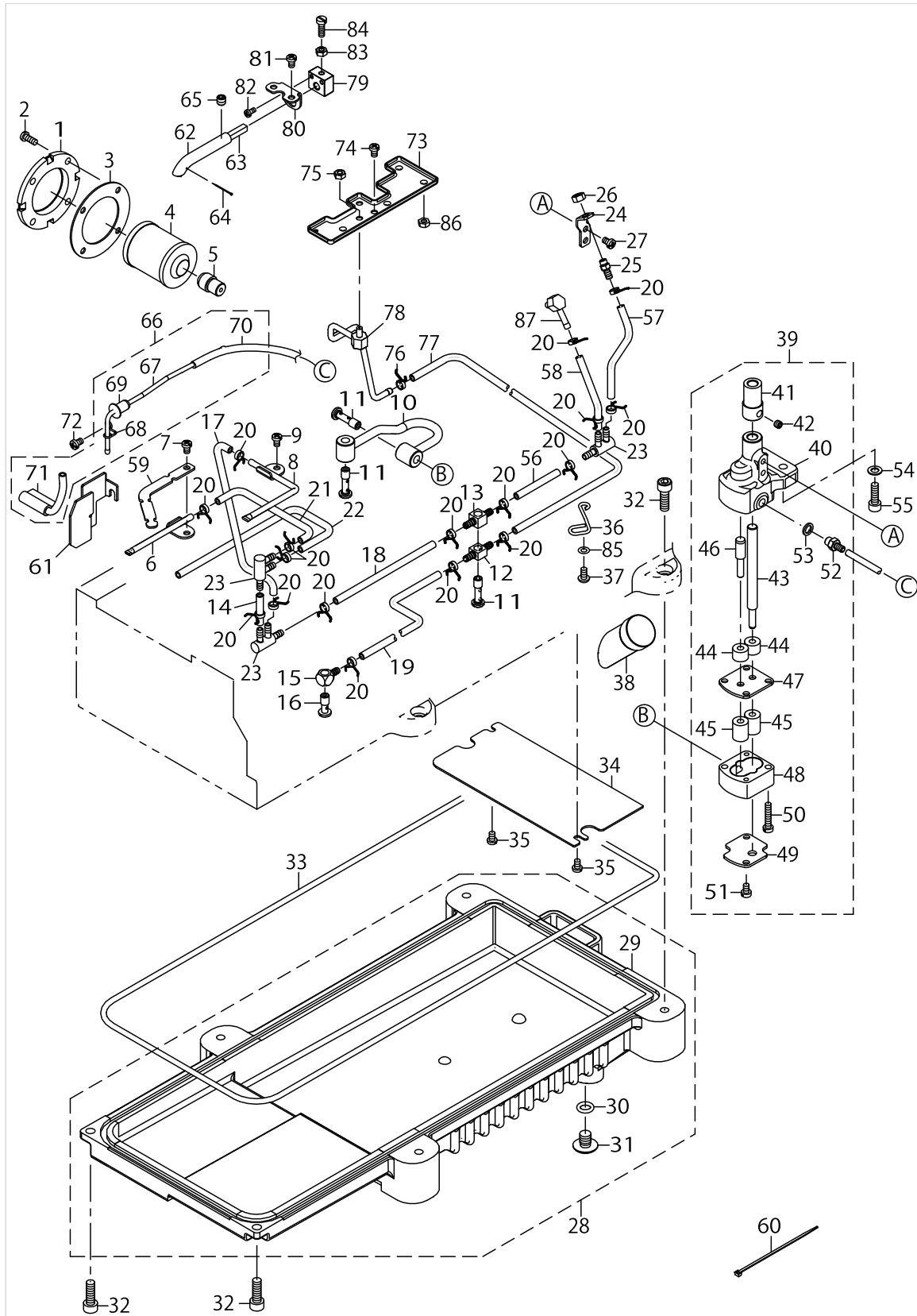


LUBRICATION COMPONENTS

No.	Parts No.	Parts name	Remarks	Level	Cons	Qty
1	13345202	FILTER COVER				1
2	SM4041055SP	SCREW				4
3	13344809	GASKET O				1
4	13142500	CARTRIDGE FILTER			☆	1
5	13343801	FITTING FILTER				1
6	13346556	ASSY OIL SUPPLY				1
7	SM4040655SP	SCREW M4 L=6				1
8	13345855	OIL SUPPLY ASSY				1
9	SM4040655SP	SCREW M4 L=6				1
10	70001634	ASSY OIL PIPE				1
11	SQ2060442SD	CONNECTING SCREW				3
12	SQ0000454MZ	CONNECTING SCREW				1
13	SQ0000453MZ	CONNECTING SCREW				1
14	BP30000010R	VINYL PIPE				0.04
15	SQ0000452MZ	CONNECTING SCREW				1
16	SQ2060441SD	CONNECTING SCREW				1
17	BP30000010R	VINYL PIPE				0.12
18	BP30000010R	VINYL PIPE				0.12
19	BP30000010R	VINYL PIPE				0.19
20	23629306	PIPE STOPPER A				17
21	BP30000010R	VINYL PIPE				0.1
22	BP30000010R	VINYL PIPE				0.2
23	23629504	DISTRIBUTOR				3
24	13346705	CONNECTING SCR BRACKET				1
25	SQ2050452MZ	CONNECTING SCREW				1
26	NM6050001SC	NUT M5X0.8 TYPE1				1
27	SM4040655SP	SCREW M4 L=6				2
28	40024405	ASSY OIL PAN				1
29	13345509	OIL PAN		*		1
30	13170105	RUBBER RING		*		1
31	13171004	DRAIN SCREW		*		1
32	SM6061802TP	SCREW M6 L=18				6
33	13345608	O RING				1
34	13345905	COVER PLATE				1
35	SM4040655SP	SCREW M4 L=6				2
36	70001636	OIL TUBE HOLDER				1
37	SM4040855SP	SCREW				1
38	13346101	OIL SIGHT GAUGE				1
39	13345459	ASSY PUMP 2-STAGE				1
40	13343108	OIL PUMP HOUSING		*		1
41	13343009	WORM WHEEL		*		1
42	SM8050412TP	SCREW M5 L=4		*		2
43	13345400	OIL PUMP SHAFT LARGE		*		1
44	13228309	OIL PUMP PINION		*		2
45	13228200	OIL PUMP PINION		*		2
46	13227905	GEAR PUMP SHAFT		*		1
47	13343405	OIL PUMP SPACER		*		1



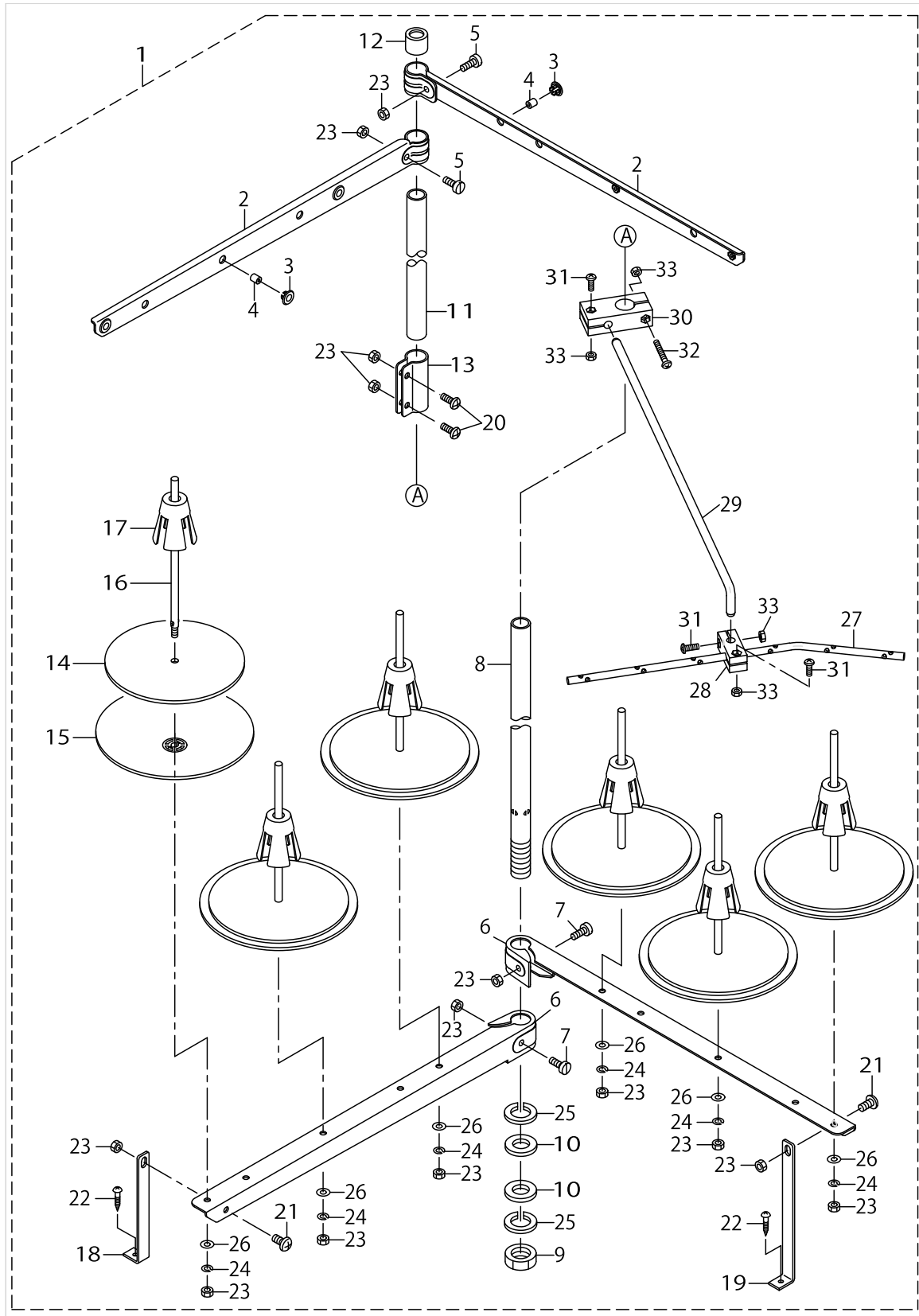
LUBRICATION COMPONENTS



LUBRICATION COMPONENTS

No.	Parts No.	Parts name	Remarks	Level	Cons	Qty
48	13343207	OIL PUMP CASING		*		1
49	13343306	OIL PUMP COVER		*		1
50	SM6042000SP	SCREW		*		2
51	SM6040600SP	SCREW M4 L=6		*		2
52	SQ2060451MZ	CONNECTING SCREW		*		1
53	40004749	GASCKET		*		1
54	WP0550800SP	WASHER 5.5X10X0.8				2
55	SM6051602TP	SCREW M5X0.8 L=16				2
56	BP30000010R	VINYL PIPE				0.05
57	BP30000010R	VINYL PIPE				0.14
58	BP30000010R	VINYL PIPE				0.1
59	70001639	PIPE HOLDER				1
60	EA9500B0100	CABLE BAND				5
61	13343900	OIL PROTECTION SHIELD				1
62	13343603	OIL TUBE				1
63	70001630	FELT FOR HEAD LUB				1
64	11856101	NEEDLE COOLER PIN				1
65	SM8060812TP	SCREW M6 L=8				1
66	13344056	ASSY HEAD SUCTION				1
67	13344601	SUCTION PIPE		*		1
68	13344502	PIPE CLAMP		*		1
69	13344700	BUSHING FOR SUCTION		*		1
70	23630007	TUBE		*		0.43
71	13344155	ASSY HEAD SUCTION 2		*		1
72	SM4040655SP	SCREW M4 L=6				1
73	70001631	OIL SAUCER				1
74	SM4040655SP	SCREW M4 L=6				2
75	NM6040000SN	NUT M4				1
76	23629306	PIPE STOPPER A				1
77	BP30000010R	VINYL PIPE				0.5
78	13345053	ASSY OIL SUPPLY FOR TOP				1
79	70001632	LUBRICATION ADJUSTING BLOCK				1
80	70001633	LUBRICATION ADJUSTING PLATE				1
81	SM4040655SP	SCREW M4 L=6				2
82	SM4030855SN	SCREW M3 L=8.0				2
83	NM6040000SN	NUT M4				1
84	SM6041200SP	SCREW M4 L=12				1
85	WP0450801SC	WASHER 4.5X10X0.8				1
86	NM6040000SN	NUT M4				1
87	70001975	ASSY_OIL_SUPPLY				1

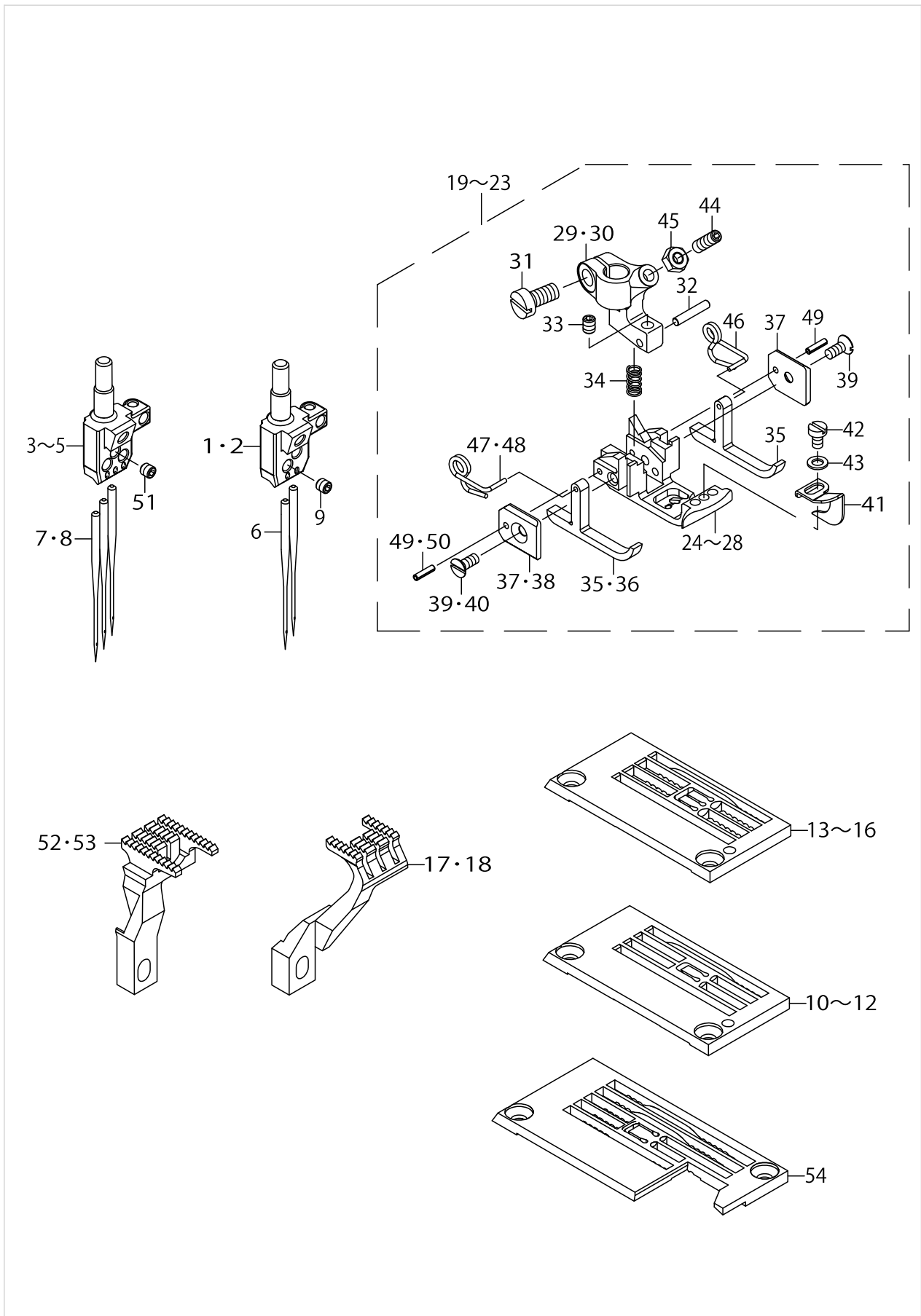
# THREAD STAND COMPONENTS



THREAD STAND COMPONENTS

No.	Parts No.	Parts name	Remarks	Level	Cons	Qty
1	40106592	THREAD STAND ASM.				1
2	40106575	SPOOL REST LONG ARM UPPER		*	☆	2
3	40085795	THREAD GUIDE BUSHING		*		6
4	40085794	THREAD GUIDE		*		6
5	40096327	SPOOL REST ARM UPPER SCREW		*		2
6	40106574	SPOOL REST LONG ARM LOWER		*		2
7	40096326	SPOOL REST ARM LOWER SCREW		*		2
8	40085784	SPOOL REST ROD LOWER		*		1
9	40096325	SPOOL REST ROD NUT		*		1
10	40085796	SPOOL REST ROD RUBBER CUSHION		*		2
11	40085785	SPOOL REST ROD UPPER		*		1
12	40085793	SPOOL REST ROD RUBBER CAP		*		1
13	40085792	SPOOL REST ROD JOINT		*		1
14	40085789	SPOOL REST CUSHION		*		6
15	40085788	SPOOL REST		*		6
16	40085790	SPOOL PIN		*		6
17	40085791	SPOOL RETAINER		*		6
18	40106577	SPOOL REST ARM LOWER A		*	☆	1
19	40106578	SPOOL REST ARM LOWER B		*	☆	1
20	SM4051405SE	SCREW M5 L=14		*		2
21	SM4051001SE	SCREW M5 L=10		*	☆	2
22	SK3412001SE	WOOD SCREW D=4.1 L=20		*	☆	2
23	NM6050001SE	NUT M5X0.8 TYPE1		*	☆	14
24	WP0531001SC	WASHER M5		*		6
25	WP1612616SE	WASHER 16X30X2.6		*		2
26	WS0510002KN	SPRING WASHER M5		*		6
27	40106583	THREAD GUIDE 6		*	☆	1
28	40106580	THREAD GUIDE UNDER BASE		*		1
29	40106576	THREAD GUIDE ARM		*	☆	1
30	40106579	THREAD GUIDE ARM BASE		*		1
31	SM4041201SC	SCREW M4X0.7 L=12		*		3
32	SM4042501SC	SCREW M4X0.7 L=25		*		1
33	NM6040002SC	NUT M4X0.7 TYPE2		*		4

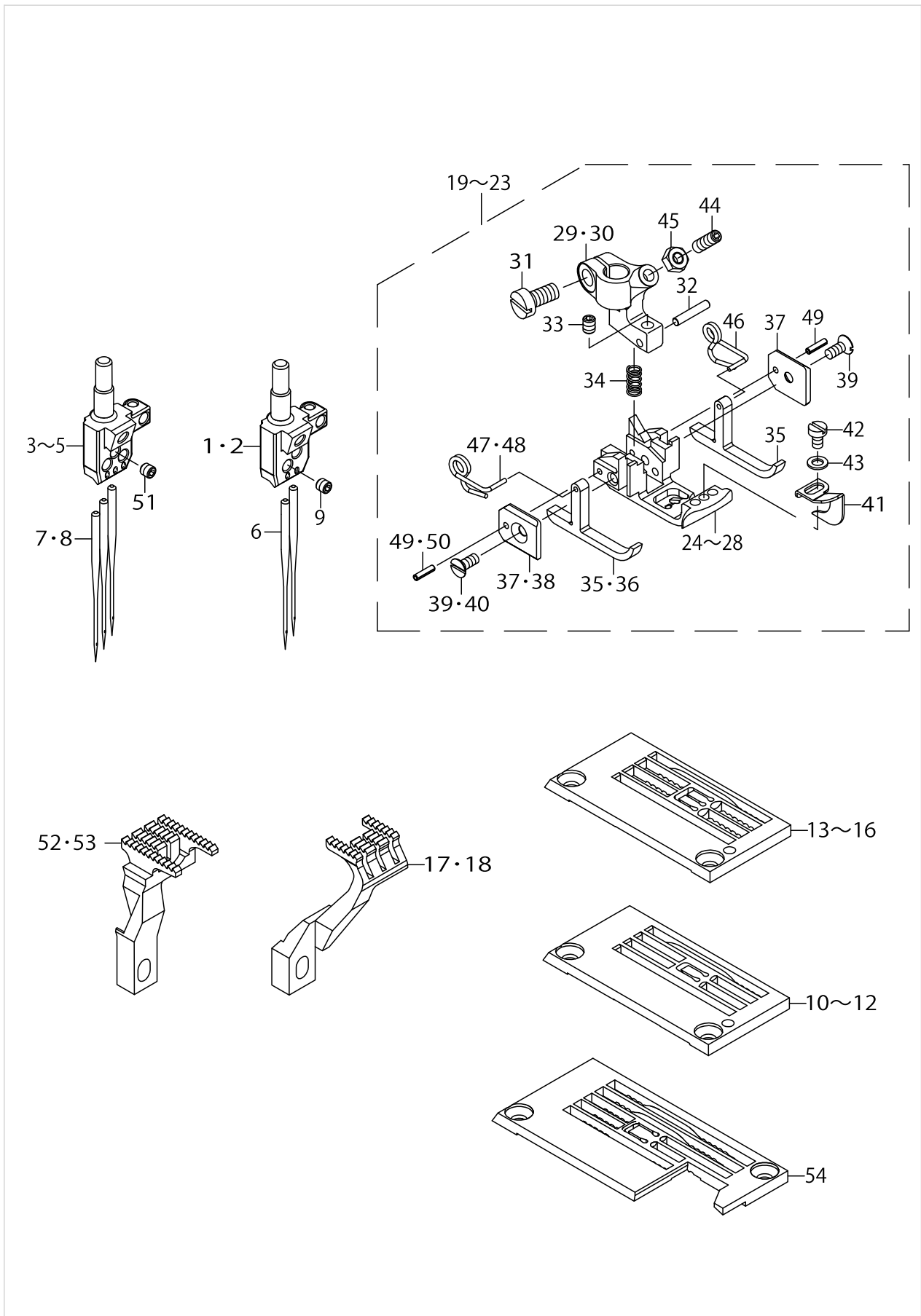
GAUGE PARTS COMPONENTS



GAUGE PARTS COMPONENTS

No.	Parts No.	Parts name	Remarks	Level	Cons	Qty
1	13350004	NEEDLE HEAD 32	FOR B32			1
2	13350103	NEEDLE HEAD 40	FOR B40			1
3	13350202	NEEDLE HEAD 48	FOR B48			1
4	13350301	NEEDLE HEAD 56	FOR B56			1
5	13350400	NEEDLE HEAD 64	FOR B64			1
6	MUY128S1000	NEEDLE UYX128GAS (S BALL POINT) #10S	FOR B32,B40			2
7	MUY128S1000	NEEDLE UYX128GAS (S BALL POINT) #10S	FOR B48,B56,B64			3
8	MUY128S1400	NEEDLE UYX128GAS (S BALL POINT) #14S	FOR JJ			3
9	SM8030312TP	SCREW M3 L=3	FOR B48,B56,B64			3
10	40058587	THROAT PLATE	FOR B32			1
11	40058706	THROAT PLATE	FOR B40			1
12	70004610	THROAT_PLATE	OPTIONAL PARTS			1
13	40040514	THROAT PLATE	FOR B48			1
14	40058033	THROAT PLATE	FOR B56			1
15	40040513	THROAT PLATE	FOR B64			1
16	40082978	THROAT_PLATE	FOR JJ			1
17	13358304	DIFF FEED DOG	FOR B32,B40,B48			1
18	13357603	DIFF FEED DOG	FOR B56,B64,JJ			1
19	40090133	PRESSER FOOT ASSY	FOR B32			1
20	40090196	PRESSER FOOT ASSY	FOR B40			1
21	40090197	PRESSER FOOT ASSY	FOR B48			1
22	40082974	PRESSER FOOT ASSY	FOR B56,B64,JJ			1
23	70004613	PRESSER_FOOT_ASSY	OPTIONAL PARTS			1
24	40090130	PRESSER FOOT BOTTOM	FOR B32	*		1
25	40090131	PRESSER FOOT BOTTOM	FOR B40	*		1
26	40090132	PRESSER FOOT BOTTOM	FOR B48	*		1
27	40082975	PRESSER FOOT BOTTOM	FOR B56,B64,JJ	*		1
28	70004612	PRESSER_FOOT_BOTTOM	OPTIONAL PARTS	*		1
29	40070224	PRESSER FOOT HINGE	EXCEPT OPTIONAL PARTS	*		1
30	13467907	PRESSER_FOOT_SHANK	OPTIONAL PARTS	*		1
31	SM6040800SP	SCREW		*		1
32	13375209	PIVOT PIN		*		1
33	SM8030412TP	SCREW		*		1
34	13377106	SPRING		*		1
35	40070226	P_F_YIELDING SECTION	EXCEPT OPTIONAL PARTS	*		2
36	40038032	YIELDING SECTION	OPTIONAL PARTS	*		1
37	40070227	GUIDE PLATE	EXCEPT OPTIONAL PARTS	*		2
38	13468103	YIELDING_SECTION_PLATE	OPTIONAL PARTS	*		1
39	SM1850600SP	SCREW	EXCEPT OPTIONAL PARTS	*		2
40	SM1850600SP	SCREW	OPTIONAL PARTS	*		1
41	40070231	PRESSER FOOT GUIDE	EXCEPT OPTIONAL PARTS	*		1
42	SM6850400SP	SCREW M2.5 L=4	EXCEPT OPTIONAL PARTS	*		1
43	WP0280500SC	WASHER	EXCEPT OPTIONAL PARTS	*		1
44	SM8031002TP	SCREW	EXCEPT OPTIONAL PARTS	*		1
45	NM6030001SD	NUT M3X0.5 TYPE1	EXCEPT OPTIONAL PARTS	*		1
46	40070230	SPRING R	EXCEPT OPTIONAL PARTS	*		1
47	40070229	SPRING L	EXCEPT OPTIONAL PARTS	*		1

GAUGE PARTS COMPONENTS

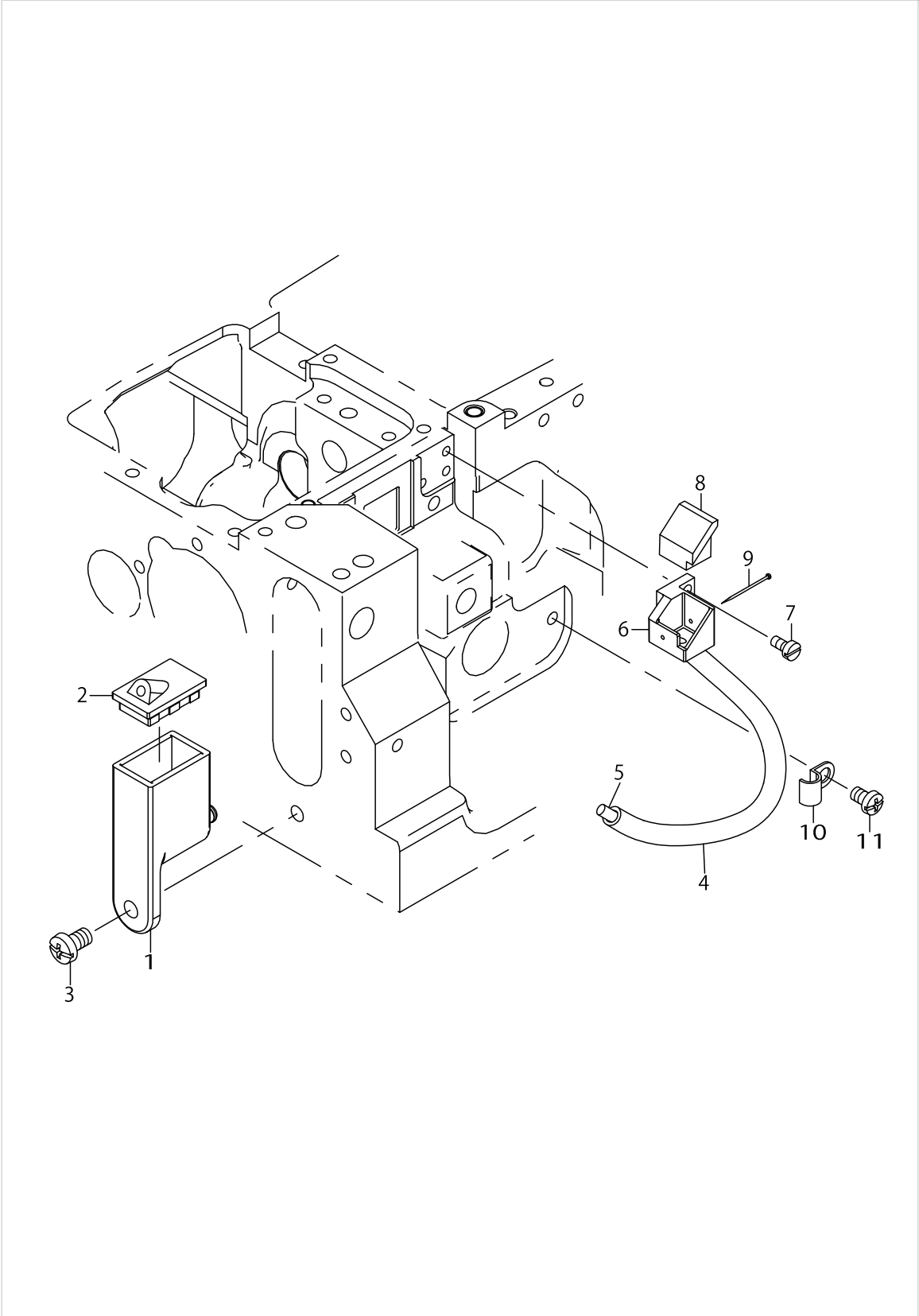


GAUGE PARTS COMPONENTS

No.	Parts No.	Parts name	Remarks	Level	Cons	Qty
48	13375308	SPRING_L	OPTIONAL PARTS	*		1
49	PS0150065KP	SPRING PIN 1.5X6	EXCEPT OPTIONAL PARTS	*		2
50	PS0150082KH	SPRING PIN	OPTIONAL PARTS	*		1
51	SM8030312TP	SCREW M3 L=3	FOR B32,B40			4
52	13354204	MAIN FEED DOG	FOR B32,B40,B48			1
53	13353701	MAIN FEED DOG	FOR B56,B64,JJ			1
54	70004611	THROAT_PLATE	OPTIONAL PARTS			1



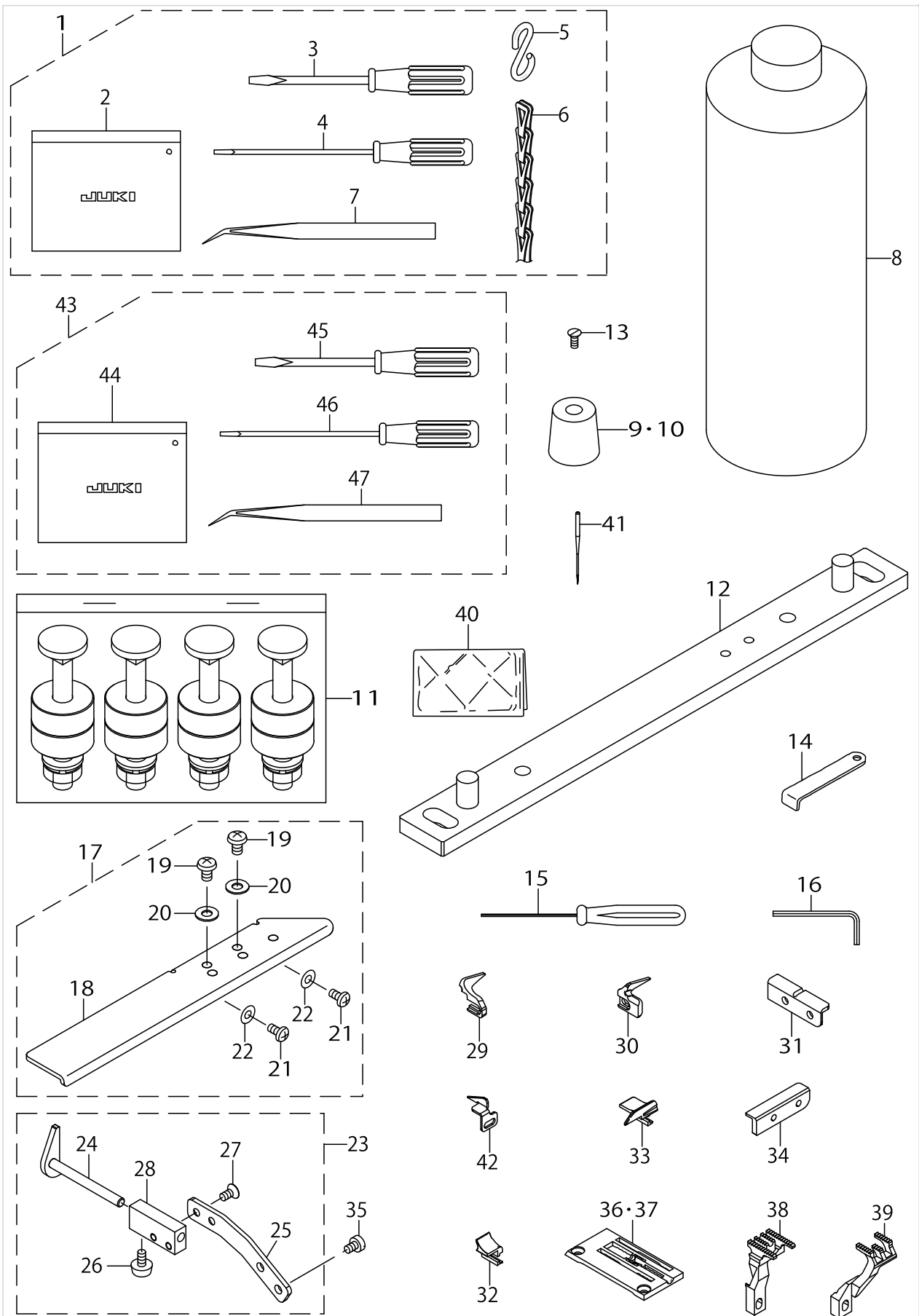
NEEDLE COOLING COMPONENTS



## NEEDLE COOLING COMPONENTS

No.	Parts No.	Parts name	Remarks	Level	Cons	Qty
1	40056919	SILICONE OIL TANK				1
2	13429105	SILICONE OIL TANK CAP				1
3	SM4050855SP	SCREW				1
4	BT0600402EA	URETHANE TUBE CLEAR BLUE 6X4				0.15
5	CQ303000000	COTTON OIL WICK D=3				0.3
6	70001644	SILICONE OIL CUP				1
7	SM6030600SP	SCREW M3X0.5 L=6				2
8	13348305	FELT			☆	1
9	11856101	NEEDLE COOLER PIN				1
10	B3538112000	OIL RETURN TUBE HOLDER				1
11	SM4040655SP	SCREW M4 L=6				1

ACCESSORIES PARTS COMPONENTS



ACCESSORIES PARTS COMPONENTS

No.	Parts No.	Parts name	Remarks	Level	Cons	Qty
1	40013913	ACCESSORY BAG ASSY				1
2	22932800	ACCESSORIE BAG		*		1
3	22933105	SCREW DRIVER		*		1
4	12347308	SCREW DRIVER (SMALL)		*		1
5	13160304	S SHAPED HOOK		*		2
6	70001840	CHAIN		*		1
7	12288403	TWEEZERS		*		1
8	MML018800CB	JUKI CORPORATION GENUINE OIL 18			☆	1
9	40072505	ISOLATOR				1
10	13155403	ISOLATOR				3
11	13348966	ASSY BOLT SET				1
12	13348859	SUPPORT PLATE ASSY				2
13	13302203	SCREW				1
14	B9101490000	DRIVER				1
15	40032763	HEXAGONAL DRIVER(1.5)				1
16	J106600000B	HEXAGONAL ROD SPANNER KEY 2				1
17	40099374	BINDER BRACKET ASSY				1
18	40099373	BINDER BRACKET		*		1
19	SM5050855SN	SCREW M5 L=8		*		2
20	WP0550836SC	WASHER 5.5X12X0.8		*		2
21	SM4040855SP	SCREW		*		2
22	WP0450801SP	WASHER		*		2
23	70001964	HEM GUIDE ASSY				1
24	70001967	HEM GUIDE		*		1
25	70001962	HEM GUIDE BASE 1		*		1
26	40019379	KNOB SCREW		*		1
27	SM1040801SC	SCREW M4X0.7 L=8		*		2
28	70001963	HEM GUIDE BASE 2		*		1
29	70001813	COVERING GUIDE RIGHT			☆	1
30	70001814	COVERING GUIDE LEFT			☆	1
31	40099375	BRACKET B			☆	1
32	70001838	COVERING GUARD L			☆	1
33	70001839	COVERING GUARD R			☆	1
34	70001846	BRACKET			☆	1
35	SM6040650TP	SCREW				2
36	13352307	THROAT PLATE	FOR B56			1
37	13352406	THROAT PLATE	FOR B64			1
38	70001946	MAIN FEED DOG	FOR B56,B64			1
39	70001947	DIFF FEED DOG	FOR B56,B64			1
40	40066644	HEAD_COVER				1
41	MUY128S1003	NEEDLES(PACKAGE_OF_3)				1
42	70001842	GUIDE LEFT			☆	1
43	70004227	ACCESSORY BAG ASSY	FOR UT35,UT37			1
44	22932800	ACCESSORIE BAG		*		1
45	22933105	SCREW DRIVER		*		1
46	12347308	SCREW DRIVER (SMALL)		*		1
47	12288403	TWEEZERS		*		1

LIST FOR INFORMATION OF CHANGE

As to the place changed, refer to the corresponding Rev.No.  
 When previous parts(Obsoleted part)and new parts(Added parts)are  
 not interchangeable with each other:  
 In this case,even obsoleted parts(D.)can be ordered with the  
 obsoleted part number,so select the parts with changed dates and  
 place your orders.

変更箇所は、該当Rev.No.版をご参照ください。  
 部品の互換性がない変更の場合は、削除された品番でも、ご注文できます。

70001995  
 No.1595-02 Rev.No.

\*A:Added parts追加部品/D:Obsoleted parts削除部品/E:Erratum訂正

* Rev. No.	Page 頁	Ref. No.	Parts No. 品番	* Rev. No.	Page 頁	Ref. No.	Parts No. 品番
D 01	4	11	SM-1041400-SP	A 02	4	11	SM-10414C0-SP
D 01	4	22	SM-6040750-TP	A 02	4	22	SM-60407C0-TP
D 01	4	50	SM-8040412-TP	A 02	4	50	SM-8040312-TP
D 01	4	62	SD-0600266-TP	A 02	4	62	700-04493
D 01	4	69	WP-0450000-SD	A 02	4	69	WP-0501016-SD
D 01	6	5	SB-1200018-00				
				A 02	6	5	400-17824
D 01	6	6	134-07408	A 02	6	6	700-04640
D 01	6	9	SB-1200015-00	A 02	6	9	700-04197
D 01	6	15	700-01446	A 02	6	15	700-04630
D 01	6	27	SB-1100023-00	A 02	6	27	700-05086
D 01	6	35	700-03278	A 02	6	35	700-04489
D 01	6	39	700-01458	A 02	6	39	700-04484
D 01	8	16	SD-0700206-TP	A 02	8	16	SD-070020C-TP
D 01	8	24	SD-0700586-TP	A 02	8	24	SD-070058C-TP
D 01	8	26	SM-6062550-TP	A 02	8	26	SM-60625C0-TP
				A 02	8	46	700-04371
D 01	12	35	700-03995				
D 01	14	37	SM-4850455-SP	A 02	14	37	SM-48504C5-SP
D 01	14	56	SM-4040655-SP	A 02	14	56	SM-40405C5-SP
D 01	16	29	700-01556	A 02	16	29	700-04223
D 01	16	31	700-01563	A 02	16	31	700-04224
D 01	18	21	SD-0640246-SP	A 02	18	21	SD-064024C-SP
D 01	18	27	SM-4850455-SP	A 02	18	27	SM-48504C5-SP
				A 02	28	12	700-04610
				A 02	28	23	700-04613
				A 02	28	28	700-04612
				A 02	28	30	134-67907
				A 02	28	36	400-38032
				A 02	28	38	134-68103
				A 02	28	40	SM-1850600-SP
				A 02	28	48	133-75308
				A 02	28	50	SP-0150082-KH
				A 02	28	54	700-04611

## HOW TO MAKE USE OF THIS PARTS LIST

### 1.Explanation of codes

1)"\*"mark.....means this part is changed from the previous parts book.

As to the details of the change, refer to the "List for information of change".

2)"#01".....refer to "Note" explanation at bottom of page.

### 2.Codes on the "Qty" column

- Each numeral indicates the number of parts required.
- "0.1" and "2.5" indicate the length (in meters) of the respective parts.

3.Parentheses mean that the corresponding part is a subpart that constructs an assembly part.

4.Dotted lines on the Figures indicate assembly parts.

5.As to the parts with marks of "☆"(consumable parts) and "◎"(optional parts)on the respective parts, it is recommended to prepare spares.

### 1 ."注記"欄の記号説明

1) "\*"印.....前回のパーツブックに比較して今回変更された部品を意味します。

変更内容は、"変更情報リスト"を参照してください。

2) "#01".....ページ下の"注記"の説明を参照してください。

2.数量欄の数字は、個数を表し、0.1、2.5等の数値は、長さ（単位メートル）を表します。

3.数量欄の（ ）は、組部品を構成している子部品であることを意味します。

4.イラストページの-----枠は、組構成であることを意味します。

5.リストページの"☆"（消耗部品）、"◎"（オプション部品）の印がついた部品は、予備を準備しておくことをお奨めします。

# NUMERICAL INDEX OF PARTS

PART NO	PAGE	REF NO.	PART NO	PAGE	REF NO.	PART NO	PAGE	REF NO.
10753309	2	9	13311204	14	48	13321203	22	4
11856101	40	64	13311253	12	45	13321708	16	28
11856101	48	9	13311303	14	54	13322003	18	81
12288403	50	47	13311451	14	65	13322102	18	84
12347308	50	46	13311501	14	58	13322201	18	79
13123302	22	10	13311600	14	67	13322409	16	30
13140504	36	5	13311808	14	64	13323209	22	25
13142500	38	4	13311907	14	63	13323308	16	8~10
13155403	50	9-10	13311956	14	62	13323407	16	8~10
13160304	50	5	13312103	14	55~57	13323506	16	8~10
13170105	38	30	13312202	14	55~57	13323803	16	5
13171004	38	31	13312301	14	55~57	13324108	8	64
13217401	22	13	13313101	12	3	13324108	10	64
13217500	22	12	13313309	12	4	13324504	24	5
13217708	22	8	13313804	12	11	13324603	24	8
13227905	38	46	13314109	12	15	13324702	24	10
13228200	38	45	13314356	12	17	13324900	24	14
13228309	38	44	13315908	12	8	13325006	24	16
13300801	2	12	13317201	16	12	13325204	24	24
13301700	2	15	13317300	16	19	13325808	26	48
13301809	4	25	13317409	16	20~22	13325907	26	49
13302104	4	53	13317508	16	20~22	13326004	26	50
13302104	6	53	13317607	16	20~22	13326103	26	51
13302203	4	24	13317706	16	24	13326202	26	52
13302203	50	13	13317805	18	61	13326301	24	39
13302302	4	49	13317904	18	57	13326400	24	40
13302302	6	49	13318001	18	48	13326509	24	42
13302708	4	46	13318100	18	49	13326608	24	44
13304209	6	54	13318209	16	47	13326707	26	54
13304308	4	48	13318308	18	54	13326806	14	60
13304308	6	48	13318506	18	63	13326905	24	35
13305107	4	45	13318605	18	77	13328000	28	3
13307251	10	48	13318704	16	14~16	13328109	28	2
13307301	10	53	13318803	16	14~16	13328158	28	1
13307509	8	13	13318902	16	14~16	13328208	28	4
13307707	10	76	13319009	16	42	13328505	28	16
13307806	10	67~69	13319405	18	73	13328554	28	15
13308457	8	8	13319504	18	76	13328604	28	17
13308507	8	37	13319702	16	32	13328703	28	18
13308705	8	28	13319900	16	35	13328802	28	27
13308804	8	1	13319959	16	34	13329008	28	13
13309208	10	73	13320007	16	36	13329206	28	22
13309307	10	67~69	13320106	16	37	13332309	30	14
13309406	10	67~69	13320304	22	18	13332804	30	19
13311006	12	47	13320403	22	19	13332903	30	17

# NUMERICAL INDEX OF PARTS

PART NO	PAGE	REF NO.	PART NO	PAGE	REF NO.	PART NO	PAGE	REF NO.
13333208	30	16	13346705	38	24	40017824	8	5
13333307	30	28	13348008	24	19	40018443	22	21
13333505	30	30	13348305	48	8	40018922	8	10
13333604	30	31	13348859	50	12	40019335	30	38
13333703	30	37	13348966	50	11	40019379	50	26
13334701	32	2	13350004	44	1·2	40023441	30	13
13337308	34	2	13350103	44	1·2	40023481	30	12
13337357	34	1	13350202	44	3~5	40024405	38	28
13337407	34	3	13350301	44	3~5	40032763	50	15
13337506	34	5	13350400	44	3~5	40033341	2	14
13337605	34	13	13352307	50	36·37	40035711	8	43
13337704	34	21	13352406	50	36·37	40038032	44	35·36
13337803	34	23	13353701	46	52·53	40039630	22	3
13337902	34	31	13354204	46	52·53	40040206	22	1
13338504	34	17	13357603	44	17·18	40040513	44	13~16
13338801	34	7	13358304	44	17·18	40040514	44	13~16
13338900	28	23	13375209	44	32	40042363	36	9
13338900	34	28	13375308	46	47·48	40042364	36	10
13340005	36	21	13377106	44	34	40042365	36	11
13340104	36	22	13398409	18	71	40042366	36	12
13340302	36	6	13399209	28	11	40050448	34	26
13343009	38	41	13406707	8	3	40050449	34	29
13343108	38	40	13409800	4	28	40052522	34	20
13343207	40	48	13426903	4	2	40052924	32	1
13343306	40	49	13429105	48	2	40056919	48	1
13343405	38	47	13467907	44	29·30	40058033	44	13~16
13343603	40	62	13468103	44	37·38	40058587	44	10~12
13343801	38	5	22901805	2	34	40058706	44	10~12
13343900	40	61	22902506	2	2	40065785	36	2
13344056	40	66	22924708	2	11	40066644	50	40
13344155	40	71	22932800	50	44	40070224	44	29·30
13344502	40	68	22933105	50	45	40070226	44	35·36
13344601	40	67	22945505	24	43	40070227	44	37·38
13344700	40	69	22945802	24	41	40070229	44	47·48
13344809	38	3	23537202	12	18	40070230	44	46
13345053	40	78	23612609	24	9	40070231	44	41
13345202	38	1	23629306	38	76	40070573	12	2
13345400	38	43	23629306	40	76	40070574	12	1
13345459	38	39	23629504	38	23	40072505	50	9·10
13345509	38	29	23630007	40	70	40082196	4	21
13345608	38	33	26019000	36	7	40082974	44	19~23
13345855	38	8	30391601	24	25	40082975	44	24~28
13345905	38	34	31013808	22	22	40082978	44	13~16
13346101	38	38	40004749	40	53	40085784	42	8
13346556	38	6	40013913	50	1	40085785	42	11



# NUMERICAL INDEX OF PARTS

PART NO	PAGE	REF NO.	PART NO	PAGE	REF NO.	PART NO	PAGE	REF NO.
40085788	42	15	70001421	2	13	70001511	16	43
40085789	42	14	70001422	2	22	70001512	18	60
40085790	42	16	70001423	4	15	70001513	18	72
40085791	42	17	70001424	4	18	70001514	22	28
40085792	42	13	70001426	4	26	70001515	22	29
40085793	42	12	70001431	4	27	70001516	22	30
40085794	42	4	70001436	6	58	70001517	22	31
40085795	42	3	70001437	8	45	70001518	22	32
40085796	42	10	70001439	8	46	70001521	16	1
40085995	26	55	70001440	10	44·56	70001522	16	3
40087068	30	3	70001441	10	59	70001523	18	87
40090130	44	24~28	70001442	10	60	70001524	18	89
40090131	44	24~28	70001443	10	51	70001525	18	90
40090132	44	24~28	70001444	10	65	70001526	18	91
40090133	44	19~23	70001445	8	2	70001527	18	93
40090196	44	19~23	70001447	8	25	70001528	16	26
40090197	44	19~23	70001448	8	26	70001530	22	7
40096325	42	9	70001451	8	30	70001531	22	17
40096326	42	7	70001453	8	31	70001532	20	100
40096327	42	5	70001477	12	37	70001533	20	101
40099371	4	37	70001478	12	35	70001535	10	62
40099373	50	18	70001480	12	5	70001536	10	63
40099374	50	17	70001481	12	6	70001537	24	3
40099375	50	31	70001483	12	9	70001540	24	18
40100791	30	25	70001485	12	13	70001541	24	29
40100793	30	29	70001486	12	19	70001542	24	31
40101602	36	13	70001487	12	29	70001543	24	32
40102003	36	14	70001488	12	32	70001544	26	58
40106574	42	6	70001489	12	33	70001545	26	60
40106575	42	2	70001490	12	34	70001546	24	20
40106576	42	29	70001491	12	39	70001548	24	13
40106577	42	18	70001492	12	42	70001555	28	6
40106578	42	19	70001493	12	43	70001558	28	10
40106579	42	30	70001494	12	22	70001559	28	14
40106580	42	28	70001495	12	25	70001572	30	7
40106583	42	27	70001498	12	21	70001573	30	11
40106592	42	1	70001499	12	7	70001575	30	35
70001407	2	28	70001500	14	66	70001579	30	24
70001409	2	7	70001505	16	2	70001580	30	4
70001411	2	1	70001506	18	74	70001581	30	6
70001414	4	29	70001507	18	94	70001582	30	2
70001415	4	13	70001508	20	96	70001583	30	45
70001416	2	5	70001509	16	29	70001584	30	41
70001418	4	41	70001510	16	62	70001585	30	44
70001420	4	1	70001510	18	62	70001587	32	5

# NUMERICAL INDEX OF PARTS

PART NO	PAGE	REF NO.	PART NO	PAGE	REF NO.	PART NO	PAGE	REF NO.
70001588	32	12	70001976	6	60	J106600000B	50	16
70001589	22	26	70001978	4	8	MML018800CB	50	8
70001590	32	7	70001987	30	1	MUY128S1000	44	7·8
70001591	32	8	70003316	8	22	MUY128S1003	50	41
70001592	32	4	70003331	8	44·56	MUY128S1400	44	7·8
70001601	34	10	70004184	8	34	NM6030001SC	30	32
70001602	34	19	70004197	8	9	NM6030001SD	44	45
70001603	34	25	70004223	28	29·31	NM6040000SN	2	19
70001604	34	27	70004224	28	29·31	NM6040000SN	6	57
70001610	36	1	70004227	50	43	NM6040000SN	40	86
70001612	36	4	70004371	12	46	NM6040002SC	42	33
70001613	36	18	70004484	8	39	NM6050001SC	18	69
70001614	36	19	70004489	8	35	NM6050001SC	24	45
70001615	36	16	70004493	6	62	NM6050001SC	28	8
70001616	36	17	70004610	44	10~12	NM6050001SC	34	16
70001617	36	15	70004611	46	54	NM6050001SC	38	26
70001620	36	8	70004612	44	24~28	NM6050001SE	42	23
70001630	40	63	70004613	44	19~23	NM6060001CP	12	27
70001631	40	73	70004630	8	15	NM6850001SC	30	43
70001632	40	79	70004631	8	16	PS0150065KP	46	49·50
70001633	40	80	70004632	8	18	PS0150082KH	24	22
70001634	38	10	70004633	8	17	PS0150082KH	46	49·50
70001636	38	36	70004640	8	6	PS0300162KH	18	58
70001638	10	57	70005086	8	27	PS0400082KP	24	34
70001639	40	59	B2556280000	18	67	PS0500142KP	12	20
70001644	48	6	B3215470000	18	52	RC0100001KP	16	40
70001659	4	44	B3538112000	48	10	RC0741013KP	18	70
70001813	50	29	B9101490000	50	14	RC1900002KP	4	3
70001814	50	30	B9214850000	24	21	RE0300000K0	4	42
70001830	6	64	BP30000010R	38	77	RE0300000K0	22	11
70001831	6	63	BP30000010R	40	77	RE0500000K0	18	55
70001837	2	27	BT0600402EA	48	4	RE0500000K0	32	11
70001838	50	32	CM300200001	2	29	RE0700000K0	34	12
70001839	50	33	CM300200001	6	65	RO055200100	18	51
70001840	50	6	CM301300001	2	26	RO055200100	32	9
70001842	50	42	CQ303000000	16	23	RO068190100	22	2
70001846	50	34	CQ303000000	28	19	RO137230100	18	82
70001946	50	38	CQ303000000	48	5	RO148240200	8	42
70001947	50	39	CS1000881TP	16	85	RO158240100	16	7
70001959	16	27	CS1000881TP	18	85	RO195240100	2	10
70001962	50	25	CS1000881TP	22	23	SB120001500	8	41
70001963	50	28	CS1000881TP	24	6	SB120001900	10	70
70001964	50	23	CS1000881TP	28	25	SB120002200	10	55
70001967	50	24	CS1000881TP	30	8	SB30800110A	14	49~52
70001975	40	87	EA9500B0100	40	60	SB30800110B	14	49~52

# NUMERICAL INDEX OF PARTS

PART NO	PAGE	REF NO.	PART NO	PAGE	REF NO.	PART NO	PAGE	REF NO.
SB30800110C	14	49~52	SM4041201SC	42	31	SM6051002TP	12	30
SB30800110D	14	49~52	SM4041655SP	36	3	SM6051002TP	24	1
SD0640246SP	2	20	SM4042501SC	42	32	SM6051202TP	12	59
SD064024CSP	30	21	SM4050855SP	48	3	SM6051202TP	14	59
SD070020CTP	12	16	SM4051001SE	42	21	SM6051400SP	4	39
SD070058CTP	12	24	SM4051055SP	6	66	SM6051402TP	24	12
SD0801326TH	16	33	SM4051255SP	18	65	SM6051402TP	34	30
SK3412001SE	42	22	SM4051255SP	22	14	SM6051602TP	6	59
SL4041281SC	30	15	SM4051405SE	42	20	SM6051602TP	18	68
SM1030400SP	22	33	SM4060801SE	2	21	SM6051602TP	40	55
SM1040650TP	24	38	SM4850455SP	30	34	SM6061200SP	10	75
SM1040750TP	26	59	SM4850455SP	32	3	SM6061202TP	12	28
SM1040800SP	4	7	SM48504C5SP	24	37	SM6061202TP	18	75
SM1040801SC	50	27	SM48504C5SP	30	27	SM6061402TP	8	61
SM10414C0SP	4	11	SM5040655SN	22	6	SM6061402TP	10	61
SM1850600SP	44	39·40	SM5050855SN	50	19	SM6061402TP	16	38
SM4030455SN	2	17	SM6030402TP	18	56	SM6061402TP	28	9
SM4030855SN	2	18	SM6030600SP	16	39	SM6061802TP	38	32
SM4030855SN	14	61	SM6030600SP	48	7	SM60625C0TP	12	26
SM4030855SN	24	27	SM6030800SP	4	38	SM6850400SP	44	42
SM4030855SN	40	82	SM6040600SP	40	51	SM6850802TN	30	42
SM4040555SP	6	51	SM6040602TP	4	10	SM7051460TP	22	15
SM40405C5SP	26	56	SM6040650TP	50	35	SM8030312TP	24	26
SM4040655SP	2	23	SM6040750TP	34	32	SM8030312TP	44	51
SM4040655SP	4	56	SM60407C0TP	4	22	SM8030312TP	46	51
SM4040655SP	6	56	SM6040800SP	4	14	SM8030412TP	44	33
SM4040655SP	8	24	SM6040800SP	12	38	SM8031002TP	44	44
SM4040655SP	12	10	SM6040800SP	20	98	SM8040312TP	6	50
SM4040655SP	24	53	SM6040800SP	24	47	SM8040312TP	32	14
SM4040655SP	26	53	SM6040800SP	44	31	SM8040412TP	4	34
SM4040655SP	30	36	SM6041000SP	12	53	SM8040412TP	8	20
SM4040655SP	36	23	SM6041000SP	14	53	SM8040412TP	18	53
SM4040655SP	38	81	SM6041000SP	16	31	SM8040412TP	28	12
SM4040655SP	40	81	SM6041000SP	22	34	SM8040512TP	12	44
SM4040655SP	48	11	SM6041000SP	28	30	SM8040602TP	18	50
SM4040855SP	2	30	SM6041000SP	34	22	SM8040612TP	18	83
SM4040855SP	38	37	SM6041002TP	4	12	SM8050412TP	18	99
SM4040855SP	50	21	SM6041200SP	12	14	SM8050412TP	20	99
SM4041055SP	2	8	SM6041200SP	28	28	SM8050412TP	28	26
SM4041055SP	6	55	SM6041200SP	40	84	SM8050412TP	38	42
SM4041055SP	8	29	SM6041202TP	12	23	SM8050612TP	16	86
SM4041055SP	12	41	SM6041202TP	34	4	SM8050612TP	18	86
SM4041055SP	24	15	SM6042000SP	40	50	SM8050612TP	22	24
SM4041055SP	36	20	SM6050800SP	4	23	SM8050612TP	24	7
SM4041055SP	38	2	SM6051000SP	32	13	SM8050612TP	30	9

## NUMERICAL INDEX OF PARTS

PART NO	PAGE	REF NO.	PART NO	PAGE	REF NO.
SM8050612TP	32	6	TA2101002R0	6	67
SM8050612TP	34	14	TA2101002R0	30	40
SM8050812TP	16	95	TA2351004R0	2	24
SM8050812TP	20	95	WP0280500SC	30	33
SM8060552TP	8	36	WP0280500SC	44	43
SM8060552TP	16	80	WP0280501SC	24	36
SM8060552TP	18	80	WP0370316SD	16	18
SM8060552TP	30	39	WP0410516SD	30	23
SM8060612TP	8	72	WP0450801SC	26	57
SM8060612TP	10	72	WP0450801SC	40	85
SM8060612TP	16	88	WP0450801SP	50	22
SM8060612TP	18	88	WP0450826SC	12	40
SM8060612TP	28	21	WP0450826SC	22	5
SM8060612TP	34	6	WP0450826SC	24	46
SM80606A2TP	18	78	WP0460556SD	22	9
SM8060812TP	8	54	WP0461516SH	34	24
SM8060812TP	10	54	WP0480856SP	20	97
SM8060812TP	40	65	WP0501016SD	6	69
SM8060842TP	8	71	WP0522016SH	24	4
SM8060842TP	10	71	WP0531000SC	4	31
SM8061212TP	8	47	WP0531000SD	4	4
SM8080812TP	10	74	WP0531001SC	42	24
SM9061050TP	28	20	WP0550800SP	4	43
SQ0000452MZ	38	15	WP0550800SP	28	7
SQ0000453MZ	38	13	WP0550800SP	34	15
SQ0000454MZ	38	12	WP0550800SP	40	54
SQ2050452MZ	38	25	WP0550836SC	50	20
SQ2060441SD	38	16	WP0551016SH	12	31
SQ2060442SD	38	11	WP0621016SD	22	16
SQ2060451MZ	40	52	WP0621016SD	32	10
ST4040851SN	24	23	WP1021026SH	34	11
TA0400301M0	4	9	WP1022016SH	28	24
TA0500601M0	16	46	WP1612616SE	42	25
TA0500601M0	34	18	WS0510002KN	24	11
TA0750404R0	22	27	WS0510002KN	42	26
TA0850604R0	2	33	WS0510002KP	4	30
TA0850604R0	4	47	WS0510002KP	24	2
TA1050504R0	2	3	WZ0641510KP	2	16
TA1050504R0	4	70	WZ0641510KP	6	61
TA1050504R0	6	70	WZ0641510KP	30	22
TA1250705R0	2	31			
TA1600406R0	34	9			
TA2050406R0	2	6			
TA2050416R0	4	68			
TA2050416R0	6	68			