

MODEL : AMS-224EN6060/IP-420

List No : 1594-00

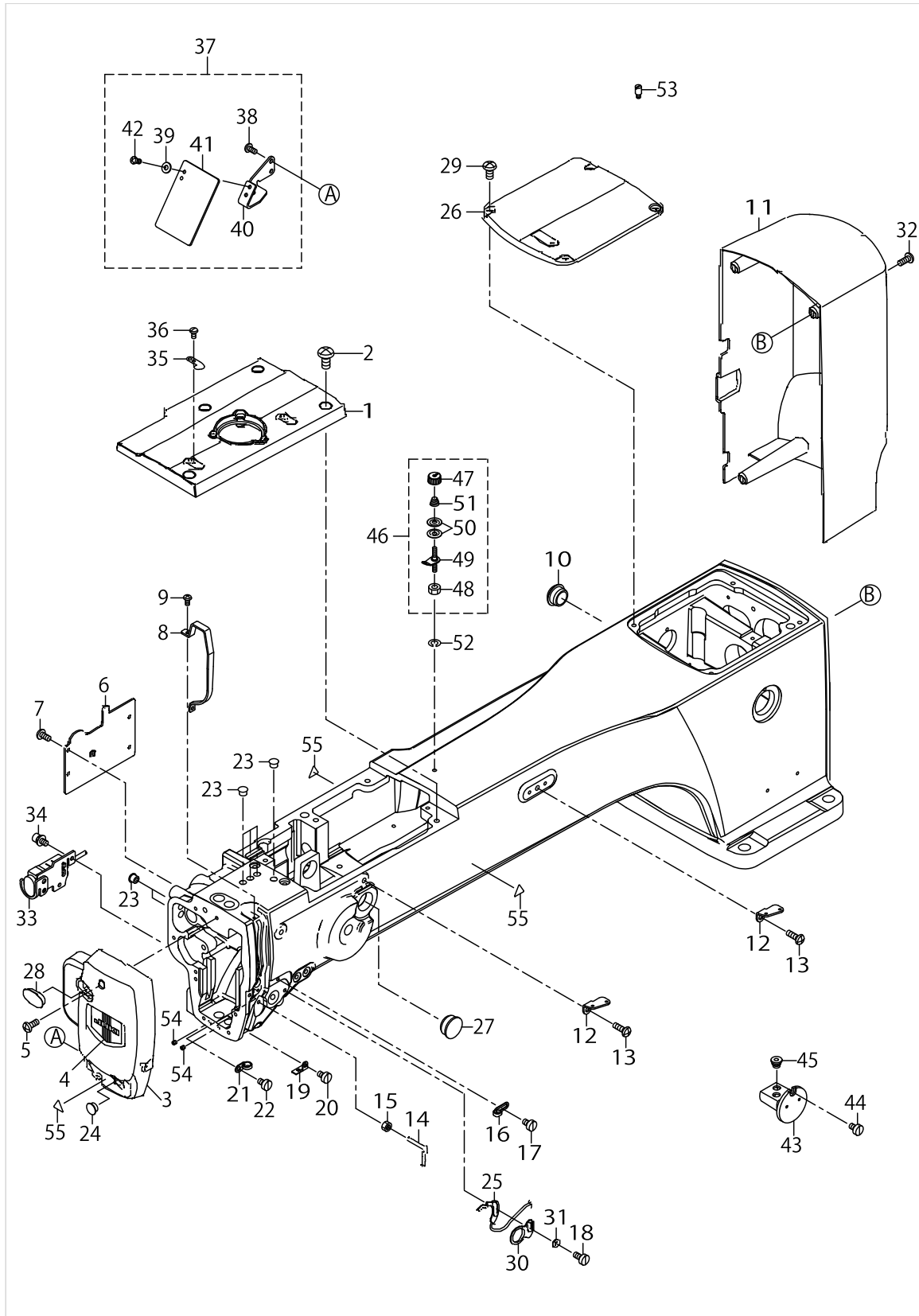
PARTS LIST

Published:09/10/2017

CONTENTS

FRAME & MISCELLANEOUS COVER COMPONENTS (1)	1
FRAME & MISCELLANEOUS COVER COMPONENTS (2)	5
FRAME & MISCELLANEOUS COVER COMPONENTS (3)	7
FRAME & MISCELLANEOUS COVER COMPONENTS (4)	9
MAIN SHAFT & NEEDLE BAR COMPONENTS	13
PRESSER MECHANISM & PRESSER VARIABLE COMPONENTS (1)	17
PRESSER MECHANISM & PRESSER VARIABLE COMPONENTS (2)	21
SHUTTLE DRIVER SHAFT COMPONENTS (1)	25
SHUTTLE DRIVER SHAFT COMPONENTS (2)	29
TENSION RELEASE & THREAD TENSION COMPONENTS	33
THREAD TRIMMER MECHANISM COMPONENTS	35
THREAD CLAMP COMPONENTS	39
X-Y COMPONENTS (1)	41
X-Y COMPONENTS (2)	45
X-Y COMPONENTS (3)	49
PNEUMATIC COMPONENTS	55
THREAD STAND COMPONENTS(Accessorie Parts)	57
OPERATION PANEL COMPONENTS	59
CONTROL BOX COMPONENTS	61
WIRING DIAGRAM	65
ACCESSORIE PARTS COMPONENTS	69
OPTIONAL PARTS COMPONENTS	71
HOW TO MAKE USE OF THIS PARTS LIST	73

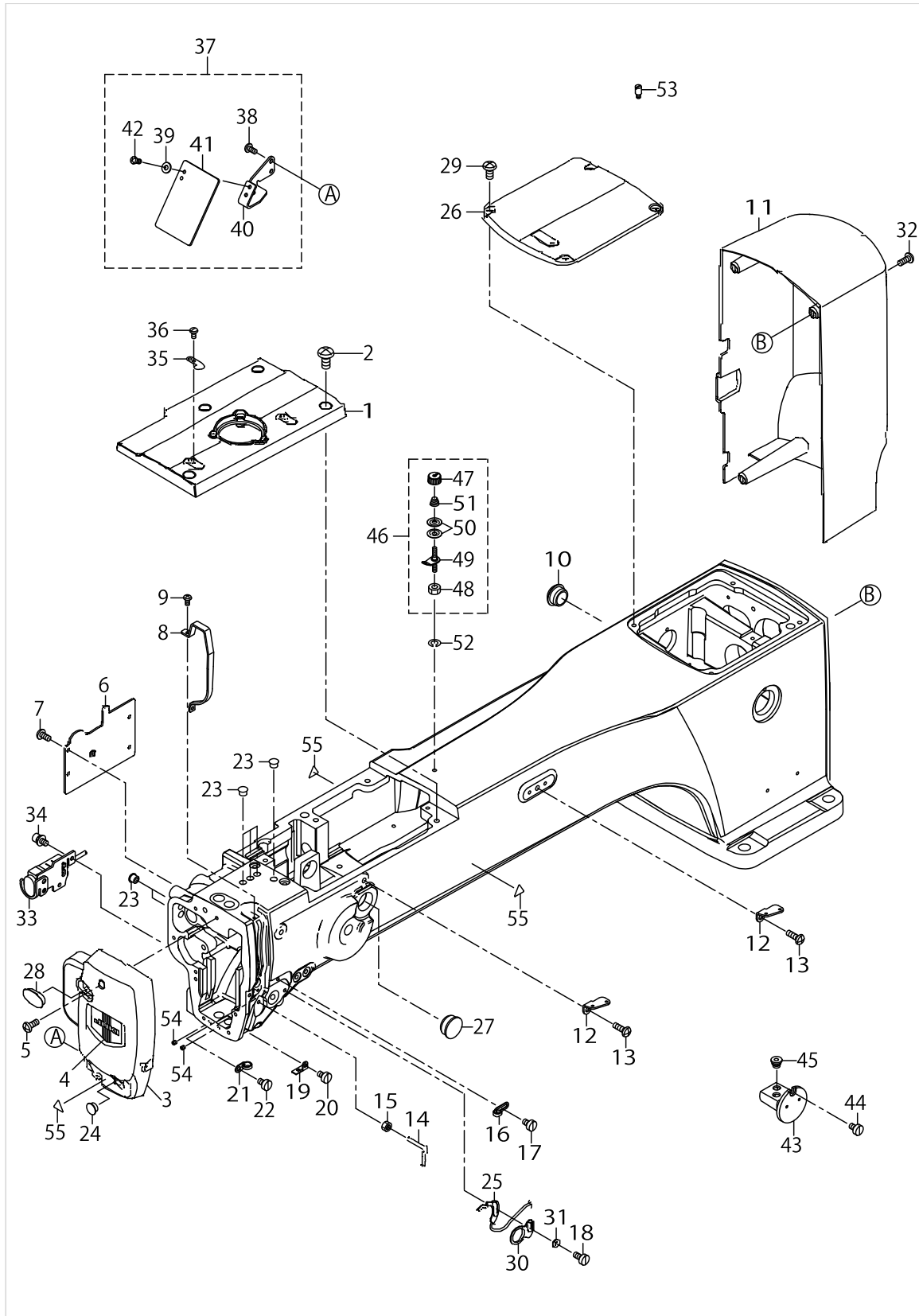
FRAME & MISCELLANEOUS COVER COMPONENTS (1)



FRAME & MISCELLANEOUS COVER COMPONENTS (1)

No.	Parts No.	Parts name	Remarks	Level	Cons	Qty
1	40032158	TOP_COVER_FRONT				1
2	SM4061255SP	SCREW M6 L=12				4
3	40026979	FACE_COVER				1
4	22902506	FACE PLATE				1
5	SM4041055SP	SCREW				2
6	40024999	PRESSER_COVER				1
7	SM4040855SP	SCREW				4
8	40030828	THREAD_TAKE_UP_LEVER_COVER				1
9	SM4030601SN	SCREW M3 X 6				2
10	TA2100904R0	RUBBER PLUG				1
11	40027971	MOTOR_COVER				1
12	26211904	THREAD GUIDE PLATE				2
13	SM4061255SP	SCREW M6 L=12				2
14	40025414	L_SHAPED_THREAD_GUIDE				1
15	NM6040000SN	NUT M4				1
16	22920508	ARM THREAD GUIDE A				1
17	SM6040650TP	SCREW				1
18	SM6040860TP	SCREW M4 L=8				1
19	B1129210000	FRAME THREAD GUIDE (B)				1
20	SM6040650TP	SCREW				1
21	13705108	TAKE-UP THREAD GUIDE B				1
22	SM6040650TP	SCREW				1
23	TA0850604R0	RUBBER PLUG				6
24	TA1050504R0	RUBBER PLUG				1
25	40073678	THB SENSOR CABLE ASM.				1
26	40032159	TOP_COVER_REAR				1
27	TA2351004R0	RUBBER PLUG				1
28	40028877	FACE_COVER_CAP				1
29	SM4051055SP	SCREW				4
30	40028834	GUIDE_PLATE				1
31	40028835	BUSHING				1
32	SM4041055SP	SCREW				4
33	40073676	STOP SW ASM				1
34	SL6040892TN	BOLT				2
35	10502300	THREAD CUTTER				1
36	SM4030601SN	SCREW M3 X 6				1
37	40006484	SAFETY PLATE COMPL.				1
38	SM4040855SP	SCREW		*		2
39	WP0450801SD	WASHER 4.5X10X0.8		*		2
40	40051987	SAFETY PLATE BASE		*		1
41	B3120372000	SAFETY PLATE		*		1
42	SM4040655SP	SCREW M4 L=6		*		2
43	40006836	OIL TANK ASM.				2
44	SM6040650TP	SCREW				2
45	40006840	RUBBER BUSH				4
46	14113468	BOBBIN THREAD TENSION ASM.				1
47	11072402	THREAD TENSION NUT		*		1

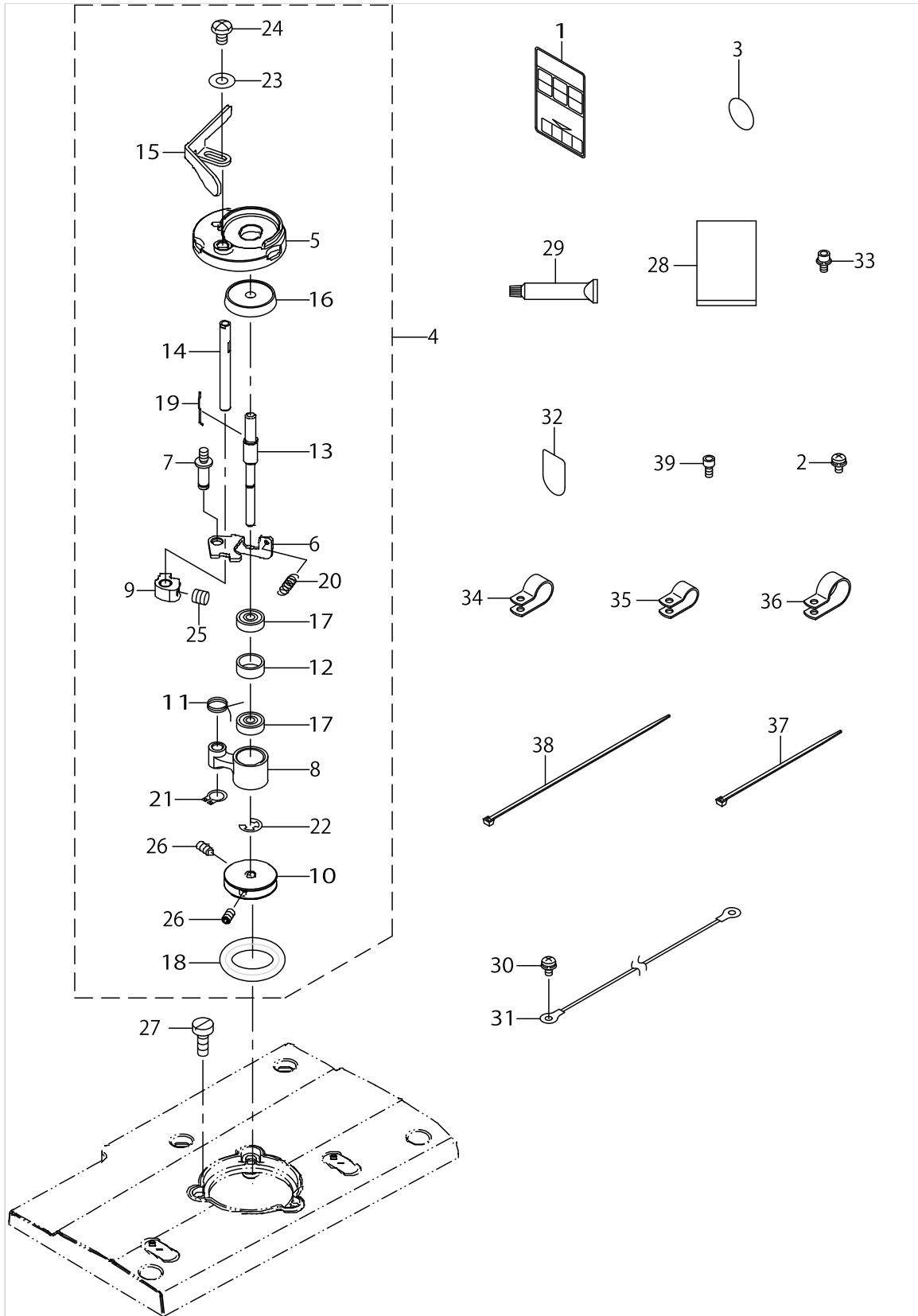
FRAME & MISCELLANEOUS COVER COMPONENTS (1)



FRAME & MISCELLANEOUS COVER COMPONENTS (1)

No.	Parts No.	Parts name	Remarks	Level	Cons	Qty
48	NS6110310SP	NUT 11/64-40		*		1
49	14113450	BOBBIN THREAD TENSION ROD ASM.		*		1
50	B3126012000	THREAD TENSION DISK		*		2
51	D7133555B00	CONNECTING ROD SPRING		*		1
52	WS0451040KP	SPRING WASHER 4.5X8.5X1				1
53	B1114280000	PIN				1
54	SM8040412TP	SET SCREW M4 L=4				2
55	CM300200003	ATTENTION LABEL				3

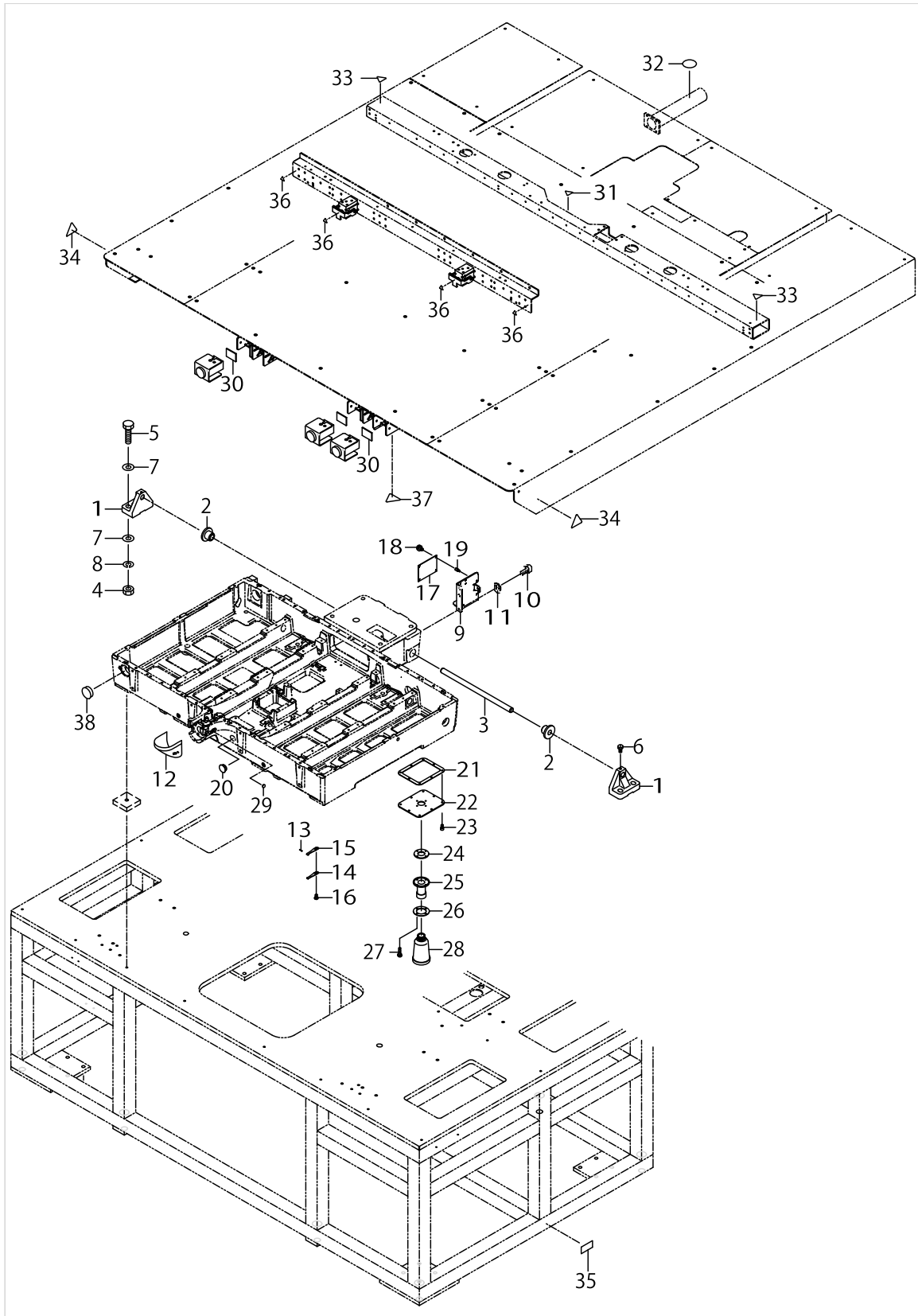
FRAME & MISCELLANEOUS COVER COMPONENTS (2)



FRAME & MISCELLANEOUS COVER COMPONENTS (2)

No.	Parts No.	Parts name	Remarks	Level	Cons	Qty
1	CM301200001	SAFETY LABEL_S				2
2	SL4040891SC	SCREW M4 L=8				12
3	22901805	GROUND MARK				1
4	40028338	BOBBIN_WINDER_UNIT				1
5	26260109	BTW_BASE		*		1
6	26260208	BTW_CAM_PLATE		*		1
7	26260307	BTW_BASE_SHAFT		*		1
8	26260406	BTW_SHAFT_BASE		*		1
9	26260505	BTW_CAM_LEVER		*		1
10	26260604	BTW_WHEEL		*		1
11	26260703	BTW_TORSION_SPRING		*		1
12	26260802	BTW_BEARING_SPACER		*		1
13	40023865	BTW_SHAFT		*		1
14	40023866	BTW_LEVER_SHAFT		*		1
15	40030829	BTW_LEVER		*		1
16	26261206	BTW_SPACER		*		1
17	26261305	BTW_BEARING		*		2
18	26261503	BTW_WHEEL_RUBBER		*		1
19	26261602	BOBBIN_SPRING		*		1
20	26261701	BTW_SPRING		*		1
21	RC0560711KP	RETAINING RING		*		1
22	RE0400000K0	E-RING 4		*		1
23	WP0450826SC	WASHER 4.5X10X0.8		*		1
24	SM5040655SN	SCREW		*		1
25	SM8050502TP	SCREW M5 L=5		*		1
26	SM8040802TP	SCREW M4X8		*		2
27	SM6041150TP	SCREW				3
28	40031336	FLAT_BAG				1
29	40013640	JUKI_GREASE_B_TUBE				1
30	SL4040891SC	SCREW M4 L=8				1
31	14115554	HEAD GROUND CABLE A ASM.				1
32	CM100100001	OIL INJECTION PROHIBITION LABEL				1
33	SL6040892TN	BOLT				3
34	HX00150000F	CABLE CLIP				4
35	HX00150000D	CABLE CLIP				10
36	HX00150000H	CABLE CLIP				3
37	EA9500B0100	CABLE BAND				3
38	EA9500B0200	CABLE BAND 150				5
39	SM6040802TP	SCREW M4X0.7 L=8				5

FRAME & MISCELLANEOUS COVER COMPONENTS (3)



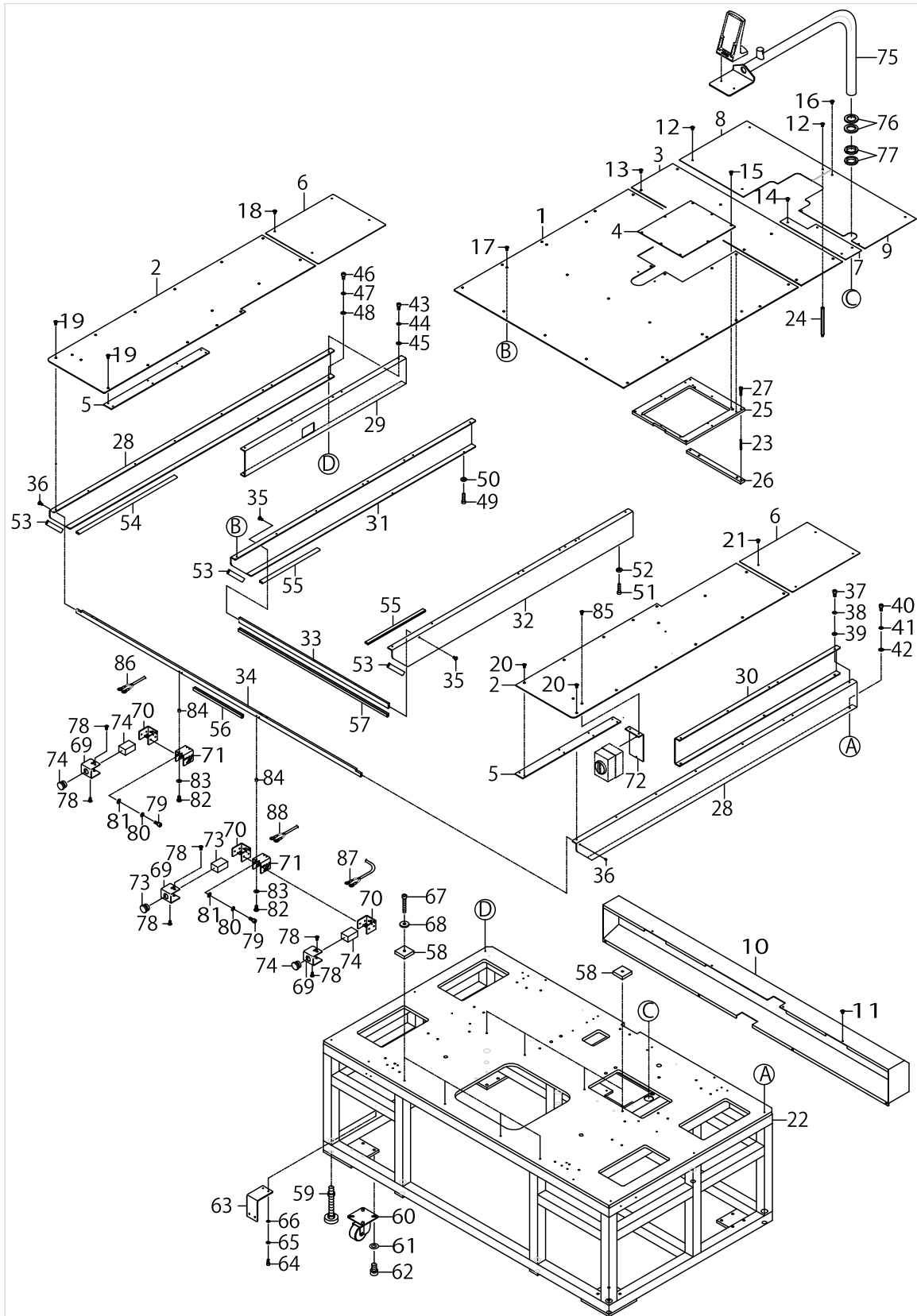
FRAME & MISCELLANEOUS COVER COMPONENTS (3)

No.	Parts No.	Parts name	Remarks	Level	Cons	Qty
1	B1111220000A	BED HINGE				2
2	B1115220000	RUBBER PAD A				2
3	B1120223C00	HING SHAFT				1
4	NM6120011SF	NUT M12				4
5	SM9124503SB	SCREW M12 L=45				4
6	SS9151240SN	SCREW 15/64-28 L=11.5				2
7	WP1302501SE	WASHER M12				8
8	WS1253010KN	SPRING WASHER 12.5X21.5X3				4
9	40024997	LIFTER_BASE				1
10	SM6061202TP	SCREW M6 L=12				2
11	WP0641601SC	WASHER				2
12	13816855	CYLINDER ARM CAP				1
13	31262801	PIN				1
14	26221200	HOOK COVER PRESSER SPRING B				1
15	26221101	HOOK COVER PRESSER SPRING A				1
16	SL4041091SC	SCREW M4 L=10				1
17	40040230	INT PCB ASM				1
18	SL4040891SC	SCREW M4 L=8				4
19	HX003390000	STUD				4
20	TA2100904R0	RUBBER PLUG				1
21	40072213	OIL_PAN_GASKET				1
22	40072212	OIL_PAN				1
23	SM6040802TP	SCREW M4X0.7 L=8				8
24	B8112220000	OIL SEAL				1
25	B8202205000	OIL MANAGEMENT				1
26	B8111220000	WASHER				1
27	SL4031481SC	SCREW M3 X 14				4
28	B9121012000	OIL CAN				1
29	TA0750404R0	PLUG D=7.5 L=3.5				1
30	40123401	CUSHION¥n¥n BLOCK				3
31	CM300200003	ATTENTION LABEL				1
32	CM100300001	MUST NOT HOLD LABEL				1
33	CM300200003	ATTENTION LABEL				2
34	40058949	BINDER_CAUTION_LABEL_M				4
35	16870206	GRAVITY SEAL				3
36	CM300200001	ATTENTION SEAL				4
37	40058949	BINDER_CAUTION_LABEL_M				1
38	HX00326000N	DOME PLUG				1

FRAME & MISCELLANEOUS COVER COMPONENTS (4)

No.	Parts No.	Parts name	Remarks	Level	Cons	Qty
1	40123799	NEEDLE PLATE SUPPORT COVER1				1
2	40123797	NEEDLE PLATE SUPPORT COVER2				2
3	40123798	NEEDLE PLATE SUPPORT COVER3				1
4	-	-				1
5	40123800	CONNECTION PLATE1				2
6	40123794	BED COVER1				2
7	-	-				1
8	40123795	BED COVER4				1
9	40123796	BED COVER5				1
10	40123793	BUCK COVER				1
11	-	SCREW M4X6				9
12	-	SCREW M4X6				4
13	-	SCREW M4X6				8
14	-	SCREW M4X6				4
15	-	SCREW M4X8				8
16	-	SCREW M4X6				4
17	-	SCREW M4X8				30
18	-	SCREW M4X6				4
19	-	SCREW M4X8				15
20	-	SCREW M4X8				15
21	-	SCREW M4X6				4
22	-	-				1
23	-	-				4
24	-	-				3
25	-	-				1
26	-	-				1
27	-	SCREW M4X16				6
28	-	-				2
29	-	-				1
30	-	-				1
31	-	-				1
32	-	-				1
33	40123801	COVER SUPPORT1				1
34	40123802	COVER SUPPORT2				1
35	-	SCREW M4X8				2
36	-	SCREW M4X8				2
37	-	SCREW M5X10				6
38	-	SW				6
39	-	W				6
40	-	SCREW M5X10				6
41	-	SW				6
42	-	W				6
43	-	SCREW M5X10				6
44	-	SW				6
45	-	W				6
46	-	SCREW M5X10				6
47	-	SW				6

FRAME & MISCELLANEOUS COVER COMPONENTS (4)



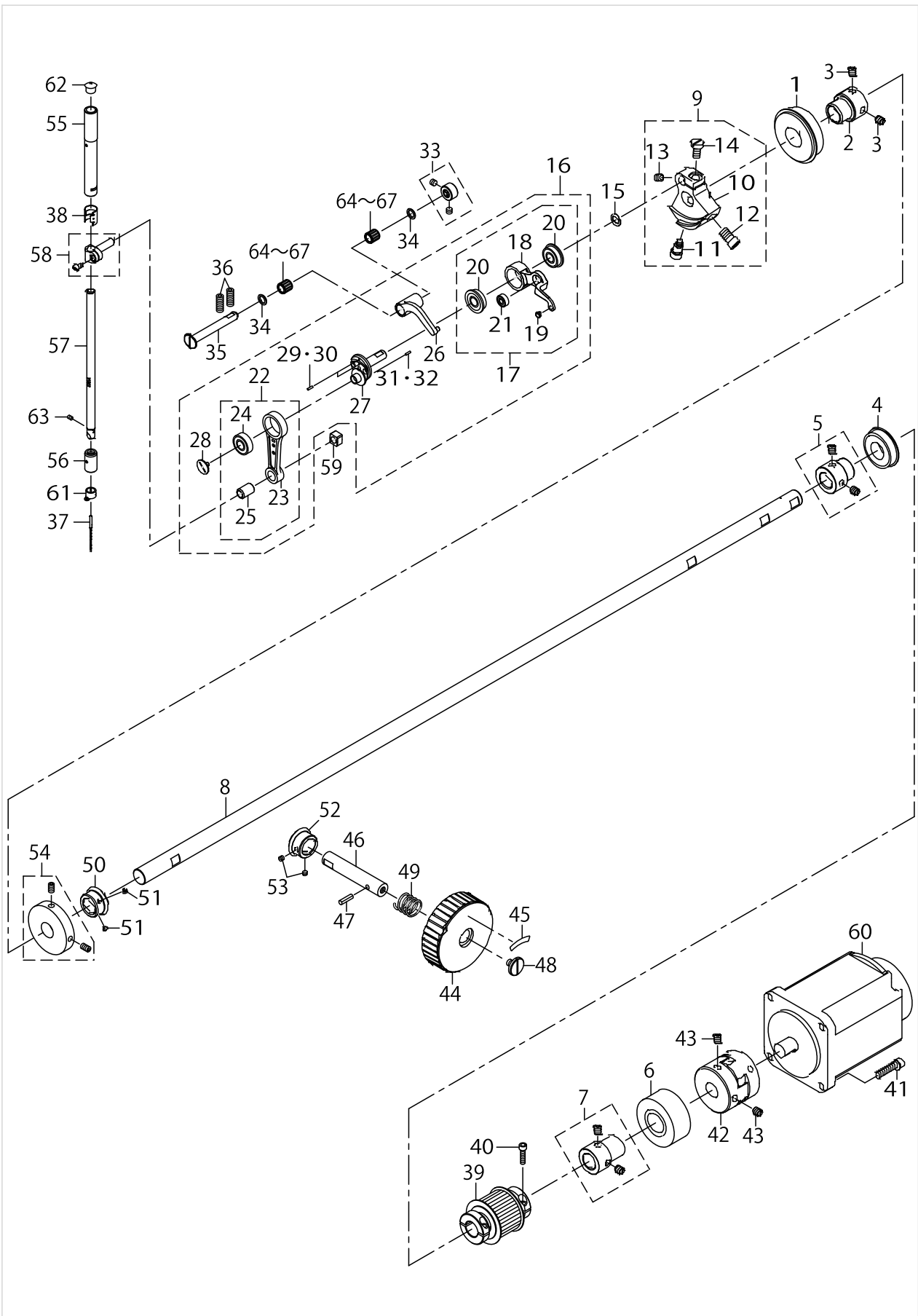
FRAME & MISCELLANEOUS COVER COMPONENTS (4)

No.	Parts No.	Parts name	Remarks	Level	Cons	Qty
48	-	W				6
49	-	SCREW M5X20				3
50	-	-				3
51	-	SCREW M5X20				3
52	-	-				3
53	40123402	CUSHING 1				3
54	40123403	CUSHING 2				1
55	40123404	CUSHING 3				2
56	40123405	CUSHING 4				1
57	40123406	CUSHING 5				1
58	40123804	SPACER				8
59	40123805	ADJUSTER BOLT				8
60	40123806	CASTER				4
61	-	W				16
62	-	SCREW M10X15				16
63	-	-				1
64	-	SCREW M4X10				2
65	-	SW				2
66	-	W				2
67	-	SCREW M6X40				8
68	40123803	WASHER				8
69	-	-				3
70	-	-				3
71	-	-				2
72	-	-				1
73	40123808	SWITCH				1
74	40123809	SWITCH				2
75	-	-				1
76	-	-				2
77	-	-				2
78	-	SCREW M4X8				6
79	-	SCREW M5X12				6
80	-	SW				6
81	-	W				6
82	-	SCREW				4
83	-	W				4
84	-	COLLAR				4
85	-	SCREW M4X8				2
86	-	-				1
87	-	-				1
88	-	-				1

MAIN SHAFT & NEEDLE BAR COMPONENTS

No.	Parts No.	Parts name	Remarks	Level	Cons	Qty
1	SB12000900	BEARING				1
2	23604200	MAIN SHAFT BEARING SUPPORT				1
3	SM8060812TP	SCREW M6 L=8				2
4	SB120001800	BEARING				1
5	40010415	BEARING_BUSH_A_ASM.				1
6	SB120001700	BEARING				1
7	40010418	BEARING_BUSH_B_ASM.				1
8	40072086	MAIN SHAFT				1
9	40010422	COUNTER_WEIGHT_ASM.				1
10	40010423	COUNTER_WEIGHT		*		1
11	40010424	COUNTER_WEIGHT_SCREW_A		*		1
12	40010425	COUNTER_WEIGHT_SCREW_B		*		1
13	40010426	COUNTER_WEIGHT_SCREW_C		*		1
14	40010427	COUNTER_WEIGHT_SCREW_D		*		1
15	WP0820516SP	WASHER 11.6X8.2X0.6				1
16	40078382	THREAD_TAKE_UP_COMPL				1
17	40006530	THREAD_TAKE_UP_LEVER_ASM.		*		1
18	40006531	THREAD_TAKE_UP_LEVER		*		1
19	B1908505000	THREAD PASS BUSH		*		1
20	SB108002200	BEARING		*		2
21	SB104001600	BEARING		*		1
22	40078106	NEEDLE_BAR_CRANK_ROD_ALL_ASM		*		1
23	40006535	NEEDLE_BAR_CRANK_ROD		*		1
24	SB108002300	BEARING		*		1
25	22891006	NEEDLE BAR CRANK ROD BUSH		*		1
26	40006532	THREAD_TAKE_UP_CRANK		*		1
27	40078083	NEEDLE_ROD_CRANK		*		1
28	B1903552000	LEFT SCREW		*		1
29	40078135	PIN	SELECTIVE PARTS	*		1
30	40096186	PIN	SELECTIVE PARTS	*		1
31	B1705850000	STOPPER PIN	SELECTIVE PARTS	*		1
32	40096209	PIN	SELECTIVE PARTS	*		1
33	40010434	THRUST_COLLAR_ASM.				1
34	22891204	BEARING SUPPORT				2
35	40011902	THREAD_TAKE_UP_CRANK_SHAFT				1
36	SM8061612TP	SCREW M6X16				2
37	MDP17BB2400	NEEDLE DPX17 #24				1
38	40078160	NEEDLE_ROD_METAL_GREASE_COVER				1
39	40072233	SPROCKET_ASM				1
40	SM6041602TP	SCREW M4X0.7 L=16				4
41	SL6052592TN	BOLT				4
42	23604309	COUPLING				1
43	SM8060812TP	SCREW M6 L=8				4
44	B1212210D00	PULLEY				1
45	B1144210000	REVOLVING DIRECTION LABEL				1
46	40044053	PULLEY SHAFT				1
47	PS0400142KH	SPRING PIN 4X14				1

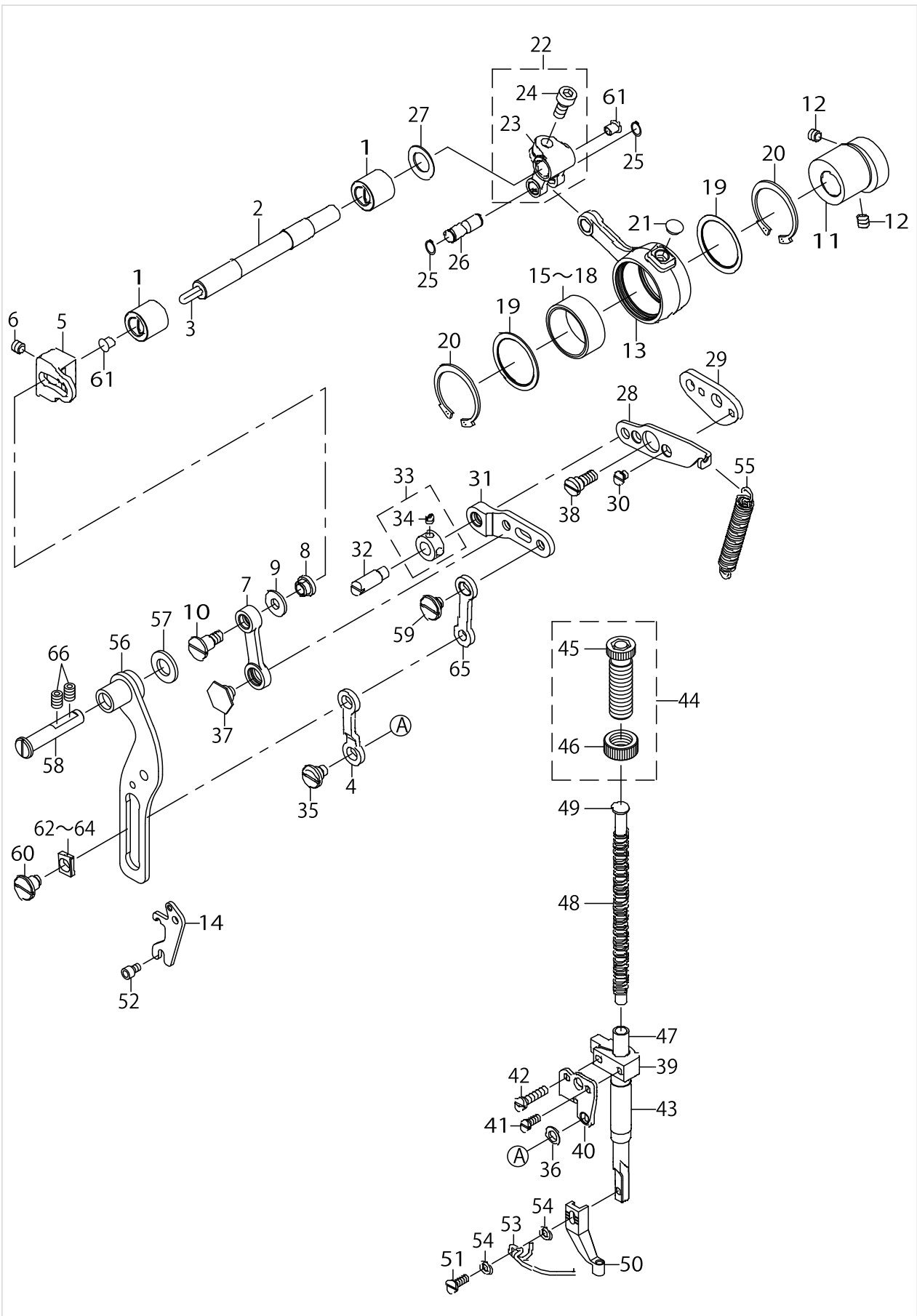
MAIN SHAFT & NEEDLE BAR COMPONENTS



MAIN SHAFT & NEEDLE BAR COMPONENTS

No.	Parts No.	Parts name	Remarks	Level	Cons	Qty
48	A1230500000A	HANDWHEEL SETSCREW				1
49	GAF01007000	SPRING				1
50	40006515	GEAR_A				1
51	SM8040310SS	SCREW M4 L=3				2
52	40006516	GEAR_B				1
53	SM8040310SS	SCREW M4 L=3				2
54	40010533	BTW_DRIVING_WHEEL_ASM.				1
55	40077604	NEEDLE_ROD_METAL				1
56	40077605	NEEDLE_ROD_LOWER_METAL				1
57	40026882	NEEDLE_BAR				1
58	B14115520A0	NEEDLE BAR CONNECTING ASM.				1
59	B1414555000	SLIDE BLOCK				1
60	40052937	550W_SERVO_MOTOR				1
61	40026884	NEEDLE_BAR_SHREAD_GUIDE_H				1
62	22901409	NEEDLE BAR UPPER BUSH CAP				1
63	SM8030412TP	SCREW				1
64	SB30700020A	BEARING	SELECTIVE PARTS			2
65	SB30700020B	BEARING	SELECTIVE PARTS			2
66	SB30700020C	BEARING	SELECTIVE PARTS			2
67	SB30700020D	BEARING	SELECTIVE PARTS			2

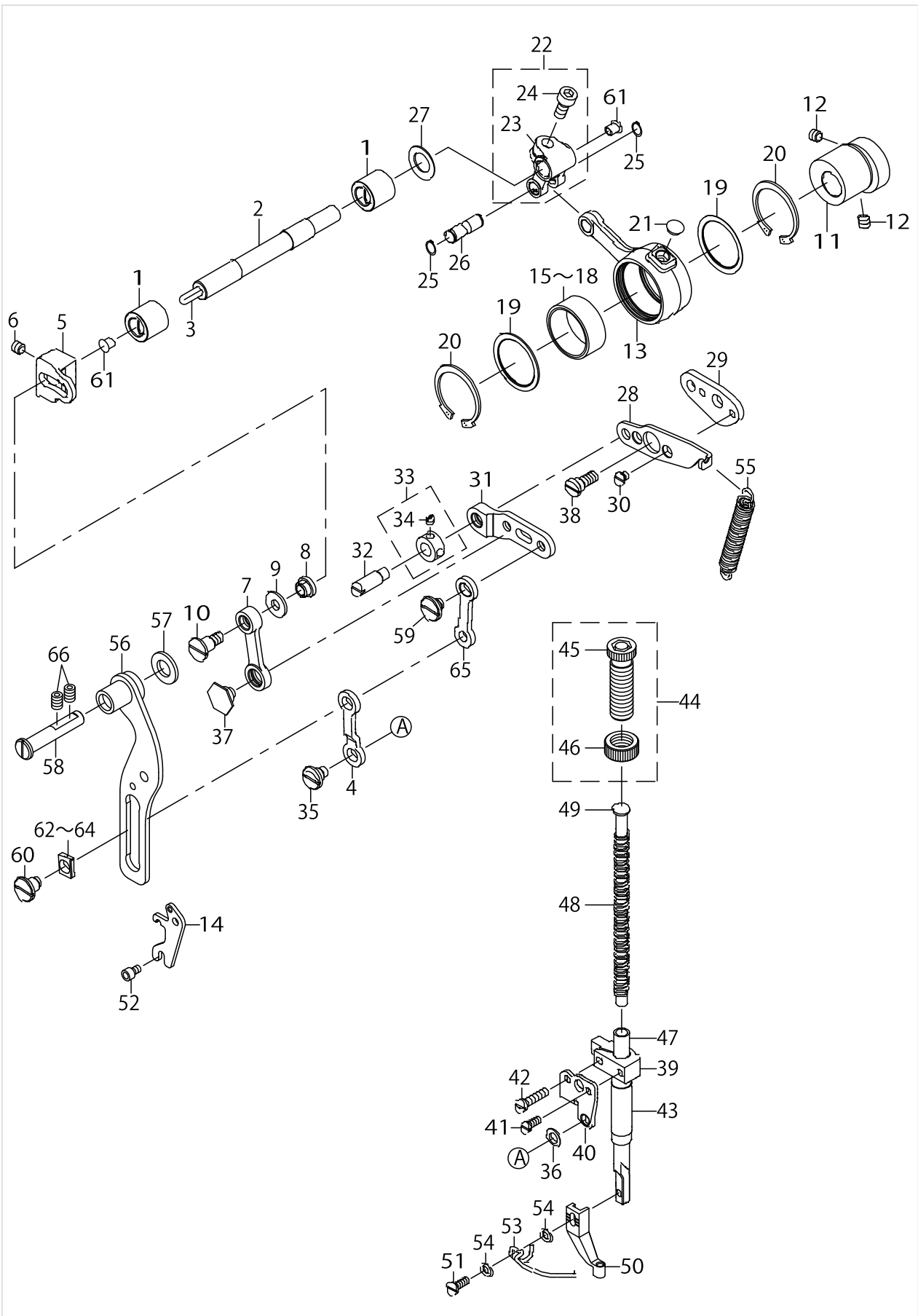
PRESSER MECHANISM & PRESSER VARIABLE COMPONENTS (1)



PRESSER MECHANISM & PRESSER VARIABLE COMPONENTS (1)

No.	Parts No.	Parts name	Remarks	Level	Cons	Qty
1	40025431	BUSHING				2
2	40025427	INTERMEDIATE_PRESSER_SHAFT				1
3	CQ303000000	OIL WICK				0.18
4	40030617	INTERMEDIATE_PRESSER_LINK_D				1
5	40025012	ADJUSTING_ARM				1
6	SM8060812TP	SCREW M6 L=8				1
7	40068835	INTERMEDIATE_PRESSURE_LINK				1
8	40025415	ADJUSTING_NUT				1
9	WP0611626SP	WASHER 15X6X1.6				1
10	SD0800746TP	SHOULDER SCREW				1
11	40025428	ECCENTRIC_CAM				1
12	SM8060812TP	SCREW M6 L=8				2
13	40025011	CRANK_CONNECTING_ROD				1
14	40068833	POSITIONING_LINK_SPRING_HOOK				1
15	B1636581A00	NEEDLE BEARING	SELECTIVE PARTS			1
16	B1636581B00	NEEDLE BEARING B	SELECTIVE PARTS			1
17	B1636581C00	NEEDLE BEARING	SELECTIVE PARTS			1
18	B1636581D00	NEEDLE BEARING	SELECTIVE PARTS			1
19	40012965	BEARING_SUPPORT_PLATE				2
20	RC3781518KP	RETAINING RING				2
21	TA0750404R0	PLUG D=7.5 L=3.5				1
22	13122452	FEED BRANCH CRANK ASM.				1
23	13122403	FEED BRANCH CRANK		*		1
24	SM6061402TP	SCREW M6 L=14		*		1
25	RC0650811KP	RETAINING RING				2
26	40025429	ROD_CONNECTING_SHAFT				1
27	WP1221016SP	WASHER				1
28	40068834	POSITIONING_LINK				1
29	40024988	POSITIONING_LINK_B				1
30	SS1110640TP	SCREW 11/64-40 L= 5.5				2
31	40030620	INTERMEDIATE_PRESSER_LINK_B				1
32	B1408180000	HINGE SCREW				1
33	CS079073ASH	THRUST COLLAR ASM.				1
34	SS8110410TP	SCREW 11/64-40 L= 3.5		*		2
35	SD0800386TP	SHOULDER SCREW D=8 H=3.75				1
36	40029419	LINK_CONNECTING_PLATE_WASHER				1
37	SD1000506TP	SHOULDER SCREW D=10 H=4.95				1
38	SD0800408TP	SHOULDER SCREW				1
39	23610108	PRESSER BAR GUIDE BRACKET				1
40	40024991	LINK_CONNECTING_PLATE				1
41	SS6090910SP	SCREW 9/64-40 L=9				1
42	SS7111810TP	SCREW 11/64-40 L=18				1
43	40078133	PRESSER_BUSHING				1
44	22907554	PRESSER SPRING REG NUT ASM.				1
45	22907505	PRESSER SPRING REGULATOR		*		1
46	22907604	PRESSER SPRING REGULATOR NUT		*		1
47	40030623	INTERMEDIATE_PRESSER_BAR				1

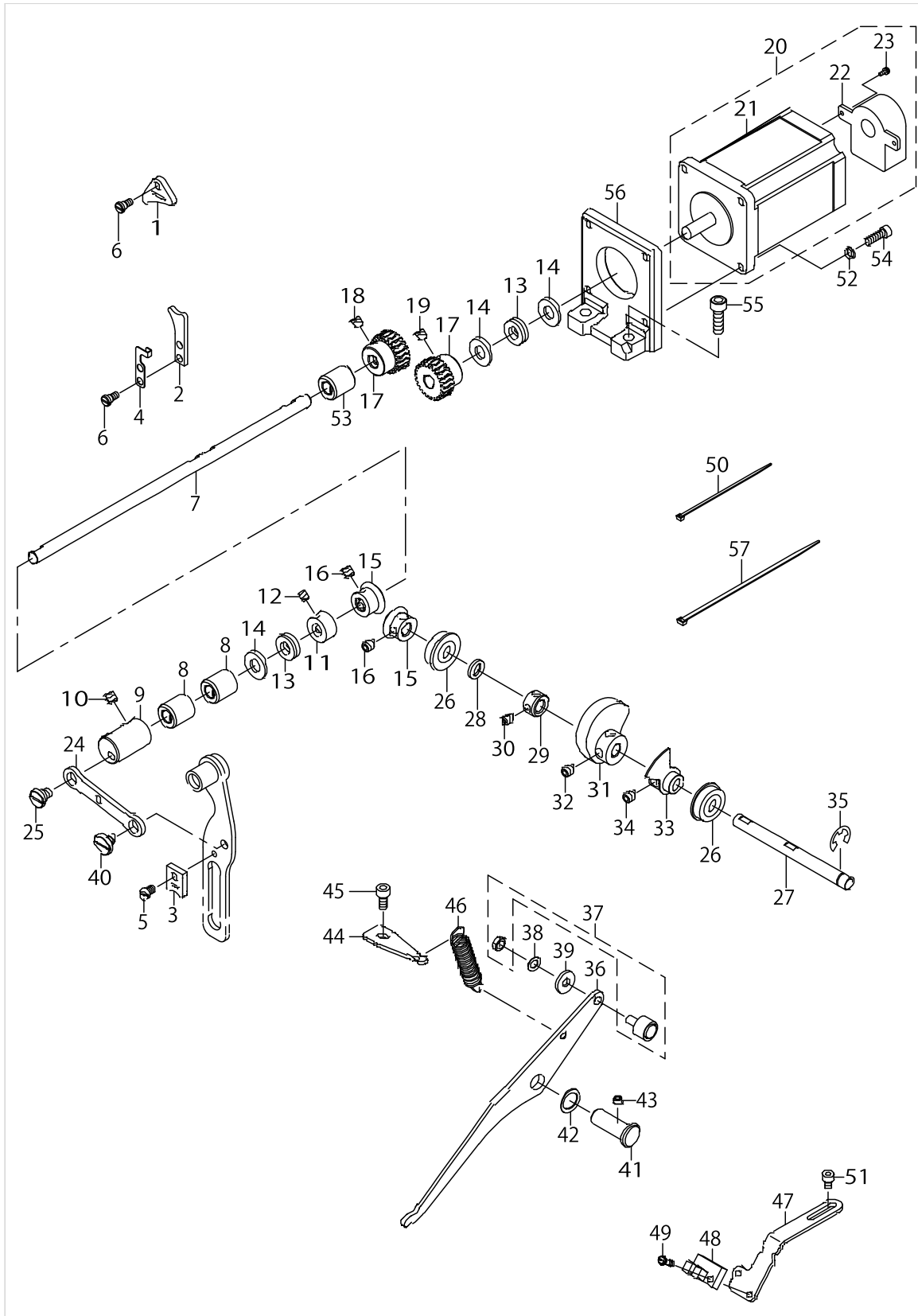
PRESSER MECHANISM & PRESSER VARIABLE COMPONENTS (1)



PRESSER MECHANISM & PRESSER VARIABLE COMPONENTS (1)

No.	Parts No.	Parts name	Remarks	Level	Cons	Qty
48	B161121000A	INNER PRESSER SPRING				1
49	40023631	PRESSER GUIDE BAR				1
50	B1601210D0CA	INTERMEDIATE PRESSER C				1
51	SM7751160TP	SCREW				1
52	SM6040602TP	SCREW M4 L=6				2
53	B1634210D00	FINGER GUARD				1
54	WP0430800SC	WASHER M4				2
55	40030621	INTERMEDIATE_PRESSER_SPRING B				1
56	40077925	PRESSURE_VARIABLE_PLATE_ASM.				1
57	40078113	COLLAR				1
58	40023624	THREAD_TRIMMER_SHAFT				1
59	SD0800336TP	SHOULDER SCREW				1
60	SD0800656TP	SHOULDER SCREW				1
61	TA0550604R0	RUBBER PLUG				2
62	40030628	SLIDE_BLOCK_A	SELECTIVE PARTS			1
63	40030629	SLIDE_BLOCK_B	SELECTIVE PARTS			1
64	40030630	SLIDE_BLOCK_C	SELECTIVE PARTS			1
65	40030616	INTERMEDIATE_PRESSER_LINK_C				1
66	SM8060812TP	SCREW M6 L=8				2

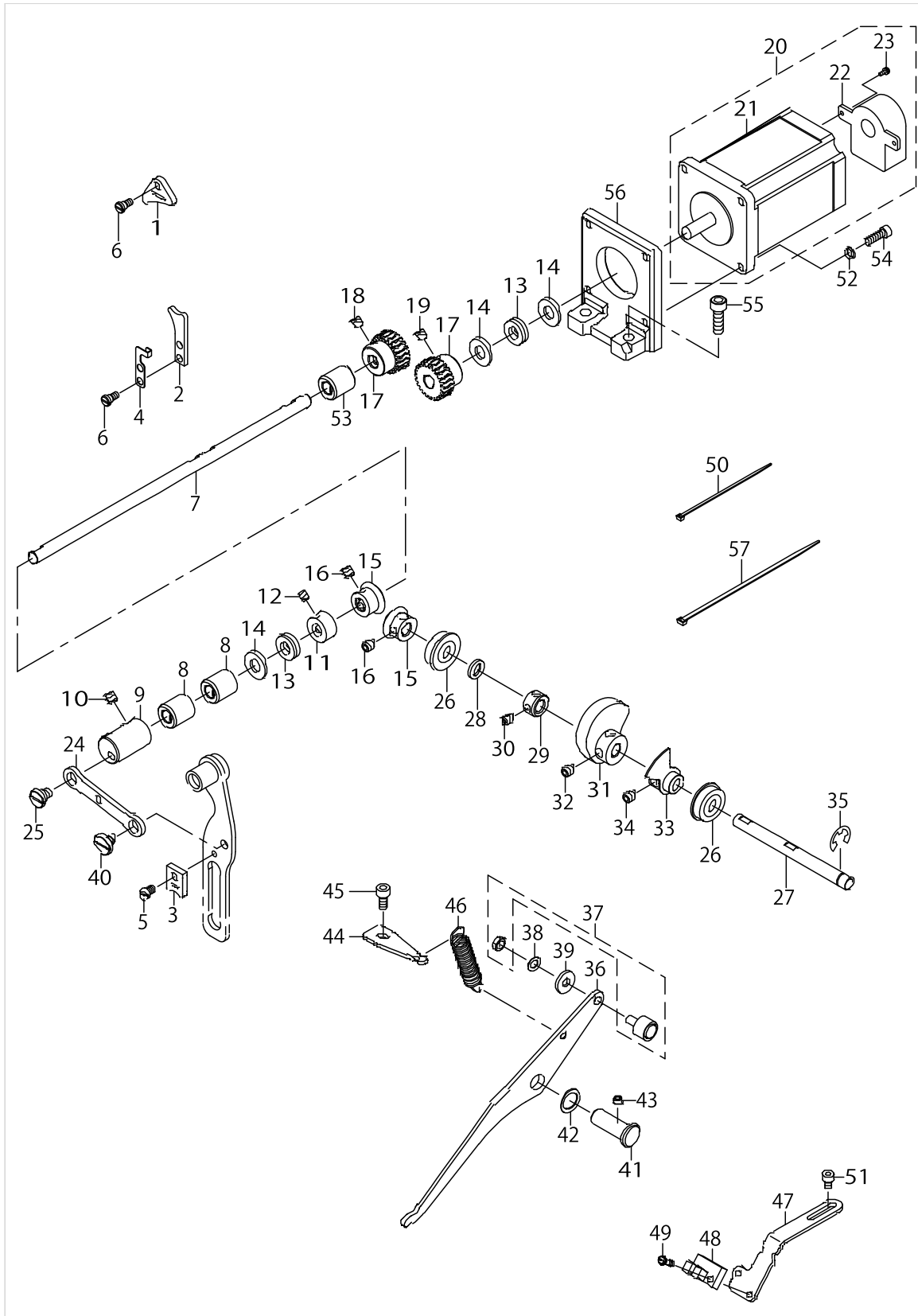
PRESSER MECHANISM & PRESSER VARIABLE COMPONENTS (2)



PRESSER MECHANISM & PRESSER VARIABLE COMPONENTS (2)

No.	Parts No.	Parts name	Remarks	Level	Cons	Qty
1	40030625	FACE_FELT_A				1
2	40030626	FACE_FELT_B				1
3	40030627	FACE_FELT_C				1
4	40026817	FACE_FELT_B_SUPPORT				1
5	40029420	FELT_SCREW_C				1
6	40032483	FELT_SCREW_AB				3
7	40032179	PRESSER_VARIABLE_SHAFT				1
8	40025423	BUSHING B				2
9	40026819	PRESSER_VARIABLE_ARM				1
10	SM8480652TP	SCREW				2
11	CS0800881TP	THRUST COLLAR				1
12	SM8050412TP	SCREW M5 L=4				2
13	SB408000100	BEARING				2
14	WP0850002SP	WASHER 8.5X18X1.6				3
15	40030615	PRESSER_LIFT_GEAR				2
16	SM8060812TP	SCREW M6 L=8				4
17	40032180	PRESSER_MOTOR_GEAR_A				2
18	SM8060812TP	SCREW M6 L=8				2
19	SM8060602TP	SCREW M6X6				2
20	40103969	ENCODER MOTOR ASM.(IP)				1
21	40071942	STEPPING MOTOR		*		1
22	HD002780000	SENSOR		*		1
23	SL4020591SC	SCREW M2X5		*		2
24	40024989	PRESSER_VARIABLE_LINK				1
25	SD0800337TP	SHOULDER SCREW				1
26	SB108000500	RADIAL BEARING				2
27	40025426	PRESSER_LIFT_SHAFT				1
28	WZ0850302K0	WAVED WASHER 8.5X12.5X0.3				1
29	CS0800881TP	THRUST COLLAR				1
30	SM8050412TP	SCREW M5 L=4				2
31	40025016	LIFTING_CAM				1
32	SM8060812TP	SCREW M6 L=8				2
33	40025418	SENSOR_SLIT_ASM				1
34	SM8060812TP	SCREW M6 L=8				2
35	RE0700000K0	E-RING 7				1
36	40025030	LIFTING_LINK				1
37	40027870	CAM FOLLOWER				1
38	WP0520656SA	WASHER 5.2X9.5X0.6				1
39	WP0522016SH	WASHER				1
40	SD0800387TP	SHOULDER SCREW D=8 H=3.75				1
41	B1641562000	FEED REGULATING ARM SHAFT				1
42	26226001	WASHER				1
43	SM8050412TP	SCREW M5 L=4				1
44	40025420	LIFTER_LINK_SPRING_HOOK				1
45	SM6050802TP	SCREW M5X0.8 L=8				1
46	40003970	TENSION RELEASE RETURN				1
47	40025419	SENSOR_INSTALLING_BASE				1

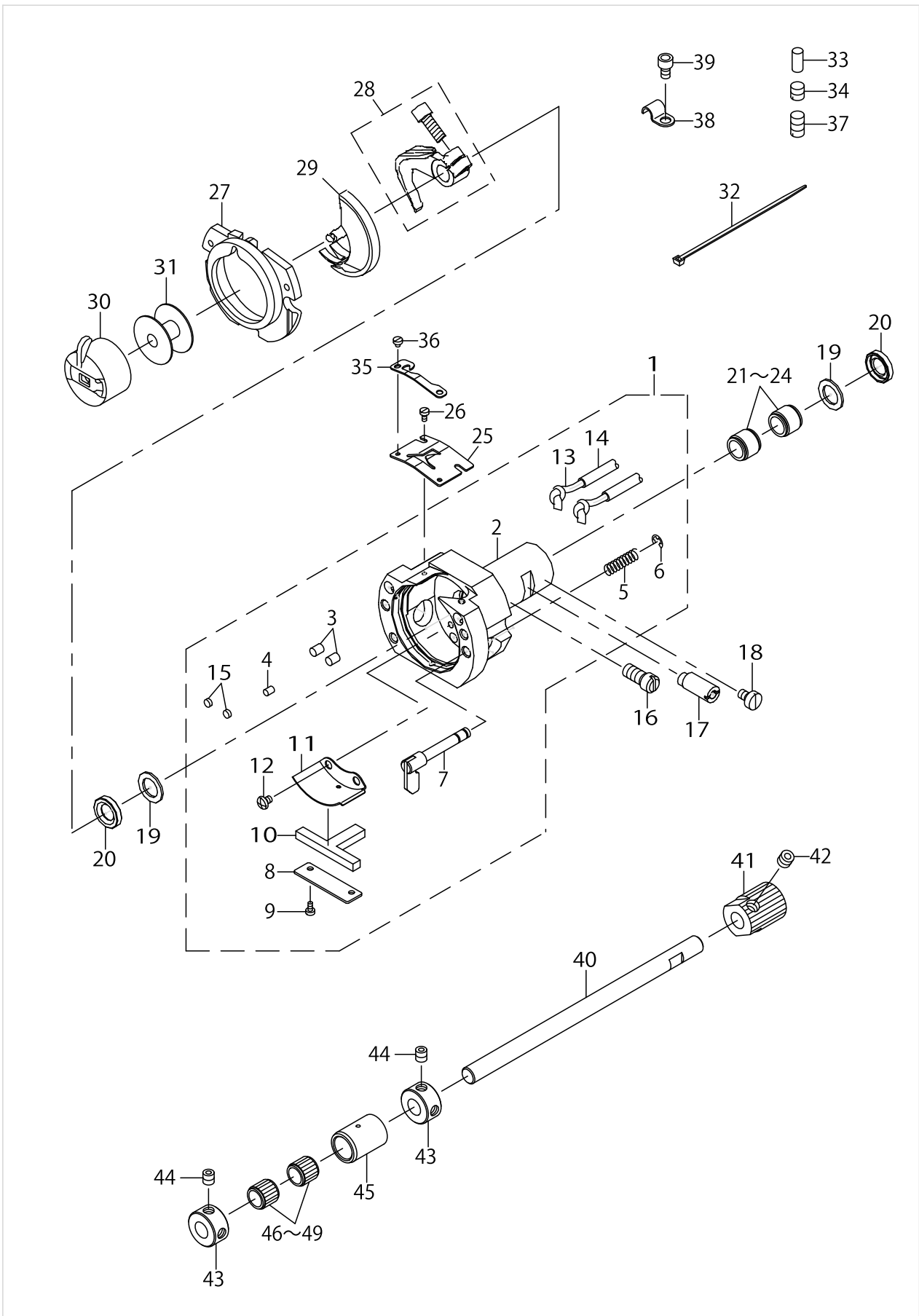
PRESSER MECHANISM & PRESSER VARIABLE COMPONENTS (2)



PRESSER MECHANISM & PRESSER VARIABLE COMPONENTS (2)

No.	Parts No.	Parts name	Remarks	Level	Cons	Qty
48	HD00057000A	PHOTO SENSOR				1
49	SL4031091SC	SCREW M3 X 10				1
50	EA9500B0100	CABLE BAND				2
51	SM6040602TP	SCREW M4 L=6				2
52	WP0450846SP	WASHER				4
53	40043321	BUSHING_C				1
54	SM6041402TP	SCREW M4 L=14				4
55	SM6061802TP	SCREW M6 L=18				2
56	40032181	PRESSER_MOTOR_BRACKET				1
57	EA9500B0200	CABLE BAND 150				2

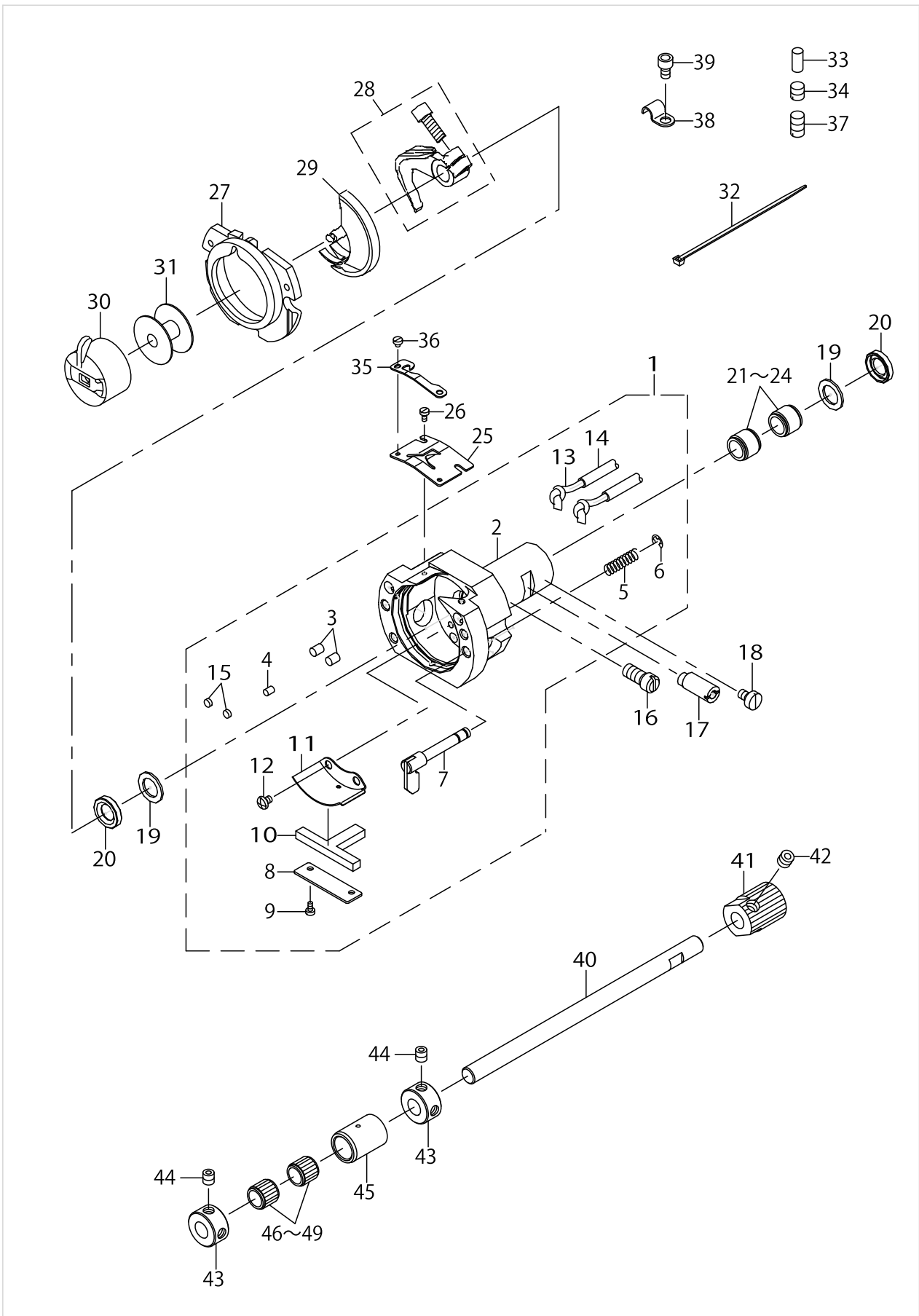
SHUTTLE DRIVER SHAFT COMPONENTS (1)



SHUTTLE DRIVER SHAFT COMPONENTS (1)

No.	Parts No.	Parts name	Remarks	Level	Cons	Qty
1	40072140	SHUTTLE_ASM				1
2	40006574	SHUTTLE		*		1
3	B1820210D00	SHUTTLE OIL FELT,A		*		2
4	B1821210D00	SHUTTLE OIL FELT,B		*		1
5	B1822215P00	INNER HOOK PRESSER SPRING		*		2
6	RE0300000K0	E-RING 3		*		2
7	26501858	INNER-HOOK-PRESSER COMPL.		*		2
8	14104004	ONCE THROUGH OIL FELT PRESSER		*		1
9	SM6020460TP	SCREW		*		2
10	14103907	SHUTTLE ONCE THROUGH OIL FELT		*		1
11	40006577	SHUTTLE_LUBRICATING_PLATE		*		1
12	SM4030455SP	SCREW		*		2
13	CQ200000000	OIL WICK		*		8.9
14	23630007	TUBE		*		3.9
15	13529607	SHUTTLE PACKING		*		2
16	40010470	SHUTTLE_ASM_SCREW				1
17	40010471	SHUTTLE_RACE_ADJUSTING_SHAFT				1
18	SM6060800SP	SCREW M6 L=8				1
19	40010472	SHUTTLE_BEARING_RING				2
20	40006576	SHUTTLE_OIL_SEAL				2
21	SB30800100A	BEARING	SELECTIVE PARTS			2
22	SB30800100B	BEARING	SELECTIVE PARTS			2
23	SB30800100C	BEARING	SELECTIVE PARTS			2
24	SB30800100D	BEARING	SELECTIVE PARTS			2
25	40036117	SHUTTLE UPPER SPRING				1
26	SM6020460TP	SCREW				2
27	14103352	INNER HOOK PRESSER ASM., B				1
28	40014963	SHUTTLE DRIVER ASM.				1
29	40061991	SHUTTLE(H)				1
30	B1828210DAA	BOBBIN CASE ASM.				1
31	B1806210D00	BOBBIN				1
32	EA9500B0100	CABLE BAND				2
33	40006578	OIL_WICK_PRESSER				1
34	SM8060610TP	SCREW				1
35	40036118	LOWER THREAD HOLDER				1
36	SM6020250TP	SCREW				2
37	SM8061050TP	SCREW				1
38	B3538112000	OIL RETURN TUBE HOLDER				1
39	SM6040602TP	SCREW M4 L=6				1
40	40072102	DRIVER SHAFT				1
41	40072101	LOWER SHAFT GEAR				1
42	SM8060552TP	SCREW M6 L=5				2
43	CS0800971TP	THRUST COLLAR D=8 W=9				2
44	SM8050512TP	SCREW				4
45	B1847221D00	LOWER SHAFT MIDDLE METAL				1
46	B1411804A00	BEARING (A)	SELECTIVE PARTS			1
47	B1411804B00	NEEDLE DRIVING LEVER BEARING B	SELECTIVE PARTS			1

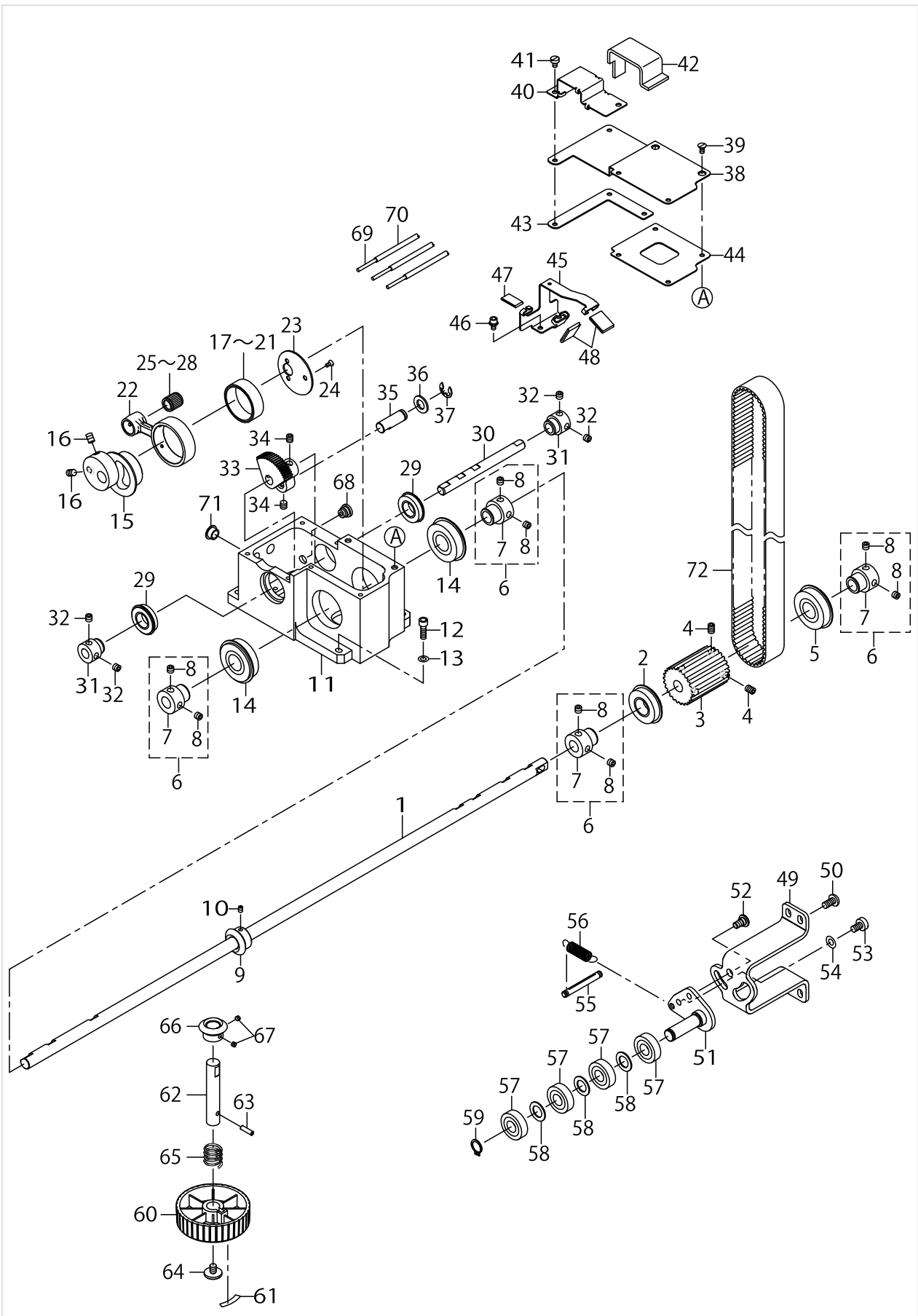
SHUTTLE DRIVER SHAFT COMPONENTS (1)



SHUTTLE DRIVER SHAFT COMPONENTS (1)

No.	Parts No.	Parts name	Remarks	Level	Cons	Qty
48	B1411804C00	NEEDLE DRIVING LEVER BEARING C	SELECTIVE PARTS			1
49	B1411804D00	BEARING (D)	SELECTIVE PARTS			1

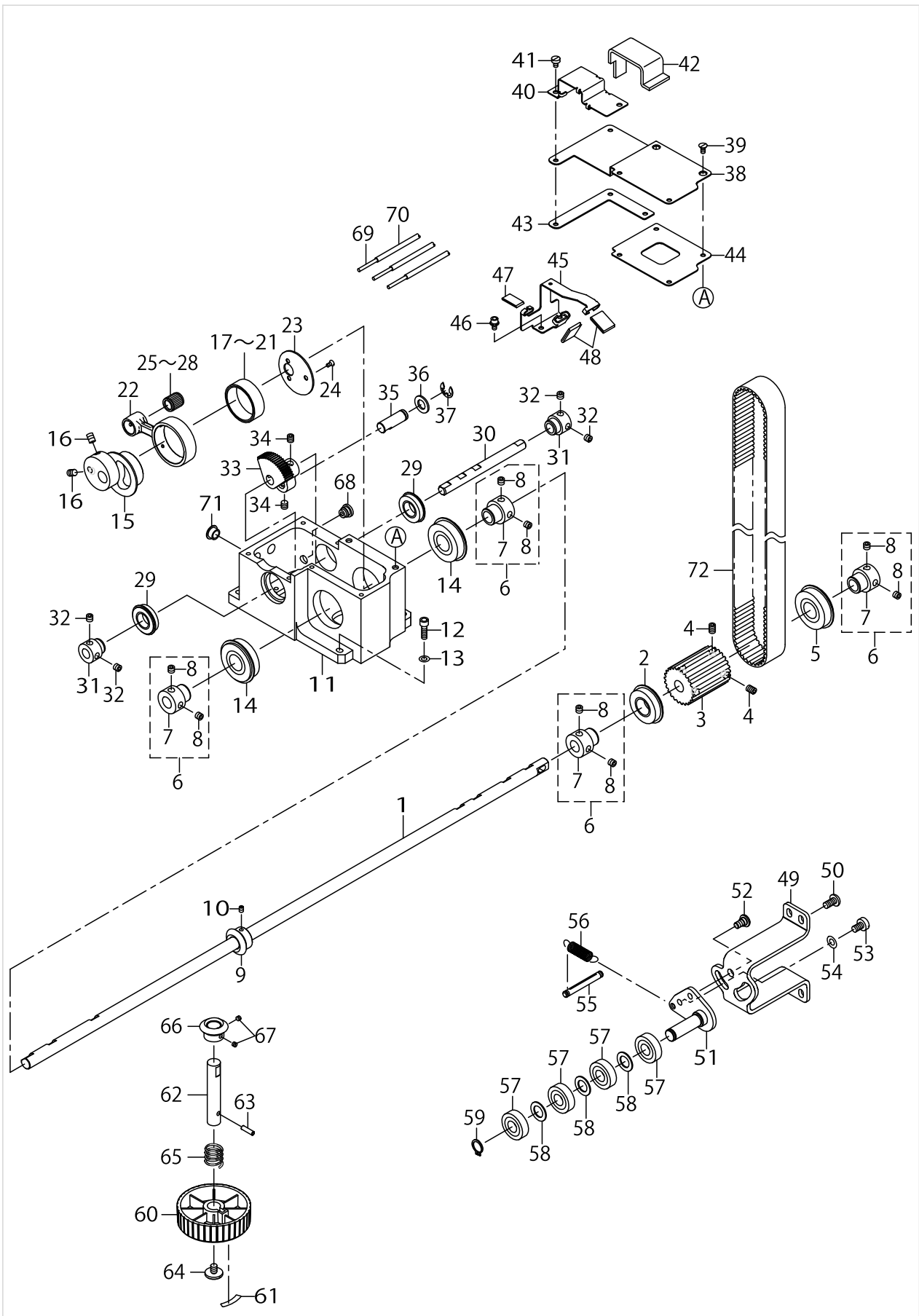
SHUTTLE DRIVER SHAFT COMPONENTS (2)



SHUTTLE DRIVER SHAFT COMPONENTS (2)

No.	Parts No.	Parts name	Remarks	Level	Cons	Qty
1	40072089	LOWER SHAFT				1
2	SB117000400	BEARING				1
3	40072207	LOWER SHAFT SPROCKET				1
4	SM8060812TP	SCREW M6 L=8				4
5	SB117001000	BEARING				1
6	40086384	BEARING SUPPORT ASM.				4
7	23618606	BEARING SUPPORT		*		1
8	SS8660612TP	SCREW 1/4-40 L=6		*		2
9	40072173	GEAR_A				1
10	SM8040502TP	SCREW M4X0.7 L=5				2
11	40072090	GEAR BOX				1
12	SM6051602TP	SCREW M5X0.8 L=16				4
13	WP0531000SD	WASHER M5				4
14	SB117001100	BEARING				2
15	40072091	ECCENTRICK CAM				1
16	SM8060812TP	SCREW M6 L=8				2
17	SB33500020A	BEARING				1
18	SB33500020B	BEARING				1
19	SB33500020C	BEARING				1
20	SB33500020D	BEARING				1
21	SB33500020E	BEARING				1
22	40072092	CRANK LOD				1
23	40072106	CRANK LOD SUPPORT PLATE				1
24	SM1030601SP	SCREW M3 L=6				3
25	SB31000110A	BEARING				1
26	SB31000110B	BEARING				1
27	SB31000110C	BEARING				1
28	SB31000110D	BEARING				1
29	SB115001400	BEARING				2
30	40072093	OSCILLATING SHAFT				1
31	40072227	BEARING_BUSH				2
32	SM8060552TP	SCREW M6 L=5				4
33	40072094	OSCILLATOR				1
34	SM8480652TP	SCREW				5
35	40072095	OSCILLATOR PIN				1
36	40026818	WASHER				1
37	RE0800000K0	E-SHAPED SNAP RING (8MM)				1
38	40072096	GEAR BOX COVER				1
39	SM1040870TP	SCREW				2
40	40072100	LUBRICATING PLATE				1
41	SM6040650TP	SCREW				5
42	40072099	FELT				1
43	40072097	GASKET A				1
44	40072098	GASKET B				1
45	40072159	LUBRICATION PLATE				1
46	SL6040892TN	BOLT				2
47	B3518280000	BALANCE LUBRICATING				1

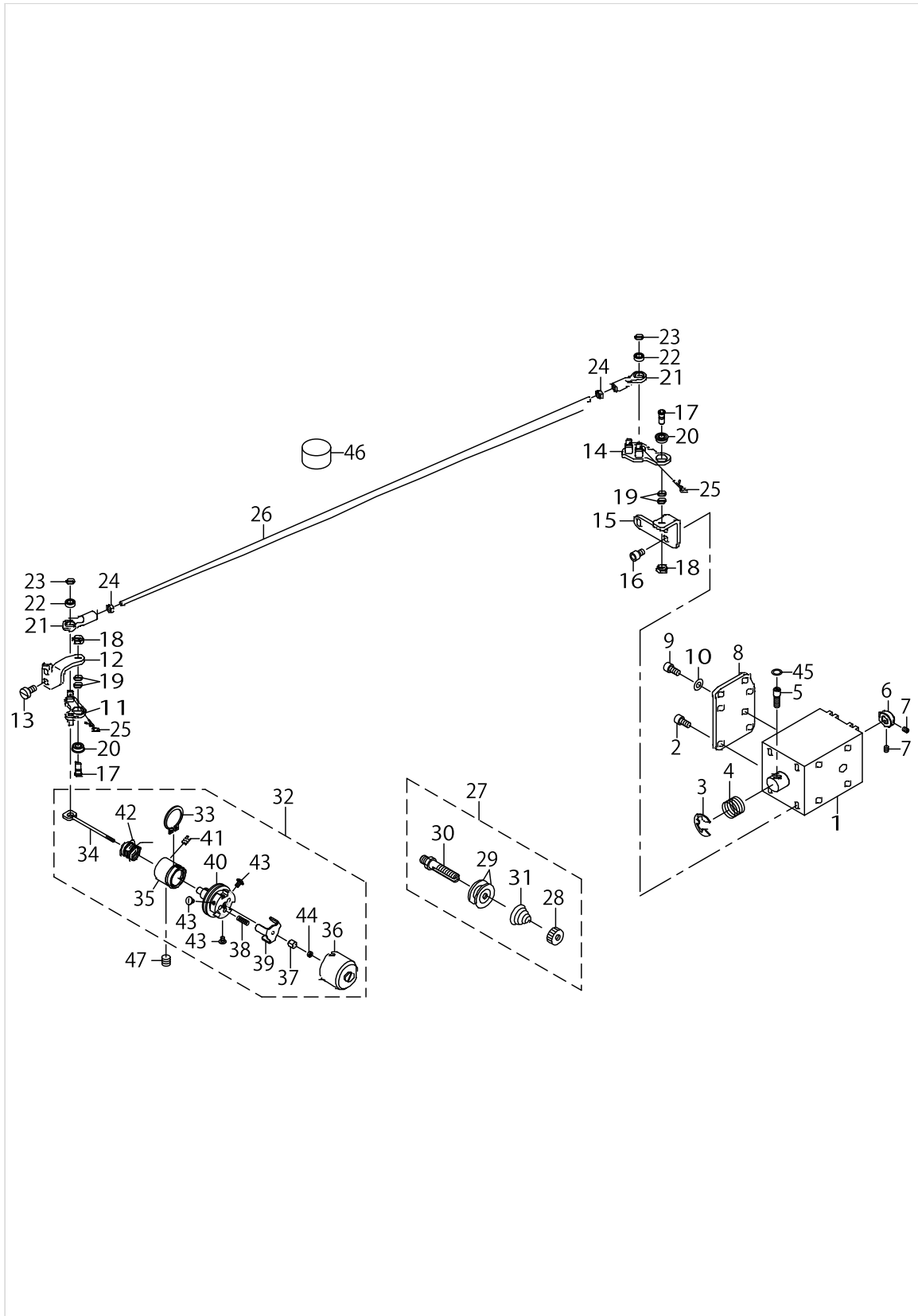
SHUTTLE DRIVER SHAFT COMPONENTS (2)



SHUTTLE DRIVER SHAFT COMPONENTS (2)

No.	Parts No.	Parts name	Remarks	Level	Cons	Qty
48	B3509280000	NEEDLE ROD CRANK LUBRICATING				2
49	40072208	IDLER INSTALLING PLATE				1
50	SM4061255SP	SCREW M6 L=12				4
51	40072103	IDLER BASE ASM				1
52	SD0800346TP	SHOULDER SCREW				1
53	SM6061010TP	SCREW M6 L=10				1
54	WP0641601SD	WASHER M6				1
55	13518501	SPRING SUSPENSION				1
56	14432504	IDLER SPRING				1
57	SB112000200	BEARING				4
58	WP1221016SP	WASHER				3
59	RC1200001KP	C-SHAPED SNAP RING				1
60	B1212210D00	PULLEY				1
61	B1144210000	REVOLVING DIRECTION LABEL				1
62	40044053	PULLEY SHAFT				1
63	PS0400142KH	SPRING PIN 4X14				1
64	A1230500000A	HANDWHEEL SETSCREW				1
65	GAF01007000	SPRING				1
66	40006515	GEAR_A				1
67	SM8040502TP	SCREW M4X0.7 L=5				2
68	40006840	RUBBER BUSH				3
69	CQ200000000	OIL WICK				2.6
70	23630007	TUBE				6.3
71	TA1050504R0	RUBBER PLUG				2
72	40072088	BELT				1

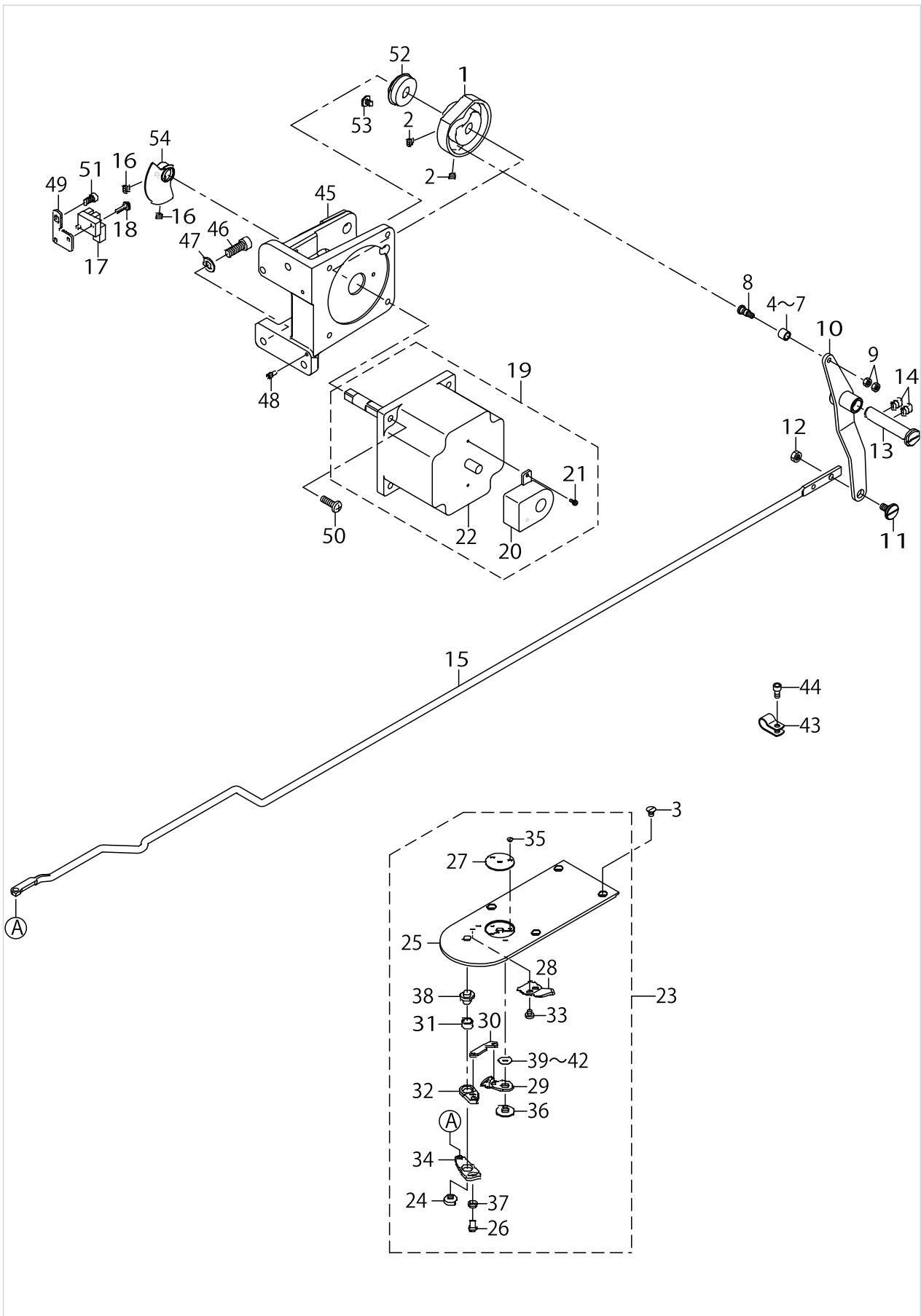
TENSION RELEASE & THREAD TENSION COMPONENTS



TENSION RELEASE & THREAD TENSION COMPONENTS

No.	Parts No.	Parts name	Remarks	Level	Cons	Qty
1	40073660	AT SOLENOID				1
2	SM6040802TP	SCREW M4X0.7 L=8				4
3	RE0900000K0	E-RING 9				1
4	40006625	SPRING				1
5	40006617	AT_SOL_PIN				1
6	40010477	AT_SOL_COLLAR				1
7	SM8030412TP	SCREW				2
8	40010479	AT_PLATE				1
9	SM6040802TP	SCREW M4X0.7 L=8				2
10	WP0430801SC	WASHER 4.3X9X0.8				2
11	40032343	AT_DRIVE_LINK_F_ASM				1
12	40023993	AT_PIVOT_BASE(F)				1
13	SM6040860TP	SCREW M4 L=8				2
14	40032345	AT_DRIVE_LINK_R_ASM				1
15	40023999	AT_PIVOT_BASE(R)				1
16	SM6040802TP	SCREW M4X0.7 L=8				2
17	40010487	AT_PIVOT_SCREW				2
18	NM6040003SC	NUT M4				2
19	40010489	AT_PIVOT_SCREW_WASHER				4
20	40010490	AT_PIVOT_BEARING				2
21	40010497	AT_JOINT				2
22	40010498	AT_JOINT_BEARING				2
23	40010489	AT_PIVOT_SCREW_WASHER				2
24	40010499	AT_JOINT_NUT				2
25	40006622	AT_SNAP_PIN				2
26	40072111	AT CONNECTION BAR				1
27	40010503	THREAD_TENSION_1_ASM.				1
28	22928808	NUT		*		1
29	22921506	THREAD TENSION DISK		*		2
30	40010504	THREAD_TENSION_SHAFT		*		1
31	26218602	FIRST THREAD TENSION SPRING		*		1
32	40029411	THREAD_TENSION_2_ASM_H				1
33	40010523	POST_BASE_C_RING		*		1
34	40010509	TENSION RELEASE PIN		*		1
35	40010510	THREAD_TENSION_POST_BASE		*		1
36	40010511	DISK_STOPPER_HOLDER_CAP		*		1
37	40010512	THREAD_TENSION_SHAFT_COLLAR		*		1
38	40010513	DISK_STOPPER_SPRING		*		3
39	40010514	DISK_STOPPER		*		1
40	40010515	ASSY_THREAD_TENSION_POST		*		1
41	40010478	AT_SOL_COLLAR_SCREW		*		1
42	40029412	THREAD_TAKE-UP_SPRING_H		*		1
43	40010521	HOLD_CAP_SCREW		*		3
44	40010522	SHAFT_NUT		*		1
45	WP0510516SD	WASHER 5.1X7.5X0.5				2
46	B1228232000	OIL FELT				2
47	SM8061612TP	SCREW M6X16				1

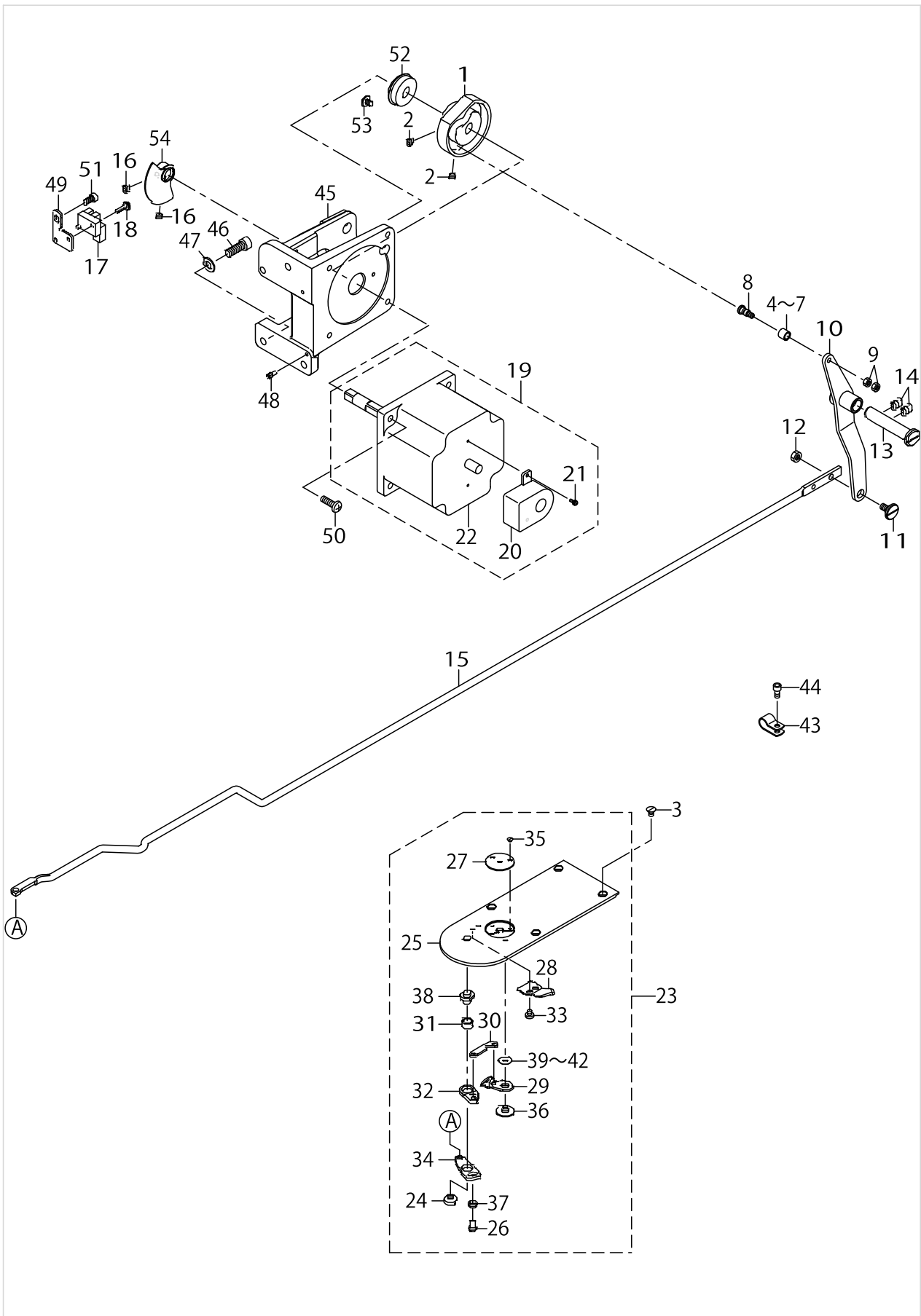
THREAD TRIMMER MECHANISM COMPONENTS



THREAD TRIMMER MECHANISM COMPONENTS

No.	Parts No.	Parts name	Remarks	Level	Cons	Qty
1	40030936	THREAD_TRIMMER_CAM				1
2	SM8050592TP	SCREW				2
3	SM1040650TP	SCREW				4
4	23517501	NEEDLE CAM ROLLER A	SELECTIVE PARTS			1
5	23517600	NEEDLE CAM ROLLER B	SELECTIVE PARTS			1
6	23517709	NEEDLE CAM ROLLER C	SELECTIVE PARTS			1
7	23517808	NEEDLE CAM ROLLER D	SELECTIVE PARTS			1
8	40040256	ROLLER_SHAFT				1
9	NM6040001SP	NUT M4X0.7				2
10	40072228	THREAD_TRIMMER_LINK_ASM				1
11	SD0800327TP	SHOULDER SCREW				1
12	NM6050001SP	NUT M5				1
13	40023624	THREAD_TRIMMER_SHAFT				1
14	SM8060812TP	SCREW M6 L=8				2
15	40072107	THREAD TRIMMER CONNECTING BAR				1
16	SM8050592TP	SCREW				2
17	HD00057000A	PHOTO SENSOR				1
18	SL4031091SC	SCREW M3 X 10				1
19	40103968	ENCODER MOTOR ASM.(TC)				1
20	HD002780000	SENSOR		*		1
21	SL4020591SC	SCREW M2X5		*		2
22	40071944	STEPPING MOTOR		*		1
23	40053776	NEEDLE_PLATE_ASM.				1
24	SS6110430TP	SCREW 11/64-40 L= 4.0		*		1
25	40030934	NEEDLE_PLATE		*		1
26	SS7110740TP	SCREW 11/64-40 L=7		*		1
27	B242621000F	NEEDLE HOLE GUIDE D=3.0		*		1
28	B2424210000	COUNTER KNIFE		*		1
29	B2421210AA0	MOVING KNIFE COMPL.		*		1
30	B2418280000	MOVING KNIFE LINK		*		1
31	B2416280000	THREAD CUTTING LEVER RING		*		1
32	B24152800A0	THREAD CUTTER LEVER ASM., SMALL		*		1
33	SS7090410SP	SCREW 9/64-40 L= 3.5		*		2
34	B24142800A0	THREAD CUTTER LEVER ASM., LARGE		*		1
35	SS1060210TP	SCREW 3/32-56 L=2.2		*		2
36	B2417210000	MOVING KNIFE HINGE SCREW		*		1
37	WP0450846SP	WASHER		*		1
38	B2417280000	THREAD CUTTER LEVER SHAFT		*		1
39	B242328000D	MOVING KNIFE WASHER D	SELECTIVE PARTS	*		1
40	B242328000B	MOVING KNIFE WASHER B	SELECTIVE PARTS	*		1
41	B242328000A	MOVING KNIFE WASHER A	SELECTIVE PARTS	*		1
42	B242328000C	MOVING KNIFE WASHER C	SELECTIVE PARTS	*		1
43	HX00150000C	CABLE CLIP				1
44	SM6040802TP	SCREW M4X0.7 L=8				1
45	40072211	MOTOR_BASE				1
46	SM6061802TP	SCREW M6 L=18				3
47	WP0651001SC	WASHER				3

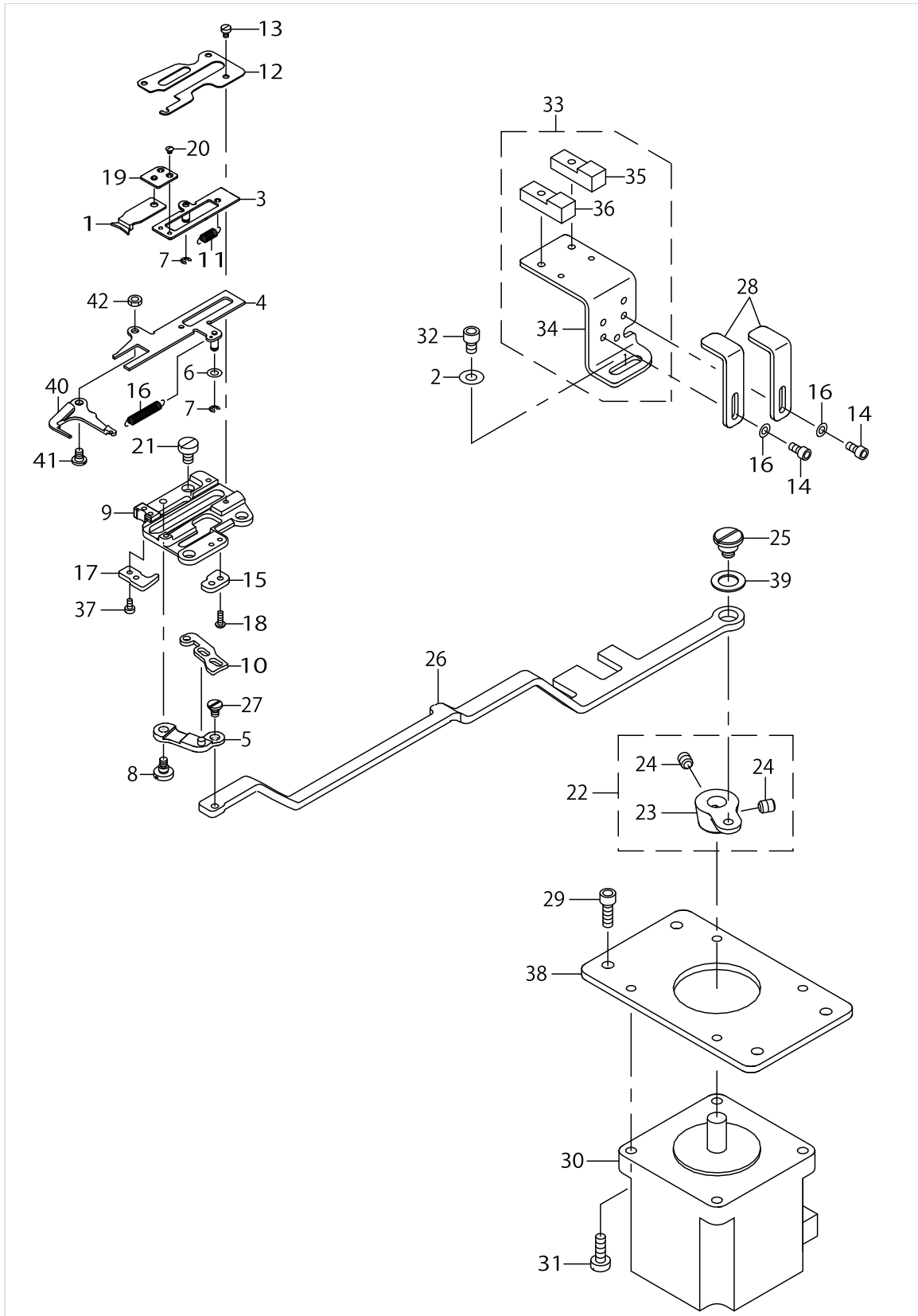
THREAD TRIMMER MECHANISM COMPONENTS



THREAD TRIMMER MECHANISM COMPONENTS

No.	Parts No.	Parts name	Remarks	Level	Cons	Qty
48	B1816215P00	GUIDE PIN				2
49	40010443	SENSOR_INSTALLING_BASE				1
50	SM4051655SP	SCREW M5 L=16				4
51	SM6040802TP	SCREW M4X0.7 L=8				1
52	SB110002400	BEARING				1
53	SM6040650TP	SCREW				1
54	40006666	SENSOR_SLIT_ASM				1

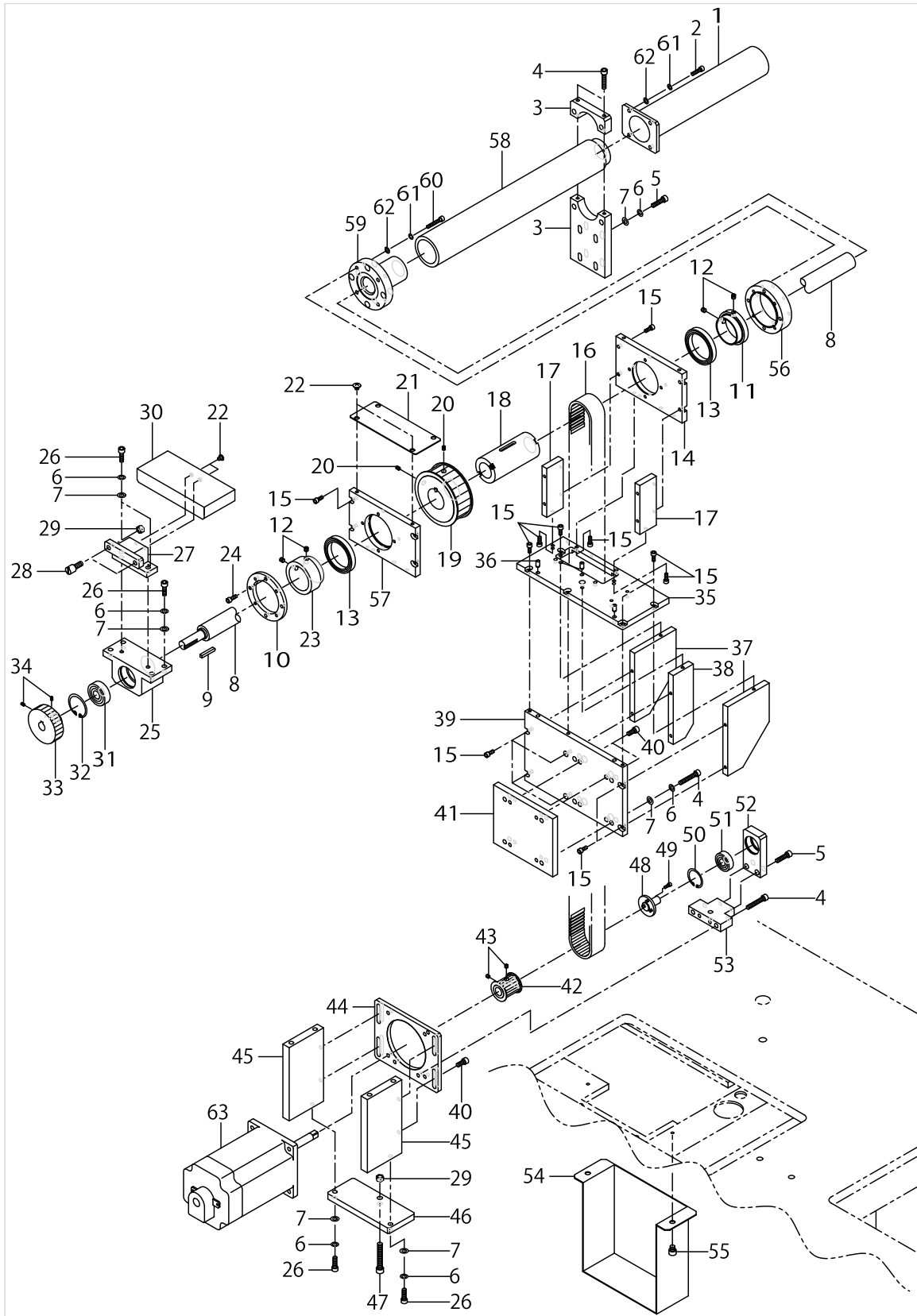
THREAD CLAMP COMPONENTS



THREAD CLAMP COMPONENTS

No.	Parts No.	Parts name	Remarks	Level	Cons	Qty
1	40006761	TC_CLAMP				1
2	WP0450801SP	WASHER				1
3	40076233	TC_CLAMP_PLATE_ASM				1
4	40076238	TC_SUPPORT_PLATE				1
5	40015800	TC_LINK_ASM.				1
6	WP0320500SC	WASHER M3				2
7	RE0200000K0	E-RING				2
8	SD0400266TP	SHOULDER SCREW				1
9	40076237	TC_BASE				1
10	40010590	TC_CAM_PLATE				1
11	40006780	TC_SPRING				1
12	40076236	TC_BASE_COVER				1
13	SM6020350SP	SCREW M2 L=2.5				4
14	SM6030602TP	SCREW M3X0.5 L=6				4
15	40030943	TC_NOTCH_R_H				1
16	40076232	TC_OPEN_SPRING				1
17	40030942	TC_NOTCH_F_H				1
18	SM4020600SP	SCREW M2 L=6				2
19	40012815	TC_JOINT_ASM				1
20	SM2360110TP	SCREW				2
21	SM6040650TP	SCREW				3
22	40010527	TC_DRIVING_ARM_ASM.				1
23	40010528	TC_DRIVING_ARM		*		1
24	40011152	TC_ARM_SCREW		*		2
25	SD0800407TP	SHOULDER SCREW				1
26	40072108	TC CONNECTING LINK				1
27	SD0350156TP	SHOULDER SCREW				1
28	40072225	CONNECTING_LINK_SUPPORT				2
29	SM6041202TP	SCREW M4X0.7 L=12				3
30	40075079	STEPPING MOTOR				1
31	SM6041202TP	SCREW M4X0.7 L=12				4
32	SM6040602TP	SCREW M4 L=6				1
33	40073674	TH SENSOR ASM				1
34	40072109	TC SENSOR INSTALLING PLATE		*		1
35	HD00204000A	SENSOR		*		1
36	HD00204000B	SENSOR		*		1
37	SM6020450TP	SCREW				2
38	40072110	THREAD HOLD MOTOR INSTALLING PLATE				1
39	GBR0118500A	WASHER				1
40	40076239	TC_OPEN_PLATE				1
41	SD0350156TP	SHOULDER SCREW				1
42	NM6030003SC	NUT M3				1

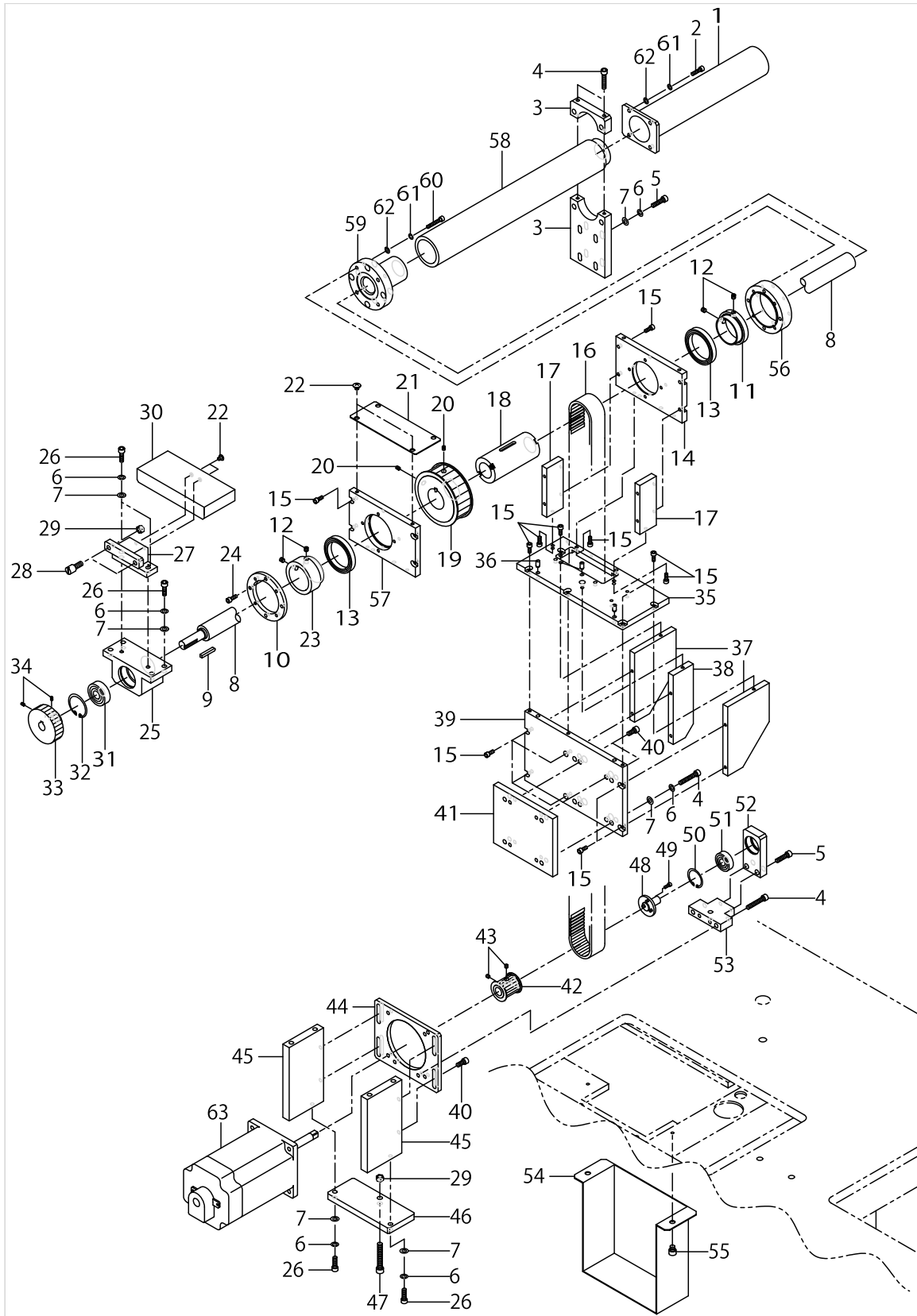
X-Y COMPONENTS (1)



X-Y COMPONENTS (1)

No.	Parts No.	Parts name	Remarks	Level	Cons	Qty
1	-	-				1
2	-	SCREW M4X16				4
3	-	-				1
4	-	SCREW M5X30				8
5	-	SCREW M5X20				4
6	-	SW				16
7	-	W				16
8	40123775	SPLINE SHAFT				1
9	40123904	BLOCK				1
10	-	-				1
11	-	-				1
12	-	SCREW M5X5				4
13	40123905	BEARING				2
14	-	-				1
15	-	SCREW M4X10				24
16	40123774	TIMING_BELT				1
17	-	-				2
18	40123773	BUSH				1
19	40123776	X DRIVE TIMING PULLEY				1
20	-	SCREW M4X5				2
21	-	-				1
22	-	SCREW M4X5				6
23	-	-				1
24	-	SCREW M4X12				4
25	-	-				1
26	-	SCREW M5X16				8
27	-	-				1
28	-	-				2
29	-	NUT M6				2
30	-	-				1
31	40123903	BEARING				1
32	40123772	RETAINING RING				1
33	40123771	CP PINION				1
34	-	SCREW M3X5				2
35	-	-				1
36	-	-				19
37	-	-				2
38	-	-				1
39	-	-				1
40	-	SCREW M5X12				8
41	-	-				1
42	40123778	XY MOTOR TIMING PULLEY				1
43	-	SCREW M5X4				2
44	-	-				1
45	-	-				2
46	-	-				1
47	-	SCREW M6X40				1

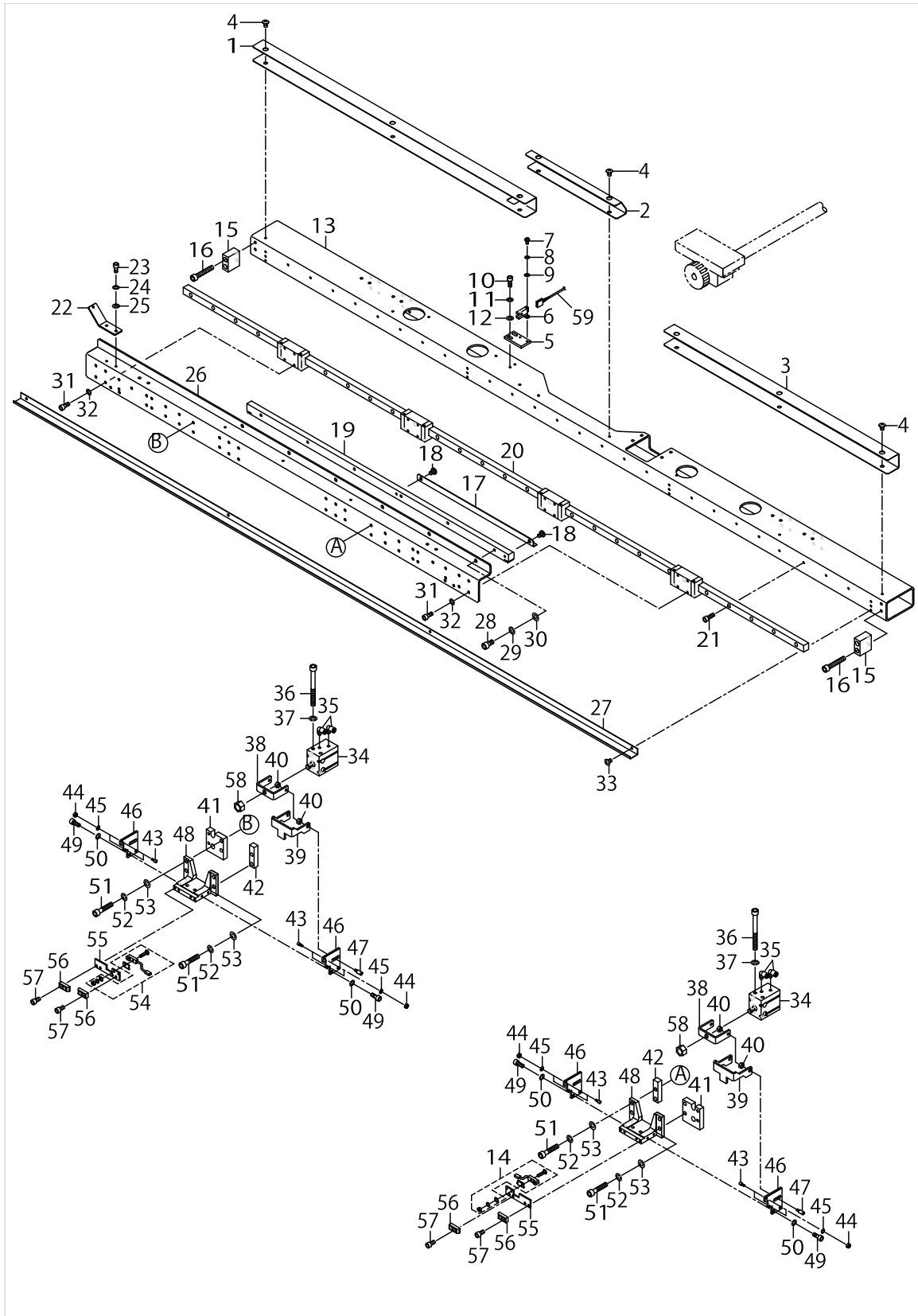
X-Y COMPONENTS (1)



X-Y COMPONENTS (1)

No.	Parts No.	Parts name	Remarks	Level	Cons	Qty
48	40123777	SHAFT				1
49	-	SCREW M3X8				3
50	-	-				1
51	40123826	BEARING				1
52	-	-				1
53	-	-				1
54	-	-				1
55	-	SCREW M6X6				2
56	-	-				1
57	-	-				1
58	-	-				1
59	-	-				1
60	-	SCREW M4X25				4
61	-	SW				8
62	-	W				8
63	40104419	ENCODER MOTOR ASM.(X-Y)				1

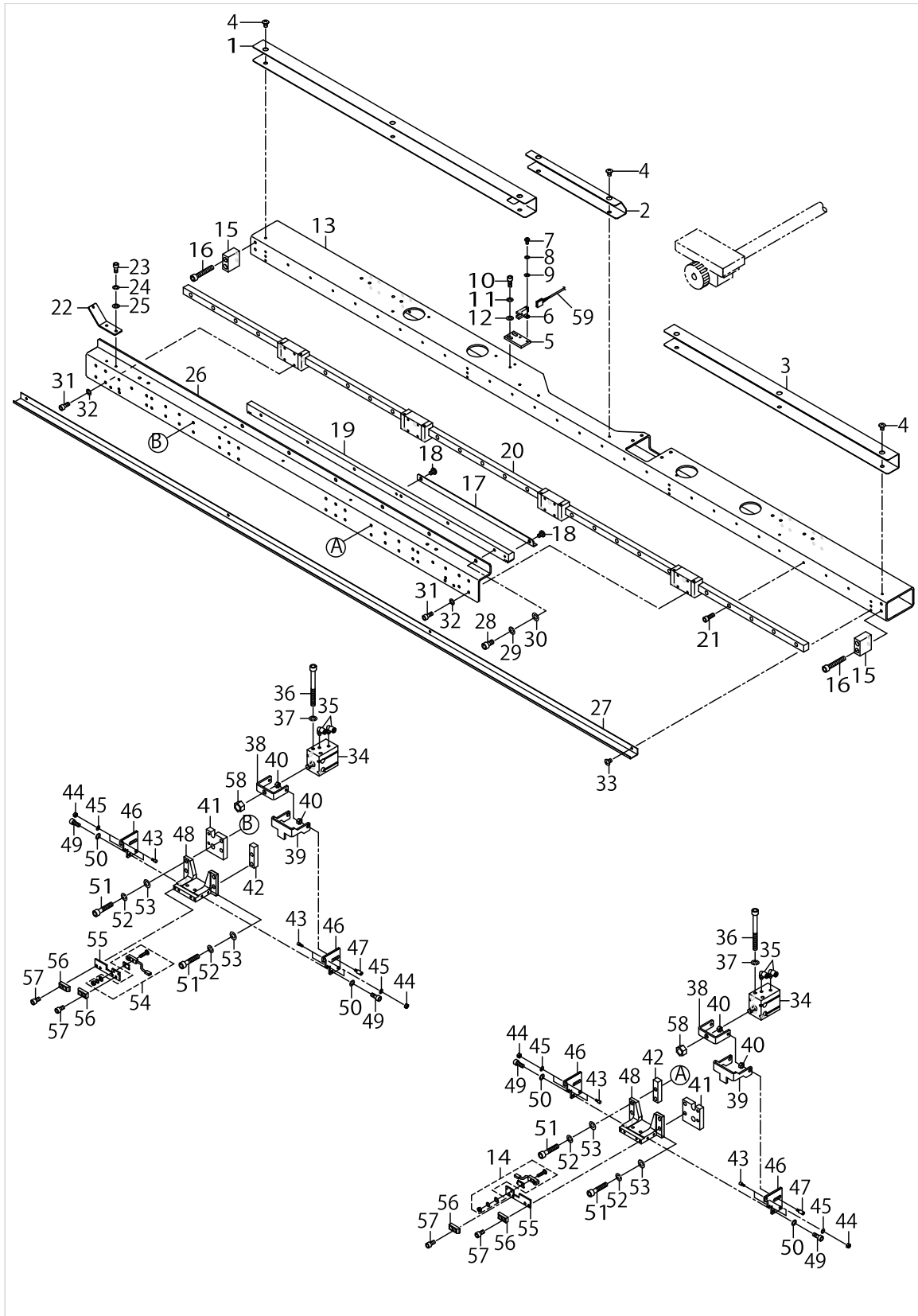
X-Y COMPONENTS (2)



X-Y COMPONENTS (2)

No.	Parts No.	Parts name	Remarks	Level	Cons	Qty
1	-	-				1
2	-	-				1
3	-	-				1
4	-	SCREW M4X6				8
5	-	-				1
6	-	-				1
7	-	SCREW M3X6				2
8	-	SW				2
9	-	W				2
10	-	SCREW M4X10				2
11	-	SW				2
12	-	W				2
13	-	-				1
14	-	-				1
15	-	-				2
16	-	SCREW M5X30				4
17	-	-				1
18	-	-				2
19	40123768	CP RACK				1
20	40123769	LM GUIDE				1
21	-	SCREW M4X12				28
22	-	-				1
23	-	SCREW M4X8				2
24	-	SW				2
25	-	W				2
26	40123900	X FEED BASE				1
27	-	-				1
28	-	SCREW M5X10				6
29	-	SW				6
30	-	W				6
31	-	SCREW M4X10				16
32	-	SW				16
33	-	SCREW M4X6				4
34	40123901	AIR CYLINDER				2
35	-	-				4
36	-	SCREW M5X55				4
37	-	SW				4
38	40123763	CYLINDER_PLATE				2
39	40123764	GUIDE_PLATE				2
40	-	NUT M4				4
41	-	-				2
42	-	-				4
43	40123907	PIN				8
44	-	NUT M3				8
45	-	SW				8
46	40123906	PIN PLATE				4
47	40123765	CLUTCH STOPPER JIG				4

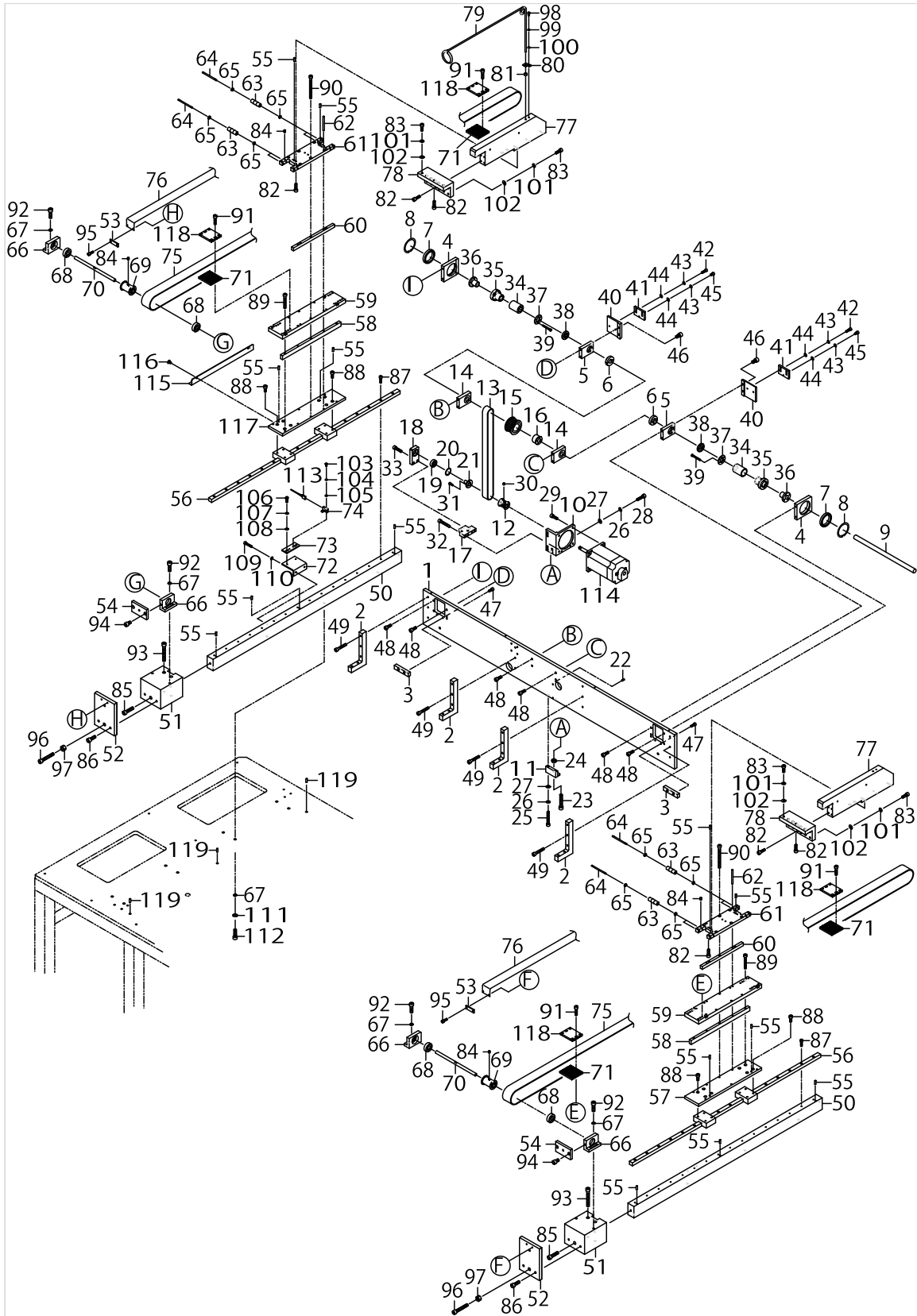
X-Y COMPONENTS (2)



X-Y COMPONENTS (2)

No.	Parts No.	Parts name	Remarks	Level	Cons	Qty
48	-	-				2
49	-	SCREW M4X10				4
50	-	SW				4
51	-	SCREW M5X25				8
52	-	SW				8
53	-	W				8
54	-	-				1
55	40123767	POSITIONING PLATE				2
56	40123766	POSITIONING BLOCK3				4
57	-	SCREW M4X8				8
58	-	NUT M8				2
59	-	-				1

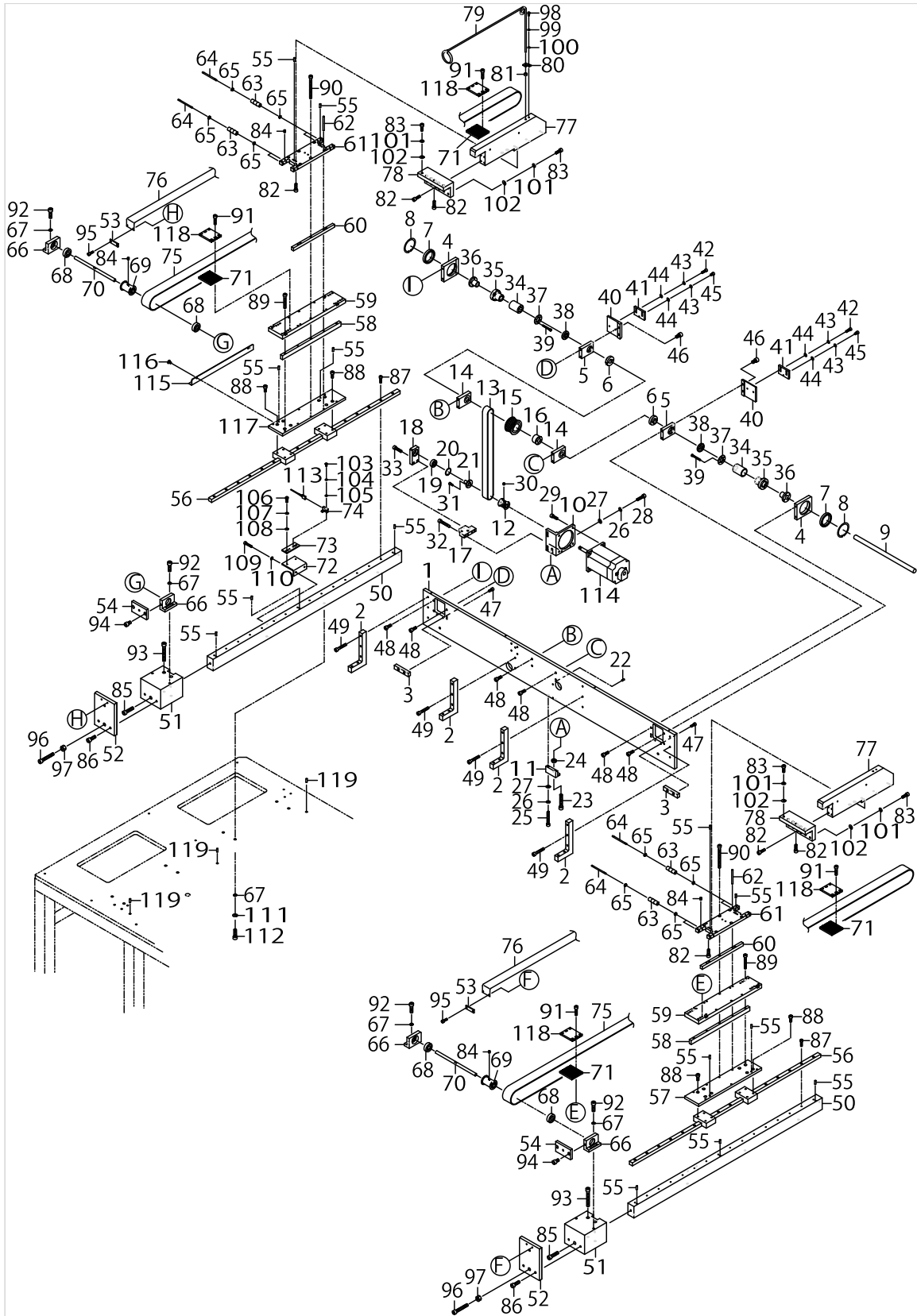
X-Y COMPONENTS (3)



X-Y COMPONENTS (3)

No.	Parts No.	Parts name	Remarks	Level	Cons	Qty
1	-	-				1
2	-	-				4
3	40123817	Y STOPPER1				2
4	-	-				2
5	-	-				2
6	40123814	COLLAR				2
7	40123816	BEARING				2
8	-	-				2
9	40123815	SHAFT				1
10	-	-				1
11	-	-				1
12	40123778	XY MOTOR TIMING PULLEY				1
13	40123823	TIMING BELT				1
14	-	-				2
15	40123825	Y DRIVE TIMING PULLEY				1
16	40123824	POWER LOCK				1
17	-	-				1
18	-	-				1
19	40123826	BEARING				1
20	-	-				1
21	40123777	SHAFT				1
22	-	-				3
23	-	SCREW M6X35				1
24	-	NUT M6				1
25	-	SCREW M5X35				2
26	-	SW				5
27	-	W				5
28	-	SCREW 5X20				3
29	-	SCREW M5X15				4
30	-	SCREW M4X4				2
31	-	SCREW M3X8				3
32	-	SCREW M5X30				2
33	-	SCREW M5X20				2
34	40123820	Y TIMING PULLEY1				2
35	40123821	TIMING PULLEY BOSS				2
36	40123822	POWER LOCK				2
37	40123818	PULLEY FLANGE				2
38	40123819	SPACER				2
39	-	SCREW M3X25				12
40	-	-				2
41	-	-				2
42	-	SCREW M4X12				4
43	-	SW				6
44	-	W				6
45	-	SCREW M4X6				2
46	-	SCREW M6X10				4
47	-	SCREW M4X10				4

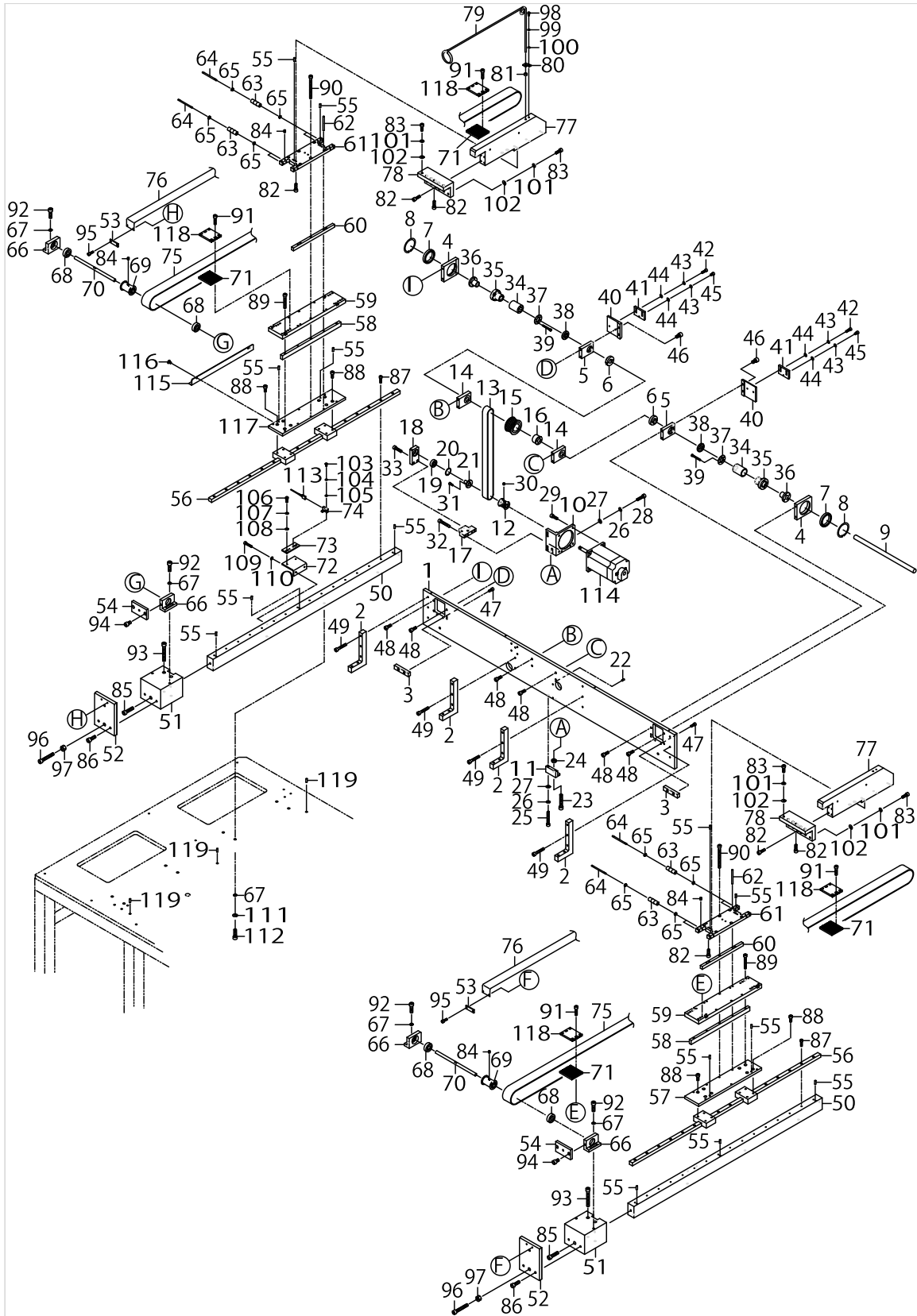
X-Y COMPONENTS (3)



X-Y COMPONENTS (3)

No.	Parts No.	Parts name	Remarks	Level	Cons	Qty
48	-	SCREW M5X12				12
49	-	SCREW M5X30				12
50	-	-				2
51	-	-				2
52	-	-				2
53	-	-				2
54	-	-				2
55	-	-				14
56	40123792	LM GUIDE				2
57	-	-				1
58	-	-				4
59	-	-				2
60	-	-				4
61	40123787	Y FEED BASE				2
62	-	-				4
63	40123785	GUIDE ROLLER				8
64	40123784	SHAFT				8
65	40123786	BEARING				16
66	-	-				4
67	-	-				4
68	40123789	BEARING				4
69	40123790	Y TIMING PULLEY2				2
70	40123791	SHAFT				2
71	-	-				4
72	-	-				1
73	-	-				1
74	-	-				1
75	40123788	TIMING BELT				2
76	40123783	DUSTPROOF_BELT				2
77	40123779	Y SUPPORT ARM				2
78	-	-				2
79	40123780	AIR TUBE SUPPORT				1
80	40123781	AIR TUBE SUPPORT STOPPER				1
81	40123782	COLLAR				1
82	-	SCREW M5X16				24
83	-	SCREW M5X14				24
84	-	SCREW M4X5				20
85	-	SCREW M6X25				4
86	-	SCREW M6X18				4
87	-	SCREW M4X14				32
88	-	SCREW M5X12				16
89	-	SCREW M5X35				8
90	-	SCREW M5X60				4
91	-	SCREW M5X20				24
92	-	SCREW M6X20				4
93	-	SCREW M6X45				4
94	-	SCREW M6X10				4

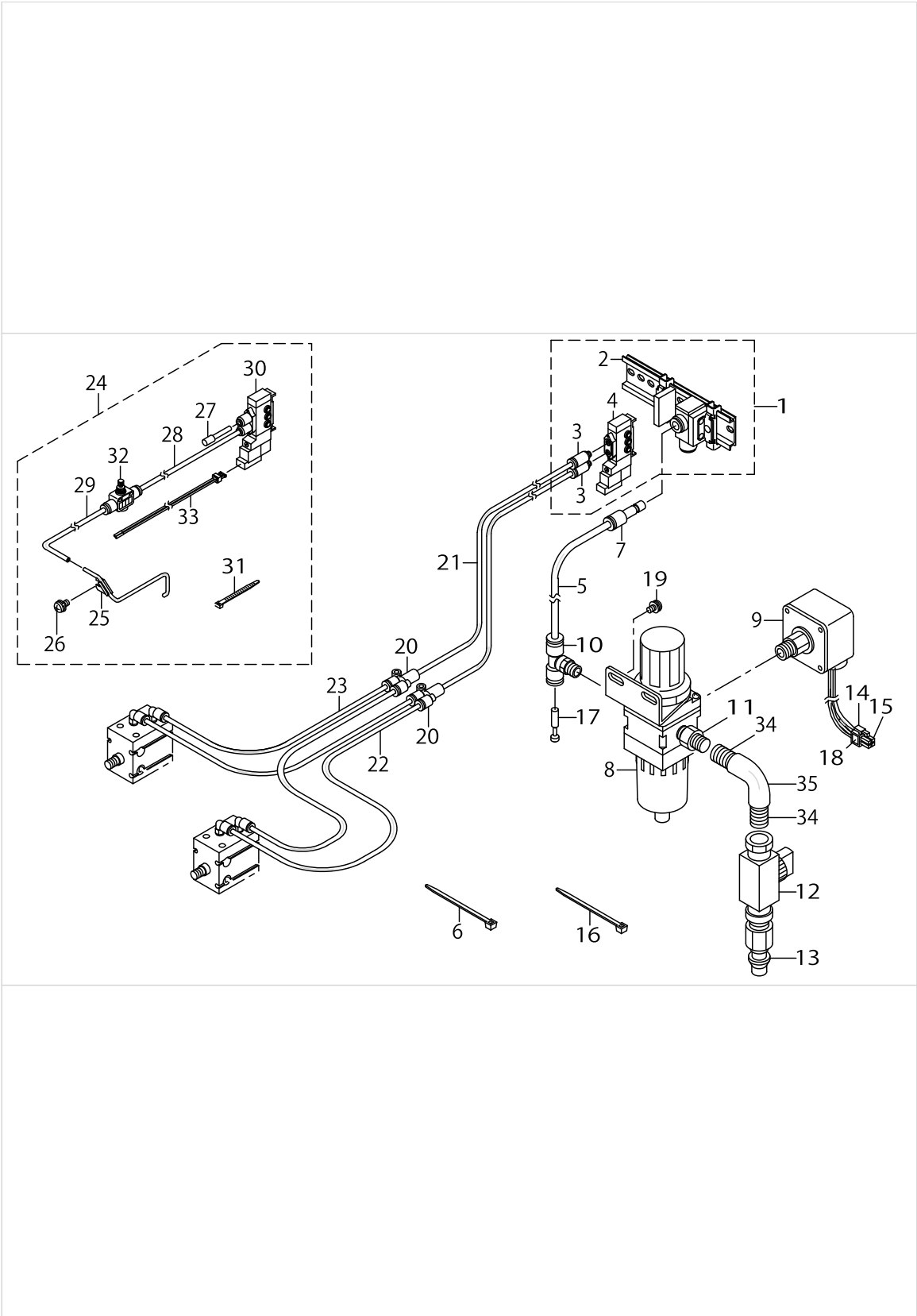
X-Y COMPONENTS (3)



X-Y COMPONENTS (3)

No.	Parts No.	Parts name	Remarks	Level	Cons	Qty
95	-	SCREW M4X12				4
96	-	SCREW M6X40				2
97	-	NUT M6				2
98	-	SCREW M3X6				1
99	-	SW				1
100	-	W				1
101	-	SW				24
102	-	W				24
103	-	SCREW M3X6				2
104	-	SW				2
105	-	W				2
106	-	SCREW M4X10				2
107	-	SW				2
108	-	W				2
109	-	SCREW M4X20				2
110	-	SW				2
111	-	SW				8
112	-	SCREW M6X20				8
113	-	-				1
114	40104419	ENCODER MOTOR ASM.(X-Y)				1
115	-	-				1
116	-	SCREW M4X6				2
117	-	-				1
118	-	-				4
119	-	-				6

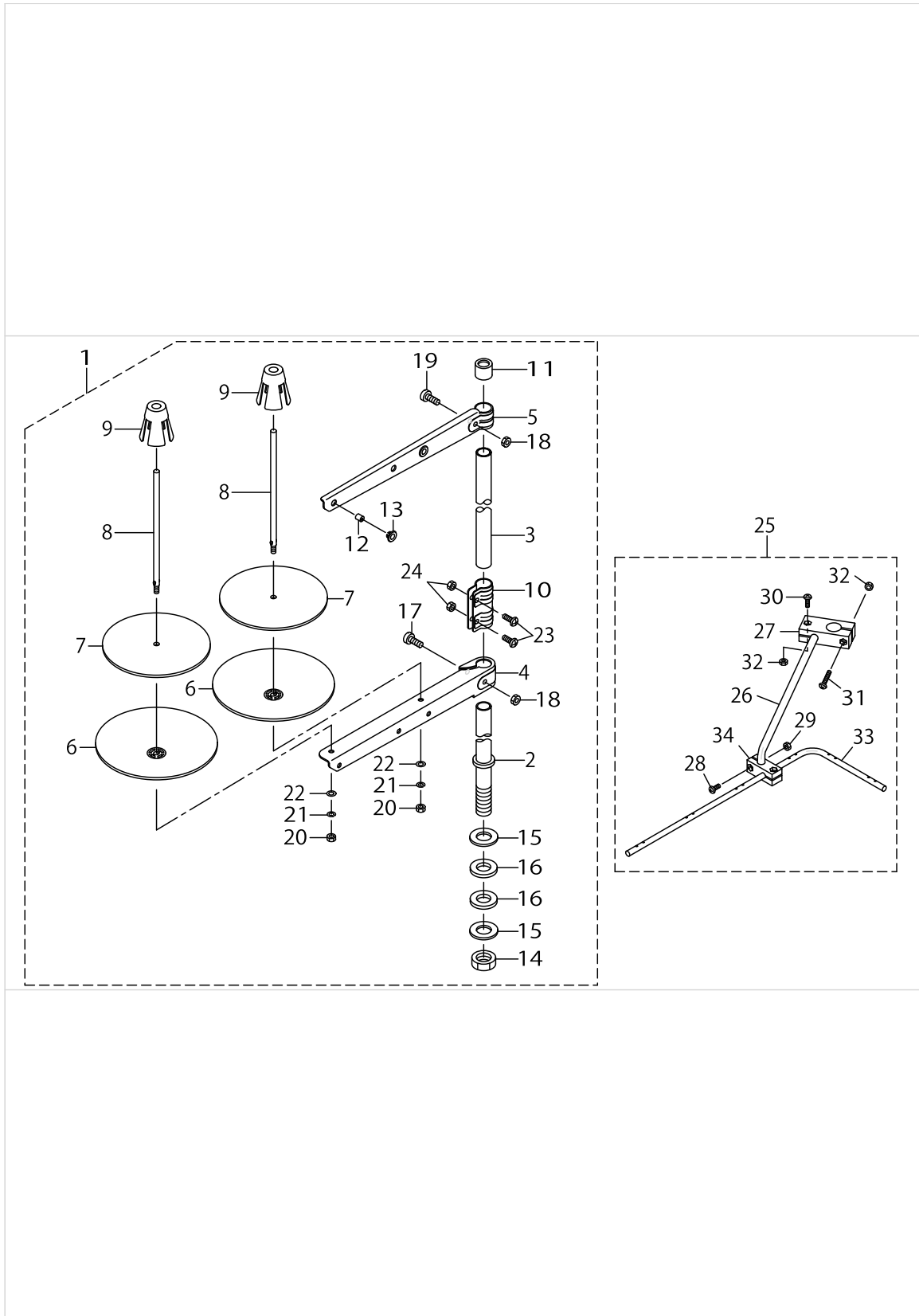
PNEUMATIC COMPONENTS



PNEUMATIC COMPONENTS

No.	Parts No.	Parts name	Remarks	Level	Cons	Qty
1	40072220	SOLENOID_VALVE_ASM				1
2	PV915005000	SOLENOID VALVE INSTALLING BASE		*		1
3	PJ301040505	HALF UNION		*		2
4	PV150209100	SOLENOID VALVE		*		1
5	BT0600401EB	TUBE				1.1
6	EA9500B0100	CABLE BAND				1
7	PJ301060003	REDUCER				1
8	PF0552040B0	FILTER REGULATOR				1
9	G8124270000	AIR PRESSUE SWITCH				1
10	PJ305065202	TEE				1
11	PJ030520001	RING JOINT (NIPPLE)				1
12	G5430116000	AIR COCK				1
13	PJ309005203	QUICK JOINT PLUG				1
14	HK034610040	HOUSING				1
15	HK034640000	PIN CONTACT				3
16	EA9500B0100	CABLE BAND				5
17	PX950009000	PLUG				1
18	E2678453000	CONNECTOR MARKER J78				1
19	SL4051091SC	SCREW M5X0.8 L=10				2
20	40123810	UNION Y				2
21	BT0400251EB	URETHANE HOSE, BLACK				1
22	BT0400251EB	URETHANE HOSE, BLACK				1
23	BT0400251EB	URETHANE HOSE, BLACK				1
24	40035692	NEEDLE COOLER ASM.				1
25	40035694	NEEDLE COOLER COMPL.		*		1
26	SL4051091SC	SCREW M5X0.8 L=10		*		1
27	PX500014000	PLUG		*		1
28	BT0400251EB	URETHANE HOSE, BLACK		*		0.7
29	BT0400251EB	URETHANE HOSE, BLACK		*		0.3
30	PV150209000	5 PORT SOLENOID VALVE		*		1
31	HX002330000	CLIP		*		3
32	PC012401000	SPEED CONTROLLER		*		1
33	40035324	SOLENOID VALVE CONNECTER ASM		*		1
34	40123811	NIPPLE				2
35	40123812	ELBOW UNION				1

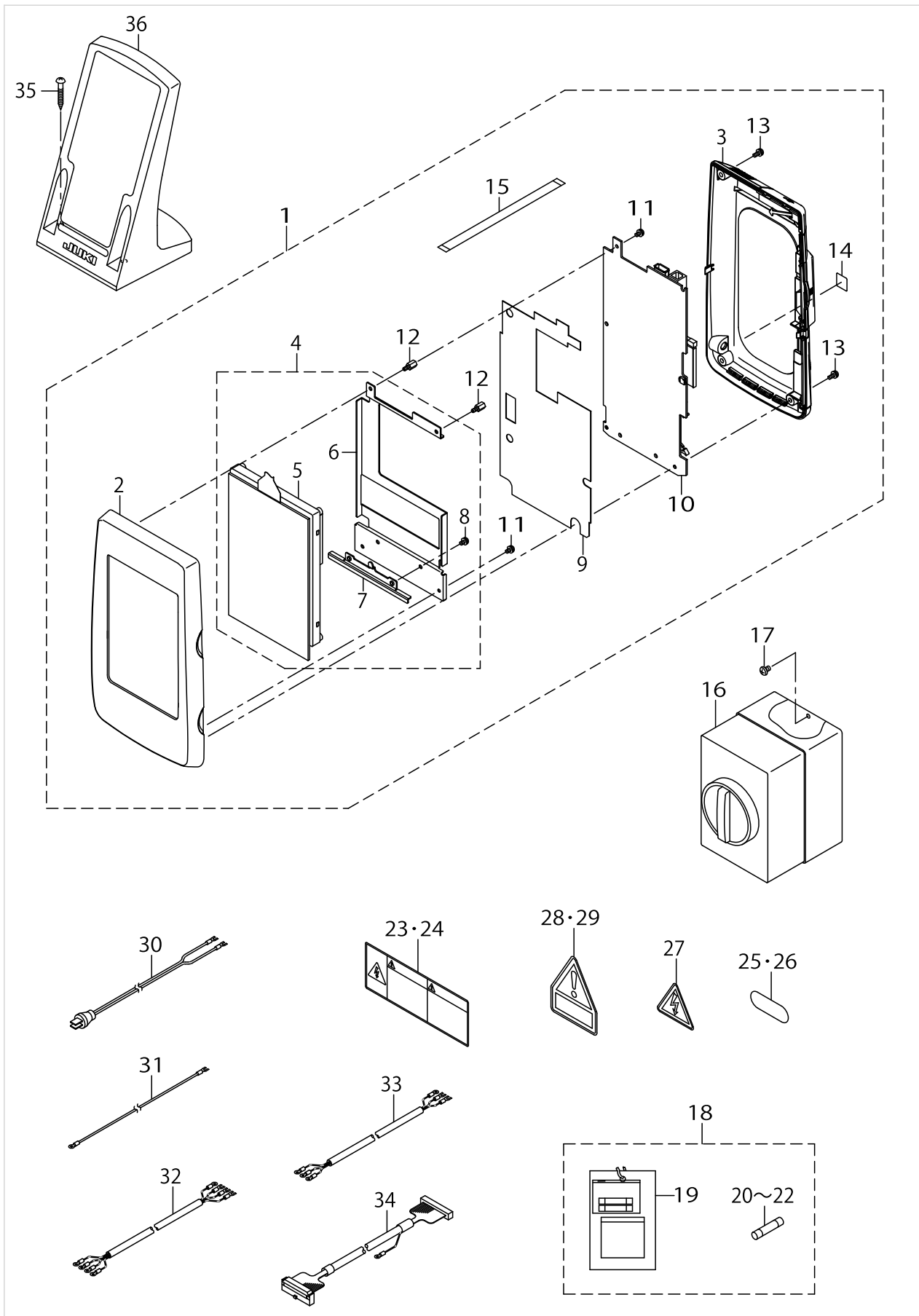
THREAD STAND COMPONENTS(ACCESSORIE PARTS)



THREAD STAND COMPONENTS(ACCESSORIE PARTS)

No.	Parts No.	Parts name	Remarks	Level	Cons	Qty
1	40096354	THREAD STAND ASM.				1
2	40085784	SPOOL REST ROD LOWER		*		1
3	40085785	SPOOL REST ROD UPPER		*		1
4	40085786	SPOOL REST ARM LOWER		*		1
5	40085787	SPOOL REST ARM UPPER		*		1
6	40085788	SPOOL REST		*		2
7	40085789	SPOOL REST CUSHION		*		2
8	40085790	SPOOL PIN		*		2
9	40085791	SPOOL RETAINER		*		2
10	40085792	SPOOL REST ROD JOINT		*		1
11	40085793	SPOOL REST ROD RUBBER CAP		*		1
12	40085794	THREAD GUIDE		*		2
13	40085795	THREAD GUIDE BUSHING		*		2
14	40096325	SPOOL REST ROD NUT		*		1
15	WP1612616SE	WASHER 16X30X2.6		*		2
16	40085796	SPOOL REST ROD RUBBER CUSHION		*		2
17	40096326	SPOOL REST ARM LOWER SCREW		*		1
18	NM6050001SE	NUT M5		*		2
19	40096327	SPOOL REST ARM UPPER SCREW		*		1
20	NM6050001SE	NUT M5		*		2
21	WS0510002KN	SPRING WASHER M5		*		2
22	WP0531001SC	WASHER M5		*		2
23	SM4051405SE	SCREW M5 L=14		*		2
24	NM6050001SE	NUT M5		*		2
25	26910059	THREAD GUIDE ARM ASM.				1
26	13168109	THREAD GUIDE ARM BASE		*		1
27	13168208	THREAD GUIDE ARM BASE		*		1
28	SM4041001SC	SCREW M4X0.7 L=10		*		2
29	NM6040002SE	NUT M4X0.7		*		2
30	SM4041201SC	SCREW M4 L=12		*		1
31	SM4042001SC	SCREW M4 X 20		*		1
32	NM6040002SE	NUT M4X0.7		*		2
33	13167903	THREAD STANDING THREAD GUIDE		*		1
34	13168000	THREAD GUIDE BASE, LOWER		*		1

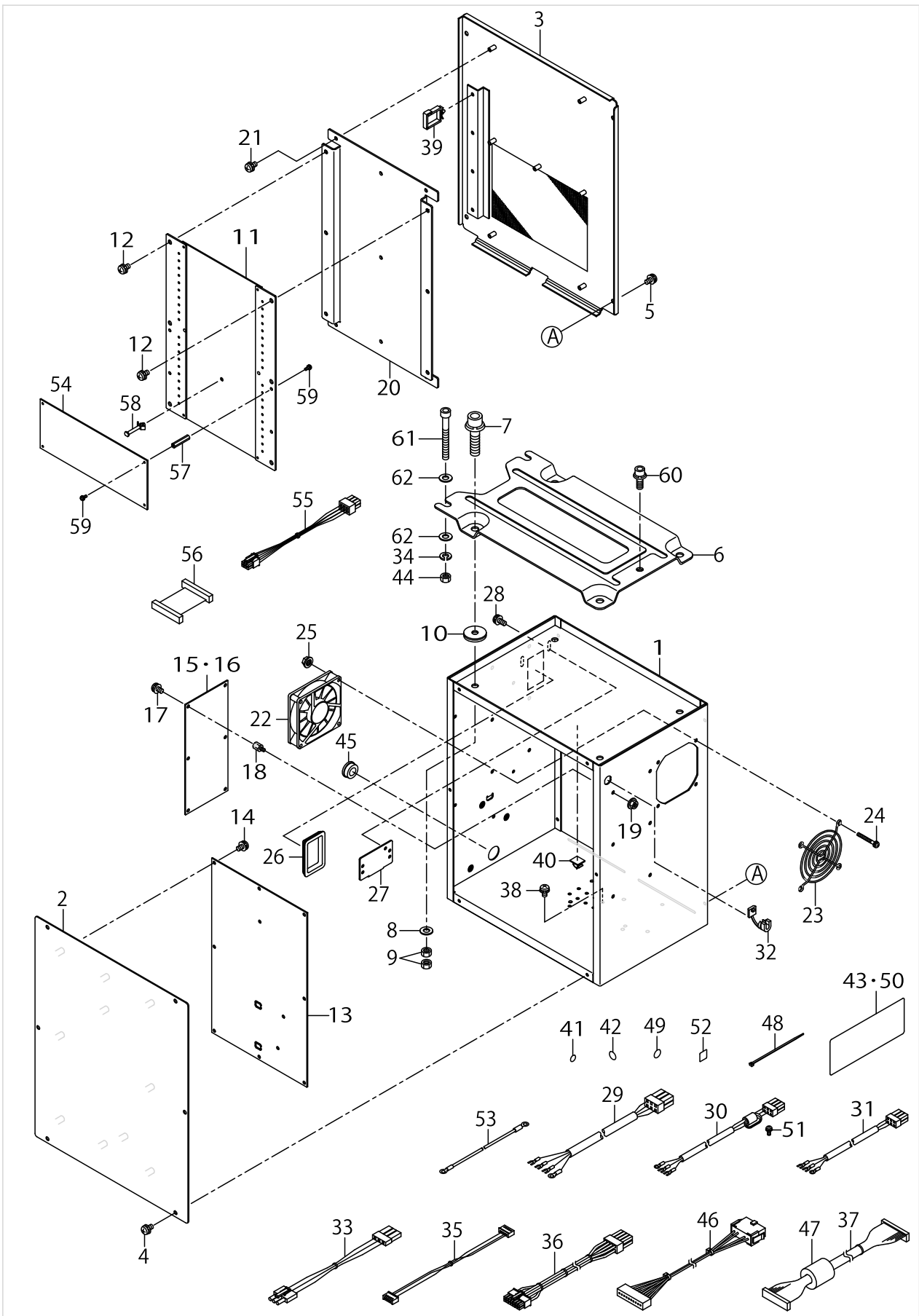
OPERATION PANEL COMPONENTS



OPERATION PANEL COMPONENTS

No.	Parts No.	Parts name	Remarks	Level	Cons	Qty
1	40086485	IP-420F PANEL ASSY				1
2	40078163	FRONT_CASE		*		1
3	40080799	REAR_CASE_ASSY		*		1
4	40080800	LCD_ASSY		*		1
5	40086541	LCD TOUCH PANEL ASSY	TECHNICAL INFOMATION (A16-029)	*		1
6	40083668	LCD_BRACKET	TECHNICAL INFOMATION (A16-029)	*		1
7	40083666	LCD_STAY		*		1
8	SL4030681SC	SCREW M3 L=6		*		2
9	40078168	INSULATION_SHEET		*		1
10	40083960	PANEL PCB ASSY		*		1
11	SL4030681SC	SCREW M3 L=6		*		3
12	HX00354000B	PCB SUPPORT L=8MM		*		2
13	SL4030881SC	SCREW M3X8		*		4
14	CM600100101	WEEE MARK LABEL S		*		1
15	HW002180200	FLAT CABLE		*		1
16	HA005820000	SWITCH				1
17	SL4041091SE	SCREW M4 L=10				2
18	40074051	OPTION A ASSY				1
19	M300451100A	VOLTAGE INDICATION CARD,A		*		1
20	HF00130315S	FUSE 3.15A 250V REF. NO.112		*		1
21	HF003000200	FUSE 2A (220/240V)		*		1
22	HF0013050P0	FUSE 5A		*		1
23	CM300100401	LABEL 3 (LARGE)	FOR USE IN JAPAN(1-PHASE)			1
24	CM300100401	LABEL 3 (LARGE)	FOR USE IN JAPAN,JA			1
25	BME01100000	VOLTAGE INDICATION SEAL	FOR USE IN JAPAN(1-PHASE)			1
26	BME03200000	VOLTAGE INDICATION SEAL	FOR USE IN JAPAN,JA			1
27	CM300100003	VOLTAGE WARNING LABEL(25)	FOR JE,GENERAL EXPORT			1
28	CM300400701	VOLTAGE CAUTION LABEL	FOR USE IN JAPAN,JA			1
29	CM300400601	VOLTAGE CAUTION LABEL	FOR JE,GENERAL EXPORT			1
30	40086468	POWER CABLE 1P PLUG ASSY	FOR USE IN JAPAN(1-PHASE)			1
31	M90345800A0	GROUND CORD ASM.	FOR USE IN JAPAN(1-PHASE)			1
32	40096034	POWER CABLE 3P ASSY	FOR USE IN JAPAN,JA			1
33	40096035	POWER CABLE 1P ASSY	FOR JE,GENERAL EXPORT			1
34	40096051	PANEL CABLE L ASM				1
35	SK3413201SE	WOOD SCREW D=4.1 L=32				2
36	40035024	OPERATION_BOX_FIXED_PLATE(B)ASM				1

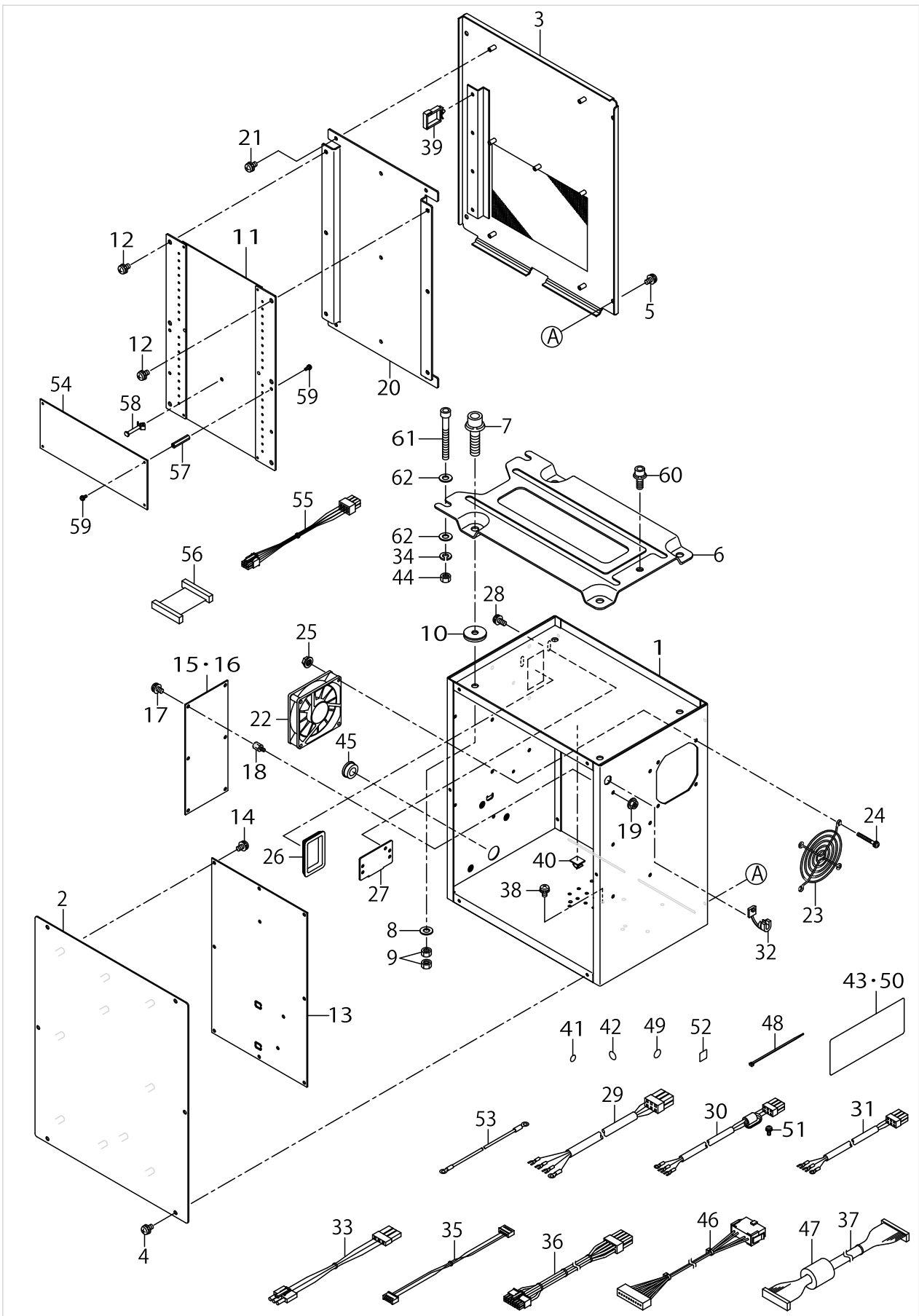
CONTROL BOX COMPONENTS



CONTROL BOX COMPONENTS

No.	Parts No.	Parts name	Remarks	Level	Cons	Qty
1	40055355	CONTROL BOX				1
2	40055356	CONTROL BOX FRONT COVER				1
3	40055357	CONTROL BOX REAR COVER				1
4	SL4040891SC	SCREW M4 L=8				6
5	SL4040891SC	SCREW M4 L=8				4
6	M3801476000	CONTROL BOX FITTING PLATE				1
7	SL6083092TN	SCREW				4
8	WP0841601SC	WASHER 8.4X17.4X1.6				4
9	NM6080001SC	NUT M8X1.25				8
10	M4206461000	WASHER				4
11	40108274	MAIN PCB C ASSY				1
12	SL4040891SC	SCREW M4 L=8				6
13	40082758	SDC PCB A ASSY				1
14	SL4040881SC	SCREW M4 L=8				10
15	40000056	FLT-T PCB A ASS'Y	FOR USE IN JAPAN (1-PHASE 10-0V,1-PHASE 200V), JUS(3-PHASE 200V)			1
16	40000046	FLT-S PCB A ASS'Y	FOR CE,GENERAL EXPORT			1
17	SL4040881SC	SCREW M4 L=8				6
18	HX003390000	STUD				6
19	NM3040520SC	NUT M4				6
20	40005706	MAIN PCB HOLDER PLATE				1
21	SL4040881SC	SCREW M4 L=8				5
22	40005401	FAN MOTOR ASS'Y				1
23	KM000000480	FAN MOTOR				1
24	SL4043591SC	SCREW				4
25	NM3040520SC	NUT M4				4
26	HX004070000	BUSH				1
27	17845009	CORD FITTING PLATE				1
28	SL4041091SC	SCREW M4 L=10				2
29	40096030	POWER CORD 3P ASSY	FOR USE IN JAPAN (1-PHASE 10-0V,1-PHASE 200V), JUS(3-PHASE 200V)			1
30	40096031	POWER CORD JE ASSY	FOR CE			1
31	40096032	POWER CORD 1P ASSY	GENERAL EXPORT			1
32	HX00410000A	STRAIN RELIEF BUSHING				1
33	40005393	FLT-SDC CORD P ASS'Y				1
34	WS0820002KN	SPRING WASHER M8				2
35	40005394	FLT-SDC CORD S ASS'Y				1
36	40005726	SDC-MAIN CORD P ASSY				1
37	40005727	SDC-MAIN CORD S ASSY				1
38	SL4040891SC	SCREW M4 L=8				4
39	HX005110000	WIRE SADDLE				3
40	E9607603000	STICKER (SMALL)				1
41	E9567319000	EARTH MARK				1
42	40003458	MASK SEAL				16
43	40051640	ELECTRICAL_RATING_LABEL_UNIVERSAL	FOR USE IN JAPAN (1-PHASE 10-0V,1-PHASE 200V), JUS(3-PHASE 200V), GENERAL EXPORT			1
44	NM6080001SC	NUT M8X1.25				2
45	HX00326000K	GROMMET				1

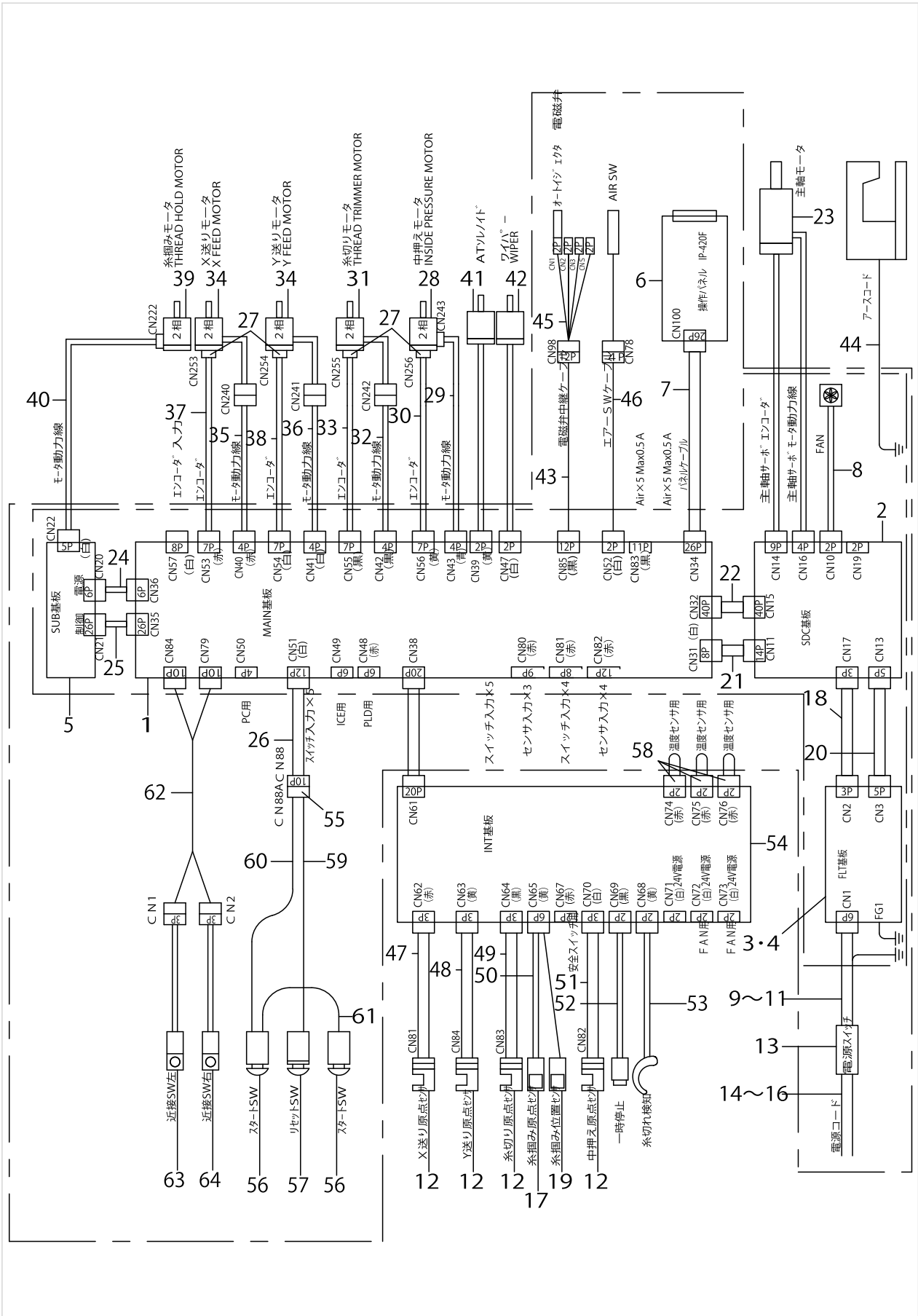
CONTROL BOX COMPONENTS



CONTROL BOX COMPONENTS

No.	Parts No.	Parts name	Remarks	Level	Cons	Qty
46	40073659	SW RELAY CORD ASM.				1
47	HN001490000	CLAMP FILTER(L)				1
48	EA9500B0100	CABLE BAND				1
49	CM200100001	PE MARK LABEL	FOR CE			1
50	40057278	ELECTRICAL_RATING_LABEL_CE_UNIVERSAL	FOR CE			1
51	SL4041081SC	SCREW M4 L=10	FOR CE			1
52	CM600100101	WEEE MARK LABEL S	FOR CE			1
53	M90295800A0	FDD EARTH CORD ASM.				1
54	40073651	SUB PCB ASSY				1
55	40062367	SUB-MAIN CORD P ASSY				1
56	40062368	SUB-MAIN CORD S ASSY				1
57	HX00418000E	SPACER				4
58	HX00147000J	SPACER				1
59	SL4030881SC	SCREW M3X8				8
60	SL6082092TN	BOLT				1
61	SM6087002TN	SCREW M8 L=70				2
62	WP0841601SC	WASHER 8.4X17.4X1.6				4

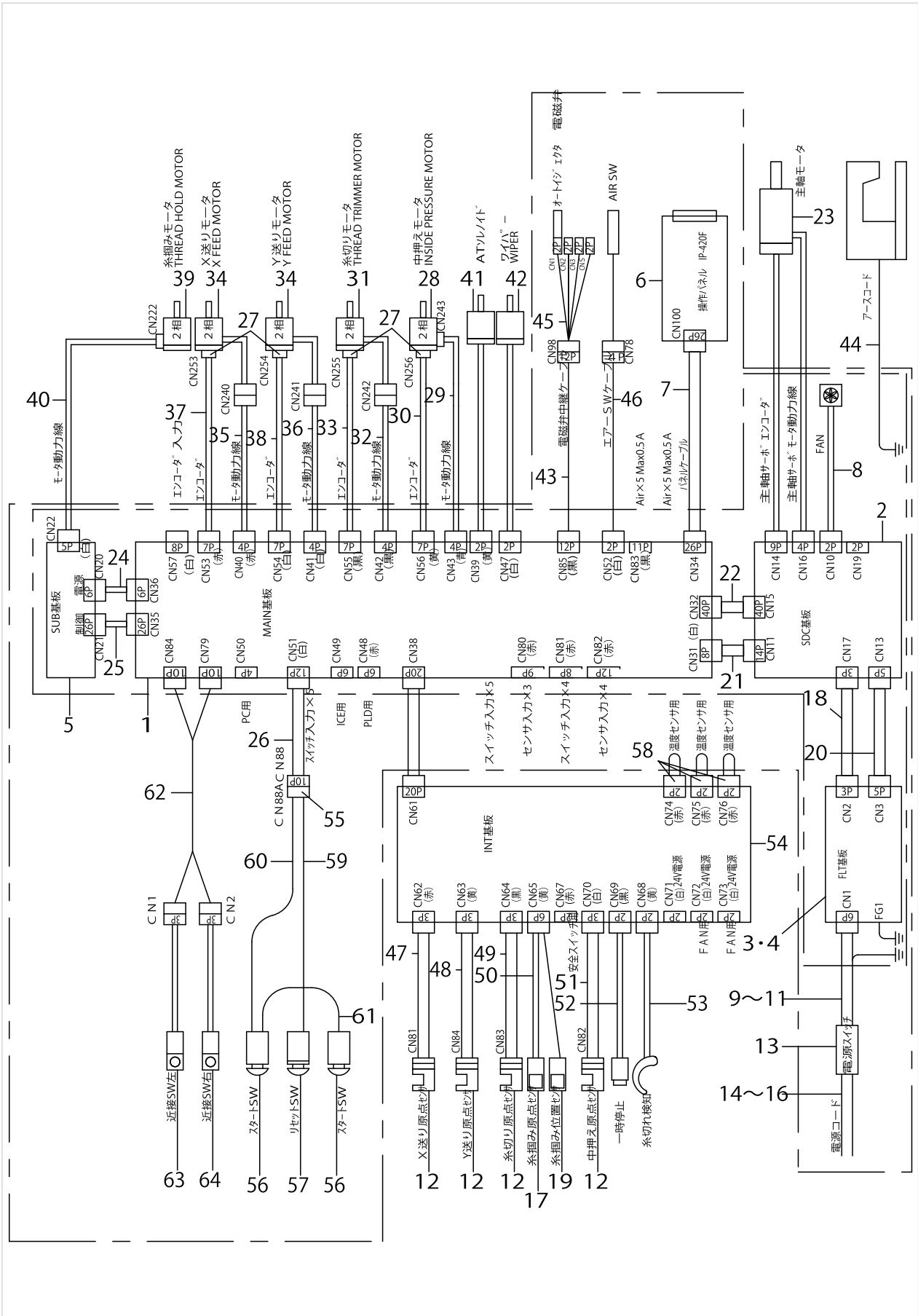
WIRING DIAGRAM



WIRING DIAGRAM

No.	Parts No.	Parts name	Remarks	Level	Cons	Qty
1	40108274	MAIN PCB C ASSY				1
2	40082758	SDC PCB A ASSY				1
3	40000056	FLT-T PCB A ASS'Y	FOR 1-PHASE/3-PHASE			1
4	40000046	FLT-S PCB A ASS'Y	FOR CE,GENERAL EXPORT			1
5	40073651	SUB PCB ASSY				1
6	40086485	IP-420F PANEL ASSY				1
7	40096051	PANEL CABLE L ASM				1
8	40005401	FAN MOTOR ASS'Y				1
9	40096030	POWER CORD 3P ASSY	FOR 1-PHASE/3-PHASE			1
10	40096031	POWER CORD JE ASSY	FOR CE			1
11	40096032	POWER CORD 1P ASSY	GENERAL EXPORT			1
12	HD00057000A	PHOTO SENSOR				3
13	HA005820000	SWITCH				1
14	40086468	POWER CABLE 1P PLUG ASSY	FOR USE IN JAPAN (1-PHASE 100V)			1
15	40096034	POWER CABLE 3P ASSY	FOR 3-PHASE			1
16	40096035	POWER CABLE 1P ASSY	FOR CE,GENERAL EXPORT			1
17	HD00204000A	SENSOR				1
18	40005393	FLT-SDC CORD P ASS'Y				1
19	HD00204000B	SENSOR				1
20	40005394	FLT-SDC CORD S ASS'Y				1
21	40005726	SDC-MAIN CORD P ASSY				1
22	40005727	SDC-MAIN CORD S ASSY				1
23	40052937	550W_SERVO_MOTOR				1
24	40062367	SUB-MAIN CORD P ASSY				1
25	40062368	SUB-MAIN CORD S ASSY				1
26	40073659	SW RELAY CORD ASM				1
27	HD002780000	SENSOR				4
28	40071942	STEPPING MOTOR				1
29	40073623	IP MOTOR CABLE ASM				1
30	40073640	IP ENCODER CABLE ASM				1
31	40071944	STEPPING MOTOR				1
32	40073622	TT MOTOR CABLE ASM				1
33	40073639	TT ENCODER CABLE ASM				1
34	40071945	STEPPING MOTOR				2
35	40073620	X MOTOR CABLE ASM				1
36	40073621	Y MOTOR CABLE ASM				1
37	40073632	X ENCODER CABLE ASM				1
38	40073638	Y ENCODER CABLE ASM				1
39	40075079	STEPPING MOTOR				1
40	40073626	TH MOTOR CABLE ASM				1
41	40073660	AT SOLENOID				1
42	40072151	WIPER ASM				1
43	40108280	AIR RELAY CABLE ASM				1
44	14115554	HEAD GROUND CABLE A ASM.				1
45	40048529	VALVE RERAY CORD ASM				1
46	40075391	AIR SW CABLE ASM				1

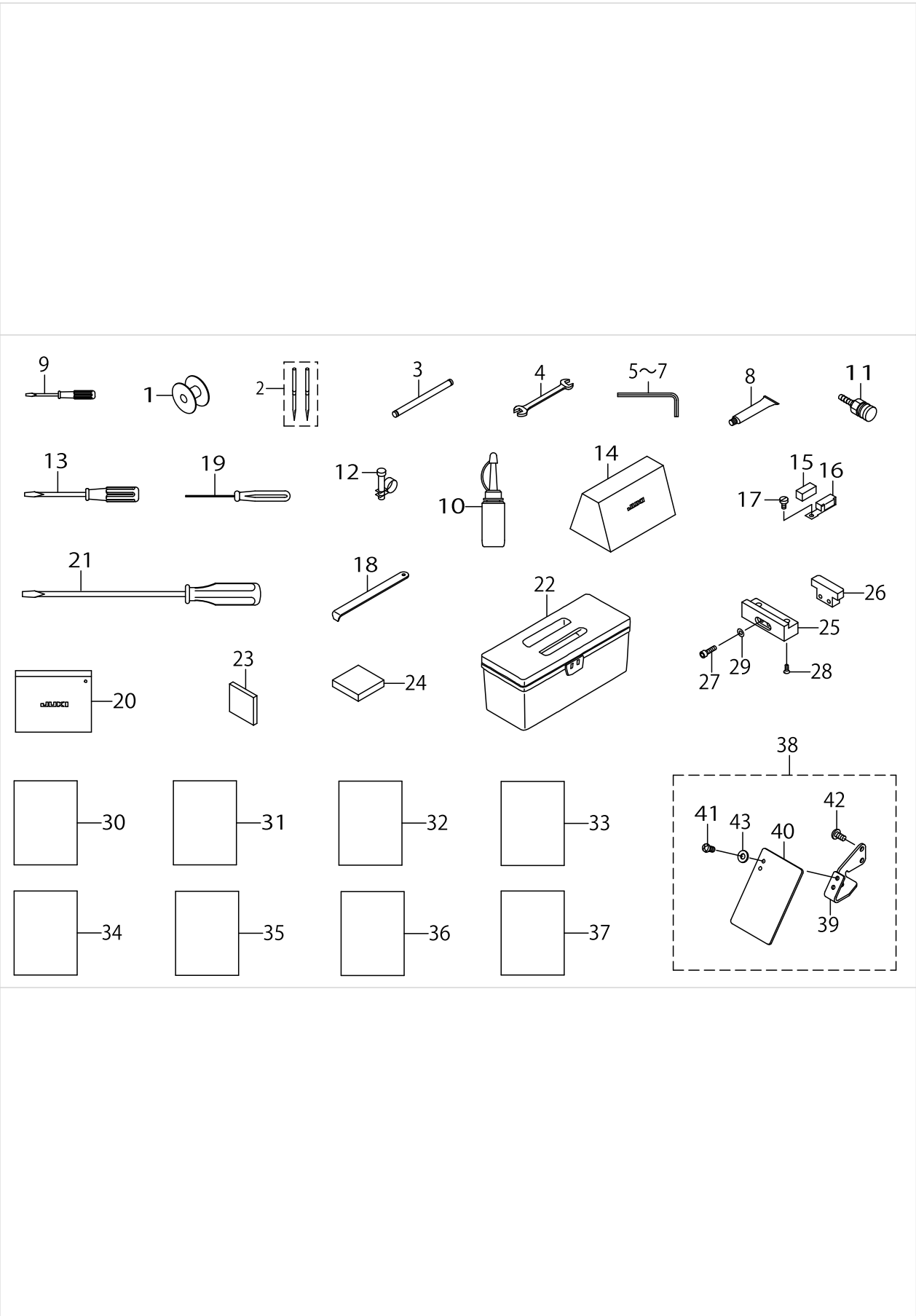
WIRING DIAGRAM



WIRING DIAGRAM

No.	Parts No.	Parts name	Remarks	Level	Cons	Qty
47	40073671	X SENSOR CABLE ASM				1
48	40073672	Y SENSOR CABLE ASM				1
49	40040238	PF_SENSOR_CABLE_ASM				1
50	40073674	TH SENSOR ASM				1
51	40073675	IP_SENSOR_CABLE_ASM.				1
52	40073676	STOP SW ASM				1
53	40073678	THB SENSOR CABLE ASM				1
54	40040230	INT PCB ASM				1
55	HK034610100	10P CONNECTOR				1
56	40123809	SWITCH				2
57	40123808	SWITCH				1
58	40040237	SHORT CONNECTOR				3
59	-	-				1
60	-	-				1
61	-	-				1
62	-	-				1
63	-	-				1
64	-	-				1

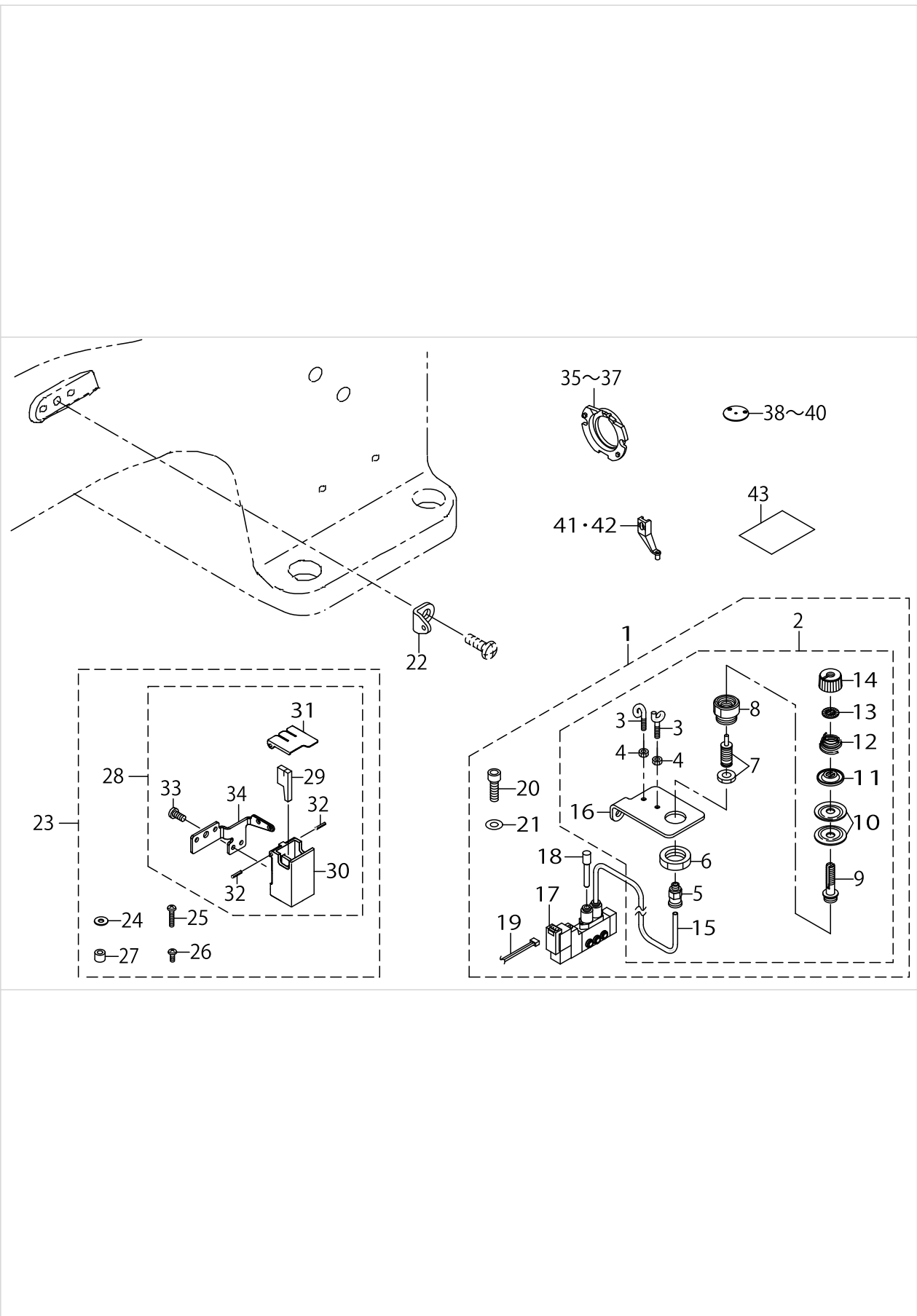
ACCESSORIE PARTS COMPONENTS



ACCESSORIE PARTS COMPONENTS

No.	Parts No.	Parts name	Remarks	Level	Cons	Qty
1	B1806210D00	BOBBIN				1
2	MDP17BB2402	NEEDLE DPX17 B POINT #24-2				1
3	13704705	BELT SIDE COVER SHAFT				1
4	B9113012000	WRENCH (9X10)				1
5	B9140372000	HEXAGONAL WRENCH, SMALL				1
6	B9141372000	HEXAGONAL WRENCH, LARGE				1
7	GCT02906000	HEXAGONAL SPANNER				1
8	40006323	JUKI GREASE A TUBE				1
9	22933204	SCREW DRIVER,SMALL				1
10	B91212200A0	OILER (CONTAINING NO.2 OIL)				1
11	PJ309520001	SOCKET				1
12	PB000010000	HOSE BAND				1
13	22933105	SCREW DRIVER,MIDDLE				1
14	40072154	COVER				1
15	B1131528000	FELT				1
16	10102200	THREAD GUIDE F				1
17	SM6040860TP	SCREW M4 L=8				1
18	B9101490000	DRIVER				1
19	40032763	HEXAGONAL_DRIVER(1.5)				1
20	22932800	ACCESSORIE BAG				1
21	22933006	SCREW DRIVER,LARGE				1
22	B8601WP10A0	TOOL BOX ASM.				1
23	40050647	COMPACTFLASH(TM) SET AMS-221E				1
24	40123512	CUSHION PLATE				8
25	40123408	BLOCK1				2
26	40123409	BLOCK2				2
27	-	SCREW M4X14				4
28	-	SCREW M4X10				4
29	-	SW				4
30	40117504	AMS-224EN INSTRUCTION MANUAL E				1
31	40100969	INSTRUCTION MANUAL JAPANESE				1
32	40100971	INSTRUCTION MANUAL CHINESE				1
33	40121840	INSTRUCTION MANUAL 3K				1
34	40121839	PART BOOK				1
35	40100975	SAFETY INSTRUCTION MANUAL				1
36	40088999	INFO OF THE BATTERY DISPOSAL B				1
37	40035696	AMS210E NEEDLE COOLER INST. M				1
38	40006484	SAFETY PLATE ASM				1
39	40051987	SAFETY PLATE BASE		*		1
40	26037200	SAFETY PLATE		*		1
41	SM4040655SP	SCREW M4 L=6		*		2
42	SM4040855SP	SCREW		*		2
43	WP0450801SD	WASHER 4.5X10X0.8		*		2

OPTIONAL PARTS COMPONENTS



OPTIONAL PARTS COMPONENTS

No.	Parts No.	Parts name	Remarks	Level	Cons	Qty
1	40072310	THREAD TENTION NO.3 ASSY				1
2	40040560	THREAD TENSION NO.3 ASM.		*		1
3	B3114771000	THREAD GUIDE		*		2
4	NS6090310SP	NUT 9/64-40		*		2
5	PJ301040502	HALF UNION 4XM5		*		1
6	NM6160511SE	NUT M16X1.5		*		1
7	PA0600504A0	AIR CYLINDER		*		1
8	G2302309000	THREAD TENSION ROD BASE		*		1
9	G2301309000	THREAD TENSION ROD		*		1
10	B3126012000	THREAD TENSION DISK		*		2
11	B3132552000	THREAD TENSION DISK PRESSER		*		1
12	B3121352000	TENSION SPRING		*		1
13	B1320125000	ROTATING STOPPER		*		1
14	11072204	TENSION NUT		*		1
15	BT0400251EB	URETHANE HOSE, BLACK		*		2
16	D4012D10N0H	THREAD TENSION NO.3 BASE		*		1
17	PV150209000	5 PORT SOLENOID VALVE		*		1
18	PX500014000	PLUG		*		1
19	40035324	SOLENOID VALVE CONNECTER ASM		*		1
20	SM6062002TP	SCREW M6 L=20		*		1
21	WP0612516SD	WASHER 6.1X15.2X2.5		*		1
22	40010414	THREAD_GUIDE_NO.1				1
23	40097301	SILICONE OIL TANK ASM				1
24	WP0501046SC	WASHER 5 X 13 X 1		*		1
25	SM4042055SP	SCREW		*		1
26	SM4041055SP	SCREW		*		1
27	11315108	COLLAR		*		1
28	40097524	TANK BASE ASM		*		1
29	40096983	FELT		*		1
30	13348008	TANK		*		1
31	B9213850000	SILICONE OIL TANK COVER, UPPER		*		1
32	PS0150082KH	SPRING PIN		*		2
33	ST4040851SN	TAPPING SCREW M4X8		*		2
34	40096982	TANK BASE		*		1
35	14103352	INNER HOOK PRESSER ASM., B				1
36	14103659	SHUTTLE RACE RING ASM.,C				1
37	B1817210DAD	SHUTTLE RACE RING ASM.,D				1
38	B242621000D	NEEDLE HOLE GUIDE D=2.4				1
39	B242621000F	NEEDLE HOLE GUIDE D=3.0				1
40	B242621000G	NEEDLE HOLE GUIDE D=3				1
41	B1601210D0BA	INTERMEDIATE PRESSER B				1
42	B1601210D0CA	INTERMEDIATE PRESSER C				1
43	40123146	TEFLON SEAT				1

HOW TO MAKE USE OF THIS PARTS LIST

1.As to "#01" and "#02" refer to the "Note" given at the bottom of the respective pages.

2.Codes on the "Qty" column

- Each numeral indicates the number of parts required.
- "0.1" and "2.5" indicate the length (in meters) of the respective parts.

3.Parentheses mean that the corresponding part is a subpart that constructs an assembly part.

4.Dotted lines on the Figures indicate assembly parts.

1. リストページの# 0 1、# 0 2の印は、ページ下の"注記"の説明を参照下さい。
2. 数量欄の数字は、個数を表し、0. 1、2. 5等の数値は、長さ（単位メートル）を表します。
3. 数量欄の（ ）は、組部品を構成している子部品であることを意味します。
4. イラストページの-----枠は、組構成であることを意味します。

NUMERICAL INDEX OF PARTS

PART NO	PAGE	REF NO.	PART NO	PAGE	REF NO.	PART NO	PAGE	REF NO.
-	10	88	22907505	18	45	40000056	66	3·4
-	12	88	22907554	18	44	40003458	62	42
-	42	62	22907604	18	46	40003970	22	46
-	44	62	22920508	2	16	40005393	62	33
-	46	59	22921506	34	29	40005393	66	18
-	48	59	22928808	34	28	40005394	62	35
-	50	119	22932800	70	20	40005394	66	20
-	52	119	22933006	70	21	40005401	62	22
-	54	119	22933105	70	13	40005401	66	8
-	68	64	22933204	70	9	40005706	62	20
-	70	29	23517501	36	4~7	40005726	62	36
10102200	70	16	23517600	36	4~7	40005726	66	21
10502300	2	35	23517709	36	4~7	40005727	62	37
11072204	72	14	23517808	36	4~7	40005727	66	22
11072402	2	47	23604200	14	2	40006323	70	8
11315108	72	27	23604309	14	42	40006484	2	37
13122403	18	23	23610108	18	39	40006484	70	38
13122452	18	22	23618606	30	7	40006515	16	50
13167903	58	33	23630007	26	14	40006515	32	66
13168000	58	34	23630007	32	70	40006516	16	52
13168109	58	26	26037200	70	40	40006530	14	17
13168208	58	27	26211904	2	12	40006531	14	18
13348008	72	30	26218602	34	31	40006532	14	26
13518501	32	55	26221101	8	15	40006535	14	23
13529607	26	15	26221200	8	14	40006574	26	2
13704705	70	3	26226001	22	42	40006576	26	20
13705108	2	21	26260109	6	5	40006577	26	11
13816855	8	12	26260208	6	6	40006578	26	33
14103352	26	27	26260307	6	7	40006617	34	5
14103352	72	35~37	26260406	6	8	40006622	34	25
14103659	72	35~37	26260505	6	9	40006625	34	4
14103907	26	10	26260604	6	10	40006666	38	54
14104004	26	8	26260703	6	11	40006761	40	1
14113450	4	49	26260802	6	12	40006780	40	11
14113468	2	46	26261206	6	16	40006836	2	43
14115554	6	31	26261305	6	17	40006840	2	45
14115554	66	44	26261503	6	18	40006840	32	68
14432504	32	56	26261602	6	19	40010414	72	22
16870206	8	35	26261701	6	20	40010415	14	5
17845009	62	27	26501858	26	7	40010418	14	7
22891006	14	25	26910059	58	25	40010422	14	9
22891204	14	34	31262801	8	13	40010423	14	10
22901409	16	62	40000046	62	15·16	40010424	14	11
22901805	6	3	40000046	66	3·4	40010425	14	12
22902506	2	4	40000056	62	15·16	40010426	14	13

NUMERICAL INDEX OF PARTS

PART NO	PAGE	REF NO.	PART NO	PAGE	REF NO.	PART NO	PAGE	REF NO.
40010427	14	14	40024988	18	29	40030628	20	62~64
40010434	14	33	40024989	22	24	40030629	20	62~64
40010443	38	49	40024991	18	40	40030630	20	62~64
40010470	26	16	40024997	8	9	40030828	2	8
40010471	26	17	40024999	2	6	40030829	6	15
40010472	26	19	40025011	18	13	40030934	36	25
40010477	34	6	40025012	18	5	40030936	36	1
40010478	34	41	40025016	22	31	40030942	40	17
40010479	34	8	40025030	22	36	40030943	40	15
40010487	34	17	40025414	2	14	40031336	6	28
40010489	34	23	40025415	18	8	40032158	2	1
40010490	34	20	40025418	22	33	40032159	2	26
40010497	34	21	40025419	22	47	40032179	22	7
40010498	34	22	40025420	22	44	40032180	22	17
40010499	34	24	40025423	22	8	40032181	24	56
40010503	34	27	40025426	22	27	40032343	34	11
40010504	34	30	40025427	18	2	40032345	34	14
40010509	34	34	40025428	18	11	40032483	22	6
40010510	34	35	40025429	18	26	40032763	70	19
40010511	34	36	40025431	18	1	40035024	60	36
40010512	34	37	40026817	22	4	40035324	56	33
40010513	34	38	40026818	30	36	40035324	72	19
40010514	34	39	40026819	22	9	40035692	56	24
40010515	34	40	40026882	16	57	40035694	56	25
40010521	34	43	40026884	16	61	40035696	70	37
40010522	34	44	40026979	2	3	40036117	26	25
40010523	34	33	40027870	22	37	40036118	26	35
40010527	40	22	40027971	2	11	40040230	8	17
40010528	40	23	40028338	6	4	40040230	68	54
40010533	16	54	40028834	2	30	40040237	68	58
40010590	40	10	40028835	2	31	40040238	68	49
40011152	40	24	40028877	2	28	40040256	36	8
40011902	14	35	40029411	34	32	40040560	72	2
40012815	40	19	40029412	34	42	40043321	24	53
40012965	18	19	40029419	18	36	40044053	14	46
40013640	6	29	40029420	22	5	40044053	32	62
40014963	26	28	40030615	22	15	40048529	66	45
40015800	40	5	40030616	20	65	40050647	70	23
40023624	20	58	40030617	18	4	40051640	62	43·50
40023624	36	13	40030620	18	31	40051987	2	40
40023631	20	49	40030621	20	55	40051987	70	39
40023865	6	13	40030623	18	47	40052937	16	60
40023866	6	14	40030625	22	1	40052937	66	23
40023993	34	12	40030626	22	2	40053776	36	23
40023999	34	15	40030627	22	3	40055355	62	1

NUMERICAL INDEX OF PARTS

PART NO	PAGE	REF NO.	PART NO	PAGE	REF NO.	PART NO	PAGE	REF NO.
40055356	62	2	40072207	30	3	40077604	16	55
40055357	62	3	40072208	32	49	40077605	16	56
40057278	64	43-50	40072211	36	45	40077925	20	56
40058949	8	37	40072212	8	22	40078083	14	27
40061991	26	29	40072213	8	21	40078106	14	22
40062367	64	55	40072220	56	1	40078113	20	57
40062367	66	24	40072225	40	28	40078133	18	43
40062368	64	56	40072227	30	31	40078135	14	29-30
40062368	66	25	40072228	36	10	40078160	14	38
40068833	18	14	40072233	14	39	40078163	60	2
40068834	18	28	40072310	72	1	40078168	60	9
40068835	18	7	40073620	66	35	40078382	14	16
40071942	22	21	40073621	66	36	40080799	60	3
40071942	66	28	40073622	66	32	40080800	60	4
40071944	36	22	40073623	66	29	40082758	62	13
40071944	66	31	40073626	66	40	40082758	66	2
40071945	66	34	40073632	66	37	40083666	60	7
40072086	14	8	40073638	66	38	40083668	60	6
40072088	32	72	40073639	66	33	40083960	60	10
40072089	30	1	40073640	66	30	40085784	58	2
40072090	30	11	40073651	64	54	40085785	58	3
40072091	30	15	40073651	66	5	40085786	58	4
40072092	30	22	40073659	64	46	40085787	58	5
40072093	30	30	40073659	66	26	40085788	58	6
40072094	30	33	40073660	34	1	40085789	58	7
40072095	30	35	40073660	66	41	40085790	58	8
40072096	30	38	40073671	68	47	40085791	58	9
40072097	30	43	40073672	68	48	40085792	58	10
40072098	30	44	40073674	40	33	40085793	58	11
40072099	30	42	40073674	68	50	40085794	58	12
40072100	30	40	40073675	68	51	40085795	58	13
40072101	26	41	40073676	2	33	40085796	58	16
40072102	26	40	40073676	68	52	40086384	30	6
40072103	32	51	40073678	2	25	40086468	60	30
40072106	30	23	40073678	68	53	40086468	66	14~16
40072107	36	15	40074051	60	18	40086485	60	1
40072108	40	26	40075079	40	30	40086485	66	6
40072109	40	34	40075079	66	39	40086541	60	5
40072110	40	38	40075391	66	46	40088999	70	36
40072111	34	26	40076232	40	16	40096030	62	29
40072140	26	1	40076233	40	3	40096030	66	9~11
40072151	66	42	40076236	40	12	40096031	62	30
40072154	70	14	40076237	40	9	40096031	66	9~11
40072159	30	45	40076238	40	4	40096032	62	31
40072173	30	9	40076239	40	40	40096032	66	9~11

NUMERICAL INDEX OF PARTS

PART NO	PAGE	REF NO.	PART NO	PAGE	REF NO.	PART NO	PAGE	REF NO.
40096034	60	32	40123769	46	20	40123812	56	35
40096034	66	14~16	40123771	42	33	40123814	50	6
40096035	60	33	40123772	42	32	40123815	50	9
40096035	66	14~16	40123773	42	18	40123816	50	7
40096051	60	34	40123774	42	16	40123817	50	3
40096051	66	7	40123775	42	8	40123818	50	37
40096186	14	29·30	40123776	42	19	40123819	50	38
40096209	14	31·32	40123777	44	48	40123820	50	34
40096325	58	14	40123777	50	21	40123821	50	35
40096326	58	17	40123778	42	42	40123822	50	36
40096327	58	19	40123778	50	12	40123823	50	13
40096354	58	1	40123779	52	77	40123824	50	16
40096982	72	34	40123780	52	79	40123825	50	15
40096983	72	29	40123781	52	80	40123826	44	51
40097301	72	23	40123782	52	81	40123826	50	19
40097524	72	28	40123783	52	76	40123900	46	26
40100969	70	31	40123784	52	64	40123901	46	34
40100971	70	32	40123785	52	63	40123903	42	31
40100975	70	35	40123786	52	65	40123904	42	9
40103968	36	19	40123787	52	61	40123905	42	13
40103969	22	20	40123788	52	75	40123906	46	46
40104419	44	63	40123789	52	68	40123907	46	43
40104419	54	114	40123790	52	69	A1230500000A	16	48
40108274	62	11	40123791	52	70	A1230500000A	32	64
40108274	66	1	40123792	52	56	B1111220000A	8	1
40108280	66	43	40123793	10	10	B1114280000	4	53
40117504	70	30	40123794	10	6	B1115220000	8	2
40121839	70	34	40123795	10	8	B1120223C00	8	3
40121840	70	33	40123796	10	9	B1129210000	2	19
40123146	72	43	40123797	10	2	B1131528000	70	15
40123401	8	30	40123798	10	3	B1144210000	14	45
40123402	12	53	40123799	10	1	B1144210000	32	61
40123403	12	54	40123800	10	5	B1212210D00	14	44
40123404	12	55	40123801	10	33	B1212210D00	32	60
40123405	12	56	40123802	10	34	B1228232000	34	46
40123406	12	57	40123803	12	68	B1320125000	72	13
40123408	70	25	40123804	12	58	B1408180000	18	32
40123409	70	26	40123805	12	59	B14115520A0	16	58
40123512	70	24	40123806	12	60	B1411804A00	26	46~49
40123763	46	38	40123808	12	73	B1411804B00	26	46~49
40123764	46	39	40123808	68	57	B1411804C00	28	46~49
40123765	46	47	40123809	12	74	B1411804D00	28	46~49
40123766	48	56	40123809	68	56	B1414555000	16	59
40123767	48	55	40123810	56	20	B1601210D0BA	72	41·42
40123768	46	19	40123811	56	34	B1601210DOCA	20	50

NUMERICAL INDEX OF PARTS

PART NO	PAGE	REF NO.	PART NO	PAGE	REF NO.	PART NO	PAGE	REF NO.
B1601210D0CA	72	41·42	B8111220000	8	26	EA9500B0200	6	38
B161121000A	20	48	B8112220000	8	24	EA9500B0200	24	57
B1634210D00	20	53	B8202205000	8	25	G2301309000	72	9
B1636581A00	18	15~18	B8601WP10A0	70	22	G2302309000	72	8
B1636581B00	18	15~18	B9101490000	70	18	G5430116000	56	12
B1636581C00	18	15~18	B9113012000	70	4	G8124270000	56	9
B1636581D00	18	15~18	B9121012000	8	28	GAF01007000	16	49
B1641562000	22	41	B91212200A0	70	10	GAF01007000	32	65
B1705850000	14	31·32	B9140372000	70	5~7	GBR0118500A	40	39
B1806210D00	26	31	B9141372000	70	5~7	GCT02906000	70	5~7
B1806210D00	70	1	B9213850000	72	31	HA005820000	60	16
B1816215P00	38	48	BME01100000	60	25·26	HA005820000	66	13
B1817210DAD	72	35~37	BME03200000	60	25·26	HD00057000A	24	48
B1820210D00	26	3	BT0400251EB	56	29	HD00057000A	36	17
B1821210D00	26	4	BT0400251EB	72	15	HD00057000A	66	12
B1822215P00	26	5	BT0600401EB	56	5	HD00204000A	40	35
B1828210DAA	26	30	CM100100001	6	32	HD00204000A	66	17
B1847221D00	26	45	CM100300001	8	32	HD00204000B	40	36
B1903552000	14	28	CM200100001	64	49	HD00204000B	66	19
B1908505000	14	19	CM300100003	60	27	HD002780000	22	22
B24142800A0	36	34	CM300100401	60	23·24	HD002780000	36	20
B24152800A0	36	32	CM300200001	8	36	HD002780000	66	27
B2416280000	36	31	CM300200003	4	55	HF00130315S	60	20~22
B2417210000	36	36	CM300200003	8	33	HF0013050P0	60	20~22
B2417280000	36	38	CM300400601	60	28·29	HF003000200	60	20~22
B2418280000	36	30	CM300400701	60	28·29	HK034610040	56	14
B2421210AA0	36	29	CM301200001	6	1	HK034610100	68	55
B242328000A	36	39~42	CM600100101	60	14	HK034640000	56	15
B242328000B	36	39~42	CM600100101	64	52	HN001490000	64	47
B242328000C	36	39~42	CQ200000000	26	13	HW002180200	60	15
B242328000D	36	39~42	CQ200000000	32	69	HX00147000J	64	58
B2424210000	36	28	CQ303000000	18	3	HX00150000C	36	43
B242621000D	72	38~40	CS079073ASH	18	33	HX00150000D	6	35
B242621000F	36	27	CS0800881TP	22	29	HX00150000F	6	34
B242621000F	72	38~40	CS0800971TP	26	43	HX00150000H	6	36
B242621000G	72	38~40	D4012D10N0H	72	16	HX002330000	56	31
B3114771000	72	3	D7133555B00	4	51	HX00326000K	62	45
B3120372000	2	41	E2678453000	56	18	HX00326000N	8	38
B3121352000	72	12	E9567319000	62	41	HX003390000	8	19
B3126012000	4	50	E9607603000	62	40	HX003390000	62	18
B3126012000	72	10	EA9500B0100	6	37	HX00354000B	60	12
B3132552000	72	11	EA9500B0100	24	50	HX004070000	62	26
B3509280000	32	48	EA9500B0100	26	32	HX00410000A	62	32
B3518280000	30	47	EA9500B0100	56	16	HX00418000E	64	57
B3538112000	26	38	EA9500B0100	64	48	HX005110000	62	39

NUMERICAL INDEX OF PARTS

PART NO	PAGE	REF NO.	PART NO	PAGE	REF NO.	PART NO	PAGE	REF NO.
KM00000480	62	23	RC3781518KP	18	20	SD0800387TP	22	40
M300451100A	60	19	RE0200000K0	40	7	SD0800407TP	40	25
M3801476000	62	6	RE0300000K0	26	6	SD0800408TP	18	38
M4206461000	62	10	RE0400000K0	6	22	SD0800656TP	20	60
M90295800A0	64	53	RE0700000K0	22	35	SD0800746TP	18	10
M90345800A0	60	31	RE0800000K0	30	37	SD1000506TP	18	37
MDP17BB2400	14	37	RE0900000K0	34	3	SK3413201SE	60	35
MDP17BB2402	70	2	SB104001600	14	21	SL4020591SC	22	23
NM3040520SC	62	25	SB108000500	22	26	SL4020591SC	36	21
NM6030003SC	40	42	SB108002200	14	20	SL4030681SC	60	11
NM6040000SN	2	15	SB108002300	14	24	SL4030881SC	60	13
NM6040001SP	36	9	SB110002400	38	52	SL4030881SC	64	59
NM6040002SE	58	32	SB112000200	32	57	SL4031091SC	24	49
NM6040003SC	34	18	SB115001400	30	29	SL4031091SC	36	18
NM6050001SE	58	24	SB117000400	30	2	SL4031481SC	8	27
NM6050001SP	36	12	SB117001000	30	5	SL4040881SC	62	21
NM6080001SC	62	44	SB117001100	30	14	SL4040891SC	6	30
NM6120011SF	8	4	SB120000900	14	1	SL4040891SC	8	18
NM6160511SE	72	6	SB120001700	14	6	SL4040891SC	62	38
NS6090310SP	72	4	SB120001800	14	4	SL4041081SC	64	51
NS6110310SP	4	48	SB30700020A	16	64~67	SL4041091SC	8	16
PA0600504A0	72	7	SB30700020B	16	64~67	SL4041091SC	62	28
PB000010000	70	12	SB30700020C	16	64~67	SL4041091SE	60	17
PC012401000	56	32	SB30700020D	16	64~67	SL4043591SC	62	24
PF0552040B0	56	8	SB30800100A	26	21~24	SL4051091SC	56	26
PJ030520001	56	11	SB30800100B	26	21~24	SL6040892TN	2	34
PJ301040502	72	5	SB30800100C	26	21~24	SL6040892TN	6	33
PJ301040505	56	3	SB30800100D	26	21~24	SL6040892TN	30	46
PJ301060003	56	7	SB31000110A	30	25~28	SL6052592TN	14	41
PJ305065202	56	10	SB31000110B	30	25~28	SL6082092TN	64	60
PJ309005203	56	13	SB31000110C	30	25~28	SL6083092TN	62	7
PJ309520001	70	11	SB31000110D	30	25~28	SM1030601SP	30	24
PS0150082KH	72	32	SB33500020A	30	17~21	SM1040650TP	36	3
PS0400142KH	14	47	SB33500020B	30	17~21	SM1040870TP	30	39
PS0400142KH	32	63	SB33500020C	30	17~21	SM2360110TP	40	20
PV150209000	56	30	SB33500020D	30	17~21	SM4020600SP	40	18
PV150209000	72	17	SB33500020E	30	17~21	SM4030455SP	26	12
PV150209100	56	4	SB408000100	22	13	SM4030601SN	2	36
PV915005000	56	2	SD0350156TP	40	41	SM4040655SP	2	42
PX500014000	56	27	SD0400266TP	40	8	SM4040655SP	70	41
PX500014000	72	18	SD0800327TP	36	11	SM4040855SP	2	38
PX950009000	56	17	SD0800336TP	20	59	SM4040855SP	70	42
RC0560711KP	6	21	SD0800337TP	22	25	SM4041001SC	58	28
RC0650811KP	18	25	SD0800346TP	32	52	SM4041055SP	2	32
RC1200001KP	32	59	SD0800386TP	18	35	SM4041055SP	72	26

NUMERICAL INDEX OF PARTS

PART NO	PAGE	REF NO.	PART NO	PAGE	REF NO.	PART NO	PAGE	REF NO.
SM4041201SC	58	30	SM8030412TP	16	63	TA2100904R0	8	20
SM4042001SC	58	31	SM8030412TP	34	7	TA2351004R0	2	27
SM4042055SP	72	25	SM8040310SS	16	53	WP0320500SC	40	6
SM4051055SP	2	29	SM8040412TP	4	54	WP0430800SC	20	54
SM4051405SE	58	23	SM8040502TP	30	67	WP0430801SC	34	10
SM4051655SP	38	50	SM8040502TP	32	67	WP0450801SD	2	39
SM4061255SP	2	13	SM8040802TP	6	26	WP0450801SD	70	43
SM4061255SP	32	50	SM8050412TP	22	43	WP0450801SP	40	2
SM5040655SN	6	24	SM8050502TP	6	25	WP0450826SC	6	23
SM6020250TP	26	36	SM8050512TP	26	44	WP0450846SP	24	52
SM6020350SP	40	13	SM8050592TP	36	16	WP0450846SP	36	37
SM6020450TP	40	37	SM8060552TP	26	42	WP0501046SC	72	24
SM6020460TP	26	26	SM8060552TP	30	32	WP0510516SD	34	45
SM6030602TP	40	14	SM8060602TP	22	19	WP0520656SA	22	38
SM6040602TP	20	52	SM8060610TP	26	34	WP0522016SH	22	39
SM6040602TP	24	51	SM8060812TP	14	43	WP0531000SD	30	13
SM6040602TP	26	39	SM8060812TP	18	66	WP0531001SC	58	22
SM6040602TP	40	32	SM8060812TP	20	66	WP0611626SP	18	9
SM6040650TP	2	44	SM8060812TP	22	34	WP0612516SD	72	21
SM6040650TP	30	41	SM8060812TP	30	16	WP0641601SC	8	11
SM6040650TP	38	53	SM8060812TP	36	14	WP0641601SD	32	54
SM6040650TP	40	21	SM8061050TP	26	37	WP0651001SC	36	47
SM6040802TP	6	39	SM8061612TP	14	36	WP0820516SP	14	15
SM6040802TP	8	23	SM8061612TP	34	47	WP0841601SC	62	62
SM6040802TP	34	16	SM8480652TP	22	10	WP0841601SC	64	62
SM6040802TP	36	51	SM8480652TP	30	34	WP0850002SP	22	14
SM6040802TP	38	51	SM9124503SB	8	5	WP1221016SP	18	27
SM6040860TP	2	18	SS1060210TP	36	35	WP1221016SP	32	58
SM6040860TP	34	13	SS1110640TP	18	30	WP1302501SE	8	7
SM6040860TP	70	17	SS6090910SP	18	41	WP1612616SE	58	15
SM6041150TP	6	27	SS6110430TP	36	24	WS0451040KP	4	52
SM6041202TP	40	31	SS7090410SP	36	33	WS0510002KN	58	21
SM6041402TP	24	54	SS7110740TP	36	26	WS0820002KN	62	34
SM6041602TP	14	40	SS7111810TP	18	42	WS1253010KN	8	8
SM6050802TP	22	45	SS8110410TP	18	34	WZ0850302K0	22	28
SM6051602TP	30	12	SS8660612TP	30	8			
SM6060800SP	26	18	SS9151240SN	8	6			
SM6061010TP	32	53	ST4040851SN	72	33			
SM6061202TP	8	10	TA0550604R0	20	61			
SM6061402TP	18	24	TA0750404R0	8	29			
SM6061802TP	24	55	TA0750404R0	18	21			
SM6061802TP	36	46	TA0850604R0	2	23			
SM6062002TP	72	20	TA1050504R0	2	24			
SM6087002TN	64	61	TA1050504R0	32	71			
SM7751160TP	20	51	TA2100904R0	2	10			