

MODEL : MEB-3810

List No : 1593-06

# PARTS LIST

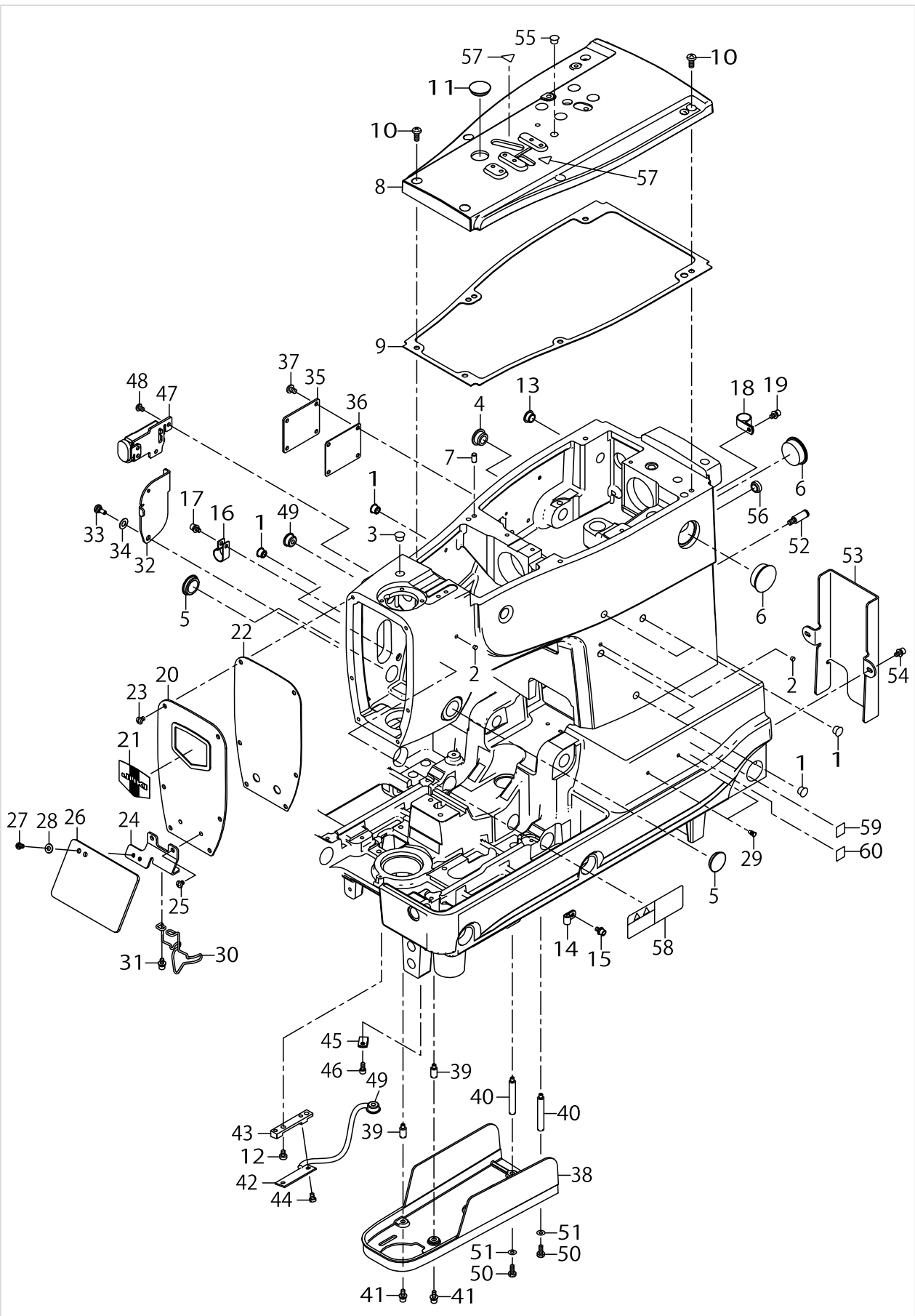
Published:09/22/2017

## CONTENTS

---

FRAME & MISCELLANEOUS COVER COMPONENTS(1).....	1
FRAME & MISCELLANEOUS COVER COMPONENTS(2).....	5
BOTTOM COVER COMPONENTS.....	9
FEED COMPONENTS.....	15
CLOTH OPEN COMPONENTS.....	19
LOWER THREAD CUTTING COMPONENTS (TYPE 01).....	23
UPPER THREAD CUTTING COMPONENTS.....	25
PRESSER COMPONENTS (1).....	27
PRESSER COMPONENTS (2).....	29
PRESSER COMPONENTS (COMMON).....	31
REVOLUTION COMPONENTS.....	35
LOOPER DRIVING COMPONENTS.....	39
LOWER SHAFT COMPONENTS.....	43
UPPER SHAFT COMPONENTS.....	47
VERTICAL SHAFT COMPONENTS.....	49
NEEDLE BAR ROCKING COMPONENTS.....	51
NEEDLE BAR COMPONENTS.....	53
THREAD TAKE-UP LEVER COMPONENTS.....	55
LOWER THREAD HAUL COMPONENTS.....	57
UPPER THREAD HAUL COMPONENTS.....	59
GIMP HAUL COMPONENTS.....	61
CLOTH CUTTING COMPONENTS.....	63
UPPER THREAD CLAMP UNIT.....	67
LUBRICATION MECHANISM COMPONENTS.....	71
AIR COMPONENTS.....	75
OPERATION BOX COMPONENTS.....	77
TRANSMISSION COMPONENTS.....	79
WIRING DIAGRAM.....	83
ACCESSORY PARTS COMPONENTS.....	85
TABLE COMPONENTS.....	89
OPTION COMPONENTS.....	91
TABLE OF EXCHANGING GAUGE PARTS (1).....	93
TABLE OF EXCHANGING GAUGE PARTS (2).....	95
TABLE OF EXCHANGING GAUGE PARTS (3).....	97
LIST FOR INFORMATION OF CHANGE.....	99
HOW TO MAKE USE OF THIS PARTS LIST.....	100

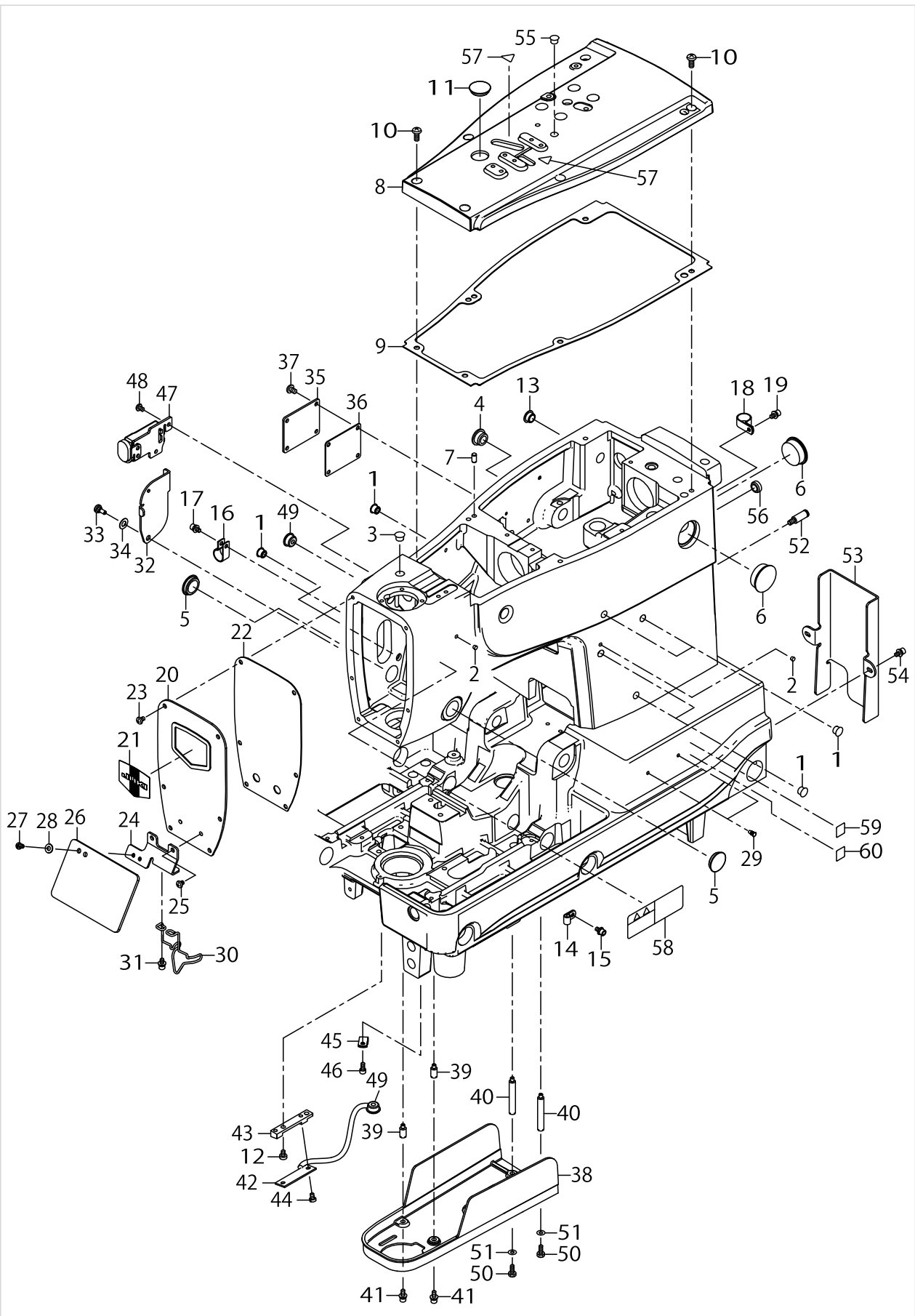
FRAME & MISCELLANEOUS COVER COMPONENTS(1)



FRAME & MISCELLANEOUS COVER COMPONENTS(1)

No.	Parts No.	Parts name	Remarks	Level	Cons	Qty
1	TA0850604R0	RUBBER PLUG				6
2	TA0370301R0	PLUG D=3.7X4.4 L=3				2
3	TA1050504R0	RUBBER PLUG				1
4	TA1470704R0	RUBBER PLUG				1
5	TA2050406R0	RUBBER PLUG				2
6	B3501210000	OIL GAUGE				2
7	PH0500102C0	PIN M5 L=10				1
8	40115110	TOP COVER				1
9	40115112	TOP COVER PACKING				1
10	SM4051255SP	SCREW M5 L=12				6
11	TA2050406R0	RUBBER PLUG				1
12	SM6040610SC	SCREW M4X0.7 L=6				2
13	TA1250406R0	RUBBER PLUG D=12.5 L=4				1
14	HX00150000A	CABLE CLAMP				1
15	SL6040892TN	BOLT				1
16	HX00150000F	CABLE CLIP				1
17	SL6040892TN	BOLT				1
18	HX00150000H	CABLE CLIP				1
19	SL6040892TN	BOLT				1
20	40115113	FACE COVER				1
21	22902506	FACE PLATE				1
22	40115115	FACE COVER PACKING				1
23	SM4040655SP	SCREW M4 L=6				6
24	40115119	SAFETY PLATE BRACKET				1
25	SM4040655SP	SCREW M4 L=6				2
26	26037200	SAFETY PLATE				1
27	SM4040655SP	SCREW M4 L=6				2
28	WP0450826SC	WASHER 4.5X10X0.8				2
29	11001005	SCREW				2
30	40115120	FINGER GUARD				1
31	SL6040892TN	BOLT				2
32	40115121	ADJUST COVER				1
33	SD0600277TP	SHOULDER SCREW D=6 H=2.7				1
34	WZ0620550KP	WASHER				1
35	40115122	SIDE COVER				1
36	40115124	SIDE COVER PACKING				1
37	SM4040655SP	SCREW M4 L=6				4
38	40115125	REVOLUTION COVER				1
39	40115126	STUD A				2
40	40115127	STUD B				2
41	SL6041092TN	SCREW				2
42	40114380	LED PCB ASSY				1
43	40115129	LED BASE				1
44	SM6040602TP	SCREW M4 L=6				2
45	HX00150000B	CABLE CLIP				1
46	SM6040802TP	SCREW M4X0.7 L=8				1
47	40114427	SWITCH ASM.				1

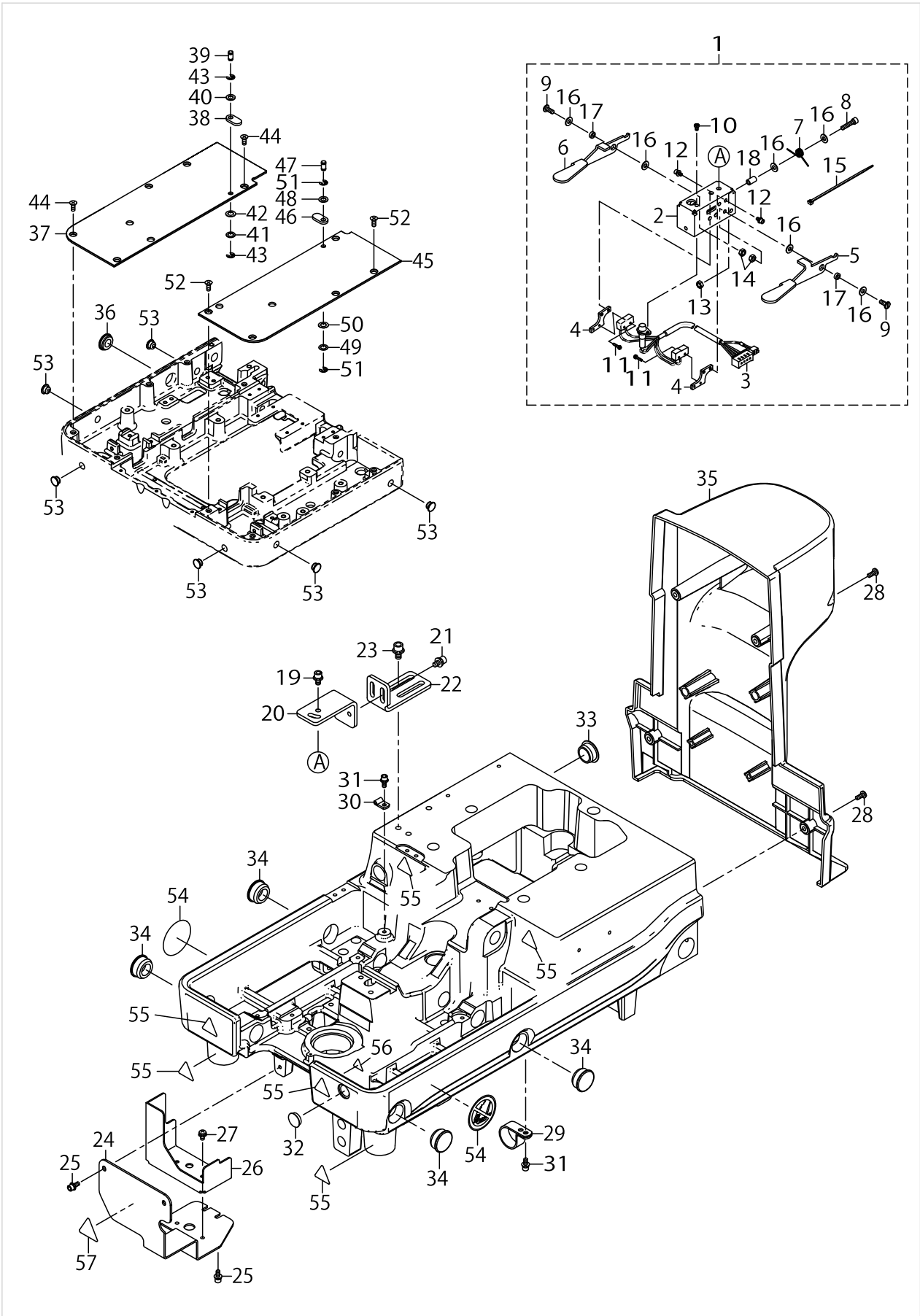
FRAME & MISCELLANEOUS COVER COMPONENTS(1)



FRAME & MISCELLANEOUS COVER COMPONENTS(1)

No.	Parts No.	Parts name	Remarks	Level	Cons	Qty
48	SM4040655SP	SCREW M4 L=6				2
49	10622009	COAD BUSH				2
50	SM9041050SC	SCREW M4X0.7 L=10				2
51	WP0430800SD	WASHER M4				2
52	32034803	TENSION PULLEY SHAFT				1
53	40133594	LOWER_SPROCKET_COVER				1
54	SL6040892TN	BOLT				2
55	TA0850604R0	RUBBER PLUG				1
56	TA1270502R0	RUBBER PLUG				1
57	CM300200001	ATTENTION SEAL				2
58	CM301300001	SAFETY LABEL				1
59	CM600100101	WEEE MARK LABEL S	FOR CE			1
60	40150131	EAC_MARK_LABEL_S	FOR CE			1

FRAME & MISCELLANEOUS COVER COMPONENTS(2)

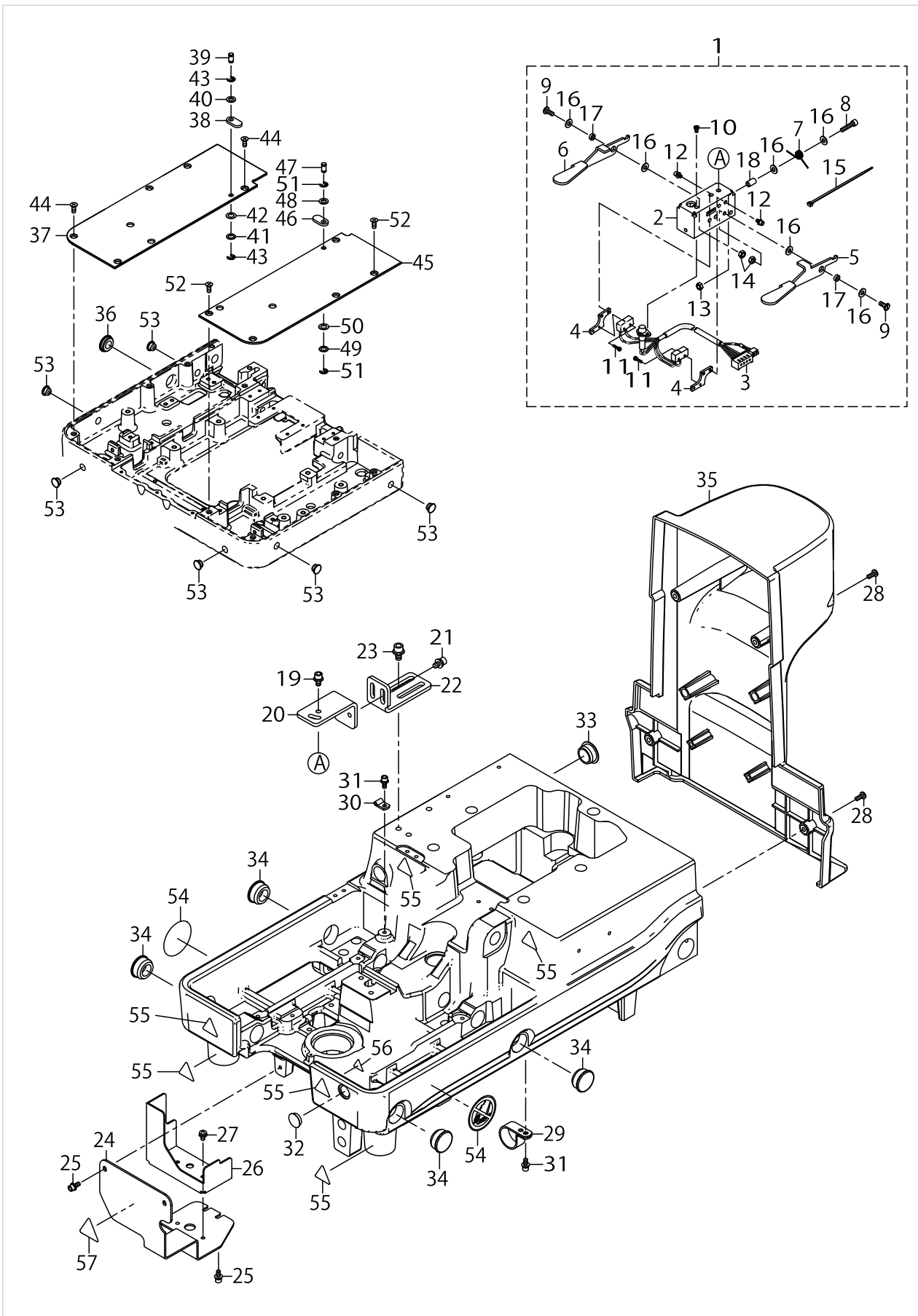


FRAME & MISCELLANEOUS COVER COMPONENTS(2)

No.	Parts No.	Parts name	Remarks	Level	Cons	Qty
1	40115136	START SWITCH ASM				1
2	40115137	SWITCH BOX		*		1
3	40114430	LED SW ASM.		*		1
4	32078800	SWITCH FITTING PLATE		*		2
5	40115138	SWITCH LEVER R		*		1
6	40115139	SWITCH LEVER L		*		1
7	32079105	LEVER RETURN SPRING		*		1
8	SM6041802TP	SCREW M4 L=18		*		1
9	SM6041050TP	SCREW		*		2
10	SM4030501SC	SCREW M3X0.5 L=5		*		1
11	SL4021091SC	SCREW M2 L=10		*		4
12	SL6030692TN	SCREW M3 L=6		*		4
13	NM6040001SD	NUT M4		*		1
14	NM6040001SD	NUT M4		*		2
15	EA9500B0100	CABLE BAND		*		1
16	WP0450801SP	WASHER		*		6
17	40115140	COLLAR A		*		2
18	40115141	COLLAR B		*		1
19	SL6051292TN	BOLT				2
20	40115142	START SWITCH BKT A				1
21	SL6051092TN	BOLT				2
22	40115143	START SWITCH BKT B				1
23	SL6061292TN	SCREW				2
24	40115130	LOOPER CAM COVER				1
25	SL6041092TN	SCREW				4
26	40115131	LOOPER CAM COVER B				1
27	SL4040891SC	SCREW M4 L=8				2
28	SM5041055SN	SCREW M4X10				4
29	HX00150000N	CABLE CLIP				2
30	HX001500000	CLIP				1
31	SL6041092TN	SCREW				3
32	TA1450404R0	RUBBER PLUG D=14.5 L=4				1
33	TA2100904R0	RUBBER PLUG				1
34	TA2351305R0	RUBBER PLUG				4
35	40115116	REAR COVER				1
36	TA1650406R0	PRUG				1
37	40115132	FEED BASE COVER LEFT				1
38	14012504	CLAMP HOLDING PLATE				1
39	32002008	VERTICAL SHAFT				1
40	WP0550800SP	WASHER 5.5X10X0.8				1
41	26217604	WASHER				1
42	WZ0620290KP	WAVED WASHER				1
43	RE0400000KP	E-RING 4				2
44	SM1041001SN	SCREW M4X0.7 L=10				5
45	40115134	FEED BASE COVER RIGHT				1
46	14012504	CLAMP HOLDING PLATE				1
47	32002008	VERTICAL SHAFT				1



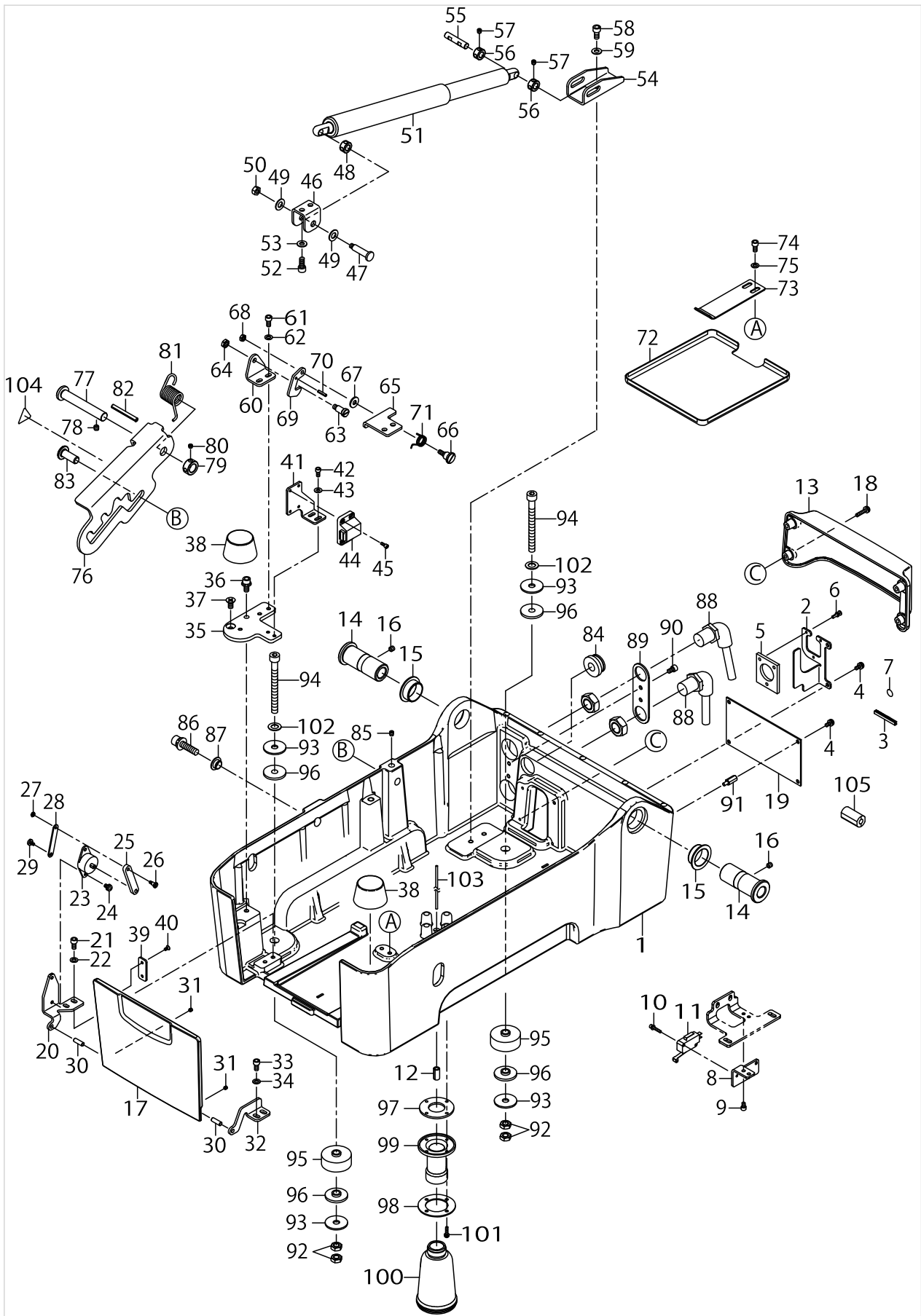
FRAME & MISCELLANEOUS COVER COMPONENTS(2)



FRAME & MISCELLANEOUS COVER COMPONENTS(2)

No.	Parts No.	Parts name	Remarks	Level	Cons	Qty
48	WP0550800SP	WASHER 5.5X10X0.8				1
49	26217604	WASHER				1
50	WZ0620290KP	WAVED WASHER				1
51	RE0400000KP	E-RING 4				2
52	SM1041001SN	SCREW M4X0.7 L=10				5
53	TA0850604R0	RUBBER PLUG				6
54	CM100300001	MUST NOT HOLD LABEL				2
55	CM300200002	CAUTION LABEL(25)				6
56	CM300200001	ATTENTION SEAL				1
57	CM300200003	ATTENTION LABEL				1

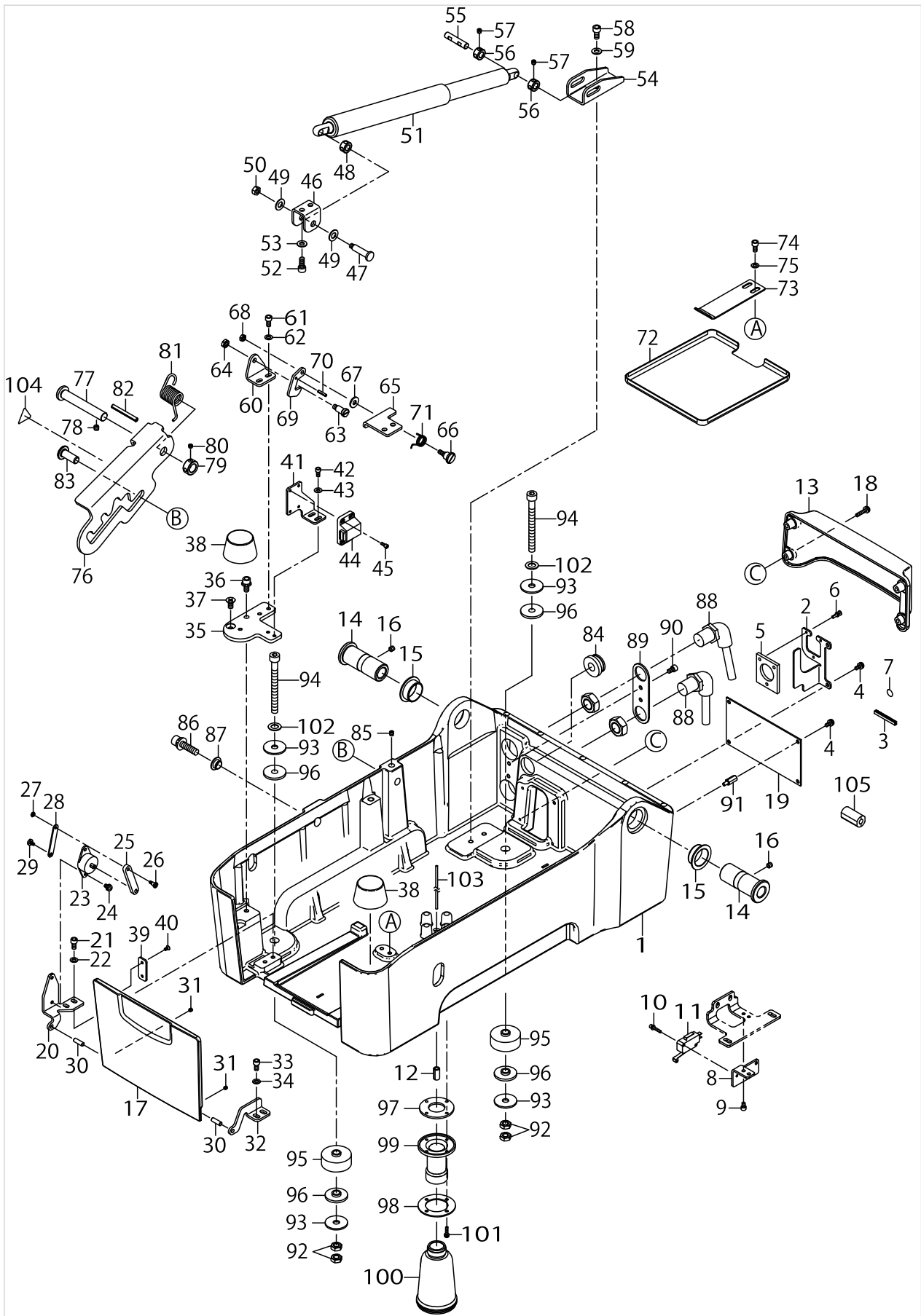
BOTTOM COVER COMPONENTS



BOTTOM COVER COMPONENTS

No.	Parts No.	Parts name	Remarks	Level	Cons	Qty
1	40115157	BOTTOM COVER				1
2	40119992	CABLE HOLDER PLATE				1
3	EA9002B1100	BUSHING L				0.081
4	SL4041091SC	SCREW M4 L=10				4
5	40120513	CABLE FELT				1
6	HX00094000C	NYLON RIVET				3
7	22901805	GROUND MARK				1
8	40115190	BED SWICH STAY				1
9	SM6040602TP	SCREW M4 L=6				2
10	SL6031692TN	SCREW				2
11	32002255	SWITCH ASM.				1
12	PS0800162KP	SPRING PIN 8X16				1
13	40115189	INT COVER				1
14	40115162	HINGE SHAFT				2
15	40115163	HINGE BUSH				2
16	SM8060612TP	SCREW M6 L=6				2
17	40115164	FRONT COVER				1
18	SL4042081SC	SCREW				4
19	40114390	INT PCB ASM				1
20	40115166	FRONT COVER BASE A				1
21	SM6051002TP	SCREW M5X0.8 L=10				2
22	WP0550800SP	WASHER 5.5X10X0.8				2
23	40115167	DUMPER				1
24	SL4040881SC	SCREW M4 L=8				2
25	40115168	LINK A				1
26	SD0400506TP	SHOULDER SCREW D=4 H=5				1
27	NM6030003SC	NUT M3				1
28	40115169	LINK B				1
29	SD0400266TP	SHOULDER SCREW				1
30	13416508	PIN DIFF ADJ				2
31	SM8040412TP	SET SCREW M4 L=4				2
32	40115170	FRONT COVER BASE B				1
33	SM6051002TP	SCREW M5X0.8 L=10				2
34	WP0550800SP	WASHER 5.5X10X0.8				2
35	40115171	BASE PLATE				1
36	SL6061492TN	BOLT				1
37	SM1061201SN	SCREW M6 L=12				1
38	40115159	STOPPER RUBBER				2
39	40115172	RATCH BRACKET A				1
40	SM1030601SC	SCREW M3 L=6				2
41	40115173	RATCH BRACKET B				1
42	SM6040802TP	SCREW M4X0.7 L=8				2
43	WP0450801SP	WASHER				2
44	40115174	MC LATCH				1
45	SM6030602TP	SCREW M3X0.5 L=6				4
46	40115175	GAS SPRING BRACKET UPPER				1
47	40089784	SHOULDER SCREW				1

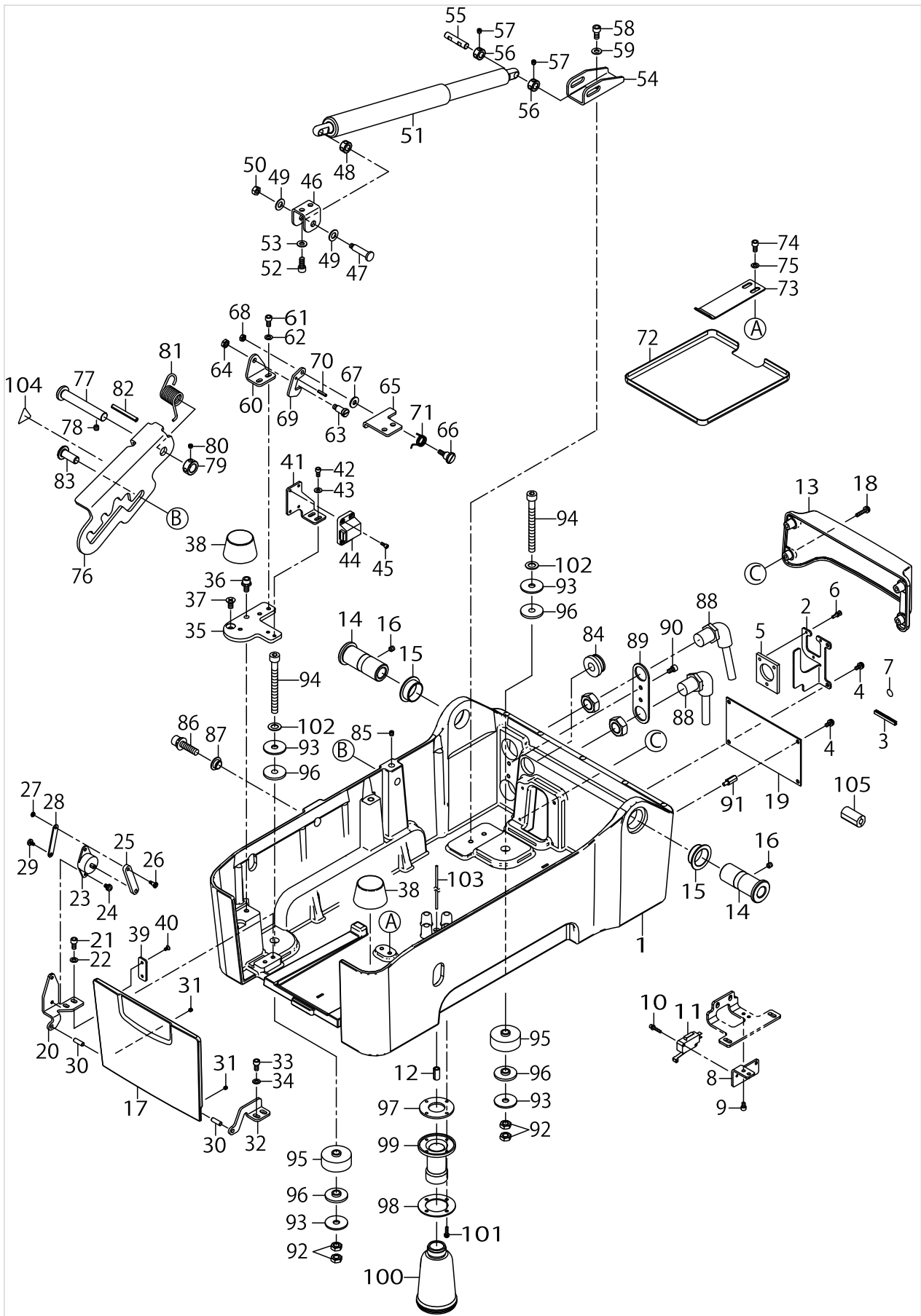
**BOTTOM COVER COMPONENTS**



BOTTOM COVER COMPONENTS

No.	Parts No.	Parts name	Remarks	Level	Cons	Qty
48	CS0800881TP	THRUST COLLAR				1
49	B1223771000	NEEDLE ROD CRANK WASHER				2
50	NM6060001SC	NUT M6				1
51	40100390	GAS SPRING ASM				1
52	SM6061402TP	SCREW M6 L=14				2
53	WP0621016SH	WASHER				2
54	40115176	GAS SPRING BRACKET LOWER				1
55	40100145	GAS SPRING SHAFT L				1
56	CS0800881TP	THRUST COLLAR				2
57	SM8050512TP	SCREW				4
58	SM6061202TP	SCREW M6 L=12				2
59	WP0621016SH	WASHER				2
60	40115177	ROCK BASE A				1
61	SM6051002TP	SCREW M5X0.8 L=10				2
62	WP0550800SP	WASHER 5.5X10X0.8				2
63	SD0791276TP	SHOULDER SCREW				1
64	NM6060003SC	NUT M6				1
65	40115178	ROCK BASE B				1
66	40115179	SHOULDER SCREW				1
67	WP0553216SD	WASHER				1
68	NM6050003SC	NUT M5X0.8				1
69	40115180	ROCK LEVER				1
70	PS0300142KH	SPRING PIN 0.3 X 14				1
71	40115181	ROCK SPRING				1
72	40115182	DUST TRAY				1
73	40115183	FIXED PLATE				1
74	SM6051002TP	SCREW M5X0.8 L=10				2
75	WP0550800SP	WASHER 5.5X10X0.8				2
76	40115184	HINGE STOPPER				1
77	40115185	PIVOT SHAFT				1
78	SM8060612TP	SCREW M6 L=6				1
79	CS1200981TP	THRUST COLLAR D=12 W=9				1
80	SM8050412TP	SCREW M5 L=4				2
81	40115186	STOPPER SPRING				1
82	PS0500452KP	SPRING PIN				1
83	40134725	HINGE STOPPER SHAFT				1
84	32006504	CLOTH WASTE BUSH				1
85	SM8050612TP	SCREW M5X6				1
86	SL6083092TN	SCREW				1
87	E2193172000	PT EV PP METAL				1
88	PJ304100004	UNION				2
89	40115188	ELBOW BRACKET				1
90	SM6050802TP	SCREW M5X0.8 L=8				2
91	HX00339000F	SPACER				4
92	NM6080003SC	NUT M8				8
93	WP0852086SC	WASHER M8				8
94	SM6088502TP	SCREW M8 L=85				4

BOTTOM COVER COMPONENTS

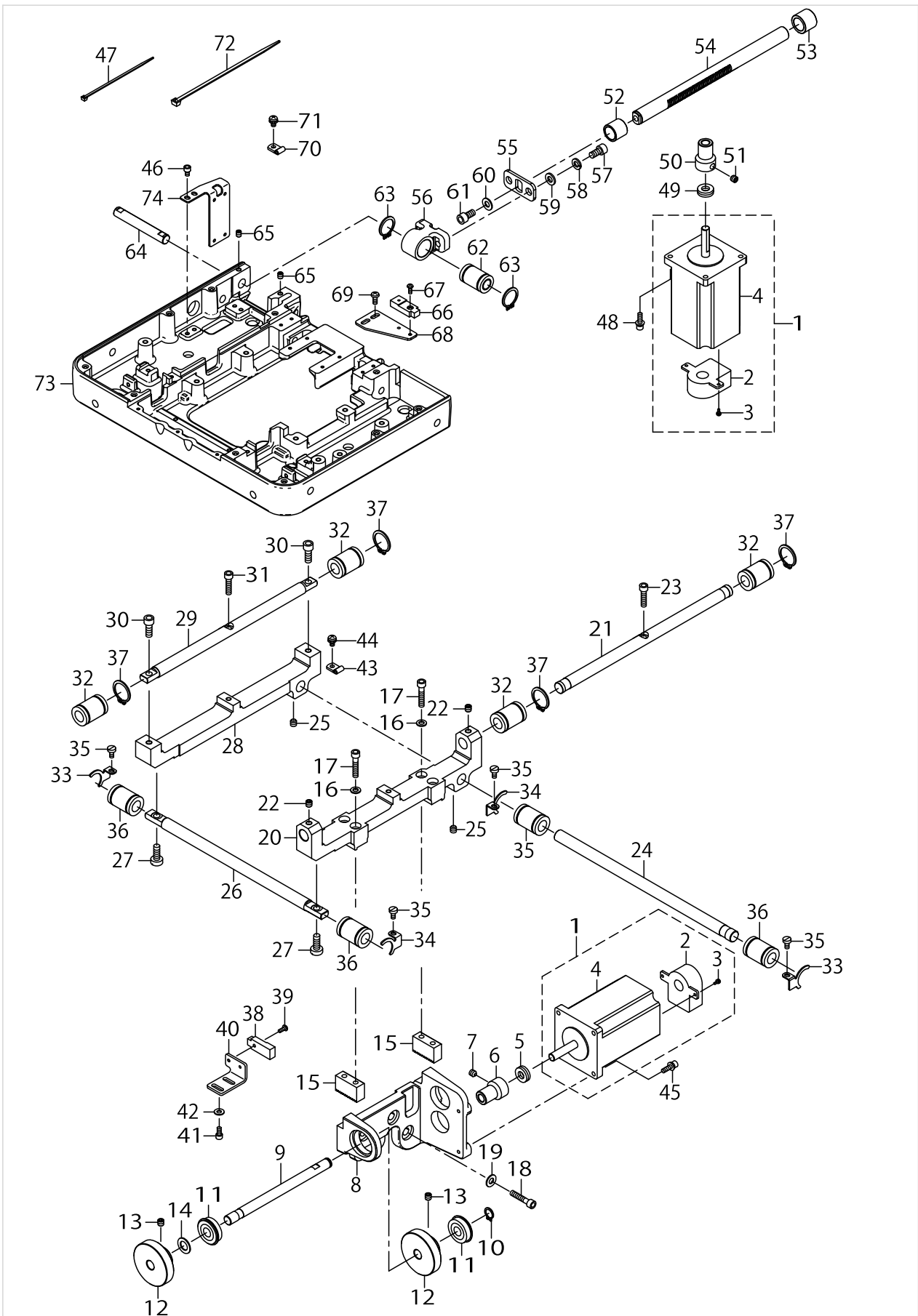


BOTTOM COVER COMPONENTS

No.	Parts No.	Parts name	Remarks	Level	Cons	Qty
95	40115161	BOLT RUBBER B				4
96	40115160	BOLT RUBBER				8
97	B8112220000	OIL SEAL				1
98	B8111220000	WASHER				1
99	B8202205000	OIL MANAGEMENT				1
100	B9121012000	OIL CAN				1
101	SL4031481SC	SCREW M3X14				4
102	12922605	GASKET				4
103	CQ252000000	OIL WICK				0.12
104	CM300200002	CAUTION LABEL(25)				1
105	HN00149000D	CORES	FOR CE			3



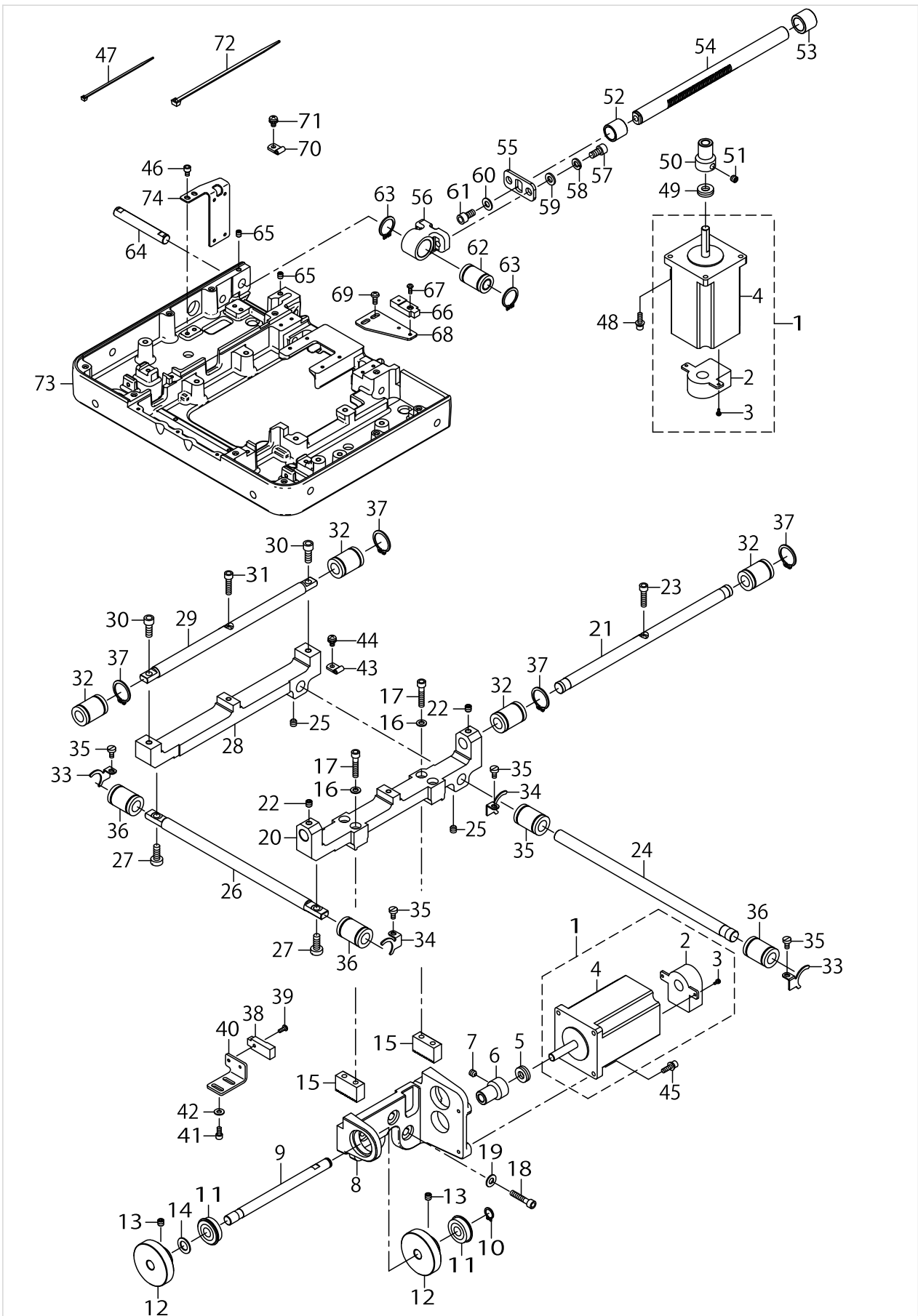
FEED COMPONENTS



FEED COMPONENTS

No.	Parts No.	Parts name	Remarks	Level	Cons	Qty
1	40134501	ENCODER MOTOR ASM(XY)				2
2	HD002780000	SENSOR		*		1
3	SL4020591SC	SCREW M2X5		*		2
4	40136294	STEPPING MOTOR		*		1
5	SB408000100	BEARING				1
6	26501502	Y FEED GEAR				1
7	SM8060602TP	SCREW M6X6				2
8	40115197	MOTOR FRAME				1
9	40115198	X FEED SHAFT				1
10	RC0100001KP	SNAP RING M10				1
11	SB110002400	BEARING				2
12	40115199	X FEED GEAR				2
13	SM8060612TP	SCREW M6 L=6				4
14	10523504	WASHER				1
15	40115200	RACK GEAR				2
16	WP0531000SD	WASHER M5				4
17	SM6052502TP	SCREW M5X0.8 L=25				4
18	SM6062502TP	SCREW M6 L=25				3
19	WP0621016SH	WASHER				3
20	40115201	GUIDE SHAFT FIXING BASE R				1
21	40115203	VERTICAL FEED GUIDE SHAFT R				1
22	SM8060612TP	SCREW M6 L=6				2
23	SM6052002TP	SCREW M5 L=20				1
24	40115205	PARALLEL FEED SHAFT				1
25	SM8060612TP	SCREW M6 L=6				2
26	40115206	PARALLEL FEED SHAFT F				1
27	SM6061650TP	SCREW				2
28	40115202	GUIDE SHAFT FIXING BASE L				1
29	40115204	VERTICAL FEED GUIDE SHAFT L				1
30	SM6061650TP	SCREW				2
31	SM6052002TP	SCREW M5 L=20				1
32	E1902172000	INSERT CARRIAGE BUSH				4
33	40115207	BUSH STOPPER R				2
34	40115208	BUSH STOPPER L				2
35	SM6040860TP	SCREW M4 L=8				4
36	E1902172000	INSERT CARRIAGE BUSH				4
37	RC1951211KP	C-RING				4
38	40114420	X SENSOR ASM				1
39	SM4030801SC	SCREW M3X0.5 L=8				1
40	40115215	X SENSOR BRACKET				1
41	SM6040802TP	SCREW M4X0.7 L=8				2
42	WP0450801SP	WASHER				2
43	HX001500000	CLIP				1
44	SL4040891SC	SCREW M4 L=8				1
45	SL6041492TN	SCREW				4
46	SM6040602TP	SCREW M4 L=6				2
47	EA9500B0100	CABLE BAND				2

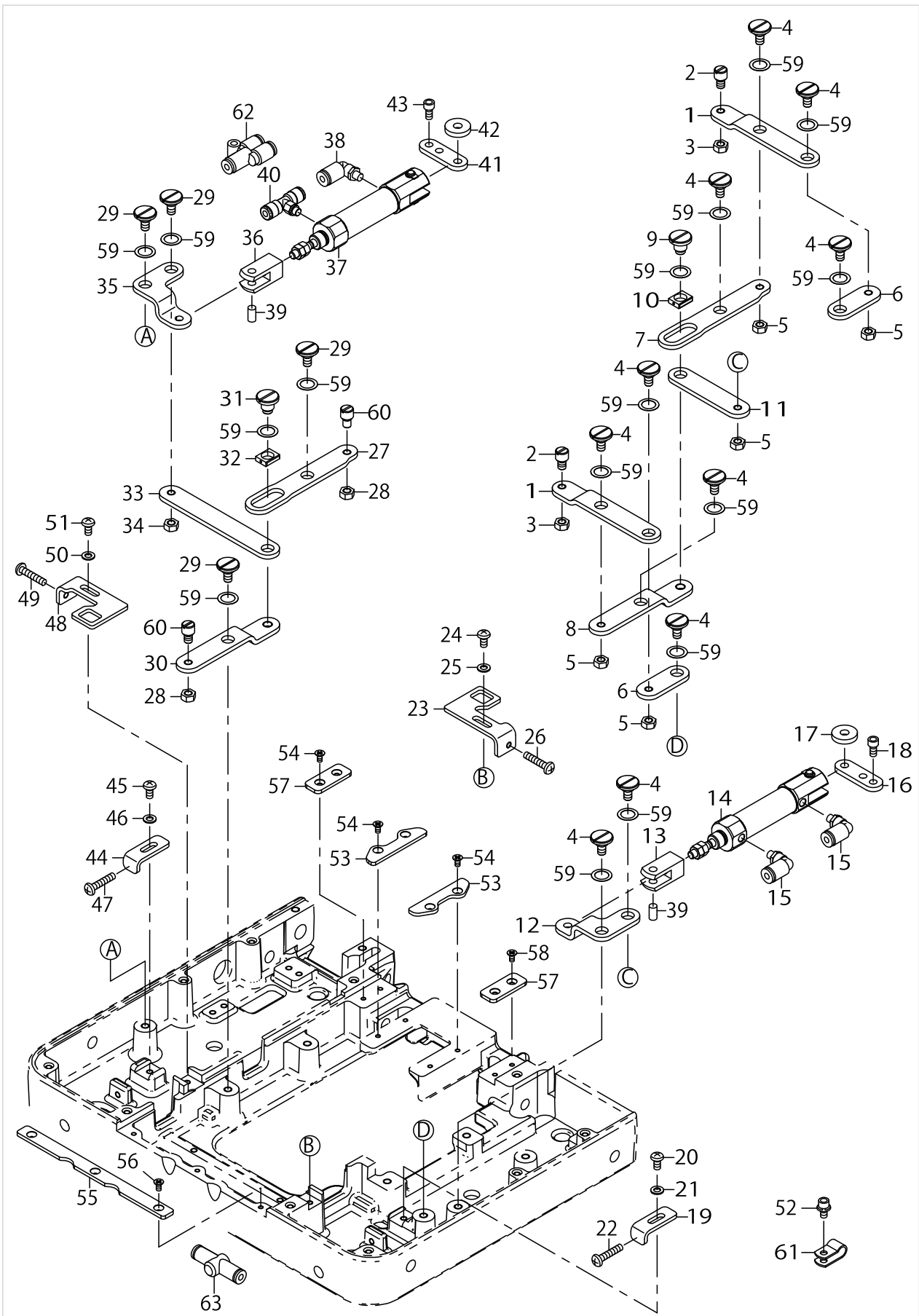
FEED COMPONENTS



FEED COMPONENTS

No.	Parts No.	Parts name	Remarks	Level	Cons	Qty
48	SL6041492TN	SCREW				4
49	SB408000100	BEARING				1
50	26501502	Y FEED GEAR				1
51	SM8060602TP	SCREW M6X6				2
52	40115209	METAL				1
53	40115210	METAL				1
54	40115211	VERTICAL FEED SHAFT				1
55	40115212	VERTICAL FEED FIXING PLATE				1
56	40115213	BUSH BRACKET				1
57	SM6061202TP	SCREW M6 L=12				2
58	WS0610002KN	SPRING WASHER 6.1X12.2X1.5				2
59	WP0641601SD	WASHER M6				2
60	WP0621016SH	WASHER				1
61	SM6061202TP	SCREW M6 L=12				1
62	SB710000200	SLIDE BEARING				1
63	RC1900001KP	C-RING				2
64	40115214	PARALLEL SHAFT				1
65	SM8050612TP	SCREW M5X6				2
66	40114421	Y SENSOR ASM				1
67	SM4030801SC	SCREW M3X0.5 L=8				1
68	40115216	Y SENSOR BASE				1
69	SM5041055SN	SCREW M4X10				2
70	HX001500000	CLIP				1
71	SL4040891SC	SCREW M4 L=8				1
72	EA9500B0000	CABLE BAND				2
73	40115217	CLOTH FEED BASE				1
74	40115219	TUBE BRACKET				1

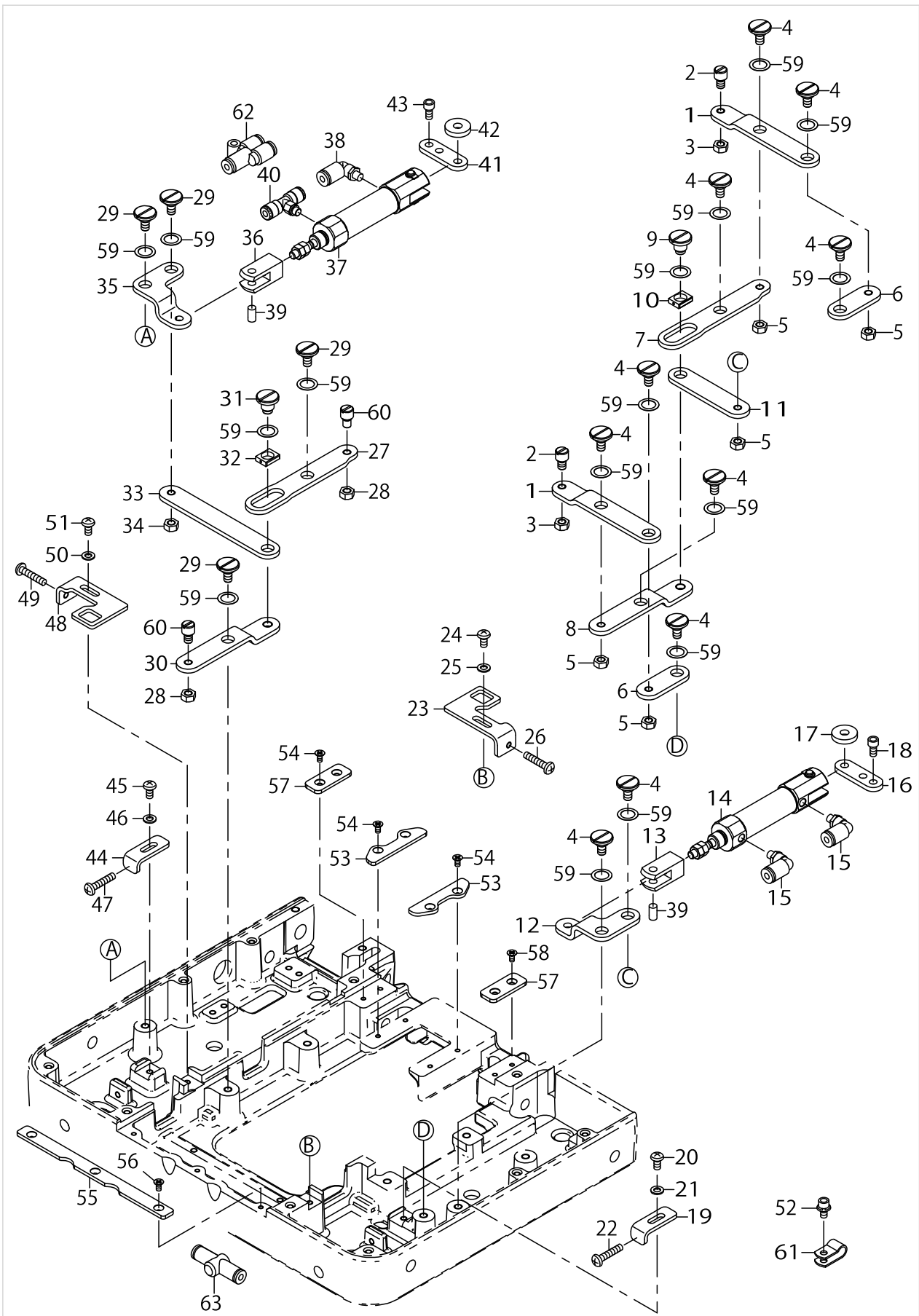
CLOTH OPEN COMPONENTS



CLOTH OPEN COMPONENTS

No.	Parts No.	Parts name	Remarks	Level	Cons	Qty
1	40115227	CLOTH OPEN LINK G				2
2	40115228	HOLDING PIN				2
3	NM6050001SC	NUT M5X0.8 TYPE1				2
4	SD0800327TP	SHOULDER SCREW				10
5	NM6050001SC	NUT M5X0.8 TYPE1				5
6	40115229	CLOTH OPEN LINK F				2
7	40115230	CLOTH OPEN LINK A				1
8	40115231	CLOTH OPEN LINK B				1
9	SD0800656TP	SHOULDER SCREW				1
10	40030628	SLIDE BLOCK A				1
11	40115232	CLOTH OPEN LINK C				1
12	40115233	CLOTH OPEN LINK D				1
13	PX500020000	KNUCKLE JOINT				1
14	PA1602013A0	AIR CYLINDER				1
15	PJ304040504	ELBOW UNION				2
16	32012205	CYLINDER BRACKET				1
17	WP0553216SD	WASHER				1
18	SM6040802TP	SCREW M4X0.7 L=8				2
19	40115234	OPEN SIDE STPPER				1
20	SM4040855SP	SCREW				1
21	WP0430800SC	WASHER M4				1
22	SM4042055SP	SCREW				1
23	40115235	CLOSE SIDE STPPER				1
24	SM4040855SP	SCREW				1
25	WP0430800SC	WASHER M4				1
26	SM4042055SP	SCREW				1
27	40115230	CLOTH OPEN LINK A				1
28	NM6050001SC	NUT M5X0.8 TYPE1				2
29	SD0800327TP	SHOULDER SCREW				4
30	40115231	CLOTH OPEN LINK B				1
31	SD0800656TP	SHOULDER SCREW				1
32	40030628	SLIDE BLOCK A				1
33	40115236	CLOTH OPEN LINK H				1
34	NM6050001SC	NUT M5X0.8 TYPE1				1
35	40115237	CLOTH OPEN LINK E				1
36	PX500020000	KNUCKLE JOINT				1
37	PA1602013A0	AIR CYLINDER				1
38	PJ304040504	ELBOW UNION				1
39	40120491	KNUCKLE PIN				2
40	PJ305040502	T-UNION				1
41	32012205	CYLINDER BRACKET				1
42	WP0553216SD	WASHER				1
43	SM6040802TP	SCREW M4X0.7 L=8				2
44	40115234	OPEN SIDE STPPER				1
45	SM4040855SP	SCREW				1
46	WP0430800SC	WASHER M4				1
47	SM4042055SP	SCREW				1

CLOTH OPEN COMPONENTS

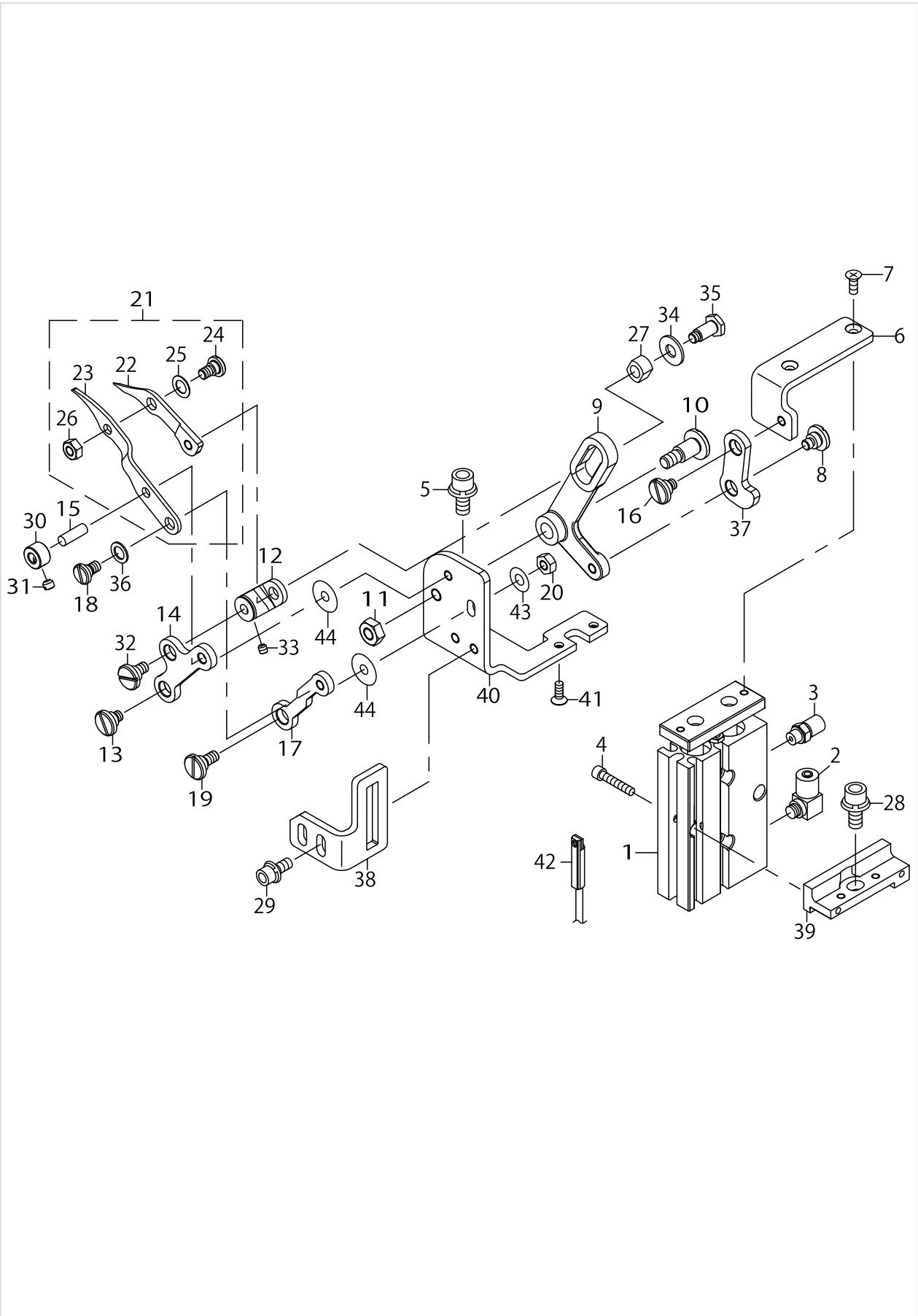


CLOTH OPEN COMPONENTS

No.	Parts No.	Parts name	Remarks	Level	Cons	Qty
48	40115235	CLOSE SIDE STPPER				1
49	SM4042055SP	SCREW				1
50	WP0430800SC	WASHER M4				1
51	SM4040855SP	SCREW				1
52	SL6040892TN	BOLT				2
53	32012809	CLOTH OPEN HOLDING PLATE REAR				2
54	SM1030601SC	SCREW M3 L=6				4
55	32012601	HOLDING PLATE FRONT				1
56	SM1030601SC	SCREW M3 L=6				3
57	32012700	HOLDING PLATE MID				2
58	SM1030601SC	SCREW M3 L=6				4
59	WZ0880200KP	WAVED WASHER				16
60	40115228	HOLDING PIN				2
61	HX00150000B	CABLE CLIP				2
62	PJ308040002	QUICK COUPLING				1
63	PV010015000	QUICK EXHAUST VALVE				1



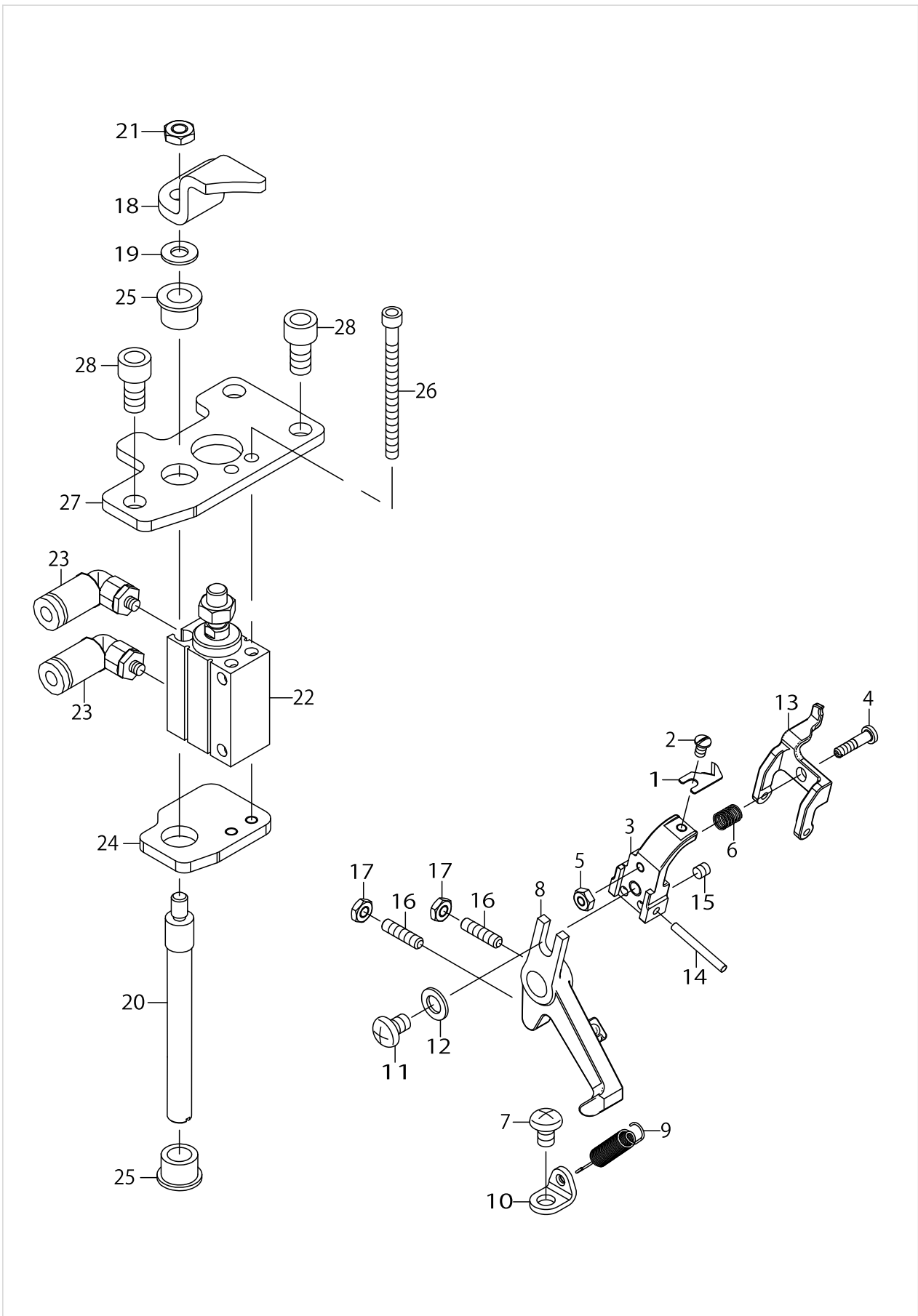
LOWER THREAD CUTTING COMPONENTS (TYPE 01)



LOWER THREAD CUTTING COMPONENTS (TYPE 01)

No.	Parts No.	Parts name	Remarks	Level	Cons	Qty
1	PA100201300	AIR CYLINDER				1
2	PJ046054002	HOSE ELBOW				1
3	PJ032052503	HOSE NIPPLE				1
4	SM6031602TP	SCREW				2
5	SL6051292TN	BOLT				1
6	40115249	CONNECTING PLATE				1
7	SM1030801SP	SCREW M3X0.5 L=8				2
8	40115251	SHOULDER SCREW				1
9	40115252	CUTTING LEVER				1
10	40115254	SHOULDER SCREW				1
11	NM6050001SP	NUT M5				1
12	40115255	FIXING KNIFE GUIDE				1
13	40115251	SHOULDER SCREW				1
14	40115256	MOVING KNIFE LINK 1				1
15	13149901	PIN				1
16	40115251	SHOULDER SCREW				1
17	40115257	MOVING KNIFE LINK 2				1
18	40115258	SHOULDER SCREW				1
19	40115259	SHOULDER SCREW				1
20	NM6040001SP	NUT M4X0.7				1
21	40115260	KNIFE ASSY				1
22	40115261	MOVING KNIFE		*	☆	1
23	40115262	FIXING KNIFE		*	☆	1
24	40115258	SHOULDER SCREW		*		1
25	WZ0541510KP	WAVED WASHER 5.4X9.0X0.3		*		1
26	NM6040001SP	NUT M4X0.7		*		1
27	40115263	SQURE BLOCK				1
28	SL6051692TN	BOLT				1
29	SL6041092TN	SCREW				2
30	13172903	COLLAR				1
31	SM8040360TP	SCREW				1
32	40115265	ECCENTRIC PIN				1
33	SM8030312TP	SCREW M3 L=3				1
34	B2107816000	WASHER				1
35	40115266	SHOULDER SCREW				1
36	40115272	THRUST WASHER				1
37	40115267	CONNECT LINK				1
38	40115268	STOPPER				1
39	40115269	CYLINDER BLOCK				1
40	40115271	LOWER THREAD CUTTING BASE				1
41	SM1030801SP	SCREW M3X0.5 L=8				2
42	40114425	LT SENSOR ASM				1
43	WP0450801SD	WASHER 4.5X10X0.8				1
44	40126835	WASHER				2

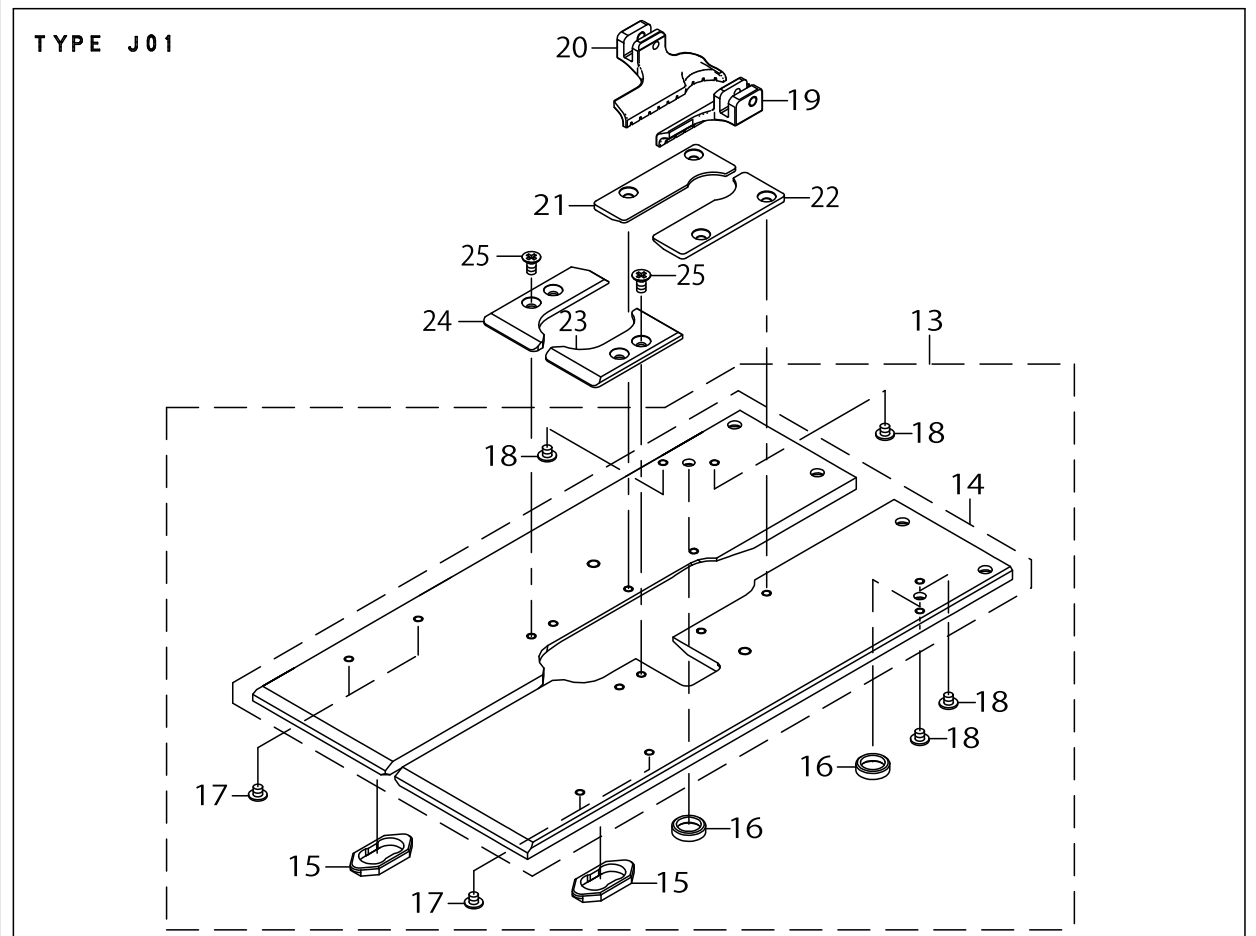
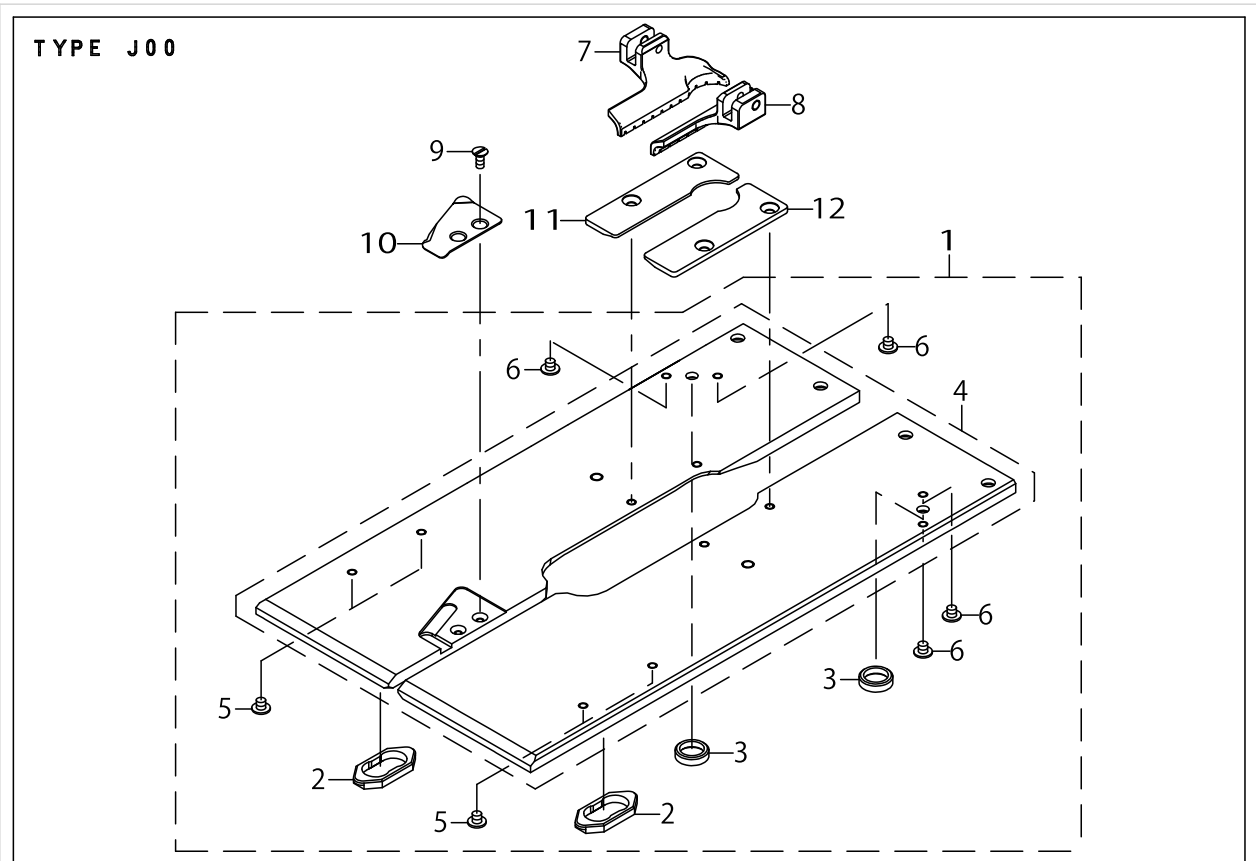
# UPPER THREAD CUTTING COMPONENTS



UPPER THREAD CUTTING COMPONENTS

No.	Parts No.	Parts name	Remarks	Level	Cons	Qty
1	40115277	TRIMMER KNIFE			☆	1
2	SM5850460SP	SCREW				1
3	40115278	KNIFE BASE				1
4	40115280	STOPPER PIN	TYPE 01			1
5	NM6850001SC	NUT M2.5X0.45 TYPE1	TYPE 01			1
6	40115282	THREAD HOLDER SPRING	TYPE 01			1
7	SM4040655SP	SCREW M4 L=6				1
8	40115283	KNIFE ARM				1
9	40115284	KNIFE SPRING				1
10	40115285	SPRING BRACKET				1
11	SM4040655SP	SCREW M4 L=6				1
12	WP0480856SP	WASHER 4.8X8.4X0.8				1
13	40115286	LOWER THREAD HOLDER	TYPE 01			1
14	40115288	PIN	TYPE 01			1
15	SM8030312TP	SCREW M3 L=3	TYPE 01			2
16	SM8031212TP	SCREW				2
17	NM6030003SC	NUT M3				2
18	40115289	KNIFE DRIVER ARM				1
19	WP0430801SC	WASHER M4				1
20	40115290	KNIFE DRIVE SHAFT				1
21	NM6040003SC	NUT M4				1
22	PA100153400	AIR CYLINDER				1
23	PJ304040301	UNION ELBOW M3				2
24	40115291	METAL BASE				1
25	G6013880000	LINK SHAFT HOLDER				2
26	SM6034002TN	SCREW				2
27	40115292	CYLINDER BASE				1
28	SM6051002TP	SCREW M5X0.8 L=10				3

PRESSER COMPONENTS (1)

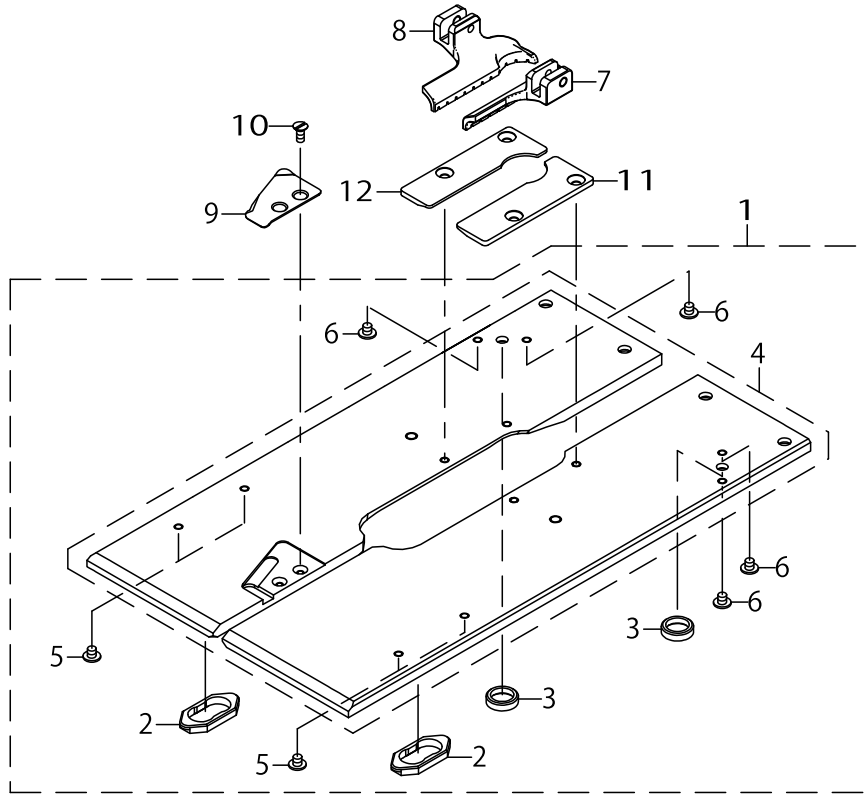


PRESSER COMPONENTS (1)

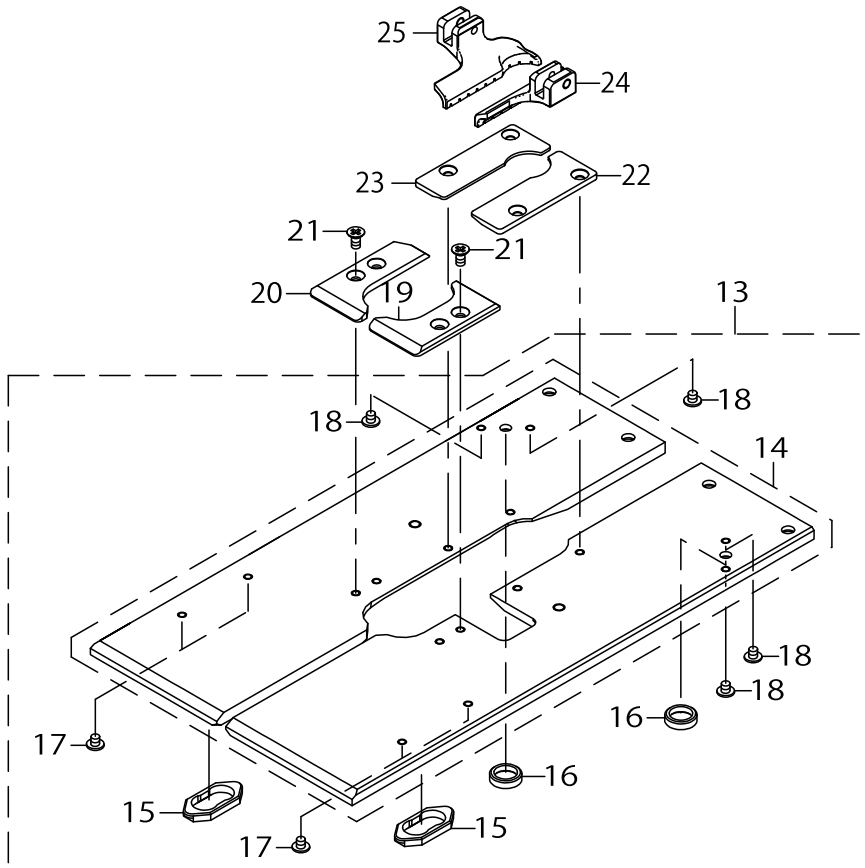
No.	Parts No.	Parts name	Remarks	Level	Cons	Qty
1	40153639	PRESSER PLATE 00 ASM				1
2	40153647	PRESSER PLATE BUSHING B		*		2
3	40115307	PRESSER PLATE BUSHING A		*		2
4	40153640	PRESSER PLATE 00		*		1
5	SM0030301SN	SCREW		*		4
6	SM0030301SN	SCREW		*		4
7	40115239	PRESSER FOOT L				1
8	40115238	PRESSER FOOT R				1
9	SM1850600SP	SCREW				2
10	40115321	THREAD CUTTER				1
11	32027104	HOLDING PLATE LEFTT				1
12	32027005	HOLDING PLATE RIGHT				1
13	40153643	PRESSER PLATE 01 ASM				1
14	40153644	PRESSER PLATE 01		*		1
15	40153647	PRESSER PLATE BUSHING B		*		2
16	40115307	PRESSER PLATE BUSHING A		*		2
17	SM0030301SN	SCREW		*		4
18	SM0030301SN	SCREW		*		4
19	40115240	PRESSER FOOT R 34				1
20	40115241	PRESSER FOOT L 34				1
21	40115323	HOLDING PLATE LEFT				1
22	40115322	HOLDING PLATE PIGHT				1
23	40115326	KNIFE PLATE RIGHT M				1
24	40115327	KNIFE PLATE LEFT M				1
25	SM1030601SP	SCREW M3 L=6				4

PRESSER COMPONENTS (2)

TYPE C00



TYPE C01

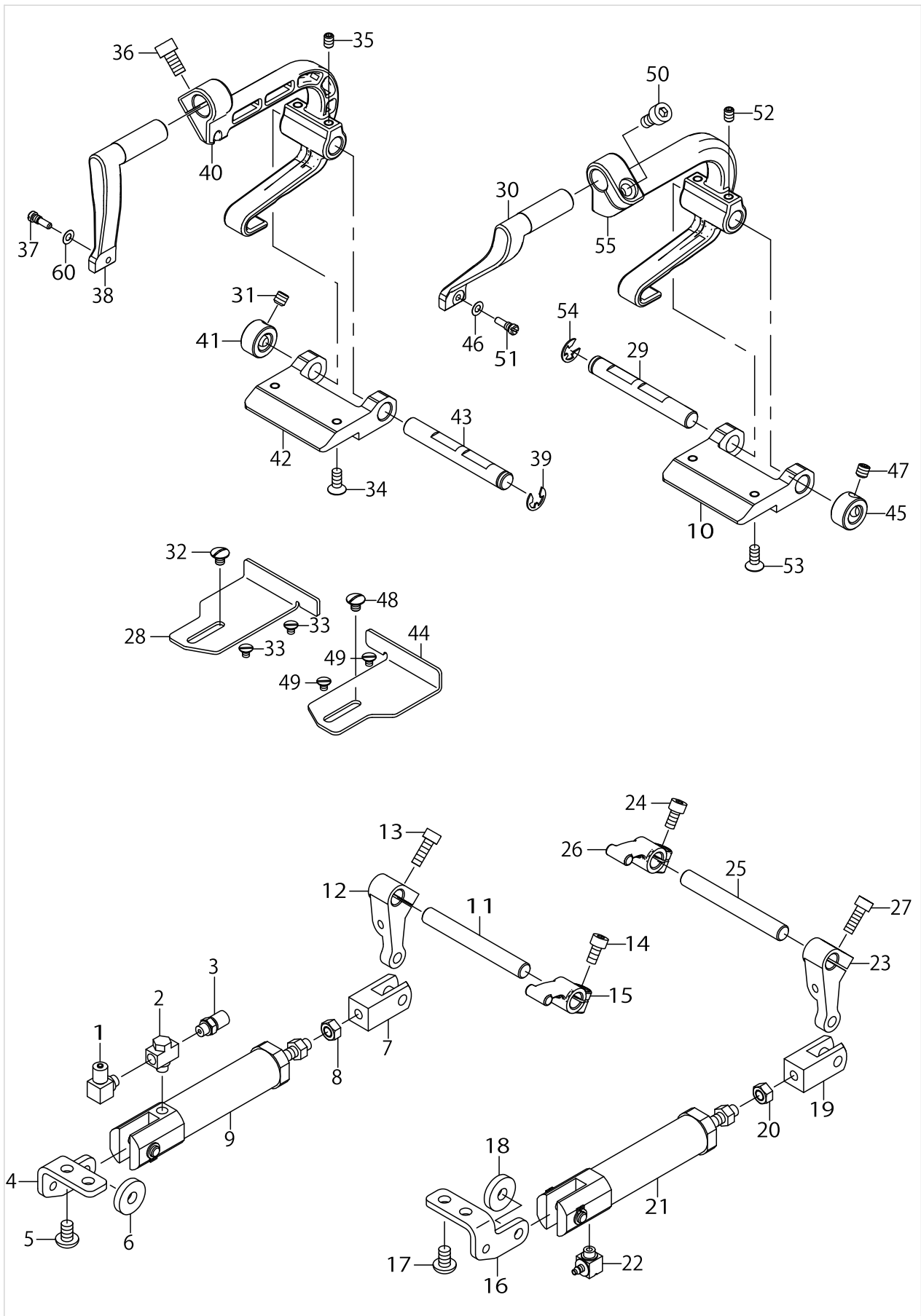


PRESSER COMPONENTS (2)

No.	Parts No.	Parts name	Remarks	Level	Cons	Qty
1	40153639	PRESSER PLATE 00 ASM				1
2	40153647	PRESSER PLATE BUSHING B		*		2
3	40115307	PRESSER PLATE BUSHING A		*		2
4	40153640	PRESSER PLATE 00		*		1
5	SM0030301SN	SCREW		*		4
6	SM0030301SN	SCREW		*		4
7	40115316	PRESSER FOOT R				1
8	40115309	PRESSER FOOT L				1
9	40115321	THREAD CUTTER				1
10	SM1850600SP	SCREW				2
11	32027005	HOLDING PLATE RIGHT				1
12	32027104	HOLDING PLATE LEFTT				1
13	40153643	PRESSER PLATE 01 ASM				1
14	40153644	PRESSER PLATE 01		*		1
15	40153647	PRESSER PLATE BUSHING B		*		2
16	40115307	PRESSER PLATE BUSHING A		*		2
17	SM0030301SN	SCREW		*		4
18	SM0030301SN	SCREW		*		4
19	40115326	KNIFE PLATE RIGHT M				1
20	40115327	KNIFE PLATE LEFT M				1
21	SM1030601SP	SCREW M3 L=6				4
22	40115322	HOLDING PLATE PIGHT				1
23	40115323	HOLDING PLATE LEFT				1
24	40115324	PRESSER FOOT R 34				1
25	40115325	PRESSER FOOT L 34				1



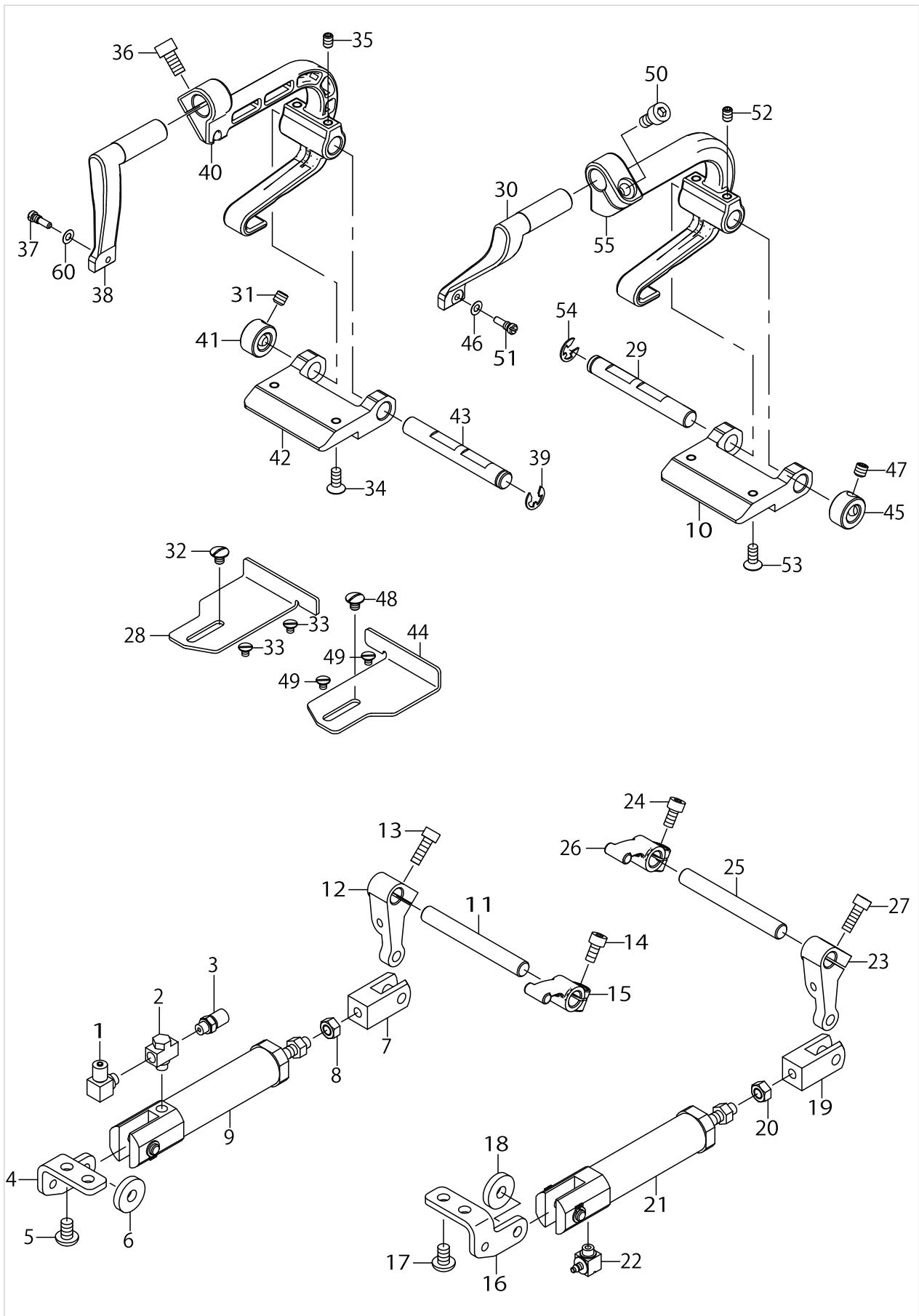
PRESSER COMPONENTS (COMMON)



PRESSER COMPONENTS (COMMON)

No.	Parts No.	Parts name	Remarks	Level	Cons	Qty
1	PJ046052503	HOSE ELBOW				1
2	G5681116000	UNIVERSAL TEE				1
3	PJ032052503	HOSE NIPPLE				1
4	40115302	CYLINDER BRACKET L				1
5	SM4050855SP	SCREW				2
6	WP0553216SD	WASHER				1
7	PX500020000	KNUCKLE JOINT				1
8	NM6050001SC	NUT M5X0.8 TYPE1				1
9	PA1602011A0	AIR CYLINDER				1
10	40115330	ARM INSTALLING BASE				1
11	32027401	PRESSER LEVER SHAFT				1
12	32027203	PRESSER LEVER MOVING ARM				1
13	SM6041202TP	SCREW M4X0.7 L=12				1
14	SM6040802TP	SCREW M4X0.7 L=8				1
15	40115303	PRESSER LEVER B				1
16	40115304	CYLINDER BRACKET R				1
17	SM4050855SP	SCREW				2
18	WP0553216SD	WASHER				1
19	PX500020000	KNUCKLE JOINT				1
20	NM6050001SC	NUT M5X0.8 TYPE1				1
21	PA1602011A0	AIR CYLINDER				1
22	PJ046052501	ELBOW				1
23	32027203	PRESSER LEVER MOVING ARM				1
24	SM6040802TP	SCREW M4X0.7 L=8				1
25	32027401	PRESSER LEVER SHAFT				1
26	40115303	PRESSER LEVER B				1
27	SM6041202TP	SCREW M4X0.7 L=12				1
28	40115305	VERTICAL GUIDE LEFT				1
29	40115313	FULCRUM SHAFT				1
30	40115318	PRESSER ARM RIGHT				1
31	SM8050512TP	SCREW				2
32	SM5040550TP	SCREW M4 L=5				1
33	SM1030400SP	SCREW M3 L=4				2
34	SM1041001SP	SCREW M4X0.7 L=10				2
35	SM8040612TP	SCREW M4 L=6				2
36	SM6051002TN	BOLT				1
37	14010508	PRESSER FOOT ATTACHING SCREW				1
38	40115310	PRESSER ARM LEFT				1
39	RE0500000KP	E-RING 5				1
40	40115311	PRESSER ARM BASE LEFT				1
41	CS0800881TP	THRUST COLLAR				1
42	40115330	ARM INSTALLING BASE				1
43	40115313	FULCRUM SHAFT				1
44	40115314	VERTICAL GUIDE RIGHT				1
45	CS0800881TP	THRUST COLLAR				1
46	WZ0320290UZ	WASHER 3.2X6.5X0.15				2
47	SM8050512TP	SCREW				2

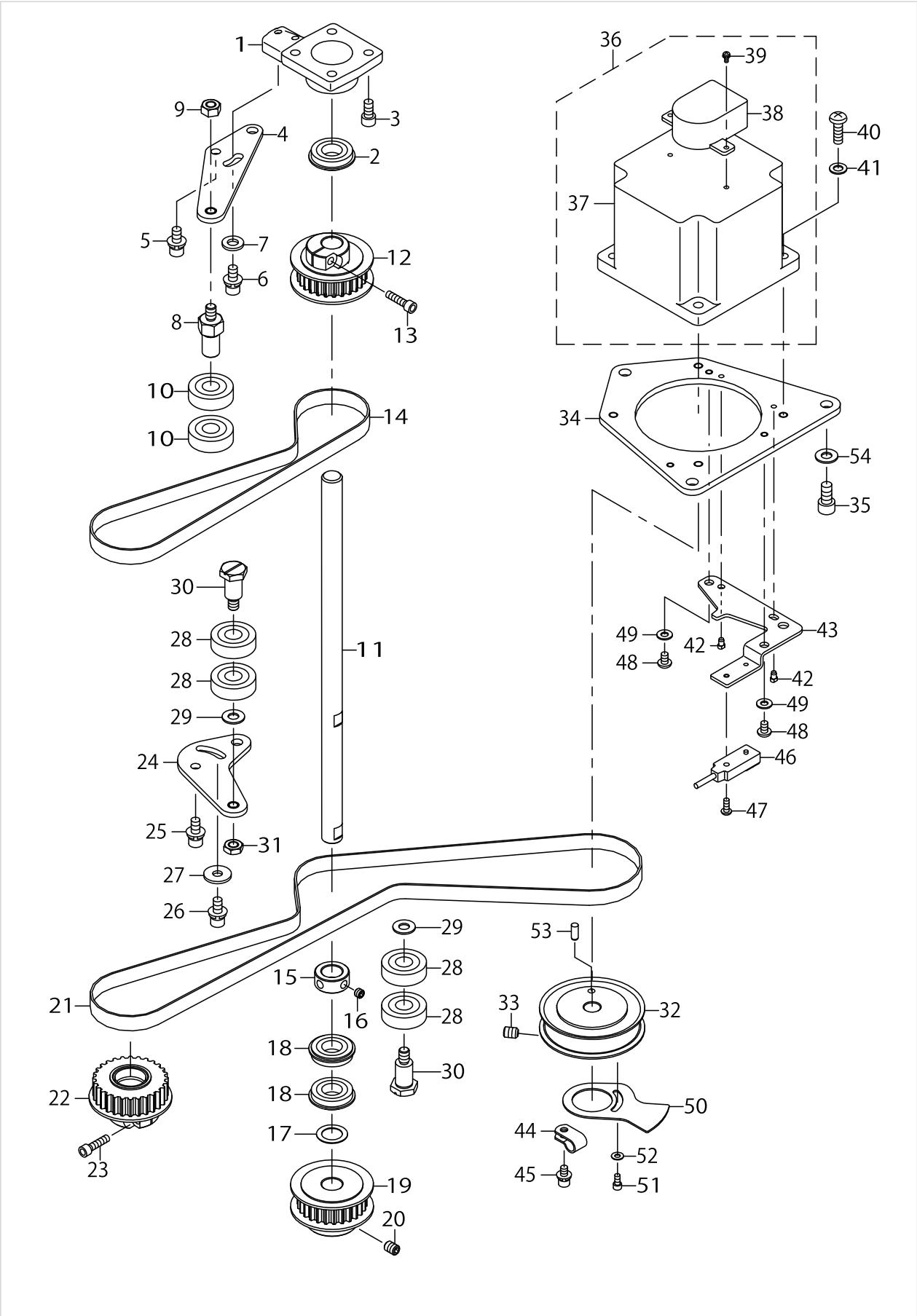
PRESSER COMPONENTS (COMMON)



PRESSER COMPONENTS (COMMON)

No.	Parts No.	Parts name	Remarks	Level	Cons	Qty
48	SM5040550TP	SCREW M4 L=5				1
49	SM1030400SP	SCREW M3 L=4				2
50	SM6051002TN	BOLT				1
51	14010508	PRESSER FOOT ATTACHING SCREW				1
52	SM8040612TP	SCREW M4 L=6				2
53	SM1041001SP	SCREW M4X0.7 L=10				2
54	RE0500000KP	E-RING 5				1
55	40115317	PRESSER ARM BASE RIGHT				1

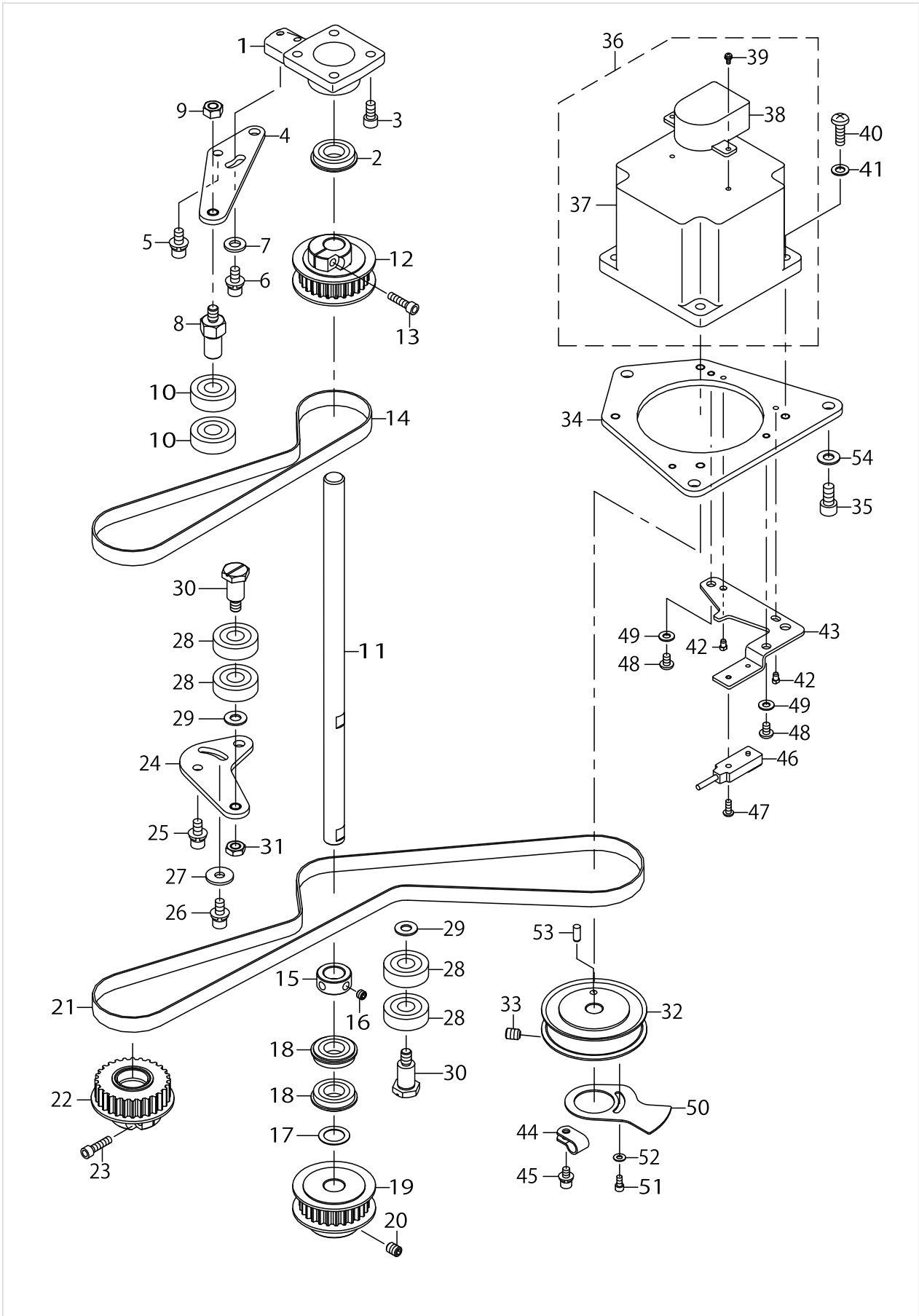
REVOLUTION COMPONENTS



REVOLUTION COMPONENTS

No.	Parts No.	Parts name	Remarks	Level	Cons	Qty
1	40115337	CONNECTING SHAFT BLACKET				1
2	SB112001800	BEARING				1
3	SM6051002TN	BOLT				4
4	40115338	TENSION PULLEY BRACKET U				1
5	SL6051292TN	BOLT				1
6	SL6051242TN	SCREW				1
7	WP0561616SC	WASHER 5.6X16X1.6				1
8	40115339	TENSION PULLEY BRACKET PIN				1
9	NM6060001SE	NUT M6				1
10	SB110000400	BALL BEARING				2
11	40115340	CONNECTING SHAFT				1
12	40115341	REVOLUTION PULLEY U				1
13	SM6041602TP	SCREW M4X0.7 L=16				1
14	40115342	TIMING BELT U			☆	1
15	CS1200981TP	THRUST COLLAR D=12 W=9				1
16	SM8050412TP	SCREW M5 L=4				2
17	E2066715000	BU SPACER				1
18	SB112001800	BEARING				2
19	40115343	REVOLUTION PULLEY L				1
20	SM8060812TP	SCREW M6 L=8				2
21	40115344	TIMING BELT L			☆	1
22	40115345	LOOPER REVOLUTION PULLEY				1
23	SM6041602TP	SCREW M4X0.7 L=16				1
24	40115346	TENSION PULLEY BRACKET L				1
25	SL6051292TN	BOLT				1
26	SL6051242TN	SCREW				1
27	WP0561616SC	WASHER 5.6X16X1.6				1
28	SB110000400	BALL BEARING				4
29	WP0621016SD	WASHER 6.2X13X1				2
30	SD1001526TP	SHOULDER SCREW				2
31	NM6060003SE	NUT FOR BRACKET				1
32	32034308	REVOLUTION MOTOR PULLEY				1
33	SM8060812TP	SCREW M6 L=8				2
34	40115347	MOTOR BRACKET				1
35	SM6061202TP	SCREW M6 L=12				3
36	40134502	ENCODER MOTOR ASM(R)				1
37	40136295	STEPPING MOTOR		*		1
38	HD002780000	SENSOR		*		1
39	SL4020591SC	SCREW M2X5		*		2
40	SM4051655SP	SCREW M5 L=16				4
41	WP0550800SP	WASHER 5.5X10X0.8				4
42	B1816280000	GUIDE PIN				2
43	40115348	SENCER BRACKET				1
44	HX001500000	CLIP				1
45	SL6040892TN	BOLT				1
46	40114423	R SENSOR ASM				1
47	SM4030801SC	SCREW M3X0.5 L=8				1

REVOLUTION COMPONENTS

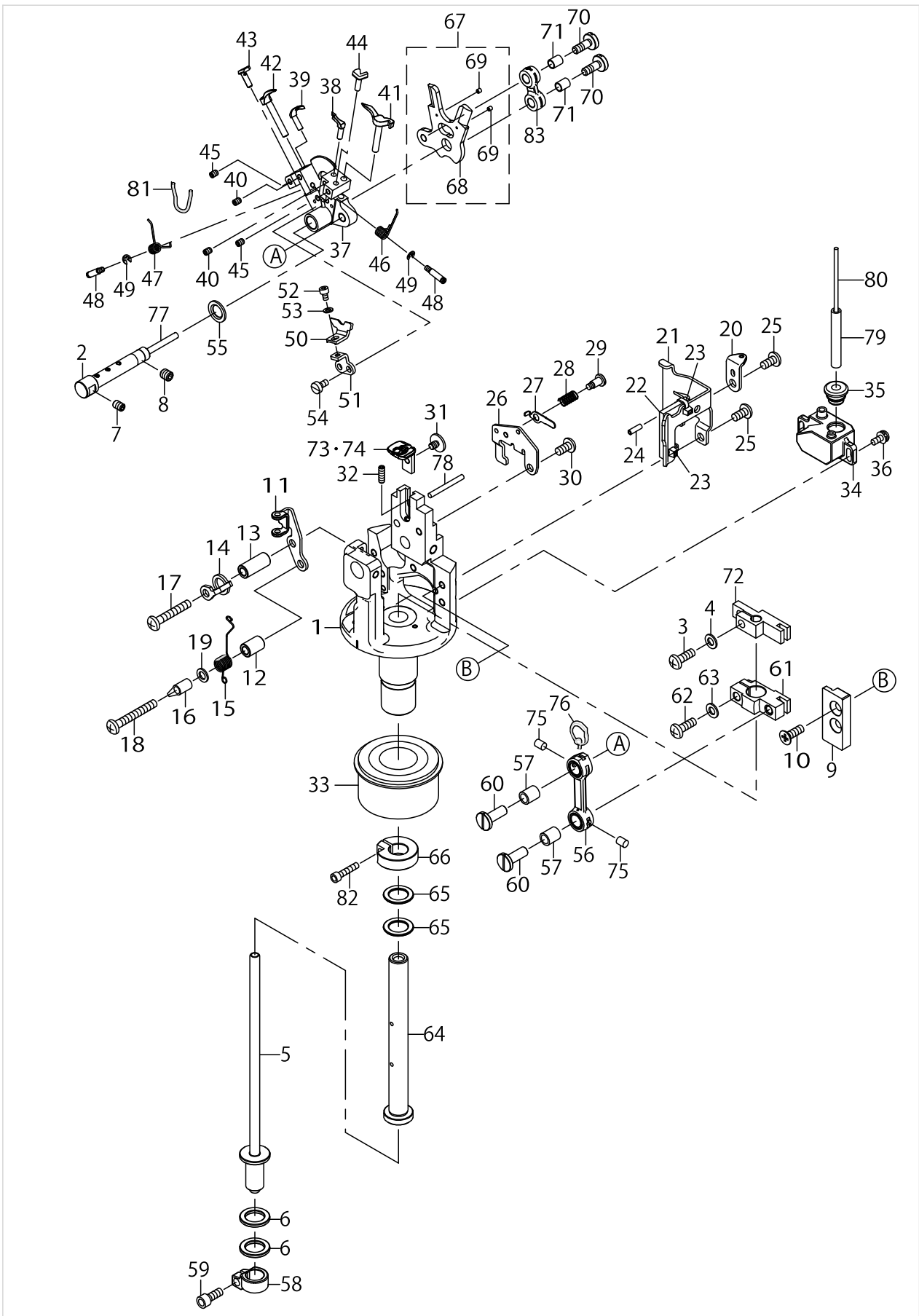


REVOLUTION COMPONENTS

No.	Parts No.	Parts name	Remarks	Level	Cons	Qty
48	SM4040655SP	SCREW M4 L=6				2
49	WP0430801SC	WASHER M4				2
50	40115349	SENSOR SLIT				1
51	SM6030602TP	SCREW M3X0.5 L=6				2
52	WP0320501SC	WASHER M3				2
53	PH0400105S0	PIN 4.0X10				1
54	WP0621016SD	WASHER 6.2X13X1				3



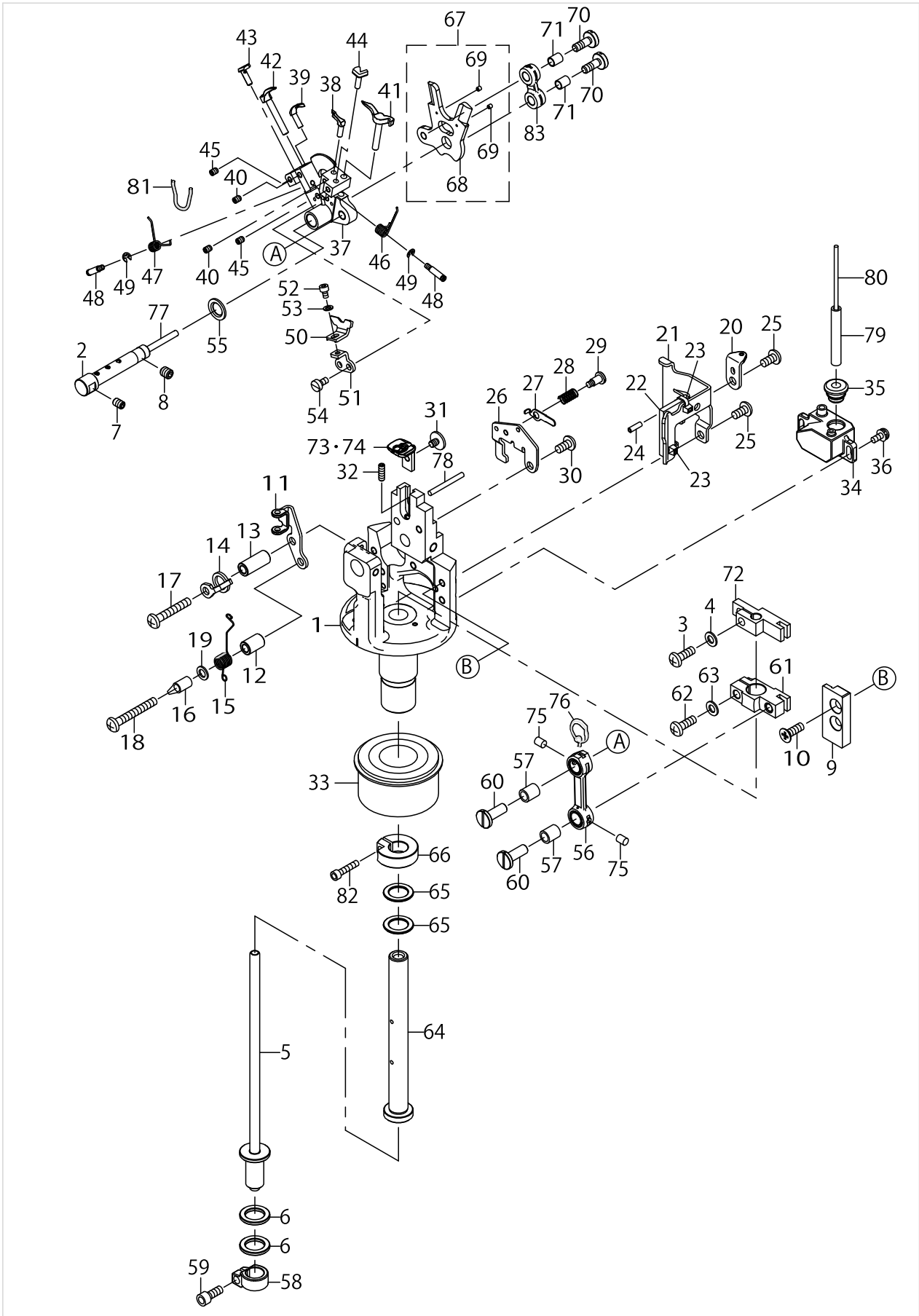
# LOOPER DRIVING COMPONENTS



LOOPER DRIVING COMPONENTS

No.	Parts No.	Parts name	Remarks	Level	Cons	Qty
1	40144291	LOOPER_BRACKET				1
2	40115365	FULCRUM SHAFT				1
3	SM4041055SP	SCREW				1
4	WP0430800SD	WASHER M4				1
5	40115397	SPREADER SHAFT ASM				1
6	10112704	THRUST WASHER 1.8				2
7	SM8040612TP	SCREW M4 L=6				1
8	SM80506A2TP	SCREW M5 L=6				1
9	40115366	SLIDE GUIDE				1
10	SM1041201SC	SCREW M4 L=12				2
11	40115367	LOWER THREAD GUIDE				1
12	40115368	COLLAR				1
13	40115369	COLLAR				1
14	40115370	SPRING STOPPER				1
15	32052409	THREAD TAKE-UP SPRING			☆	1
16	14045306	ADJUST PIN				1
17	SM4042555SP	SCREW M4 L=25				1
18	SM4043055SP	SCREW M4 L=30				1
19	WP0450846SP	WASHER				1
20	40115371	GIMP GUIDE B				1
21	40115400	GIMP GUARD				1
22	40115401	LOOPER ROD FELT				1
23	EA9500B0000	CABLE BAND				2
24	PS0250082KP	SPRING PIN 2.5X8				1
25	SM4040855SP	SCREW				2
26	40115372	GIMP GUIDE A				1
27	32040305	PRESSER PLATE				1
28	B1135850000	TENSION SPRING (A)				1
29	14044903	SCREW				1
30	SM4040855SP	SCREW				1
31	40115373	SCREW				1
32	SM8031002TP	SCREW				1
33	SB120003100	BEARING				1
34	40115402	OIL TANK				1
35	40006840	RUBBER BUSH				1
36	SL4030891SC	SCREW M3X8				2
37	40115374	LOOPER BASE			☆	1
38	40115375	LOOPER RIGHT			☆	1
39	40115376	LOOPER LEFT			☆	1
40	SM8030412TP	SCREW				2
41	40115377	SPREADER RIGHT			☆	1
42	40115378	SPREADER LEFT			☆	1
43	40015692	SPREADER STOPPER LEFT			☆	1
44	40015693	SPREADER STOPPER RIGHT			☆	1
45	SM8030412TP	SCREW				2
46	40115380	SPREADER SPRING RIGHT			☆	1
47	40115379	SPREADER SPRING LEFT			☆	1

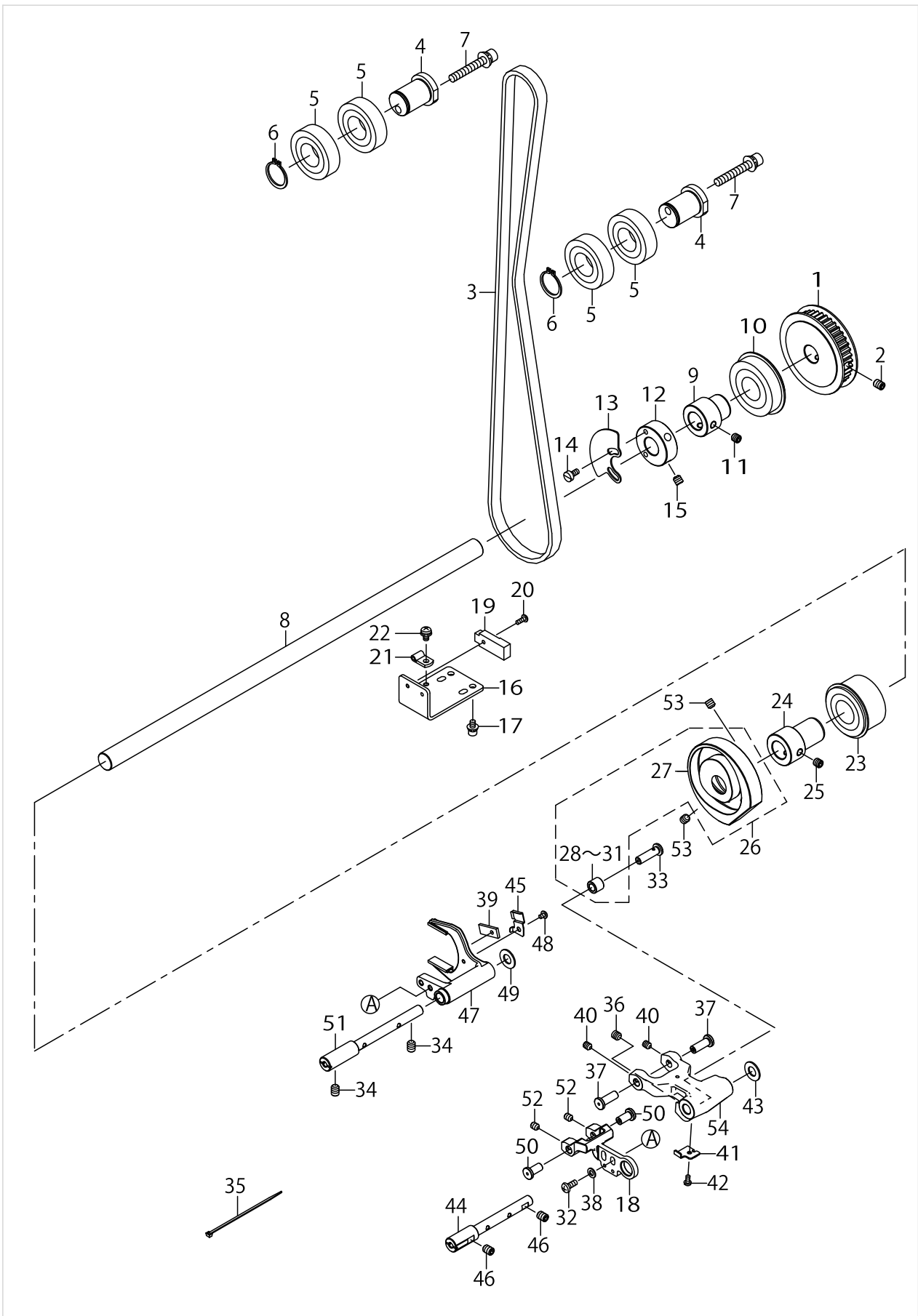
LOOPER DRIVING COMPONENTS



LOOPER DRIVING COMPONENTS

No.	Parts No.	Parts name	Remarks	Level	Cons	Qty
48	40115381	SPRING GUIDE PIN			☆	2
49	RE0200000K0	E-RING 2				2
50	40115382	NEEDLE GUARD			☆	1
51	40115383	NEEDLE GUARD SUPPORT				1
52	SM6850402TN	BOLT M2.5 L=4				1
53	WP0280500SC	WASHER				1
54	SM6030600SP	SCREW M3X0.5 L=6				2
55	B4328220000	WASHER				1
56	40115384	LOOPER ROD ASM				1
57	40115387	LOOPER ROD BUSHING				2
58	14028708	LOOPER DRIVING SHAFT COLLAR				1
59	SM6041002TP	SCREW M4 L=10				1
60	40115388	LOOPER ROD SCREW				2
61	40115389	LOOPER SHAFT GUIDE				1
62	SM4041255SP	SCREW M4 L=12				1
63	WP0430800SD	WASHER M4				1
64	40115390	LOOPER SHAFT				1
65	10109700	THRUST WASHER A				2
66	40115391	SET COLLAR				1
67	40149782	SPREADER_DRIVING_CAM_ASM			☆	1
68	40149783	SPREADER_DRIVING_CAM		*		1
69	B1821210D00	SHUTTLE OIL FELT B		*		2
70	40115395	SPREADER ROD SCREW				2
71	14030001	LOOPER DRIVE BUSHING				2
72	40115396	SPREADER SHAFT GUIDE				1
73	40115405	NEEDLE PLATE B00	TYPE J00,C00			1
74	40115406	NEEDLE PLATE B01	TYPE J01,C01			1
75	B1820210D00	SHUTTLE OIL FELT A				2
76	CQ202000000	OIL WICK				0.08
77	CQ3500000F0	OIL FELT				0.024
78	CQ252200000	OIL WICK				0.045
79	23630007	TUBE				0.032
80	CQ200000000	OIL WICK				0.15
81	CQ200000000	OIL WICK				0.02
82	SM6031402TP	SCREW				1
83	40115394	SPREADER ROD				1

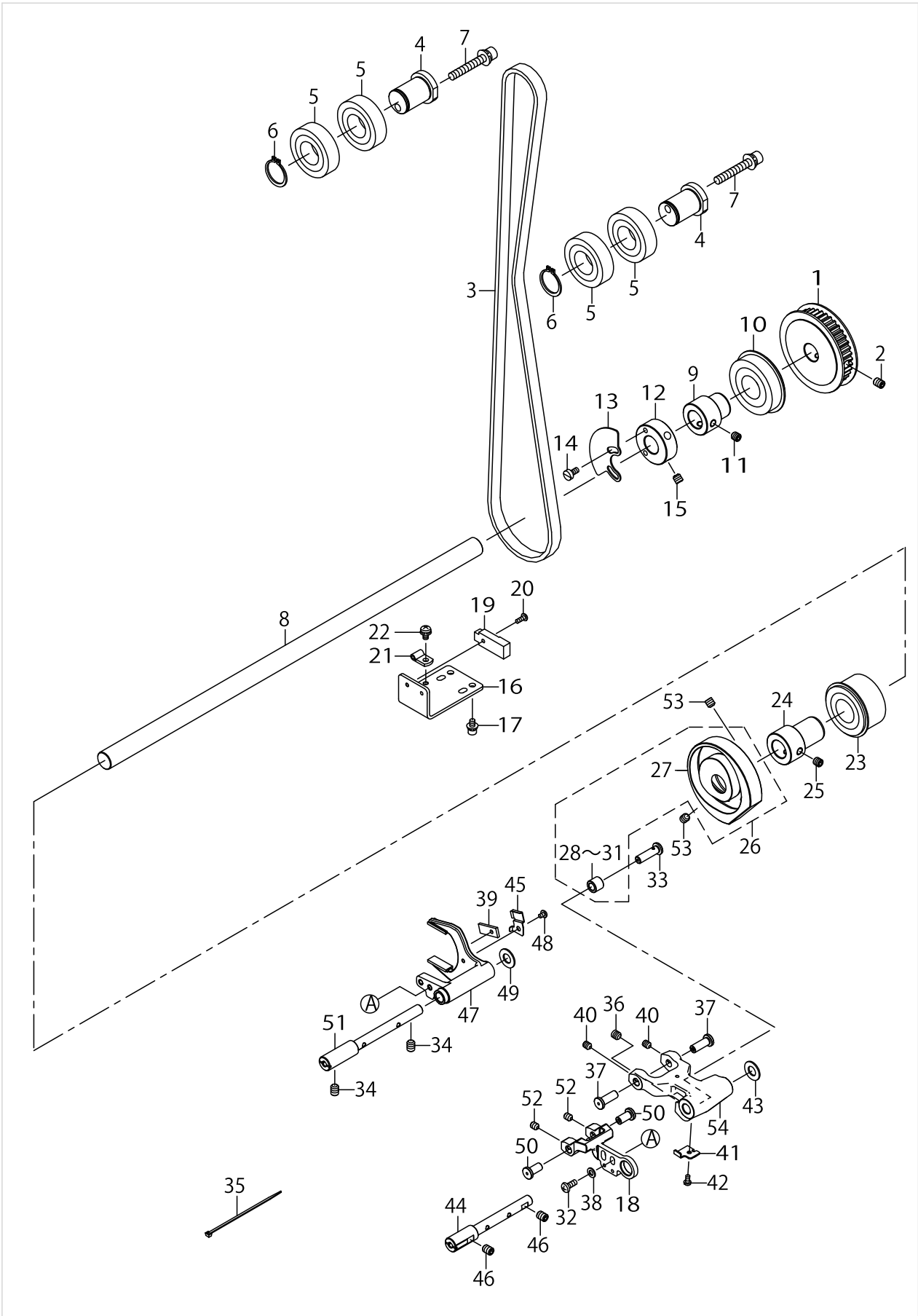
LOWER SHAFT COMPONENTS



LOWER SHAFT COMPONENTS

No.	Parts No.	Parts name	Remarks	Level	Cons	Qty
1	40170906	LOWER_SPROCKET				1
2	SM80508A2TP	SCREW M5 L=8				2
3	40115418	TIMING BELT			☆	1
4	40115419	TENSION PULLEY SHAFT				2
5	SB120000300	BEARING D=20X42				4
6	RC1850001KP	SNAP RING 18.5				2
7	SM6064002TP	SCREW M6 L=40				2
8	40115420	LOWER SHAFT				1
9	23604200	MAIN SHAFT BEARING SUPPORT				1
10	SB120002000	BEARING				1
11	SM8060612TP	SCREW M6 L=6				2
12	40115421	LOWER SHAFT SENSOR COLLAR				1
13	40115422	LOWER SHAFT SENSOR SLIT				1
14	SM6040800SP	SCREW				2
15	SM80606A2TP	SCREW M6 L=6				2
16	40115423	LOWER SHAFT SENSOR BRACKET				1
17	SL6040892TN	BOLT				2
18	40115439	SPREADER ARM B				1
19	40114424	IN SENSOR ASM				1
20	SM4030801SC	SCREW M3X0.5 L=8				1
21	HX001500000	CLIP				1
22	SL4040891SC	SCREW M4 L=8				1
23	SB120003100	BEARING				1
24	40115466	MAIN SHAFT BEARING SUPPORT				1
25	SM80606A2TP	SCREW M6 L=6				2
26	40115426	LOOPER DRIVING CAM ASM				1
27	40115427	LOOPER DRIVING CAM		*		1
28	40115430	CAM ROLLER A	SELECTIVE PARTS	*		1
29	40115431	CAM ROLLER B	SELECTIVE PARTS	*		1
30	40115432	CAM ROLLER C	SELECTIVE PARTS	*		1
31	40115433	CAM ROLLER D	SELECTIVE PARTS	*		1
32	SM4041055SP	SCREW				2
33	40115425	CAM ROLLER SHAFT				1
34	SM80608A2TP	SCREW M6 L=8				2
35	EA9500B0100	CABLE BAND				3
36	SM80606A2TP	SCREW M6 L=6				1
37	40115434	LOOPER FORK PIN				2
38	WP0430800SD	WASHER M4				2
39	40115440	SPREADER ARM FELT				1
40	SM80506A2TP	SCREW M5 L=6				2
41	40115435	LOOPER TUBE CLAMP				1
42	SM4030655SP	SCREW				1
43	13312202	THRUST WASHER				1
44	40115436	LOOPER ARM SHAFT				1
45	40115441	SPREADER FELT CLAMP				1
46	SM80608A2TP	SCREW M6 L=8				2
47	40115437	SPREADER ARM A				1

LOWER SHAFT COMPONENTS

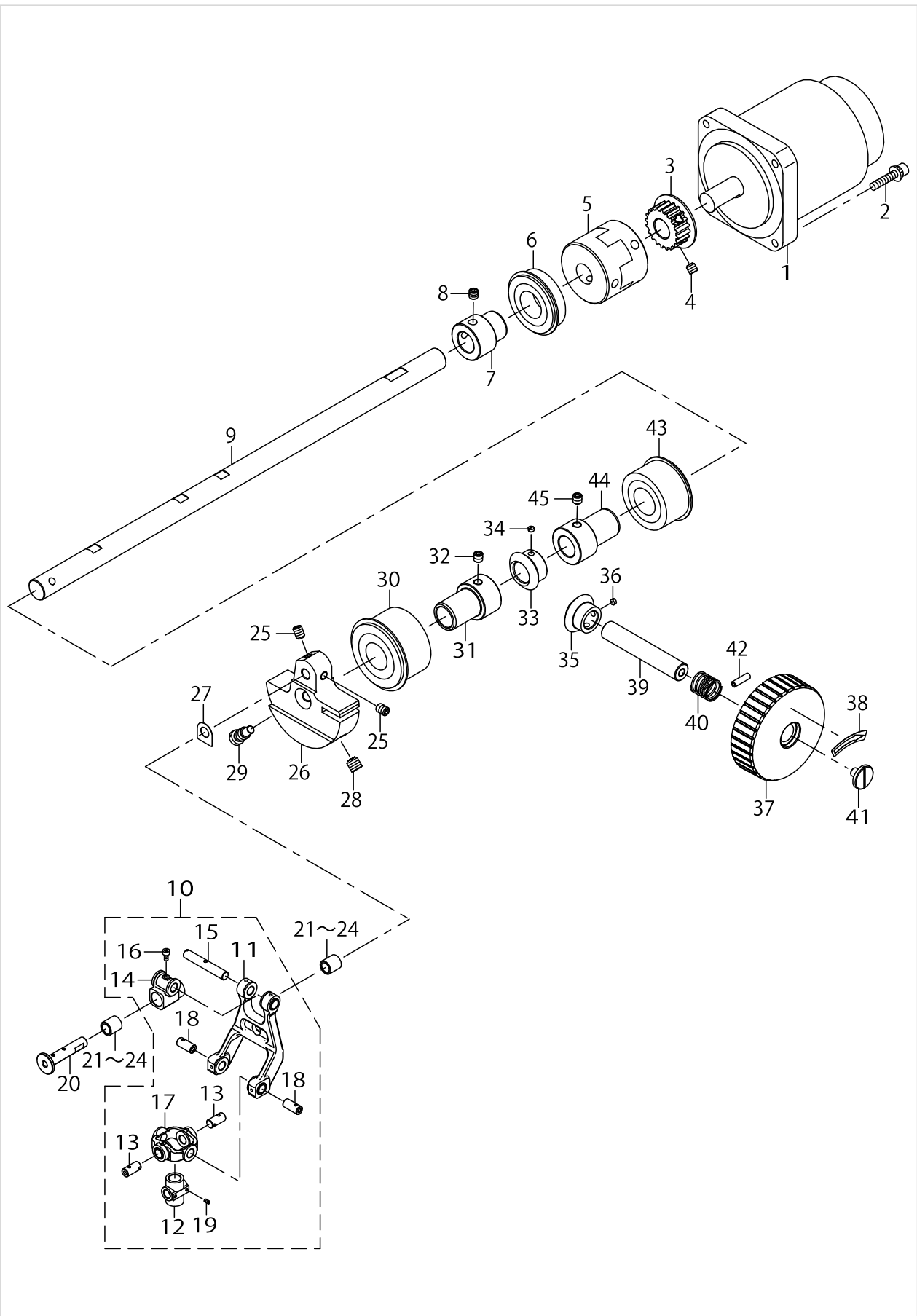


LOWER SHAFT COMPONENTS

No.	Parts No.	Parts name	Remarks	Level	Cons	Qty
48	SM4030455SP	SCREW				1
49	13312202	THRUST WASHER				1
50	40115438	SPREADER FORK PIN				2
51	40115442	SPREADER ARM SHAFT				1
52	SM80506A2TP	SCREW M5 L=6				2
53	SM8480652TP	SCREW				2
54	40115424	LOOPER ARM				1



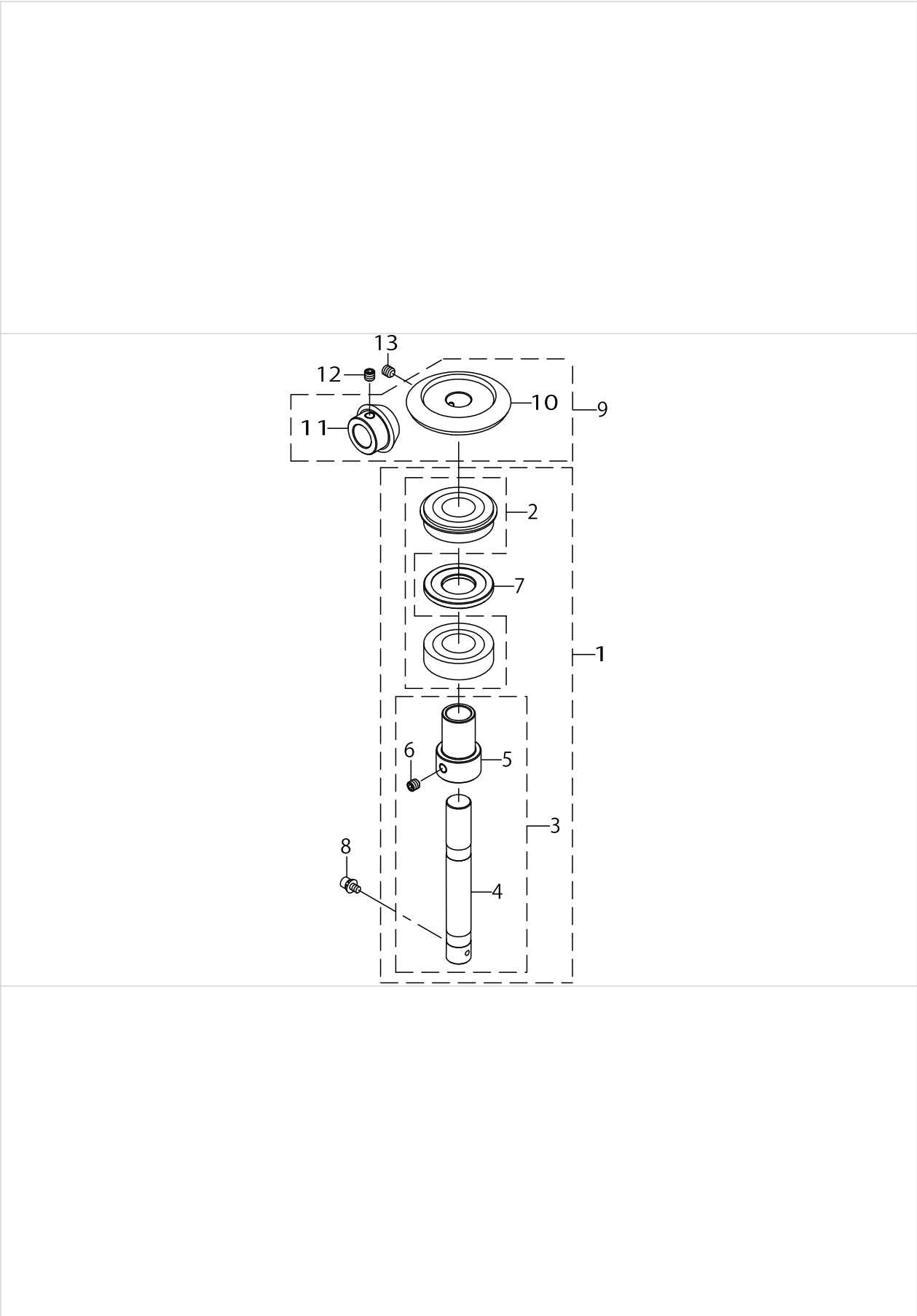
# UPPER SHAFT COMPONENTS



UPPER SHAFT COMPONENTS

No.	Parts No.	Parts name	Remarks	Level	Cons	Qty
1	40114444	AC SERVO MOTOR				1
2	SL6052592TN	BOLT				4
3	40170907	UPPER_SPROCKET				1
4	SM80506A2TP	SCREW M5 L=6				2
5	40051473	COUPLING ASM.				1
6	SB120001600	BEARING				1
7	23604200	MAIN SHAFT BEARING SUPPORT				1
8	SM80606A2TP	SCREW M6 L=6				2
9	40115453	UPPER SHAFT				1
10	40151034	CRANK ROD ASM.				1
11	40151035	CRANK ROD METAL ASM.		*		1
12	40115458	NEEDLE BAR CONNECTION		*		1
13	40115467	NEEDLEBARCONNECTIONBASE SHAFT		*		2
14	40115459	CRANK ROD ROCKING SHAFT BASE		*		1
15	40115461	CRANK ROD SEESAW SHAFT		*		1
16	SM6850502TN	SCREW M2.5 L=5		*		1
17	40151037	CONNECTION BASE ASM.		*		1
18	40115460	NEEDLEBARCONNECTIONBASE SHAFT		*		2
19	SM8020452TP	SCREW		*		2
20	40115464	CRANK ROD ROCKING SHAFT				1
21	SB30700020A	BEARING	SELECTIVE PARTS			2
22	SB30700020B	BEARING	SELECTIVE PARTS			2
23	SB30700020C	BEARING	SELECTIVE PARTS			2
24	SB30700020D	BEARING	SELECTIVE PARTS			2
25	SM8060812TP	SCREW M6 L=8				2
26	40115465	COUNTER WEIGHT				1
27	40115468	COUNTER WEIGHT PLATE				1
28	SM8080812TP	SCREW M8X8				1
29	13309208	SCREW FOR COUNTERWEIGHT				1
30	SB120003000	BEARING				1
31	40115466	MAIN SHAFT BEARING SUPPORT				1
32	SM80606A2TP	SCREW M6 L=6				2
33	40006515	GEAR A				1
34	SM8040310SS	SCREW M4 L=3				2
35	40006516	GEAR B				1
36	SM8040310SS	SCREW M4 L=3				2
37	B1212210D00	PULLEY				1
38	CM500200001	DIRECTION LABEL.				1
39	40044053	PULLEY SHAFT				1
40	GAF01007000	SPRING				1
41	A1230500000A	HANDWHEEL SETSCREW				1
42	PS0400142KH	SPRING PIN 4X14				1
43	SB120003100	BEARING				1
44	40115466	MAIN SHAFT BEARING SUPPORT				1
45	SM80606A2TP	SCREW M6 L=6				2

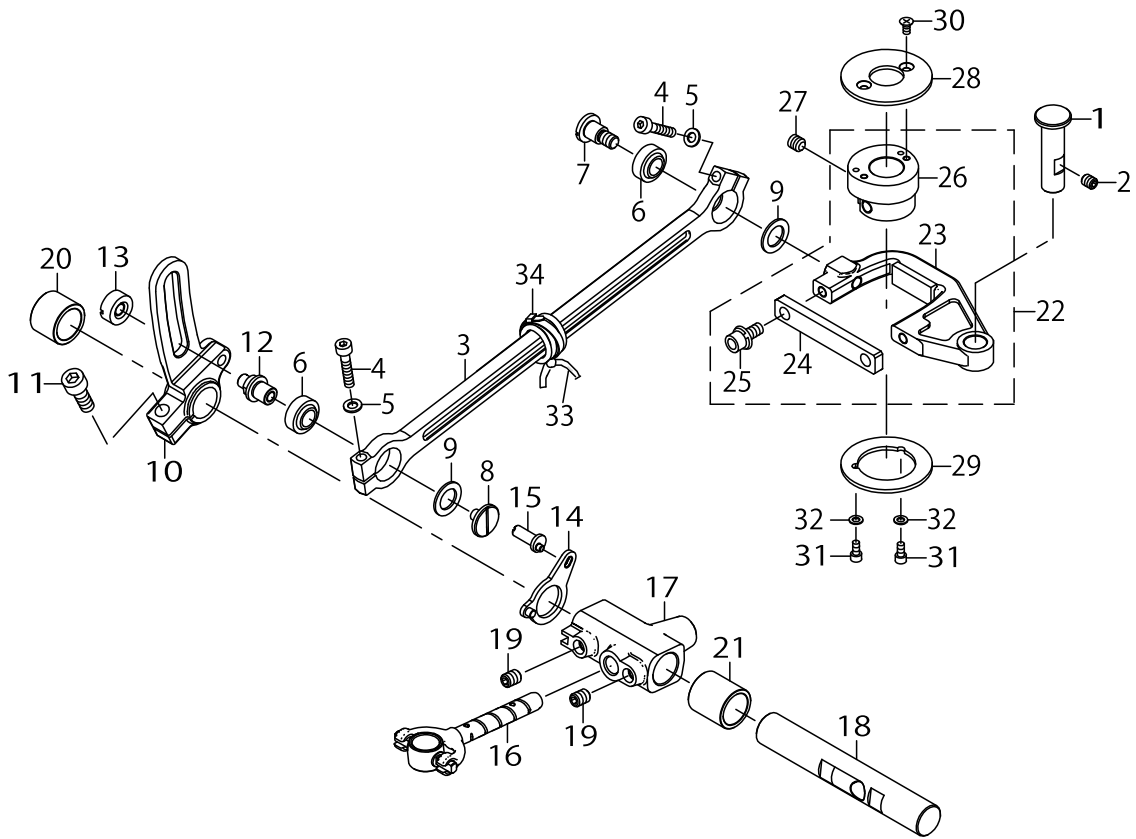
VERTICAL SHAFT COMPONENTS



VERTICAL SHAFT COMPONENTS

No.	Parts No.	Parts name	Remarks	Level	Cons	Qty
1	40130905	VERTICAL SHAFT BEARING ASM.				1
2	SB120003100	BEARING		*		1
3	40131483	BALANCE BUSH ASM.		*		1
4	40115477	VERTICAL SHAFT		*		1
5	40115478	BALANCE BUSH		*		1
6	SM80606A2TP	SCREW M6 L=6		*		2
7	40115479	BEARING COLLER		*		1
8	SL6040642TN	BOLT				1
9	40132293	VERTICAL_SHAFT_GEAR_ASM				1
10	40132292	VERTICAL_SHAFT_GEAR_UPPER		*		1
11	40132291	UPPER_SHAFT_GEAR		*		1
12	SM80606A2TP	SCREW M6 L=6				2
13	SM80606A2TP	SCREW M6 L=6				2

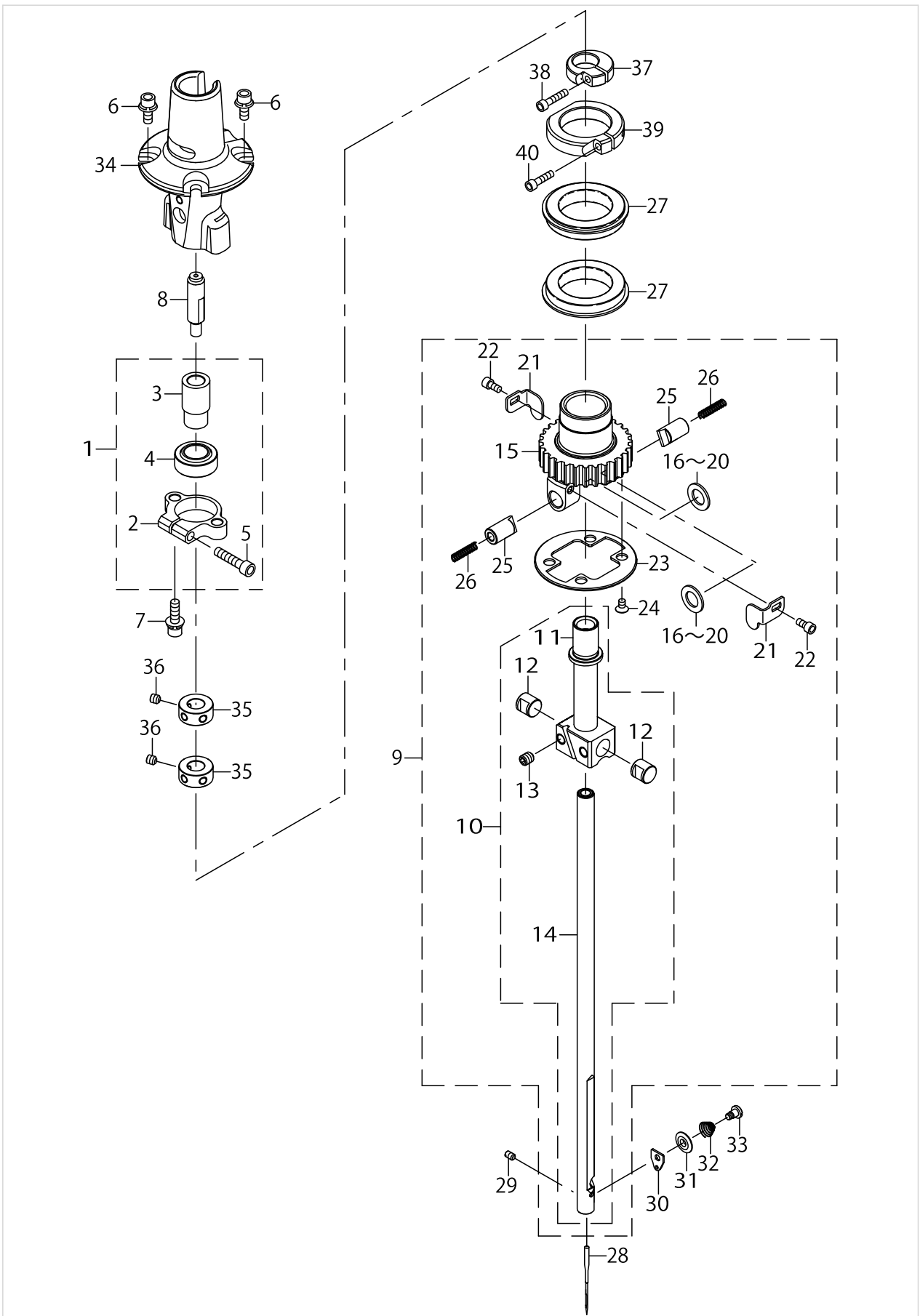
NEEDLE BAR ROCKING COMPONENTS



NEEDLE BAR ROCKING COMPONENTS

No.	Parts No.	Parts name	Remarks	Level	Cons	Qty
1	40115514	PITMAN FULCRAUM SHAFT				1
2	SM8050612TP	SCREW M5X6				1
3	40115493	ROCKING LINK A				1
4	SM6042002TP	SCREW M4X0.7 L=20				2
5	WP0430800SC	WASHER M4				2
6	SB808000200	BEARING				2
7	SD0800746TP	SHOULDER SCREW				1
8	SM6050650TP	SCREW M5 L=6				1
9	40086712	CONNECTING ROD FELT				2
10	40115494	ADJUSTING ARM				1
11	SM6061602TP	SCREW M6 L=16				1
12	40115495	HINGE SCREW				1
13	40115496	ADJUST NUT				1
14	40115497	ASSY POSITION CONTROL PLATE				1
15	40115500	ECCENTRIC SHAFT				1
16	40115501	ASSY NEEDLE BAR LOCK LINK				1
17	40115504	ROCKING BASE				1
18	40115505	FULCRAUM SHAFT				1
19	SM8060812TP	SCREW M6 L=8				2
20	40115506	METAL L				1
21	40115507	METAL R				1
22	40115508	ASSY ROCKING CAM				1
23	40115509	NEEDLE BAR PITMAN		*		1
24	40115510	PITMAN PLATE		*		1
25	SL6051292TN	BOLT		*		2
26	40115511	ROCKING CAM		*		1
27	SM8480652TP	SCREW				2
28	40115512	CAM PLATE				1
29	40115513	CAM PLATE U				1
30	SM1030601SP	SCREW M3 L=6				2
31	SM6030602TP	SCREW M3X0.5 L=6				2
32	WP0320500SC	WASHER M3				2
33	CQ252200000	OIL WICK				0.3
34	EA9500B0200	CABLE BAND 150				1

# NEEDLE BAR COMPONENTS

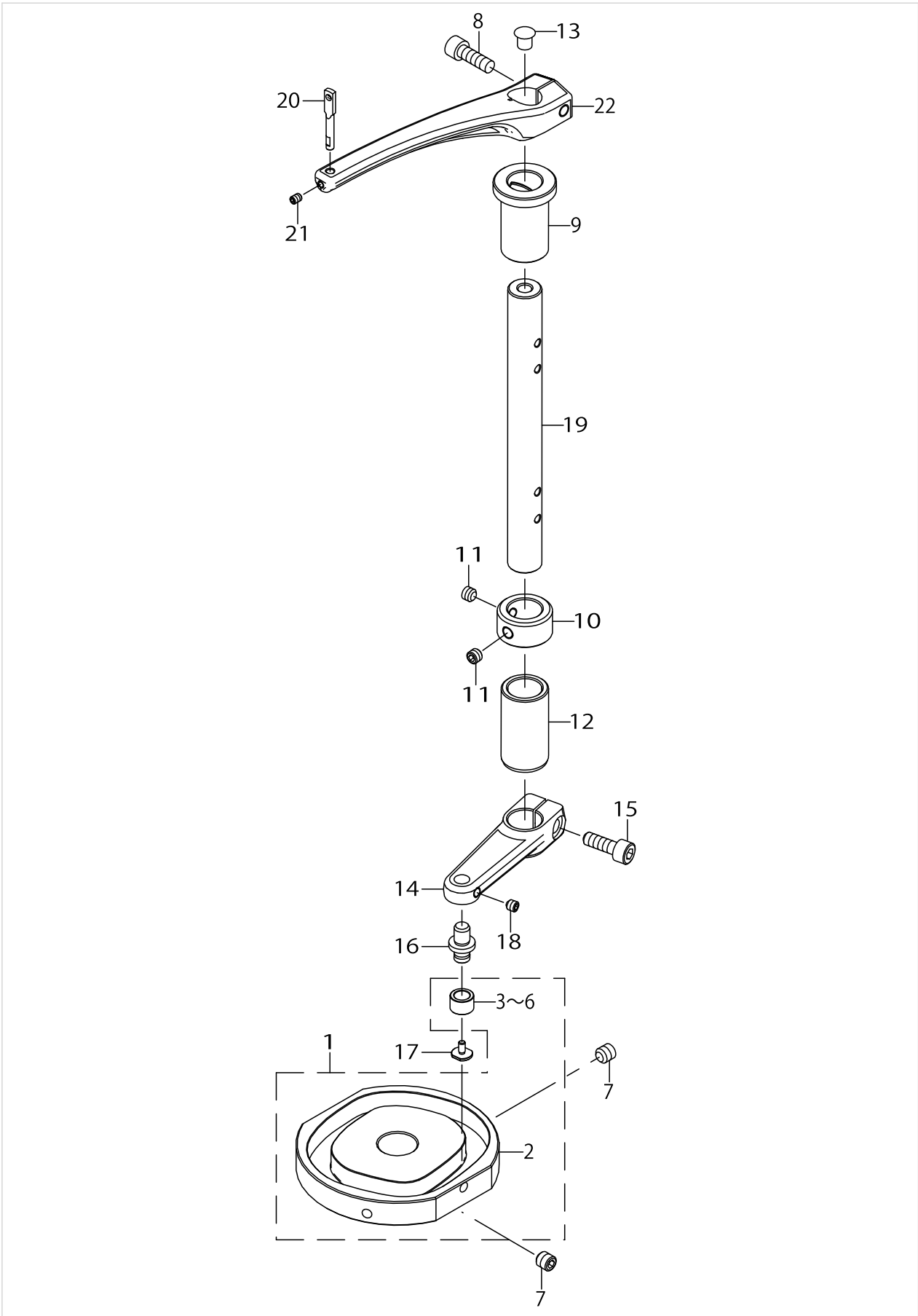


NEEDLE BAR COMPONENTS

No.	Parts No.	Parts name	Remarks	Level	Cons	Qty
1	40115550	NEEDLE BAR METAL ASM				1
2	40115546	NEEDLE BAR METAL HOLDER		*		1
3	40115545	NEEDLE BAR METAL COLLAR		*		1
4	40115547	BEARING		*		1
5	SM6041802TP	SCREW M4 L=18		*		1
6	SL6041092TN	SCREW				4
7	SL6041492TN	SCREW				2
8	40115525	NEEDLE BAR THREAD GUIDE ASM			☆	1
9	40145281	ASSY_NEEDLE_BAR				1
10	40151038	NEEDLE BAR ROCKING BASE ASM		*		1
11	40151039	NEEDLE BAR ROCKING BASE		*		1
12	40115530	NEEDLE BAR THRUST PIN		*		2
13	SM80506A2TP	SCREW M5 L=6		*		2
14	40115531	NEEDLE BAR		*		1
15	40145279	NEEDLE_SPROCKET		*		1
16	40151040	THRUST WASHER A	SELECTIVE PARTS	*		2
17	40151041	THRUST WASHER B	SELECTIVE PARTS	*		2
18	40151042	THRUST WASHER C	SELECTIVE PARTS	*		2
19	40151043	THRUST WASHER D	SELECTIVE PARTS	*		2
20	40151044	THRUST WASHER E	SELECTIVE PARTS	*		2
21	40115535	ROCKING GUIDE HOOK		*		2
22	SM6030602TP	SCREW M3X0.5 L=6		*		2
23	40145280	FRANGE B		*		1
24	SM1030501SC	SCREW M3 L=5		*		4
25	14009104	NEEDLE BAR ROCKING GUIDE		*		2
26	14009203	SPRING		*		2
27	SB125000500	BEARING				2
28	MC185801100	NEEDLE SCHMETZ 558 NM110			☆	1
29	SM8430550TP	SCAREW M3X0.35 L=4.5				1
30	40115448	THREAD GUIDE			☆	1
31	B2313180000	TENSION DISC			☆	1
32	14045900	TENSION SPRING			☆	1
33	14045801	SCREW			☆	1
34	40115524	NEEDLE BAR COVER			☆	1
35	40115492	COLLAR				2
36	SM8040412TP	SET SCREW M4 L=4				6
37	40115543	THRUST COLLAR				1
38	SM6031402TP	SCREW				1
39	40115544	REVLUUTION COLLAR				1
40	SM6031202TP	SCREW M3X0.5 L=12				1



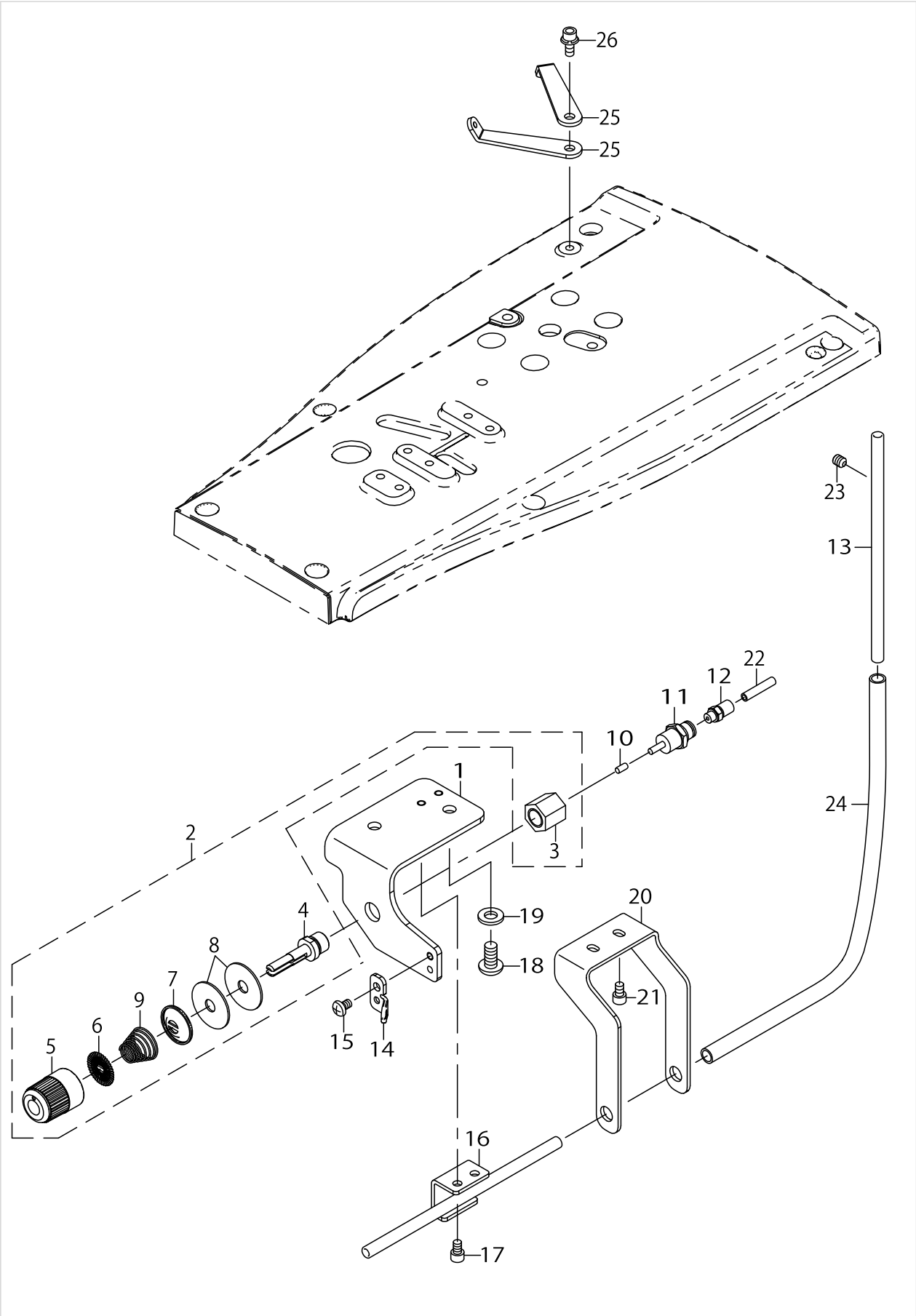
THREAD TAKE-UP LEVER COMPONENTS



THREAD TAKE-UP LEVER COMPONENTS

No.	Parts No.	Parts name	Remarks	Level	Cons	Qty
1	40115563	TAKE UP CAM ASM				1
2	40115564	TAKE UP CAM		*		1
3	40099989	SPREADER CAM ROLLER A	SELECTIVE PARTS	*		1
4	40099990	SPREADER CAM ROLLER B	SELECTIVE PARTS	*		1
5	40099991	SPREADER CAM ROLLER C	SELECTIVE PARTS	*		1
6	40099992	SPREADER CAM ROLLER D	SELECTIVE PARTS	*		1
7	SM80606A2TP	SCREW M6 L=6				2
8	SM6051552TP	SCREW M5 L=15				1
9	40115560	THREAD TAKE UP METAL U				1
10	40115561	THRUST COLLER				1
11	SM8050412TP	SCREW M5 L=4				2
12	40115562	THREAD TAKE UP METAL L				1
13	TA0550604R0	RUBBER PLUG				1
14	40115566	THREAD TAKE UP LEVER L				1
15	SM6051552TP	SCREW M5 L=15				1
16	40115567	ROLLER SHAFT				1
17	40099923	CAM ROLLER SCREW				1
18	SM8040402TP	SCREW M4X0.7 L=4				1
19	40115557	THREAD TAKE UP LEVER SHAFT				1
20	40115558	TAKE UP THREAD GUIDE			☆	1
21	SM8030412TP	SCREW				1
22	40115559	THREAD TAKE UP LEVER U				1

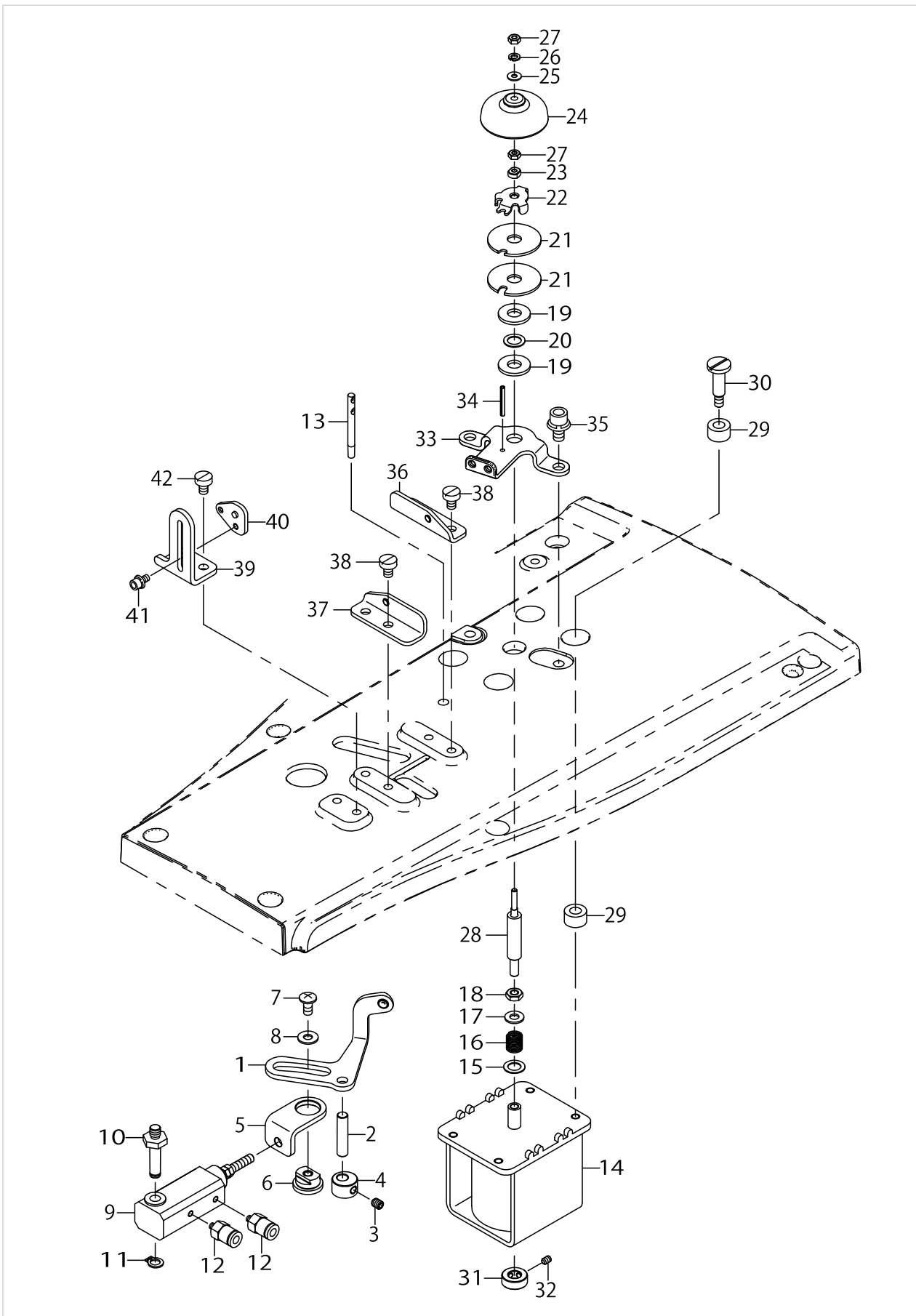
LOWER THREAD HAUL COMPONENTS



LOWER THREAD HAUL COMPONENTS

No.	Parts No.	Parts name	Remarks	Level	Cons	Qty
1	40118782	THREAD TENSION BRACKET				1
2	40115578	LOWER THREAD TENSION ASM				1
3	40115579	THREAD TENSION POST BASE		*		1
4	40115580	THREAD TENSION POST		*		1
5	13341102	KNOB BLUE		*		1
6	22921407	ROTATION STOPPER		*		1
7	22921803	DISK STOPPER		*		1
8	22928907	THREAD TENSION DISK		*		2
9	B3121804000	TENSION SPRING		*		1
10	PH0300062C0	PIN				1
11	PA0600504A0	AIR CYLINDER				1
12	PJ032052503	HOSE NIPPLE				1
13	40115588	THREAD GUIDE PIPE B				1
14	40115581	THREAD GUIDE				1
15	SM4040655SP	SCREW M4 L=6				1
16	40115585	LOWER THREAD PIPE B ASM				1
17	SM6040602TP	SCREW M4 L=6				2
18	SM4061255SP	SCREW M6 L=12				2
19	WP0641601SD	WASHER M6				2
20	40115589	TUBE STAY				1
21	SM6040602TP	SCREW M4 L=6				2
22	BT0400251EB	URETHANE HOSE BLACK				3
23	SM8050612TP	SCREW M5X6				1
24	BT0800601B0	FEP TUBE CLEAR 8X6				0.27
25	B1128850000	LOOPER THREAD GUIDE				2
26	SL6041092TN	SCREW				1

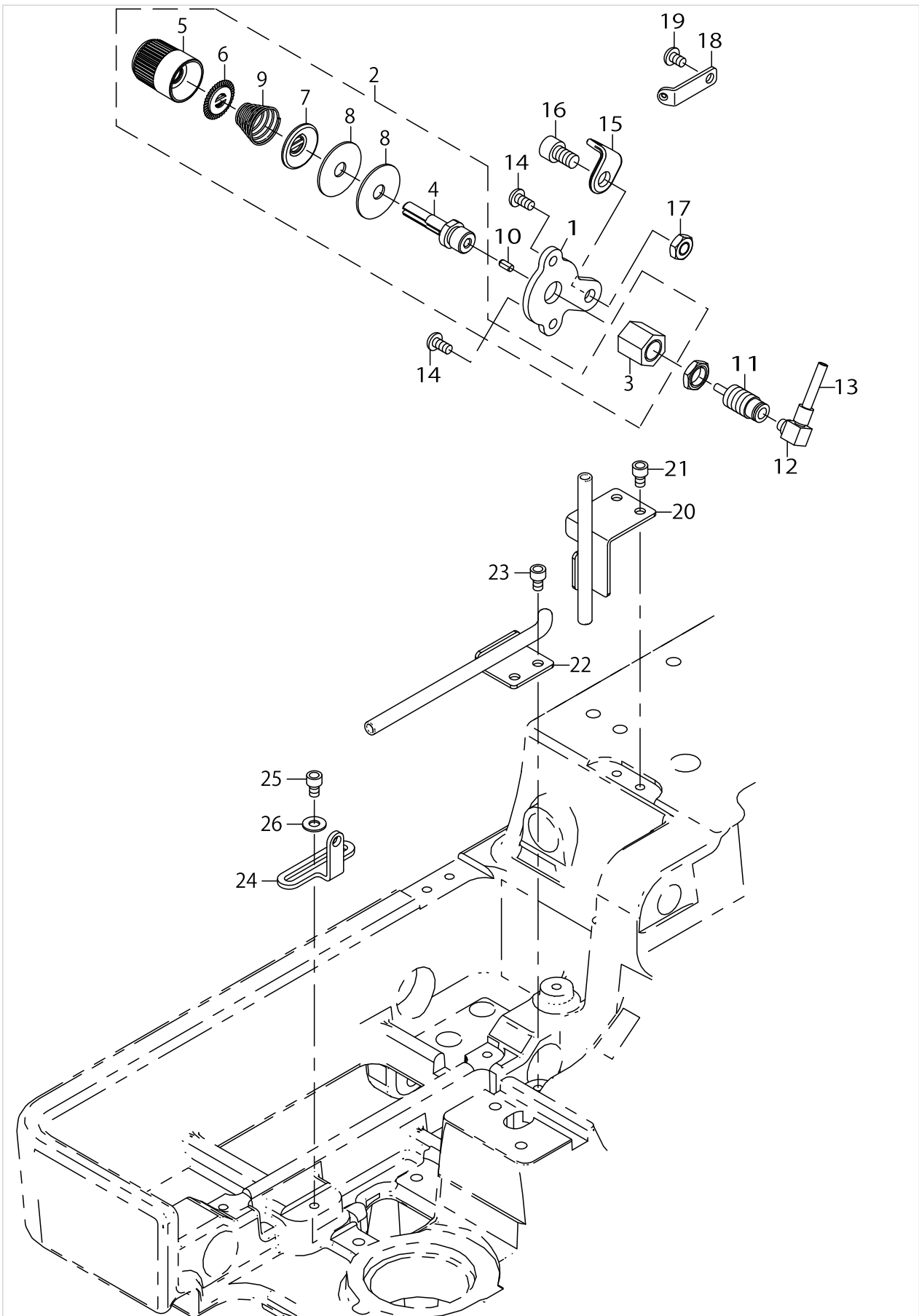
UPPER THREAD HAUL COMPONENTS



UPPER THREAD HAUL COMPONENTS

No.	Parts No.	Parts name	Remarks	Level	Cons	Qty
1	40115597	THREAD HAUL ASM				1
2	13409800	DIFF LINK PIN				1
3	SM8040502TP	SCREW M4X0.7 L=5				1
4	40115599	THRUST COLLER				1
5	40115600	THREAD HAUL PLATE				1
6	40115601	THREAD HAUL NUT				1
7	SM0040801SC	SCREW				1
8	14030100	WASHER				1
9	PA1001029A0	AIR CYLINDER				1
10	40115602	AIR CYRINDER PIN				1
11	RC0470611KP	RETAINING RING 4.7				1
12	PJ210304010	HALF UNION				2
13	22502504	THREAD GUIDE BAR				1
14	32054900	AT (UPPER)				1
15	26217604	WASHER				1
16	32055501	AT (UPPER) SPRING				1
17	WP0430801SC	WASHER M4				1
18	NM6040003SC	NUT M4				1
19	40008423	WASHER				2
20	32053506	THREAD TENSIONS RUBBER SEAT				1
21	40020389	THREAD TENSION DISK				2
22	40115603	DISK STOPPER				1
23	40115604	THREAD TENTION SHAFT COLLER				1
24	40115605	AT DISK COVER				1
25	WP0250501SC	WASHER 2.5X6.5				1
26	WS0310002KR	SPRING WASHER 3.1X5.9X0.7				1
27	NM6850001SC	NUT M2.5X0.45 TYPE1				2
28	40115606	THREAD TENSION SHAFT				1
29	40115607	RUBBER CUSHION				8
30	40115608	AT SHOULDER SCREW				4
31	40010477	AT SOL COLLAR				1
32	SM8030412TP	SCREW				2
33	40020390	AT THREAD GUIDE				1
34	PS0200162KH	SPRING PIN				1
35	SL6051092TN	BOLT				2
36	40115609	THREAD GUIDE ASM A				1
37	40115611	THREAD GUIDE ASM B				1
38	SM6040650TP	SCREW				4
39	40115612	THREAD TAKE UP STAND				1
40	40115613	MOVABLE THREAD GUIDE				1
41	SL6030692TN	SCREW M3 L=6				1
42	SM6040650TP	SCREW				2

GIMP HAUL COMPONENTS

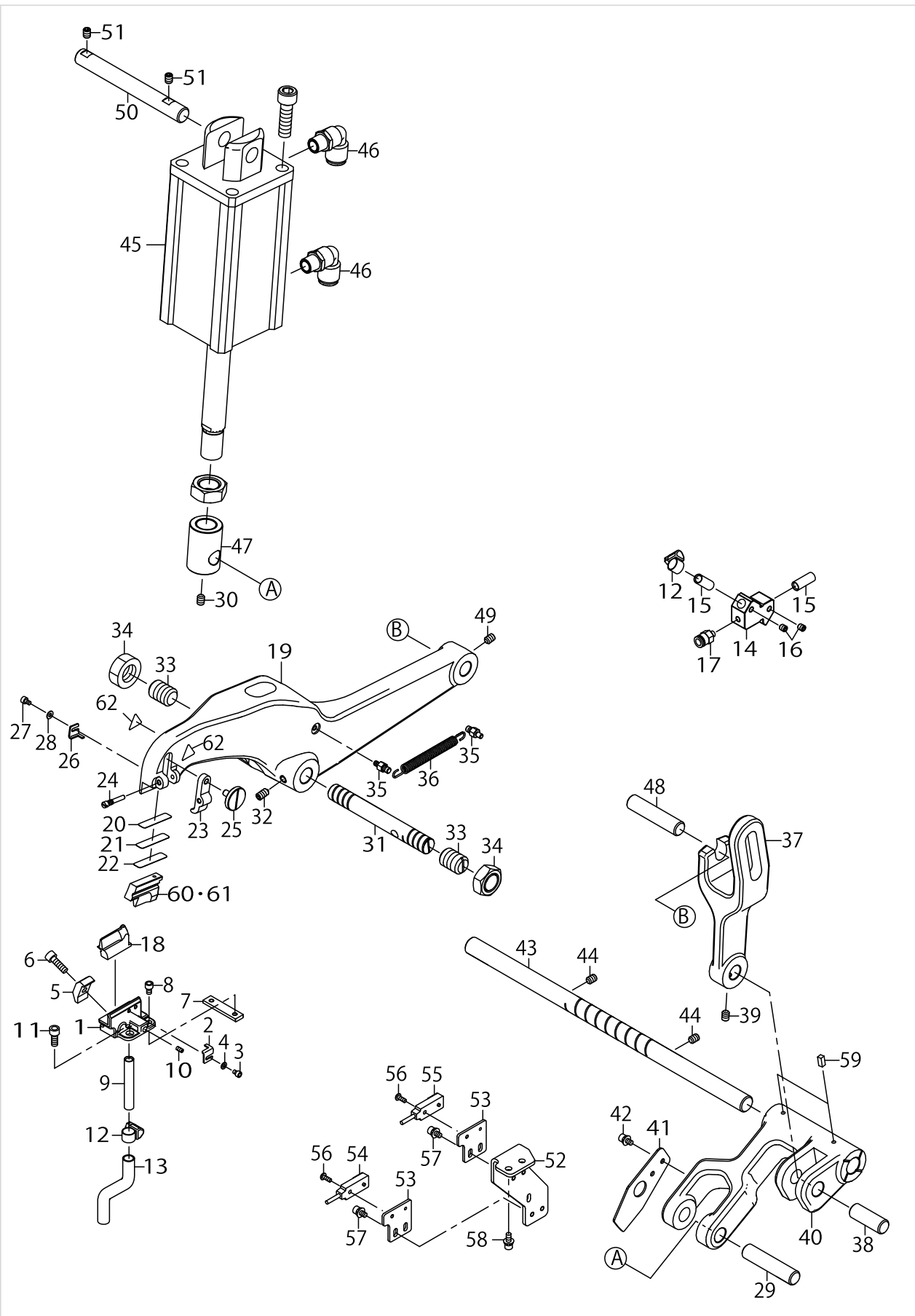


GIMP HAUL COMPONENTS

No.	Parts No.	Parts name	Remarks	Level	Cons	Qty
1	40115622	THREAD TENSION BRACKET				1
2	40115578	LOWER_THREAD_TENSION_ASM				1
3	40115579	THREAD TENSION POST BASE		*		1
4	40115580	THREAD TENSION POST		*		1
5	13341102	KNOB BLUE		*		1
6	22921407	ROTATION STOPPER		*		1
7	22921803	DISK STOPPER		*		1
8	22928907	THREAD TENSION DISK		*		2
9	B3121804000	TENSION SPRING		*		1
10	PH0300062C0	PIN				1
11	PA0600504A0	AIR CYLINDER				1
12	PJ046052503	HOSE ELBOW				1
13	BT0400251EB	URETHANE HOSE BLACK				3
14	SM4040855SP	SCREW				2
15	40010414	THREAD GUIDE NO.1				1
16	SM6061002TP	SCREW M6 L=10				1
17	NM6060003SC	NUT M6				1
18	13332705	EYELET C				1
19	SM4040655SP	SCREW M4 L=6				1
20	40115624	GIMP PIPE A ASM				1
21	SM6040602TP	SCREW M4 L=6				2
22	40115627	GIMP PIPE B ASM				1
23	SM6040602TP	SCREW M4 L=6				2
24	40115629	THREAD GUIDE C				1
25	SM6040602TP	SCREW M4 L=6				1
26	WP0450801SP	WASHER				1



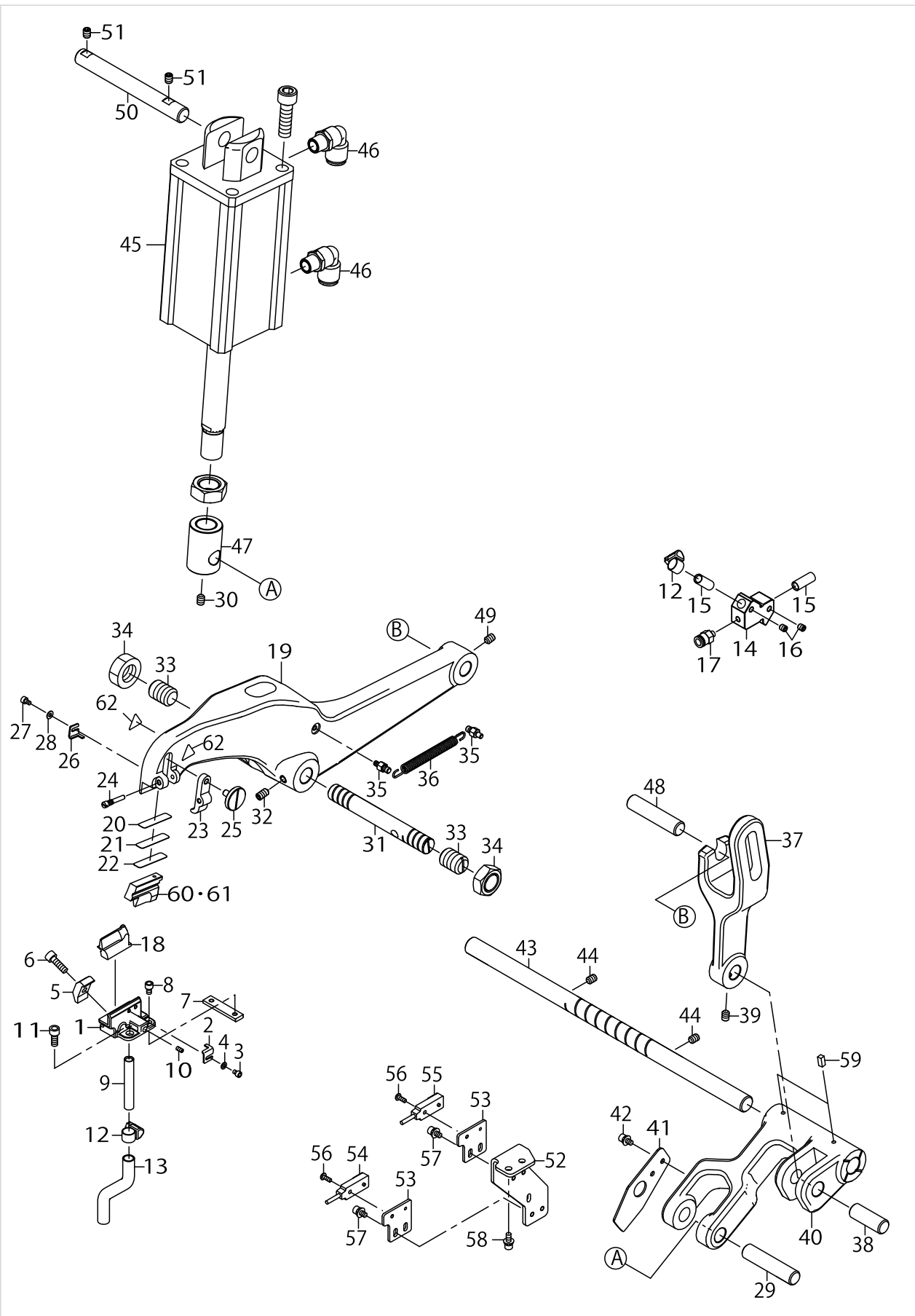
CLOTH CUTTING COMPONENTS



CLOTH CUTTING COMPONENTS

No.	Parts No.	Parts name	Remarks	Level	Cons	Qty
1	40151033	KNIFE BASE				1
2	14040802	KNIFE STOPPER(UPPER LOWER)				1
3	SM6030402TP	SCREW M3X0.5 L=4				1
4	WP0320500SD	M3 WASHER				1
5	14040703	KNIFE FIX PLATE LOWER				1
6	SM6051602TP	SCREW M5X0.8 L=16				1
7	40115658	KNIFE BASE KEY				1
8	SM6040602TP	SCREW M4 L=6				2
9	40115659	DUST CHUTE				1
10	SM8030602TP	SCREW M3X0.5 L=6				1
11	SM6051202TP	SCREW M5X0.8 L=12				2
12	16121907	HOSE BAND				2
13	BT1200801EF	TUBE				1.5
14	40115661	DUST SUCTIONER				1
15	40115660	DUST CHUTE B				2
16	SM8050602TP	SCREW M5 L=6				2
17	PJ301060503	HALF UNION				1
18	40115664	KNIFE			☆	1
19	40115637	KNIFE ARM				1
20	40115638	SPACER 01	SELECTIVE PARTS (TWO PIECES ARE USED FROM 0.)			1
21	40115639	SPACER 02	SELECTIVE PARTS (TWO PIECES ARE USED FROM 0.)			1
22	40115640	SPACER 03	SELECTIVE PARTS (TWO PIECES ARE USED FROM 0.)			1
23	40115641	HAMMER HOLDING PLATE				1
24	14039507	SCREW				1
25	32068900	KNIFE FIXING SCREW				1
26	14040802	KNIFE STOPPER(UPPER LOWER)				1
27	SM6030502TP	BOLT M3X5				1
28	WP0320501SD	WASHER				1
29	40115654	KNIFE CYLINDER PIN				1
30	SM80608A2TP	SCREW M6 L=8				1
31	40115644	KNIFE ARM FULCRUM SHAFT				1
32	SM8061242TP	SCREW				1
33	40115645	KNIFE ARM SCREW				2
34	NM6660043SD	NUT M16X1.5 TYPE3				2
35	40115642	SPRING HOOK				2
36	40115643	KNIFE ARM SPRING				1
37	40115647	KNIFE MIDDLE LINK				1
38	40115648	KNIFE DRIVING ARM PIN				1
39	SM80608A2TP	SCREW M6 L=8				1
40	40115649	KNIFE DRIVING ARM				1
41	40115651	KNIFE SENNSOR SLIT				1
42	SL6040892TN	BOLT				2
43	40115652	KNIFE DRIVING ARM FULCRUM SHAFT				1
44	SM80608A2TP	SCREW M6 L=8				2
45	40115655	AIR CYLINDER				1
46	PJ304105201	ELBOW UNION B				2

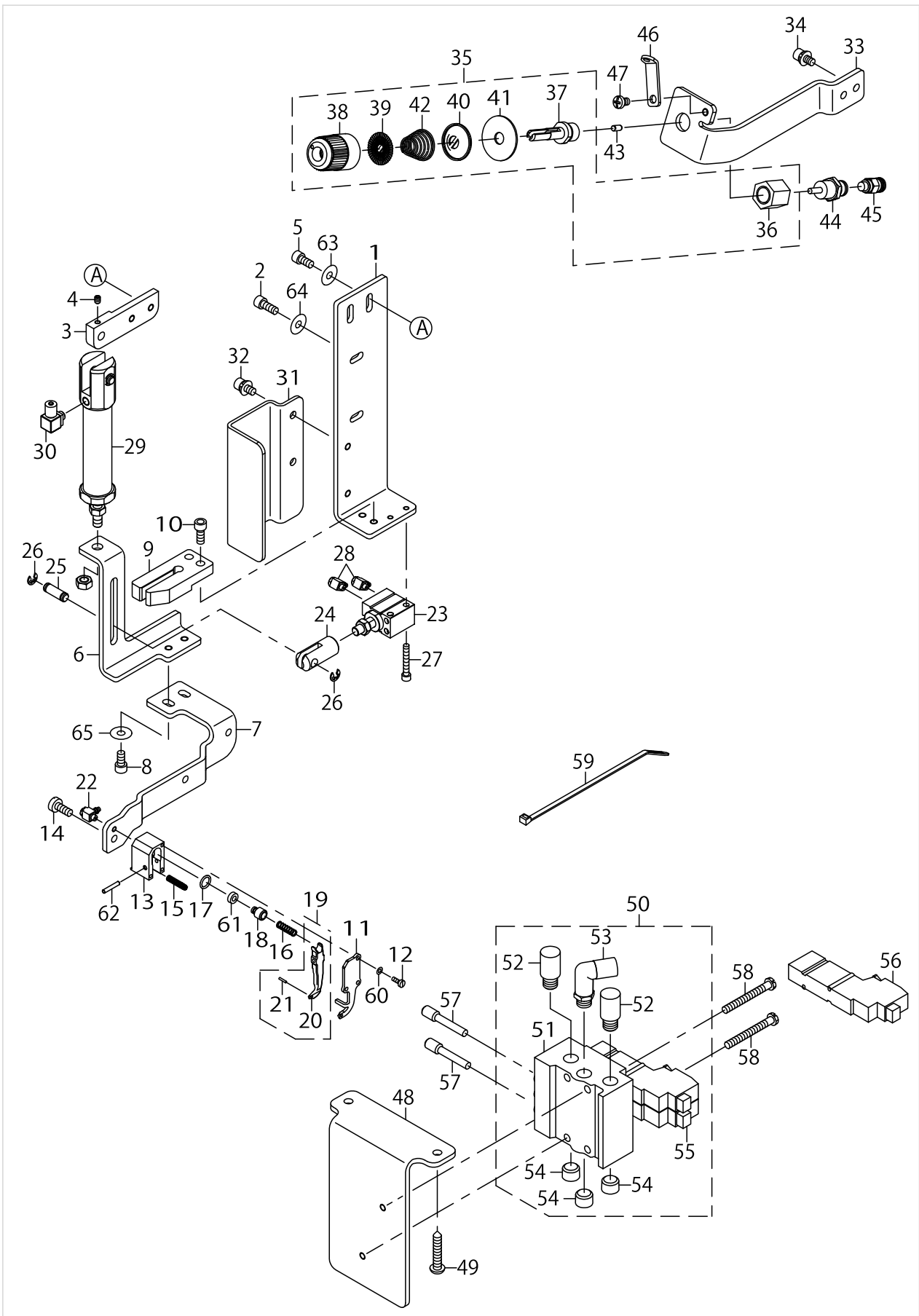
CLOTH CUTTING COMPONENTS



CLOTH CUTTING COMPONENTS

No.	Parts No.	Parts name	Remarks	Level	Cons	Qty
47	40115653	KNUCKLE JOINT				1
48	40115654	KNIFE CYLINDER PIN				1
49	SM80608A2TP	SCREW M6 L=8				1
50	40115656	KNIFE CYLINDER FULCRUM SHAFT				1
51	SM80608A2TP	SCREW M6 L=8				2
52	40115662	KNIFE SENSOR STAY				1
53	40115663	SENSOR PLATE				2
54	40114422	CU SENSOR ASM				1
55	40114426	CM POS SENSOR ASM				1
56	SM4030801SE	SCREW M3 L=8				2
57	SL6040892TN	BOLT				4
58	SL6041092TN	SCREW				2
59	32075301	CLOTH KNIFE LEVER FELT				2
60	40115667	HAMMER 20MM EYELET H	TYPE J		☆	1
61	40115666	HAMMER 16MM EYELET H	TYPE C		☆	1
62	CM300200001	ATTENTION SEAL				2

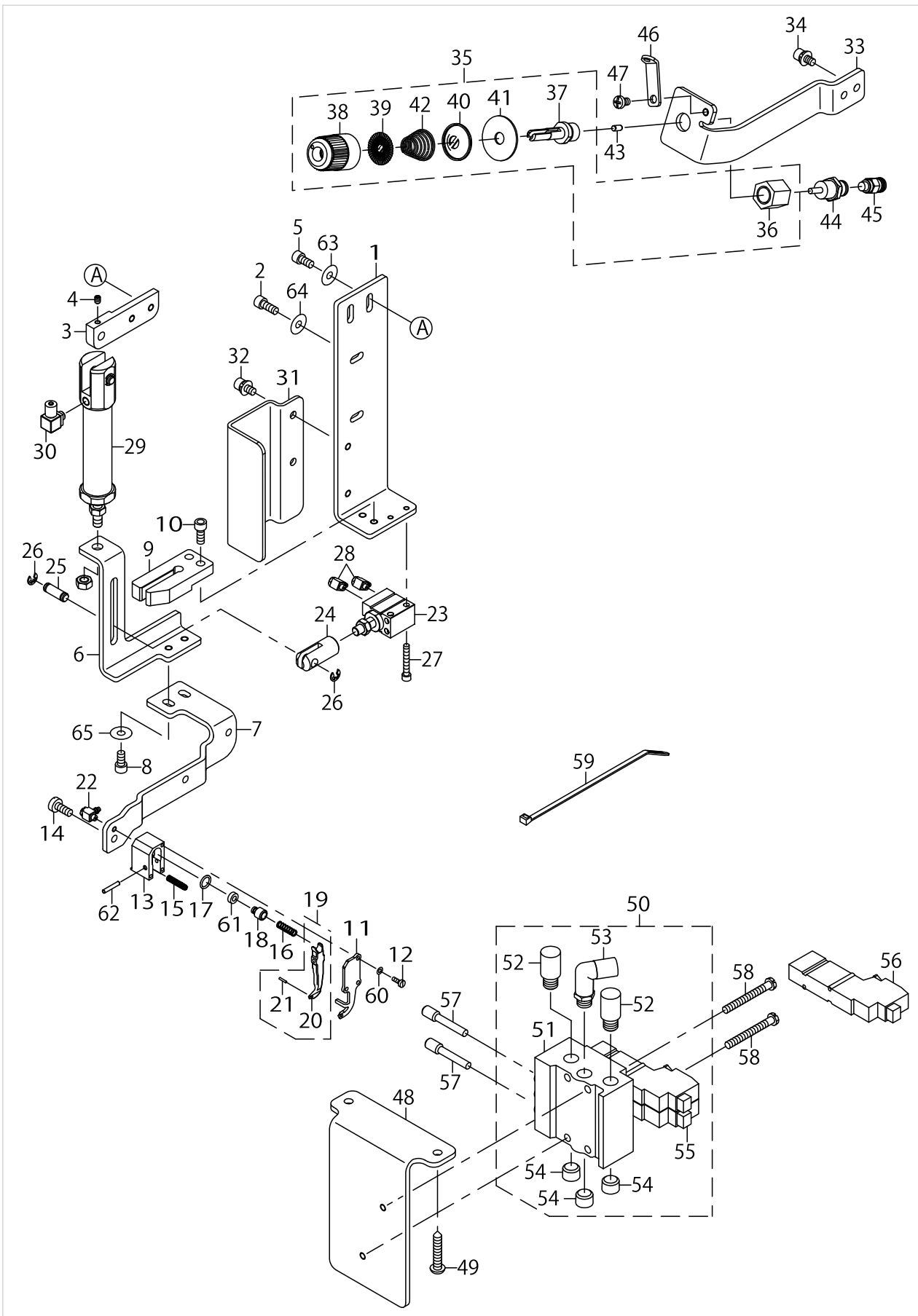
UPPER THREAD CLAMP UNIT



UPPER THREAD CLAMP UNIT

No.	Parts No.	Parts name	Remarks	Level	Cons	Qty
1	40115909	THREAD CLAMP BRACKET				1
2	SM6041002TP	SCREW M4 L=10				2
3	40115912	CYLINDER GUIDE				1
4	SM8030412TP	SCREW				1
5	SM6040802TP	SCREW M4X0.7 L=8				2
6	40115911	THREAD CLAMP SLIT				1
7	40115910	THREAD CLAMP BASE ARM				1
8	SM6040802TP	SCREW M4X0.7 L=8				2
9	40115916	SLIT GUIDE				1
10	SM6041002TP	SCREW M4 L=10				2
11	40115901	THREAD CLAMP A				1
12	SM6020600TP	SCREW				3
13	40115902	THREAD CLAMP BASE				1
14	SM6041050TP	SCREW				1
15	40115907	THREAD CLAMP SPRING				1
16	40115906	THREAD CLAMP PISTON SPRING				1
17	40115914	O RING				1
18	40115904	THREAD CLAMP PISTON				1
19	40138570	THREAD_CLAMP_B_ASM				1
20	40139096	THERAD_CLAMP_B		*		1
21	PS0100052KP	SPRING PIN		*		1
22	PJ046039001	ELBOW				1
23	PA1000601A0	AIR CYLINDER				1
24	B1625220000	CYLINDER KNUCKLE				1
25	B1626220000	CYLINDER PIN				1
26	RE0300000K0	E-RING 3				2
27	SM6032002TN	SCREW M3X0.5 L=20				2
28	PJ046039001	ELBOW				2
29	PA1602009A0	CYLINDER				1
30	PJ046052503	HOSE ELBOW				1
31	40115917	CLAMP COVER				1
32	SL6040892TN	BOLT				2
33	40115918	TENSION PLATE				1
34	SL6040892TN	BOLT				2
35	40115919	LOWER THREAD TENSION ASM.				1
36	40115579	THREAD TENSION POST BASE		*		1
37	40115580	THREAD TENSION POST		*		1
38	13341102	KNOB BLUE		*		1
39	22921407	ROTATION STOPPER		*		1
40	22921803	DISK STOPPER		*		1
41	22928907	THREAD TENSION DISK		*		1
42	B3121804000	TENSION SPRING		*		1
43	PH0300062C0	PIN				1
44	PA0600504A0	AIR CYLINDER				1
45	PJ301040502	HALF UNION 4XM5				1
46	13332705	EYELET C				1
47	SM4040655SP	SCREW M4 L=6				1

UPPER THREAD CLAMP UNIT

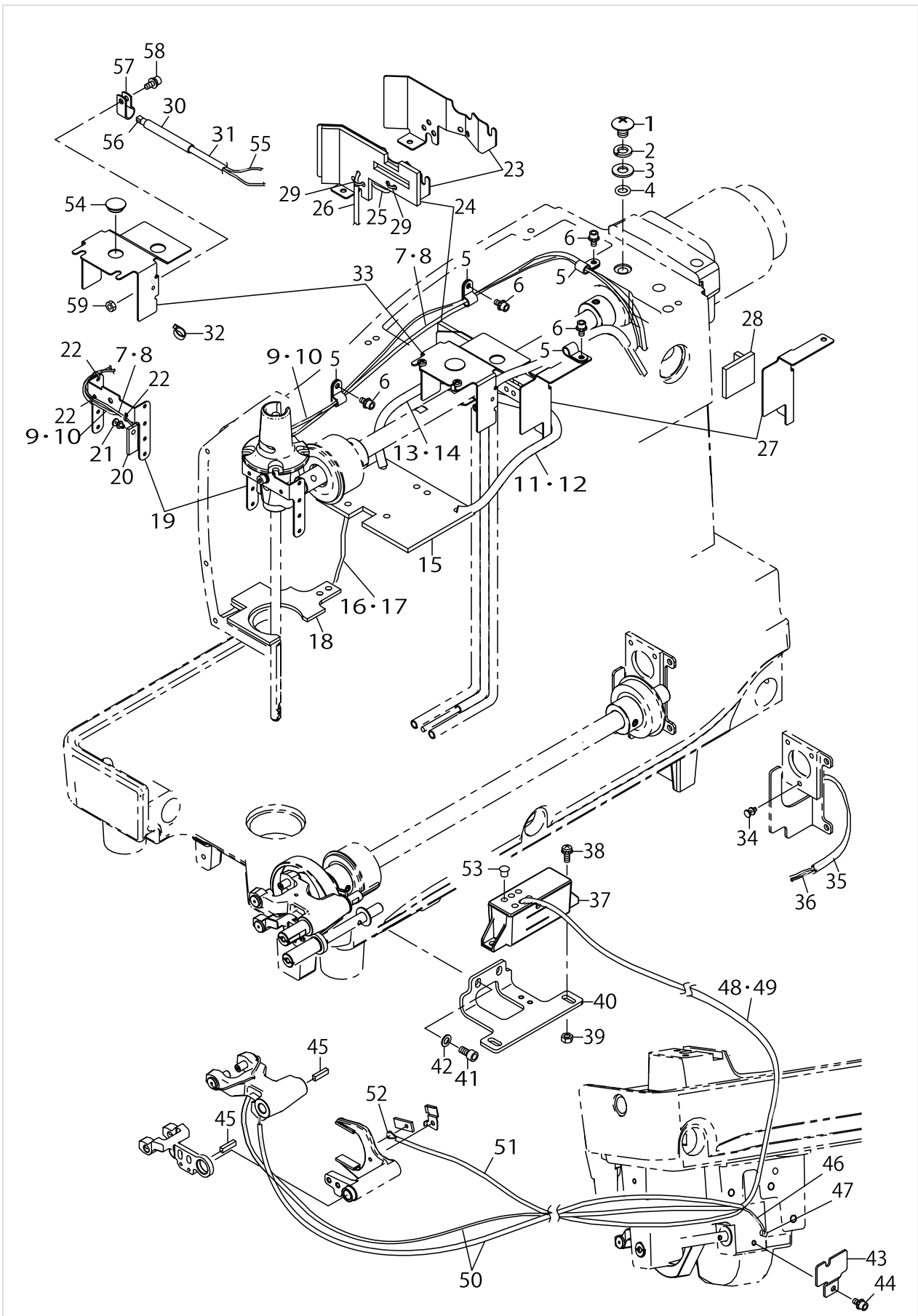


UPPER THREAD CLAMP UNIT

No.	Parts No.	Parts name	Remarks	Level	Cons	Qty
48	40115915	BASE PLATE				1
49	SK3452501SE	SCREW D=4.5 L=25				2
50	40072396	MANIFOLD VALVE ASSY				1
51	PV035161000	MANIFOLD		*		1
52	PX055104000	SILENCER (PT1/8)		*		2
53	PJ304065101	ELBOW UNION 6XPT1/8		*		1
54	PJ025100002	PLUG R1/8		*		3
55	PV150103200	5-PORT SOKENOID VALVE		*		2
56	PV150103200	5-PORT SOKENOID VALVE				1
57	PX500014000	PLUG				2
58	SM4043555SP	SCREW				2
59	HX002330000	CLIP				4
60	WP0220300SC	WASHER				3
61	40115905	PISTON PACKING				1
62	40055811	TP SHAFT PIN L				1
63	WP0431005SP	PLAIN WASHER 4.3X12X1				2
64	WP0431005SP	PLAIN WASHER 4.3X12X1				2
65	WP0431005SP	PLAIN WASHER 4.3X12X1				2



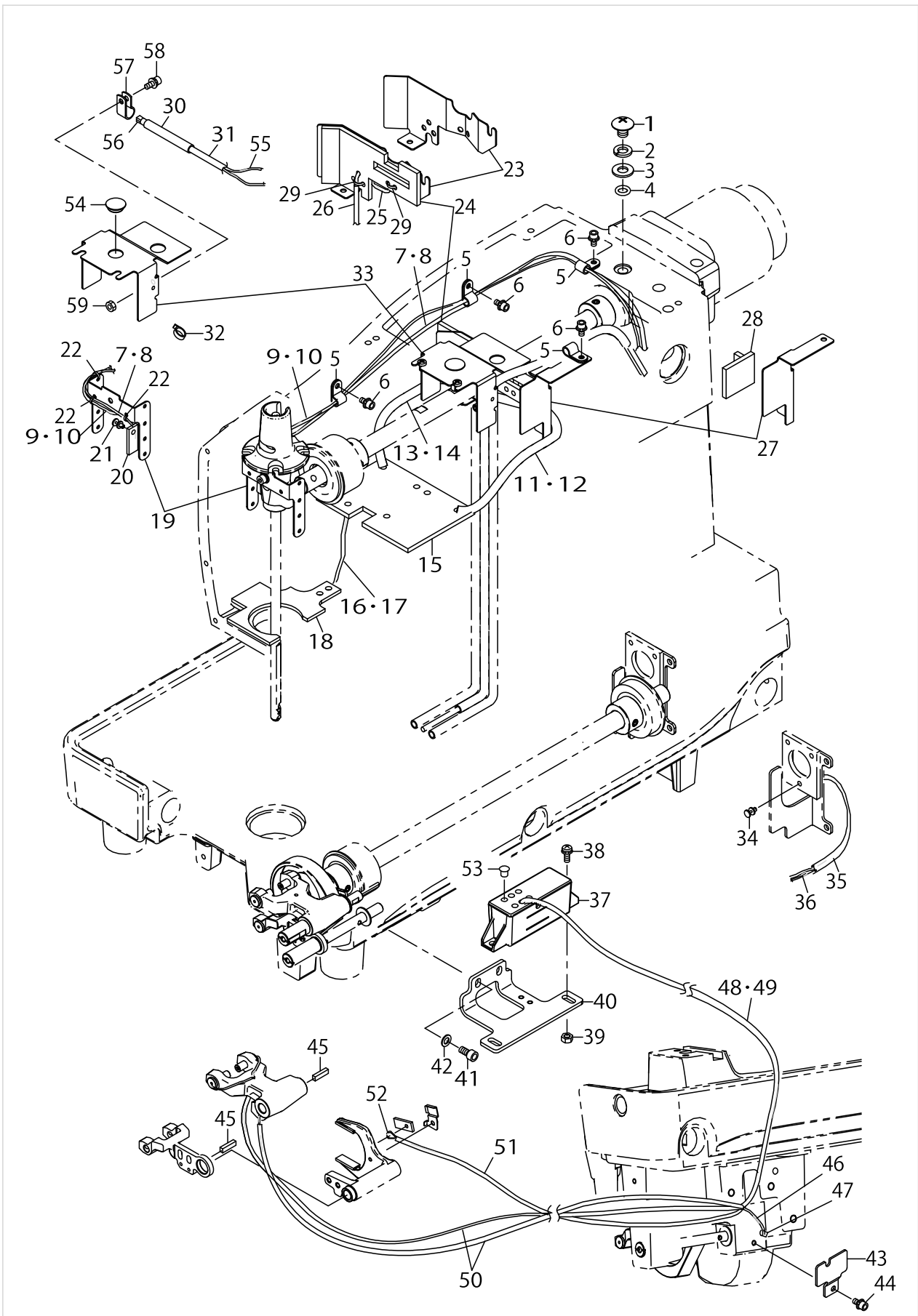
LUBRICATION MECHANISM COMPONENTS



LUBRICATION MECHANISM COMPONENTS

No.	Parts No.	Parts name	Remarks	Level	Cons	Qty
1	SM0081001SD	SCREW				1
2	WS0820002KN	SPRING WASHER M8				1
3	WP0841601SC	WASHER 8.4X17.4X1.6				1
4	13170105	RUBBER RING				1
5	HX00150000D	CABLE CLIP				4
6	SL6040892TN	BOLT				4
7	23630007	TUBE				0.68
8	CQ200000000	OIL WICK				1.46
9	23630007	TUBE				0.63
10	CQ200000000	OIL WICK				1.36
11	40119990	OIL RETURN FELT 500				1
12	BP500000000	VINYL PIPE				0.36
13	40119990	OIL RETURN FELT 500				1
14	BP500000000	VINYL PIPE				0.32
15	40115225	ARM FELT U				1
16	BP500000000	VINYL PIPE				0.06
17	40119991	OIL RETURN FELT 110				1
18	40115699	ARM FELT				1
19	40115698	NEEDLE LUBRICATION PLATE				1
20	B3518280000	BALANCE LUBRICATING				1
21	HX00094000A	NYLON RIVET				1
22	EA9500B0100	CABLE BAND				3
23	40115222	FELT BASE A				1
24	40115224	FELT A				1
25	40119990	OIL RETURN FELT 500				1
26	BP500000000	VINYL PIPE				0.33
27	40115221	FELT BASE B				1
28	40115223	FELT B				1
29	EA9500B0100	CABLE BAND				2
30	23630007	TUBE				0.18
31	BP500000000	VINYL PIPE				0.05
32	EA9500B0100	CABLE BAND				3
33	40119996	GEAR LUBRICATION PLATE				1
34	HX00094000C	NYLON RIVET				3
35	23630007	TUBE				0.15
36	CQ200000000	OIL WICK				0.42
37	40115700	BED OIL TANK ASM				1
38	SL4051291SC	SCREW M5X0.8 L=12				2
39	NM6050001SC	NUT M5X0.8 TYPE1				2
40	40115703	OIL TANK BRACKET				1
41	SM6051002TP	SCREW M5X0.8 L=10				2
42	WP0550800SP	WASHER 5.5X10X0.8				2
43	40119993	TUBE CLAMP PLATE				1
44	SL6040892TN	BOLT				1
45	40020191	BRACKET LUBRICATION FELT A				2
46	CQ252200000	OIL WICK				0.09
47	40020191	BRACKET LUBRICATION FELT A				1

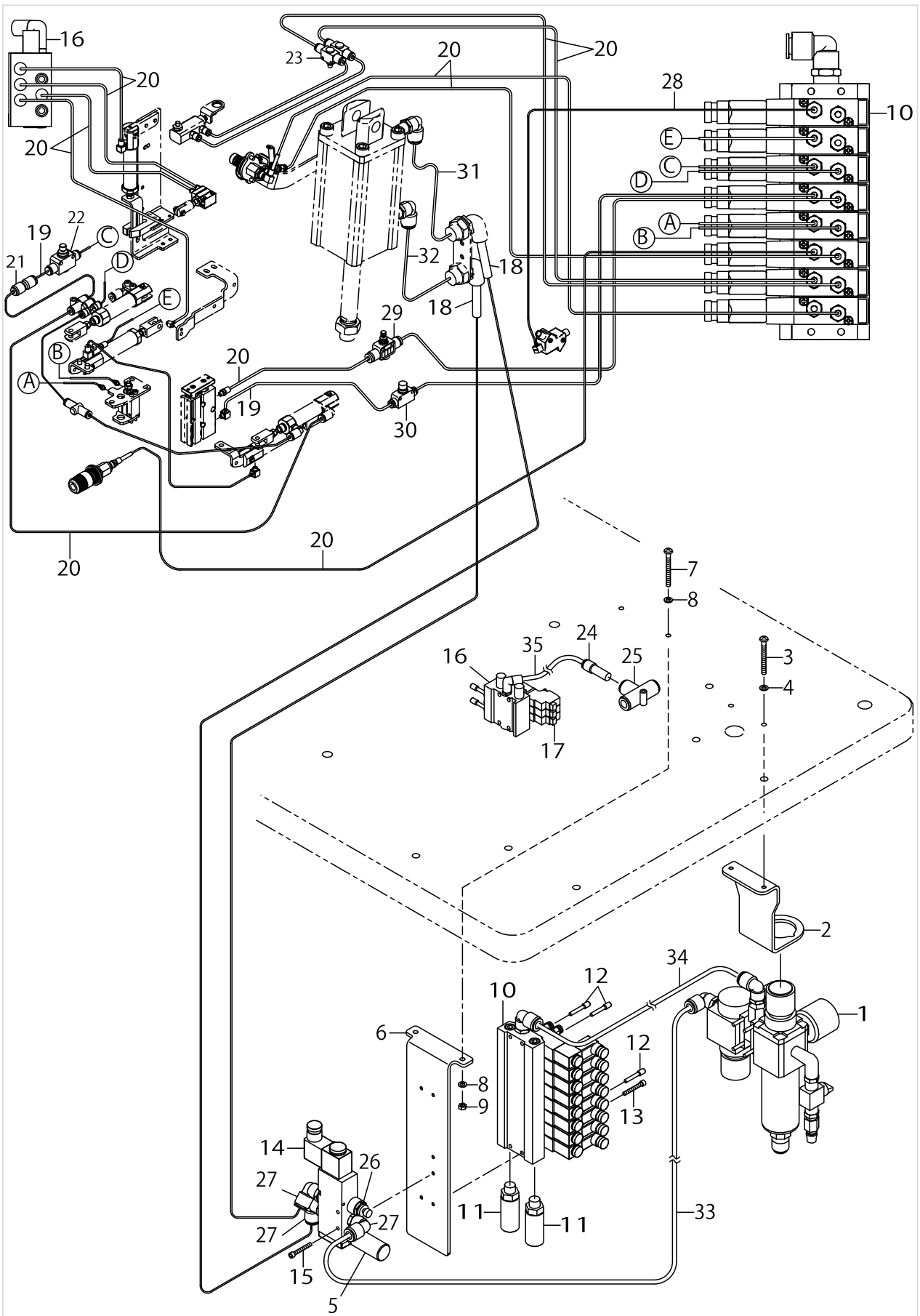
# LUBRICATION MECHANISM COMPONENTS



LUBRICATION MECHANISM COMPONENTS

No.	Parts No.	Parts name	Remarks	Level	Cons	Qty
48	23630007	TUBE				1
49	CQ200000000	OIL WICK				1
50	23630007	TUBE				0.2
51	23630007	TUBE				0.1
52	CQ200000000	OIL WICK				0.3
53	TA0550604R0	RUBBER PLUG				5
54	TA1250406R0	RUBBER PLUG D=12.5 L=4				1
55	CQ200000000	OIL WICK				0.5
56	22604805	FELT				1
57	HX00150000C	CABLE CLIP				1
58	SL6041092TN	SCREW				1
59	NM6040001SC	NUT M4X0.7 TYPE1				1

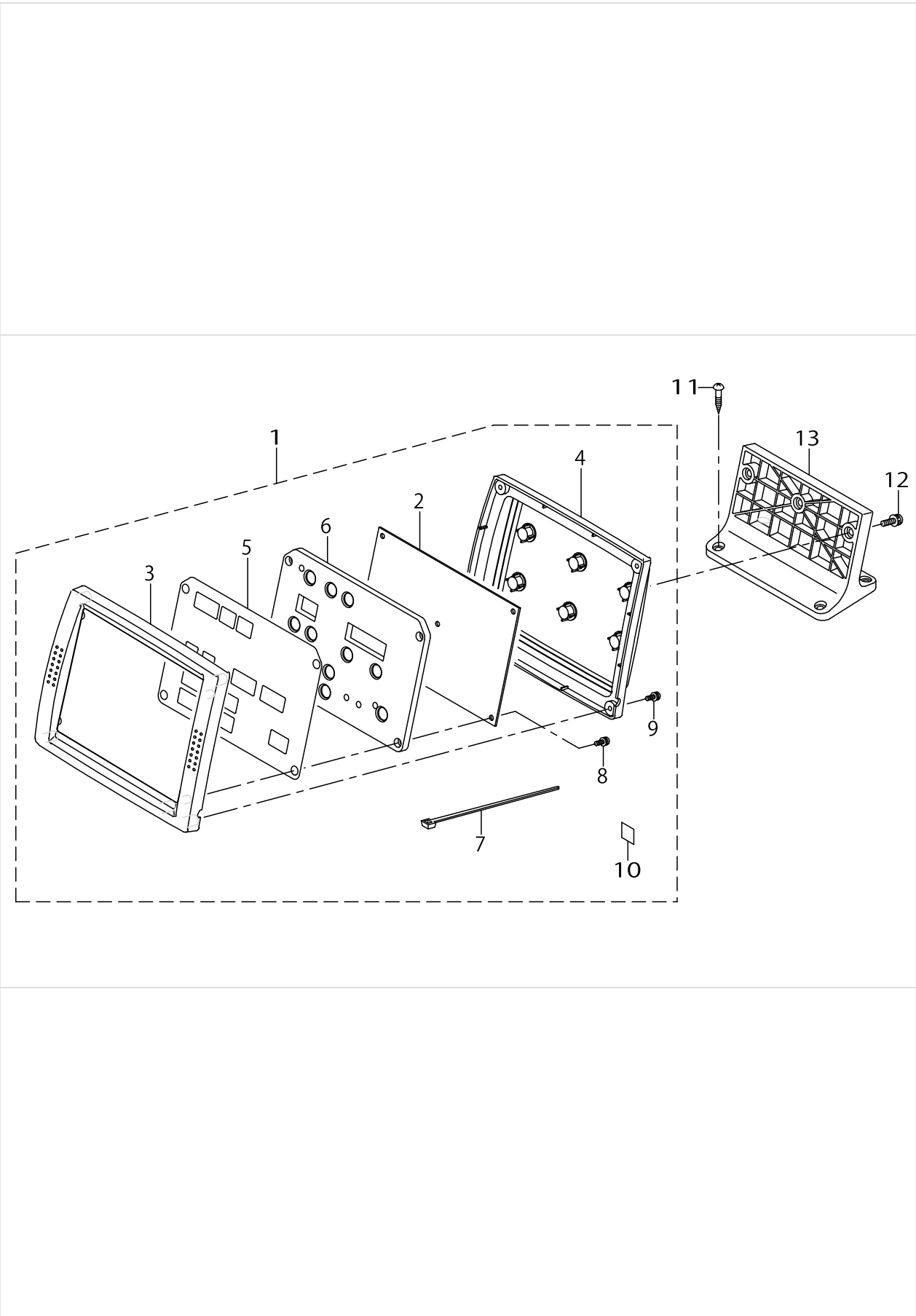
AIR COMPONENTS



AIR COMPONENTS

No.	Parts No.	Parts name	Remarks	Level	Cons	Qty
1	40115683	AIR COMBINATION				1
2	40115682	REGULATOR BKT				1
3	SM4055001SF	SCREW M5 L=50				2
4	WP0531001SC	WASHER M5				2
5	PX055202000	SILENCER				1
6	40115684	MANIFOLD VALVE ASM BKT				1
7	SM4055001SF	SCREW M5 L=50				2
8	WP0531001SC	WASHER M5				4
9	NM6050001SC	NUT M5X0.8 TYPE1				2
10	40115685	MANIFOLD VALVE ASSY				1
11	PX055202000	SILENCER				2
12	PX500014000	PLUG				3
13	SM6043002TN	SCREW				4
14	PV155303000	5-PORT SOLENOID VALVE				1
15	SM6043002TN	SCREW				2
16	40072396	MANIFOLD VALVE ASSY				1
17	PV150103200	5-PORT SOKENOID VALVE				3
18	BT1000651EB	POLYURETHANE TUBE				1
19	BT0600401EB	TUBE				1
20	BT0400251EB	URETHANE HOSE BLACK				1
21	PJ303060003	UNION				1
22	PC012601000	SPEED CONTROLLER				1
23	PC012401000	SPEED CONTROLLER				2
24	PJ301060004	REDUCER				1
25	PJ305100002	T-JOINT				1
26	PF025215000	SILENCER				1
27	PJ304105301	ELBOW UNION				3
28	BT0600401EB	TUBE				1
29	PC012401000	SPEED CONTROLLER				1
30	PC012601000	SPEED CONTROLLER				1
31	BT1000651EB	POLYURETHANE TUBE				0.5
32	BT1000651EB	POLYURETHANE TUBE				0.4
33	BT1000651EB	POLYURETHANE TUBE				0.3
34	BT1000651EB	POLYURETHANE TUBE				0.3
35	BT0600401EB	TUBE				0.4

# OPERATION BOX COMPONENTS

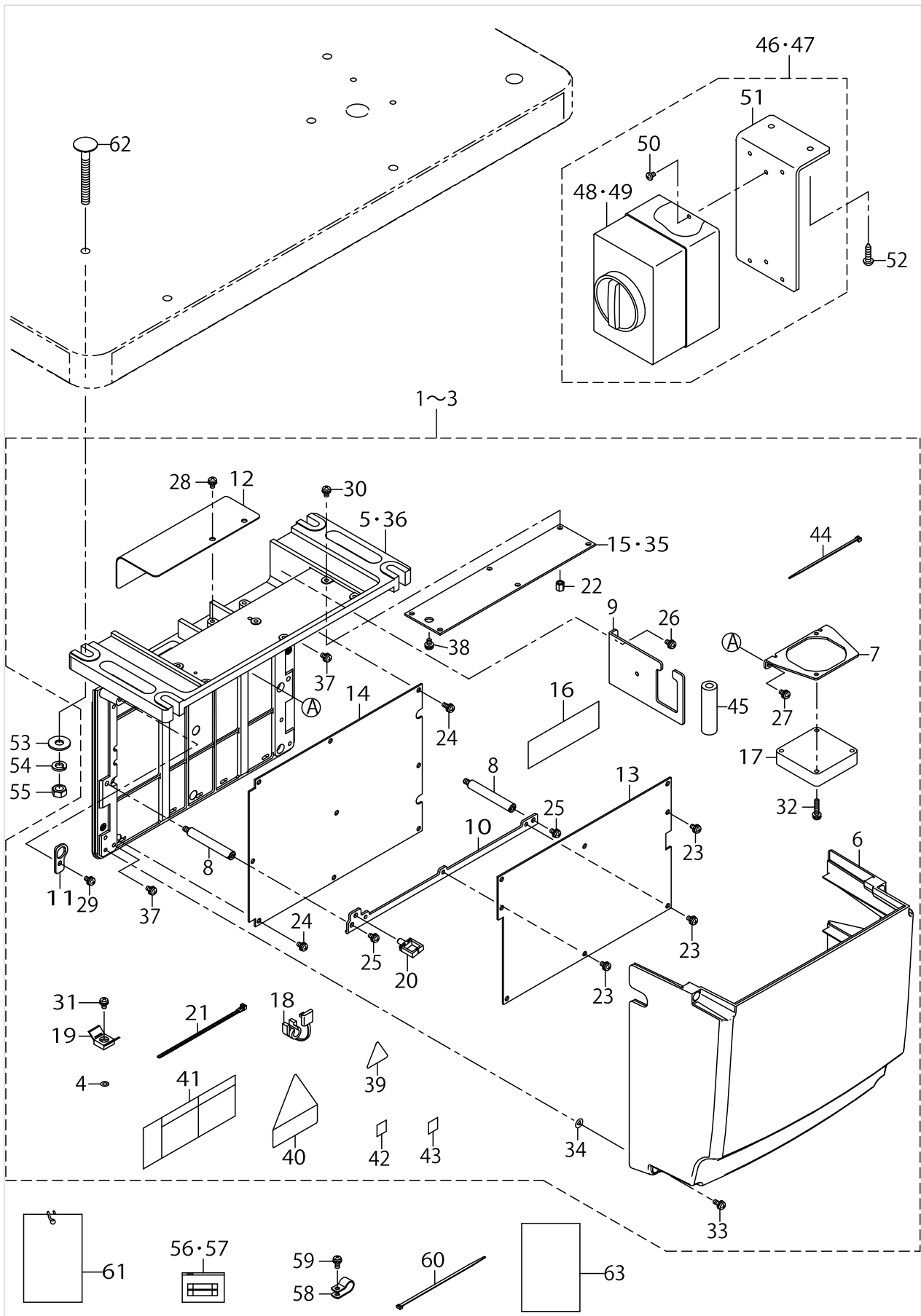


## OPERATION BOX COMPONENTS

No.	Parts No.	Parts name	Remarks	Level	Cons	Qty
1	40108520	OPERATION BOX A ASSY				1
2	40108521	PANEL PCB ASSY		*		1
3	40005692	OPERATION BOX FRONT CASE		*		1
4	40005693	OPERATION BOX REAR CASE		*		1
5	40108529	OPERATION PANEL SHEET		*		1
6	40108530	PANEL PCB HOLDER PLATE		*		1
7	EA9500B0100	CABLE BAND		*		1
8	SL4031081SC	SCREW M3X10		*		4
9	SL4031081SC	SCREW M3X10		*		4
10	CM600100101	WEEE MARK LABEL S		*		1
11	SK3382001SE	SCREW D=3.8 L=20				4
12	SL4041691SC	SCREW M4 L=16				3
13	40005697	PANEL STAND				1



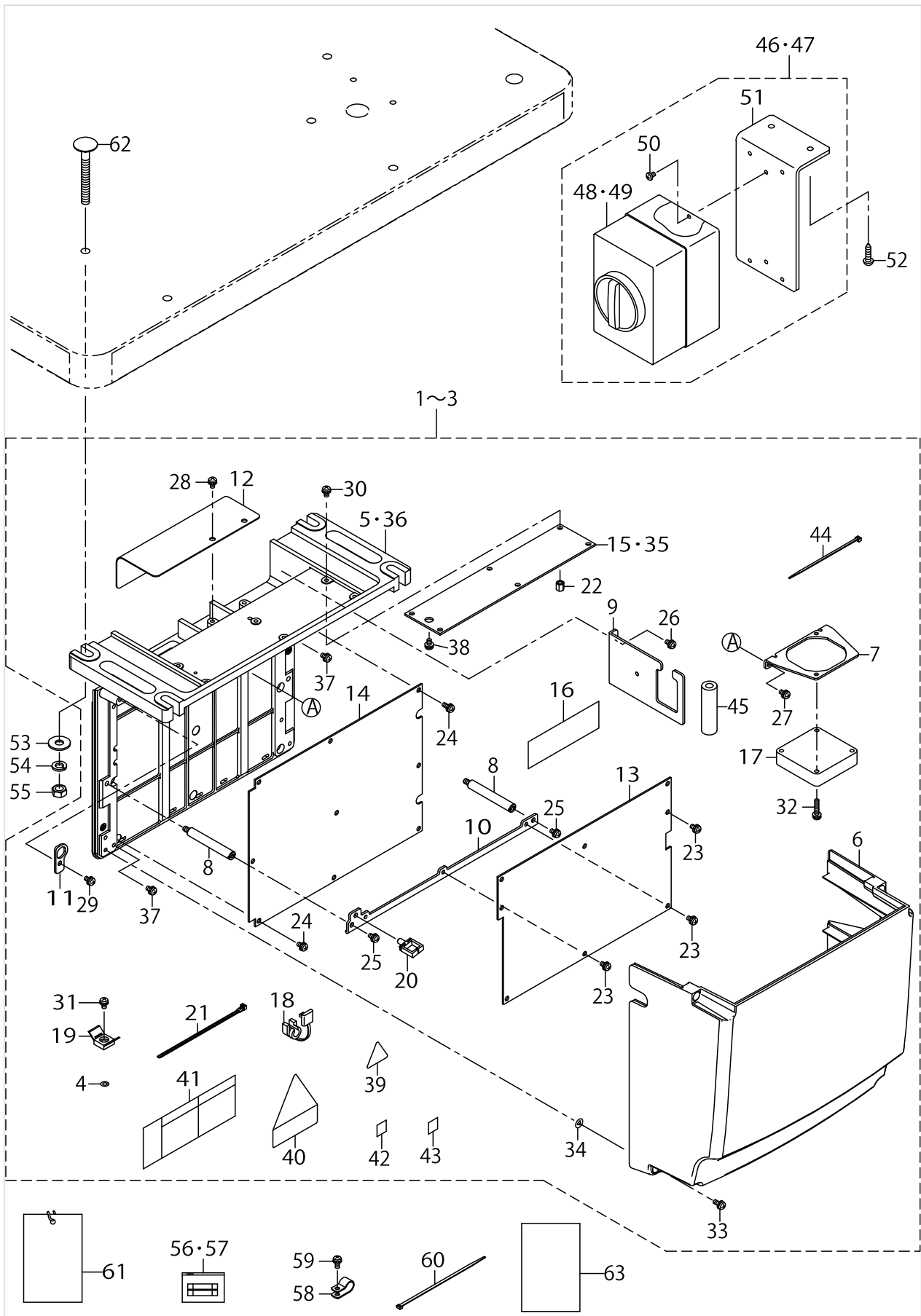
TRANSMISSION COMPONENTS



TRANSMISSION COMPONENTS

No.	Parts No.	Parts name	Remarks	Level	Cons	Qty
1	40114356	CTL BOX A ASM	FOR 1-PHASE 220~240V			1
2	40114357	CTL BOX B ASM	FOR 3-PHASE 200~240V			1
3	40114358	CTL BOX C ASM	FOR 1-PHASE CE 200~240V			1
4	WP0430800SC	WASHER M4	FOR 3-PHASE 200~240V, 1-PHASE CE 200~240V	*		1
5	40143989	FRAME_B	FOR 3-PHASE 200~240V, 1-PHASE CE 200~240V	*		1
6	40114136	COVER		*		1
7	40115874	FAN PLATE		*		1
8	40143990	STUD		*		2
9	40115876	PLATE B		*		1
10	40115877	MAIN PLATE		*		1
11	40115878	PLATE C		*		1
12	40115879	FAN COVER		*		1
13	40114400	MAIN PCB ASSY		*		1
14	40142267	SDC PCB ASSY		*		1
15	40105465	FLT-T PCB ASSY	FOR 3-PHASE 200~240V	*		1
16	40114398	MAIN COOL SHEET		*		2
17	40111214	FAN MOTOR ASSY		*		1
18	KX000000320	BUSH		*		1
19	KX000000260	SADDLE TYPE TIE MOUNT		*		1
20	HX00222000D	WIRE SADDLE		*		1
21	HX00292000A	CONNECTING PART		*		1
22	HX00339000M	SPACER	FOR 3-PHASE 200~240V, 1-PHASE CE 200~240V	*		6
23	SL4040881SC	SCREW M4 L=8		*		8
24	SL4041081SC	SCREW M4 L=10		*		4
25	SL4040881SC	SCREW M4 L=8		*		2
26	SL4040881SC	SCREW M4 L=8		*		2
27	SL4040881SC	SCREW M4 L=8		*		2
28	SL4040881SC	SCREW M4 L=8		*		2
29	SL4040881SC	SCREW M4 L=8		*		1
30	SL4040881SC	SCREW M4 L=8	FOR 3-PHASE 200~240V, 1-PHASE CE 200~240V	*		6
31	SL4040881SC	SCREW M4 L=8		*		1
32	SL4042091SC	SCREW M4X0.7 L=20		*		4
33	SL4041281SC	SCREW M4X0.7 L=12		*		4
34	M8002430000	STOPPER		*		4
35	40105475	FLT-CE PCB ASSY	FOR 1-PHASE CE 200~240V	*		1
36	40143988	FRAME_A	FOR 1-PHASE 220~240V	*		1
37	SL4040881SC	SCREW M4 L=8		*		3
38	SL4030881SC	SCREW M3 L=8	FOR 3-PHASE 200~240V	*		1
39	CM300100001	LABEL	FOR 1-PHASE 220~240V, 1-PHASE CE 200~240V, 1-PHASE 220~240V (FOR CHINA)	*		1
40	CM300400602	VOLTAGE CAUTION LABEL L=25		*		1
41	CM300100402	VOLTAGE DANGER LABEL 3 (SMALL)	FOR 3-PHASE 200~240V	*		1
42	CM600100101	WEEE MARK LABEL S	FOR 1-PHASE CE 200~240V	*		1
43	40150131	EAC_MARK_LABEL_S	FOR 1-PHASE CE 200~240V	*		1
44	EA9500B0100	CABLE BAND		*		1

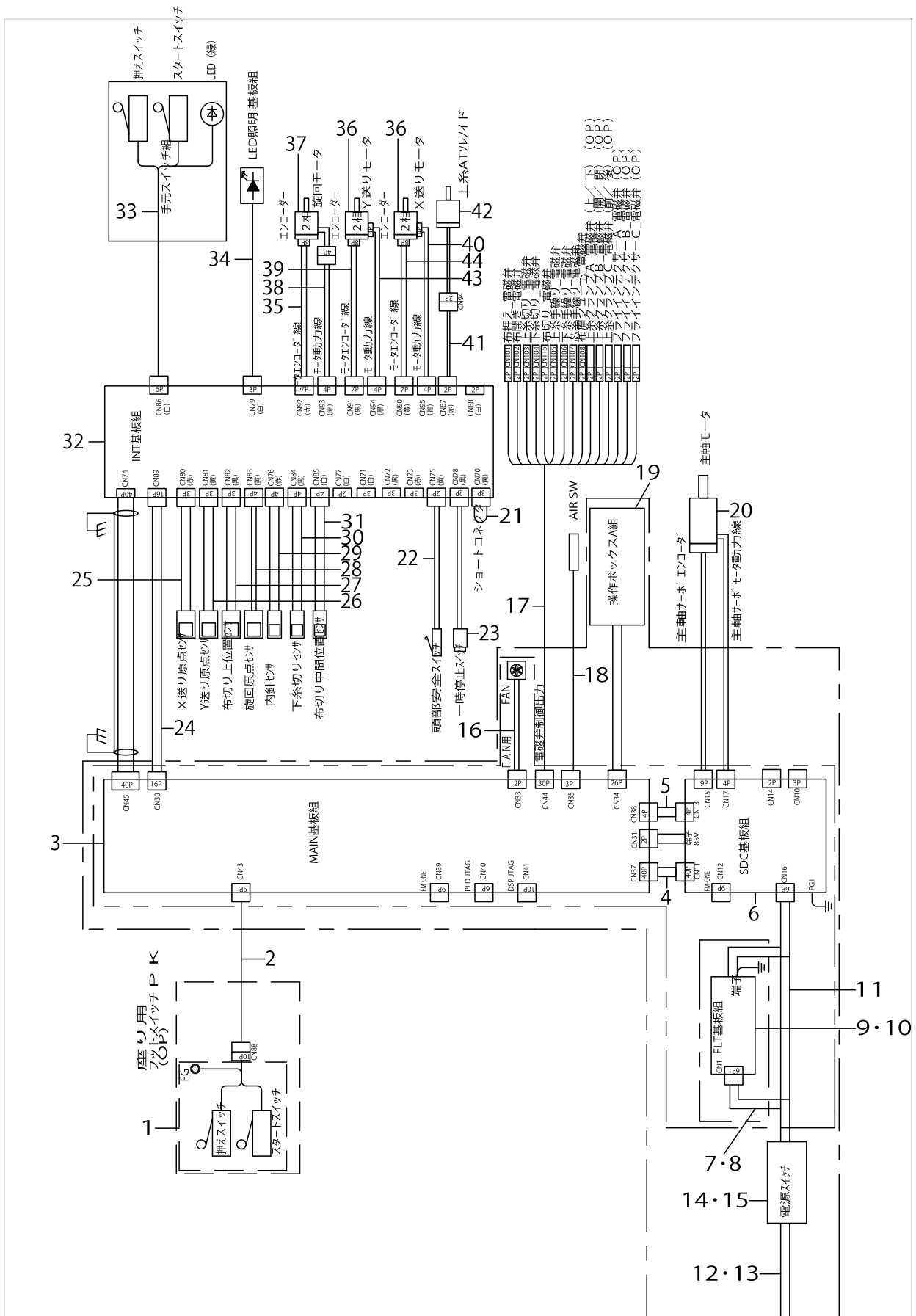
TRANSMISSION COMPONENTS



TRANSMISSION COMPONENTS

No.	Parts No.	Parts name	Remarks	Level	Cons	Qty
45	E8760452S00	TUBE		*		0.055
46	40081602	POWER SWITCH ASM				1
47	40113451	POWER SWITCH C ASM	FOR 1-PHASE 220~240V (FOR CHINA)			1
48	HA005820000	SWITCH	FOR 1-PHASE 220~240V, 3-PHASE 2-00~240V, 1-PHASE CE 200~240V	*		1
49	HA006420000	SWITCH	FOR 1-PHASE 220~240V (FOR CHINA)	*		1
50	SL4041091SE	SCREW M4 L=10		*		2
51	40081603	SWITCH INSTALLATION BOARD		*		1
52	SK3512001SE	WOOD SCREW D=5.1 L=20				2
53	WP0852086SC	WASHER M8				4
54	WS0820002KR	SPRING WASHER M8				4
55	NM6080002SC	NUT M8				4
56	HF0013050P0	FUSE 5A				1
57	HF003000200	FUSE 2A (220/240V)				1
58	HX00150000D	CABLE CLIP				2
59	SL4041091SC	SCREW M4 L=10				2
60	EA9500B0200	CABLE BAND 150				2
61	M300451100A	VOLTAGE INDICATION CARD A				1
62	MTSHJ100003	BOLT				4
63	40126054	CORE SET UP MANUAL				1

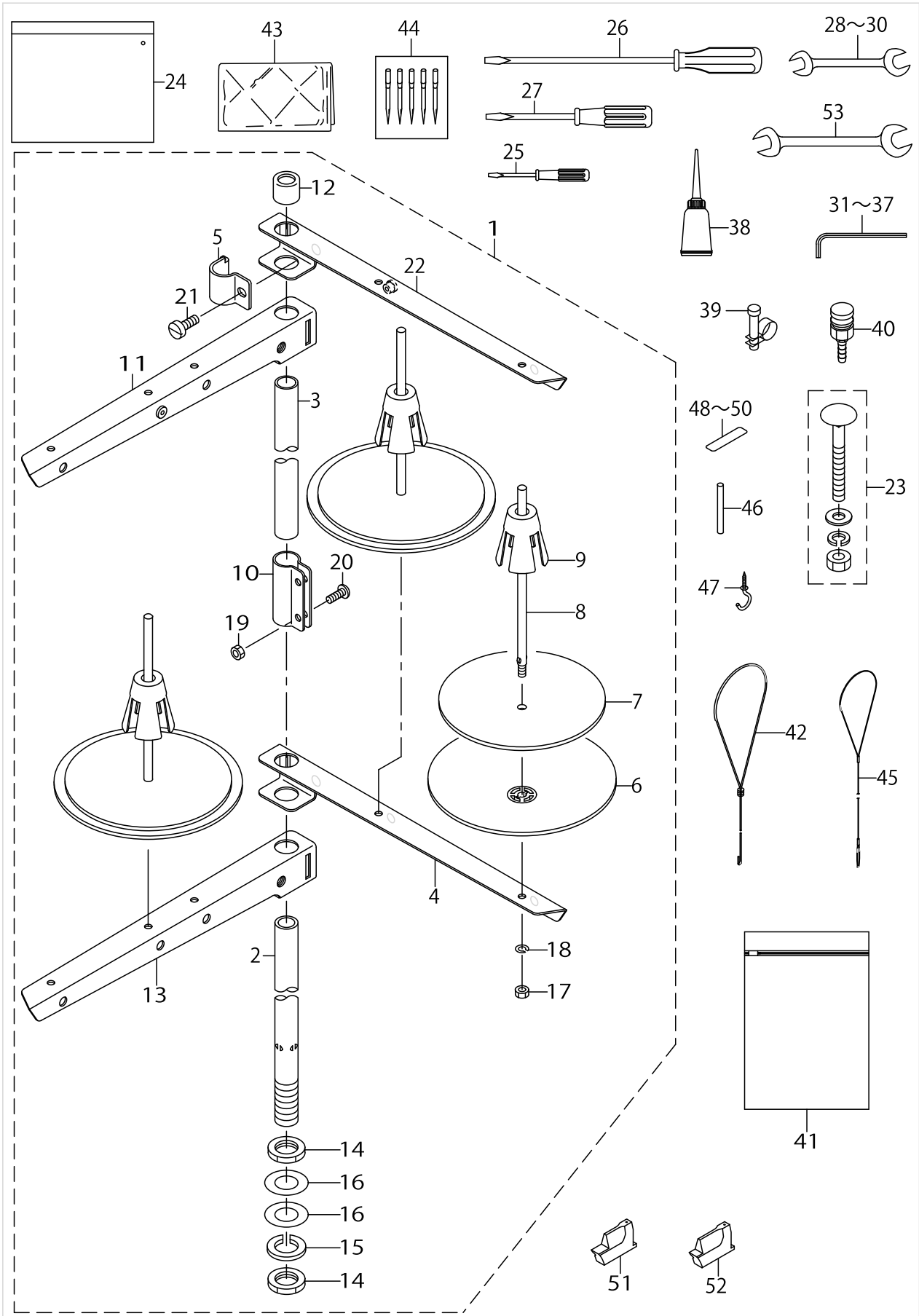
WIRING DIAGRAM



WIRING DIAGRAM

No.	Parts No.	Parts name	Remarks	Level	Cons	Qty
1	40033831	PK78 PEDAL SWITCH ASM				1
2	40114433	FSW RELAY CABLE ASM				1
3	40114400	MAIN PCB ASSY				1
4	40114375	SDC-MAIN S CORD ASM				1
5	40114373	SDC-MAIN P1 CORD ASM				1
6	40142267	SDC PCB ASSY				1
7	40114371	AC POWER CORD B ASM	FOR 3-PHASE 200~240V			1
8	40114372	AC POWER CORD C ASM	FOR 1-PHASE CE 200~240V			1
9	40105465	FLT-T PCB ASSY	FOR 3-PHASE 200~240V			1
10	40105475	FLT-CE PCB ASSY	FOR 1-PHASE CE 200~240V			1
11	40114370	AC POWER CORD A ASM	FOR 1-PHASE 220~240V			1
12	40086469	POWER CABLE 3P ASSY	FOR 3-PHASE 200~240V			1
13	40086470	POWER CABLE 1P ASSY	FOR 1-PHASE 220~240V			1
14	40081602	POWER SWITCH ASM				1
15	40113451	POWER SWITCH C ASM	FOR 1-PHASE 220~240V (FOR CHINA)			1
16	40111214	FAN MOTOR ASSY				1
17	40126412	AIR SOLENOID VALVE CORD ASM.	OPTIONAL PARTS			1
18	40115683	AIR COMBINATION				1
19	40108520	OPERATION BOX A ASSY				1
20	40114444	AC SERVO MOTOR				1
21	40114389	SHORT CONNECTOR ASM				1
22	32002255	SWITCH ASM.				1
23	40114427	SWITCH ASM.				1
24	40114443	MAIN-INT CORD A ASSY				1
25	40114420	X SENSOR ASM				1
26	40114421	Y SENSOR ASM				1
27	40114422	CU SENSOR ASM				1
28	40114423	R SENSOR ASM				1
29	40114424	IN SENSOR ASM				1
30	40114425	LT SENSOR ASM				1
31	40114426	CM POS SENSOR ASM				1
32	40114390	INT PCB ASM				1
33	40115136	START SWITCH ASM				1
34	40114380	LED PCB ASSY				1
35	40114441	R ENCODER CABLE ASM				1
36	40134501	ENCODER MOTOR ASM(XY)				2
37	40134502	ENCODER MOTOR ASM(R)				1
38	40114438	R MOTOR CABLE ASM				1
39	40114440	Y ENCODER CABLE ASM				1
40	40114436	X MOTOR CABLE ASM				1
41	40114442	SOLENOID RELAY CABLE ASM				1
42	32054900	AT (UPPER)				1
43	40114437	Y MOTOR CABLE ASM				1
44	40114439	X ENCODER CABLE ASM				1

ACCESSORY PARTS COMPONENTS

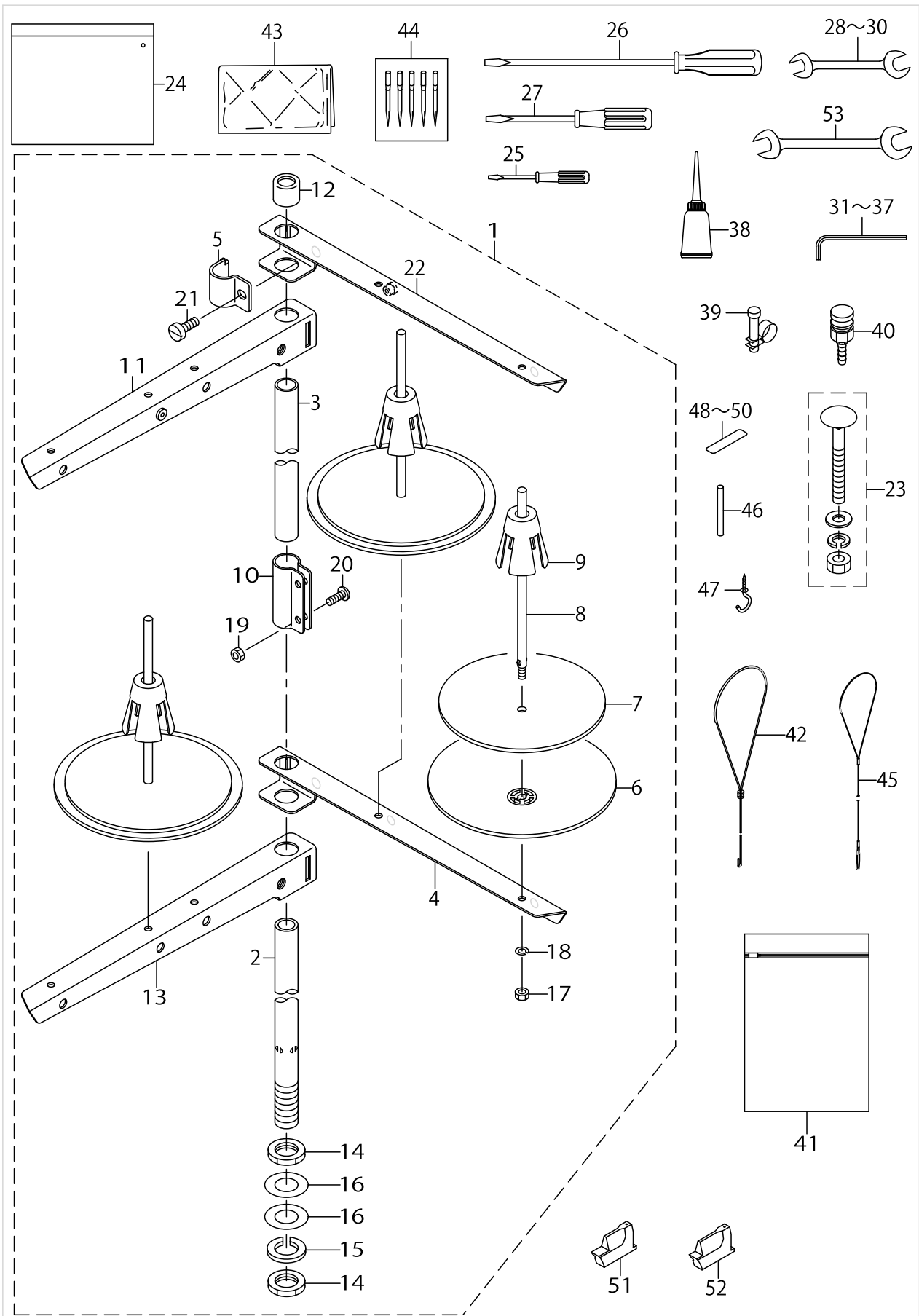


ACCESSORY PARTS COMPONENTS

No.	Parts No.	Parts name	Remarks	Level	Cons	Qty
1	13850052	THREAD STANDING DEVICE ASM.				1
2	22930309	SPOOL REST ROD LOWER		*		1
3	22930408	SPOOL REST ROD UPPER		*		1
4	22930507	SPOOL REST ARM		*		1
5	22930705	THREAD GUIDE ARM JOINT		*		4
6	22930804	SPOOL REST		*		3
7	22930903	SPOOL REST CUSHION		*		3
8	22931000	SPOOL PIN		*		3
9	22931109	SPOOL RETAINER		*		3
10	22931307	SPOOL REST ROD JOINT		*		1
11	13168950	THREAD STANDING ARM A ASM.		*		1
12	22931406	SPOOL REST ROD RUBBER CAP		*		1
13	13168901	THREAD STANDING ARM A		*		1
14	NM6160511SE	NUT M16X1.5		*		2
15	WS1643202KR	SPRING WASHER		*		1
16	WP1612616SE	WASHER 16X30X2.6		*		2
17	NM6050001SE	NUT M5		*		3
18	WS0510002KN	SPRING WASHER M5		*		3
19	NM6050001SE	NUT M5		*		2
20	SM4051405SE	SCREW M5 L=14		*		2
21	SM6061610SC	SCREW M6 L=16		*		4
22	22930556	THREAD STANDING ARM ASM.		*		1
23	MTJMS00000S	SCREW SET				4
24	22932800	ACCESSORIE BAG				1
25	22933204	SCREW DRIVER SMALL				1
26	22933006	SCREW DRIVER LARGE				1
27	22933105	SCREW DRIVER MIDDLE				1
28	B9143372000	WRENCH (7.1X8.1)				1
29	B9113012000	WRENCH (9X10)				1
30	26034702	WRENCH				1
31	MAI17001000	SPANNER (1.5)				1
32	J106600000C	HEXAGONAL WRENCH KEY 2.5				1
33	GCT02905000	SPANNER				1
34	J106600000D	HEXAGONAL WRENCH KEY				1
35	B9140372000	HEXAGONAL WRENCH SMALL				1
36	GCT02906000	HEXAGONAL SPANNER				1
37	B9142372000	HEXAGONAL WRENCH (7.1X8.1)				1
38	B91210120A0	OILER ASM.				1
39	PB000010000	HOSE BAND				1
40	PJ309520001	SOCKET				1
41	40139091	DUST_BAG				1
42	14058002	THREADER				1
43	26234005	VINYL COVER				1
44	MC185801102	NEEDLE SCHMETZ 558 NM110-2			☆	1
45	40115727	THREADER				1
46	PH0400402C0	PARALLEL PIN				2
47	D2113555B00	CORD SET HOOK B				1



ACCESSORY PARTS COMPONENTS



ACCESSORY PARTS COMPONENTS

No.	Parts No.	Parts name	Remarks	Level	Cons	Qty
48	40115638	SPACER 01				1
49	40115639	SPACER 02				1
50	40115640	SPACER 03				1
51	40115668	HAMMER 22MM EYELET H	TYPE C		☆	1
52	40115669	HAMMER 26MM EYELET H	TYPE J		☆	1
53	J1043000A0A	WRENCH 10X13				2

TABLE COMPONENTS

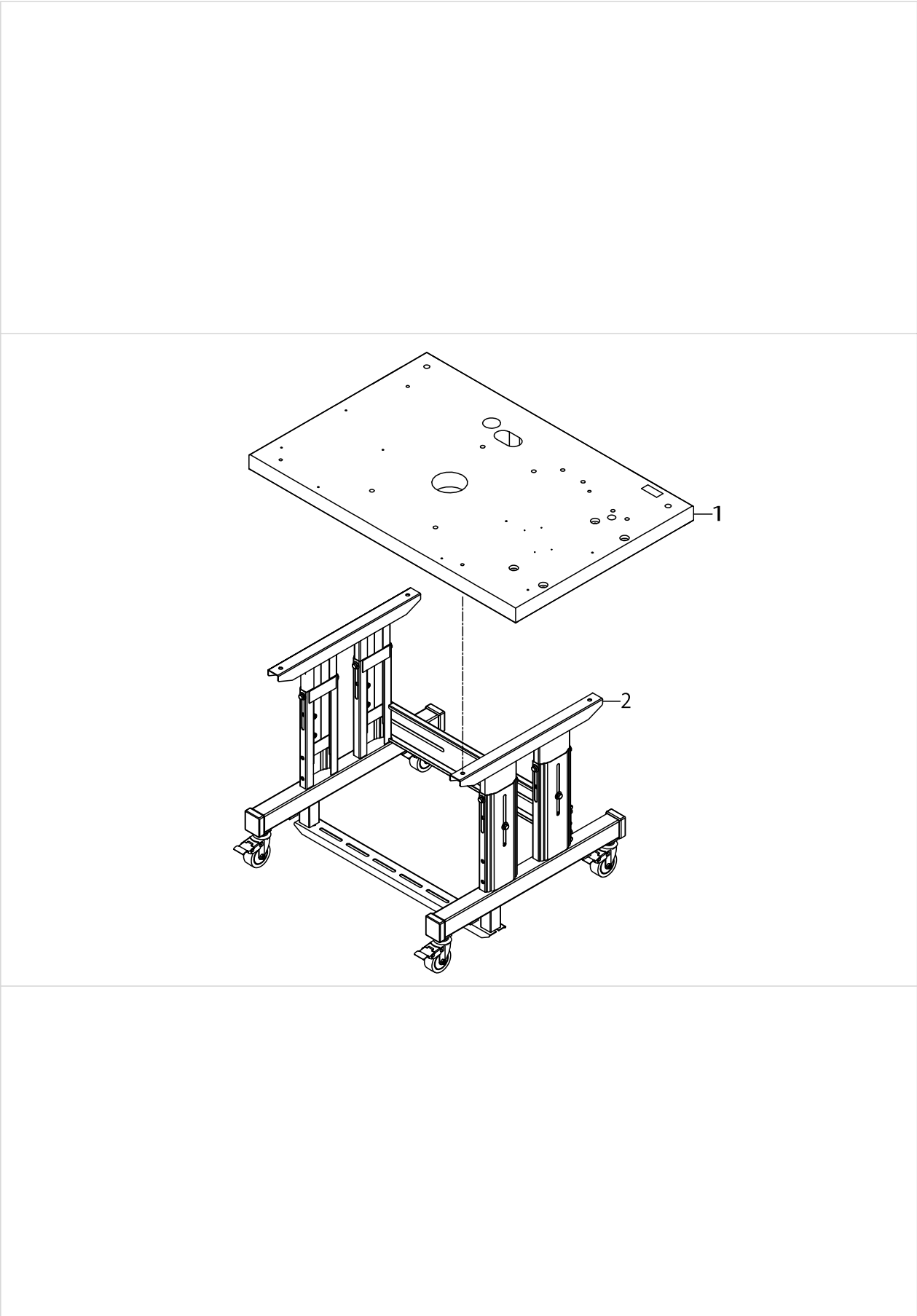
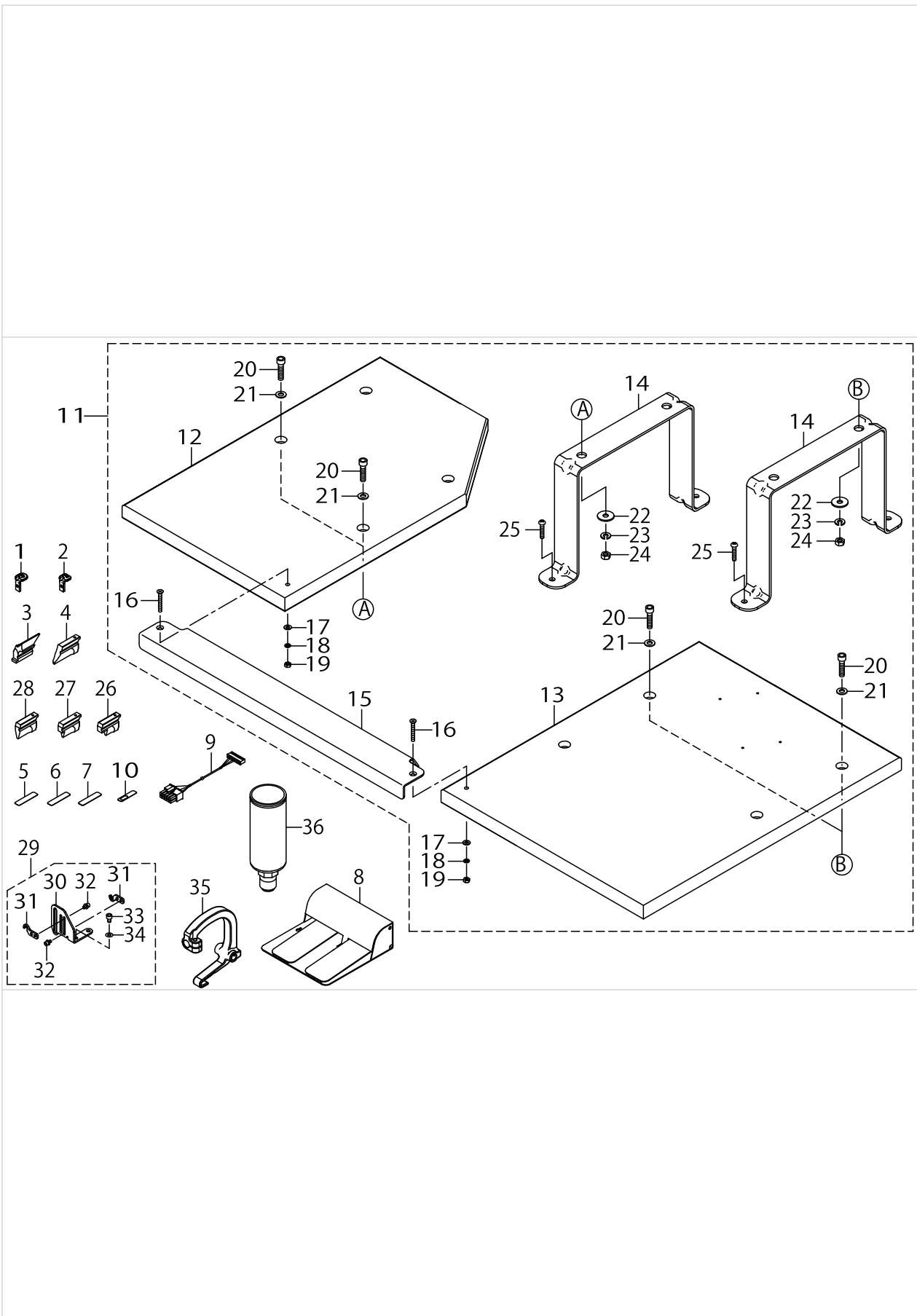


TABLE COMPONENTS

No.	Parts No.	Parts name	Remarks	Level	Cons	Qty
1	40132272	TABLE_ASM				1
2	40126322	STAND ASM.				1

OPTION COMPONENTS

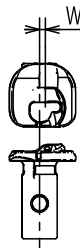



OPTION COMPONENTS

No.	Parts No.	Parts name	Remarks	Level	Cons	Qty
1	40115403	NEEDLE PLATE A00			☆	1
2	40115404	NEEDLE PLATE A01			☆	1
3	40115665	KNIFE 38MM			☆	1
4	40115670	HAMMER 38MM EYELET H			☆	1
5	40115638	SPACER 01				1
6	40115639	SPACER 02				1
7	40115640	SPACER 03				1
8	40033831	PK78 PEDAL SWITCH ASM				1
9	40114433	FSW RELAY CABLE ASM				1
10	40115728	SPACER 02 (KNIFE)				1
11	40115994	PH=SUB TABLE ASM				1
12	40126870	SUB_TABLE_L		*		1
13	40126871	SUB_TABLE_R		*		1
14	40126872	SUB_TABLE_BRACKET		*		4
15	40126873	SUB_TABLE_BEAM		*		1
16	SM1043001SP	SCREW M4X0.7 L=30		*		2
17	WP0430801SC	WASHER M4		*		2
18	WS0410002KN	SPRING WASHER M4		*		2
19	NM6040001SC	NUT M4X0.7 TYPE1		*		2
20	SM6062502TN	SCREW		*		8
21	WP0651001SC	WASHER		*		8
22	WP0651646SC	WASHER		*		8
23	WS0610002KN	SPRING WASHER M6		*		8
24	NM6060001SC	NUT M6X1 TYPE1		*		8
25	SK3582501SE	WOOD SCREW D=5.8 L=25		*		8
26	40122565	HAMMER_18MM_EYELET_H			☆	1
27	40122566	HAMMER_24MM_EYELET_H			☆	1
28	40122567	HAMMER_28MM_EYELET_H			☆	1
29	40146876	BALANS_THREAD_GUIDE_ASM				1
30	40146877	BALANS_THREAD_GUIDE_BASE		*		1
31	40146878	BALANS_THREAD_GUIDE		*		2
32	SL6030692TN	SCREW M3 L=6		*		2
33	SM6040602TN	BOLT		*		2
34	WP0430801SC	WASHER M4		*		2
35	40132257	PRESSER ARM BASE RH				1
36	40115690	FLOAT_TYPE_AUTO_DRAIN			☆	1

TABLE OF EXCHANGING GAUGE PARTS (1)

Throat plate  
針板

Name of part 品名	A01 (for narrow needle throwing width) (細振幅用)	B01 (for wide needle throwing width) (広振幅用)	A00 (for narrow needle throwing width) (細振幅用)	B00 (for wide needle throwing width) (広振幅用)
Applicable needle throwing width 適用かがり幅	2.0~3.2mm	2.0~4.0mm	2.0~3.2mm	2.0~4.0mm
Needle size 針番手	#90~#110			
Gimp position W 芯糸位置W	1.8			
Shape 形状				
Ref.No.	1	2	3	4
Part No.	40115404	40115406	40115403	40115405
Type 仕様	For J01 and C01 types Option J01, C01仕様用 オプション	For J01 and C01 types Standard J01, C01仕様用 標準	For J00 and C00 types Option J00, C00仕様用 オプション	For J00 and C00 types Standard J00, C00仕様用 標準

Presser set  
押え足

The mark in ( ) parentheses shows the standard equipment for each type.  
( )内の記号は、各仕様の標準装備品です。


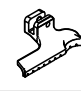
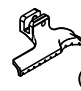
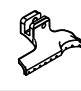
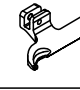
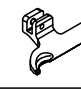
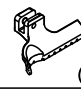
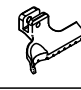




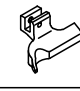

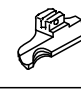
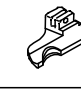
Presser set(left) 押え足左	Name of part 品名	Compensating foot for eyelet buttonhole 34mm はと目穴用段押え 34mm	Compensating foot for eyelet buttonhole 38mm はと目穴用段押え 38mm	Edge presser for eyelet hole 34mm はと目穴用際押え 34mm	Edge presser for eyelet hole 38mm はと目穴用際押え 38mm
	Shape 形状	 (C01)	 (C00)	 (J01)	 (J00)
	Ref.No.	5	6	7	8
	Part No.	40115325	40115309	40115241	40115239
Presser set(right) 押え足右	Shape 形状	 (C01)	 (C00)	 (J01)	 (J00)
	Ref.No.	9	10	11	12
	Part No.	40115324	40115316	40115240	40115238
	Presser set(left) 押え足左	Name of part 品名	Edge presser for eyelet hole 32mm はと目穴用際押え 32mm	Edge presser for eyelet hole 22mm はと目穴用際押え 22mm	For eyelet buttonhole 32mm はと目穴用 32mm
Shape 形状					
Ref.No.		13	14	15	16
Part No.		40035239	40039844	14059604	14059802
Presser set(right) 押え足右	Shape 形状				
	Ref.No.	17	18	19	20
	Part No.	40035238	40039843	14059505	14059703

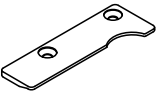

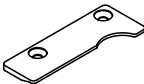

TABLE OF EXCHANGING GAUGE PARTS (1)

No.	Parts No.	Parts name	Remarks	Level	Cons	Qty
1	40115404	NEEDLE PLATE A01				1
2	40115406	NEEDLE PLATE B01				1
3	40115403	NEEDLE PLATE A00				1
4	40115405	NEEDLE PLATE B00				1
5	40115325	PRESSER FOOT L_34				1
6	40115309	PRESSER FOOT L				1
7	40115241	PRESSER FOOT L_34				1
8	40115239	PRESSER FOOT L_38				1
9	40115324	PRESSER FOOT R_34				1
10	40115316	PRESSER FOOT R				1
11	40115240	PRESSER FOOT R_34				1
12	40115238	PRESSER FOOT R_38				1
13	40035239	PRESSER FOOT LEFT W (M)				1
14	40039844	PRESSER FOOT LEFT W (S)				1
15	14059604	PRESSER FOOT LEFT 32MM				1
16	14059802	PRESSER FOOT LEFT 22MM				1
17	40035238	PRESSER FOOT RIGHT W (M)				1
18	40039843	PRESSER FOOT RIGHT W (S)				1
19	14059505	PRESSER FOOT RIGHT 32MM				1
20	14059703	PRESSER FOOT RIGHT 22MM				1

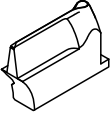
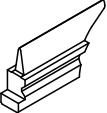


TABLE OF EXCHANGING GAUGE PARTS (2)

Presser holding plate  
押え受け板

Name of part 品名	Eyelet buttonhole presser holding plate, left はと目押え受板左	Eyelet buttonhole presser holding plate, right はと目押え受板右	Eyelet buttonhole presser holding plate, left はと目押え受板左	Eyelet buttonhole presser holding plate, right はと目押え受板右
Shape of hole 穴形状	はと目穴		はと目穴	
Stitch length 縫い長さ	10~34		10~38	
Shape 形状				
Ref.No.	1	2	3	4
Part No.	40115322	40115323	32027104	32027005
Type 仕様	For J01 and C01 types J 01, C 01仕様用		For J00 and C00 types J 00, C 00仕様用	

Cloth cutting knife  
布切りメス

Name of part 品名	For eyelet buttonhole はと目穴用	For decorative buttonhole 眠り穴用					
Shape 形状							
		Ref.No.	Part No.	X	Y	L	Remarks 備考
Eyelet buttonhole はと目穴	Provided as standard 標準装備	5	40115664	2.8	4.3	26	
	Only for the sewing machine provided with the needle thread trimmer 針糸切り仕様のみ	6	40115665	2.9	4.4	38	
		7	32063604	2.9	4.4	24	Optional spacer is used オプションスペーサ使用
		8	32063703	2.9	4.4	32	
	Only for the sewing machine provided with the needle thread trimmer 針糸切り仕様のみ	9	32063802	2.1	3.2	38	
		10	32063901	2.1	3.2	24	
		11	32064008	2.1	3.2	32	
		12	32064107	3.2	5.4	38	
		13	32064206	3.2	5.4	24	
		14	32064305	3.2	5.4	32	
Only for the sewing machine provided with the needle thread trimmer 針糸切り仕様のみ	15	32066904	2.7	5.1	38		
Decorative buttonhole 眠り穴		16	14041404	0	0	38	
		17	32065302	0	0	24	
		18	32065401	0	0	32	


Optional spacer オプションスペーサ	
	
Ref.No.	Part No.
19	40115728

TABLE OF EXCHANGING GAUGE PARTS (2)

No.	Parts No.	Parts name	Remarks	Level	Cons	Qty
1	40115322	HOLDING PLATE PIGHT				1
2	40115323	HOLDING PLATE LEFT				1
3	32027104	HOLDING PLATE LEFTT				1
4	32027005	HOLDING PLATE RIGHT				1
5	40115664	KNIFE				1
6	40115665	KNIFE 38MM				1
7	32063604	CUTTING KNIFE (EYELET) S				1
8	32063703	CUTTING KNIFE (EYELET) M				1
9	32063802	CUTTING KNIFE (EYELET) 1				1
10	32063901	CUTTING KNIFE (EYELET) 1S				1
11	32064008	CUTTING KNIFE (EYELET) 1M				1
12	32064107	CUTTING KNIFE (EYELET) 5				1
13	32064206	CUTTING KNIFE (EYELET) 5S				1
14	32064305	CUTTING KNIFE (EYELET) 5M				1
15	32066904	CUTTING KNIFE (EYELET) 6				1
16	14041404	CUTTING KNIFE (DECORATIVE)				1
17	32065302	CUTTING KNIFE (DECORATIVE) S				1
18	32065401	CUTTING KNIFE (DECORATIVE) M				1
19	40115728	SPACER 02 (KNIFE)				1

TABLE OF EXCHANGING GAUGE PARTS (3)

Knife holder  
刃受け

Name of part 品名		For eyelet buttonhole はと目穴用	
Shape 形状			
Size(mm)	Ref.No.	Part No.	Remarks 備考
3 8	1	40115670	
2 8	37	40122567	
2 6	2	40115669	(J accessories J付属)
2 4	38	40122566	
2 2	3	40115668	(C accessories C付属)
1 8	39	40122565	
2 0	4	40115667	(J)
1 6	5	40115666	(C)
3 8	6	32067209	Optional spacer is used オプションスペーサ使用
3 6	7	32067308	
3 4	8	32067407	
3 2	9	32067506	
3 0	10	32067605	
2 8	11	32067704	
2 6	12	32067803	
2 4	13	32067902	
2 2	14	32068009	
2 0	15	32068108	
1 8	16	32068207	
1 6	17	32068306	
1 4	18	32068405	
1 2	19	32068504	
1 0	20	32068603	

The mark in ( ) parentheses shows the standard equipment for each type.  
( )内の記号は、各仕様の標準装備品です。

Name of part 品名		For decorative buttonhole 眠り穴用	
Shape 形状			
Size(mm)	Ref.No.	Part No.	Remarks 備考
3 8	21	14042501	Optional spacer is used オプションスペーサ使用
3 6	22	32064404	
3 4	23	32064503	
3 2	24	14042600	
3 0	25	32064602	
2 8	26	32064701	
2 6	27	14042808	
2 4	28	32064800	
2 2	29	14042907	
2 0	30	32064909	
1 8	31	32065005	
1 6	32	14043103	
1 4	33	32065104	
1 2	34	32065203	
1 0	35	14043301	


Optional spacer オプションスペーサ	
	
Ref.No.	Part No.
36	40115639

TABLE OF EXCHANGING GAUGE PARTS (3)

No.	Parts No.	Parts name	Remarks	Level	Cons	Qty
1	40115670	HAMMER 38MM EYELET H				1
2	40115669	HAMMER 26MM EYELET H				1
3	40115668	HAMMER 22MM EYELET H				1
4	40115667	HAMMER 20MM EYELET H				1
5	40115666	HAMMER 16MM EYELET H				1
6	32067209	KNIFE HOLDER 38MM (EYELET) H				1
7	32067308	KNIFE HOLDER 36MM (EYELET) H				1
8	32067407	KNIFE HOLDER 34MM (EYELET) H				1
9	32067506	KNIFE HOLDER 32MM (EYELET) H				1
10	32067605	KNIFE HOLDER 30MM (EYELET) H				1
11	32067704	KNIFE HOLDER 28MM (EYELET) H				1
12	32067803	KNIFE HOLDER 26MM (EYELET) H				1
13	32067902	KNIFE HOLDER 24MM (EYELET) H				1
14	32068009	KNIFE HOLDER 22MM (EYELET) H				1
15	32068108	KNIFE HOLDER 20MM (EYELET) H				1
16	32068207	KNIFE HOLDER 18MM (EYELET) H				1
17	32068306	KNIFE HOLDER 16MM (EYELET) H				1
18	32068405	KNIFE HOLDER 14MM (EYELET) H				1
19	32068504	KNIFE HOLDER 12MM (EYELET) H				1
20	32068603	KNIFE HOLDER 10MM (EYELET) H				1
21	14042501	KNIFE HOLDER 40MM DECORATIVE				1
22	32064404	KNIFE HOLDER 36MM DECORATIVE				1
23	32064503	KNIFE HOLDER 34MM DECORATIVE				1
24	14042600	KNIFE HOLDER 32MM DECORATIVE				1
25	32064602	KNIFE HOLDER 30MM DECORATIVE				1
26	32064701	KNIFE HOLDER 28MM DECORATIVE				1
27	14042808	KNIFE HOLDER 26MM DECORATIVE				1
28	32064800	KNIFE HOLDER 24MM DECORATIVE				1
29	14042907	KNIFE HOLDER 22MM DECORATIVE				1
30	32064909	KNIFE HOLDER 20MM DECORATIVE				1
31	32065005	KNIFE HOLDER 18MM DECORATIVE				1
32	14043103	KNIFE HOLDER 16MM DECORATIVE				1
33	32065104	KNIFE HOLDER 14MM DECORATIVE				1
34	32065203	KNIFE HOLDER 12MM DECORATIVE				1
35	14043301	KNIFE HOLDER 10MM DECORATIVE				1
36	40115639	SPACER 02				1
37	40122567	HAMMER_28MM_EYELET_H				1
38	40122566	HAMMER_24MM_EYELET_H				1
39	40122565	HAMMER_18MM_EYELET_H				1

LIST FOR INFORMATION OF CHANGE

As to the place changed, refer to the corresponding Rev.No.  
 When previous parts(Obsoleted part)and new parts(Added parts)are  
 not interchangeable with each other:  
 In this case,even obsoleted parts(D.)can be ordered with the  
 obsoleted part number,so select the parts with changed dates and  
 place your orders.

変更箇所は、該当Rev.No.版をご参照ください。

部品の互換性がない変更の場合は、削除された品番でも、ご注文できます。

40115754  
 No.1593-06 Rev.No.

\*A:Added parts追加部品/D:Obsoleted parts削除部品/E:Erratum訂正

* Rev. No.	Page 頁	Ref. No.	Parts No. 品番	* Rev. No.	Page 頁	Ref. No.	Parts No. 品番		
D	05	26	1	401-15417	A	06	26	1	401-70906
D	05	26	2	SM-80608A2-TP	A	06	26	2	SM-80508A2-TP
D	05	28	3	401-15452	A	06	28	3	401-70907
D	05	28	4	SM-80606A2-TP	A	06	28	4	SM-80506A2-TP
D	05	52	5	401-14137	A	06	52	5	401-43989
D	05	52	8	401-15875	A	06	52	8	401-43990
D	05	52	14	401-05377	A	06	52	14	401-42267
D	05	52	24	SL-4040881-SC	A	06	52	24	SL-4041081-SC
D	05	52	36	401-14178	A	06	52	36	401-43988
D	05	54	6	401-05377	A	06	54	6	401-42267

## HOW TO MAKE USE OF THIS PARTS LIST

### 1.Explanation of codes

1)"\*"mark.....means this part is changed from the previous parts book.

As to the details of the change, refer to the "List for information of change".

2)"#01".....refer to "Note" explanation at bottom of page.

### 2.Codes on the "Qty" column

- Each numeral indicates the number of parts required.
- "0.1" and "2.5" indicate the length (in meters) of the respective parts.

3.Parentheses mean that the corresponding part is a subpart that constructs an assembly part.

4.Dotted lines on the Figures indicate assembly parts.

5.As to the parts with marks of "☆"(consumable parts) and "◎"(optional parts)on the respective parts, it is recommended to prepare spares.

### 1 ."注記"欄の記号説明

1) "\*"印.....前回のパーツブックに比較して今回変更された部品を意味します。

変更内容は、"変更情報リスト"を参照してください。

2) "#01".....ページ下の"注記"の説明を参照してください。

2.数量欄の数字は、個数を表し、0.1、2.5等の数値は、長さ（単位メートル）を表します。

3.数量欄の（ ）は、組部品を構成している子部品であることを意味します。

4.イラストページの-----枠は、組構成であることを意味します。

5.リストページの"☆"（消耗部品）、"◎"（オプション部品）の印がついた部品は、予備を準備しておくことをお奨めします。

# NUMERICAL INDEX OF PARTS

PART NO	PAGE	REF NO.	PART NO	PAGE	REF NO.	PART NO	PAGE	REF NO.
10109700	42	65	14059505	94	19	26501502	18	50
10112704	40	6	14059604	94	15	32002008	6	47
10523504	16	14	14059703	94	20	32002255	10	11
10622009	4	49	14059802	94	16	32002255	84	22
11001005	2	29	16121907	64	12	32006504	12	84
12922605	14	102	22502504	60	13	32012205	20	41
13149901	24	15	22604805	74	56	32012601	22	55
13168901	86	13	22901805	10	7	32012700	22	57
13168950	86	11	22902506	2	21	32012809	22	53
13170105	72	4	22921407	58	6	32027005	28	12
13172903	24	30	22921407	62	6	32027005	30	11
13309208	48	29	22921407	68	39	32027005	96	4
13312202	44	49	22921803	58	7	32027104	28	11
13312202	46	49	22921803	62	7	32027104	30	12
13332705	62	18	22921803	68	40	32027104	96	3
13332705	68	46	22928907	58	8	32027203	32	23
13341102	58	5	22928907	62	8	32027401	32	25
13341102	62	5	22928907	68	41	32034308	36	32
13341102	68	38	22930309	86	2	32034803	4	52
13409800	60	2	22930408	86	3	32040305	40	27
13416508	10	30	22930507	86	4	32052409	40	15
13850052	86	1	22930556	86	22	32053506	60	20
14009104	54	25	22930705	86	5	32054900	60	14
14009203	54	26	22930804	86	6	32054900	84	42
14010508	32	51	22930903	86	7	32055501	60	16
14010508	34	51	22931000	86	8	32063604	96	7
14012504	6	46	22931109	86	9	32063703	96	8
14028708	42	58	22931307	86	10	32063802	96	9
14030001	42	71	22931406	86	12	32063901	96	10
14030100	60	8	22932800	86	24	32064008	96	11
14039507	64	24	22933006	86	26	32064107	96	12
14040703	64	5	22933105	86	27	32064206	96	13
14040802	64	26	22933204	86	25	32064305	96	14
14041404	96	16	23604200	44	9	32064404	98	22
14042501	98	21	23604200	48	7	32064503	98	23
14042600	98	24	23630007	42	79	32064602	98	25
14042808	98	27	23630007	72	51	32064701	98	26
14042907	98	29	23630007	74	51	32064800	98	28
14043103	98	32	26034702	86	28~30	32064909	98	30
14043301	98	35	26037200	2	26	32065005	98	31
14044903	40	29	26217604	6	49	32065104	98	33
14045306	40	16	26217604	8	49	32065203	98	34
14045801	54	33	26217604	60	15	32065302	96	17
14045900	54	32	26234005	86	43	32065401	96	18
14058002	86	42	26501502	16	50	32066904	96	15

# NUMERICAL INDEX OF PARTS

PART NO	PAGE	REF NO.	PART NO	PAGE	REF NO.	PART NO	PAGE	REF NO.
32067209	98	6	40081602	82	46·47	40114420	84	25
32067308	98	7	40081602	84	14·15	40114421	18	66
32067407	98	8	40081603	82	51	40114421	84	26
32067506	98	9	40086469	84	12·13	40114422	66	54
32067605	98	10	40086470	84	12·13	40114422	84	27
32067704	98	11	40086712	52	9	40114423	36	46
32067803	98	12	40089784	10	47	40114423	84	28
32067902	98	13	40099923	56	17	40114424	44	19
32068009	98	14	40099989	56	3~6	40114424	84	29
32068108	98	15	40099990	56	3~6	40114425	24	42
32068207	98	16	40099991	56	3~6	40114425	84	30
32068306	98	17	40099992	56	3~6	40114426	66	55
32068405	98	18	40100145	12	55	40114426	84	31
32068504	98	19	40100390	12	51	40114427	2	47
32068603	98	20	40105465	80	15·35	40114427	84	23
32068900	64	25	40105465	84	9·10	40114430	6	3
32075301	66	59	40105475	80	15·35	40114433	84	2
32078800	6	4	40105475	84	9·10	40114433	92	9
32079105	6	7	40108520	78	1	40114436	84	40
40005692	78	3	40108520	84	19	40114437	84	43
40005693	78	4	40108521	78	2	40114438	84	38
40005697	78	13	40108529	78	5	40114439	84	44
40006515	48	33	40108530	78	6	40114440	84	39
40006516	48	35	40111214	80	17	40114441	84	35
40006840	40	35	40111214	84	16	40114442	84	41
40008423	60	19	40113451	82	46·47	40114443	84	24
40010414	62	15	40113451	84	14·15	40114444	48	1
40010477	60	31	40114136	80	6	40114444	84	20
40015692	40	43	40114356	80	1~3	40115110	2	8
40015693	40	44	40114357	80	1~3	40115112	2	9
40020191	72	47	40114358	80	1~3	40115113	2	20
40020389	60	21	40114370	84	11	40115115	2	22
40020390	60	33	40114371	84	7·8	40115116	6	35
40030628	20	32	40114372	84	7·8	40115119	2	24
40033831	84	1	40114373	84	5	40115120	2	30
40033831	92	8	40114375	84	4	40115121	2	32
40035238	94	17	40114380	2	42	40115122	2	35
40035239	94	13	40114380	84	34	40115124	2	36
40039843	94	18	40114389	84	21	40115125	2	38
40039844	94	14	40114390	10	19	40115126	2	39
40044053	48	39	40114390	84	32	40115127	2	40
40051473	48	5	40114398	80	16	40115129	2	43
40055811	70	62	40114400	80	13	40115130	6	24
40072396	70	50	40114400	84	3	40115131	6	26
40072396	76	16	40114420	16	38	40115132	6	37



## NUMERICAL INDEX OF PARTS

PART NO	PAGE	REF NO.	PART NO	PAGE	REF NO.	PART NO	PAGE	REF NO.
40115134	6	45	40115201	16	20	40115251	24	16
40115136	6	1	40115202	16	28	40115252	24	9
40115136	84	33	40115203	16	21	40115254	24	10
40115137	6	2	40115204	16	29	40115255	24	12
40115138	6	5	40115205	16	24	40115256	24	14
40115139	6	6	40115206	16	26	40115257	24	17
40115140	6	17	40115207	16	33	40115258	24	24
40115141	6	18	40115208	16	34	40115259	24	19
40115142	6	20	40115209	18	52	40115260	24	21
40115143	6	22	40115210	18	53	40115261	24	22
40115157	10	1	40115211	18	54	40115262	24	23
40115159	10	38	40115212	18	55	40115263	24	27
40115160	14	96	40115213	18	56	40115265	24	32
40115161	14	95	40115214	18	64	40115266	24	35
40115162	10	14	40115215	16	40	40115267	24	37
40115163	10	15	40115216	18	68	40115268	24	38
40115164	10	17	40115217	18	73	40115269	24	39
40115166	10	20	40115219	18	74	40115271	24	40
40115167	10	23	40115221	72	27	40115272	24	36
40115168	10	25	40115222	72	23	40115277	26	1
40115169	10	28	40115223	72	28	40115278	26	3
40115170	10	32	40115224	72	24	40115280	26	4
40115171	10	35	40115225	72	15	40115282	26	6
40115172	10	39	40115227	20	1	40115283	26	8
40115173	10	41	40115228	20	60	40115284	26	9
40115174	10	44	40115228	22	60	40115285	26	10
40115175	10	46	40115229	20	6	40115286	26	13
40115176	12	54	40115230	20	27	40115288	26	14
40115177	12	60	40115231	20	30	40115289	26	18
40115178	12	65	40115232	20	11	40115290	26	20
40115179	12	66	40115233	20	12	40115291	26	24
40115180	12	69	40115234	20	44	40115292	26	27
40115181	12	71	40115235	20	48	40115302	32	4
40115182	12	72	40115235	22	48	40115303	32	26
40115183	12	73	40115236	20	33	40115304	32	16
40115184	12	76	40115237	20	35	40115305	32	28
40115185	12	77	40115238	28	8	40115307	28	16
40115186	12	81	40115238	94	12	40115307	30	16
40115188	12	89	40115239	28	7	40115309	30	8
40115189	10	13	40115239	94	8	40115309	94	6
40115190	10	8	40115240	28	19	40115310	32	38
40115197	16	8	40115240	94	11	40115311	32	40
40115198	16	9	40115241	28	20	40115313	32	43
40115199	16	12	40115241	94	7	40115314	32	44
40115200	16	15	40115249	24	6	40115316	30	7

# NUMERICAL INDEX OF PARTS

PART NO	PAGE	REF NO.	PART NO	PAGE	REF NO.	PART NO	PAGE	REF NO.
40115316	94	10	40115377	40	41	40115437	44	47
40115317	34	55	40115378	40	42	40115438	46	50
40115318	32	30	40115379	40	47	40115439	44	18
40115321	28	10	40115380	40	46	40115440	44	39
40115321	30	9	40115381	42	48	40115441	44	45
40115322	28	22	40115382	42	50	40115442	46	51
40115322	30	22	40115383	42	51	40115448	54	30
40115322	96	1	40115384	42	56	40115453	48	9
40115323	28	21	40115387	42	57	40115458	48	12
40115323	30	23	40115388	42	60	40115459	48	14
40115323	96	2	40115389	42	61	40115460	48	18
40115324	30	24	40115390	42	64	40115461	48	15
40115324	94	9	40115391	42	66	40115464	48	20
40115325	30	25	40115394	42	83	40115465	48	26
40115325	94	5	40115395	42	70	40115466	44	24
40115326	28	23	40115396	42	72	40115466	48	44
40115326	30	19	40115397	40	5	40115467	48	13
40115327	28	24	40115400	40	21	40115468	48	27
40115327	30	20	40115401	40	22	40115477	50	4
40115330	32	42	40115402	40	34	40115478	50	5
40115337	36	1	40115403	92	1	40115479	50	7
40115338	36	4	40115403	94	3	40115492	54	35
40115339	36	8	40115404	92	2	40115493	52	3
40115340	36	11	40115404	94	1	40115494	52	10
40115341	36	12	40115405	42	73·74	40115495	52	12
40115342	36	14	40115405	94	4	40115496	52	13
40115343	36	19	40115406	42	73·74	40115497	52	14
40115344	36	21	40115406	94	2	40115500	52	15
40115345	36	22	40115418	44	3	40115501	52	16
40115346	36	24	40115419	44	4	40115504	52	17
40115347	36	34	40115420	44	8	40115505	52	18
40115348	36	43	40115421	44	12	40115506	52	20
40115349	38	50	40115422	44	13	40115507	52	21
40115365	40	2	40115423	44	16	40115508	52	22
40115366	40	9	40115424	46	54	40115509	52	23
40115367	40	11	40115425	44	33	40115510	52	24
40115368	40	12	40115426	44	26	40115511	52	26
40115369	40	13	40115427	44	27	40115512	52	28
40115370	40	14	40115430	44	28~31	40115513	52	29
40115371	40	20	40115431	44	28~31	40115514	52	1
40115372	40	26	40115432	44	28~31	40115524	54	34
40115373	40	31	40115433	44	28~31	40115525	54	8
40115374	40	37	40115434	44	37	40115530	54	12
40115375	40	38	40115435	44	41	40115531	54	14
40115376	40	39	40115436	44	44	40115535	54	21

## NUMERICAL INDEX OF PARTS

PART NO	PAGE	REF NO.	PART NO	PAGE	REF NO.	PART NO	PAGE	REF NO.
40115543	54	37	40115627	62	22	40115669	98	2
40115544	54	39	40115629	62	24	40115670	92	4
40115545	54	3	40115637	64	19	40115670	98	1
40115546	54	2	40115638	64	20	40115682	76	2
40115547	54	4	40115638	88	48~50	40115683	76	1
40115550	54	1	40115638	92	5	40115683	84	18
40115557	56	19	40115639	64	21	40115684	76	6
40115558	56	20	40115639	88	48~50	40115685	76	10
40115559	56	22	40115639	92	6	40115690	92	36
40115560	56	9	40115639	98	36	40115698	72	19
40115561	56	10	40115640	64	22	40115699	72	18
40115562	56	12	40115640	88	48~50	40115700	72	37
40115563	56	1	40115640	92	7	40115703	72	40
40115564	56	2	40115641	64	23	40115727	86	45
40115566	56	14	40115642	64	35	40115728	92	10
40115567	56	16	40115643	64	36	40115728	96	19
40115578	58	2	40115644	64	31	40115874	80	7
40115578	62	2	40115645	64	33	40115876	80	9
40115579	58	3	40115647	64	37	40115877	80	10
40115579	62	3	40115648	64	38	40115878	80	11
40115579	68	36	40115649	64	40	40115879	80	12
40115580	58	4	40115651	64	41	40115901	68	11
40115580	62	4	40115652	64	43	40115902	68	13
40115580	68	37	40115653	66	47	40115904	68	18
40115581	58	14	40115654	64	48	40115905	70	61
40115585	58	16	40115654	66	48	40115906	68	16
40115588	58	13	40115655	64	45	40115907	68	15
40115589	58	20	40115656	66	50	40115909	68	1
40115597	60	1	40115658	64	7	40115910	68	7
40115599	60	4	40115659	64	9	40115911	68	6
40115600	60	5	40115660	64	15	40115912	68	3
40115601	60	6	40115661	64	14	40115914	68	17
40115602	60	10	40115662	66	52	40115915	70	48
40115603	60	22	40115663	66	53	40115916	68	9
40115604	60	23	40115664	64	18	40115917	68	31
40115605	60	24	40115664	96	5	40115918	68	33
40115606	60	28	40115665	92	3	40115919	68	35
40115607	60	29	40115665	96	6	40115994	92	11
40115608	60	30	40115666	66	60·61	40118782	58	1
40115609	60	36	40115666	98	5	40119990	72	25
40115611	60	37	40115667	66	60·61	40119991	72	16·17
40115612	60	39	40115667	98	4	40119992	10	2
40115613	60	40	40115668	88	51	40119993	72	43
40115622	62	1	40115668	98	3	40119996	72	33
40115624	62	20	40115669	88	52	40120491	20	39

# NUMERICAL INDEX OF PARTS

PART NO	PAGE	REF NO.	PART NO	PAGE	REF NO.	PART NO	PAGE	REF NO.
40120513	10	5	40149782	42	67	B8111220000	14	98
40122565	92	26	40149783	42	68	B8112220000	14	97
40122565	98	39	40150131	4	60	B8202205000	14	99
40122566	92	27	40150131	80	43	B9113012000	86	28~30
40122566	98	38	40151033	64	1	B9121012000	14	100
40122567	92	28	40151034	48	10	B91210120A0	86	38
40122567	98	37	40151035	48	11	B9140372000	86	31~37
40126054	82	63	40151037	48	17	B9142372000	86	31~37
40126322	90	2	40151038	54	10	B9143372000	86	28~30
40126412	84	17	40151039	54	11	BP500000000	72	31
40126835	24	44	40151040	54	16~20	BT0400251EB	58	22
40126870	92	12	40151041	54	16~20	BT0400251EB	62	13
40126871	92	13	40151042	54	16~20	BT0400251EB	76	20
40126872	92	14	40151043	54	16~20	BT0600401EB	76	35
40126873	92	15	40151044	54	16~20	BT0800601B0	58	24
40130905	50	1	40153639	28	1	BT1000651EB	76	34
40131483	50	3	40153639	30	1	BT1200801EF	64	13
40132257	92	35	40153640	28	4	CM100300001	8	54
40132272	90	1	40153640	30	4	CM300100001	80	39
40132291	50	11	40153643	28	13	CM300100402	80	41
40132292	50	10	40153643	30	13	CM300200001	4	57
40132293	50	9	40153644	28	14	CM300200001	8	56
40133594	4	53	40153644	30	14	CM300200001	66	62
40134501	16	1	40153647	28	15	CM300200002	8	55
40134501	84	36	40153647	30	15	CM300200002	14	104
40134502	36	36	40170906	44	1	CM300200003	8	57
40134502	84	37	40170907	48	3	CM300400602	80	40
40134725	12	83	A1230500000A	48	41	CM301300001	4	58
40136294	16	4	B1128850000	58	25	CM500200001	48	38
40136295	36	37	B1135850000	40	28	CM600100101	4	59
40138570	68	19	B1212210D00	48	37	CM600100101	78	10
40139091	86	41	B1223771000	12	49	CM600100101	80	42
40139096	68	20	B1625220000	68	24	CQ200000000	42	81
40142267	80	14	B1626220000	68	25	CQ200000000	72	55
40142267	84	6	B1816280000	36	42	CQ200000000	74	55
40143988	80	5-36	B1820210D00	42	75	CQ202000000	42	76
40143989	80	5-36	B1821210D00	42	69	CQ252000000	14	103
40143990	80	8	B2107816000	24	34	CQ252200000	42	78
40144291	40	1	B2313180000	54	31	CQ252200000	52	33
40145279	54	15	B3121804000	58	9	CQ252200000	72	46
40145280	54	23	B3121804000	62	9	CQ3500000F0	42	77
40145281	54	9	B3121804000	68	42	CS0800881TP	12	56
40146876	92	29	B3501210000	2	6	CS0800881TP	32	45
40146877	92	30	B3518280000	72	20	CS1200981TP	12	79
40146878	92	31	B4328220000	42	55	CS1200981TP	36	15

NUMERICAL INDEX OF PARTS

PART NO	PAGE	REF NO.	PART NO	PAGE	REF NO.	PART NO	PAGE	REF NO.
D2113555B00	86	47	HX00222000D	80	20	PA0600504A0	62	11
E1902172000	16	36	HX002330000	70	59	PA0600504A0	68	44
E2066715000	36	17	HX00292000A	80	21	PA1000601A0	68	23
E2193172000	12	87	HX00339000F	12	91	PA1001029A0	60	9
E8760452S00	82	45	HX00339000M	80	22	PA100153400	26	22
EA9002B1100	10	3	J1043000A0A	88	53	PA100201300	24	1
EA9500B0000	18	72	J106600000C	86	31~37	PA1602009A0	68	29
EA9500B0000	40	23	J106600000D	86	31~37	PA1602011A0	32	21
EA9500B0100	6	15	KX000000260	80	19	PA1602013A0	20	37
EA9500B0100	16	47	KX000000320	80	18	PB000010000	86	39
EA9500B0100	44	35	M300451100A	82	61	PC012401000	76	29
EA9500B0100	72	32	M8002430000	80	34	PC012601000	76	30
EA9500B0100	78	7	MAI17001000	86	31~37	PF025215000	76	26
EA9500B0100	80	44	MC185801100	54	28	PH0300062C0	58	10
EA9500B0200	52	34	MC185801102	86	44	PH0300062C0	62	10
EA9500B0200	82	60	MTJMS00000S	86	23	PH0300062C0	68	43
G5681116000	32	2	MTSHJ100003	82	62	PH0400105S0	38	53
G6013880000	26	25	NM6030003SC	10	27	PH0400402C0	86	46
GAF01007000	48	40	NM6030003SC	26	17	PH0500102C0	2	7
GCT02905000	86	31~37	NM6040001SC	74	59	PJ025100002	70	54
GCT02906000	86	31~37	NM6040001SC	92	19	PJ032052503	24	3
HA005820000	82	48·49	NM6040001SD	6	14	PJ032052503	32	3
HA006420000	82	48·49	NM6040001SP	24	26	PJ032052503	58	12
HD002780000	16	2	NM6040003SC	26	21	PJ046039001	68	28
HD002780000	36	38	NM6040003SC	60	18	PJ046052501	32	22
HF0013050P0	82	56·57	NM6050001SC	20	34	PJ046052503	32	1
HF003000200	82	56·57	NM6050001SC	32	20	PJ046052503	62	12
HN00149000D	14	105	NM6050001SC	72	39	PJ046052503	68	30
HX00094000A	72	21	NM6050001SC	76	9	PJ046054002	24	2
HX00094000C	10	6	NM6050001SE	86	19	PJ210304010	60	12
HX00094000C	72	34	NM6050001SP	24	11	PJ301040502	68	45
HX001500000	6	30	NM6050003SC	12	68	PJ301060004	76	24
HX001500000	16	70	NM6060001SC	12	50	PJ301060503	64	17
HX001500000	18	70	NM6060001SC	92	24	PJ303060003	76	21
HX001500000	36	44	NM6060001SE	36	9	PJ304040301	26	23
HX001500000	44	21	NM6060003SC	12	64	PJ304040504	20	38
HX00150000A	2	14	NM6060003SC	62	17	PJ304065101	70	53
HX00150000B	2	45	NM6060003SE	36	31	PJ304100004	12	88
HX00150000B	22	61	NM6080002SC	82	55	PJ304105201	64	46
HX00150000C	74	57	NM6080003SC	12	92	PJ304105301	76	27
HX00150000D	72	5	NM6160511SE	86	14	PJ305040502	20	40
HX00150000D	82	58	NM6660043SD	64	34	PJ305100002	76	25
HX00150000F	2	16	NM6850001SC	26	5	PJ308040002	22	62
HX00150000H	2	18	NM6850001SC	60	27	PJ309520001	86	40
HX00150000N	6	29	PA0600504A0	58	11	PS0100052KP	68	21

NUMERICAL INDEX OF PARTS

PART NO	PAGE	REF NO.	PART NO	PAGE	REF NO.	PART NO	PAGE	REF NO.
PS0200162KH	60	34	SB408000100	18	49	SL6040892TN	36	45
PS0250082KP	40	24	SB710000200	18	62	SL6040892TN	44	17
PS0300142KH	12	70	SB808000200	52	6	SL6040892TN	64	57
PS0400142KH	48	42	SD0400266TP	10	29	SL6040892TN	66	57
PS0500452KP	12	82	SD0400506TP	10	26	SL6040892TN	68	34
PS0800162KP	10	12	SD0600277TP	2	33	SL6040892TN	72	44
PV010015000	22	63	SD0791276TP	12	63	SL6041092TN	2	41
PV035161000	70	51	SD0800327TP	20	29	SL6041092TN	6	31
PV150103200	70	56	SD0800656TP	20	31	SL6041092TN	24	29
PV150103200	76	17	SD0800746TP	52	7	SL6041092TN	54	6
PV155303000	76	14	SD1001526TP	36	30	SL6041092TN	58	26
PX055104000	70	52	SK3382001SE	78	11	SL6041092TN	66	58
PX055202000	76	11	SK3452501SE	70	49	SL6041092TN	74	58
PX500014000	70	57	SK3512001SE	82	52	SL6041492TN	16	48
PX500014000	76	12	SK3582501SE	92	25	SL6041492TN	18	48
PX500020000	20	36	SL4020591SC	16	3	SL6041492TN	54	7
PX500020000	32	19	SL4020591SC	36	39	SL6051092TN	6	21
RC0100001KP	16	10	SL4021091SC	6	11	SL6051092TN	60	35
RC0470611KP	60	11	SL4030881SC	80	38	SL6051242TN	36	26
RC1850001KP	44	6	SL4030891SC	40	36	SL6051292TN	6	19
RC1900001KP	18	63	SL4031081SC	78	9	SL6051292TN	24	5
RC1951211KP	16	37	SL4031481SC	14	101	SL6051292TN	36	25
RE0200000K0	42	49	SL4040881SC	10	24	SL6051292TN	52	25
RE0300000K0	68	26	SL4040881SC	80	37	SL6051692TN	24	28
RE0400000KP	6	51	SL4040891SC	6	27	SL6052592TN	48	2
RE0400000KP	8	51	SL4040891SC	16	71	SL6061292TN	6	23
RE0500000KP	32	54	SL4040891SC	18	71	SL6061492TN	10	36
RE0500000KP	34	54	SL4040891SC	44	22	SL6083092TN	12	86
SB110000400	36	28	SL4041081SC	80	24	SM0030301SN	28	18
SB110002400	16	11	SL4041091SC	10	4	SM0030301SN	30	18
SB112001800	36	18	SL4041091SC	82	59	SM0040801SC	60	7
SB120000300	44	5	SL4041091SE	82	50	SM0081001SD	72	1
SB120001600	48	6	SL4041281SC	80	33	SM1030400SP	32	49
SB120002000	44	10	SL4041691SC	78	12	SM1030400SP	34	49
SB120003000	48	30	SL4042081SC	10	18	SM1030501SC	54	24
SB120003100	40	33	SL4042091SC	80	32	SM1030601SC	10	40
SB120003100	44	23	SL4051291SC	72	38	SM1030601SC	22	58
SB120003100	48	43	SL6030692TN	6	12	SM1030601SP	28	25
SB120003100	50	2	SL6030692TN	60	41	SM1030601SP	30	21
SB125000500	54	27	SL6030692TN	92	32	SM1030601SP	52	30
SB30700020A	48	21~24	SL6031692TN	10	10	SM1030801SP	24	41
SB30700020B	48	21~24	SL6040642TN	50	8	SM1041001SN	6	52
SB30700020C	48	21~24	SL6040892TN	2	54	SM1041001SN	8	52
SB30700020D	48	21~24	SL6040892TN	4	54	SM1041001SP	32	53
SB408000100	16	49	SL6040892TN	22	52	SM1041001SP	34	53

# NUMERICAL INDEX OF PARTS

PART NO	PAGE	REF NO.	PART NO	PAGE	REF NO.	PART NO	PAGE	REF NO.
SM1041201SC	40	10	SM6030502TP	64	27	SM6051002TP	12	74
SM1043001SP	92	16	SM6030600SP	42	54	SM6051002TP	26	28
SM1061201SN	10	37	SM6030602TP	10	45	SM6051002TP	72	41
SM1850600SP	28	9	SM6030602TP	38	51	SM6051202TP	64	11
SM1850600SP	30	10	SM6030602TP	52	31	SM6051552TP	56	15
SM4030455SP	46	48	SM6030602TP	54	22	SM6051602TP	64	6
SM4030501SC	6	10	SM6031202TP	54	40	SM6052002TP	16	31
SM4030655SP	44	42	SM6031402TP	42	82	SM6052502TP	16	17
SM4030801SC	16	67	SM6031402TP	54	38	SM6061002TP	62	16
SM4030801SC	18	67	SM6031602TP	24	4	SM6061202TP	12	58
SM4030801SC	36	47	SM6032002TN	68	27	SM6061202TP	18	61
SM4030801SC	44	20	SM6034002TN	26	26	SM6061202TP	36	35
SM4030801SE	66	56	SM6040602TN	92	33	SM6061402TP	12	52
SM4040655SP	2	48	SM6040602TP	2	44	SM6061602TP	52	11
SM4040655SP	4	48	SM6040602TP	10	9	SM6061610SC	86	21
SM4040655SP	26	11	SM6040602TP	16	46	SM6061650TP	16	30
SM4040655SP	38	48	SM6040602TP	58	21	SM6062502TN	92	20
SM4040655SP	58	15	SM6040602TP	62	25	SM6062502TP	16	18
SM4040655SP	62	19	SM6040602TP	64	8	SM6064002TP	44	7
SM4040655SP	68	47	SM6040610SC	2	12	SM6088502TP	12	94
SM4040855SP	20	51	SM6040650TP	60	42	SM6850402TN	42	52
SM4040855SP	22	51	SM6040800SP	44	14	SM6850502TN	48	16
SM4040855SP	40	30	SM6040802TP	2	46	SM8020452TP	48	19
SM4040855SP	62	14	SM6040802TP	10	42	SM8030312TP	24	33
SM4041055SP	40	3	SM6040802TP	16	41	SM8030312TP	26	15
SM4041055SP	44	32	SM6040802TP	20	43	SM8030412TP	40	45
SM4041255SP	42	62	SM6040802TP	32	24	SM8030412TP	56	21
SM4042055SP	20	49	SM6040802TP	68	8	SM8030412TP	60	32
SM4042055SP	22	49	SM6040860TP	16	35	SM8030412TP	68	4
SM4042555SP	40	17	SM6041002TP	42	59	SM8030602TP	64	10
SM4043055SP	40	18	SM6041002TP	68	10	SM8031002TP	40	32
SM4043555SP	70	58	SM6041050TP	6	9	SM8031212TP	26	16
SM4050855SP	32	17	SM6041050TP	68	14	SM8040310SS	48	36
SM4051255SP	2	10	SM6041202TP	32	27	SM8040360TP	24	31
SM4051405SE	86	20	SM6041602TP	36	23	SM8040402TP	56	18
SM4051655SP	36	40	SM6041802TP	6	8	SM8040412TP	10	31
SM4055001SF	76	7	SM6041802TP	54	5	SM8040412TP	54	36
SM4061255SP	58	18	SM6042002TP	52	4	SM8040502TP	60	3
SM5040550TP	32	48	SM6043002TN	76	15	SM8040612TP	32	52
SM5040550TP	34	48	SM6050650TP	52	8	SM8040612TP	34	52
SM5041055SN	6	28	SM6050802TP	12	90	SM8040612TP	40	7
SM5041055SN	18	69	SM6051002TN	32	50	SM8050412TP	12	80
SM5850460SP	26	2	SM6051002TN	34	50	SM8050412TP	36	16
SM6020600TP	68	12	SM6051002TN	36	3	SM8050412TP	56	11
SM6030402TP	64	3	SM6051002TP	10	74	SM8050512TP	12	57

NUMERICAL INDEX OF PARTS

PART NO	PAGE	REF NO.	PART NO	PAGE	REF NO.	PART NO	PAGE	REF NO.
SM8050512TP	32	47	TA1470704R0	2	4	WP0621016SD	36	54
SM8050602TP	64	16	TA1650406R0	6	36	WP0621016SD	38	54
SM8050612TP	12	85	TA2050406R0	2	11	WP0621016SH	12	59
SM8050612TP	18	65	TA2100904R0	6	33	WP0621016SH	16	60
SM8050612TP	52	2	TA2351305R0	6	34	WP0621016SH	18	60
SM8050612TP	58	23	WP0220300SC	70	60	WP0641601SD	18	59
SM80506A2TP	40	8	WP0250501SC	60	25	WP0641601SD	58	19
SM80506A2TP	44	52	WP0280500SC	42	53	WP0651001SC	92	21
SM80506A2TP	46	52	WP0320500SC	52	32	WP0651646SC	92	22
SM80506A2TP	48	4	WP0320500SD	64	4	WP0841601SC	72	3
SM80506A2TP	54	13	WP0320501SC	38	52	WP0852086SC	12	93
SM80508A2TP	44	2	WP0320501SD	64	28	WP0852086SC	82	53
SM8060602TP	16	51	WP0430800SC	20	50	WP1612616SE	86	16
SM8060602TP	18	51	WP0430800SC	22	50	WS0310002KR	60	26
SM8060612TP	10	78	WP0430800SC	52	5	WS0410002KN	92	18
SM8060612TP	12	78	WP0430800SC	80	4	WS0510002KN	86	18
SM8060612TP	16	25	WP0430800SD	4	51	WS0610002KN	18	58
SM8060612TP	44	11	WP0430800SD	40	63	WS0610002KN	92	23
SM80606A2TP	44	36	WP0430800SD	42	63	WS0820002KN	72	2
SM80606A2TP	48	45	WP0430800SD	44	38	WS0820002KR	82	54
SM80606A2TP	50	13	WP0430801SC	26	19	WS1643202KR	86	15
SM80606A2TP	56	7	WP0430801SC	38	49	WZ0320290UZ	32	46
SM8060812TP	36	33	WP0430801SC	60	17	WZ0541510KP	24	25
SM8060812TP	48	25	WP0430801SC	92	34	WZ0620290KP	6	50
SM8060812TP	52	19	WP0431005SP	70	65	WZ0620290KP	8	50
SM80608A2TP	44	46	WP0450801SD	24	43	WZ0620550KP	2	34
SM80608A2TP	64	51	WP0450801SP	6	16	WZ0880200KP	22	59
SM80608A2TP	66	51	WP0450801SP	10	43			
SM8061242TP	64	32	WP0450801SP	16	42			
SM8080812TP	48	28	WP0450801SP	62	26			
SM8430550TP	54	29	WP0450826SC	2	28			
SM8480652TP	46	53	WP0450846SP	40	19			
SM8480652TP	52	27	WP0480856SP	26	12			
SM9041050SC	4	50	WP0531000SD	16	16			
TA0370301R0	2	2	WP0531001SC	76	8			
TA0550604R0	56	13	WP0550800SP	6	48			
TA0550604R0	74	53	WP0550800SP	8	48			
TA0850604R0	2	55	WP0550800SP	10	75			
TA0850604R0	4	55	WP0550800SP	12	75			
TA0850604R0	8	53	WP0550800SP	36	41			
TA1050504R0	2	3	WP0550800SP	72	42			
TA1250406R0	2	13	WP0553216SD	12	67			
TA1250406R0	74	54	WP0553216SD	20	42			
TA1270502R0	4	56	WP0553216SD	32	18			
TA1450404R0	6	32	WP0561616SC	36	27			