

MODEL : AMS221ENHS7200

List No : 1591-02

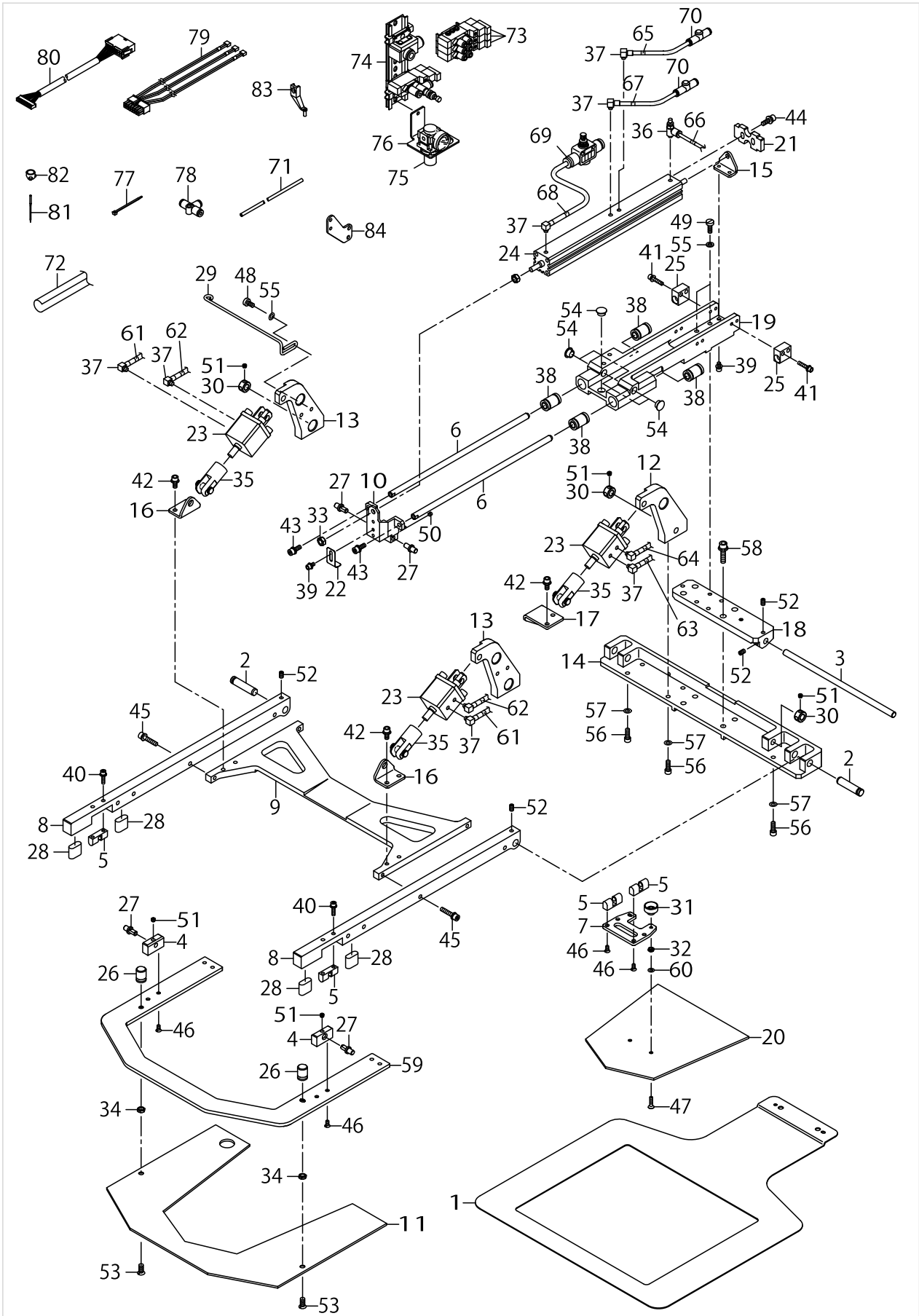
PARTS LIST

Published:09/10/2017

CONTENTS

POCKET MECHANISM COMPONENTS.....	1
MARKING LIGHT COMPONENTS	5
X-Y COMPONENTS	7
AIR PIPING DIAGRAM.....	9
OPERATION PANEL & PCB COMPONENTS.....	11
HOW TO MAKE USE OF THIS PARTS LIST	13

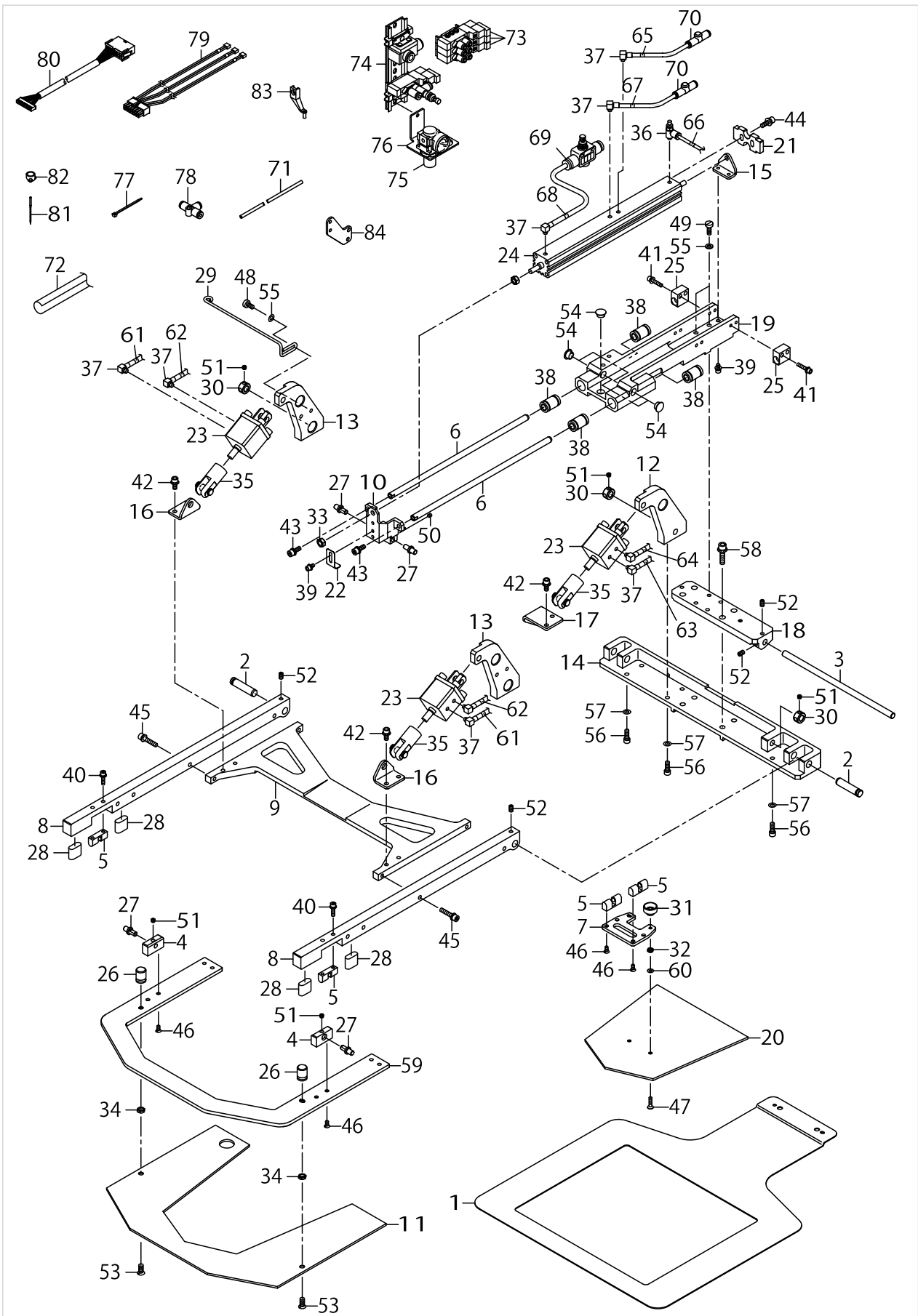
POCKET MECHANISM COMPONENTS



POCKET MECHANISM COMPONENTS

No.	Parts No.	Parts name	Remarks	Level	Cons	Qty
1	40056489	LOWER PLATE				1
2	26217703	BASE CONNECTING PIN				2
3	40020622	LOOPER DRIVE SHAFT				1
4	40051769	FEEDING FRAME SUPPORT BEARING				2
5	40051770	FEEDING FRAME BALL CATCH				4
6	40056479	POCKET CLAMP GUIDE SHAFT				2
7	40056480	POCKET CLAMP INSTALLING PLATE				1
8	40056481	CLAMP ARM				2
9	40056482	CLAMP ARM BEEM				1
10	40056483	POCKET CLAMP BASE				1
11	40056486	WORK CLAMP				1
12	40056487	WORK CLAMP CYLINDER BKT B				1
13	40056488	WORK CLAMP CYLINDER BKT A				2
14	40056490	WORK CLAMP BASE				1
15	40056491	CYLINDER BRACKET				1
16	40056492	CYLINDER PLATE A				2
17	40056493	CYLINDER PLATE B				1
18	40056495	CYLINDER BASE BRACKET				1
19	40056498	CYLINDER BASE				1
20	40056499	POCKET CLAMP				1
21	40063818	CYLINDER GUIDE PLATE				1
22	40063819	POCKET PLATE SPRING				1
23	40064077	CYLINDER				3
24	40064122	CYLINDER ASM.				1
25	40065157	GUIDE BLOCK				2
26	B2105581000	KNOB				2
27	B2560220000	SUPPORT PIN				4
28	B2563220000	RUBBER CUSHION				4
29	B2568223C00	AIR TUBE SUPPORT				2
30	CS0800881TP	THRUST COLLAR D=8 W=8				2
31	G6036870000	POCKET PRESSER KNOB				2
32	NM6040003SD	NUT M4X0.7 TYPE3				2
33	NM6060003SC	NUT M6X1 TYPE3				1
34	NS6150310SP	HEXAGONAL NUT 15/64-28				2
35	PA900054000	2 CROWN KNUCKLE JOINT				3
36	PC010508000	SPEED CONTROLLER				1
37	PJ046052503	HOSE ELBOW				9
38	SB708000100	BEARING				4
39	SL6040892TN	SCREW M4 L=8				4
40	SL6041692TN	SCREW M4 L=16				4
41	SL6042092TN	SCREW M4 L=20				4
42	SL6051292TN	SCREW M5 L=12				6
43	SL6051492TN	SCREW M5 L=14				2
44	SL6051692TN	SCREW M5 L=16				2
45	SL6052592TN	SCREW M5 L=25				4
46	SM1040870TP	SCREW				8
47	SM1041400SP	SCREW				2

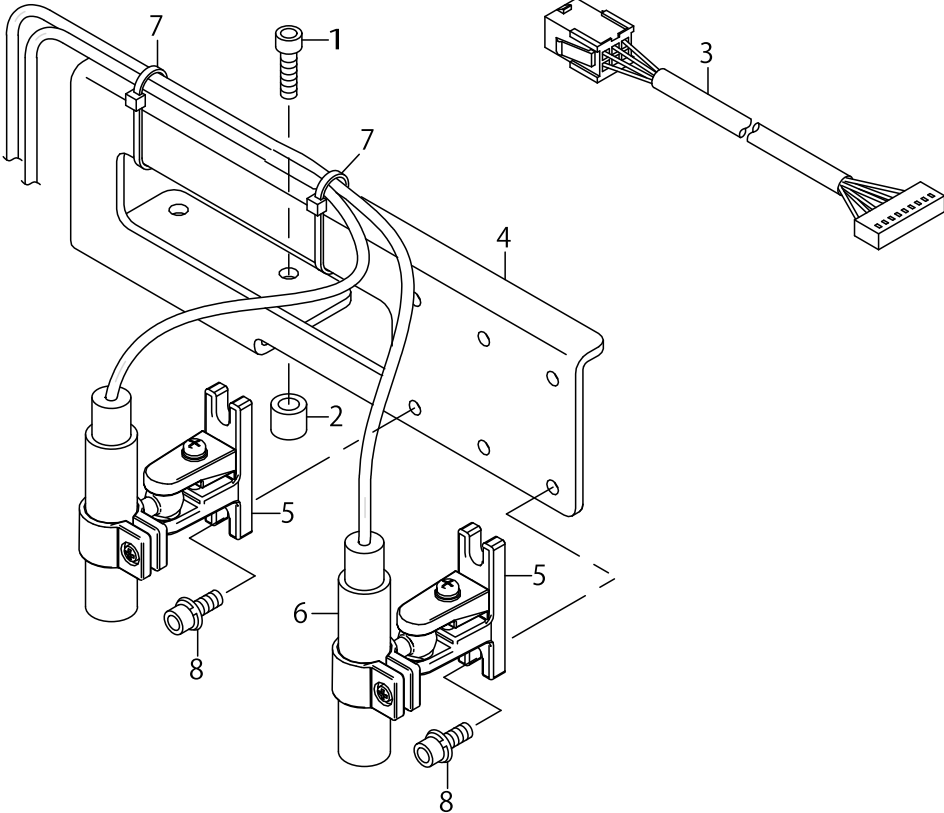
POCKET MECHANISM COMPONENTS



POCKET MECHANISM COMPONENTS

No.	Parts No.	Parts name	Remarks	Level	Cons	Qty
48	SM6051000SP	SCREW				4
49	SM6051400SP	SCREW				4
50	SM8040412TP	SCREW M4X4				2
51	SM8050412TP	SCREW M5 L=4				6
52	SM8050812TP	SCREW M5X8				6
53	SS1151310TP	SCREW				2
54	TA1050504R0	RUBBER PLUG				5
55	WP0531000SD	WASHER M5				8
56	SM6051402TN	SCREW M5 L=14				6
57	WP0531000SC	WASHER 5.3X10X1				6
58	SL6062592TN	SCREW M6 L=25				4
59	40056485	FEEDING FRAME				1
60	WT0430001KN	TOOTHED WASHER				2
61	18035006	CABLE MARK NO.1				5
62	18035105	WIRE MARK (2)				5
63	18035204	WIRE MARK (3)				3
64	18035303	WIRE MARK (4)				3
65	18035402	WIRE MARK (5)				2
66	18035501	WIRE MARK (6)				2
67	18035600	WIRE MARK (7)				2
68	18035709	WIRE MARK (8)				2
69	PC012401000	SPEED CONTROLLER				5
70	PV010015000	QUICK EXHAUST VALVE				2
71	BT0400251EB	URETHANE TUBE BLACK 4X2.5				16.5
72	HX00364000E	TUBE				2.6
73	PV150209000	5-PORT SOLENOID VALVE				3
74	40032232	SOLENOID VALVE A ASM.				1
75	PF0205010C0	AIR REGULATOR				1
76	40058031	AIR REGULATOR BASE				1
77	HX002330000	CABLE BAND				11
78	PJ305040001	T				2
79	40064126	SOLENOID VALVE CORD ASM.				1
80	40097984	SOLENOID VALVE RELAY CABLE ASM.				1
81	MDP170B1900	NEEDLE DPX17 #19				1
82	B1406215P00	THREAD GUIDE H				1
83	B1601210D0FA	INTERMEDIATE PRESSER F				1
84	40064076	SAFETY PLATE BRK				1

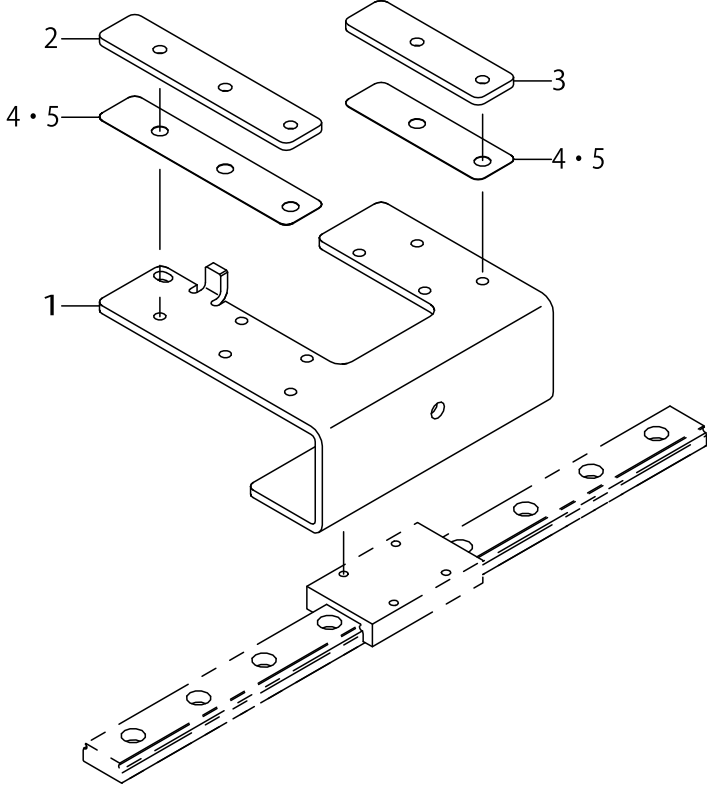
MARKING LIGHT COMPONENTS



MARKING LIGHT COMPONENTS

No.	Parts No.	Parts name	Remarks	Level	Cons	Qty
1	SM6051802TP	SCREW M5 L=18				2
2	13858808	THREAD CUTTER AUXILIARY ROLLER				2
3	40064125	LED MARKING RELAY CABLE ASM.				1
4	40056497	MARKING LIGHT INSTALLING PLATE				1
5	40056503	MARKING LIGHT HOLDER				2
6	40064123	LED MARKING A ASM.				1
7	HX00233000B	CABLE BAND				2
8	SL6051492TN	SCREW M5 L=14				4

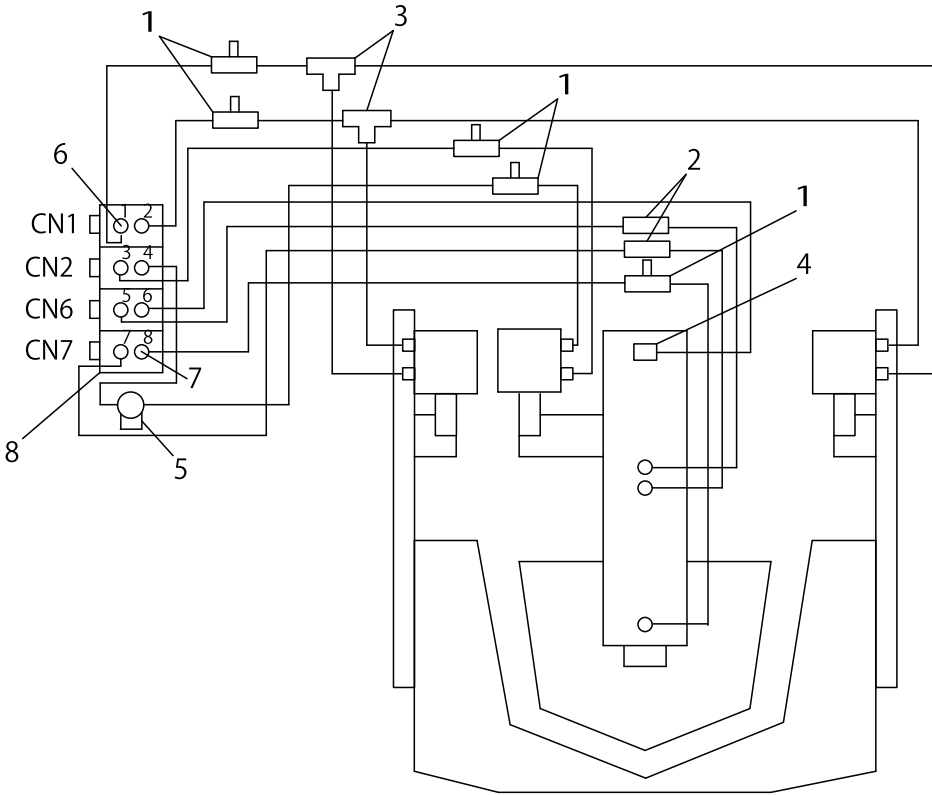
X-Y COMPONENTS



X-Y COMPONENTS

No.	Parts No.	Parts name	Remarks	Level	Cons	Qty
1	40121232	X DRIVEN BRACKET BASE				1
2	40121230	BRACKET BASE SPACER				1
3	40121671	BRACKET BASE SPACER A				1
4	40121231	SPACER 0.2MM	QUANTITY SELECTION PARTS (ONE PIECE OR TWO-PIECE USE)			1
5	40121624	SPACER 0.1MM	QUANTITY SELECTION PARTS (ONE PIECE OR TWO-PIECE USE)			1

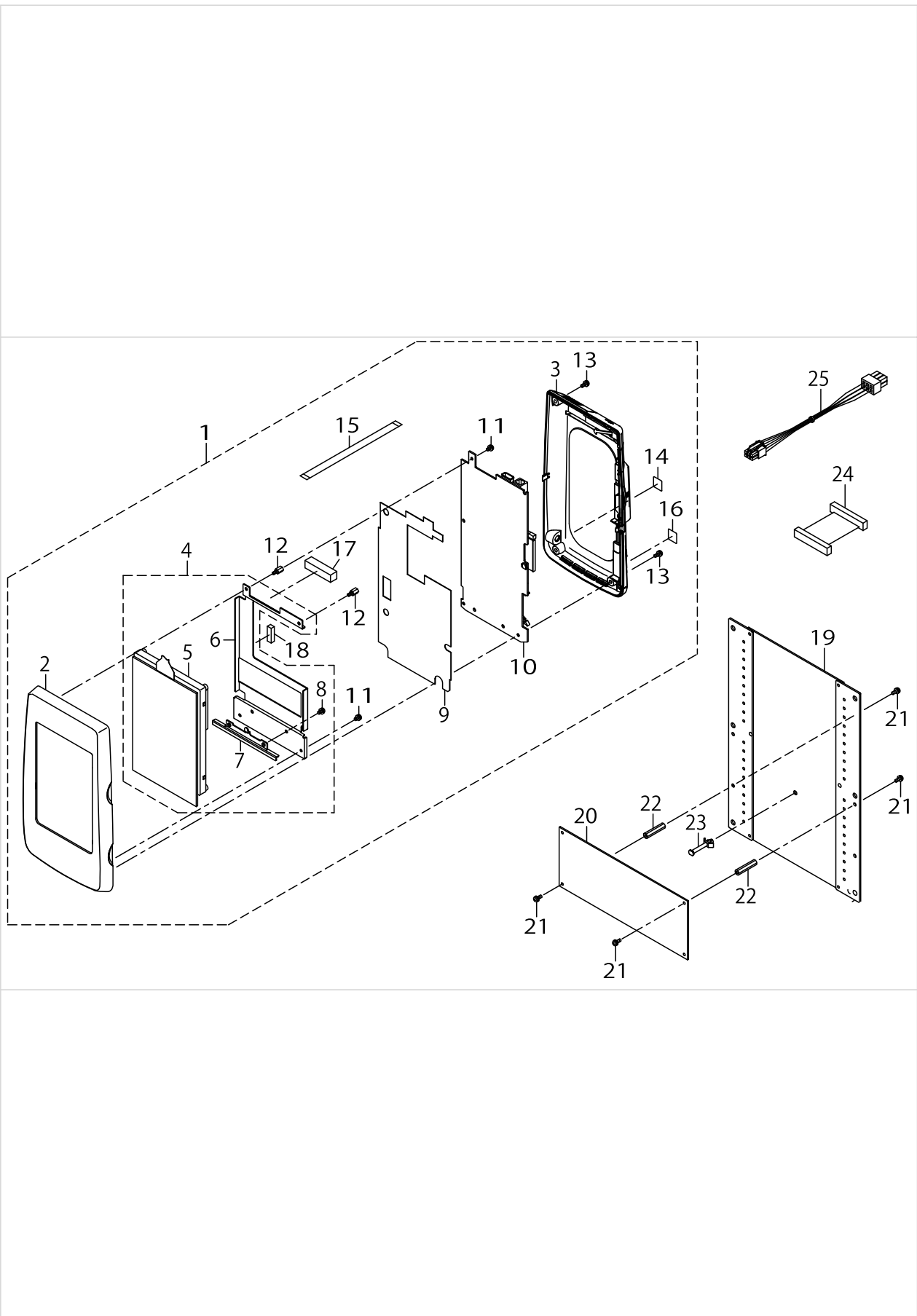
AIR PIPING DIAGRAM



AIR PIPING DIAGRAM

No.	Parts No.	Parts name	Remarks	Level	Cons	Qty
1	PC012401000	SPEED CONTROLLER				5
2	PV010015000	QUICK EXHAUST VALVE				2
3	PJ305040001	TEE UNION				2
4	PC010508000	SPEED CONTROLLER				1
5	PF0205010C0	AIR REGULATOR				1
6	PJ301040505	HALF UNION				7
7	PF070501000	PRESSURE DECREASING VALVE				1
8	PV150209100	SOLENOID VALVE				4

OPERATION PANEL & PCB COMPONENTS



OPERATION PANEL & PCB COMPONENTS

No.	Parts No.	Parts name	Remarks	Level	Cons	Qty
1	40121826	IP-420P PANEL ASSY				1
2	40078163	FRONT_CASE		*		1
3	40080799	REAR_CASE_ASSY		*		1
4	40080800	LCD_ASSY		*		1
5	40086541	LCD TOUCH PANEL ASSY	TECHNICAL INFOMATION (A16-029)	*		1
6	40083668	LCD_BRACKET	TECHNICAL INFOMATION (A16-029)	*		1
7	40083666	LCD_STAY		*		1
8	SL4030681SC	SCREW M3 L=6		*		2
9	40078168	INSULATION_SHEET		*		1
10	40083960	PANEL PCB ASSY		*		1
11	SL4030681SC	SCREW M3 L=6		*		3
12	HX00354000B	SPACER		*		2
13	SL4030881SC	SCREW M3 L=8		*		4
14	CM600100101	WEEE MARK LABEL S		*		1
15	HW002180200	FLAT CABLE		*		1
16	40150131	EAC_MARK_LABEL_S		*		1
17	40096507	GASKET A		*		1
18	40096508	GASKET B		*		1
19	40121629	MAIN PCB D ASSY				1
20	40081580	SUB PCB ASSY				1
21	SL4030881SC	SCREW M3 L=8				8
22	HX00418000E	SPACER				4
23	HX00147000J	SPACER				1
24	40062368	SUB-MAIN CORD S ASSY				1
25	40062367	SUB-MAIN CORD P ASSY				1

HOW TO MAKE USE OF THIS PARTS LIST

- 1.As to "#01" and "#02" refer to the "Note" given at the bottom of the respective pages.
- 2.Codes on the "Qty" column
 - Each numeral indicates the number of parts required.
 - "0.1" and "2.5" indicate the length (in meters) of the respective parts.
- 3.Parentheses mean that the corresponding part is a subpart that constructs an assembly part.
- 4.Dotted lines on the Figures indicate assembly parts.

1. リストページの#01、#02の印は、ページ下の"注記"の説明を参照下さい。
2. 数量欄の数字は、個数を表し、0.1、2.5等の数値は、長さ（単位メートル）を表します。
3. 数量欄の（ ）は、組部品を構成している子部品であることを意味します。
4. イラストページの-----枠は、組構成であることを意味します。

Please refer to Parts List of AMS-221EN/IP-420 for the matters not mentioned on this Parts List.

本パーツリストに記載なきものは、AMS-221EN/IP-420のパーツリストをご覧ください。

NUMERICAL INDEX OF PARTS

PART NO	PAGE	REF NO.	PART NO	PAGE	REF NO.	PART NO	PAGE	REF NO.
13858808	6	2	40078163	12	2	PC012401000	10	1
18035006	4	61	40078168	12	9	PF0205010C0	4	75
18035105	4	62	40080799	12	3	PF0205010C0	10	5
18035204	4	63	40080800	12	4	PF070501000	10	7
18035303	4	64	40081580	12	20	PJ046052503	2	37
18035402	4	65	40083666	12	7	PJ301040505	10	6
18035501	4	66	40083668	12	6	PJ305040001	4	78
18035600	4	67	40083960	12	10	PJ305040001	10	3
18035709	4	68	40086541	12	5	PV010015000	4	70
26217703	2	2	40096507	12	17	PV010015000	10	2
40020622	2	3	40096508	12	18	PV150209000	4	73
40032232	4	74	40097984	4	80	PV150209100	10	8
40051769	2	4	40121230	8	2	SB708000100	2	38
40051770	2	5	40121231	8	4	SL4030681SC	12	11
40056479	2	6	40121232	8	1	SL4030881SC	12	21
40056480	2	7	40121624	8	5	SL6040892TN	2	39
40056481	2	8	40121629	12	19	SL6041692TN	2	40
40056482	2	9	40121671	8	3	SL6042092TN	2	41
40056483	2	10	40121826	12	1	SL6051292TN	2	42
40056485	4	59	40150131	12	16	SL6051492TN	2	43
40056486	2	11	B1406215P00	4	82	SL6051492TN	6	8
40056487	2	12	B1601210D0FA	4	83	SL6051692TN	2	44
40056488	2	13	B2105581000	2	26	SL6052592TN	2	45
40056489	2	1	B2560220000	2	27	SL6062592TN	4	58
40056490	2	14	B2563220000	2	28	SM1040870TP	2	46
40056491	2	15	B2568223C00	2	29	SM1041400SP	2	47
40056492	2	16	BT0400251EB	4	71	SM6051000SP	4	48
40056493	2	17	CM600100101	12	14	SM6051400SP	4	49
40056495	2	18	CS0800881TP	2	30	SM6051402TN	4	56
40056497	6	4	G6036870000	2	31	SM6051802TP	6	1
40056498	2	19	HW002180200	12	15	SM8040412TP	4	50
40056499	2	20	HX00147000J	12	23	SM8050412TP	4	51
40056503	6	5	HX002330000	4	77	SM8050812TP	4	52
40058031	4	76	HX00233000B	6	7	SS1151310TP	4	53
40062367	12	25	HX00354000B	12	12	TA1050504R0	4	54
40062368	12	24	HX00364000E	4	72	WP0531000SC	4	57
40063818	2	21	HX00418000E	12	22	WP0531000SD	4	55
40063819	2	22	MDP170B1900	4	81	WT0430001KN	4	60
40064076	4	84	NM6040003SD	2	32			
40064077	2	23	NM6060003SC	2	33			
40064122	2	24	NS6150310SP	2	34			
40064123	6	6	PA900054000	2	35			
40064125	6	3	PC010508000	2	36			
40064126	4	79	PC010508000	10	4			
40065157	2	25	PC012401000	4	69			