

MODEL : SS46
List No : 1590-01

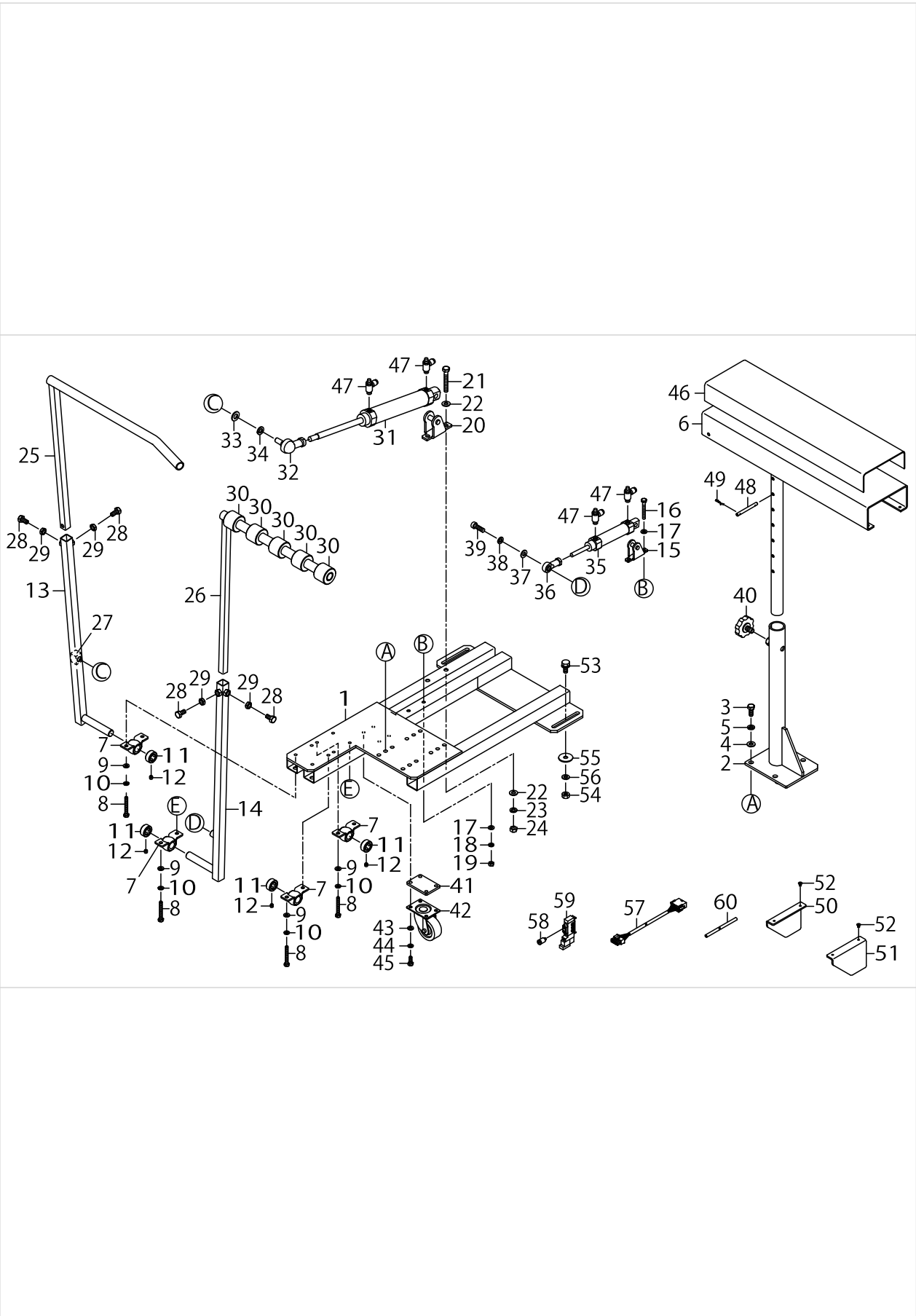
PARTS LIST

Published:09/10/2017

CONTENTS

| | |
|--|---|
| COMPONENTS | 1 |
| HOW TO MAKE USE OF THIS PARTS LIST | 5 |

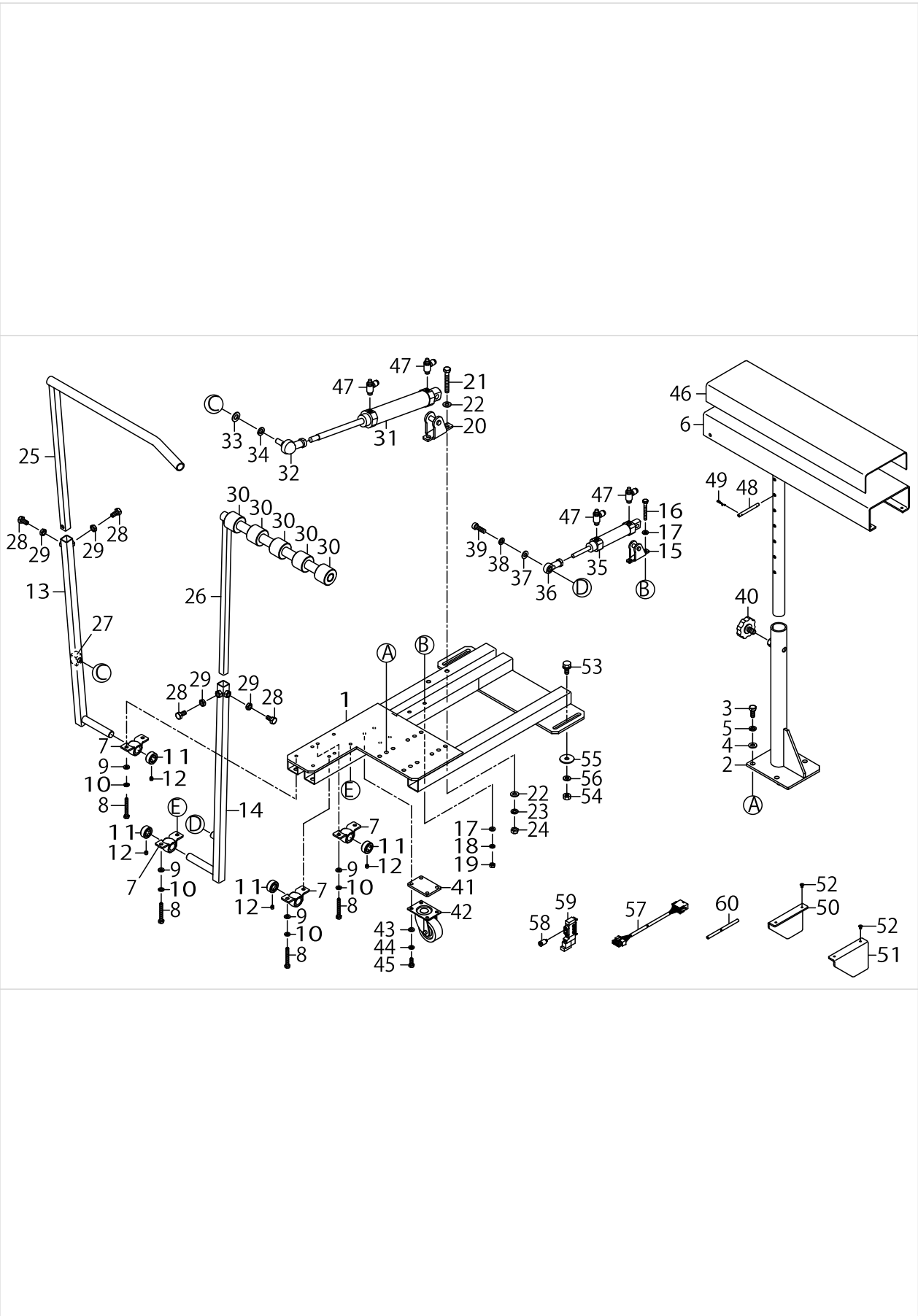
COMPONENTS



COMPONENTS

| No. | Parts No. | Parts name | Remarks | Level | Cons | Qty |
|-----|-------------|--------------------------------|---------|-------|------|-----|
| 1 | 40067952 | STACKER BASE | | | | 1 |
| 2 | GSS34002000 | CLOTH RECEIVING PLATE, LOWER | | | | 1 |
| 3 | SM9082023SE | SCREW M8 L=20 | | | | 4 |
| 4 | WP0841601SC | WASHER 8.4X17.4X1.6 | | | | 4 |
| 5 | WS0820002KN | SPRING WASHER M8 | | | | 4 |
| 6 | GSS34003000 | CLOTH RECEIVING PLATE, A | | | | 1 |
| 7 | 16136806 | MINI PILLOW UNIT | | | | 4 |
| 8 | SM9064503SC | SCREW M6 L=45 | | | | 8 |
| 9 | WP0641601SC | WASHER | | | | 8 |
| 10 | WS0610002KN | SPRING WASHER 6.1X12.2X1.5 | | | | 8 |
| 11 | CS1501181TP | THRUST COLLAR D=15 W=11 | | | | 4 |
| 12 | SM8050412TP | SCREW M5 L=4 | | | | 8 |
| 13 | GSS340070A0 | CLOTH SPREADER BAR ASM., LOWER | | | | 1 |
| 14 | GSS340080A0 | CLOTH SPREADER BAR ASM., LOWER | | | | 1 |
| 15 | PA900020000 | I BRACKET | | | | 1 |
| 16 | SM9064503SC | SCREW M6 L=45 | | | | 2 |
| 17 | WP0641601SC | WASHER | | | | 4 |
| 18 | WS0610002KN | SPRING WASHER 6.1X12.2X1.5 | | | | 2 |
| 19 | NM6060001SC | NUT M6 | | | | 2 |
| 20 | PA900061000 | CLEVIS HOLDER | | | | 1 |
| 21 | SM9085513SC | SCREW M8 L=55 | | | | 2 |
| 22 | WP0841601SC | WASHER 8.4X17.4X1.6 | | | | 4 |
| 23 | WS0820002KN | SPRING WASHER M8 | | | | 2 |
| 24 | NM6080001SC | NUT M8X1.25 | | | | 2 |
| 25 | 40067953 | HANDLE ARM | | | | 1 |
| 26 | GSS34010000 | CLOTH PRESSER ARM | | | | 1 |
| 27 | 40088242 | SLIDE BLOCK | | | | 1 |
| 28 | SM9081603SC | HEXAGONAL HEAD SCREW | | | | 4 |
| 29 | NM6080003SC | NUT M8 | | | | 4 |
| 30 | GAS11154000 | STACKER RING | | | | 5 |
| 31 | PA3212503A0 | AIR CYLINDER | | | | 1 |
| 32 | GSS29125000 | LINK BALL | | | | 1 |
| 33 | WP1102016SC | WASHER 11X21X2 | | | | 1 |
| 34 | WS1020002KN | SPRING WASHER M10 | | | | 1 |
| 35 | PA2005017A0 | AIR CYLINDER | | | | 1 |
| 36 | 16138109 | ROD | | | | 1 |
| 37 | WP0841601SC | WASHER 8.4X17.4X1.6 | | | | 1 |
| 38 | WS0820002KN | SPRING WASHER M8 | | | | 1 |
| 39 | SM6082502TP | SCREW M8 L=25 | | | | 1 |
| 40 | GET01016000 | AUXILIARY TABLE ADJUSTING KNOB | | | | 1 |
| 41 | 40064832 | SPACER | | | | 1 |
| 42 | B8150221D00 | CASTER | | | | 1 |
| 43 | WP0641601SC | WASHER | | | | 4 |
| 44 | WS0610002KN | SPRING WASHER 6.1X12.2X1.5 | | | | 4 |
| 45 | SM9061613SC | SCREW M6 L=16 | | | | 4 |
| 46 | GSS34005000 | RUBBER | | | | 1 |
| 47 | PC015106000 | SPEED CONTROLLER | | | | 4 |

COMPONENTS



COMPONENTS

| No. | Parts No. | Parts name | Remarks | Level | Cons | Qty |
|-----|-------------|----------------------------|---------|-------|------|-----|
| 48 | GST20004000 | STOPPER PIN | | | | 1 |
| 49 | B1515210D00 | PIN | | | | 2 |
| 50 | 40064833 | WORK GUIDE L | | | | 1 |
| 51 | 40064834 | WORK GUIDE R | | | | 1 |
| 52 | SM1040601SC | SCREW M4X0.7 L=6 | | | | 4 |
| 53 | SL9082583SE | BOLT WITH WASHER | | | | 2 |
| 54 | NM6080001SC | NUT M8X1.25 TYPE1 | | | | 2 |
| 55 | WP0852086SC | WASHER M8 | | | | 2 |
| 56 | WS0820002KN | SPRING WASHER M8 | | | | 2 |
| 57 | 40111079 | PEDAL EXTENSION CABLE ASM. | | | | 1 |
| 58 | PJ210006100 | HALF UNION | | | | 2 |
| 59 | PV150209100 | SOLENOID VALVE | | | | 1 |
| 60 | BT0600401EB | URETHANE TUBE BLACK 6X4 | | | | 4 |

HOW TO MAKE USE OF THIS PARTS LIST

1.As to "#01" and "#02" refer to the "Note" given at the bottom of the respective pages.

2.Codes on the "Qty" column

- Each numeral indicates the number of parts required.
- "0.1" and "2.5" indicate the length (in meters) of the respective parts.

3.Parentheses mean that the corresponding part is a subpart that constructs an assembly part.

4.Dotted lines on the Figures indicate assembly parts.

1. リストページの# 0 1、# 0 2の印は、ページ下の"注記"の説明を参照下さい。
2. 数量欄の数字は、個数を表し、0. 1、2. 5等の数値は、長さ（単位メートル）を表します。
3. 数量欄の（ ）は、組部品を構成している子部品であることを意味します。
4. イラストページの-----枠は、組構成であることを意味します。

NUMERICAL INDEX OF PARTS

| PART NO | PAGE | REF NO. | PART NO | PAGE | REF NO. |
|-------------|------|---------|-------------|------|---------|
| 16136806 | 2 | 7 | WP0852086SC | 4 | 55 |
| 16138109 | 2 | 36 | WP1102016SC | 2 | 33 |
| 40064832 | 2 | 41 | WS0610002KN | 2 | 44 |
| 40064833 | 4 | 50 | WS0820002KN | 2 | 56 |
| 40064834 | 4 | 51 | WS0820002KN | 4 | 56 |
| 40067952 | 2 | 1 | WS1020002KN | 2 | 34 |
| 40067953 | 2 | 25 | | | |
| 40088242 | 2 | 27 | | | |
| 40111079 | 4 | 57 | | | |
| B1515210D00 | 4 | 49 | | | |
| B8150221D00 | 2 | 42 | | | |
| BT0600401EB | 4 | 60 | | | |
| CS1501181TP | 2 | 11 | | | |
| GAS11154000 | 2 | 30 | | | |
| GET01016000 | 2 | 40 | | | |
| GSS29125000 | 2 | 32 | | | |
| GSS34002000 | 2 | 2 | | | |
| GSS34003000 | 2 | 6 | | | |
| GSS34005000 | 2 | 46 | | | |
| GSS340070A0 | 2 | 13 | | | |
| GSS340080A0 | 2 | 14 | | | |
| GSS34010000 | 2 | 26 | | | |
| GST20004000 | 4 | 48 | | | |
| NM6060001SC | 2 | 19 | | | |
| NM6080001SC | 2 | 54 | | | |
| NM6080001SC | 4 | 54 | | | |
| NM6080003SC | 2 | 29 | | | |
| PA2005017A0 | 2 | 35 | | | |
| PA3212503A0 | 2 | 31 | | | |
| PA900020000 | 2 | 15 | | | |
| PA900061000 | 2 | 20 | | | |
| PC015106000 | 2 | 47 | | | |
| PJ210006100 | 4 | 58 | | | |
| PV150209100 | 4 | 59 | | | |
| SL9082583SE | 4 | 53 | | | |
| SM1040601SC | 4 | 52 | | | |
| SM6082502TP | 2 | 39 | | | |
| SM8050412TP | 2 | 12 | | | |
| SM9061613SC | 2 | 45 | | | |
| SM9064503SC | 2 | 16 | | | |
| SM9081603SC | 2 | 28 | | | |
| SM9082023SE | 2 | 3 | | | |
| SM9085513SC | 2 | 21 | | | |
| WP0641601SC | 2 | 43 | | | |
| WP0841601SC | 2 | 37 | | | |