

MODEL : LK-1903AN/BR35

List No : 1587-00

# PARTS LIST

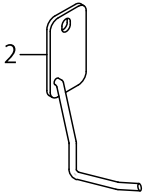
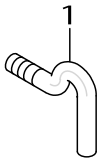
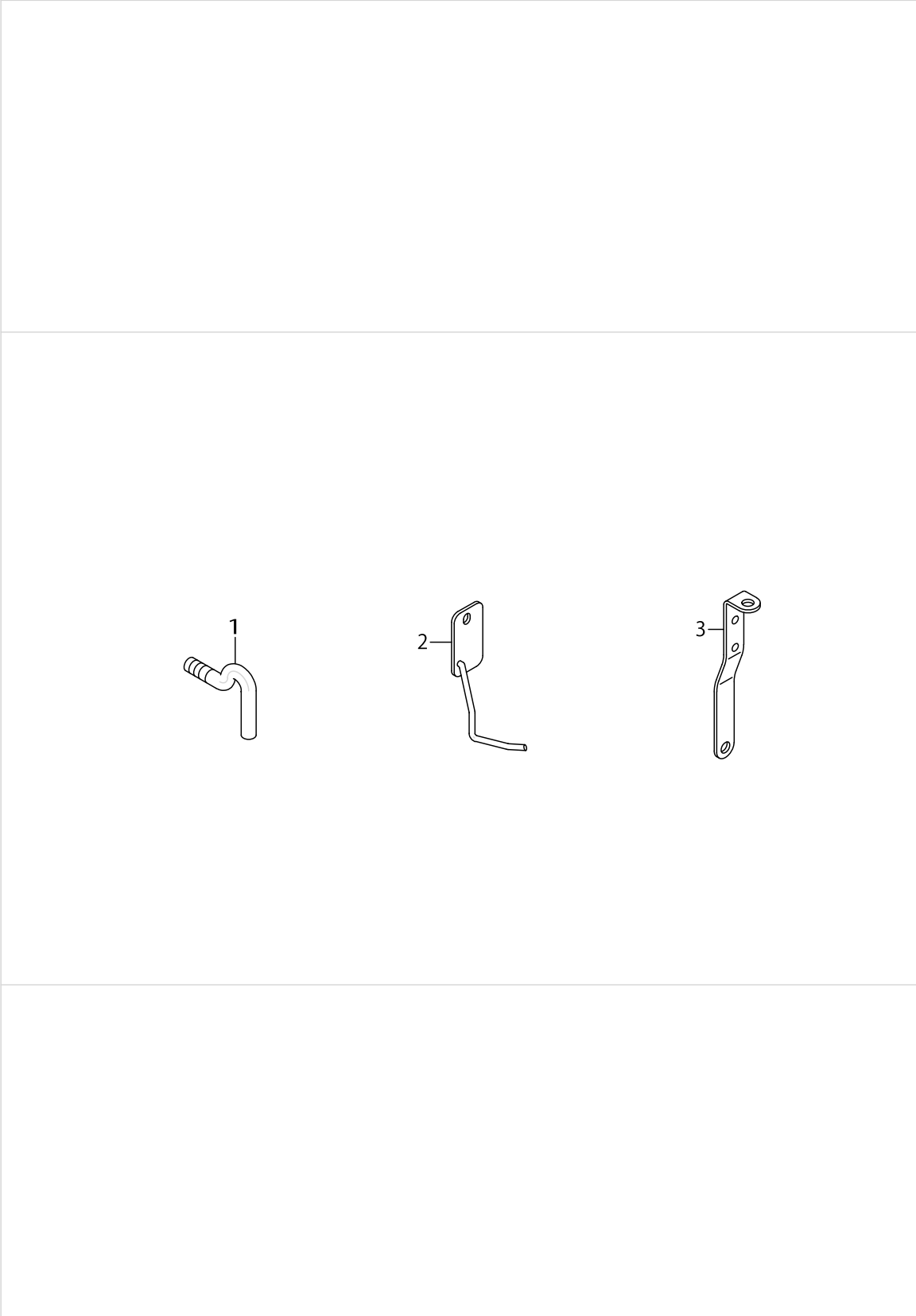
Published:09/10/2017

## CONTENTS

---

|  |    |
|--|----|
| THREAD TENSION COMPONENTS .....                                      | 1  |
| WIPER MECHANISM COMPONENTS .....                                     | 3  |
| EXCLUSIVE PARTS FOR LK-1903ANS-311,LK-1903ANS-312 (1) .....          | 5  |
| EXCLUSIVE PARTS FOR LK-1903ANS-311,LK-1903ANS-312 (2) .....          | 7  |
| BUTTON CLAMP COMPONENTS.....   | 11 |
| FINE POSITION OF BUTTONS COMPONENTS (1).....                         | 15 |
| FINE POSITION OF BUTTONS COMPONENTS (2).....                         | 17 |
| DRIVE CAM COMPONENTS.....  | 21 |
| INDEX COMPONENTS (1) .....   | 23 |
| INDEX COMPONENTS (2) .....   | 27 |
| FEEDER BALL COMPONENTS .....   | 31 |
| TABLE & COVER COMPONENTS .....                                       | 33 |
| BR CONTROL BOX COMPONENTS (FOR USE IN JAPAN AND GENERAL EXPORT)..... | 37 |
| BR CONTROL BOX COMPONENTS (FOR EUROPE).....                          | 41 |
| BR POWER SUPPLY COMPONENTS.....                                      | 45 |
| CONTROL BOX COMPONENTS .....   | 47 |
| OPERATION PANEL COMPONENTS .....                                     | 51 |
| MC-598 WIRING DIAGRAM.....   | 53 |
| BR35 WIRING DIAGRAM .....  | 55 |
| ACCESSORIE PARTS COMPONENTS .....                                    | 57 |
| HOW TO MAKE USE OF THIS PARTS LIST .....                             | 59 |

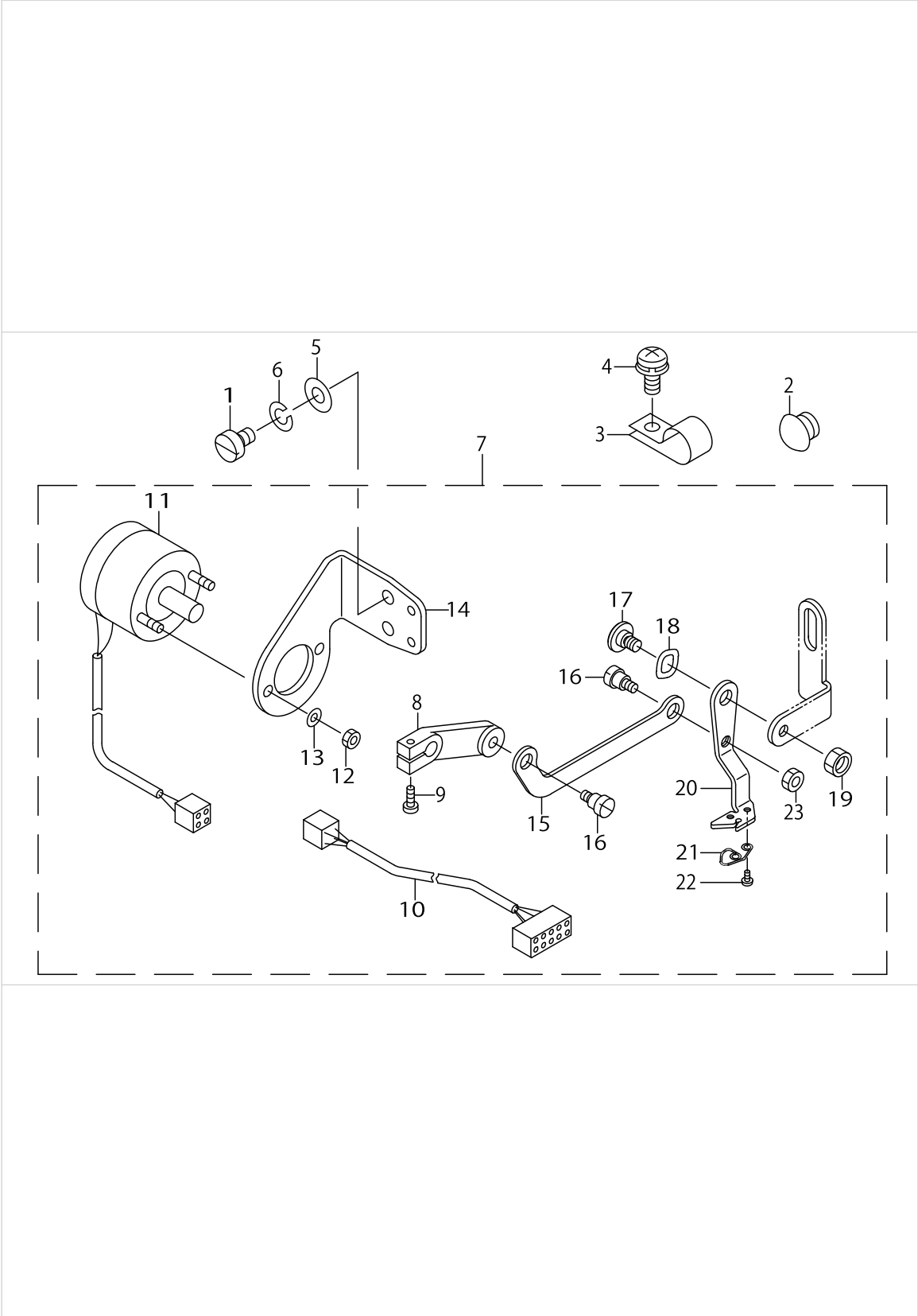
THREAD TENSION COMPONENTS



THREAD TENSION COMPONENTS

| No. | Parts No.   | Parts name              | Remarks | Level | Cons | Qty |
|-----|-------------|-------------------------|---------|-------|------|-----|
| 1   | 40013452    | L SHAPED THREAD GUIDE B |         |       |      | 1   |
| 2   | B55412050A0 | THREADING GUIDE ASM.    |         |       |      | 1   |
| 3   | B1114581000 | THREAD GUIDE PLATE      |         |       |      | 1   |

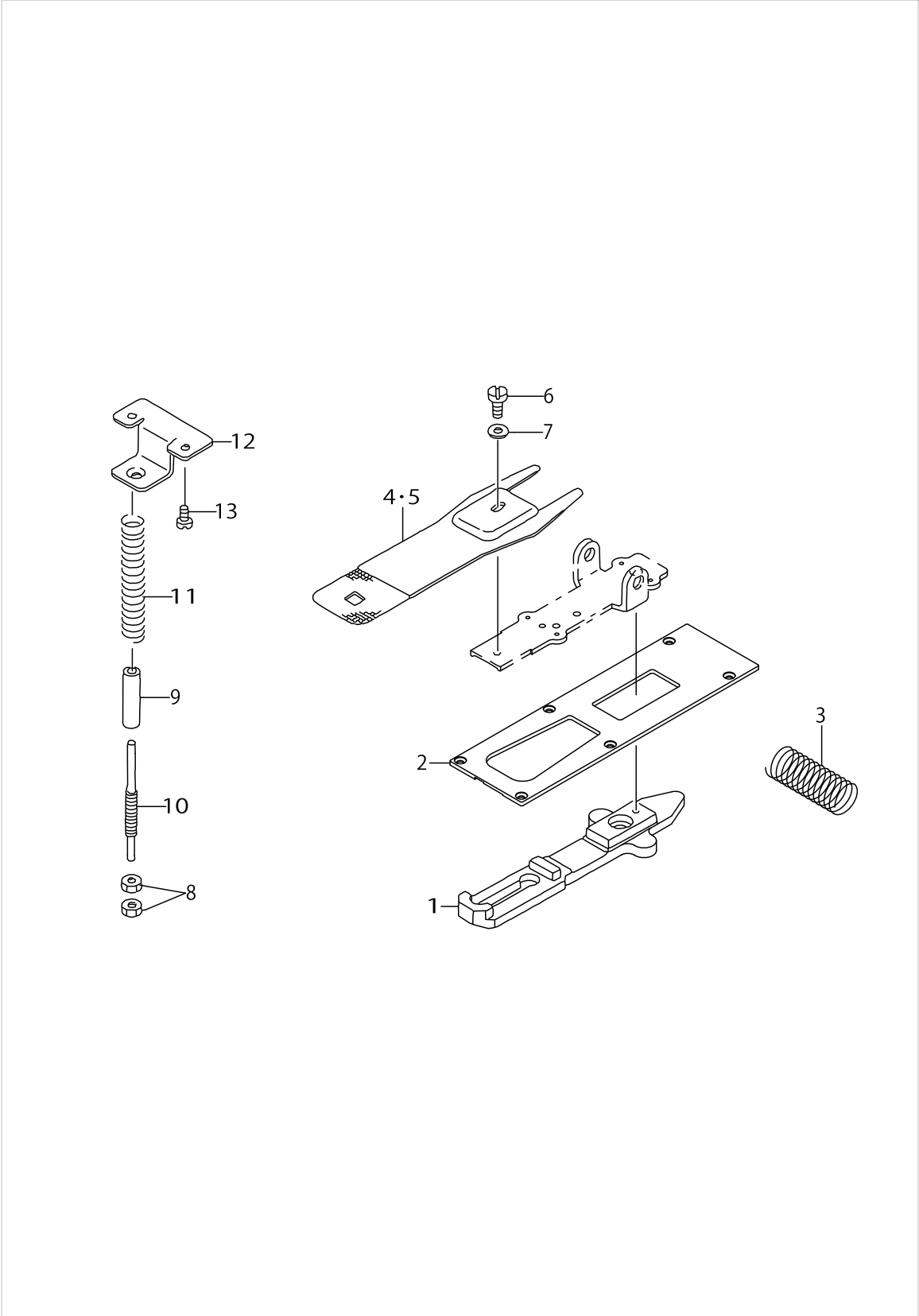
WIPER MECHANISM COMPONENTS



WIPER MECHANISM COMPONENTS

| No. | Parts No.   | Parts name                | Remarks | Level | Cons | Qty |
|-----|-------------|---------------------------|---------|-------|------|-----|
| 1   | SM6040650TP | SCREW                     |         |       |      | 2   |
| 2   | TA1250705R0 | RUBBER PLUG               |         |       |      | 1   |
| 3   | HX00123000C | CABLE CLIP                |         |       |      | 4   |
| 4   | SL4041091SC | SCREW M4 L=10             |         |       |      | 4   |
| 5   | WP0450801SD | WASHER 4.5X10X0.8         |         |       |      | 2   |
| 6   | WS0451040KP | SPRING WASHER 4.5X8.5X1   |         |       |      | 2   |
| 7   | 40018334    | MAGNET WIPER ASM.         |         |       |      | 1   |
| 8   | B210220500A | WIPER ARM                 |         | *     |      | 1   |
| 9   | SS7111120TP | SCREW                     |         | *     |      | 1   |
| 10  | 40018335    | SOLENOID RELAY CABLE ASM. |         | *     |      | 1   |
| 11  | 14147755    | SOLENOID FOR WIPER ASM.   |         | *     |      | 1   |
| 12  | NM6040003SC | NUT M4                    |         | *     |      | 2   |
| 13  | WS0410002KS | SPRING WASHER M4          |         | *     |      | 2   |
| 14  | 13864509    | SOLENOID FITTING PLATE    |         | *     |      | 1   |
| 15  | 14147607    | WIPER LINK                |         | *     |      | 1   |
| 16  | SD0600181TP | HINGE SCREW               |         | *     |      | 2   |
| 17  | SD0640261SP | HINGE SCREW D=6.35 H=2.6  |         | *     |      | 1   |
| 18  | WZ0640200KP | WAVE WASHER               |         | *     |      | 1   |
| 19  | NS6120310SP | NUT 3/16-28               |         | *     |      | 1   |
| 20  | 40009859    | WIPER                     |         | *     |      | 1   |
| 21  | 14147805    | SPRING                    |         | *     |      | 1   |
| 22  | SS7060310SP | SCREW 3/32-56 L=3         |         | *     |      | 2   |
| 23  | NS6110310SP | NUT 11/64-40              |         | *     |      | 1   |

EXCLUSIVE PARTS FOR LK-1903ANS-311,LK-1903ANS-312 (1)

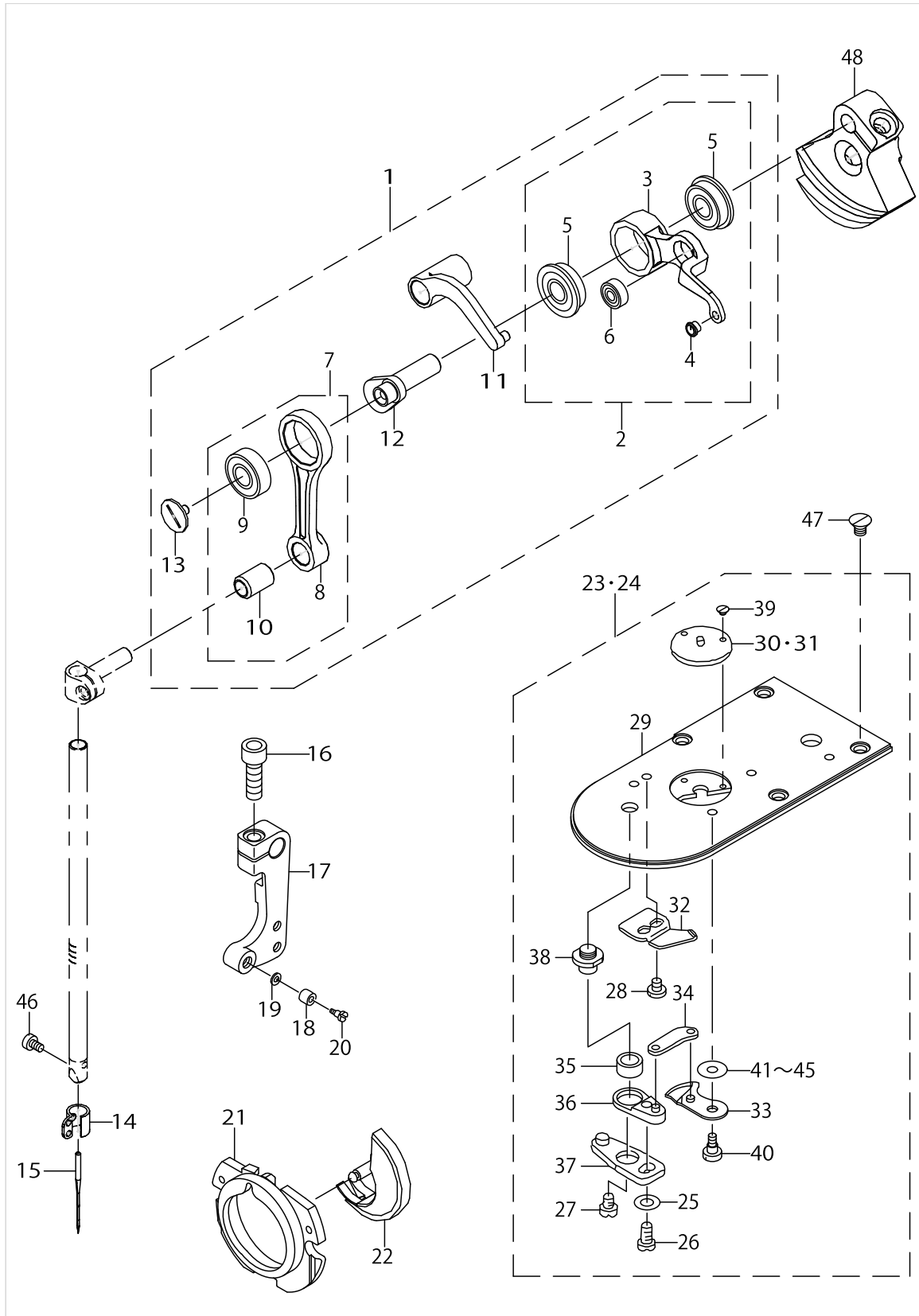


EXCLUSIVE PARTS FOR LK-1903ANS-311,LK-1903ANS-312 (1)

| No. | Parts No.   | Parts name                 | Remarks            | Level | Cons | Qty |
|-----|-------------|----------------------------|--------------------|-------|------|-----|
| 1   | 14145106    | CLOTH FEED PLATE           |                    |       |      | 1   |
| 2   | 40006935    | CLOTH FEED PRESSER PLATE B |                    |       |      | 1   |
| 3   | 14148407    | VERTICAL FEED SHAFT SPRING |                    |       |      | 1   |
| 4   | MAZ15502000 | PRESSURE PLATE             | FOR LK-1903ANS-311 |       |      | 1   |
| 5   | MAZ15602000 | PRESSURE PLATE             | FOR LK-1903ANS-312 |       |      | 1   |
| 6   | SS9110543CP | SCREW 11/64-40 L=5.3       |                    |       |      | 1   |
| 7   | WP0501016SD | WASHER 5X10.5X1            |                    |       |      | 1   |
| 8   | B3125012000 | THREAD TENSION NUT         |                    |       |      | 2   |
| 9   | D2527232D00 | SLEEVE                     |                    |       |      | 1   |
| 10  | 14146906    | ADJUSTING SHAFT            |                    |       |      | 1   |
| 11  | 13812003    | PRESSURE SPRING            |                    |       |      | 1   |
| 12  | 13811906    | ACCEPT PLATE, UPPER        |                    |       |      | 1   |
| 13  | SM5040855SN | SCREW                      |                    |       |      | 2   |



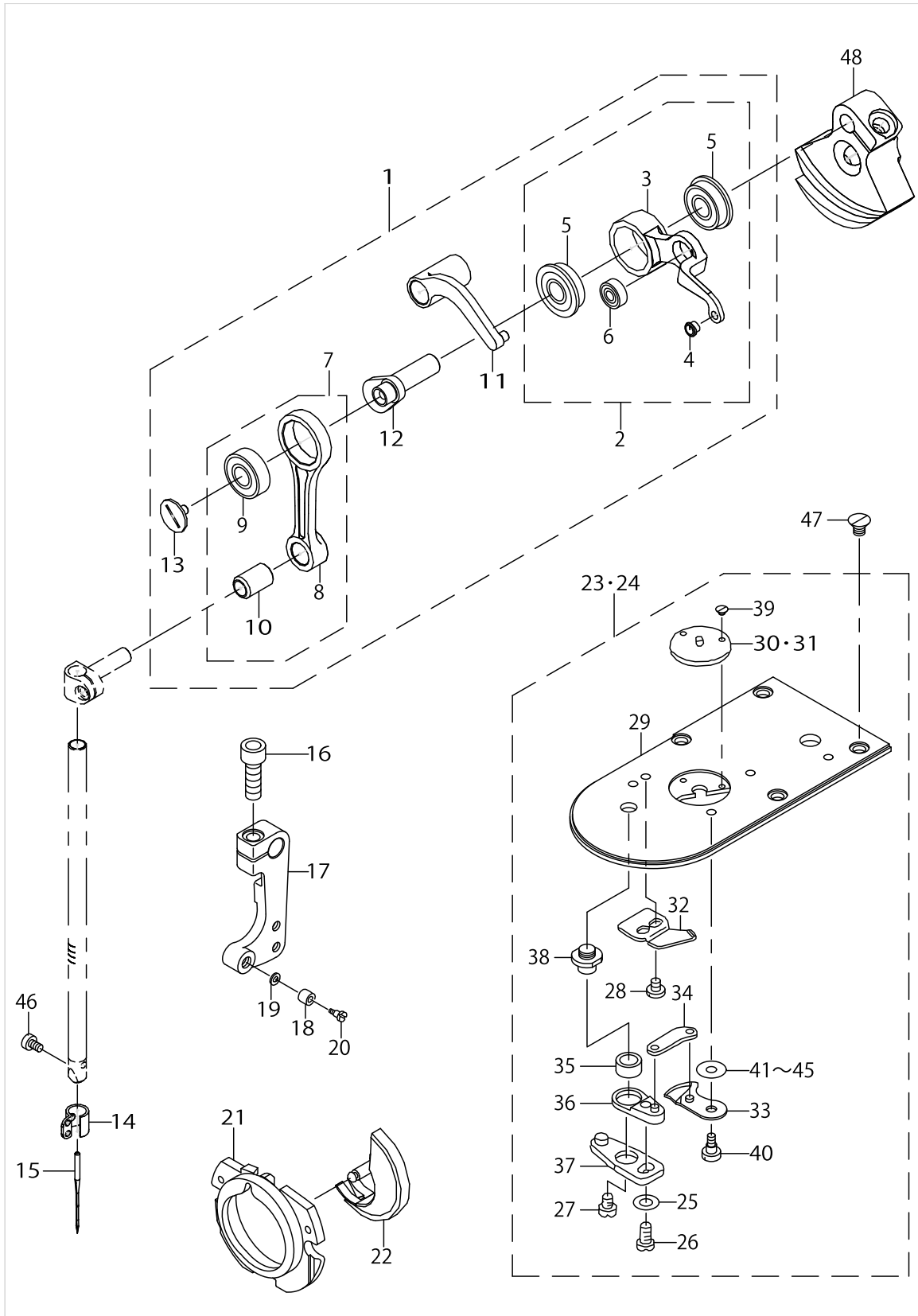
EXCLUSIVE PARTS FOR LK-1903ANS-311,LK-1903ANS-312 (2)



EXCLUSIVE PARTS FOR LK-1903ANS-311,LK-1903ANS-312 (2)

| No. | Parts No.   | Parts name                      | Remarks            | Level | Cons | Qty |
|-----|-------------|---------------------------------|--------------------|-------|------|-----|
| 1   | 40006923    | THREAD TAKE UP B COMPL.         |                    |       |      | 1   |
| 2   | 40006924    | THREAD TAKE UP LEVER B ASM.     |                    | *     |      | 1   |
| 3   | 40006925    | THREAD TAKE UP LEVER B          |                    | *     |      | 1   |
| 4   | B1908505000 | THREAD PASS BUSH                |                    | *     |      | 1   |
| 5   | SB108002200 | BEARING                         |                    | *     |      | 2   |
| 6   | SB104001600 | BEARING                         |                    | *     |      | 1   |
| 7   | 40006534    | NEEDLE BAR CRANK ROD ASM.       |                    | *     |      | 1   |
| 8   | 40006535    | NEEDLE BAR CRANK ROD            |                    | *     |      | 1   |
| 9   | SB108002300 | BEARING                         |                    | *     |      | 1   |
| 10  | 22891006    | NEEDLE BAR CRANK ROD BUSH       |                    | *     |      | 1   |
| 11  | 40006532    | THREAD TAKE UP CRANK            |                    | *     |      | 1   |
| 12  | 40006926    | NEEDLE ROD CRANK B              |                    | *     |      | 1   |
| 13  | B1903552000 | LEFT SCREW                      |                    | *     |      | 1   |
| 14  | 40006525    | NEEDLE BAR THREAD GUIDE         |                    |       |      | 1   |
| 15  | MDP170B1400 | NEEDLE DPX17 #14                |                    |       | ☆    | 1   |
| 16  | SM6061802TP | SCREW M6 L=18                   |                    |       |      | 1   |
| 17  | 40011949    | CONNECTING ARM B                |                    |       |      | 1   |
| 18  | B2619372000 | STOP MOTION TRIPPING LEVER CAM  |                    |       |      | 1   |
| 19  | B185351200E | HOOK SHAFT WASHER               |                    |       |      | 1   |
| 20  | SD0791271SP | HINGE SCREW D=7.94 H=12.7       |                    |       |      | 1   |
| 21  | 14103352    | INNER HOOK PRESSER ASM., B      |                    |       | ☆    | 1   |
| 22  | 40006580    | SHUTTLE                         |                    |       | ☆    | 1   |
| 23  | 40006725    | NEEDLE PLATE ASM.,M             | FOR LK-1903ANS-311 |       |      | 1   |
| 24  | 40006726    | NEEDLE PLATE ASM.,K             | FOR LK-1903ANS-312 |       |      | 1   |
| 25  | WP0450846SP | WASHER                          |                    | *     |      | 1   |
| 26  | SS7110740TP | SCREW 11/64-40 L=7              |                    | *     |      | 1   |
| 27  | SS6110430TP | SCREW 11/64-40 L=4.0            |                    | *     |      | 1   |
| 28  | SS7090410SP | SCREW 9/64-40 L=3.5             |                    | *     |      | 2   |
| 29  | 40006721    | NEEDLE PLATE                    |                    | *     |      | 1   |
| 30  | MAZ15801000 | GUIDE                           | FOR LK-1903ANS-311 | *     | ☆    | 1   |
| 31  | MAZ15601000 | GUIDE                           | FOR LK-1903ANS-312 | *     | ☆    | 1   |
| 32  | B2424280000 | FIXING KNIFE                    |                    | *     | ☆    | 1   |
| 33  | B24212800A0 | MOVING KNIFE ASM.               |                    | *     | ☆    | 1   |
| 34  | B2418280000 | MOVING KNIFE LINK               |                    | *     |      | 1   |
| 35  | B2416280000 | THREAD CUTTING LEVER RING       |                    | *     |      | 1   |
| 36  | B24152800A0 | THREAD CUTTER LEVER ASM., SMALL |                    | *     |      | 1   |
| 37  | B24142800A0 | THREAD CUTTER LEVER ASM., LARGE |                    | *     |      | 1   |
| 38  | B2417280000 | THREAD CUTTER LEVER SHAFT       |                    | *     |      | 1   |
| 39  | SS1060210TP | SCREW 3/32-56 L=2.2             |                    | *     | ☆    | 2   |
| 40  | SD0500091TP | HINGE SCREW D=5.0 H=0.9         |                    | *     |      | 1   |
| 41  | B242328000C | MOVING KNIFE WASHER C           | SELECTIVE PARTS    | *     |      | 1   |
| 42  | B242328000D | MOVING KNIFE WASHER D           | SELECTIVE PARTS    | *     |      | 1   |
| 43  | B242328000E | MOVING KNIFE WASHER E           | SELECTIVE PARTS    | *     |      | 1   |
| 44  | B242328000A | MOVING KNIFE WASHER A           | SELECTIVE PARTS    | *     |      | 1   |
| 45  | B242328000B | MOVING KNIFE WASHER B           | SELECTIVE PARTS    | *     |      | 1   |
| 46  | SM6030500SN | SCREW M3 L=5                    |                    |       |      | 1   |
| 47  | SM1040650TP | SCREW                           |                    |       |      | 4   |

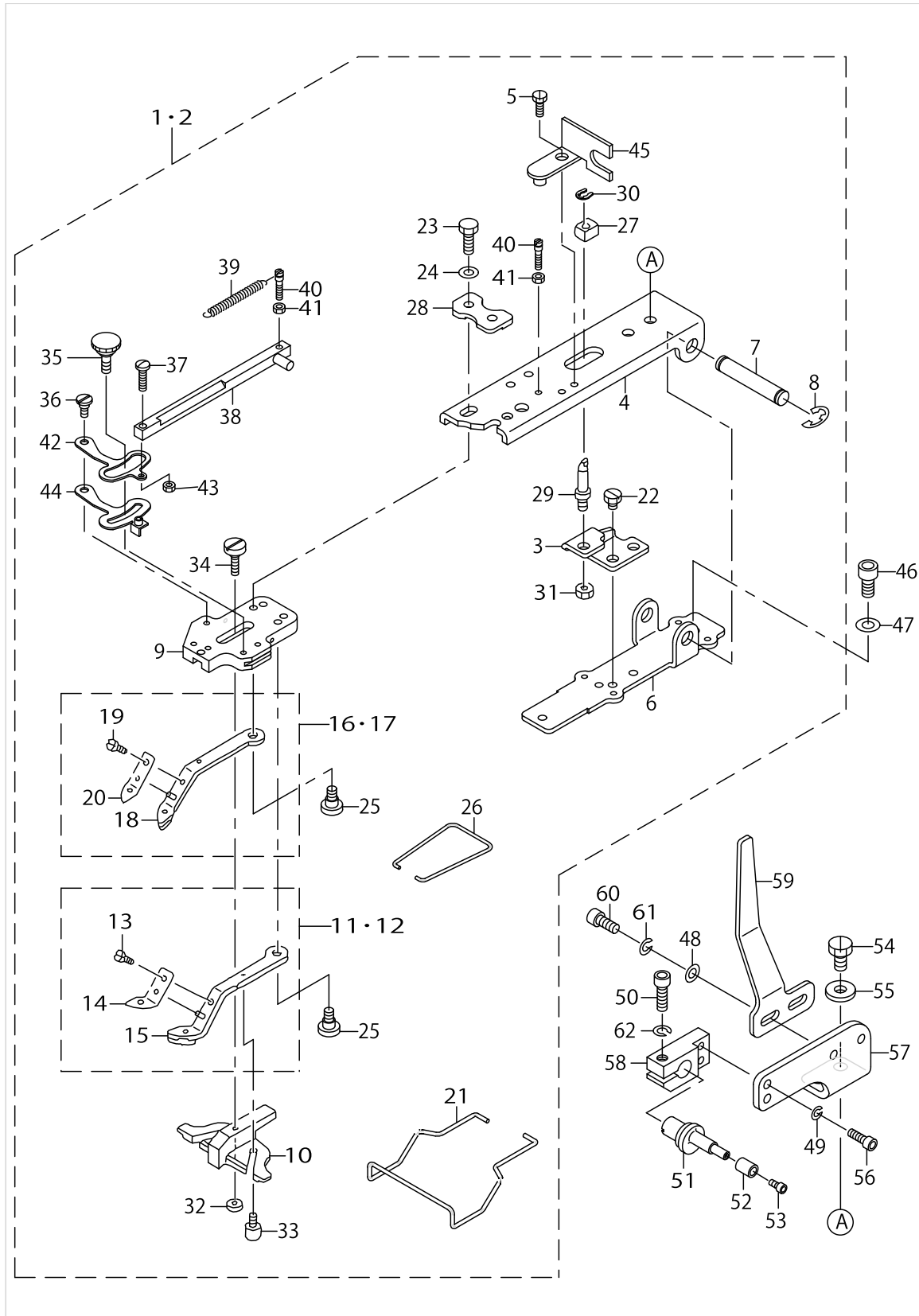
EXCLUSIVE PARTS FOR LK-1903ANS-311,LK-1903ANS-312 (2)



EXCLUSIVE PARTS FOR LK-1903ANS-311,LK-1903ANS-312 (2)

| No. | Parts No. | Parts name       | Remarks | Level | Cons | Qty |
|-----|-----------|------------------|---------|-------|------|-----|
| 48  | 40006927  | COUNTER_WEIGHT_B |         |       |      | 1   |

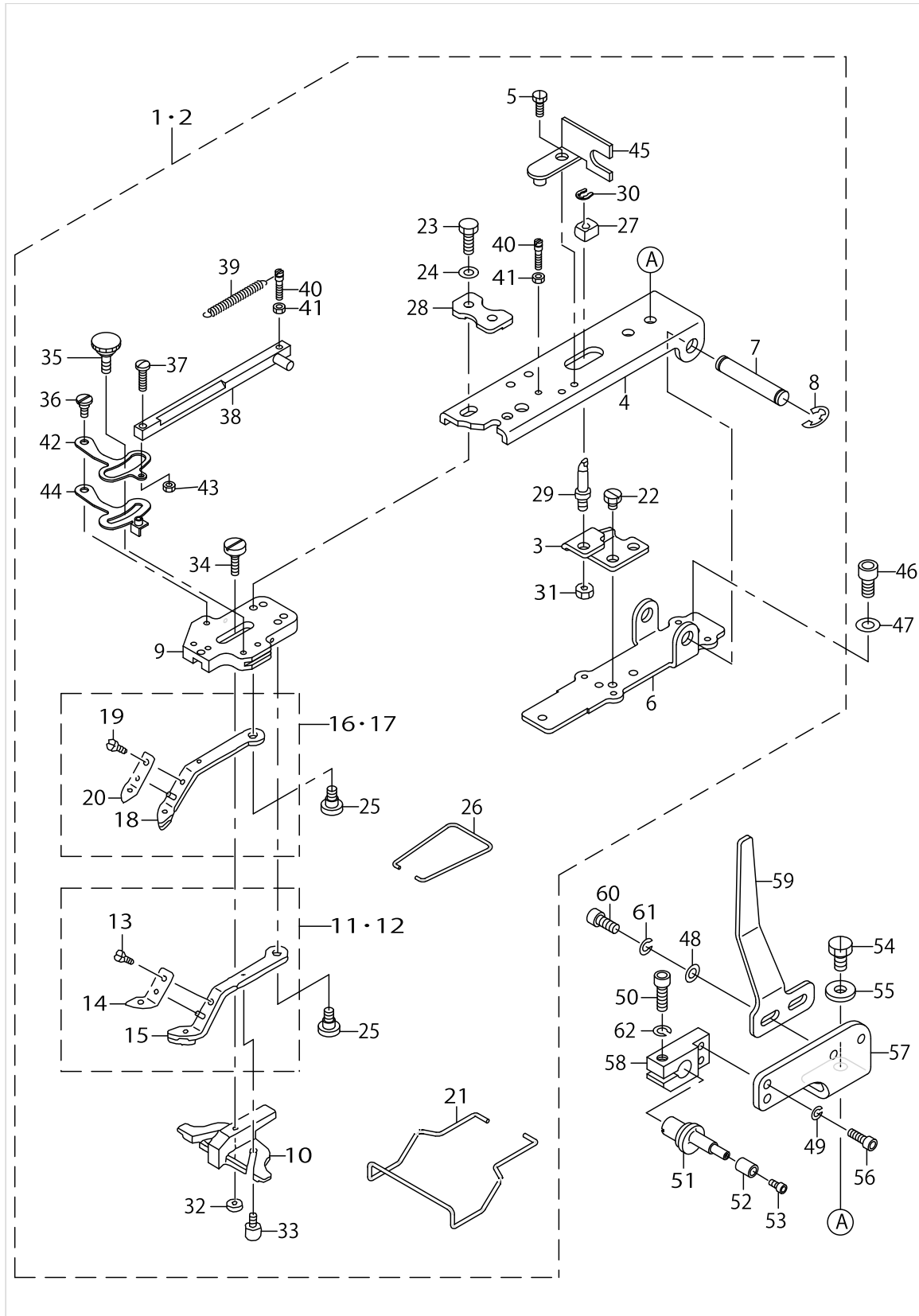
BUTTON CLAMP COMPONENTS



BUTTON CLAMP COMPONENTS

| No. | Parts No.    | Parts name                     | Remarks           | Level | Cons | Qty |
|-----|--------------|--------------------------------|-------------------|-------|------|-----|
| 1   | 14190052     | KNOB DEVICE JUNCTION COMPL.    | FOR LK-1903AN-311 |       |      | 1   |
| 2   | 14190151     | KNOB DEVICE JUNCTION COMPL.    | FOR LK-1903AN-312 |       |      | 1   |
| 3   | MAZ15514000  | SUPPORT PLATE                  |                   | *     |      | 1   |
| 4   | 14146203     | PICK-UP FOOT INSTALLING BASE   |                   | *     |      | 1   |
| 5   | SS9091010SP  | SCREW 9/64-40 L=10             |                   | *     |      | 1   |
| 6   | 14146104     | PICK-UP INSTALLING BASE        |                   | *     |      | 1   |
| 7   | 14141402     | INSTALLING SHAFT               |                   | *     |      | 1   |
| 8   | RE0700000K0  | E-RING 7                       |                   | *     |      | 2   |
| 9   | 14146302     | PICK-UP FOOT INSTALLING BASE   |                   | *     |      | 1   |
| 10  | MAZ16522000  | BUTTON GUIDE FOOT              |                   | *     |      | 1   |
| 11  | 14190458     | S BUTTON CLAMP JAW LEVER ASM.R | FOR LK-1903AN-311 | *     |      | 1   |
| 12  | MAZ166070B0  | M BUTTON CLAMP JAW LEVER ASM.R | FOR LK-1903AN-312 | *     |      | 1   |
| 13  | SS7090410SP  | SCREW 9/64-40 L=3.5            |                   | *     |      | 2   |
| 14  | MAZ08829000  | SPRING, RIGHT                  |                   | *     |      | 1   |
| 15  | MAZ166070A0  | M BUTTON CLAMP JAW LEVER ASM.R |                   | *     |      | 1   |
| 16  | 14190557     | S BUTTON CLAMP JAW LEVER ASM.L | FOR LK-1903AN-311 | *     |      | 1   |
| 17  | MAZ166080B0  | KNOB FOOT JUNCTION (LEFT)      | FOR LK-1903AN-312 | *     |      | 1   |
| 18  | MAZ166080A0  | MIDDLE BUTTON CLAMP LEVER ,L   |                   | *     |      | 1   |
| 19  | SS7090410SP  | SCREW 9/64-40 L=3.5            |                   | *     |      | 2   |
| 20  | MAZ08828000  | SPRING, LEFT                   |                   | *     |      | 1   |
| 21  | D3130M1YC00  | FINGER GUARD                   |                   | *     |      | 1   |
| 22  | SS9110460CP  | SCREW 11/64-40 L=4             |                   | *     |      | 2   |
| 23  | SS9621413SP  | SCREW 3/16-32 L=13.5           |                   | *     |      | 2   |
| 24  | WP0501016SD  | WASHER 5X10.5X1                |                   | *     |      | 2   |
| 25  | SD0640391TP  | HINGE SCREW D=6.35 H=3.9       |                   | *     |      | 2   |
| 26  | B2561372000  | BUTTON CLAMP SPRING            |                   | *     |      | 1   |
| 27  | MAZ15515000  | SLIDE BLOCK                    |                   | *     |      | 1   |
| 28  | 14190300     | FITTING BASE PRESSER PLATE     |                   | *     |      | 1   |
| 29  | 13540901     | STATIONING BLOCK SHAFT         |                   | *     |      | 1   |
| 30  | D2548232D00  | SNAP RING, FOR CONNECTING ROD  |                   | *     |      | 1   |
| 31  | NS6150310SP  | NUT 15/64-28                   |                   | *     |      | 1   |
| 32  | B2553372000  | NUT                            |                   | *     |      | 1   |
| 33  | B2560372000  | BUTTON CLAMP STOP PIN          |                   | *     |      | 2   |
| 34  | SD0550303TP  | HINGE SCREW D=5.5 H=3          |                   | *     |      | 1   |
| 35  | B2549372R00  | CLAMP SCREW A                  |                   | *     |      | 1   |
| 36  | SD0500404SP  | HINGE SCREW                    |                   | *     |      | 1   |
| 37  | SS7091480SP  | SCREW 9/64-40 L=13.5           |                   | *     |      | 1   |
| 38  | MAZ088270A0  | CLAMP PELEASE LINK ASM.        |                   | *     |      | 1   |
| 39  | GBR01606000  | RELEASE RETURN SPRING          |                   | *     |      | 1   |
| 40  | GBR01607000  | SPRING HOOK                    |                   | *     |      | 2   |
| 41  | NS6080210SP  | NUT 1/8-44                     |                   | *     |      | 2   |
| 42  | GBR01601000A | CLAMP RELEASE LEVER            |                   | *     |      | 1   |
| 43  | NS6090310SP  | NUT 9/64-40                    |                   | *     |      | 1   |
| 44  | B2548372RA0  | BUTTON CLAMP STOP LEVER ASM.   |                   | *     |      | 1   |
| 45  | D2572M1YC0F  | LINK SUPPORTING PLATE          |                   | *     |      | 1   |
| 46  | SM6061202TP  | SCREW M6 L=12                  |                   |       |      | 1   |
| 47  | WP0612516SD  | WASHER 6.1X15.2X2.5            |                   |       |      | 1   |

BUTTON CLAMP COMPONENTS

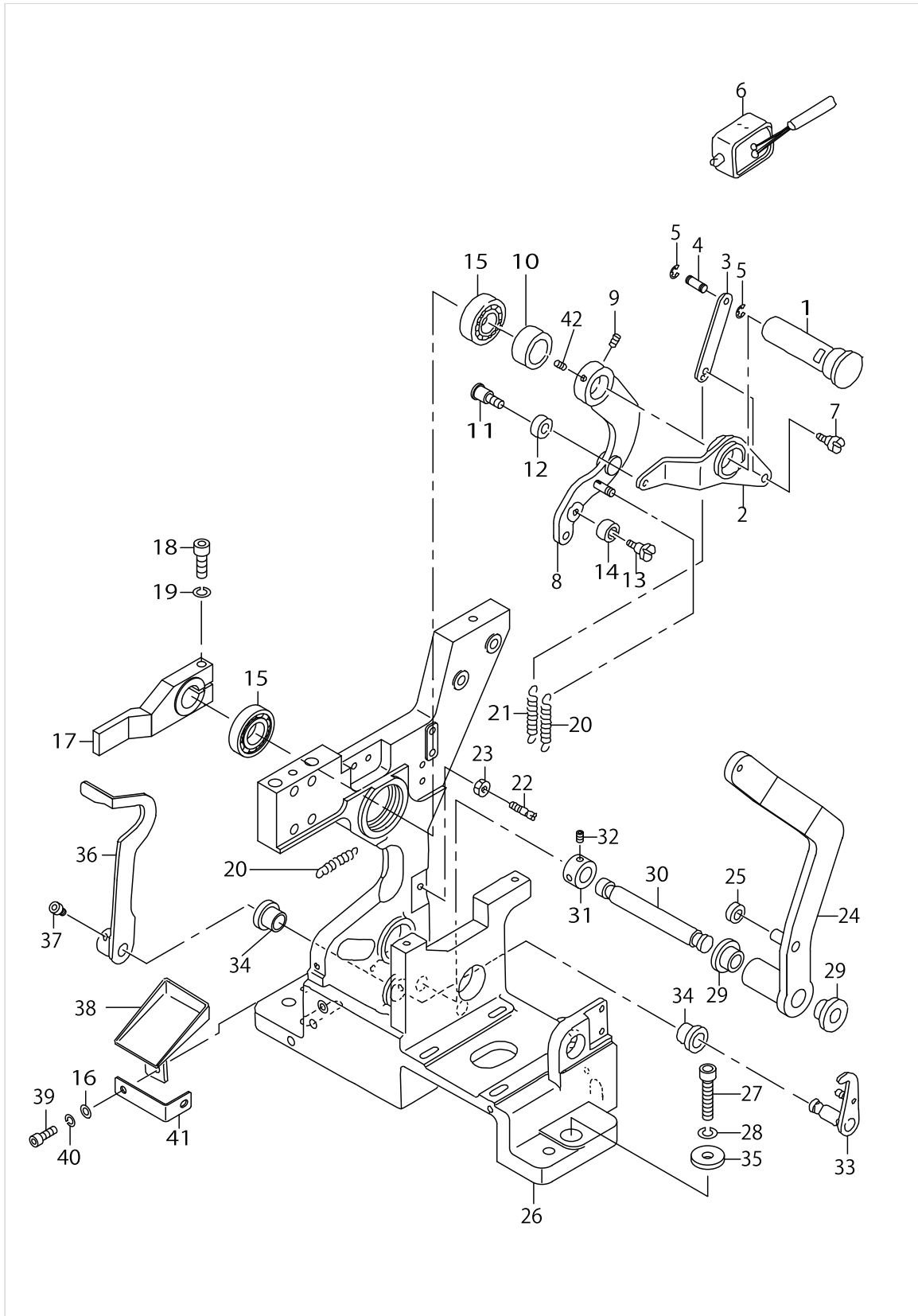


BUTTON CLAMP COMPONENTS

| No. | Parts No.   | Parts name                  | Remarks | Level | Cons | Qty |
|-----|-------------|-----------------------------|---------|-------|------|-----|
| 48  | WP0531000SD | WASHER M5                   |         |       |      | 2   |
| 49  | WS0410002KN | SPRING WASHER               |         |       |      | 2   |
| 50  | SM6051602TP | SCREW M5X0.8 L=16           |         |       |      | 1   |
| 51  | 18227603    | HOOK                        |         |       |      | 1   |
| 52  | 18200709    | BUTTON GAUGE FOR FOUR HOLES |         |       |      | 1   |
| 53  | SM6030602TP | SCREW M3X0.5 L=6            |         |       |      | 1   |
| 54  | SS9151120CP | SCREW 15/64-28 L=11         |         |       |      | 2   |
| 55  | WP0612516SD | WASHER 6.1X15.2X2.5         |         |       |      | 2   |
| 56  | SM6041202TP | SCREW M4X0.7 L=12           |         |       |      | 2   |
| 57  | GBR25004000 | HOLDER BRACKET              |         |       |      | 1   |
| 58  | 18209007    | HOOK HOLDER                 |         |       |      | 1   |
| 59  | GBR25003000 | LIFTING ACTUATING PLATE     |         |       |      | 1   |
| 60  | SM6051202TP | SCREW M5X0.8 L=12           |         |       |      | 2   |
| 61  | WS0510002KP | SPRING WASHER 5.1X9.2X1.3   |         |       |      | 2   |
| 62  | WS0510002KP | SPRING WASHER 5.1X9.2X1.3   |         |       |      | 1   |



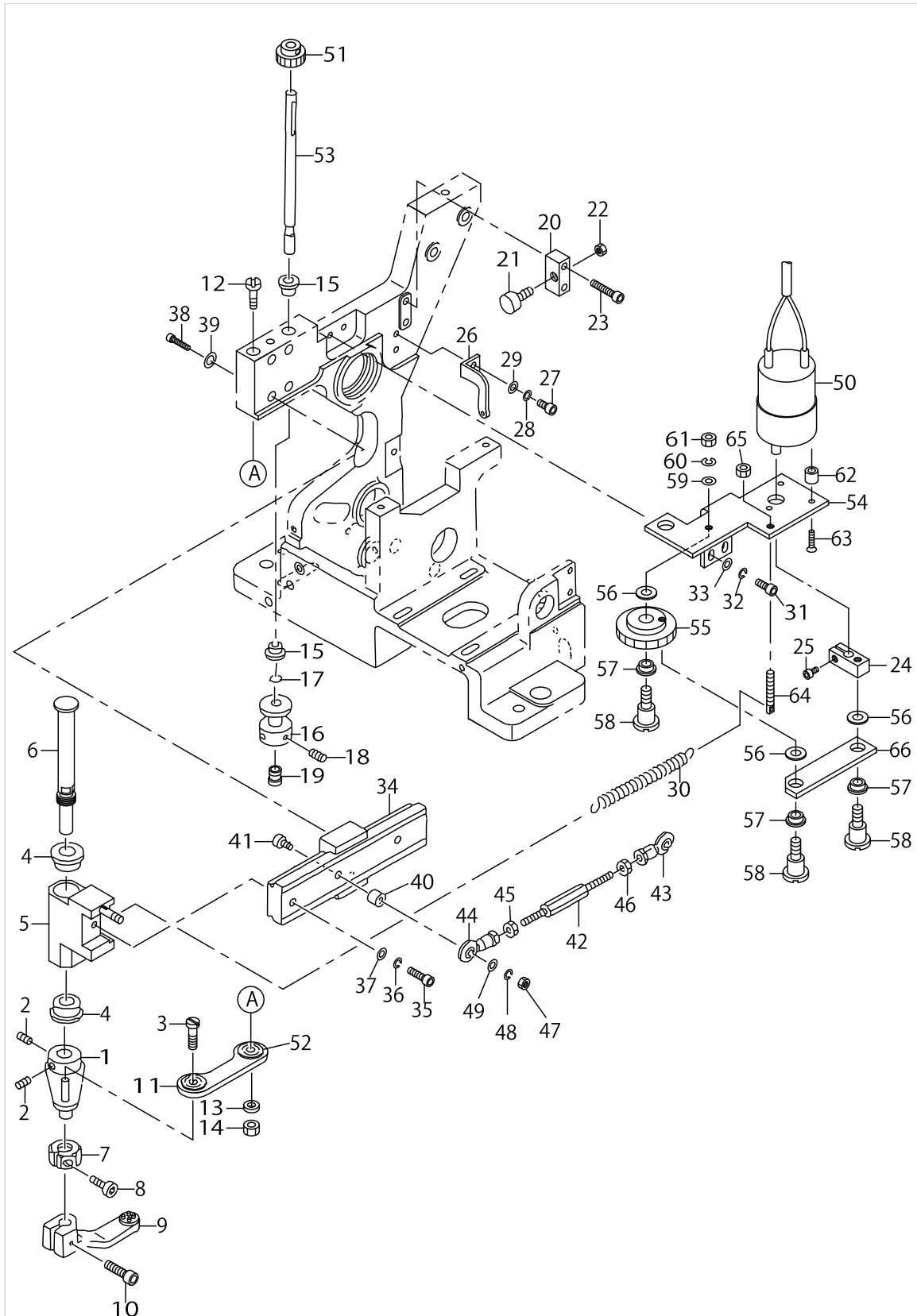
FINE POSITION OF BUTTONS COMPONENTS (1)



## FINE POSITION OF BUTTONS COMPONENTS (1)

| No. | Parts No.   | Parts name                 | Remarks | Level | Cons | Qty |
|-----|-------------|----------------------------|---------|-------|------|-----|
| 1   | 16552507    | ARM SHAFT                  |         |       |      | 1   |
| 2   | 18219709    | RUBBING UP-AND-DOWN LEVER  |         |       |      | 1   |
| 3   | 18218206    | RUBBING UP-AND-DOWN LINK   |         |       |      | 1   |
| 4   | 16557209    | PIN                        |         |       |      | 1   |
| 5   | RE0200000K0 | E-RING                     |         |       |      | 2   |
| 6   | GBR10852000 | MAGNET                     |         |       |      | 1   |
| 7   | SD0600341TP | HINGE SCREW D=6.0 H=3.4    |         |       |      | 1   |
| 8   | 18227850    | UP AND DOWN LEVER ASM.     |         |       |      | 1   |
| 9   | SM8050602TP | SCREW M5 L=6               |         |       |      | 2   |
| 10  | 16552606    | THRUST COLLAR              |         |       |      | 1   |
| 11  | SD0600401TP | HINGE SCREW D=6 H=4        |         |       |      | 1   |
| 12  | 18219808    | RUBBING ROLLER             |         |       |      | 1   |
| 13  | SD0601021SP | HINGE SCREW D=6 H=10.2     |         |       |      | 1   |
| 14  | 16556706    | BEARING                    |         |       |      | 1   |
| 15  | SB115000400 | RADIAL BEARING             |         |       |      | 2   |
| 16  | WP0430800SC | WASHER M4                  |         |       |      | 1   |
| 17  | 18207902    | UP AND DOWN ARM            |         |       |      | 1   |
| 18  | SM6052502TP | SCREW M5X0.8 L=25          |         |       |      | 1   |
| 19  | WS0510002KN | SPRING WASHER              |         |       |      | 1   |
| 20  | 16554008    | SPRING                     |         |       |      | 2   |
| 21  | 16553208    | SPRING                     |         |       |      | 1   |
| 22  | 16553307    | HOOK                       |         |       |      | 1   |
| 23  | NM6050001SC | NUT M5                     |         |       |      | 1   |
| 24  | 18206706    | TURNING LEVER              |         |       |      | 1   |
| 25  | 16556805    | COLLAR                     |         |       |      | 1   |
| 26  | 18227702    | MAIN BODY                  |         |       |      | 1   |
| 27  | SM6063002TP | SCREW M6 L=30              |         |       |      | 3   |
| 28  | WS0610002KN | SPRING WASHER 6.1X12.2X1.5 |         |       |      | 3   |
| 29  | 16557506    | LEVER SHAFT METAL          |         |       |      | 2   |
| 30  | 16554503    | SHAFT                      |         |       |      | 1   |
| 31  | 16559304    | COLLAR                     |         |       |      | 1   |
| 32  | SM8040602TP | SCREW M4X0.7 L=6           |         |       |      | 2   |
| 33  | 18217752    | CLAMP RELEASE ASM.         |         |       |      | 1   |
| 34  | 16557605    | SHAFT BUSHING              |         |       |      | 2   |
| 35  | 16559601    | WASHER                     |         |       |      | 3   |
| 36  | 18206904    | CLAMP RELEASE ARM          |         |       |      | 1   |
| 37  | SM6050802TP | SCREW M5X0.8 L=8           |         |       |      | 2   |
| 38  | 16550105    | SUPPORT PLATE              |         |       |      | 1   |
| 39  | SM6040802TP | SCREW M4X0.7 L=8           |         |       |      | 1   |
| 40  | WS0410002KN | SPRING WASHER              |         |       |      | 1   |
| 41  | GBR25005000 | CAM FIXING PLATE           |         |       |      | 1   |
| 42  | SM8050612TP | SCREW M5X6                 |         |       |      | 1   |

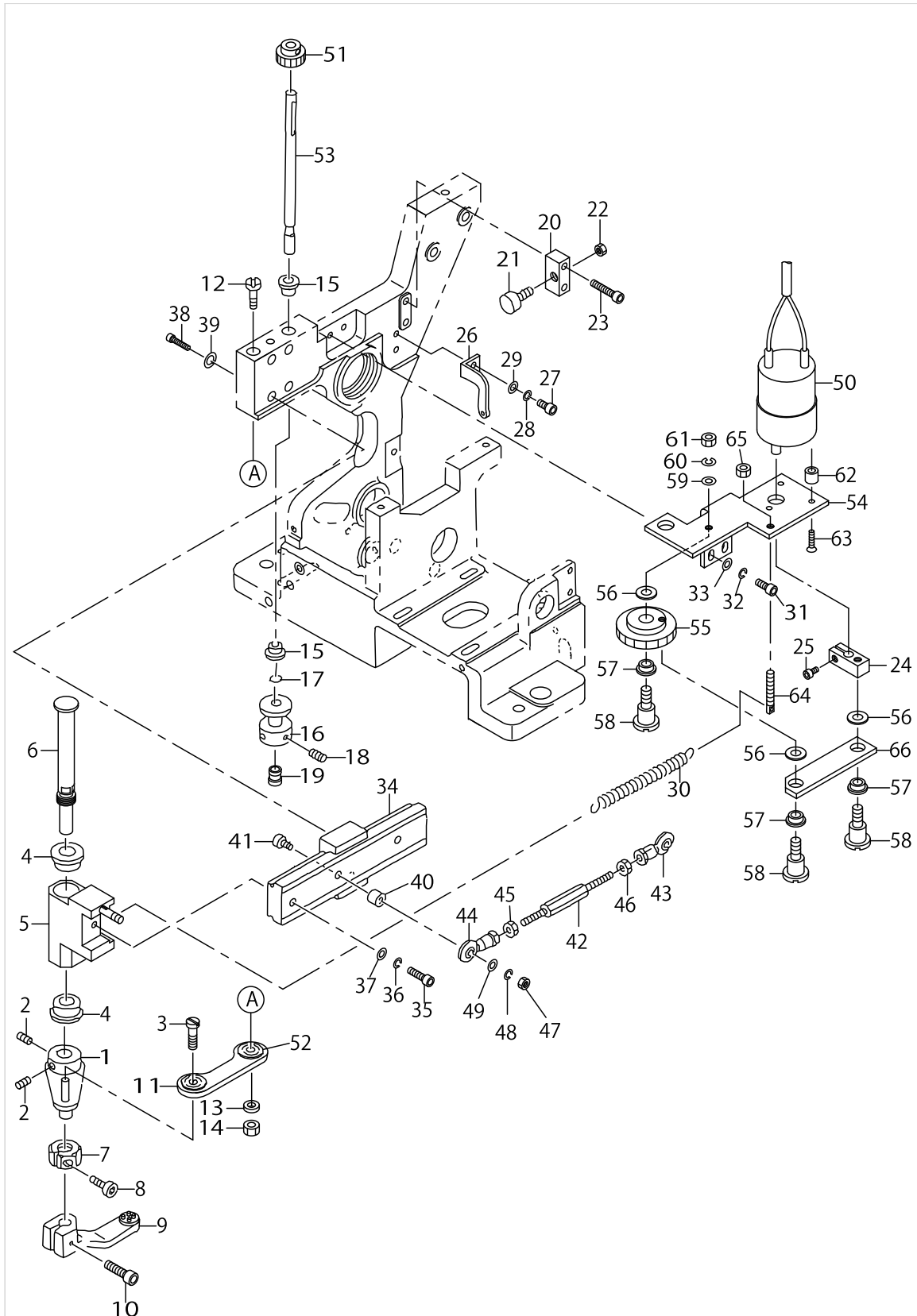
FINE POSITION OF BUTTONS COMPONENTS (2)



FINE POSITION OF BUTTONS COMPONENTS (2)

| No. | Parts No.   | Parts name              | Remarks | Level | Cons | Qty |
|-----|-------------|-------------------------|---------|-------|------|-----|
| 1   | 18206003    | TURNING LEVER BOSS      |         |       |      | 1   |
| 2   | SM8050602TP | SCREW M5 L=6            |         |       |      | 2   |
| 3   | 16550808    | SCREW                   |         |       |      | 1   |
| 4   | 16557407    | ARM SHAFT METAL         |         |       |      | 2   |
| 5   | 18227959    | TURNING HEAD ASM.       |         |       |      | 1   |
| 6   | 18205906    | TURNING SHAFT           |         |       |      | 1   |
| 7   | 18206409    | STOPPER                 |         |       |      | 1   |
| 8   | SM6031202TP | SCREW M3X0.5 L=12       |         |       |      | 1   |
| 9   | 16557902    | BUTTON CARRIER A        |         |       |      | 1   |
| 10  | SM6051402TP | SCREW M5X0.8 L=14       |         |       |      | 1   |
| 11  | 18206607    | CONNECTING PLATE        |         |       |      | 1   |
| 12  | 18205708    | SCREW                   |         |       |      | 1   |
| 13  | WS0510002KS | SPRING WASHER M5        |         |       |      | 1   |
| 14  | NM6050001SC | NUT M5                  |         |       |      | 1   |
| 15  | 16557308    | METAL                   |         |       |      | 2   |
| 16  | 16551905    | HOOK                    |         |       |      | 1   |
| 17  | 16558801    | O-RING                  |         |       |      | 1   |
| 18  | SM8040602TP | SCREW M4X0.7 L=6        |         |       |      | 2   |
| 19  | 18200501    | WORK ATTACHMENT (SMALL) |         |       | ☆    | 1   |
| 20  | 18218800    | STOPPER HOLDER          |         |       |      | 1   |
| 21  | 16552309    | STOPPER                 |         |       |      | 1   |
| 22  | NM6040001SC | NUT M4                  |         |       |      | 1   |
| 23  | SM6042002TP | SCREW M4X0.7 L=20       |         |       |      | 2   |
| 24  | GBR11112000 | DRIVING ARM             |         |       |      | 1   |
| 25  | SS6111052TP | SCREW                   |         |       |      | 1   |
| 26  | 18205401    | SPRING HOOK             |         |       |      | 1   |
| 27  | SM6041202TP | SCREW M4X0.7 L=12       |         |       |      | 2   |
| 28  | WS0410002KN | SPRING WASHER           |         |       |      | 2   |
| 29  | WP0430800SC | WASHER M4               |         |       |      | 2   |
| 30  | 16551806    | SPRING                  |         |       |      | 1   |
| 31  | SM6041002TP | SCREW M4 L=10           |         |       |      | 2   |
| 32  | WS0410002KN | SPRING WASHER           |         |       |      | 2   |
| 33  | WP0430800SC | WASHER M4               |         |       |      | 2   |
| 34  | 16556607    | LM GUIDE                |         |       |      | 1   |
| 35  | SM6041402TP | SCREW M4 L=14           |         |       |      | 1   |
| 36  | WS0410002KN | SPRING WASHER           |         |       |      | 1   |
| 37  | WP0430800SC | WASHER M4               |         |       |      | 1   |
| 38  | SM6031402TP | SCREW                   |         |       |      | 4   |
| 39  | WS0310002KN | SPRING WASHER M3        |         |       |      | 4   |
| 40  | 16550402    | COLLAR B                |         |       |      | 1   |
| 41  | SM6042502TP | SCREW M4X0.7 L=25       |         |       |      | 1   |
| 42  | 16550204    | CONNECTING ROD          |         |       |      | 1   |
| 43  | 16556409    | ROD END                 |         |       |      | 1   |
| 44  | 16556300    | ROD END                 |         |       |      | 1   |
| 45  | NM6040001SC | NUT M4                  |         |       |      | 1   |
| 46  | GBR01175000 | ROD END NUT, LEFT       |         |       |      | 1   |
| 47  | NM6040001SC | NUT M4                  |         |       |      | 1   |

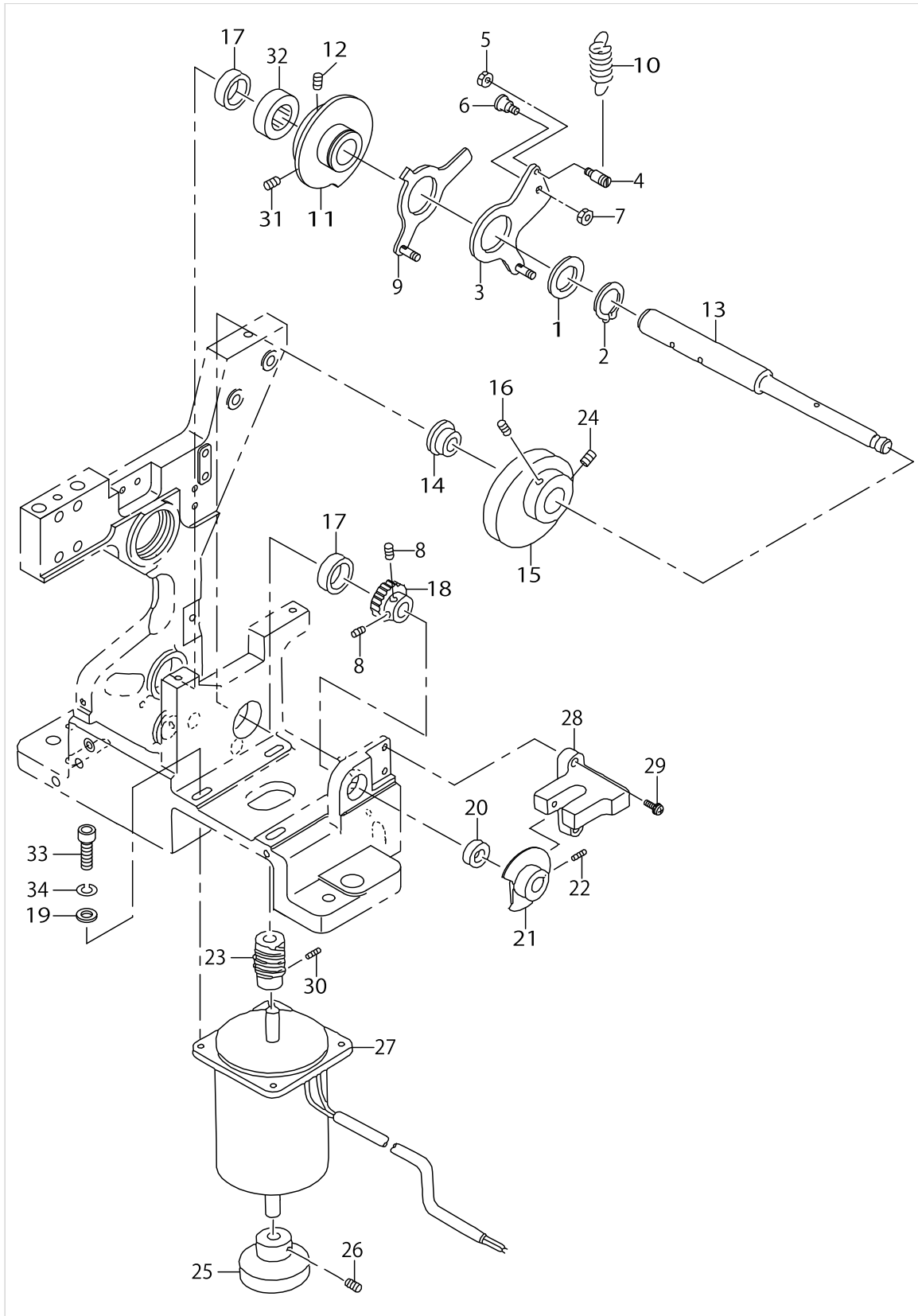
FINE POSITION OF BUTTONS COMPONENTS (2)



## FINE POSITION OF BUTTONS COMPONENTS (2)

| No. | Parts No.   | Parts name                     | Remarks | Level | Cons | Qty |
|-----|-------------|--------------------------------|---------|-------|------|-----|
| 48  | WS0410002KN | SPRING WASHER                  |         |       |      | 1   |
| 49  | WP0430800SC | WASHER M4                      |         |       |      | 1   |
| 50  | GBR108550A0 | DC MOTOR ASM.                  |         |       |      | 1   |
| 51  | GBR11110000 | PINION, A                      |         |       |      | 1   |
| 52  | 16556508    | SPRIT                          |         |       |      | 1   |
| 53  | 18206201    | ROTATING ROD                   |         |       |      | 1   |
| 54  | GBR11109000 | BRACKET                        |         |       |      | 1   |
| 55  | GBR11111000 | PINION, B                      |         |       |      | 1   |
| 56  | GBR11114000 | WASHER                         |         |       |      | 3   |
| 57  | E5006171000 | PS BEARING                     |         |       |      | 3   |
| 58  | SD0600651TP | HINGE SCREW                    |         |       |      | 3   |
| 59  | WP0430801SC | WASHER 4.3X9X0.8               |         |       |      | 1   |
| 60  | WS0410002KN | SPRING WASHER                  |         |       |      | 1   |
| 61  | NS6110360SP | NUT                            |         |       |      | 1   |
| 62  | GBR11115000 | MOTOR SPACER.                  |         |       |      | 3   |
| 63  | SM1031401SC | SCREW M3X0.5 L=14              |         |       |      | 3   |
| 64  | B1649161000 | TENSION SPRING ADJUSTING SCREW |         |       |      | 1   |
| 65  | NS6110360SP | NUT                            |         |       |      | 1   |
| 66  | GBR11113000 | LINK                           |         |       |      | 1   |

# DRIVE CAM COMPONENTS

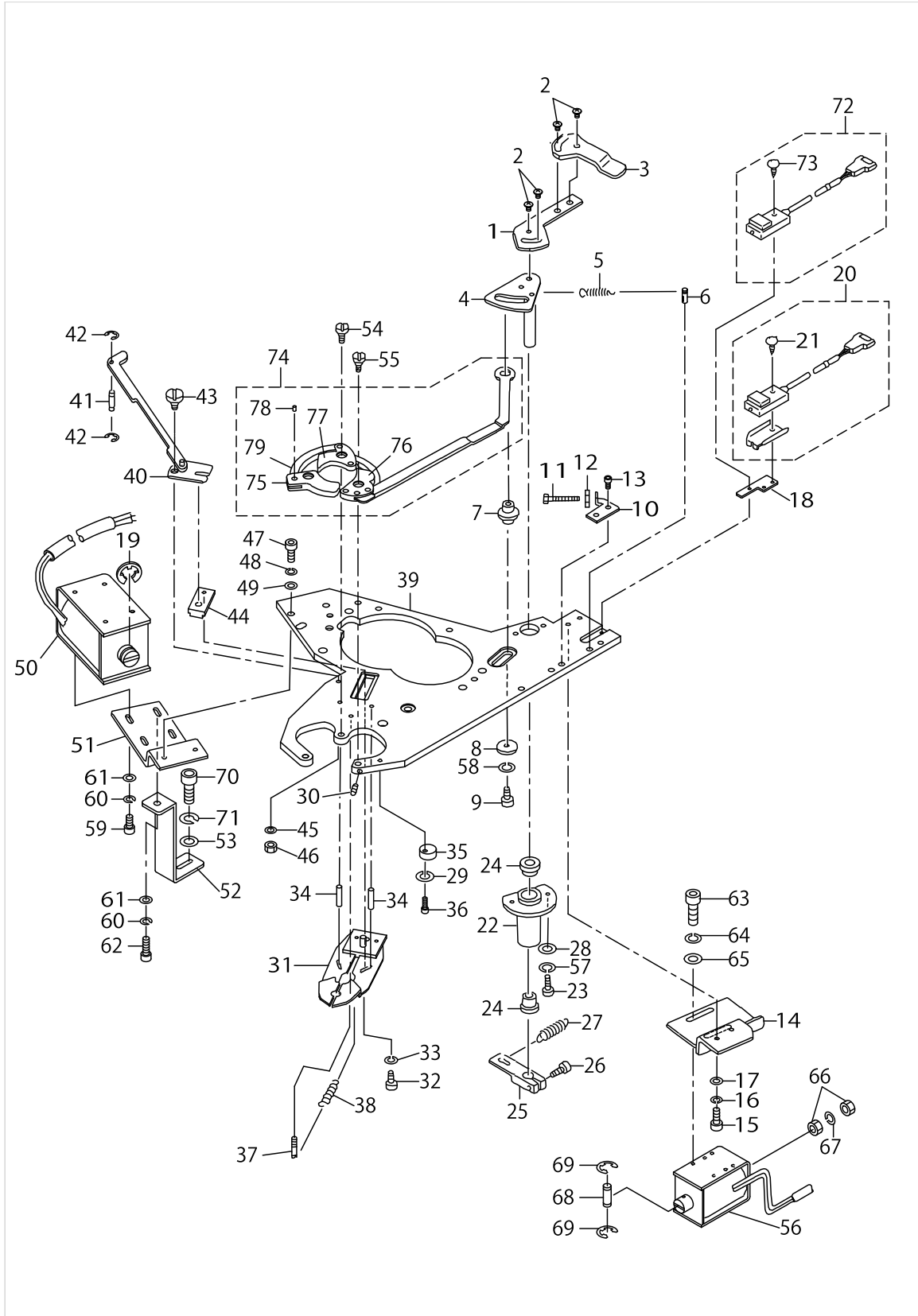


DRIVE CAM COMPONENTS

| No. | Parts No.   | Parts name                   | Remarks | Level | Cons | Qty |
|-----|-------------|------------------------------|---------|-------|------|-----|
| 1   | GBR01120000 | COLLAR                       |         |       |      | 1   |
| 2   | RC2500001KP | RETAINING RING 25            |         |       |      | 1   |
| 3   | 18217950    | START TIMING CAM ASM.        |         |       |      | 1   |
| 4   | 16562803    | HOOK                         |         |       |      | 1   |
| 5   | NM6040001SC | NUT M4                       |         |       |      | 1   |
| 6   | 16562902    | HINGE SCREW                  |         |       |      | 1   |
| 7   | NM6050001SC | NUT M5                       |         |       |      | 1   |
| 8   | SM8050602TP | SCREW M5 L=6                 |         |       |      | 2   |
| 9   | 18227553    | HOLDING CLAMP DRIVE CAM ASM. |         |       |      | 1   |
| 10  | B1426771000 | SPRING                       |         |       |      | 1   |
| 11  | 18207209    | DOUBLE CAM                   |         |       |      | 1   |
| 12  | SM8050612TP | SCREW M5X6                   |         |       |      | 1   |
| 13  | 18207506    | CAM SHAFT                    |         |       |      | 1   |
| 14  | 16560104    | CAM SHAFT COLLAR 1           |         |       |      | 1   |
| 15  | 16561607    | SPINNER OSCILLATING ARM CAM  |         |       |      | 1   |
| 16  | SM8050812TP | SCREW M5X8                   |         |       |      | 1   |
| 17  | GBR01168000 | NEEDLE BEARING 3             |         |       |      | 2   |
| 18  | 16562001    | WORM WHEEL                   |         |       |      | 1   |
| 19  | WP0641600SC | WASHEW 6.4X12.5X1.6          |         |       |      | 4   |
| 20  | 16562308    | NEEDLE BEARING               |         |       |      | 1   |
| 21  | 16560302    | SENSOR DOCK                  |         |       |      | 1   |
| 22  | SM8040602TP | SCREW M4X0.7 L=6             |         |       |      | 1   |
| 23  | 16562100    | WORM GEAR                    |         |       |      | 1   |
| 24  | SM8050842TP | SETSCREW                     |         |       |      | 1   |
| 25  | 16561904    | MOTOR KNOB                   |         |       |      | 1   |
| 26  | SM8050602TP | SCREW M5 L=6                 |         |       |      | 1   |
| 27  | GBR108590A0 | DC MOTOR ASM.                |         |       |      | 1   |
| 28  | HD000360000 | PHOTO MICRO SENSOR           |         |       |      | 1   |
| 29  | SL4031081SC | SCREW M3 X 10                |         |       |      | 2   |
| 30  | SM8040402TP | SCREW M4X0.7 L=4             |         |       |      | 2   |
| 31  | SM8050842TP | SETSCREW                     |         |       |      | 1   |
| 32  | 16560203    | CAM SHAFT COLLAR 2           |         |       |      | 1   |
| 33  | SM6062002TP | SCREW M6 L=20                |         |       |      | 4   |
| 34  | WS0610002KN | SPRING WASHER 6.1X12.2X1.5   |         |       |      | 4   |



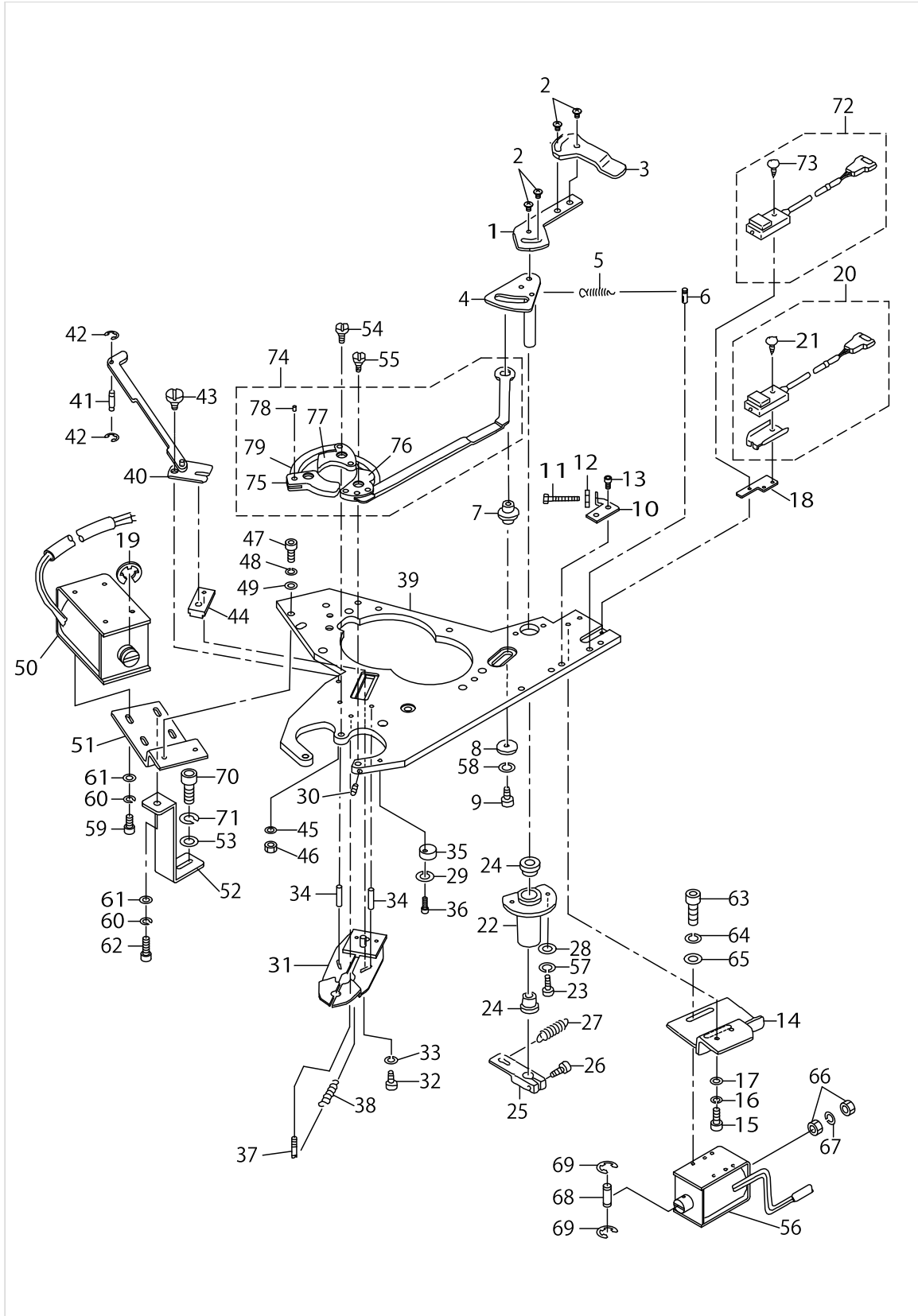
INDEX COMPONENTS (1)



INDEX COMPONENTS (1)

| No. | Parts No.    | Parts name                 | Remarks | Level | Cons | Qty |
|-----|--------------|----------------------------|---------|-------|------|-----|
| 1   | 16566507     | CHECK DOG                  |         |       |      | 1   |
| 2   | SM0040601SC  | SCREW M4X0.7 L=6           |         |       |      | 4   |
| 3   | 16574105     | DOG                        |         |       |      | 1   |
| 4   | 16566002     | SPINNER CAM                |         |       |      | 1   |
| 5   | 16553208     | SPRING                     |         |       |      | 1   |
| 6   | 18218909     | DW PIN 4X12                |         |       |      | 1   |
| 7   | 16565707     | SHAFT (3)                  |         |       |      | 1   |
| 8   | B2107816000A | WASHER                     |         |       |      | 1   |
| 9   | SM6041002TP  | SCREW M4 L=10              |         |       |      | 1   |
| 10  | 16566606     | STOPPER BKT                |         |       |      | 1   |
| 11  | SM8042502TP  | SCREW M4X0.7 L=25          |         |       |      | 1   |
| 12  | NM6040001SC  | NUT M4                     |         |       |      | 1   |
| 13  | SM6040802TR  | SCREW M4X0.7 L=8           |         |       |      | 2   |
| 14  | 16567000     | BRACKET (1)                |         |       |      | 1   |
| 15  | SM6041002TP  | SCREW M4 L=10              |         |       |      | 2   |
| 16  | WS0410002KN  | SPRING WASHER              |         |       |      | 2   |
| 17  | WP0430800SC  | WASHER M4                  |         |       |      | 2   |
| 18  | 16574006     | BRACKET                    |         |       |      | 1   |
| 19  | RE1200000K0  | E-RING 12                  |         |       |      | 1   |
| 20  | GBR108430A0  | RUB COMPLETION SWITCH ASM. |         |       |      | 1   |
| 21  | SM0861201SA  | SCREW                      |         | *     |      | 1   |
| 22  | 16565905     | CUPLING                    |         |       |      | 1   |
| 23  | SM6041002TP  | SCREW M4 L=10              |         |       |      | 2   |
| 24  | 16572406     | METAL                      |         |       |      | 2   |
| 25  | 16566408     | LINK LEVER                 |         |       |      | 1   |
| 26  | SM6041202TP  | SCREW M4X0.7 L=12          |         |       |      | 1   |
| 27  | 18201608     | SPRING, 2                  |         |       |      | 1   |
| 28  | WP0430800SC  | WASHER M4                  |         |       |      | 2   |
| 29  | WP0430800SC  | WASHER M4                  |         |       |      | 1   |
| 30  | SM8030402TP  | SCREW M3X0.5 L=4           |         |       |      | 1   |
| 31  | 16567166     | SHUTTER PLATE ASM.         |         |       |      | 1   |
| 32  | SM6041202TP  | SCREW M4X0.7 L=12          |         |       |      | 1   |
| 33  | WS0410002KN  | SPRING WASHER              |         |       |      | 1   |
| 34  | 18204107     | PIN                        |         |       |      | 2   |
| 35  | 18209502     | ECCENTRIC STOPPER          |         |       |      | 1   |
| 36  | SM6041202TP  | SCREW M4X0.7 L=12          |         |       |      | 1   |
| 37  | 18219204     | DW PIN 4X18                |         |       |      | 1   |
| 38  | 16554008     | SPRING                     |         |       |      | 1   |
| 39  | 18217505     | TOP PLATE                  |         |       |      | 1   |
| 40  | 16567802     | LINK PLATE                 |         |       |      | 1   |
| 41  | 16572505     | PIN                        |         |       |      | 1   |
| 42  | RE0250000K0  | E-RING 2.5                 |         |       |      | 2   |
| 43  | 16567901     | HING SCREW                 |         |       |      | 1   |
| 44  | 16573305     | SLIDER BLOCK               |         |       |      | 1   |
| 45  | WS0410002KN  | SPRING WASHER              |         |       |      | 2   |
| 46  | NM6040001SC  | NUT M4                     |         |       |      | 2   |
| 47  | SM6041002TP  | SCREW M4 L=10              |         |       |      | 2   |

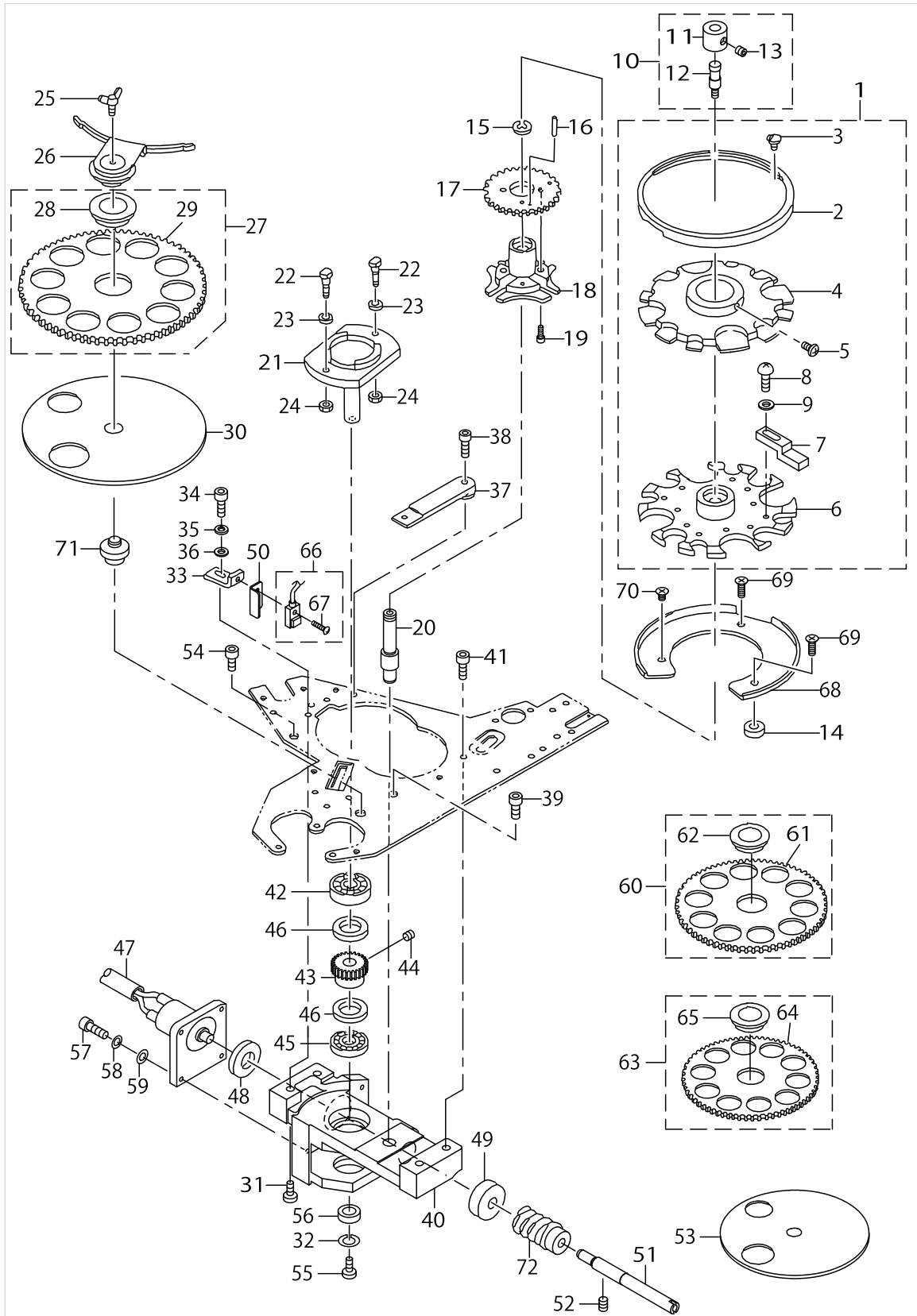
INDEX COMPONENTS (1)



INDEX COMPONENTS (1)

| No. | Parts No.   | Parts name                 | Remarks | Level | Cons | Qty |
|-----|-------------|----------------------------|---------|-------|------|-----|
| 48  | WS0410002KN | SPRING WASHER              |         |       |      | 2   |
| 49  | WP0430800SC | WASHER M4                  |         |       |      | 2   |
| 50  | GBR10853000 | MAGNET                     |         |       |      | 1   |
| 51  | 16568206    | BRACKET (2)                |         |       |      | 1   |
| 52  | 16574204    | SUPPORT PLATE              |         |       |      | 1   |
| 53  | WP0641600SC | WASHEW 6.4X12.5X1.6        |         |       |      | 1   |
| 54  | 16565400    | HING PIN (2)               |         |       |      | 2   |
| 55  | 16565509    | HING PIN (1)               |         |       |      | 1   |
| 56  | GBR10854000 | MAGNET                     |         |       |      | 1   |
| 57  | WS0410002KN | SPRING WASHER              |         |       |      | 2   |
| 58  | WS0410002KN | SPRING WASHER              |         |       |      | 1   |
| 59  | SM6040802TP | SCREW M4X0.7 L=8           |         |       |      | 3   |
| 60  | WS0410002KN | SPRING WASHER              |         |       |      | 4   |
| 61  | WP0430800SC | WASHER M4                  |         |       |      | 4   |
| 62  | SM6041202TP | SCREW M4X0.7 L=12          |         |       |      | 1   |
| 63  | SM6040802TP | SCREW M4X0.7 L=8           |         |       |      | 2   |
| 64  | WS0410002KN | SPRING WASHER              |         |       |      | 2   |
| 65  | WP0430800SC | WASHER M4                  |         |       |      | 2   |
| 66  | NM6040001SC | NUT M4                     |         |       |      | 2   |
| 67  | WS0410002KN | SPRING WASHER              |         |       |      | 1   |
| 68  | 16557209    | PIN                        |         |       |      | 1   |
| 69  | RE0200000K0 | E-RING                     |         |       |      | 2   |
| 70  | SM6061602TP | SCREW M6 L=16              |         |       |      | 1   |
| 71  | WS0610002KN | SPRING WASHER 6.1X12.2X1.5 |         |       |      | 1   |
| 72  | GBR108440A0 | BUTTON SENSOR SWITCH ASM.  |         |       |      | 1   |
| 73  | SM0861201SA | SCREW M2.6 L=12            |         | *     |      | 1   |
| 74  | 18202150    | CHECK ASM., A              |         |       |      | 1   |
| 75  | 18204909    | CHECK, E                   |         | *     |      | 1   |
| 76  | 18202101    | CHECK, C                   |         | *     |      | 1   |
| 77  | 18202200    | CHECK, D                   |         | *     |      | 1   |
| 78  | 16572000    | PIN                        |         | *     |      | 5   |
| 79  | 16565301    | STITCH TONGUE LINK         |         | *     |      | 2   |

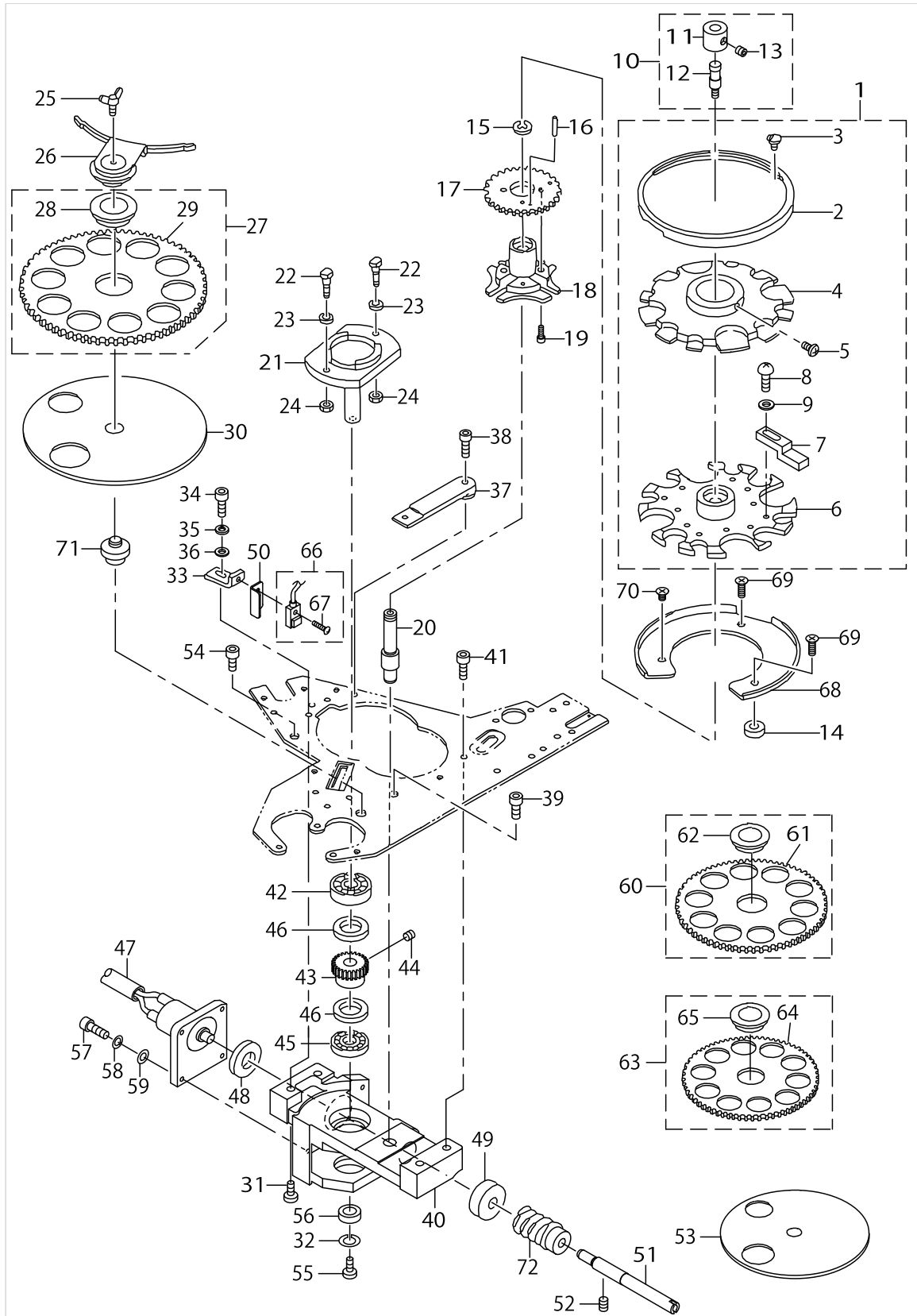
INDEX COMPONENTS (2)



INDEX COMPONENTS (2)

| No. | Parts No.   | Parts name                | Remarks                | Level | Cons | Qty |
|-----|-------------|---------------------------|------------------------|-------|------|-----|
| 1   | 18201962    | FEED ACROSS PLATE ASM. A  |                        |       |      | 1   |
| 2   | 16573701    | RING                      |                        | *     |      | 1   |
| 3   | SM0040601SC | SCREW M4X0.7 L=6          |                        | *     |      | 2   |
| 4   | 18203307    | ADJUSTING PLATE           |                        | *     |      | 1   |
| 5   | SL4030881SC | SCREW M3 L=8              |                        | *     |      | 1   |
| 6   | 18201905    | FEED PLATE A              |                        | *     |      | 1   |
| 7   | 18202002    | BUTTON ADJUST A           |                        | *     |      | 8   |
| 8   | SM4860501SC | SCREW M 2.6 X 5           |                        | *     |      | 8   |
| 9   | WP0280500SC | WASHER                    |                        | *     |      | 8   |
| 10  | 18213454    | LOCK SCREW ASM.           |                        |       |      | 1   |
| 11  | 18213405    | LOCK COLLAR               |                        | *     |      | 1   |
| 12  | 18213504    | LOCK SHAFT                |                        | *     |      | 1   |
| 13  | SM8050502TP | SCREW M5 L=5              |                        | *     |      | 1   |
| 14  | 16573008    | COLLAR                    |                        |       |      | 2   |
| 15  | 16571903    | CLIP                      |                        |       |      | 1   |
| 16  | 18204206    | PIN                       |                        |       |      | 1   |
| 17  | 16569600    | GEAR                      |                        |       |      | 1   |
| 18  | 16569501    | GENEVA                    |                        |       |      | 1   |
| 19  | SM6030802TP | SCREW M3X0.5 L=8          |                        |       |      | 2   |
| 20  | 18219501    | DIVIDING MAIN SHAFT       |                        |       |      | 1   |
| 21  | 16570103    | WHEEL                     |                        |       |      | 1   |
| 22  | 16570202    | SCREW                     |                        |       |      | 2   |
| 23  | 16570301    | COLLAR                    |                        |       |      | 2   |
| 24  | NM6040001SC | NUT M4                    |                        |       |      | 2   |
| 25  | 18204503    | WING BOLT                 |                        |       |      | 1   |
| 26  | 16568909    | COVER CAP                 |                        |       |      | 1   |
| 27  | 18200352    | FEED PLATE CIRCLE 16 ASM. | FOR SMALL-SIZED BUTTON |       |      | 1   |
| 28  | 16572703    | METAL                     |                        | *     |      | 1   |
| 29  | 18200303    | FEED PLATE 16             |                        | *     |      | 1   |
| 30  | 16568404    | FERRULE DISC              |                        |       |      | 1   |
| 31  | SM6052002TP | SCREW M5 L=20             |                        |       |      | 1   |
| 32  | WS0410002KN | SPRING WASHER             |                        |       |      | 1   |
| 33  | 16570707    | SENSOR BRACKET            |                        |       |      | 1   |
| 34  | SM6040802TR | SCREW M4X0.7 L=8          |                        |       |      | 1   |
| 35  | WS0410002KN | SPRING WASHER             |                        |       |      | 1   |
| 36  | WP0430800SC | WASHER M4                 |                        |       |      | 1   |
| 37  | 16570905    | STAND PLATE (1)           |                        |       |      | 1   |
| 38  | SM6041202TP | SCREW M4X0.7 L=12         |                        |       |      | 1   |
| 39  | SM6051202TP | SCREW M5X0.8 L=12         |                        |       |      | 1   |
| 40  | 18219600    | GENEVA HOUSE              |                        |       |      | 1   |
| 41  | SM6051602TP | SCREW M5X0.8 L=16         |                        |       |      | 3   |
| 42  | SB110000400 | BALL BEARING              |                        |       |      | 1   |
| 43  | 16562001    | WORM WHEEL                |                        |       |      | 1   |
| 44  | SM8050602TP | SCREW M5 L=6              |                        |       |      | 2   |
| 45  | 16571804    | BEARING A                 |                        |       |      | 1   |
| 46  | 16573909    | THRUST COLLAR             |                        |       |      | 2   |
| 47  | GBR108560A0 | DC MOTOR ASM.             |                        |       |      | 1   |

INDEX COMPONENTS (2)

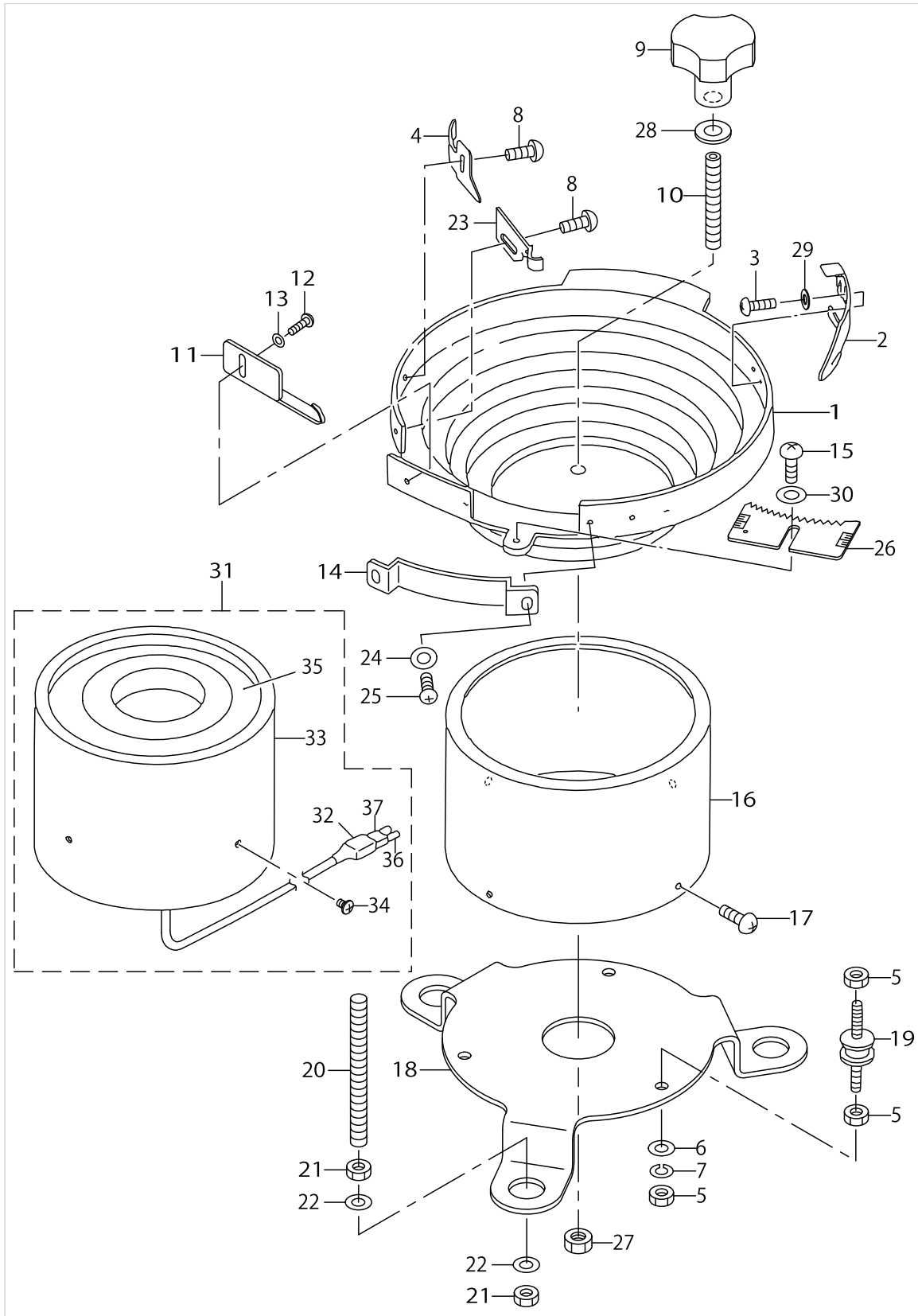


INDEX COMPONENTS (2)

| No. | Parts No.   | Parts name                  | Remarks                 | Level | Cons | Qty |
|-----|-------------|-----------------------------|-------------------------|-------|------|-----|
| 48  | 16570509    | THRUST COLLAR               |                         |       |      | 1   |
| 49  | 16571408    | NEEDLE BEARING              |                         |       |      | 1   |
| 50  | 18212902    | SENSOR COVER                |                         |       |      | 1   |
| 51  | 16570608    | SHAFT                       |                         |       |      | 1   |
| 52  | SM8040402TP | SCREW M4X0.7 L=4            |                         |       |      | 2   |
| 53  | 18201103    | HOLDING PLATE (SMALL)       | OPTIONAL PARTS          |       |      | 1   |
| 54  | SM6051202TP | SCREW M5X0.8 L=12           |                         |       |      | 1   |
| 55  | SM6041002TP | SCREW M4 L=10               |                         |       |      | 1   |
| 56  | B2107816000 | WASHER                      |                         |       |      | 1   |
| 57  | SM6030802TP | SCREW M3X0.5 L=8            |                         |       |      | 4   |
| 58  | WS0310002KN | SPRING WASHER M3            |                         |       |      | 4   |
| 59  | WP0320500SC | WASHER M3                   |                         |       |      | 4   |
| 60  | 16568651    | FEED PLATE 22B ASM.         | FOR MEDIUM-SIZED BUTTON |       |      | 1   |
| 61  | 16568602    | FEED PLATE 22B              | FOR MEDIUM-SIZED BUTTON | *     |      | 1   |
| 62  | 16572703    | METAL                       |                         | *     |      | 1   |
| 63  | 18200956    | FEED PLATE CIRCLE 13.5 ASM. | OPTIONAL PARTS          |       |      | 1   |
| 64  | 18200907    | FEED PLATE 12.5             | OPTIONAL PARTS          | *     |      | 1   |
| 65  | 16572703    | METAL                       |                         | *     |      | 1   |
| 66  | GBR108450A0 | INDEX STARTING SWITCH ASM.  |                         |       |      | 1   |
| 67  | SM0861201SA | SCREW                       |                         | *     |      | 1   |
| 68  | 16569204    | REST                        |                         |       |      | 1   |
| 69  | SM1041201SC | SCREW M4 L=12               |                         |       |      | 2   |
| 70  | SM1040601SC | SCREW M4X0.7 L=6            |                         |       |      | 1   |
| 71  | 18218008    | SHAFT (2)                   |                         |       |      | 1   |
| 72  | 16571606    | WORM GEAR                   |                         |       |      | 1   |



FEEDER BALL COMPONENTS



FEEDER BALL COMPONENTS

| No. | Parts No.   | Parts name                    | Remarks                                | Level | Cons | Qty |
|-----|-------------|-------------------------------|--|-------|------|-----|
| 1   | 16577009    | FEEDER BOWL                   |  |       |      | 1   |
| 2   | GBR01426000 | GUIDE PLATE                   |  |       |      | 1   |
| 3   | SS4110815SP | SCREW 11/64-40 L=8            |  |       |      | 2   |
| 4   | GBR01441000 | BUTTON STANDING PREVENT PLATE |  |       |      | 1   |
| 5   | NM6060001SC | NUT M6                        |  |       |      | 9   |
| 6   | WP0641600SC | WASHEW 6.4X12.5X1.6           |  |       |      | 3   |
| 7   | WS0610002KN | SPRING WASHER 6.1X12.2X1.5    |  |       |      | 3   |
| 8   | SM4040801SN | SCREW M4 L=8                  |  |       |      | 2   |
| 9   | 18204602    | BOWL FIXING KNOB              |  |       |      | 1   |
| 10  | SM8086012TP | SCREW M8 L=60                 |  |       |      | 1   |
| 11  | 16577504    | SELECTOR PLATE                |  |       |      | 1   |
| 12  | SM4040801SN | SCREW M4 L=8                  |  |       |      | 1   |
| 13  | WP0430800SC | WASHER M4                     |  |       |      | 1   |
| 14  | GBR01428000 | GUIDE PLATE                   |  |       |      | 1   |
| 15  | SM4051001SN | SCREW M5                      |  |       |      | 1   |
| 16  | 16577207    | P/F COVER                     |  |       |      | 1   |
| 17  | SM0040601SC | SCREW M4X0.7 L=6              |  |       |      | 4   |
| 18  | 40014217    | P/F INSTALLING BASE           |  |       |      | 1   |
| 19  | 16579203    | RUBBER VIBRATION INSULATOR    |  |       |      | 3   |
| 20  | 16577306    | MOUNTING BOLT                 |  |       |      | 3   |
| 21  | NM6080001SC | NUT M8X1.25                   |  |       |      | 6   |
| 22  | 16577405    | WASHER                        |  |       |      | 6   |
| 23  | 18202408    | BUTTON GUIDE A                |  |       |      | 1   |
| 24  | WP0320500SC | WASHER M3                     |  |       |      | 2   |
| 25  | SM4030601SN | SCREW M3 X 6                  |  |       |      | 2   |
| 26  | GBR014220A0 | SELECTION PLATE ASM. (SMALL)  |  |       |      | 1   |
| 27  | NM6080001SC | NUT M8X1.25                   |  |       |      | 1   |
| 28  | WP0841601SC | WASHER 8.4X17.4X1.6           |  |       |      | 1   |
| 29  | WP0450801SD | WASHER 4.5X10X0.8             |  |       |      | 2   |
| 30  | WP0531000SC | WASHER 5.3X10X1               |  |       |      | 1   |
| 31  | GBR107910A0 | PARTS FEEDER ALL ASM.         | FOR USE IN JAPAN AND<br>GENERAL EXPORT |       |      | 1   |
| 32  | HK004490020 | CONNECTOR COVER               |  | *     |      | 1   |
| 33  | 16577207    | P/F COVER                     |  | *     |      | 1   |
| 34  | SM0040601SC | SCREW M4X0.7 L=6              |  | *     |      | 4   |
| 35  | GBR10791000 | PARTS FEEDER                  |  | *     |      | 1   |
| 36  | HK004440020 | 2-POLE RECEPTACLE             |  | *     |      | 1   |
| 37  | D6042555B00 | PIN TERMINAL, FEMALE          |  | *     |      | 2   |

TABLE & COVER COMPONENTS

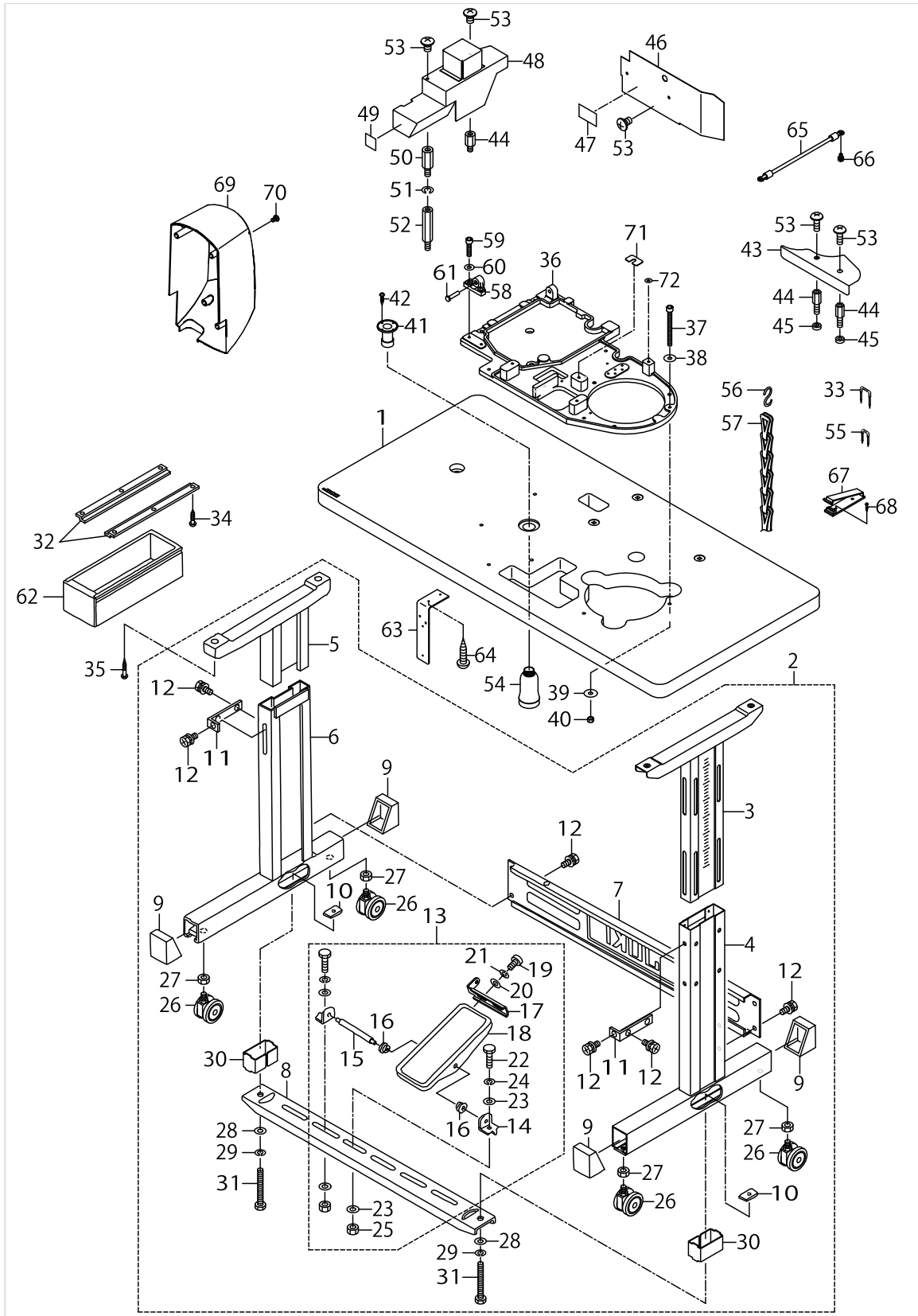


TABLE & COVER COMPONENTS

| No. | Parts No.   | Parts name                 | Remarks          | Level | Cons | Qty |
|-----|-------------|----------------------------|------------------|-------|------|-----|
| 1   | 40014240    | TABLE                      |                  |       | ☆    | 1   |
| 2   | 14191951    | T-STAND COMPL.             | OPTIONAL PARTS   |       |      | 1   |
| 3   | 14118152    | UPPER STAND ASM.,RIGHT     |                  | *     |      | 1   |
| 4   | 14118251    | STAND ASM.,RIGHT           |                  | *     |      | 1   |
| 5   | B8101210AAB | UPPER STAND ASM.           |                  | *     |      | 1   |
| 6   | B8105210AAA | STAND ASM.                 |                  | *     |      | 1   |
| 7   | 11158300    | STAND SIDE SUPPORT         |                  | *     |      | 1   |
| 8   | 11158409    | STAND SIDE SUPPORT         |                  | *     |      | 1   |
| 9   | 11158607    | RUBBER CAP                 |                  | *     |      | 4   |
| 10  | 17007402    | NUT                        |                  | *     |      | 2   |
| 11  | 11158516    | UPPER STAND PLATE          |                  | *     |      | 2   |
| 12  | SL9082091SE | WASHER HEXAGONAL BOLT      |                  | *     |      | 10  |
| 13  | 13817754    | Z-STAND PEDAL ASM.         |                  | *     |      | 1   |
| 14  | 11159001    | PEDAL SHAFT BRACKET        |                  | *     |      | 2   |
| 15  | B8153771000 | PEDAL CONNECTING ROD       |                  | *     |      | 1   |
| 16  | D8113555B00 | PEDAL BUSHING              |                  | *     |      | 2   |
| 17  | GPF06080000 | PEDAL ADJUSTING PLATE      |                  | *     |      | 1   |
| 18  | GPF060600A0 | PEDAL ASM.                 |                  | *     |      | 1   |
| 19  | SM9061203SE | SCREW M6 L=12              |                  | *     |      | 2   |
| 20  | WP0671016SE | WASHER 6.7X13X1            |                  | *     |      | 2   |
| 21  | WS0621210KR | SPRING WASHER 6.2X11.4X1.2 |                  | *     |      | 2   |
| 22  | SM9082023SE | SCREW M8 L=20              |                  | *     |      | 2   |
| 23  | WP0871602SE | WASHER 8.7X18X1.6          |                  | *     |      | 4   |
| 24  | WS0861410KR | SPRING WASHER 8.6X15X1.4   |                  | *     |      | 2   |
| 25  | NM6080721SE | NUT M8                     |                  | *     |      | 2   |
| 26  | B8150210000 | CASTER                     |                  | *     |      | 4   |
| 27  | NM6120003SE | NUT M12                    |                  | *     |      | 4   |
| 28  | WP0871602SE | WASHER 8.7X18X1.6          |                  | *     |      | 2   |
| 29  | WS0861410KR | SPRING WASHER 8.6X15X1.4   |                  | *     |      | 2   |
| 30  | 11159506    | STRUT AUXILIARY PLATE      |                  | *     |      | 2   |
| 31  | SM9086523SE | HEXAGONAL BOLT             |                  | *     |      | 2   |
| 32  | 11155207    | DRAWER SUPPORT             | ACCESSORIE PARTS |       |      | 2   |
| 33  | D8204555D00 | DRAWER STOPPER             |                  |       |      | 3   |
| 34  | SK3311601SE | WOOD SCREW D=3.1 L=16      | ACCESSORIE PARTS |       |      | 6   |
| 35  | SK3483201SE | WOOD SCREW D=4.8 L=32      |                  |       |      | 4   |
| 36  | 40014216    | BASE                       |                  |       |      | 1   |
| 37  | SM6066552TP | BOLT                       |                  |       |      | 6   |
| 38  | WP0612056SD | WASHER 6.1X18.5X2          |                  |       |      | 6   |
| 39  | WP0651646SC | WASHER                     |                  |       |      | 6   |
| 40  | NM6060001SC | NUT M6                     |                  |       |      | 6   |
| 41  | B8202205000 | OIL MANAGEMENT             |                  |       |      | 1   |
| 42  | SK3311601SE | WOOD SCREW D=3.1 L=16      |                  |       |      | 4   |
| 43  | 18222604    | FRONT COVER A              |                  |       |      | 1   |
| 44  | HX003390000 | STUD                       |                  |       |      | 3   |
| 45  | B3052816000 | WASHER                     |                  |       |      | 2   |
| 46  | 40014221    | FRONT COVER B              |                  |       |      | 1   |

TABLE & COVER COMPONENTS

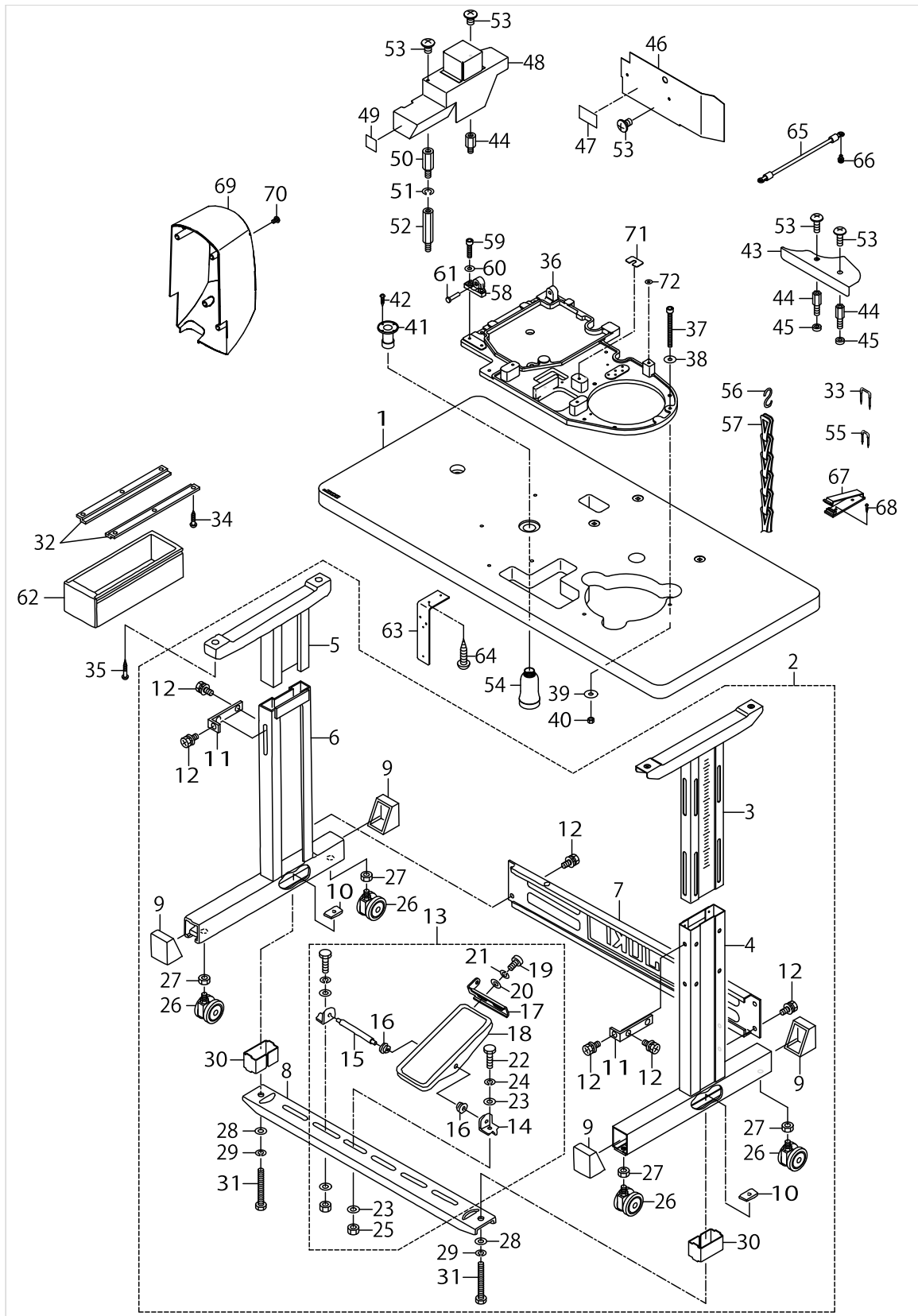
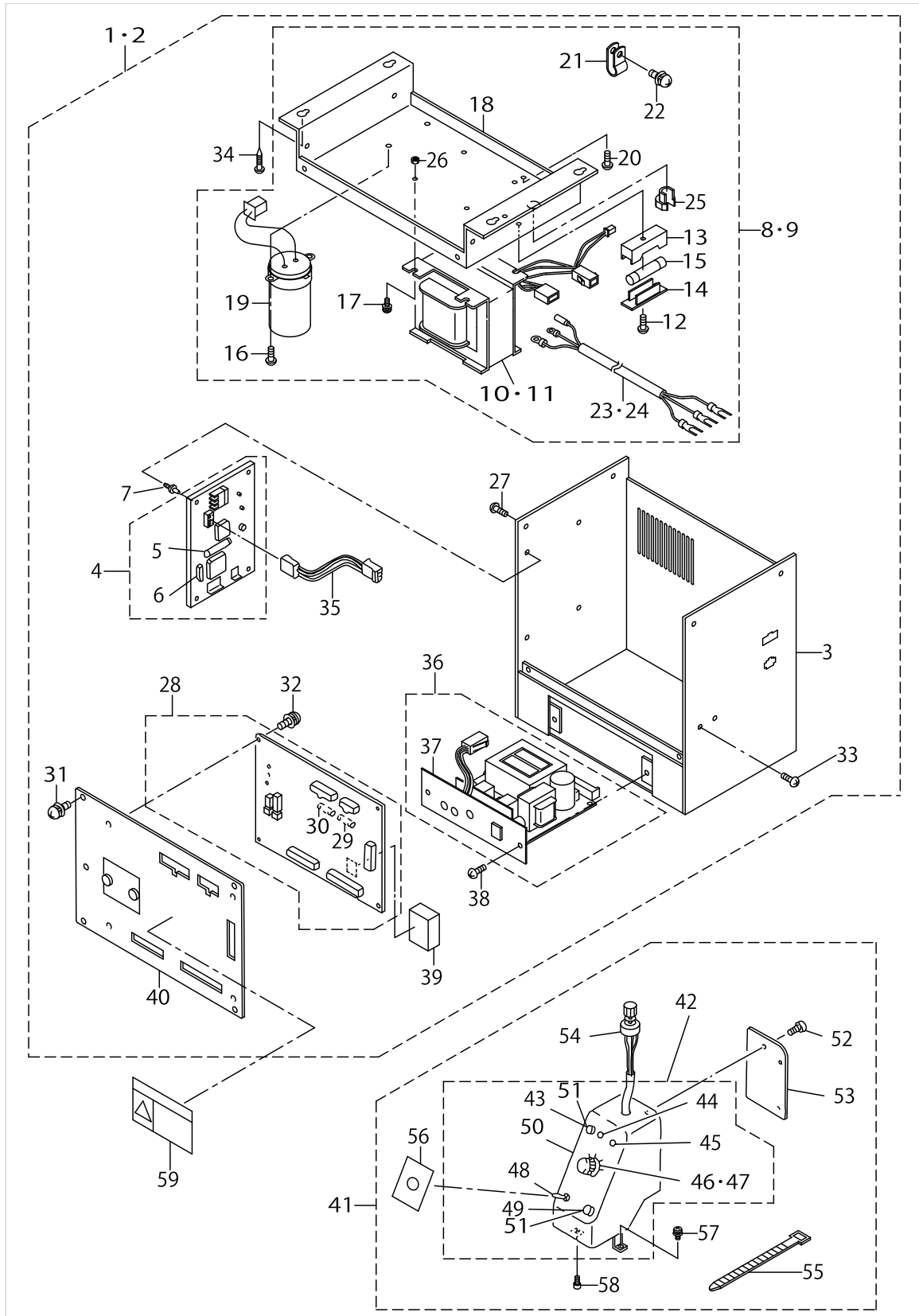


TABLE & COVER COMPONENTS

| No. | Parts No.   | Parts name                | Remarks                                | Level | Cons | Qty |
|-----|-------------|---------------------------|--|-------|------|-----|
| 47  | CM3002002B1 | SAFETY LABEL 13           | FOR USE IN JAPAN AND<br>GENERAL EXPORT |       |      | 1   |
| 48  | 40014220    | HEAD COVER                |  |       |      | 1   |
| 49  | 16586505    | DANGER PREVENTION STICKER |  |       |      | 1   |
| 50  | 18228106    | SPACER B                  |  |       |      | 1   |
| 51  | WS0410002KN | SPRING WASHER             |  |       |      | 1   |
| 52  | HX00339000B | BOARD PARTS               |  |       |      | 1   |
| 53  | SM0040601SA | SCREW                     |  |       |      | 6   |
| 54  | B9121012000 | OIL CAN                   |  |       |      | 1   |
| 55  | MAO11532000 | CORD STAPLE               |  |       |      | 11  |
| 56  | 13160304    | S SHAPED HOOK             | ACCESSORIE PARTS                       |       |      | 2   |
| 57  | 26037903    | CHAIN                     | ACCESSORIE PARTS                       |       |      | 1   |
| 58  | GBR25006000 | HEAD FIXING HINGE         |  |       |      | 1   |
| 59  | SM6062502TP | SCREW M6 L=25             |  |       |      | 2   |
| 60  | WP0611626SP | WASHER 15X6X1.6           |  |       |      | 2   |
| 61  | D2431555B00 | THREAD TRIMMER SHAFT      |  |       |      | 2   |
| 62  | 11155108    | DRAWER                    | ACCESSORIE PARTS                       |       |      | 1   |
| 63  | B5542205000 | TERMINAL BRACKET          |  |       |      | 1   |
| 64  | SK3311601SE | WOOD SCREW D=3.1 L=16     |  |       |      | 2   |
| 65  | GBR308650A0 | BASE EARTH CORD ASM.      |  |       |      | 1   |
| 66  | SL4041091SC | SCREW M4 L=10             |  |       |      | 1   |
| 67  | M964051000A | CABLE CLIP                |  |       |      | 1   |
| 68  | SK3382001SE | SCREW D=3.8 L=20          |  |       |      | 2   |
| 69  | 40006475    | MOTOR COVER               |  |       |      | 1   |
| 70  | SM5040855SN | SCREW                     |  |       |      | 4   |
| 71  | GBR25010000 | BODY FRAME SPACER A       |  |       |      | 3   |
| 72  | WP0621036SP | WASHER                    |  |       |      | 1   |

BR CONTROL BOX COMPONENTS (FOR USE IN JAPAN AND GENERAL EXPORT)

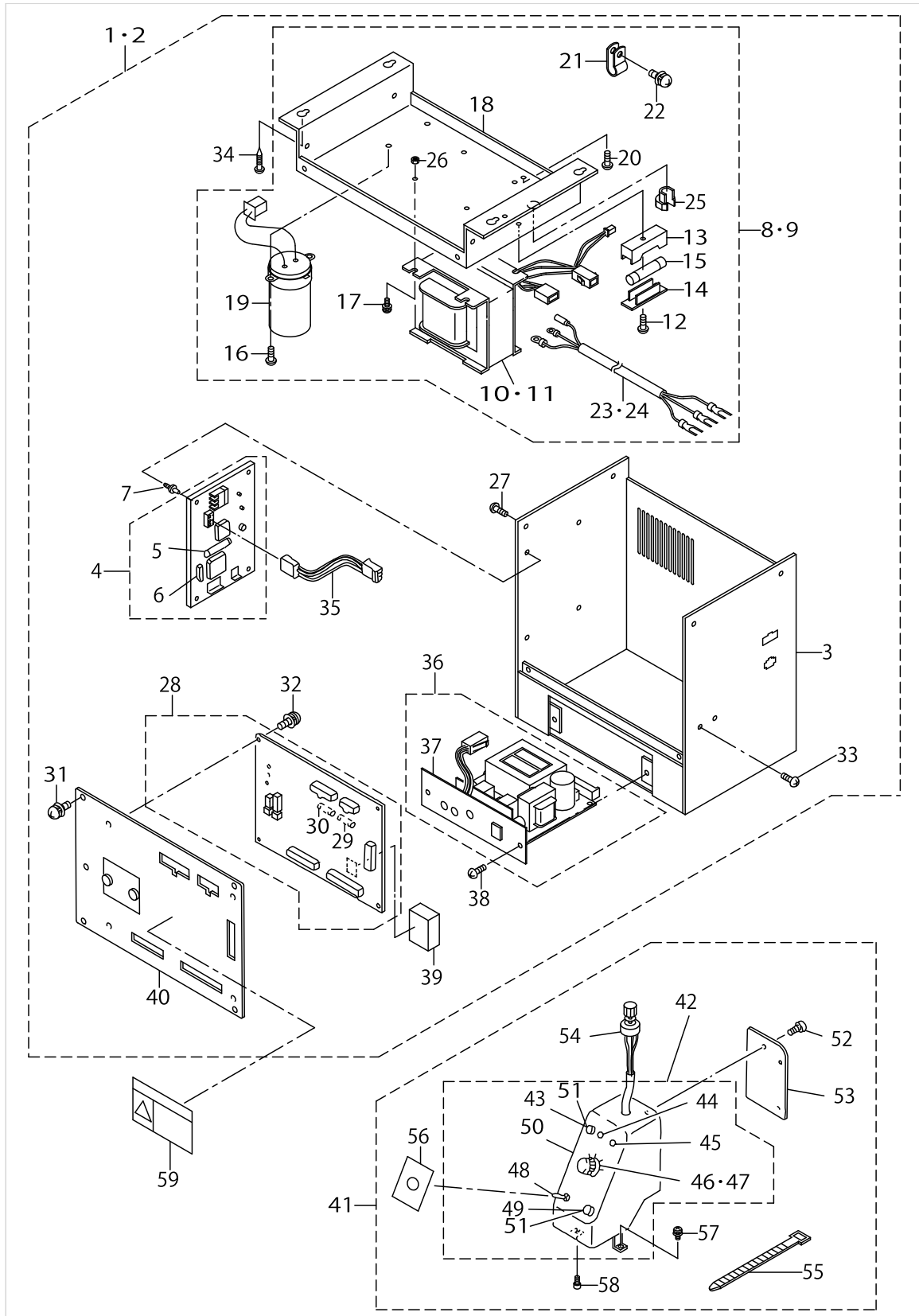


BR CONTROL BOX COMPONENTS (FOR USE IN JAPAN AND GENERAL EXPORT)

| No. | Parts No.   | Parts name                     | Remarks       | Level | Cons | Qty |
|-----|-------------|--------------------------------|---------------|-------|------|-----|
| 1   | 40014506    | CONTROL BOX B ASM.             | FOR 220V,240V |       |      | 1   |
| 2   | 40014495    | CONTROL BOX A ASM.             | FOR 100V,200V |       |      | 1   |
| 3   | GBR107240A0 | CONTROL BOX FRAME BODY ASM.    |               | *     |      | 1   |
| 4   | GBR107610A0 | POWER BOARD                    |               | *     |      | 1   |
| 5   | E9613601000 | FUSE 2A                        |               | *     |      | 1   |
| 6   | HA002980000 | BREAKER 5A                     |               | *     |      | 1   |
| 7   | HX00228000A | SPACER                         |               | *     |      | 4   |
| 8   | GBR107460AB | TRANS BASE B COMPLE.           | FOR 220V,240V | *     |      | 1   |
| 9   | GBR107460AA | TRANS BASE A COMPLE.           | FOR 100V,200V | *     |      | 1   |
| 10  | GBR107480AA | TRANS A ASM.                   | FOR 100V,200V | *     |      | 1   |
| 11  | GBR107480AB | TRANS B ASM.                   | FOR 220V,240V | *     |      | 1   |
| 12  | SM4041001SC | SCREW M4X0.7 L=10              |               | *     |      | 1   |
| 13  | HF005111000 | FUSE HOLDER                    |               | *     |      | 1   |
| 14  | HF00511100B | FUSE HOLDER COVER              |               | *     |      | 1   |
| 15  | E9613601000 | FUSE 2A                        |               | *     |      | 1   |
| 16  | SL4030681SC | SCREW M3 L=6                   |               | *     |      | 2   |
| 17  | SL4041291SC | SCREW M4 L=12                  |               | *     |      | 4   |
| 18  | GBR10747000 | TRANSFORMER BASE               |               | *     |      | 1   |
| 19  | GBR107430A0 | CONDENSER ASM.                 |               | *     |      | 1   |
| 20  | SL4040891SC | SCREW M4 L=8                   |               | *     |      | 2   |
| 21  | HX00150000B | CABLE CLIP                     |               | *     |      | 1   |
| 22  | SL4030881SC | SCREW M3X8                     |               | *     |      | 1   |
| 23  | GBR107450A0 | AC INPUT POWER CABLE CORD ASM. | FOR 100V,200V | *     |      | 1   |
| 24  | GBR107440A0 | AC INPUT POWER CABLE CORD ASM. | FOR 220V,240V | *     |      | 1   |
| 25  | HX000980000 | CORD BUSH                      |               | *     |      | 1   |
| 26  | NM6040001SF | NUT M4                         |               | *     |      | 4   |
| 27  | SL4040891SC | SCREW M4 L=8                   |               | *     |      | 4   |
| 28  | GBR107510A0 | CPU BOARD ASM.                 |               | *     |      | 1   |
| 29  | HF0084020P0 | FUSE 2A                        |               | *     |      | 1   |
| 30  | HF0084063P0 | FUSE                           |               | *     |      | 1   |
| 31  | SL4040891SC | SCREW M4 L=8                   |               | *     |      | 4   |
| 32  | SL4030681SC | SCREW M3 L=6                   |               | *     |      | 4   |
| 33  | SL4040891SC | SCREW M4 L=8                   |               | *     |      | 2   |
| 34  | SK3452501SE | SCREW D=4.5 L=25               |               | *     |      | 4   |
| 35  | GBR107720A0 | CPU BOARD POWER CORD ASM.      |               | *     |      | 1   |
| 36  | GBR107740A0 | P/F CONTROLLER ASM.            |               | *     |      | 1   |
| 37  | GBR10775000 | P/F PANEL                      |               | *     |      | 1   |
| 38  | SM5040601SC | SCREW M4X0.7 L=6               |               | *     |      | 2   |
| 39  | HL008730140 | IC                             |               | *     |      | 1   |
| 40  | GBR207340A0 | CONTROL BOX FRAME COVER ASM.   |               | *     |      | 1   |
| 41  | GBR30784AA0 | OPERATION PANEL WHOLE ASM. (A) |               |       |      | 1   |
| 42  | GBR107850A0 | PANEL ASM.                     |               | *     |      | 1   |
| 43  | HA00191001B | OPERATION BUTTON               |               | *     |      | 1   |
| 44  | HG00291000A | LED (GREEN)                    |               | *     |      | 1   |
| 45  | HG002910000 | LAMP                           |               | *     |      | 1   |
| 46  | HA002900000 | DIP SWITCH                     |               | *     |      | 1   |
| 47  | HX00114000A | KNOB                           |               | *     |      | 1   |



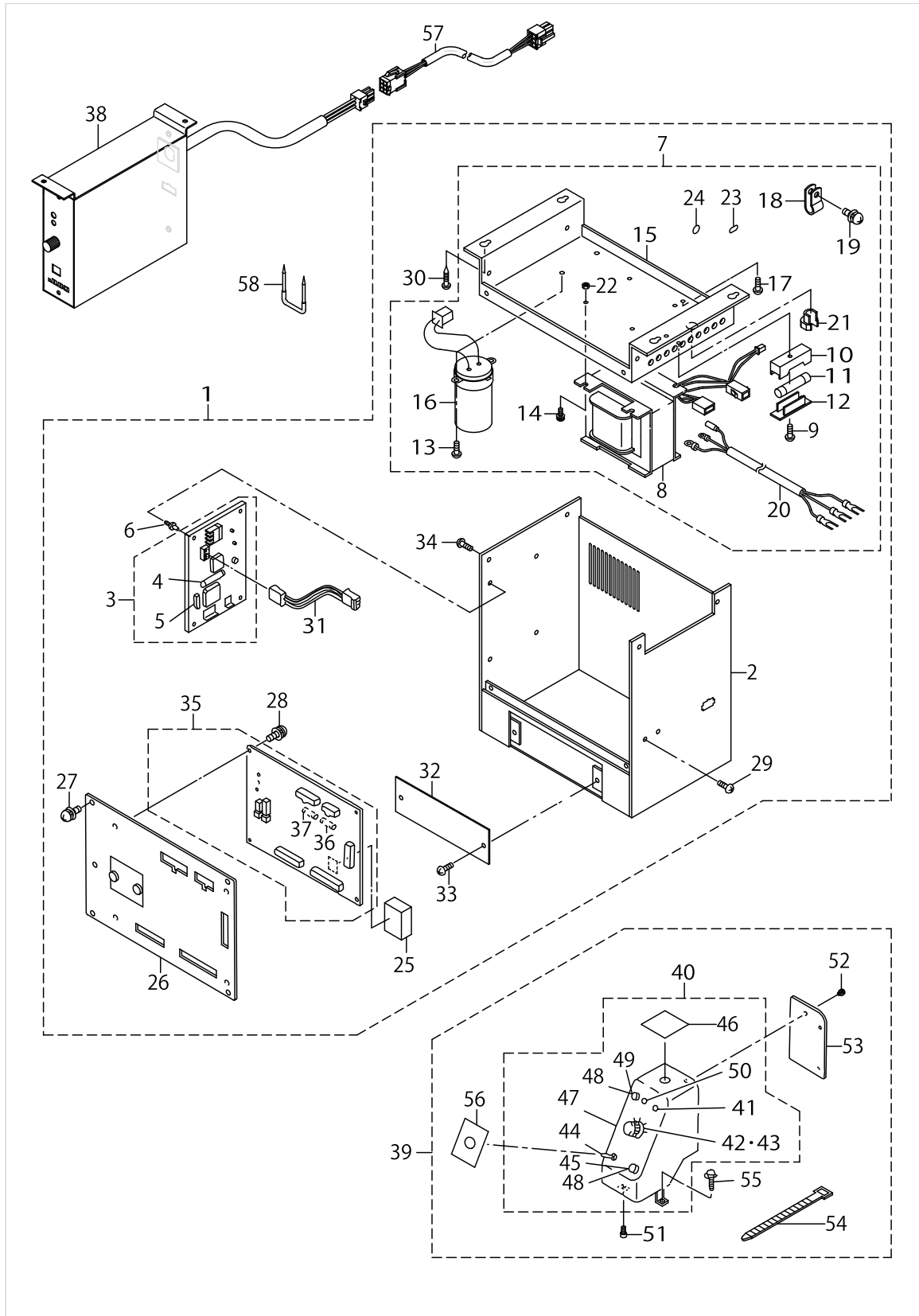
BR CONTROL BOX COMPONENTS (FOR USE IN JAPAN AND GENERAL EXPORT)



## BR CONTROL BOX COMPONENTS (FOR USE IN JAPAN AND GENERAL EXPORT)

| No. | Parts No.   | Parts name             | Remarks          | Level | Cons | Qty |
|-----|-------------|------------------------|------------------|-------|------|-----|
| 48  | MAO14506000 | SWITCH                 |                  | *     |      | 1   |
| 49  | HA00191001C | SWITCH KNOB,BLACK      |                  | *     |      | 1   |
| 50  | GBR10786000 | PANEL BOX              |                  | *     |      | 1   |
| 51  | HA001910000 | PUSH SWITCH 3 TERMINAL |                  | *     |      | 2   |
| 52  | SL4030681SC | SCREW M3 L=6           |                  | *     |      | 3   |
| 53  | GBR10782000 | PANEL BOX BACK COVER   |                  | *     |      | 1   |
| 54  | GBR107870A0 | VOLUME ASM.            |                  | *     |      | 1   |
| 55  | EA9500B0100 | CABLE BAND             |                  | *     |      | 1   |
| 56  | GBR30788000 | SHEEL                  |                  | *     |      | 1   |
| 57  | SL4041091SC | SCREW M4 L=10          |                  | *     |      | 1   |
| 58  | SM6040802TN | SCREW                  |                  | *     |      | 1   |
| 59  | CM300100101 | DANGER LABEL (SMALL)   | FOR USE IN JAPAN |       |      | 1   |

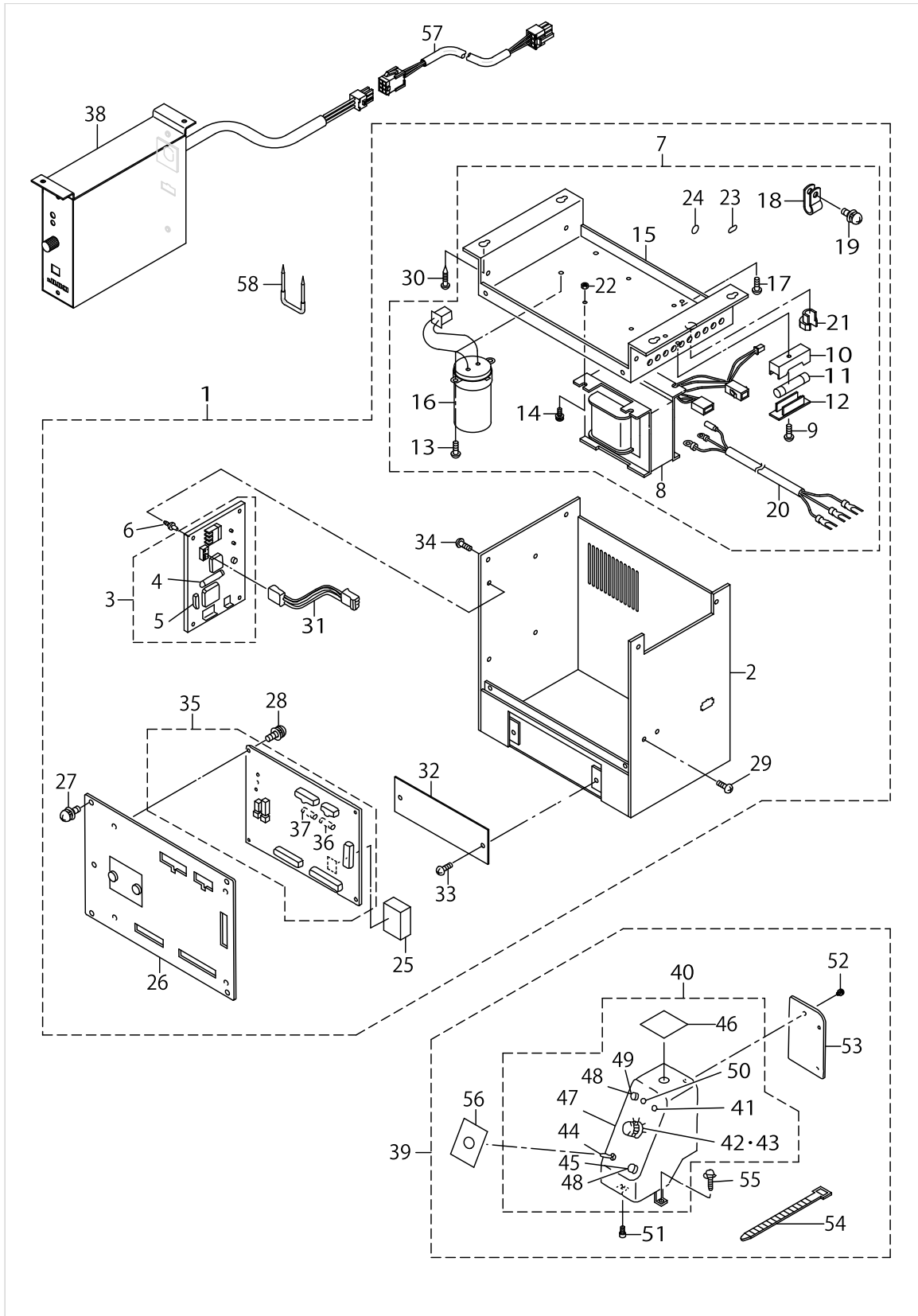
BR CONTROL BOX COMPONENTS (FOR EUROPE)



## BR CONTROL BOX COMPONENTS (FOR EUROPE)

| No. | Parts No.   | Parts name                     | Remarks | Level | Cons | Qty |
|-----|-------------|--------------------------------|---------|-------|------|-----|
| 1   | 40014526    | CONTROL BOX C ASM.             |         |       |      | 1   |
| 2   | GBR107240AC | CONTROL BOX FRAME BODY C ASM.  |         | *     |      | 1   |
| 3   | GBR107610A0 | POWER BOARD                    |         | *     |      | 1   |
| 4   | E9613601000 | FUSE 2A                        |         | *     |      | 1   |
| 5   | HA002980000 | BREAKER 5A                     |         | *     |      | 1   |
| 6   | HX00228000A | SPACER                         |         | *     |      | 4   |
| 7   | GBR107460AC | TRANS BASE C COMPLE.           |         | *     |      | 1   |
| 8   | GBR107480AC | TRANS C ASM.                   |         | *     |      | 1   |
| 9   | SM4041001SC | SCREW M4X0.7 L=10              |         | *     |      | 1   |
| 10  | HF005111000 | FUSE HOLDER                    |         | *     |      | 1   |
| 11  | E9613601000 | FUSE 2A                        |         | *     |      | 1   |
| 12  | HF00511100B | FUSE HOLDER COVER              |         | *     |      | 1   |
| 13  | SL4030681SC | SCREW M3 L=6                   |         | *     |      | 2   |
| 14  | SL4041291SC | SCREW M4 L=12                  |         | *     |      | 4   |
| 15  | GBR10747000 | TRANSFORMER BASE               |         | *     |      | 1   |
| 16  | GBR107430A0 | CONDENSER ASM.                 |         | *     |      | 1   |
| 17  | SL4040891SC | SCREW M4 L=8                   |         | *     |      | 3   |
| 18  | HX00150000B | CABLE CLIP                     |         | *     |      | 1   |
| 19  | SL4030881SC | SCREW M3X8                     |         | *     |      | 1   |
| 20  | GBR107440A0 | AC INPUT POWER CABLE CORD ASM. |         | *     |      | 1   |
| 21  | HX000980000 | CORD BUSH                      |         | *     |      | 1   |
| 22  | NM6040001SF | NUT M4                         |         | *     |      | 4   |
| 23  | CM200100001 | PE MARK LABEL                  |         | *     |      | 1   |
| 24  | 10004109    | GROUND MARK                    |         | *     |      | 1   |
| 25  | HL008730143 | IC                             |         | *     |      | 1   |
| 26  | GBR207340A0 | CONTROL BOX FRAME COVER ASM.   |         | *     |      | 1   |
| 27  | SL4040891SC | SCREW M4 L=8                   |         | *     |      | 4   |
| 28  | SL4030681SC | SCREW M3 L=6                   |         | *     |      | 4   |
| 29  | SL4040891SC | SCREW M4 L=8                   |         | *     |      | 2   |
| 30  | SK3452501SE | SCREW D=4.5 L=25               |         | *     |      | 4   |
| 31  | GBR107720A0 | CPU BOARD POWER CORD ASM.      |         | *     |      | 1   |
| 32  | GBR10726000 | BLIND PLATE                    |         | *     |      | 1   |
| 33  | SM5040601SC | SCREW M4X0.7 L=6               |         | *     |      | 2   |
| 34  | SL4040891SC | SCREW M4 L=8                   |         | *     |      | 4   |
| 35  | GBR107510A0 | CPU BOARD ASM.                 |         | *     |      | 1   |
| 36  | HF0084020P0 | FUSE 2A                        |         | *     |      | 1   |
| 37  | HF0084063P0 | FUSE                           |         | *     |      | 1   |
| 38  | GBR108010A0 | P/F CONTROLLER ASM.            |         |       |      | 1   |
| 39  | 40016644    | OPERATION PANEL WHOLE ASM. C   |         |       |      | 1   |
| 40  | GBR107850AC | PANEL C ASM.                   |         | *     |      | 1   |
| 41  | HG002910000 | LAMP                           |         | *     |      | 1   |
| 42  | HA002900000 | DIP SWITCH                     |         | *     |      | 1   |
| 43  | HX00114000A | KNOB                           |         | *     |      | 1   |
| 44  | MAO14506000 | SWITCH                         |         | *     |      | 1   |
| 45  | HA00191001C | SWITCH KNOB,BLACK              |         | *     |      | 1   |
| 46  | GBR10728000 | BLANK STICKER B                |         | *     |      | 1   |
| 47  | GBR10786000 | PANEL BOX                      |         | *     |      | 1   |

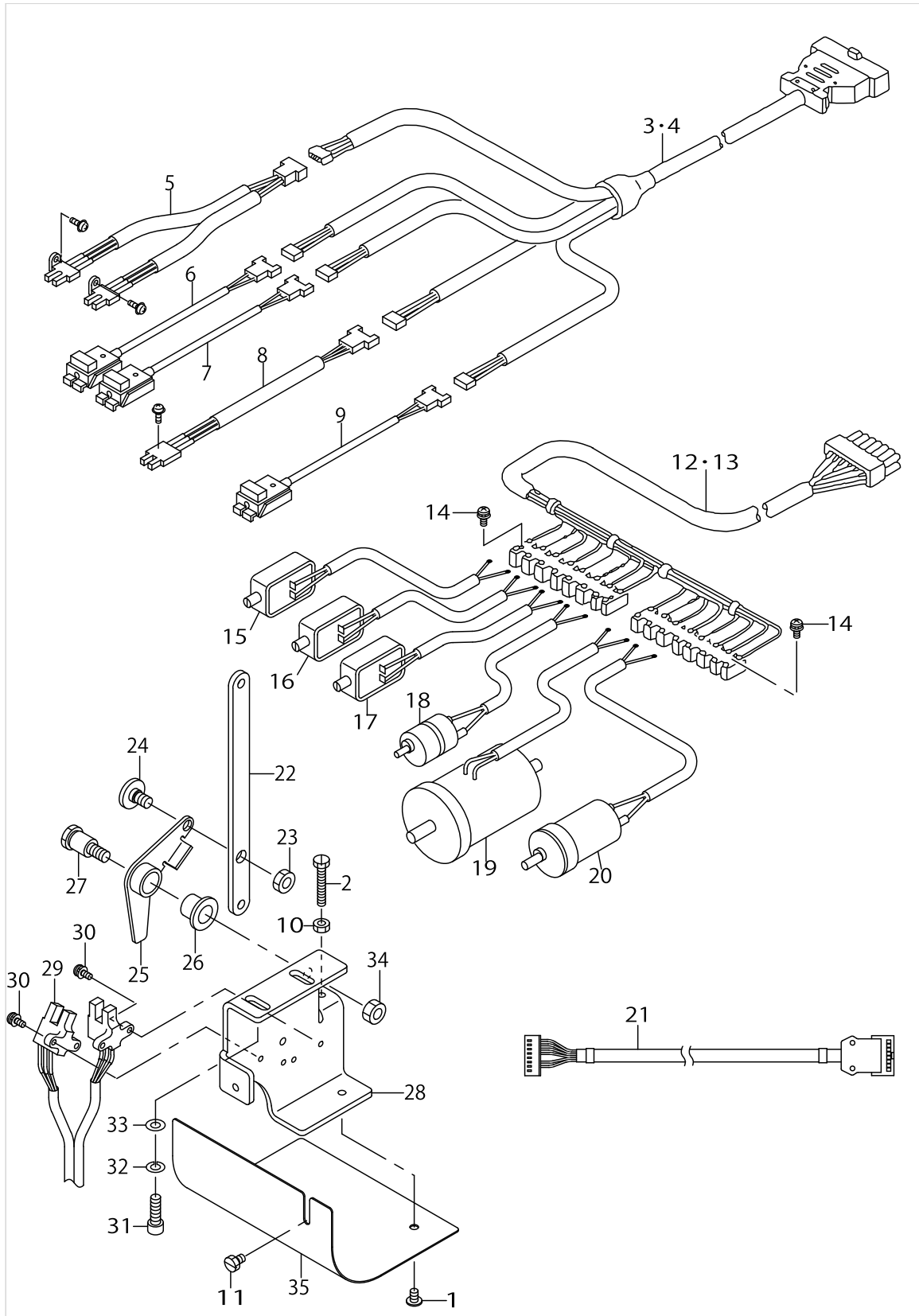
BR CONTROL BOX COMPONENTS (FOR EUROPE)



BR CONTROL BOX COMPONENTS (FOR EUROPE)

| No. | Parts No.   | Parts name             | Remarks | Level | Cons | Qty |
|-----|-------------|------------------------|---------|-------|------|-----|
| 48  | HA001910000 | PUSH SWITCH 3 TERMINAL |         | *     |      | 2   |
| 49  | HA00191001B | OPERATION BUTTON       |         | *     |      | 1   |
| 50  | HG00291000A | LED (GREEN)            |         | *     |      | 1   |
| 51  | SM6040802TN | SCREW                  |         | *     |      | 1   |
| 52  | SL4030681SC | SCREW M3 L=6           |         | *     |      | 3   |
| 53  | GBR10782000 | PANEL BOX BACK COVER   |         | *     |      | 1   |
| 54  | EA9500B0100 | CABLE BAND             |         | *     |      | 1   |
| 55  | SL4041091SC | SCREW M4 L=10          |         | *     |      | 1   |
| 56  | GBR30788000 | SHEEL                  |         | *     |      | 1   |
| 57  | GBR250810A0 | CABLE ASM.             |         |       |      | 1   |
| 58  | MAO11532000 | CORD STAPLE            |         |       |      | 4   |

BR POWER SUPPLY COMPONENTS

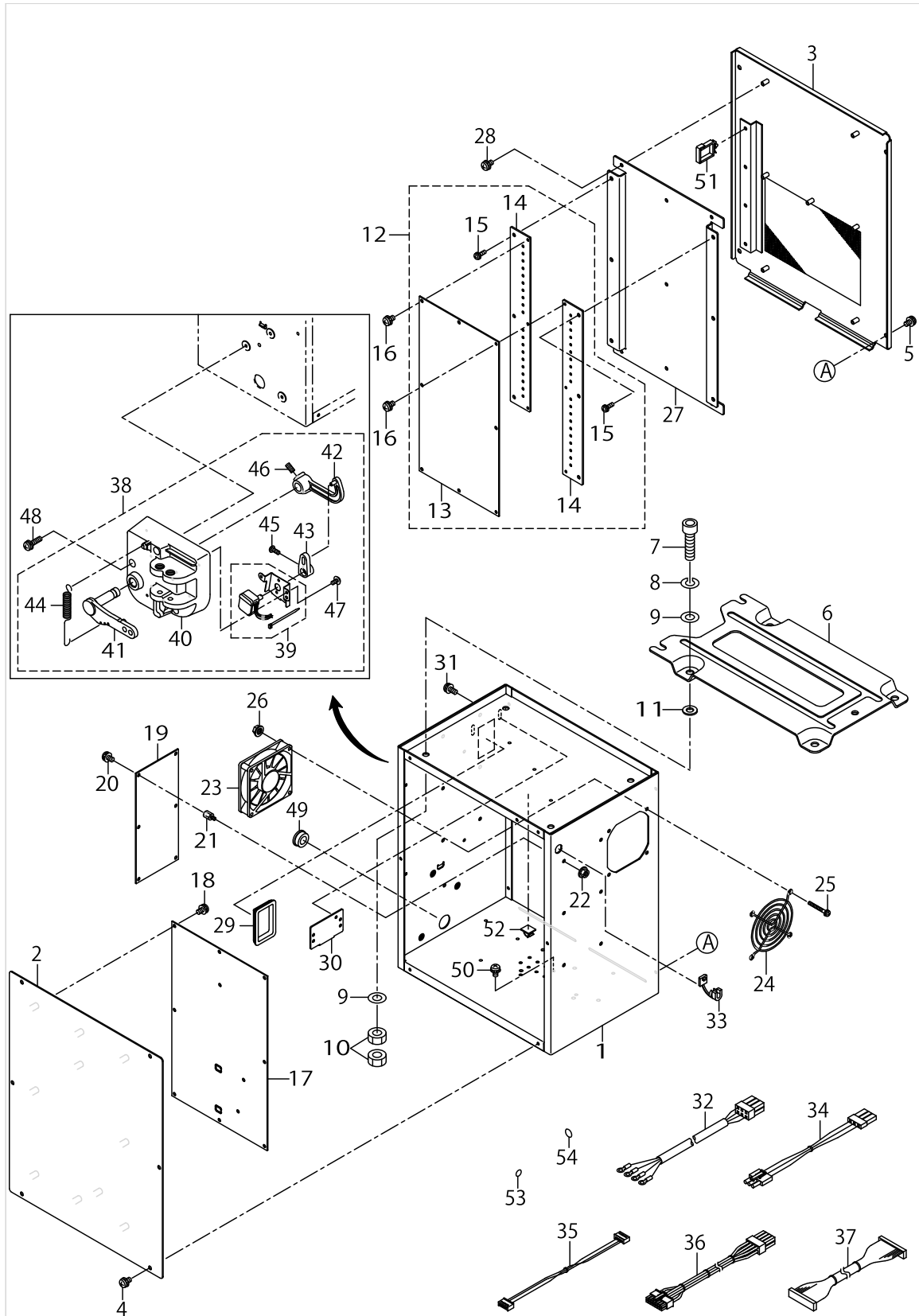


BR POWER SUPPLY COMPONENTS

| No. | Parts No.   | Parts name                            | Remarks                                | Level | Cons | Qty |
|-----|-------------|---------------------------------------|--|-------|------|-----|
| 1   | SM0040601SC | SCREW M4X0.7 L=6                      |  |       |      | 1   |
| 2   | SM9042510SC | SCREW M4X0.7 L=25                     |  |       |      | 1   |
| 3   | GBR108460A0 | SENSOR CONNECTING CABLE ASM.          | FOR USE IN JAPAN AND<br>GENERAL EXPORT |       |      | 1   |
| 4   | GBR108460AC | SENSOR CONNECTING CABLE ASM.          | FOR EUROPE                             |       |      | 1   |
| 5   | GBR108420A0 | START SWITCH ASM.                     |  |       |      | 1   |
| 6   | GBR108430A0 | RUB COMPLETION SWITCH ASM.            |  |       |      | 1   |
| 7   | GBR108440A0 | BUTTON SENSOR SWITCH ASM.             |  |       |      | 1   |
| 8   | GBR108470A0 | TURNING ARM HOME POSITION SENSOR ASM. |  |       |      | 1   |
| 9   | GBR108450A0 | INDEX STARTING SWITCH ASM.            |  |       |      | 1   |
| 10  | NM6040001SC | NUT M4                                |  |       |      | 1   |
| 11  | SM9040600SP | HEAXGON BOLT                          |  |       |      | 1   |
| 12  | GBR108580A0 | STARTING MAGNET CABLE ASM.            | FOR USE IN JAPAN AND<br>GENERAL EXPORT |       |      | 1   |
| 13  | GBR108580AC | STARTING MAGNET CABLE ASM.            | FOR EUROPE                             |       |      | 1   |
| 14  | SL4030881SC | SCREW M3X8                            |  |       |      | 2   |
| 15  | GBR10852000 | MAGNET                                |  |       |      | 1   |
| 16  | GBR10853000 | MAGNET                                |  |       |      | 1   |
| 17  | GBR10854000 | MAGNET                                |  |       |      | 1   |
| 18  | GBR108550A0 | DC MOTOR ASM.                         |  |       |      | 1   |
| 19  | GBR108590A0 | DC MOTOR ASM.                         |  |       |      | 1   |
| 20  | GBR108560A0 | DC MOTOR ASM.                         |  |       |      | 1   |
| 21  | 40012037    | LKA-BR RELAY CABLE ASM.               |  |       |      | 1   |
| 22  | 40014219    | SWITCH LINK                           |  |       |      | 1   |
| 23  | NS6150430SP | NUT 15/64-28                          |  |       |      | 1   |
| 24  | SD0700332SP | HINGE SCREW D=7 H=3.5                 |  |       |      | 1   |
| 25  | 18219907    | TWO-STEP SWITCH LEVER                 |  |       |      | 1   |
| 26  | 16583403    | METAL                                 |  |       |      | 1   |
| 27  | 16582504    | SCREW                                 |  |       |      | 1   |
| 28  | 16582603    | SWITCH BRACKET                        |  |       |      | 1   |
| 29  | GBR108420A0 | START SWITCH ASM.                     |  |       |      | 1   |
| 30  | SL4030881SC | SCREW M3X8                            |  |       |      | 4   |
| 31  | SM6051602TP | SCREW M5X0.8 L=16                     |  |       |      | 2   |
| 32  | WS0510002KN | SPRING WASHER                         |  |       |      | 2   |
| 33  | WP0531000SC | WASHER 5.3X10X1                       |  |       |      | 2   |
| 34  | NM6060001SC | NUT M6                                |  |       |      | 1   |
| 35  | 16582702    | SWITCH COVER                          |  |       |      | 1   |



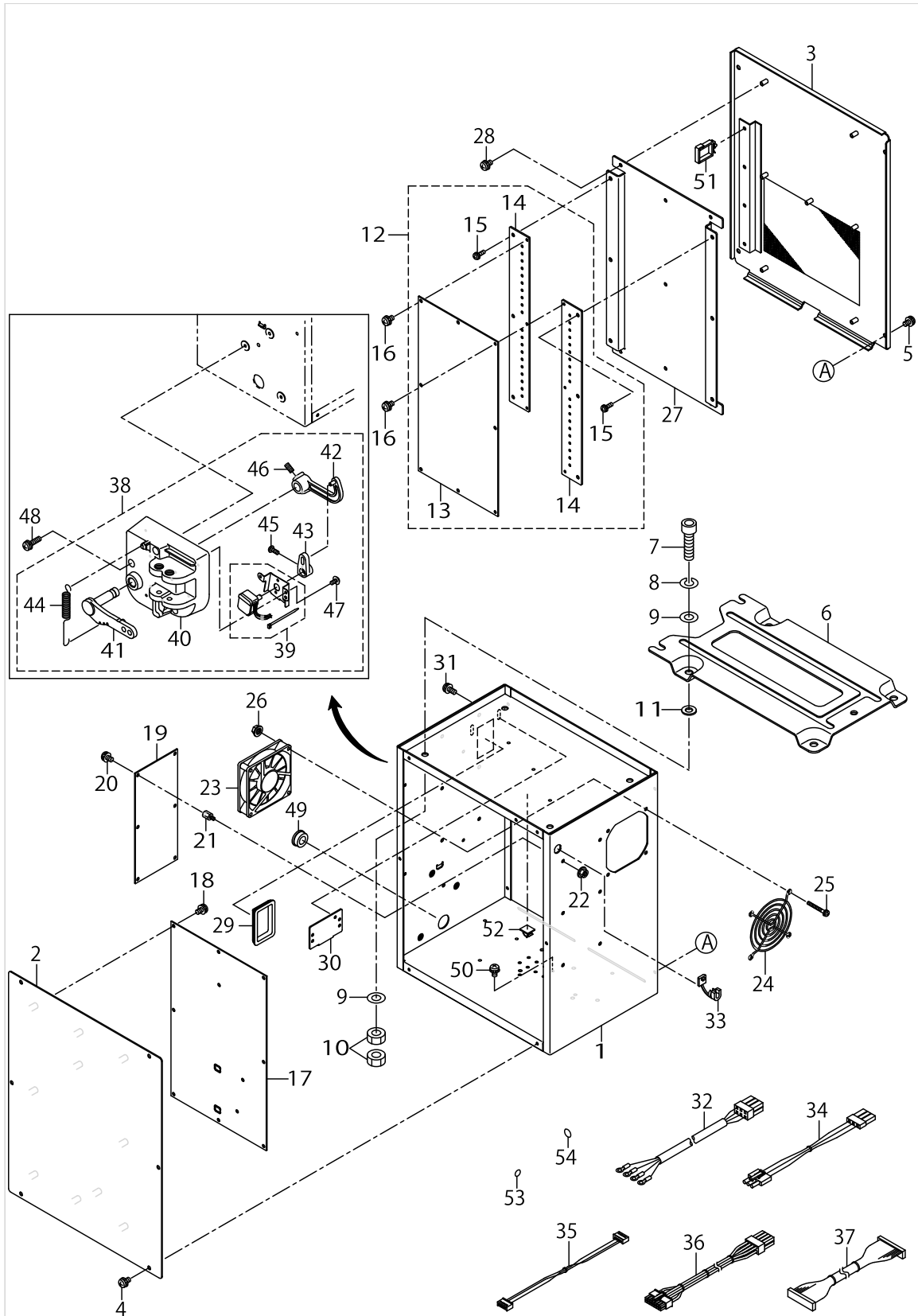
# CONTROL BOX COMPONENTS



CONTROL BOX COMPONENTS

| No. | Parts No.   | Parts name                     | Remarks | Level | Cons | Qty |
|-----|-------------|--------------------------------|---------|-------|------|-----|
| 1   | 40055355    | CONTROL BOX                    |         |       |      | 1   |
| 2   | 40055356    | CONTROL BOX FRONT COVER        |         |       |      | 1   |
| 3   | 40055357    | CONTROL BOX REAR COVER         |         |       |      | 1   |
| 4   | SL4040891SC | SCREW M4 L=8                   |         |       |      | 6   |
| 5   | SL4040891SC | SCREW M4 L=8                   |         |       |      | 4   |
| 6   | M3801476000 | TRANSMISSION BOX FITTING PLATE |         |       |      | 1   |
| 7   | SM6083002TN | SCREW M8 L=30                  |         |       |      | 4   |
| 8   | WS0820002KR | SPRING WASHER, M8              |         |       |      | 4   |
| 9   | WP0841601SC | WASHER 8.4X17.4X1.6            |         |       |      | 8   |
| 10  | NM6080001SC | NUT M8X1.25                    |         |       |      | 8   |
| 11  | M4206461000 | WASHER                         |         |       |      | 4   |
| 12  | 40109107    | MAIN PCB ASSY                  |         |       |      | 1   |
| 13  | 40108917    | MAIN PCB                       |         | *     |      | 1   |
| 14  | 40005705    | MAIN PCB HEAT SINK             |         | *     |      | 2   |
| 15  | SL4031081SF | SCREW M3 L=10                  |         | *     |      | 6   |
| 16  | SL4040881SC | SCREW M4 L=8                   |         |       |      | 6   |
| 17  | 40082758    | SDC PCB A ASSY                 |         |       |      | 1   |
| 18  | SL4040881SC | SCREW M4 L=8                   |         |       |      | 10  |
| 19  | 40000056    | FLT-T PCB A ASS'Y              |         |       |      | 1   |
| 20  | SL4040881SC | SCREW M4 L=8                   |         |       |      | 6   |
| 21  | HX003390000 | STUD                           |         |       |      | 6   |
| 22  | NM3040520SC | NUT M4                         |         |       |      | 6   |
| 23  | 40005401    | FAN MOTOR ASS'Y                |         |       |      | 1   |
| 24  | KM000000480 | FAN MOTOR                      |         |       |      | 1   |
| 25  | SL4043591SC | SCREW                          |         |       |      | 4   |
| 26  | NM3040520SC | NUT M4                         |         |       |      | 4   |
| 27  | 40005706    | MAIN PCB HOLDER PLATE          |         |       |      | 1   |
| 28  | SL4040881SC | SCREW M4 L=8                   |         |       |      | 5   |
| 29  | HX004070000 | BUSH                           |         |       |      | 1   |
| 30  | 17845009    | CORD FITTING PLATE             |         |       |      | 1   |
| 31  | SL4041091SC | SCREW M4 L=10                  |         |       |      | 2   |
| 32  | 40005391    | POWER CORD 3P ASS'Y            |         |       |      | 1   |
| 33  | HX00410000A | STRAIN RELIEF BUSHING          |         |       |      | 1   |
| 34  | 40005393    | FLT-SDC CORD P ASS'Y           |         |       |      | 1   |
| 35  | 40005394    | FLT-SDC CORD S ASS'Y           |         |       |      | 1   |
| 36  | 40005726    | SDC-MAIN CORD P ASS'Y          |         |       |      | 1   |
| 37  | 40005727    | SDC-MAIN CORD S ASS'Y          |         |       |      | 1   |
| 38  | 40003484    | PEDAL SENSOR ASM.              |         |       |      | 1   |
| 39  | 40003485    | SENSOR FITTING PLATE A ASM.    |         | *     |      | 1   |
| 40  | M4001461000 | PEDAL SENSOR BASE              |         | *     |      | 1   |
| 41  | M4002461000 | PEDAL LEVER                    |         | *     |      | 1   |
| 42  | M4004461000 | PEDAL RING                     |         | *     |      | 1   |
| 43  | M4005461000 | VOLUME LINK                    |         | *     |      | 1   |
| 44  | M4007351000 | FRONT SPRING                   |         | *     |      | 1   |
| 45  | SM4030801SF | SCREW M3X0.5 L=8               |         | *     |      | 1   |
| 46  | SM8040802TP | SCREW M4X8                     |         | *     |      | 2   |
| 47  | SV4030601SR | SCREW M3 L=6                   |         | *     |      | 2   |

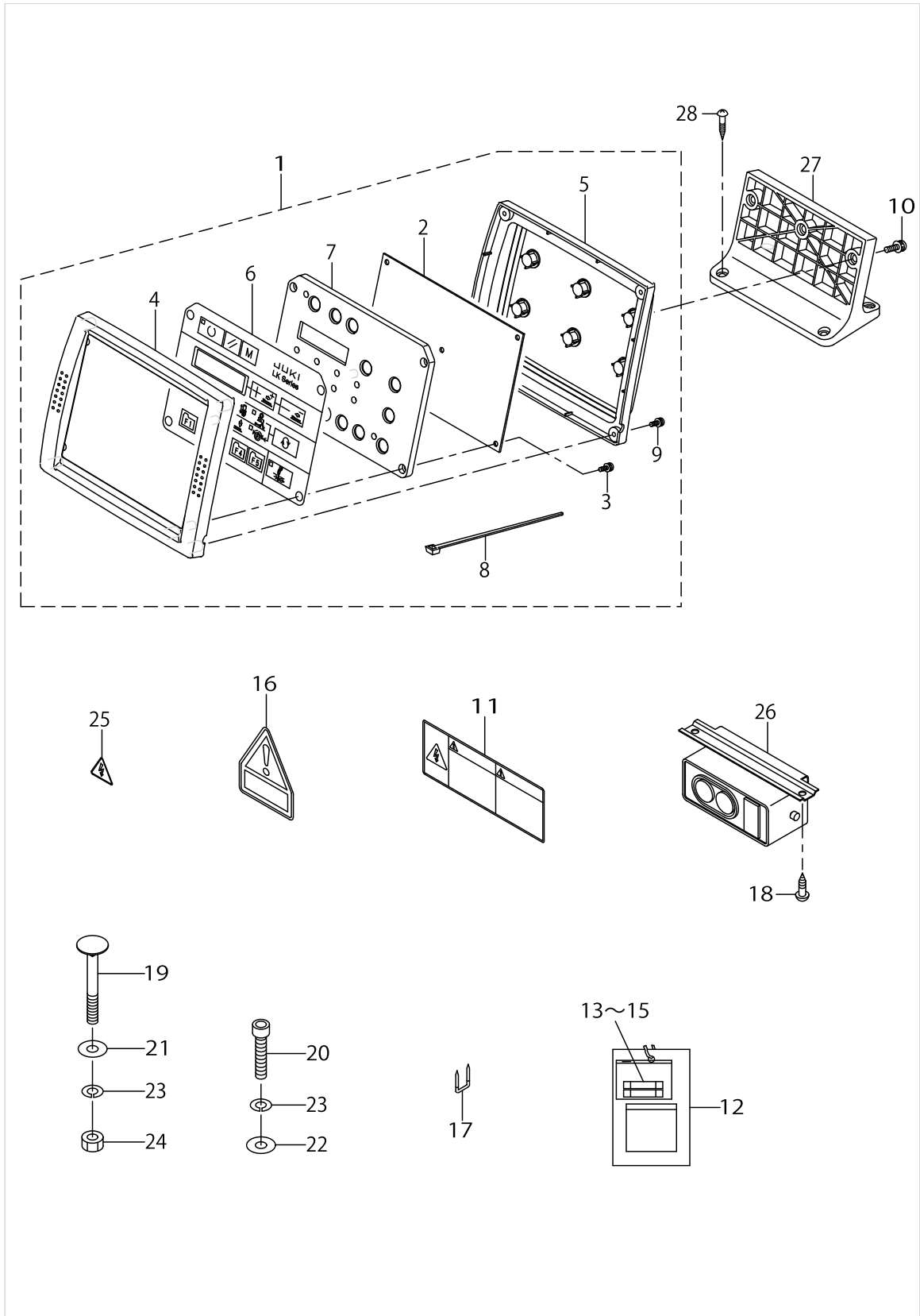
# CONTROL BOX COMPONENTS



CONTROL BOX COMPONENTS

| No. | Parts No.   | Parts name      | Remarks | Level | Cons | Qty |
|-----|-------------|-----------------|---------|-------|------|-----|
| 48  | SL4041681SF | SCREW M4 L=16   |         |       |      | 3   |
| 49  | HX00188000D | BUSH            |         |       |      | 1   |
| 50  | SL4040891SC | SCREW M4 L=8    |         |       |      | 2   |
| 51  | HX005110000 | WIRE SADDLE     |         |       |      | 3   |
| 52  | E9607603000 | STICKER (SMALL) |         |       |      | 1   |
| 53  | E9567319000 | EARTH MARK      |         |       |      | 1   |
| 54  | 40003458    | MASK SEAL       |         |       |      | 10  |

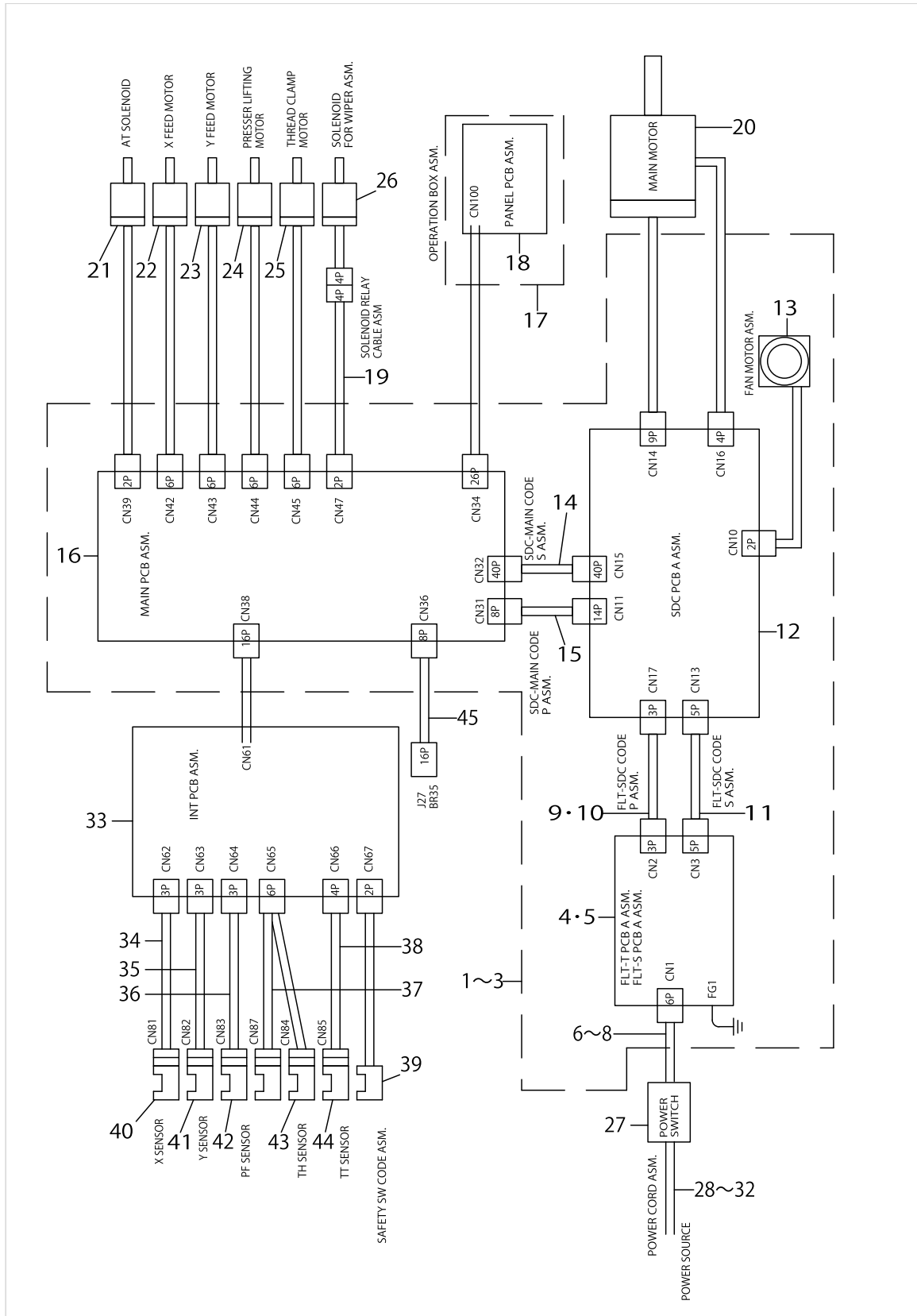
# OPERATION PANEL COMPONENTS



OPERATION PANEL COMPONENTS

| No. | Parts No.   | Parts name                  | Remarks   | Level | Cons | Qty |
|-----|-------------|-----------------------------|---|-------|------|-----|
| 1   | 40005695    | OPERATION BOX A ASM.        |   |       |      | 1   |
| 2   | 40005677    | PANEL PCB ASS'Y             |   | *     |      | 1   |
| 3   | SL4031081SC | SCREW M3 X 10               |   | *     |      | 4   |
| 4   | 40005692    | OPERATION BOX FRONT CASE    |   | *     |      | 1   |
| 5   | 40005693    | OPERATION BOX REAR CASE     |   | *     |      | 1   |
| 6   | 40005691    | OPERATION PANEL SHEET       |   | *     |      | 1   |
| 7   | 40005694    | PANEL PCB HOLDER PLATE      |   | *     |      | 1   |
| 8   | EA9500B0100 | CABLE BAND                  |   | *     |      | 1   |
| 9   | SL4031081SC | SCREW M3 X 10               |   | *     |      | 4   |
| 10  | SL4041691SC | SCREW M4 L=16               |   |       |      | 3   |
| 11  | CM300100401 | LABEL 3 (LARGE)             | FOR 100V(1-PHASE),<br>200/220V(3-PHASE)                       |       |      | 1   |
| 12  | M300451100A | VOLTAGE INDICATION CARD,A   |   |       |      | 1   |
| 13  | HF00130315S | FUSE 3.15A 250V REF. NO.112 |   |       |      | 1   |
| 14  | HF003000200 | FUSE 2A (220/240V)          |   |       |      | 1   |
| 15  | HF0013050P0 | FUSE 5A                     |   |       |      | 1   |
| 16  | CM300400601 | VOLTAGE CAUTION LABEL       | FOR 220/240V(1-PHASE),CE                                      |       |      | 1   |
| 17  | MAO11532000 | CORD STAPLE                 |   |       |      | 3   |
| 18  | SK3512001SE | WOOD SCREW D=5.1 L=20       |   |       |      | 2   |
| 19  | MTSHJ100003 | BOLT                        |   |       |      | 2   |
| 20  | SM6084002TN | SCREW M8 L=40               |   |       |      | 1   |
| 21  | WP0852086SC | WASHER M8                   |   |       |      | 2   |
| 22  | WP0841601SC | WASHER 8.4X17.4X1.6         |   |       |      | 1   |
| 23  | WS0820002KR | SPRING WASHER, M8           |   |       |      | 3   |
| 24  | NM6080002SC | NUT M8                      |   |       |      | 2   |
| 25  | CM300100003 | VOLTAGE WARNING LABEL(25)   | FOR 220/240V(1-PHASE),CE                                      |       |      | 1   |
| 26  | HA004250000 | SWITCH                      | FOR 100V(1-PHASE),<br>200/220V(3-PHASE),<br>220/240V(1-PHASE) |       |      | 1   |
| 27  | 40005697    | OPERATION BOX FITTING PLATE |   |       |      | 1   |
| 28  | SK3382001SE | SCREW D=3.8 L=20            |   |       |      | 4   |

MC-598 WIRING DIAGRAM

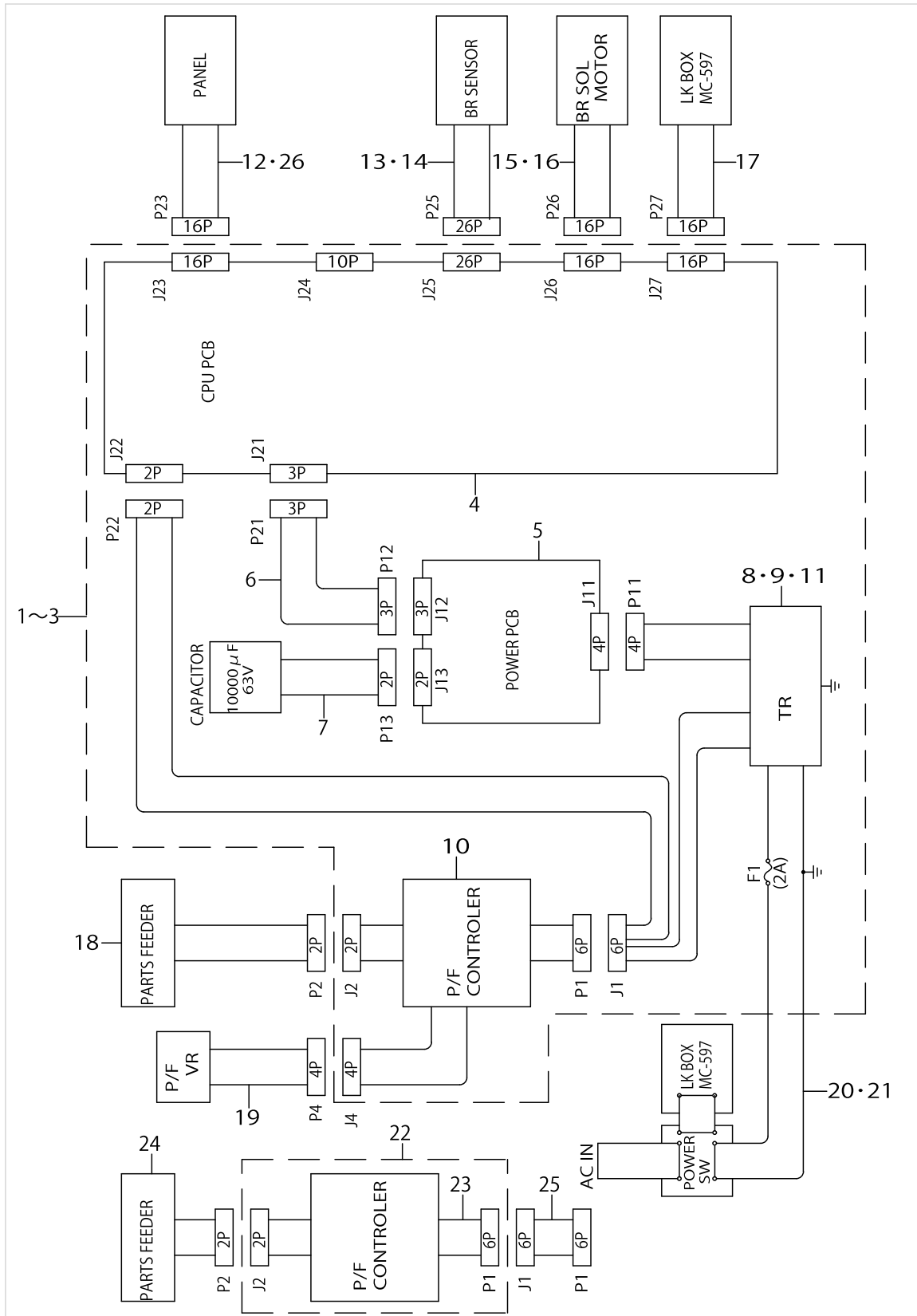


MC-598 WIRING DIAGRAM

| No. | Parts No.   | Parts name                | Remarks                                 | Level | Cons | Qty |
|-----|-------------|---------------------------|---|-------|------|-----|
| 1   | 40111063    | CONTROL BOX A ASM.        | FOR 100V(1-PHASE),<br>200/220V(3-PHASE) |       |      | 1   |
| 2   | 40111064    | CONTROL BOX B ASM.        | FOR CE                                  |       |      | 1   |
| 3   | 40111065    | CONTROL BOX C ASM.        | FOR 220/240V(1-PHASE)                   |       |      | 1   |
| 4   | 40000056    | FLT-T PCB A ASS'Y         | FOR 100V(1-PHASE)                       | *     |      | 1   |
| 5   | 40000046    | FLT-S PCB A ASS'Y         | FOR 220/240V(1-PHASE),CE                | *     |      | 1   |
| 6   | 40005391    | POWER CORD 3P ASS'Y       | FOR 100V(1-PHASE),<br>200/220V(3-PHASE) | *     |      | 1   |
| 7   | 40005392    | POWER CORD 1P ASS'Y       | FOR CE                                  | *     |      | 1   |
| 8   | 40005388    | POWER CORD 1P220V ASS'Y   | FOR 220/240V(1-PHASE)                   | *     |      | 1   |
| 9   | 40005393    | FLT-SDC CORD P ASS'Y      | EXCEPT CE                               | *     |      | 1   |
| 10  | 40012038    | REACTOR CORD ASSY         | FOR CE                                  | *     |      | 1   |
| 11  | 40005394    | FLT-SDC CORD S ASS'Y      |   | *     |      | 1   |
| 12  | 40082758    | SDC PCB A ASSY            |   | *     |      | 1   |
| 13  | 40005401    | FAN MOTOR ASS'Y           |   | *     |      | 1   |
| 14  | 40005727    | SDC-MAIN CORD S ASSY      |   | *     |      | 1   |
| 15  | 40005726    | SDC-MAIN CORD P ASSY      |   | *     |      | 1   |
| 16  | 40109107    | MAIN PCB ASSY             |   | *     |      | 1   |
| 17  | 40005695    | OPERATION BOX A ASM.      |   |       |      | 1   |
| 18  | 40005677    | PANEL PCB ASSY            |   | *     |      | 1   |
| 19  | 40018355    | SOLENOID RELAY CABLE ASM. |   |       |      | 1   |
| 20  | 40003470    | AC SERVO MOTOR            |   |       |      | 1   |
| 21  | 40006628    | AT_SOLENOID               |   |       |      | 1   |
| 22  | 40006861    | X FEED MOTOR              |   |       |      | 1   |
| 23  | 40006862    | Y FEED MOTOR              |   |       |      | 1   |
| 24  | 40006863    | PRESSER LIFTING MOTOR     |   |       |      | 1   |
| 25  | 40006864    | THREAD CLAMP MOTOR        |   |       |      | 1   |
| 26  | 14147755    | SOLENOID FOR WIPER ASM.   |   |       |      | 1   |
| 27  | HA004250000 | SWITCH                    | EXCEPT CE                               |       |      | 1   |
| 28  | M90175800A0 | POWER CABLE ASM.          | FOR 200/220V(3-PHASE)                   |       |      | 1   |
| 29  | M90355800A0 | POWER SOURCE CORD ASM.    | FOR 100V(1-PHASE)                       |       |      | 1   |
| 30  | M90345800A0 | GROUND CORD ASM.          | FOR 100V(1-PHASE)                       |       |      | 1   |
| 31  | 40005390    | POWER CABLE JE ASM.       | FOR CE                                  |       |      | 1   |
| 32  | M90245800A0 | POWER CABLE ASM.          | FOR 220/240V(1-PHASE)                   |       |      | 1   |
| 33  | 40005664    | INT PCB ASM.              |   |       |      | 1   |
| 34  | 40005730    | X SENSOR CABLE ASM.       |   |       |      | 1   |
| 35  | 40005731    | Y SENSOR CABLE ASM.       |   |       |      | 1   |
| 36  | 40005732    | PF SENSOR CABLE ASM.      |   |       |      | 1   |
| 37  | 40005729    | TH SENSOR CABLE ASM.      |   |       |      | 1   |
| 38  | 40005733    | TT SENSOR CABLE ASM.      |   |       |      | 1   |
| 39  | 40005734    | SAFETY SW CABLE ASM.      |   |       |      | 1   |
| 40  | HD002230000 | PHOTO SENSOR              |   |       |      | 1   |
| 41  | HD00057000A | PHOTO SENSOR              |   |       |      | 1   |
| 42  | HD00057000A | PHOTO SENSOR              |   |       |      | 1   |
| 43  | HD00057000A | PHOTO SENSOR              |   |       |      | 2   |
| 44  | HD002230000 | PHOTO SENSOR              |   |       |      | 1   |
| 45  | 40012037    | LKA-BR RELAY CABLE ASM.   |   |       |      | 1   |



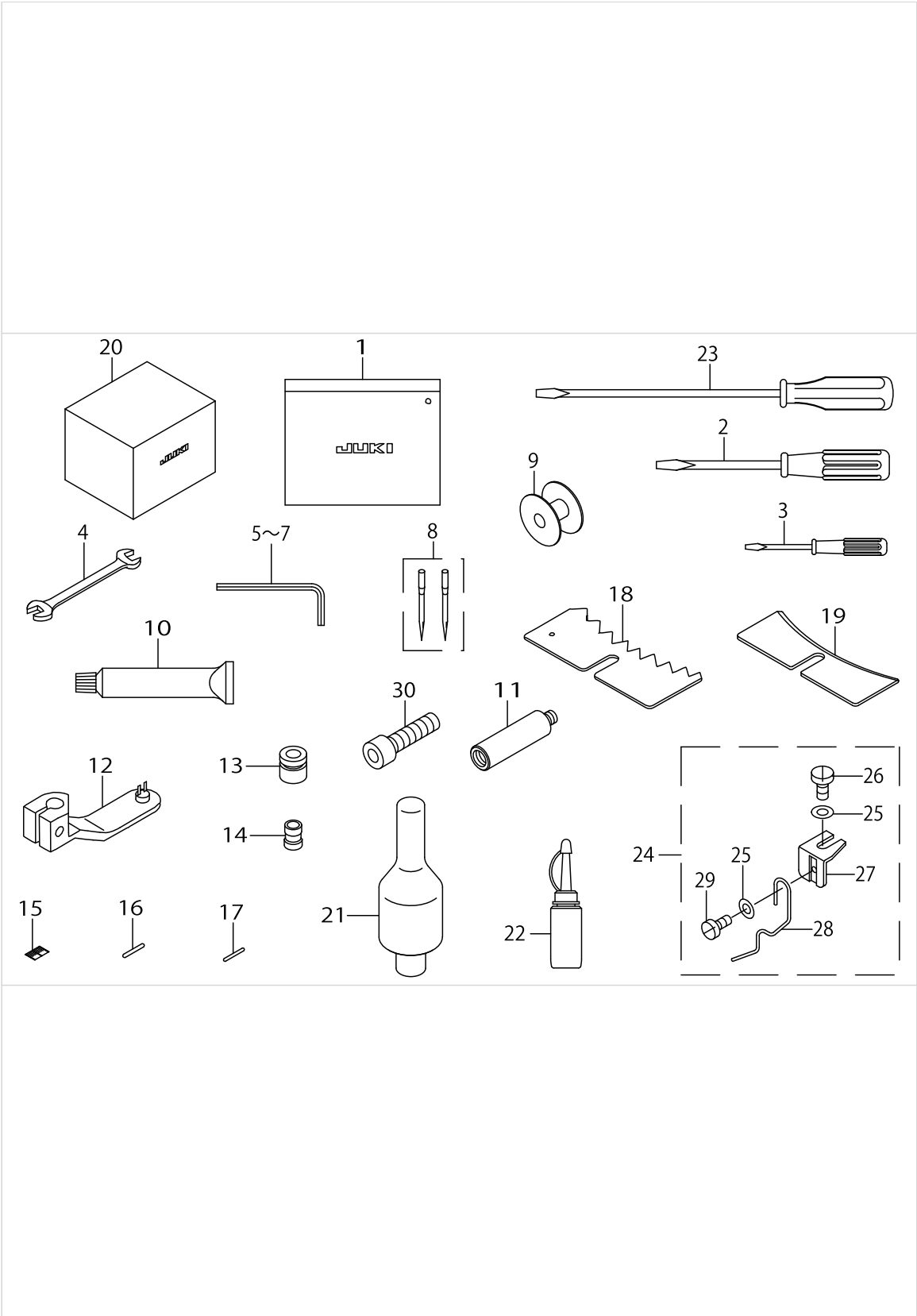
BR35 WIRING DIAGRAM



BR35 WIRING DIAGRAM

| No. | Parts No.   | Parts name                      | Remarks         | Level | Cons | Qty |
|-----|-------------|---------------------------------|-----------------|-------|------|-----|
| 1   | 40014495    | CONTROL BOX A ASM.              | FOR 100~200V    |       |      | 1   |
| 2   | 40014506    | CONTROL BOX B ASM.              | FOR 220~240V    |       |      | 1   |
| 3   | 40014526    | CONTROL BOX C ASM.              | FOR CE          |       |      | 1   |
| 4   | GBR107510A0 | CPU BOARD ASM.                  |                 | *     |      | 1   |
| 5   | GBR107610A0 | POWER BOARD                     |                 | *     |      | 1   |
| 6   | GBR107720A0 | CPU BOARD POWER CORD ASM.       |                 | *     |      | 1   |
| 7   | GBR107430A0 | CONDENSER ASM.                  |                 | *     |      | 1   |
| 8   | GBR107480AA | TRANS A ASM.                    | FOR 100~200V    | *     |      | 1   |
| 9   | GBR107480AB | TRANS B ASM.                    | FOR 220~240V    | *     |      | 1   |
| 10  | GBR107740A0 | P/F CONTROLLER ASM.             | EXCEPT CE       | *     |      | 1   |
| 11  | GBR107480AC | TRANS C ASM.                    | FOR CE          | *     |      | 1   |
| 12  | GBR30784AA0 | OPERATION PANEL WHOLE ASM. (A)  | EXCEPT CE       |       |      | 1   |
| 13  | GBR108410BC | SENSOR CONNECTING CABLE ASM.    | FOR CE          |       |      | 1   |
| 14  | GBR108410B0 | BR SENSOR ASM.                  | EXCEPT CE       |       |      | 1   |
| 15  | GBR108510AC | BR DRIVING SOURCE ASM.          | FOR CE          |       |      | 1   |
| 16  | GBR108510A0 | BR DRIVING SOURCE ASM.          | EXCEPT CE       |       |      | 1   |
| 17  | 40012037    | LKA-BR RELAY CABLE ASM.         |                 |       |      | 1   |
| 18  | GBR107910A0 | PARTS FEEDER ALL ASM.           | EXCEPT CE       |       |      | 1   |
| 19  | GBR107870A0 | VOLUME ASM.                     | EXCEPT CE       |       |      | 1   |
| 20  | GBR107440A0 | AC INPUT POWER CABLE CORD ASM.  | FOR 220~240V,CE |       |      | 1   |
| 21  | GBR107450A0 | AC INPUT POWER CABLE CORD ASM.  | FOR 100~200V    |       |      | 1   |
| 22  | GBR108010A0 | P/F CONTROLLER ASM.             | FOR CE          |       |      | 1   |
| 23  | GBR108210A0 | P/F POWER CORD ASM.             | FOR CE          | *     |      | 1   |
| 24  | GBR107910AC | PARTS FEEDR ALL C ASM.          | FOR CE          |       |      | 1   |
| 25  | GBR250810A0 | P/F CONTROLLER RELAY CABLE ASM. | FOR CE          |       |      | 1   |
| 26  | GBR250610AC | OPERATION PANEL WHOLE ASM. C    | FOR CE          |       |      | 1   |

ACCESSORIE PARTS COMPONENTS



ACCESSORIE PARTS COMPONENTS

| No. | Parts No.   | Parts name                  | Remarks | Level | Cons | Qty |
|-----|-------------|-----------------------------|---------|-------|------|-----|
| 1   | 22932800    | ACCESSORIE BAG              |         |       |      | 1   |
| 2   | 22933105    | SCREW DRIVER,MIDDLE         |         |       |      | 1   |
| 3   | 22933204    | SCREW DRIVER,SMALL          |         |       |      | 1   |
| 4   | B9113012000 | WRENCH (9X10)               |         |       |      | 1   |
| 5   | B9140372000 | HEXAGONAL WRENCH, SMALL     |         |       |      | 1   |
| 6   | B9141372000 | HEXAGONAL WRENCH, LARGE     |         |       |      | 1   |
| 7   | GCT02906000 | HEXAGONAL SPANNER           |         |       |      | 1   |
| 8   | MDP170B1402 | NEEDLE DPX17#14-2           |         |       | ☆    | 1   |
| 9   | 13812102    | BOBBIN                      |         |       |      | 1   |
| 10  | 40013640    | JUKI_GREASE_B_TUBE          |         |       | ☆    | 1   |
| 11  | 40036110    | GREASE_JOINT_B              |         |       |      | 1   |
| 12  | 16558009    | BUTTON CARRIER B            |         |       |      | 1   |
| 13  | 16558108    | RING, SMALL                 |         |       |      | 1   |
| 14  | 18200501    | WORK ATTACHMENT (SMALL)     |         |       | ☆    | 3   |
| 15  | 18204701    | SCALE                       |         |       |      | 4   |
| 16  | GBR01155000 | SET PIN A                   |         |       |      | 6   |
| 17  | GBR01156000 | SET PIN B                   |         |       |      | 4   |
| 18  | GBR01423000 | SELECTOR PLATE, MEDIUM      |         |       |      | 1   |
| 19  | GBR01437000 | AUXILIARY PLATE             |         |       |      | 1   |
| 20  | 40048664    | HEAD_COVER                  |         |       |      | 1   |
| 21  | 14101208    | HEAD SUPPORT BAR            |         |       |      | 1   |
| 22  | B91212200A0 | OILER (CONTAINING NO.2 OIL) |         |       |      | 1   |
| 23  | 22933006    | SCREW DRIVER,LARGE          |         |       |      | 1   |
| 24  | 14146757    | BUTTON RISING BAR ASM.      |         |       |      | 1   |
| 25  | WP0370316SD | WASHER 3.7X8X0.3            |         | *     |      | 2   |
| 26  | SS9090813TP | SCREW 9/64-40 L=8           |         | *     |      | 1   |
| 27  | 14146807    | INSTALLING BASE             |         | *     |      | 1   |
| 28  | 14146708    | BUTTON RISING BAR           |         | *     |      | 1   |
| 29  | SS6080340SP | SCREW 1/8-44 L=2.9          |         | *     |      | 1   |
| 30  | SM6083002TN | SCREW M8 L=30               |         |       |      | 1   |

## HOW TO MAKE USE OF THIS PARTS LIST

- 1.As to "#01" and "#02" refer to the "Note" given at the bottom of the respective pages.
- 2.Codes on the "Qty" column
  - Each numeral indicates the number of parts required.
  - "0.1" and "2.5" indicate the length (in meters) of the respective parts.
- 3.Parentheses mean that the corresponding part is a subpart that constructs an assembly part.
- 4.Dotted lines on the Figures indicate assembly parts.
- 5.As to the parts with marks of "☆"(Consumable parts)and "◎"(optional parts)on the respective parts, it is recommended to prepare spares.

1. リストページの#01、#02の印は、ページ下の"注記"の説明を参照下さい。
2. 数量欄の数字は、個数を表し、0.1、2.5等の数値は、長さ(単位メートル)を表します。
3. 数量欄の( )は、組部品を構成している子部品であることを意味します。
4. イラストページの-----枠は、組構成であることを意味します。
5. リストページの"☆"(消耗部品)、"◎"(オプション部品)の印が付いた部品は、予備を準備しておくことをお勧めします。

Other parts list related to this model.

この機種に関するパーツリストとして下記のパーツリストがあります。

LK-1900AN Series(No.1583)

Computer-controlled High-speed Bar-tacking Industrial Sewing Machine.

高速電子門止めミシン

# NUMERICAL INDEX OF PARTS

| PART NO  | PAGE | REF NO. | PART NO  | PAGE | REF NO. | PART NO  | PAGE | REF NO. |
|----------|------|---------|----------|------|---------|----------|------|---------|
| 10004109 | 42   | 24      | 16551905 | 18   | 16      | 16566408 | 24   | 25      |
| 11155108 | 36   | 62      | 16552309 | 18   | 21      | 16566507 | 24   | 1       |
| 11155207 | 34   | 32      | 16552507 | 16   | 1       | 16566606 | 24   | 10      |
| 11158300 | 34   | 7       | 16552606 | 16   | 10      | 16567000 | 24   | 14      |
| 11158409 | 34   | 8       | 16553208 | 16   | 21      | 16567166 | 24   | 31      |
| 11158516 | 34   | 11      | 16553208 | 24   | 5       | 16567802 | 24   | 40      |
| 11158607 | 34   | 9       | 16553307 | 16   | 22      | 16567901 | 24   | 43      |
| 11159001 | 34   | 14      | 16554008 | 16   | 20      | 16568206 | 26   | 51      |
| 11159506 | 34   | 30      | 16554008 | 24   | 38      | 16568404 | 28   | 30      |
| 13160304 | 36   | 56      | 16554503 | 16   | 30      | 16568602 | 30   | 61      |
| 13540901 | 12   | 29      | 16556300 | 18   | 44      | 16568651 | 30   | 60      |
| 13811906 | 6    | 12      | 16556409 | 18   | 43      | 16568909 | 28   | 26      |
| 13812003 | 6    | 11      | 16556508 | 20   | 52      | 16569204 | 30   | 68      |
| 13812102 | 58   | 9       | 16556607 | 18   | 34      | 16569501 | 28   | 18      |
| 13817754 | 34   | 13      | 16556706 | 16   | 14      | 16569600 | 28   | 17      |
| 13864509 | 4    | 14      | 16556805 | 16   | 25      | 16570103 | 28   | 21      |
| 14101208 | 58   | 21      | 16557209 | 16   | 4       | 16570202 | 28   | 22      |
| 14103352 | 8    | 21      | 16557209 | 26   | 68      | 16570301 | 28   | 23      |
| 14118152 | 34   | 3       | 16557308 | 18   | 15      | 16570509 | 30   | 48      |
| 14118251 | 34   | 4       | 16557407 | 18   | 4       | 16570608 | 30   | 51      |
| 14141402 | 12   | 7       | 16557506 | 16   | 29      | 16570707 | 28   | 33      |
| 14145106 | 6    | 1       | 16557605 | 16   | 34      | 16570905 | 28   | 37      |
| 14146104 | 12   | 6       | 16557902 | 18   | 9       | 16571408 | 30   | 49      |
| 14146203 | 12   | 4       | 16558009 | 58   | 12      | 16571606 | 30   | 72      |
| 14146302 | 12   | 9       | 16558108 | 58   | 13      | 16571804 | 28   | 45      |
| 14146708 | 58   | 28      | 16558801 | 18   | 17      | 16571903 | 28   | 15      |
| 14146757 | 58   | 24      | 16559304 | 16   | 31      | 16572000 | 26   | 78      |
| 14146807 | 58   | 27      | 16559601 | 16   | 35      | 16572406 | 24   | 24      |
| 14146906 | 6    | 10      | 16560104 | 22   | 14      | 16572505 | 24   | 41      |
| 14147607 | 4    | 15      | 16560203 | 22   | 32      | 16572703 | 28   | 65      |
| 14147755 | 4    | 11      | 16560302 | 22   | 21      | 16572703 | 30   | 65      |
| 14147755 | 54   | 26      | 16561607 | 22   | 15      | 16573008 | 28   | 14      |
| 14147805 | 4    | 21      | 16561904 | 22   | 25      | 16573305 | 24   | 44      |
| 14148407 | 6    | 3       | 16562001 | 22   | 18      | 16573701 | 28   | 2       |
| 14190052 | 12   | 1·2     | 16562001 | 28   | 43      | 16573909 | 28   | 46      |
| 14190151 | 12   | 1·2     | 16562100 | 22   | 23      | 16574006 | 24   | 18      |
| 14190300 | 12   | 28      | 16562308 | 22   | 20      | 16574105 | 24   | 3       |
| 14190458 | 12   | 11·12   | 16562803 | 22   | 4       | 16574204 | 26   | 52      |
| 14190557 | 12   | 16·17   | 16562902 | 22   | 6       | 16577009 | 32   | 1       |
| 14191951 | 34   | 2       | 16565301 | 26   | 79      | 16577207 | 32   | 33      |
| 16550105 | 16   | 38      | 16565400 | 26   | 54      | 16577306 | 32   | 20      |
| 16550204 | 18   | 42      | 16565509 | 26   | 55      | 16577405 | 32   | 22      |
| 16550402 | 18   | 40      | 16565707 | 24   | 7       | 16577504 | 32   | 11      |
| 16550808 | 18   | 3       | 16565905 | 24   | 22      | 16579203 | 32   | 19      |
| 16551806 | 18   | 30      | 16566002 | 24   | 4       | 16582504 | 46   | 27      |

# NUMERICAL INDEX OF PARTS

| PART NO  | PAGE | REF NO. | PART NO  | PAGE | REF NO. | PART NO  | PAGE | REF NO. |
|----------|------|---------|----------|------|---------|----------|------|---------|
| 16582603 | 46   | 28      | 18213454 | 28   | 10      | 40005401 | 54   | 13      |
| 16582702 | 46   | 35      | 18213504 | 28   | 12      | 40005664 | 54   | 33      |
| 16583403 | 46   | 26      | 18217505 | 24   | 39      | 40005677 | 52   | 2       |
| 16586505 | 36   | 49      | 18217752 | 16   | 33      | 40005677 | 54   | 18      |
| 17007402 | 34   | 10      | 18217950 | 22   | 3       | 40005691 | 52   | 6       |
| 17845009 | 48   | 30      | 18218008 | 30   | 71      | 40005692 | 52   | 4       |
| 18200303 | 28   | 29      | 18218206 | 16   | 3       | 40005693 | 52   | 5       |
| 18200352 | 28   | 27      | 18218800 | 18   | 20      | 40005694 | 52   | 7       |
| 18200501 | 18   | 19      | 18218909 | 24   | 6       | 40005695 | 52   | 1       |
| 18200501 | 58   | 14      | 18219204 | 24   | 37      | 40005695 | 54   | 17      |
| 18200709 | 14   | 52      | 18219501 | 28   | 20      | 40005697 | 52   | 27      |
| 18200907 | 30   | 64      | 18219600 | 28   | 40      | 40005705 | 48   | 14      |
| 18200956 | 30   | 63      | 18219709 | 16   | 2       | 40005706 | 48   | 27      |
| 18201103 | 30   | 53      | 18219808 | 16   | 12      | 40005726 | 48   | 36      |
| 18201608 | 24   | 27      | 18219907 | 46   | 25      | 40005726 | 54   | 15      |
| 18201905 | 28   | 6       | 18222604 | 34   | 43      | 40005727 | 48   | 37      |
| 18201962 | 28   | 1       | 18227553 | 22   | 9       | 40005727 | 54   | 14      |
| 18202002 | 28   | 7       | 18227603 | 14   | 51      | 40005729 | 54   | 37      |
| 18202101 | 26   | 76      | 18227702 | 16   | 26      | 40005730 | 54   | 34      |
| 18202150 | 26   | 74      | 18227850 | 16   | 8       | 40005731 | 54   | 35      |
| 18202200 | 26   | 77      | 18227959 | 18   | 5       | 40005732 | 54   | 36      |
| 18202408 | 32   | 23      | 18228106 | 36   | 50      | 40005733 | 54   | 38      |
| 18203307 | 28   | 4       | 22891006 | 8    | 10      | 40005734 | 54   | 39      |
| 18204107 | 24   | 34      | 22932800 | 58   | 1       | 40006475 | 36   | 69      |
| 18204206 | 28   | 16      | 22933006 | 58   | 23      | 40006525 | 8    | 14      |
| 18204503 | 28   | 25      | 22933105 | 58   | 2       | 40006532 | 8    | 11      |
| 18204602 | 32   | 9       | 22933204 | 58   | 3       | 40006534 | 8    | 7       |
| 18204701 | 58   | 15      | 26037903 | 36   | 57      | 40006535 | 8    | 8       |
| 18204909 | 26   | 75      | 40000046 | 54   | 4·5     | 40006580 | 8    | 22      |
| 18205401 | 18   | 26      | 40000056 | 48   | 19      | 40006628 | 54   | 21      |
| 18205708 | 18   | 12      | 40000056 | 54   | 4·5     | 40006721 | 8    | 29      |
| 18205906 | 18   | 6       | 40003458 | 50   | 54      | 40006725 | 8    | 23·24   |
| 18206003 | 18   | 1       | 40003470 | 54   | 20      | 40006726 | 8    | 23·24   |
| 18206201 | 20   | 53      | 40003484 | 48   | 38      | 40006861 | 54   | 22      |
| 18206409 | 18   | 7       | 40003485 | 48   | 39      | 40006862 | 54   | 23      |
| 18206607 | 18   | 11      | 40005388 | 54   | 6~8     | 40006863 | 54   | 24      |
| 18206706 | 16   | 24      | 40005390 | 54   | 28~32   | 40006864 | 54   | 25      |
| 18206904 | 16   | 36      | 40005391 | 48   | 32      | 40006923 | 8    | 1       |
| 18207209 | 22   | 11      | 40005391 | 54   | 6~8     | 40006924 | 8    | 2       |
| 18207506 | 22   | 13      | 40005392 | 54   | 6~8     | 40006925 | 8    | 3       |
| 18207902 | 16   | 17      | 40005393 | 48   | 34      | 40006926 | 8    | 12      |
| 18209007 | 14   | 58      | 40005393 | 54   | 9·10    | 40006927 | 10   | 48      |
| 18209502 | 24   | 35      | 40005394 | 48   | 35      | 40006935 | 6    | 2       |
| 18212902 | 30   | 50      | 40005394 | 54   | 11      | 40009859 | 4    | 20      |
| 18213405 | 28   | 11      | 40005401 | 48   | 23      | 40011949 | 8    | 17      |

NUMERICAL INDEX OF PARTS

| PART NO      | PAGE | REF NO. | PART NO     | PAGE | REF NO. | PART NO      | PAGE | REF NO. |
|--------------|------|---------|-------------|------|---------|--------------|------|---------|
| 40012037     | 46   | 21      | B24152800A0 | 8    | 36      | E5006171000  | 20   | 57      |
| 40012037     | 54   | 45      | B2416280000 | 8    | 35      | E9567319000  | 50   | 53      |
| 40012037     | 56   | 17      | B2417280000 | 8    | 38      | E9607603000  | 50   | 52      |
| 40012038     | 54   | 9·10    | B2418280000 | 8    | 34      | E9613601000  | 38   | 15      |
| 40013452     | 2    | 1       | B24212800A0 | 8    | 33      | E9613601000  | 42   | 11      |
| 40013640     | 58   | 10      | B242328000A | 8    | 41~45   | EA9500B0100  | 40   | 55      |
| 40014216     | 34   | 36      | B242328000B | 8    | 41~45   | EA9500B0100  | 44   | 54      |
| 40014217     | 32   | 18      | B242328000C | 8    | 41~45   | EA9500B0100  | 52   | 8       |
| 40014219     | 46   | 22      | B242328000D | 8    | 41~45   | GBR01120000  | 22   | 1       |
| 40014220     | 36   | 48      | B242328000E | 8    | 41~45   | GBR01155000  | 58   | 16      |
| 40014221     | 34   | 46      | B2424280000 | 8    | 32      | GBR01156000  | 58   | 17      |
| 40014240     | 34   | 1       | B2548372RA0 | 12   | 44      | GBR01168000  | 22   | 17      |
| 40014495     | 38   | 1·2     | B2549372R00 | 12   | 35      | GBR01175000  | 18   | 46      |
| 40014495     | 56   | 1~3     | B2553372000 | 12   | 32      | GBR014220A0  | 32   | 26      |
| 40014506     | 38   | 1·2     | B2560372000 | 12   | 33      | GBR01423000  | 58   | 18      |
| 40014506     | 56   | 1~3     | B2561372000 | 12   | 26      | GBR01426000  | 32   | 2       |
| 40014526     | 42   | 1       | B2619372000 | 8    | 18      | GBR01428000  | 32   | 14      |
| 40014526     | 56   | 1~3     | B3052816000 | 34   | 45      | GBR01437000  | 58   | 19      |
| 40016644     | 42   | 39      | B3125012000 | 6    | 8       | GBR01441000  | 32   | 4       |
| 40018334     | 4    | 7       | B55412050A0 | 2    | 2       | GBR01601000A | 12   | 42      |
| 40018335     | 4    | 10      | B5542205000 | 36   | 63      | GBR01606000  | 12   | 39      |
| 40018355     | 54   | 19      | B8101210AAB | 34   | 5       | GBR01607000  | 12   | 40      |
| 40036110     | 58   | 11      | B8105210AAA | 34   | 6       | GBR107240A0  | 38   | 3       |
| 40048664     | 58   | 20      | B8150210000 | 34   | 26      | GBR107240AC  | 42   | 2       |
| 40055355     | 48   | 1       | B8153771000 | 34   | 15      | GBR10726000  | 42   | 32      |
| 40055356     | 48   | 2       | B8202205000 | 34   | 41      | GBR10728000  | 42   | 46      |
| 40055357     | 48   | 3       | B9113012000 | 58   | 4       | GBR107430A0  | 38   | 19      |
| 40082758     | 48   | 17      | B9121012000 | 36   | 54      | GBR107430A0  | 42   | 16      |
| 40082758     | 54   | 12      | B91212200A0 | 58   | 22      | GBR107430A0  | 56   | 7       |
| 40108917     | 48   | 13      | B9140372000 | 58   | 5~7     | GBR107440A0  | 38   | 23·24   |
| 40109107     | 48   | 12      | B9141372000 | 58   | 5~7     | GBR107440A0  | 42   | 20      |
| 40109107     | 54   | 16      | CM200100001 | 42   | 23      | GBR107440A0  | 56   | 20·21   |
| 40111063     | 54   | 1~3     | CM300100003 | 52   | 25      | GBR107450A0  | 38   | 23·24   |
| 40111064     | 54   | 1~3     | CM300100101 | 40   | 59      | GBR107450A0  | 56   | 20·21   |
| 40111065     | 54   | 1~3     | CM300100401 | 52   | 11      | GBR107460AA  | 38   | 8·9     |
| B1114581000  | 2    | 3       | CM3002002B1 | 36   | 47      | GBR107460AB  | 38   | 8·9     |
| B1426771000  | 22   | 10      | CM300400601 | 52   | 16      | GBR107460AC  | 42   | 7       |
| B1649161000  | 20   | 64      | D2431555B00 | 36   | 61      | GBR10747000  | 38   | 18      |
| B185351200E  | 8    | 19      | D2527232D00 | 6    | 9       | GBR10747000  | 42   | 15      |
| B1903552000  | 8    | 13      | D2548232D00 | 12   | 30      | GBR107480AA  | 38   | 10·11   |
| B1908505000  | 8    | 4       | D2572M1YC0F | 12   | 45      | GBR107480AA  | 56   | 8·9·11  |
| B210220500A  | 4    | 8       | D3130M1YC00 | 12   | 21      | GBR107480AB  | 38   | 10·11   |
| B2107816000  | 30   | 56      | D6042555B00 | 32   | 37      | GBR107480AB  | 56   | 8·9·11  |
| B2107816000A | 24   | 8       | D8113555B00 | 34   | 16      | GBR107480AC  | 42   | 8       |
| B24142800A0  | 8    | 37      | D8204555D00 | 34   | 33      | GBR107480AC  | 56   | 8·9·11  |



# NUMERICAL INDEX OF PARTS

| PART NO     | PAGE | REF NO. | PART NO     | PAGE | REF NO. | PART NO     | PAGE | REF NO. |
|-------------|------|---------|-------------|------|---------|-------------|------|---------|
| GBR107510A0 | 38   | 28      | GBR10854000 | 26   | 56      | HA004250000 | 52   | 26      |
| GBR107510A0 | 42   | 35      | GBR10854000 | 46   | 17      | HA004250000 | 54   | 27      |
| GBR107510A0 | 56   | 4       | GBR108550A0 | 20   | 50      | HD000360000 | 22   | 28      |
| GBR107610A0 | 38   | 4       | GBR108550A0 | 46   | 18      | HD00057000A | 54   | 43      |
| GBR107610A0 | 42   | 3       | GBR108560A0 | 28   | 47      | HD002230000 | 54   | 44      |
| GBR107610A0 | 56   | 5       | GBR108560A0 | 46   | 20      | HF00130315S | 52   | 13~15   |
| GBR107720A0 | 38   | 35      | GBR108580A0 | 46   | 12·13   | HF0013050P0 | 52   | 13~15   |
| GBR107720A0 | 42   | 31      | GBR108580AC | 46   | 12·13   | HF003000200 | 52   | 13~15   |
| GBR107720A0 | 56   | 6       | GBR108590A0 | 22   | 27      | HF005111000 | 38   | 13      |
| GBR107740A0 | 38   | 36      | GBR108590A0 | 46   | 19      | HF005111000 | 42   | 10      |
| GBR107740A0 | 56   | 10      | GBR11109000 | 20   | 54      | HF00511100B | 38   | 14      |
| GBR10775000 | 38   | 37      | GBR11110000 | 20   | 51      | HF00511100B | 42   | 12      |
| GBR10782000 | 40   | 53      | GBR11111000 | 20   | 55      | HF0084020P0 | 38   | 29      |
| GBR10782000 | 44   | 53      | GBR11112000 | 18   | 24      | HF0084020P0 | 42   | 36      |
| GBR107850A0 | 38   | 42      | GBR11113000 | 20   | 66      | HF0084063P0 | 38   | 30      |
| GBR107850AC | 42   | 40      | GBR11114000 | 20   | 56      | HF0084063P0 | 42   | 37      |
| GBR10786000 | 40   | 50      | GBR11115000 | 20   | 62      | HG002910000 | 38   | 45      |
| GBR10786000 | 42   | 47      | GBR207340A0 | 38   | 40      | HG002910000 | 42   | 41      |
| GBR107870A0 | 40   | 54      | GBR207340A0 | 42   | 26      | HG00291000A | 38   | 44      |
| GBR107870A0 | 56   | 19      | GBR25003000 | 14   | 59      | HG00291000A | 44   | 50      |
| GBR10791000 | 32   | 35      | GBR25004000 | 14   | 57      | HK004440020 | 32   | 36      |
| GBR107910A0 | 32   | 31      | GBR25005000 | 16   | 41      | HK004490020 | 32   | 32      |
| GBR107910A0 | 56   | 18      | GBR25006000 | 36   | 58      | HL008730140 | 38   | 39      |
| GBR107910AC | 56   | 24      | GBR25010000 | 36   | 71      | HL008730143 | 42   | 25      |
| GBR108010A0 | 42   | 38      | GBR250610AC | 56   | 12·26   | HX000980000 | 38   | 25      |
| GBR108010A0 | 56   | 22      | GBR250810A0 | 44   | 57      | HX000980000 | 42   | 21      |
| GBR108210A0 | 56   | 23      | GBR250810A0 | 56   | 25      | HX00114000A | 38   | 46·47   |
| GBR108410B0 | 56   | 13·14   | GBR30784AA0 | 38   | 41      | HX00114000A | 42   | 42·43   |
| GBR108410BC | 56   | 13·14   | GBR30784AA0 | 56   | 12·26   | HX00123000C | 4    | 3       |
| GBR108420A0 | 46   | 29      | GBR30788000 | 40   | 56      | HX00150000B | 38   | 21      |
| GBR108430A0 | 24   | 20      | GBR30788000 | 44   | 56      | HX00150000B | 42   | 18      |
| GBR108430A0 | 46   | 6       | GBR308650A0 | 36   | 65      | HX00188000D | 50   | 49      |
| GBR108440A0 | 26   | 72      | GCT02906000 | 58   | 5~7     | HX00228000A | 38   | 7       |
| GBR108440A0 | 46   | 7       | GPF060600A0 | 34   | 18      | HX00228000A | 42   | 6       |
| GBR108450A0 | 30   | 66      | GPF06080000 | 34   | 17      | HX003390000 | 34   | 44      |
| GBR108450A0 | 46   | 9       | HA001910000 | 40   | 51      | HX003390000 | 48   | 21      |
| GBR108460A0 | 46   | 3·4     | HA001910000 | 44   | 48      | HX00339000B | 36   | 52      |
| GBR108460AC | 46   | 3·4     | HA00191001B | 38   | 43      | HX004070000 | 48   | 29      |
| GBR108470A0 | 46   | 8       | HA00191001B | 44   | 49      | HX00410000A | 48   | 33      |
| GBR108510A0 | 56   | 15·16   | HA00191001C | 40   | 49      | HX005110000 | 50   | 51      |
| GBR108510AC | 56   | 15·16   | HA00191001C | 42   | 45      | KM000000480 | 48   | 24      |
| GBR10852000 | 16   | 6       | HA002900000 | 38   | 46·47   | M300451100A | 52   | 12      |
| GBR10852000 | 46   | 15      | HA002900000 | 42   | 42·43   | M3801476000 | 48   | 6       |
| GBR10853000 | 26   | 50      | HA002980000 | 38   | 6       | M4001461000 | 48   | 40      |
| GBR10853000 | 46   | 16      | HA002980000 | 42   | 5       | M4002461000 | 48   | 41      |

NUMERICAL INDEX OF PARTS

| PART NO     | PAGE | REF NO. | PART NO     | PAGE | REF NO. | PART NO     | PAGE | REF NO. |
|-------------|------|---------|-------------|------|---------|-------------|------|---------|
| M4004461000 | 48   | 42      | NM6060001SC | 34   | 40      | SL4030681SC | 38   | 52      |
| M4005461000 | 48   | 43      | NM6060001SC | 46   | 34      | SL4030681SC | 40   | 52      |
| M4007351000 | 48   | 44      | NM6080001SC | 32   | 27      | SL4030681SC | 42   | 52      |
| M4206461000 | 48   | 11      | NM6080001SC | 48   | 10      | SL4030681SC | 44   | 52      |
| M90175800A0 | 54   | 28~32   | NM6080002SC | 52   | 24      | SL4030881SC | 28   | 5       |
| M90245800A0 | 54   | 28~32   | NM6080721SE | 34   | 25      | SL4030881SC | 38   | 22      |
| M90345800A0 | 54   | 28~32   | NM6120003SE | 34   | 27      | SL4030881SC | 42   | 19      |
| M90355800A0 | 54   | 28~32   | NS6080210SP | 12   | 41      | SL4030881SC | 46   | 30      |
| M964051000A | 36   | 67      | NS6090310SP | 12   | 43      | SL4031081SC | 22   | 29      |
| MAO11532000 | 36   | 55      | NS6110310SP | 4    | 23      | SL4031081SC | 52   | 9       |
| MAO11532000 | 44   | 58      | NS6110360SP | 20   | 65      | SL4031081SF | 48   | 15      |
| MAO11532000 | 52   | 17      | NS6120310SP | 4    | 19      | SL4040881SC | 48   | 28      |
| MAO14506000 | 40   | 48      | NS6150310SP | 12   | 31      | SL4040891SC | 38   | 33      |
| MAO14506000 | 42   | 44      | NS6150430SP | 46   | 23      | SL4040891SC | 42   | 34      |
| MAZ088270A0 | 12   | 38      | RC2500001KP | 22   | 2       | SL4040891SC | 48   | 50      |
| MAZ08828000 | 12   | 20      | RE0200000K0 | 16   | 5       | SL4040891SC | 50   | 50      |
| MAZ08829000 | 12   | 14      | RE0200000K0 | 26   | 69      | SL4041091SC | 4    | 4       |
| MAZ15502000 | 6    | 4·5     | RE0250000K0 | 24   | 42      | SL4041091SC | 36   | 66      |
| MAZ15514000 | 12   | 3       | RE0700000K0 | 12   | 8       | SL4041091SC | 40   | 57      |
| MAZ15515000 | 12   | 27      | RE1200000K0 | 24   | 19      | SL4041091SC | 44   | 55      |
| MAZ15601000 | 8    | 30·31   | SB104001600 | 8    | 6       | SL4041091SC | 48   | 31      |
| MAZ15602000 | 6    | 4·5     | SB108002200 | 8    | 5       | SL4041291SC | 38   | 17      |
| MAZ15801000 | 8    | 30·31   | SB108002300 | 8    | 9       | SL4041291SC | 42   | 14      |
| MAZ16522000 | 12   | 10      | SB110000400 | 28   | 42      | SL4041681SF | 50   | 48      |
| MAZ166070A0 | 12   | 15      | SB115000400 | 16   | 15      | SL4041691SC | 52   | 10      |
| MAZ166070B0 | 12   | 11·12   | SD0500091TP | 8    | 40      | SL4043591SC | 48   | 25      |
| MAZ166080A0 | 12   | 18      | SD0500404SP | 12   | 36      | SL9082091SE | 34   | 12      |
| MAZ166080B0 | 12   | 16·17   | SD0550303TP | 12   | 34      | SM0040601SA | 36   | 53      |
| MDP170B1400 | 8    | 15      | SD0600181TP | 4    | 16      | SM0040601SC | 24   | 2       |
| MDP170B1402 | 58   | 8       | SD0600341TP | 16   | 7       | SM0040601SC | 28   | 3       |
| MTSHJ100003 | 52   | 19      | SD0600401TP | 16   | 11      | SM0040601SC | 32   | 34      |
| NM3040520SC | 48   | 26      | SD0600651TP | 20   | 58      | SM0040601SC | 46   | 1       |
| NM6040001SC | 18   | 47      | SD0601021SP | 16   | 13      | SM0861201SA | 24   | 73      |
| NM6040001SC | 22   | 5       | SD0640261SP | 4    | 17      | SM0861201SA | 26   | 73      |
| NM6040001SC | 24   | 66      | SD0640391TP | 12   | 25      | SM0861201SA | 30   | 67      |
| NM6040001SC | 26   | 66      | SD0700332SP | 46   | 24      | SM1031401SC | 20   | 63      |
| NM6040001SC | 28   | 24      | SD0791271SP | 8    | 20      | SM1040601SC | 30   | 70      |
| NM6040001SC | 46   | 10      | SK3311601SE | 34   | 64      | SM1040650TP | 8    | 47      |
| NM6040001SF | 38   | 26      | SK3311601SE | 36   | 64      | SM1041201SC | 30   | 69      |
| NM6040001SF | 42   | 22      | SK3382001SE | 36   | 68      | SM4030601SN | 32   | 25      |
| NM6040003SC | 4    | 12      | SK3382001SE | 52   | 28      | SM4030801SF | 48   | 45      |
| NM6050001SC | 16   | 23      | SK3452501SE | 38   | 34      | SM4040801SN | 32   | 12      |
| NM6050001SC | 18   | 14      | SK3452501SE | 42   | 30      | SM4041001SC | 38   | 12      |
| NM6050001SC | 22   | 7       | SK3483201SE | 34   | 35      | SM4041001SC | 42   | 9       |
| NM6060001SC | 32   | 5       | SK3512001SE | 52   | 18      | SM4051001SN | 32   | 15      |

NUMERICAL INDEX OF PARTS

| PART NO     | PAGE | REF NO. | PART NO     | PAGE | REF NO. | PART NO     | PAGE | REF NO. |
|-------------|------|---------|-------------|------|---------|-------------|------|---------|
| SM4860501SC | 28   | 8       | SM6066552TP | 34   | 37      | TA1250705R0 | 4    | 2       |
| SM5040601SC | 38   | 38      | SM6083002TN | 48   | 7       | WP0280500SC | 28   | 9       |
| SM5040601SC | 42   | 33      | SM6083002TN | 58   | 30      | WP0320500SC | 30   | 59      |
| SM5040855SN | 6    | 13      | SM6084002TN | 52   | 20      | WP0320500SC | 32   | 24      |
| SM5040855SN | 36   | 70      | SM8030402TP | 24   | 30      | WP0370316SD | 58   | 25      |
| SM6030500SN | 8    | 46      | SM8040402TP | 22   | 30      | WP0430800SC | 16   | 16      |
| SM6030602TP | 14   | 53      | SM8040402TP | 30   | 52      | WP0430800SC | 18   | 49      |
| SM6030802TP | 28   | 57      | SM8040602TP | 16   | 32      | WP0430800SC | 20   | 49      |
| SM6030802TP | 30   | 57      | SM8040602TP | 18   | 18      | WP0430800SC | 24   | 65      |
| SM6031202TP | 18   | 8       | SM8040602TP | 22   | 22      | WP0430800SC | 26   | 65      |
| SM6031402TP | 18   | 38      | SM8040802TP | 48   | 46      | WP0430800SC | 28   | 36      |
| SM6040650TP | 4    | 1       | SM8042502TP | 24   | 11      | WP0430800SC | 32   | 13      |
| SM6040802TN | 40   | 58      | SM8050502TP | 28   | 13      | WP0430801SC | 20   | 59      |
| SM6040802TN | 44   | 51      | SM8050602TP | 16   | 9       | WP0450801SD | 4    | 5       |
| SM6040802TP | 16   | 39      | SM8050602TP | 18   | 2       | WP0450801SD | 32   | 29      |
| SM6040802TP | 26   | 63      | SM8050602TP | 22   | 26      | WP0450846SP | 8    | 25      |
| SM6040802TR | 24   | 13      | SM8050602TP | 28   | 44      | WP0501016SD | 6    | 7       |
| SM6040802TR | 28   | 34      | SM8050612TP | 16   | 42      | WP0501016SD | 12   | 24      |
| SM6041002TP | 18   | 31      | SM8050612TP | 22   | 12      | WP0531000SC | 32   | 30      |
| SM6041002TP | 24   | 47      | SM8050812TP | 22   | 16      | WP0531000SC | 46   | 33      |
| SM6041002TP | 30   | 55      | SM8050842TP | 22   | 31      | WP0531000SD | 14   | 48      |
| SM6041202TP | 14   | 56      | SM8086012TP | 32   | 10      | WP0611626SP | 36   | 60      |
| SM6041202TP | 18   | 27      | SM9040600SP | 46   | 11      | WP0612056SD | 34   | 38      |
| SM6041202TP | 24   | 62      | SM9042510SC | 46   | 2       | WP0612516SD | 12   | 55      |
| SM6041202TP | 26   | 62      | SM9061203SE | 34   | 19      | WP0612516SD | 14   | 55      |
| SM6041202TP | 28   | 38      | SM9082023SE | 34   | 22      | WP0621036SP | 36   | 72      |
| SM6041402TP | 18   | 35      | SM9086523SE | 34   | 31      | WP0641600SC | 22   | 19      |
| SM6042002TP | 18   | 23      | SS1060210TP | 8    | 39      | WP0641600SC | 26   | 53      |
| SM6042502TP | 18   | 41      | SS4110815SP | 32   | 3       | WP0641600SC | 32   | 6       |
| SM6050802TP | 16   | 37      | SS6080340SP | 58   | 29      | WP0651646SC | 34   | 39      |
| SM6051202TP | 14   | 60      | SS6110430TP | 8    | 27      | WP0671016SE | 34   | 20      |
| SM6051202TP | 28   | 54      | SS6111052TP | 18   | 25      | WP0841601SC | 32   | 28      |
| SM6051202TP | 30   | 54      | SS7060310SP | 4    | 22      | WP0841601SC | 48   | 9       |
| SM6051402TP | 18   | 10      | SS7090410SP | 8    | 28      | WP0841601SC | 52   | 22      |
| SM6051602TP | 14   | 50      | SS7090410SP | 12   | 19      | WP0852086SC | 52   | 21      |
| SM6051602TP | 28   | 41      | SS7091480SP | 12   | 37      | WP0871602SE | 34   | 28      |
| SM6051602TP | 46   | 31      | SS7110740TP | 8    | 26      | WS0310002KN | 18   | 39      |
| SM6052002TP | 28   | 31      | SS7111120TP | 4    | 9       | WS0310002KN | 30   | 58      |
| SM6052502TP | 16   | 18      | SS9090813TP | 58   | 26      | WS0410002KN | 14   | 49      |
| SM6061202TP | 12   | 46      | SS9091010SP | 12   | 5       | WS0410002KN | 16   | 40      |
| SM6061602TP | 26   | 70      | SS9110460CP | 12   | 22      | WS0410002KN | 18   | 60      |
| SM6061802TP | 8    | 16      | SS9110543CP | 6    | 6       | WS0410002KN | 20   | 60      |
| SM6062002TP | 22   | 33      | SS9151120CP | 14   | 54      | WS0410002KN | 24   | 67      |
| SM6062502TP | 36   | 59      | SS9621413SP | 12   | 23      | WS0410002KN | 26   | 67      |
| SM6063002TP | 16   | 27      | SV4030601SR | 48   | 47      | WS0410002KN | 28   | 35      |

## NUMERICAL INDEX OF PARTS

| PART NO     | PAGE | REF NO. |
|-------------|------|---------|
| WS0410002KN | 36   | 51      |
| WS0410002KS | 4    | 13      |
| WS0451040KP | 4    | 6       |
| WS0510002KN | 16   | 19      |
| WS0510002KN | 46   | 32      |
| WS0510002KP | 14   | 62      |
| WS0510002KS | 18   | 13      |
| WS0610002KN | 16   | 28      |
| WS0610002KN | 22   | 34      |
| WS0610002KN | 26   | 71      |
| WS0610002KN | 32   | 7       |
| WS0621210KR | 34   | 21      |
| WS0820002KR | 48   | 8       |
| WS0820002KR | 52   | 23      |
| WS0861410KR | 34   | 29      |
| WZ0640200KP | 4    | 18      |