

MODEL : DDL-8700A-7

List No : 1582-00

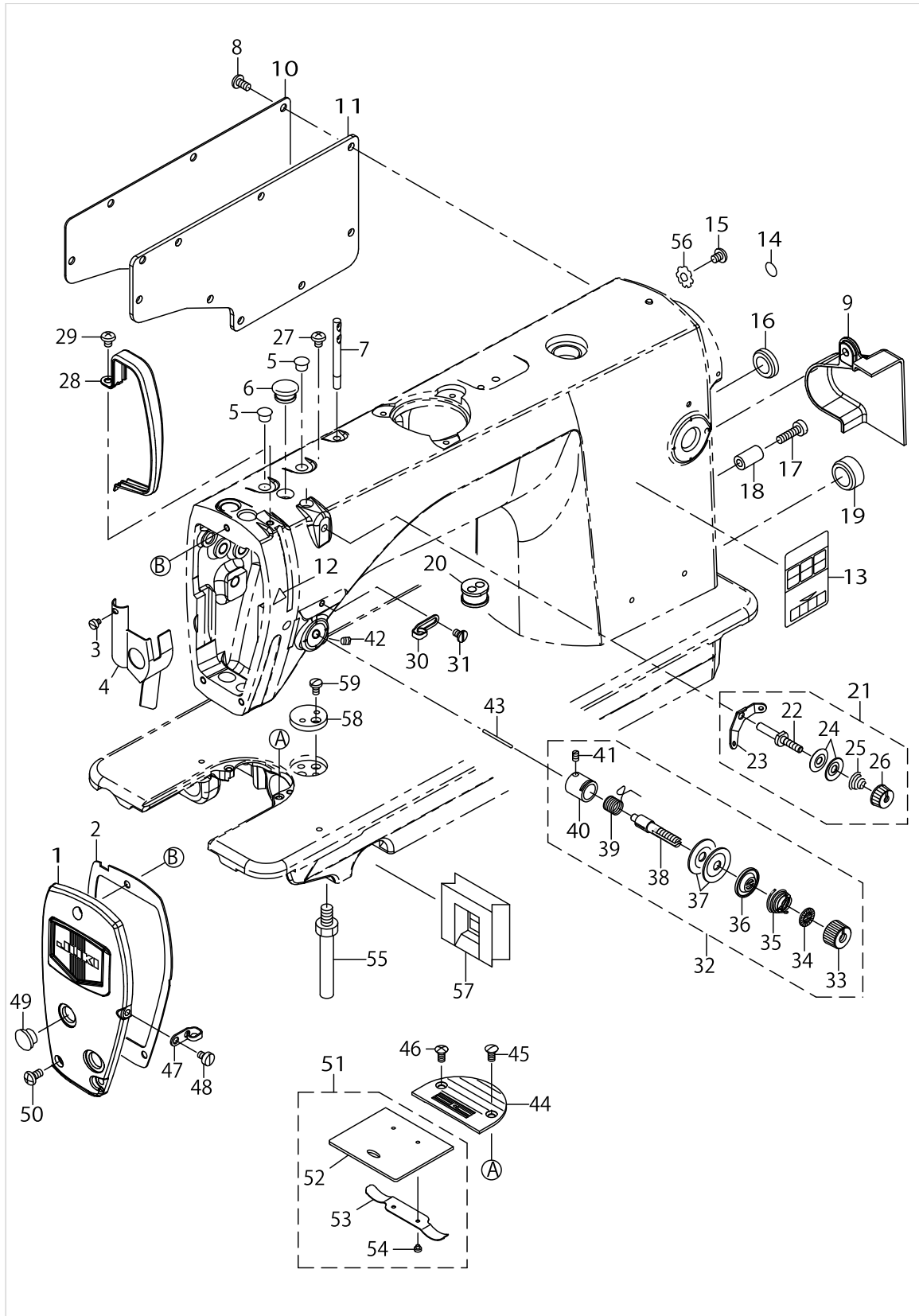
PARTS LIST

Published:09/10/2017

CONTENTS

MACHINE FRAME & MISCELLANEOUS COVER COMPONENTS	1
BOBBIN WINDER COMPONENTS.....	5
MAIN SHAFT & THREAD TAKE-UP LEVER COMPONENTS	7
NEEDLE BAR, UPRIGHT SHAFT & HOOK DRIVING SHAFT COMPONENTS	9
HAND LIFTER COMPONENTS	11
FEED MECHANISM COMPONENTS.....	13
THREAD TRIMMER COMPONENTS	17
AUTOMATIC REVERSE FEED COMPONENTS.....	21
WIPER COMPONENTS.....	23
OIL LUBRICATION COMPONENTS	25
OIL RESERVOIR COMPONENTS	27
PSC UNIT.....	29
THREAD STAND COMPONENTS.....	33
EXCLUSIVE PARTS FOR DDL-8700AH-7.....	35
HOW TO MAKE USE OF THIS PARTS LIST	37

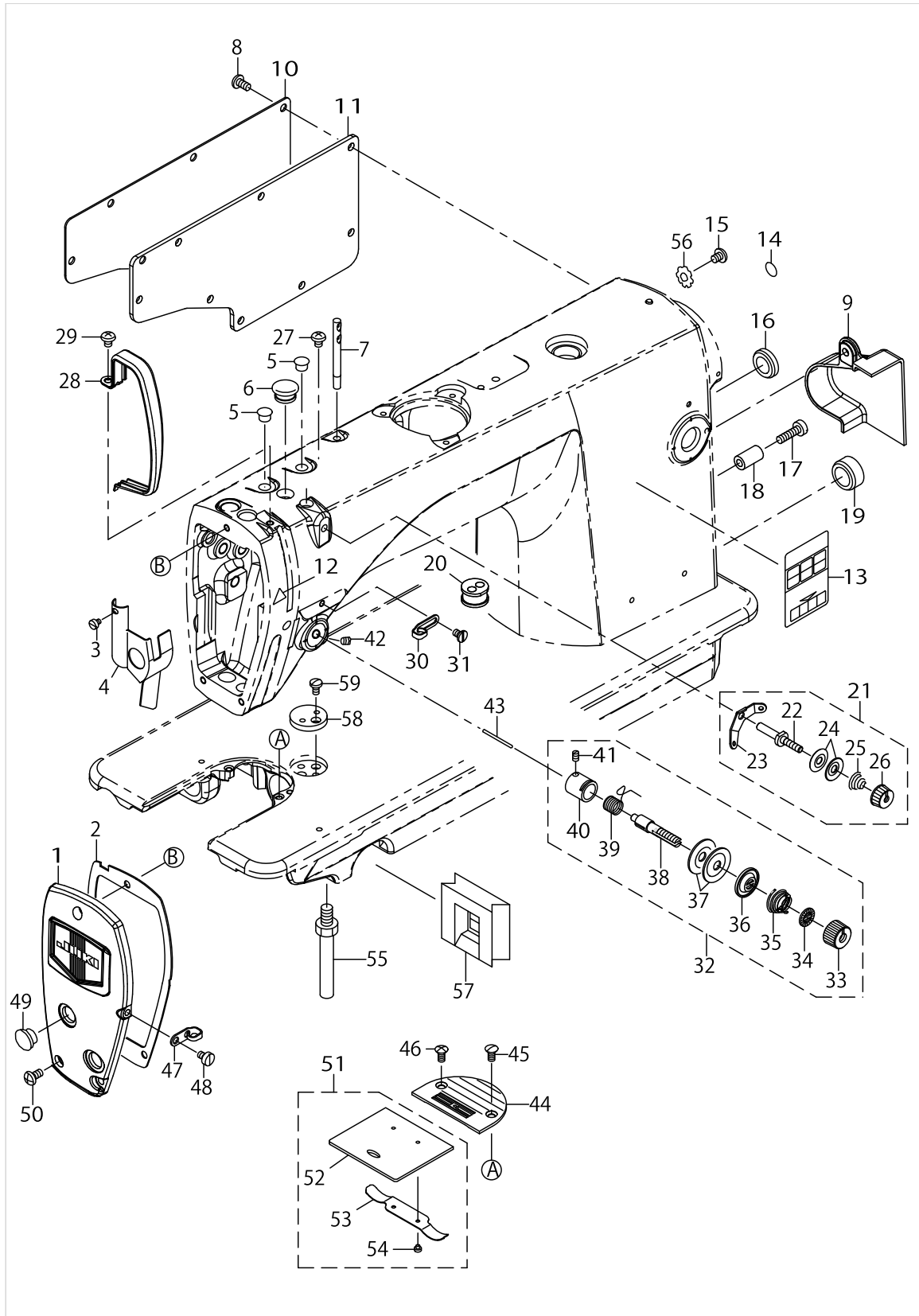
MACHINE FRAME & MISCELLANEOUS COVER COMPONENTS



MACHINE FRAME & MISCELLANEOUS COVER COMPONENTS

No.	Parts No.	Parts name	Remarks	Level	Cons	Qty
1	40102097	FACE_PLATE_ASM				1
2	40012126	FACE PLATE PACKING				1
3	SS6080410SP	SCREW 1/8-44 L=4				1
4	22900757	FACE PLATE OIL SHIELD ASM.				1
5	TA0850604R0	RUBBER PLUG				2
6	TA1250705R0	RUBBER PLUG				1
7	22958300	NEEDLE THREAD GUIDE PIN				1
8	SS4120915SP	SCREW 3/16-28 L=9				8
9	40110987	LEVER_COVER				1
10	22900401	WINDOW PLATE				1
11	40012129	SIDE PLATE PACKING				1
12	CM300200001	ATTENTION SEAL				1
13	CM301200001	SAFETY LABEL_S				1
14	22901805	GROUND MARK				1
15	SS4120615SP	SCREW 3/16-28 L=6				1
16	TA2000502R0	RUBBER PLUG				1
17	SS6121840SP	SCREW 3/16-28 L=18				1
18	22952501	BACK LEVER STOPPER				1
19	TA2101002R0	RUBBER PLUG				1
20	40093432	MAGNET CORD RUBBER				1
21	22945463	THREAD TENSION ASM. ,NO.1				1
22	22945414	THREAD TENSION POST		*		1
23	22945604	THREAD TENSION GUIDE		*		1
24	22945802	THREAD TENSION DISK		*		2
25	22945505	THREAD TENSION SPRING		*		1
26	22945703	THREAD TENSION NUT		*		1
27	SS4120615SP	SCREW 3/16-28 L=6				1
28	22900609	THREAD TAKE-UP LEVER COVER				1
29	SS4120615SP	SCREW 3/16-28 L=6				1
30	22920508	ARM THREAD GUIDE A				1
31	22921001	SCREW				1
32	22945356	THREAD TENSION ASM.				1
33	22921308	THREAD TENSION NUT		*		1
34	22921407	ROTATION STOPPER		*		1
35	22921704	THREAD TENSION SPRING, A		*		1
36	22921803	DISK STOPPER		*		1
37	22921506	THREAD TENSION DISK		*		2
38	22921209	THREAD TENSION POST		*		1
39	22921605	THREAD TAKE-UP SPRING		*		1
40	22945307	THREAD TENSION POST BASE		*		1
41	SS8090670SP	SCREW 9/64-40 L= 5.5		*		1
42	SS8150710TP	SCREW 15/64-28 L=7				1
43	22920904	TENSION RELEASING				1
44	B1109552000	THROAT PLATE				1
45	SS2110920TP	SCREW 11/64-40 L=8.5				1
46	SS2110915SP	SCREW 11/64-40 L=8.5				1
47	22920607	ARM THREAD GUIDE B				1

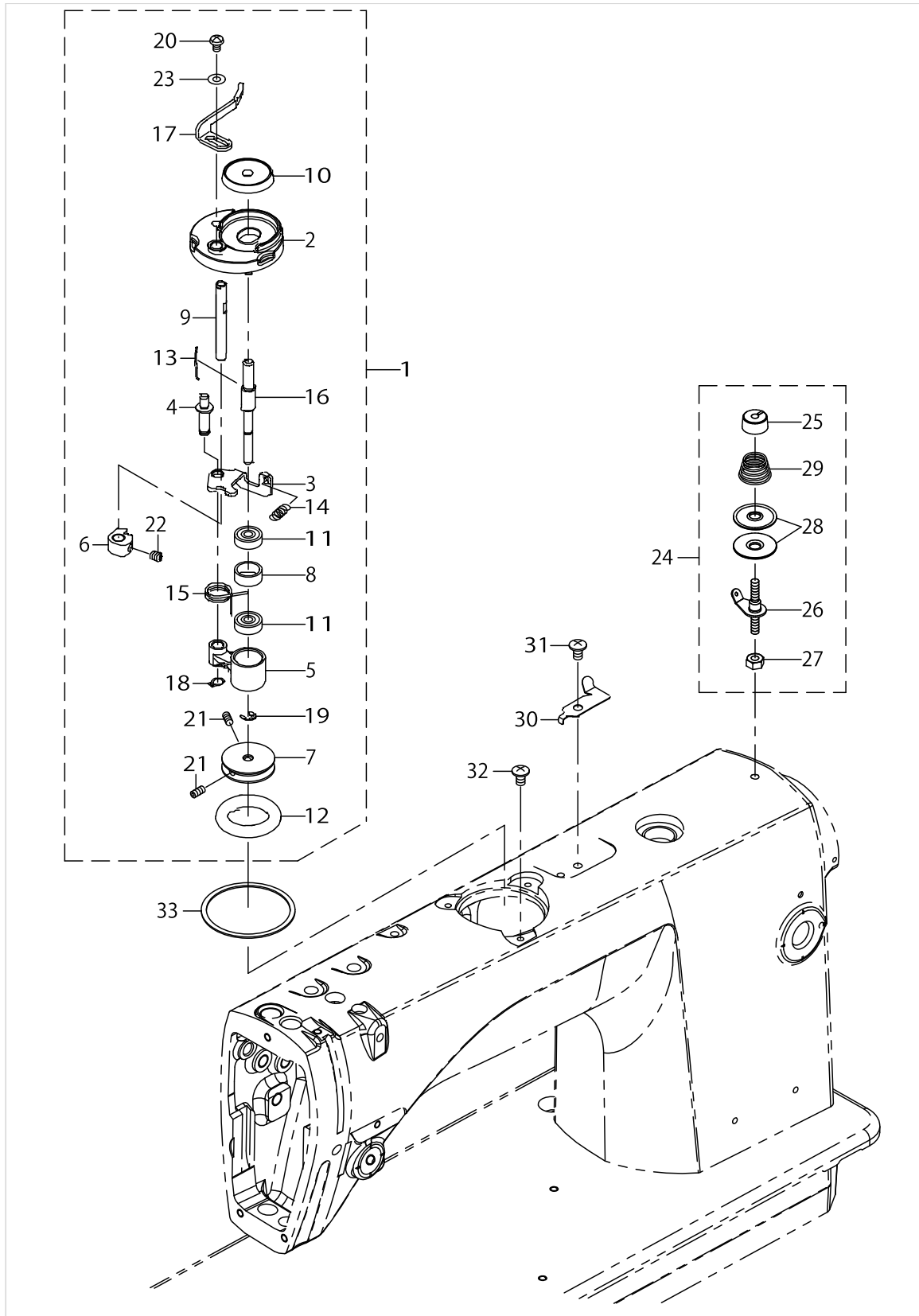
MACHINE FRAME & MISCELLANEOUS COVER COMPONENTS



MACHINE FRAME & MISCELLANEOUS COVER COMPONENTS

No.	Parts No.	Parts name	Remarks	Level	Cons	Qty
48	SS6110610TP	SCREW 11/64-40 L=6				1
49	TA1250406R0	RUBBER PLUG D=12.5 L=4				2
50	SS4120915SP	SCREW 3/16-28 L=9				3
51	22901250	SLIDE PLATE ASM.				1
52	22901201	SLIDE PLATE		*		1
53	22901300	SLIDE PLATE SPRING		*		1
54	SS6060210SP	SCREW 3/32-56 L= 1.9		*		2
55	22901003	BED SCREW STUD				4
56	WT0530002KS	TOOTHED WASHER D=5.3				1
57	22935407	BED OIL SHIELD RUBBER				1
58	40099083	RULER STOP SEAT				1
59	SS7110720SP	SCREW 11/64-40 L=7				2

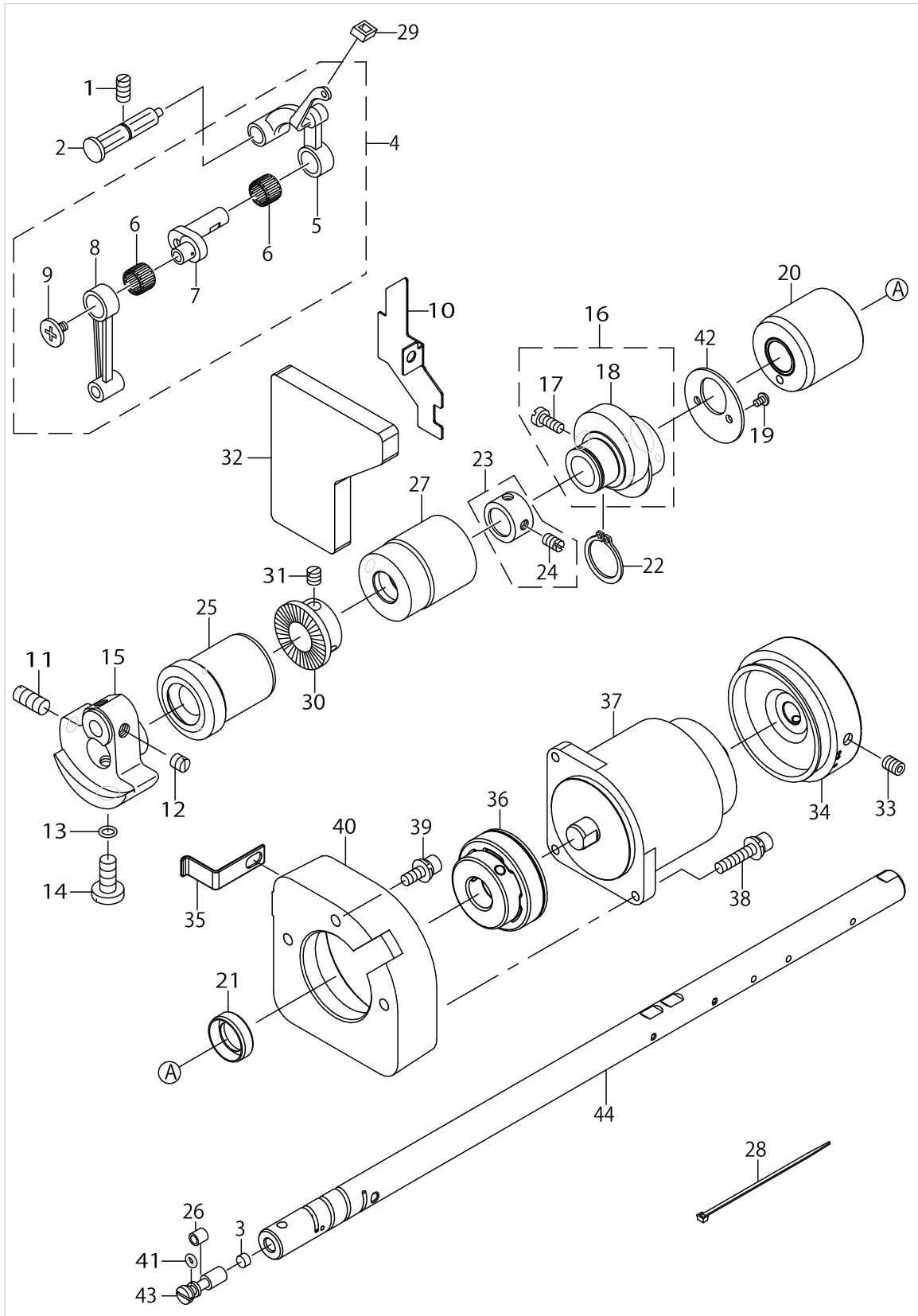
BOBBIN WINDER COMPONENTS



BOBBIN WINDER COMPONENTS

No.	Parts No.	Parts name	Remarks	Level	Cons	Qty
1	40110976	BOBBIN_WINDER_UNIT				1
2	26260109	BTW_BASE		*		1
3	26260208	BTW_CAM_PLATE		*		1
4	26260307	BTW_BASE_SHAFT		*		1
5	26260406	BTW_SHAFT_BASE		*		1
6	26260505	BTW_CAM_LEVER		*		1
7	26260604	BTW_WHEEL		*		1
8	26260802	BTW_BEARING_SPACER		*		1
9	26261008	BTW_LEVER_SHAFT		*		1
10	26261206	BTW_SPACER		*		1
11	26261305	BTW_BEARING		*		2
12	26261503	BTW_WHEEL_RUBBER		*		1
13	26261602	BOBBIN_SPRING		*		1
14	26261701	BTW_SPRING		*		1
15	40011144	BTW_TORSION_SPRING		*		1
16	40110975	BTW_SHAFT		*		1
17	40021933	BTW_LEVER		*		1
18	RC0560711KP	RETAINING RING		*		1
19	RE0400000K0	E-RING 4		*		1
20	SM5040655SN	SCREW		*		1
21	SM8040802TP	SCREW M4X8		*		2
22	SM8050502TP	SCREW M5 L=5		*		1
23	WP0450826SC	WASHER 4.5X10X0.8		*		1
24	40110731	BOBBIN_THREAD_TENSION_ASSY				1
25	22945703	THREAD TENSION NUT		*		1
26	40110734	BOBBIN_THREAD_ROD_ASSY		*		1
27	NS6120630SP	NUT 3/16-28		*		1
28	22921506	THREAD TENSION DISK		*		2
29	D7133555B00	CONNECTING ROD SPRING		*		1
30	40037008	THREAD_CUTTER				1
31	SM0050801SC	SCREW				1
32	SM0050801SC	SCREW				3
33	22538706	PACKING				1

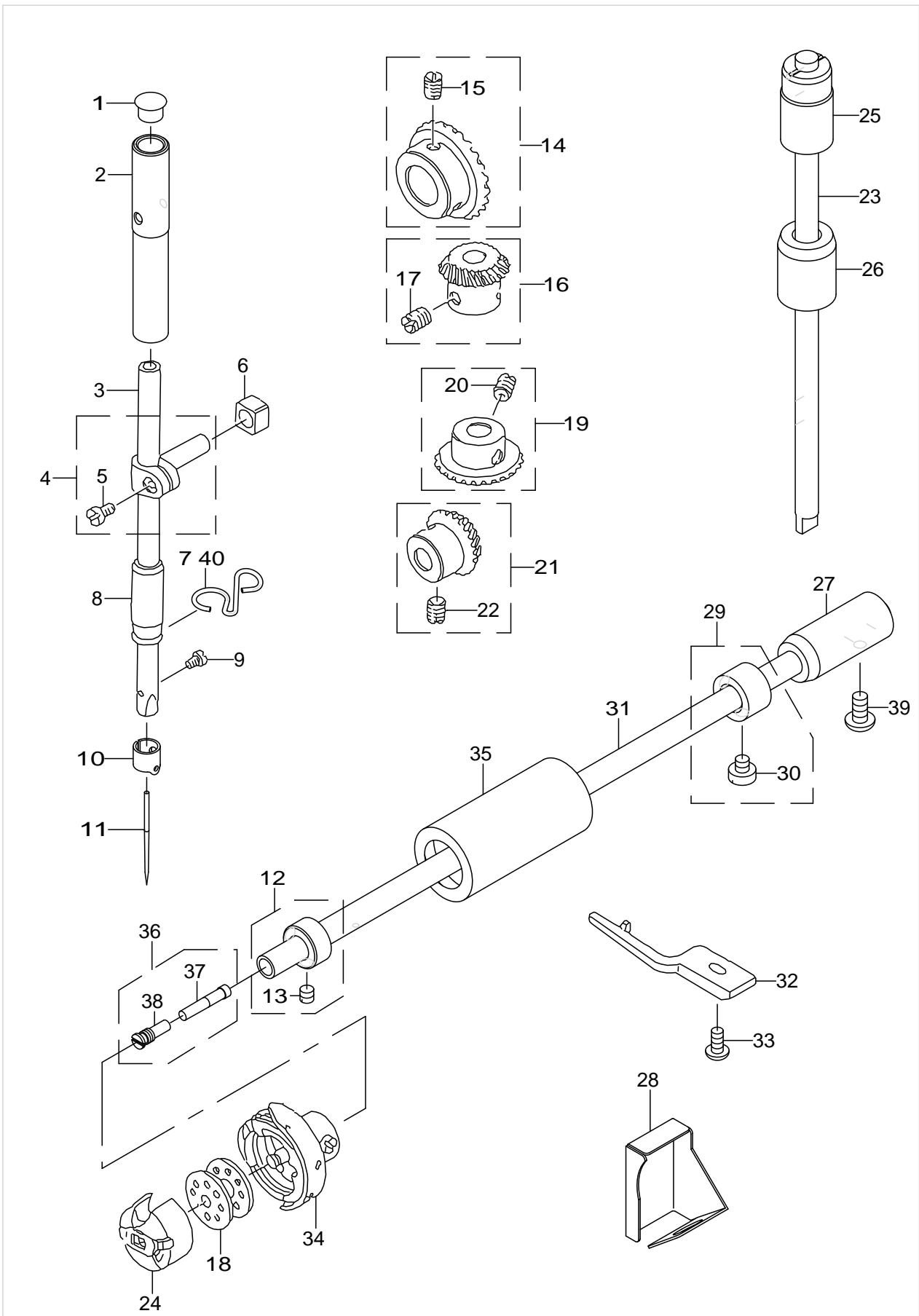
MAIN SHAFT & THREAD TAKE-UP LEVER COMPONENTS



MAIN SHAFT & THREAD TAKE-UP LEVER COMPONENTS

No.	Parts No.	Parts name	Remarks	Level	Cons	Qty
1	SS8151150TP	SCREW 15/64-28 L=10.5				1
2	22919559	THREAD TAKE-UP CRANK SHAFT ASM.				1
3	11002904	ROLLER FELT				1
4	11039070	THREAD TAKE-UP LEVER ASM.				1
5	11039062	THREAD TAKE-UP LEVER ASM.		*		1
6	B1905541B00	NEEDLE BEARING		*		2
7	11005204	NEEDLE BAR CRANK		*		1
8	B1408552000	NEEDLE BAR CRANK ROD		*		1
9	B1903552000	LEFT SCREW		*		1
10	40111423	OIL_SHIELD_PLATE				1
11	SS8681650TP	SCREW 9/32-28 L=16				1
12	SS8660610TP	SCREW 1/4-40 L=6				2
13	RO044240100	RUBBER RING				1
14	SS7681650TP	SCREW 9/32-28 L=16				1
15	40110376	COUNTER_WEIGHT				1
16	22910053	FEED DRIVE ECCENTRIC CAM ASM.				1
17	SS6661110SP	SCREW 1/4-40 L=11		*		2
18	22910004	FEED DRIVE ECCENTRIC CAM		*		1
19	SS4090615SP	SCREW 9/64-40 L=6				2
20	40110978	MAIN_SHAFT_BUSHING				1
21	22888002	OIL SEAL				1
22	RC1850001KP	SNAP RING 18.5				1
23	22904155	MAIN SHAFT THRUST COLLAR ASM.				1
24	SS8660610TP	SCREW 1/4-40 L=6		*		2
25	22903207	MAIN SHAFT BUSHING, FRONT				1
26	B1215552000	OIL ADJUSTING COLLAR				1
27	22903306	BUSHING,INTERMEDIATE				1
28	EA9500B0100	CABLE BAND				1
29	22919203	OIL PROTECTING RUBBER				1
30	22538805	DRIVING WHEEL				1
31	SS8660610TP	SCREW 1/4-40 L=6				2
32	40111424	FILTER				1
33	SM80608A2TP	SCREW M6 L=8				2
34	40111872	HAND_PULLEY				1
35	40111001	CORD_STOPPER				1
36	40111025	COUPLING_ASM.				1
37	40111203	SERVO MOTOR				1
38	SL6052592TN	BOLT				3
39	SL6051492TN	BOLT				3
40	40110979	MAIN_MOTOR_BASE_76				1
41	RO029180100	RUBBER RING				1
42	22910103	THRUST COLLAR				1
43	22903900	ADJUSTING PIN				1
44	40110977	MAIN_SHAFT				1

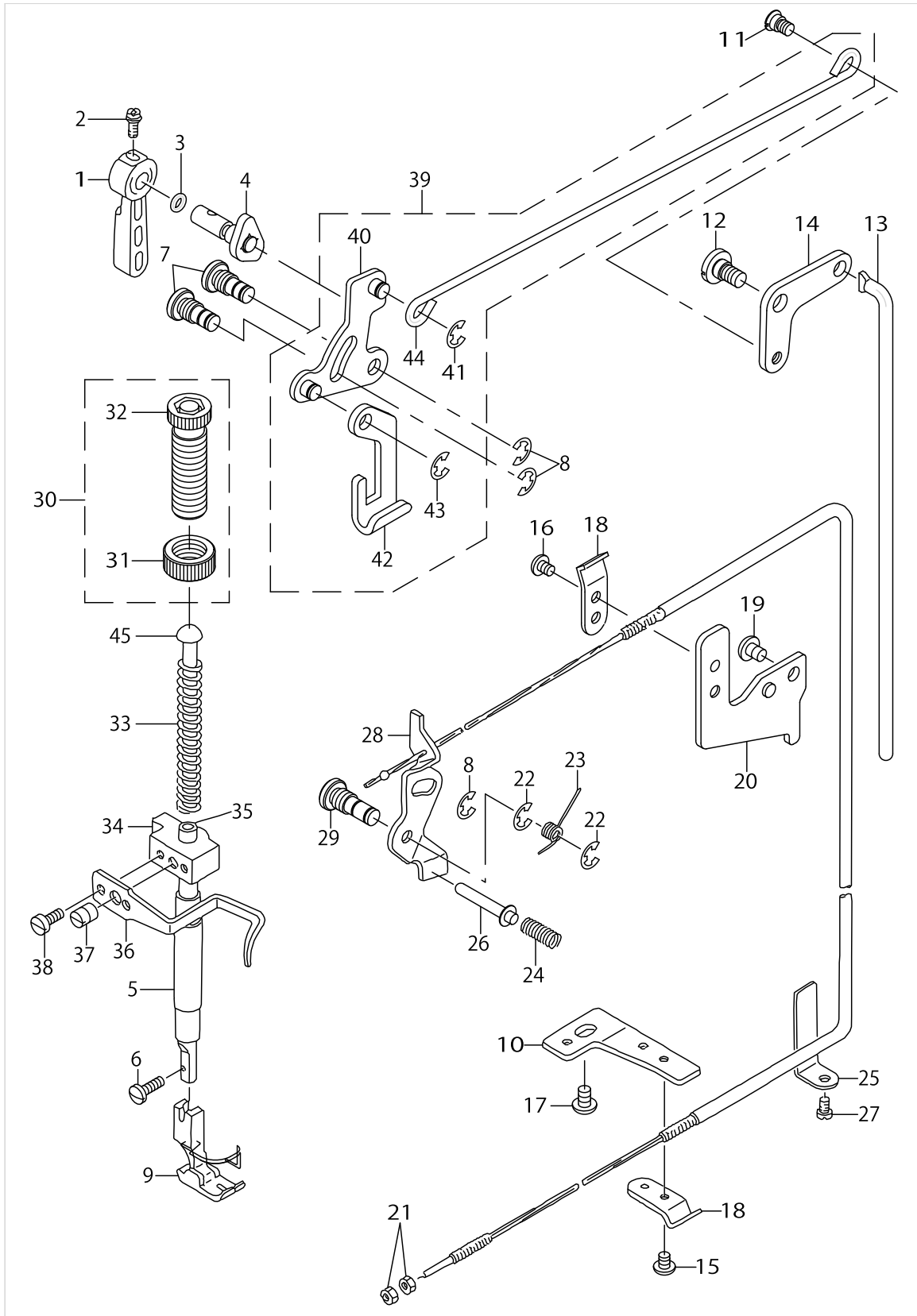
NEEDLE BAR, UPRIGHT SHAFT & HOOK DRIVING SHAFT COMPONENTS



NEEDLE BAR, UPRIGHT SHAFT & HOOK DRIVING SHAFT COMPONENTS

No.	Parts No.	Parts name	Remarks	Level	Cons	Qty
1	TA0850604R0	RUBBER PLUG				1
2	22906101	NEEDLE BAR BUSHING, UPPER				1
3	22939508	NEEDLE BAR				1
4	22906457	NEEDLE BAR HOLDER ASM.				1
5	SS6090670TP	SCREW 9/64-40 L=6		*		1
6	40090058	SLIDE BLOCK				1
7	40012444	NEEDLE BAR THREAD GUIDE				1
8	22906200	NEEDLE BAR BUSHING, LOWER				1
9	SS7080510TP	SCREW 1/8-44 L=4.5				1
10	22906309	NEEDLE BAR THREAD GUIDE				1
11	MDB100B1400	NEEDLE DBX1 #14				1
12	40101694	THRUST_COLLAR_ASM_FRONT				1
13	SS8110410TP	SCREW 11/64-40 L= 3.5		*		2
14	40090002	UPPER LARGE BEVEL GEAR ASM.				1
15	SS8660810TP	SCREW 1/4-40 L=8		*		2
16	40090003	UPPER SMALL BEVEL GEAR ASM.				1
17	SS8660810TP	SCREW 1/4-40 L=8		*		2
18	22932909	BOBBIN				1
19	40090004	LOWER LARGE BEVEL GEAR ASM.				1
20	SS8660810TP	SCREW 1/4-40 L=8		*		2
21	40090005	LOWER SMALL BEVEL GEAR ASM.				1
22	SS8660810TP	SCREW 1/4-40 L=8		*		2
23	22905004	UPRIGHT SHAFT				1
24	11038759	BOBBIN CASE ASM.				1
25	22905103	UPRIGHT SHAFT BUSHING, UPPER				1
26	22905202	UPRIGHT SHAFT BUSHING, LOWER				1
27	22916308	HOOK DRIVING SHAFT BUSH, REAR				1
28	22942601	OIL SHIELD				1
29	22917157	THRUST COLLAR ASM., REAR				1
30	SS6110420TP	SCREW 11/64-40 L=4.8		*		2
31	22916001	HOOK DRIVING SHAFT				1
32	22942502	INNER HOOK PRESSER	FOR DDL-8700AS-7			1
33	SS4110915TP	SCREW 11/64-40 L=9	FOR DDL-8700AS-7			1
34	11038650	HOOK ASM.				1
35	22916100	HOOK DRIVING SHAFT BUSH, FRONT				1
36	22916555	OIL SEAL SCREW ASM.				1
37	11015906	OIL WICK		*		1
38	22916506	SET SCREW		*		1
39	SS4120915SP	SCREW 3/16-28 L=9				1
40	22920805	NEEDLE BAR THREAD GUIDE	FOR DDL-8700AS-7			1

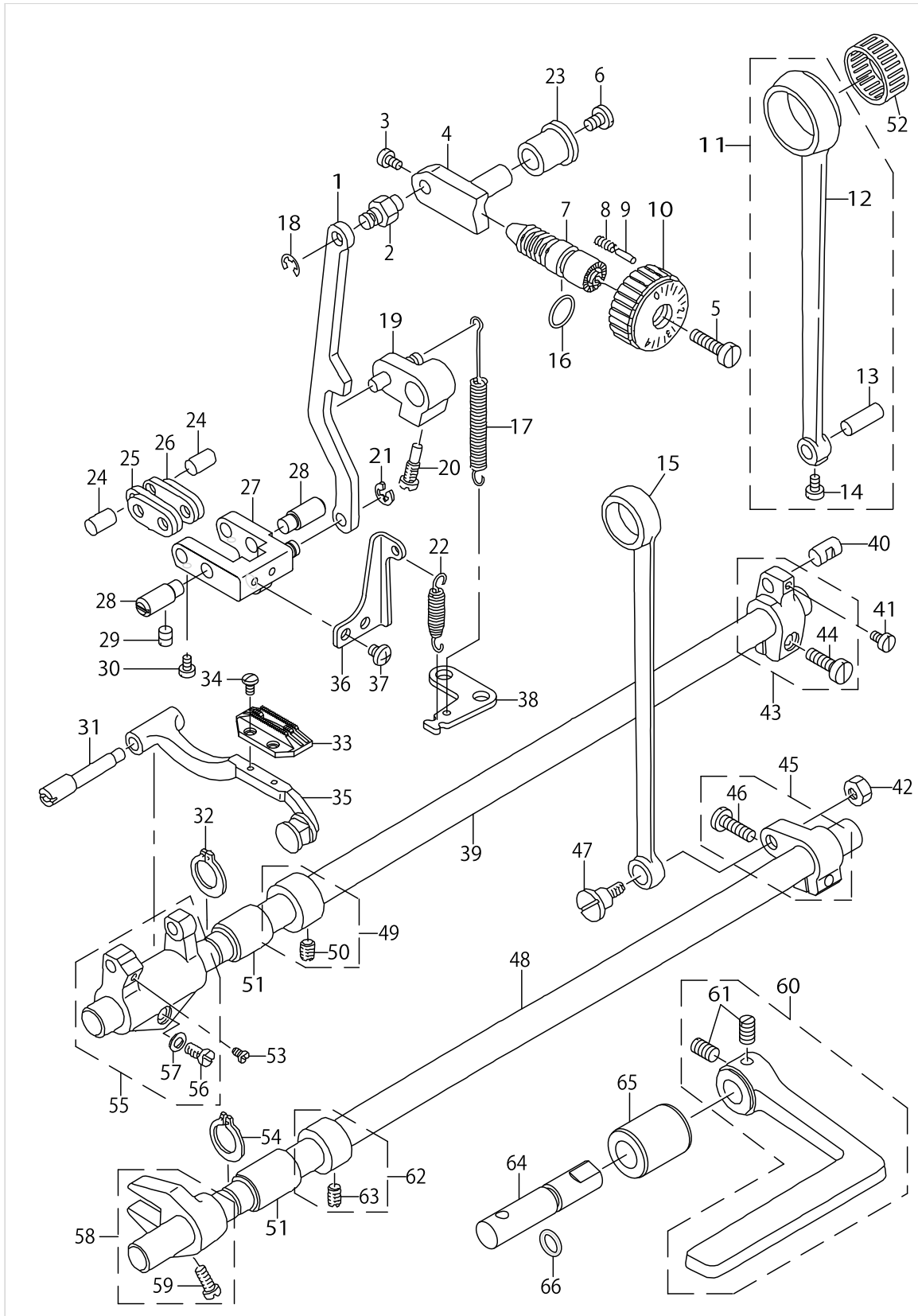
HAND LIFTER COMPONENTS



HAND LIFTER COMPONENTS

No.	Parts No.	Parts name	Remarks	Level	Cons	Qty
1	22907802	HAND LIFTER				1
2	B1521555000	SCREW				1
3	RO037180100	RUBBER RING				1
4	22908552	HAND LIFTER CAM ASM.				1
5	40060989	PRESSER BAR BUSHING LOWER				1
6	SS7091110TP	SCREW 9/64-40 L=10.5				1
7	22908701	LINK SHAFT				2
8	RE0500000K0	E-RING				3
9	B15240120BA	PRESSER FOOT ASM.				1
10	22944706	WIRE PRESSER BASE, LOWER				1
11	22908909	HINGE SCREW				1
12	SD0720331SP	HINGE SCREW D= 7.24 H= 3.3				1
13	22909006	KNEE LIFTER CONNECTING ROD				1
14	22908800	KNEE LIFTER LINK				1
15	SS4110515SP	SCREW 11/64-40 L=5				1
16	SS4110515SP	SCREW 11/64-40 L=5				1
17	SS4150915SP	SCREW 15/64-28 L=9				1
18	22944508	WIRE PRESSER A				2
19	SS4120615SP	SCREW 3/16-28 L=6				1
20	22944607	WIRE PRESSER BASE, UPPER				1
21	NS6620310SP	NUT 3/16-32				2
22	RE0500000K0	E-RING				2
23	22920201	RETURN SPRING				1
24	22920409	THREAD RELEASE PIN SPRING				1
25	22945109	WIRE CABLE SUPPORT				1
26	22920300	THREAD RELEASE SUPPORTING PIN				1
27	SS4120615SP	SCREW 3/16-28 L=6				1
28	22944854	THREAD RELEASE WIRE ASM.				1
29	22920102	TENSION RELEASE SHAFT				1
30	22907554	PRESSER SPRING REGULATOR ASM.¥n				1
31	22907604	PRESSER SPRING REGULATOR NUT		*		1
32	22907505	PRESSER SPRING REGULATOR		*		1
33	22907406	PRESSER SPRING				1
34	22907208	PRESSER BAR GUIDE BRACKET				1
35	40017805	PRESSER BAR				1
36	22907307	THREAD GUIDE	FOR DDL-8700AS-7			1
37	SS8660810TP	SCREW 1/4-40 L=8				1
38	SS6090910SP	SCREW 9/64-40 L=9				2
39	22908354	KNEE LIFTING CROSS ROD ASM.				1
40	22908156	LIFTING LINK ASM.		*		1
41	RE0500000K0	E-RING		*		1
42	22908008	LIFTING PLATE		*		1
43	RE0500000K0	E-RING		*		1
44	22908305	KNEE LIFTER SIDE ROD		*		1
45	22907703	PRESSER GUIDE BAR				1

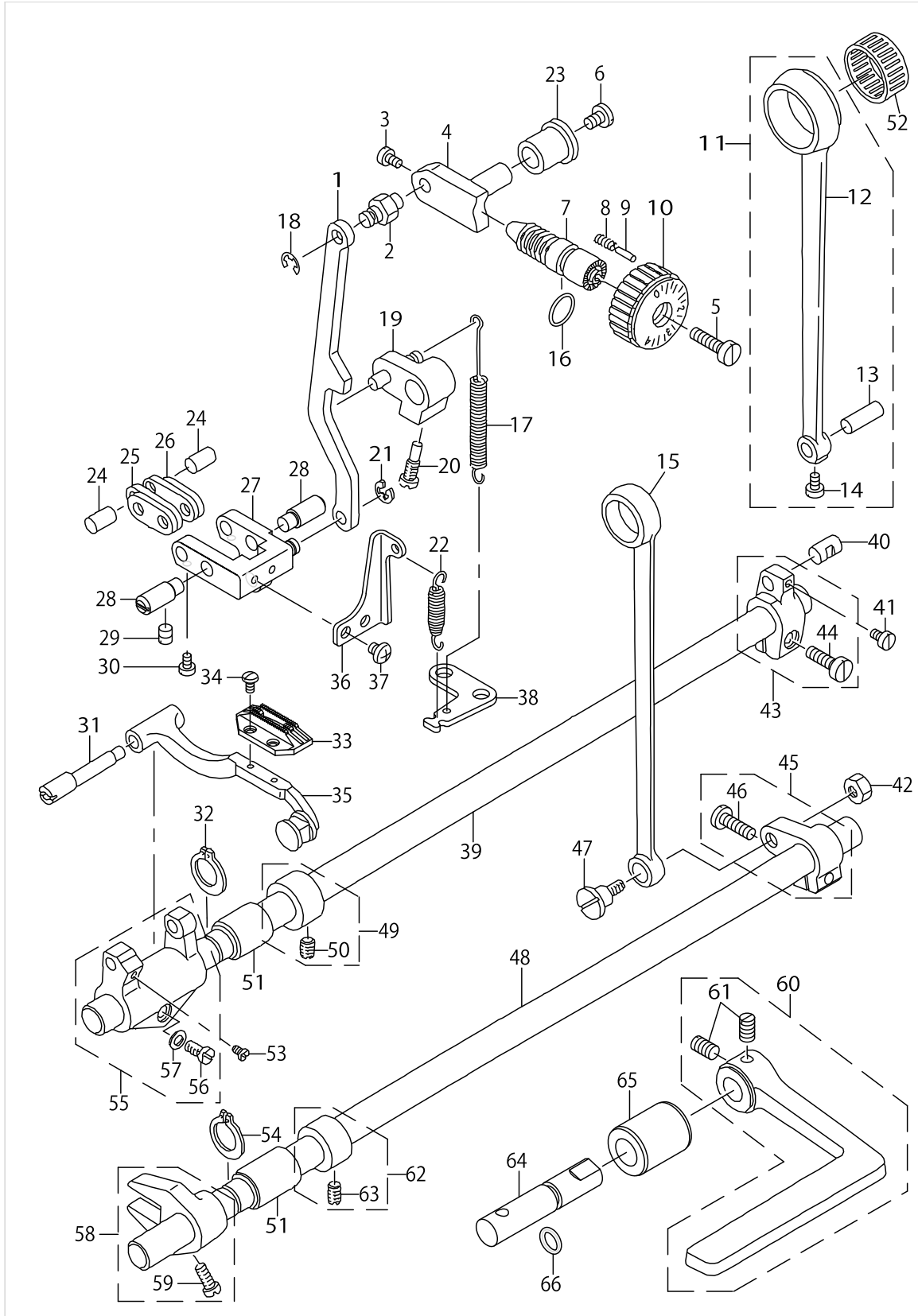
FEED MECHANISM COMPONENTS



FEED MECHANISM COMPONENTS

No.	Parts No.	Parts name	Remarks	Level	Cons	Qty
1	22941108	FEED ADJUST ROD				1
2	22911507	WALKING FOOT PIN C	FOR DDL-8700AS-7			1
3	SS6090670TP	SCREW 9/64-40 L=6				2
4	22911606	FEED REGULATOR	FOR DDL-8700AS-7			1
5	SS6121860SP	SCREW 3/16-28 L=18				1
6	SS7120770SH	SCREW 3/16-28 L=7				1
7	22911804	FEED REGULATOR SCREW				1
8	22912109	FEED REGULATOR PIN SPRING				1
9	22912000	FEED REGULATOR PIN				1
10	22940506	FEED DIAL				1
11	22910251	CONNECTING ROD ASM.				1
12	22910202	ROCKER SHAFT CONNECTING ROD		*		1
13	22911101	WALKING FOOT PIN C		*		1
14	SS6090620TP	SCREW		*		1
15	22915003	CONNECTING ROD				1
16	RO092270200	RUBBER RING				1
17	11010311	LEVER SPRING¥n				1
18	RE0500000K0	E-RING				1
19	22912257	FEED REVERSE ARM ASM.				1
20	22912505	FEED REVERSE ARM SCREW				1
21	RE0500000K0	E-RING				1
22	11037405	SPRING	FOR DDL-8700AS-7			1
23	11009800	FEED REGULATOR BUSHING				1
24	22910905	WALKING FOOT PIN A				2
25	40089548	CONNECTING LINK B				2
26	40093417	CONNECTING LINK A				2
27	22940951	FEED ADJUST LINK ASM.				1
28	22910806	ADJUST LINK FULCRUM SHAFT A				2
29	SS8150710TP	SCREW 15/64-28 L=7				2
30	SS6090620TP	SCREW				2
31	40101462	FEED BASE SHAFT				1
32	RC0150001KP	RETAINING RING 13.8				1
33	B1613012I00	FEED DOG I				1
34	SS4080620TP	SCREW 1/8-44 L=6				2
35	22940753	FEED BAR ASM.				1
36	22941306	REGULATOR LINK SPRING HOOK				1
37	SS4110515SP	SCREW 11/64-40 L=5				2
38	22913701	FEED SPRING HOOK				1
39	22912901	FEED ROCKER SHAFT				1
40	22911002	WALKING FOOT PIN B				1
41	SS6090620TP	SCREW				1
42	NS6680410SP	NUT 9/32-28				1
43	22910350	FEED ROCKER SHAFT CRANK ASM.				1
44	SS6121610SP	SCREW 3/16-28 L=15.5		*		1
45	22915151	FEED ARM COMPL.				1
46	SS6121210SP	SCREW 3/16-28 L=12		*		1
47	SD1000801SH	HINGE SCREW D=10 H=8				1

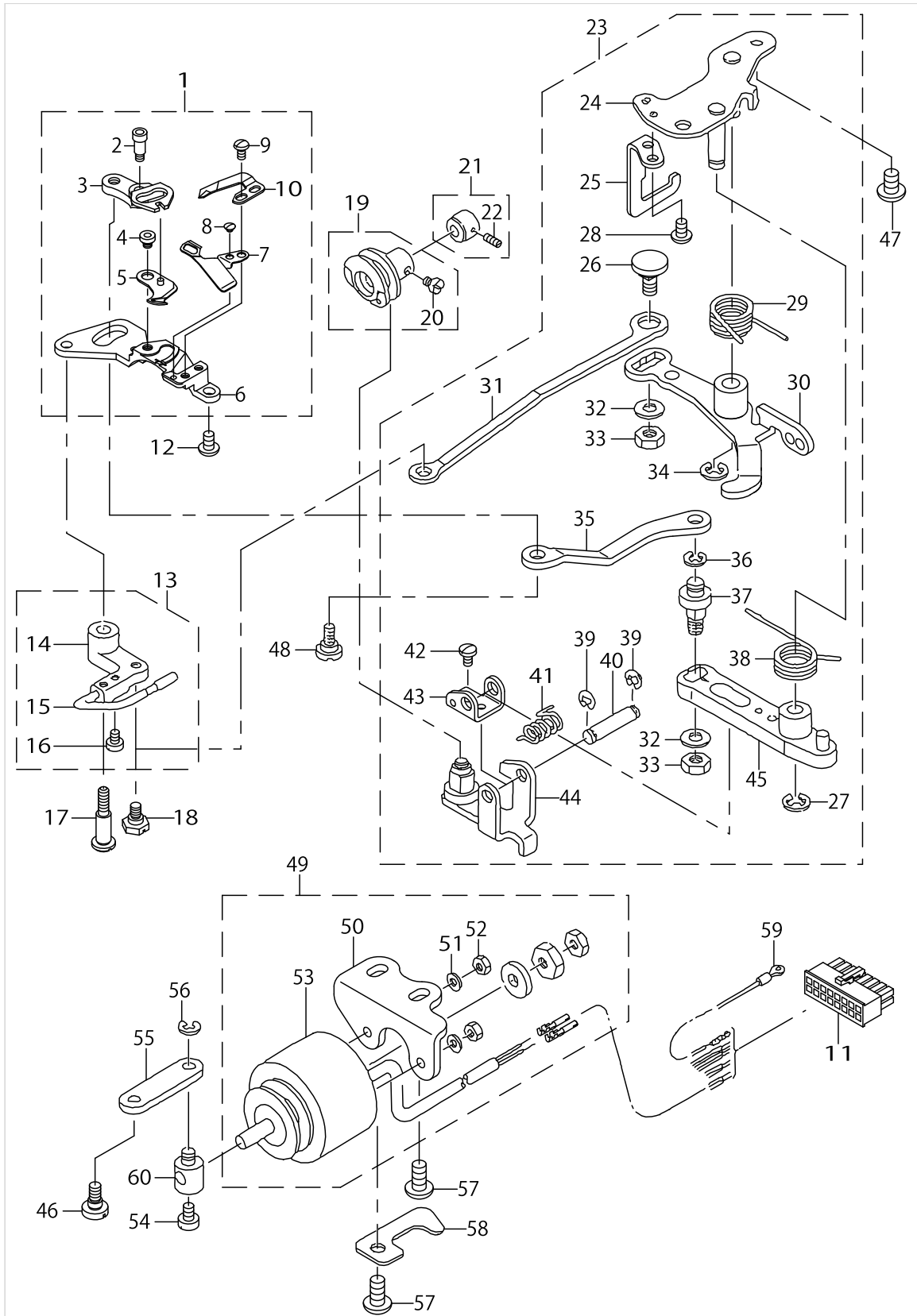
FEED MECHANISM COMPONENTS



FEED MECHANISM COMPONENTS

No.	Parts No.	Parts name	Remarks	Level	Cons	Qty
48	22915201	FEED DRIVING SHAFT				1
49	22904155	MAIN SHAFT THRUST COLLAR ASM.				1
50	SS8660610TP	SCREW 1/4-40 L=6		*		2
51	22913008	FEED ROCKER SHAFT BUSHING				2
52	40111897	BEARING				1
53	SS7110740TP	SCREW 11/64-40 L=7				1
54	RC0150001KP	RETAINING RING 13.8				1
55	22940654	FEED ROCKER ASM.				1
56	SS7121410TP	SCREW 3/16-28 L=14		*		1
57	WP0480856SP	WASHER 4.8X8.4X0.8		*		1
58	22915359	DRIVING SHAFT CRANK ASM.				1
59	SS7111120SP	SCREW 11/64-40 L=10.5		*		1
60	40102264	FEED_REVER_ASM.				1
61	SM8061010TP	SCREW		*		2
62	22904155	MAIN SHAFT THRUST COLLAR ASM.				1
63	SS8660610TP	SCREW 1/4-40 L=6		*		2
64	40100812	FEED LEVER SHAFT				1
65	22912802	FEED LEVER SHAFT BUSHING				1
66	RO078190100	RUBBER RING				1

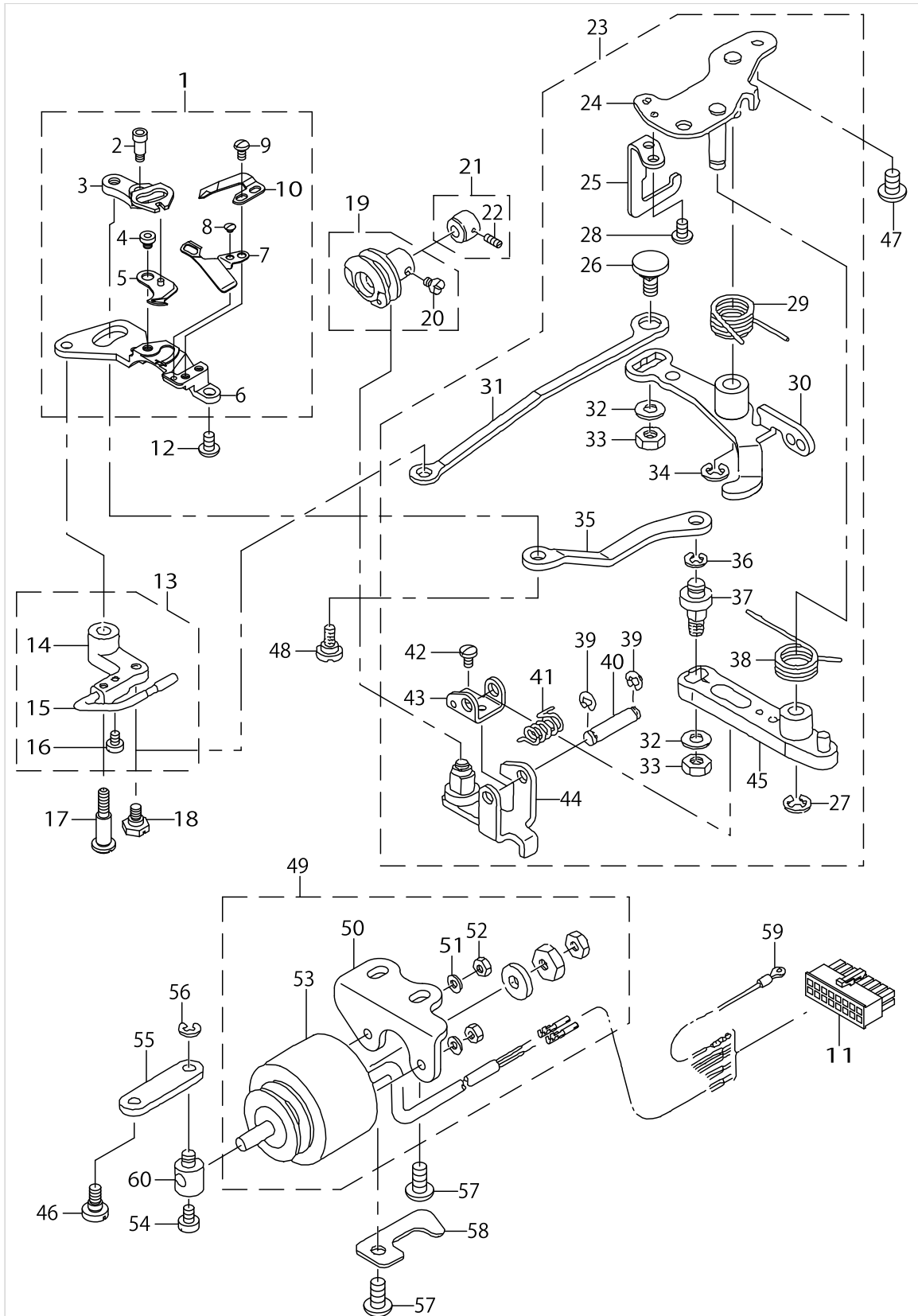
THREAD TRIMMER COMPONENTS



THREAD TRIMMER COMPONENTS

No.	Parts No.	Parts name	Remarks	Level	Cons	Qty
1	22947956	KNIFE UNIT				1
2	SD0460703TP	HINGE SCREW D=4.6 H=7		*		1
3	22948202	FORKED BASE FOR KNIFE		*		1
4	11040409	MOVING KNIFE HINGE SCREW		*		1
5	11040052	MOVING KNIFE ASM.		*		1
6	22947907	KNIFE INSTALLING BASE		*		1
7	22947808	THREAD GUIDE FOR KNIFE		*		1
8	SS2060210SP	SCREW 3/32-56 L=2.3		*		1
9	SS4080620TP	SCREW 1/8-44 L=6		*		2
10	D2406555D0H	COUNTER KNIFE		*		1
11	HK034610140	HOUSING 14P				1
12	SS4110715SP	SCREW 11/64-40 L=7				1
13	22950257	PICKER ARM ASM.				1
14	22950208	PICKER ARM		*		1
15	22950356	HOOK THREAD PRESSER ASM.		*		1
16	SS6090510TP	SCREW 9/64-40 L= 5.0		*		2
17	SD0641451SP	HINGE SCREW D= 6.35 H=14.5				1
18	SD0630275SP	HINGE SCREW D= 6.35 H= 2.7				1
19	22950851	THREAD TRIMMER CAM ASM.				1
20	SS6660610TP	SCREW 1/4-40 L=6		*		2
21	22950950	CAM COLLAR ASM.				1
22	SS8110520TP	SCREW 11/64-40 L= 4.5		*		1
23	22949762	THREAD TRIMMER DRIVING UNIT				1
24	22949754	BASE PLATE ASM.		*		1
25	22950703	DRIVING ARM STOPPER		*		1
26	22950000	PICKER LINK PIN		*		1
27	RE0600000K0	E-RING 6		*		1
28	SS4110715SP	SCREW 11/64-40 L=7		*		2
29	22949408	CLUTCH SPRING		*		1
30	40087245	CLUTCH PLATE ASM.		*		1
31	22950109	PICKER LINK		*		1
32	WP0621016SH	WASHER		*		2
33	NS6150430SP	NUT 15/64-28		*		2
34	RE0600000K0	E-RING 6		*		1
35	22948301	MOVING KNIFE LINK		*		1
36	RE0500000K0	E-RING		*		1
37	22948400	MOVING KNIFE LINK PIN		*		1
38	22949309	KNIFE RETURN SPRING B		*		1
39	RE0400000K0	E-RING 4		*		2
40	22949101	ROLLER FULCRUM SHAFT		*		1
41	22949200	ROLLER RETURN SPRING		*		1
42	SS7090610SP	SCREW 9/64-40 L=6		*		1
43	22949002	ROLLER ARM SEAT		*		1
44	11040953	ROLLER ARM ASM.		*		1
45	11040854	KNIFE DRIVING ARM ASM.		*		1
46	SD0600361SP	HINGE SCREW D=6 H=3.6				1
47	SS4150915SP	SCREW 15/64-28 L=9				2

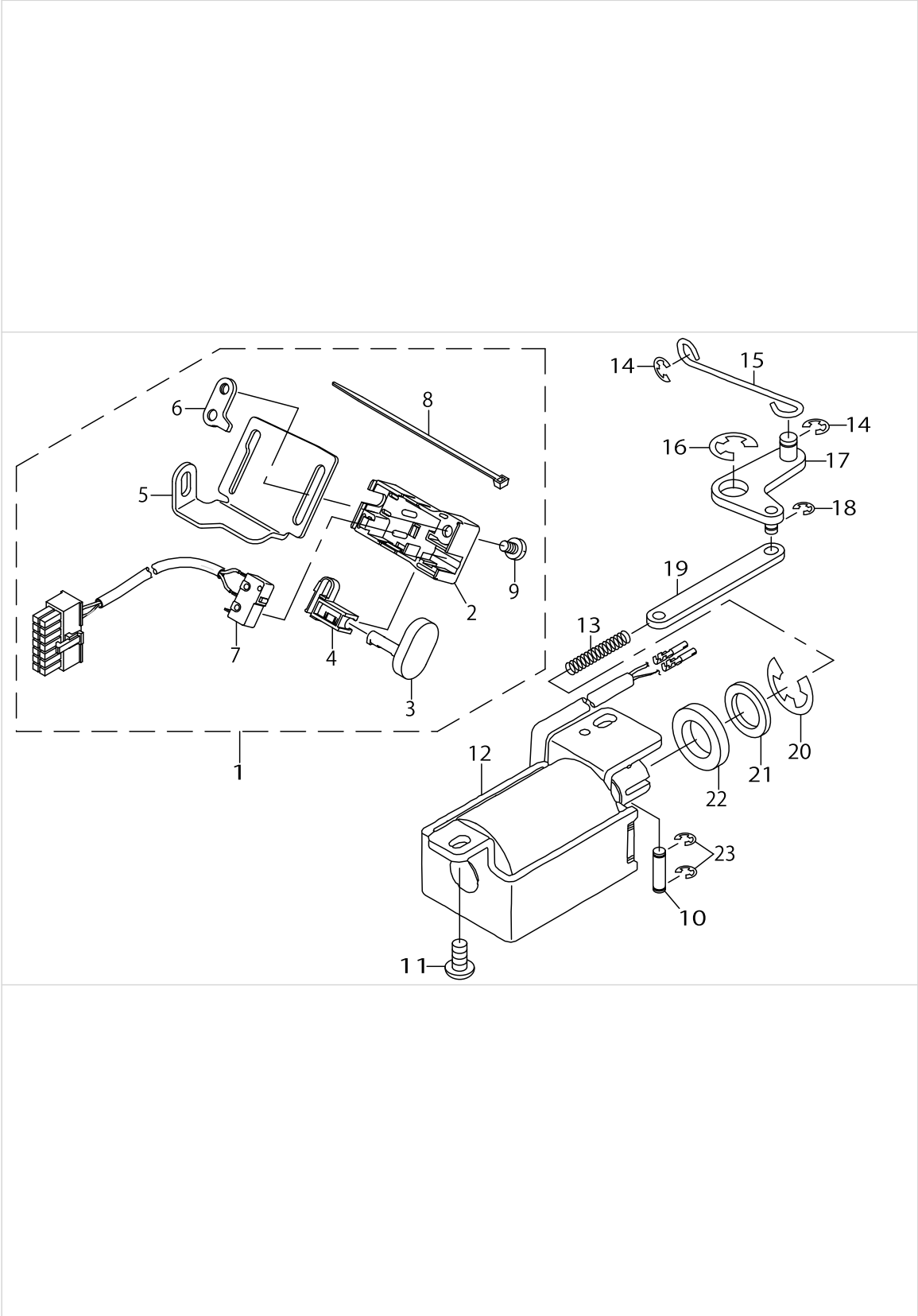
THREAD TRIMMER COMPONENTS



THREAD TRIMMER COMPONENTS

No.	Parts No.	Parts name	Remarks	Level	Cons	Qty
48	SD0640631TP	HINGE SCREW D=6.35 H=6.3				1
49	40111031	THREAD TRIMMER SOLENOID ASM.				1
50	22951404	SOLENOID BASE		*		1
51	WS0410002KR	SPRING WASHER, M4		*		2
52	NM6040001SE	NUT M4		*		2
53	40110995	THREAD TRIMMER SOLENOID		*		1
54	SS6110710TP	SCREW 11/64-40 L= 6.5				1
55	22949903	CLUTCH LINK				1
56	RE0500000K0	E-RING				1
57	SS4151215SP	SCREW 15/64-28 L=12				2
58	22924807	PIPE HOLDER, LOWER	FOR DDL-8700AS-7			1
59	22951552	GROUND WIRE ASM.				1
60	22951008	SOLENOID PIN				1

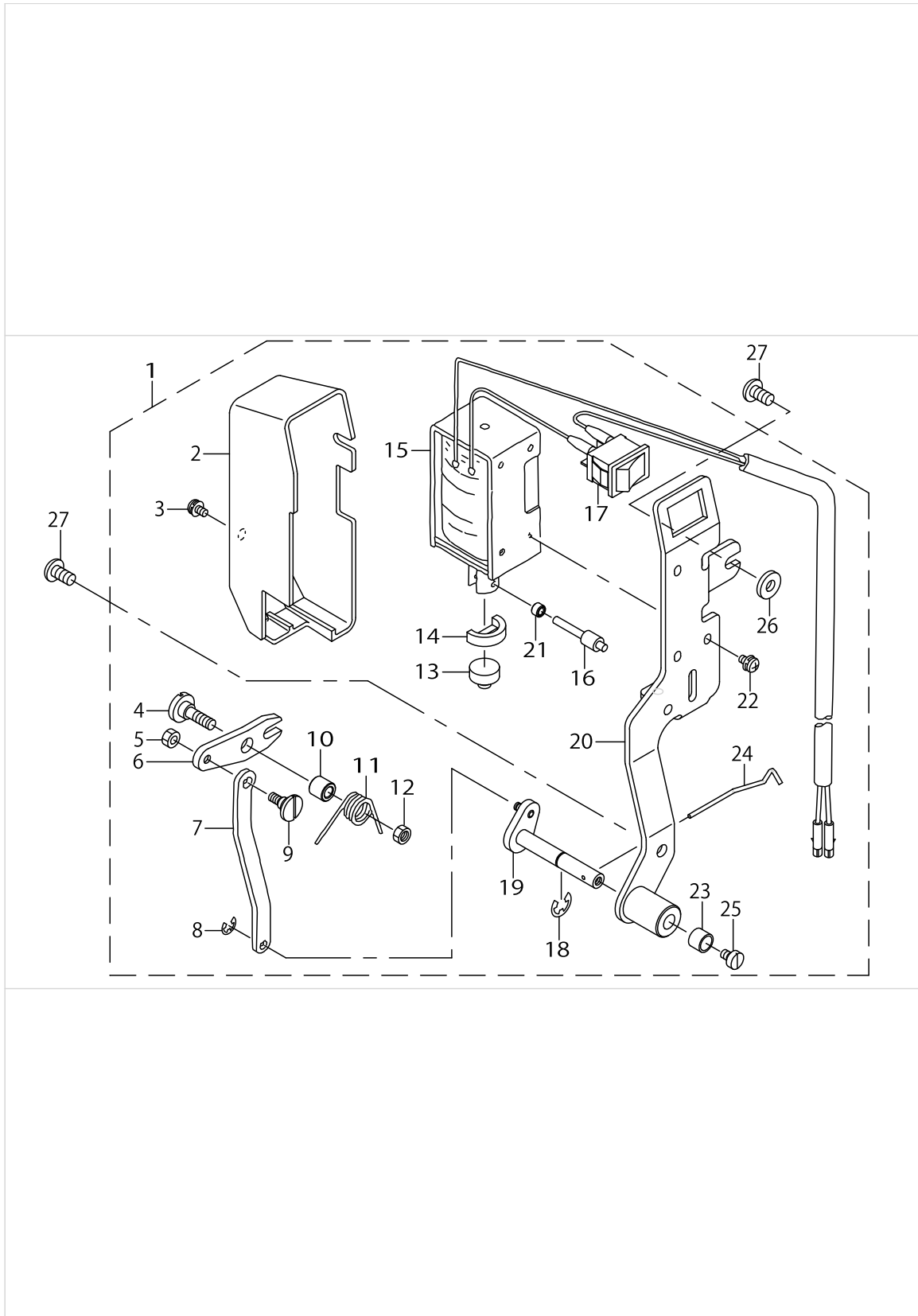
AUTOMATIC REVERSE FEED COMPONENTS



AUTOMATIC REVERSE FEED COMPONENTS

No.	Parts No.	Parts name	Remarks	Level	Cons	Qty
1	40110992	REVERSE FEED SWITCH ASM.				1
2	23631708	REVERSE FEED SWITCH COVER		*		1
3	23631807	REVERSE FEED SWITCH SHAFT		*		1
4	23631906	REVERSE FEED SWITCH SUPPORT		*		1
5	23632003	REVERSE FEED SWITCH BASE		*		1
6	23632102	REVERSE FEED SWITCH BASE GUIDE		*		1
7	40111741	REVERSE_FEED_CORD_ASM.		*		1
8	EA9500B0100	CABLE BAND		*		1
9	SS7110740TP	SCREW 11/64-40 L=7		*		1
10	22953509	PLUNGER ARM PIN				1
11	SS4151215SP	SCREW 15/64-28 L=12				2
12	40110996	REVERSE_FEED_SOLENOID				1
13	22954002	PLUNGER SPRING				1
14	RE0500000KP	E-RING 5				2
15	22953806	REVERSE FEED CONNECTING SHAFT				1
16	RE0900000K0	E-RING 9				1
17	22953657	CONNECTING ARM ASM.				1
18	RE0400000KP	E-RING 4				1
19	22953905	REVERSE FEED CONNECTING LINK				1
20	RE1200000K0	E-RING 12				1
21	WP1602616SZ	WASHER 16X24X2.6				1
22	22953400	RUBBER PLUNGER				1
23	RE0400000K0	E-RING 4				2

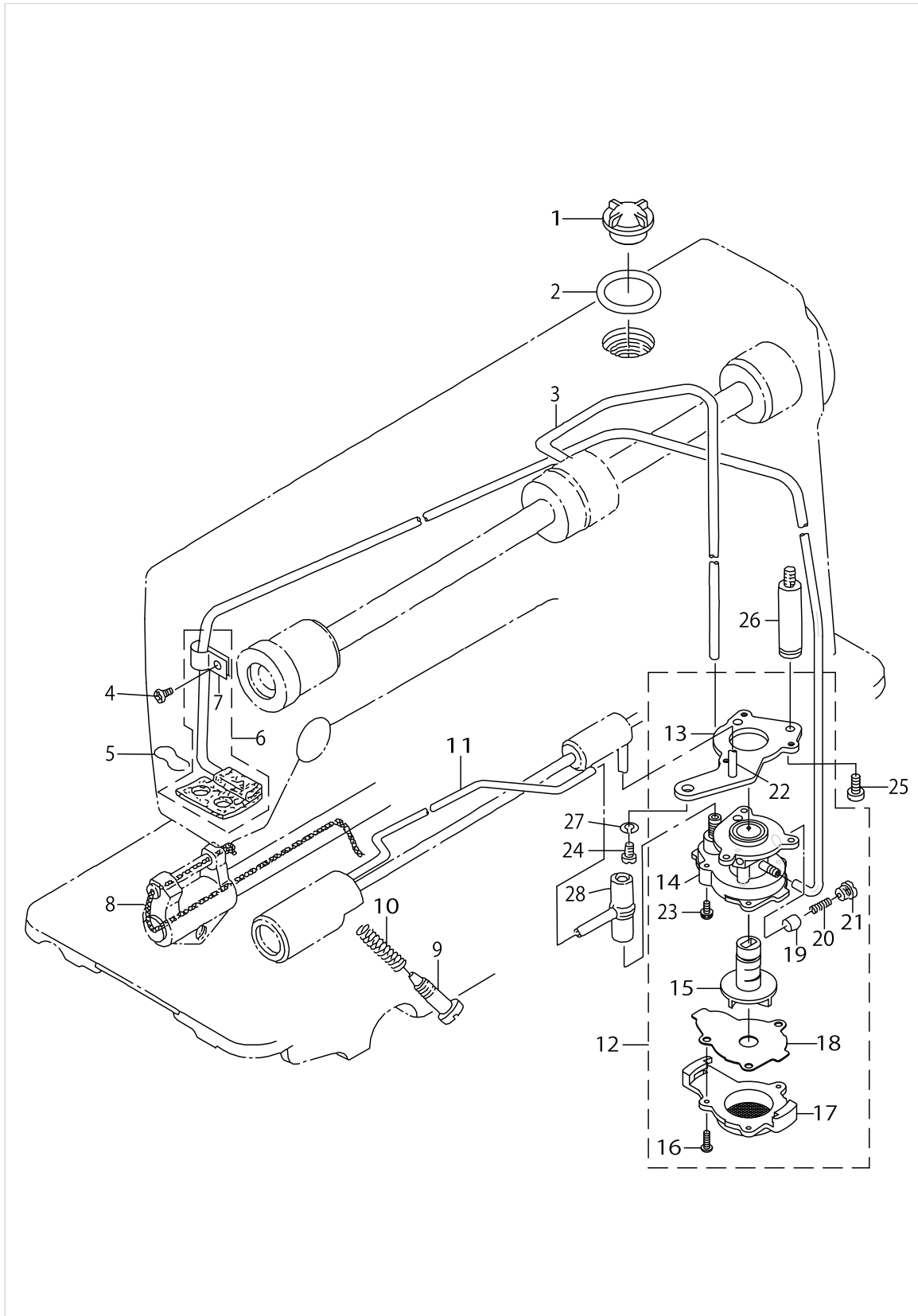
WIPER COMPONENTS



WIPER COMPONENTS

No.	Parts No.	Parts name	Remarks	Level	Cons	Qty
1	40110998	WIPER ASM.				1
2	22955504	WIPER COVER		*		1
3	SL4030631SC	SCREW M3X6		*		1
4	SD0650321TP	HINGE SCREW D=6.5 H=3.2		*		1
5	NS6090310SP	NUT 9/64-40		*		1
6	22956106	WIPER LINK A		*		1
7	22956403	WIPER LINK B		*		1
8	RE0250000K0	E-RING 2.5		*		1
9	22956908	WIPER LINK B, HINGE SCREW		*		1
10	22956205	WIPER HINGE SCREW COLLAR		*		1
11	22956304	WIPER SPRING		*		1
12	NS6110310SP	NUT 11/64-40		*		1
13	22955900	WIPER RUBBER A		*		1
14	22956007	WIPER RUBBER B		*		1
15	40110999	WIPER SOLENOID		*		1
16	22957104	WIPER SOLENOID SHAFT		*		1
17	HA00600000A	SWITCH		*		1
18	RE0500000K0	E-RING		*		1
19	40041419	WIPER LINK C ASM.		*		1
20	11110152	WIPER BASE ASM.		*		1
21	22957203	WIPER LINK COLLAR		*		1
22	SL4030641SE	SCREW		*		3
23	22956809	WIPER COLLAR		*		1
24	22957005	WIPER		*		1
25	SS6090540SP	SCREW 9/64-40 L= 5.0		*		1
26	WP0482086SD	WASHER 4.8X11.5X2		*		1
27	SS4120915SP	SCREW 3/16-28 L=9				2

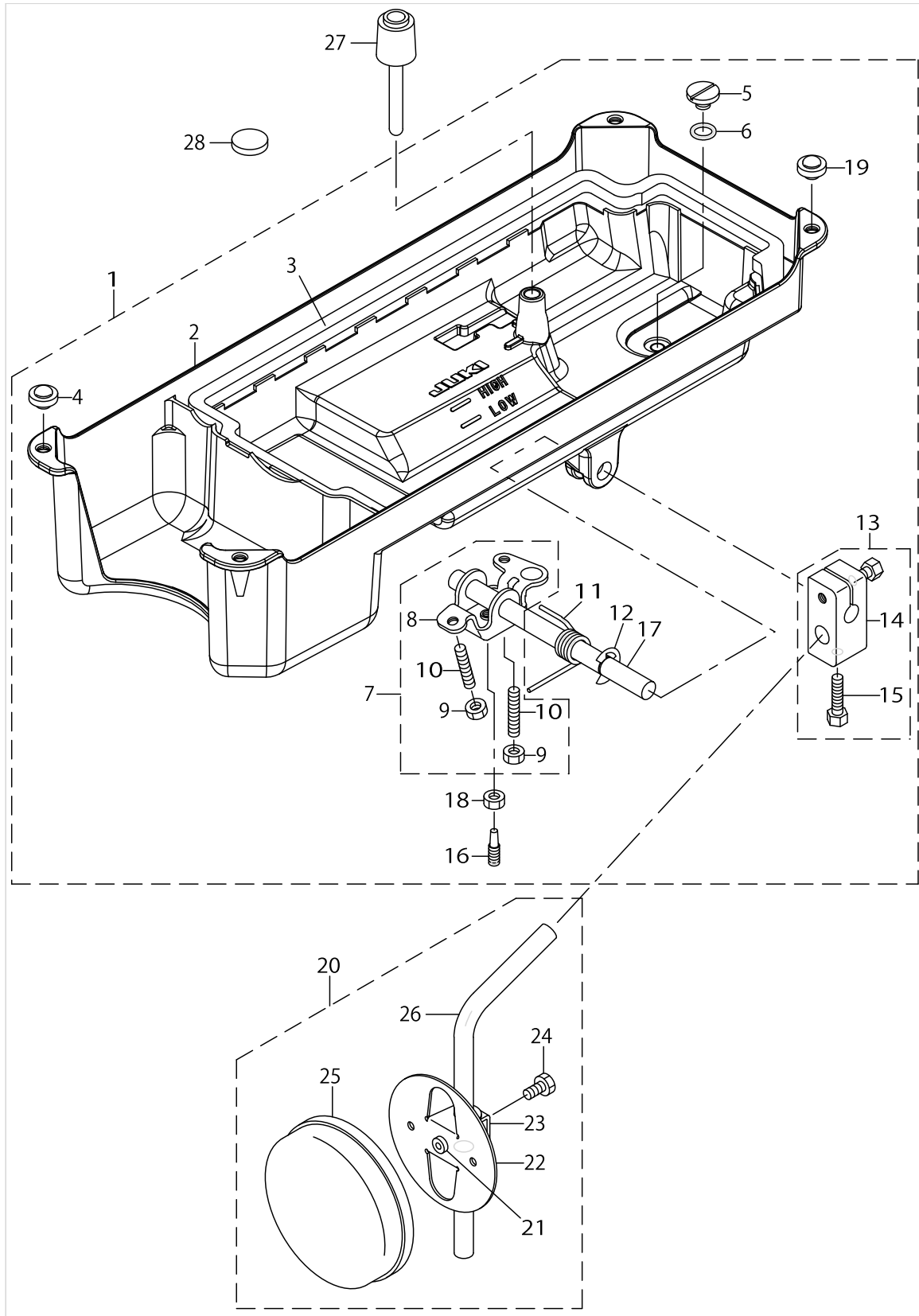
OIL LUBRICATION COMPONENTS



OIL LUBRICATION COMPONENTS

No.	Parts No.	Parts name	Remarks	Level	Cons	Qty
1	22924708	OIL SIGHT WINDOW				1
2	RO195240100	RUBBER RING				1
3	22924401	MAIN SHAFT OIL TUBE				1
4	SS4120615SP	SCREW 3/16-28 L=6				1
5	22925101	OIL FELT PRESSER				1
6	22924153	OIL RETURN TUBE ASM.				1
7	22924302	HOLDER		*		1
8	CQ252000000	OIL WICK				0.3
9	22925002	OIL ADJUSTING SCREW				1
10	22924906	SPRING				1
11	22924500	OIL TUBE				1
12	22923056	LUBRICATING OIL PUMP ASM.				1
13	22923312	OIL PUMP INSTALLING BASE		*		1
14	22923015	OIL PUMP		*		1
15	22923700	OIL PUMP IMPELLER		*		1
16	SE4301041SR	SCREW D=3 L=10		*		1
17	22923205	LUBRICATING OIL PUMP COVER		*		1
18	22923809	OIL PUMP IMPELLER COVER		*		1
19	22923403	PLUNGER		*		1
20	22923601	PLUNGER SPRING		*		1
21	22923502	PLUNGER SCREW		*		1
22	22923908	HOOK DRIVING SHAFT OIL TUBE		*		1
23	SL4030851SF	SCREW M3 L=8		*		3
24	SS4150915SP	SCREW 15/64-28 L=9				1
25	SS6111010TP	SCREW 11/64-40 L= 9.5				1
26	22947105	OIL PUMP SUPPORT	FOR DDL-8700AS-7			1
27	WS0651310KP	SPRING WASHER 6.5X11X1.3	FOR DDL-8700AS-7			1
28	22924609	RUBBER JOINT				1

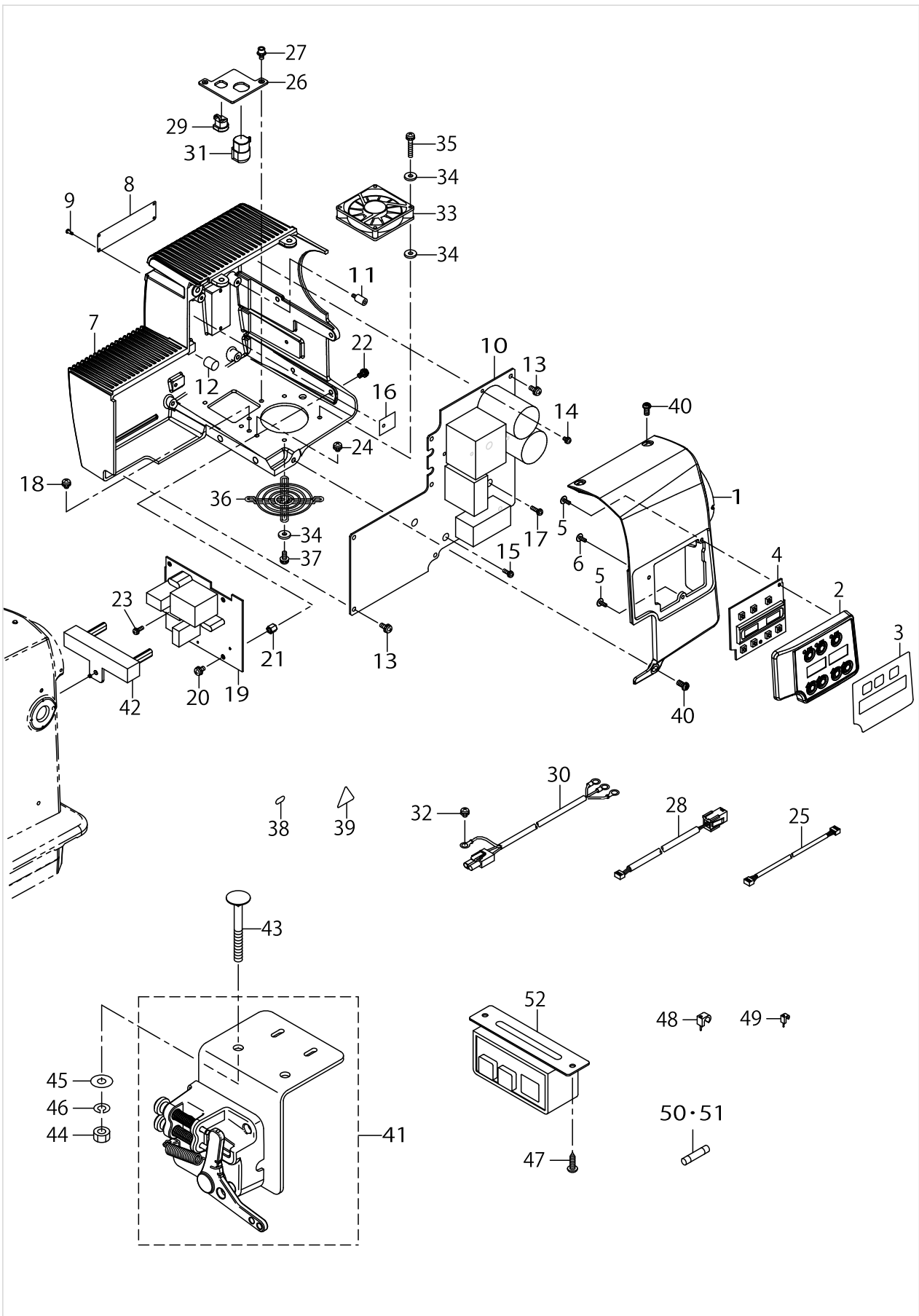
OIL RESERVOIR COMPONENTS



OIL RESERVOIR COMPONENTS

No.	Parts No.	Parts name	Remarks	Level	Cons	Qty
1	40111876	OIL_RESERVER_ASM				1
2	40105821	OIL RESERVOIR		*		1
3	22931901	OIL RESERVOIR GASKET		*		1
4	22932008	RUBBER CUSHION		*		2
5	SS6700710SH	SCREW 5/16-24 L=7		*		1
6	RO098240100	RUBBER RING		*		1
7	22932156	KNEE LIFTER ROTATION ARM ASM.		*		1
8	22932107	KNEE LIFTING ROTATING ARM		*		1
9	NM6060001SE	NUT M6		*		2
10	SM8063012TR	SCREW M6 L=30		*		2
11	22932206	SPRING		*		1
12	RE1000000K0	E-RING 10		*		1
13	22932453	BRACKET ASM.		*		1
14	22932404	BRACKET		*		1
15	22934707	SCREW		*		2
16	40101720	SCREW_M6		*		1
17	40101541	KNEE_PRESS_CROSS_SHAFT		*		1
18	NM6060001SE	NUT M6		*		1
19	B1116210D00	FRAME SUPPORT RUBBER		*		2
20	22934251	KNEE PAD PLATE ASM.				1
21	22934400	KNEE PAD PLATE RUBBER		*		1
22	22934202	KNEE PAD PLATE		*		1
23	22934301	KNEE PAD PLATE SUPPORT		*		1
24	SM9061203SE	SCREW M6 L=12		*		1
25	22934509	KNEE PAD PLATE COVER		*		1
26	22934608	KNEE PAD UPRIGHT SHAFT		*		1
27	22931703	KNEE LIFTER PUSH ROD				1
28	B8228125000	OIL RESERVOIR MAGNET				1

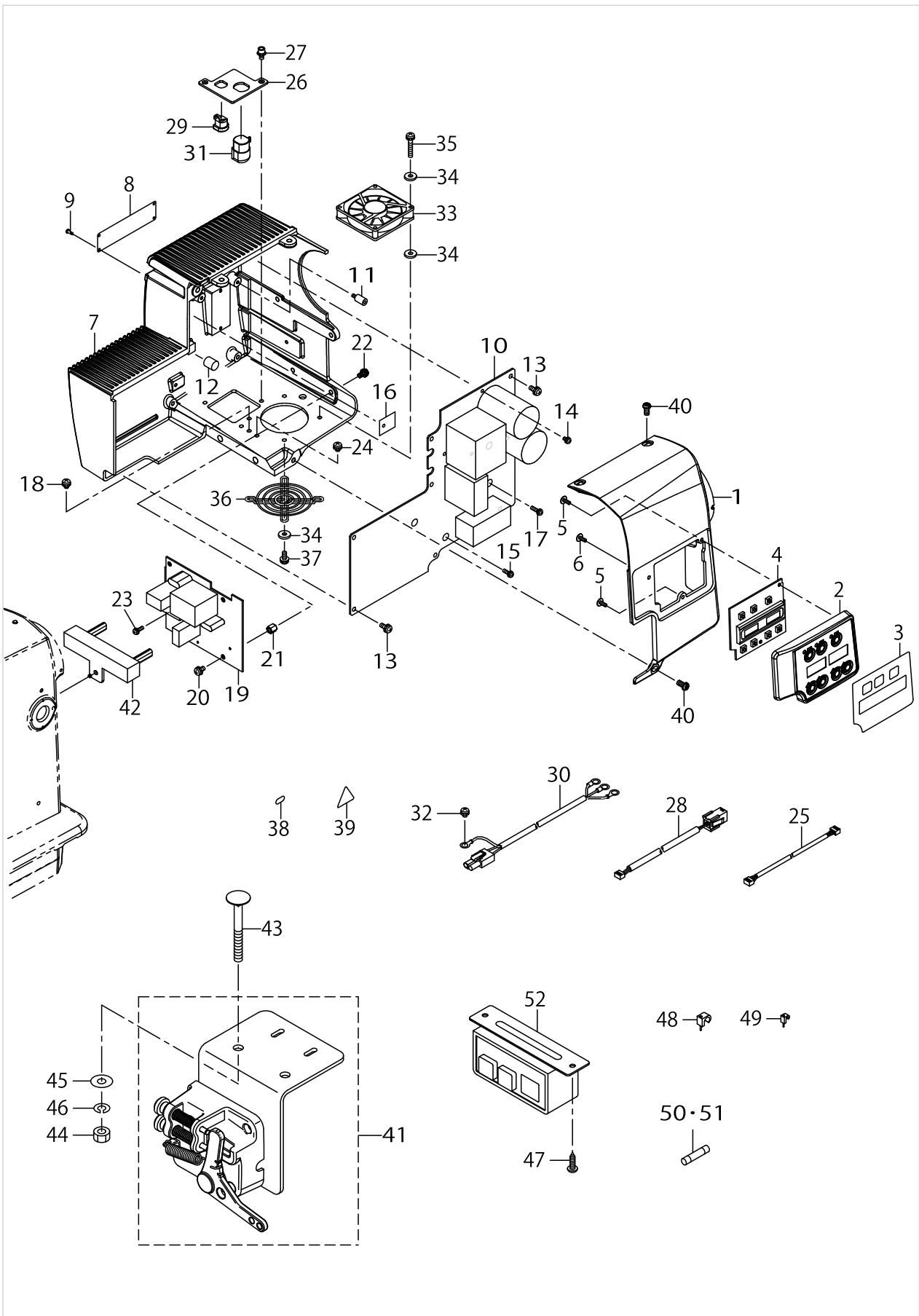
PSC UNIT



PSC UNIT

No.	Parts No.	Parts name	Remarks	Level	Cons	Qty
1	40110643	FRONT_COVER				1
2	40110645	PANEL_COVER				1
3	40108918	PANEL SHEET				1
4	40108174	PANEL PCB ASSY				1
5	SV4030802SN	TAPPING SCREW WITH FLANGE M3X8				2
6	SV4030601SN	SCREW M3 L=6				1
7	40110644	REAR_COVER				1
8	40111196	VENT_PLATE				1
9	40111205	RIVET				4
10	40108771	MAIN PCB ASSY				1
11	HX006060000	SPACER				4
12	40088316	RUBBER_CUSHION				1
13	SL4041081SC	SCREW M4 L=10				7
14	SL4030681SC	SCREW M3 L=6				4
15	SL4031081SC	SCREW M3 X 10				4
16	HX001970000	INSULATE PLATE				1
17	SL4031281SC	SCREW M3 L=12				2
18	SL4040681SC	SCREW M4 L=6				1
19	40108761	FLT-S PCB ASSY				1
20	SL4040681SC	SCREW M4 L=6				4
21	40088311	STUD				4
22	40111217	SCREW				4
23	SL4031081SC	SCREW M3 X 10				1
24	SL4040681SC	SCREW M4 L=6				1
25	40110792	RELAY CORD ASSY				1
26	40110989	HOUSING_PLATE				1
27	SL6040692TN	SCREW M4 L=6				2
28	40110796	PEDAL CORD ASSY				1
29	HX006820000	CORD BUSHING				1
30	40111652	AC INPUT CORD ASSY				1
31	HX006830000	CORD BUSHING				1
32	SL4040681SC	SCREW M4 L=6				1
33	40111214	FAN MOTOR ASSY				1
34	B1144771000	FRAME SIDE COVER GASKET (C)				6
35	SL4042581SC	SCREW				2
36	HM002150010	FAN MOTOR				1
37	SL4040881SC	SCREW M4 L=8				2
38	CM200100001	PE MARK LABEL				1
39	CM300100003	VOLTAGE WARNING LABEL(25)				1
40	SS4120915SP	SCREW 3/16-28 L=9				3
41	40111212	PEDAL SENSOR BASE ASSY				1
42	40110797	RESISTANCE_ASSY				1
43	40093426	MOTOR FITTING BOLT L=75				2
44	NM6080002SC	NUT M8				2
45	WP0851846SC	WASHER 8.5X22.0X1.8				2
46	WS0820002KR	SPRING WASHER, M8				2
47	40093427	WOOD_SCREW D=5.1 L=18				2

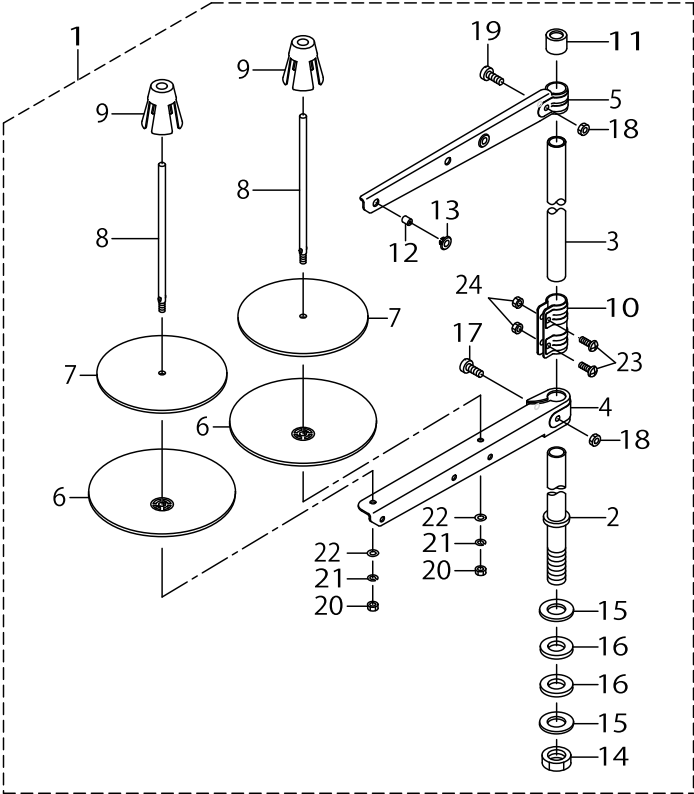
PSC UNIT



PSC UNIT

No.	Parts No.	Parts name	Remarks	Level	Cons	Qty
48	40111758	STAPLE				3
49	40111759	STAPLE				2
50	KF000000080	SLO-BLO FUSE				1
51	KF000000030	SLO-BLO FUSE				1
52	40111651	POWER SWITCH ASM.				1

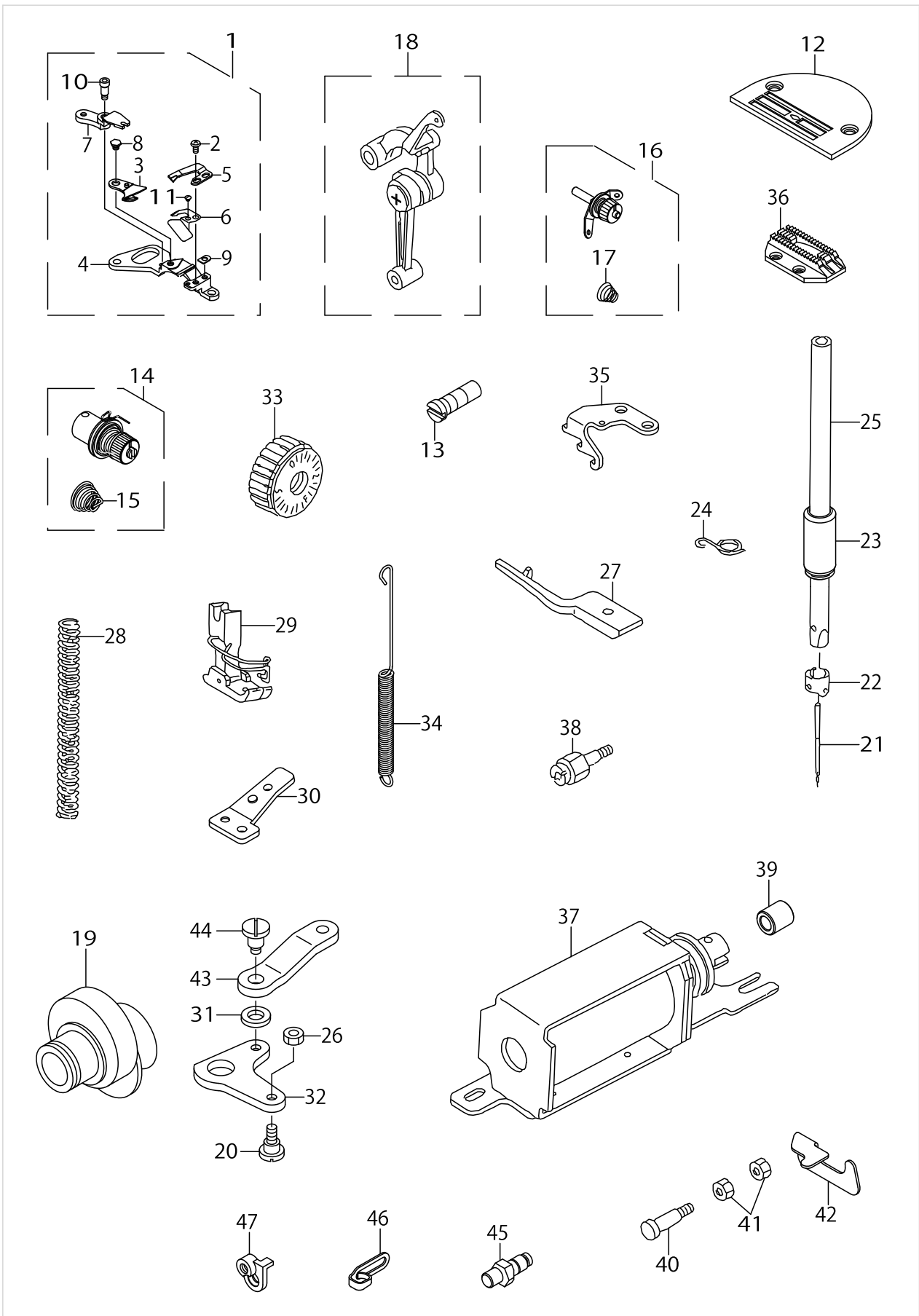
THREAD STAND COMPONENTS



THREAD STAND COMPONENTS

No.	Parts No.	Parts name	Remarks	Level	Cons	Qty
1	40096354	THREAD STAND ASM.				1
2	40085784	SPOOL REST ROD LOWER		*		1
3	40085785	SPOOL REST ROD UPPER		*		1
4	40085786	SPOOL REST ARM LOWER		*		1
5	40085787	SPOOL REST ARM UPPER		*		1
6	40085788	SPOOL REST		*		2
7	40085789	SPOOL REST CUSHION		*		2
8	40085790	SPOOL PIN		*		2
9	40085791	SPOOL RETAINER		*		2
10	40085792	SPOOL REST ROD JOINT		*		1
11	40085793	SPOOL REST ROD RUBBER CAP		*		1
12	40085794	THREAD GUIDE		*		2
13	40085795	THREAD GUIDE BUSHING		*		2
14	40096325	SPOOL REST ROD NUT		*		1
15	WP1612616SE	WASHER 16X30X2.6		*		2
16	40085796	SPOOL REST ROD RUBBER CUSHION		*		2
17	40096326	SPOOL REST ARM LOWER SCREW		*		1
18	NM6050001SE	NUT M5		*		2
19	40096327	SPOOL REST ARM UPPER SCREW		*		1
20	NM6050001SE	NUT M5		*		2
21	WS0510002KN	SPRING WASHER M5		*		2
22	WP0531001SC	WASHER M5		*		2
23	SM4051405SE	SCREW M5 L=14		*		2
24	NM6050001SE	NUT M5		*		2

EXCLUSIVE PARTS FOR DDL-8700AH-7



EXCLUSIVE PARTS FOR DDL-8700AH-7

No.	Parts No.	Parts name	Remarks	Level	Cons	Qty
1	11095551	KNIFE UNIT				1
2	SS4080620TP	SCREW 1/8-44 L=6		*		2
3	11409257	MOVING KNIFE J ASM.		*		1
4	11095502	KNIFE MOUNT BASE		*		1
5	40089755	FIX KNIFE		*		1
6	23645401	THREAD GUIDE FOR KNIFE H		*		1
7	11095601	KNIFE BRANCH		*		1
8	SD0500131TP	HINGE SCREW D=5 H=1.25		*		1
9	D2404555B00	COUNTER KNIFE SPACER		*		1
10	SD0460703TP	HINGE SCREW D=4.6 H=7		*		1
11	SS2060210SP	SCREW 3/32-56 L=2.3		*		1
12	11400801	THROAT PLATE J				1
13	B1213552000A	OIL ADJUSTING PIN				1
14	22962054	THREAD TENSION ASM.				1
15	22962005	THREAD TENSION SPRING		*		1
16	22963458	THREAD TENSION ASM.¥n				1
17	22963409	THREAD TENSION SPRING		*		1
18	40103560	LINK THREAD TAKE-UP LEVER ASM.				1
19	22962351	FEED DRIVE ECCENTRIC CAM ASM.				1
20	SD0700451TP	HINGE SCREW D=7 H=4.5				1
21	MDB100B2100	NEEDLE DBX1 #21				1
22	B1418415H00	NEEDLE BAR THREAD GUIDE				1
23	22970313	NEEDLE BAR BUSHING, LOWER				1
24	40023223	NEEDLE BAR THREAD GUIDE				1
25	22970206	NEEDLE BAR				1
26	NS6110420SP	NUT 11/64-40				1
27	11093804	POSITIONING FINGER H				1
28	B1505552000A	PRESSER SPRING				1
29	D1524555EBL	PRESSER FOOT ASM.				1
30	22962807	WIRE PRESSER PLATE(LOWER),B				1
31	WP0722316SH	WASHER				1
32	11101508	REVERSE FEED LINK				1
33	40101726	FEED_DIAL				1
34	40080725	ADJUSTING LINK SPRING				1
35	22970602	FEED SPRING HOOK				1
36	11403003	FEED J				1
37	40111032	SOLENOID MOUNTING BASE ASM.				1
38	11231503	OIL PUMP SUPPORT				1
39	22962609	REVERSE FEED BASE COLLAR¥n				1
40	22962906	PLUNGER ARM PIN				1
41	NS6110420SP	NUT 11/64-40				2
42	22962708	REVERSE FEED CORD PRESSER¥n				1
43	22962500	CONNECTING LINK¥n				1
44	SD0700711TP	HINGE SCREW D=7 H=7.1				1
45	22971204	FEED REGULATOR BASE PIN				1
46	11091006	ARM THREAD GUIDE (HA)				1
47	40111000	LEVER_STOPPER_H				1

HOW TO MAKE USE OF THIS PARTS LIST

1.As to "#01" and "#02" refer to the "Note" given at the bottom of the respective pages.

2.Codes on the "Qty" column

- Each numeral indicates the number of parts required.
- "0.1" and "2.5" indicate the length (in meters) of the respective parts.

3.Parentheses mean that the corresponding part is a subpart that constructs an assembly part.

4.Dotted lines on the Figures indicate assembly parts.

1. リストページの# 0 1、# 0 2の印は、ページ下の"注記"の説明を参照下さい。
2. 数量欄の数字は、個数を表し、0. 1、2. 5等の数値は、長さ（単位メートル）を表します。
3. 数量欄の（ ）は、組部品を構成している子部品であることを意味します。
4. イラストページの-----枠は、組構成であることを意味します。

NUMERICAL INDEX OF PARTS

PART NO	PAGE	REF NO.	PART NO	PAGE	REF NO.	PART NO	PAGE	REF NO.
11002904	8	3	22906200	10	8	22916001	10	31
11005204	8	7	22906309	10	10	22916100	10	35
11009800	14	23	22906457	10	4	22916308	10	27
11010311	14	17	22907208	12	34	22916506	10	38
11015906	10	37	22907307	12	36	22916555	10	36
11037405	14	22	22907406	12	33	22917157	10	29
11038650	10	34	22907505	12	32	22919203	8	29
11038759	10	24	22907554	12	30	22919559	8	2
11039062	8	5	22907604	12	31	22920102	12	29
11039070	8	4	22907703	12	45	22920201	12	23
11040052	18	5	22907802	12	1	22920300	12	26
11040409	18	4	22908008	12	42	22920409	12	24
11040854	18	45	22908156	12	40	22920508	2	30
11040953	18	44	22908305	12	44	22920607	2	47
11091006	36	46	22908354	12	39	22920805	10	7-40
11093804	36	27	22908552	12	4	22920904	2	43
11095502	36	4	22908701	12	7	22921001	2	31
11095551	36	1	22908800	12	14	22921209	2	38
11095601	36	7	22908909	12	11	22921308	2	33
11101508	36	32	22909006	12	13	22921407	2	34
11110152	24	20	22910004	8	18	22921506	2	37
11231503	36	38	22910053	8	16	22921506	6	28
11400801	36	12	22910103	8	42	22921605	2	39
11403003	36	36	22910202	14	12	22921704	2	35
11409257	36	3	22910251	14	11	22921803	2	36
22538706	6	33	22910350	14	43	22923015	26	14
22538805	8	30	22910806	14	28	22923056	26	12
22888002	8	21	22910905	14	24	22923205	26	17
22900401	2	10	22911002	14	40	22923312	26	13
22900609	2	28	22911101	14	13	22923403	26	19
22900757	2	4	22911507	14	2	22923502	26	21
22901003	4	55	22911606	14	4	22923601	26	20
22901201	4	52	22911804	14	7	22923700	26	15
22901250	4	51	22912000	14	9	22923809	26	18
22901300	4	53	22912109	14	8	22923908	26	22
22901805	2	14	22912257	14	19	22924153	26	6
22903207	8	25	22912505	14	20	22924302	26	7
22903306	8	27	22912802	16	65	22924401	26	3
22903900	8	43	22912901	14	39	22924500	26	11
22904155	8	23	22913008	16	51	22924609	26	28
22904155	16	62	22913701	14	38	22924708	26	1
22905004	10	23	22915003	14	15	22924807	20	58
22905103	10	25	22915151	14	45	22924906	26	10
22905202	10	26	22915201	16	48	22925002	26	9
22906101	10	2	22915359	16	58	22925101	26	5

NUMERICAL INDEX OF PARTS

PART NO	PAGE	REF NO.	PART NO	PAGE	REF NO.	PART NO	PAGE	REF NO.
22931703	28	27	22948301	18	35	22962609	36	39
22931901	28	3	22948400	18	37	22962708	36	42
22932008	28	4	22949002	18	43	22962807	36	30
22932107	28	8	22949101	18	40	22962906	36	40
22932156	28	7	22949200	18	41	22963409	36	17
22932206	28	11	22949309	18	38	22963458	36	16
22932404	28	14	22949408	18	29	22970206	36	25
22932453	28	13	22949754	18	24	22970313	36	23
22932909	10	18	22949762	18	23	22970602	36	35
22934202	28	22	22949903	20	55	22971204	36	45
22934251	28	20	22950000	18	26	23631708	22	2
22934301	28	23	22950109	18	31	23631807	22	3
22934400	28	21	22950208	18	14	23631906	22	4
22934509	28	25	22950257	18	13	23632003	22	5
22934608	28	26	22950356	18	15	23632102	22	6
22934707	28	15	22950703	18	25	23645401	36	6
22935407	4	57	22950851	18	19	26260109	6	2
22939508	10	3	22950950	18	21	26260208	6	3
22940506	14	10	22951008	20	60	26260307	6	4
22940654	16	55	22951404	20	50	26260406	6	5
22940753	14	35	22951552	20	59	26260505	6	6
22940951	14	27	22952501	2	18	26260604	6	7
22941108	14	1	22953400	22	22	26260802	6	8
22941306	14	36	22953509	22	10	26261008	6	9
22942502	10	32	22953657	22	17	26261206	6	10
22942601	10	28	22953806	22	15	26261305	6	11
22944508	12	18	22953905	22	19	26261503	6	12
22944607	12	20	22954002	22	13	26261602	6	13
22944706	12	10	22955504	24	2	26261701	6	14
22944854	12	28	22955900	24	13	40011144	6	15
22945109	12	25	22956007	24	14	40012126	2	2
22945307	2	40	22956106	24	6	40012129	2	11
22945356	2	32	22956205	24	10	40012444	10	7-40
22945414	2	22	22956304	24	11	40017805	12	35
22945463	2	21	22956403	24	7	40021933	6	17
22945505	2	25	22956809	24	23	40023223	36	24
22945604	2	23	22956908	24	9	40037008	6	30
22945703	2	26	22957005	24	24	40041419	24	19
22945703	6	25	22957104	24	16	40060989	12	5
22945802	2	24	22957203	24	21	40080725	36	34
22947105	26	26	22958300	2	7	40085784	34	2
22947808	18	7	22962005	36	15	40085785	34	3
22947907	18	6	22962054	36	14	40085786	34	4
22947956	18	1	22962351	36	19	40085787	34	5
22948202	18	3	22962500	36	43	40085788	34	6

NUMERICAL INDEX OF PARTS

PART NO	PAGE	REF NO.	PART NO	PAGE	REF NO.	PART NO	PAGE	REF NO.
40085789	34	7	40110731	6	24	B1505552000A	36	28
40085790	34	8	40110734	6	26	B1521555000	12	2
40085791	34	9	40110792	30	25	B15240120BA	12	9
40085792	34	10	40110796	30	28	B1613012I00	14	33
40085793	34	11	40110797	30	42	B1903552000	8	9
40085794	34	12	40110975	6	16	B1905541B00	8	6
40085795	34	13	40110976	6	1	B8228125000	28	28
40085796	34	16	40110977	8	44	CM200100001	30	38
40087245	18	30	40110978	8	20	CM300100003	30	39
40088311	30	21	40110979	8	40	CM300200001	2	12
40088316	30	12	40110987	2	9	CM301200001	2	13
40089548	14	25	40110989	30	26	CQ252000000	26	8
40089755	36	5	40110992	22	1	D1524555EBL	36	29
40090002	10	14	40110995	20	53	D2404555B00	36	9
40090003	10	16	40110996	22	12	D2406555D0H	18	10
40090004	10	19	40110998	24	1	D7133555B00	6	29
40090005	10	21	40110999	24	15	EA9500B0100	8	28
40090058	10	6	40111000	36	47	EA9500B0100	22	8
40093417	14	26	40111001	8	35	HA00600000A	24	17
40093426	30	43	40111025	8	36	HK034610140	18	11
40093427	30	47	40111031	20	49	HM002150010	30	36
40093432	2	20	40111032	36	37	HX001970000	30	16
40096325	34	14	40111196	30	8	HX006060000	30	11
40096326	34	17	40111203	8	37	HX006820000	30	29
40096327	34	19	40111205	30	9	HX006830000	30	31
40096354	34	1	40111212	30	41	KF000000030	32	50-51
40099083	4	58	40111214	30	33	KF000000080	32	50-51
40100812	16	64	40111217	30	22	MDB100B1400	10	11
40101462	14	31	40111423	8	10	MDB100B2100	36	21
40101541	28	17	40111424	8	32	NM6040001SE	20	52
40101694	10	12	40111651	32	52	NM6050001SE	34	24
40101720	28	16	40111652	30	30	NM6060001SE	28	18
40101726	36	33	40111741	22	7	NM6080002SC	30	44
40102097	2	1	40111758	32	48	NS6090310SP	24	5
40102264	16	60	40111759	32	49	NS6110310SP	24	12
40103560	36	18	40111872	8	34	NS6110420SP	36	41
40105821	28	2	40111876	28	1	NS6120630SP	6	27
40108174	30	4	40111897	16	52	NS6150430SP	18	33
40108761	30	19	B1109552000	2	44	NS6620310SP	12	21
40108771	30	10	B1116210D00	28	19	NS6680410SP	14	42
40108918	30	3	B1144771000	30	34	RC0150001KP	14	54
40110376	8	15	B1213552000A	36	13	RC0150001KP	16	54
40110643	30	1	B1215552000	8	26	RC0560711KP	6	18
40110644	30	7	B1408552000	8	8	RC1850001KP	8	22
40110645	30	2	B1418415H00	36	22	RE0250000K0	24	8

NUMERICAL INDEX OF PARTS

PART NO	PAGE	REF NO.	PART NO	PAGE	REF NO.	PART NO	PAGE	REF NO.
RE0400000K0	6	19	SL6051492TN	8	39	SS6110610TP	4	48
RE0400000K0	18	39	SL6052592TN	8	38	SS6110710TP	20	54
RE0400000K0	22	23	SM0050801SC	6	32	SS6111010TP	26	25
RE0400000KP	22	18	SM4051405SE	34	23	SS6121210SP	14	46
RE0500000K0	12	43	SM5040655SN	6	20	SS6121610SP	14	44
RE0500000K0	14	21	SM8040802TP	6	21	SS6121840SP	2	17
RE0500000K0	18	56	SM8050502TP	6	22	SS6121860SP	14	5
RE0500000K0	20	56	SM80608A2TP	8	33	SS6660610TP	18	20
RE0500000K0	24	18	SM8061010TP	16	61	SS6661110SP	8	17
RE0500000KP	22	14	SM8063012TR	28	10	SS6700710SH	28	5
RE0600000K0	18	34	SM9061203SE	28	24	SS7080510TP	10	9
RE0900000K0	22	16	SS2060210SP	18	8	SS7090610SP	18	42
RE1000000K0	28	12	SS2060210SP	36	11	SS7091110TP	12	6
RE1200000K0	22	20	SS2110915SP	2	46	SS7110720SP	4	59
RO029180100	8	41	SS2110920TP	2	45	SS7110740TP	16	53
RO037180100	12	3	SS4080620TP	14	34	SS7110740TP	22	9
RO044240100	8	13	SS4080620TP	18	9	SS7111120SP	16	59
RO078190100	16	66	SS4080620TP	36	2	SS7120770SH	14	6
RO092270200	14	16	SS4090615SP	8	19	SS7121410TP	16	56
RO098240100	28	6	SS4110515SP	12	16	SS7681650TP	8	14
RO195240100	26	2	SS4110515SP	14	37	SS8090670SP	2	41
SD0460703TP	18	2	SS4110715SP	18	28	SS8110410TP	10	13
SD0460703TP	36	10	SS4110915TP	10	33	SS8110520TP	18	22
SD0500131TP	36	8	SS4120615SP	2	29	SS8150710TP	2	42
SD0600361SP	18	46	SS4120615SP	12	27	SS8150710TP	14	29
SD0630275SP	18	18	SS4120615SP	26	4	SS8151150TP	8	1
SD0640631TP	20	48	SS4120915SP	2	50	SS8660610TP	8	31
SD0641451SP	18	17	SS4120915SP	4	50	SS8660610TP	16	63
SD0650321TP	24	4	SS4120915SP	10	39	SS8660810TP	10	22
SD0700451TP	36	20	SS4120915SP	24	27	SS8660810TP	12	37
SD0700711TP	36	44	SS4120915SP	30	40	SS8681650TP	8	11
SD0720331SP	12	12	SS4150915SP	12	17	SV4030601SN	30	6
SD1000801SH	14	47	SS4150915SP	18	47	SV4030802SN	30	5
SE4301041SR	26	16	SS4150915SP	26	24	TA0850604R0	2	5
SL4030631SC	24	3	SS4151215SP	20	57	TA0850604R0	10	1
SL4030641SE	24	22	SS4151215SP	22	11	TA1250406R0	4	49
SL4030681SC	30	14	SS6060210SP	4	54	TA1250705R0	2	6
SL4030851SF	26	23	SS6080410SP	2	3	TA2000502R0	2	16
SL4031081SC	30	23	SS6090510TP	18	16	TA2101002R0	2	19
SL4031281SC	30	17	SS6090540SP	24	25	WP0450826SC	6	23
SL4040681SC	30	32	SS6090620TP	14	41	WP0480856SP	16	57
SL4040881SC	30	37	SS6090670TP	10	5	WP0482086SD	24	26
SL4041081SC	30	13	SS6090670TP	14	3	WP0531001SC	34	22
SL4042581SC	30	35	SS6090910SP	12	38	WP0621016SH	18	32
SL6040692TN	30	27	SS6110420TP	10	30	WP0722316SH	36	31

NUMERICAL INDEX OF PARTS

PART NO	PAGE	REF NO.
WP0851846SC	30	45
WP1602616SZ	22	21
WP1612616SE	34	15
WS0410002KR	20	51
WS0510002KN	34	21
WS0651310KP	26	27
WS0820002KR	30	46
WT0530002KS	4	56