

MODEL : IT-100

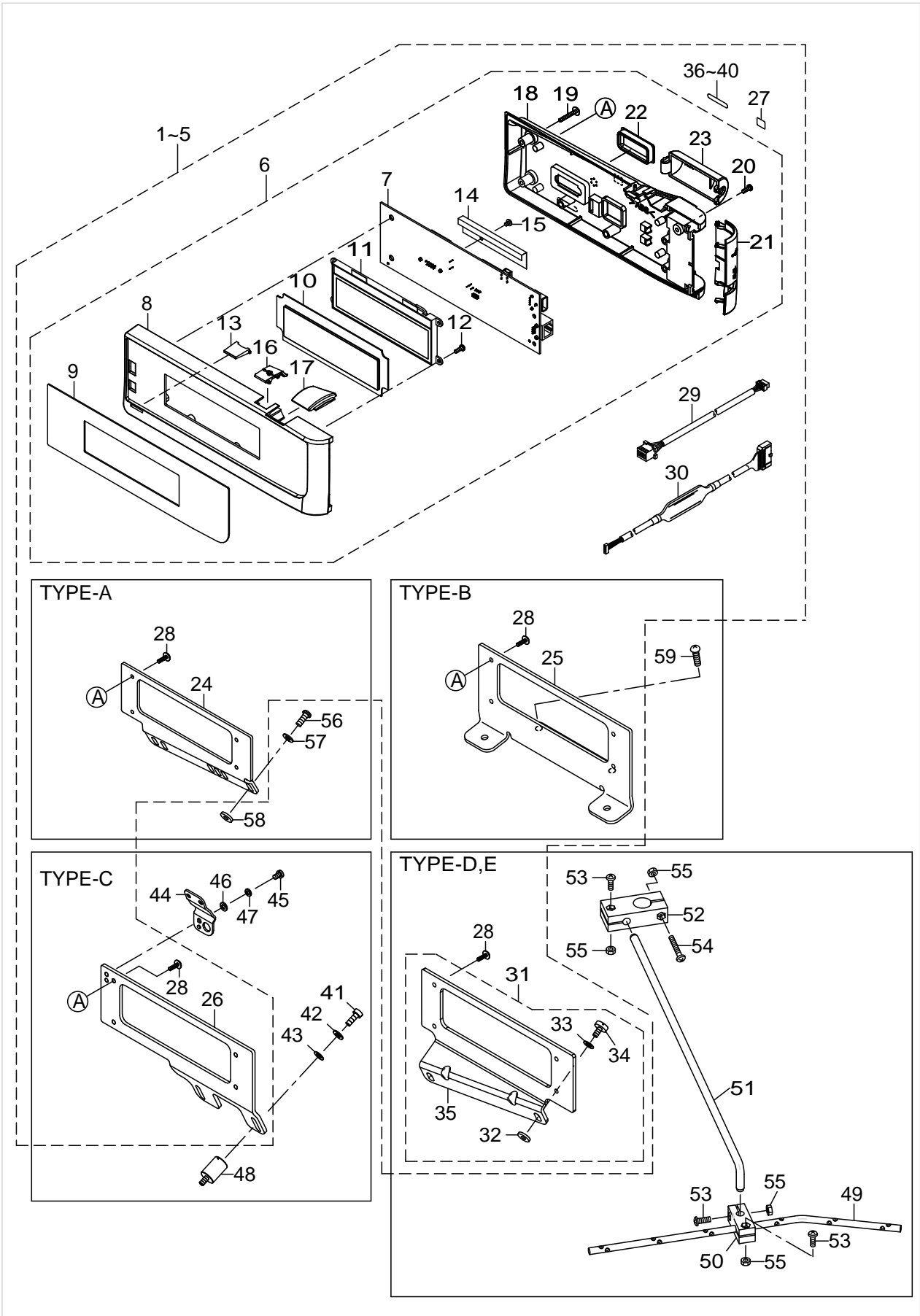
List No : 1581-03

PARTS LIST

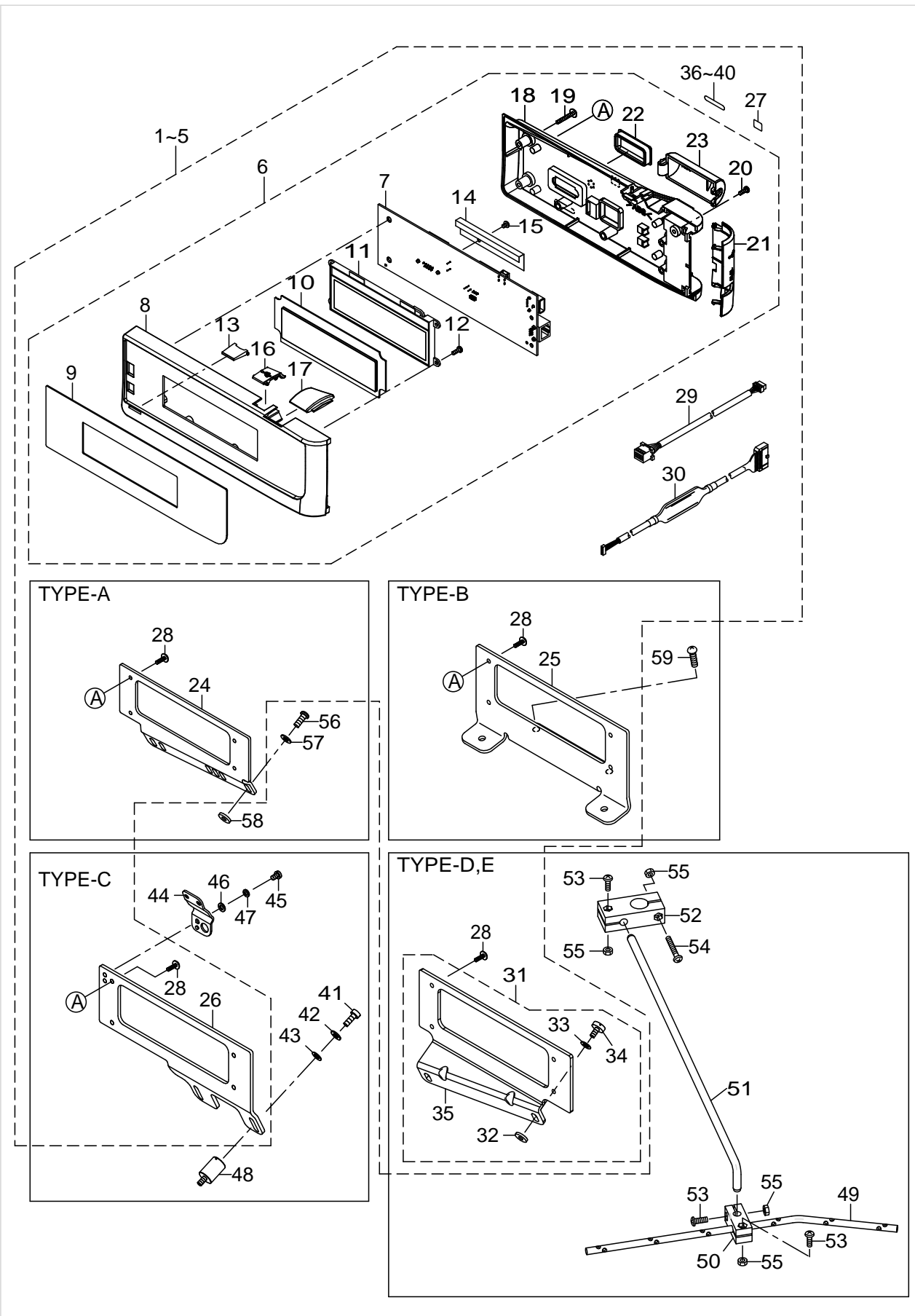
Published:09/10/2017

CONTENTS

IT-100.....	1
HOW TO MAKE USE OF THIS PARTS LIST	5



No.	Parts No.	Parts name	Remarks	Level	Cons	Qty
1	40108876	PANEL_A_ASSY	FOR TYPE A			1
2	40108877	PANEL_B_ASSY	FOR TYPE B			1
3	40108878	PANEL_C_ASSY	FOR TYPE C			1
4	40122922	PANEL_D_ASSY	FOR TYPE D			1
5	40122923	PANEL_E_ASSY	FOR TYPE E			1
6	40108879	PANEL_ASSY		*		1
7	40108880	PANEL_PCB_ASSY		*		1
8	40105708	FRONT_PANEL		*		1
9	40106354	MEMBRANE SWITCH		*		1
10	40105715	LCD_COVER		*		1
11	40105720	LCD_MODULE		*		1
12	ST4030851SN	SCREW		*		4
13	40105717	ONLINE_INDICATOR		*		1
14	40109555	METAL_FOIL_SHEET		*		1
15	SM4030401SN	SCREW M3 L=4		*		1
16	40105714	CONNECTOR_COVER_B		*		1
17	40105716	POWER_INDICATOR		*		1
18	40105707	BACK_PANEL		*		1
19	SV4032001SN	SCREW		*		4
20	ST4030851SN	SCREW		*		1
21	40105713	CONNECTOR_COVER_A		*		1
22	40005848	D-SUB 9P COVER		*		1
23	40105188	CORD_EXIT_COVER		*		1
24	40106337	PANEL_BRACKET	FOR TYPE A	*		1
25	40106338	PANEL_BRACKET_B	FOR TYPE B	*		1
26	40106136	PANEL_BRACKET_C	FOR TYPE C	*		1
27	CM500100003	CE LABEL		*		1
28	SV4031001SN	SCREW		*		4
29	40108447	PANEL CABLE ASSY	FOR TYPE A,B,C	*		1
30	40119704	CONVERTER_CABLE_ASSY	FOR TYPE D,E	*		1
31	40157794	PANEL BRACKET ASSY	FOR TYPE D,E	*		1
32	B1144771000	FRAME SIDE COVER GASKET (C)		*		2
33	WT0530002KS	TOOTHED WASHER D=5.3		*		2
34	SS6121030SN	SCREW 3/16-28 L=10		*		2
35	40123001	PANEL_BRACKET		*		1
36	40044616	TYPE LABEL A	FOR TYPE A	*		1
37	40044617	TYPE LABEL B	FOR TYPE B	*		1
38	40108699	TYPE LABEL C0A	FOR TYPE C	*		1
39	40115767	TYPE LABEL D0C	FOR TYPE D	*		1
40	40024479	TYPE LABEL E0A	FOR TYPE E	*		1
41	SS6111210SP	SCREW 11/64-40 L=12	ACCESSORIE PARTS			2
42	WP0501016SD	WASHER 5X10.5X1	ACCESSORIE PARTS			2
43	WT0530002KS	TOOTHED WASHER D=5.3	ACCESSORIE PARTS			2
44	40106867	PANEL_THREAD_GUIDE	ACCESSORIE PARTS			1
45	SM4040601SC	SCREW M4X0.7 L=6	ACCESSORIE PARTS			1
46	WP0430800SC	WASHER M4	ACCESSORIE PARTS			1
47	WS0410002KN	SPRING WASHER M4	ACCESSORIE PARTS			1



IT-100

No.	Parts No.	Parts name	Remarks	Level	Cons	Qty
48	40106139	PANEL_BRACKET_STUD	ACCESSORIE PARTS			2
49	40106583	THREAD GUIDE 6	FOR TYPE D,E(APPEDED GOODS)			1
50	40106580	THREAD GUIDE UNDER BASE	FOR TYPE D,E(APPEDED GOODS)			1
51	40106576	THREAD GUIDE ARM	FOR TYPE D,E(APPEDED GOODS)			1
52	40106579	THREAD GUIDE ARM BASE	FOR TYPE D,E(APPEDED GOODS)			1
53	SM4041201SC	SCREW M4 L=12	FOR TYPE D,E(APPEDED GOODS)			3
54	SM4042501SC	SCREW M4X0.7 L=25	FOR TYPE D,E(APPEDED GOODS)			1
55	NM6040002SC	NUT M4	FOR TYPE D,E(APPEDED GOODS)			4
56	SS4121215SP	SCREW 3/16-28 L=12	ACCESSORIE PARTS			2
57	WP0501016SD	WASHER 5X10.5X1	ACCESSORIE PARTS			2
58	B1144771000	FRAME SIDE COVER GASKET (C)	ACCESSORIE PARTS			2
59	40093427	WOOD_SCREW D=5.1 L=18	ACCESSORIE PARTS			2

HOW TO MAKE USE OF THIS PARTS LIST

1.As to "#01" and "#02" refer to the "Note" given at the bottom of the respective pages.

2.Codes on the "Qty" column

- Each numeral indicates the number of parts required.
- "0.1" and "2.5" indicate the length (in meters) of the respective parts.

3.Parentheses mean that the corresponding part is a subpart that constructs an assembly part.

4.Dotted lines on the Figures indicate assembly parts.

1. リストページの# 0 1、# 0 2の印は、ページ下の"注記"の説明を参照下さい。
2. 数量欄の数字は、個数を表し、0. 1、2. 5等の数値は、長さ（単位メートル）を表します。
3. 数量欄の（ ）は、組部品を構成している子部品であることを意味します。
4. イラストページの-----枠は、組構成であることを意味します。

NUMERICAL INDEX OF PARTS

PART NO	PAGE	REF NO.	PART NO	PAGE	REF NO.
40005848	2	22	SM4042501SC	4	54
40024479	2	36~40	SS4121215SP	4	56
40044616	2	36~40	SS6111210SP	2	41
40044617	2	36~40	SS6121030SN	2	34
40093427	4	59	ST4030851SN	2	20
40105188	2	23	SV4031001SN	2	28
40105707	2	18	SV4032001SN	2	19
40105708	2	8	WP0430800SC	2	46
40105713	2	21	WP0501016SD	2	57
40105714	2	16	WP0501016SD	4	57
40105715	2	10	WS0410002KN	2	47
40105716	2	17	WT0530002KS	2	43
40105717	2	13			
40105720	2	11			
40106136	2	26			
40106139	4	48			
40106337	2	24			
40106338	2	25			
40106354	2	9			
40106576	4	51			
40106579	4	52			
40106580	4	50			
40106583	4	49			
40106867	2	44			
40108447	2	29			
40108699	2	36~40			
40108876	2	1~5			
40108877	2	1~5			
40108878	2	1~5			
40108879	2	6			
40108880	2	7			
40109555	2	14			
40115767	2	36~40			
40119704	2	30			
40122922	2	1~5			
40122923	2	1~5			
40123001	2	35			
40157794	2	31			
B1144771000	2	58			
B1144771000	4	58			
CM500100003	2	27			
NM6040002SC	4	55			
SM4030401SN	2	15			
SM4040601SC	2	45			
SM4041201SC	4	53			