

MODEL : IT-20
List No : 1579-02

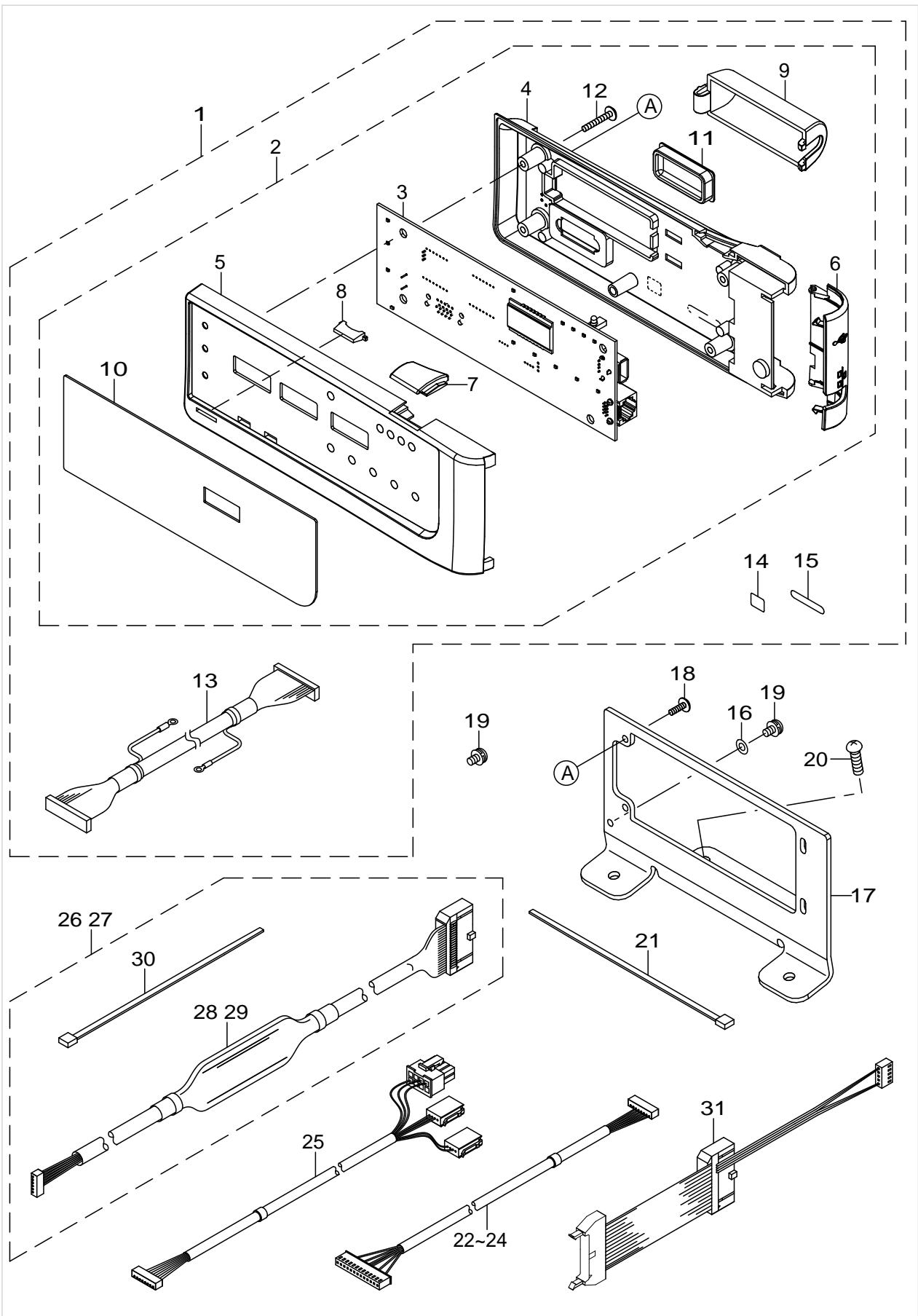
PARTS LIST

Published:09/10/2017

CONTENTS

TYPE A.....	1
HOW TO MAKE USE OF THIS PARTS LIST	3

TYPE A



TYPE A

No.	Parts No.	Parts name	Remarks	Level	Cons	Qty
1	40105548	TERMINAL_A_ASSY				1
2	40105549	TERMINAL_ASSY		*		1
3	40105533	TERMINAL_PCB_ASSY		*		1
4	40105836	BACK_PANEL		*		1
5	40105184	FRONT_PANEL		*		1
6	40105185	CONNECTOR_COVER		*		1
7	40105186	POWER_INDICATOR		*		1
8	40105187	ONLINE_INDICATOR		*		1
9	40105837	CORD_EXIT_COVER		*		1
10	40106352	MEMBRANE SWITCH		*		1
11	40005848	D-SUB 9P COVER		*		1
12	SV4032001SN	SCREW		*		4
13	40105540	TERMINAL CABLE ASSY		*		1
14	CM500100003	CE LABEL		*		1
15	40044616	TYPE LABEL A		*		1
16	WT0430002KN	WASHER M4	ACCESSORIE PARTS			1
17	40105994	PANEL_BRACKET_B	ACCESSORIE PARTS			1
18	SV4031001SN	SCREW	ACCESSORIE PARTS			4
19	SL4040891SC	SCREW M4 L=8	ACCESSORIE PARTS			2
20	40093427	WOOD_SCREW D=5.1 L=18	ACCESSORIE PARTS			2
21	EA9500B0200	CABLE BAND 150	ACCESSORIE PARTS			1
22	40105536	SC CABLE A-ASSY	OPTIONAL PARTS			1
23	40105537	SC CABLE B-ASSY	OPTIONAL PARTS			1
24	40105539	SC CABLE D-ASSY	OPTIONAL PARTS			1
25	40105538	SC CABLE C-ASSY	OPTIONAL PARTS			1
26	40105566	MC CABLE E-SET	OPTIONAL PARTS			1
27	40105567	MC CABLE F-SET	OPTIONAL PARTS			1
28	40105569	MC PCB E-ASSY		*		1
29	40105570	MC PCB F-ASSY		*		1
30	EA9500B0200	CABLE BAND 150		*		2
31	40105568	MC CABLE G-ASSY	OPTIONAL PARTS			1

HOW TO MAKE USE OF THIS PARTS LIST

1.As to "#01" and "#02" refer to the "Note" given at the bottom of the respective pages.

2.Codes on the "Qty" column

- Each numeral indicates the number of parts required.
- "0.1" and "2.5" indicate the length (in meters) of the respective parts.

3.Parentheses mean that the corresponding part is a subpart that constructs an assembly part.

4.Dotted lines on the Figures indicate assembly parts.

1. リストページの# 0 1、# 0 2の印は、ページ下の"注記"の説明を参照下さい。
2. 数量欄の数字は、個数を表し、0. 1、2. 5等の数値は、長さ（単位メートル）を表します。
3. 数量欄の（ ）は、組部品を構成している子部品であることを意味します。
4. イラストページの-----枠は、組構成であることを意味します。

NUMERICAL INDEX OF PARTS

PART NO	PAGE	REF NO.
40005848	2	11
40044616	2	15
40093427	2	20
40105184	2	5
40105185	2	6
40105186	2	7
40105187	2	8
40105533	2	3
40105536	2	22~24
40105537	2	22~24
40105538	2	25
40105539	2	22~24
40105540	2	13
40105548	2	1
40105549	2	2
40105566	2	26·27
40105567	2	26·27
40105568	2	31
40105569	2	28·29
40105570	2	28·29
40105836	2	4
40105837	2	9
40105994	2	17
40106352	2	10
CM500100003	2	14
EA9500B0200	2	30
SL4040891SC	2	19
SV4031001SN	2	18
SV4032001SN	2	12
WT0430002KN	2	16