

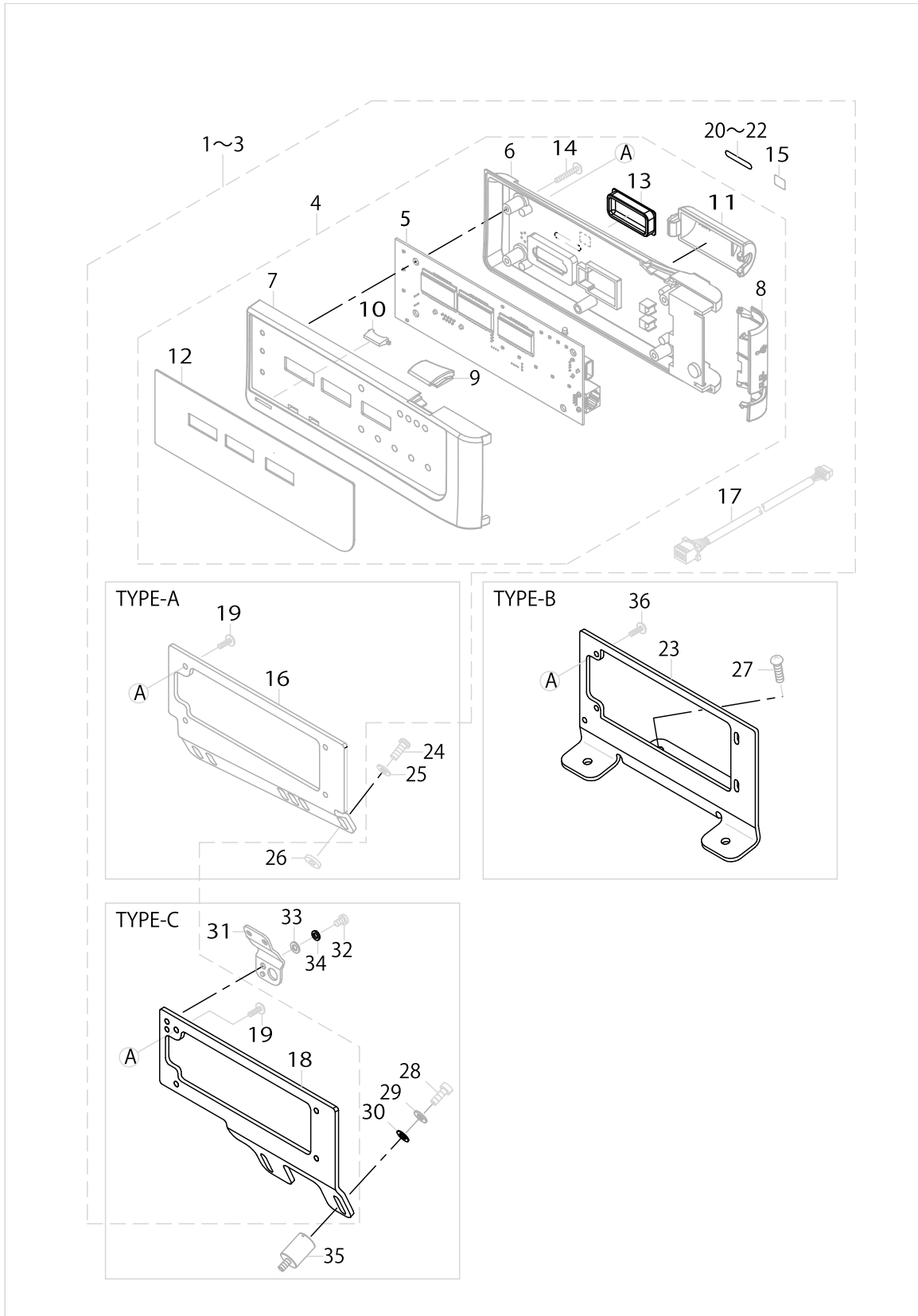
MODEL : IT-10
List No : 1577-01

PARTS LIST

Published:09/10/2017

CONTENTS

IT-10.....	1
HOW TO MAKE USE OF THIS PARTS LIST	3



No.	Parts No.	Parts name	Remarks	Level	Cons	Qty
1	40108380	PANEL_A_ASSY	FOR TYPE A			1
2	40108381	PANEL_B_ASSY	FOR TYPE B			1
3	40108382	PANEL_C_ASSY	FOR TYPE C			1
4	40108424	PANEL_ASSY		*		1
5	40104471	PANEL_PCB_ASSY		*		1
6	40105183	BACK_PANEL		*		1
7	40105184	FRONT_PANEL		*		1
8	40105185	CONNECTOR_COVER		*		1
9	40105186	POWER_INDICATOR		*		1
10	40105187	ONLINE_INDICATOR		*		1
11	40105188	CORD_EXIT_COVER		*		1
12	40106350	MEMBRANE SWITCH		*		1
13	40005848	D-SUB 9P COVER		*		1
14	SV4032001SN	SCREW		*		4
15	CM500100003	CE LABEL		*		1
16	40105251	PANEL_BRACKET	FOR TYPE A	*		1
17	40108447	PANEL CABLE ASSY		*		1
18	40105995	PANEL_BRACKET_C	FOR TYPE C	*		1
19	SV4031001SN	SCREW		*		4
20	40044616	TYPE LABEL A	FOR TYPE A	*		1
21	40044617	TYPE LABEL B	FOR TYPE B	*		1
22	40108699	TYPE LABEL C0A	FOR TYPE C	*		1
23	40105994	PANEL_BRACKET_B	FOR TYPE B			1
24	SS4121215SP	SCREW 3/16-28 L=12	ACCESSORIE PARTS			2
25	WP0501016SD	WASHER 5X10.5X1	ACCESSORIE PARTS			2
26	B1144771000	FRAME SIDE COVER GASKET (C)	ACCESSORIE PARTS			2
27	40093427	WOOD_SCREW D=5.1 L=18	ACCESSORIE PARTS			2
28	SS6111210SP	SCREW 11/64-40 L=12	ACCESSORIE PARTS			2
29	WP0501016SD	WASHER 5X10.5X1	ACCESSORIE PARTS			2
30	WT0530002KS	TOOTHED WASHER D=5.3	ACCESSORIE PARTS			2
31	40106867	PANEL_THREAD_GUIDE	ACCESSORIE PARTS			1
32	SM4040601SC	SCREW M4X0.7 L=6	ACCESSORIE PARTS			1
33	WP0430800SC	WASHER M4	ACCESSORIE PARTS			1
34	WS0410002KN	SPRING WASHER M4	ACCESSORIE PARTS			1
35	40106139	PANEL_BRACKET_STUD	ACCESSORIE PARTS			2
36	SV4031001SN	SCREW				4

HOW TO MAKE USE OF THIS PARTS LIST

1.As to "#01" and "#02" refer to the "Note" given at the bottom of the respective pages.

2.Codes on the "Qty" column

- Each numeral indicates the number of parts required.
- "0.1" and "2.5" indicate the length (in meters) of the respective parts.

3.Parentheses mean that the corresponding part is a subpart that constructs an assembly part.

4.Dotted lines on the Figures indicate assembly parts.

1. リストページの# 0 1、# 0 2の印は、ページ下の"注記"の説明を参照下さい。
2. 数量欄の数字は、個数を表し、0. 1、2. 5等の数値は、長さ（単位メートル）を表します。
3. 数量欄の（ ）は、組部品を構成している子部品であることを意味します。
4. イラストページの-----枠は、組構成であることを意味します。

NUMERICAL INDEX OF PARTS

PART NO	PAGE	REF NO.
40005848	2	13
40044616	2	20~22
40044617	2	20~22
40093427	2	27
40104471	2	5
40105183	2	6
40105184	2	7
40105185	2	8
40105186	2	9
40105187	2	10
40105188	2	11
40105251	2	16
40105994	2	23
40105995	2	18
40106139	2	35
40106350	2	12
40106867	2	31
40108380	2	1~3
40108381	2	1~3
40108382	2	1~3
40108424	2	4
40108447	2	17
40108699	2	20~22
B1144771000	2	26
CM500100003	2	15
SM4040601SC	2	32
SS4121215SP	2	24
SS6111210SP	2	28
SV4031001SN	2	36
SV4032001SN	2	14
WP0430800SC	2	33
WP0501016SD	2	29
WS0410002KN	2	34
WT0530002KS	2	30