

MODEL : LZ-2280N/LZ-2280N-7

List No : 1571-01

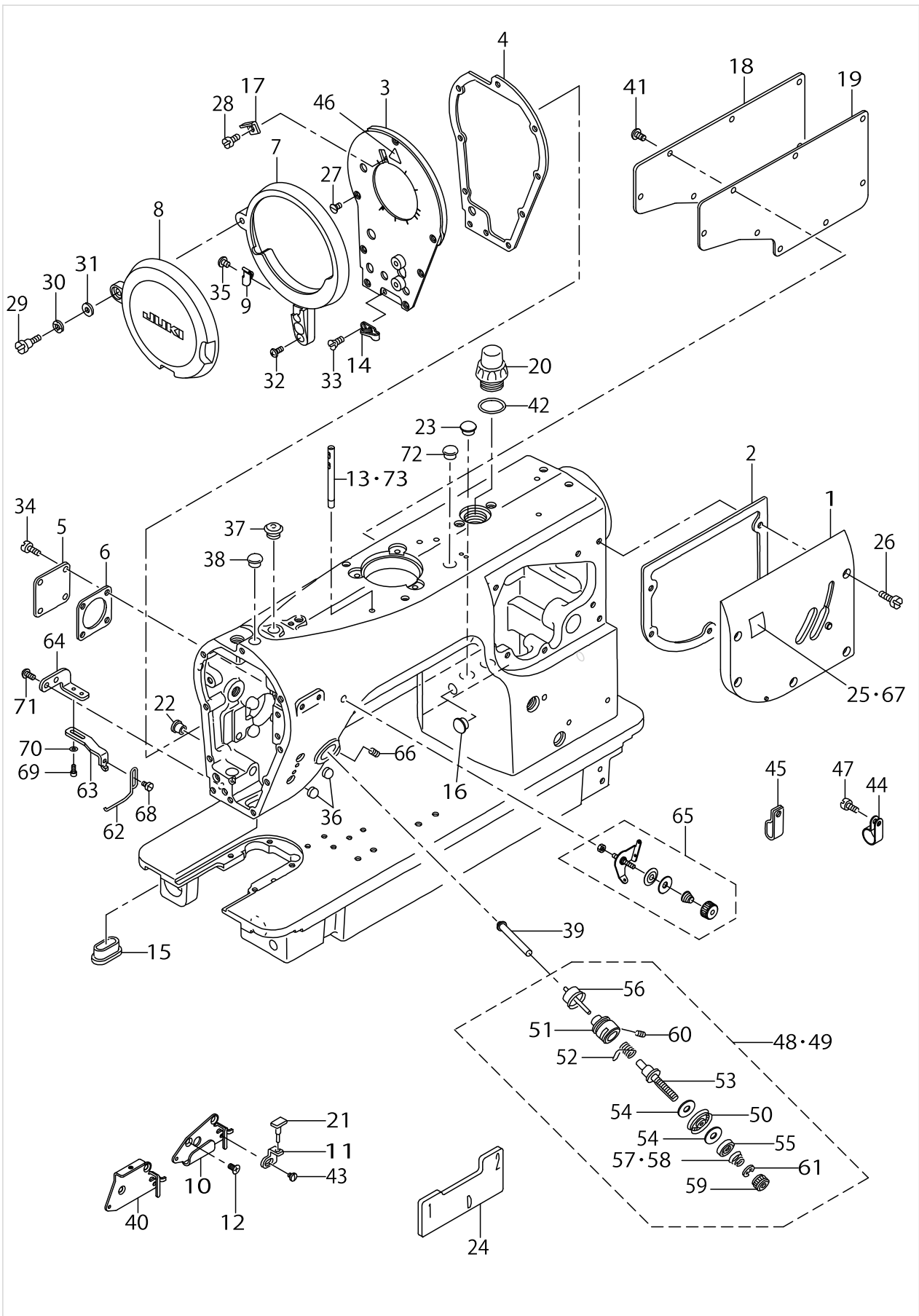
PARTS LIST

Published:09/10/2017

CONTENTS

FRAME & MISCELLANEOUS COVER COMPONENTS (1)	1
FRAME & MISCELLANEOUS COVER COMPONENTS (2)	5
FRAME & MISCELLANEOUS COVER COMPONENTS (3)	7
MAIN SHAFT & NEEDLE BAR COMPONENTS	9
NEEDLE VIBRATOR & ADJUSTMENT COMPONENTS (1)	13
NEEDLE VIBRATOR & ADJUSTMENT COMPONENTS (2)	15
PRESSER BAR & FEED REGULATOR COMPONENTS	19
FEED MECHANISM & CONDENSE COMPONENTS	23
FEED MECHANISM COMPONENTS	25
HOOK DRIVING SHAFT & HOOK COMPONENTS	29
LUBRICATION COMPONENTS	33
THREAD TRIMMER MECHANISM COMPONENTS	37
UPPER THREAD FEEDER COMPONENTS	41
AUTOMATIC REVERSE FEED MECHANISM COMPONENTS	43
WIPER MECHANISM COMPONENTS	45
THREAD STAND COMPONENTS	47
CP PANEL COMPONENTS	49
BELT COVER COMPONENTS	51
OIL RESERVOIR & KNEE LIFTER COMPONENTS	53
EXCLUSIVE PARTS FOR LZ-2286NT	55
EXCLUSIVE PARTS FOR LZ-2285N (1)	57
EXCLUSIVE PARTS FOR LZ-2285N (2)	61
EXCLUSIVE PARTS FOR LZ-2281N	65
EXCLUSIVE PARTS FOR LZ-2282N(-7) (1)	67
EXCLUSIVE PARTS FOR LZ-2282N(-7) (2)	71
EXCLUSIVE PARTS FOR LZ-2284NU(-7)	75
EXCLUSIVE PARTS FOR LZ-2284N(-7),LZ-2284C-7 (1)	77
EXCLUSIVE PARTS FOR LZ-2284N(-7),LZ-2284C-7 (2)	81
SPECIAL ORDER PARTS (1)	85
SPECIAL ORDER PARTS (2)	87
EXCLUSIVE PARTS FOR LZ-2284C-7 (1)	91
EXCLUSIVE PARTS FOR LZ-2284C-7 (2)	93
EXCLUSIVE PARTS FOR LZ-2284C-7 (3) (TABLE COMPONENTS/JT-Z710)	95
EXCLUSIVE PARTS FOR LZ-2284C-7 (4) (TABLE COMPONENTS/JT-Z71A,JT-Z71B)	97
EXCLUSIVE PARTS FOR LZ-2284C-7 (5)	99
EXCLUSIVE PARTS FOR LZ-2284C-7 (6) (ACCESSORIES PARTS COMPONENTS)	101
LIST FOR INFORMATION OF CHANGE	103
HOW TO MAKE USE OF THIS PARTS LIST	104

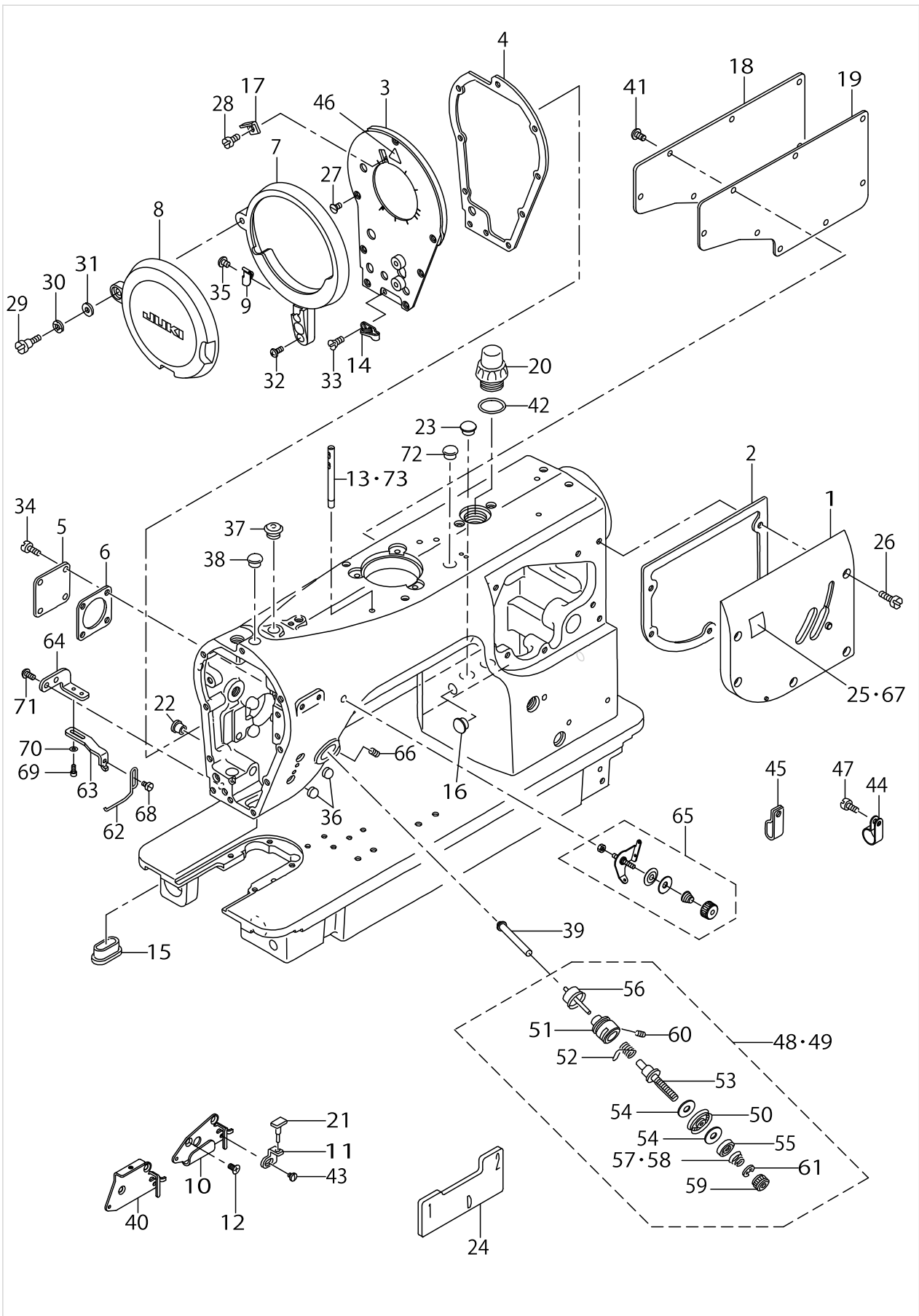
FRAME & MISCELLANEOUS COVER COMPONENTS (1)



FRAME & MISCELLANEOUS COVER COMPONENTS (1)

No.	Parts No.	Parts name	Remarks	Level	Cons	Qty
1	26304758	ARM SIDE COVER COMPL.				1
2	22501209	GASKET				1
3	23500978	FACE PLATE COMPL.				1
4	22501506	GASKET				1
5	22501605	TENSION RELEASE WINDOW PLATE				1
6	22501704	GASKET				1
7	26305102	BALANCE COVER BASE				1
8	22502108	BALANCE COVER				1
9	26305300	SPRING				1
10	22504104	BALANCE THREAD GUIDE A	VARIOUS NOS.FOR DESTINATIONS			1
11	22502702	SPRING GUARD				1
12	SS1110821TP	SCREW 11/64-40 L=8.3				2
13	22958300	NEEDLE THREAD GUIDE PIN				1
14	26305409	SPRING GUARD				1
15	10000206	ARM OIL SHIELD				1
16	TA1050504R0	RUBBER PLUG				1
17	10001709	TAKE-UP THREAD CUTTER				1
18	22900401	WINDOW PLATE				1
19	40012129	SIDE PLATE PACKING				1
20	22947006	OIL SIGHT WINDOW				1
21	11043601	RUBBER STOPPER				1
22	TA0800504R0	PLUG D=8 L=4.5				1
23	TA1050504R0	RUBBER PLUG				2
24	22536403	TIMMING GAUG D				1
25	23516206	OPERATION SEAL	FOR LZ-2284N(-7), LZ-2284NU(-7),LZ-2284C-7			1
26	SS4121415SP	SCREW 3/16-28 L=14				5
27	SS1110840SP	SCREW 11/64-40 L=8				7
28	SS7080410SP	SCREW 1/8-44 L= 3.8				1
29	SD0640751SP	HINGE SCREW D= 6.35 H= 7.5				1
30	WZ0641510KP	WAVED WASHER 6.4X11X0.3				1
31	WP0651056SD	WASHER 6.5X11X1				1
32	SS4110915SP	SCREW 11/64-40 L=9				2
33	SS2090710SP	SCREW 9/64-40 L=7				1
34	SS4120615SP	SCREW 3/16-28 L=6				4
35	SS4120615SP	SCREW 3/16-28 L=6				1
36	GPR01015000	DRIVING STOPPER RUBBER				2
37	TA1250705R0	RUBBER PLUG				1
38	TA1100604R0	PLUG				1
39	22528616	THREAD RELEASE				1
40	26312504	BALANCE THREAD GUIDE T	VARIOUS NOS.FOR DESTINATIONS			1
41	SS4120915SP	SCREW 3/16-28 L=9				8
42	RO195240100	RUBBER RING				1
43	SS7090410SP	SCREW 9/64-40 L= 3.5				1
44	EA9502B0200	CABLE CLIP C	FOR LZ-228*N-7			1
45	D2112555B00	CORD HOLDER LARGE	FOR LZ-228*N-7			2
46	CM300200001	ATTENTION SEAL				1

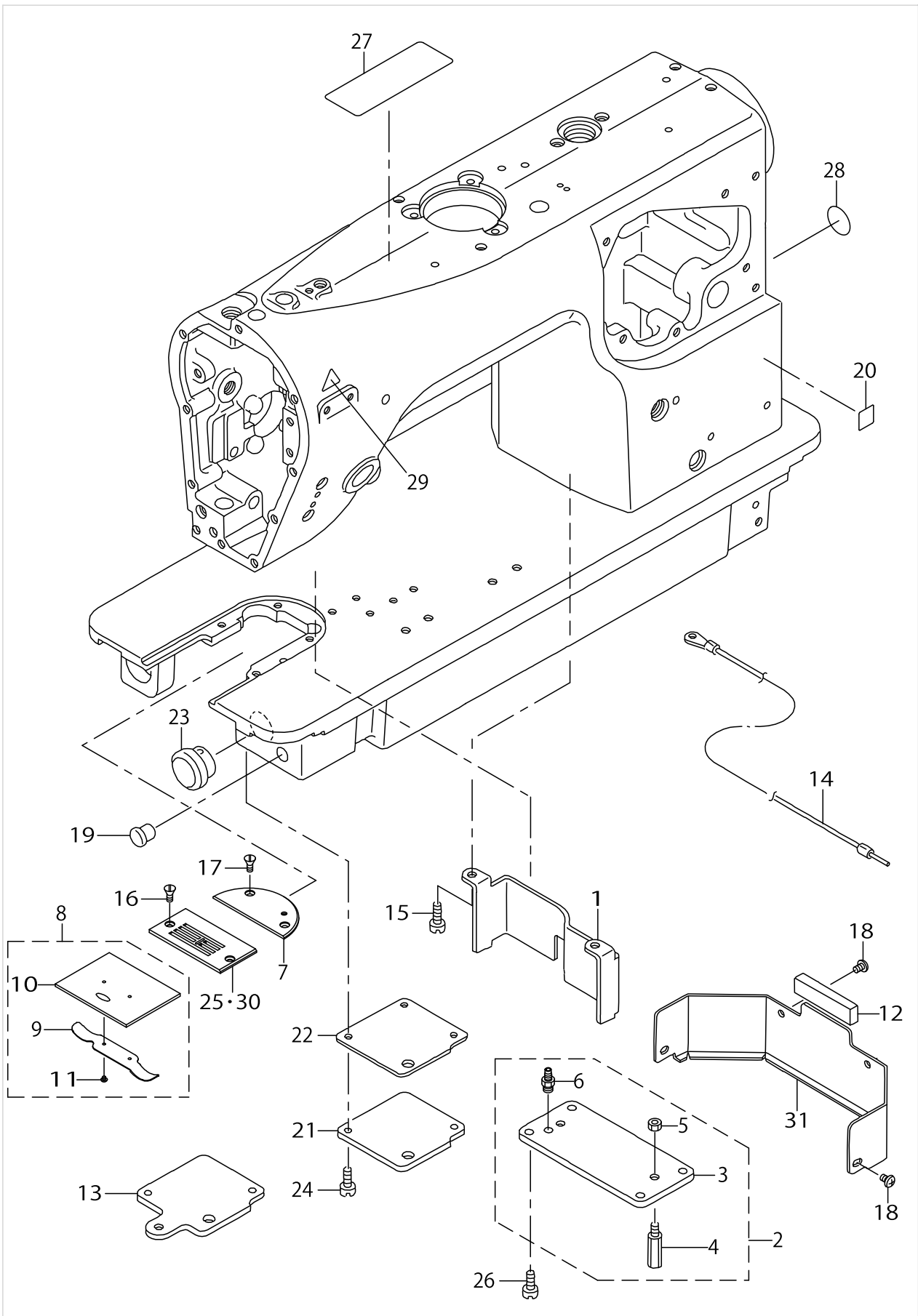
FRAME & MISCELLANEOUS COVER COMPONENTS (1)



FRAME & MISCELLANEOUS COVER COMPONENTS (1)

No.	Parts No.	Parts name	Remarks	Level	Cons	Qty
47	SS4121015SP	SCREW 3/16-28 L=10	FOR LZ-228*N-7			1
48	22528061	THREAD TENSION ASM.	VARIOUS NOS.FOR DESTINATIONS			1
49	22528467	THREAD TENSION ASM.	VARIOUS NOS.FOR DESTINATIONS			1
50	23547557	THREAD TENSION T COMPL.		*		1
51	22528152	THREAD TENSION ROD ASM.		*		1
52	10006104	TAKE-UP SPRING		*		1
53	10005668	THREAD TENSION POST ASM.		*		1
54	22528509	FELT		*		2
55	10006005	TENSION DISC HOLDER		*		1
56	10007854	TENSION RELEASE PIN ASM.		*		1
57	B3129012A00	TENSION SPRING	VARIOUS NOS.FOR DESTINATIONS	*		1
58	B3121352000	TENSION SPRING	VARIOUS NOS.FOR DESTINATIONS	*		1
59	B3116125000	TENSION NUT		*		1
60	SS8090670SP	SCREW 9/64-40 L= 5.5		*		1
61	B3120125000	ROTATING STOPPER		*		1
62	22529002	SUPPORT BALANCE	VARIOUS NOS.FOR DESTINATIONS			1
63	22529101	SUPPORT BALANCE BASE	VARIOUS NOS.FOR DESTINATIONS			1
64	22529200	MOUNTING BASE	VARIOUS NOS.FOR DESTINATIONS			1
65	40050700	PRE-TENSION CONTROLLER ASM.				1
66	SS8110750SP	SCREW 11/64-40 L= 6.5				1
67	22542708	OPERATION SEAL	FOR LZ-2281N			1
68	SS6090540SP	SCREW 9/64-40 L= 5.0	VARIOUS NOS.FOR DESTINATIONS			1
69	SS6580752TP	SCREW 1/8-40 L=7	VARIOUS NOS.FOR DESTINATIONS			2
70	WP03305000E	WASHER 3.3X6X0.5	VARIOUS NOS.FOR DESTINATIONS			2
71	SS4110915SP	SCREW 11/64-40 L=9	VARIOUS NOS.FOR DESTINATIONS			2
72	TA1250705R0	RUBBER PLUG				1
73	22502504	THREAD GUIDE BAR	FOR LZ-228*N-7			1

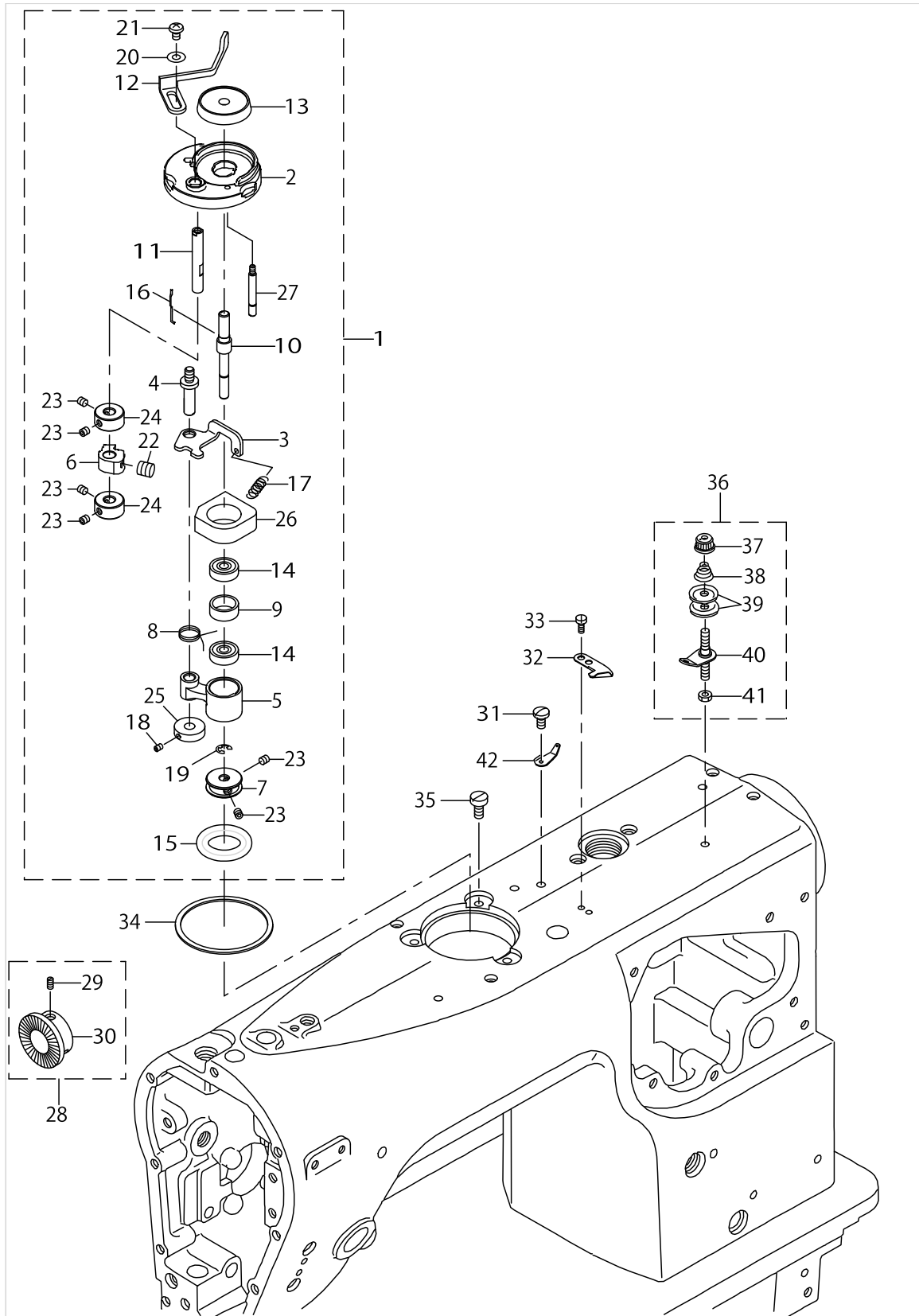
FRAME & MISCELLANEOUS COVER COMPONENTS (2)



FRAME & MISCELLANEOUS COVER COMPONENTS (2)

No.	Parts No.	Parts name	Remarks	Level	Cons	Qty
1	26304907	SUPPORT PLATE				1
2	40108981	GEAR BOX COVER ASM.				1
3	40108980	GEAR BOX COVER		*		1
4	40028555	STUD		*		2
5	NM6060001CP	NUT M6		*		2
6	SQ1150451MZ	CONNECTING SCREW		*		1
7	26300103	BED PLATE				1
8	26314757	SLIDE PLATE ASM.				1
9	22901300	SLIDE PLATE SPRING		*		1
10	26314708	SLIDE PLATE		*		1
11	SS6060210SP	SCREW 3/32-56 L= 1.9		*		2
12	10037406	OIL SHIELD RUBBER				1
13	22552400	HELICAL BEVEL GEAR BOX COVER	FOR LZ-228*N-7			1
14	11044054	GROUND WIRE ASM.	FOR LZ-228*N-7			1
15	SS4111015SP	SCREW 11/64-40 L=10				2
16	SS2090810SP	SCREW 9/64-40 L= 7.5				2
17	SS2090810SP	SCREW 9/64-40 L= 7.5				2
18	SS4110615SP	SCREW 11/64-40 L=6				2
19	TA0950806R0	RUBBER PLUG				1
20	CM600100101	WEEE MARK LABEL S	VARIOUS NOS.FOR DESTINATIONS			1
21	10031805	HELICAL BEVEL GEAR BOX COVER				1
22	10031904	GASKET				1
23	10032001	NYLON CAP				1
24	SS4110915SP	SCREW 11/64-40 L=9				3
25	22548010	NEEDLE PLATE	VARIOUS NOS.FOR DESTINATIONS			1
26	SS4110915SP	SCREW 11/64-40 L=9				4
27	CM301300001	SAFETY LABEL				1
28	22901805	GROUND MARK				1
29	CM300200002	CAUTION LABEL(25)				1
30	22548705	NEEDLE PLATE	VARIOUS NOS.FOR DESTINATIONS			1
31	10037307	OIL SHIELD PLATE				1

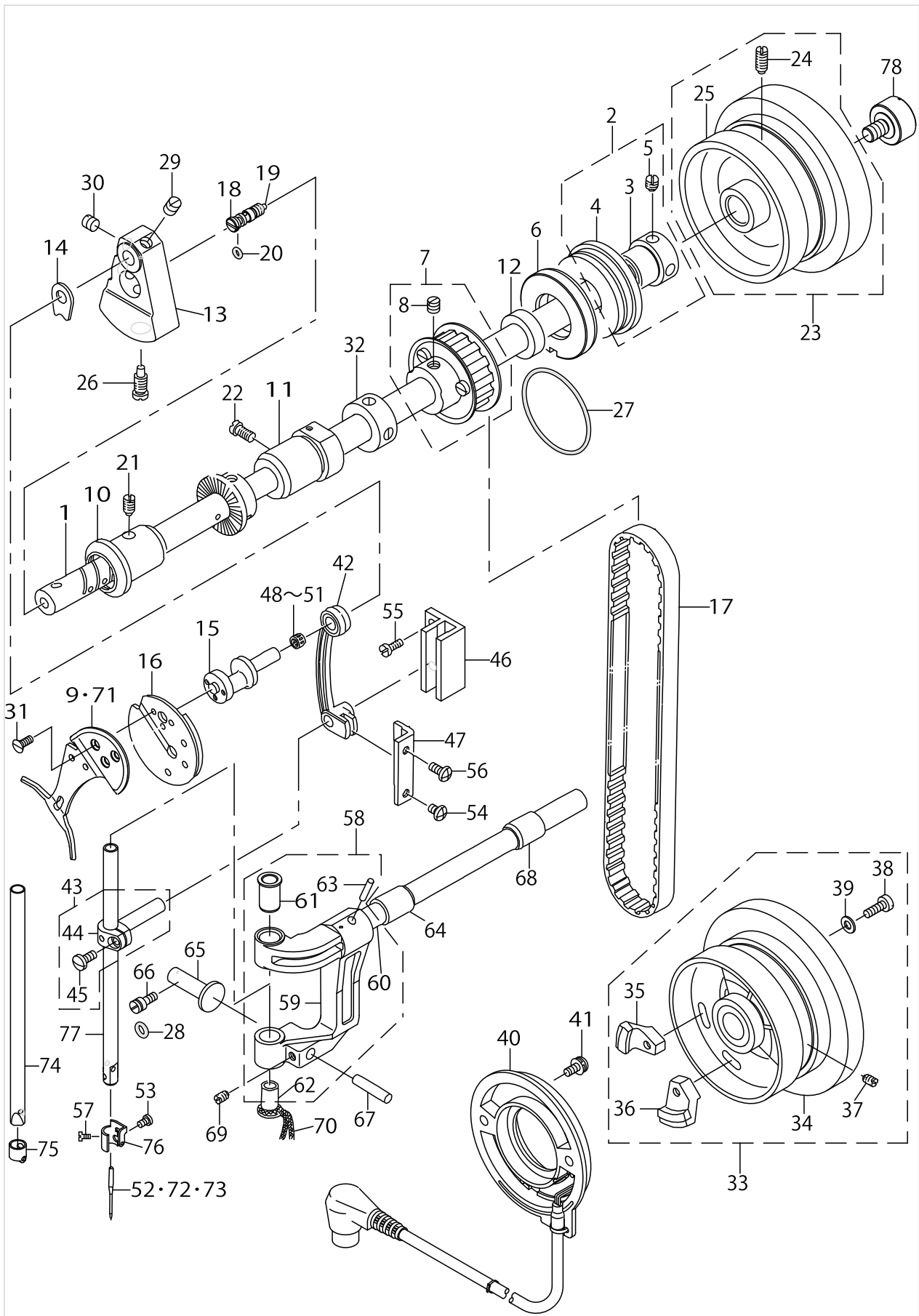
FRAME & MISCELLANEOUS COVER COMPONENTS (3)



FRAME & MISCELLANEOUS COVER COMPONENTS (3)

No.	Parts No.	Parts name	Remarks	Level	Cons	Qty
1	40034920	BOBBIN WINDER UNIT				1
2	40034904	BTW BASE		*		1
3	40031628	BTW_CAM_PLATE		*		1
4	40032138	BTW_BASE_SHAFT		*		1
5	26260406	BTW_SHAFT_BASE		*		1
6	26260505	BTW_CAM_LEVER		*		1
7	40026730	BTW WHEEL		*		1
8	40031633	BTW_TORSION_SPRING		*		1
9	26260802	BTW_BEARING_SPACER		*		1
10	40031629	BTW_SHAFT		*		1
11	40031630	BTW LEVER SHAFT		*		1
12	40021933	BTW_LEVER		*		1
13	26261206	BTW_SPACER		*		1
14	26261305	BTW_BEARING		*		2
15	A321600100A	RUBBER RING		*		1
16	26261602	BOBBIN_SPRING		*		1
17	26261701	BTW_SPRING		*		1
18	SM8030412TP	SCREW		*		1
19	RE0400000K0	E-RING 4		*		1
20	WP0450826SC	WASHER 4.5X10X0.8		*		1
21	SM5040655SN	SCREW		*		1
22	SM8050502TP	SCREW M5 L=5		*		1
23	SM8040412TP	SET SCREW M4 L=4		*		6
24	40026745	COLLAR		*		2
25	40043720	COLLAR		*		1
26	40034919	BTW PROTECT SPONGE		*		1
27	40031631	BTW_SPRING_SHAFT		*		1
28	22538854	BTW DRIVING WHEEL ASM.				1
29	SS8660610TP	SCREW 1/4-40 L=6		*		2
30	22538805	DRIVING WHEEL		*		1
31	SS7110840SP	SCREW 11/64-40 L=7.8				1
32	10502300	THREAD CUTTER				1
33	SS6090620SP	SCREW 9/64-40 L=6				2
34	22538706	PACKING				1
35	SS6121030SN	SCREW 3/16-28 L=10				3
36	22529481	BOBBIN THREAD TENSION ASM.				1
37	11072402	THREAD TENSION NUT		*		1
38	11093606	THREAD TENSION SPRING		*		1
39	B3214047000	BOBBIN WINDER TENSION DISC		*		2
40	22529473	BOBBIN THREAD TENSION ROD ASM.		*		1
41	NS6110310SP	NUT 11/64-40		*		1
42	D3162555B00	THREAD GUIDE				1

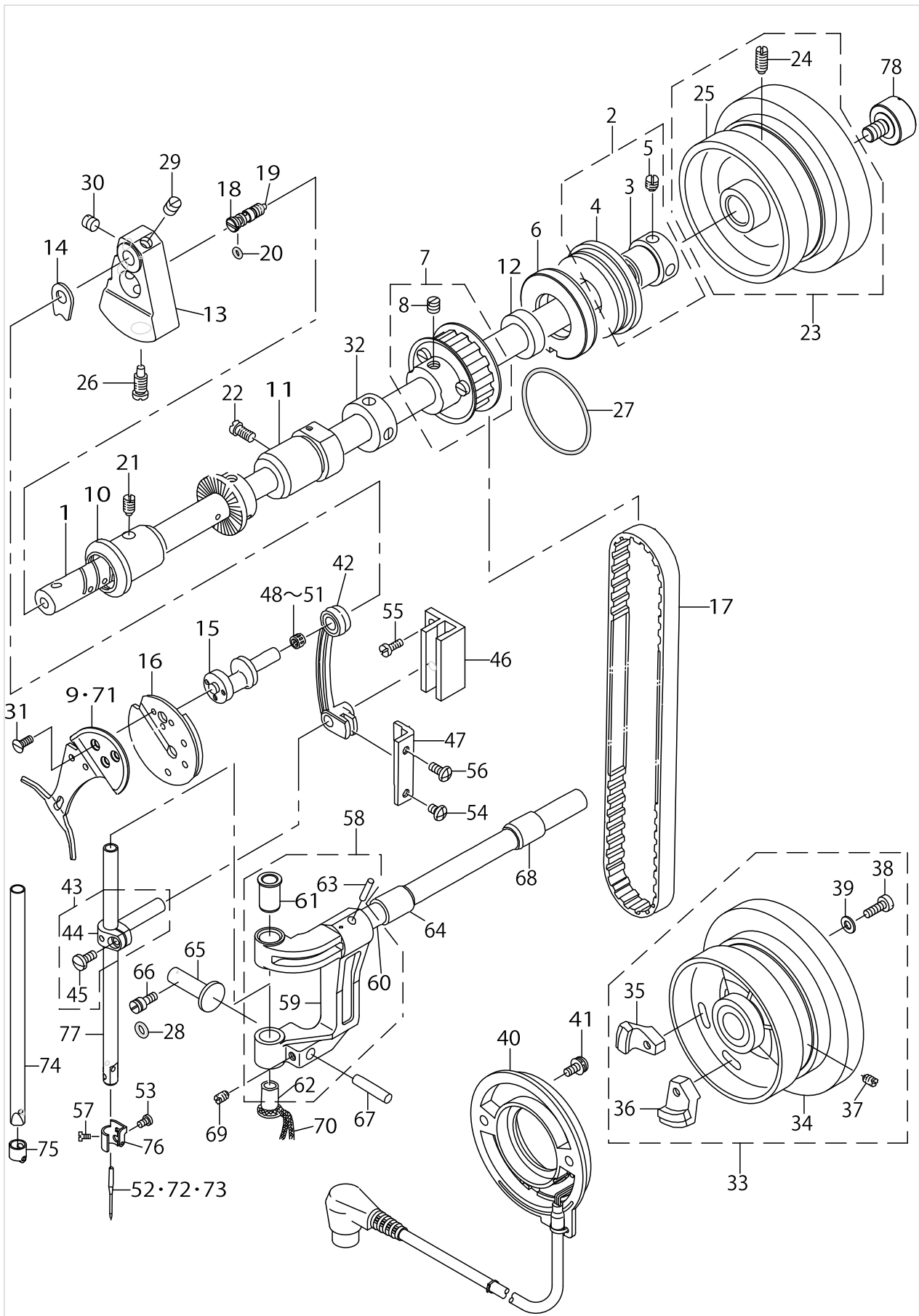
MAIN SHAFT & NEEDLE BAR COMPONENTS



MAIN SHAFT & NEEDLE BAR COMPONENTS

No.	Parts No.	Parts name	Remarks	Level	Cons	Qty
1	40109128	MAIN SHAFT				1
2	22505259	THRUST COLLAR ASM.				1
3	22505200	THRUST COLLAR		*		1
4	SB120000100	BEARING D=20X47		*		1
5	SS8660610TP	SCREW 1/4-40 L=6		*		2
6	26305516	OIL SEAL COLLAR				1
7	40044872	SPROCKET UPPER ASM.				1
8	SS8660610TP	SCREW 1/4-40 L=6		*		2
9	22506109	BALANCE	SPECIAL ORDER PARTS			1
10	40040372	MAIN SHAFT BUSHING				1
11	B1203227000A	MAIN SHAFT BUSHING INTERMEDIATE				1
12	B1208552000A	OIL SEAL				1
13	26300202	COUNTERWEIGHT				1
14	10008506	COUNTERWEIGHT PROTECTING PLATE				1
15	26300301	NEEDLE BAR CRANK				1
16	10008753	TAKE-UP COUNTERWEIGHT ASM.				1
17	22505705	TIMING BELT				1
18	26304402	PIN				1
19	B1810552000	OIL WICK				1
20	RO029180100	RUBBER RING				1
21	SS8151150SP	SCREW 15/64-28 L=10.5				1
22	SS7151120SP	SCREW 15/64-28 L=11				1
23	40101683	HAND_WHEEL_ASM.				1
24	SS8151550SP	SCREW 15/64-28 L=15		*		2
25	40101350	HAND WHEEL		*		1
26	SS7681650TP	SCREW 9/32-28 L=16				1
27	RO437200200	RUBBER RING				1
28	RO048190100	RUBBER RING				1
29	SS8660610TP	SCREW 1/4-40 L=6				2
30	SS8660610TP	SCREW 1/4-40 L=6				2
31	SS1090930SP	SCREW 9/64-40 L=8.6				3
32	22904155	MAIN SHAFT THRUST COLLAR ASM.				1
33	40108949	HAND WHEEL ASM.	FOR LZ-228*N-7			1
34	40108948	HAND WHEEL COMPL.	FOR LZ-228*N-7	*		1
35	22937254	MAGNET FITTING BASE B ASM.	FOR LZ-228*N-7	*		1
36	22937155	MAGNET FITTING BASE A ASM.	FOR LZ-228*N-7	*		1
37	SS8151550SP	SCREW 15/64-28 L=15	FOR LZ-228*N-7	*		2
38	SS6111210SP	SCREW 11/64-40 L=12	FOR LZ-228*N-7	*		2
39	WP0450801SD	WASHER 4.5X10X0.8	FOR LZ-228*N-7	*		2
40	22937965	DYNAMO STATOR	FOR LZ-228*N-7			1
41	SL4051001MZ	SCREW M5 L=9.6	FOR LZ-228*N-7			2
42	40082351	NEEDLE BAR CRANK ROD ASM.				1
43	40070532	NEEDLE_BAR_CONNECTION_ASM.				1
44	40056873	NEEDLE BAR CONNECTION		*		1
45	SS7090910TP	SCREW 9/64-40 L= 8.5		*		1
46	22508006	NEEDLE BAR CONNECTION GUIDE				1
47	26300400	CRANK ROD GUIDE				1

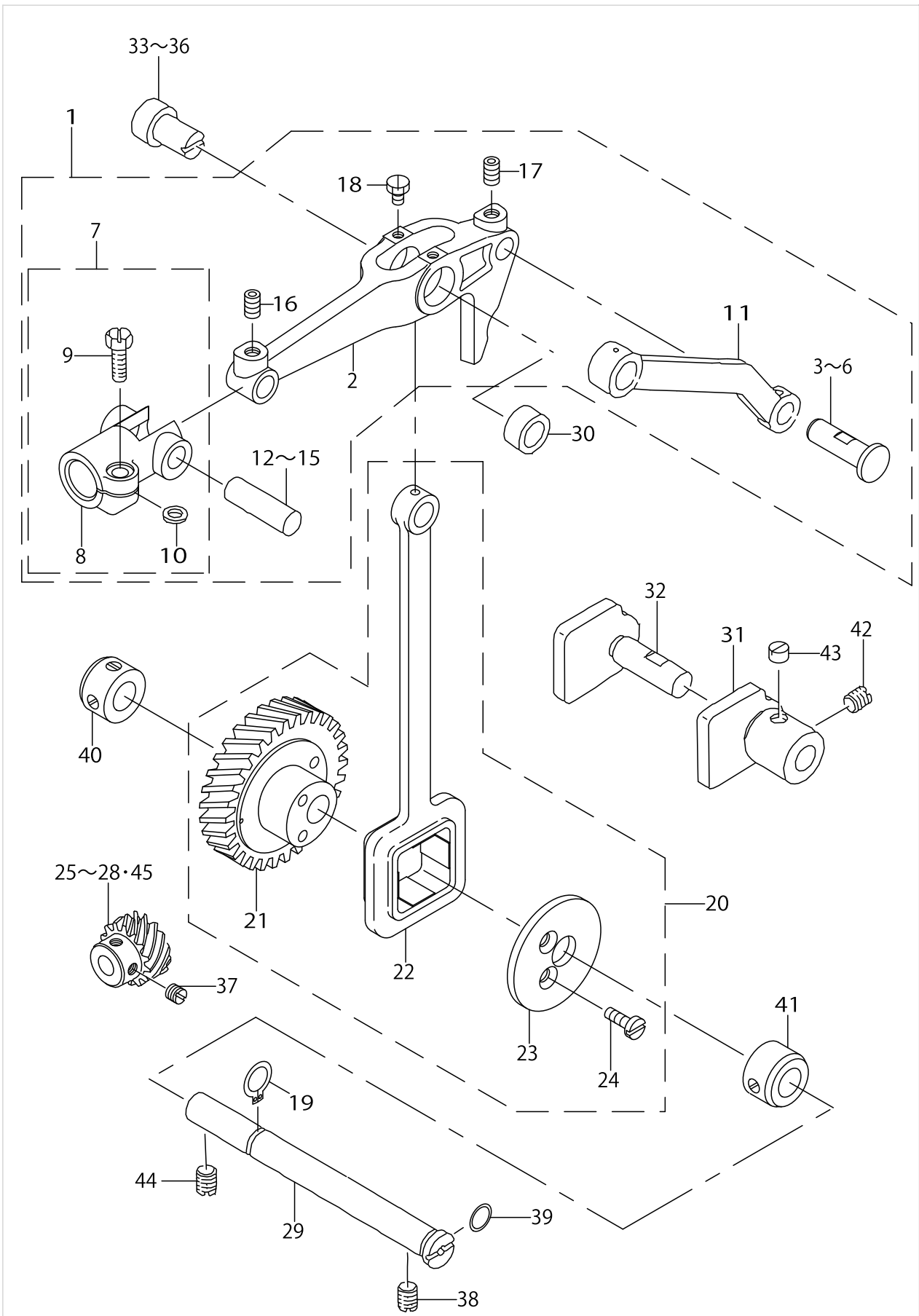
MAIN SHAFT & NEEDLE BAR COMPONENTS



MAIN SHAFT & NEEDLE BAR COMPONENTS

No.	Parts No.	Parts name	Remarks	Level	Cons	Qty
48	B1905541A00	NEEDLE BEARING	SELECTIVE PARTS			1
49	B1905541B00	NEEDLE BEARING	SELECTIVE PARTS			1
50	B1905541C00	NEEDLE BEARING	SELECTIVE PARTS			1
51	B1905541D00	NEEDLE BEARING	SELECTIVE PARTS			1
52	MC192300750	NEEDLE 438 #75	VARIOUS NOS.FOR DESTINATIONS			1
53	SS7080520SP	SCREW 1/8-44 L=4.9				1
54	SS4110615SP	SCREW 11/64-40 L=6				1
55	SS4110915SP	SCREW 11/64-40 L=9				2
56	SS4110915SP	SCREW 11/64-40 L=9				1
57	SS7060310SP	SCREW 3/32-56 L=3	VARIOUS NOS.FOR DESTINATIONS			1
58	26300962	NEEDLE BAR YOKE ASM.				1
59	26300913	NEEDLE BAR YOKE		*		1
60	22509202	SHAFT		*		1
61	10013019	NEEDLE BAR BUSHING UPPER D=7.24		*		1
62	10013118	NEEDLE BAR BUSHING LOWER D=7.24		*		1
63	PS0400252KP	SPRING PIN		*		1
64	22913008	FEED ROCKER SHAFT BUSHING				1
65	26305904	NEEDLE BAR YOKE PRESSER				1
66	26306001	SCREW				1
67	10013407	GUIDE PIN				1
68	26301408	SHAFT BUSHING REAR				1
69	SS8120740SP	SCREW 3/16-28 L=7				1
70	CQ202000000	OIL WICK				0.1
71	22506208	BALANCE V				1
72	MC2005F0700	NEEDLE 134SUK 70	VARIOUS NOS.FOR DESTINATIONS			1
73	MDP500B1000	NEEDLE DPX5 #10	VARIOUS NOS.FOR DESTINATIONS			1
74	22507818	NEEDLE ROD	VARIOUS NOS.FOR DESTINATIONS			1
75	22507701	NEEDLE ROD THREAD RACK R	VARIOUS NOS.FOR DESTINATIONS			1
76	22507404	THREAD RACK	VARIOUS NOS.FOR DESTINATIONS			1
77	40015494	NEEDLE BAR				1
78	40109125	STATOR ADAPTER	SPECIAL ORDER PARTS			1

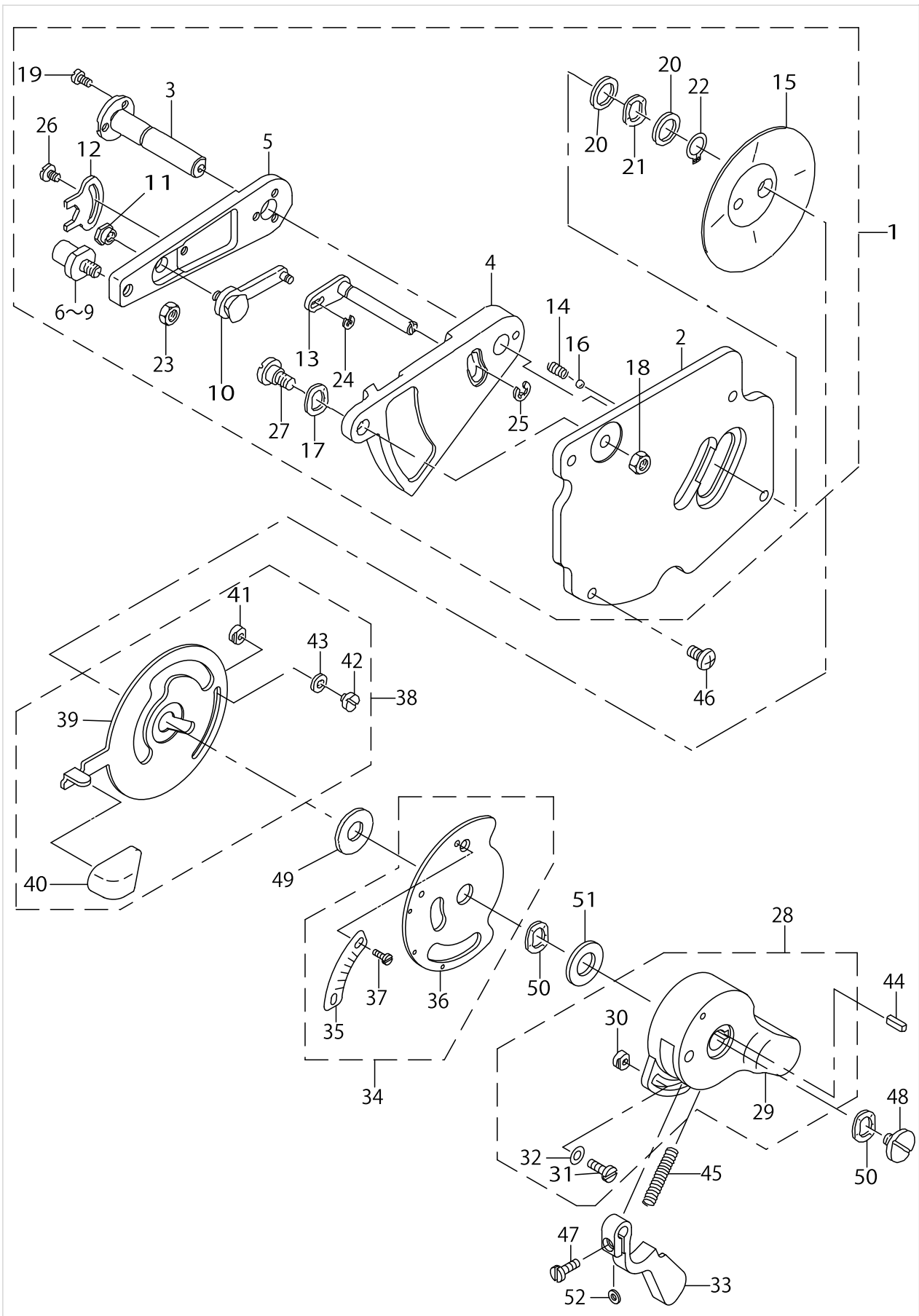
NEEDLE VIBRATOR & ADJUSTMENT COMPONENTS (1)



NEEDLE VIBRATOR & ADJUSTMENT COMPONENTS (1)

No.	Parts No.	Parts name	Remarks	Level	Cons	Qty
1	22509756	DRIVE LINK ASM.				1
2	40065490	DRIVE LINK		*		1
3	26307405	LINK	SELECTIVE PARTS	*		1
4	26307504	SHAFT	SELECTIVE PARTS	*		1
5	26307603	SHAFT	SELECTIVE PARTS	*		1
6	26307702	SHAFT	SELECTIVE PARTS	*		1
7	40056375	SHAFT CONNECTION ASM.		*		1
8	40056376	SHAFT CONNECTION		*		1
9	SS7121410TP	SCREW 3/16-28 L=14		*		1
10	WP0510516SD	WASHER 5.1X7.5X0.5		*		1
11	26302307	LINK		*		1
12	10012904	PIN D	SELECTIVE PARTS	*		1
13	10012607	PIN A	SELECTIVE PARTS	*		1
14	10012706	PIN B	SELECTIVE PARTS	*		1
15	10012805	PIN C	SELECTIVE PARTS	*		1
16	SM8050812TP	SCREW M5X8		*		1
17	SM8050812TP	SCREW M5X8		*		1
18	SS9090610TP	SCREW 9/64-40 L=5.5		*		2
19	RC0100001KP	SNAP RING M10				1
20	22510051	NEEDLE VIBRATING CAM ASM.				1
21	22510002	NEEDLE VIBRATING CAM		*		1
22	22510101	NEEDLE VIBRATING ROD		*		1
23	22510200	CAM COVER		*		1
24	SS2110920TP	SCREW 11/64-40 L=8.5		*		2
25	10011005	SCREW GEAR A	SELECTIVE PARTS			1
26	10011104	SCREW GEAR B	SELECTIVE PARTS			1
27	10011203	SCREW GEAR C	SELECTIVE PARTS			1
28	10011302	SCREW GEAR D	SELECTIVE PARTS			1
29	26300608	NEEDLE VIBRATING CAM SHAFT				1
30	10012201	BUSHING				1
31	10012417	DRIVE LINK GUIDE A				1
32	10012516	DRIVE LINK GUIDE B				1
33	26301002	PIN A	SELECTIVE PARTS			1
34	26301101	PIN B	SELECTIVE PARTS			1
35	26301200	PIN B	SELECTIVE PARTS			1
36	26301309	PIN D	SELECTIVE PARTS			1
37	SS8660610TP	SCREW 1/4-40 L=6				2
38	SS8660970TP	SCREW 1/4-40 L= 8.5				1
39	RO069180100	RUBBER RING				1
40	CS1031210SH	THRUST COLLAR ASM. D=10.32 W=12				1
41	CS103121BSH	THRUST COLLAR ASM. D=10.32 W=12				1
42	SS8150710SP	SCREW 15/64-28 L=7				1
43	SS8660410SP	SCREW 1/4-40 L= 4.2				1
44	SS8660810TP	SCREW 1/4-40 L=8				1
45	10014009	SCREW GEAR E	SELECTIVE PARTS			1

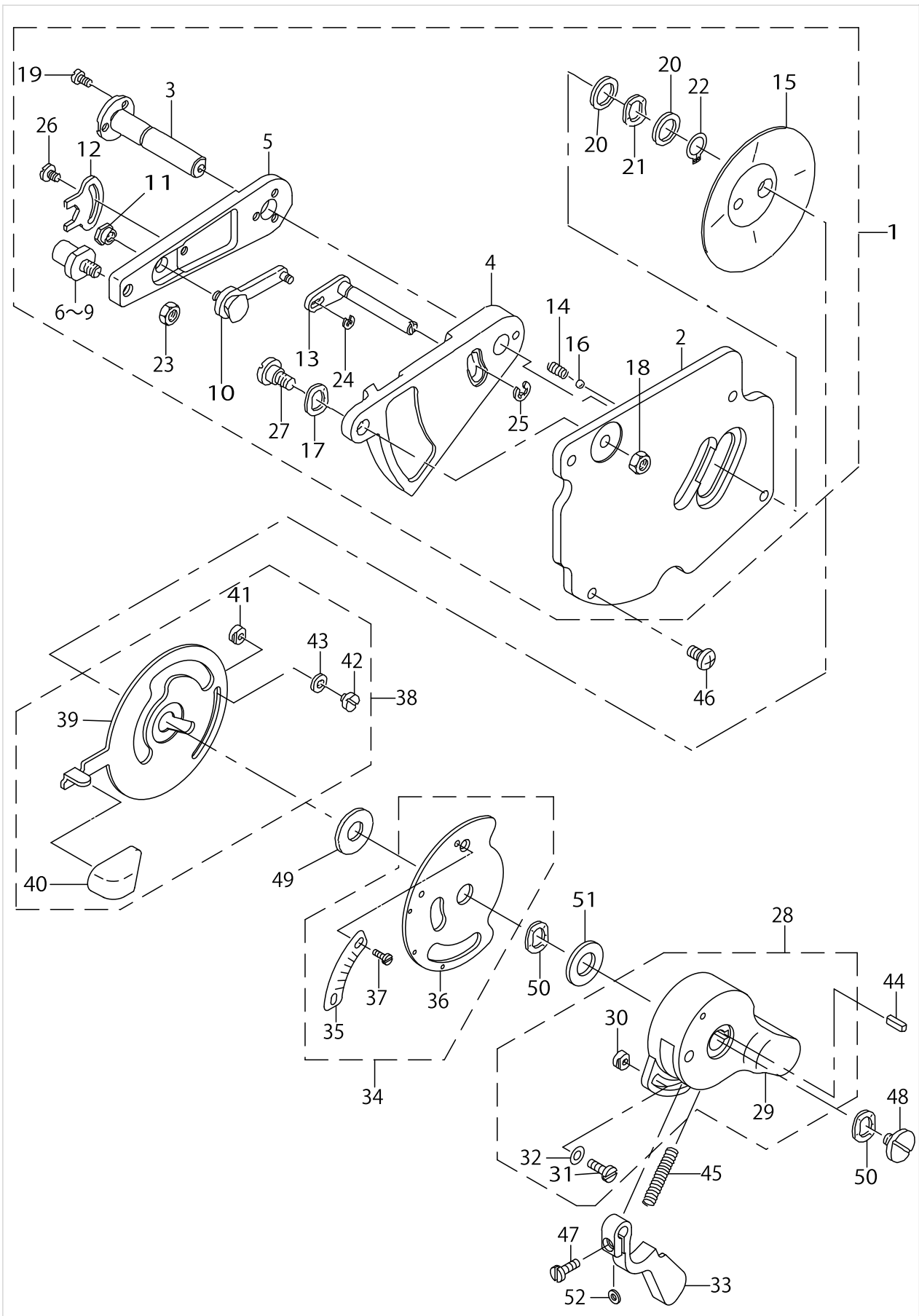
NEEDLE VIBRATOR & ADJUSTMENT COMPONENTS (2)



NEEDLE VIBRATOR & ADJUSTMENT COMPONENTS (2)

No.	Parts No.	Parts name	Remarks	Level	Cons	Qty
1	22512057	BASE ASM.				1
2	26306506	BASE MOUNTING PLATE		*		1
3	26307306	SHAFT		*		1
4	26302703	NEEDLE POSITION ADJUSTING BASE		*		1
5	26301507	ARM		*		1
6	10016517	SHAFT	SELECTIVE PARTS	*		1
7	10016210	SHAFT	SELECTIVE PARTS	*		1
8	10016319	SHAFT	SELECTIVE PARTS	*		1
9	10016418	SHAFT	SELECTIVE PARTS	*		1
10	10017168	STOPPER ASM.		*		1
11	10018000	NUT		*		1
12	10018109	NUT STOPPER		*		1
13	10015360	LEVER ASM.		*		1
14	10017408	SPRING		*		1
15	10017606	OIL SHIELD		*		1
16	B2608761000	HAND STOP CRANK SHAFT BALL		*		1
17	WZ0850302K0	WAVED WASHER 8.5X12.5X0.3		*		3
18	NS6150310SP	NUT 15/64-28		*		1
19	SS6090620SP	SCREW 9/64-40 L=6		*		3
20	WP1020616SD	WASHER		*		2
21	WZ1052010KP	WAVED WASHER		*		1
22	RC0100001KP	SNAP RING M10		*		1
23	NS6150310SP	NUT 15/64-28		*		1
24	RE0200000K0	E-RING		*		1
25	RE0400000K0	E-RING 4		*		1
26	SS6090520SP	SCREW 9/64-40 L= 5.0		*		1
27	SD0800402TP	HINGE SCREW D= 8 H= 4		*		1
28	22512156	KNOB ASM.				1
29	22512107	KNOB		*		1
30	10015907	LEVER STOPPER		*		2
31	SS7090610SP	SCREW 9/64-40 L=6		*		2
32	WP0371016SD	WASHER 3.7X8X1		*		2
33	26306803	LEVER				1
34	22512362	SCALE PLATE ASM.				1
35	22512313	SCALE PLATE		*		1
36	26306951	SCALE MOUNTING BASE COMPL.		*		1
37	SS6080320SP	SCREW 1/8-44 L= 2.5		*		2
38	26307157	LEVER ASM.				1
39	26307108	LEVER		*		1
40	26307207	KNOB		*		1
41	26306704	LEVER STOPPER		*		2
42	SS7090410SP	SCREW 9/64-40 L= 3.5		*		2
43	WP0371016SD	WASHER 3.7X8X1		*		2
44	10015105	KEY				1
45	10017705	SPRING				1
46	SS4120915SP	SCREW 3/16-28 L=9				4
47	SS7090910TP	SCREW 9/64-40 L= 8.5				1

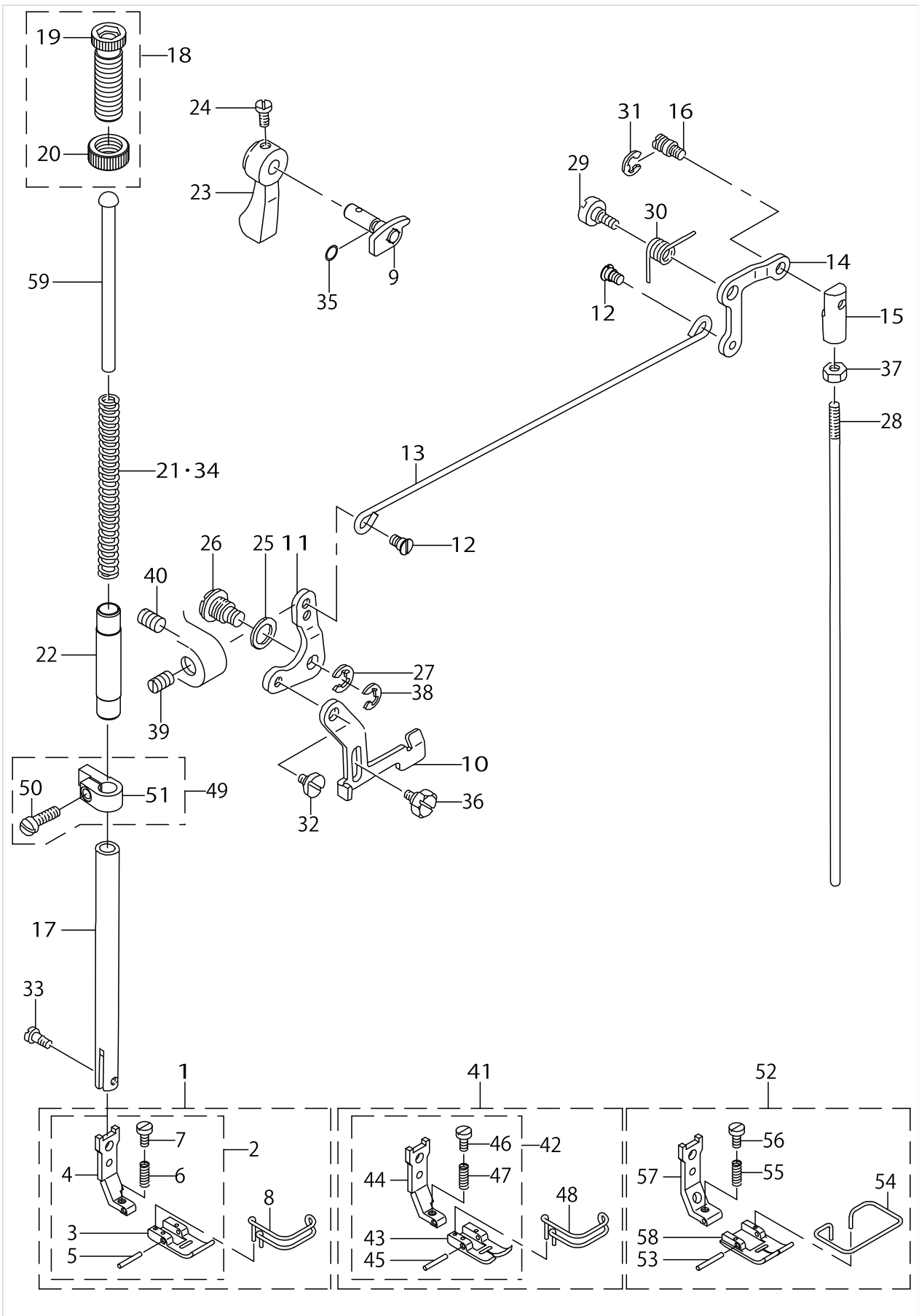
NEEDLE VIBRATOR & ADJUSTMENT COMPONENTS (2)



NEEDLE VIBRATOR & ADJUSTMENT COMPONENTS (2)

No.	Parts No.	Parts name	Remarks	Level	Cons	Qty
48	SS7620750SP	SCREW 3/16-32 L= 6.5				1
49	WP1021016SD	WASHER				1
50	WZ1052010KP	WAVED WASHER				2
51	WP1020616SD	WASHER				1
52	WP0371036SD	WASHER 3.7X6X1				1

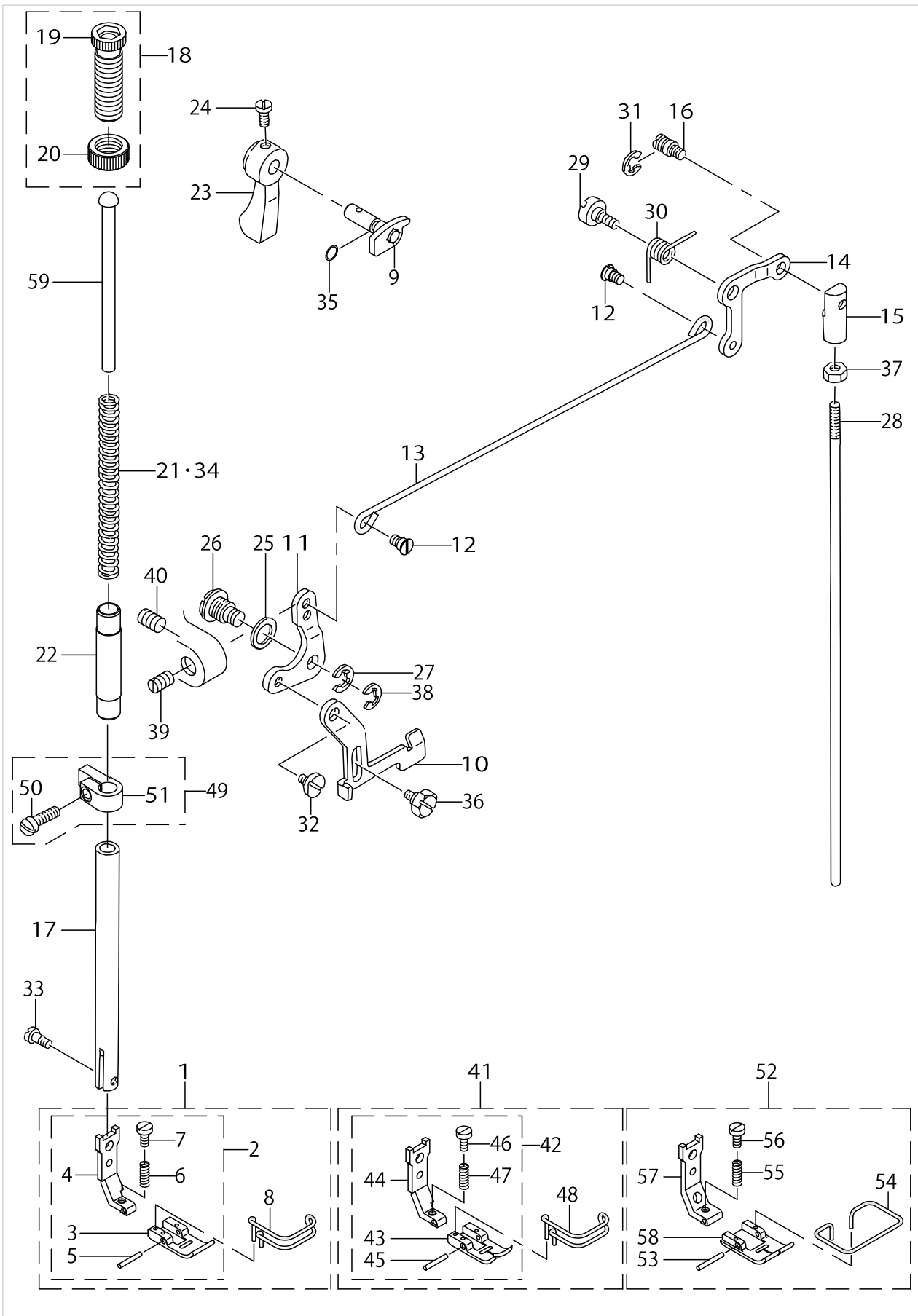
PRESSER BAR & FEED REGULATOR COMPONENTS



PRESSER BAR & FEED REGULATOR COMPONENTS

No.	Parts No.	Parts name	Remarks	Level	Cons	Qty
1	22547970	PRESSER FOOT ASM.	VARIOUS NOS.FOR DESTINATIONS			1
2	22547954	PRESSER FOOT ASM.		*		1
3	22547913	PRESSER FOOT (LOWER)		*		1
4	22546816	PRESSER FOOT (UPPER)		*		1
5	22547806	PRESSER PIN		*		1
6	B1525582000	SPRING		*		1
7	SS6090810SP	SCREW 9/64-40 L= 7.5		*		1
8	10021202	FINGER COVER		*		1
9	26307850	HAND LIFTER CAM COMPL.				1
10	26308007	LIFTING LEVER				1
11	B1516552000	LIFTING LEVER LINK				1
12	22908909	HINGE SCREW				2
13	22908305	LIFTING LEVER CONNECTING ROD				1
14	B3414555000	LIFTING LEVER LINK ARM				1
15	B3416555000	SWIVEL				1
16	B3416552000	CONNECTING ROD HINGE SCREW				1
17	10022010	PRESSER BAR				1
18	22907554	PRESSER SPRING REG NUT ASM.				1
19	22907505	PRESSER SPRING REGULATOR		*		1
20	22907604	PRESSER SPRING REGULATOR NUT		*		1
21	22907406	PRESSER SPRING		VARIOUS NOS.FOR DESTINATIONS		
22	22907109	PRESSER BAR BUSHING LOWER				1
23	22907802	HAND LIFTER				1
24	B1521555000	SCREW				1
25	B3431581000	LIFTING LEVER GASKET				1
26	B1517552000	HINGE PIN				1
27	B1523226000	SNAP RING				1
28	10022606	CONNECTING ROD VERTICAL				1
29	GAK33041000	KNEE LIFTING LINK STEP-SCREW				1
30	GAK33042000	KNEE LIFTING LINK SPRING				1
31	RE0500000K0	E-RING				1
32	SD0630301SP	HINGE SCREW D=6.35 H=3				1
33	SS7090910TP	SCREW 9/64-40 L= 8.5				1
34	B1505227T00A	PRESSER SPRING T	VARIOUS NOS.FOR DESTINATIONS			
35	RO037180100	RUBBER RING				1
36	SD0630275SP	HINGE SCREW D= 6.35 H= 2.7				1
37	NS6620310SP	NUT 3/16-32				1
38	RE0600000K0	E-RING 6				1
39	SS8151720SP	SCREW				1
40	SS8150510TP	SCREW 15/64-28 L= 4.7				1
41	22548671	PRESSER FOOT ASM.	VARIOUS NOS.FOR DESTINATIONS			1
42	22548655	PRESSER FOOT ASM.		*		1
43	22548614	PRESSER FOOT (LOWER)		*		1
44	22546816	PRESSER FOOT (UPPER)		*		1
45	22547806	PRESSER PIN		*		1

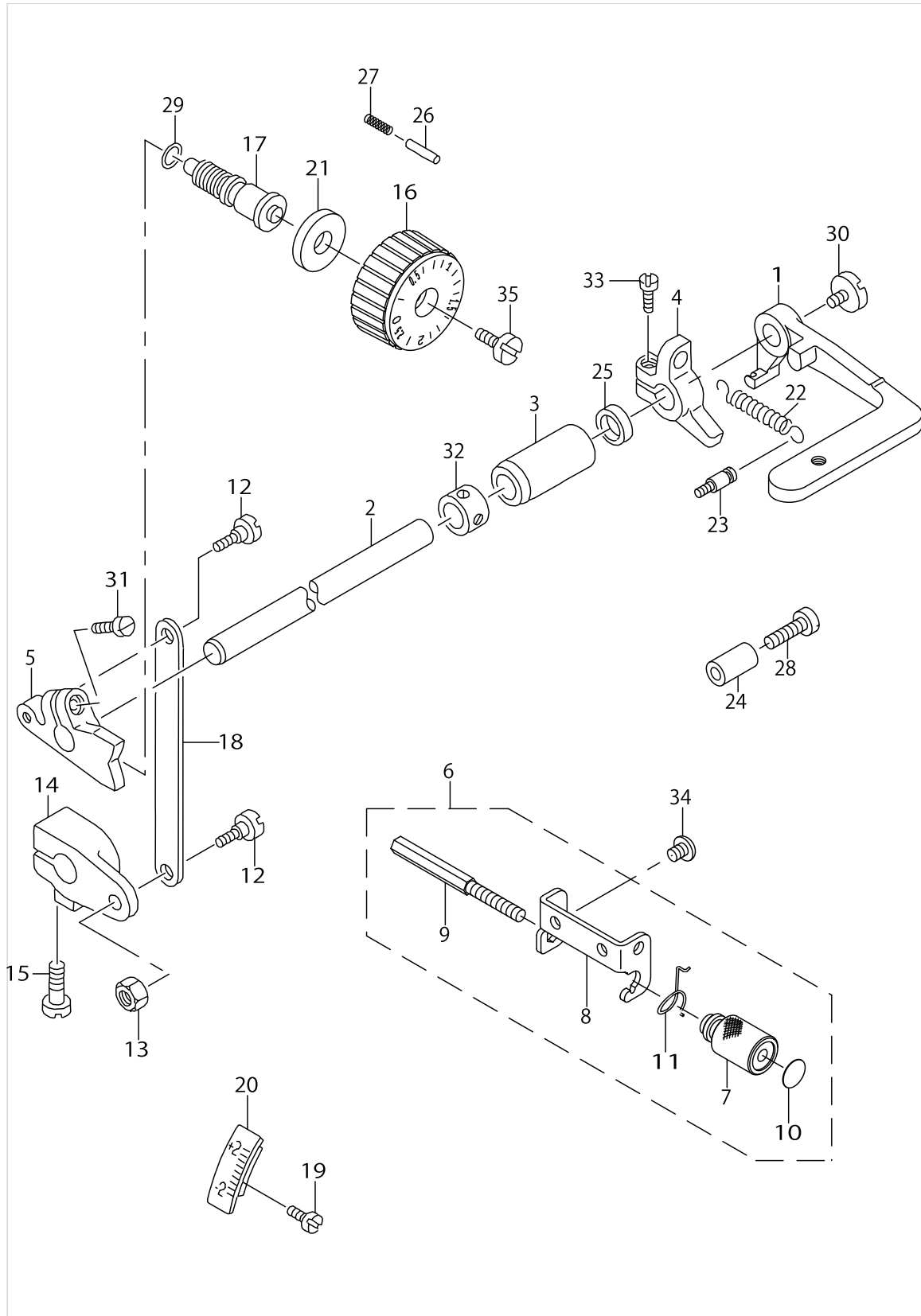
PRESSER BAR & FEED REGULATOR COMPONENTS



PRESSER BAR & FEED REGULATOR COMPONENTS

No.	Parts No.	Parts name	Remarks	Level	Cons	Qty
46	SS6090810SP	SCREW 9/64-40 L= 7.5		*		1
47	B1525582000	SPRING		*		1
48	10021202	FINGER COVER		*		1
49	40070531	PRESSER_BAR_CONNECTION_ASM.				1
50	SS7111110TP	SCREW 11/64-40 L=10.5		*		1
51	26302901	PRESSER BAR GUIDE BRACKET		*		1
52	22548960	PRESSER ASM.	VARIOUS NOS.FOR DESTINATIONS			1
53	10021103	PRESSER PIN		*		1
54	22545404	SAFETY COVER		*		1
55	B1525582000	SPRING		*		1
56	SS6090810SP	SCREW 9/64-40 L= 7.5		*		1
57	22545206	PRESSER FOOT (UPPER)		*		1
58	22548903	PRESSER FOOT (LOWER)		*		1
59	22907703	PRESSER GUIDE BAR				1

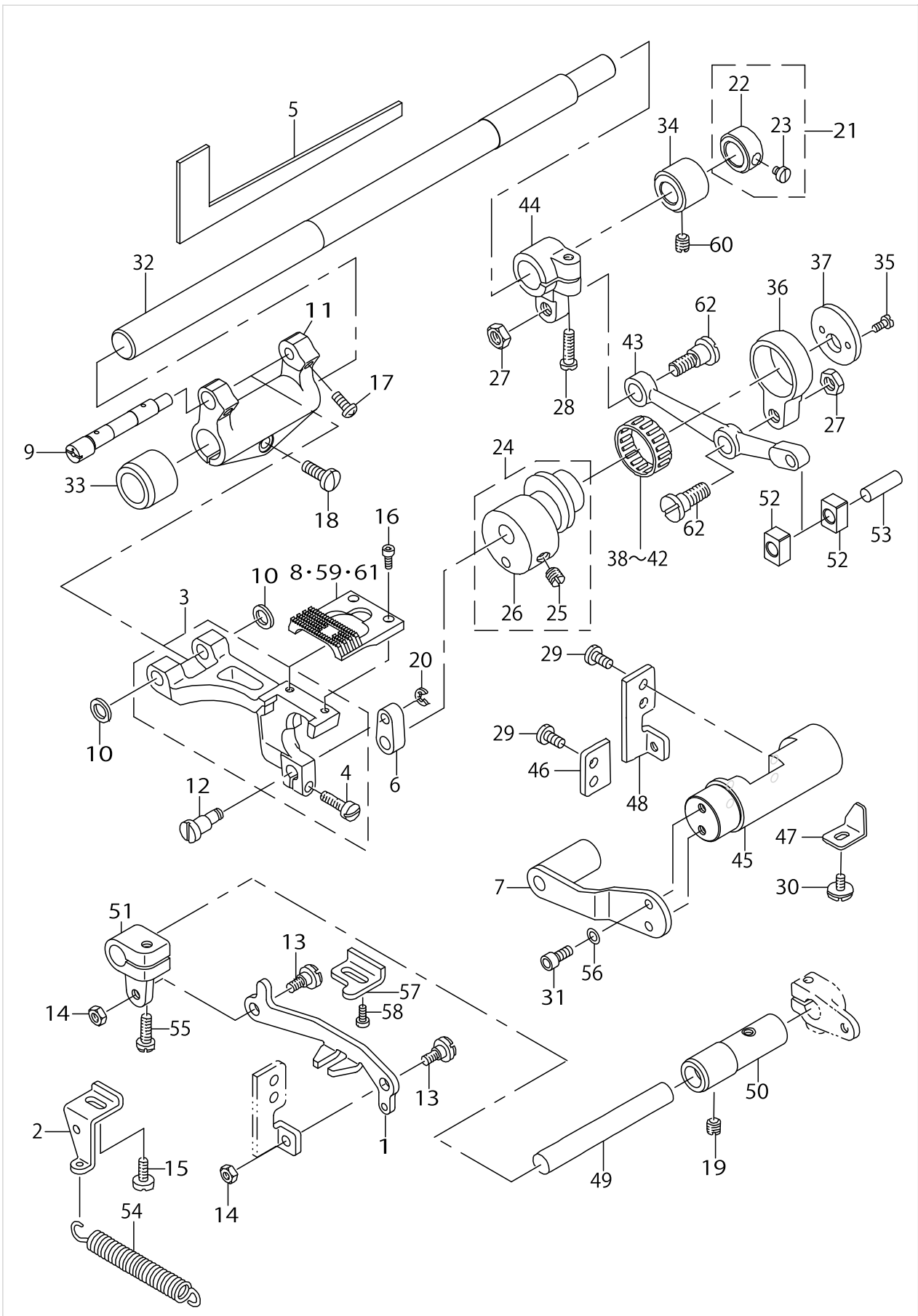
FEED MECHANISM & CONDENSE COMPONENTS



FEED MECHANISM & CONDENSE COMPONENTS

No.	Parts No.	Parts name	Remarks	Level	Cons	Qty
1	40056754	LEVER				1
2	26312405	FEED REGULATOR SHAFT				1
3	26308205	BUSHING				1
4	26308353	CONDENSE STOPPER ARM ASM.				1
5	26308403	FEED DRIVING ADJUSTER				1
6	40057195	CONDENSE KNOB ASM.				1
7	40057197	CONDENS KNOB		*		1
8	40057196	ADJUSTING SCREW BASE		*		1
9	40057199	ADJUSTING SCREW		*		1
10	26309005	STOPPER DIAL PLATE		*		1
11	40057198	KNOB GUIDE		*		1
12	SD0600321SP	HINGE SCREW D=6 H=3.2				2
13	NS6120310SP	NUT 3/16-28				1
14	26303602	FEED VARIABLE ARM B				1
15	SS6121610TP	SCREW 3/16-28 L=15.5				1
16	26302000	FEED DIAL				1
17	22519201	ADJUSTING SCREW				1
18	22519300	FEED REVERSAL LINK				1
19	SS4120615SP	SCREW 3/16-28 L=6				2
20	22519805	SCALE PLATE				1
21	D2468555B00	RUBBER PLUNGER	FOR LZ-228*N-7			1
22	D2515232D00	TORSION SPRING				1
23	26226407	TENSION SPRING HOOK				1
24	22952501	BACK LEVER STOPPER				1
25	B2508704000	OIL SEAL				1
26	22912000	FEED REGULATOR PIN				1
27	22912109	FEED REGULATOR PIN SPRING				1
28	SS6121840SP	SCREW 3/16-28 L=18				1
29	RO074240100	RUBBER RING				1
30	SS7620750SP	SCREW 3/16-32 L= 6.5				1
31	SS7121410TP	SCREW 3/16-28 L=14				1
32	CS1031210SH	THRUST COLLAR ASM. D=10.32 W=12				1
33	SS7121410TP	SCREW 3/16-28 L=14				1
34	SS4120615SP	SCREW 3/16-28 L=6				2
35	SS6121860SP	SCREW 3/16-28 L=18				1

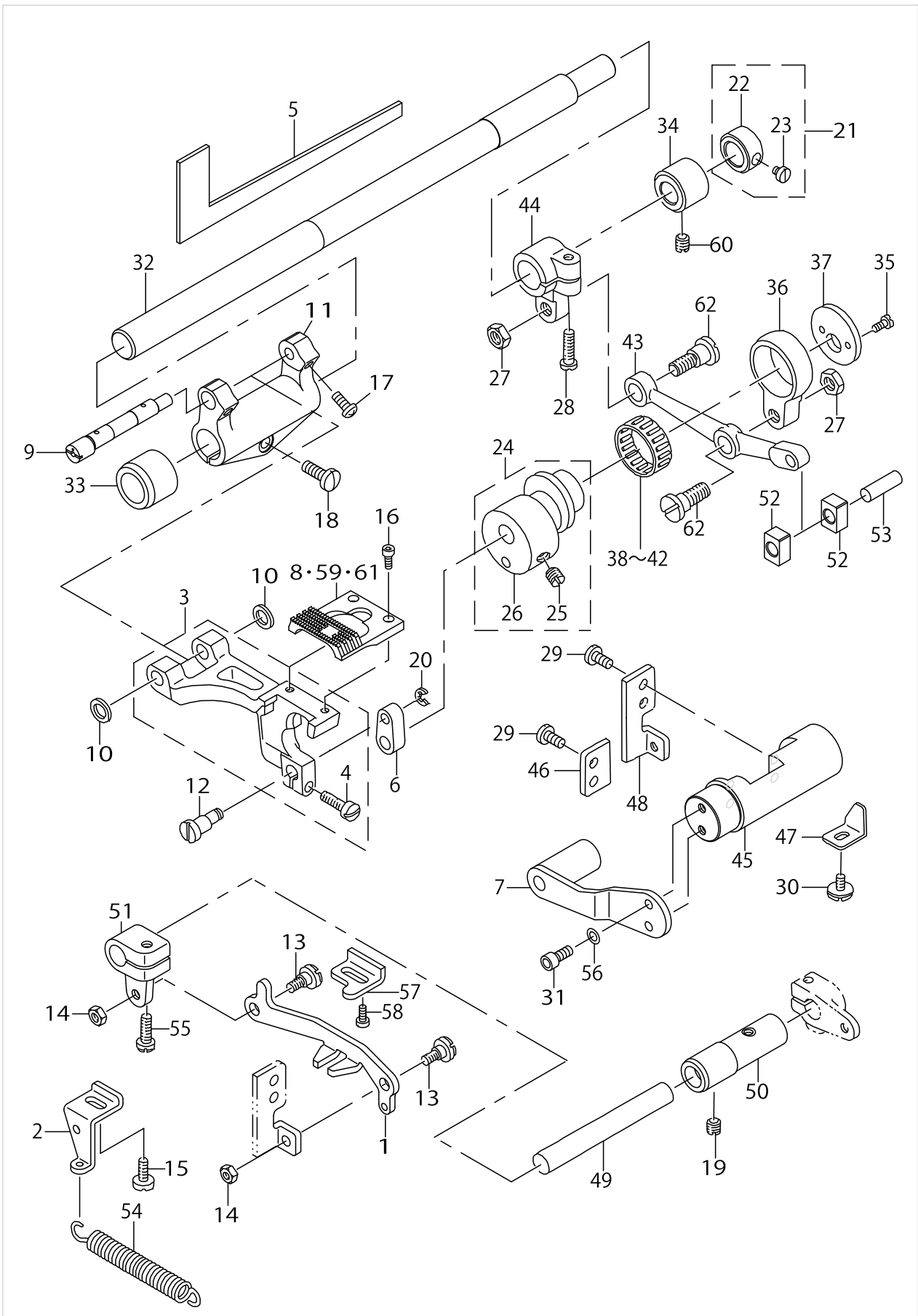
FEED MECHANISM COMPONENTS



FEED MECHANISM COMPONENTS

No.	Parts No.	Parts name	Remarks	Level	Cons	Qty
1	26309104	FEED REVERSAL LINK B				1
2	22519607	TENSION SPRING RACK				1
3	40031418	FEED BASE ASM.				1
4	SS7121410TP	SCREW 3/16-28 L=14		*		1
5	22519904	FELT				1
6	22520001	LINK				1
7	26309351	BALANCE WEIGHT COMPL.				1
8	22548119	FEED DOG	VARIOUS NOS.FOR DESTINATIONS			1
9	40035702	FEED BASE SHAFT				1
10	10026201	SPACER				2
11	40055832	FEED ROCER				1
12	26303107	LINK SHAFT				1
13	SD0600321SP	HINGE SCREW D=6 H=3.2				2
14	NS6120310SP	NUT 3/16-28				2
15	SS6111140SP	SCREW 11/64-40 L=11				1
16	SS6580752TP	SCREW 1/8-40 L=7				2
17	SS4120915SP	SCREW 3/16-28 L=9				2
18	SS7121410TP	SCREW 3/16-28 L=14				1
19	SS8150510TP	SCREW 15/64-28 L= 4.7				1
20	RE0300000K0	E-RING 3				1
21	CS1111010SH	THRUST COLLAR ASM. D=11.11 W=10				1
22	CS1111019SH	THRUST COLLAR D=11.11 W=10		*		1
23	SS6660710TP	SCREW 1/4-40 L=7		*		1
24	10026763	ECCENTRIC CAM ASM.				1
25	SS8660810TP	SCREW 1/4-40 L=8		*		2
26	10026706	ECCENTRIC CAM		*		1
27	NS6680410SP	NUT 9/32-28				2
28	SS6121610TP	SCREW 3/16-28 L=15.5				1
29	SS7110910TP	SCREW 11/64-40 L= 8.5				4
30	SS5110710SP	SCREW 11/64-40 L=7				1
31	SS6111052TP	SCREW				2
32	26314906	FEED ROCKER SHAFT				1
33	B1604141H00	BUSHING FRONT				1
34	26314500	FEED ROCKER SHAFT BUSHING FRONT				1
35	SS4080620TP	SCREW 1/8-44 L=6				2
36	26300509	ROD				1
37	10026904	SIDE DISC PLATE				1
38	B1609804A00	BUSHING	SELECTIVE PARTS			1
39	B1609804B00	NEEDLE BEARING	SELECTIVE PARTS			1
40	B1609804C00	BEARING	SELECTIVE PARTS			1
41	B1609804D00	BEARING	SELECTIVE PARTS			1
42	B1609804E00	BEARING	SELECTIVE PARTS			1
43	26303206	CONNECTING ROD				1
44	10027100	FEED ROCKER SHAFT CRANK				1
45	40010319	FEED ADJUSTING				1
46	26303404	PLATE A				1

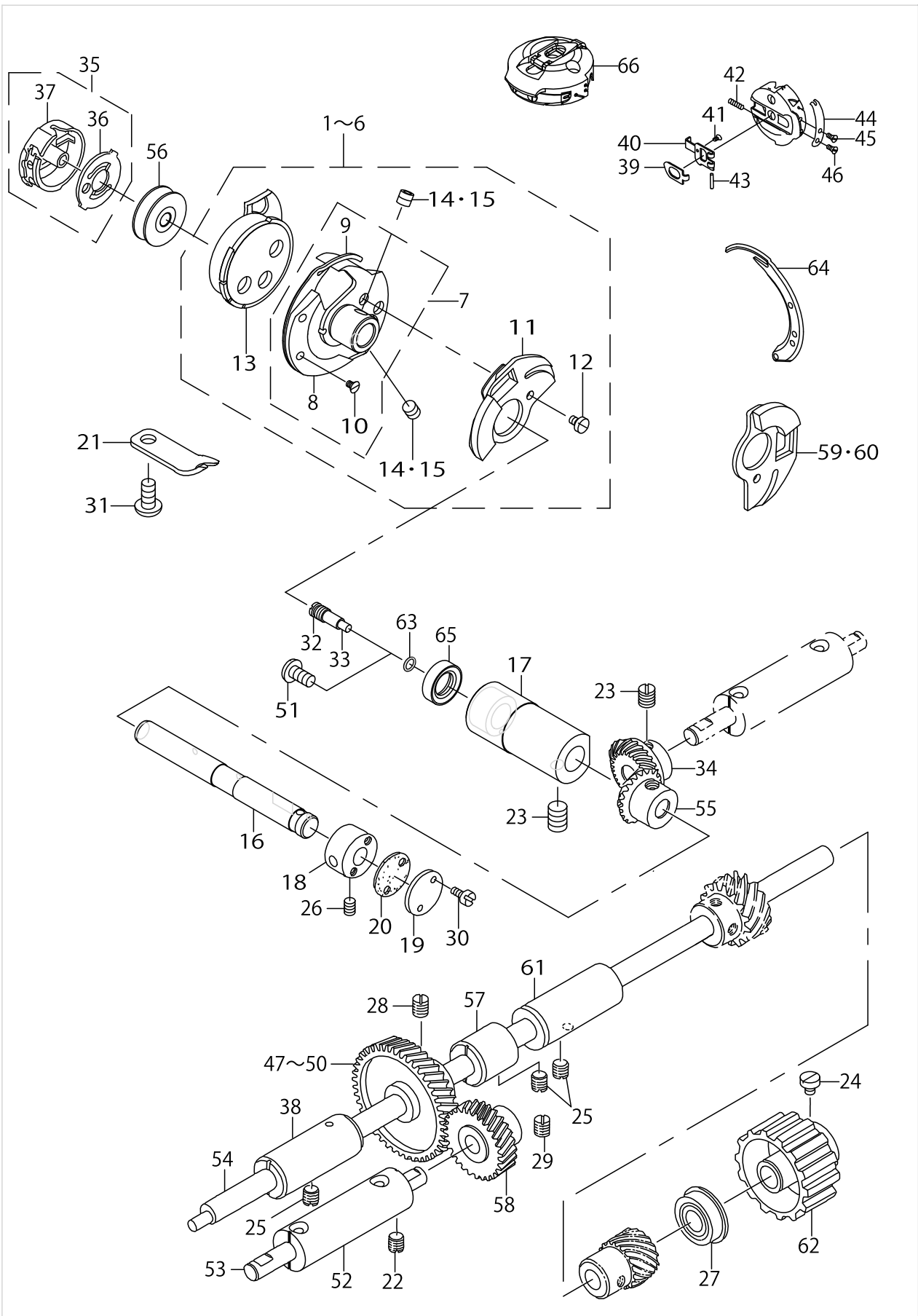
FEED MECHANISM COMPONENTS



FEED MECHANISM COMPONENTS

No.	Parts No.	Parts name	Remarks	Level	Cons	Qty
47	10027506	STOPPER PLATE				1
48	10027407	PLATE B				1
49	26303503	FEED VARIABLE SHAFT				1
50	40043912	BUSHING				1
51	26303701	FEED VARIABLE ARM C				1
52	40050457	FEED DRIVING ROCKER BLOCK				2
53	40032271	FEED DRIVING ROCKER BLOCK PIN				1
54	B1646555000	TENSION SPRING				1
55	SS7121410TP	SCREW 3/16-28 L=14				1
56	WP0450846SP	WASHER				2
57	10029304	REVERSE FEED LIMITER				1
58	SS6111140SP	SCREW 11/64-40 L=11				1
59	22545107	FEED DOG	VARIOUS NOS.FOR DESTINATIONS			1
60	SS8150710SP	SCREW 15/64-28 L=7				2
61	22548804	FEED DOG	VARIOUS NOS.FOR DESTINATIONS			1
62	SD0900701TP	HINGE SCREW D=9 H=7				2

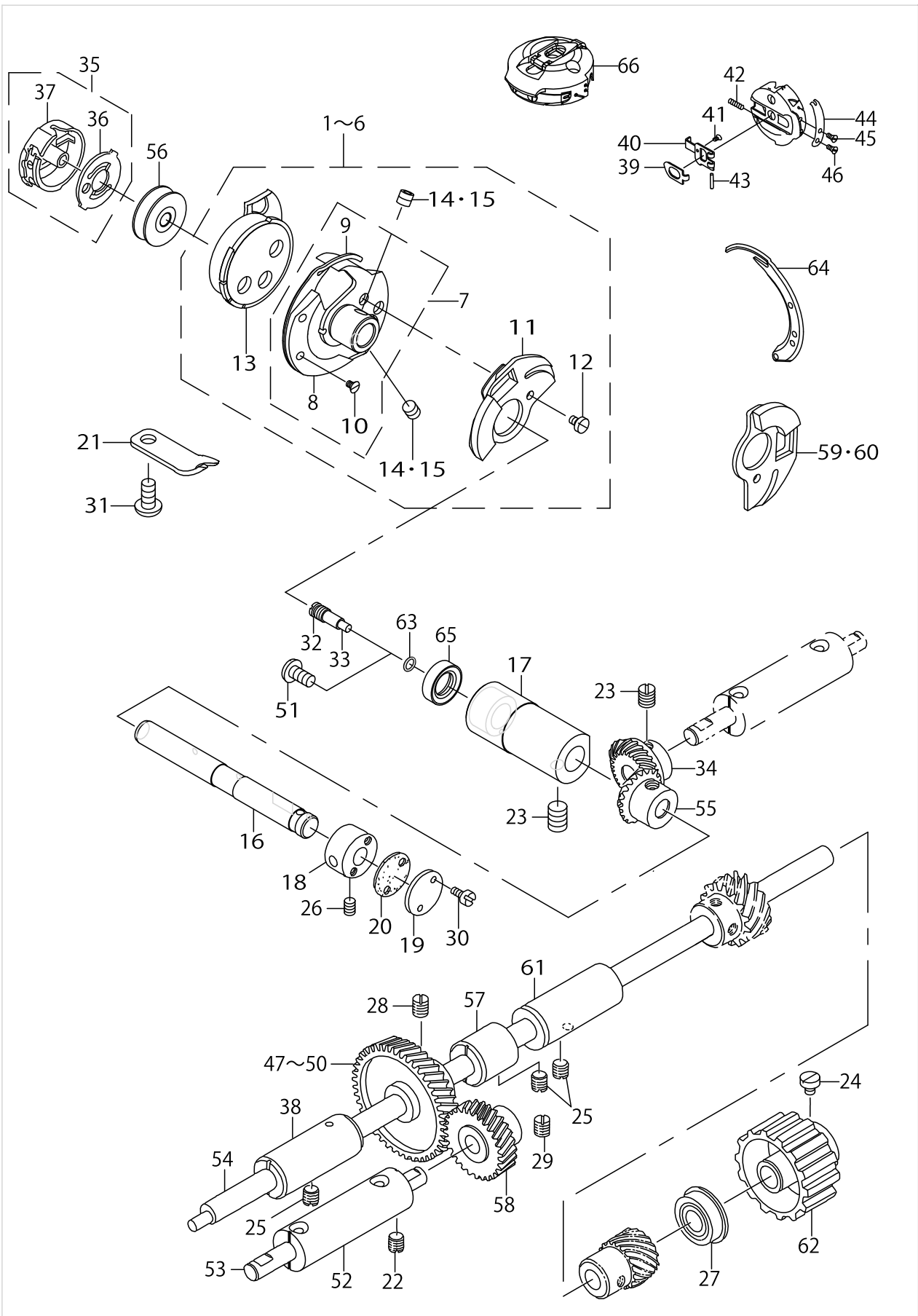
HOOK DRIVING SHAFT & HOOK COMPONENTS



HOOK DRIVING SHAFT & HOOK COMPONENTS

No.	Parts No.	Parts name	Remarks	Level	Cons	Qty
1	22525059	HOOK COMPL. RIGHT	SPECIAL ORDER PARTS			1
2	22525877	HOOK COMPL. V				1
3	22526677	HOOK COMPL. V (PLASTIC HOOK)	SPECIAL ORDER PARTS			1
4	22526578	HOOK COMPL. V (HARD POINT)	SPECIAL ORDER PARTS			1
5	22525257	HOOK COMBINATION (HARD POINT)	SPECIAL ORDER PARTS			1
6	22525752	HOOK ASM. (PLASTIC)	SPECIAL ORDER PARTS			1
7	22525968	ROTATING HOOK V ASM.	SPECIAL ORDER PARTS	*		1
8	22525919	OUTER HOOK V	SPECIAL ORDER PARTS	*		1
9	23503501	INNER HOOK PRESSER V-S	SPECIAL ORDER PARTS	*		1
10	10033009	HOOK GIB SCREW	SPECIAL ORDER PARTS	*		2
11	22526206	REVERSE PLATE V	SPECIAL ORDER PARTS	*		1
12	10033108	HOOK COUNTER BALANCE SCREW	SPECIAL ORDER PARTS	*		1
13	22526008	INNER HOOK V	SPECIAL ORDER PARTS	*		1
14	SS8110422TP	SCREW 11/64-40 L=4	SPECIAL ORDER PARTS	*		2
15	SS8110520TP	SCREW 11/64-40 L=4.5	SPECIAL ORDER PARTS	*		2
16	40043050	HOOK SHAFT				1
17	40043051	HOOK SHAFT BUSHING				1
18	26304303	HOOK SHAFT BUSHING B				1
19	10031615	BUSHING CAP				1
20	10031714	GASKET				1
21	23503402	INNER HOOK STOPPER				1
22	SS8150710SP	SCREW 15/64-28 L=7				1
23	SS8660810TP	SCREW 1/4-40 L=8				4
24	SS6660710TP	SCREW 1/4-40 L=7				2
25	SS8150710SP	SCREW 15/64-28 L=7				3
26	SS8150822TP	SCREW 15/64-28 L=8				1
27	SB109530100	BEARING D=9.52X22.22				1
28	SS8660810TP	SCREW 1/4-40 L=8				2
29	SS8660810TP	SCREW 1/4-40 L=8				2
30	SS4080620TP	SCREW 1/8-44 L=6				2
31	SS4110915SP	SCREW 11/64-40 L=9				1
32	22916506	SET SCREW				1
33	11015906	OIL WICK				1
34	B13071550A0	GEAR ASM. LARGE				1
35	40003598	BOBBIN CASE ASM.				1
36	13729702	BOBBIN CASE SPRING		*		1
37	40003599	BOBBIN CASE COMPL.		*		1
38	26303800	BUSHING FRONT				1
39	19800903	LC-601-1/ LATCH LEVER	SPECIAL ORDER PARTS			1
40	19801000	LC-602-2/ LATCH	SPECIAL ORDER PARTS			1
41	19801307	SMS-801-B/ SETSCREW PICK-UP	SPECIAL ORDER PARTS			1
42	19801109	LSP-4/ LATCH SPRING	SPECIAL ORDER PARTS			1
43	19801208	LFP-1/ LATCH PIN	SPECIAL ORDER PARTS			1
44	19801406	TSP-604-B/ TENSION SPRING	SPECIAL ORDER PARTS			1
45	19801505	SMS-608-B/ TENSION SCREW	SPECIAL ORDER PARTS			1
46	19801604	SMS-609-B/ SETSCREW TENSION SPRING	SPECIAL ORDER PARTS			1
47	10030609	HELICAL GEAR A_A	SELECTIVE PARTS			1

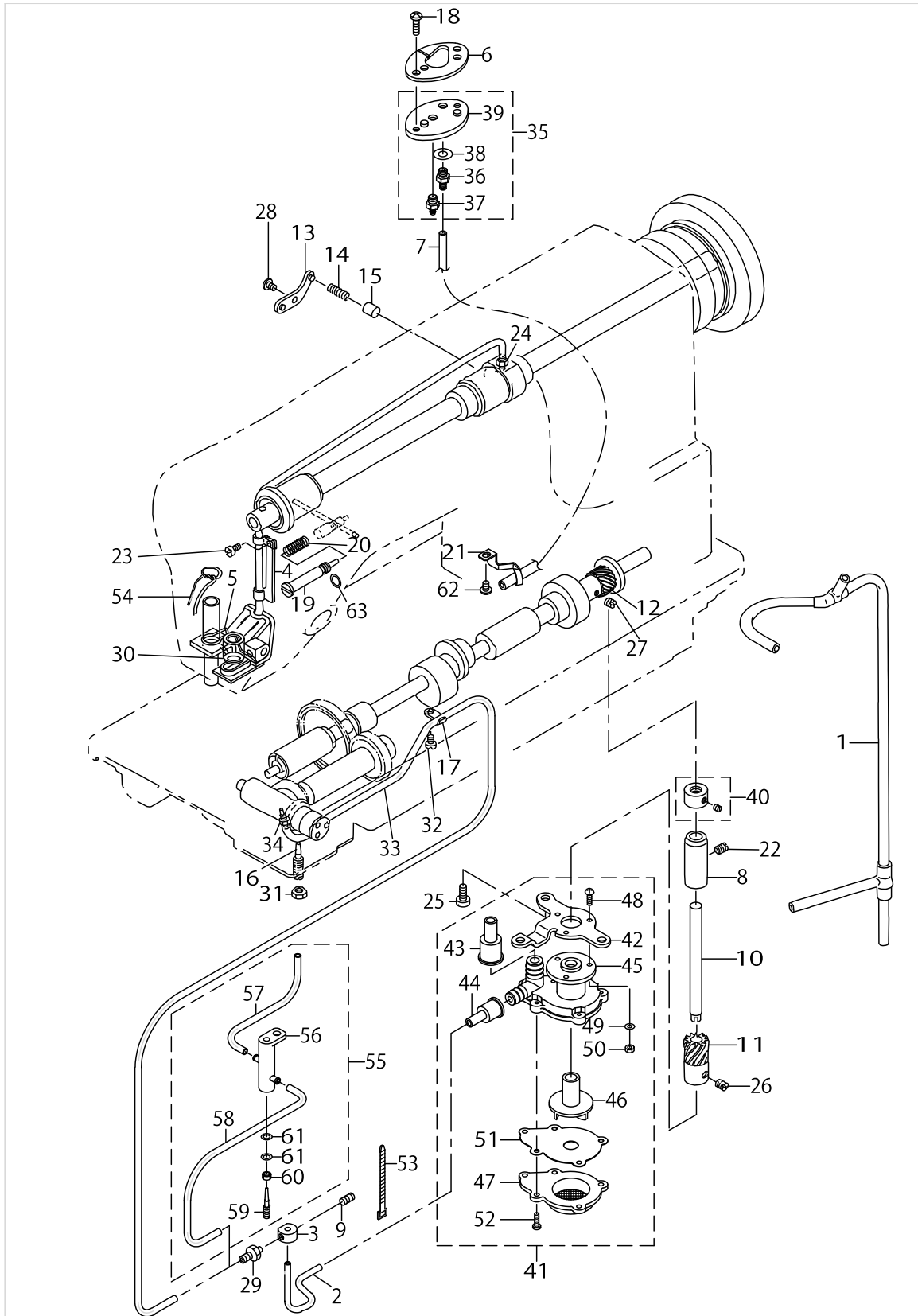
HOOK DRIVING SHAFT & HOOK COMPONENTS



HOOK DRIVING SHAFT & HOOK COMPONENTS

No.	Parts No.	Parts name	Remarks	Level	Cons	Qty
48	10030708	HELICAL GEAR A_B	SELECTIVE PARTS			1
49	10030807	HELICAL GEAR A_C	SELECTIVE PARTS			1
50	10030906	HELICAL GEAR A_D	SELECTIVE PARTS			1
51	11079506	FRONT SCREW	SPECIAL ORDER PARTS			1
52	26309609	BUSHING				1
53	26309708	SHAFT				1
54	40010305	HOOK DRIVING SHAFT				1
55	B13081550A0	PINION ASM.				1
56	22596704	BOBBIN S				1
57	26303909	BUSHING				1
58	10031003	HELICAL GEAR B				1
59	22524805	REVERSE PLATE	SPECIAL ORDER PARTS			1
60	22526206	REVERSE PLATE V	SPECIAL ORDER PARTS			1
61	26304006	BUSHING REAR				1
62	10030401	HOOK DRIVING SHAFT SPROCKET				1
63	RO036080200	RUBBER RING				1
64	23503303	INNER PRESSER V-S4	SPECIAL ORDER PARTS			1
65	23537202	HOOK SHAFT OIL SEAL				1
66	40109123	BOBBIN CASE ASM.(THREE HOLE)	SPECIAL ORDER PARTS			1

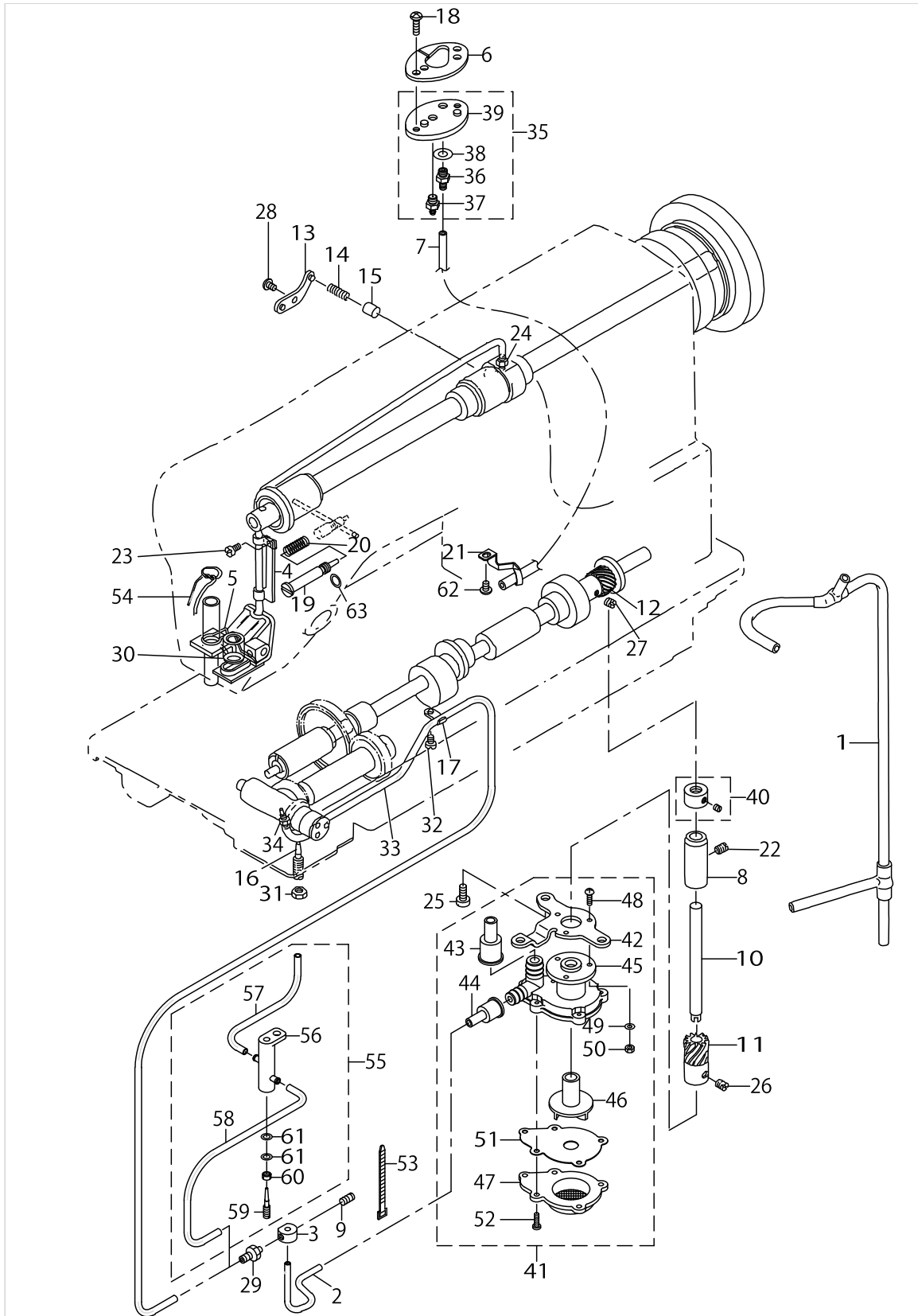
LUBRICATION COMPONENTS



LUBRICATION COMPONENTS

No.	Parts No.	Parts name	Remarks	Level	Cons	Qty
1	26315150	OIL SUPPLY PIPE ASM.				1
2	26315200	OIL SUPPLY PIPE				1
3	40035544	DISTRIBUTOR				1
4	22531552	FELT ASM.				1
5	26311902	FELT PRESSER				1
6	40070261	GASKET				1
7	BT0500300EA	OIL TUBE				0.3
8	10035301	BUSHING				1
9	SS8110510SP	SCREW 11/64-40 L=5				1
10	26315408	UPRIGHT SHAFT				1
11	10035111	PUMP DRIVING GEAR				1
12	10035004	PUMP DRIVING GEAR A				1
13	B3524552000	PLUNGER THRUST PLATE				1
14	B1214038000	PLUNGER SPRING				1
15	B3534155000	PLUNGER				1
16	10037109	OIL REGULATING SCREW				1
17	B3538112000	OIL RETURN TUBE HOLDER	VARIOUS NOS. FOR DESTINATIONS			1
18	SS4111415SP	SCREW 11/64-40 L=14				2
19	26304501	OIL REGULATING SCREW				1
20	22924906	OIL REGULATOR SCREW SPRING				1
21	40009373	OIL FELT GUIDE				1
22	SS8150710SP	SCREW 15/64-28 L=7				1
23	SS4110715SP	SCREW 11/64-40 L=7				1
24	SQ1110402MZ	CONNECTING SCREW				1
25	SS6111140SP	SCREW 11/64-40 L=11				2
26	SS8660530TP	SCREW 1/4-40 L= 4.5				2
27	SS8660530TP	SCREW 1/4-40 L= 4.5				2
28	SS4110615SP	SCREW 11/64-40 L=6				1
29	SQ1110402MZ	CONNECTING SCREW				1
30	CQ202000000	OIL WICK				0.2
31	NS6150310SP	NUT 15/64-28				1
32	SS4110515SP	SCREW 11/64-40 L=5				1
33	BT0500300EA	OIL TUBE	VARIOUS NOS. FOR DESTINATIONS			0.33
34	SQ1110402MZ	CONNECTING SCREW				2
35	40070259	OIL_TANK_ASM.				1
36	SQ2060451MZ	CONNECTING SCREW		*		1
37	40070262	CONNECTING_SCREW		*		1
38	WP0621016SD	WASHER 6.2X13X1		*		1
39	40070260	OIL_TANK		*		1
40	22917058	THRUST COLLAR ASM. FRONT				1
41	40020337	OIL PUMP ASM.				1
42	40020342	OIL PUMP INSTALLING BASE		*		1
43	40020343	RUBBER JOINT		*		1
44	40020344	RUBBER JOINT		*		1
45	40020338	OIL PUMP		*		1
46	40020345	OIL PUMP IMPELLER		*		1

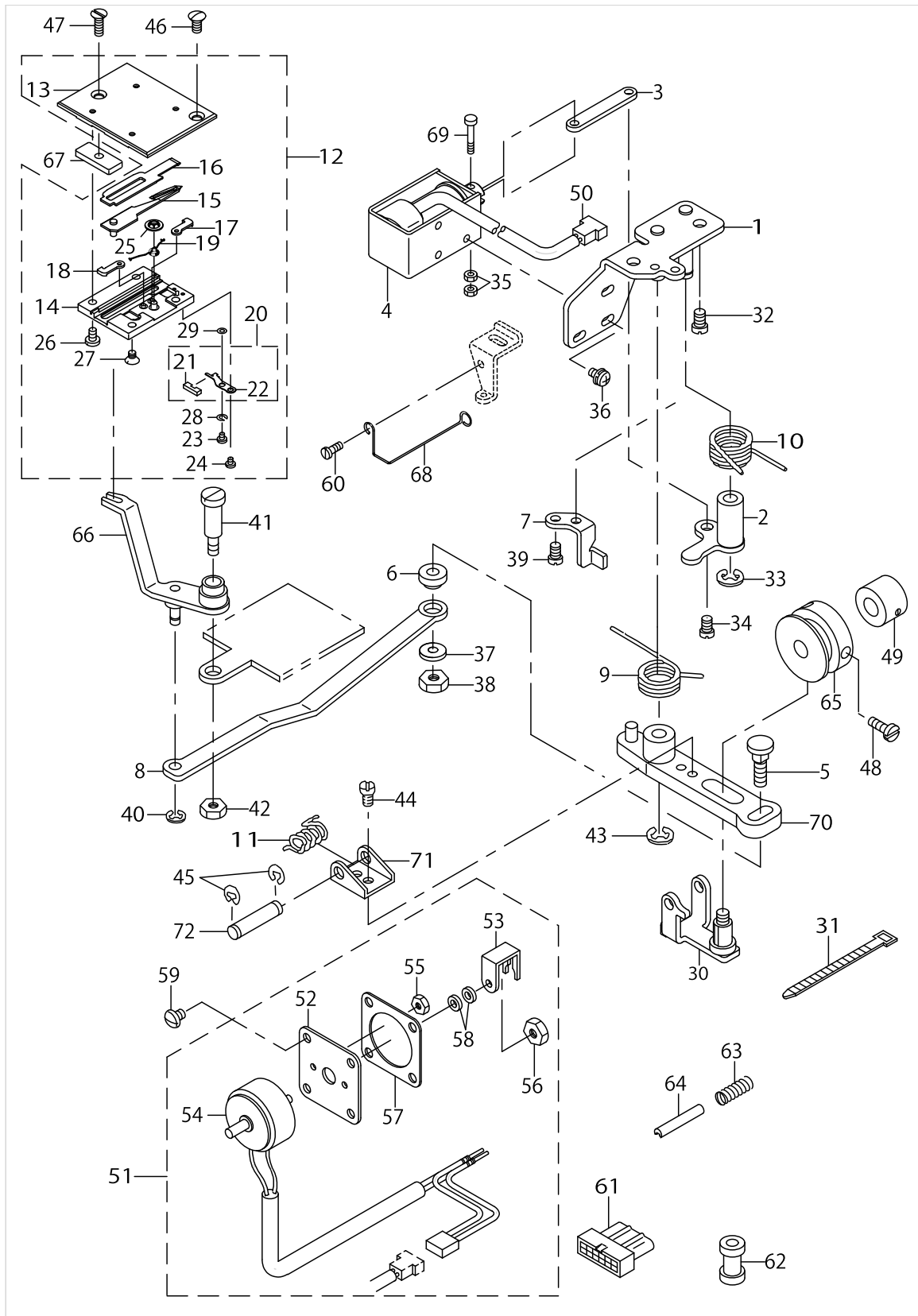
LUBRICATION COMPONENTS



LUBRICATION COMPONENTS

No.	Parts No.	Parts name	Remarks	Level	Cons	Qty
47	40020346	OIL PUMP COVER		*		1
48	SM4031001SC	SCREW M3X0.5 L=10		*		3
49	WT0320002KZ	WASHER		*		3
50	NM60300000E	NUT M3X0.5		*		3
51	40020341	OIL PUMP IMPELLER COVER		*		1
52	SE4301031SR	SCREW		*		5
53	EA9500B0100	CABLE BAND				1
54	CQ202000000	OIL WICK				0.2
55	40069742	OIL REGULATING VALVE ASM.	VARIOUS NOS. FOR DESTINATIONS			1
56	40069741	OIL REGULATING VALVE		*		1
57	BT0500300EA	OIL TUBE		*		0.15
58	BT0500300EA	OIL TUBE		*		0.2
59	10623601	OIL ADJUSTING SCREW		*		1
60	NS6110310SP	NUT 11/64-40		*		1
61	WP0450846SP	WASHER		*		2
62	SS4110615SP	SCREW 11/64-40 L=6				1
63	RO029180100	RUBBER RING				1

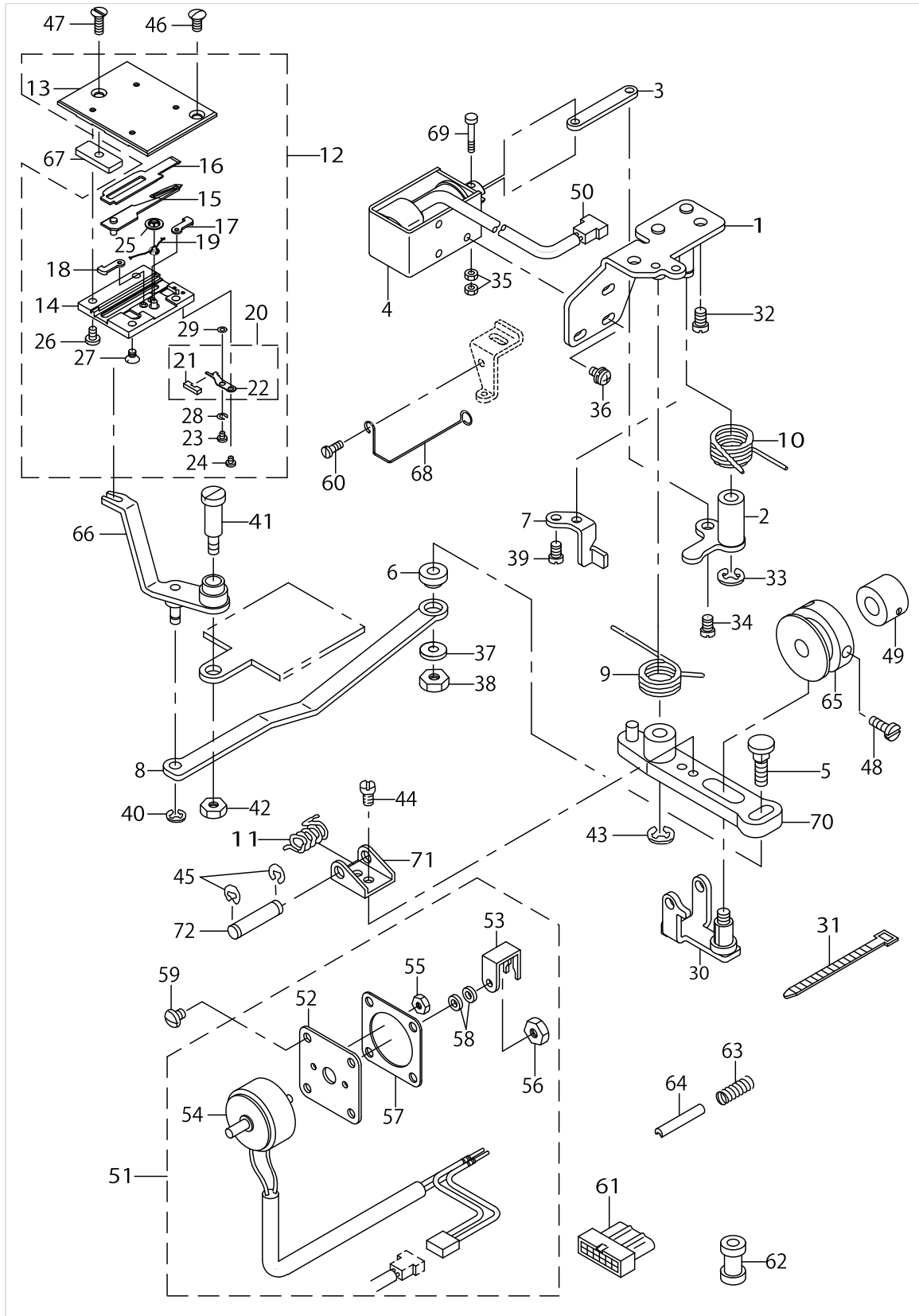
THREAD TRIMMER MECHANISM COMPONENTS



THREAD TRIMMER MECHANISM COMPONENTS

No.	Parts No.	Parts name	Remarks	Level	Cons	Qty
1	22554158	BASE PLATE ASM.				1
2	22554356	CLUTCH PLATE ASM.				1
3	22554505	CLUTCH LINK				1
4	40106079	THREAD_TRIMMER_SOLENOID				1
5	40010295	MOVING KNIFE LINK PIN				1
6	22554802	MOVING KNIFE LINK BASE				1
7	22554901	DRIVING ARM STOPPER				1
8	22555007	MOVING KNIFE LINK				1
9	22555106	KNIFE RETURN SPRING				1
10	22555205	CLUTCH SPRING				1
11	22555304	ROLLER RETURN SPRING				1
12	22557458	KNIFE UNIT				1
13	22558308	SLIDING PLATE		*		1
14	22558407	KNIFE BASE		*		1
15	22557557	DRIVING KNIFE ASM.		*		1
16	22557706	FIXED KNIFE		*		1
17	22557805	KNIFE STOPPER RIGHT		*		1
18	22557904	KNIFE STOPPER LEFT		*		1
19	22558209	SPRING		*		1
20	22558159	CLAMP PLATE ASM.		*		1
21	22558001	FELT		*		1
22	22558100	CLAMP PLATE		*		1
23	SS7060310SP	SCREW 3/32-56 L=3		*		1
24	SS7060310SP	SCREW 3/32-56 L=3		*		1
25	NP210300000	LOCATING SPRING WASHER		*		1
26	SS7090610SP	SCREW 9/64-40 L=6		*		2
27	SS1090510SP	SCREW 9/64-40 L=5		*		2
28	WS0270002KN	SPRING WASHER M2.6		*		1
29	D2056772B0B	WASHER B T=0.4		*		1
30	22555858	ROLLER ARM ASM.				1
31	EA9500B0100	CABLE BAND				2
32	SS4150915SP	SCREW 15/64-28 L=9				2
33	RE0600000K0	E-RING 6				1
34	SD0600291TP	HINGE SCKEW D=6 H=2.9				1
35	NM6030001SB	NUT M3				2
36	SL4040881SC	SCREW M4 L=8				3
37	WP0621016SH	WASHER				1
38	NS6150430SP	NUT 15/64-28				1
39	SS4110915SP	SCREW 11/64-40 L=9				2
40	RE0500000K0	E-RING				1
41	SD0791503SP	HINGE SCREW D=7.94 H=15				1
42	NS6150310SP	NUT 15/64-28				1
43	RE0600000K0	E-RING 6				1
44	SS7090610SP	SCREW 9/64-40 L=6				1
45	RE0400000K0	E-RING 4				2
46	SS2110920TP	SCREW 11/64-40 L=8.5				1
47	SS2111010TP	SCREW 11/64-40 L=9.5				1

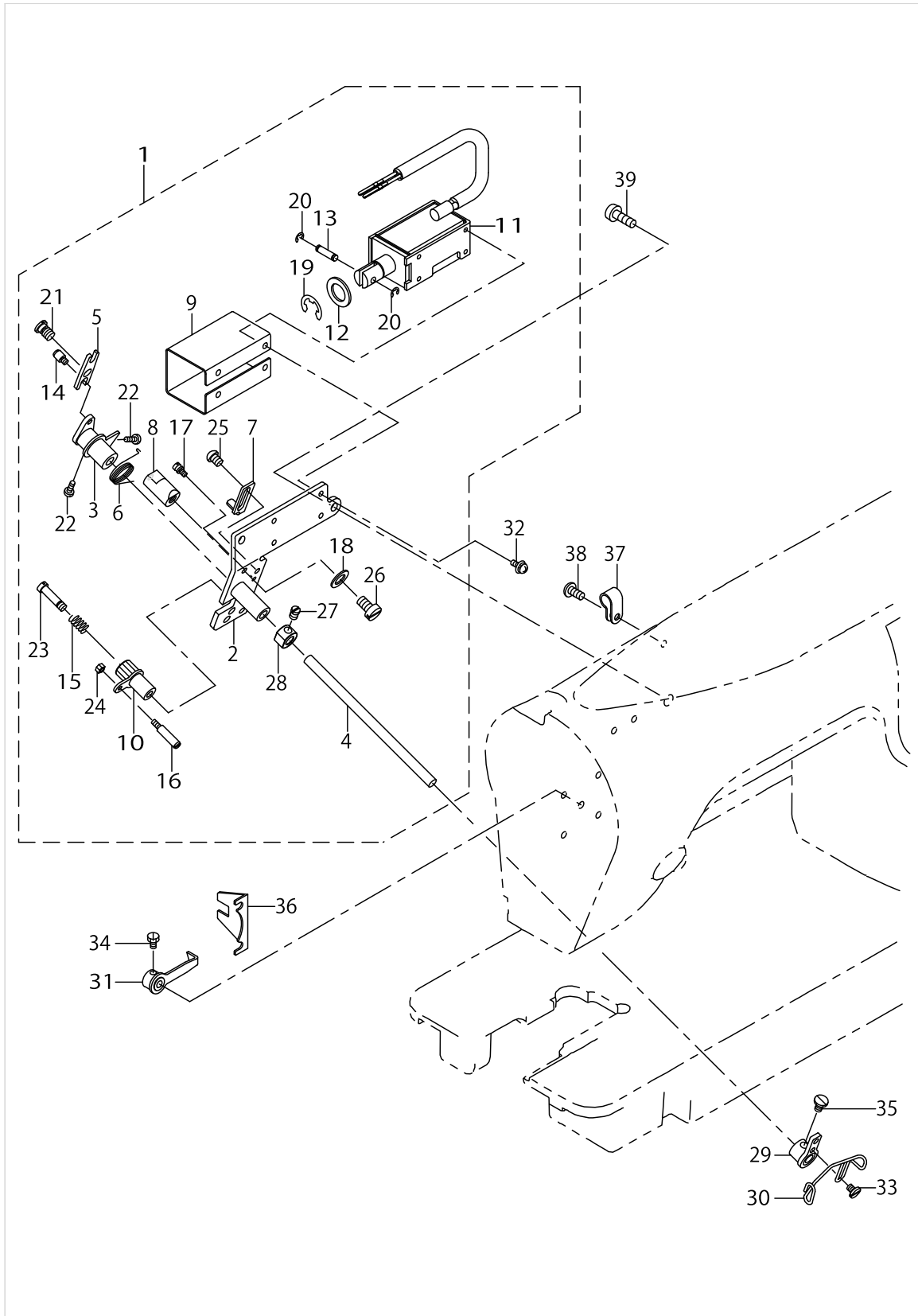
THREAD TRIMMER MECHANISM COMPONENTS



THREAD TRIMMER MECHANISM COMPONENTS

No.	Parts No.	Parts name	Remarks	Level	Cons	Qty
48	SS6660710TP	SCREW 1/4-40 L=7				2
49	CS095101BSH	THRUST COLLAR ASM. D=9.53 W=10				1
50	HK00443002A	HOUSING 2P				1
51	22552764	SOLENOID ASM.				1
52	22552806	SOLENOID FITTING BASE		*		1
53	22552905	THREAD RELEASE PUSH PLATE		*		1
54	22552756	THREAD RELEASE SOLENOID ASM.		*		1
55	NM6030001SC	NUT M3		*		2
56	NM6040001SN	NUT M4X0.7		*		1
57	22501704	GASKET		*		1
58	13705603	FRAME SIDE COVER GASKET		*		2
59	SS4120615SP	SCREW 3/16-28 L=6				4
60	SS4110515SP	SCREW 11/64-40 L=5				1
61	HK034610140	HOUSING 14P				1
62	D2467555B00	RUBBER PLUG				2
63	16194300	SPRING				1
64	PS0300182KF	SPRING PIN 3X18				1
65	22558506	THREAD CUTTING CAM B				1
66	22555551	FORK KNIFE ASM.				1
67	22556906	FIXED PLATE				1
68	22557003	CORD PRESSER				1
69	23542418	CLUTCH LINK PIN				1
70	22948558	KNIFE DRIVING ARM ASM.				1
71	11041308	ROLLER ARM BRACKET				1
72	11041407	ROLLER FULCRUM SHAFT				1

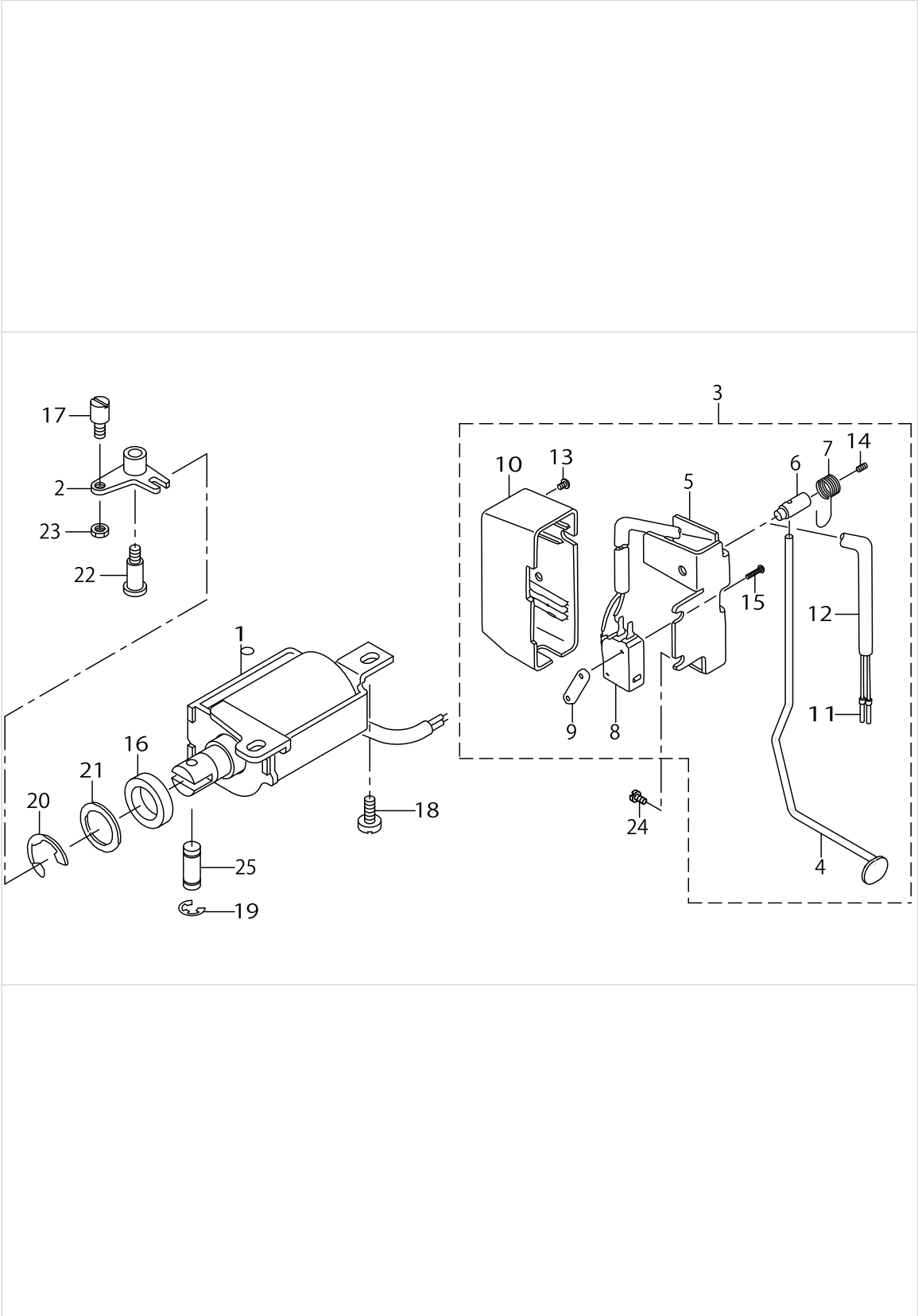
UPPER THREAD FEEDER COMPONENTS



UPPER THREAD FEEDER COMPONENTS

No.	Parts No.	Parts name	Remarks	Level	Cons	Qty
1	22564157	THREAD FEEDER ASM.				1
2	22564256	FITTING BASE COMPL.		*		1
3	22564454	FEED LEVER COMPL.		*		1
4	22564702	FEED LEVER SHAFT		*		1
5	22564801	LINK		*		1
6	22565204	FEED LEVER SPRING		*		1
7	22565303	STOPPER		*		1
8	40116710	SHAFT		*		1
9	22565501	SOLENOID COVER		*		1
10	22565659	PLATE		*		1
11	22565857	SOLENOID COMPL.		*		1
12	11234408	SOLENOID RUBBER		*		1
13	11234507	PLUNGER CONNECTING PIN		*		1
14	B2560372000	BUTTON CLAMP STOP PIN		*		1
15	B2626372000	SPRING		*		1
16	B2034372000	THREAD RELEASING SCREW STUD		*		1
17	B2024771000	SUSPENSION SCREW		*		1
18	WP0621046SP	WASHER		*		1
19	RE0900000K0	E-RING 9		*		1
20	RE0300000K0	E-RING 3		*		2
21	SD0640241SP	HINGE SCREW D= 6.35 H= 2.4		*		1
22	SS7110540SP	SCREW 11/64-40 L=5		*		2
23	SD0481451SP	HINGE SCREW D= 4.80 H=14.5		*		1
24	NS6080340SP	NUT 1/8-44		*		1
25	SS4120615SP	SCREW 3/16-28 L=6		*		1
26	SM6061010TP	SCREW M6 L=10		*		1
27	SS7110540SP	SCREW 11/64-40 L=5		*		2
28	CS0640863SH	THRUST COLLAR D=6.35 W=8		*		1
29	22564959	FITTING PLATE COMPL.				1
30	22565105	WIRE				1
31	22566152	STOPPER PLATE COMPL.				1
32	SL4030881SF	SCREW M3 L=8				4
33	SS6090540SP	SCREW 9/64-40 L= 5.0				2
34	SS9090610TP	SCREW 9/64-40 L=5.5				2
35	SS9110620TP	SCREW				2
36	22566301	STOPPER PLATE GUIDE				1
37	HX00123000A	CABLE CLIP	FOR LZ-228*N-7-00			1
38	SS4121015SP	SCREW 3/16-28 L=10	FOR LZ-228*N-7-00			1
39	SS4120915SP	SCREW 3/16-28 L=9				2

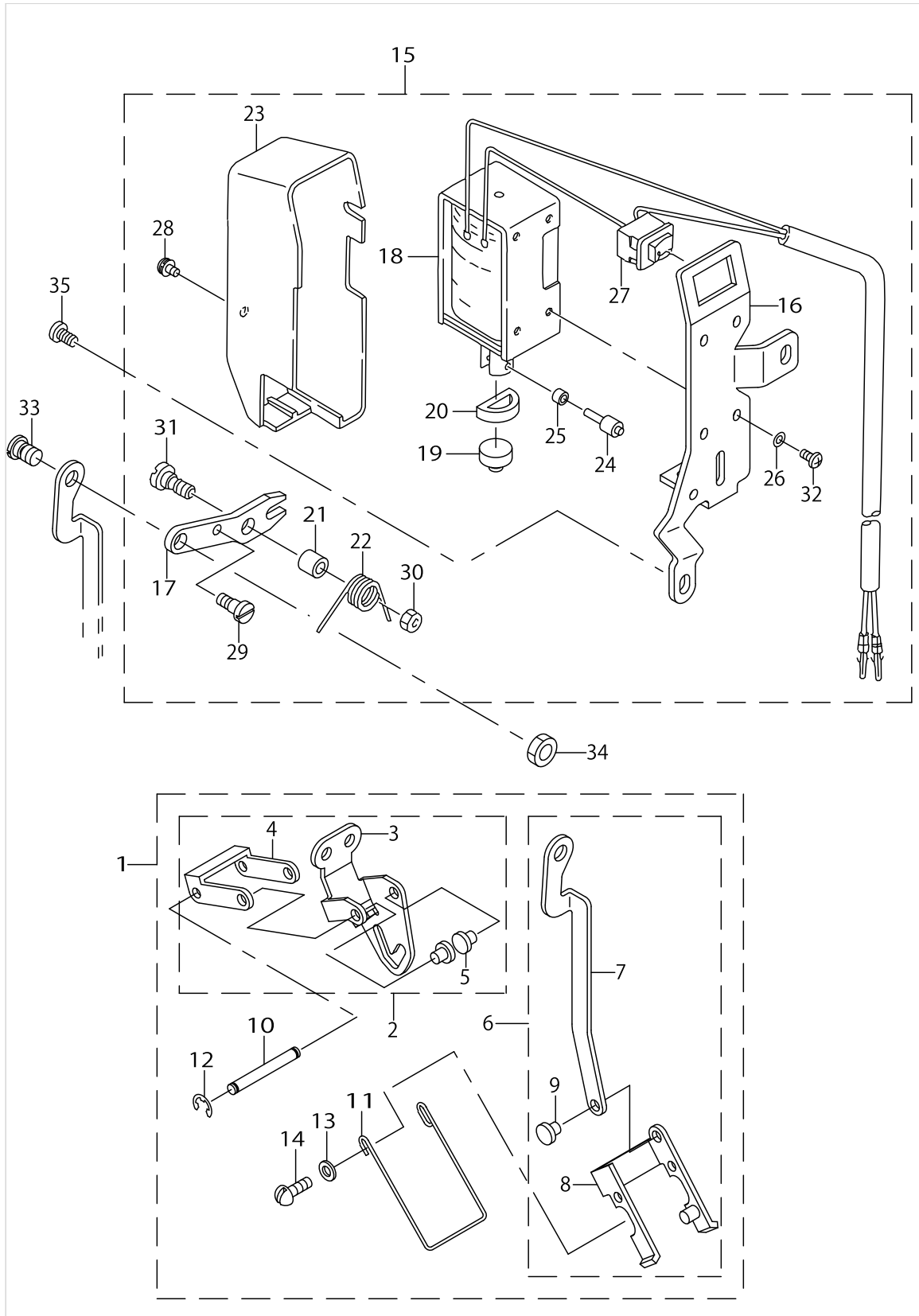
AUTOMATIC REVERSE FEED MECHANISM COMPONENTS



AUTOMATIC REVERSE FEED MECHANISM COMPONENTS

No.	Parts No.	Parts name	Remarks	Level	Cons	Qty
1	40108060	REVERSE FEED SOLENOID ASM.				1
2	22544159	REVERSE FEED MAGNET LINK ASM.				1
3	22559850	REVERSE FEED SWITCH ASM.				1
4	22559900	REVERSE FEED SWITCH LEVER		*		1
5	11102001	REVERSE FEED SWITCH BASE		*		1
6	11102100	REVERSE FEED SWITCH SHAFT		*		1
7	11102209	REVERSE FEED SWITCH SPRING		*		1
8	HA001900000	MICROSWITCH		*		1
9	11102308	MICRO SWITCH PLATE		*		1
10	11072501	REVERSE FEED SWITCH COVER		*		1
11	HK03464000B	PIN CONTACT		*		2
12	HW500070000	2-CORE CABTYRE CORD		*		1.5
13	SM4040655SP	SCREW M4 L=6		*		1
14	SM8040802TP	SCREW M4X8		*		1
15	SM4031501SC	SCREW M3 L=15		*		2
16	D2468555B00	RUBBER PLUNGER				1
17	B1213372000	SCREW				1
18	SS4150915SP	SCREW 15/64-28 L=9				2
19	RE0400000K0	E-RING 4				2
20	RE1200000K0	E-RING 12				1
21	WP1602616SZ	WASHER 16X24X2.6				1
22	SD0791503SP	HINGE SCREW D=7.94 H=15				1
23	NS6150310SP	NUT 15/64-28				1
24	SS4120615SP	SCREW 3/16-28 L=6				2
25	11101003	PLUNGER ARM PIN				1

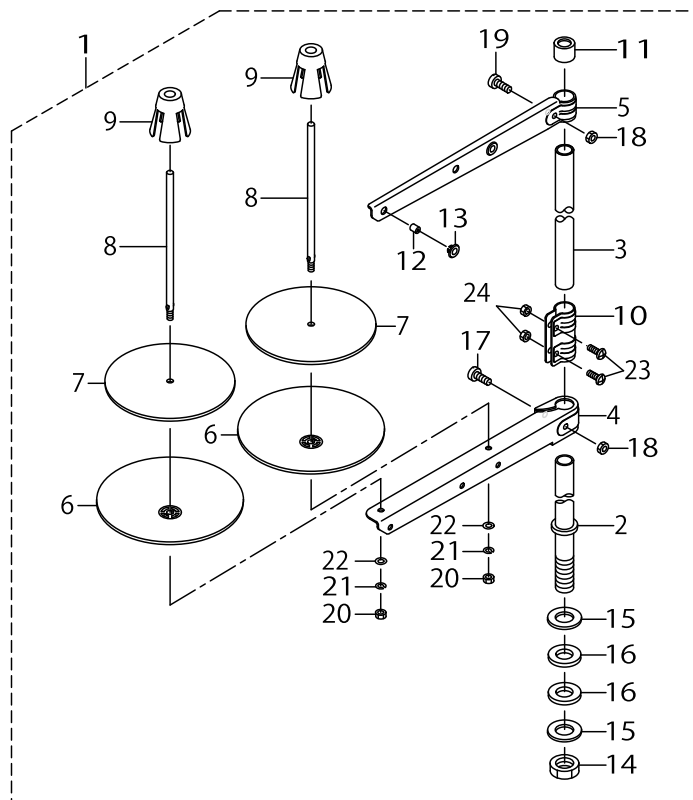
WIPER MECHANISM COMPONENTS



WIPER MECHANISM COMPONENTS

No.	Parts No.	Parts name	Remarks	Level	Cons	Qty
1	22561757	WIPER ASM.				1
2	22561856	WIPER BASE ASM.		*		1
3	22561807	WIPER BASE		*		1
4	10208601	WIPER LINK 1		*		1
5	D2107490D00	PIN		*		2
6	22561955	WIPER LINK COMPL.		*		1
7	22561906	WIPER LINK		*		1
8	10208858	WIPER LINK ASM. 2		*		1
9	D2107490D00	PIN		*		1
10	10208700	WIPER LINK SHAFT		*		1
11	22561708	WIPER		*		1
12	RE0320000K0	E-RING 3.2		*		2
13	WP0371016SD	WASHER 3.7X8X1		*		2
14	SS3090520SP	SCREW 9/64-40 L=4.5		*		2
15	22562052	SOLENOID ASM.				1
16	22562102	WIPER BASE		*		1
17	22562201	WIPER LINK		*		1
18	40106936	WIPER SOLENOID ASM.		*		1
19	22955900	WIPER RUBBER A		*		1
20	22956007	WIPER RUBBER B		*		1
21	22956205	WIPER HINGE SCREW COLLAR		*		1
22	22956304	WIPER SPRING		*		1
23	22955504	WIPER COVER		*		1
24	22957104	WIPER SOLENOID SHAFT		*		1
25	22957203	WIPER LINK COLLAR		*		1
26	WS0310002KR	SPRING WASHER 3.1X5.9X0.7		*		4
27	HA00600000A	SWITCH		*		1
28	SL4030631SC	SCREW M3X6		*		1
29	SD0500481TP	HINGE SCREW D= 5 H= 4.8		*		1
30	NS6110310SP	NUT 11/64-40		*		1
31	SD0650321TP	HINGE SCREW D=6.5 H=3.2		*		1
32	SM4030601SN	SCREW M3 X 6		*		4
33	SD0600271SP	HINGE SCREW D= 6 H= 2.7				1
34	NS6110310SP	NUT 11/64-40				1
35	SS4120615SP	SCREW 3/16-28 L=6				2

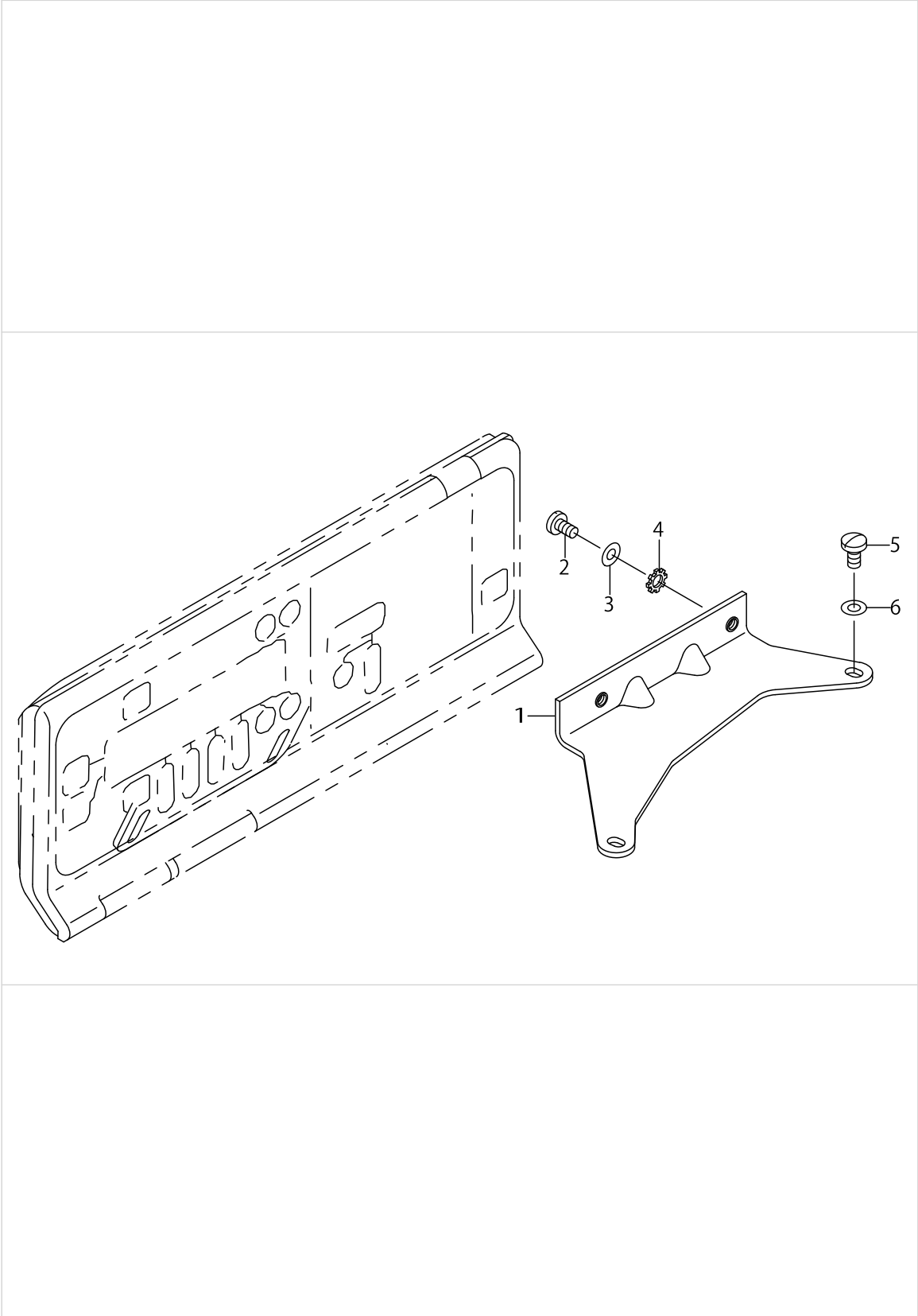
THREAD STAND COMPONENTS



THREAD STAND COMPONENTS

No.	Parts No.	Parts name	Remarks	Level	Cons	Qty
1	40096354	THREAD STAND ASM.				1
2	40085784	SPOOL REST ROD LOWER		*		1
3	40085785	SPOOL REST ROD UPPER		*		1
4	40085786	SPOOL REST ARM LOWER		*		1
5	40085787	SPOOL REST ARM UPPER		*		1
6	40085788	SPOOL REST		*		2
7	40085789	SPOOL REST CUSHION		*		2
8	40085790	SPOOL PIN		*		2
9	40085791	SPOOL RETAINER		*		2
10	40085792	SPOOL REST ROD JOINT		*		1
11	40085793	SPOOL REST ROD RUBBER CAP		*		1
12	40085794	THREAD GUIDE		*		2
13	40085795	THREAD GUIDE BUSHING		*		2
14	40096325	SPOOL REST ROD NUT		*		1
15	WP1612616SE	WASHER 16X30X2.6		*		2
16	40085796	SPOOL REST ROD RUBBER CUSHION		*		2
17	40096326	SPOOL REST ARM LOWER SCREW		*		1
18	NM6050001SE	NUT M5		*		2
19	40096327	SPOOL REST ARM UPPER SCREW		*		1
20	NM6050001SE	NUT M5		*		2
21	WS0510002KN	SPRING WASHER M5		*		2
22	WP0531001SC	WASHER M5		*		2
23	SM4051405SE	SCREW M5 L=14		*		2
24	NM6050001SE	NUT M5		*		2

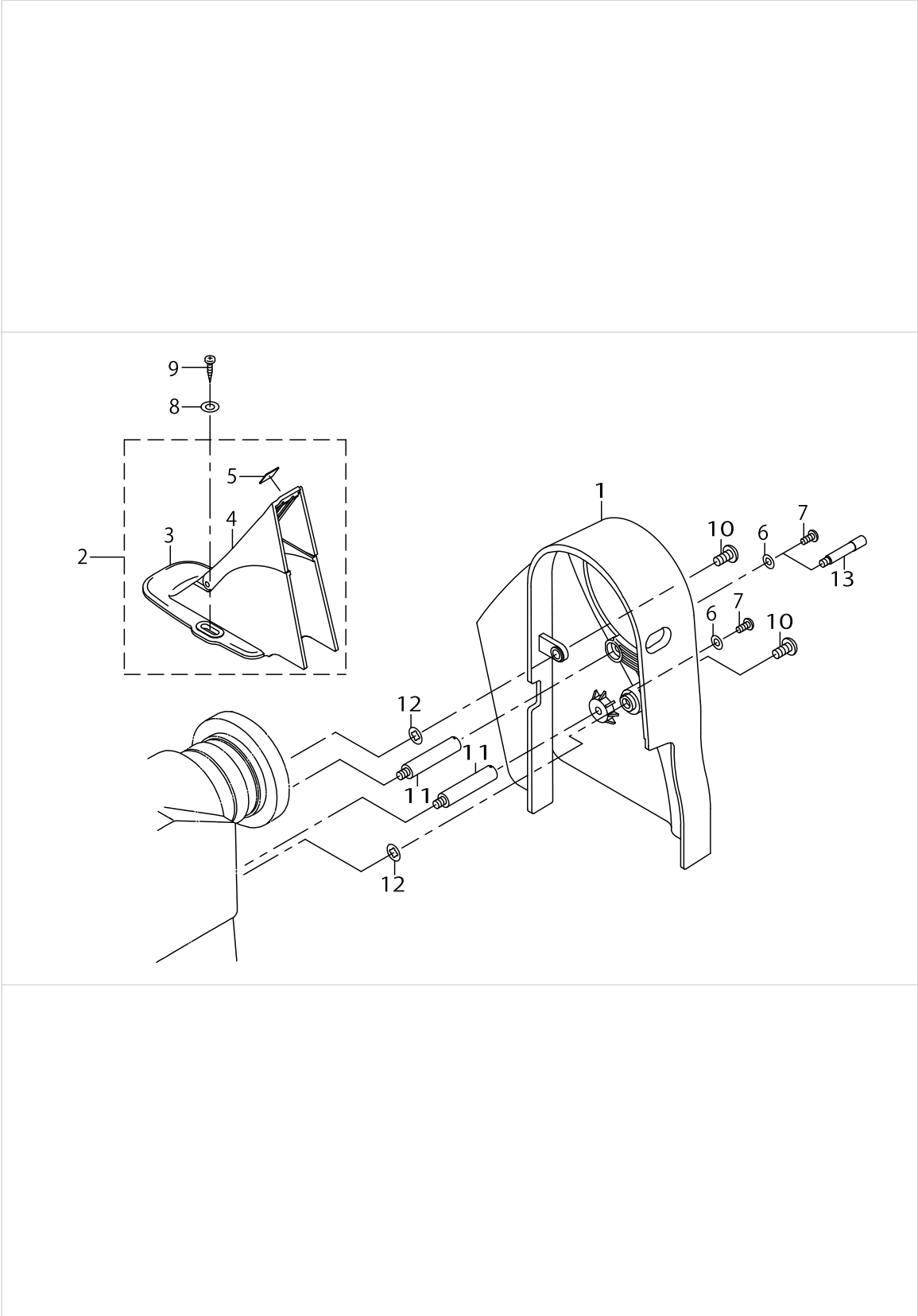
CP PANEL COMPONENTS



CP PANEL COMPONENTS

No.	Parts No.	Parts name	Remarks	Level	Cons	Qty
1	22550602	BRACKET	FOR LZ-228*N-7			1
2	SS7110840SP	SCREW 11/64-40 L=7.8	FOR LZ-228*N-7			2
3	WP0450801SD	WASHER 4.5X10X0.8	PARTS PACKED TOGETHER WITH THE CP PANEL			2
4	WT0530002KS	TOOTHED WASHER D=5.3	PARTS PACKED TOGETHER WITH THE CP PANEL			2
5	SS7120910TP	SCREW 3/16-28 L=9	FOR LZ-228*N-7			2
6	WP0531001SC	WASHER	FOR LZ-228*N-7			2

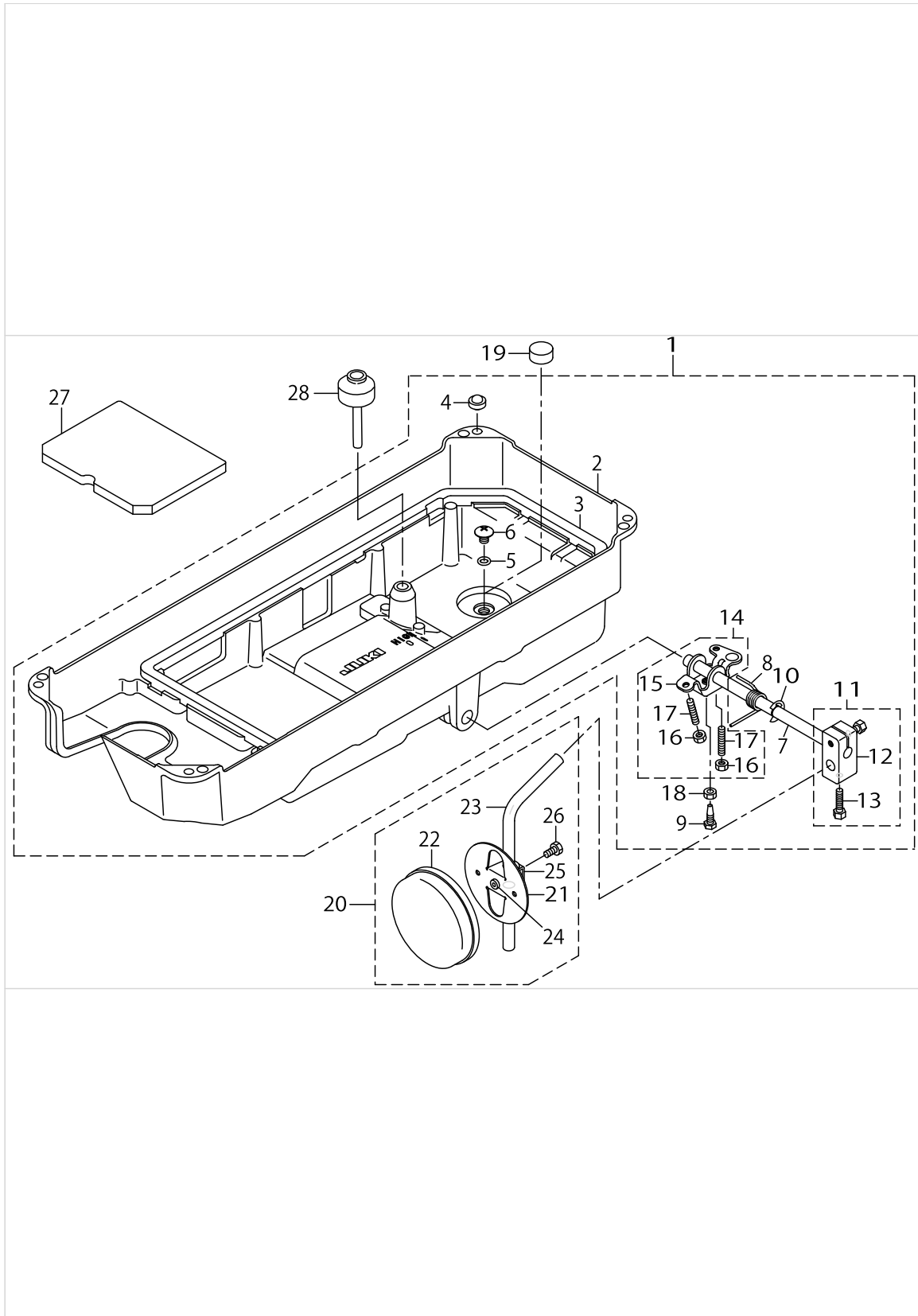
BELT COVER COMPONENTS



BELT COVER COMPONENTS

No.	Parts No.	Parts name	Remarks	Level	Cons	Qty
1	26319400	BELT COVER A				1
2	26319558	BELT COVER B (COMPL.)				1
3	26319509	BELT COVER B		*		1
4	26319608	BELT COVER C		*		1
5	26319806	VIBROISOLATING RUBBER		*		1
6	WP0450801SD	WASHER 4.5X10X0.8				2
7	SS4110915SP	SCREW 11/64-40 L=9				2
8	WP0450826SC	WASHER 4.5X10X0.8				2
9	SK3412001SE	WOOD SCREW D=4.1 L=20				2
10	SS4151215SP	SCREW 15/64-28 L=12				2
11	40101337	BELT COVER SUPPORT STUD				2
12	22535603	WASHER				2
13	22535454	SYNCHRONIZER SUPPORT ASM.	SPECIAL ORDER PARTS			1

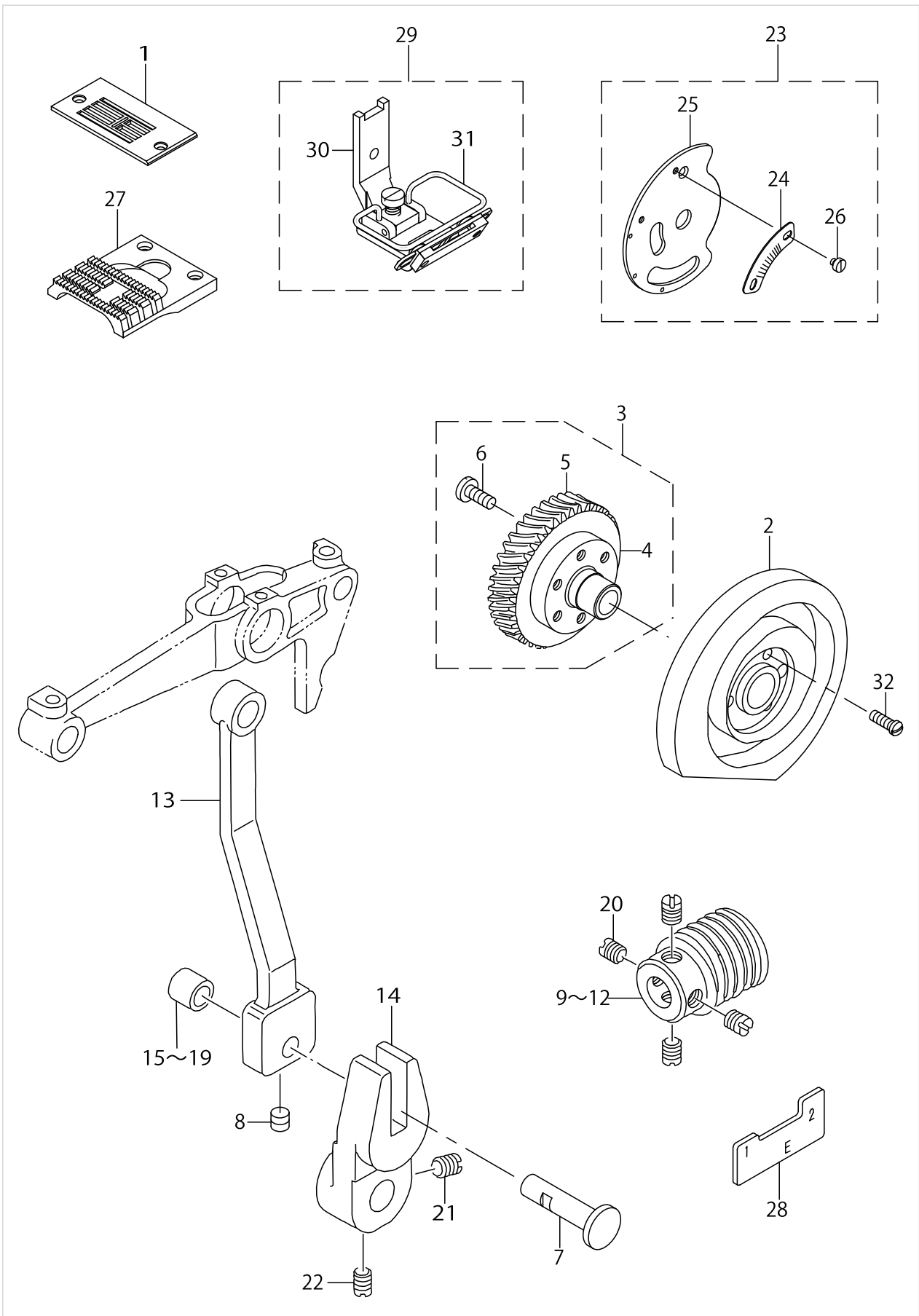
OIL RESERVOIR & KNEE LIFTER COMPONENTS



OIL RESERVOIR & KNEE LIFTER COMPONENTS

No.	Parts No.	Parts name	Remarks	Level	Cons	Qty
1	23502651	OIL RESERVOIR ASM.				1
2	22534010	OIL RESERVOIR		*		1
3	10038107	OIL RESERVOIR GASKET		*		1
4	22932008	RUBBER CUSHION		*		4
5	13170105	RUBBER RING		*		1
6	13171004	DRAIN SCREW		*		1
7	22932305	KNEE PRESS CROSS SHAFT		*		1
8	22932206	SPRING		*		1
9	SM9061853SR	SCREW M6 L=17.5		*		1
10	RE1000000K0	E-RING 10		*		1
11	22932453	BRACKET ASM.		*		1
12	22932404	BRACKET		*		1
13	22934707	SCREW		*		2
14	22932156	KNEE LIFTER ROTATION ARM ASM.		*		1
15	22932107	KNEE LIFTING ROTATING ARM		*		1
16	NM6060001SE	NUT M6		*		2
17	SM8063012TR	SCREW M6 L=30		*		2
18	NM6060001SE	NUT M6		*		1
19	B8228125000	OIL RESERVOIR MAGNET				1
20	22934251	KNEE PAD PLATE ASM.				1
21	22934202	KNEE PAD PLATE		*		1
22	22934509	KNEE PAD PLATE COVER		*		1
23	22934608	KNEE PAD UPRIGHT SHAFT		*		1
24	22934400	KNEE PAD PLATE RUBBER		*		1
25	22934301	KNEE PAD PLATE SUPPORT		*		1
26	SM9061203SE	SCREW M6 L=12		*		1
27	22534101	OIL RESERVOIR BASE				1
28	B3421555000	KNEE PRESS LIFTER ROD				1

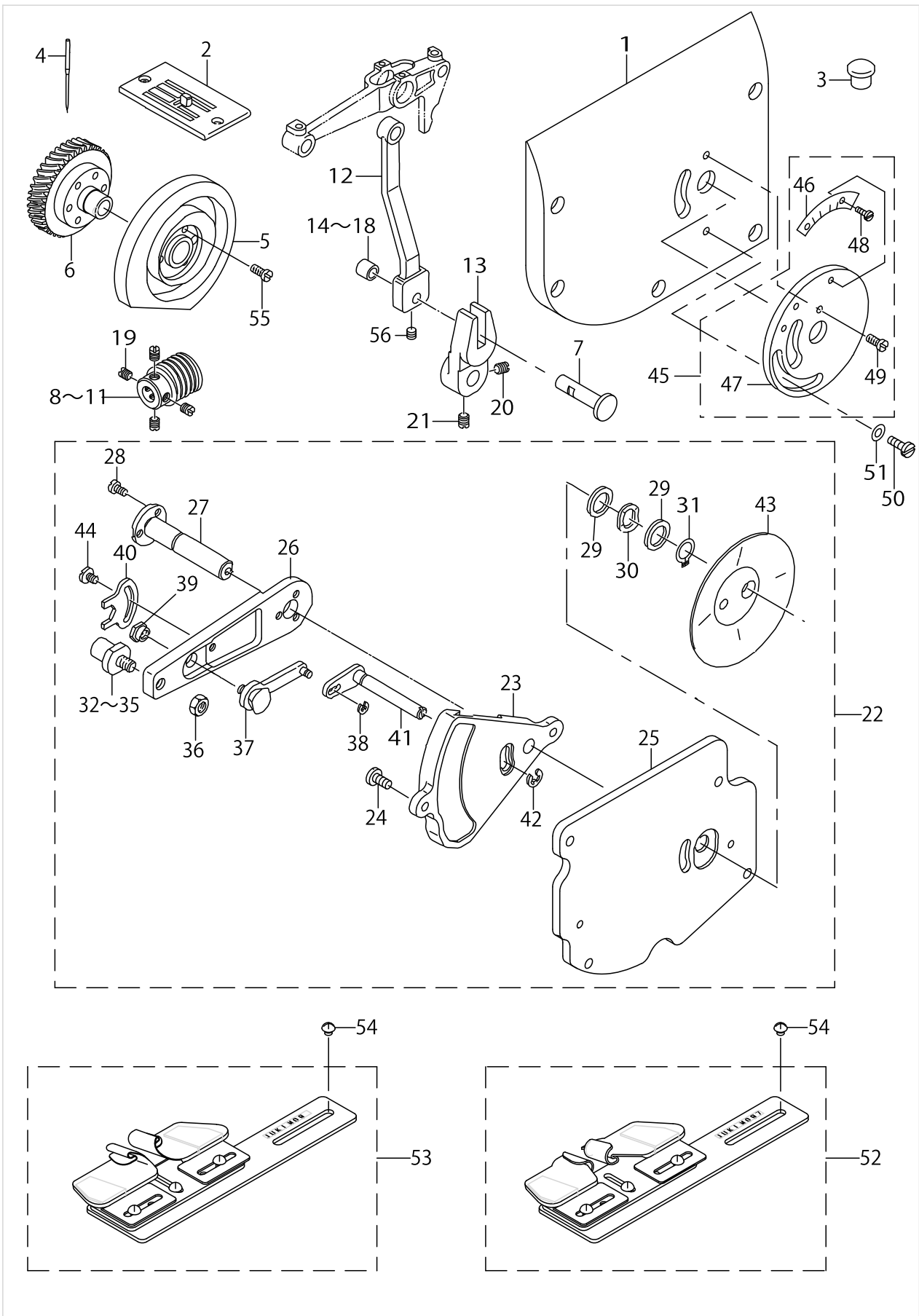
EXCLUSIVE PARTS FOR LZ-2286NT



EXCLUSIVE PARTS FOR LZ-2286NT

No.	Parts No.	Parts name	Remarks	Level	Cons	Qty
1	22582407	NEEDLE PLATE				1
2	22585400	NEEDLE VIBRATING CAM A				1
3	22585855	WORM WHEEL COMPL.				1
4	22585806	WORM WHEEL HUB		*		1
5	10043412	WORM WHEEL		*		1
6	SS7111120SP	SCREW 11/64-40 L=10.5		*		3
7	22585707	SHAFT				1
8	SS8110422TP	SCREW 11/64-40 L=4				1
9	22527006	WORM A	SELECTIVE PARTS			1
10	22527105	WORM B	SELECTIVE PARTS			1
11	22527204	WORM C	SELECTIVE PARTS			1
12	22527303	WORM D	SELECTIVE PARTS			1
13	10044014	NEEDLE VIBRATING ROD				1
14	10044105	ROD GUIDE				1
15	B2502280B0A	FEED CAM ROLLER	SELECTIVE PARTS			1
16	B2502280B0B	FEED CAM ROLLER	SELECTIVE PARTS			1
17	B2502280B0C	FEED CAM ROLLER	SELECTIVE PARTS			1
18	B2502280B0D	FEED CAM ROLLER	SELECTIVE PARTS			1
19	B2502280B0E	FEED CAM ROLLER	SELECTIVE PARTS			1
20	SS8660610TP	SCREW 1/4-40 L=6				4
21	SS8660810TP	SCREW 1/4-40 L=8				1
22	SS8660970TP	SCREW 1/4-40 L= 8.5				1
23	22586275	SWING WIDE GRADUATION ASM.				1
24	22586226	SWING WIDE GRADUATION		*		1
25	26306951	SCALE MOUNTING BASE COMPL.		*		1
26	SS6080320SP	SCREW 1/8-44 L= 2.5		*		2
27	22581508	FEED DOG				1
28	22536502	TIMING GAUGE E				1
29	MAB109000B0	TAPING FOOT				1
30	MAB109000A0	TAPING PRESSER ASM.		*		1
31	22545404	SAFETY COVER		*		1
32	SS71111410SP	SCREW 11/64-40 L=14				3

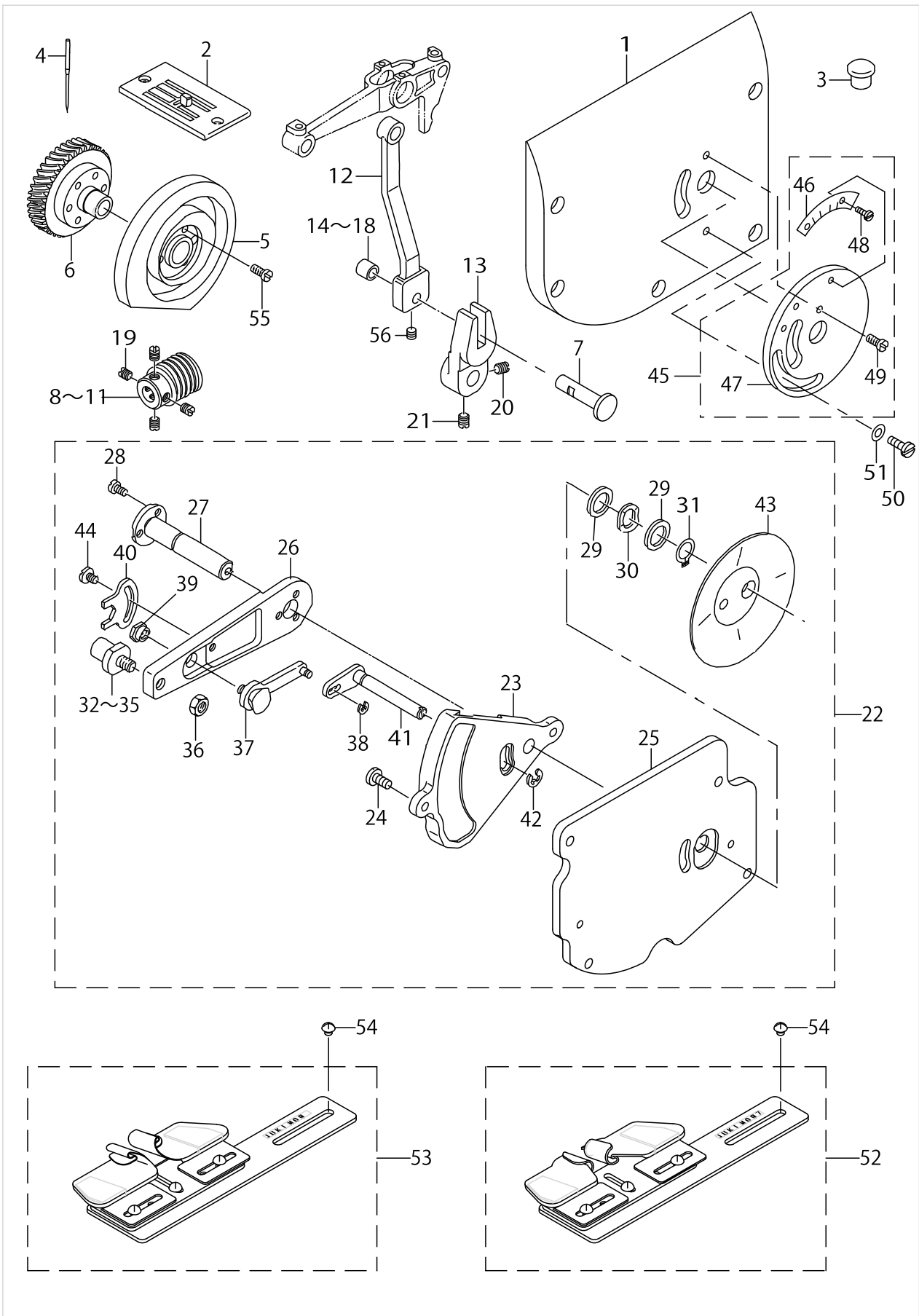
EXCLUSIVE PARTS FOR LZ-2285N (1)



EXCLUSIVE PARTS FOR LZ-2285N (1)

No.	Parts No.	Parts name	Remarks	Level	Cons	Qty
1	22592505	ARM SIDE COVER				1
2	10061554	THROAT PLATE ASM.				1
3	TA1871602R0	RUBBER PLUG				1
4	MC1923F0800	NEEDLE 438SUK 80				1
5	22585509	NEEDLE VIBRATING CAM				1
6	22585855	WORM WHEEL COMPL.				1
7	22585707	SHAFT				1
8	22527006	WORM	SELECTIVE PARTS			1
9	22527105	WORM	SELECTIVE PARTS			1
10	22527204	WORM	SELECTIVE PARTS			1
11	22527303	WORM	SELECTIVE PARTS			1
12	10044014	NEEDLE VIBRATING ROD				1
13	10044105	ROD GUIDE				1
14	B2502280B0A	FEED CAM ROLLER	SELECTIVE PARTS			1
15	B2502280B0B	FEED CAM ROLLER	SELECTIVE PARTS			1
16	B2502280B0C	FEED CAM ROLLER	SELECTIVE PARTS			1
17	B2502280B0D	FEED CAM ROLLER	SELECTIVE PARTS			1
18	B2502280B0E	FEED CAM ROLLER	SELECTIVE PARTS			1
19	SS8660610TP	SCREW 1/4-40 L=6				4
20	SS8660810TP	SCREW 1/4-40 L=8				1
21	SS8660970TP	SCREW 1/4-40 L= 8.5				1
22	22592653	BASE ASM.				1
23	10054112	ARM SETTING BASE		*		1
24	SS7110910TP	SCREW 11/64-40 L= 8.5		*		2
25	22592604	MOUNTING PLATE		*		1
26	26301507	ARM		*		1
27	26307306	SHAFT		*		1
28	SS6090620SP	SCREW 9/64-40 L=6		*		3
29	WP1020616SD	WASHER		*		2
30	WZ1052010KP	WAVED WASHER		*		1
31	RC0100001KP	SNAP RING M10		*		1
32	10016210	SHAFT	SELECTIVE PARTS	*		1
33	10016319	SHAFT	SELECTIVE PARTS	*		1
34	10016418	SHAFT	SELECTIVE PARTS	*		1
35	10016517	SHAFT	SELECTIVE PARTS	*		1
36	NS6150310SP	NUT 15/64-28		*		1
37	10017168	STOPPER ASM.		*		1
38	RE0200000K0	E-RING		*		1
39	10018000	NUT		*		1
40	10018109	NUT STOPPER		*		1
41	10015360	LEVER ASM.		*		1
42	RE0400000K0	E-RING 4		*		1
43	10017606	OIL SHIELD		*		1
44	SS6090520SP	SCREW 9/64-40 L= 5.0		*		1
45	22590061	SCALE ASM.				1
46	22586200	SCALE		*		1
47	22592802	SCALE MOUNTING BASE		*		1

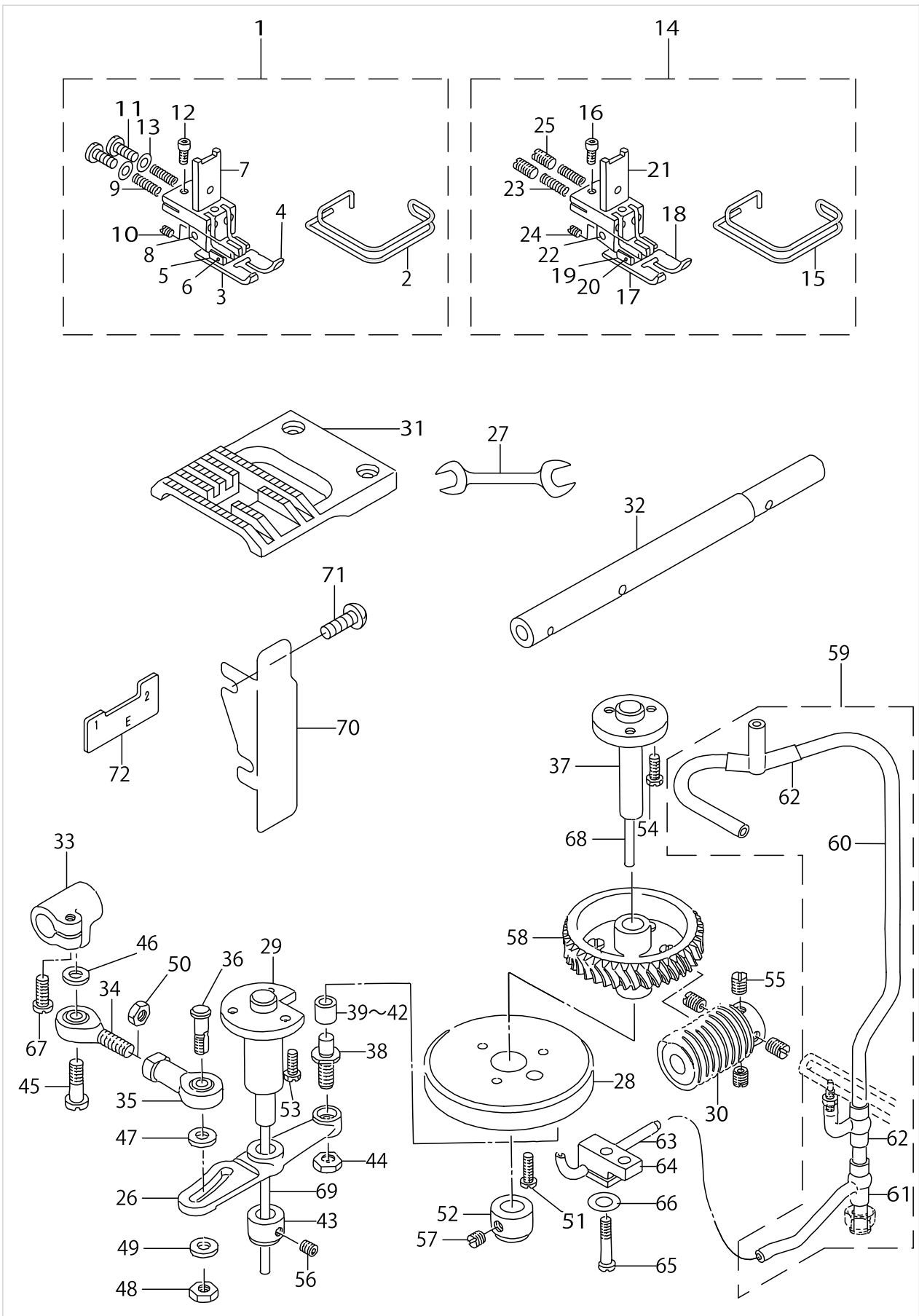
EXCLUSIVE PARTS FOR LZ-2285N (1)



EXCLUSIVE PARTS FOR LZ-2285N (1)

No.	Parts No.	Parts name	Remarks	Level	Cons	Qty
48	SS6080320SP	SCREW 1/8-44 L= 2.5		*		2
49	SS6111010SP	SCREW 11/64-40 L= 9.5		*		1
50	SS6110510SP	SCREW 11/64-40 L=5				1
51	WP0480856SP	WASHER 4.8X8.4X0.8				1
52	MAM097000A0	FAGOTING FELLER	SPECIAL ORDER PARTS			1
53	MAM09700BA0	FAGOTING FOLDER ASM.				1
54	SS5110710SP	SCREW 11/64-40 L=7				2
55	SS7111410SP	SCREW 11/64-40 L=14				3
56	SS8110422TP	SCREW 11/64-40 L=4				1

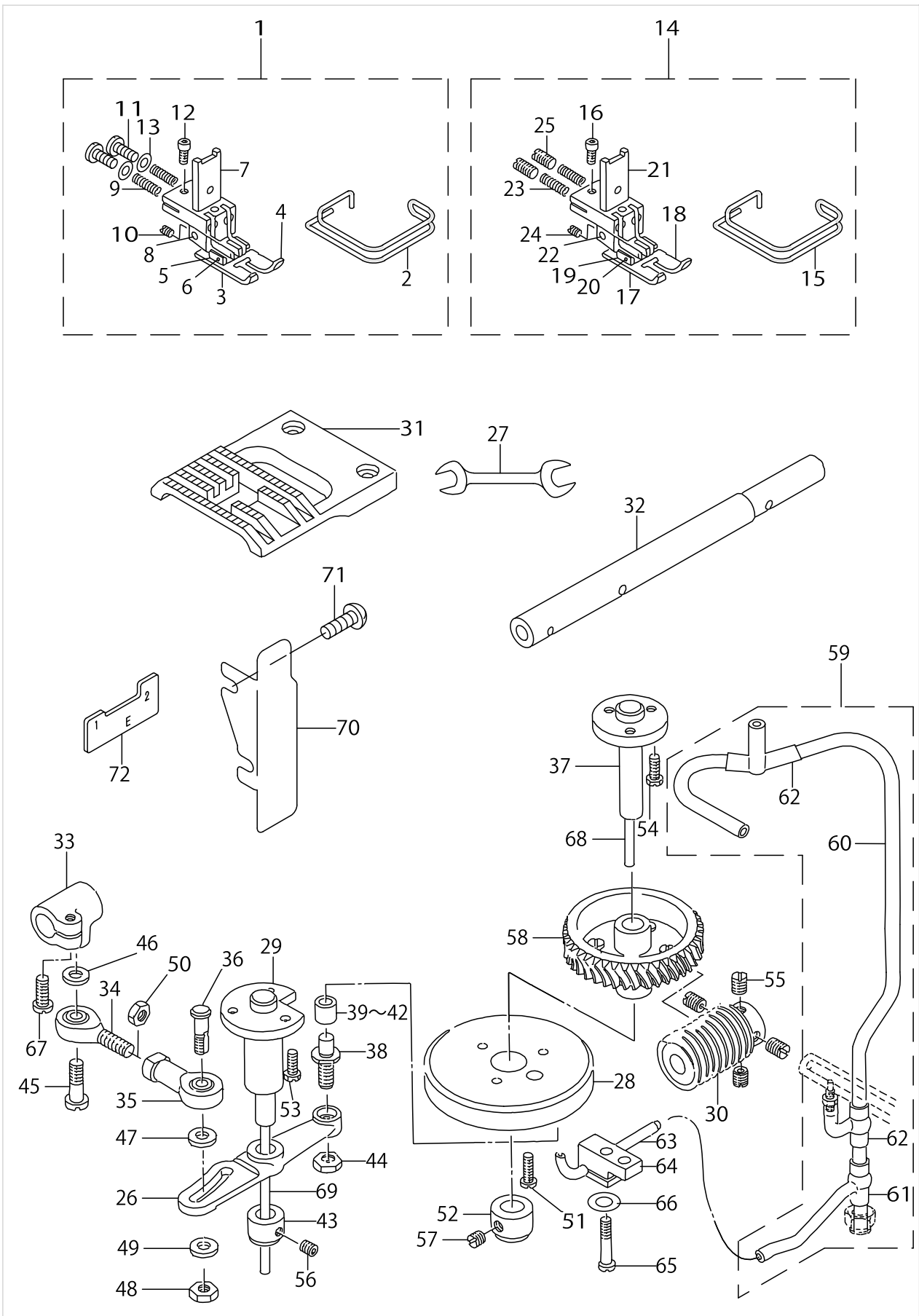
EXCLUSIVE PARTS FOR LZ-2285N (2)



EXCLUSIVE PARTS FOR LZ-2285N (2)

No.	Parts No.	Parts name	Remarks	Level	Cons	Qty
1	22591564	PRESSER FOOT ASM.	NO NECESSARY PART ACCORDING TO DESTINATIONS			1
2	22591101	FINGER GUARD		*		1
3	10062701	PRESSER FOOT LEFT		*		1
4	10062800	PRESSER FOOT RIGHT		*		1
5	22591408	PRESSER FOOT ASM.		*		2
6	10063303	PIN		*		2
7	10063402	PRESSER FOOT UPPER		*		1
8	10063501	PIN		*		1
9	10063600	SPRING		*		2
10	SS8080410TP	SCREW 1/8-44 L=3.5		*		1
11	SS7111110TP	SCREW 11/64-40 L=10.5		*		2
12	SS6580752TP	SCREW 1/8-40 L=7		*		1
13	WP0220300SC	WASHER		*		2
14	22591663	PRESSER FOOT ASM.	SPECIAL ORDER PARTS			1
15	22591101	FINGER GUARD		*		1
16	SS6580752TP	SCREW 1/8-40 L=7		*		1
17	10062701	PRESSER FOOT LEFT		*		1
18	10062800	PRESSER FOOT RIGHT		*		1
19	10063204	PRESSER FOOT ARM		*		2
20	10063303	PIN		*		2
21	10063402	PRESSER FOOT UPPER		*		1
22	10063501	PIN		*		1
23	10063600	SPRING		*		2
24	SS8080410TP	SCREW 1/8-44 L=3.5		*		1
25	SS8111010TP	SCREW 11/64-40 L=9.5		*		2
26	22590301	LEVER				1
27	B9113012000	WRENCH (9X10)			1	
28	22590400	FEED CAM			1	
29	22590509	SHAFT			1	
30	10063808	WORM			1	
31	10064004	FEED DOG			1	
32	10064103	FEED ROCKER SHAFT			1	
33	10064202	FEED ROCKER SHAFT CRANK			1	
34	10064301	BALL JOINT A			1	
35	10064400	BALL JOINT B			1	
36	10064608	FEED REGULATOR			1	
37	10064905	FEED CAM SHAFT			1	
38	10065001	FEED CAM ROLLER SHAFT			1	
39	B250228000A	FEED CAM ROLLER	SELECTIVE PARTS		1	
40	B250228000B	FEED CAM ROLLER	SELECTIVE PARTS		1	
41	B250228000C	FEED CAM ROLLER	SELECTIVE PARTS		1	
42	B250228000D	CLOTH FEED CAM ROLLER	SELECTIVE PARTS		1	
43	CS1031210SH	THRUST COLLAR ASM. D=10.32 W=12			1	
44	NS6150430SP	NUT 15/64-28			1	
45	SD0601051SP	HIGE SCREW D=6 H=10.5			1	
46	WP0612066SP	WASHER 6.1X11X2			1	

EXCLUSIVE PARTS FOR LZ-2285N (2)

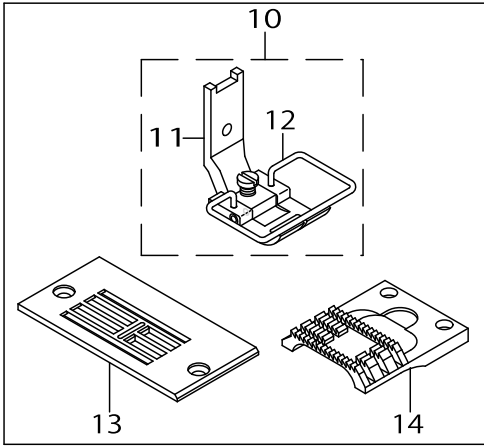


EXCLUSIVE PARTS FOR LZ-2285N (2)

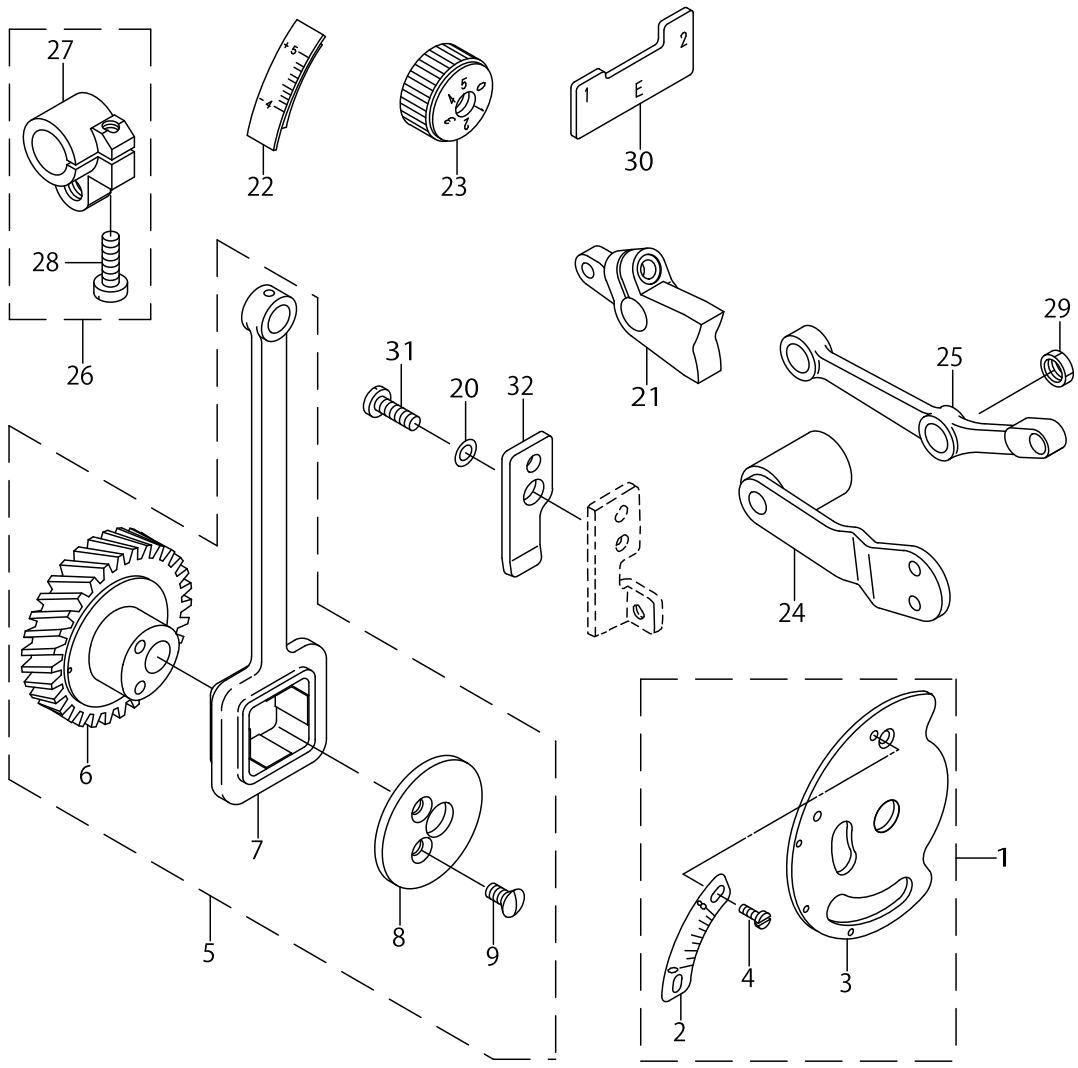
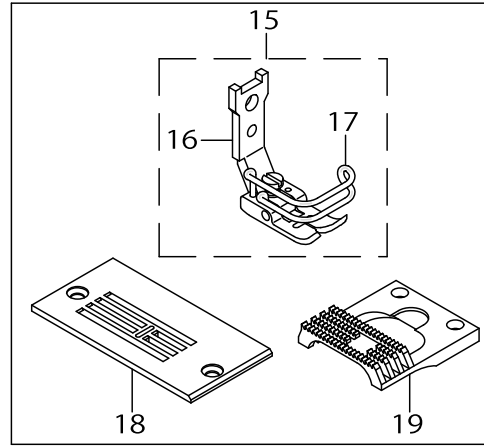
No.	Parts No.	Parts name	Remarks	Level	Cons	Qty
47	WP0612066SP	WASHER 6.1X11X2				1
48	NS6150430SP	NUT 15/64-28				1
49	WP0621016SH	WASHER				1
50	NM6060001SE	NUT M6				1
51	SS7111410SP	SCREW 11/64-40 L=14				3
52	CS1031210SH	THRUST COLLAR ASM. D=10.32 W=12				1
53	SS9661120CP	SCREW 1/4-40 L=10.5				3
54	SS9661120CP	SCREW 1/4-40 L=10.5				3
55	SS8660610TP	SCREW 1/4-40 L=6				4
56	SS8660610TP	SCREW 1/4-40 L=6				2
57	SS8660610TP	SCREW 1/4-40 L=6				2
58	10043461	WORM WHEEL ASM.				1
59	22590855	OIL SUPPLY PIPE ASM.				1
60	22590806	OIL SUPPLY PIPE		*		1
61	10035509	RUBBER JOINT		*		1
62	B3527552000	RUBBER JOINT		*		2
63	10065209	CAM OIL PIPE				1
64	B3554481000	HOLDER				1
65	SS4110915SP	SCREW 11/64-40 L=9				1
66	WP0501016SD	WASHER 5X10.5X1				1
67	SS6121210SP	SCREW 3/16-28 L=12				1
68	CQ500600000	OIL WICK				0.1
69	CQ303000000	OIL WICK				0.1
70	22593107	BELT COVER				1
71	SS4120615SP	SCREW 3/16-28 L=6				2
72	22536502	TIMING GAUGE E				1

EXCLUSIVE PARTS FOR LZ-2281N

FOR LZ-2281NB
LZ-2281NB用



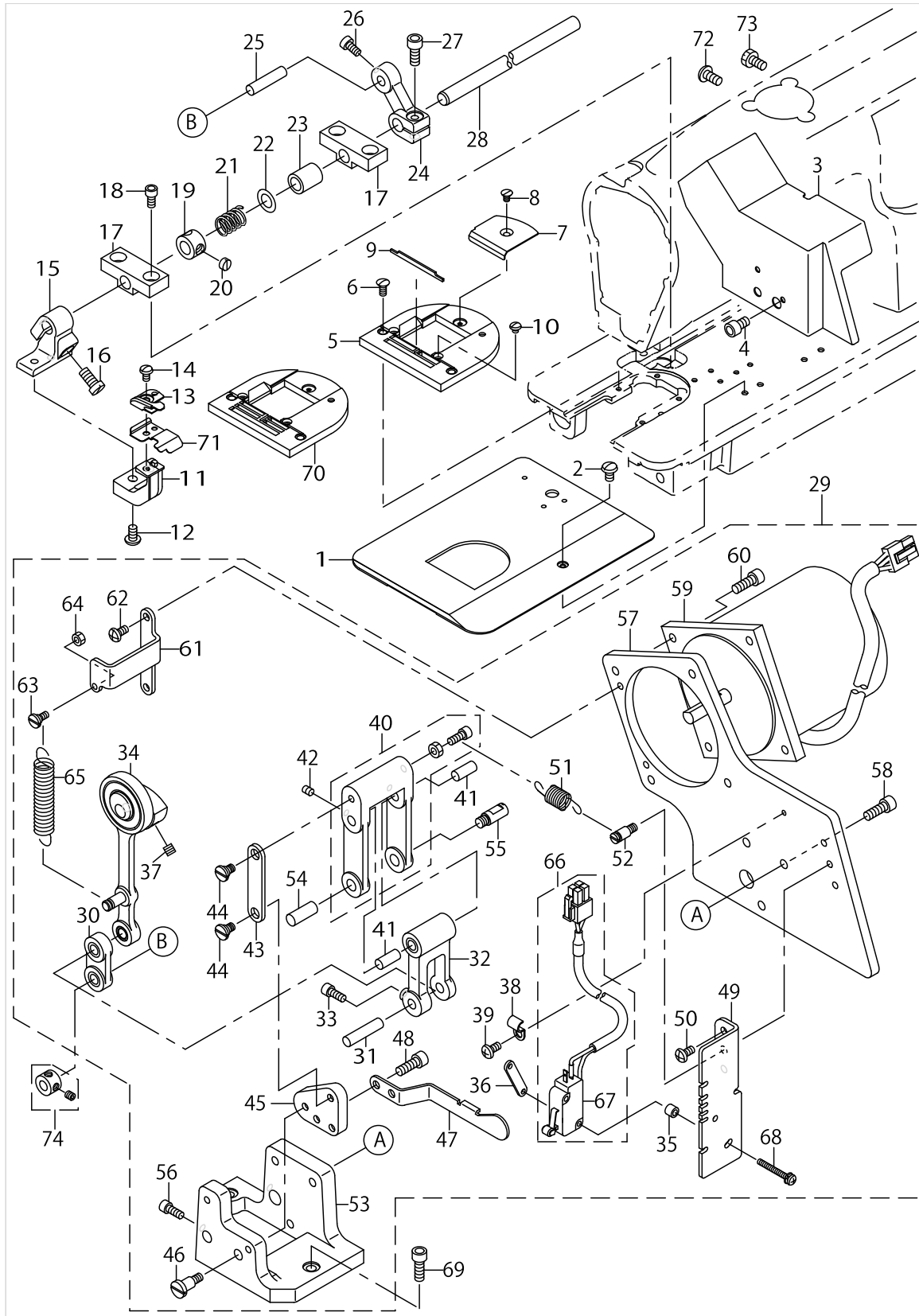
FOR LZ-2281NA
LZ-2281NA用



EXCLUSIVE PARTS FOR LZ-2281N

No.	Parts No.	Parts name	Remarks	Level	Cons	Qty
1	22540769	SCALE PLATE ASM.				1
2	22540710	SCALE PLATE		*		1
3	26306951	SCALE MOUNTING BASE COMPL.		*		1
4	SS6080320SP	SCREW 1/8-44 L= 2.5		*		2
5	22542559	NEEDLE DRIVING CAM.				1
6	22542500	NEEDLE VIBRATING CAM		*		1
7	22510101	NEEDLE VIBRATING ROD		*		1
8	22510200	CAM COVER		*		1
9	SS2110920TP	SCREW 11/64-40 L=8.5		*		2
10	22580369	PRESSER FOOT ASM.	FOR LZ-2281NB			1
11	10045060	PRESSER FOOT ASM. A		*		1
12	22580302	SAFETY COVER		*		1
13	22582407	NEEDLE PLATE	FOR LZ-2281NB			1
14	22540009	FEED DOG	FOR LZ-2281NB			1
15	22548671	PRESSER ASM.	FOR LZ-2281NA			1
16	22546816	PRESSER UPPER		*		1
17	10021202	FINGER COVER		*		1
18	22548010	NEEDLE PLATE	FOR LZ-2281NA			1
19	22548119	FEED DOG	FOR LZ-2281NA			1
20	WP0480856SP	WASHER 4.8X8.4X0.8				1
21	22541106	FEED DRIVING ADJUSTER				1
22	22540207	SCALE PLATE				1
23	11071909	FEED DIAL				1
24	22540454	BALANCE WEIGHT COMPL.				1
25	40010276	HORIZONTAL FEED JUNCTION ROD				1
26	B16085550A0	FEED ROCKER SHAFT CRANK ASM.				1
27	B1608555000	FEED ROCKER SHAFT CRANK ARM		*		1
28	SS6121610TP	SCREW 3/16-28 L=15.5		*		1
29	NS6680320SP	NUT 9/32-28				1
30	22536502	TIMING GAUGE E				1
31	SS7111410TP	SCREW 11/64-40 L=14				1
32	22540108	PRESSING PLATE				1

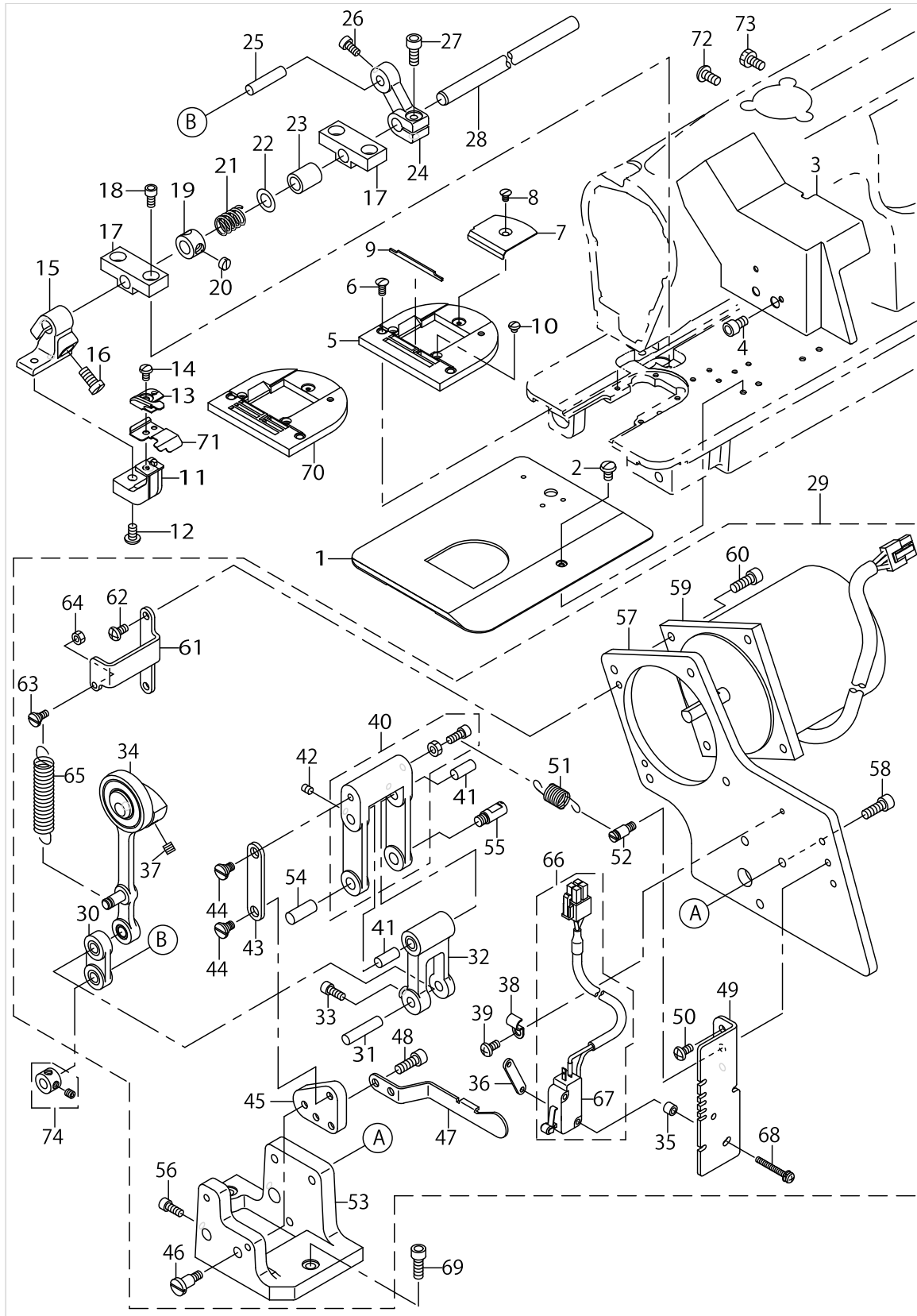
EXCLUSIVE PARTS FOR LZ-2282N(-7) (1)



EXCLUSIVE PARTS FOR LZ-2282N(-7) (1)

No.	Parts No.	Parts name	Remarks	Level	Cons	Qty
1	23509003	BED PLATE				1
2	SS5110740TP	SCREW 11/64-40 L= 6.5				1
3	23508906	KNIFE DRIVING DEVICE COVER				1
4	SM6050802TN	BOLT				2
5	23505829	THROAT PLATE				1
6	SS2090840SP	SCREW				2
7	23513401	THROAT PLATE COVER				1
8	SS1080510SP	SCREW 1/8-44 L=5				1
9	23506108	THROAT PLATE KNIFE				1
10	SS4080320TP	SCREW 1/8-44 L=3.4				2
11	23506314	KNIFE BASE				1
12	SS4110815SP	SCREW 11/64-40 L=8				2
13	23506009	CLOTH CUTTING KNIFE				1
14	SS5090610SP	SCREW 9/64-40 L=6				1
15	23506405	KNIFE BASE ARM				1
16	SS6122030SP	SCREW 3/16-28 L=20				1
17	23506603	KNIFE DRIVING SHAFT BASE				2
18	SM6040802TP	SCREW M4X0.7 L=8				4
19	CS0800911TH	THRUST COLLAR				1
20	SS8660340SP	SCREW 1/4-40 L= 2.5				1
21	23506702	KNIFE PRESS SPRING				1
22	WP0820526SD	WASHER 8.2X14X0.5				1
23	16965105	METAL				1
24	23506801	KNIFE DRIVING ARM				1
25	10565406	GEAR SHAFT				1
26	SM6040802TP	SCREW M4X0.7 L=8				1
27	SM6051202TP	SCREW M5X0.8 L=12				1
28	23506504	KNIFE DRIVING SHAFT				1
29	23508252	KNIFE DRIVING DEVICE ASM.				1
30	23507056	CONNECTING LINK A ASM.		*		1
31	10565406	GEAR SHAFT		*		1
32	23507155	CONNECTING LINK B ASM.		*		1
33	SM6041002TP	SCREW M4 L=10		*		1
34	23507262	KNIFE DRIVING ROT ASM.		*		1
35	B4011210000	SPACER		*		2
36	11102308	MICRO SWITCH PLATE		*		1
37	SM8050812TP	SCREW M5X8		*		2
38	B3538112000	OIL RETURN TUBE HOLDER		*		1
39	SM4030411SB	SCREW M3X0.5 L=4		*		1
40	23507551	KNIFE ADJUSTING LINK ASM.		*		1
41	11387503	LEVER ARM PIN		*		2
42	SM8040502TP	SCREW M4X0.7 L=5		*		2
43	23507700	ADJUSTING CONNECTING PLATE		*		1
44	SD0640231SP	HINGE SCREW D= 6.35 H= 2.3		*		2
45	23507809	LEVER BASE		*		1
46	SD0640851SP	STEP-SCREW		*		1
47	23507908	KNIFE ADJUSTING LEVER		*		1

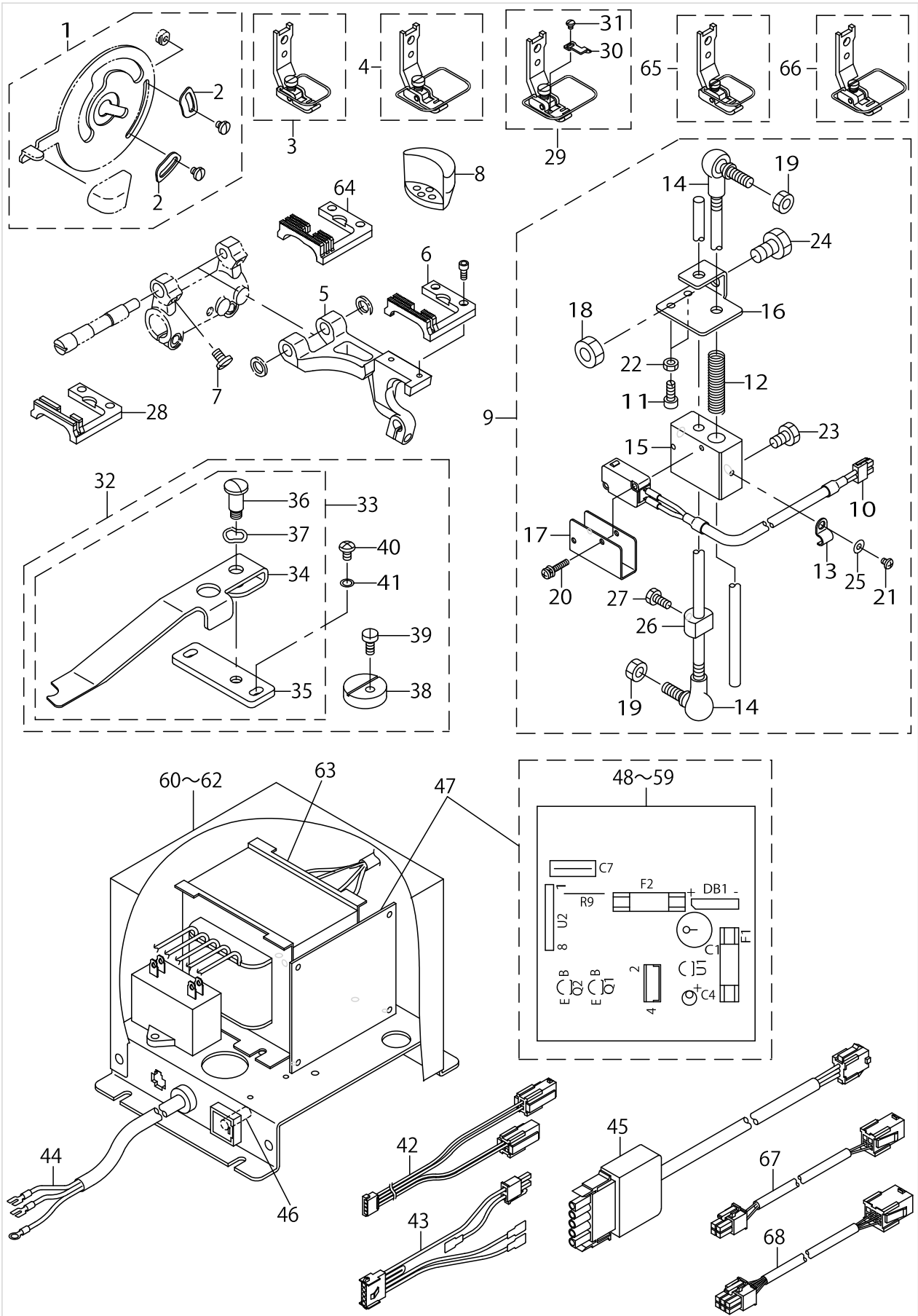
EXCLUSIVE PARTS FOR LZ-2282N(-7) (1)



EXCLUSIVE PARTS FOR LZ-2282N(-7) (1)

No.	Parts No.	Parts name	Remarks	Level	Cons	Qty
48	SS4110815SP	SCREW 11/64-40 L=8		*		2
49	23508005	LEVER SCALE PLATE		*		1
50	SM4040855SP	SCREW		*		2
51	23508104	ADJUSTING LINK SPRING		*		1
52	40023289	SPRING SUSPENSION		*		1
53	23508203	KNIFE ADJUSTING BASE		*		1
54	11384302	PIN B		*		1
55	11008802	ADJUSTING LINK FULCRUM SHAFT A		*		1
56	SM6041002TP	SCREW M4 L=10		*		2
57	23508302	MOTOR SUPPORT PLATE		*		1
58	SM6051402TP	SCREW M5X0.8 L=14		*		3
59	23508450	AC MOTOR ASM.		*		1
60	SM6051402TP	SCREW M5X0.8 L=14		*		4
61	23508500	STOP SPRING RACK		*		1
62	SM4040855SP	SCREW		*		2
63	SD0500251SP	HINGE SCREW D= 5 H= 2.5		*		1
64	NS6090310SP	NUT 9/64-40		*		1
65	23508609	STOP SPRING		*		1
66	23508757	MOTOR SWITCH ASM.		*		1
67	HA00044000A	SWITCH		*		1
68	SL4032591SC	SCREW M3X25		*		2
69	SM6051402TP	SCREW M5X0.8 L=14				1
70	23512817	THROAT PLATE	FOR USE IN JAPAN			1
71	23513302	CLOTH WASTE COVER				1
72	SS4121015SP	SCREW 3/16-28 L=10				1
73	SS9120910TP	SCREW 3/16-28 L=9				1
74	B25792290A0	THRUST BEARING				1

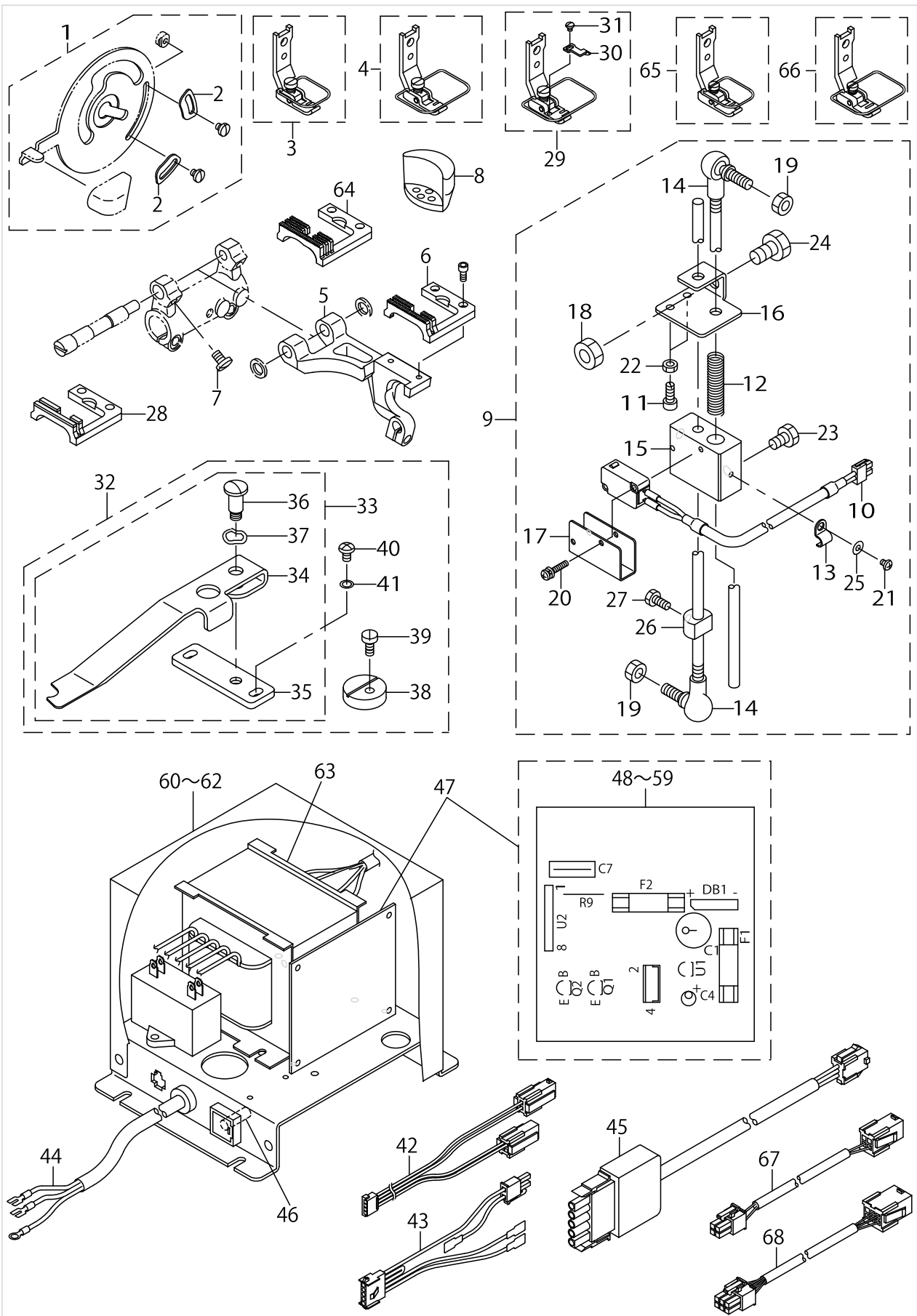
EXCLUSIVE PARTS FOR LZ-2282N(-7) (2)



EXCLUSIVE PARTS FOR LZ-2282N(-7) (2)

No.	Parts No.	Parts name	Remarks	Level	Cons	Qty
1	23505654	POSITION CHANGE LEVER ASM.				1
2	23505605	NEEDLE POSITION STOPPER		*		2
3	23509169	PRESSER ASM.	OPTIONAL PARTS (ACCESSORIES P- ARTS FOR JE)			1
4	23509466	PRESSER ASM.				1
5	40057280	FEED BASE ASM.				1
6	23505910	FEED DOG	OPTIONAL PARTS (ACCESSORIES P- ARTS FOR JE)			1
7	SS7120710SP	SCREW 3/16-28 L=7				2
8	23509706	HEAD SUPPORT RUBBER				2
9	23510050	STARTING SWITCH ASM.				1
10	23510159	SWITCH ASM.		*		1
11	B3208280000	BOBBIN WINDER ADJUSTING SCREW		*		2
12	23510308	SWITCH SPRING		*		1
13	B3538112000	OIL RETURN TUBE HOLDER		*		1
14	D7117555BA0	JOINT BAR A ASM.		*		2
15	23510407	SWITCH BASE		*		1
16	23510506	SWITCH PLATE		*		1
17	MAO11602N00	MICRO-SWITCH COVER		*		1
18	NM6080721SE	NUT M8		*		1
19	NM6060001SE	NUT M6		*		2
20	SL4031691SC	SCREW M3 L=16		*		2
21	SM4030411SB	SCREW M3X0.5 L=4		*		1
22	NS6110360SP	NUT		*		2
23	SM9061003SC	SCREW M6X10		*		1
24	SM9081423SE	SCREW M8 L=14		*		1
25	WP0330501SB	WASHER M3		*		1
26	26308809	STOPPER		*		1
27	SS9111013SP	SCREW 11/64-40 L=9.5		*		1
28	23512015	FEED DOG	FOR JE			1
29	23512569	PRESSER ASM.	FOR JE			1
30	23512601	LACE GUIDE		*		1
31	SS4060310SP	SCREW 3/32-56 L=2.5		*		1
32	23512163	SEPARATION PLATE ASM.	OPTIONAL PARTS (ACCESSORIES P- ARTS FOR JE)			1
33	23512155	SEPARATION PLATE COMPL.		*		1
34	23512106	SEPARATION PLAT		*		1
35	23512205	SEPARATION PLAT BASE		*		1
36	SD0791331SP	HINGE SCREW D= 7.94 H=13.3		*		1
37	WZ0850302K0	WAVED WASHER 8.5X12.5X0.3		*		1
38	23512304	SEPARATION STOPPER		*		1
39	SS9111010SP	SCREW 11/64-40 L=9.5		*		1
40	SS4110715SP	SCREW 11/64-40 L=7		*		1
41	WP0510516SD	WASHER 5.1X7.5X0.5		*		1
42	M8504429AA0A	CORD A ASM.				1
43	M8502429AA0	CORD A ASM.				1
44	M8503429AA0	CORD A ASM.				1

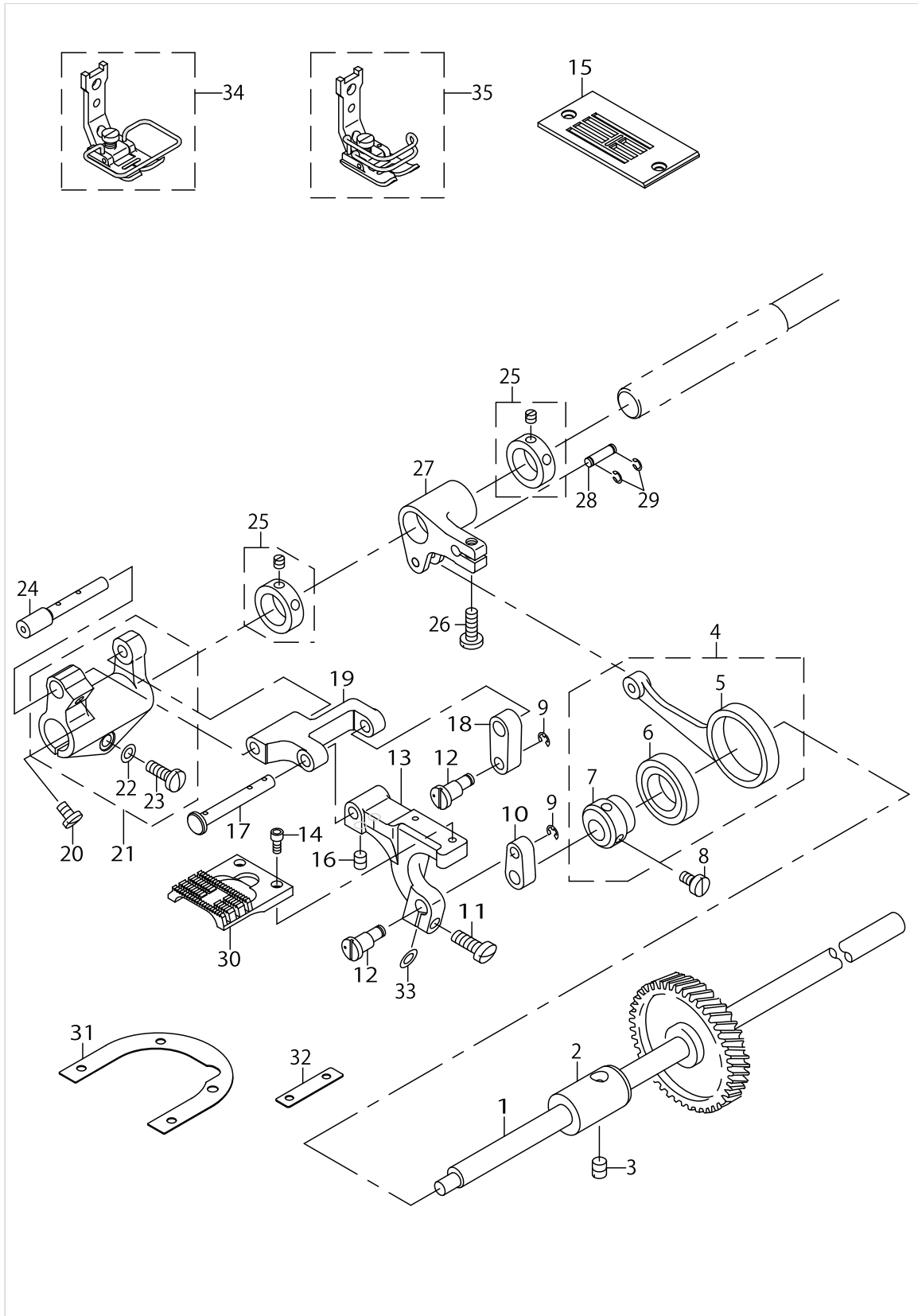
EXCLUSIVE PARTS FOR LZ-2282N(-7) (2)



EXCLUSIVE PARTS FOR LZ-2282N(-7) (2)

No.	Parts No.	Parts name	Remarks	Level	Cons	Qty
45	M8505429AA0	CORD A ASM.				1
46	HF0078016P0	FUSE 250VT 1.6A				1
47	M8601429AA0A	CONTROL BASE A ASM.				1
48	HL017120000	PHOTO COUPLER		*		1
49	HG005640000	DIODE BRIGDE (S1VB20)		*		1
50	HL003880000	VOLTAGE REGULATOR (UPC78L05A)		*		1
51	HT002310000	TRANSISTOR 2SC1815		*		2
52	HR022301010	FIXED RESISTANCE		*		1
53	HC018201020	ALUMINUM ELECTROLYSIS		*		1
54	HC018204700	CAPACITOR 47 25V		*		1
55	HC055711040	CAPACITOR		*		1
56	HC036413320	CONDENSER		*		1
57	HF0041050S0	FUSE 0.5A		*		1
58	HF0041020P0	FUSE 2A		*		1
59	HK01650004A	CONNECTOR 4P		*		1
60	M2001429BA0	PSC BOX B ASM.	FOR 200V,3-PHASE			1
61	M2001429CA0	PSC BOX C ASM.	FOR 230V,3-PHASE			1
62	M2001429AA0	PSC BOX A ASM.	FOR 100V,1-PHASE			1
63	M8501429AA0	POWER SOURCE TRANSFORMER ASM.				1
64	23512908	FEED DOG	FOR USE IN JAPAN			1
65	23513062	PRESSER ASM.	FOR USE IN JAPAN			1
66	23513161	PRESSER ASM.	FOR USE IN JAPAN			1
67	40097876	SWITCH JOIN CORD B ASSY				1
68	40097877	MOTOR JOIN CORD B ASSY				1

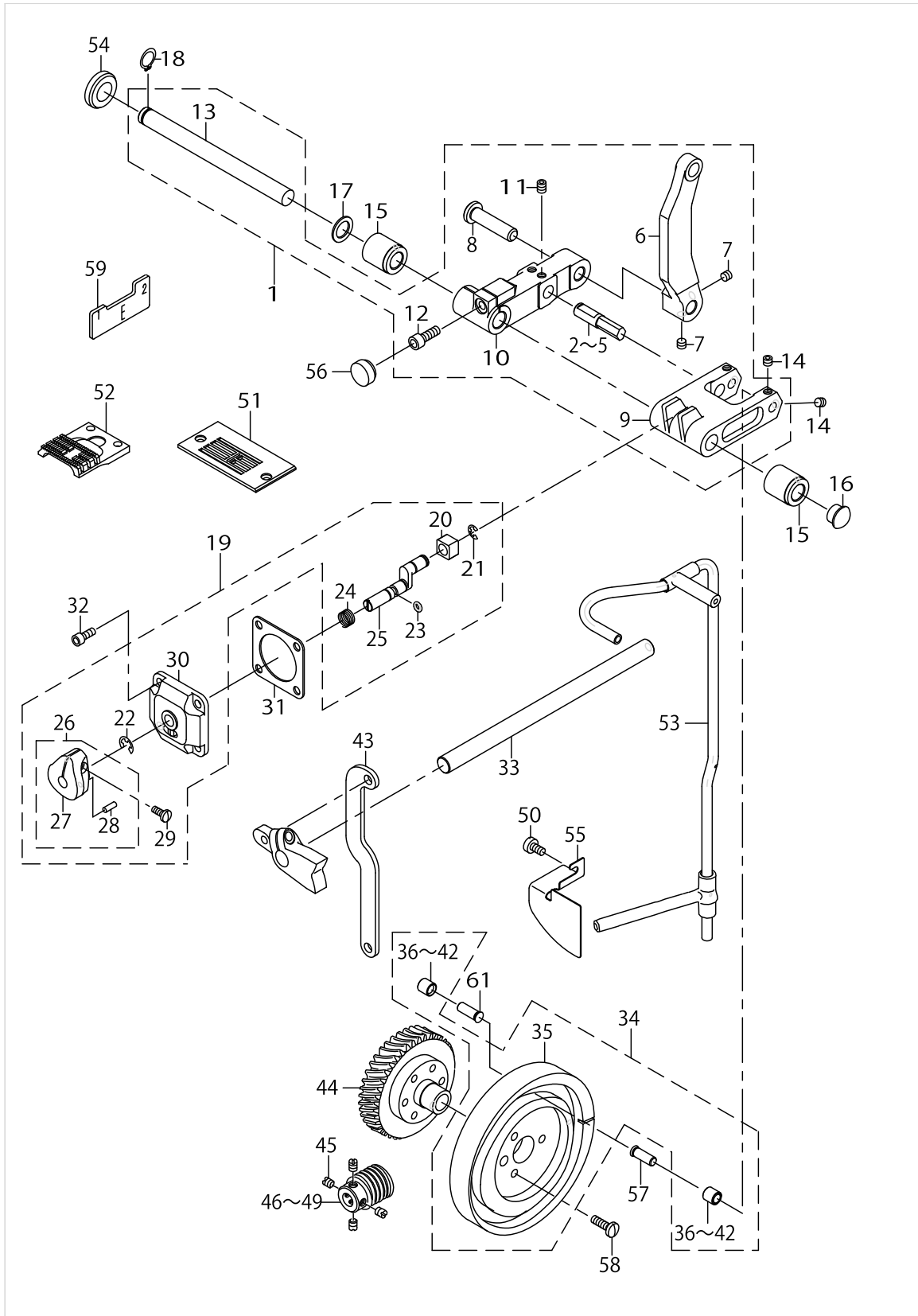
EXCLUSIVE PARTS FOR LZ-2284NU(-7)



EXCLUSIVE PARTS FOR LZ-2284NU(-7)

No.	Parts No.	Parts name	Remarks	Level	Cons	Qty
1	23502008	HOCK DRIVING SHAFT				1
2	23502107	BUSING FRONT				1
3	SS8150710SP	SCREW 15/64-28 L=7				1
4	23501356	VERTICAL FEED CAM ASM.				1
5	23501406	VERTICAL FEED ROD		*		1
6	SB117000100	BEARING		*		1
7	23501307	VERTICAL FEED CAM		*		1
8	SS6110820TP	SCREW 11/64-40 L=8				2
9	RE0300000K0	E-RING 3				2
10	22520001	LINK				1
11	SS7121410TP	SCREW 3/16-28 L=14				1
12	26303107	LINK SHAFT				2
13	23501901	FEED BASE				1
14	SS6580752TP	SCREW 1/8-40 L=7				2
15	22582407	NEEDLE PLATE				1
16	SM8050612TP	SCREW M5X6				2
17	23501802	FEED BAR SHAFT B				1
18	23501703	LINK B				1
19	23501604	FEED BASE LINK				1
20	SS7110740TP	SCREW 11/64-40 L=7				1
21	22913156	FEED ROCKER ASM.				1
22	WP0480856SP	WASHER 4.8X8.4X0.8		*		1
23	SS7121410TP	SCREW 3/16-28 L=14		*		1
24	22913206	FEED BAR SHAFT				1
25	CS1470710SH	THRUST COLLAR ASM. D=14.72 W=7				2
26	SS7121410TP	SCREW 3/16-28 L=14				1
27	23501513	VERTICAL FEED ARM				1
28	11214806	PIN				1
29	RC0330415KP	SNAP RING				2
30	22581508	FEED DOG				1
31	22503908	SPACER				1
32	10025906	SPACER				1
33	WP0500916SD	WASHER 5X7X0.9				1
34	23503154	PRESSER ASM.	VARIOUS NOS. FOR DESTINATIONS			1
35	23503162	PRESSER ASM.	VARIOUS NOS. FOR DESTINATIONS			1

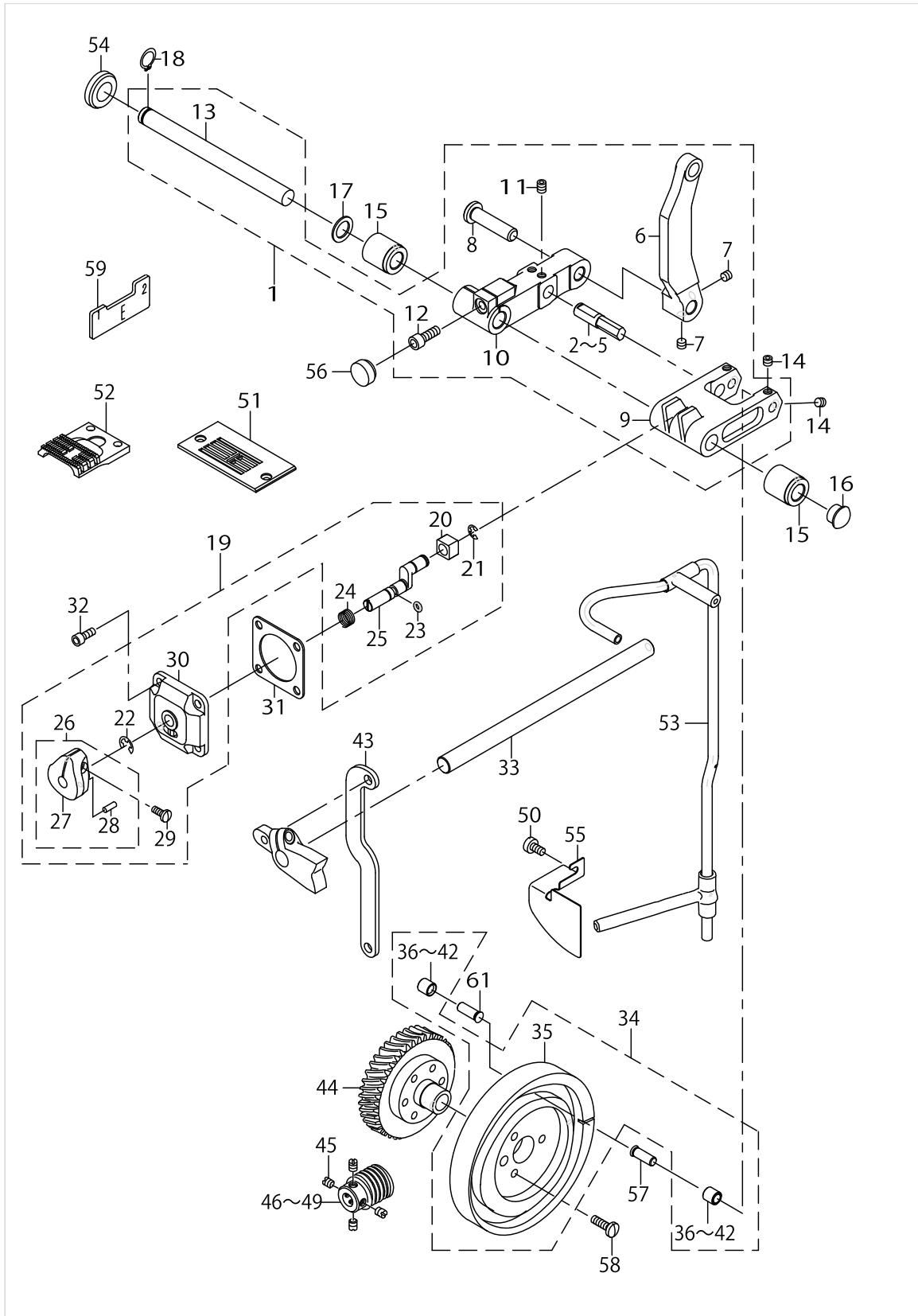
EXCLUSIVE PARTS FOR LZ-2284N(-7),LZ-2284C-7 (1)



EXCLUSIVE PARTS FOR LZ-2284N(-7),LZ-2284C-7 (1)

No.	Parts No.	Parts name	Remarks	Level	Cons	Qty
1	26312751	NEEDLE DRIVING ARM ASM.				1
2	26313007	DIA PIN A	SELECTIVE PARTS	*		1
3	26313106	DIA PIN B	SELECTIVE PARTS	*		1
4	26313205	DIA PIN C	SELECTIVE PARTS	*		1
5	26313304	DIA PIN D	SELECTIVE PARTS	*		1
6	26313502	NEEDLE DRIVING ROD		*		1
7	SM8050412TP	SCREW M5 L=4		*		2
8	26313403	NEEDLE DRIVING PIN A		*		1
9	26312900	NEEDLE CAM ARM		*		1
10	26312702	DRIVING ARM		*		1
11	SM8050612TP	SCREW M5X6		*		2
12	SM6051402TP	SCREW M5X0.8 L=14		*		1
13	26312801	NEEDLE DRIVING SHAFT		*		1
14	SM8050412TP	SCREW M5 L=4				4
15	12308300	METAL FRONT				2
16	TA1100604R0	PLUG				1
17	B1637560000	WASHER				1
18	RC0100001KP	SNAP RING M10				1
19	40078331	CHANGE OVER BASIS ASM.				1
20	40078335	CHANGE OVER BLOCK		*		1
21	RE0400000K0	E-RING 4		*		1
22	RE0400000K0	E-RING 4		*		1
23	RO029180100	RUBBER RING		*		1
24	26314104	SPRING		*		1
25	40078336	CHANGE OVER SLIDE SHAFT		*		1
26	40078333	CHANGE OVER LEVER ASM.		*		1
27	40078334	CHANGE OVER LEVER		*		1
28	PH0300085S0	PIN		*		1
29	SS7090910TP	SCREW 9/64-40 L= 8.5		*		1
30	40078332	CHANGE OVER BASIS		*		1
31	22501704	GASKET				1
32	SS6111052TP	SCREW				4
33	26312405	FEED LEVER SHAFT				1
34	40083221	NEEDLE CAM ASM.				1
35	23518822	NEEDLE CAM		*		1
36	40064313	NEEDLE CAM ROLLER A	SELECTIVE PARTS	*		2
37	40064314	NEEDLE CAM ROLLER B	SELECTIVE PARTS	*		2
38	40064315	NEEDLE CAM ROLLER C	SELECTIVE PARTS	*		2
39	40064316	NEEDLE CAM ROLLER D	SELECTIVE PARTS	*		2
40	40064317	NEEDLE CAM ROLLER E	SELECTIVE PARTS	*		2
41	40064319	NEEDLE CAM ROLLER F	SELECTIVE PARTS	*		2
42	40064320	NEEDLE CAM ROLLER G	SELECTIVE PARTS	*		2
43	26314401	FEED CHANGE LINK A				1
44	22585657	WORM WHEEL COMPL.				1
45	SS8660610TP	SCREW 1/4-40 L=6				4
46	22527006	WORM A				1
47	22527105	WORM B				1

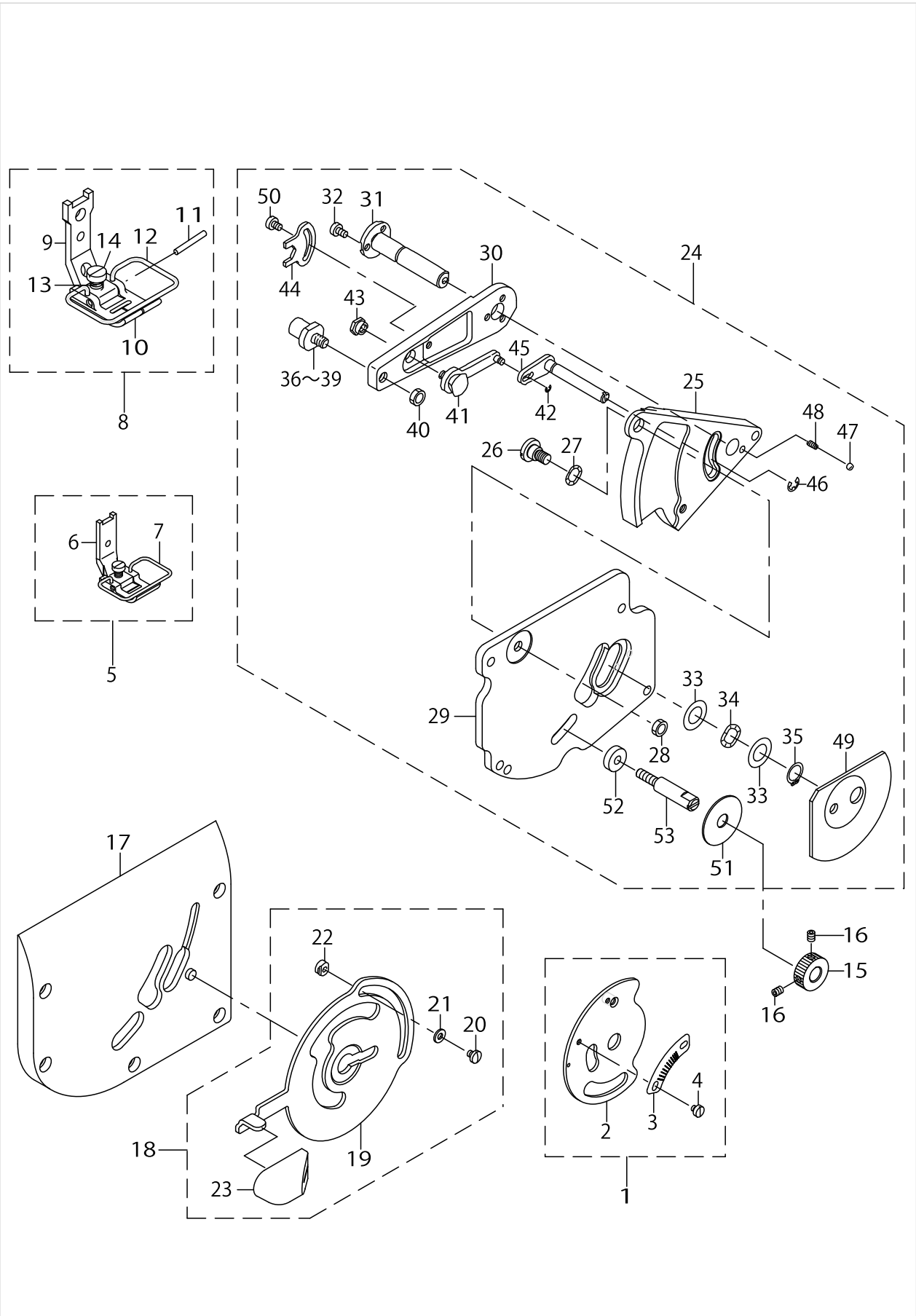
EXCLUSIVE PARTS FOR LZ-2284N(-7),LZ-2284C-7 (1)



EXCLUSIVE PARTS FOR LZ-2284N(-7),LZ-2284C-7 (1)

No.	Parts No.	Parts name	Remarks	Level	Cons	Qty
48	22527204	WORM C				1
49	22527303	WORM D				1
50	SS6110810TP	SCREW 11/64-40 L=8				1
51	22582407	NEEDLE PLATE				1
52	22581508	FEED DOG				1
53	40073481	OIL SUPPY PIPE ASM.				1
54	TA2200502R0	RUBBER PLUG				1
55	23519804	OIL SHIELD				1
56	TA1470702R0	RUBBER PLUG				1
57	26313700	NEEDLE CAM ROLLER SHAFT				2
58	SS7111410TP	SCREW 11/64-40 L=14				3
59	22536502	TIMING GAUGE E				1

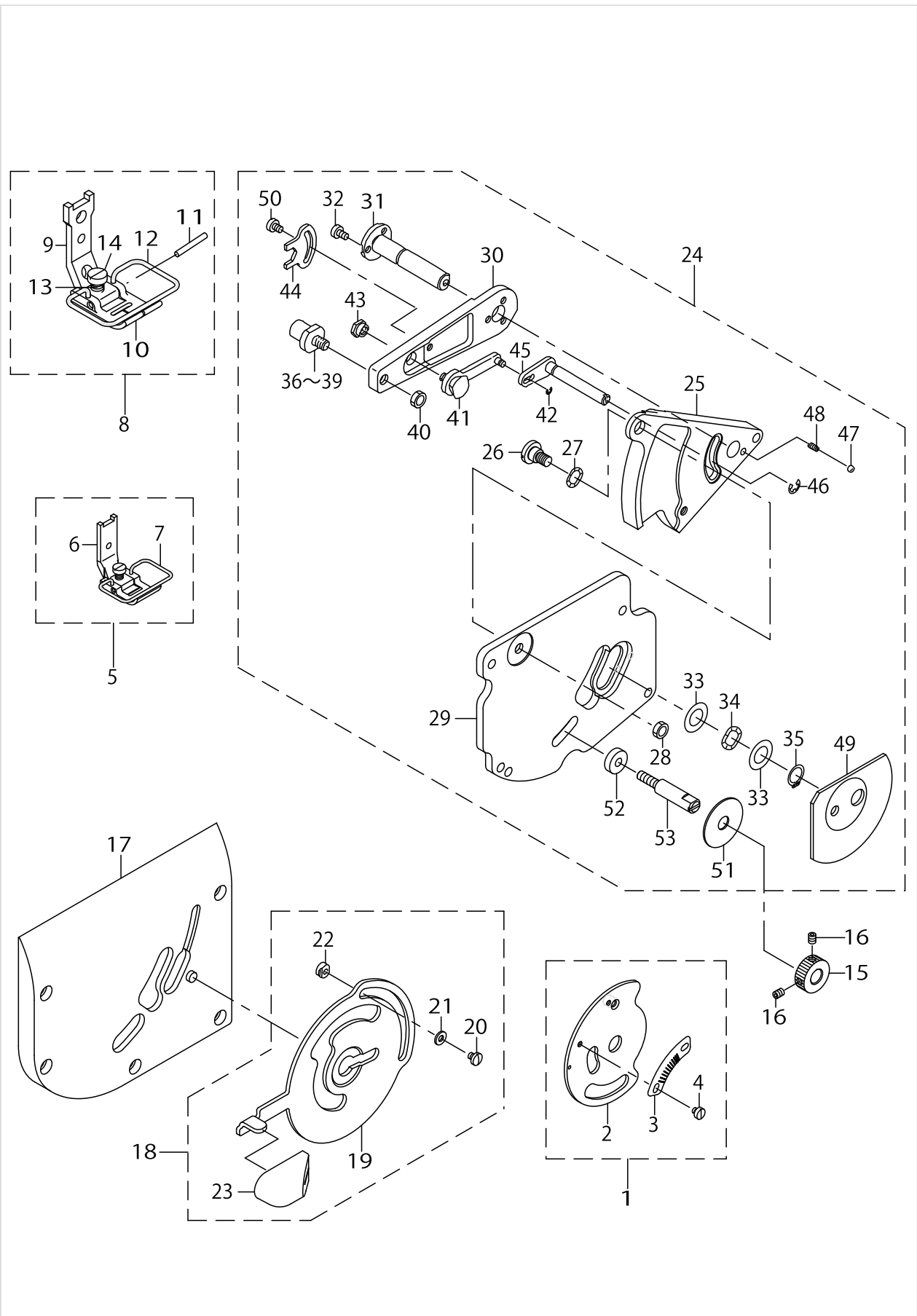
EXCLUSIVE PARTS FOR LZ-2284N(-7),LZ-2284C-7 (2)



EXCLUSIVE PARTS FOR LZ-2284N(-7),LZ-2284C-7 (2)

No.	Parts No.	Parts name	Remarks	Level	Cons	Qty
1	23521263	SWING WIDE GRADUATION ASM.				1
2	23521255	FITTING PLATE COMPL.		*		1
3	22586226	SWING WIDE GRADUATION		*		1
4	SS6080320SP	SCREW 1/8-44 L= 2.5		*		2
5	22580864	PRESSER ASM.				1
6	10055051	PRESSER FOOT ASM.		*		1
7	22580302	SAFETY COVER		*		1
8	22584965	PRESSER FOOT ASM.				1
9	22545206	PRESSER FOOT (UPPER)		*		1
10	22584908	PRESSER FOOT (LOWER)		*		1
11	10021103	PRESSER PIN		*		1
12	22545404	SAFETY COVER		*		1
13	B1525582000	SPRING		*		1
14	SS6090810SP	SCREW 9/64-40 L= 7.5		*		1
15	23521404	ADJUSTING PICK-UP				1
16	SM8040502TP	SCREW M4X0.7 L=5				2
17	22568356	SIDE COVER ASM.				1
18	22573257	CHANGING LEVER ASM.				1
19	22573208	NEEDLE POSITION CHANGE LEVER		*		1
20	SS7090410SP	SCREW 9/64-40 L= 3.5		*		2
21	WP0371016SD	WASHER 3.7X8X1		*		2
22	10015907	LEVER STOPPER		*		2
23	22512602	KNOB		*		1
24	23521057	CHANGE BASE ASM.				1
25	26319004	NEEDLE POSITION CHANGE BASE		*		1
26	SD0800402TP	HINGE SCREW D= 8 H= 4		*		1
27	WZ0850302K0	WAVED WASHER 8.5X12.5X0.3		*		3
28	NS6150310SP	NUT 15/64-28		*		1
29	23521107	CHANGE BASE FITTING PLATE		*		1
30	26301507	ARM		*		1
31	26307306	SHAFT		*		1
32	SS6090620SP	SCREW 9/64-40 L=6		*		3
33	WP1020616SD	WASHER		*		2
34	WZ1052010KP	WAVED WASHER		*		1
35	RC0100001KP	SNAP RING M10		*		1
36	10016517	SHAFT	SELECTIVE PARTS	*		1
37	10016210	SHAFT	SELECTIVE PARTS	*		1
38	10016319	SHAFT	SELECTIVE PARTS	*		1
39	10016418	SHAFT	SELECTIVE PARTS	*		1
40	NS6150310SP	NUT 15/64-28		*		1
41	10017168	STOPPER ASM.		*		1
42	RE0200000K0	E-RING		*		1
43	10018000	NUT		*		1
44	10018109	NUT STOPPER		*		1
45	10015360	LEVER ASM.		*		1
46	RE0400000K0	E-RING 4		*		1
47	B2608761000	HAND STOP CRANK SHAFT BALL		*		1

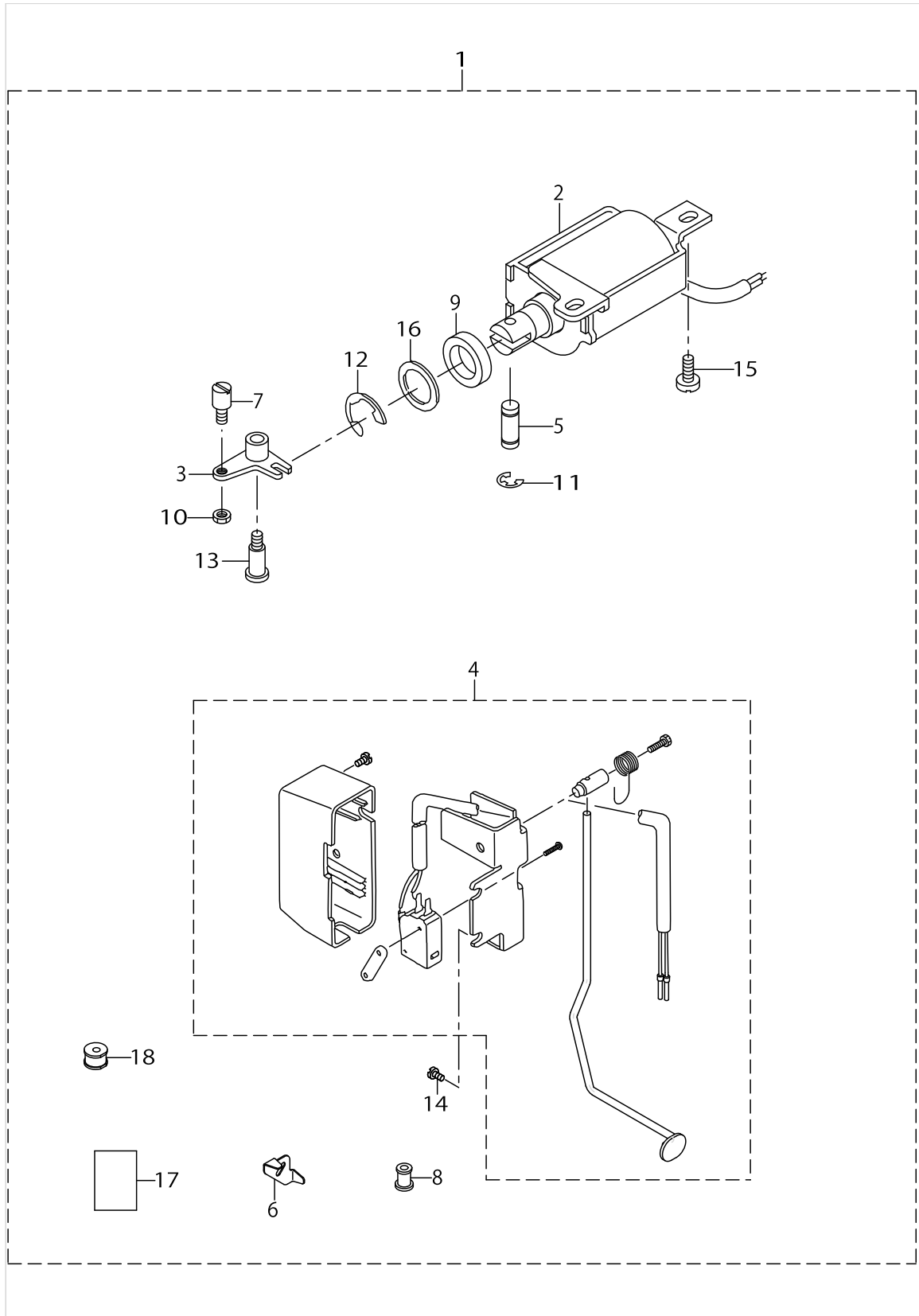
EXCLUSIVE PARTS FOR LZ-2284N(-7),LZ-2284C-7 (2)



EXCLUSIVE PARTS FOR LZ-2284N(-7),LZ-2284C-7 (2)

No.	Parts No.	Parts name	Remarks	Level	Cons	Qty
48	10017408	SPRING		*		1
49	10017606	OIL SHIELD		*		1
50	SS6090520SP	SCREW 9/64-40 L= 5.0		*		1
51	22573505	PACKING		*		1
52	B1430761000	ROLLER		*		1
53	23521305	ADJUSTING PICK-UP SCREW		*		1

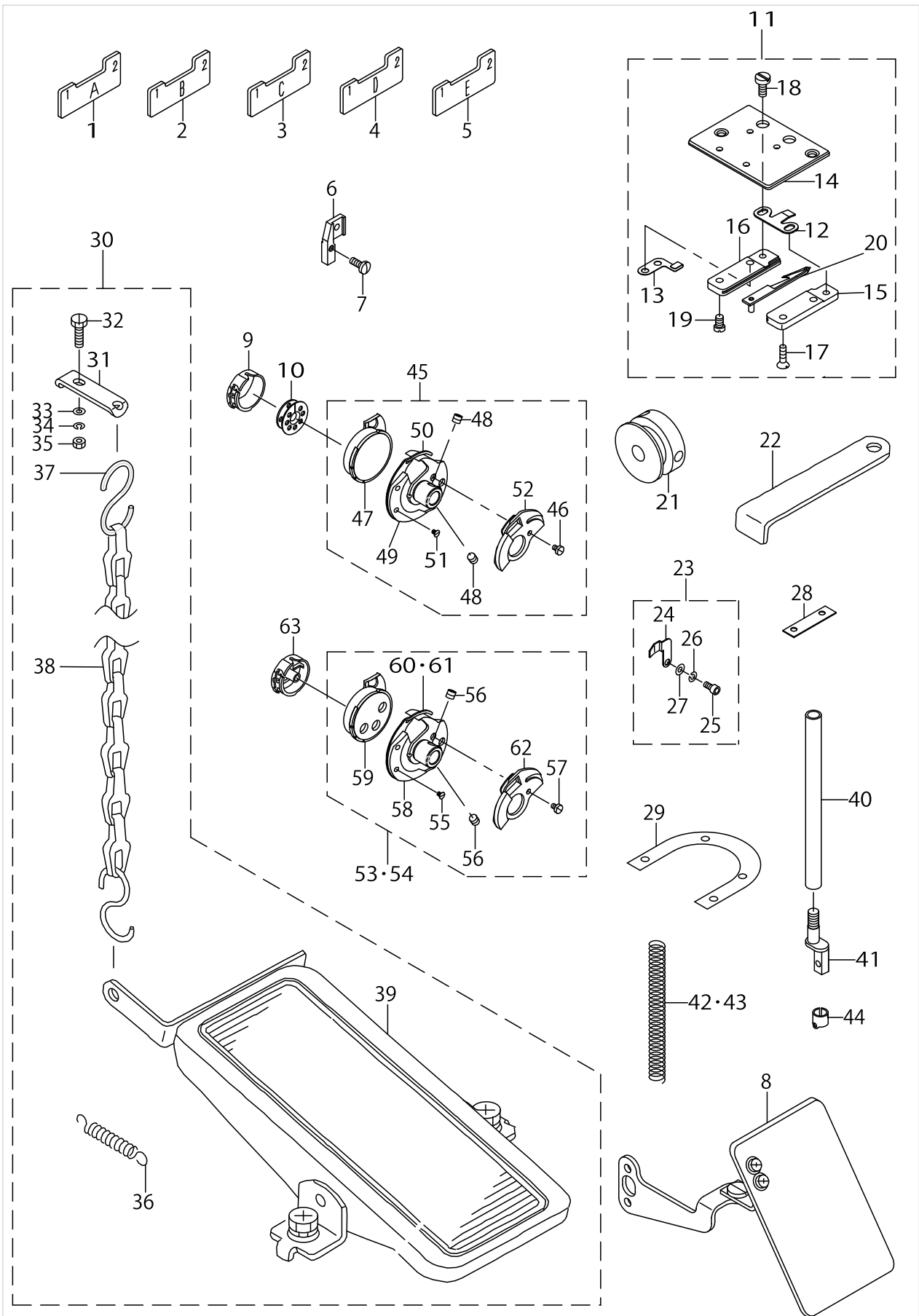
SPECIAL ORDER PARTS (1)



SPECIAL ORDER PARTS (1)

No.	Parts No.	Parts name	Remarks	Level	Cons	Qty
1	22561559	AUTOMATIC BACK MACHINE				1
2	40108060	REVERSE FEED SOLENOID ASM.		*		1
3	22544159	REVERSE FEED MAGNET LINK		*		1
4	22559850	REVERSE FEED SWITCH		*		1
5	11101003	PLUNGER ARM PIN		*		1
6	11102605	CORD HOLDER		*		1
7	B1213372000	SCREW		*		1
8	D2467555B00	RUBBER PLUG		*		2
9	D2468555B00	RUBBER PLUNGER		*		1
10	NS6150310SP	NUT 15/64-28		*		1
11	RE0400000K0	E-RING 4		*		2
12	RE1200000K0	E-RING 12		*		1
13	SD0791503SP	HINGE SCREW D=7.94 H=15		*		1
14	SS4120615SP	SCREW 3/16-28 L=6		*		2
15	SS4150915SP	SCREW 15/64-28 L=9		*		2
16	WP1602616SZ	WASHER 16X24X2.6		*		1
17	29141900	INSTRUCTION MANUAL		*		1
18	11030202	RUBBER BUSHING		*		1

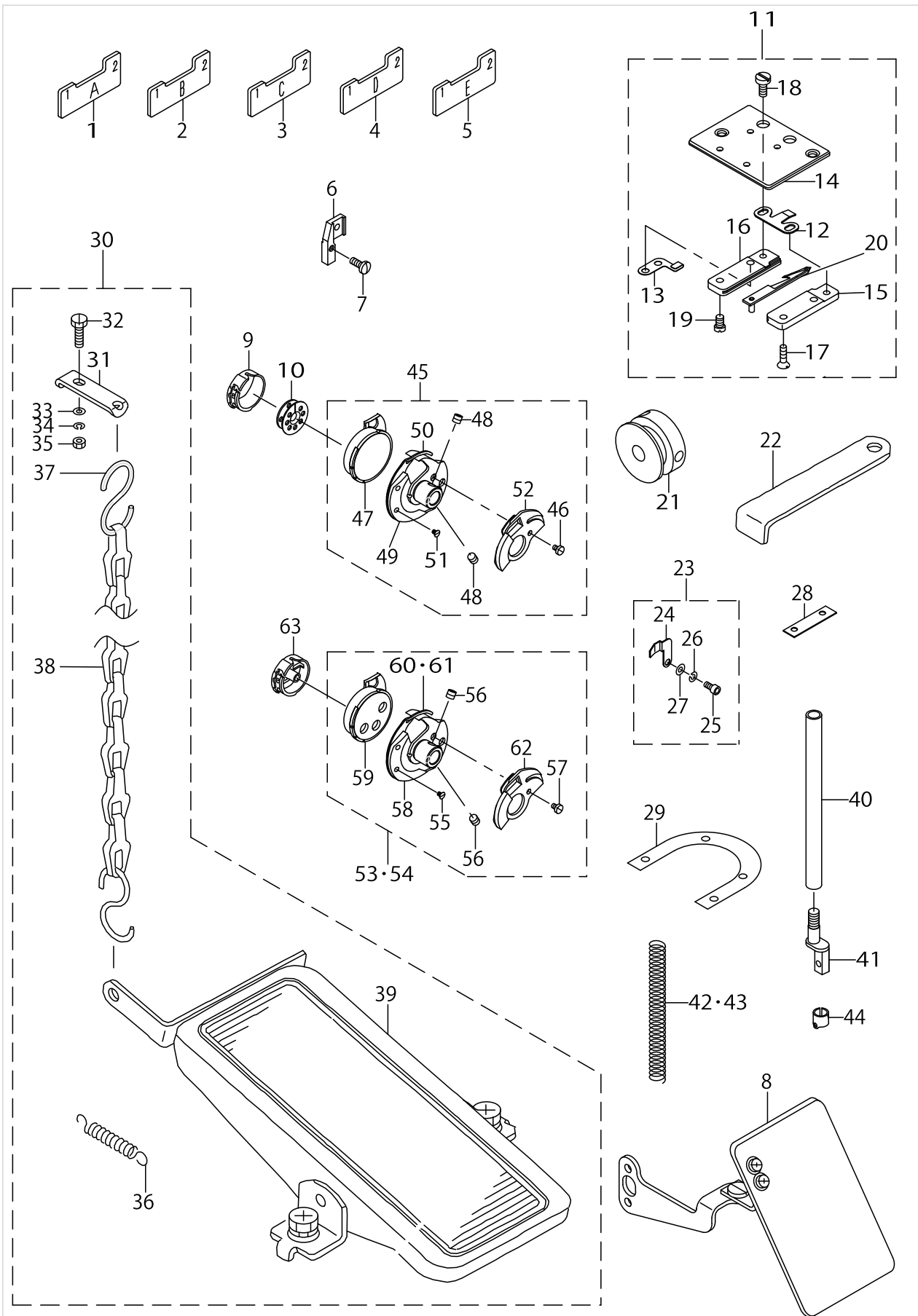
SPECIAL ORDER PARTS (2)



SPECIAL ORDER PARTS (2)

No.	Parts No.	Parts name	Remarks	Level	Cons	Qty
1	22535801	TIMING GAUGE				1
2	22586705	TIMING GAUGE				1
3	22535900	TIMING GAUGE RIGHT				1
4	22536403	TIMING GAUG D				1
5	22536502	TIMING GAUGE E				1
6	B1551586000	PRESSER FOOT JOINT				1
7	SS7090910SP	SCREW 9/64-40 L= 8.5				1
8	22503353	SAFETY PLATE ASM.				1
9	23522550	NOT TURN BOBBIN CASE ASM.				1
10	23523004	NOT TURN BOBBIN				1
11	22556054	KNIFE UNIT				1
12	22556302	FIXED KNIFE		*		1
13	22556450	CLAMP PLATE ASM.		*		1
14	22556609	SLIDING PLATE		*		1
15	22556708	DRIVING BASE		*		1
16	22556807	DRIVING BASE		*		1
17	SS1090510SP	SCREW 9/64-40 L=5		*		2
18	SS6090420SP	SCREW 9/64-40 L= 4.0		*		2
19	SS7090710SP	SCREW 9/64-40 L= 6.8		*		2
20	22556153	DRIVING KNIFE ASM.		*		1
21	22555403	THREAD CUTTING CAM				1
22	B9101490000	DRIVER				1
23	22525455	NEEDLE HOLDER ASM.				1
24	22525406	NEEDLE GUARD		*		1
25	SM6030602TP	SCREW M3X0.5 L=6		*		1
26	WS0310702KS	SPRING WASHER		*		1
27	WP0320500SC	WASHER M3		*		2
28	10025906	SPACER				1
29	22503908	SPACER				1
30	GRF010000B0	RF-1 BACK STITCH DEVICE ASM.				1
31	GRF01001000	PLATE		*		1
32	SS9111510SP	SCREW 11/64-40 L=15		*		1
33	WP0501016SD	WASHER 5X10.5X1		*		1
34	WS0441040KP	SPRING WASHER 4.4X7.4X1		*		1
35	NS6110420SP	NUT 11/64-40		*		1
36	MAT80117S00	SPRING		*		1
37	B8133019000	S SHAPED HOOK		*		2
38	B8131019000	CHAIN		*		1
39	11960853	PEDAL ASM.		*		1
40	D1501583H00	PRESSER BAR				1
41	D1502583H00	PRESSER BAR				1
42	B150522700A	PRESSER SPRING¥n				1
43	11162104	PRESSER SPRING¥n				1
44	22507701	THRED RACK RIGHT				1
45	23523152	NOT TURN BOBBIN HOOK COMPL. V				1
46	10033108	HOOK COUNTER BALANCE SCREW		*		1
47	22526008	INNER HOOK V		*		1

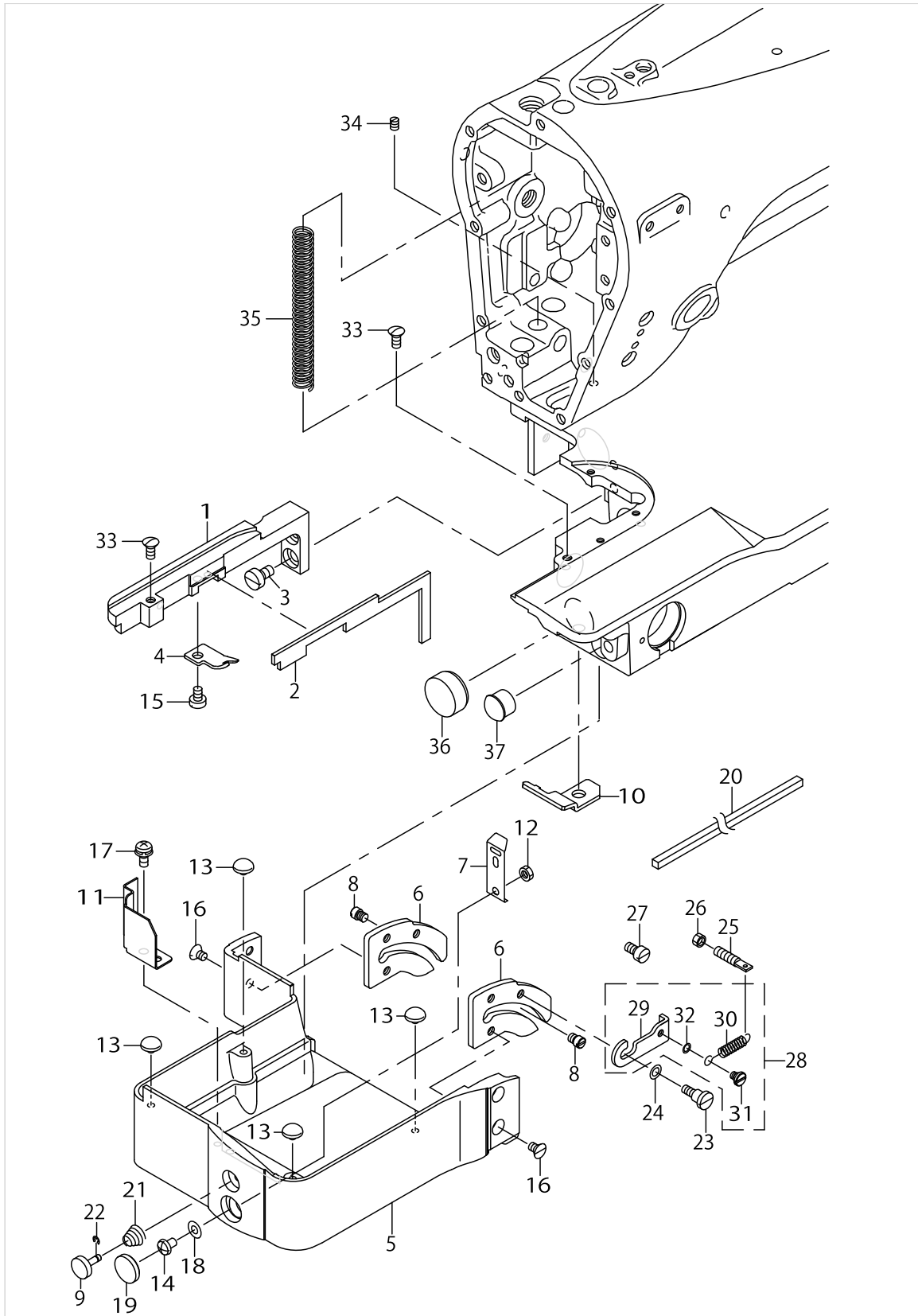
SPECIAL ORDER PARTS (2)



SPECIAL ORDER PARTS (2)

No.	Parts No.	Parts name	Remarks	Level	Cons	Qty
48	SS8110422TP	SCREW 11/64-40 L=4		*		2
49	22525919	OUTER HOOK V		*		1
50	23503501	INNER HOOK PRESSER V-S		*		1
51	10033009	HOOK GIB SCREW		*		2
52	23523202	NOT TURN BOBBIN INNER HOOK V		*		1
53	23503659	HOOK COMPL. S	FOR INNER HOOK S			1
54	23502958	HOOK CONNECTION K	FOR INNER HOOK K			1
55	23504103	INNER HOOK PRESSER SETSCREW S		*		3
56	23504301	OUTER HOOK SETSCREW S		*		2
57	23504400	HOOK COUNTER BALANCE SCREW S		*		1
58	23503709	OUTER HOOK S		*		1
59	23503808	INNER HOOK S		*		1
60	23503907	INNER HOOK PRESSER S	FOR INNER HOOK S	*		1
61	23503006	INNER HOOK PRESSER K	FOR INNER HOOK K	*		1
62	23504004	BACK PLATE S		*		1
63	23504657	BOBBIN CASE WITH SPRING				1

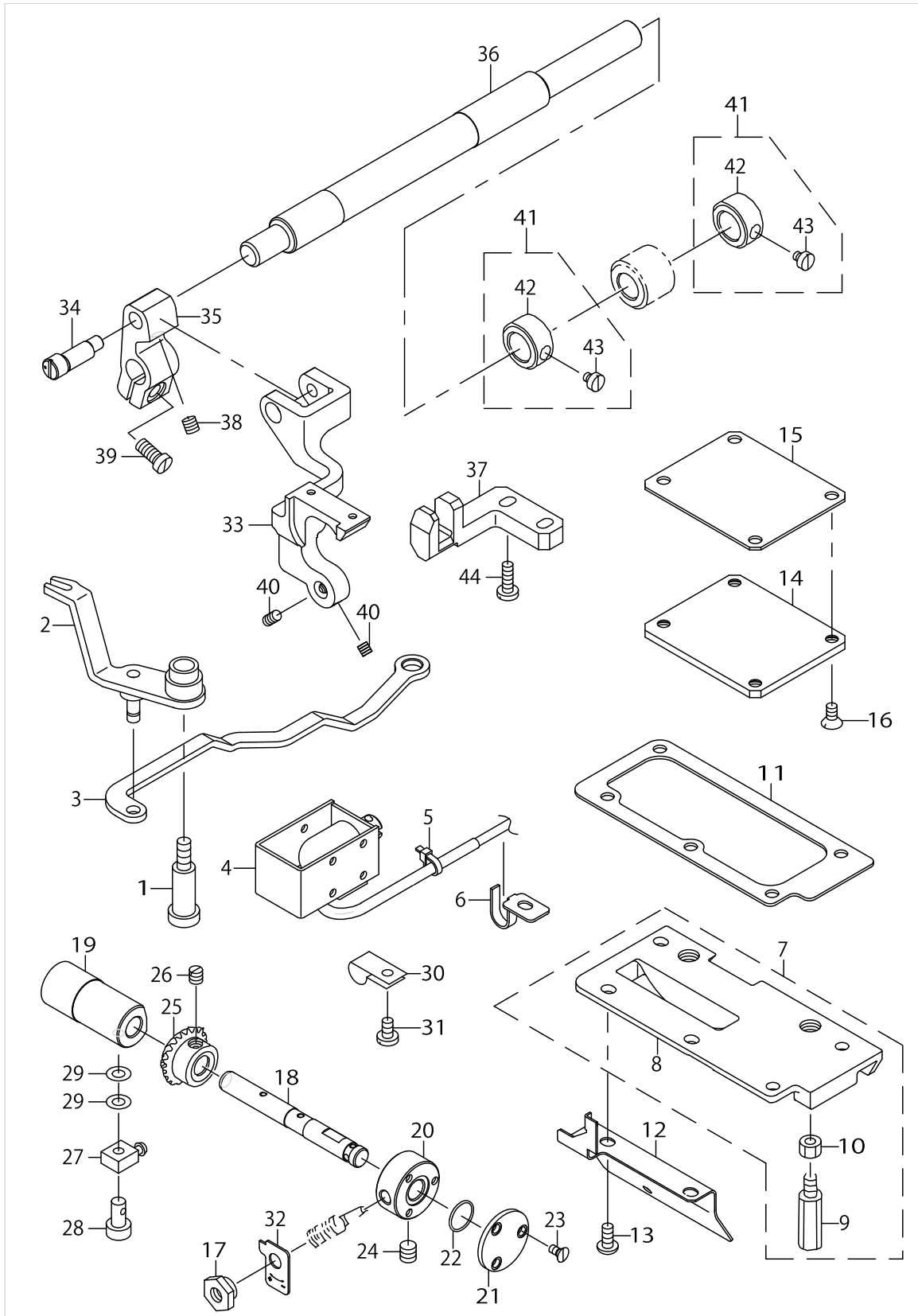
EXCLUSIVE PARTS FOR LZ-2284C-7 (1)



EXCLUSIVE PARTS FOR LZ-2284C-7 (1)

No.	Parts No.	Parts name	Remarks	Level	Cons	Qty
1	40005484	NEEDLE PLATE SUPPORT				1
2	40005485	OIL RETURN FELT				1
3	SS6120940SP	SCREW 3/16-28 L=9				2
4	40005505	INNER HOOK STOPPER				1
5	40005487	HOOK COVER				1
6	40005488	HOOK COVER GUIDE				2
7	40005489	HOOK COVER SPRING				1
8	40005490	HOOK COVER GUIDE PIN				4
9	40005491	HOOK COVER BUTTON				1
10	40005493	HOOK COVER STOPPER				1
11	40005494	OIL SHIELD PLATE				1
12	NM6040003SC	NUT M4				1
13	B8226WP1000	FRAME RUBBER CUSHION				4
14	SM5040655SN	SCREW				1
15	SS6110610TP	SCREW 11/64-40 L=6				1
16	SS1110640TP	SCREW 11/64-40 L= 5.5				4
17	SL4040681SC	COMBINATION SCREW M4 X 8				1
18	WP0430801SC	WASHER 4.3X9X0.8				1
19	TA1450302R0	RUBBER PLUG				1
20	B3541012000	OIL WICK				0.25
21	22963409	THREAD TENSION SPRING				1
22	RE0200000K0	E-RING				1
23	SD0550212TP	HINGE SCREW D=5.5 H=2.1				1
24	WP0450846SP	WASHER				1
25	B2561205000A	SCREW				1
26	NS6110310SP	NUT 11/64-40				1
27	B1536804000	PIN				1
28	40005517	HOOK COVER GUIDE STOPPER ASM.	ACCESSORIE PART			1
29	40005492	HOOK COVER GUIDE STOPPER		*		1
30	40005516	TENSION SPRING		*		1
31	SD0460182SP	HINGE SCREW D= 4.6 H= 1.8		*		1
32	WP0360516SD	WASHER M3		*		1
33	SS2110920TP	SCREW 11/64-40 L=8.5				2
34	SS8110520TP	SCREW 11/64-40 L= 4.5	ACCESSORIE PART			1
35	22907406	PRESSER SPRING				1
36	TA2101002R0	RUBBER PLUG				1
37	TA1250804R0	RUBBER PLUG				1

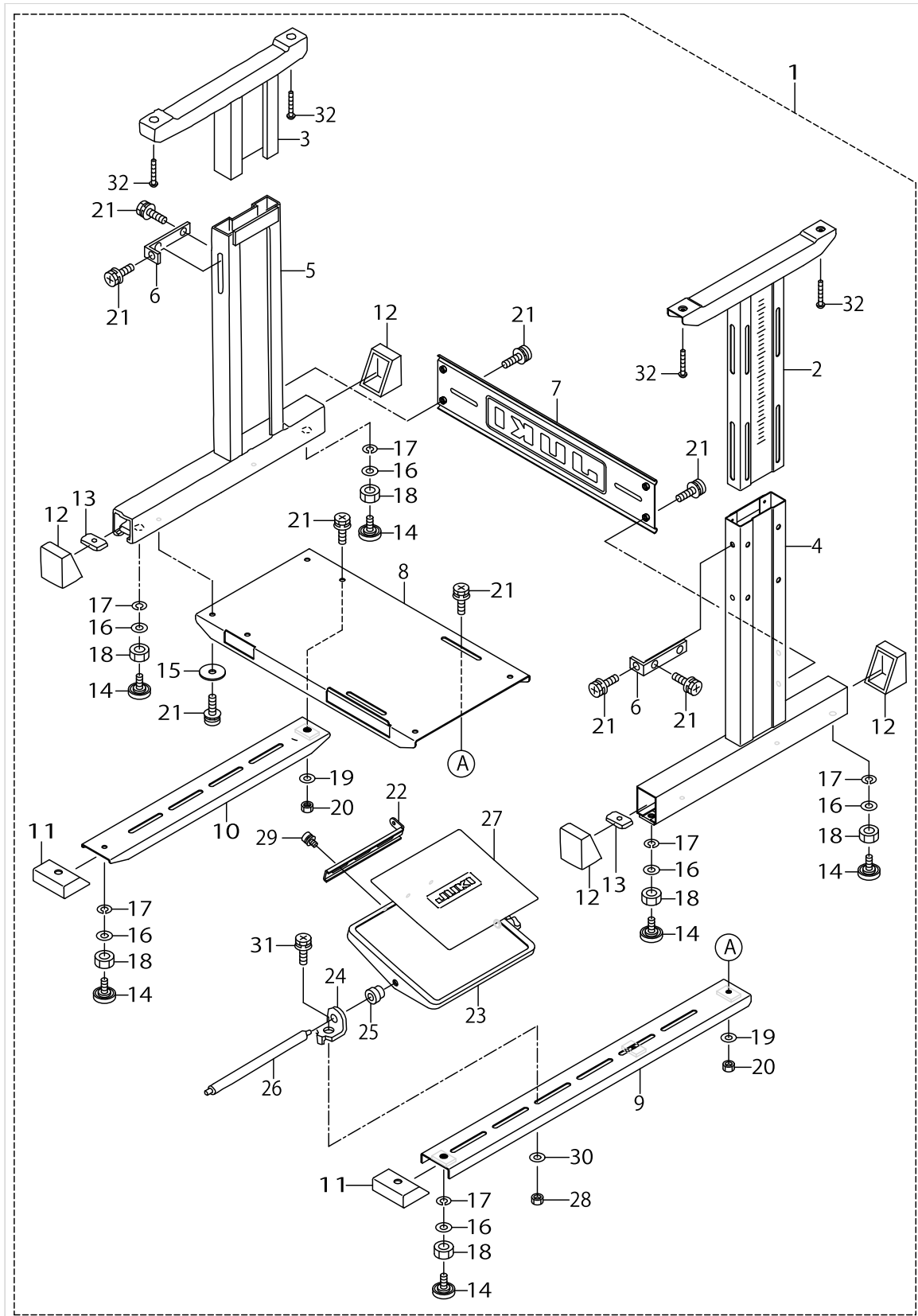
EXCLUSIVE PARTS FOR LZ-2284C-7 (2)



EXCLUSIVE PARTS FOR LZ-2284C-7 (2)

No.	Parts No.	Parts name	Remarks	Level	Cons	Qty
1	SD0791501SP	HINGE SCREW D= 7.94 H=15.0				1
2	40005508	KNIFE BRANCH ASM.				1
3	40005507	MOVING KNIFE LINK				1
4	40106079	THREAD_TRIMMER_SOLENOID				1
5	EA9500B0100	CABLE BAND				1
6	B3523980000	OIL WICK PIPE STOPPER	VARIOUS NOS. FOR DESTINATIONS			1
7	40005477	DRIVING GEAR BOX COVER ASM.				1
8	40005478	DRIVING GEAR BOX COVER		*		1
9	10100410	BED SCREW STUD		*		2
10	NS6700420SP	NUT 5/16-24		*		2
11	40005480	DRIVING GEAR BOX COVER PACKING				1
12	40005481	OIL SHIELD PLATE				1
13	SS4110915SP	SCREW 11/64-40 L=9				5
14	40005482	BEVEL GEAR BOX COVER				1
15	40005483	BEVEL GEAR BOX COVER PACKING				1
16	SS1110840SP	SCREW 11/64-40 L=8				4
17	13521000	NUT				1
18	40043054	HOOK SHAFT				1
19	40043055	HOOK SHAFT BUSHING				1
20	40005503	HOOK SHAFT METAL (B)				1
21	40005504	HOOK SHAFT METAL (B) COVER				1
22	RO110090100	RUBBER RING				1
23	SS1080620SP	SCREW 1/8-44 L=6				3
24	SM8060602TP	SCREW M6X6				1
25	40005506	HOOK DRIVING BEVEL GEAR (B)				1
26	SM8050500SP	SCREW				2
27	SQ0000401MZ	CONNECTING SCREW				1
28	B3525357000	CONNECTING SCREW (B)				1
29	B3534012000	GASKET				2
30	B3536122000	HOLDER				1
31	SS7110710SP	SCREW 11/64-40 L=7				1
32	40005515	INDICATION PLATE				1
33	40005496	FEED BASE				1
34	40005497	FEED BASE SHAFT				1
35	40005498	FEED BASE ARM				1
36	40005499	HORIZONTAL FEED SHAFT				1
37	40005500	FEED BASE GUIDE				1
38	SM8050610TP	SCREW M5 L=6				1
39	SM6051200TP	SCREW M5 L=12				1
40	SM8040510TP	SCREW M4 L=5				2
41	CS1111010SH	THRUST COLLAR ASM. D=11.11 W=10				2
42	CS1111019SH	THRUST COLLAR D=11.11 W=10		*		2
43	SS6660710TP	SCREW 1/4-40 L=7		*		2
44	SS7111120TP	SCREW				2

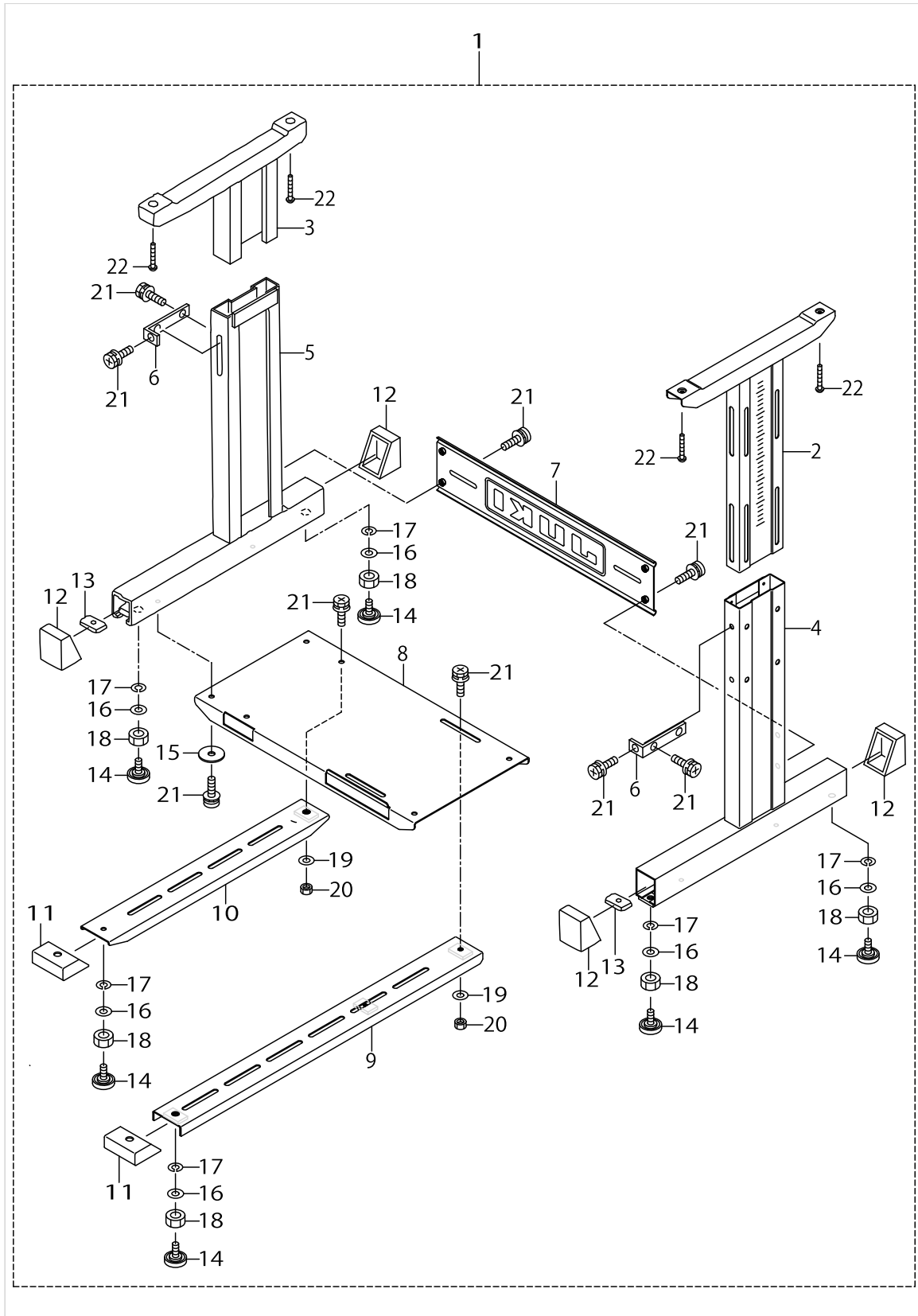
EXCLUSIVE PARTS FOR LZ-2284C-7 (3) (TABLE COMPONENTS/JT-Z710)



EXCLUSIVE PARTS FOR LZ-2284C-7 (3) (TABLE COMPONENTS/JT-Z710)

No.	Parts No.	Parts name	Remarks	Level	Cons	Qty
1	40005530	T-STAND ASM.				1
2	14118152	UPPER STAND ASM. RIGHT		*		1
3	B8101210AAB	UPPER STAND ASM.		*		1
4	14118251	STAND ASM. RIGHT		*		1
5	B8105210AAA	STAND ASM.		*		1
6	11158516	UPPER STAND PLATE		*		2
7	D8308205K0A	STAND SIDE SUPPORT		*		1
8	40005535	STAND SIDE SUPPORT		*		1
9	40005536	PEDAL SUPPORT BASE		*		1
10	40005538	STAND SUPPORT		*		1
11	40005539	PEDAL SUPPORT BASE CAP		*		2
12	11158607	RUBBER CAP		*		4
13	B8112552000	LEG BOTTOM SUPPORT BRACKET		*		4
14	B81085550A0	ADJUSTING SCREW ASM. WITH CAP		*		6
15	G5514116000	WASHER D=30		*		4
16	WP1302501SE	WASHER M12		*		6
17	WS1253010KN	SPRING WASHER 12.5X21.5X3		*		6
18	ST9053511SR	TAPPING SCREW M5X35		*		4
19	WP0871602SE	WASHER 8.7X18X1.6		*		2
20	NM6080001SE	NUT M8		*		2
21	SL9082091SE	WASHER HEXAGONAL BOLT		*		18
22	11158706	PEDAL ADJUSTING PLATE		*		1
23	11158805	PEDAL		*		1
24	11159001	PEDAL SHAFT BRACKET		*		2
25	D8113555B00	PEDAL BUSHING		*		2
26	D8115555B00	PEDAL SHAFT		*		1
27	11158904	PEDAL MAT		*		1
28	NM6080001SE	NUT M8		*		2
29	SL9061291SE	WASHER HEXAGONAL BOLT M6 L=12		*		2
30	WP0871602SE	WASHER 8.7X18X1.6		*		2
31	SL9082091SE	WASHER HEXAGONAL BOLT		*		2
32	ST9053511SR	TAPPING SCREW M5X35		*		4

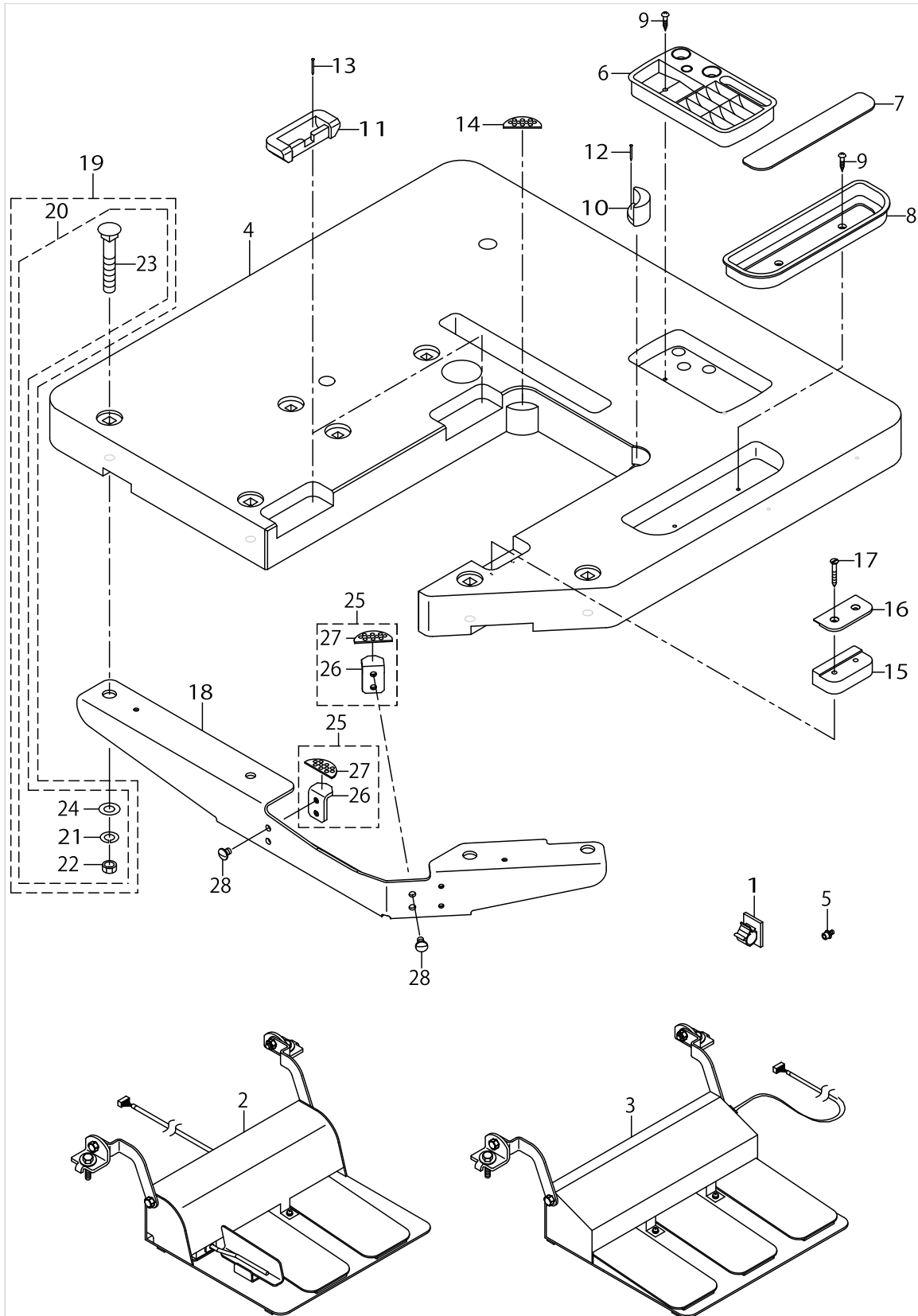
EXCLUSIVE PARTS FOR LZ-2284C-7 (4) (TABLE COMPONENTS/JT-Z71A,JT-Z71B)



EXCLUSIVE PARTS FOR LZ-2284C-7 (4) (TABLE COMPONENTS/JT-Z71A,JT-Z71B)

No.	Parts No.	Parts name	Remarks	Level	Cons	Qty
1	40005537	T-STAND ASM.				1
2	14118152	UPPER STAND ASM. RIGHT		*		1
3	B8101210AAB	UPPER STAND ASM.		*		1
4	14118251	STAND ASM. RIGHT		*		1
5	B8105210AAA	STAND ASM.		*		1
6	11158516	UPPER STAND PLATE		*		2
7	D8308205K0A	STAND SIDE SUPPORT		*		1
8	40005535	STAND SIDE SUPPORT		*		1
9	40005536	PEDAL SUPPORT BASE		*		1
10	40005538	STAND SUPPORT		*		1
11	40005539	PEDAL SUPPORT BASE CAP		*		2
12	11158607	RUBBER CAP		*		4
13	B8112552000	LEG BOTTOM SUPPORT BRACKET		*		4
14	B81085550A0	ADJUSTING SCREW ASM. WITH CAP		*		6
15	G5514116000	WASHER D=30		*		4
16	WP1302501SE	WASHER M12		*		6
17	WS1253010KN	SPRING WASHER 12.5X21.5X3		*		6
18	ST9053511SR	TAPPING SCREW M5X35		*		4
19	WP0871602SE	WASHER 8.7X18X1.6		*		2
20	NM6080001SE	NUT M8		*		2
21	SL9082091SE	WASHER HEXAGONAL BOLT		*		18
22	ST9053511SR	TAPPING SCREW M5X35		*		4

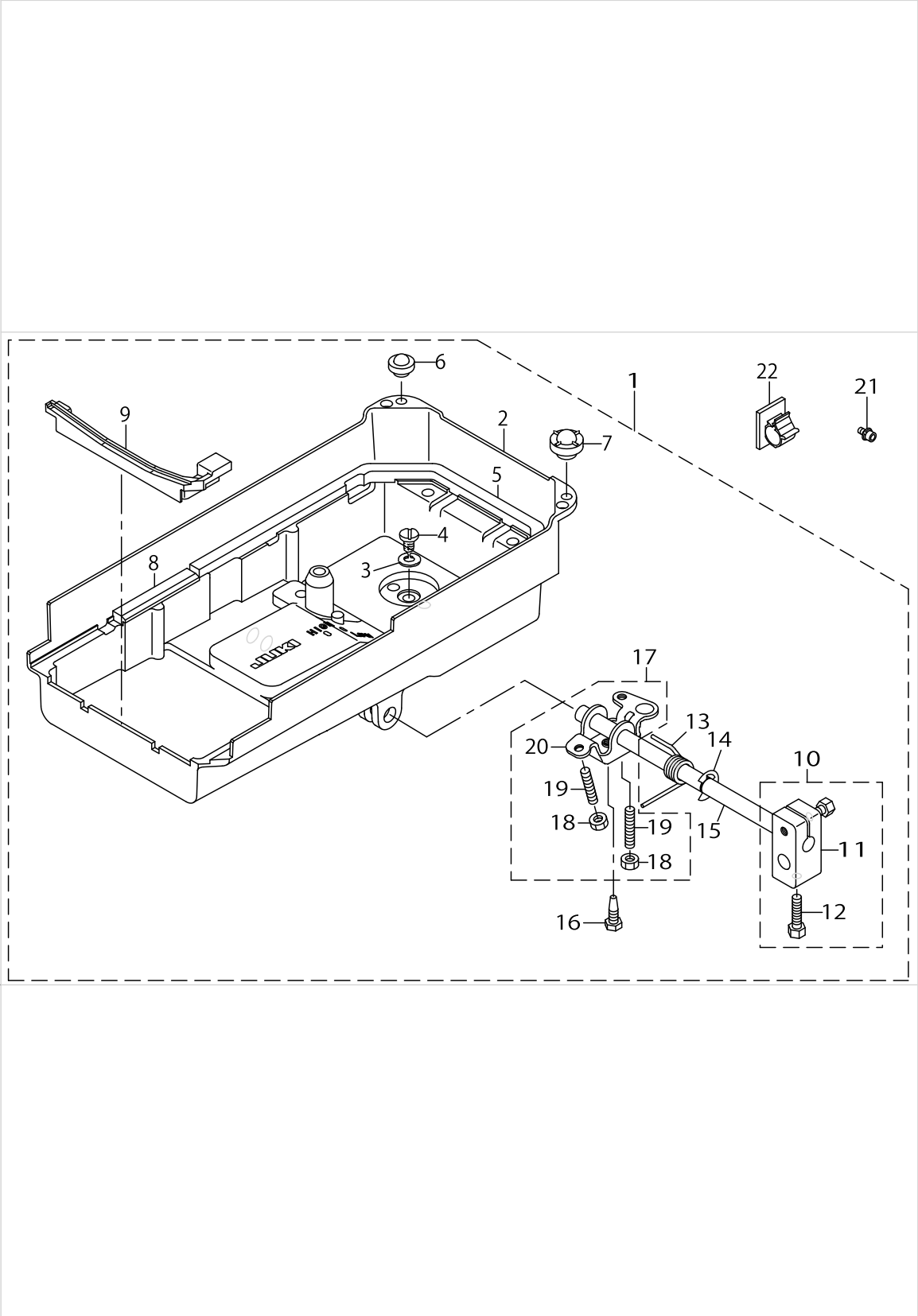
EXCLUSIVE PARTS FOR LZ-2284C-7 (5)



EXCLUSIVE PARTS FOR LZ-2284C-7 (5)

No.	Parts No.	Parts name	Remarks	Level	Cons	Qty
1	E9608603000	STICKER (MIDDLE)	AT THE TIME OF DELIVERY OF COMPLETE SET WITH TABLE STAND ONLY.			1
2	GPK710010A0	2-PEDAL ASM. 71	FOR JT-Z71B			1
3	GPK700010A0	3-JOINT PEDAL ASM. 70	FOR JT-Z71A			1
4	40107537	TABLE				1
5	SL6040892TN	BOLT	AT THE TIME OF DELIVERY OF COMPLETE SET WITH TABLE STAND ONLY.			8
6	11155751	CASE ASM. B				1
7	11155801	CASE MAGNET				1
8	11156007	CASE				1
9	SK3382001SE	SCREW D=3.8 L=20				4
10	11076007	FRAME RUBBER CUSHION				1
11	11075801	RUBBER SPACER				2
12	B8210012000	CUSHION SET NAIL				2
13	B8210012000	CUSHION SET NAIL				4
14	D8226555E00	FRAME RUBBER CUSHION A				1
15	GAW02560000	BED FIXING RUBBER				1
16	GAW02561000	BED FIXING RUBBER PRESSER				1
17	SK1413200SC	WOOD SCREW D=4.1 L=32				2
18	40005532	TABLE SUPPORT				1
19	13155064	REPUTATION PLATE BOLT ASM.				1
20	13155056	BOLT SET A		*		4
21	WS1002560KR	SPRING WASHER 10X18X2.5		*		4
22	NS6240630SE	NUT 3/8-18		*		4
23	13155007	HOLDING PLATE BOLT		*		4
24	WP1002036SE	WASHER 10X21X2		*		4
25	40005533	OIL RESERVOIR HOLDER ASM.				2
26	40005534	OIL RESERVOIR HOLDER		*		2
27	D8226555E00	FRAME RUBBER CUSHION A		*		2
28	SM0060801SA	SCREW				4

EXCLUSIVE PARTS FOR LZ-2284C-7 (6) (ACCESSORIES PARTS COMPONENTS)



EXCLUSIVE PARTS FOR LZ-2284C-7 (6) (ACCESSORIES PARTS COMPONENTS)

No.	Parts No.	Parts name	Remarks	Level	Cons	Qty
1	40005520	OIL RESERVOIR ASM.				1
2	40005521	OIL RESERVOIR		*		1
3	RO098240100	RUBBER RING		*		1
4	SM0081001SD	SCREW		*		1
5	10038107	OIL RESERVOIR GASKET		*		1
6	11047107	RUBBER CUSHION		*		1
7	B1116210D00	FRAME SUPPORT RUBBER		*		1
8	40005524	FRAME SUPPORT RUBBER CUSHION B		*		1
9	40005523	FRAME SUPPORT RUBBER CUSHION A		*		1
10	22932453	BRACKET ASM.		*		1
11	22932404	BRACKET		*		1
12	22934707	SCREW		*		2
13	22932206	SPRING		*		1
14	RE1000000K0	E-RING 10		*		1
15	22932305	KNEE PRESS CROSS SHAFT		*		1
16	SM9061853SR	SCREW M6 L=17.5		*		1
17	22932156	KNEE LIFTER ROTATION ARM ASM.		*		1
18	NM6060001SE	NUT M6		*		2
19	SM8063012TR	SCREW M6 L=30		*		2
20	22932107	KNEE LIFTING ROTATING ARM		*		1
21	SL6040892TN	BOLT				8
22	E9608603000	STICKER (MIDDLE)				1

HOW TO MAKE USE OF THIS PARTS LIST

1.Explanation of codes

1)"*"mark.....means this part is changed from the previous parts book.

As to the details of the change, refer to the "List for information of change".

2)"#01".....refer to "Note" explanation at bottom of page.

2.Codes on the "Qty" column

• Each numeral indicates the number of parts required.

• "0.1" and "2.5" indicate the length (in meters) of the respective parts.

3.Parentheses mean that the corresponding part is a subpart that constructs an assembly part.

4.Dotted lines on the Figures indicate assembly parts.

5.As to the parts with marks of "☆"(consumable parts) and "◎"(optional parts)on the respective parts, it is recommended to prepare spares.

1 ."注記"欄の記号説明

1) "*"印.....前回のパーツブックに比較して今回変更された部品を意味します。

変更内容は、"変更情報リスト"を参照してください。

2) "#01".....ページ下の"注記"の説明を参照してください。

2.数量欄の数字は、個数を表し、0.1、2.5等の数値は、長さ（単位メートル）を表します。

3.数量欄の（ ）は、組部品を構成している子部品であることを意味します。

4.イラストページの-----枠は、組構成であることを意味します。

5.リストページの"☆"（消耗部品）、"◎"（オプション部品）の印がついた部品は、予備を準備しておくことをお奨めします。

NUMERICAL INDEX OF PARTS

PART NO	PAGE	REF NO.	PART NO	PAGE	REF NO.	PART NO	PAGE	REF NO.
1000206	2	15	10017168	58	37	10033108	88	46
10001709	2	17	10017168	82	41	10035004	34	12
10005668	4	53	10017408	16	14	10035111	34	11
10006005	4	55	10017408	84	48	10035301	34	8
10006104	4	52	10017606	16	15	10035509	64	61
10007854	4	56	10017606	58	43	10037109	34	16
10008506	10	14	10017606	84	49	10037307	6	31
10008753	10	16	10017705	16	45	10037406	6	12
10011005	14	25~ 28·45	10018000	16	11	10038107	54	3
10011104	14	25~ 28·45	10018000	58	39	10038107	102	5
10011203	14	25~ 28·45	10018000	82	43	10043412	56	5
10011302	14	25~ 28·45	10018109	16	12	10043461	64	58
10012201	14	30	10018109	58	40	10044014	56	13
10012417	14	31	10018109	82	44	10044014	58	12
10012516	14	32	10021103	22	53	10044105	56	14
10012607	14	12~15	10021103	82	11	10044105	58	13
10012706	14	12~15	10021202	20	48	10045060	66	11
10012805	14	12~15	10021202	22	48	10054112	58	23
10012904	14	12~15	10021202	66	17	10055051	82	6
10013019	12	61	10022010	20	17	10061554	58	2
10013118	12	62	10022606	20	28	10062701	62	17
10013407	12	67	10025906	76	32	10062800	62	18
10014009	14	25~ 28·45	10025906	88	28	10063204	62	19
10015105	16	44	10026201	26	10	10063303	62	20
10015360	16	13	10026706	26	26	10063402	62	21
10015360	58	41	10026763	26	24	10063501	62	22
10015360	82	45	10026904	26	37	10063600	62	23
10015907	16	30	10027100	26	44	10063808	62	30
10015907	82	22	10027407	28	48	10064004	62	31
10016210	16	6~9	10027506	28	47	10064103	62	32
10016210	58	32~35	10029304	28	57	10064202	62	33
10016210	82	36~39	10030401	32	62	10064301	62	34
10016319	16	6~9	10030609	30	47~50	10064400	62	35
10016319	58	32~35	10030708	32	47~50	10064608	62	36
10016319	82	36~39	10030807	32	47~50	10064905	62	37
10016418	16	6~9	10030906	32	47~50	10065001	62	38
10016418	58	32~35	10031003	32	58	10065209	64	63
10016418	82	36~39	10031615	30	19	10100410	94	9
10016517	16	6~9	10031714	30	20	10208601	46	4
10016517	58	32~35	10031805	6	21	10208700	46	10
10016517	82	36~39	10031904	6	22	10208858	46	8
10017168	16	10	10032001	6	23	10502300	8	32
			10033009	30	10	10565406	68	31
			10033009	90	51	10623601	36	59
			10033108	30	12	11008802	70	55

NUMERICAL INDEX OF PARTS

PART NO	PAGE	REF NO.	PART NO	PAGE	REF NO.	PART NO	PAGE	REF NO.
11015906	30	33	13171004	54	6	22510101	14	22
11030202	86	18	13521000	94	17	22510101	66	7
11041308	40	71	13705603	40	58	22510200	14	23
11041407	40	72	13729702	30	36	22510200	66	8
11043601	2	21	14118152	96	2	22512057	16	1
11044054	6	14	14118152	98	2	22512107	16	29
11047107	102	6	14118251	96	4	22512156	16	28
11071909	66	23	14118251	98	4	22512313	16	35
11072402	8	37	16194300	40	63	22512362	16	34
11072501	44	10	16965105	68	23	22512602	82	23
11075801	100	11	19800903	30	39	22519201	24	17
11076007	100	10	19801000	30	40	22519300	24	18
11079506	32	51	19801109	30	42	22519607	26	2
11093606	8	38	19801208	30	43	22519805	24	20
11101003	44	25	19801307	30	41	22519904	26	5
11101003	86	5	19801406	30	44	22520001	26	6
11102001	44	5	19801505	30	45	22520001	76	10
11102100	44	6	19801604	30	46	22524805	32	59-60
11102209	44	7	22501209	2	2	22525059	30	1~6
11102308	44	9	22501506	2	4	22525257	30	1~6
11102308	68	36	22501605	2	5	22525406	88	24
11102605	86	6	22501704	2	6	22525455	88	23
11155751	100	6	22501704	40	57	22525752	30	1~6
11155801	100	7	22501704	78	31	22525877	30	1~6
11156007	100	8	22502108	2	8	22525919	30	8
11158516	96	6	22502504	4	13-73	22525919	90	49
11158516	98	6	22502702	2	11	22525968	30	7
11158607	96	12	22503353	88	8	22526008	30	13
11158607	98	12	22503908	76	31	22526008	88	47
11158706	96	22	22503908	88	29	22526206	30	59-60
11158805	96	23	22504104	2	10	22526206	32	59-60
11158904	96	27	22505200	10	3	22526578	30	1~6
11159001	96	24	22505259	10	2	22526677	30	1~6
11162104	88	42-43	22505705	10	17	22527006	56	9~12
11214806	76	28	22506109	10	9-71	22527006	58	8~11
11234408	42	12	22506208	12	9-71	22527006	78	46~49
11234507	42	13	22507404	12	76	22527105	56	9~12
11384302	70	54	22507701	12	75	22527105	58	8~11
11387503	68	41	22507701	88	44	22527105	78	46~49
11960853	88	39	22507818	12	74	22527204	56	9~12
12308300	78	15	22508006	10	46	22527204	58	8~11
13155007	100	23	22509202	12	60	22527204	80	46~49
13155056	100	20	22509756	14	1	22527303	56	9~12
13155064	100	19	22510002	14	21	22527303	58	8~11
13170105	54	5	22510051	14	20	22527303	80	46~49

NUMERICAL INDEX OF PARTS

PART NO	PAGE	REF NO.	PART NO	PAGE	REF NO.	PART NO	PAGE	REF NO.
22528061	4	48-49	22546816	20	44	22557458	38	12
22528152	4	51	22546816	66	16	22557557	38	15
22528467	4	48-49	22547806	20	45	22557706	38	16
22528509	4	54	22547913	20	3	22557805	38	17
22528616	2	39	22547954	20	2	22557904	38	18
22529002	4	62	22547970	20	1	22558001	38	21
22529101	4	63	22548010	6	25-30	22558100	38	22
22529200	4	64	22548010	66	18	22558159	38	20
22529473	8	40	22548119	26	8-59-61	22558209	38	19
22529481	8	36	22548119	66	19	22558308	38	13
22531552	34	4	22548614	20	43	22558407	38	14
22534010	54	2	22548655	20	42	22558506	40	65
22534101	54	27	22548671	20	41	22559850	44	3
22535454	52	13	22548671	66	15	22559850	86	4
22535603	52	12	22548705	6	25-30	22559900	44	4
22535801	88	1	22548804	28	8-59-61	22561559	86	1
22535900	88	3	22548903	22	58	22561708	46	11
22536403	2	24	22548960	22	52	22561757	46	1
22536403	88	4	22550602	50	1	22561807	46	3
22536502	56	28	22552400	6	13	22561856	46	2
22536502	64	72	22552756	40	54	22561906	46	7
22536502	66	30	22552764	40	51	22561955	46	6
22536502	80	59	22552806	40	52	22562052	46	15
22536502	88	5	22552905	40	53	22562102	46	16
22538706	8	34	22554158	38	1	22562201	46	17
22538805	8	30	22554356	38	2	22564157	42	1
22538854	8	28	22554505	38	3	22564256	42	2
22540009	66	14	22554802	38	6	22564454	42	3
22540108	66	32	22554901	38	7	22564702	42	4
22540207	66	22	22555007	38	8	22564801	42	5
22540454	66	24	22555106	38	9	22564959	42	29
22540710	66	2	22555205	38	10	22565105	42	30
22540769	66	1	22555304	38	11	22565204	42	6
22541106	66	21	22555403	88	21	22565303	42	7
22542500	66	6	22555551	40	66	22565501	42	9
22542559	66	5	22555858	38	30	22565659	42	10
22542708	4	25-67	22556054	88	11	22565857	42	11
22544159	44	2	22556153	88	20	22566152	42	31
22544159	86	3	22556302	88	12	22566301	42	36
22545107	28	8-59-61	22556450	88	13	22568356	82	17
22545206	22	57	22556609	88	14	22573208	82	19
22545206	82	9	22556708	88	15	22573257	82	18
22545404	22	54	22556807	88	16	22573505	84	51
22545404	56	31	22556906	40	67	22580302	66	12
22545404	82	12	22557003	40	68	22580302	82	7

NUMERICAL INDEX OF PARTS

PART NO	PAGE	REF NO.	PART NO	PAGE	REF NO.	PART NO	PAGE	REF NO.
22580369	66	10	22907406	20	21-34	22955900	46	19
22580864	82	5	22907406	92	35	22956007	46	20
22581508	56	27	22907505	20	19	22956205	46	21
22581508	76	30	22907554	20	18	22956304	46	22
22581508	80	52	22907604	20	20	22957104	46	24
22582407	56	1	22907703	22	59	22957203	46	25
22582407	66	13	22907802	20	23	22958300	2	13-73
22582407	76	15	22908305	20	13	22963409	92	21
22582407	80	51	22908909	20	12	23500978	2	3
22584908	82	10	22912000	24	26	23501307	76	7
22584965	82	8	22912109	24	27	23501356	76	4
22585400	56	2	22913008	12	64	23501406	76	5
22585509	58	5	22913156	76	21	23501513	76	27
22585657	78	44	22913206	76	24	23501604	76	19
22585707	56	7	22916506	30	32	23501703	76	18
22585707	58	7	22917058	34	40	23501802	76	17
22585806	56	4	22924906	34	20	23501901	76	13
22585855	56	3	22932008	54	4	23502008	76	1
22585855	58	6	22932107	54	15	23502107	76	2
22586200	58	46	22932107	102	20	23502651	54	1
22586226	56	24	22932156	54	14	23502958	90	53-54
22586226	82	3	22932156	102	17	23503006	90	60-61
22586275	56	23	22932206	54	8	23503154	76	34
22586705	88	2	22932206	102	13	23503162	76	35
22590061	58	45	22932305	54	7	23503303	32	64
22590301	62	26	22932305	102	15	23503402	30	21
22590400	62	28	22932404	54	12	23503501	30	9
22590509	62	29	22932404	102	11	23503501	90	50
22590806	64	60	22932453	54	11	23503659	90	53-54
22590855	64	59	22932453	102	10	23503709	90	58
22591101	62	15	22934202	54	21	23503808	90	59
22591408	62	5	22934251	54	20	23503907	90	60-61
22591564	62	1	22934301	54	25	23504004	90	62
22591663	62	14	22934400	54	24	23504103	90	55
22592505	58	1	22934509	54	22	23504301	90	56
22592604	58	25	22934608	54	23	23504400	90	57
22592653	58	22	22934707	54	13	23504657	90	63
22592802	58	47	22934707	102	12	23505605	72	2
22593107	64	70	22937155	10	36	23505654	72	1
22596704	32	56	22937254	10	35	23505829	68	5
22900401	2	18	22937965	10	40	23505910	72	6
22901300	6	9	22947006	2	20	23506009	68	13
22901805	6	28	22948558	40	70	23506108	68	9
22904155	10	32	22952501	24	24	23506314	68	11
22907109	20	22	22955504	46	23	23506405	68	15

NUMERICAL INDEX OF PARTS

PART NO	PAGE	REF NO.	PART NO	PAGE	REF NO.	PART NO	PAGE	REF NO.
23506504	68	28	23518822	78	35	26303206	26	43
23506603	68	17	23519804	80	55	26303404	26	46
23506702	68	21	23521057	82	24	26303503	28	49
23506801	68	24	23521107	82	29	26303602	24	14
23507056	68	30	23521255	82	2	26303701	28	51
23507155	68	32	23521263	82	1	26303800	30	38
23507262	68	34	23521305	84	53	26303909	32	57
23507551	68	40	23521404	82	15	26304006	32	61
23507700	68	43	23522550	88	9	26304303	30	18
23507809	68	45	23523004	88	10	26304402	10	18
23507908	68	47	23523152	88	45	26304501	34	19
23508005	70	49	23523202	90	52	26304758	2	1
23508104	70	51	23537202	32	65	26304907	6	1
23508203	70	53	23542418	40	69	26305102	2	7
23508252	68	29	23547557	4	50	26305300	2	9
23508302	70	57	26226407	24	23	26305409	2	14
23508450	70	59	26260406	8	5	26305516	10	6
23508500	70	61	26260505	8	6	26305904	12	65
23508609	70	65	26260802	8	9	26306001	12	66
23508757	70	66	26261206	8	13	26306506	16	2
23508906	68	3	26261305	8	14	26306704	16	41
23509003	68	1	26261602	8	16	26306803	16	33
23509169	72	3	26261701	8	17	26306951	16	36
23509466	72	4	26300103	6	7	26306951	56	25
23509706	72	8	26300202	10	13	26306951	66	3
23510050	72	9	26300301	10	15	26307108	16	39
23510159	72	10	26300400	10	47	26307157	16	38
23510308	72	12	26300509	26	36	26307207	16	40
23510407	72	15	26300608	14	29	26307306	16	3
23510506	72	16	26300913	12	59	26307306	58	27
23512015	72	28	26300962	12	58	26307306	82	31
23512106	72	34	26301002	14	33~36	26307405	14	3~6
23512155	72	33	26301101	14	33~36	26307504	14	3~6
23512163	72	32	26301200	14	33~36	26307603	14	3~6
23512205	72	35	26301309	14	33~36	26307702	14	3~6
23512304	72	38	26301408	12	68	26307850	20	9
23512569	72	29	26301507	16	5	26308007	20	10
23512601	72	30	26301507	58	26	26308205	24	3
23512817	70	70	26301507	82	30	26308353	24	4
23512908	74	64	26302000	24	16	26308403	24	5
23513062	74	65	26302307	14	11	26308809	72	26
23513161	74	66	26302703	16	4	26309005	24	10
23513302	70	71	26302901	22	51	26309104	26	1
23513401	68	7	26303107	26	12	26309351	26	7
23516206	2	25·67	26303107	76	12	26309609	32	52

NUMERICAL INDEX OF PARTS

PART NO	PAGE	REF NO.	PART NO	PAGE	REF NO.	PART NO	PAGE	REF NO.
26309708	32	53	40005490	92	8	40020341	36	51
26311902	34	5	40005491	92	9	40020342	34	42
26312405	24	2	40005492	92	29	40020343	34	43
26312405	78	33	40005493	92	10	40020344	34	44
26312504	2	40	40005494	92	11	40020345	34	46
26312702	78	10	40005496	94	33	40020346	36	47
26312751	78	1	40005497	94	34	40021933	8	12
26312801	78	13	40005498	94	35	40023289	70	52
26312900	78	9	40005499	94	36	40026730	8	7
26313007	78	2~5	40005500	94	37	40026745	8	24
26313106	78	2~5	40005503	94	20	40028555	6	4
26313205	78	2~5	40005504	94	21	40031418	26	3
26313304	78	2~5	40005505	92	4	40031628	8	3
26313403	78	8	40005506	94	25	40031629	8	10
26313502	78	6	40005507	94	3	40031630	8	11
26313700	80	57	40005508	94	2	40031631	8	27
26314104	78	24	40005515	94	32	40031633	8	8
26314401	78	43	40005516	92	30	40032138	8	4
26314500	26	34	40005517	92	28	40032271	28	53
26314708	6	10	40005520	102	1	40034904	8	2
26314757	6	8	40005521	102	2	40034919	8	26
26314906	26	32	40005523	102	9	40034920	8	1
26315150	34	1	40005524	102	8	40035544	34	3
26315200	34	2	40005530	96	1	40035702	26	9
26315408	34	10	40005532	100	18	40040372	10	10
26319004	82	25	40005533	100	25	40043050	30	16
26319400	52	1	40005534	100	26	40043051	30	17
26319509	52	3	40005535	96	8	40043054	94	18
26319558	52	2	40005535	98	8	40043055	94	19
26319608	52	4	40005536	96	9	40043720	8	25
26319806	52	5	40005536	98	9	40043912	28	50
29141900	86	17	40005537	98	1	40044872	10	7
40003598	30	35	40005538	96	10	40050457	28	52
40003599	30	37	40005538	98	10	40050700	4	65
40005477	94	7	40005539	96	11	40055832	26	11
40005478	94	8	40005539	98	11	40056375	14	7
40005480	94	11	40009373	34	21	40056376	14	8
40005481	94	12	40010276	66	25	40056754	24	1
40005482	94	14	40010295	38	5	40056873	10	44
40005483	94	15	40010305	32	54	40057195	24	6
40005484	92	1	40010319	26	45	40057196	24	8
40005485	92	2	40012129	2	19	40057197	24	7
40005487	92	5	40015494	12	77	40057198	24	11
40005488	92	6	40020337	34	41	40057199	24	9
40005489	92	7	40020338	34	45	40057280	72	5

NUMERICAL INDEX OF PARTS

PART NO	PAGE	REF NO.	PART NO	PAGE	REF NO.	PART NO	PAGE	REF NO.
40064313	78	36~42	40101350	10	25	B1637560000	78	17
40064314	78	36~42	40101683	10	23	B1646555000	28	54
40064315	78	36~42	40106079	38	4	B1810552000	10	19
40064316	78	36~42	40106079	94	4	B1905541A00	12	48~51
40064317	78	36~42	40106936	46	18	B1905541B00	12	48~51
40064319	78	36~42	40107537	100	4	B1905541C00	12	48~51
40064320	78	36~42	40108060	44	1	B1905541D00	12	48~51
40065490	14	2	40108060	86	2	B2024771000	42	17
40069741	36	56	40108948	10	34	B2034372000	42	16
40069742	36	55	40108949	10	33	B250228000A	62	39~42
40070259	34	35	40108980	6	3	B250228000B	62	39~42
40070260	34	39	40108981	6	2	B250228000C	62	39~42
40070261	34	6	40109123	32	66	B250228000D	62	39~42
40070262	34	37	40109125	12	78	B2502280B0A	56	15~19
40070531	22	49	40109128	10	1	B2502280B0A	58	14~18
40070532	10	43	40116710	42	8	B2502280B0B	56	15~19
40073481	80	53	A321600100A	8	15	B2502280B0B	58	14~18
40078331	78	19	B1116210D00	102	7	B2502280B0C	56	15~19
40078332	78	30	B1203227000A	10	11	B2502280B0C	58	14~18
40078333	78	26	B1208552000A	10	12	B2502280B0D	56	15~19
40078334	78	27	B1213372000	44	17	B2502280B0D	58	14~18
40078335	78	20	B1213372000	86	7	B2502280B0E	56	15~19
40078336	78	25	B1214038000	34	14	B2502280B0E	58	14~18
40082351	10	42	B13071550A0	30	34	B2508704000	24	25
40083221	78	34	B13081550A0	32	55	B2560372000	42	14
40085784	48	2	B1430761000	84	52	B2561205000A	92	25
40085785	48	3	B150522700A	88	42·43	B25792290A0	70	74
40085786	48	4	B1505227T00A	20	21·34	B2608761000	16	16
40085787	48	5	B1516552000	20	11	B2608761000	82	47
40085788	48	6	B1517552000	20	26	B2626372000	42	15
40085789	48	7	B1521555000	20	24	B3116125000	4	59
40085790	48	8	B1523226000	20	27	B3120125000	4	61
40085791	48	9	B1525582000	20	55	B3121352000	4	57·58
40085792	48	10	B1525582000	22	55	B3129012A00	4	57·58
40085793	48	11	B1525582000	82	13	B3208280000	72	11
40085794	48	12	B1536804000	92	27	B3214047000	8	39
40085795	48	13	B1551586000	88	6	B3414555000	20	14
40085796	48	16	B1604141H00	26	33	B3416552000	20	16
40096325	48	14	B1608555000	66	27	B3416555000	20	15
40096326	48	17	B16085550A0	66	26	B3421555000	54	28
40096327	48	19	B1609804A00	26	38~42	B3431581000	20	25
40096354	48	1	B1609804B00	26	38~42	B3523980000	94	6
40097876	74	67	B1609804C00	26	38~42	B3524552000	34	13
40097877	74	68	B1609804D00	26	38~42	B3525357000	94	28
40101337	52	11	B1609804E00	26	38~42	B3527552000	64	62

NUMERICAL INDEX OF PARTS

PART NO	PAGE	REF NO.	PART NO	PAGE	REF NO.	PART NO	PAGE	REF NO.
B3534012000	94	29	CS1111019SH	26	22	HF0041020P0	74	48~59
B3534155000	34	15	CS1111019SH	94	42	HF0041050S0	74	48~59
B3536122000	94	30	CS1470710SH	76	25	HF0078016P0	74	46
B3538112000	34	17	D1501583H00	88	40	HG005640000	74	48~59
B3538112000	68	38	D1502583H00	88	41	HK00443002A	40	50
B3538112000	72	13	D2056772B0B	38	29	HK01650004A	74	48~59
B3541012000	92	20	D2107490D00	46	9	HK034610140	40	61
B3554481000	64	64	D2112555B00	2	45	HK03464000B	44	11
B4011210000	68	35	D2467555B00	40	62	HL003880000	74	48~59
B8101210AAB	96	3	D2467555B00	86	8	HL017120000	74	48~59
B8101210AAB	98	3	D2468555B00	24	21	HR022301010	74	48~59
B8105210AAA	96	5	D2468555B00	44	16	HT002310000	74	48~59
B8105210AAA	98	5	D2468555B00	86	9	HW500070000	44	12
B81085550A0	96	14	D2515232D00	24	22	HX00123000A	42	37
B81085550A0	98	14	D3162555B00	8	42	M2001429AA0	74	60~62
B8112552000	96	13	D7117555BA0	72	14	M2001429BA0	74	60~62
B8112552000	98	13	D8113555B00	96	25	M2001429CA0	74	60~62
B8131019000	88	38	D8115555B00	96	26	M8501429AA0	74	63
B8133019000	88	37	D8226555E00	100	27	M8502429AA0	72	43
B8210012000	100	13	D8308205K0A	96	7	M8503429AA0	72	44
B8226WP1000	92	13	D8308205K0A	98	7	M8504429AA0A	72	42
B8228125000	54	19	E9608603000	100	1	M8505429AA0	74	45
B9101490000	88	22	E9608603000	102	22	M8601429AA0A	74	47
B9113012000	62	27	EA9500B0100	36	53	MAB109000A0	56	30
BT0500300EA	34	58	EA9500B0100	38	31	MAB109000B0	56	29
BT0500300EA	36	58	EA9500B0100	94	5	MAM097000A0	60	52
CM300200001	2	46	EA9502B0200	2	44	MAM09700BA0	60	53
CM300200002	6	29	G5514116000	96	15	MAO11602N00	72	17
CM301300001	6	27	G5514116000	98	15	MAT80117S00	88	36
CM600100101	6	20	GAK33041000	20	29	MC192300750	12	52·72·73
CQ202000000	12	70	GAK33042000	20	30	MC1923F0800	58	4
CQ202000000	34	54	GAW02560000	100	15	MC2005F0700	12	52·72·73
CQ202000000	36	54	GAW02561000	100	16	MDP500B1000	12	52·72·73
CQ303000000	64	69	GPK700010A0	100	3	NM60300000E	36	50
CQ500600000	64	68	GPK710010A0	100	2	NM6030001SB	38	35
CS0640863SH	42	28	GPR01015000	2	36	NM6030001SC	40	55
CS0800911TH	68	19	GRF010000B0	88	30	NM6040001SN	40	56
CS095101BSH	40	49	GRF01001000	88	31	NM6040003SC	92	12
CS1031210SH	14	40	HA00044000A	70	67	NM6050001SE	48	24
CS1031210SH	24	32	HA001900000	44	8	NM6060001CP	6	5
CS1031210SH	62	52	HA00600000A	46	27	NM6060001SE	54	18
CS1031210SH	64	52	HC018201020	74	48~59	NM6060001SE	64	50
CS103121BSH	14	41	HC018204700	74	48~59	NM6060001SE	72	19
CS1111010SH	26	21	HC036413320	74	48~59	NM6060001SE	102	18
CS1111010SH	94	41	HC055711040	74	48~59	NM6080001SE	96	28

NUMERICAL INDEX OF PARTS

PART NO	PAGE	REF NO.	PART NO	PAGE	REF NO.	PART NO	PAGE	REF NO.
NM6080001SE	98	20	RE0400000K0	8	19	SD0640241SP	42	21
NM6080721SE	72	18	RE0400000K0	16	25	SD0640751SP	2	29
NP210300000	38	25	RE0400000K0	38	45	SD0640851SP	68	46
NS6080340SP	42	24	RE0400000K0	44	19	SD0650321TP	46	31
NS6090310SP	70	64	RE0400000K0	58	42	SD0791331SP	72	36
NS6110310SP	8	41	RE0400000K0	78	22	SD0791501SP	94	1
NS6110310SP	36	60	RE0400000K0	82	46	SD0791503SP	38	41
NS6110310SP	46	34	RE0400000K0	86	11	SD0791503SP	44	22
NS6110310SP	92	26	RE0500000K0	20	31	SD0791503SP	86	13
NS6110360SP	72	22	RE0500000K0	38	40	SD0800402TP	16	27
NS6110420SP	88	35	RE0600000K0	20	38	SD0800402TP	82	26
NS6120310SP	24	13	RE0600000K0	38	43	SD0900701TP	28	62
NS6120310SP	26	14	RE0900000K0	42	19	SE4301031SR	36	52
NS6150310SP	16	23	RE1000000K0	54	10	SK1413200SC	100	17
NS6150310SP	34	31	RE1000000K0	102	14	SK3382001SE	100	9
NS6150310SP	38	42	RE1200000K0	44	20	SK3412001SE	52	9
NS6150310SP	44	23	RE1200000K0	86	12	SL4030631SC	46	28
NS6150310SP	58	36	RO029180100	10	20	SL4030881SF	42	32
NS6150310SP	82	40	RO029180100	36	63	SL4031691SC	72	20
NS6150310SP	86	10	RO029180100	78	23	SL4032591SC	70	68
NS6150430SP	38	38	RO036080200	32	63	SL4040681SC	92	17
NS6150430SP	62	48	RO037180100	20	35	SL4040881SC	38	36
NS6150430SP	64	48	RO048190100	10	28	SL4051001MZ	10	41
NS6240630SE	100	22	RO069180100	14	39	SL6040892TN	100	5
NS6620310SP	20	37	RO074240100	24	29	SL6040892TN	102	21
NS6680320SP	66	29	RO098240100	102	3	SL9061291SE	96	29
NS6680410SP	26	27	RO110090100	94	22	SL9082091SE	96	31
NS6700420SP	94	10	RO195240100	2	42	SL9082091SE	98	21
PH0300085S0	78	28	RO437200200	10	27	SM0060801SA	100	28
PS0300182KF	40	64	SB109530100	30	27	SM0081001SD	102	4
PS0400252KP	12	63	SB117000100	76	6	SM4030411SB	68	39
RC0100001KP	14	19	SB120000100	10	4	SM4030411SB	72	21
RC0100001KP	16	22	SD0460182SP	92	31	SM4030601SN	46	32
RC0100001KP	58	31	SD0481451SP	42	23	SM4031001SC	36	48
RC0100001KP	78	18	SD0500251SP	70	63	SM4031501SC	44	15
RC0100001KP	82	35	SD0500481TP	46	29	SM4040655SP	44	13
RC0330415KP	76	29	SD0550212TP	92	23	SM4040855SP	70	62
RE0200000K0	16	24	SD0600271SP	46	33	SM4051405SE	48	23
RE0200000K0	58	38	SD0600291TP	38	34	SM5040655SN	8	21
RE0200000K0	82	42	SD0600321SP	24	12	SM5040655SN	92	14
RE0200000K0	92	22	SD0600321SP	26	13	SM6030602TP	88	25
RE0300000K0	26	20	SD0601051SP	62	45	SM6040802TP	68	26
RE0300000K0	42	20	SD0630275SP	20	36	SM6041002TP	68	56
RE0300000K0	76	9	SD0630301SP	20	32	SM6041002TP	70	56
RE0320000K0	46	12	SD0640231SP	68	44	SM6050802TN	68	4

NUMERICAL INDEX OF PARTS

PART NO	PAGE	REF NO.	PART NO	PAGE	REF NO.	PART NO	PAGE	REF NO.
SM6051200TP	94	39	SS2110920TP	66	9	SS4150915SP	38	32
SM6051202TP	68	27	SS2110920TP	92	33	SS4150915SP	44	18
SM6051402TP	70	69	SS2111010TP	38	47	SS4150915SP	86	15
SM6051402TP	78	12	SS3090520SP	46	14	SS4151215SP	52	10
SM6061010TP	42	26	SS4060310SP	72	31	SS5090610SP	68	14
SM8030412TP	8	18	SS4080320TP	68	10	SS5110710SP	26	30
SM8040412TP	8	23	SS4080620TP	26	35	SS5110710SP	60	54
SM8040502TP	68	42	SS4080620TP	30	30	SS5110740TP	68	2
SM8040502TP	82	16	SS4110515SP	34	32	SS6060210SP	6	11
SM8040510TP	94	40	SS4110515SP	40	60	SS6080320SP	16	37
SM8040802TP	44	14	SS4110615SP	6	18	SS6080320SP	56	26
SM8050412TP	78	14	SS4110615SP	12	54	SS6080320SP	60	48
SM8050500SP	94	26	SS4110615SP	34	62	SS6080320SP	66	4
SM8050502TP	8	22	SS4110615SP	36	62	SS6080320SP	82	4
SM8050610TP	94	38	SS4110715SP	34	23	SS6090420SP	88	18
SM8050612TP	76	16	SS4110715SP	72	40	SS6090520SP	16	26
SM8050612TP	78	11	SS4110815SP	68	48	SS6090520SP	58	44
SM8050812TP	14	17	SS4110815SP	70	48	SS6090520SP	84	50
SM8050812TP	68	37	SS4110915SP	2	71	SS6090540SP	4	68
SM8060602TP	94	24	SS4110915SP	4	71	SS6090540SP	42	33
SM8063012TR	54	17	SS4110915SP	6	26	SS6090620SP	8	33
SM8063012TR	102	19	SS4110915SP	12	56	SS6090620SP	16	19
SM9061003SC	72	23	SS4110915SP	30	31	SS6090620SP	58	28
SM9061203SE	54	26	SS4110915SP	38	39	SS6090620SP	82	32
SM9061853SR	54	9	SS4110915SP	52	7	SS6090810SP	20	56
SM9061853SR	102	16	SS4110915SP	64	65	SS6090810SP	22	56
SM9081423SE	72	24	SS4110915SP	94	13	SS6090810SP	82	14
SQ0000401MZ	94	27	SS4111015SP	6	15	SS6110510SP	60	50
SQ1110402MZ	34	34	SS4111415SP	34	18	SS6110610TP	92	15
SQ1150451MZ	6	6	SS4120615SP	2	35	SS6110810TP	80	50
SQ2060451MZ	34	36	SS4120615SP	24	34	SS6110820TP	76	8
SS1080510SP	68	8	SS4120615SP	40	59	SS6111010SP	60	49
SS1080620SP	94	23	SS4120615SP	42	25	SS6111052TP	26	31
SS1090510SP	38	27	SS4120615SP	44	24	SS6111052TP	78	32
SS1090510SP	88	17	SS4120615SP	46	35	SS6111140SP	26	58
SS1090930SP	10	31	SS4120615SP	64	71	SS6111140SP	28	58
SS1110640TP	92	16	SS4120615SP	86	14	SS6111140SP	34	25
SS1110821TP	2	12	SS4120915SP	2	41	SS6111210SP	10	38
SS1110840SP	2	27	SS4120915SP	16	46	SS6120940SP	92	3
SS1110840SP	94	16	SS4120915SP	26	17	SS6121030SN	8	35
SS2090710SP	2	33	SS4120915SP	42	39	SS6121210SP	64	67
SS2090810SP	6	17	SS4121015SP	4	47	SS6121610TP	24	15
SS2090840SP	68	6	SS4121015SP	42	38	SS6121610TP	26	28
SS2110920TP	14	24	SS4121015SP	70	72	SS6121610TP	66	28
SS2110920TP	38	46	SS4121415SP	2	26	SS6121840SP	24	28

NUMERICAL INDEX OF PARTS

PART NO	PAGE	REF NO.	PART NO	PAGE	REF NO.	PART NO	PAGE	REF NO.
SS6121860SP	24	35	SS7121410TP	26	55	SS8660970TP	14	38
SS6122030SP	68	16	SS7121410TP	28	55	SS8660970TP	56	22
SS6580752TP	4	69	SS7121410TP	76	26	SS8660970TP	58	21
SS6580752TP	26	16	SS7151120SP	10	22	SS9090610TP	14	18
SS6580752TP	62	16	SS7620750SP	18	48	SS9090610TP	42	34
SS6580752TP	76	14	SS7620750SP	24	30	SS9110620TP	42	35
SS6660710TP	26	23	SS7681650TP	10	26	SS9111010SP	72	39
SS6660710TP	30	24	SS8080410TP	62	24	SS9111013SP	72	27
SS6660710TP	40	48	SS8090670SP	4	60	SS9111510SP	88	32
SS6660710TP	94	43	SS8110422TP	30	14·15	SS9120910TP	70	73
SS7060310SP	12	57	SS8110422TP	56	8	SS9661120CP	64	54
SS7060310SP	38	24	SS8110422TP	60	56	ST9053511SR	96	32
SS7080410SP	2	28	SS8110422TP	90	48	ST9053511SR	98	
SS7080520SP	12	53	SS8110510SP	34	9	TA0800504R0	2	22
SS7090410SP	2	43	SS8110520TP	30	14·15	TA0950806R0	6	19
SS7090410SP	16	42	SS8110520TP	92	34	TA1050504R0	2	23
SS7090410SP	82	20	SS8110750SP	4	66	TA1100604R0	2	38
SS7090610SP	16	31	SS8111010TP	62	25	TA1100604R0	78	16
SS7090610SP	38	44	SS8120740SP	12	69	TA1250705R0	2	72
SS7090710SP	88	19	SS8150510TP	20	40	TA1250705R0	4	72
SS7090910SP	88	7	SS8150510TP	26	19	TA1250804R0	92	37
SS7090910TP	10	45	SS8150710SP	14	42	TA1450302R0	92	19
SS7090910TP	16	47	SS8150710SP	28	60	TA1470702R0	80	56
SS7090910TP	20	33	SS8150710SP	30	25	TA1871602R0	58	3
SS7090910TP	78	29	SS8150710SP	34	22	TA2101002R0	92	36
SS7110540SP	42	27	SS8150710SP	76	3	TA2200502R0	80	54
SS7110710SP	94	31	SS8150822TP	30	26	WP0220300SC	62	13
SS7110740TP	76	20	SS8151150SP	10	21	WP0320500SC	88	27
SS7110840SP	8	31	SS8151550SP	10	37	WP03305000E	4	70
SS7110840SP	50	2	SS8151720SP	20	39	WP0330501SB	72	25
SS7110910TP	26	29	SS8660340SP	68	20	WP0360516SD	92	32
SS7110910TP	58	24	SS8660410SP	14	43	WP0371016SD	16	43
SS7111110TP	22	50	SS8660530TP	34	27	WP0371016SD	46	13
SS7111110TP	62	11	SS8660610TP	8	29	WP0371016SD	82	21
SS7111120SP	56	6	SS8660610TP	10	30	WP0371036SD	18	52
SS7111120TP	94	44	SS8660610TP	14	37	WP0430801SC	92	18
SS7111410SP	56	32	SS8660610TP	56	20	WP0450801SD	10	39
SS7111410SP	60	55	SS8660610TP	58	19	WP0450801SD	50	3
SS7111410SP	64	51	SS8660610TP	64	57	WP0450801SD	52	6
SS7111410TP	66	31	SS8660610TP	78	45	WP0450826SC	8	20
SS7111410TP	80	58	SS8660810TP	14	44	WP0450826SC	52	8
SS7120710SP	72	7	SS8660810TP	26	25	WP0450846SP	28	56
SS7120910TP	50	5	SS8660810TP	30	29	WP0450846SP	36	61
SS7121410TP	14	9	SS8660810TP	56	21	WP0450846SP	92	24
SS7121410TP	24	33	SS8660810TP	58	20	WP0480856SP	60	51

NUMERICAL INDEX OF PARTS

PART NO	PAGE	REF NO.	PART NO	PAGE	REF NO.
WP0480856SP	66	20	WZ1052010KP	18	50
WP0480856SP	76	22	WZ1052010KP	58	30
WP0500916SD	76	33	WZ1052010KP	82	34
WP0501016SD	64	66			
WP0501016SD	88	33			
WP0510516SD	14	10			
WP0510516SD	72	41			
WP0531001SC	48	22			
WP0531001SC	50	6			
WP0612066SP	62	47			
WP0612066SP	64	47			
WP0621016SD	34	38			
WP0621016SH	38	37			
WP0621016SH	64	49			
WP0621046SP	42	18			
WP0651056SD	2	31			
WP0820526SD	68	22			
WP0871602SE	96	30			
WP0871602SE	98	19			
WP1002036SE	100	24			
WP1020616SD	16	51			
WP1020616SD	18	51			
WP1020616SD	58	29			
WP1020616SD	82	33			
WP1021016SD	18	49			
WP1302501SE	96	16			
WP1302501SE	98	16			
WP1602616SZ	44	21			
WP1602616SZ	86	16			
WP1612616SE	48	15			
WS0270002KN	38	28			
WS0310002KR	46	26			
WS0310702KS	88	26			
WS0441040KP	88	34			
WS0510002KN	48	21			
WS1002560KR	100	21			
WS1253010KN	96	17			
WS1253010KN	98	17			
WT0320002KZ	36	49			
WT0530002KS	50	4			
WZ0641510KP	2	30			
WZ0850302K0	16	17			
WZ0850302K0	72	37			
WZ0850302K0	82	27			
WZ1052010KP	16	50			