

MODEL : AMS-210EN 刺繡仕様

List No : 1570-01

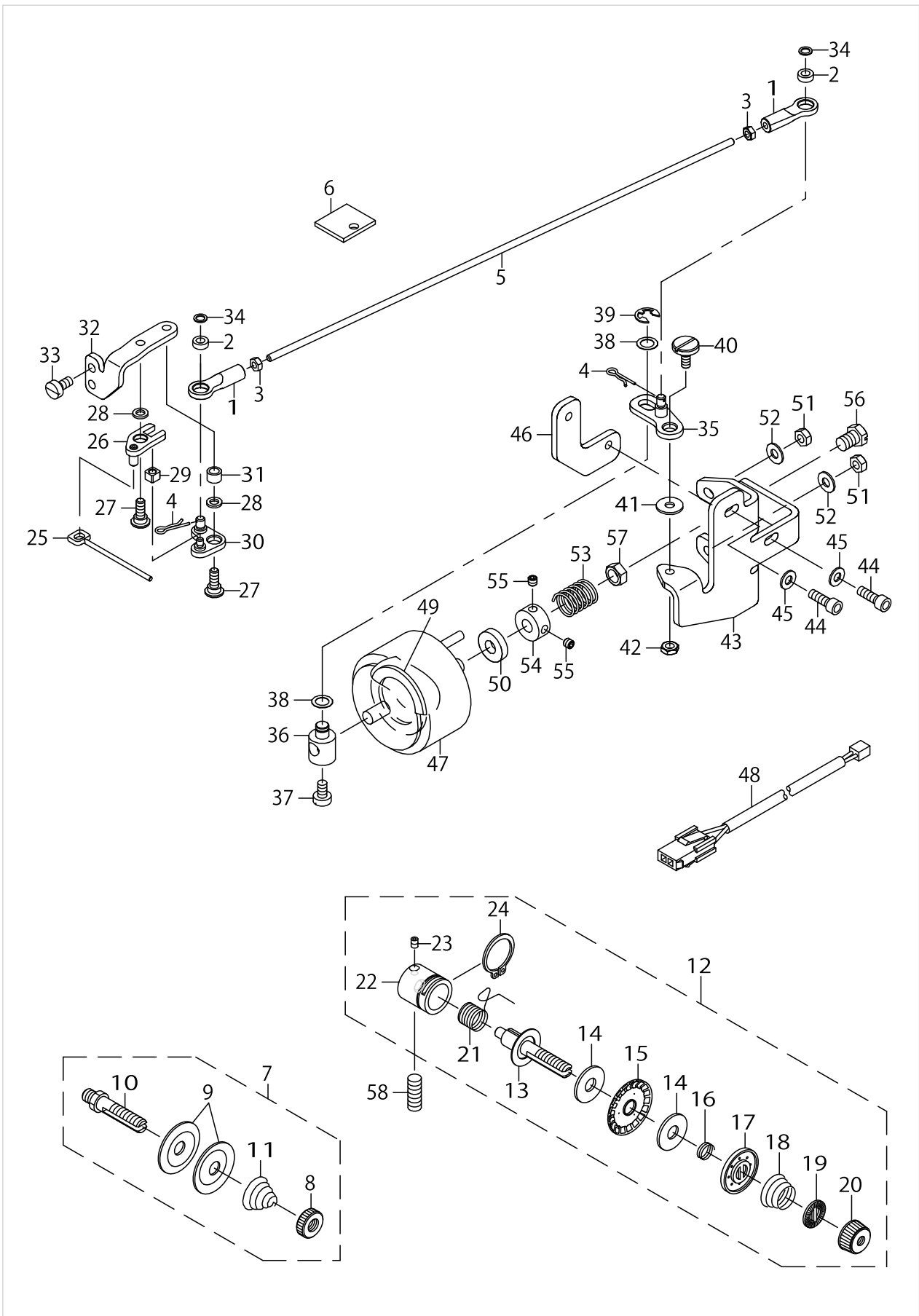
PARTS LIST

Published:09/10/2017

CONTENTS

TENSION RELEASE & THREAD TENSION COMPONENTS	1
EXCLUSIVE PARTS	5
HOW TO MAKE USE OF THIS PARTS LIST	7

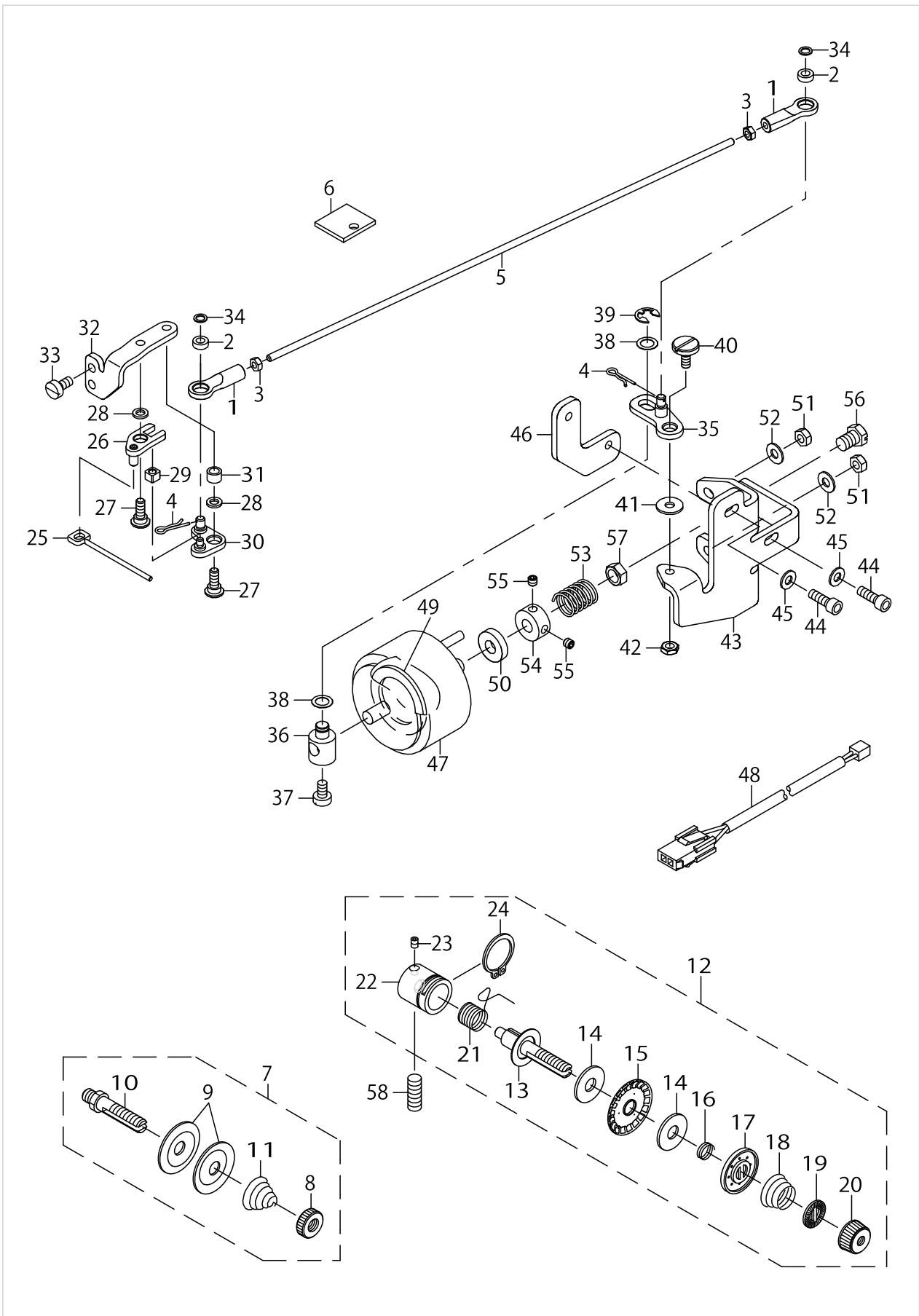
TENSION RELEASE & THREAD TENSION COMPONENTS



TENSION RELEASE & THREAD TENSION COMPONENTS

No.	Parts No.	Parts name	Remarks	Level	Cons	Qty
1	40010497	AT_JOINT				2
2	40010498	AT_JOINT_BEARING				2
3	40010499	AT_JOINT_NUT				2
4	40006622	AT_SNAP_PIN				2
5	40023997	AT_CONNECTION_BAR				1
6	40013967	AT FELT				1
7	40010503	THREAD_TENSION_1_ASM				1
8	22928808	NUT		*		1
9	22921506	THREAD TENSION DISK		*		2
10	40010504	THREAD_TENSION_SHAFT		*		1
11	26218602	FIRST THREAD TENSION SPRING		*		1
12	40101523	THREAD_TENSION_NO.2_ASM				1
13	40101540	THREAD_TENSION_POST_ASM		*		1
14	22528509	FELT		*		2
15	23547557	THREAD TENSION T COMPL.		*		1
16	D2304212T0T	IDLING PREVENTION SPRING		*		1
17	10006005	TENSION DISC HOLDER		*		1
18	B3129012B00	THREAD TENSION SPRING		*		1
19	B3120125000	ROTATING STOPPER		*		1
20	B3116125000	TENSION NUT		*		1
21	22921605	THREAD TAKE-UP SPRING		*		1
22	40010510	THREAD_TENSION_POST_BASE		*		1
23	40010478	AT_SOL_COLLAR_SCREW		*		1
24	40010523	POST_BASE_C_RING		*		1
25	40101524	THREAD_TENSION_SHAFT				1
26	40101525	LINK_A_ASM				1
27	40101527	SHOULDER_SCREW				2
28	10523702	WASHER				2
29	40101528	SLIDE_BLOCK				1
30	40101529	LINK_B_ASM				1
31	B1633210000	ROLLER				1
32	40101532	PIVOT_BASE				1
33	SM6040860TP	SCREW M4 L=8				2
34	40010489	AT_PIVOT_SCREW_WASHER				2
35	40101533	LINK_C_ASM				1
36	40086711	SORENOID_PIN				1
37	SS6110710TP	SCREW 11/64-40 L= 6.5				1
38	10618304	VERTICAL ROLLER WASHER				2
39	RE0500000K0	E-RING				1
40	40101535	SHOULDER_SCREW				1
41	WP0431005SP	PLAIN WASHER 4.3X12X1				1
42	NM6040003SC	NUT M4				1
43	40101536	SOLENOID_INSTALLING_BASE				1
44	SM6041202TN	SCREW M4X0.7 L=12				2
45	WP0430801SC	WASHER M4				2
46	40101538	BASE_SET_PLATE				1
47	40101537	SOLENOID				1

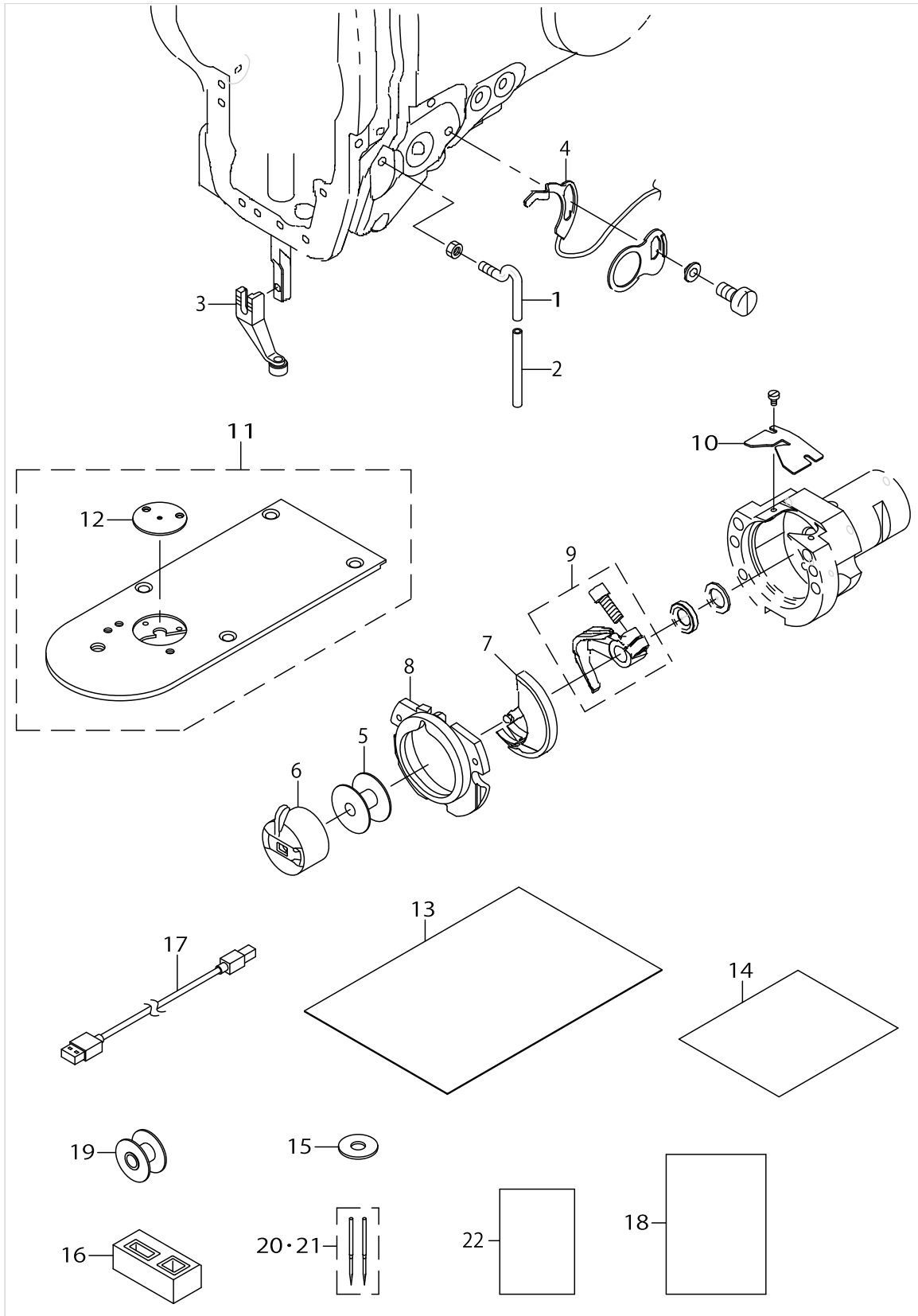
TENSION RELEASE & THREAD TENSION COMPONENTS



TENSION RELEASE & THREAD TENSION COMPONENTS

No.	Parts No.	Parts name	Remarks	Level	Cons	Qty
48	40105507	SOLENOID RELAY CORD ASM				1
49	11043205	SOLENOID RUBBER A				1
50	11043304	SOLENOID RUBBER				1
51	NM6040000SN	NUT M4				2
52	WP0430800SC	WASHER M4				2
53	40089672	SPRING				1
54	40011933	FEED_BASE_SHAFT_COLLAR				1
55	SM8040402TP	SCREW M4X0.7 L=4				2
56	SS9660940TP	SCREW 1/4-40 L=8.5				1
57	NS6660430SP	NUT 1/4-40				1
58	SM8061612TP	SCREW M6X16				1

EXCLUSIVE PARTS



EXCLUSIVE PARTS

No.	Parts No.	Parts name	Remarks	Level	Cons	Qty
1	40010571	L_SHAPED_THREAD_GUIDE_A				1
2	BT0400251EB	URETHANE HOSE, BLACK				0.04
3	D1601D10TATA	INTERMEDIATE PRESSER ASM.				1
4	40101862	THB SENSOR CABLE ASM.				1
5	13812102	BOBBIN				1
6	B18289800BB	BOBBIN CASE ASM. (RACING PREVENTION)				1
7	40006580	SHUTTLE				1
8	14103253	INNER HOOK PRESSER ASM., A				1
9	40011512	DRIVER_ASM				1
10	D1815212T0T	SPRING				1
11	40101522	NEEDLE_PLATE_ASM.				1
12	B242621000C	NEEDLE HOLE GUIDE D=1.6		*		1
13	B2564223C00	SPONGE	ACCESSORY			1
14	G6343870000	SHEET	ACCESSORY			1
15	22528509	FELT	ACCESSORY			2
16	40101539	CABEL_CONNECTING_BASE	ACCESSORY			1
17	40101980	USB CABLE	ACCESSORY			1
18	40101931	AMS-210EN 7450 MANUAL	ACCESSORY			1
19	13812102	BOBBIN	ACCESSORY			1
20	MDP170B1102	NEEDLE DPX17#11-2	ACCESSORY			1
21	MDP170B0902	NEEDLE DPX17#9-2	ACCESSORY			1
22	40101930	PM-3	OPTIONAL PARTS			1

HOW TO MAKE USE OF THIS PARTS LIST

1.As to "#01" and "#02" refer to the "Note" given at the bottom of the respective pages.

2.Codes on the "Qty" column

- Each numeral indicates the number of parts required.
- "0.1" and "2.5" indicate the length (in meters) of the respective parts.

3.Parentheses mean that the corresponding part is a subpart that constructs an assembly part.

4.Dotted lines on the Figures indicate assembly parts.

1. リストページの# 0 1、# 0 2の印は、ページ下の"注記"の説明を参照下さい。
2. 数量欄の数字は、個数を表し、0. 1、2. 5等の数値は、長さ（単位メートル）を表します。
3. 数量欄の（ ）は、組部品を構成している子部品であることを意味します。
4. イラストページの-----枠は、組構成であることを意味します。

NUMERICAL INDEX OF PARTS

PART NO	PAGE	REF NO.	PART NO	PAGE	REF NO.
10006005	2	17	40101539	6	16
10523702	2	28	40101540	2	13
10618304	2	38	40101862	6	4
11043205	4	49	40101930	6	22
11043304	4	50	40101931	6	18
13812102	6	19	40101980	6	17
14103253	6	8	40105507	4	48
22528509	2	14	B1633210000	2	31
22528509	6	15	B18289800BB	6	6
22921506	2	9	B242621000C	6	12
22921605	2	20·21	B2564223C00	6	13
22928808	2	8	B3116125000	2	20·21
23547557	2	15	B3120125000	2	19
26218602	2	11	B3129012B00	2	18
40006580	6	7	BT0400251EB	6	2
40006622	2	4	D1601D10TATA	6	3
40010478	2	23	D1815212T0T	6	10
40010489	2	34	D2304212T0T	2	16
40010497	2	1	G6343870000	6	14
40010498	2	2	MDP170B0902	6	20·21
40010499	2	3	MDP170B1102	6	20·21
40010503	2	7	NM6040000SN	4	51
40010504	2	10	NM6040003SC	2	42
40010510	2	22	NS6660430SP	4	57
40010523	2	24	RE0500000K0	2	39
40010571	6	1	SM6040860TP	2	33
40011512	6	9	SM6041202TN	2	44
40011933	4	54	SM8040402TP	4	55
40013967	2	6	SM8061612TP	4	58
40023997	2	5	SS6110710TP	2	37
40086711	2	36	SS9660940TP	4	56
40089672	4	53	WP0430800SC	4	52
40101522	6	11	WP0430801SC	2	45
40101523	2	12	WP0431005SP	2	41
40101524	2	25			
40101525	2	26			
40101527	2	27			
40101528	2	29			
40101529	2	30			
40101532	2	32			
40101533	2	35			
40101535	2	40			
40101536	2	43			
40101537	2	47			
40101538	2	46			