

MODEL : AK-143

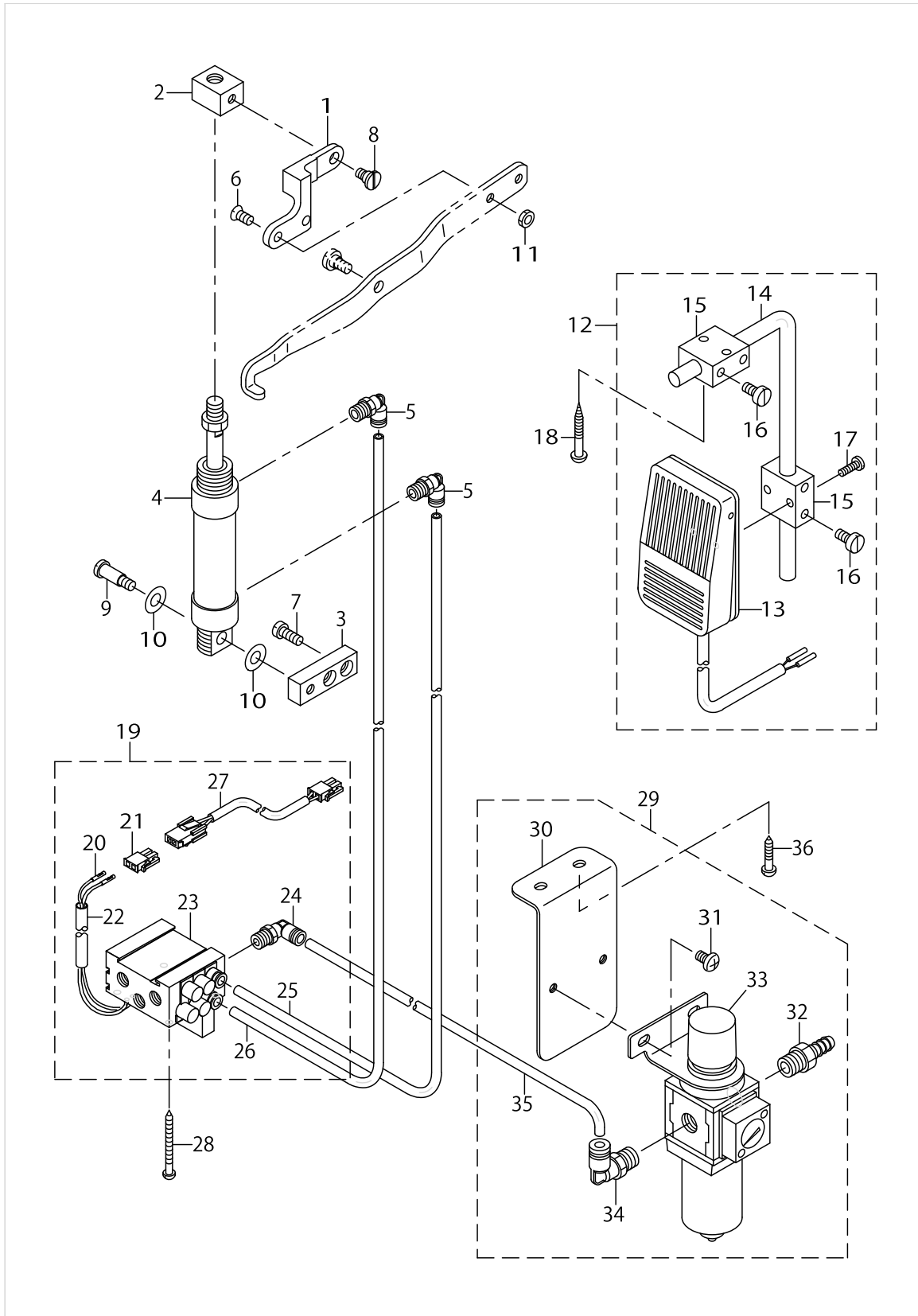
List No : 1568-00

PARTS LIST

Published:09/10/2017

CONTENTS

AK-143	1
HOW TO MAKE USE OF THIS PARTS LIST	3



AK-143

No.	Parts No.	Parts name	Remarks	Level	Cons	Qty
1	GAK70001000	AUTOMATIC LIFTING ARM				1
2	GAK29003000	CYLINDER BLOCK				1
3	GAK70002000	CYLINDER BASE				1
4	GAK29013000	CYLINDER				1
5	GAK29010000	ELBOW B				2
6	SS1151310TP	SCREW				2
7	SS6151440SP	SCREW 15/64-28 L=14				2
8	SD0790433TP	HINGE SCREW D=7.94 H=4.3				1
9	GAK70003000	HINGE SCREW				1
10	WP0850002SP	WASHER 8.5X18X1.6				2
11	NS6150310SP	NUT 15/64-28				2
12	40025036	KNEE SWITCH ASM.	FOR AK-143C			1
13	40025035	KNEE SWITCH ASM.		*		1
14	MAT80231T00	DRIVING BAR, T002		*		1
15	MAT80230T00	KNEE SWITCH SUPPORT BASE		*		2
16	SS6151220SP	SCREW 15/64-28 L=11.5		*		4
17	SS7111410SP	SCREW 11/64-40 L=14		*		2
18	SK3514000SC	WOOD SCREW D=5.1 L=40	FOR AK-143C			2
19	40103004	AIR APPARATUS ASM.				1
20	HK03464000A	TERMINAL, FEMALE		*		2
21	HK034610020	2-POLE NYLON PLUG		*		1
22	GAKA1503000	INSULATION TUBE		*		0.2
23	40038904	MAGNETIC VALVE(P)		*		1
24	GAK29010000	ELBOW B		*		1
25	BT0600401EB	TUBE		*		1.3
26	BT0600401EB	TUBE		*		1.3
27	GAKA14020A0	CORD ASM.		*		1
28	SK3385001SE	WOOD SCREW D=3.8 L=50				4
29	40038722	FILTER REGULATOR ASM.				1
30	40038723	FILTER REGULATOR MOUNTING PLATE		*		1
31	SM4061001SB	SCREW M6 L=10		*		2
32	GAK29011000	NIPPLE		*		1
33	PF0552170A0	FILTER REGULATOR		*		1
34	GAK29009000	ELBOW		*		1
35	BT0600401EB	TUBE		*		0.28
36	SK3482501SE	WOOD SCREW D=4.8 L=25				2

HOW TO MAKE USE OF THIS PARTS LIST

1.As to "#01" and "#02" refer to the "Note" given at the bottom of the respective pages.

2.Codes on the "Qty" column

- Each numeral indicates the number of parts required.
- "0.1" and "2.5" indicate the length (in meters) of the respective parts.

3.Parentheses mean that the corresponding part is a subpart that constructs an assembly part.

4.Dotted lines on the Figures indicate assembly parts.

1. リストページの# 0 1、# 0 2の印は、ページ下の"注記"の説明を参照下さい。
2. 数量欄の数字は、個数を表し、0. 1、2. 5等の数値は、長さ（単位メートル）を表します。
3. 数量欄の（ ）は、組部品を構成している子部品であることを意味します。
4. イラストページの-----枠は、組構成であることを意味します。

NUMERICAL INDEX OF PARTS

PART NO	PAGE	REF NO.
40025035	2	13
40025036	2	12
40038722	2	29
40038723	2	30
40038904	2	23
40103004	2	19
BT0600401EB	2	35
GAK29003000	2	2
GAK29009000	2	34
GAK29010000	2	24
GAK29011000	2	32
GAK29013000	2	4
GAK70001000	2	1
GAK70002000	2	3
GAK70003000	2	9
GAKA14020A0	2	27
GAKA1503000	2	22
HK034610020	2	21
HK03464000A	2	20
MAT80230T00	2	15
MAT80231T00	2	14
NS6150310SP	2	11
PF0552170A0	2	33
SD0790433TP	2	8
SK3385001SE	2	28
SK3482501SE	2	36
SK3514000SC	2	18
SM4061001SB	2	31
SS1151310TP	2	6
SS6151220SP	2	16
SS6151440SP	2	7
SS7111410SP	2	17
WP0850002SP	2	10