

MODEL : DLN-9010A

List No : 1561-02

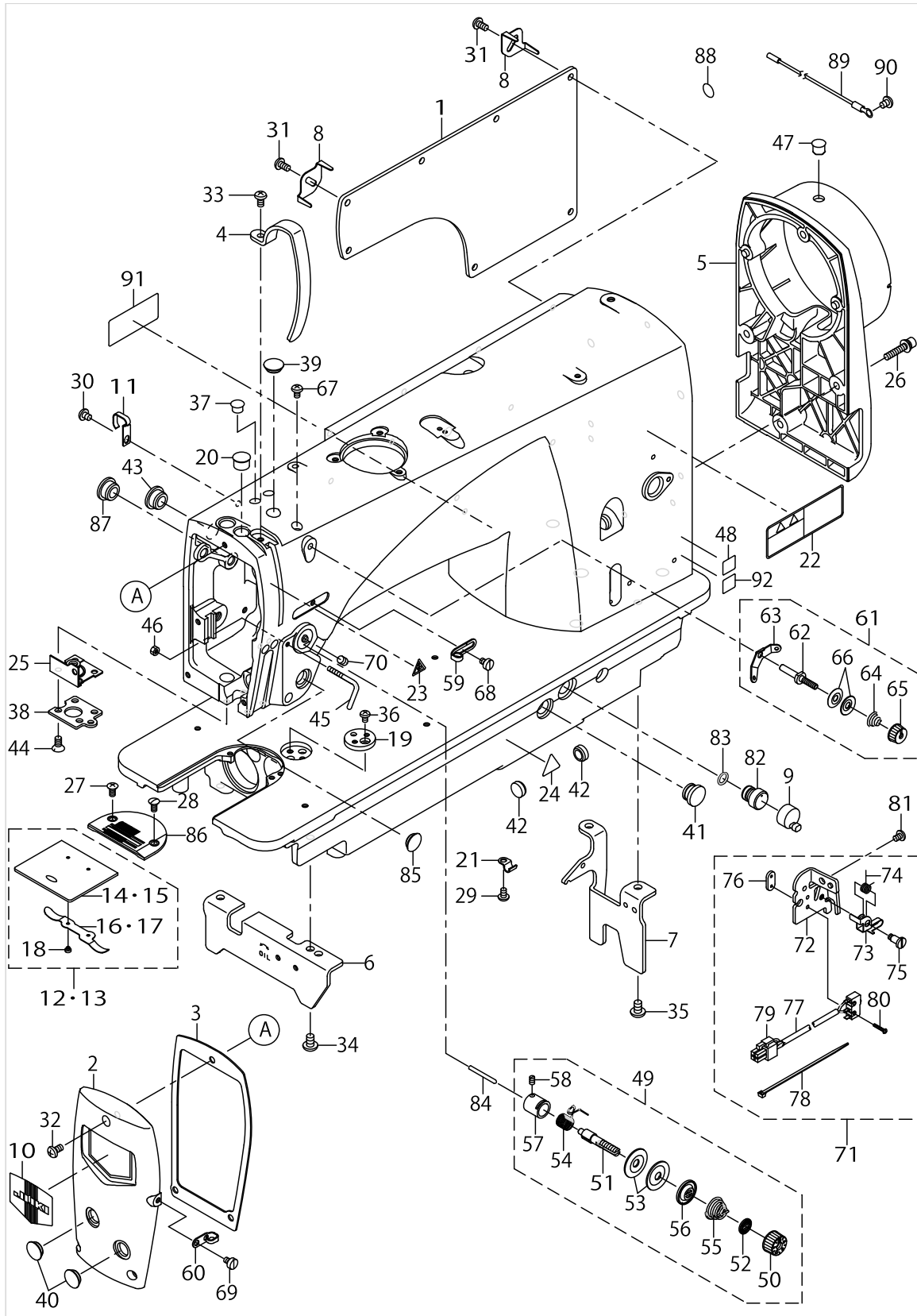
PARTS LIST

Published:09/10/2017

CONTENTS

MACHINE FRAME & MISCELLANEOUS COVER COMPONENTS	1
BOBBIN WINDER COMPONENTS.....	5
MAIN SHAFT & NEEDLE BAR COMPONENTS.....	7
HAND LIFTER & TENSION RELEASE COMPONENTS.....	9
FEED ADJUST MECHANISM COMPONENTS	13
HORIZONTAL FEED & VERTICAL FEED AND HOOK DRIVING SHAFT COMPONENTS.....	17
THREAD TRIMMER COMPONENTS	21
NEEDLE BAR FRAME COMPONENTS.....	25
OIL LUBRICATION COMPONENTS	27
AUTOMATIC REVERSE FEED COMPONENTS.....	31
WIPER COMPONENTS.....	33
THREAD STAND COMPONENTS.....	35
UNDER COVER COMPONENTS	37
ACCESSORIE PARTS COMPONENTS	39
EXCLUSIVE PARTS FOR DLN-9010ASH-WB, -0B.....	41
EXCLUSIVE PARTS FOR DLN-9010ASB-WB, -0B.....	45
TABLE & STAND COMPONENTS.....	47
LIST FOR INFORMATION OF CHANGE.....	49
HOW TO MAKE USE OF THIS PARTS LIST	50

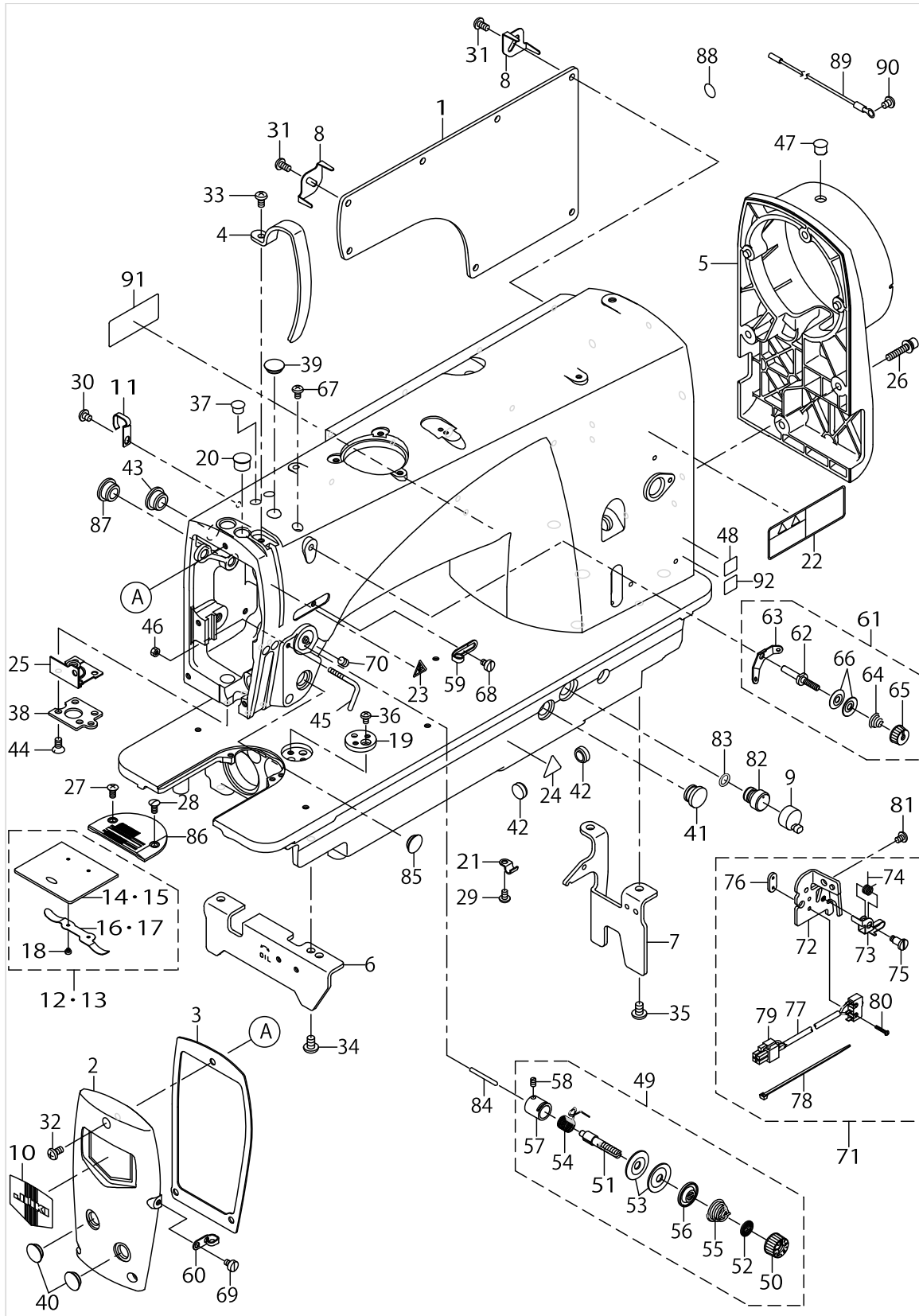
MACHINE FRAME & MISCELLANEOUS COVER COMPONENTS



MACHINE FRAME & MISCELLANEOUS COVER COMPONENTS

No.	Parts No.	Parts name	Remarks	Level	Cons	Qty
1	23600208	SIDE PLATE				1
2	40000209	FACE PLATE				1
3	40000210	FACE PLATE PACKING				1
4	23600505	THREAD TAKE-UP LEVER COVER				1
5	23600604	PULLEY COVER				1
6	23600703	BED STUD A				1
7	23600802	BED STUD B				1
8	22954705	CORD FIXING METAL FITTING				2
9	23601305	AIR-DISCHARGING CAP				1
10	22902506	FACE PLATE				1
11	40022407	CORD HOLDER				1
12	22901250	SLIDE PLATE ASM.	FOR JE,JA			1
13	22902753	SLIDE PLATE ASM.	FOR GENERAL EXPORT			1
14	22901201	SLIDE PLATE	FOR JE,JA	*		1
15	22902704	SLIDE PLATE	FOR GENERAL EXPORT	*		1
16	22901300	SLIDE PLATE SPRING	FOR JE,JA	*		1
17	22901300	SLIDE PLATE SPRING	FOR GENERAL EXPORT	*		1
18	SS6060210SP	SCREW 3/32-56 L=1.9		*		2
19	40035589	RULER PLATE				1
20	TA1250804R0	RUBBER PLUG				1
21	B3538112000	OIL RETURN TUBE HOLDER				1
22	CM301300001	SAFETY LABEL				1
23	CM300200001	ATTENTION SEAL				1
24	CM300200003	ATTENTION LABEL				1
25	40000212	PRESSING PLATE PACKING				1
26	SL6052592TN	BOLT				4
27	SS2110915SP	SCREW 11/64-40 L=8.5			☆	1
28	SS2110920TP	SCREW 11/64-40 L=8.5			☆	1
29	SS4110715SP	SCREW 11/64-40 L=7				1
30	SS4120615SP	SCREW 3/16-28 L=6	FOR DLN-9010SS,ASH (-0B)			1
31	SS4120915SP	SCREW 3/16-28 L=9				7
32	SS4120915SP	SCREW 3/16-28 L=9				3
33	SS4120915SP	SCREW 3/16-28 L=9				1
34	SS4150915SP	SCREW 15/64-28 L=9				2
35	SS4150915SP	SCREW 15/64-28 L=9				2
36	SM4040655SP	SCREW M4 L=6				1
37	TA0850604R0	RUBBER PLUG				1
38	11300407	PRESSER BAR SUPPORT				1
39	TA1250406R0	RUBBER PLUG D=12.5 L=4				1
40	TA1250406R0	RUBBER PLUG D=12.5 L=4				2
41	TA1250705R0	RUBBER PLUG				1
42	TA1270502R0	RUBBER PLUG				2
43	TA1470704R0	RUBBER PLUG				1
44	SS1120710SP	SCREW 3/16-28 L=6.7				4
45	22972608	ARM THREAD GUIDE C				1
46	NS6090310SP	NUT 9/64-40				1
47	TA0950806R0	RUBBER PLUG				1

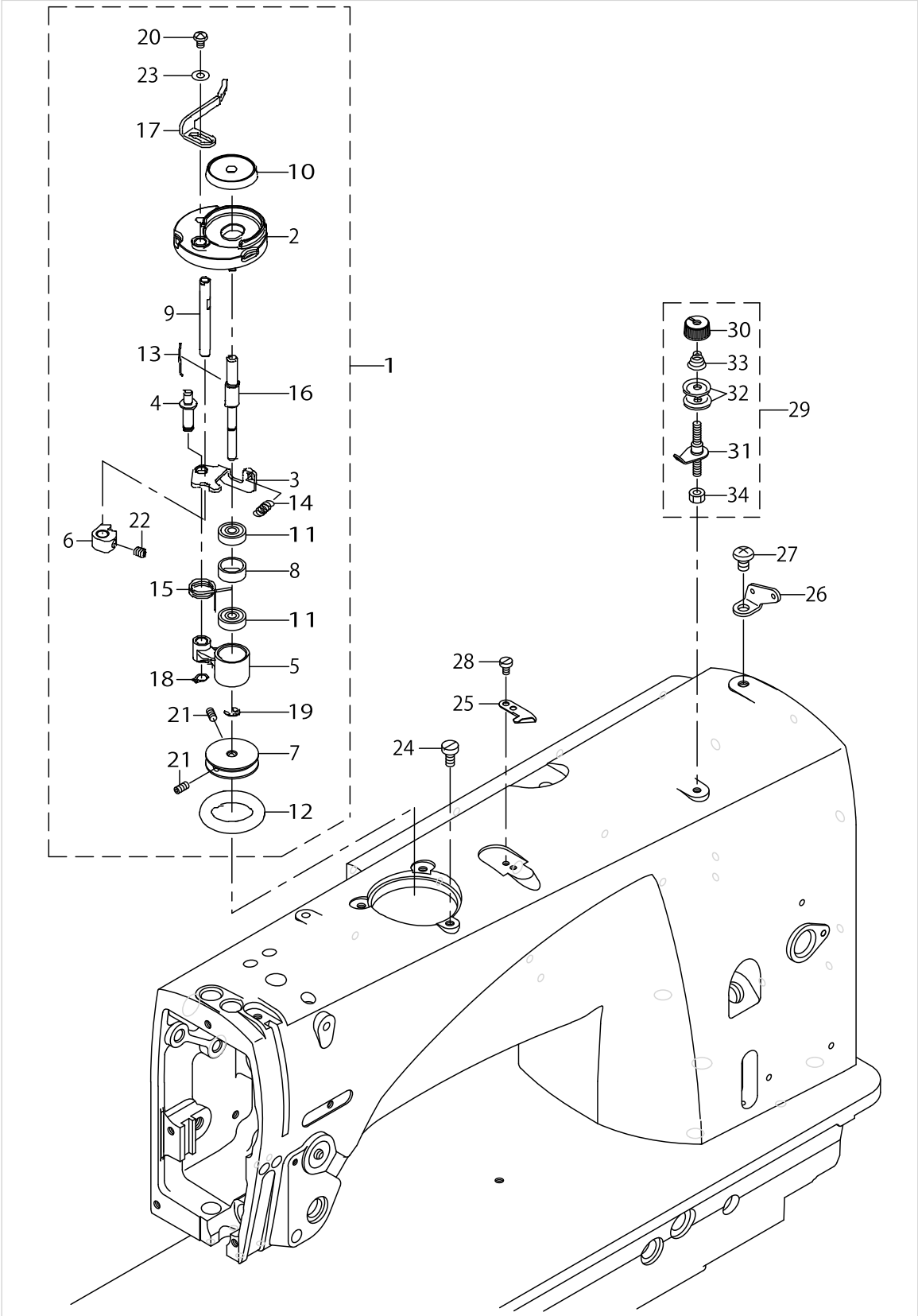
MACHINE FRAME & MISCELLANEOUS COVER COMPONENTS



MACHINE FRAME & MISCELLANEOUS COVER COMPONENTS

No.	Parts No.	Parts name	Remarks	Level	Cons	Qty
48	CM600100101	WEEE MARK LABEL S	FOR JE			1
49	23626054	THREAD TENSION ASM.				1
50	23626005	THREAD TENSION NUT		*		1
51	22921209	THREAD TENSION POST		*		1
52	22921407	ROTATION STOPPER		*		1
53	22921506	THREAD TENSION DISK		*		2
54	22921605	THREAD TAKE-UP SPRING		*	☆	1
55	22921704	THREAD TENSION SPRING, A		*		1
56	22921803	DISK STOPPER		*		1
57	22945307	THREAD TENSION POST BASE		*		1
58	SS8090670SP	SCREW 9/64-40 L=5.5		*		1
59	23626104	ARM THREAD GUIDE A				1
60	22920607	ARM THREAD GUIDE B				1
61	22945463	THREAD TENSION ASM. ,NO.1				1
62	22945414	THREAD TENSION POST		*		1
63	22945604	THREAD TENSION GUIDE		*		1
64	22945505	THREAD TENSION SPRING		*		1
65	22945703	THREAD TENSION NUT		*		1
66	22945802	THREAD TENSION DISK		*		2
67	SS4110715SP	SCREW 11/64-40 L=7				1
68	SS6110610TP	SCREW 11/64-40 L=6				1
69	SS6110610TP	SCREW 11/64-40 L=6				1
70	SS8150710TP	SCREW 15/64-28 L=7				1
71	40098777	SAFETY SWITCH ASM.				1
72	23638000	SAFETY SWITCH BASE		*		1
73	23638109	SAFETY SWITCH ARM		*		1
74	23638208	SAFETY SWITCH SPRING		*		1
75	23638307	SAFETY SWITCH ARM SHAFT		*		1
76	23638406	SAFETY SWITCH NUT		*		1
77	40098386	SAFETY_SWITCH_CORD_ASM.		*		1
78	EA9500B0100	CABLE BAND		*		1
79	HK034610040	HOUSING		*		1
80	SM4021201SC	SCREW M2 L=12		*		2
81	SS4110615SP	SCREW 11/64-40 L=6				1
82	23629900	AIR-DISCHARGING				1
83	RO080150200	RUBBER RING				1
84	B3118552I00	TENSION RELEASING PIN I			☆	1
85	TA1250406R0	RUBBER PLUG D=12.5 L=4				1
86	11300308	THROAT PLATE				1
87	TA1470704R0	RUBBER PLUG				1
88	22901805	GROUND MARK	FOR JE,JA			1
89	23601057	EARTH CORD ASM.	FOR JE,JA			1
90	SS4120615SP	SCREW 3/16-28 L=6	FOR JE,JA			1
91	40094561	SEWING MACHINE LABEL (EU)	FOR JE			1
92	40150131	EAC_MARK_LABEL_S	FOR JE			1

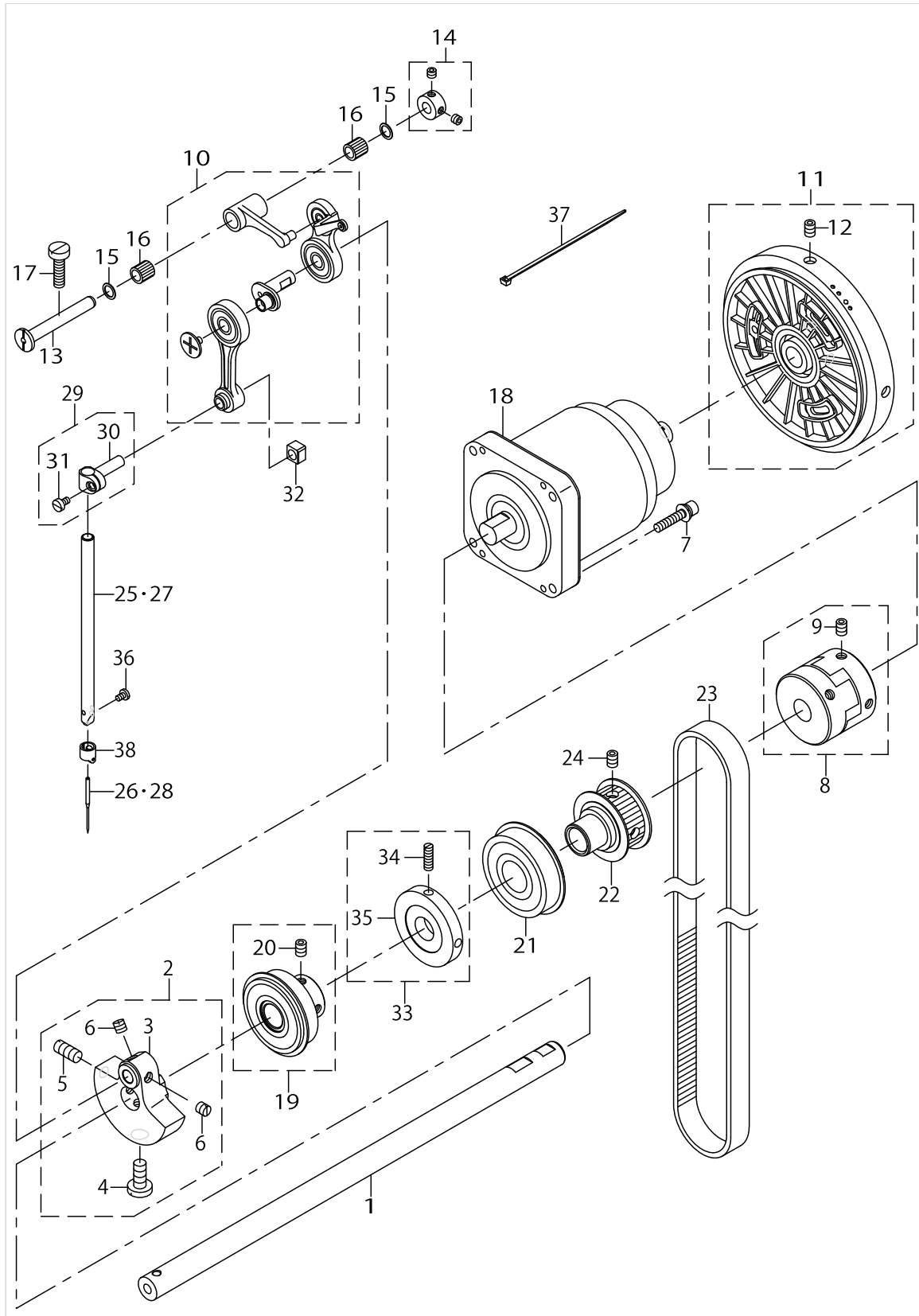
BOBBIN WINDER COMPONENTS



BOBBIN WINDER COMPONENTS

No.	Parts No.	Parts name	Remarks	Level	Cons	Qty
1	40023021	BOBBIN WINDER UNIT				1
2	26260109	BTW_BASE		*		1
3	26260208	BTW_CAM_PLATE		*		1
4	26260307	BTW_BASE_SHAFT		*		1
5	26260406	BTW_SHAFT_BASE		*		1
6	26260505	BTW_CAM_LEVER		*		1
7	26260604	BTW_WHEEL		*		1
8	26260802	BTW_BEARING_SPACER		*		1
9	26261008	BTW_LEVER_SHAFT		*		1
10	26261206	BTW_SPACER		*	☆	1
11	26261305	BTW_BEARING		*		2
12	26261503	BTW_WHEEL_RUBBER		*	☆	1
13	26261602	BOBBIN_SPRING		*	☆	1
14	26261701	BTW_SPRING		*		1
15	40011144	BTW_TORSION_SPRING		*		1
16	40014837	BTW_SHAFT		*		1
17	40023022	BTW LEVER		*		1
18	RC0560711KP	RETAINING RING		*		1
19	RE0400000K0	E-RING 4		*		1
20	SM5040655SN	SCREW		*		1
21	SM8040802TP	SCREW M4X8		*		2
22	SM8050502TP	SCREW M5 L=5		*		1
23	WP0450826SC	WASHER 4.5X10X0.8		*		1
24	SS6121030SN	SCREW 3/16-28 L=10				3
25	10502300	THREAD CUTTER			☆	1
26	40023291	THREAD GUIDE NO.1				1
27	SS4150915SP	SCREW 15/64-28 L=9				1
28	SS6090620TP	SCREW				2
29	23636657	BOBBIN THREAD TENSION ASM.				1
30	11072402	THREAD TENSION NUT		*		1
31	14113450	BOBBIN THREAD TENSION ROD ASM.		*		1
32	B3126012000	THREAD TENSION DISK		*		2
33	D7133555B00	CONNECTING ROD SPRING		*		1
34	NS6110530SP	NUT 11/64-40		*		1

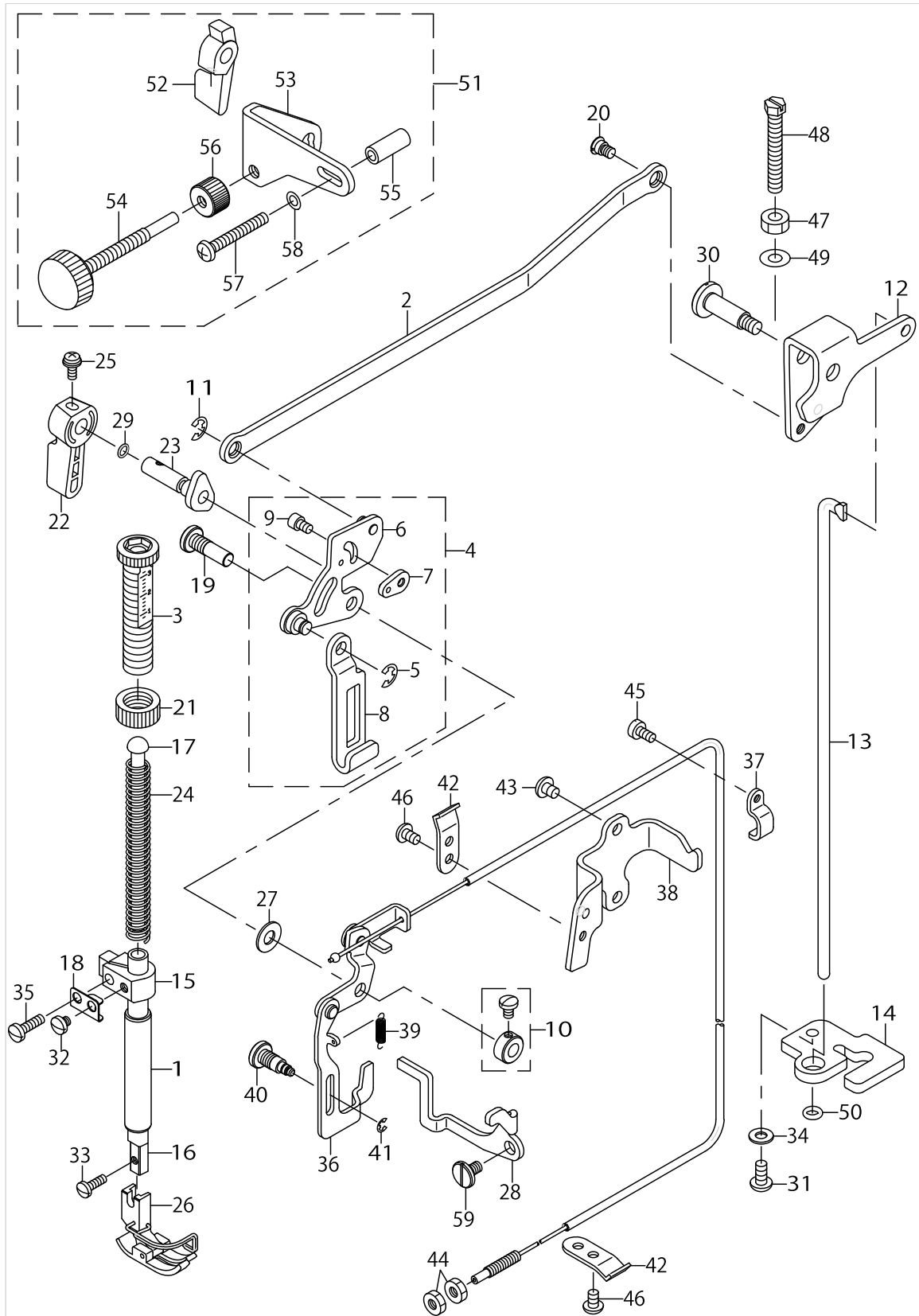
MAIN SHAFT & NEEDLE BAR COMPONENTS



MAIN SHAFT & NEEDLE BAR COMPONENTS

No.	Parts No.	Parts name	Remarks	Level	Cons	Qty
1	23604010	MAIN SHAFT				1
2	23604168	COUNTER WEIGHT ASM.				1
3	23604119	COUNTER WEIGHT		*		1
4	SS7681650TP	SCREW 9/32-28 L=16		*		1
5	SS8681650TP	SCREW 9/32-28 L=16		*		1
6	SS8660610TP	SCREW 1/4-40 L=6		*		2
7	SL6052592TN	BOLT				4
8	40051473	COUPLING ASM.				1
9	SM80608A2TP	SCREW M6 L=8		*		4
10	40000270	THREAD TAKE-UP COMPL.				1
11	40044906	HAND WHEEL ASM.				1
12	SM80608A2TP	SCREW M6 L=8		*		2
13	23622400	THREAD TAKE-UP CRANK SHAFT				1
14	40010434	THRUST_COLLAR_ASM.				1
15	22891204	BEARING SUPPORT				2
16	SB307000200	BEARING				2
17	SS6151920TP	SCREW 15/64-28 L=19.0				1
18	40089196	IPM_MOTOR				1
19	23605256	BEARING COMPL.				1
20	SM80608A2TP	SCREW M6 L=8		*		2
21	SB120000800	BEARING				1
22	40039946	SPROCKET ASM.				1
23	23607302	TIMING BELT				1
24	SM80608A2TP	SCREW M6 L=8				2
25	40000221	NEEDLE BAR B	FOR DLN-9010SS (JE)			1
26	MC200500900	NEEDLE 134 90	FOR DLN-9010SS (JE)		☆	1
27	40000220	NEEDLE BAR A	FOR DLN-9010SS (GENERAL EXPORT,JA)			1
28	MDB100B1400	NEEDLE DBX1 #14	FOR DLN-9010SS (GENERAL EXPORT,JA)		☆	1
29	22906457	NEEDLE BAR HOLDER ASM.				1
30	22906408	NEEDLE ROD HOLDER		*		1
31	SS6090670TP	SCREW 9/64-40 L=6		*		1
32	B1414555000	SLIDE BLOCK				1
33	40020454	BTW DRIVING WHEEL ASM.				1
34	SM8051610SP	SCREW M5 L=16		*		2
35	40020455	BTW DRIVING WHEEL		*		1
36	SS7080510TP	SCREW 1/8-44 L=4.5			☆	1
37	EA9500B0100	CABLE BAND				2
38	B1418552A00	NEEDLE THREAD GUIDE A			☆	1

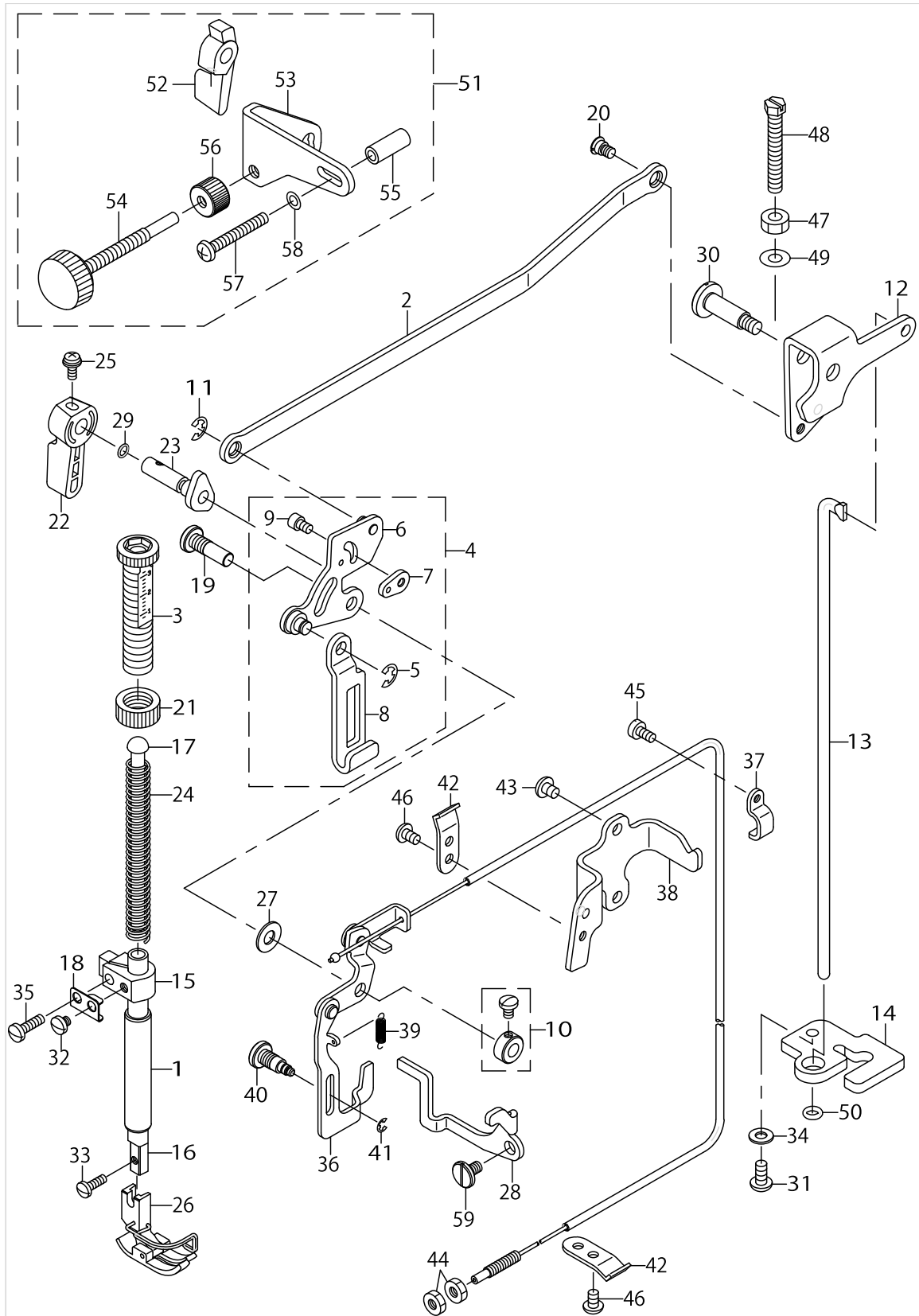
HAND LIFTER & TENSION RELEASE COMPONENTS



HAND LIFTER & TENSION RELEASE COMPONENTS

No.	Parts No.	Parts name	Remarks	Level	Cons	Qty
1	23609001	PRESSER ROD METAL				1
2	40000227	KNEE LIFTING CROSS ROD				1
3	23609209	PRESSER SPRING REGULATOR				1
4	40000228	LIFTING PLATE ASM.				1
5	RE0500000K0	E-RING 5		*		1
6	23609456	LIFTING LINK COMPL.		*		1
7	23609605	PLATE		*		1
8	40000229	LIFTING PLATE		*		1
9	SM6040602TP	SCREW M4 L=6		*		1
10	CS064061ASP	THRUST COLLAR ASM.				1
11	RE0500000K0	E-RING 5				1
12	40000230	LIFTING LEVER LINK				1
13	23609803	CONNECTING ROD				1
14	23609902	CONNECTING ROD GUIDE				1
15	40000231	PRESSER BAR GUIDE BRACKET				1
16	23610207	PRESSER BAR				1
17	23610306	PRESSER GUIDE BAR				1
18	40000232	GUIDE BRACKET PLATE				1
19	11301702	LINK SHAFT				1
20	22908909	HINGE SCREW				1
21	22907604	PRESSER SPRING REGULATOR NUT				1
22	22907802	HAND LIFTER				1
23	40000233	PRESSER LIFTER CAM COMPL.				1
24	22907406	PRESSER SPRING				1
25	B1521555000	SCREW				1
26	D1524415BBC	PRESSER FOOT ASM.				1
27	WP0651001SC	WASHER				1
28	40000333	THREAD RELEASE LINK				1
29	RO037180100	RUBBER RING				1
30	GAKA1843000	KNEE LIFTER LINK FULCRUM SHAFT				1
31	SS4121015SP	SCREW 3/16-28 L=10				1
32	SS7110410SP	SCREW 11/64-40 L=4				1
33	SS7091110TP	SCREW 9/64-40 L=10.5			☆	1
34	WP0501016SD	WASHER 5X10.5X1				1
35	SS7111410TP	SCREW 11/64-40 L=14				1
36	40000327	THREAD RELEASE WIRE ASM.				1
37	40000334	WIRE GUIDE				1
38	40000332	WIRE HOLDER BRACKET				1
39	11305901	DIFFERENTIAL PLATE SPRING				1
40	11306107	DIFFERENTIAL PLATE SHAFT				1
41	RE0300000K0	E-RING 3				1
42	22944508	WIRE PRESSER A				2
43	SS4120615SP	SCREW 3/16-28 L=6				2
44	NS6620310SP	NUT 3/16-32				2
45	SS6090810TP	SCREW 9/64-40 L=7.5				1
46	SS4110715SP	SCREW 11/64-40 L=7				2
47	NS6150310SP	NUT 15/64-28				1

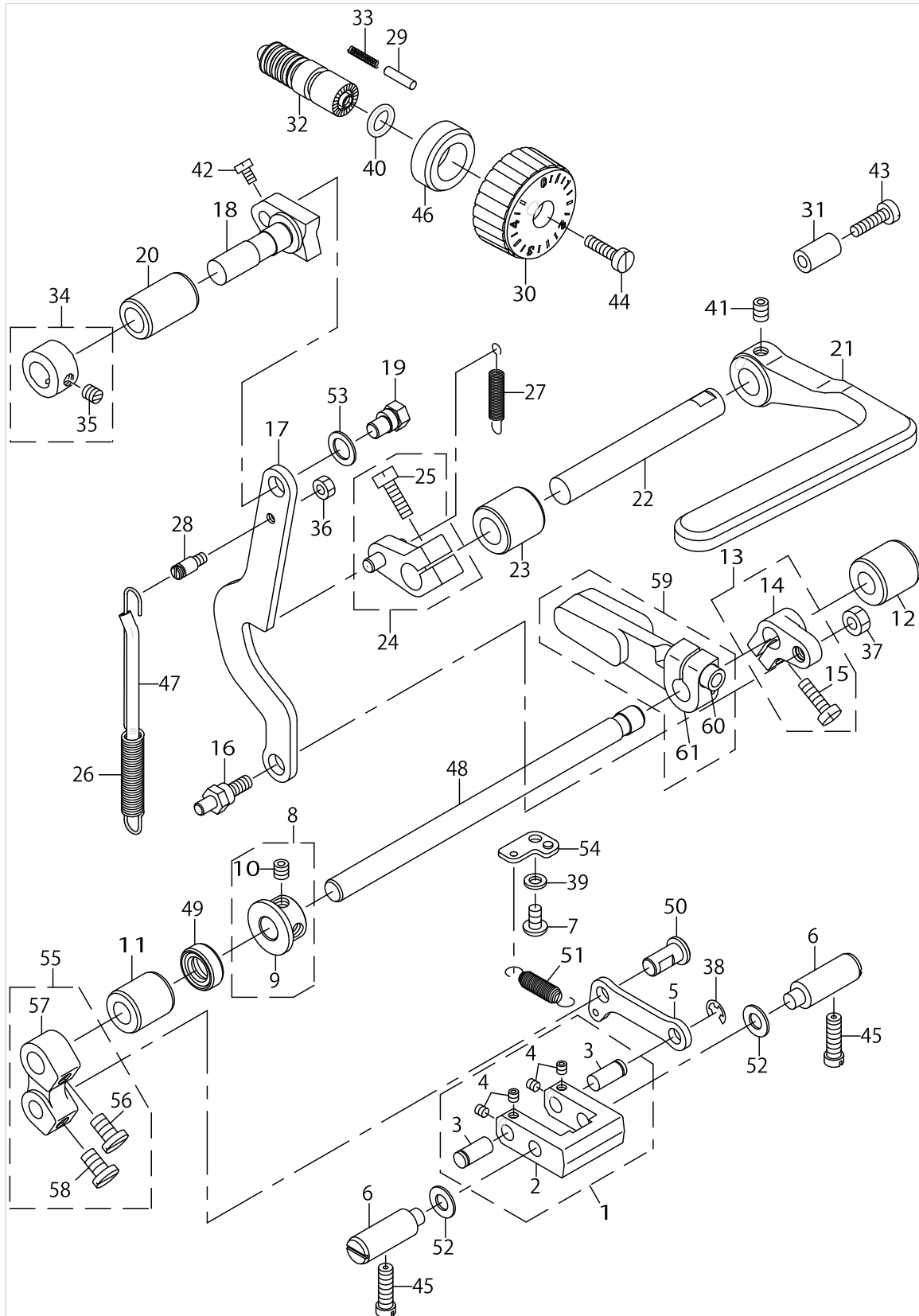
HAND LIFTER & TENSION RELEASE COMPONENTS



HAND LIFTER & TENSION RELEASE COMPONENTS

No.	Parts No.	Parts name	Remarks	Level	Cons	Qty
48	23610801	BOLT				1
49	WP0621016SD	WASHER 6.2X13X1				1
50	RO044240100	RUBBER RING				1
51	23611056	MINUTE LIFTING DEVICE ASM.	OPTIONAL PARTS			1
52	23611106	HAND LIFTER		*		1
53	23610504	STOPPER BASE		*		1
54	23610652	STOPPER SCREW ASM.		*		1
55	11244019	STOPPER COLLAR		*		1
56	23610702	STOPPER SCREW NUT		*		1
57	11433802	SET SCREW		*		1
58	WP0480856SP	WASHER 4.8X8.4X0.8		*		1
59	SD0640261SP	HINGE SCREW D=6.35 H=2.6				1

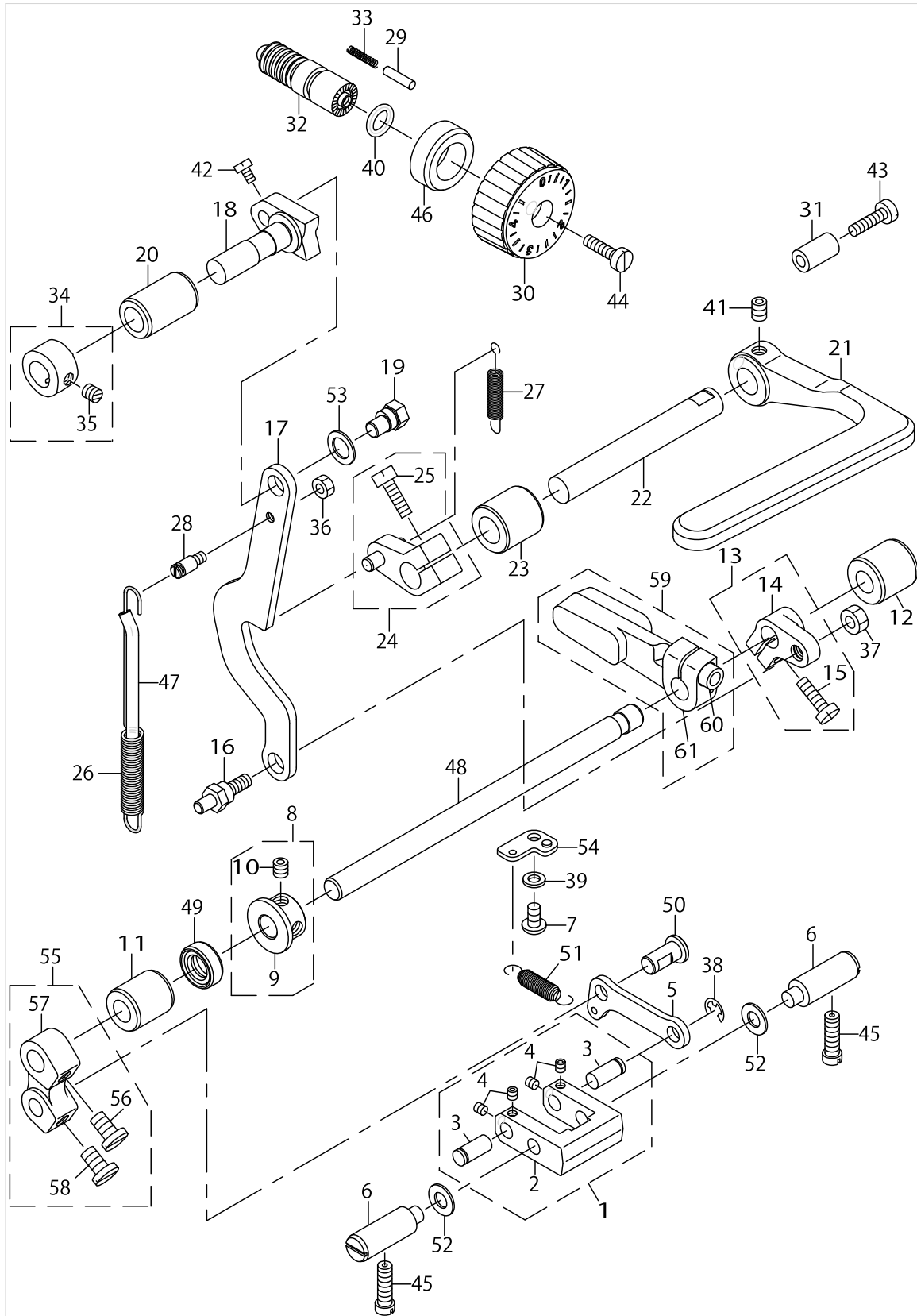
FEED ADJUST MECHANISM COMPONENTS



FEED ADJUST MECHANISM COMPONENTS

No.	Parts No.	Parts name	Remarks	Level	Cons	Qty
1	40033391	ADJUSTING LINK ASM.				1
2	40033392	ADJUSTING LINK		*		1
3	40033393	ADJUSTING LINK PIN		*		2
4	SM8040412TP	SET SCREW M4 L=4		*		4
5	40009730	ADJUSTING LINK CONNECTING LINK				1
6	40012032	ADJUSTING LINK FULCRUM SHAFT				2
7	SS4120915SP	SCREW 3/16-28 L=9				1
8	40055585	THRUST COLLAR ASM.				1
9	23612716	THRUST COLLAR		*		1
10	SS8660612TP	SCREW 1/4-40 L=6		*		2
11	23612807	METAL A				1
12	40052274	METAL B				1
13	23613052	FEED CHANGING SHAFT ARM ASM.,B				1
14	23613003	FEED CHANGING SHAFT ARM,B		*		1
15	SS6121610SP	SCREW 3/16-28 L=15.5		*		1
16	23613102	FEED CHANGING SHAFT ARM B PIN				1
17	40013470	FEED ADJUSTING ROD				1
18	23613300	FEED ADJUSTING BASE				1
19	23613409	FEED ADJUSTING PIN				1
20	23613508	ADJUSTING BASE SHAFT METAL				1
21	23613607	FEED LEVER				1
22	23613706	FEED LEVER SHAFT				1
23	23613805	FEED LEVER SHAFT METAL				1
24	23613953	FEED LEVER ARM ASM.				1
25	SS6121610SP	SCREW 3/16-28 L=15.5		*		1
26	40009727	FEED ADJUSTING SPRING				1
27	23614308	FEED LEVER SPRING				1
28	40023289	SPRING SUSPENSION				1
29	22912000	FEED REGULATOR PIN				1
30	40011723	FEED DIAL				1
31	22952501	BACK LEVER STOPPER				1
32	22911804	FEED REGULATOR SCREW				1
33	22912109	FEED REGULATOR PIN SPRING				1
34	CS111101CSH	THRUST COLLAR ASM.D=11.11 W=10				1
35	SS8660330SP	SCREW 1/4-40 L=3.0		*		2
36	NS6110310SP	NUT 11/64-40				1
37	NS6150310SP	NUT 15/64-28				1
38	RE0500000K0	E-RING 5				1
39	WS0510002KP	SPRING WASHER 5.1X9.2X1.3				1
40	RO092270200	RUBBER RING				1
41	SM80608A2TP	SCREW M6 L=8				2
42	SS6090670TP	SCREW 9/64-40 L=6				2
43	SS6121840SP	SCREW 3/16-28 L=18				1
44	SS6121860SP	SCREW 3/16-28 L=18				1
45	SS6151920TP	SCREW 15/64-28 L=19.0				2
46	23614407	FEED DIAL RUBBER				1
47	23630007	TUBE				0.09

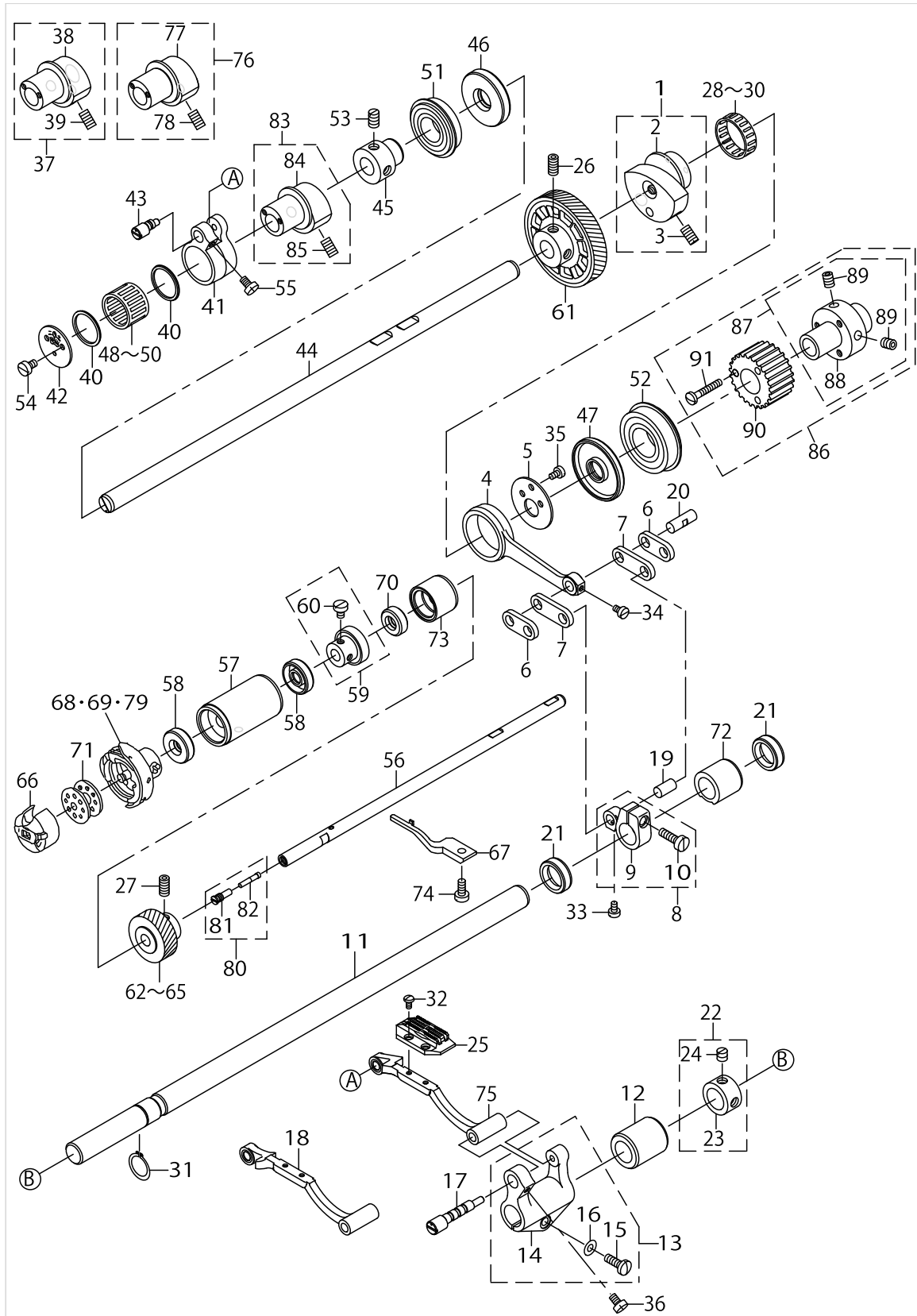
FEED ADJUST MECHANISM COMPONENTS



FEED ADJUST MECHANISM COMPONENTS

No.	Parts No.	Parts name	Remarks	Level	Cons	Qty
48	23612500	FEED CHANGING SHAFT				1
49	23612609	FEED CHANGING SHAFT OIL SEAL				1
50	40009731	CONNECTING PIN				1
51	40009724	ADJUSTING LINK SPRING				1
52	10548501	THREAD TAKE-UP CRANK SPACER				2
53	WP0951016SP	WASHER 9.53X15X1				1
54	40009789	ADJUSTING LINK SPRING HOOK				1
55	40011724	FEED CHANGING SHAFT ARM A ASM.				1
56	SS6661110SP	SCREW 1/4-40 L=11		*		1
57	40009729	FEED CHANGING SHAFT ARM A		*		1
58	SS6661110SP	SCREW 1/4-40 L=11		*		1
59	40061560	FEED_CHANGING_BALANCER_ARM_ASM.				1
60	SM6061802TP	SCREW M6 L=18		*		1
61	40061545	FEED_CHANGING_BALANCER_ARM		*		1

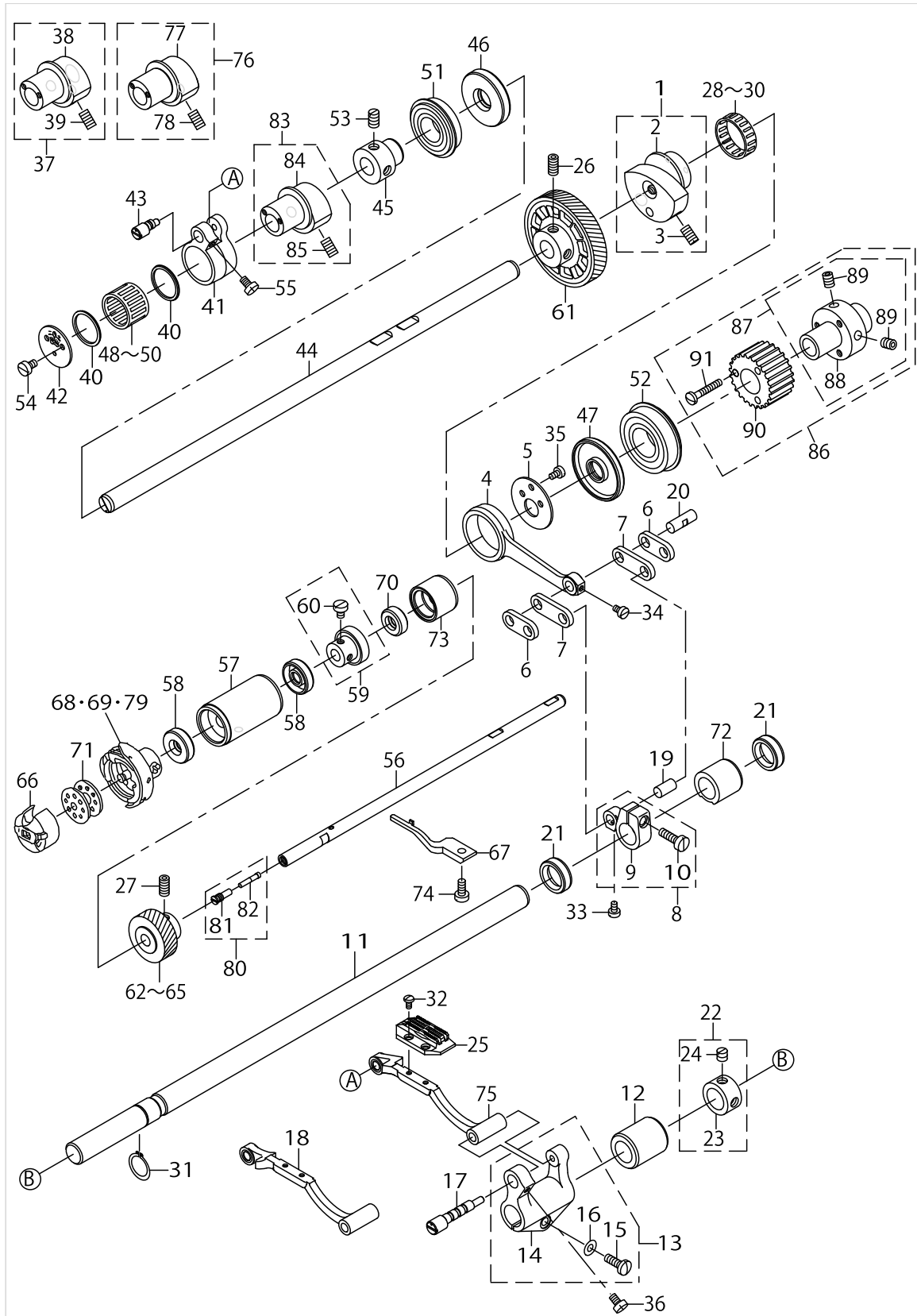
HORIZONTAL FEED & VERTICAL FEED AND HOOK DRIVING SHAFT COMPONENTS



HORIZONTAL FEED & VERTICAL FEED AND HOOK DRIVING SHAFT COMPONENTS

No.	Parts No.	Parts name	Remarks	Level	Cons	Qty
1	23616055	FEED ROCKER CAM ASM.				1
2	23616006	FEED ROCKER CAM		*		1
3	SS8151150TP	SCREW 15/64-28 L=10.5		*		2
4	23616105	FEED ROCKER ROD				1
5	23616204	FEED ROCKER CAM PLATE				1
6	23616303	CONNECTING LINK,A				2
7	23616402	CONNECTING LINK,B				2
8	23616550	FEED ROCKER ARM ASM.				1
9	23616501	FEED ROCKER ARM		*		1
10	SS6121610SP	SCREW 3/16-28 L=15.5		*		1
11	40000247	FEED ROCKER SHAFT				1
12	23616709	FEED ROCKER SHAFT METAL				1
13	23616857	FEED ROCKER BASE ARM ASM.				1
14	23616808	FEED ROCKER BASE ARM		*		1
15	SS7121410TP	SCREW 3/16-28 L=14		*		1
16	WP0480856SP	WASHER 4.8X8.4X0.8		*		1
17	23616907	FEED ROCKER BASE SHAFT				1
18	40000249	FEED BASE COMPL.	OPTIONAL PARTS			1
19	22911002	WALKING FOOT PIN B				1
20	22911101	WALKING FOOT PIN C				1
21	40029963	OIL SEAL				2
22	22904155	MAIN SHAFT THRUST COLLAR ASM.				1
23	22904106	MAIN SHAFT THRUST COLLAR		*		1
24	SS8660610TP	SCREW 1/4-40 L=6		*		2
25	D1609415B00	FEED DOG			☆	1
26	SS8661012TP	SCREW				2
27	SS8661012TP	SCREW				2
28	B412352200A	NEEDLE ROLLAR A	SELECTIVE PARTS			1
29	B412352200B	NEEDLE ROLLAR B	SELECTIVE PARTS			1
30	B412352200C	NEEDLE ROLLAR C	SELECTIVE PARTS			1
31	RC0150001KP	RETAINING RING 13.8				1
32	SS4080620TP	SCREW 1/8-44 L=6			☆	2
33	SS6090620TP	SCREW				1
34	SS6090620TP	SCREW				1
35	SS6090670TP	SCREW 9/64-40 L=6				2
36	SS7110740TP	SCREW 11/64-40 L=7				1
37	40000257	FEED DRIVING CAM ASM. 2	OPTIONAL PARTS			1
38	40000258	FEED DRIVING CAM 2		*		1
39	SS8151150TP	SCREW 15/64-28 L=10.5		*		2
40	23618101	FEED DRIVING CAM THRUST BUSH				2
41	23618200	FEED DRIVING BASE ARM				1
42	23618309	FEED DRIVING CAM PLATE				1
43	23618408	FEED DRIVING BASE SHAFT				1
44	40011711	FEED DRIVING SHAFT				1
45	23618606	BEARING SUPPORT				1
46	23618705	OIL SEAL				1
47	23618804	OIL SEAL				1

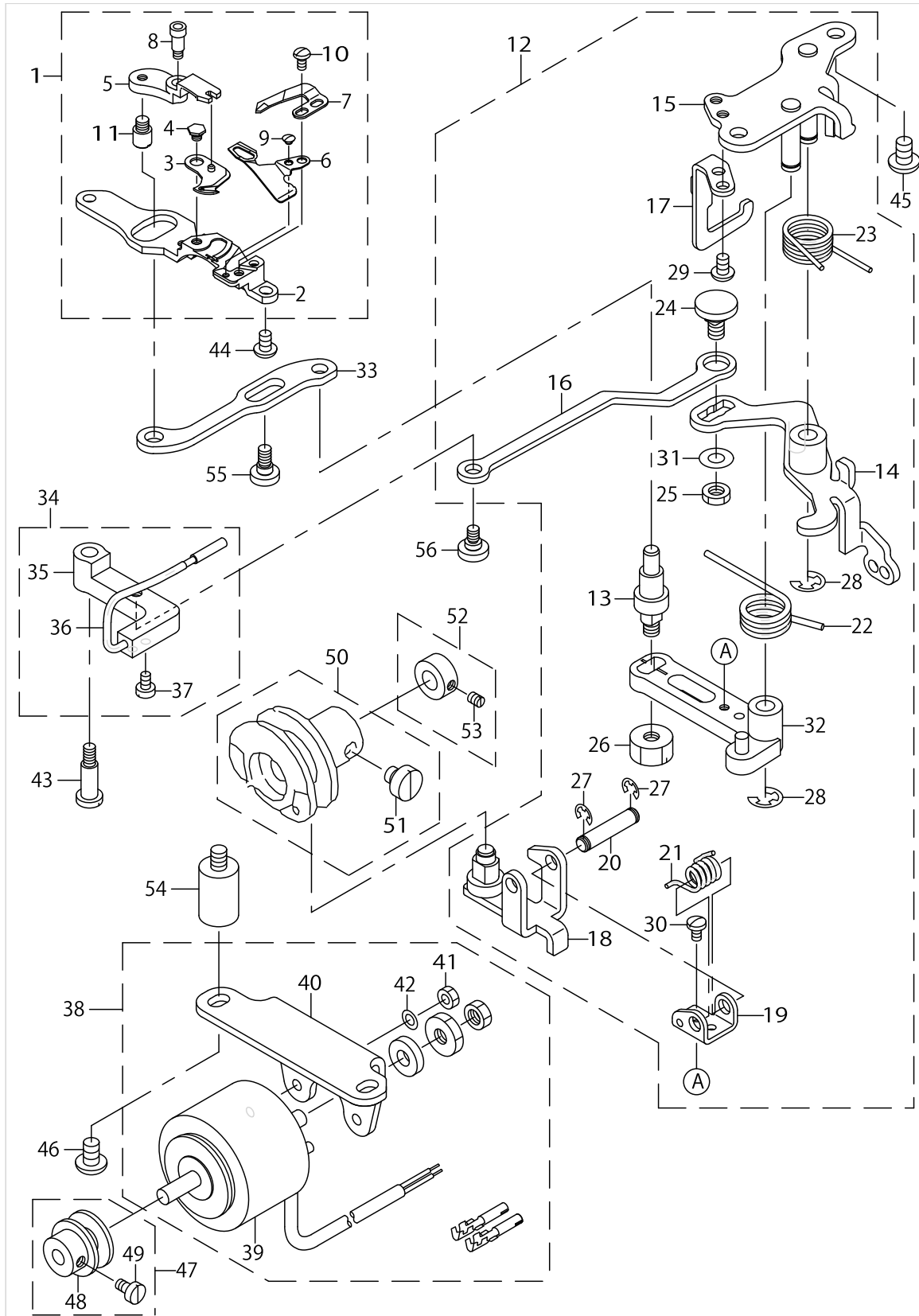
HORIZONTAL FEED & VERTICAL FEED AND HOOK DRIVING SHAFT COMPONENTS



HORIZONTAL FEED & VERTICAL FEED AND HOOK DRIVING SHAFT COMPONENTS

No.	Parts No.	Parts name	Remarks	Level	Cons	Qty
48	SB32000060A	BEARING	SELECTIVE PARTS			1
49	SB32000060B	BEARING	SELECTIVE PARTS			1
50	SB32000060C	BEARING	SELECTIVE PARTS			1
51	SB117000400	BEARING				1
52	SB120001000	BEARING				1
53	SS8661012TP	SCREW				2
54	SS6090670TP	SCREW 9/64-40 L=6				2
55	SS6110710TP	SCREW 11/64-40 L=6.5				1
56	23620008	HOOK SHAFT				1
57	23620156	HOOK SHAFT METAL COMPL.				1
58	40145927	OIL SEAL				2
59	23620354	BEARING SUPPORT ASM.				1
60	SS6110650TP	SCREW 11/64-40 L=5.5		*		2
61	23620503	GEAR,LARGE				1
62	23620701	GEAR,SMALL(A)	SELECTIVE PARTS			1
63	23620800	GEAR,SMALL(B)	SELECTIVE PARTS			1
64	23620909	GEAR,SMALL(C)	SELECTIVE PARTS			1
65	23621006	GEAR,SMALL(D)	SELECTIVE PARTS			1
66	40000264	BOBBIN CASE ASM.			☆	1
67	40000265	INNER HOOK PRESSER			☆	1
68	11141355	HOOK ASM. C	FOR DLN-9010SS(JE,JA)		☆	1
69	11038650	HOOK ASM.	FOR DLN-9010SS(GENERAL EXPORT)		☆	1
70	22890008	HOOK DRIVING SHAFT OIL SEAL				1
71	22932909	BOBBIN			☆	1
72	40000248	HORIZONTAL FEED SHAFT METAL				1
73	23620404	HOOK SHAFT REAR METAL				1
74	SS6111010TP	SCREW 11/64-40 L=9.5				1
75	23617053	FEED BASE COMPL.				1
76	23619158	FEED DRIVING CAM ASM. F	OPTIONAL PARTS			1
77	23619109	FEED DRIVING CAM F		*		1
78	SS8151150TP	SCREW 15/64-28 L=10.5		*		2
79	23621303	HOOK ASM. K	OPTIONAL PARTS		☆	1
80	22916555	OIL SEAL SCREW ASM.				1
81	22916506	SET SCREW		*		1
82	11015906	OIL WICK		*	☆	1
83	23618051	FEED DRIVING CAM ASM.				1
84	23618002	FEED DRIVING CAM		*		1
85	SS8151150TP	SCREW 15/64-28 L=10.5		*		2
86	40031608	SPROCKET ASM.				1
87	40031607	SPROCKET SUPPORT ASM.		*		1
88	40031606	SPROCKET SUPPORT		*		1
89	SS8150822TP	SCREW 15/64-28 L=8		*		2
90	40031605	SPROCKET		*		1
91	SS7112420SP	SCREW 11/64-40 L=24		*		3

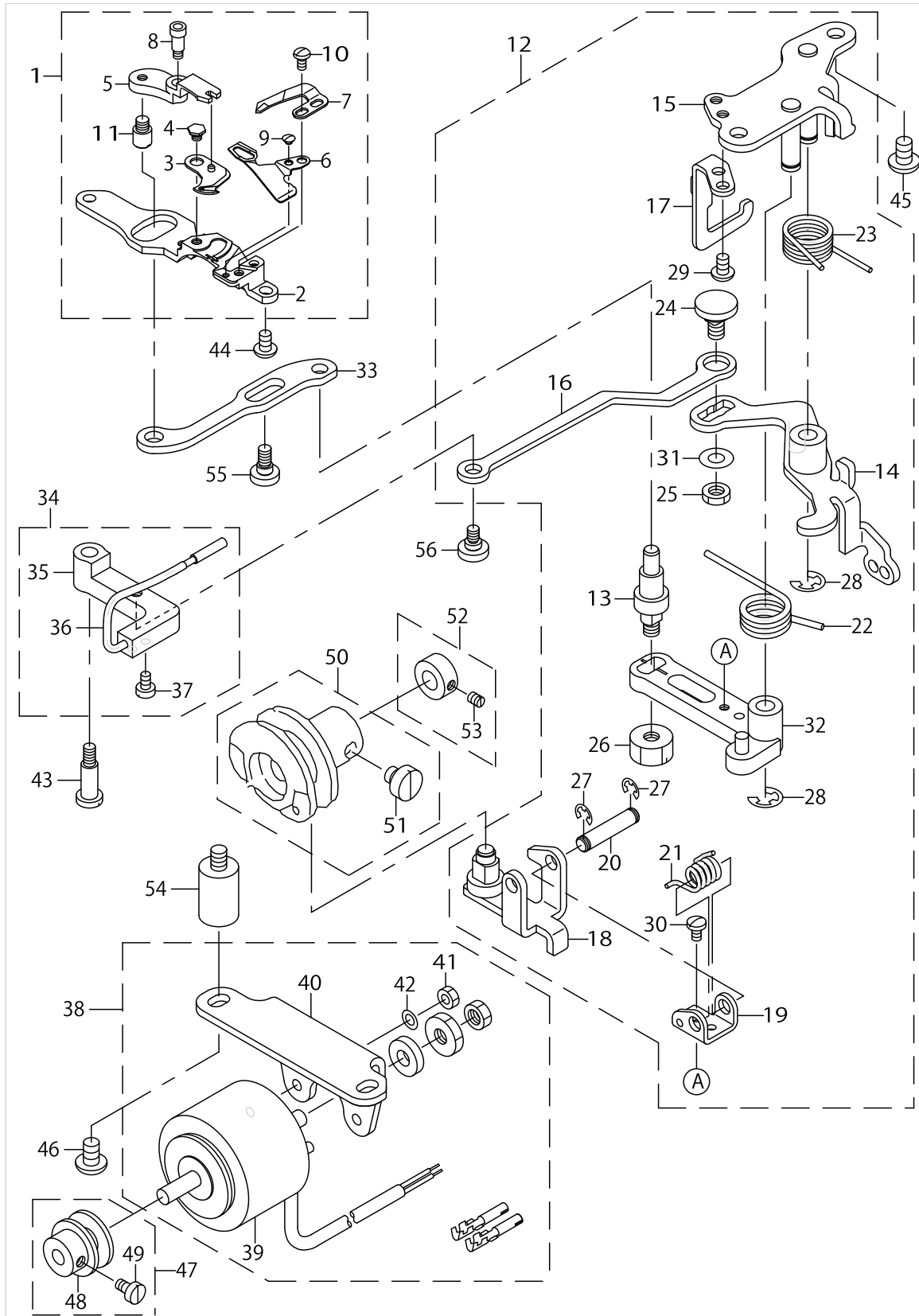
THREAD TRIMMER COMPONENTS



THREAD TRIMMER COMPONENTS

No.	Parts No.	Parts name	Remarks	Level	Cons	Qty
1	40000322	KNIFE UNIT				1
2	23623002	KNIFE INSTALLING BASE		*		1
3	11313053	MOVING KNIFE ASM.		*	☆	1
4	SD0500095TH	HINGE SCREW D=5 H=0.85		*		1
5	11232105	FORKED BASE FOR KNIFE		*		1
6	40000323	THREAD GUIDE FOR KNIFE		*	☆	1
7	40000324	COUNTER KNIFE		*	☆	1
8	SD0460703TP	HINGE SCREW D=4.6 H=7		*		1
9	SS2060210SP	SCREW 3/32-56 L=2.3		*	☆	1
10	SS4080620TP	SCREW 1/8-44 L=6		*		2
11	23623903	PIN		*		1
12	23623168	THREAD TRIMMER DRIVING UNIT				1
13	23623200	MOVING KNIFE LINK PIN		*		1
14	23623358	CLUTCH PLATE ASM.		*		1
15	23623556	BASE PLATE ASM.		*		1
16	23623705	PICKER LINK		*		1
17	23623804	DRIVING ARM STOPPER		*		1
18	11040953	ROLLER ARM ASM.		*		1
19	22949002	ROLLER ARM SEAT		*		1
20	22949101	ROLLER FULCRUM SHAFT		*		1
21	22949200	ROLLER RETURN SPRING		*		1
22	22949309	KNIFE RETURN SPRING B		*		1
23	22949408	CLUTCH SPRING		*		1
24	22950000	PICKER LINK PIN		*		1
25	NS6150310SP	NUT 15/64-28		*		1
26	NS6150810SP	NUT 15/64-28		*		1
27	RE0400000K0	E-RING 4		*		2
28	RE0600000K0	E-RING 6		*		2
29	SS4110715SP	SCREW 11/64-40 L=7		*		2
30	SS7090610SP	SCREW 9/64-40 L=6		*		1
31	WP0621016SH	WASHER		*		1
32	23623150	KNIFE DRIVING ARM ASM.		*		1
33	23624000	MOVING KNIFE LINK				1
34	23624158	PICKER ARM ASM.				1
35	23624109	PICKER ARM		*		1
36	23624257	THREAD TAKE-UP PICKER ASM.		*	☆	1
37	SS6090620TP	SCREW		*		2
38	40118553	THREAD_TRIMMER_SOLENOID_ASM.				1
39	40118554	THREAD_TRIMMER_SOLENOID		*		1
40	23624406	SOLENOID BASE		*		1
41	NM6040000SN	NUT M4		*		2
42	WP0430800SC	WASHER M4		*		2
43	SD0641452TP	HINGE SCREW D=6.35 H=14.5				1
44	SS4110715SP	SCREW 11/64-40 L=7				2
45	SS4150915SP	SCREW 15/64-28 L=9				2
46	SS4150915SP	SCREW 15/64-28 L=9				2
47	23624554	DRIVING BLOCK ASM.				1

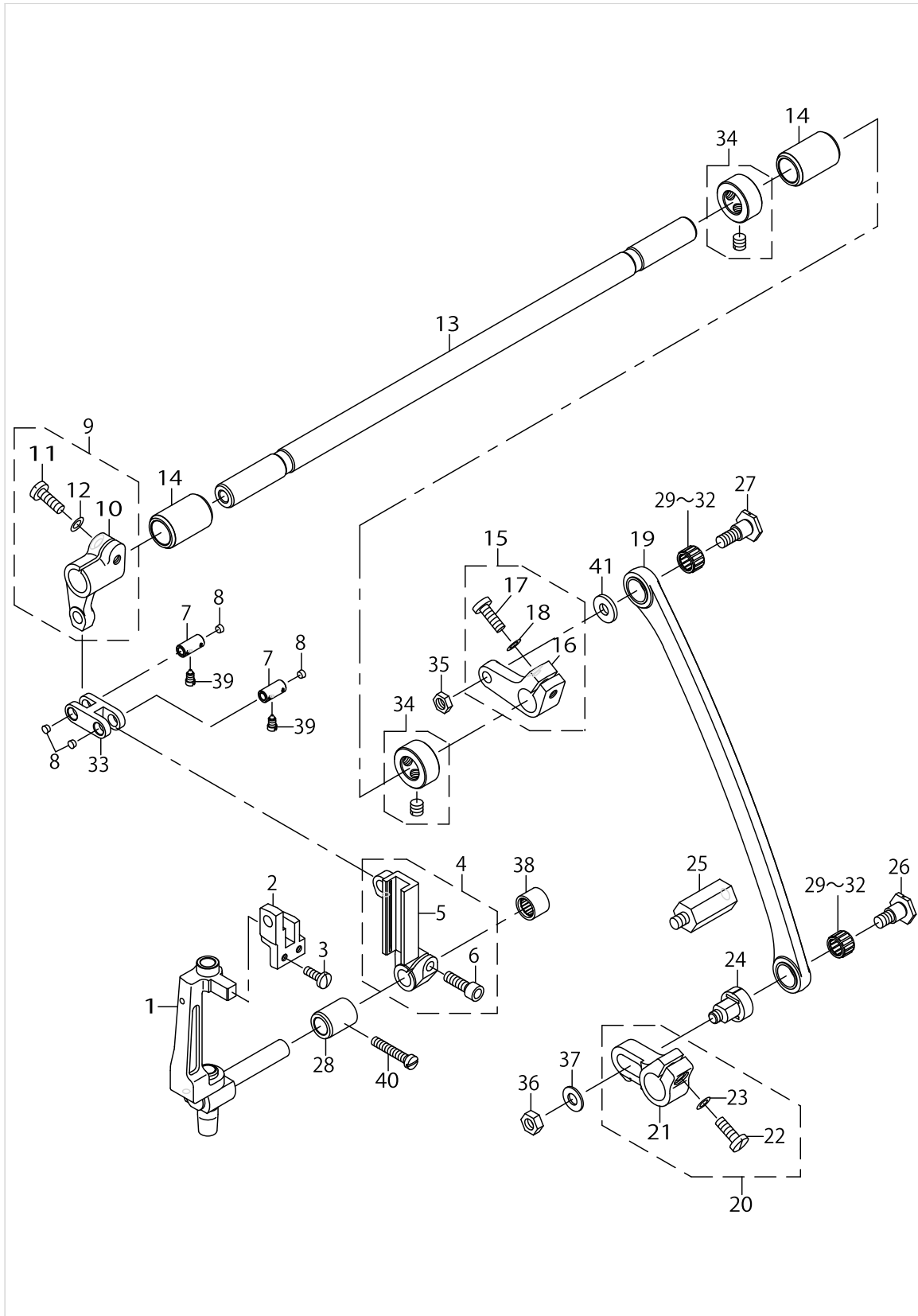
THREAD TRIMMER COMPONENTS



THREAD TRIMMER COMPONENTS

No.	Parts No.	Parts name	Remarks	Level	Cons	Qty
48	23624505	DRIVING BLOCK		*		1
49	SS6110710TP	SCREW 11/64-40 L=6.5		*		1
50	22950851	THREAD TRIMMER CAM ASM.				1
51	SS6660610TP	SCREW 1/4-40 L=6		*		2
52	22950950	CAM COLLAR ASM.				1
53	SS8110520TP	SCREW 11/64-40 L=4.5		*		1
54	40023290	SOLENOID BASE STUD				2
55	SD0600321SP	HINGE SCREW D=6 H=3.2				1
56	SD0630275SP	HINGE SCREW D=6.35 H=2.7				1

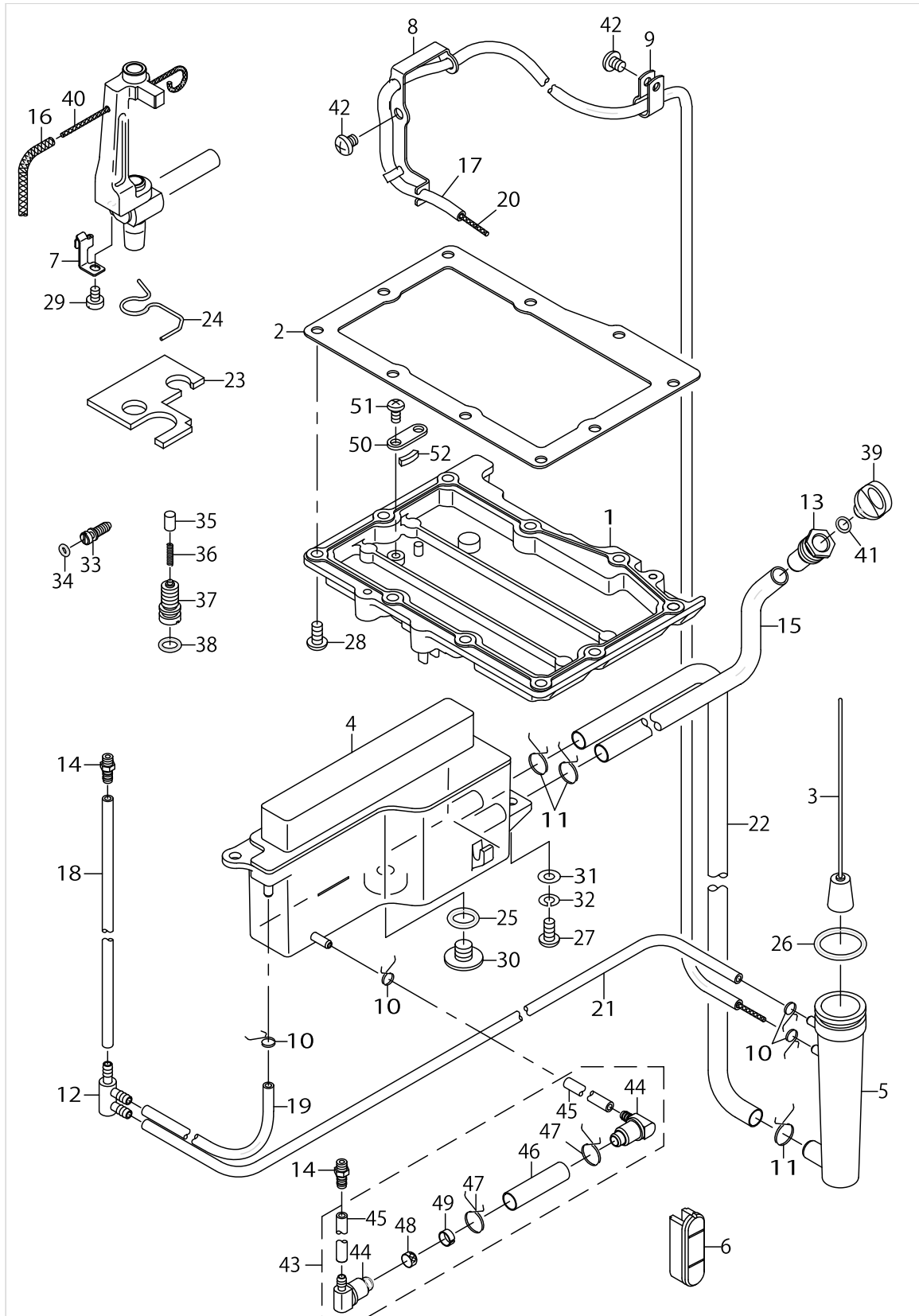
NEEDLE BAR FRAME COMPONENTS



NEEDLE BAR FRAME COMPONENTS

No.	Parts No.	Parts name	Remarks	Level	Cons	Qty
1	40000281	ROCKING BASE COMPL.				1
2	40000289	ROCKING BASE GUIDE				1
3	SS7091110TP	SCREW 9/64-40 L=10.5				2
4	40000291	SLIDE BLOCK GUIDE ASM.				1
5	40000292	SLIDE BLOCK GUIDE		*		1
6	SM6051602TP	SCREW M5X0.8 L=16		*		1
7	40000293	LINK PIN				2
8	TA0340201R0	PLUG D=3.4X3.9 L=2				4
9	40000295	DRIVING CRANK ASM. ,FRONT				1
10	40000296	DRIVING CRANK ,FRONT		*		1
11	SS7121410TP	SCREW 3/16-28 L=14		*		1
12	WP0480856SP	WASHER 4.8X8.4X0.8		*		1
13	40000298	NEEDLE FEED SHAFT				1
14	40000299	NEEDLE FEED SHAFT METAL				2
15	40000301	DRIVING CRANK ASM. ,REAR				1
16	40000302	DRIVING CRANK ,REAR		*		1
17	SS7121410TP	SCREW 3/16-28 L=14		*		1
18	WP0480856SP	WASHER 4.8X8.4X0.8		*		1
19	40000304	NEEDLE FEED ROD CPML.				1
20	40000307	NEEDLE FEED ARM ASM.				1
21	40000308	NEEDLE FEED ARM		*		1
22	SS7121410TP	SCREW 3/16-28 L=14		*		1
23	WP0480856SP	WASHER 4.8X8.4X0.8		*		1
24	40000309	NEEDLE FEED ADJUSTING BLOCK				1
25	40000311	NEEDLE FEED ROD STRUT				1
26	SD0800801TP	STEP-SCREW D=8 H=8				1
27	SD0800802TP	STEP-SCREW D=8 H=8				1
28	11214509	BUSHING				1
29	B1905541A00	NEEDLE BEARING	SELECTIVE PARTS			2
30	B1905541B00	NEEDLE BEARING	SELECTIVE PARTS			2
31	B1905541C00	NEEDLE BEARING	SELECTIVE PARTS			2
32	B1905541D00	NEEDLE BEARING	SELECTIVE PARTS			2
33	B2906415000	DRIVING LINK				1
34	CS120101BSH	THRUST COLLAR ASM.				2
35	NS6150310SP	NUT 15/64-28				1
36	NS6150430SP	NUT 15/64-28				1
37	WP0621016SD	WASHER 6.2X13X1				1
38	SB309000400	BEARING				1
39	SS6090660TP	SCREW 9/64-40 L=6				2
40	SS7112420SP	SCREW 11/64-40 L=24				1
41	WP0602016SP	WASHER				1

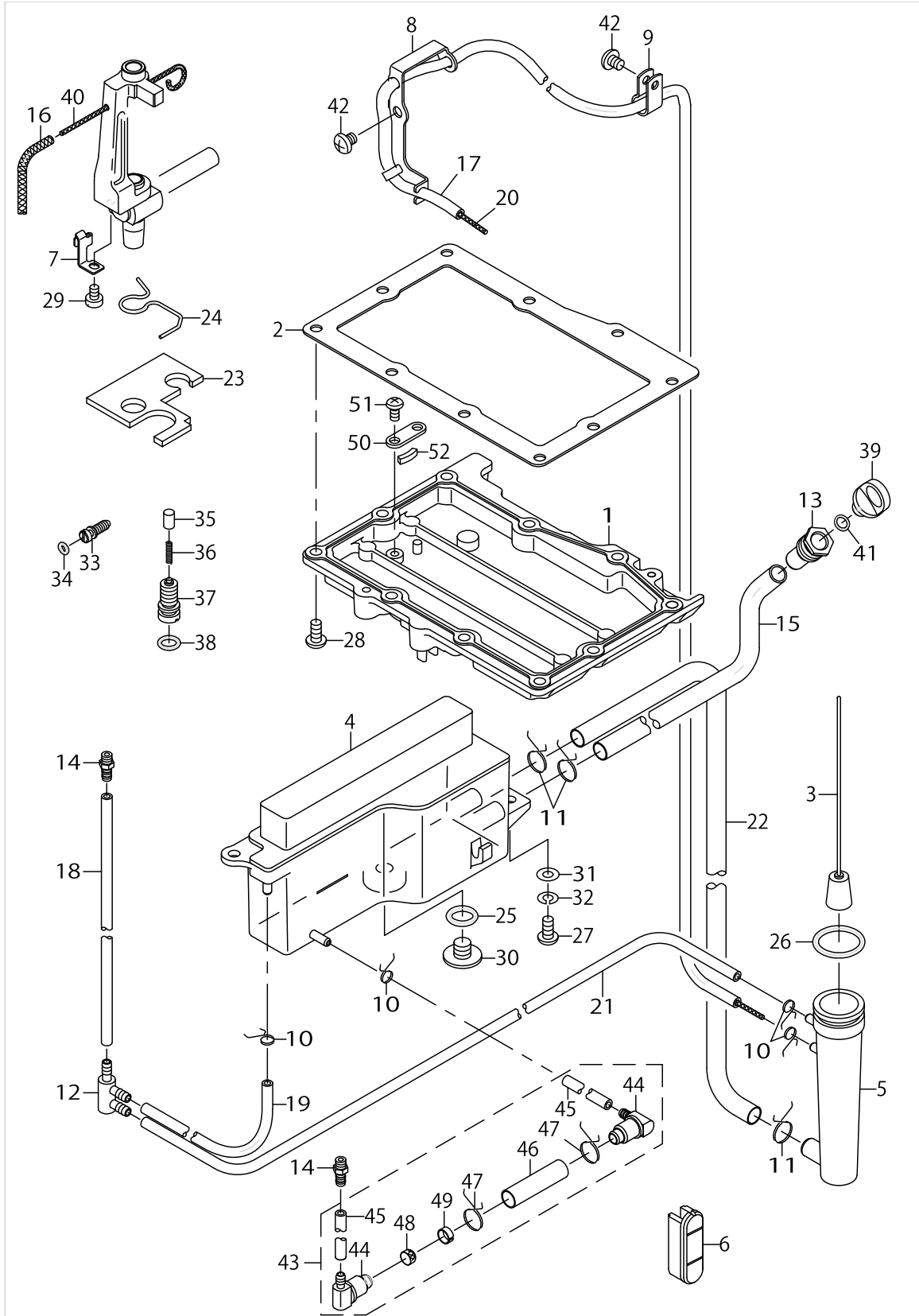
OIL LUBRICATION COMPONENTS



OIL LUBRICATION COMPONENTS

No.	Parts No.	Parts name	Remarks	Level	Cons	Qty
1	40011344	GEAR BOX COVER				1
2	23628100	GEAR BOX PACKING				1
3	23628357	FLOATER ASM.				1
4	23628555	OIL TANK ASM.				1
5	23628704	FLOATER CASE				1
6	23629108	OIL SIGHT WINDOW				1
7	40000339	OIL WICK SUPPORT				1
8	40000340	PIPE SUPPORT A				1
9	HX00150000C	CABLE CLAMP				1
10	23629306	PIPE STOPPER A				4
11	23629405	PIPE STOPPER B				3
12	23629504	DISTRIBUTOR A				1
13	40000343	LUBRICATING INLET				1
14	23629801	LUBRICATION CONNECTOR				2
15	23630106	TUBE B				0.34
16	23629702	OIL WICK				0.1
17	23630007	TUBE				0.72
18	23630007	TUBE				0.04
19	23630007	TUBE				0.07
20	CQ200000001	OIL WICK				0.8
21	23630007	TUBE				0.38
22	23630106	TUBE B				0.23
23	40000342	FELT				1
24	11307006	OIL FELT PRESSER				1
25	RO098240100	RUBBER RING				1
26	RO195240100	RUBBER RING				1
27	SS4121015SP	SCREW 3/16-28 L=10				2
28	SS4121015SP	SCREW 3/16-28 L=10				10
29	SS6090620TP	SCREW				1
30	23630205	SCREW				1
31	WP0501016SD	WASHER 5X10.5X1				2
32	WS0510002KP	SPRING WASHER 5.1X9.2X1.3				2
33	23628209	OIL ADJUSTING SCREW				1
34	RO029180100	RUBBER RING				1
35	23628803	PLUNGER				1
36	23628902	PLUNGER SPRING				1
37	23629009	PLUNGER SCREW				1
38	RO068190100	RUBBER RING				1
39	40000344	LUBRICATING INLET CAP				1
40	CQ200000001	OIL WICK				0.25
41	RO048190100	RUBBER RING				1
42	SS4120615SP	SCREW 3/16-28 L=6				2
43	23630452	OIL FILTER ASM.				1
44	23630601	OIL FILTER JOINT		*		2
45	23630007	TUBE		*		0.09
46	23630106	TUBE B		*		0.04
47	23629405	PIPE STOPPER B		*		2

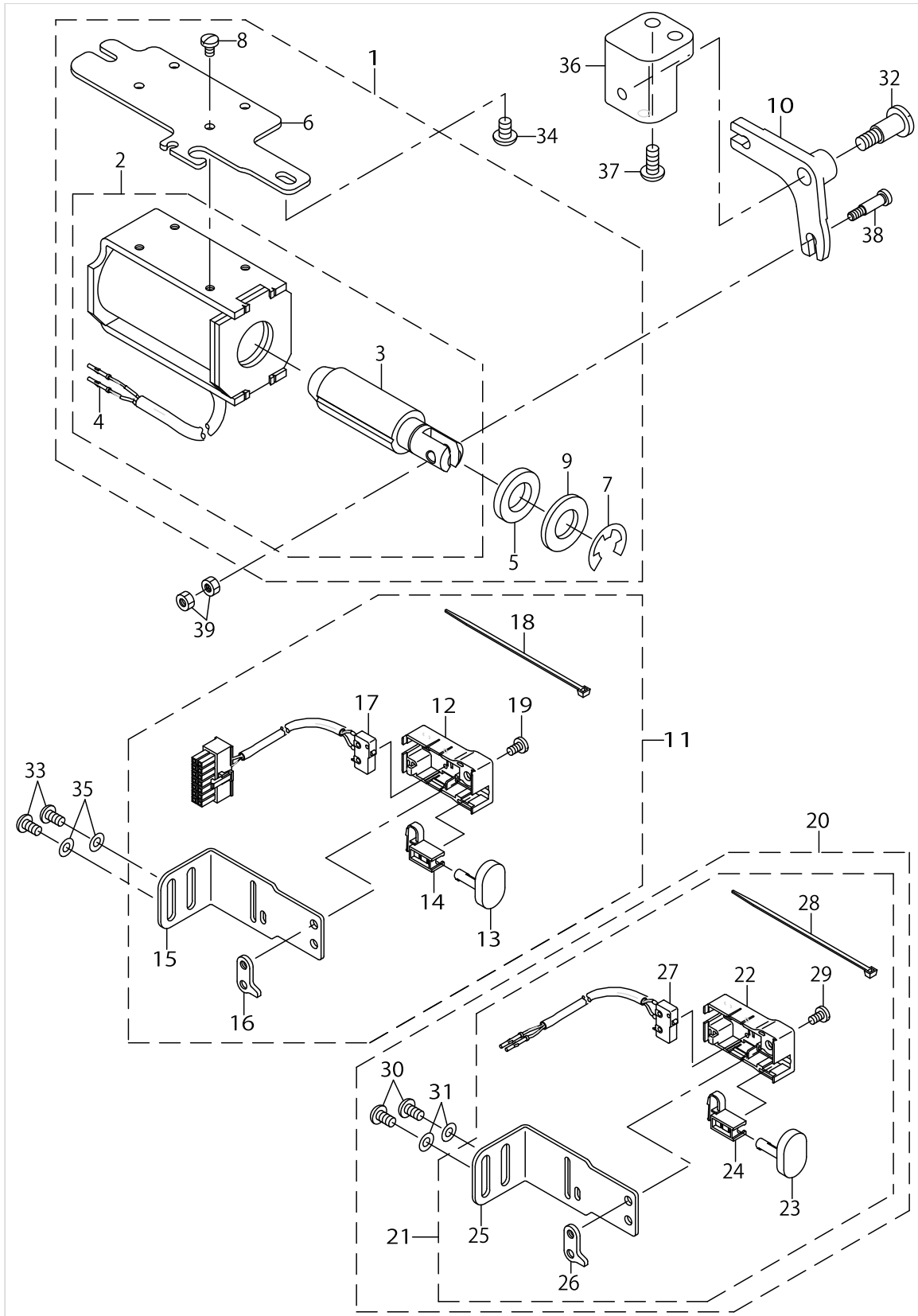
OIL LUBRICATION COMPONENTS



OIL LUBRICATION COMPONENTS

No.	Parts No.	Parts name	Remarks	Level	Cons	Qty
48	23630403	OIL FILTER		*		1
49	23630502	OIL FILTER STOPPER		*		1
50	40024644	MAGNET WASHER				1
51	ST4040821SS	TAPPING SCREW				1
52	11033008	MAGNET A				1

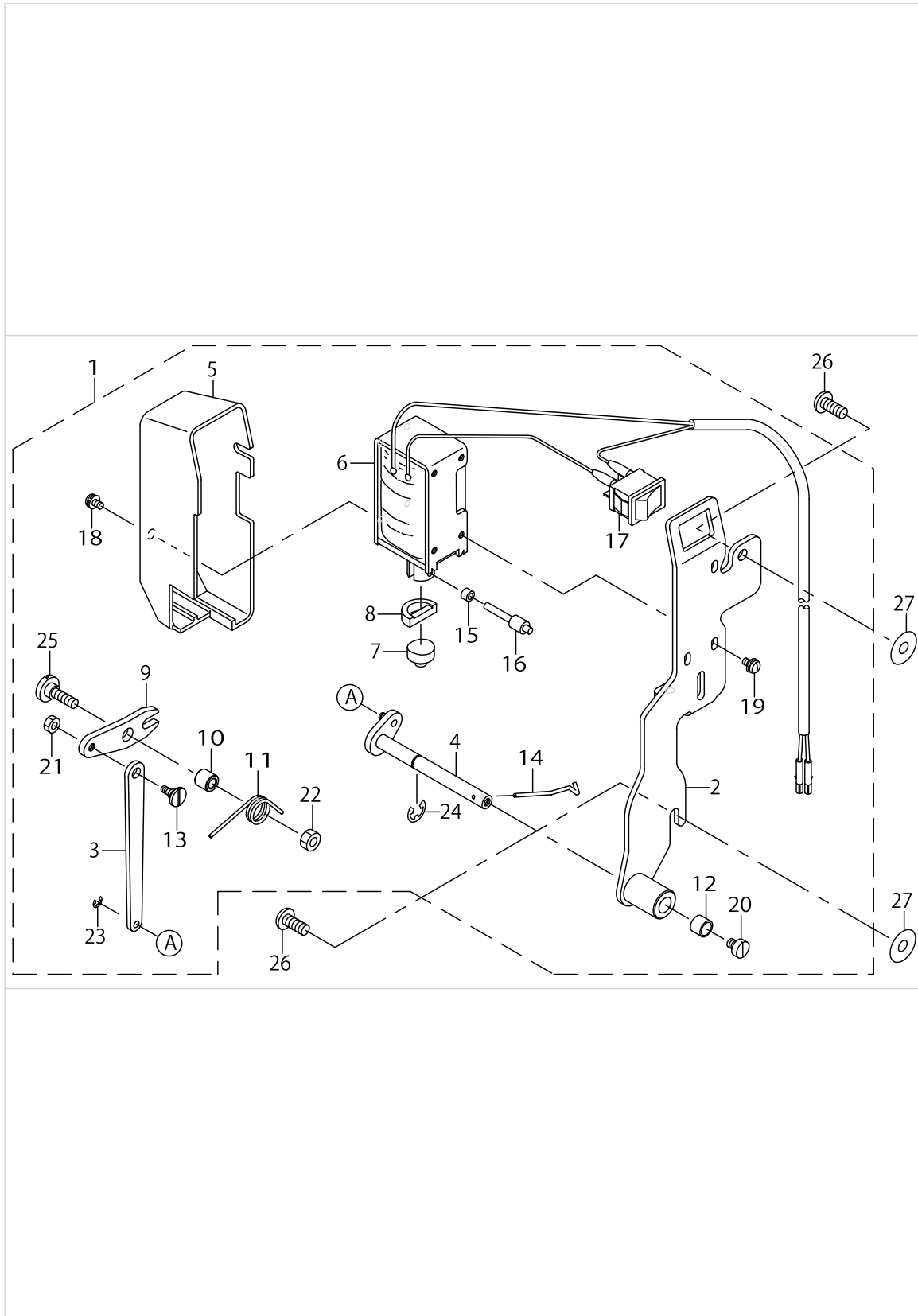
AUTOMATIC REVERSE FEED COMPONENTS



AUTOMATIC REVERSE FEED COMPONENTS

No.	Parts No.	Parts name	Remarks	Level	Cons	Qty
1	40109068	REVERSE FEED SOLENOID BASE ASM.				1
2	40109067	REVERSE FEED SOLENOID		*		1
3	40108064	REVERSE FEED SOLENOID PLUNGER		*		1
4	HK03464000B	PIN CONTACT		*		2
5	D2468555B00	RUBBER PLUNGER		*		1
6	23631203	REVERSE FEED SOLENOID BASE		*		1
7	RE1200000K0	E-RING 12		*		1
8	SS7110740TP	SCREW 11/64-40 L=7		*		4
9	WP1703001SC	WASHER 17X30X3		*		1
10	23631302	REVERSE FEED ARM				1
11	40000349	REVERSE FEED SWITCH ASM.				1
12	23631708	REVERSE FEED SWITCH COVER		*		1
13	23631807	REVERSE FEED SWITCH SHAFT		*		1
14	23631906	REVERSE FEED SWITCH SUPPORT		*		1
15	40000350	REVERSE FEED SWITCH BASE		*		1
16	23632102	REVERSE FEED SWITCH BASE GUIDE		*		1
17	23632359	REVERSE FEED CORD ASM.		*		1
18	EA9500B0100	CABLE BAND		*		1
19	SS7110740TP	SCREW 11/64-40 L=7		*		1
20	40000380	OPTIONAL SWITCH WHOLE ASM.	OPTIONAL PARTS			1
21	40000381	OPTIONAL SWITCH WHOLE ASM.		*		1
22	23631708	REVERSE FEED SWITCH COVER		*		1
23	23631807	REVERSE FEED SWITCH SHAFT		*		1
24	23631906	REVERSE FEED SWITCH SUPPORT		*		1
25	40000350	REVERSE FEED SWITCH BASE		*		1
26	23632102	REVERSE FEED SWITCH BASE GUIDE		*		1
27	23632250	REVERSE FEED CORD ASM.		*		1
28	EA9500B0100	CABLE BAND		*		1
29	SS7110740TP	SCREW 11/64-40 L=7		*		1
30	SS4120915SP	SCREW 3/16-28 L=9		*		2
31	WP0501016SD	WASHER 5X10.5X1		*		2
32	SD0951501SP	HINGE SCREW D=9.53 H=15				1
33	SS4120915SP	SCREW 3/16-28 L=9				2
34	SS4150915SP	SCREW 15/64-28 L=9				2
35	WP0501016SD	WASHER 5X10.5X1				2
36	40000351	REVERSE FEED BASE				1
37	SS4151415SP	SCREW 15/64-28 L=14				2
38	22962906	PLUNGER ARM PIN				1
39	NS6110350SP	NUT 11/64-40				2

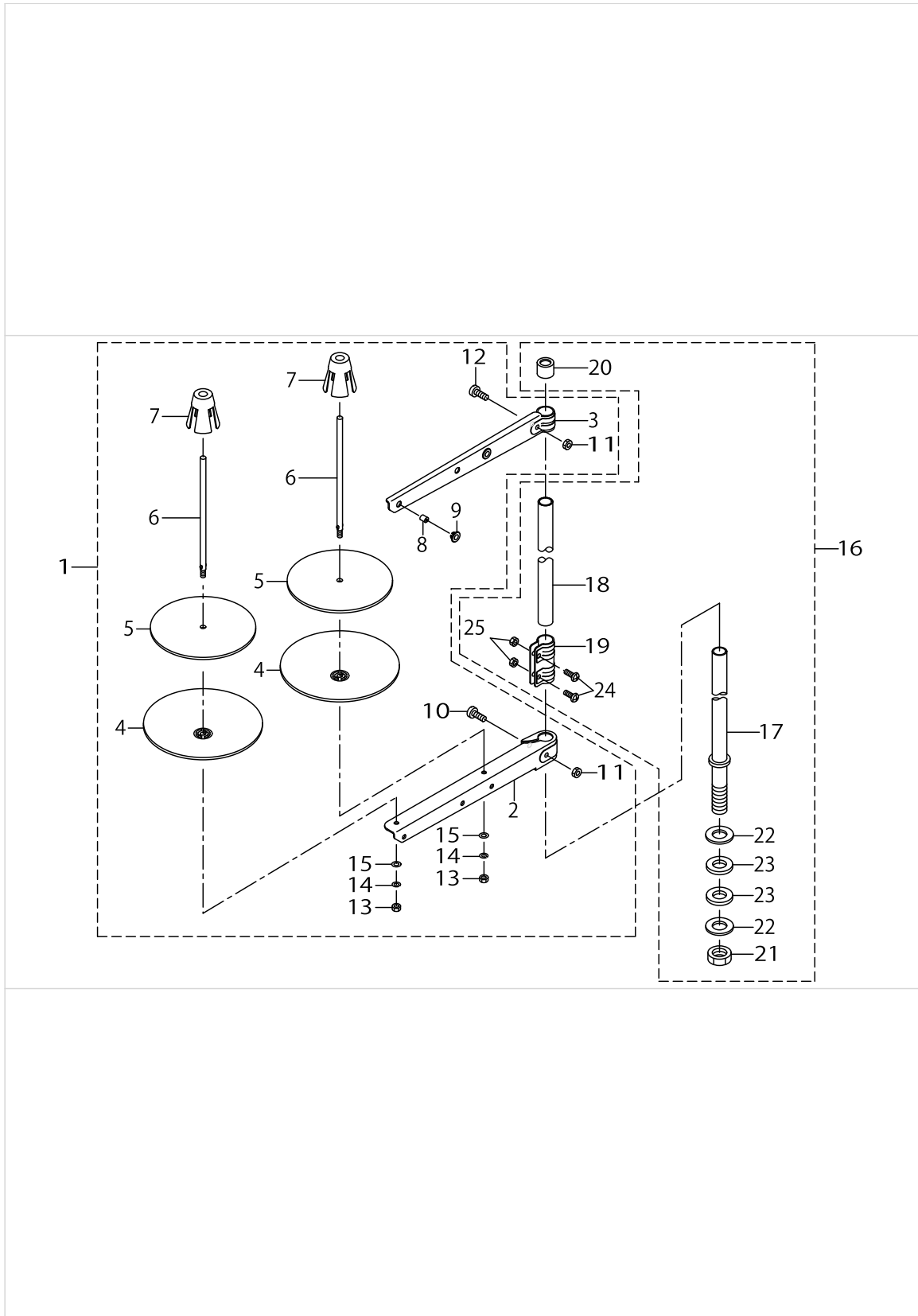
WIPER COMPONENTS



WIPER COMPONENTS

No.	Parts No.	Parts name	Remarks	Level	Cons	Qty
1	40000355	WIPER ASM.				1
2	40000356	WIPER BASE COMPL.		*		1
3	40000358	WIPER LINK B		*		1
4	40000359	WIPER SHAFT COMPL.		*		1
5	22955504	WIPER COVER		*		1
6	40106938	WIPER SOLENOID ASM.		*		1
7	22955900	WIPER RUBBER A		*		1
8	22956007	WIPER RUBBER B		*		1
9	22956106	WIPER LINK A		*		1
10	22956205	WIPER HINGE SCREW COLLAR		*		1
11	22956304	WIPER SPRING		*		1
12	22956809	WIPER COLLAR		*		1
13	22956908	WIPER LINK B HINGE SCREW		*		1
14	40000361	WIPER		*	☆	1
15	22957203	WIPER LINK COLLAR		*		1
16	22957104	WIPER SOLENOID SHAFT		*		1
17	HA00600000A	SWITCH		*		1
18	SL4030631SC	SCREW M3X6		*		1
19	SL4030641SE	SCREW		*		3
20	SS6090540SP	SCREW 9/64-40 L=5.0		*		1
21	NS6090310SP	NUT 9/64-40		*		1
22	NS6110310SP	NUT 11/64-40		*		1
23	RE0250000K0	E-RING 2.5		*		1
24	RE0500000K0	E-RING 5		*		1
25	SD0650321TP	HINGE SCREW D=6.5 H=3.2		*		1
26	SS4121215SP	SCREW 3/16-28 L=12				2
27	WP0553216SD	WASHER				2

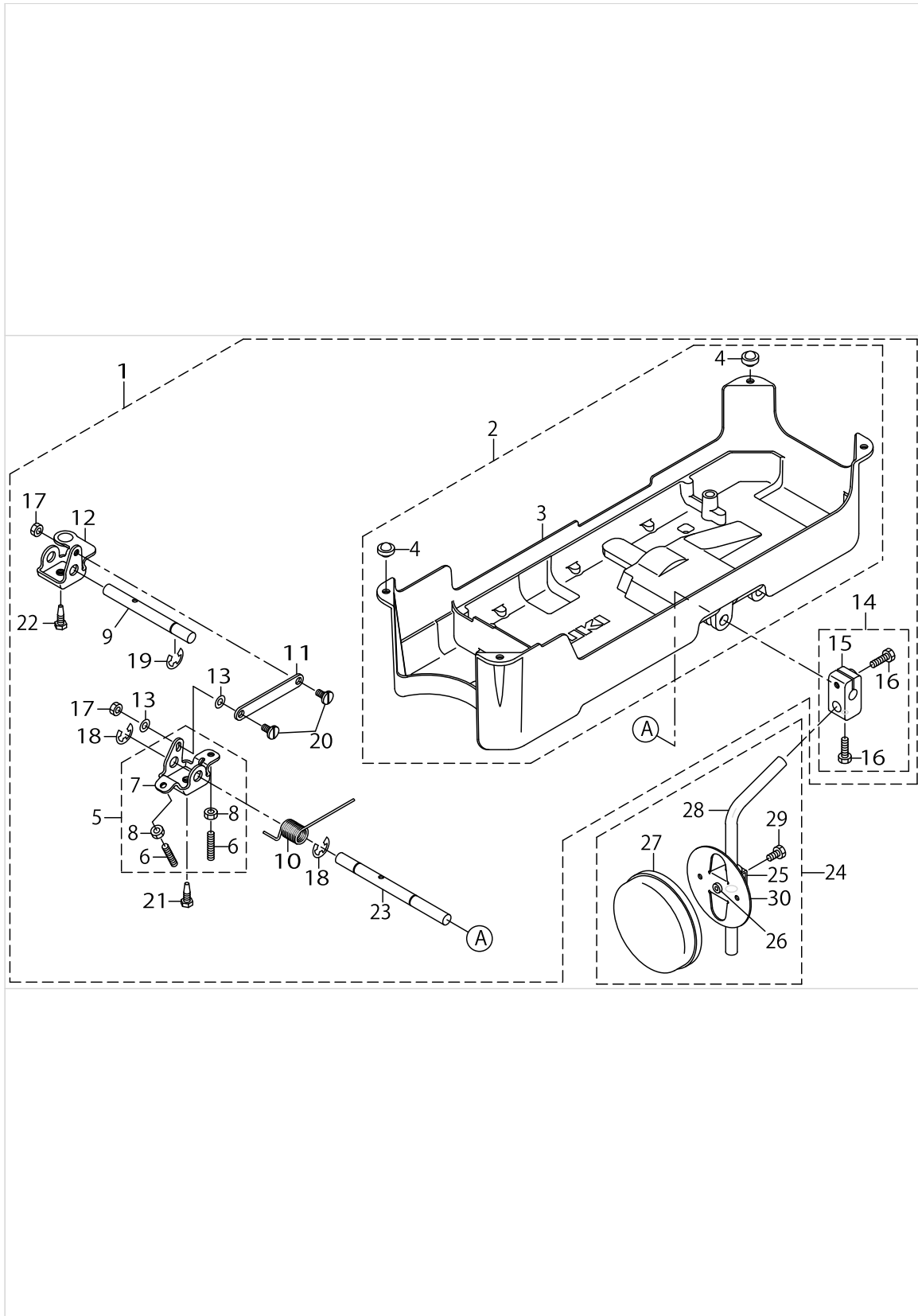
THREAD STAND COMPONENTS



THREAD STAND COMPONENTS

No.	Parts No.	Parts name	Remarks	Level	Cons	Qty
1	40108402	THRED_STAND_B				1
2	40085786	SPOOL REST ARM (LOWER)		*		1
3	40085787	SPOOL REST ARM (UPPER)		*		1
4	40085788	SPOOL REST		*		2
5	40085789	SPOOL REST CUSHION		*		2
6	40085790	SPOOL PIN		*		2
7	40085791	SPOOL RETAINER		*		2
8	40085794	THREAD GUIDE		*		2
9	40085795	THREAD GUIDE BUSHING		*		2
10	40096326	SPOOL REST ARM LOWER SCREW		*		1
11	NM6050001SE	NUT M5		*		2
12	40096327	SPOOL REST ARM UPPER SCREW		*		1
13	NM6050001SE	NUT M5		*		2
14	WS0510002KN	SPRING WASHER M5		*		2
15	WP0531001SC	WASHER M5		*		2
16	40108401	THREAD_STAND_A				1
17	40085784	SPOOL REST ROD LOWER		*		1
18	40085785	SPOOL REST ROD UPPER		*		1
19	40085792	SPOOL REST ROD JOINT		*		1
20	40085793	SPOOL REST ROD RUBBER CAP		*		1
21	40096325	SPOOL REST ROD NUT		*		1
22	WP1612616SE	WASHER 16X30X2.6		*		2
23	40085796	SPOOL REST ROD RUBBER CUSHION		*		2
24	SM4051405SE	SCREW M5 L=14		*		2
25	NM6050001SE	NUT M5		*		2

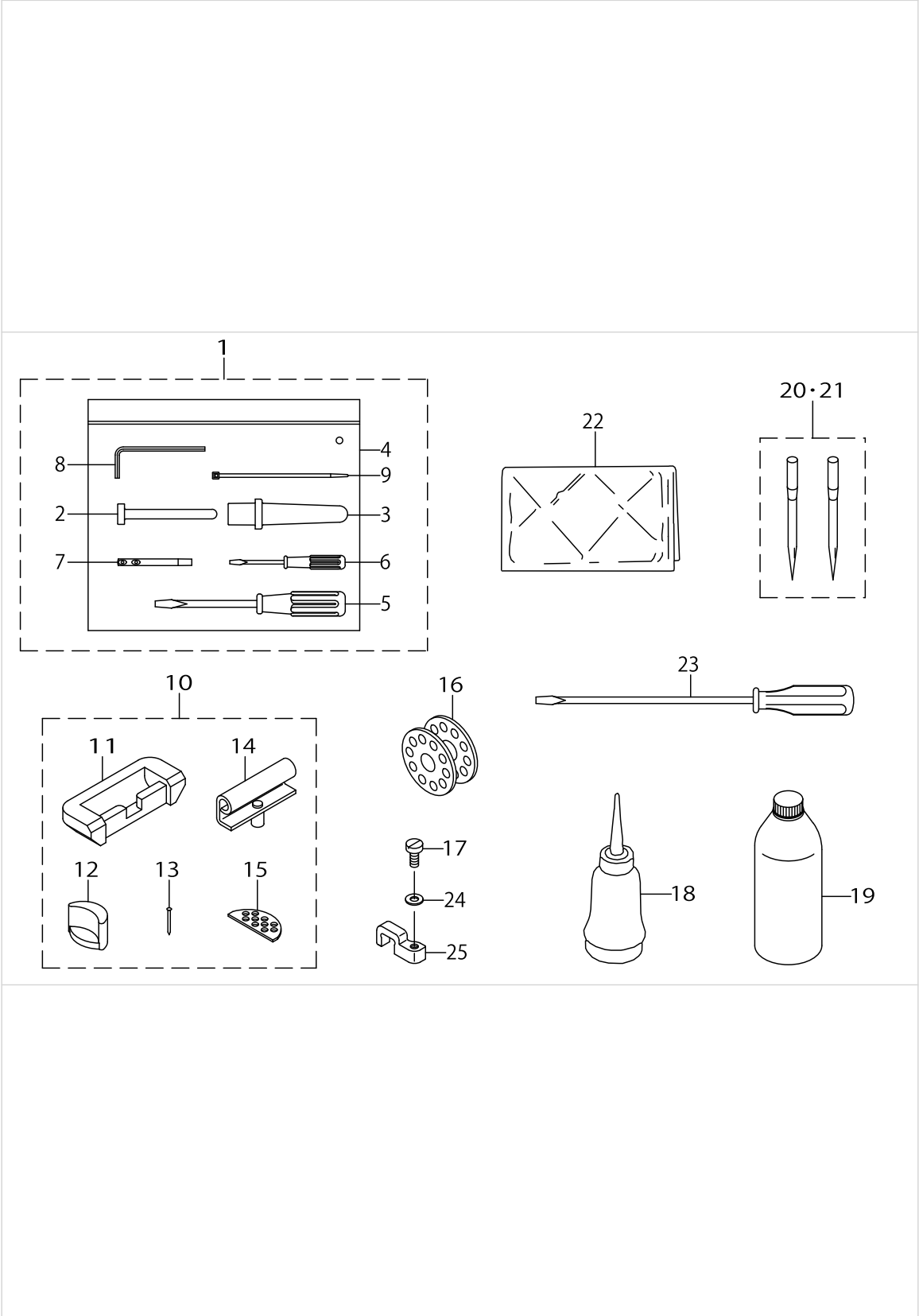
UNDER COVER COMPONENTS



UNDER COVER COMPONENTS

No.	Parts No.	Parts name	Remarks	Level	Cons	Qty
1	40062321	UNDER COVER A ASM.				1
2	40062323	UNDER COVER B ASM.	FOR GENERAL EXPORT,JE,JA (TYPE AK)	*		1
3	23639008	UNDER COVER		*		1
4	B1116210D00	FRAME SUPPORT RUBBER		*		4
5	23639156	BRACKET ASM.		*		1
6	SM8063012TR	SCREW M6 L=30		*		2
7	23639107	BRACKET		*		1
8	NM6060001SE	NUT M6		*		2
9	23639404	SHAFT		*		1
10	23639503	SPRING		*		1
11	23639602	CONNECTING ROD		*		1
12	23639206	CONNECTING ROT		*		1
13	WP0650876SD	WASHER 6.5X13X0.8		*		2
14	22932453	BRACKET ASM.		*		1
15	22932404	BRACKET		*		1
16	SM9062053SR	SCREW M6 L=20		*		2
17	NS6150310SP	NUT 15/64-28		*		2
18	RE1000000K0	E-RING 10		*		2
19	RE1000000K0	E-RING 10		*		1
20	SD0720331SP	HINGE SCREW D=7.24 H=3.3		*		2
21	SM9061853SR	SCREW M6 L=17.5		*		1
22	SM9061853SR	SCREW M6 L=17.5		*		1
23	23639305	KNEE PRESS ROD		*		1
24	22934251	KNEE PAD PLATE ASM.				1
25	22934301	KNEE PAD PLATE SUPPORT		*		1
26	22934400	KNEE PAD PLATE RUBBER		*		1
27	22934509	KNEE PAD PLATE COVER		*		1
28	22934608	KNEE PAD UPRIGHT SHAFT		*		1
29	SM9061203SE	SCREW M6 L=12		*		1
30	22934202	KNEE PAD PLATE		*		1

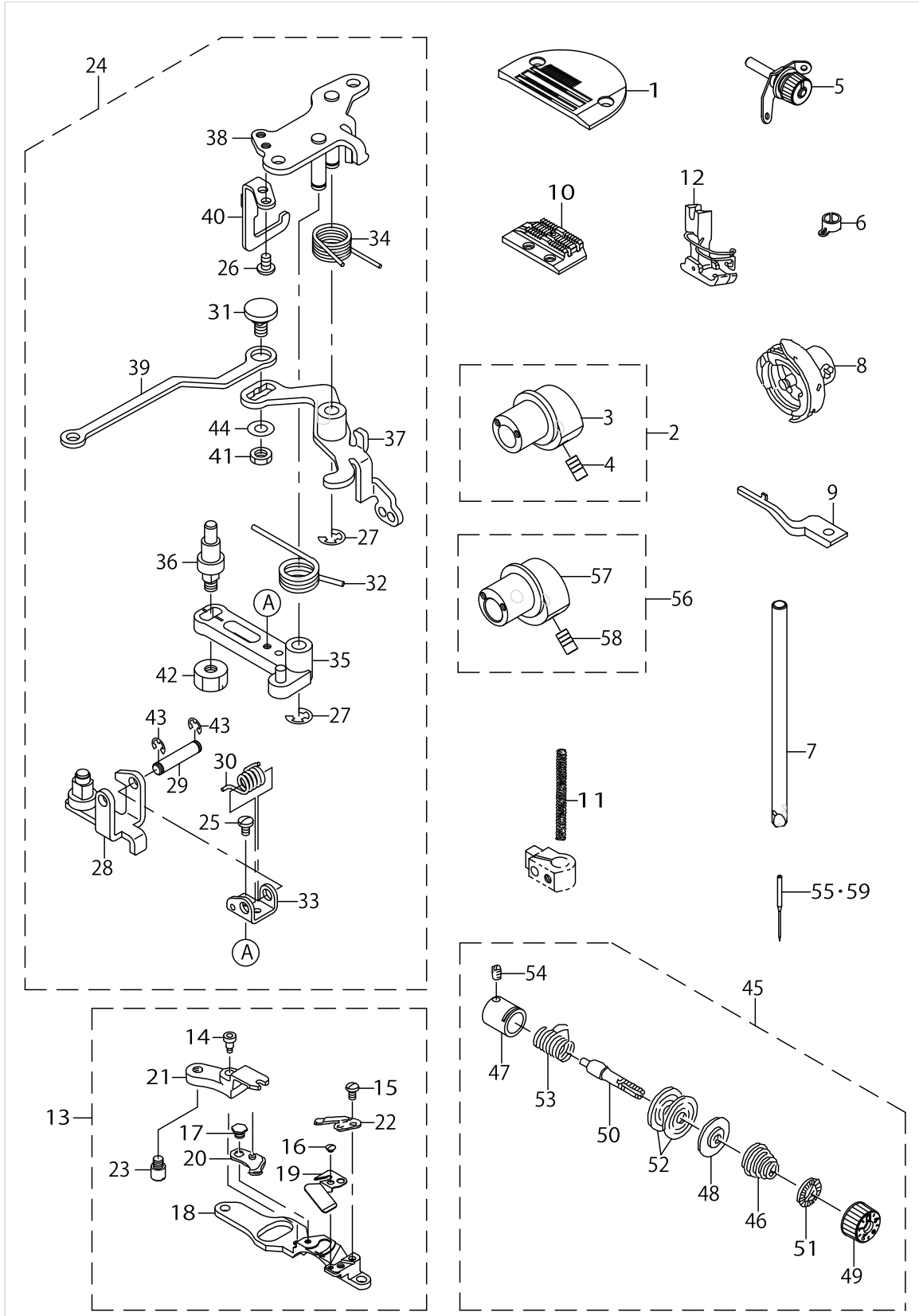
ACCESSORIE PARTS COMPONENTS



ACCESSORIE PARTS COMPONENTS

No.	Parts No.	Parts name	Remarks	Level	Cons	Qty
1	40037484	ACCESSORIE BAG ASM.				1
2	23639701	KNEE LIFTER PRESSER ROD		*		1
3	22931604	FRAME SUPPORT BAR		*		1
4	22932800	ACCESSORIE BAG		*		1
5	22933105	SCREW DRIVER,MIDDLE		*		1
6	22933204	SCREW DRIVER,SMALL		*		1
7	22958300	NEEDLE THREAD GUIDE PIN		*		1
8	40055591	HEXAGONAL WRENCH KYE		*		1
9	EA9500B0100	CABLE BAND		*		1
10	22958052	RUBBER HINGE ASM.				1
11	22926000	RUBBER CUSHION		*		2
12	22958003	FRAME BUBBER CUSHION		*		2
13	22926208	NAIL		*		8
14	22926356	HINGE COMPL.		*		2
15	22926505	WASHER		*		2
16	22932909	BOBBIN			☆	1
17	SS6121220TP	SCREW 3/16-28 L=11.5				1
18	B91210120A0	OILER ASM.				1
19	MDFRX1600C0	DEFRIX OIL NO.1(600CC)			☆	1
20	MDB100B1402	NEEDLE DBX1#14-2	FOR DLN-9010SS			1
21	MC200500902	NEEDLE 134 #90-2	FOR DLN-9010SS(JE)			1
22	40070090	HEAD COVER				1
23	22933006	SCREW DRIVER,LARGE				1
24	WP0501016SD	WASHER 5X10.5X1				1
25	40000290	ROCKING BASE SUPPORT				1

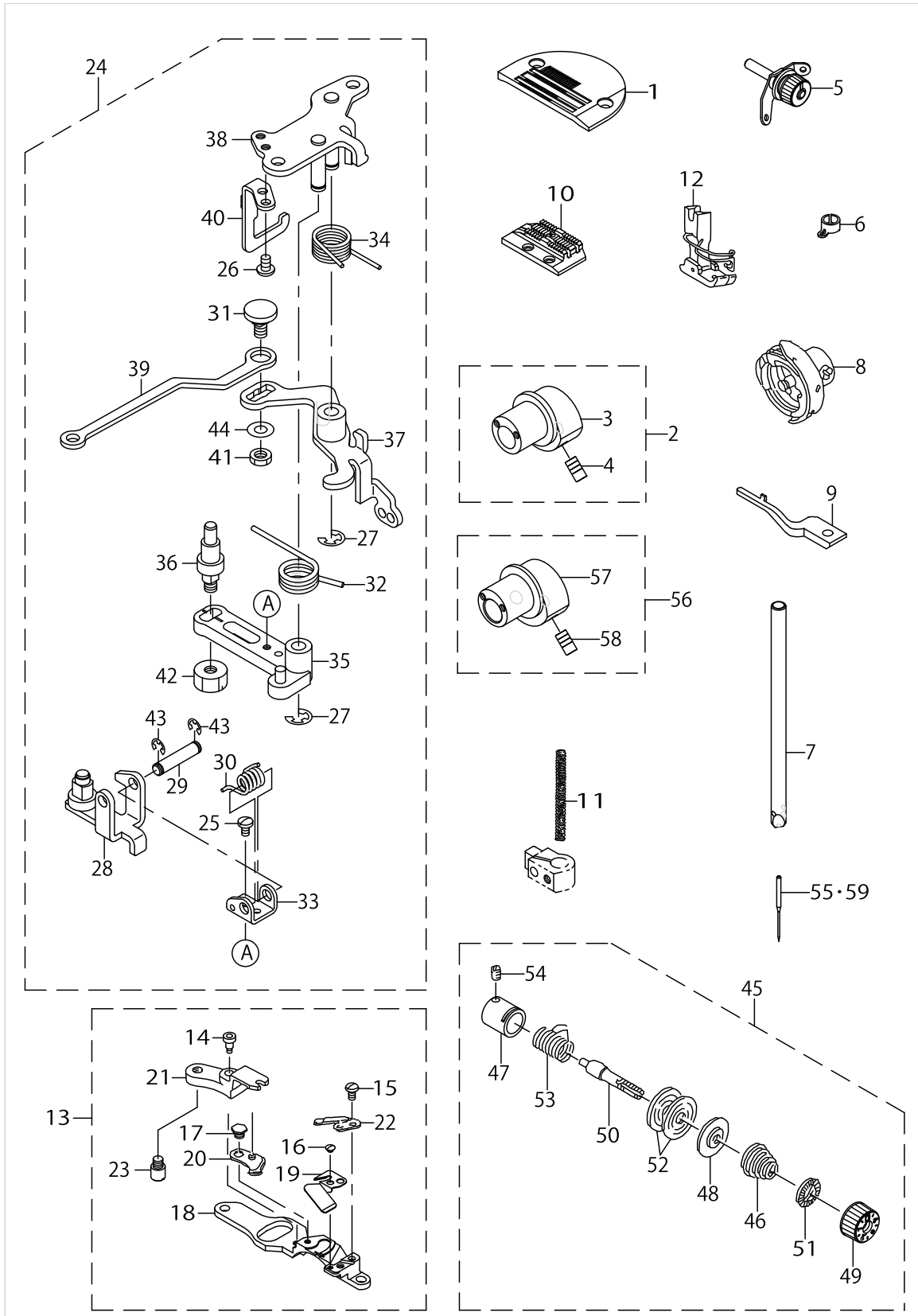
EXCLUSIVE PARTS FOR DLN-9010ASH-WB, -0B



EXCLUSIVE PARTS FOR DLN-9010ASH-WB, -0B

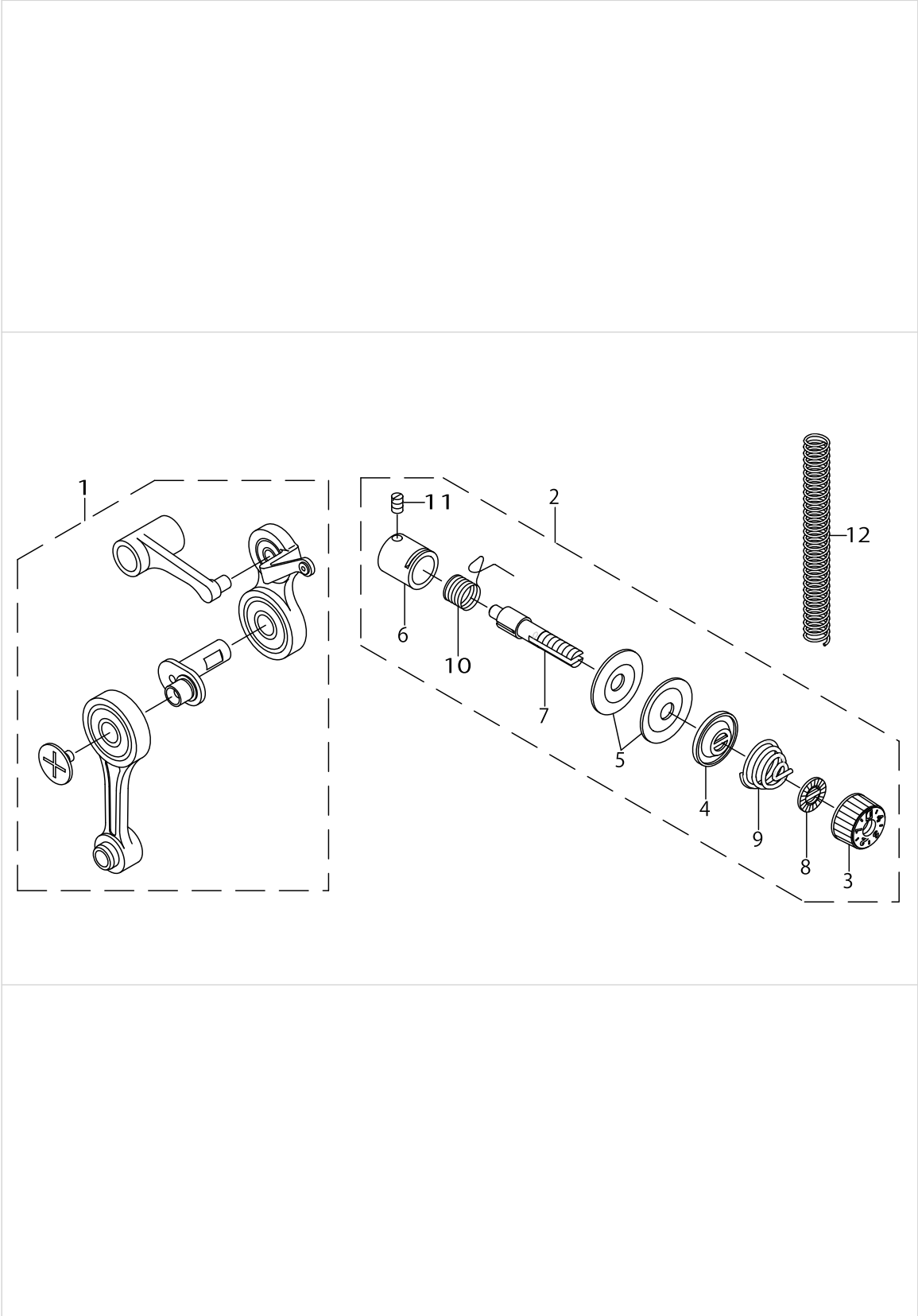
No.	Parts No.	Parts name	Remarks	Level	Cons	Qty
1	B1109415H0B	THROAT PLATE (H)				1
2	40000391	VERTICAL FEED CAM ASM. 5	OPTIONAL PARTS			1
3	40000392	VERTICAL FEED CAM 5		*		1
4	SS8151150TP	SCREW 15/64-28 L=10.5		*		2
5	22963458	THREAD TENSION ASM.				1
6	40024124	NEEDLE BAR THREAD GUIDE			☆	1
7	40000396	NEEDLE BAR H				1
8	11321452	LUBRICATING BOBBIN ASM.			☆	1
9	23646003	POSITIONING FINGER H			☆	1
10	11322203	FEED DOG, H			☆	1
11	B1505552000A	PRESSER SPRING				1
12	B1524041EB0	PRESSER FOOT ASM.				1
13	23645252	KNIFE UNIT H				1
14	SD0460703TP	HINGE SCREW D=4.6 H=7		*		1
15	SS4080620TP	SCREW 1/8-44 L=6		*		2
16	SS2060210SP	SCREW 3/32-56 L=2.3		*	☆	1
17	SD0500131TP	HINGE SCREW D=5 H=1.25		*		1
18	23645203	KNIFE INSTALLING BASE H		*		1
19	23645401	THREAD GUIDE FOR KNIFE H		*	☆	1
20	11409257	MOVING KNIFE J ASM.		*	☆	1
21	11095601	KNIFE BRANCH		*		1
22	11409604	FIX KNIFE		*	☆	1
23	23623903	PIN		*		1
24	23623176	THREAD TRIMMER DRIVING UNIT H				1
25	SS7090610SP	SCREW 9/64-40 L=6		*		1
26	SS4110715SP	SCREW 11/64-40 L=7		*		2
27	RE0600000K0	E-RING 6		*		2
28	11040953	ROLLER ARM ASM.		*		1
29	22949101	ROLLER FULCRUM SHAFT		*		1
30	22949200	ROLLER RETURN SPRING		*		1
31	22950000	PICKER LINK PIN		*		1
32	22949309	KNIFE RETURN SPRING B		*		1
33	11094307	ROLLER ARM BRACKET		*		1
34	11094406	SPRING		*		1
35	23623150	KNIFE DRIVING ARM ASM.		*		1
36	23623200	MOVING KNIFE LINK PIN		*		1
37	23623358	CLUTCH PLATE ASM.		*		1
38	23623556	BASE PLATE ASM.		*		1
39	23623705	PICKER LINK		*		1
40	23623804	DRIVING ARM STOPPER		*		1
41	NS6150310SP	NUT 15/64-28		*		1
42	NS6150810SP	NUT 15/64-28		*		1
43	RE0400000K0	E-RING 4		*		2
44	WP0621016SH	WASHER		*		1
45	23626062	THREAD TENSION ASM. ,H				1
46	22962005	THREAD TENSION SPRING		*		1
47	22945307	THREAD TENSION POST BASE		*		1

EXCLUSIVE PARTS FOR DLN-9010ASH-WB, -0B



EXCLUSIVE PARTS FOR DLN-9010ASH-WB, -0B

No.	Parts No.	Parts name	Remarks	Level	Cons	Qty
48	22921803	DISK STOPPER		*		1
49	23626005	THREAD TENSION NUT		*		1
50	22921209	THREAD TENSION POST		*		1
51	22921407	ROTATION STOPPER		*		1
52	22921506	THREAD TENSION DISK		*		2
53	22921605	THREAD TAKE-UP SPRING		*	☆	1
54	SS8090670SP	SCREW 9/64-40 L=5.5		*		1
55	MC200501300	NEEDLE 134 NM130	FOR JE		☆	1
56	23619059	VERTICAL FEED CAM H ASM.				1
57	23619000	VERTICAL FEED CAM H		*		1
58	SS8151150TP	SCREW 15/64-28 L=10.5		*		2
59	MDB100B2100	NEEDLE DBX1 #21	FOR GENERAL EXPORT,JA		☆	1



EXCLUSIVE PARTS FOR DLN-9010ASB-WB, -0B

No.	Parts No.	Parts name	Remarks	Level	Cons	Qty
1	40037439	THREAD TAKE UP COMP.A				1
2	23626062	THREAD TENSION ASM. .H				1
3	23626005	THREAD TENSION NUT		*		1
4	22921803	DISK STOPPER		*		1
5	22921506	THREAD TENSION DISK		*		2
6	22945307	THREAD TENSION POST BASE		*		1
7	22921209	THREAD TENSION POST		*		1
8	22921407	ROTATION STOPPER		*		1
9	22962005	THREAD TENSION SPRING		*		1
10	22921605	THREAD TAKE-UP SPRING		*	☆	1
11	SS8090670SP	SCREW 9/64-40 L=5.5		*		1
12	B1505227T00A	PRESSER SPRING T				1

TABLE & STAND COMPONENTS

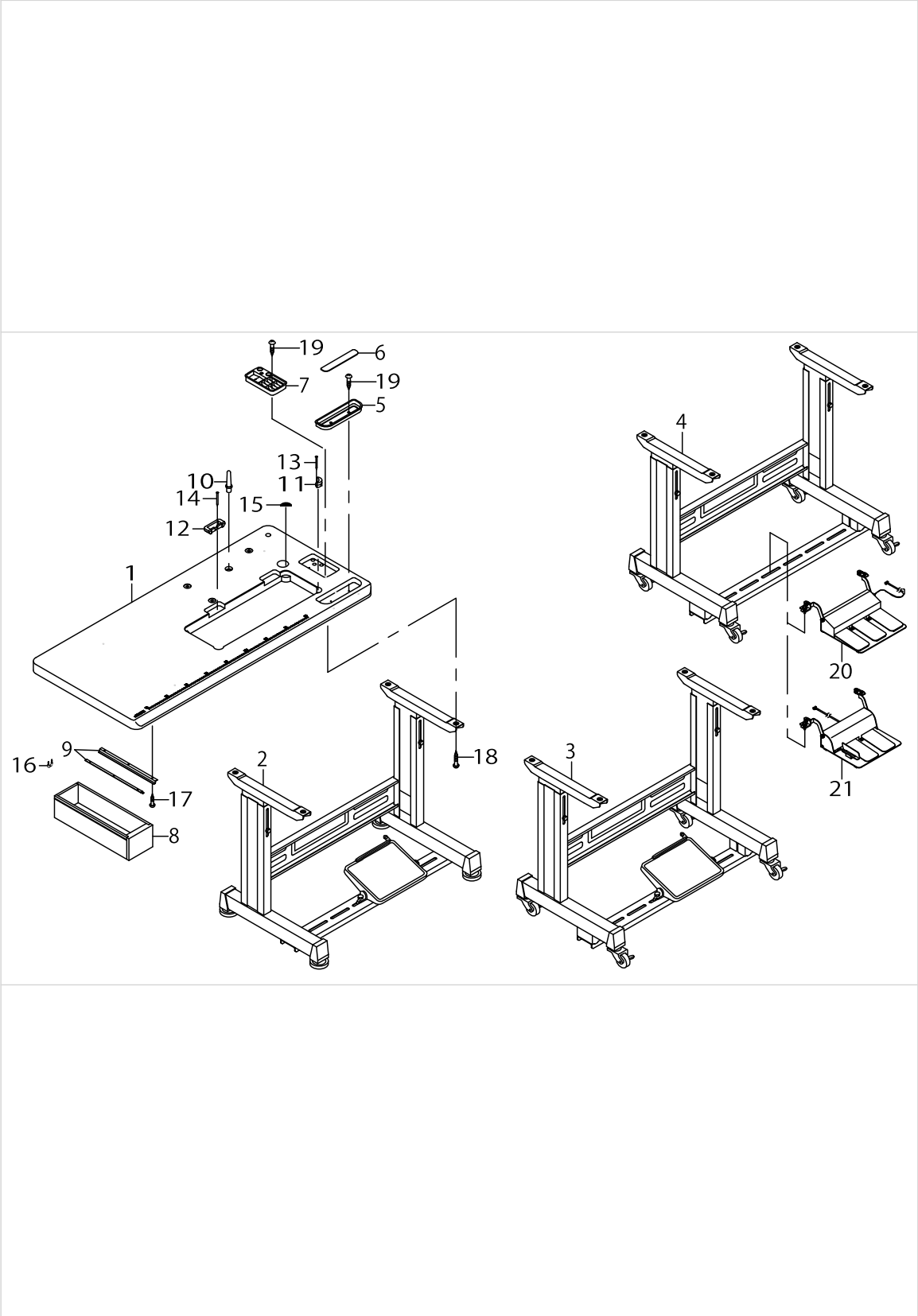


TABLE & STAND COMPONENTS

No.	Parts No.	Parts name	Remarks	Level	Cons	Qty
1	23642200	TABLE				1
2	11157567	T LEG JUNCTION	FOR JT-D950			1
3	11159365	T STAND JUNCTION	FOR JT-D952			1
4	11159357	T-STAND ASM.	FOR JT-D95J,-D95K			1
5	11156007	CASE				1
6	11155801	CASE MAGNET				1
7	11155751	CASE ASM. B				1
8	11155108	DRAWER				1
9	11155207	DRAWER SUPPORT				2
10	11073103	RUBBER CUSHION	EXCEPT TYPE AK			1
11	11075900	RUBBER SPACER				2
12	11075801	RUBBER SPACER				2
13	B8210012000	CUSHION SET NAIL				4
14	B8210012000	CUSHION SET NAIL				4
15	D8226555E00	FRAME RUBBER CUSHION A				2
16	D8204555D00	DRAWER STOPPER				1
17	SK3311600SE	WOOD SCREW D=3.1 L=16				6
18	SK3513200SC	WOOD SCREW D=5.1 L=32				4
19	SK3382001SC	WOOD SCREW D=3.8 L=20				4
20	GPK700010A0	3-JOINT PEDAL, 70	FOR JT-D95J,-D95K			1
21	GPK710010A0	2-PEDAL ASM., 71	FOR JT-D95J,-D95K			1

HOW TO MAKE USE OF THIS PARTS LIST

1.Explanation of codes

1)"*"mark.....means this part is changed from the previous parts book.

As to the details of the change, refer to the "List for information of change".

2)"#01".....refer to "Note" explanation at bottom of page.

2.Codes on the "Qty" column

- Each numeral indicates the number of parts required.
- "0.1" and "2.5" indicate the length (in meters) of the respective parts.

3.Parentheses mean that the corresponding part is a subpart that constructs an assembly part.

4.Dotted lines on the Figures indicate assembly parts.

5.As to the parts with marks of "☆"(consumable parts) and "◎"(optional parts)on the respective parts, it is recommended to prepare spares.

1."注記"欄の記号説明

1) "*"印.....前回のパーツブックに比較して今回変更された部品を意味します。

変更内容は、"変更情報リスト"を参照してください。

2) "#01".....ページ下の"注記"の説明を参照してください。

2.数量欄の数字は、個数を表し、0.1、2.5等の数値は、長さ（単位メートル）を表します。

3.数量欄の（ ）は、組部品を構成している子部品であることを意味します。

4.イラストページの-----枠は、組構成であることを意味します。

5.リストページの"☆"（消耗部品）、"◎"（オプション部品）の印がついた部品は、予備を準備しておくことをお奨めします。

NUMERICAL INDEX OF PARTS

PART NO	PAGE	REF NO.	PART NO	PAGE	REF NO.	PART NO	PAGE	REF NO.
10502300	6	25	22902506	2	10	22933006	40	23
10548501	16	52	22902704	2	14·15	22933105	40	5
11015906	20	82	22902753	2	12·13	22933204	40	6
11033008	30	52	22904106	18	23	22934202	38	30
11038650	20	68·69·79	22904155	18	22	22934251	38	24
11040953	22	18	22906408	8	30	22934301	38	25
11040953	42	28	22906457	8	29	22934400	38	26
11072402	6	30	22907406	10	24	22934509	38	27
11073103	48	10	22907604	10	21	22934608	38	28
11075801	48	12	22907802	10	22	22944508	10	42
11075900	48	11	22908909	10	20	22945307	4	57
11094307	42	33	22911002	18	19	22945307	42	47
11094406	42	34	22911101	18	20	22945307	46	6
11095601	42	21	22911804	14	32	22945414	4	62
11141355	20	68·69·79	22912000	14	29	22945463	4	61
11155108	48	8	22912109	14	33	22945505	4	64
11155207	48	9	22916506	20	81	22945604	4	63
11155751	48	7	22916555	20	80	22945703	4	65
11155801	48	6	22920607	4	60	22945802	4	66
11156007	48	5	22921209	4	51	22949002	22	19
11157567	48	2	22921209	44	50	22949101	22	20
11159357	48	4	22921209	46	7	22949101	42	29
11159365	48	3	22921407	4	52	22949200	22	21
11214509	26	28	22921407	44	51	22949200	42	30
11232105	22	5	22921407	46	8	22949309	22	22
11244019	12	55	22921506	4	53	22949309	42	32
11300308	4	86	22921506	44	52	22949408	22	23
11300407	2	38	22921506	46	5	22950000	22	24
11301702	10	19	22921605	4	54	22950000	42	31
11305901	10	39	22921605	44	53	22950851	24	50
11306107	10	40	22921605	46	10	22950950	24	52
11307006	28	24	22921704	4	55	22952501	14	31
11313053	22	3	22921803	4	56	22954705	2	8
11321452	42	8	22921803	44	48	22955504	34	5
11322203	42	10	22921803	46	4	22955900	34	7
11409257	42	20	22926000	40	11	22956007	34	8
11409604	42	22	22926208	40	13	22956106	34	9
11433802	12	57	22926356	40	14	22956205	34	10
14113450	6	31	22926505	40	15	22956304	34	11
22890008	20	70	22931604	40	3	22956809	34	12
22891204	8	15	22932404	38	15	22956908	34	13
22901201	2	14·15	22932453	38	14	22957104	34	16
22901250	2	12·13	22932800	40	4	22957203	34	15
22901300	2	16·17	22932909	20	71	22958003	40	12
22901805	4	88	22932909	40	16	22958052	40	10

NUMERICAL INDEX OF PARTS

PART NO	PAGE	REF NO.	PART NO	PAGE	REF NO.	PART NO	PAGE	REF NO.
22958300	40	7	23613953	14	24	23623200	22	13
22962005	42	46	23614308	14	27	23623200	42	36
22962005	46	9	23614407	14	46	23623358	22	14
22962906	32	38	23616006	18	2	23623358	42	37
22963458	42	5	23616055	18	1	23623556	22	15
22972608	2	45	23616105	18	4	23623556	42	38
23600208	2	1	23616204	18	5	23623705	22	16
23600505	2	4	23616303	18	6	23623705	42	39
23600604	2	5	23616402	18	7	23623804	22	17
23600703	2	6	23616501	18	9	23623804	42	40
23600802	2	7	23616550	18	8	23623903	22	11
23601057	4	89	23616709	18	12	23623903	42	23
23601305	2	9	23616808	18	14	23624000	22	33
23604010	8	1	23616857	18	13	23624109	22	35
23604119	8	3	23616907	18	17	23624158	22	34
23604168	8	2	23617053	20	75	23624257	22	36
23605256	8	19	23618002	20	84	23624406	22	40
23607302	8	23	23618051	20	83	23624505	24	48
23609001	10	1	23618101	18	40	23624554	22	47
23609209	10	3	23618200	18	41	23626005	4	50
23609456	10	6	23618309	18	42	23626005	44	49
23609605	10	7	23618408	18	43	23626005	46	3
23609803	10	13	23618606	18	45	23626054	4	49
23609902	10	14	23618705	18	46	23626062	42	45
23610207	10	16	23618804	18	47	23626062	46	2
23610306	10	17	23619000	44	57	23626104	4	59
23610504	12	53	23619059	44	56	23628100	28	2
23610652	12	54	23619109	20	77	23628209	28	33
23610702	12	56	23619158	20	76	23628357	28	3
23610801	12	48	23620008	20	56	23628555	28	4
23611056	12	51	23620156	20	57	23628704	28	5
23611106	12	52	23620354	20	59	23628803	28	35
23612500	16	48	23620404	20	73	23628902	28	36
23612609	16	49	23620503	20	61	23629009	28	37
23612716	14	9	23620701	20	62~65	23629108	28	6
23612807	14	11	23620800	20	62~65	23629306	28	10
23613003	14	14	23620909	20	62~65	23629405	28	47
23613052	14	13	23621006	20	62~65	23629504	28	12
23613102	14	16	23621303	20	68·69·79	23629702	28	16
23613300	14	18	23622400	8	13	23629801	28	14
23613409	14	19	23623002	22	2	23629900	4	82
23613508	14	20	23623150	22	32	23630007	14	47
23613607	14	21	23623150	42	35	23630007	28	45
23613706	14	22	23623168	22	12	23630106	28	46
23613805	14	23	23623176	42	24	23630205	28	30

NUMERICAL INDEX OF PARTS

PART NO	PAGE	REF NO.	PART NO	PAGE	REF NO.	PART NO	PAGE	REF NO.
23630403	30	48	40000209	2	2	40000340	28	8
23630452	28	43	40000210	2	3	40000342	28	23
23630502	30	49	40000212	2	25	40000343	28	13
23630601	28	44	40000220	8	25-27	40000344	28	39
23631203	32	6	40000221	8	25-27	40000349	32	11
23631302	32	10	40000227	10	2	40000350	32	25
23631708	32	22	40000228	10	4	40000351	32	36
23631807	32	23	40000229	10	8	40000355	34	1
23631906	32	24	40000230	10	12	40000356	34	2
23632102	32	26	40000231	10	15	40000358	34	3
23632250	32	27	40000232	10	18	40000359	34	4
23632359	32	17	40000233	10	23	40000361	34	14
23636657	6	29	40000247	18	11	40000380	32	20
23638000	4	72	40000248	20	72	40000381	32	21
23638109	4	73	40000249	18	18	40000391	42	2
23638208	4	74	40000257	18	37	40000392	42	3
23638307	4	75	40000258	18	38	40000396	42	7
23638406	4	76	40000264	20	66	40009724	16	51
23639008	38	3	40000265	20	67	40009727	14	26
23639107	38	7	40000270	8	10	40009729	16	57
23639156	38	5	40000281	26	1	40009730	14	5
23639206	38	12	40000289	26	2	40009731	16	50
23639305	38	23	40000290	40	25	40009789	16	54
23639404	38	9	40000291	26	4	40010434	8	14
23639503	38	10	40000292	26	5	40011144	6	15
23639602	38	11	40000293	26	7	40011344	28	1
23639701	40	2	40000295	26	9	40011711	18	44
23642200	48	1	40000296	26	10	40011723	14	30
23645203	42	18	40000298	26	13	40011724	16	55
23645252	42	13	40000299	26	14	40012032	14	6
23645401	42	19	40000301	26	15	40013470	14	17
23646003	42	9	40000302	26	16	40014837	6	16
26260109	6	2	40000304	26	19	40020454	8	33
26260208	6	3	40000307	26	20	40020455	8	35
26260307	6	4	40000308	26	21	40022407	2	11
26260406	6	5	40000309	26	24	40023021	6	1
26260505	6	6	40000311	26	25	40023022	6	17
26260604	6	7	40000322	22	1	40023289	14	28
26260802	6	8	40000323	22	6	40023290	24	54
26261008	6	9	40000324	22	7	40023291	6	26
26261206	6	10	40000327	10	36	40024124	42	6
26261305	6	11	40000332	10	38	40024644	30	50
26261503	6	12	40000333	10	28	40029963	18	21
26261602	6	13	40000334	10	37	40031605	20	90
26261701	6	14	40000339	28	7	40031606	20	88

NUMERICAL INDEX OF PARTS

PART NO	PAGE	REF NO.	PART NO	PAGE	REF NO.	PART NO	PAGE	REF NO.
40031607	20	87	40118553	22	38	GPK710010A0	48	21
40031608	20	86	40118554	22	39	HA00600000A	34	17
40033391	14	1	40145927	20	58	HK034610040	4	79
40033392	14	2	40150131	4	92	HK03464000B	32	4
40033393	14	3	B1109415H0B	42	1	HX00150000C	28	9
40035589	2	19	B1116210D00	38	4	MC200500900	8	26·28
40037439	46	1	B1414555000	8	32	MC200500902	40	20·21
40037484	40	1	B1418552A00	8	38	MC200501300	44	55·59
40039946	8	22	B1505227T00A	46	12	MDB100B1400	8	26·28
40044906	8	11	B1505552000A	42	11	MDB100B1402	40	20·21
40051473	8	8	B1521555000	10	25	MDB100B2100	44	55·59
40052274	14	12	B1524041EB0	42	12	MDFRX1600C0	40	19
40055585	14	8	B1905541A00	26	29~32	NM6040000SN	22	41
40055591	40	8	B1905541B00	26	29~32	NM6050001SE	36	25
40061545	16	61	B1905541C00	26	29~32	NM6060001SE	38	8
40061560	16	59	B1905541D00	26	29~32	NS6090310SP	2	46
40062321	38	1	B2906415000	26	33	NS6090310SP	34	21
40062323	38	2	B3118552I00	4	84	NS6110310SP	14	36
40070090	40	22	B3126012000	6	32	NS6110310SP	34	22
40085784	36	17	B3538112000	2	21	NS6110350SP	32	39
40085785	36	18	B412352200A	18	28~30	NS6110530SP	6	34
40085786	36	2	B412352200B	18	28~30	NS6150310SP	10	47
40085787	36	3	B412352200C	18	28~30	NS6150310SP	14	37
40085788	36	4	B8210012000	48	14	NS6150310SP	22	25
40085789	36	5	B91210120A0	40	18	NS6150310SP	26	35
40085790	36	6	CM300200001	2	23	NS6150310SP	38	17
40085791	36	7	CM300200003	2	24	NS6150310SP	42	41
40085792	36	19	CM301300001	2	22	NS6150430SP	26	36
40085793	36	20	CM600100101	4	48	NS6150810SP	22	26
40085794	36	8	CQ200000001	28	40	NS6150810SP	42	42
40085795	36	9	CS064061ASP	10	10	NS6620310SP	10	44
40085796	36	23	CS111101CSH	14	34	RC0150001KP	18	31
40089196	8	18	CS120101BSH	26	34	RC0560711KP	6	18
40094561	4	91	D1524415BBC	10	26	RE0250000K0	34	23
40096325	36	21	D1609415B00	18	25	RE0300000K0	10	41
40096326	36	10	D2468555B00	32	5	RE0400000K0	6	19
40096327	36	12	D7133555B00	6	33	RE0400000K0	22	27
40098386	4	77	D8204555D00	48	16	RE0400000K0	42	43
40098777	4	71	D8226555E00	48	15	RE0500000K0	10	11
40106938	34	6	EA9500B0100	4	78	RE0500000K0	14	38
40108064	32	3	EA9500B0100	8	37	RE0500000K0	34	24
40108401	36	16	EA9500B0100	32	28	RE0600000K0	22	28
40108402	36	1	EA9500B0100	40	9	RE0600000K0	42	27
40109067	32	2	GAKA1843000	10	30	RE1000000K0	38	19
40109068	32	1	GPK700010A0	48	20	RE1200000K0	32	7

NUMERICAL INDEX OF PARTS

PART NO	PAGE	REF NO.	PART NO	PAGE	REF NO.	PART NO	PAGE	REF NO.
RO029180100	28	34	SM8040802TP	6	21	SS6090670TP	8	31
RO037180100	10	29	SM8050502TP	6	22	SS6090670TP	14	42
RO044240100	12	50	SM8051610SP	8	34	SS6090670TP	18	54
RO048190100	28	41	SM80608A2TP	8	24	SS6090670TP	20	54
RO068190100	28	38	SM80608A2TP	14	41	SS6090810TP	10	45
RO080150200	4	83	SM8063012TR	38	6	SS6110610TP	4	69
RO092270200	14	40	SM9061203SE	38	29	SS6110650TP	20	60
RO098240100	28	25	SM9061853SR	38	22	SS6110710TP	20	55
RO195240100	28	26	SM9062053SR	38	16	SS6110710TP	24	49
SB117000400	20	51	SS1120710SP	2	44	SS6111010TP	20	74
SB120000800	8	21	SS2060210SP	22	9	SS6121030SN	6	24
SB120001000	20	52	SS2060210SP	42	16	SS6121220TP	40	17
SB307000200	8	16	SS2110915SP	2	27	SS6121610SP	14	25
SB309000400	26	38	SS2110920TP	2	28	SS6121610SP	18	10
SB32000060A	20	48~50	SS4080620TP	18	32	SS6121840SP	14	43
SB32000060B	20	48~50	SS4080620TP	22	10	SS6121860SP	14	44
SB32000060C	20	48~50	SS4080620TP	42	15	SS6151920TP	8	17
SD0460703TP	22	8	SS4110615SP	4	81	SS6151920TP	14	45
SD0460703TP	42	14	SS4110715SP	2	67	SS6660610TP	24	51
SD0500095TH	22	4	SS4110715SP	4	67	SS6661110SP	16	58
SD0500131TP	42	17	SS4110715SP	10	46	SS7080510TP	8	36
SD0600321SP	24	55	SS4110715SP	22	44	SS7090610SP	22	30
SD0630275SP	24	56	SS4110715SP	42	26	SS7090610SP	42	25
SD0640261SP	12	59	SS4120615SP	2	90	SS7091110TP	10	33
SD0641452TP	22	43	SS4120615SP	4	90	SS7091110TP	26	3
SD0650321TP	34	25	SS4120615SP	10	43	SS7110410SP	10	32
SD0720331SP	38	20	SS4120615SP	28	42	SS7110740TP	18	36
SD0800801TP	26	26	SS4120915SP	2	33	SS7110740TP	32	29
SD0800802TP	26	27	SS4120915SP	14	7	SS7111410TP	10	35
SD0951501SP	32	32	SS4120915SP	32	33	SS7112420SP	20	91
SK3311600SE	48	17	SS4121015SP	10	31	SS7112420SP	26	40
SK3382001SC	48	19	SS4121015SP	28	28	SS7121410TP	18	15
SK3513200SC	48	18	SS4121215SP	34	26	SS7121410TP	26	22
SL4030631SC	34	18	SS4150915SP	2	35	SS7681650TP	8	4
SL4030641SE	34	19	SS4150915SP	6	27	SS8090670SP	4	58
SL6052592TN	2	26	SS4150915SP	22	46	SS8090670SP	44	54
SL6052592TN	8	7	SS4150915SP	32	34	SS8090670SP	46	11
SM4021201SC	4	80	SS4151415SP	32	37	SS8110520TP	24	53
SM4040655SP	2	36	SS6060210SP	2	18	SS8150710TP	4	70
SM4051405SE	36	24	SS6090540SP	34	20	SS8150822TP	20	89
SM5040655SN	6	20	SS6090620TP	6	28	SS8151150TP	18	85
SM6040602TP	10	9	SS6090620TP	18	34	SS8151150TP	20	85
SM6051602TP	26	6	SS6090620TP	22	37	SS8151150TP	42	58
SM6061802TP	16	60	SS6090620TP	28	29	SS8151150TP	44	58
SM8040412TP	14	4	SS6090660TP	26	39	SS8660330SP	14	35

NUMERICAL INDEX OF PARTS

PART NO	PAGE	REF NO.
SS8660610TP	8	6
SS8660610TP	18	24
SS8660612TP	14	10
SS8661012TP	18	53
SS8661012TP	20	53
SS8681650TP	8	5
ST4040821SS	30	51
TA0340201R0	26	8
TA0850604R0	2	37
TA0950806R0	2	47
TA1250406R0	2	85
TA1250406R0	4	85
TA1250705R0	2	41
TA1250804R0	2	20
TA1270502R0	2	42
TA1470704R0	2	87
TA1470704R0	4	87
WP0430800SC	22	42
WP0450826SC	6	23
WP0480856SP	12	58
WP0480856SP	18	16
WP0480856SP	26	23
WP0501016SD	10	34
WP0501016SD	28	31
WP0501016SD	32	35
WP0501016SD	40	24
WP0531001SC	36	15
WP0553216SD	34	27
WP0602016SP	26	41
WP0621016SD	12	49
WP0621016SD	26	37
WP0621016SH	22	31
WP0621016SH	42	44
WP0650876SD	38	13
WP0651001SC	10	27
WP0951016SP	16	53
WP1612616SE	36	22
WP1703001SC	32	9
WS0510002KN	36	14
WS0510002KP	14	39
WS0510002KP	28	32