

MODEL : DDL-8100e

List No : 1556-03

PARTS LIST

Published:09/10/2017

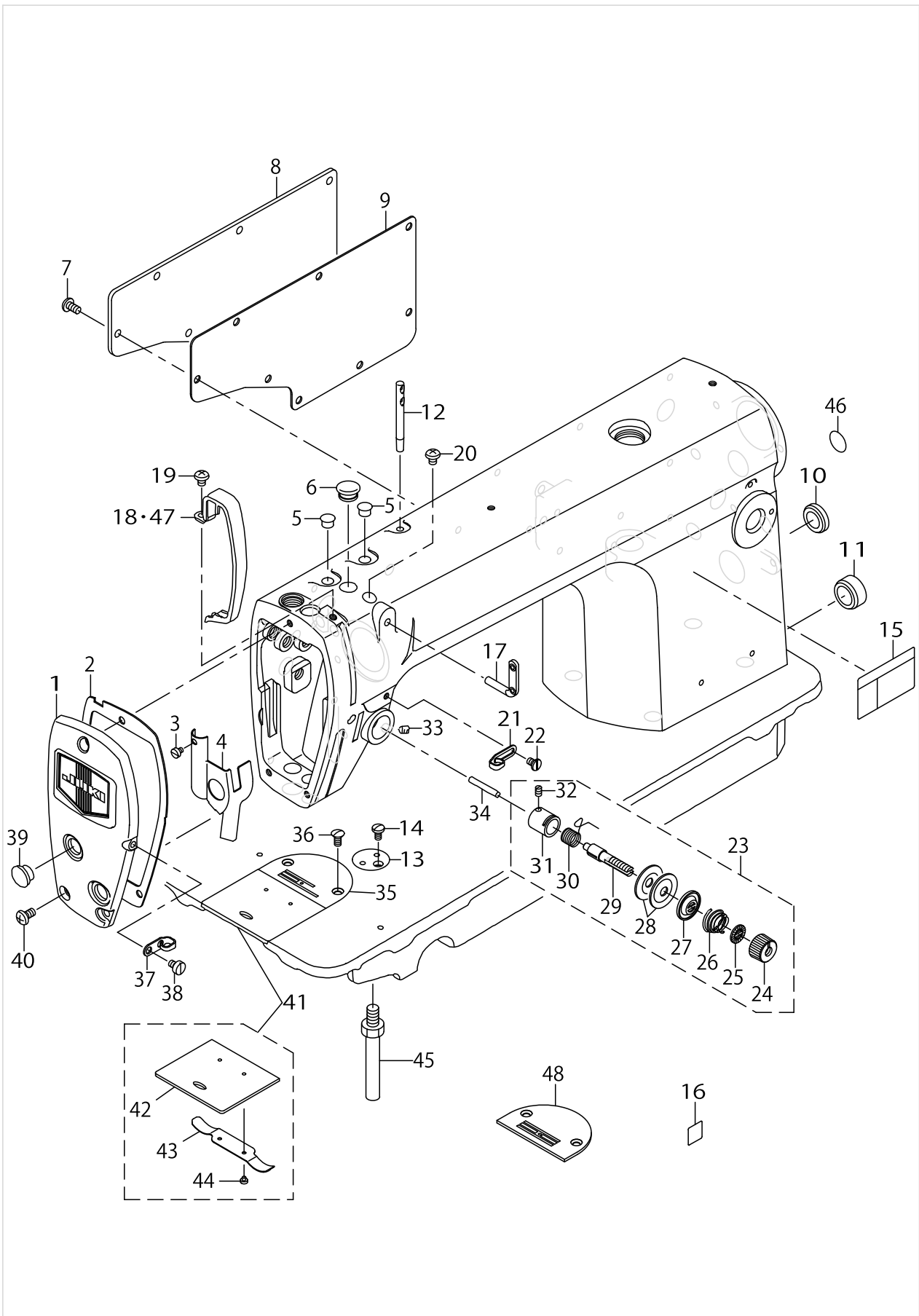
CONTENTS

MACHINE FRAME & MISCELLANEOUS COVER COMPONENTS	1
MAIN SHAFT & THREAD TAKE-UP LEVER COMPONENTS	5
NEEDLE BAR, UPRIGHT SHAFT & HOOK DRIVING SHAFT COMPONENTS	7
HAND LIFTER COMPONENTS	9
FEED MECHANISM COMPONENTS.....	11
OIL LUBRICATION COMPONENTS	15
OIL RESERVOIR COMPONENTS	17
BELT COVER & BOBBIN COMPONENTS.....	19
THREAD STAND COMPONENTS.....	21
EXCLUSIVE PARTS	23
LIST FOR INFORMATION OF CHANGE.....	25
HOW TO MAKE USE OF THIS PARTS LIST	26

MACHINE FRAME & MISCELLANEOUS COVER COMPONENTS

No.	Parts No.	Parts name	Remarks	Level	Cons	Qty
1	40102097	FACE PLATE ASM.				1
2	40012126	FACE PLATE PACKING				1
3	SS6080410SP	SCREW 1/8-44 L=4				1
4	22900757	FACE PLATE OIL SHIELD ASM.				1
5	TA0850604R0	RUBBER PLUG				2
6	TA1250705R0	RUBBER PLUG				1
7	SS4120915SP	SCREW 3/16-28 L=9				8
8	40124927	WINDOW_PLATE				1
9	40012129	SIDE PLATE PACKING				1
10	TA2000502R0	RUBBER PLUG				1
11	TA2101002R0	RUBBER PLUG				1
12	22958300	NEEDLE THREAD GUIDE PIN				1
13	40124928	RULER STOP SEAT				1
14	SS7110720SP	SCREW 11/64-40 L=7				1
15	40102261	SAFETY LABEL S				1
16	CM600100101	WEEE MARK LABEL S				1
17	22920706	TWO EYELET				1
18	22900609	THREAD TAKE-UP LEVER COVER				1
19	SS4120615SP	SCREW 3/16-28 L=6				1
20	SS4120615SP	SCREW 3/16-28 L=6				1
21	22920508	ARM THREAD GUIDE A				1
22	22921001	SCREW				1
23	22945356	THREAD TENSION ASM.				1
24	22921308	THREAD TENSION NUT		*		1
25	22921407	ROTATION STOPPER		*		1
26	22921704	THREAD TENSION SPRING A		*		1
27	22921803	DISK STOPPER		*		1
28	22921506	THREAD TENSION DISK		*		2
29	22921209	THREAD TENSION POST		*		1
30	22921605	THREAD TAKE-UP SPRING		*	☆	1
31	22945307	THREAD TENSION POST BASE		*		1
32	SS8090670SP	SCREW 9/64-40 L= 5.5		*		1
33	SS8150710TP	SCREW 15/64-28 L=7				1
34	B3118552E00	TENSION RELEASING				1
35	11028008	THROAT PLATE				1
36	SS2110920TP	SCREW 11/64-40 L=8.5				2
37	22920607	ARM THREAD GUIDE B				1
38	SS6110610TP	SCREW 11/64-40 L=6				1
39	TA1250406R0	RUBBER PLUG D=12.5 L=4				2
40	SS4120915SP	SCREW 3/16-28 L=9				3
41	22901250	SLIDE PLATE ASM.				1
42	22901201	SLIDE PLATE		*		1
43	22901300	SLIDE PLATE SPRING		*		1
44	SS6060210SP	SCREW 3/32-56 L= 1.9		*		2
45	22901003	BED SCREW STUD				4
46	22901805	GROUND MARK				1
47	11415205	THREAD TAKE-UP LEVER COVER(JE)	FOR JE			1

MACHINE FRAME & MISCELLANEOUS COVER COMPONENTS



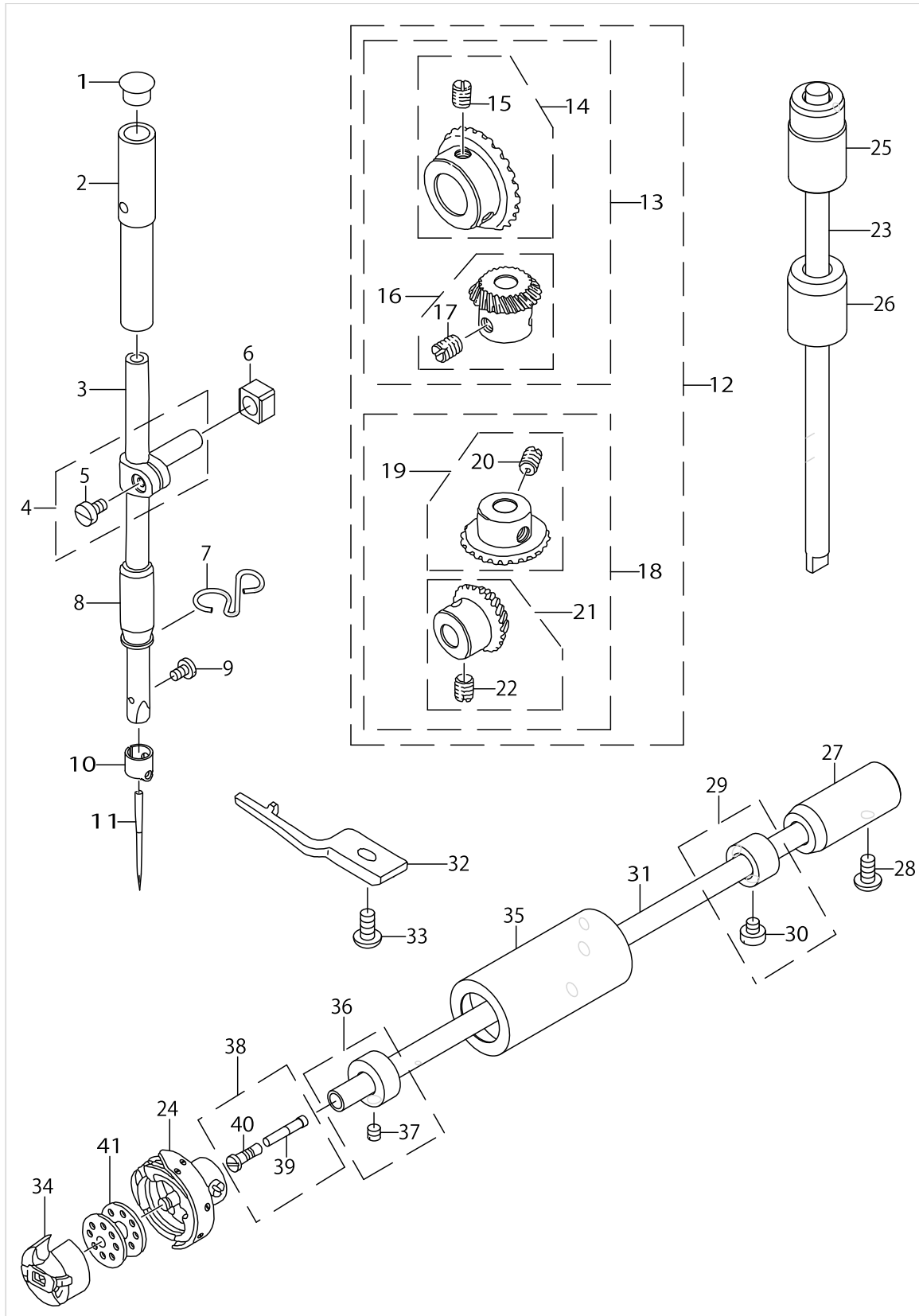
MACHINE FRAME & MISCELLANEOUS COVER COMPONENTS

No.	Parts No.	Parts name	Remarks	Level	Cons	Qty
48	22965909	THROAT PLATE	ONLY VIETNAM USES IT.			1

MAIN SHAFT & THREAD TAKE-UP LEVER COMPONENTS

No.	Parts No.	Parts name	Remarks	Level	Cons	Qty
1	SS8151150TP	SCREW 15/64-28 L=10.5				1
2	40106138	THREAD_TAKE-UP_CRANK_SHAFT_ASM				1
3	22919203	OIL PROTECTING RUBBER				1
4	22918072	THREAD TAKE-UP LEVER COMPL.				1
5	22918064	THREAD TAKE-UP LEVER ASM.		*		1
6	22918502	NEEDLE BEARING B	SELECTIVE PARTS	*		2
7	22918106	NEEDLE BAR CRANK		*		1
8	22906606	NEEDLE BAR CRANK ROD		*		1
9	22918304	LEFT SCREW		*		1
10	40110390	COUNTER_WEIGHT_ASM.				1
11	SS8681650TP	SCREW 9/32-28 L=16		*		2
12	SS8660610TP	SCREW 1/4-40 L=6		*		2
13	40110376	COUNTER_WEIGHT		*		1
14	22903900	ADJUSTING PIN				1
15	RO029180100	RUBBER RING				1
16	22910053	FEED DRIVE ECCENTRIC CAM ASM.				1
17	SS6661110SP	SCREW 1/4-40 L=11		*		2
18	22910004	FEED DRIVE ECCENTRIC CAM		*		1
19	22903009	MAIN SHAFT				1
20	40048594	MAIN SHAFT BUSHING				1
21	40105231	OIL SEAL				1
22	SS8151550SP	SCREW 15/64-28 L=15				2
23	22904155	MAIN SHAFT THRUST COLLAR ASM.				1
24	SS8660610TP	SCREW 1/4-40 L=6		*		2
25	22903207	MAIN SHAFT BUSHING FRONT				1
26	B1215552000	OIL ADJUSTING COLLAR				1
27	22903306	BUSHING INTERMEDIATE				1
28	11002904	ROLLER FELT				1
29	40101350	HAND WHEEL				1
30	22910103	THRUST COLLAR				1
31	SS4090615SP	SCREW 9/64-40 L=6				2

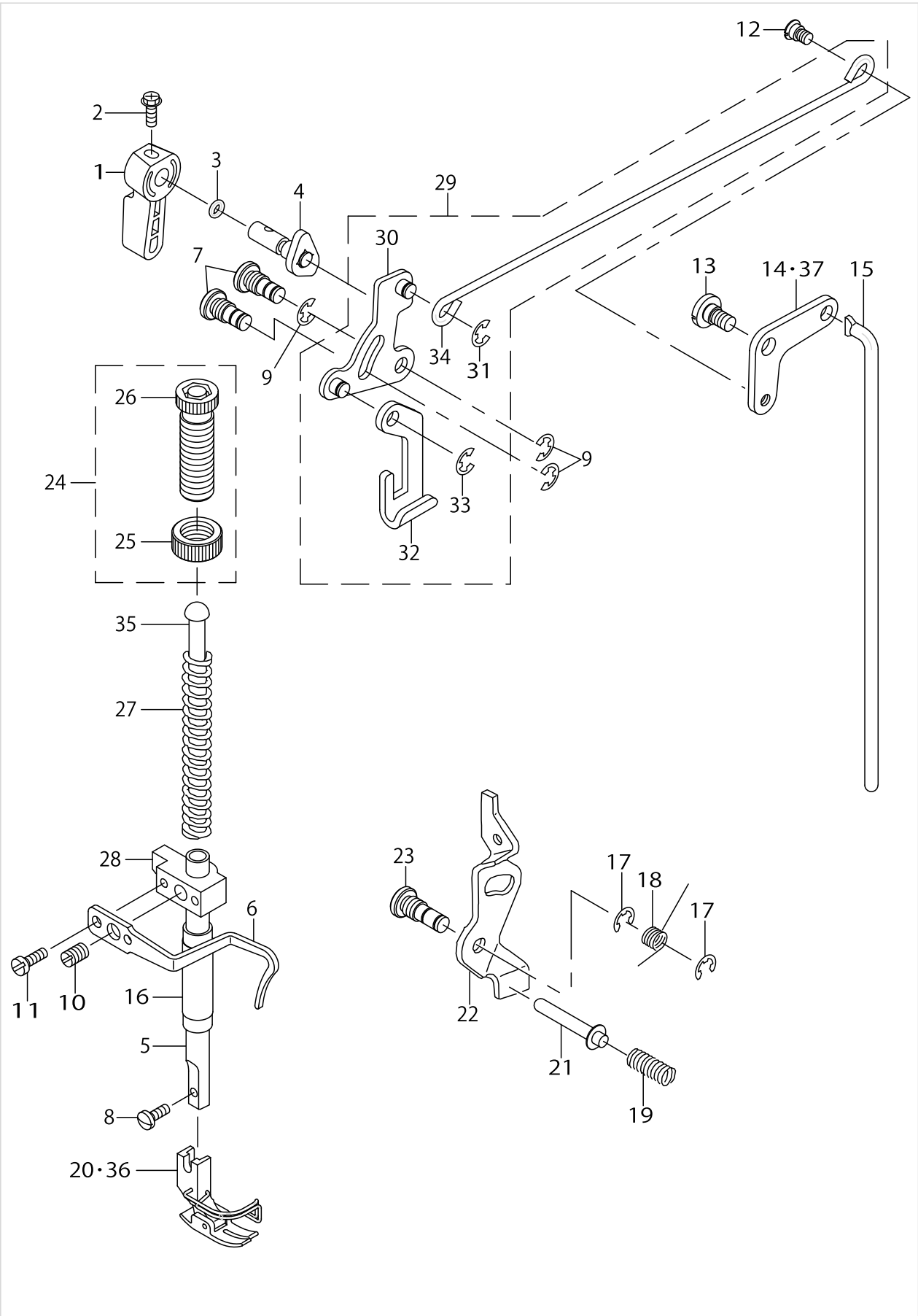
NEEDLE BAR, UPRIGHT SHAFT & HOOK DRIVING SHAFT COMPONENTS



NEEDLE BAR, UPRIGHT SHAFT & HOOK DRIVING SHAFT COMPONENTS

No.	Parts No.	Parts name	Remarks	Level	Cons	Qty
1	TA0850604R0	RUBBER PLUG				1
2	22906101	NEEDLE BAR BUSHING UPPER				1
3	22906002	NEEDLE BAR				1
4	22906457	NEEDLE BAR HOLDER ASM.				1
5	SS6090670TP	SCREW 9/64-40 L=6		*		1
6	40090058	SLIDE BLOCK				1
7	22920805	NEEDLE BAR THREAD GUIDE				1
8	40101441	NEEDLE BAR BUSHING LOWER				1
9	SS7080510TP	SCREW 1/8-44 L=4.5			☆	1
10	22906309	NEEDLE BAR THREAD GUIDE				1
11	MDB100B1400	NEEDLE DBX1 #14			☆	1
12	B13061550C0	GEAR & PINION ASM.	ONLY VIETNAM USES IT.			1
13	B13061550B0	GEAR & PINION ASM. UPPER	ONLY VIETNAM USES IT.	*		1
14	40090002	UPPER LARGE BEVEL GEAR ASM.		*		1
15	SS8660810TP	SCREW 1/4-40 L=8		*		2
16	40090003	UPPER SMALL BEVEL GEAR ASM.		*		1
17	SS8660810TP	SCREW 1/4-40 L=8		*		2
18	B13071550B0	GEAR & PINION ASM. LOWER	ONLY VIETNAM USES IT.	*		1
19	40090004	LOWER LARGE BEVEL GEAR ASM.		*		1
20	SS8660810TP	SCREW 1/4-40 L=8		*		2
21	40090005	LOWER SMALL BEVEL GEAR ASM.		*		1
22	SS8660810TP	SCREW 1/4-40 L=8		*		2
23	40101461	UPRIGHT SHAFT				1
24	40122606	HOOK ASM.			☆	1
25	22905103	UPRIGHT SHAFT BUSHING UPPER				1
26	22905202	UPRIGHT SHAFT BUSHING LOWER				1
27	22916308	HOOK DRIVING SHAFT BUSH REAR				1
28	SS4120915SP	SCREW 3/16-28 L=9				1
29	22917157	THRUST COLLAR ASM. REAR				1
30	SS6110420TP	SCREW 11/64-40 L=4.8		*		2
31	22916001	HOOK DRIVING SHAFT				1
32	22916407	BOBBIN CASE POSITIONING FINGER				1
33	SS4110915TP	SCREW 11/64-40 L=9				1
34	B18370120A0	BOBBIN CASE ASM.			☆	1
35	40101992	HOOK_DRIVING_SHAFT_BUSH_FRONT				1
36	40101694	THRUST COLLAR ASM. FRONT				1
37	SS8110410TP	SCREW 11/64-40 L= 3.5		*		1
38	22916555	OIL SEAL SCREW ASM.				1
39	11015906	OIL WICK		*		1
40	22916506	SET SCREW		*		1
41	22932909	BOBBIN			☆	1

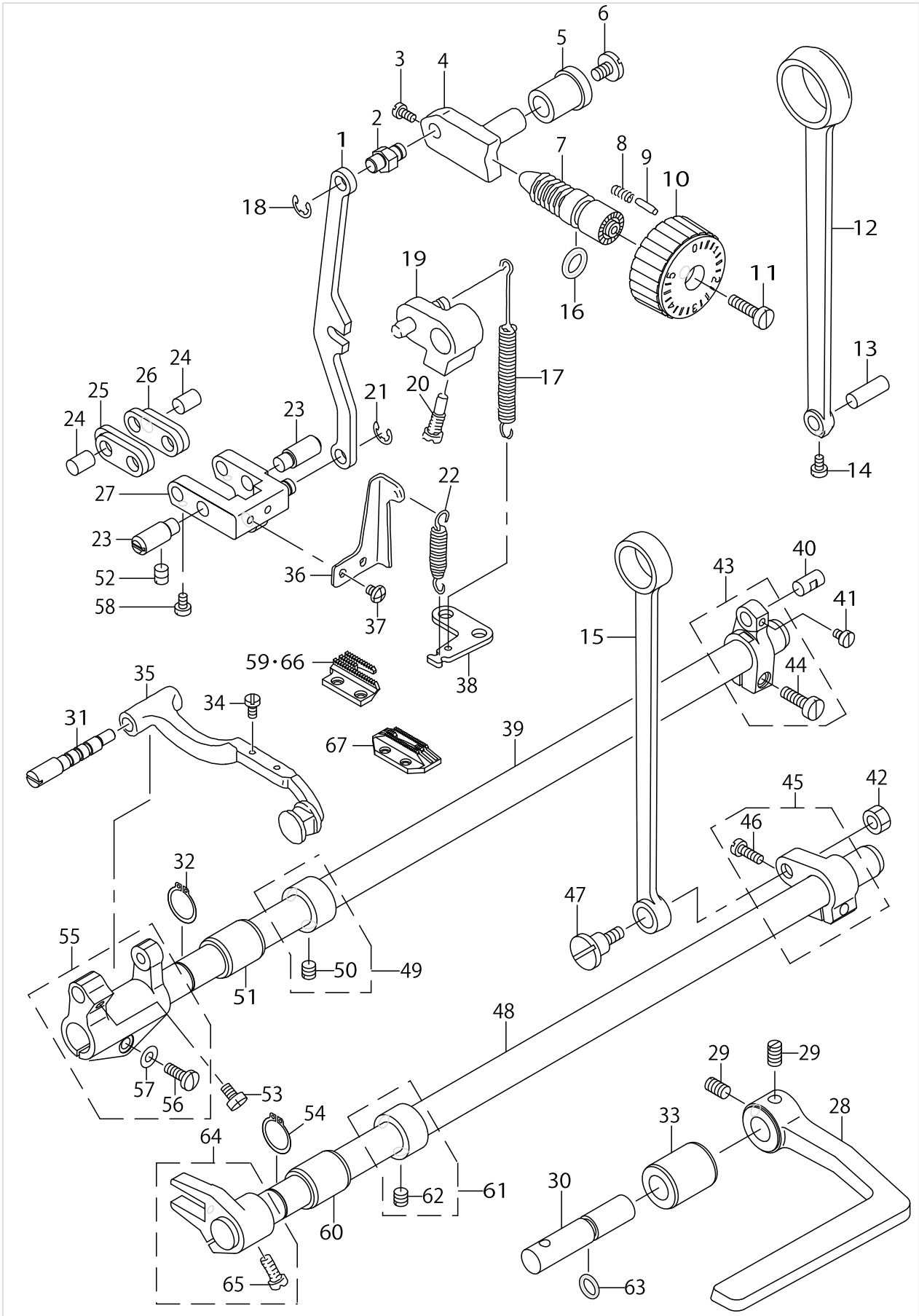
HAND LIFTER COMPONENTS



HAND LIFTER COMPONENTS

No.	Parts No.	Parts name	Remarks	Level	Cons	Qty
1	22907802	HAND LIFTER				1
2	B1521555000	SCREW				1
3	RO037180100	RUBBER RING				1
4	22908552	HAND LIFTER CAM ASM.				1
5	40017805	PRESSER BAR				1
6	22907307	THREAD GUIDE				1
7	22908701	LINK SHAFT				1
8	SS7091110TP	SCREW 9/64-40 L=10.5				1
9	RE0500000K0	E-RING				3
10	SS8660810TP	SCREW 1/4-40 L=8				1
11	SS6090910SP	SCREW 9/64-40 L=9				2
12	22908909	HINGE SCREW				1
13	SD0720331SP	HINGE SCREW D= 7.24 H= 3.3				1
14	22908800	KNEE LIFTER LINK				1
15	22909006	KNEE LIFTER CONNECTING ROD				1
16	40060989	PRESSER BAR BUSHING LOWER				1
17	RE0500000K0	E-RING				2
18	22920201	RETURN SPRING				1
19	22920409	THREAD RELEASE PIN SPRING				1
20	40102595	PRESSER FOOT ASM.				1
21	22920300	THREAD RELEASE SUPPORTING PIN				1
22	22920003	THREAD RELEASE PLATE				1
23	22920102	TENSION RELEASE SHAFT				1
24	22907554	PRESSER SPRING REGULATOR ASM.				1
25	22907604	PRESSER SPRING REGULATOR NUT		*		1
26	22907505	PRESSER SPRING REGULATOR		*		1
27	22907406	PRESSER SPRING				1
28	40098388	PRESSER BAR GUIDE BRACKET				1
29	22908354	KNEE LIFTING CROSS ROD ASM.				1
30	22908156	LIFTING LINK ASM.		*		1
31	RE0500000K0	E-RING		*		1
32	22908008	LIFTING PLATE		*		1
33	RE0500000K0	E-RING		*		1
34	22908305	KNEE LIFTER SIDE ROD		*		1
35	22907703	PRESSER GUIDE BAR				1
36	B15240120BA	PRESSER FOOT ASM.	ONLY VIETNAM USES IT.			1
37	40124929	KNEE LIFTER LINK	ONLY VIETNAM USES IT.			1

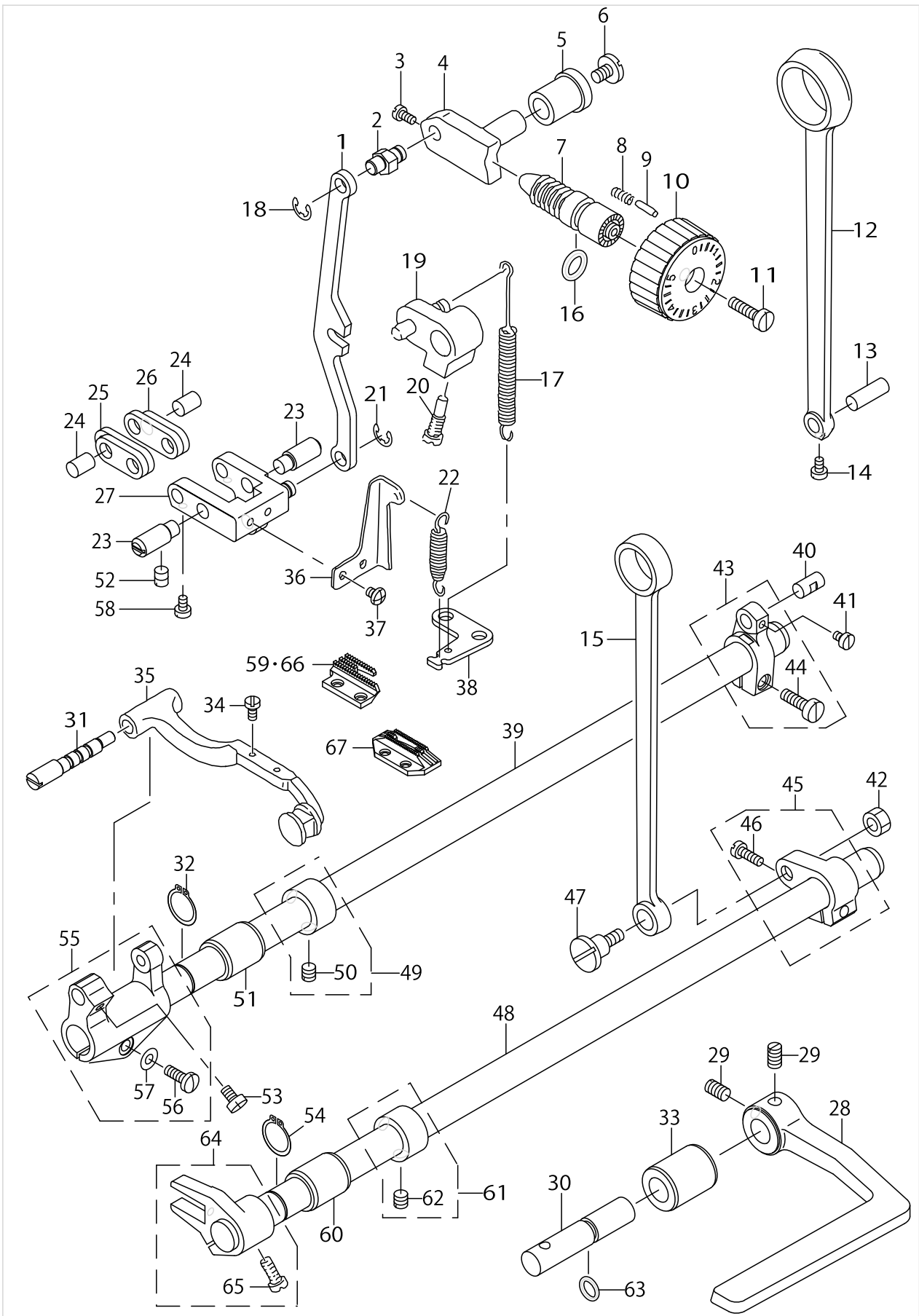
FEED MECHANISM COMPONENTS



FEED MECHANISM COMPONENTS

No.	Parts No.	Parts name	Remarks	Level	Cons	Qty
1	40105819	FEED_REGULATOR_CONNECTING_ROD				1
2	22911507	WALKING FOOT PIN C				1
3	SS6090670TP	SCREW 9/64-40 L=6				2
4	22911606	FEED REGULATOR				1
5	22911705	FEED REGULATOR BUSHING				1
6	SS7120770SH	SCREW 3/16-28 L=7				1
7	22911804	FEED REGULATOR SCREW				1
8	22912109	FEED REGULATOR PIN SPRING				1
9	22912000	FEED REGULATOR PIN				1
10	40101726	FEED DIAL				1
11	SS6121860SP	SCREW 3/16-28 L=18				1
12	22910202	ROCKER SHAFT CONNECTING ROD				1
13	22911101	WALKING FOOT PIN C				1
14	SS6090620TP	SCREW				1
15	22915003	CONNECTING ROD				1
16	RO092270200	RUBBER RING				1
17	11010311	LEVER SPRING (OLD TYPE)				1
18	RE0500000K0	E-RING				1
19	22912257	FEED REVERSE ARM ASM.				1
20	22912505	FEED REVERSE ARM SCREW				1
21	RE0500000K0	E-RING				1
22	22911309	ADJUSTING LINK SPRING				1
23	22910806	ADJUST LINK FULCRUM SHAFT A				2
24	22910905	WALKING FOOT PIN A				2
25	40089548	CONNECTING LINK B				2
26	40093417	CONNECTING LINK A				2
27	22910459	FEED ADJUSTING LINK ASM.				1
28	22912703	FEED LEVER				1
29	SM8061010TP	SCREW				2
30	40100812	FEED LEVER SHAFT				1
31	40101462	FEED BASE SHAFT				1
32	RC0150001KP	RETAINING RING 13.8				1
33	22912802	FEED LEVER SHAFT BUSHING				1
34	SS4080620TP	SCREW 1/8-44 L=6				2
35	22940753	FEED BAR ASM.				1
36	22941306	REGULATOR LINK SPRING HOOK				1
37	SS4110515SP	SCREW 11/64-40 L=5				2
38	22913701	FEED SPRING HOOK				1
39	40102124	FEED ROCKER SHAFT				1
40	22911002	WALKING FOOT PIN B				1
41	SS6090620TP	SCREW				1
42	NS6680410SP	NUT 9/32-28				1
43	40110379	ASSY_FEED_ROCKER_ARM				1
44	SS6121610SP	SCREW 3/16-28 L=15.5		*		1
45	40109422	FEED_ARM_ASM				1
46	SS7121610SP	SCREW 3/16-28 L=15.5		*		1
47	SD1000801SH	HINGE SCREW D=10 H=8				1

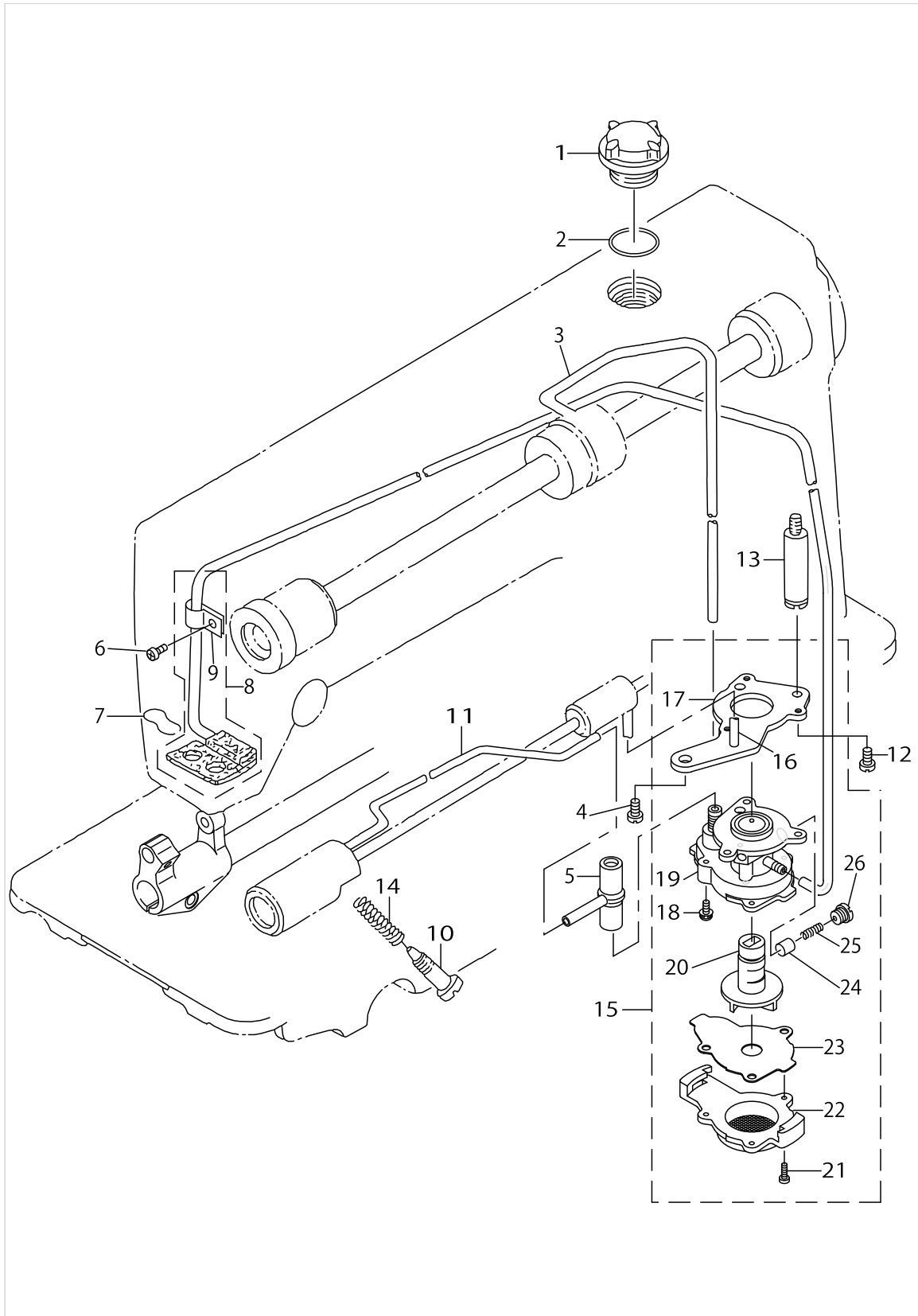
FEED MECHANISM COMPONENTS



FEED MECHANISM COMPONENTS

No.	Parts No.	Parts name	Remarks	Level	Cons	Qty
48	22915201	FEED DRIVING SHAFT				1
49	22904155	MAIN SHAFT THRUST COLLAR ASM.				1
50	SS8660610TP	SCREW 1/4-40 L=6		*		2
51	40101702	FEED ROCKER SHAFT BUSHING				1
52	SS6151220SP	SCREW 15/64-28 L=11.5				2
53	SS7110740TP	SCREW 11/64-40 L=7				1
54	RC0150001KP	RETAINING RING 13.8				1
55	22940654	FEED ROCKER ASM.				1
56	SS7121410TP	SCREW 3/16-28 L=14		*		1
57	WP0480856SP	WASHER 4.8X8.4X0.8		*		1
58	SS6090620TP	SCREW				2
59	40101701	FEED DOG A			☆	1
60	40101702	FEED ROCKER SHAFT BUSHING				1
61	22904155	MAIN SHAFT THRUST COLLAR ASM.				1
62	SS8660610TP	SCREW 1/4-40 L=6		*		1
63	RO078190100	RUBBER RING				1
64	22915359	DRIVING SHAFT CRANK ASM.				1
65	SS7111120SP	SCREW 11/64-40 L=10.5		*		1
66	B1613012A00	FEED DOG A	ONLY VIETNAM USES IT.			1
67	B1613012I00	FEED DOG I	ONLY VIETNAM USES IT.			1

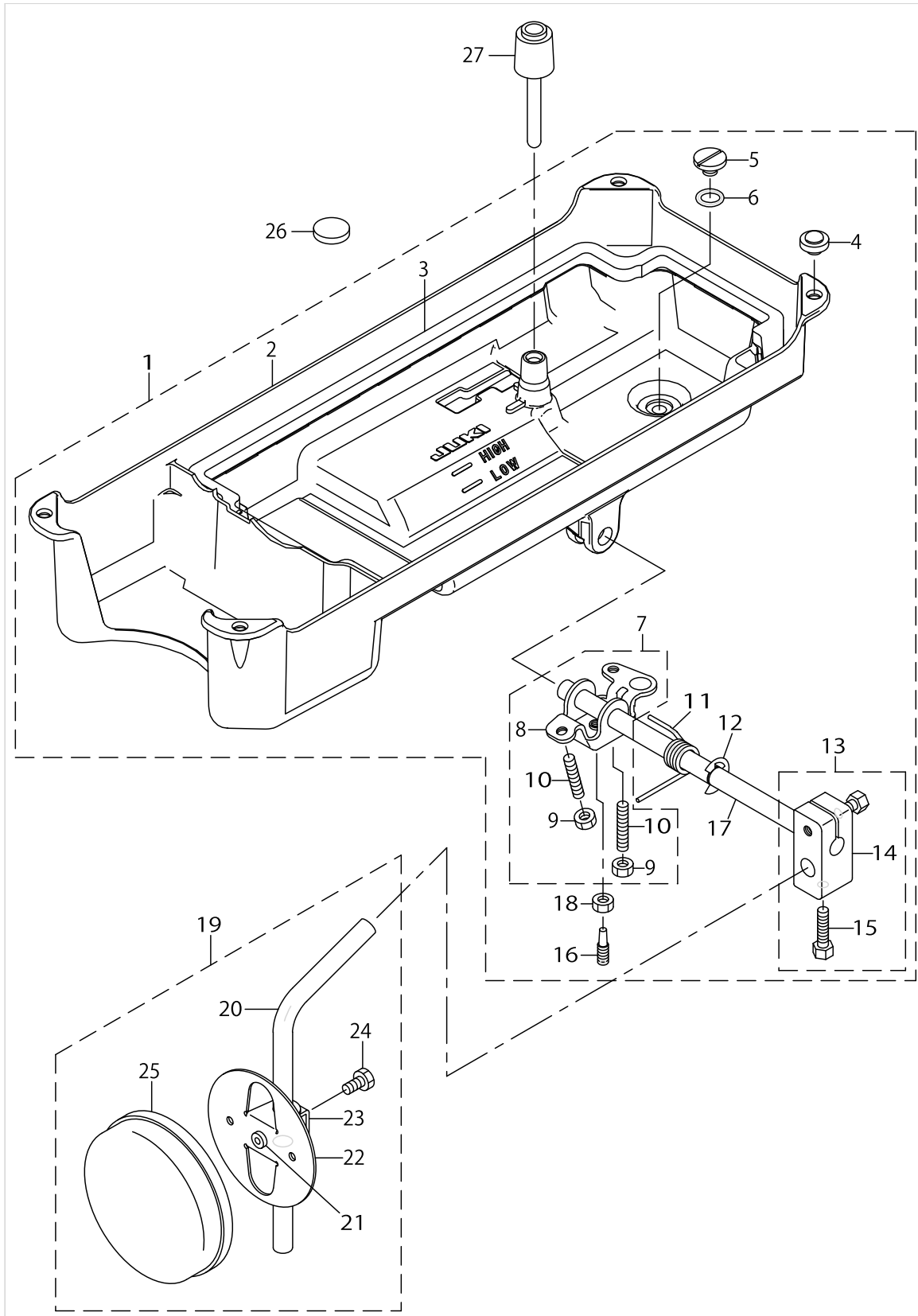
OIL LUBRICATION COMPONENTS



OIL LUBRICATION COMPONENTS

No.	Parts No.	Parts name	Remarks	Level	Cons	Qty
1	22924708	OIL SIGHT WINDOW				1
2	RO195240100	RUBBER RING				1
3	22924401	MAIN SHAFT OIL TUBE				1
4	SS4150915SP	SCREW 15/64-28 L=9				1
5	22924609	RUBBER JOINT				1
6	SS4120615SP	SCREW 3/16-28 L=6				1
7	22925101	OIL FELT PRESSER				1
8	22924153	RETURN PIPE ASM.				1
9	22924302	RETURN PIPE HOLDER		*		1
10	22925002	OIL REGULATOR SCREW				1
11	22924500	HOOK OIL TUBE				1
12	SS6111010TP	SCREW 11/64-40 L= 9.5				1
13	22924005	PUMP BODY STRUT				1
14	22924906	OIL REGULATOR SCREW SPRING				1
15	22923056	OIL PUMP ASM.				1
16	22923908	HOOK DRIVING SHAFT OILING PIPE		*		1
17	22923312	PUMP BODY INSTALLING PLATE		*		1
18	SL4030851SF	SCREW M3 L=8		*		3
19	22923015	OIL PUMP		*		1
20	22923700	IMPELLER		*		1
21	SE4301041SR	SCREW D=3 L=10		*		3
22	22923205	PUMP BODY COVER		*		1
23	22923809	PUMP BODY SUPPORT PLATE		*		1
24	22923403	PLUNGER		*		1
25	22923601	PLUNGER SPRING		*		1
26	22923502	PLUNGER SCREW		*		1

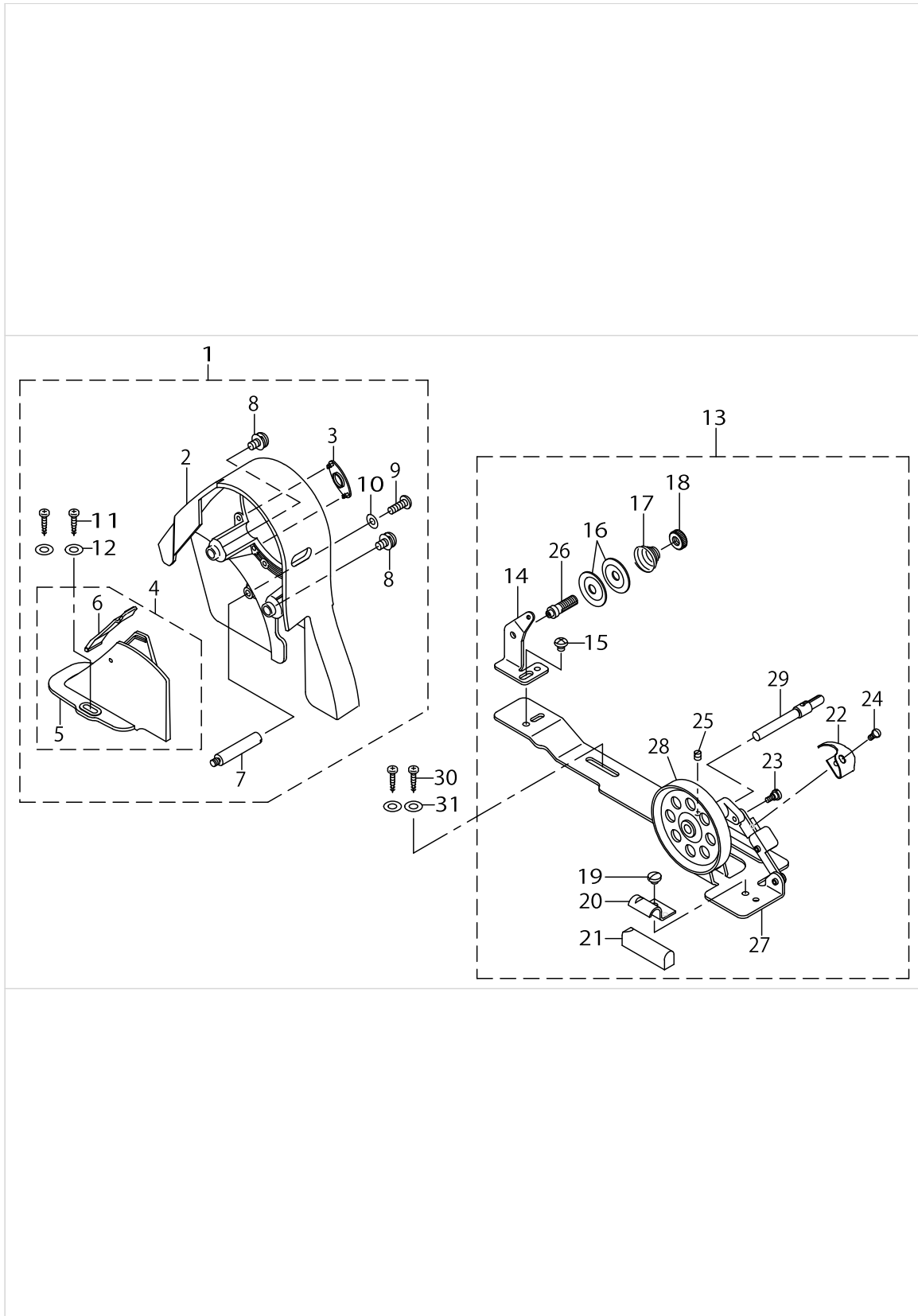
OIL RESERVOIR COMPONENTS



OIL RESERVOIR COMPONENTS

No.	Parts No.	Parts name	Remarks	Level	Cons	Qty
1	40102085	OIL RESERVOIR ASM.				1
2	40105821	OIL RESERVOIR		*		1
3	22931901	OIL RESERVOIR GASKET		*		1
4	22932008	RUBBER CUSHION		*		4
5	SS6700710SH	SCREW 5/16-24 L=7		*		1
6	RO108240100	RUBBER RING		*		1
7	22932156	KNEE LIFTER ROTATION ARM ASM.		*		1
8	22932107	KNEE LIFTING ROTATING ARM		*		1
9	NM6060001SE	NUT M6		*		2
10	SM8063012TR	SCREW M6 L=30		*		2
11	22932206	SPRING		*		1
12	RE1000000K0	E-RING 10		*		1
13	22932453	BRACKET ASM.		*		1
14	22932404	BRACKET		*		1
15	22934707	SCREW		*		2
16	40101720	SCREW_M6		*		1
17	40101541	KNEE PRESS CROSS SHAFT		*		1
18	NM6060001SE	NUT M6		*		1
19	22934251	KNEE PAD PLATE ASM.				1
20	22934608	KNEE PAD UPRIGHT SHAFT		*		1
21	22934400	KNEE PAD PLATE RUBBER		*		1
22	22934202	KNEE PAD PLATE		*		1
23	22934301	KNEE PAD PLATE SUPPORT		*		1
24	SM9061203SE	SCREW M6 L=12		*		1
25	22934509	KNEE PAD PLATE COVER		*		1
26	B8228125000	OIL RESERVOIR MAGNET				1
27	22931703	KNEE LIFTER PUSH ROD				1

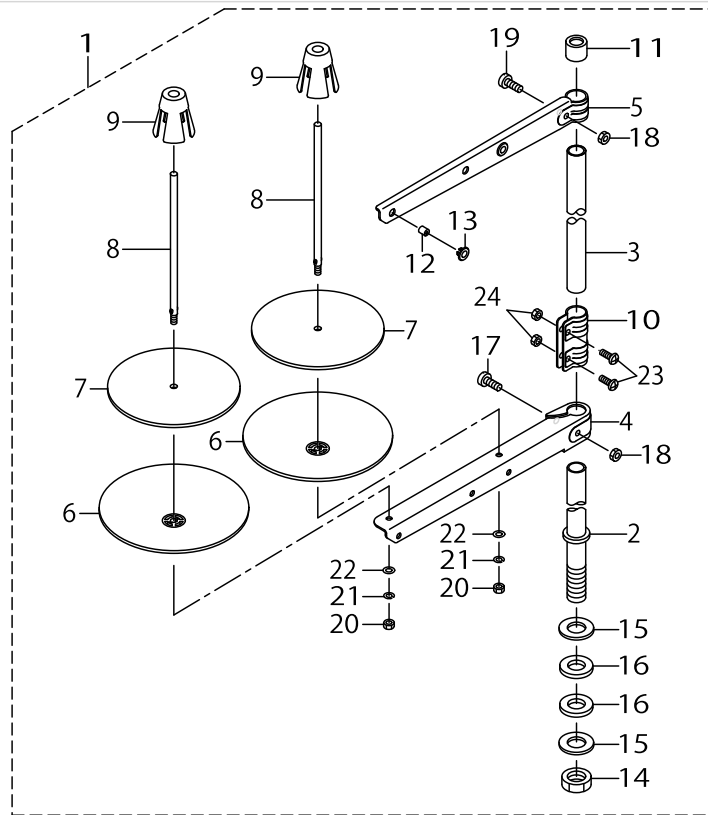
BELT COVER & BOBBIN COMPONENTS



BELT COVER & BOBBIN COMPONENTS

No.	Parts No.	Parts name	Remarks	Level	Cons	Qty
1	22933451	BELT COVER ASM.				1
2	22933402	BELT COVER A		*		1
3	22933501	BELT COVER A CAP		*		1
4	22933659	BELT COVER B COMPL.		*		1
5	22933600	BELT COVER B		*		1
6	22933758	BELT COVER B LID ASM.		*		1
7	22933907	BELT COVER STRUT		*		1
8	22934004	SET SCREW		*		2
9	SS4121415SP	SCREW 3/16-28 L=14		*		1
10	WP0501016SD	WASHER 5X10.5X1		*		1
11	SK3412000SC	WOOD SCREW D=4.1 L=20		*		2
12	WP0450826SC	WASHER 4.5X10X0.8		*		2
13	22927354	BOBBIN WINDER COMPL.				1
14	22928501	THREAD TENSION POST BASE		*		1
15	SS4110515SP	SCREW 11/64-40 L=5		*		1
16	22928907	THREAD TENSION DISK		*		2
17	22929004	THREAD TENSION SPRING		*		1
18	22928808	NUT		*		1
19	SS7110350SP	SCREW 11/64-40 L=3.5		*		1
20	22928402	CONTROL RUBBER HOLDING PLATE		*		1
21	22928303	CONTROL RUBBER		*		1
22	22928105	BOBBIN PRESSER		*		1
23	SD0490261SP	HINGE SCREW D=4.9 H=2.6		*		1
24	SS7081310SP	SCREW 1/8-44 L=12.5		*		1
25	SS8110510SP	SCREW 11/64-40 L=5		*		1
26	22928709	THREAD TENSION POST		*		1
27	22927305	BOBBIN WINDER BASE		*		1
28	22927404	BOBBIN WINDER		*		1
29	22927602	BOBBIN WINDER SPINDLE		*		1
30	SK3412000SC	WOOD SCREW D=4.1 L=20				2
31	WP0450826SC	WASHER 4.5X10X0.8				2

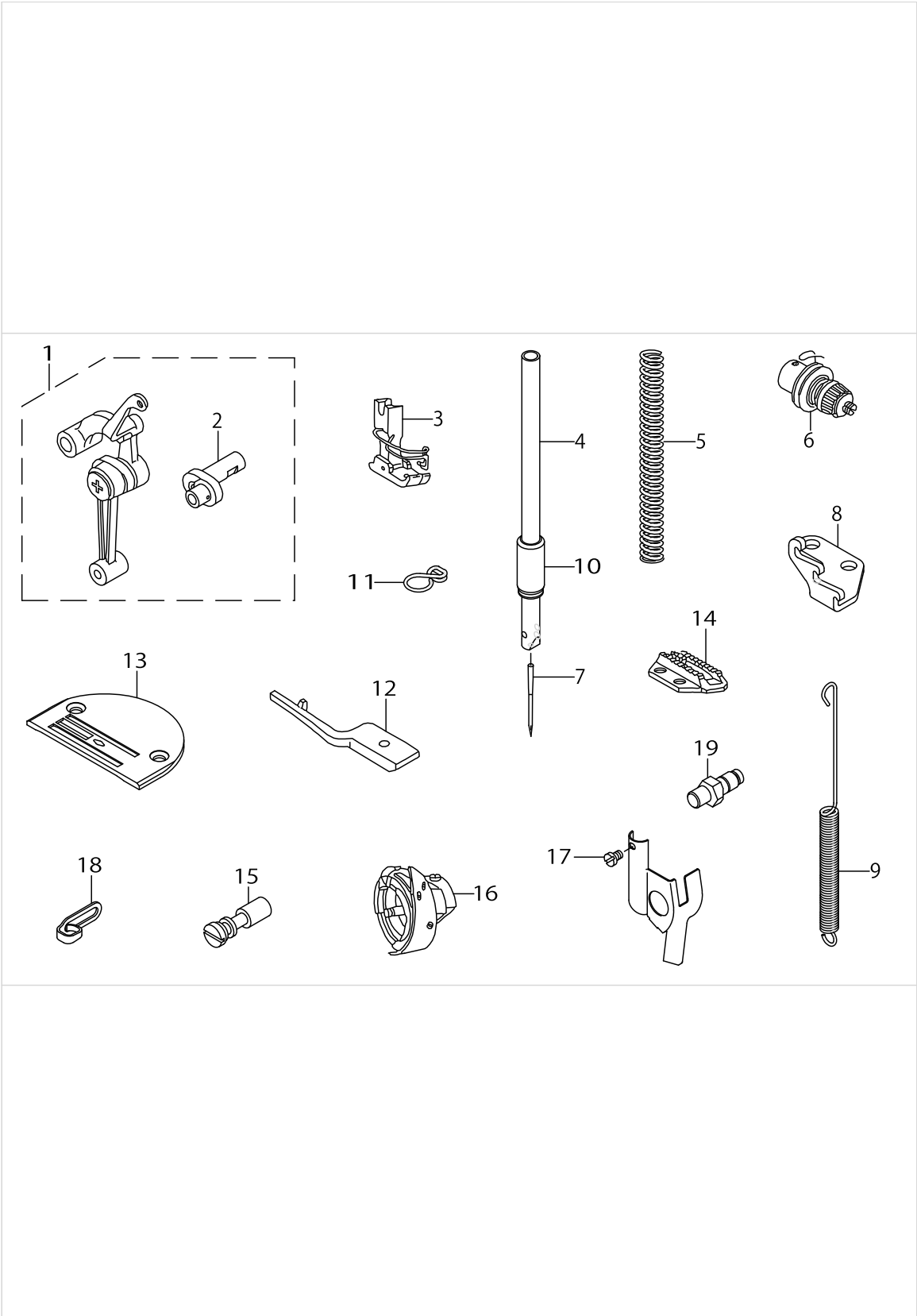
THREAD STAND COMPONENTS



THREAD STAND COMPONENTS

No.	Parts No.	Parts name	Remarks	Level	Cons	Qty
1	40096354	THREAD STAND ASM.				1
2	40085784	SPOOL REST ROD LOWER		*		1
3	40085785	SPOOL REST ROD UPPER		*		1
4	40085786	SPOOL REST ARM LOWER		*		1
5	40085787	SPOOL REST ARM UPPER		*		1
6	40085788	SPOOL REST		*		2
7	40085789	SPOOL REST CUSHION		*		2
8	40085790	SPOOL PIN		*		2
9	40085791	SPOOL RETAINER		*		2
10	40085792	SPOOL REST ROD JOINT		*		1
11	40085793	SPOOL REST ROD RUBBER CAP		*		1
12	40085794	THREAD GUIDE		*		2
13	40085795	THREAD GUIDE BUSHING		*		2
14	40096325	SPOOL REST ROD NUT		*		1
15	WP1612616SE	WASHER 16X30X2.6		*		2
16	40085796	SPOOL REST ROD RUBBER CUSHION		*		2
17	40096326	SPOOL REST ARM LOWER SCREW		*		1
18	NM6050001SE	NUT M5		*		2
19	40096327	SPOOL REST ARM UPPER SCREW		*		1
20	NM6050001SE	NUT M5		*		2
21	WS0510002KN	SPRING WASHER M5		*		2
22	WP0531001SC	WASHER M5		*		2
23	SM4051405SE	SCREW M5 L=14		*		2
24	NM6050001SE	NUT M5		*		2

EXCLUSIVE PARTS



EXCLUSIVE PARTS

No.	Parts No.	Parts name	Remarks	Level	Cons	Qty
1	40103560	LINK_THREAD_TAKE-UP_LENER-H_ASM.				1
2	11091600	NEEDLE BAR CRANK H		*		1
3	40102621	PRESSER FOOT ASM.				1
4	22970206	NEEDLE BAR				1
5	B1505552000A	PRESSER SPRING				1
6	22962054	THREAD TENSION ASM.				1
7	MDB100B2100	NEEDLE DBX1 #21			☆	1
8	22970602	FEED SPRING HOOK				1
9	40080725	ADJUSTING LINK SPRING				1
10	22970313	NEEDLE SHAFT BUSHING				1
11	40023223	NEEDLE BAR THREAD GUIDE				1
12	11091709	POSITIONING FINGER				1
13	B1109555H0B	THROAT PLATE (H)				1
14	B1613555H00	FEED DOG (H)			☆	1
15	B1213552000A	OIL ADJUSTING PIN				1
16	11092459	LUBRICATING BOBBIN ASM.			☆	1
17	SS6080320SP	SCREW 1/8-44 L= 2.5				1
18	11091006	ARM THREAD GUIDE (HA)				1
19	22971204	FEED REGULATOR BASE PIN				1

HOW TO MAKE USE OF THIS PARTS LIST

1.Explanation of codes

1)"*"mark.....means this part is changed from the previous parts book.

As to the details of the change, refer to the "List for information of change".

2)"#01".....refer to "Note" explanation at bottom of page.

2.Codes on the "Qty" column

- Each numeral indicates the number of parts required.
- "0.1" and "2.5" indicate the length (in meters) of the respective parts.

3.Parentheses mean that the corresponding part is a subpart that constructs an assembly part.

4.Dotted lines on the Figures indicate assembly parts.

5.As to the parts with marks of "☆"(consumable parts) and "◎"(optional parts)on the respective parts, it is recommended to prepare spares.

1 ."注記"欄の記号説明

1) "*"印.....前回のパーツブックに比較して今回変更された部品を意味します。

変更内容は、"変更情報リスト"を参照してください。

2) "#01".....ページ下の"注記"の説明を参照してください。

2.数量欄の数字は、個数を表し、0.1、2.5等の数値は、長さ（単位メートル）を表します。

3.数量欄の（ ）は、組部品を構成している子部品であることを意味します。

4.イラストページの-----枠は、組構成であることを意味します。

5.リストページの"☆"（消耗部品）、"◎"（オプション部品）の印がついた部品は、予備を準備しておくことをお奨めします。

NUMERICAL INDEX OF PARTS

PART NO	PAGE	REF NO.	PART NO	PAGE	REF NO.	PART NO	PAGE	REF NO.
11002904	6	28	22910004	6	18	22921001	2	22
11010311	12	17	22910053	6	16	22921209	2	29
11015906	8	39	22910103	6	30	22921308	2	24
11028008	2	35	22910202	12	12	22921407	2	25
11091006	24	18	22910459	12	27	22921506	2	28
11091600	24	2	22910806	12	23	22921605	2	30
11091709	24	12	22910905	12	24	22921704	2	26
11092459	24	16	22911002	12	40	22921803	2	27
11415205	2	18-47	22911101	12	13	22923015	16	19
22900609	2	18-7	22911309	12	22	22923056	16	15
22900757	2	4	22911507	12	2	22923205	16	22
22901003	2	45	22911606	12	4	22923312	16	17
22901201	2	42	22911705	12	5	22923403	16	24
22901250	2	41	22911804	12	7	22923502	16	26
22901300	2	43	22912000	12	9	22923601	16	25
22901805	2	46	22912109	12	8	22923700	16	20
22903009	6	19	22912257	12	19	22923809	16	23
22903207	6	25	22912505	12	20	22923908	16	16
22903306	6	27	22912703	12	28	22924005	16	13
22903900	6	14	22912802	12	33	22924153	16	8
22904155	6	23	22913701	12	38	22924302	16	9
22904155	14	61	22915003	12	15	22924401	16	3
22905103	8	25	22915201	14	48	22924500	16	11
22905202	8	26	22915359	14	64	22924609	16	5
22906002	8	3	22916001	8	31	22924708	16	1
22906101	8	2	22916308	8	27	22924906	16	14
22906309	8	10	22916407	8	32	22925002	16	10
22906457	8	4	22916506	8	40	22925101	16	7
22906606	6	8	22916555	8	38	22927305	20	27
22907307	10	6	22917157	8	29	22927354	20	13
22907406	10	27	22918064	6	5	22927404	20	28
22907505	10	26	22918072	6	4	22927602	20	29
22907554	10	24	22918106	6	7	22928105	20	22
22907604	10	25	22918304	6	9	22928303	20	21
22907703	10	35	22918502	6	6	22928402	20	20
22907802	10	1	22919203	6	3	22928501	20	14
22908008	10	32	22920003	10	22	22928709	20	26
22908156	10	30	22920102	10	23	22928808	20	18
22908305	10	34	22920201	10	18	22928907	20	16
22908354	10	29	22920300	10	21	22929004	20	17
22908552	10	4	22920409	10	19	22931703	18	27
22908701	10	7	22920508	2	21	22931901	18	3
22908800	10	14-37	22920607	2	37	22932008	18	4
22908909	10	12	22920706	2	17	22932107	18	8
22909006	10	15	22920805	8	7	22932156	18	7

NUMERICAL INDEX OF PARTS

PART NO	PAGE	REF NO.	PART NO	PAGE	REF NO.	PART NO	PAGE	REF NO.
22932206	18	11	40085791	22	9	40122606	8	24
22932404	18	14	40085792	22	10	40124927	2	8
22932453	18	13	40085793	22	11	40124928	2	13
22932909	8	41	40085794	22	12	40124929	10	14·37
22933402	20	2	40085795	22	13	B1109555H0B	24	13
22933451	20	1	40085796	22	16	B1213552000A	24	15
22933501	20	3	40089548	12	25	B1215552000	6	26
22933600	20	5	40090002	8	14	B13061550B0	8	13
22933659	20	4	40090003	8	16	B13061550C0	8	12
22933758	20	6	40090004	8	19	B13071550B0	8	18
22933907	20	7	40090005	8	21	B1505552000A	24	5
22934004	20	8	40090058	8	6	B1521555000	10	2
22934202	18	22	40093417	12	26	B15240120BA	10	20·36
22934251	18	19	40096325	22	14	B1613012A00	14	59·66
22934301	18	23	40096326	22	17	B1613012I00	14	67
22934400	18	21	40096327	22	19	B1613555H00	24	14
22934509	18	25	40096354	22	1	B18370120A0	8	34
22934608	18	20	40098388	10	28	B3118552E00	2	34
22934707	18	15	40100812	12	30	B8228125000	18	26
22940654	14	55	40101350	6	29	CM600100101	2	16
22940753	12	35	40101441	8	8	MDB100B1400	8	11
22941306	12	36	40101461	8	23	MDB100B2100	24	7
22945307	2	31	40101462	12	31	NM6050001SE	22	24
22945356	2	23	40101541	18	17	NM6060001SE	18	18
22958300	2	12	40101694	8	36	NS6680410SP	12	42
22962054	24	6	40101701	14	59·66	RC0150001KP	12	54
22965909	4	48	40101702	14	60	RC0150001KP	14	54
22970206	24	4	40101720	18	16	RE0500000K0	10	33
22970313	24	10	40101726	12	10	RE0500000K0	12	21
22970602	24	8	40101992	8	35	RE1000000K0	18	12
22971204	24	19	40102085	18	1	RO029180100	6	15
40012126	2	2	40102097	2	1	RO037180100	10	3
40012129	2	9	40102124	12	39	RO078190100	14	63
40017805	10	5	40102261	2	15	RO092270200	12	16
40023223	24	11	40102595	10	20·36	RO108240100	18	6
40048594	6	20	40102621	24	3	RO195240100	16	2
40060989	10	16	40103560	24	1	SD0490261SP	20	23
40080725	24	9	40105231	6	21	SD0720331SP	10	13
40085784	22	2	40105819	12	1	SD1000801SH	12	47
40085785	22	3	40105821	18	2	SE4301041SR	16	21
40085786	22	4	40106138	6	2	SK3412000SC	20	30
40085787	22	5	40109422	12	45	SL4030851SF	16	18
40085788	22	6	40110376	6	13	SM4051405SE	22	23
40085789	22	7	40110379	12	43	SM8061010TP	12	29
40085790	22	8	40110390	6	10	SM8063012TR	18	10

NUMERICAL INDEX OF PARTS

PART NO	PAGE	REF NO.	PART NO	PAGE	REF NO.
SM9061203SE	18	24	SS8660610TP	6	24
SS2110920TP	2	36	SS8660610TP	14	62
SS4080620TP	12	34	SS8660810TP	8	22
SS4090615SP	6	31	SS8660810TP	10	10
SS4110515SP	12	37	SS8681650TP	6	11
SS4110515SP	20	15	TA0850604R0	2	5
SS4110915TP	8	33	TA0850604R0	8	1
SS4120615SP	2	20	TA1250406R0	2	39
SS4120615SP	16	6	TA1250705R0	2	6
SS4120915SP	2	40	TA2000502R0	2	10
SS4120915SP	8	28	TA2101002R0	2	11
SS4121415SP	20	9	WP0450826SC	20	31
SS4150915SP	16	4	WP0480856SP	14	57
SS6060210SP	2	44	WP0501016SD	20	10
SS6080320SP	24	17	WP0531001SC	22	22
SS6080410SP	2	3	WP1612616SE	22	15
SS6090620TP	12	58	WS0510002KN	22	21
SS6090620TP	14	58			
SS6090670TP	8	5			
SS6090670TP	12	3			
SS6090910SP	10	11			
SS6110420TP	8	30			
SS6110610TP	2	38			
SS6111010TP	16	12			
SS6121610SP	12	44			
SS6121860SP	12	11			
SS6151220SP	14	52			
SS6661110SP	6	17			
SS6700710SH	18	5			
SS7080510TP	8	9			
SS7081310SP	20	24			
SS7091110TP	10	8			
SS7110350SP	20	19			
SS7110720SP	2	14			
SS7110740TP	14	53			
SS7111120SP	14	65			
SS7120770SH	12	6			
SS7121410TP	14	56			
SS7121610SP	12	46			
SS8090670SP	2	32			
SS8110410TP	8	37			
SS8110510SP	20	25			
SS8150710TP	2	33			
SS8151150TP	6	1			
SS8151550SP	6	22			