

MODEL : MF-3620 (機/Machine number:2M4DM00002~)

List No : 1555-01

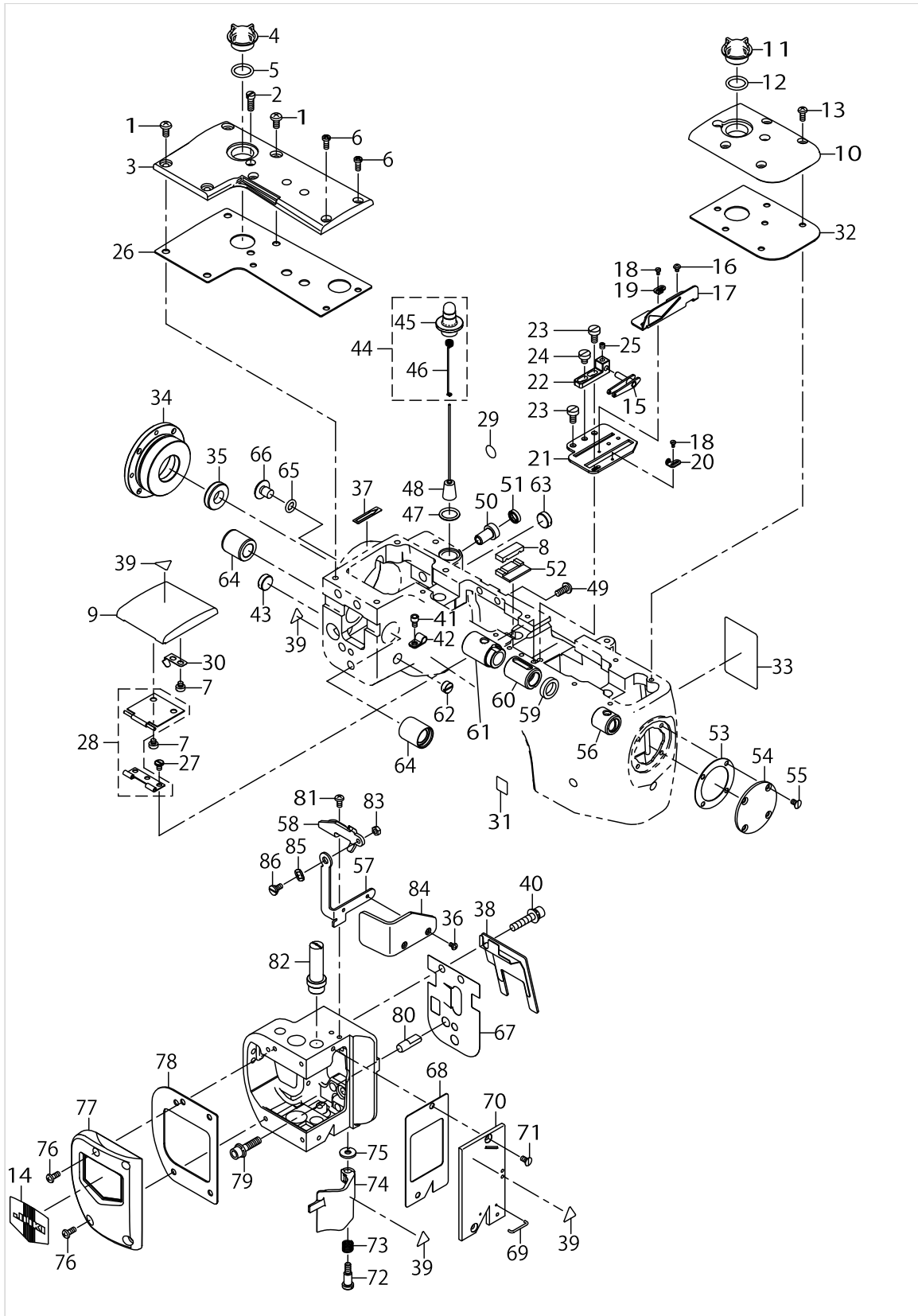
PARTS LIST

Published:09/10/2017

CONTENTS

FRAME EXCLUSIVE COMPONENTS (1).....	1
FRAME EXCLUSIVE COMPONENTS (2).....	5
FEED MECHANISM COMPONENTS.....	9
LOOPER COMPONENTS.....	13
HAND LIFTER COMPONENTS.....	15
HAND LIFTER ASM. COMPONENTS.....	17
MAIN SHAFT & DIRECT DRIVE UNIT COMPONENTS (1).....	21
MAIN SHAFT & DIRECT DRIVE UNIT COMPONENTS (2).....	25
NEEDLE BAR & KNIFE DRIVE COMPONENTS.....	27
THREAD TENSION COMPONENTS.....	31
OIL LUBRICATION COMPONENTS.....	35
THREAD STAND COMPONENTS.....	37
ACCESSORIE PARTS COMPONENTS.....	39
PRESSER LIFTER SET (OPTION).....	43
CHAIN OFF THREAD TRIMMER SET (OPTION).....	45
CLOTH CHIP SUCTION SET (OPTION).....	47
LIST FOR INFORMATION OF CHANGE (1).....	49
LIST FOR INFORMATION OF CHANGE (2).....	50
HOW TO MAKE USE OF THIS PARTS LIST.....	51

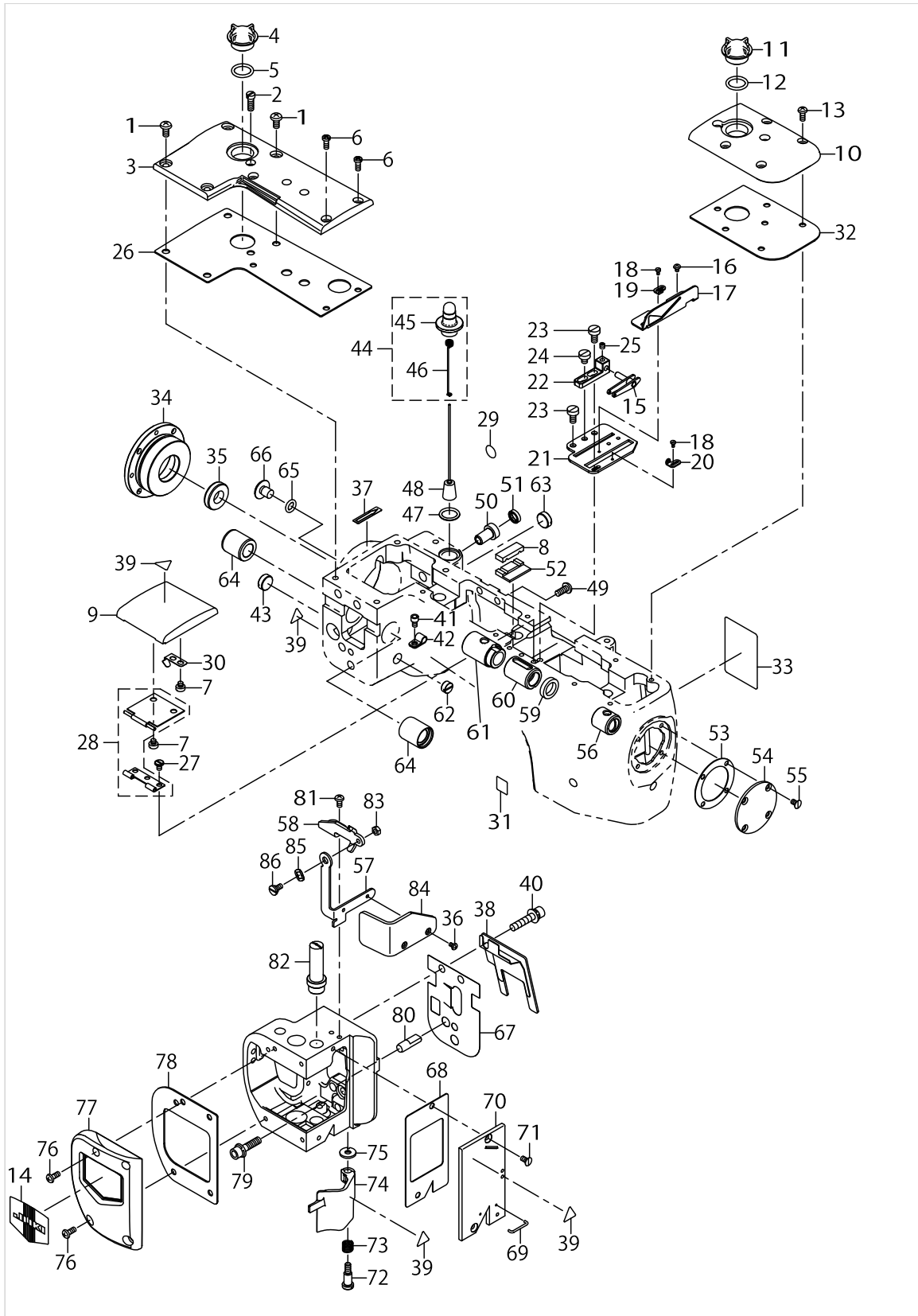
FRAME EXCLUSIVE COMPONENTS (1)



FRAME EXCLUSIVE COMPONENTS (1)

No.	Parts No.	Parts name	Remarks	Level	Cons	Qty
1	SM4051055SP	SCREW				4
2	SM6051450TP	SCREW M5 L=14				1
3	40074736	TOP_COVER_A_COATING				1
4	22924708	OIL SIGHT WINDOW				1
5	RO148240200	RUBBER RING				1
6	SM4041055SP	SCREW				3
7	SM6040450TP	SCREW M4 L=4				4
8	40074437	SEAL_UPPER				2
9	40074737	TOP_COVER_B_COATING				1
10	40074738	TOP_COVER_C_COATING				1
11	22924708	OIL SIGHT WINDOW				1
12	RO148240200	RUBBER RING				1
13	SM4041055SP	SCREW				6
14	22902506	FACE PLATE				1
15	40074306	COVER_THREAD_TAKE_UP_EYELET				1
16	SM4030455SN	SCREW				2
17	40074310	CAST_OFF				1
18	SM6020460TP	SCREW				2
19	40074311	CAST_OFF_EYELET_REAR				1
20	40074312	CAST_OFF_EYELET_FRONT				1
21	40074313	CAST_OFF_PLATE				1
22	40074314	TAKE_UP_EYELET HOLDER				1
23	SM6051000SP	SCREW				2
24	SM6050610SC	SCREW M5X0.8 L=6				1
25	SM8040412TP	SET SCREW M4 L=4				1
26	40074723	TOP_COVER_A_GASKET				1
27	SM6040650TP	SCREW				3
28	40074724	TOP_COVER_B_HINGE_ASSY				1
29	22901805	GROUND MARK				1
30	40074728	HINGE_STOPPER_SPRING				1
31	CM600100101	WEEE MARK LABEL S				1
32	40074729	TOP_COVER_C_GASKET				1
33	CM301200001	SAFETY LABEL_S				1
34	40074549	CRANKSHAFT_BUSHING_HOUSING				1
35	40112855	LIP SEAL				1
36	SM4030455SN	SCREW				2
37	CM500300001	DIRECTION LABEL				1
38	40074443	OIL_SHIELD_ASSY				1
39	CM300200001	ATTENTION SEAL				4
40	SL6063092TN	SCREW M6 L=30				2
41	SM6040600SP	SCREW M4 L=6				1
42	22924302	RETURN PIPE HOLDER				1
43	40070075	PLUG SCREW				1
44	40066871	OIL SIGHT GAUGE ASM.				1
45	40066869	OIL SIGHT GAUGE		*		1
46	40066873	GUIDE WIRE		*		1
47	RO137230100	RUBBER RING				1

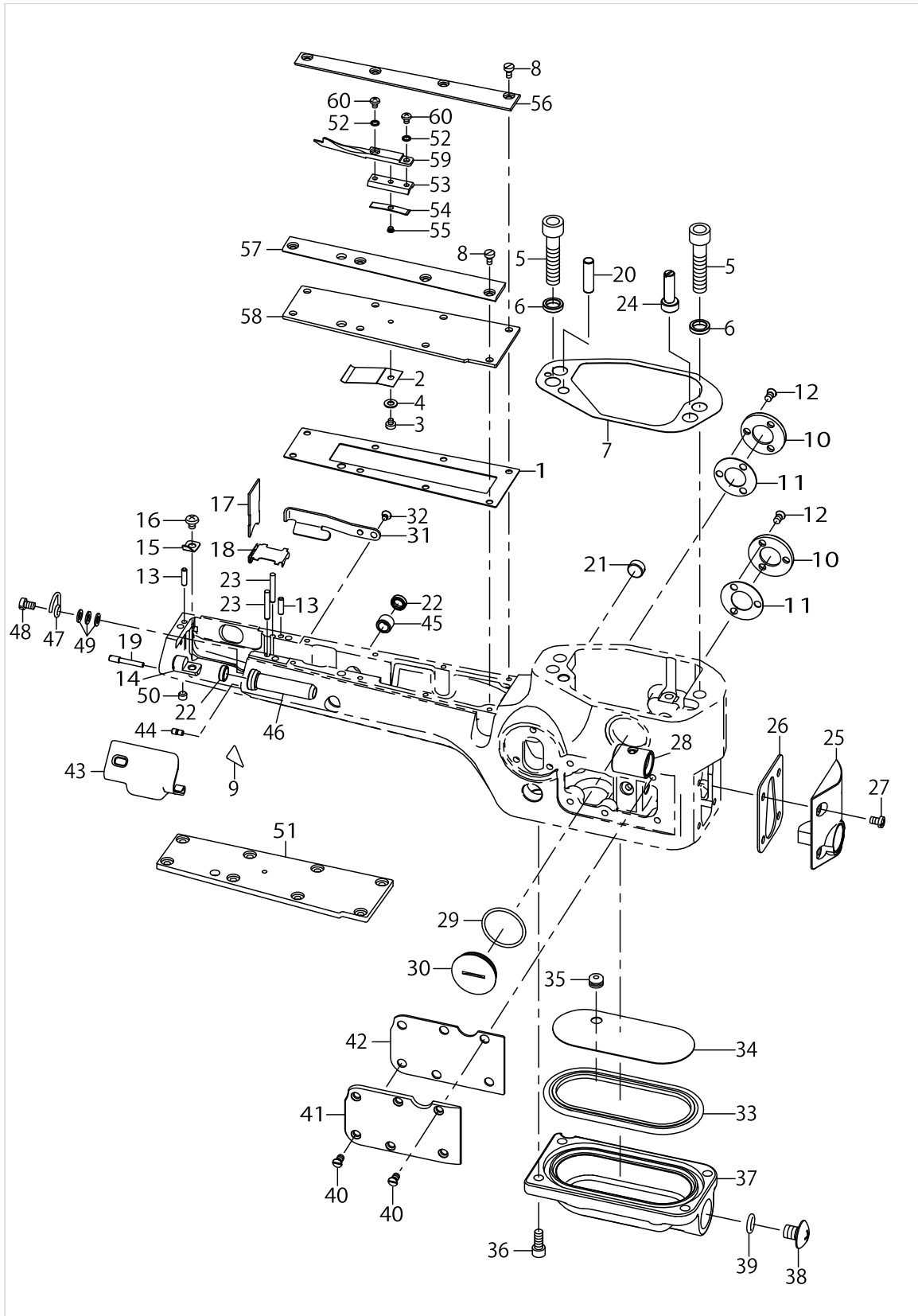
FRAME EXCLUSIVE COMPONENTS (1)



FRAME EXCLUSIVE COMPONENTS (1)

No.	Parts No.	Parts name	Remarks	Level	Cons	Qty
48	40066856	OIL SIGHT GAUGE INDICATOR ASSEMBLY				1
49	SM4051255SP	SCREW.,M5 L=12.				2
50	40074557	LIFTER_BUSHING				1
51	40074433	OIL_SEAL				1
52	40074535	SEAL_LOWER				1
53	40074733	ARM_END_COVER_GASKET				1
54	40074732	ARM_END_COVER_COATING				1
55	SM1040750TP	SCREW M4 L=7				4
56	40066898	MAIN SHAFT BUSHING FRONT				1
57	40074224	THREAD_TAKE_UP_L_G_STUD_A				1
58	40074225	THREAD_TAKE_UP_L_G_STUD_B				1
59	40112856	OIL SEAL				1
60	40074777	MAIN_SHAFT_BUSHING_CENTER				1
61	40066895	CRANK SHAFT BUSHING REAR				1
62	40066892	PLUG SCREW				1
63	40070075	PLUG SCREW				1
64	40074220	NEEDLE_LEVER_SHAFT_BUSH_F				2
65	13170105	RUBBER RING				1
66	13171004	DRAIN SCREW				1
67	40074734	BAFFLE_PLATE				1
68	40074766	HEAD_COVER_FRONT_GASKET				1
69	40074767	HEAD_COVER_FRONT_WIRE				1
70	40074765	HEAD_COVER_FRONT_COATING				1
71	SM1040800SP	SCREW				2
72	SD0701206TP	SHOULDER SCREW D=7 H=12				1
73	40074375	SPRING				1
74	40074376	FRAME_CHIP_GUARD				1
75	40074377	WASHER				1
76	SM4041055SP	SCREW				4
77	40074768	HEAD_COVER_LEFT_COATING				1
78	40074379	GASKET_LEFT_HEAD_COVER				1
79	SL6062592TN	SCREW				1
80	40074735	UNITE_PIN				1
81	SM4040855SP	SCREW				2
82	40074222	NEEDLE_BAR_COVER				1
83	NM6040001SP	NUT M4X0.7				1
84	40074223	THREAD_TAKE_UP_LEVER_GUARD				1
85	WZ0641510KP	WAVED WASHER 6.4X11X0.3				1
86	SD0640246SP	HINGE SCREW D=6.35 H=2.4				1

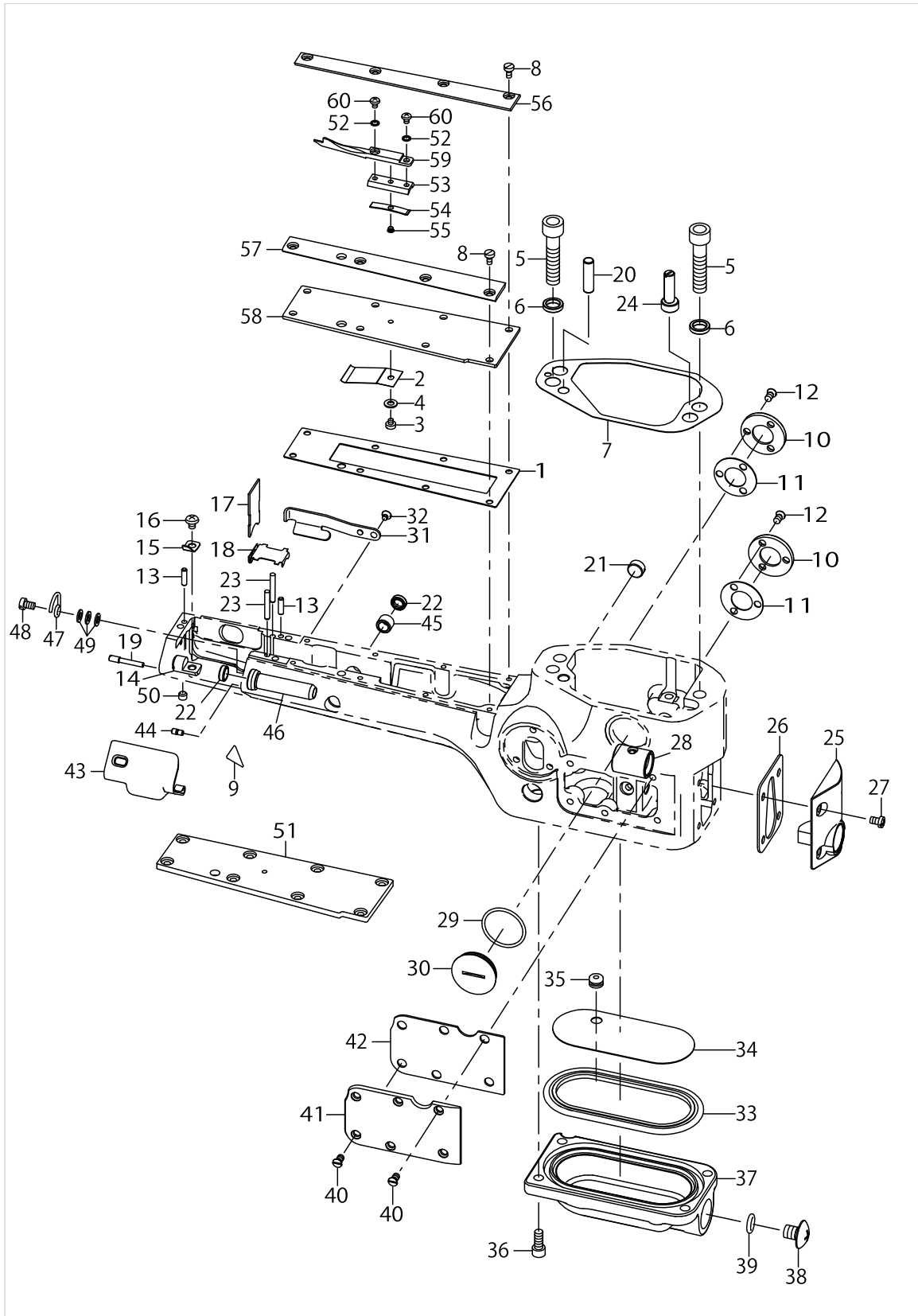
FRAME EXCLUSIVE COMPONENTS (2)



FRAME EXCLUSIVE COMPONENTS (2)

No.	Parts No.	Parts name	Remarks	Level	Cons	Qty
1	40074229	CYLINDER_COVER_GASKET				1
2	40074484	UPPER_LINT_SHIELD				1
3	SM6030350SN	SCREW M3 L=2.5				1
4	WP0410846SC	WASHER				1
5	SM6083852TP	SCREW M8 L=38				3
6	40066902	WASHER				3
7	40074231	ARM_CYLINDER_UNITE_GASKET				1
8	SM6030650TP	SCREW				8
9	CM300200001	ATTENTION SEAL				1
10	40074263	FEED_DRIVE_SHAFT_COVER_COATING				2
11	40074246	FEED_DRIVE_SHAFT_COVER_GASKET				2
12	SM1040750TP	SCREW M4 L=7				6
13	40074234	DOWEL_PIN				2
14	40074235	CYLINDER_HINGED_SPRING_STUD				1
15	40074236	CYLINDER_HINGED_SPRING				1
16	SM4040501SN	SCREW M4X0.7 L=5				1
17	40074237	LOWER_LINT_SHIELD				1
18	40074238	LOWER_LINT_SHIELD_STUD				1
19	40074244	SCREW_PIN				1
20	40066918	DOWEL PIN STRAIGHT				1
21	40066892	PLUG SCREW				1
22	40112857	OIL SEAL FOR 35850G				2
23	40074264	FEED_BAR_SIDE_OIL_SHIELD				2
24	40066919	ECCENTRIC PIN				1
25	40074239	CYLINDER_FRONT_COVER_ASSY				1
26	40074240	CYLINDER_FRONT_COVER_GASKET				1
27	SM4040655SP	SCREW M4 L=6				4
28	40067003	LOOPER SHAFT BUSHING FRONT				1
29	40066928	O RING				1
30	40066929	PLUG SCREW				1
31	40074247	LOOPER_COVER				1
32	SM1030501SC	SCREW M3 L=5				1
33	40067059	GASKET				1
34	40067058	SCREEN				1
35	40067056	O RING				1
36	SM6051202TP	SCREW M5X0.8 L=12				4
37	40074277	OIL_RESERVOIR_COATING				1
38	13171004	DRAIN SCREW				1
39	13170105	RUBBER RING				1
40	SM1040750TP	SCREW M4 L=7				6
41	40074262	CYLINDER_SIDE_COVER_COATING				1
42	40074242	CYLINDER_SIDE_COVER_GASKET				1
43	40074243	CYLINDER_HINGED_COVER				1
44	40066909	PIN				1
45	40067014	BUSHING FOR FEED BAR ECCENTRIC STUD				1
46	40074259	LOOPER_SHAFT_BUSHING_REAR				1
47	40074248	LOOPER_THREAD_GUIDE_WIRE				1

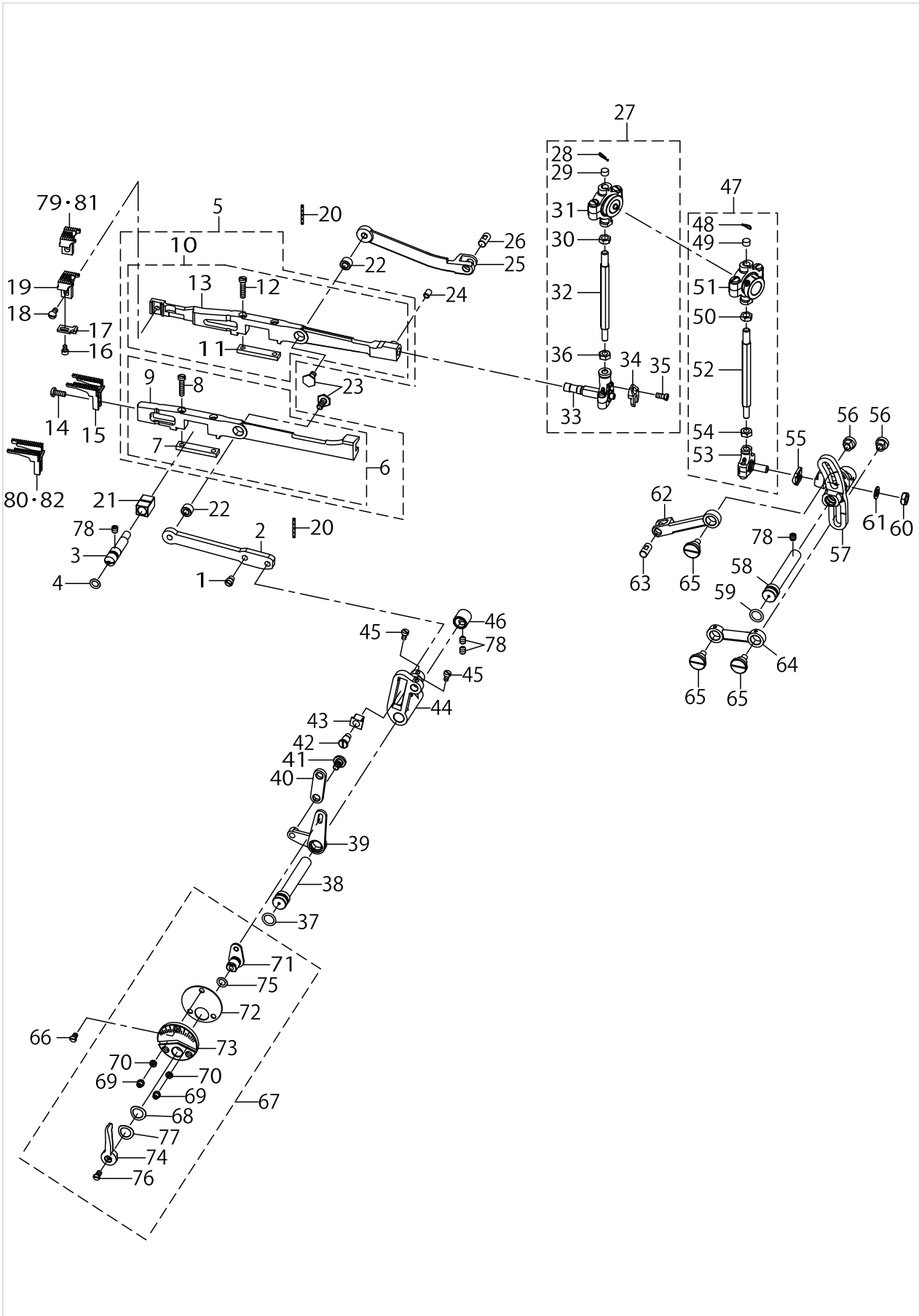
FRAME EXCLUSIVE COMPONENTS (2)



FRAME EXCLUSIVE COMPONENTS (2)

No.	Parts No.	Parts name	Remarks	Level	Cons	Qty
48	SM6040800SP	SCREW				1
49	WP0430800SC	WASHER M4				3
50	SM8050412TP	SCREW M5 L=4				1
51	40074485	CYLINDER_COVER_FOR_ONE_SIDE_CUT	FOR ONE SIDE CUT			1
52	WP0360516SD	WASHER M3	FOR BOTH SIDE CUT			2
53	40074481	LAP_FORMER_SLIDE_BLOCK	FOR BOTH SIDE CUT			1
54	40074482	LAP_FORMER_SPRING	FOR BOTH SIDE CUT			1
55	40074483	SCREW	FOR BOTH SIDE CUT			1
56	40074226	GIB_RIGHT	FOR BOTH SIDE CUT			1
57	40074227	GIB_LEFT	FOR BOTH SIDE CUT			1
58	40074228	CYLINDER_COVER	FOR BOTH SIDE CUT			1
59	40074480	LAP_FORMER	FOR BOTH SIDE CUT			1
60	SM4030455SN	SCREW	FOR BOTH SIDE CUT			2

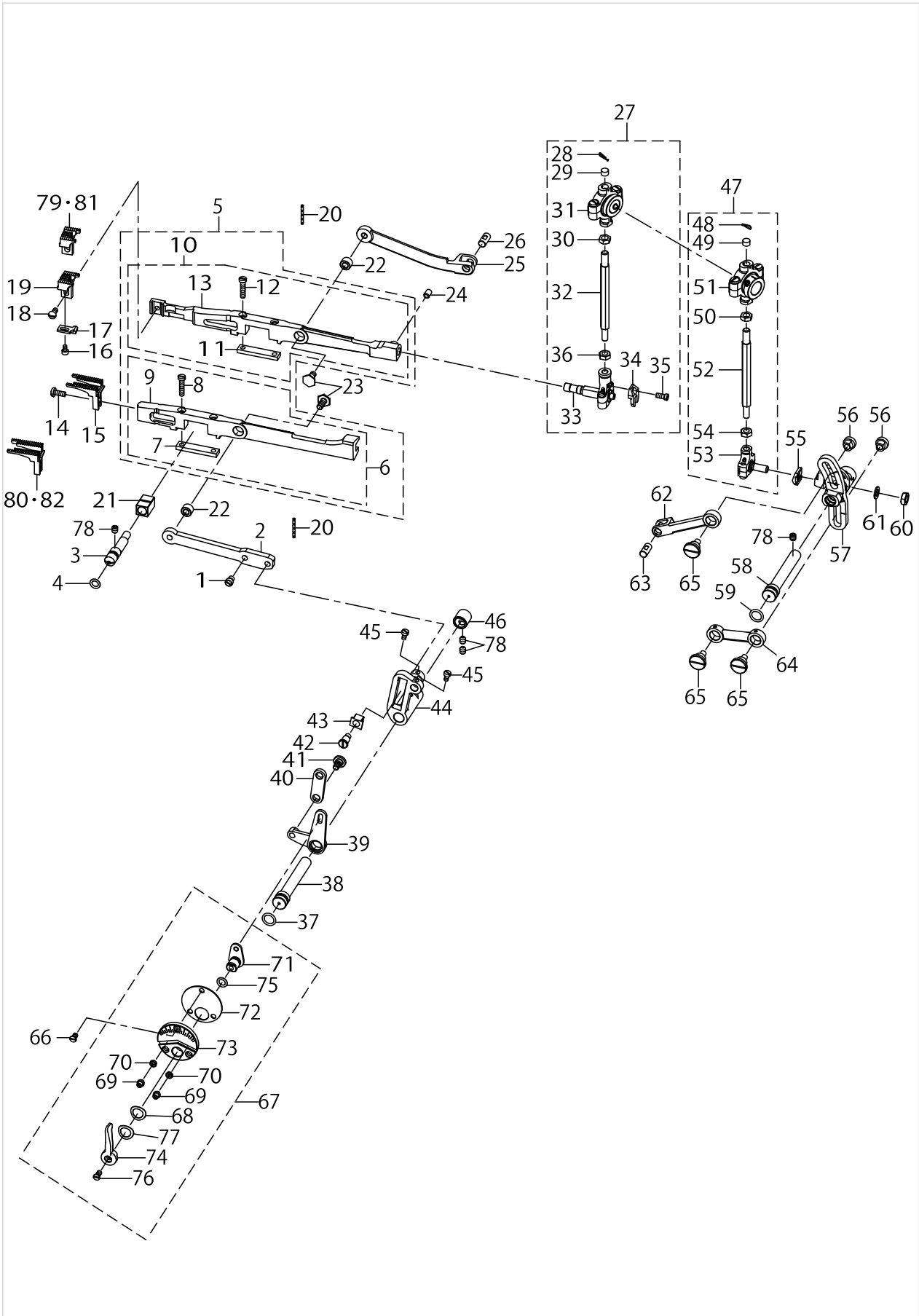
FEED MECHANISM COMPONENTS



FEED MECHANISM COMPONENTS

No.	Parts No.	Parts name	Remarks	Level	Cons	Qty
1	40070191	SCREW				1
2	40074658	DIFF_FEED_BAR_DRIVING_LINK				1
3	40074689	FEED_BAR_ECCENTRIC_STUD				1
4	RO061180100	O-RING				1
5	40074662	FEED_BAR_ASSY				1
6	40074601	DIFFERENTIAL_FEED_BAR_ASSY		*		1
7	40068663	FEED BAR PLATE		*		1
8	40068664	SCREW		*		2
9	40074602	DIFFERENTIAL_FEED_BAR		*		1
10	40074615	MAIN_FEED_BAR_ASSY		*		1
11	40068663	FEED BAR PLATE		*		1
12	40068664	SCREW		*		2
13	40074616	MAIN_FEED_BAR		*		1
14	SM4041050TP	SCREW				1
15	40074603	DIFF_FEED_DOG				1
16	SM6030502TP	SCREW M3X5				1
17	40074608	NEEDLE_GUARD			☆	1
18	SM4040800SP	SCREW M4X0.7 L=8				1
19	40074609	MAIN_FEED_DOG				1
20	CQ200000000	COTTON OIL WICK D=2				2
21	40068470	FEED BAR SLIDE BLOCK				1
22	40067172	BUSHING				2
23	40067173	DIFFERENTIAL FEED BAR DRIVING				2
24	SM8050812TP	SCREW M5X8				1
25	40074617	MAIN_FEED_BAR_DRIVE_LINK				1
26	40067155	LINK PIN				1
27	40074618	FEED LIFT ECCENTRIC ASSY				1
28	11856101	NEEDLE COOLER PIN		*		1
29	40067149	FELT		*		1
30	40069918	NUT M6 LEFT		*		1
31	40074619	FEED_LIFT_ECCENTRIC_BALL_JOINT		*		1
32	40074622	CONNECTING_ROD		*		1
33	40074623	BALL_JOINT_COMPLETE		*		1
34	40074627	BALL_FORK		*		1
35	SM6040950TP	SCREW M4 L=8.5		*		1
36	NM6050001SP	NUT M5X0.8 TYPE1		*		1
37	40076293	RUBBER RING				1
38	40074659	FEED_ROCKER_SHAFT				1
39	40074629	DIFF_FEED ADJUSTING LEVER				1
40	40074630	DIFF_FEED_ADJUSTING_LEVER_LINK				1
41	SD0650326TP	SHOULDER SCREW D=6.5 H=3.2				1
42	40067167	DIFFERENTIAL FEED BAR DRIVING				1
43	40067166	DIFFERENTIAL FEED DRIVING LINK				1
44	40074632	FEED_ROCKER				1
45	SM67506A0TP	SCREW M3.5 L=6				2
46	40074633	BUSHING_FOR_FEED_ROCKER_SHAFT				1
47	40074634	FEED_DRIVE_ASSY				1

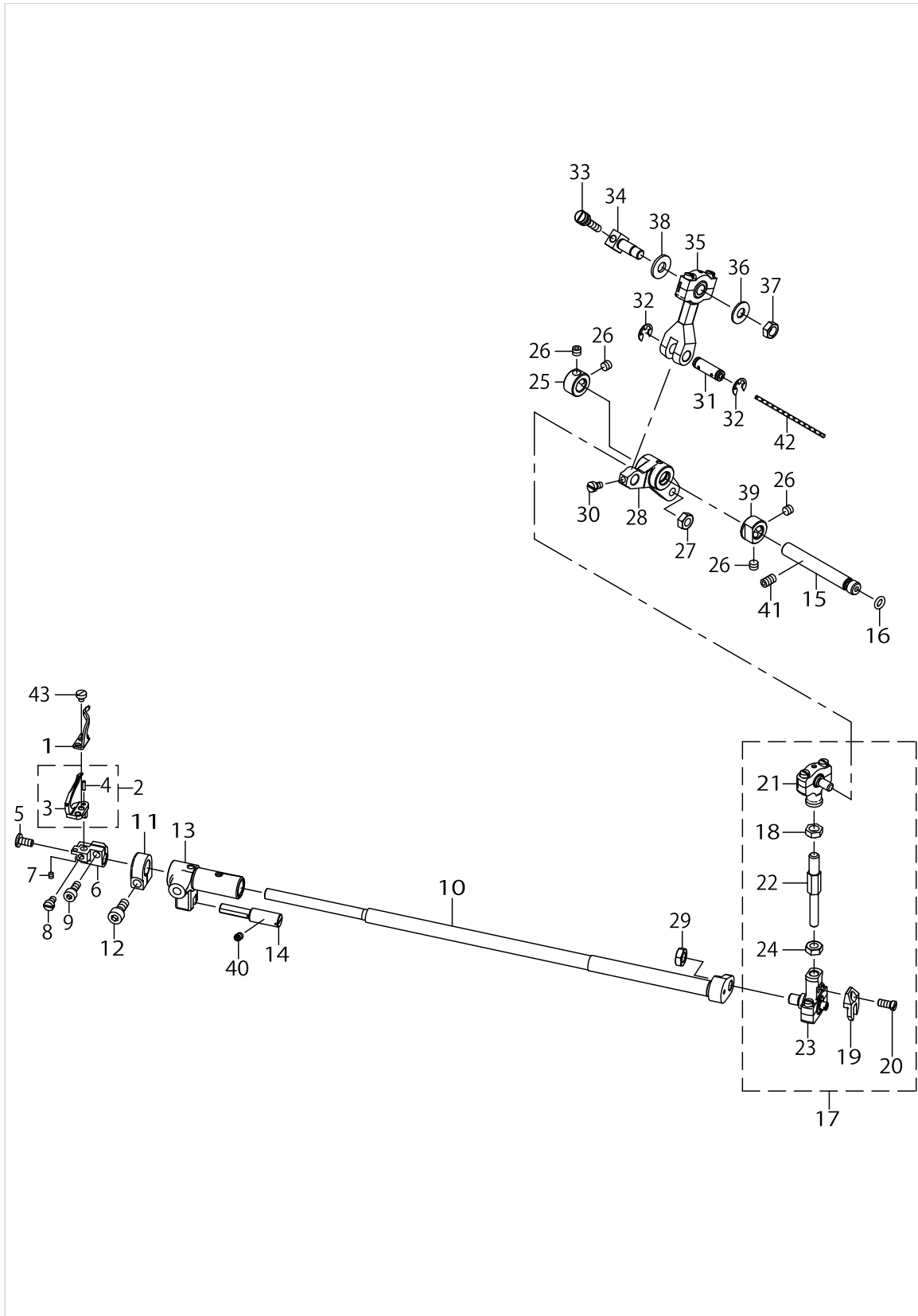
FEED MECHANISM COMPONENTS



FEED MECHANISM COMPONENTS

No.	Parts No.	Parts name	Remarks	Level	Cons	Qty
48	11856101	NEEDLE COOLER PIN		*		1
49	40067149	FELT		*		1
50	40069918	NUT M6 LEFT		*		1
51	40074635	FEED_DRIVE_ECCENTRIC_ASSY		*		1
52	40074637	CONNECTING_ROD		*		1
53	40074638	BALL_JOINT_ASSY		*		1
54	NM6050001SP	NUT M5X0.8 TYPE1		*		1
55	40074641	BALL_SCREW_BRACKET				1
56	40074642	NUT				2
57	40074643	FEED_DRIVE_AVOID_DRIVE_LEVER				1
58	40074659	FEED_ROCKER_SHAFT				1
59	40076293	RUBBER RING				1
60	NM6060003SP	NUT M6 TYPE3				1
61	WP0651056SH	WASHER 6.5X11X1				1
62	40074645	FEED_ROCKER_DRIVE_LINK				1
63	40067155	LINK PIN				1
64	40074646	CONNECTING_ROD				1
65	SD0950646TP	SHOULDER SCREW D=9.5 H=6.4				3
66	SM1040750TP	SCREW M4 L=7				3
67	40074648	DIFF_FEED_CONTROL_ASSY				1
68	40067008	SPRING WASHER		*		1
69	40067009	STOP SCREW PIN		*		2
70	40068392	NUT		*		2
71	40074649	ADJUSTING_LEVER		*		1
72	40074653	GASKET		*		1
73	40074654	ADJUSTING PLATE		*		1
74	40074655	OPERATING_LEVER		*		1
75	RO061180100	O-RING		*		1
76	SM1040950TP	SCREW M4 L=9		*		1
77	WP0951016SP	WASHER 9.53X15X1		*		1
78	SM80506A2TP	SCREW M5 L=6				4
79	40074575	MAIN_FEED_DOG_STEP	FOR L211			1
80	40074576	DIFF_FEED_DOG_STEP	FOR L211			1
81	40074598	MAIN_FEED_DOG_STEP_128	FOR L210			1
82	40074599	DIFF_FEED_DOG_STEP_128	FOR L210			1

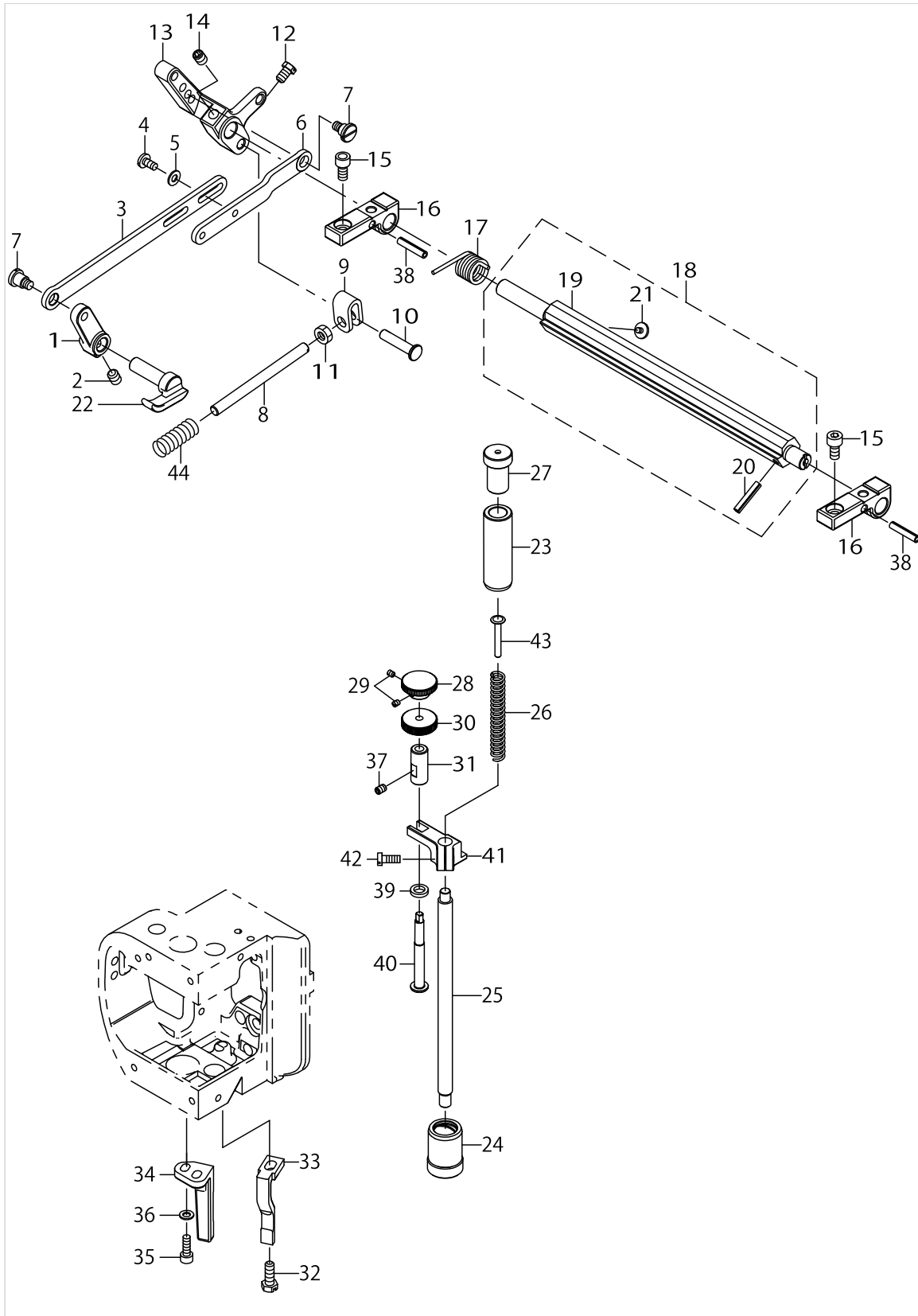
LOOPER COMPONENTS



LOOPER COMPONENTS

No.	Parts No.	Parts name	Remarks	Level	Cons	Qty
1	40074656	LOOPER_MONTEED_NEEDLE_GUARD			☆	1
2	40074596	LOOPER				1
3	40074600	LOOPER		*	☆	1
4	PS0150042K0	SPRING PIN 1.5X 4		*		1
5	SM6040860TP	SCREW M4 L=8				1
6	40074660	LOOPER HOLDER				1
7	SM8850302TP	SCREW M2.5X0.45 L=3				1
8	SM67506A0TP	SCREW M3.5 L=6				1
9	SM6041002TP	SCREW M4X0.7 L=10				1
10	40074661	LOOPER_ROCKER_SHAFT				1
11	40074663	THRUST_COLLAR				1
12	SM6051202TP	SCREW M5X0.8 L=12				1
13	40074664	LOOPER_SHAFT_SLEEVE				1
14	40074665	GUIDE_STUD				1
15	40074666	LOOPER_DRIVER_LEVER_SHAFT				1
16	40068434	O RING				1
17	40074667	LOOPER_DRIVER_CON_ROD_ASSY				1
18	40069918	NUT M6 LEFT		*		1
19	40074627	BALL_FORK		*		1
20	SM6040950TP	SCREW M4 L=8.5		*		1
21	40074668	BALL_JOINT_UPPER		*		1
22	40074671	CONNECTING_ROD		*		1
23	40074672	BALL_JOINT_LOWER		*		1
24	NM6050001SP	NUT M5X0.8 TYPE1		*		1
25	CS0800881TP	THRUST COLLAR D=8 W=8				1
26	SM8050412TP	SCREW M5 L=4				4
27	NM6050001SP	NUT M5X0.8 TYPE1				1
28	40074677	LOOPER_DRIVE_LEVER				1
29	NM6060003SP	NUT M6 TYPE3				1
30	SM67506A0TP	SCREW M3.5 L=6				1
31	40074678	LINK_PIN				1
32	RE0500000K0	E-RING				2
33	40074679	SCREW				1
34	40074680	LOOPER_DRIVE_CRANK_STUD				1
35	40074681	LOOPER_DRIVE_CONN_ROD_ASSY				1
36	WP0621046SP	WASHER				1
37	40069918	NUT M6 LEFT				1
38	40008423	WASHER				1
39	40074684	THRUST_COLLAR				1
40	SM8040612TP	SCREW M4 L=6				1
41	SM8050812TP	SCREW M5X8				1
42	CQ252000000	OIL WICK				0.1
43	SM6030350TP	SCREW M3 L=3.4			☆	2

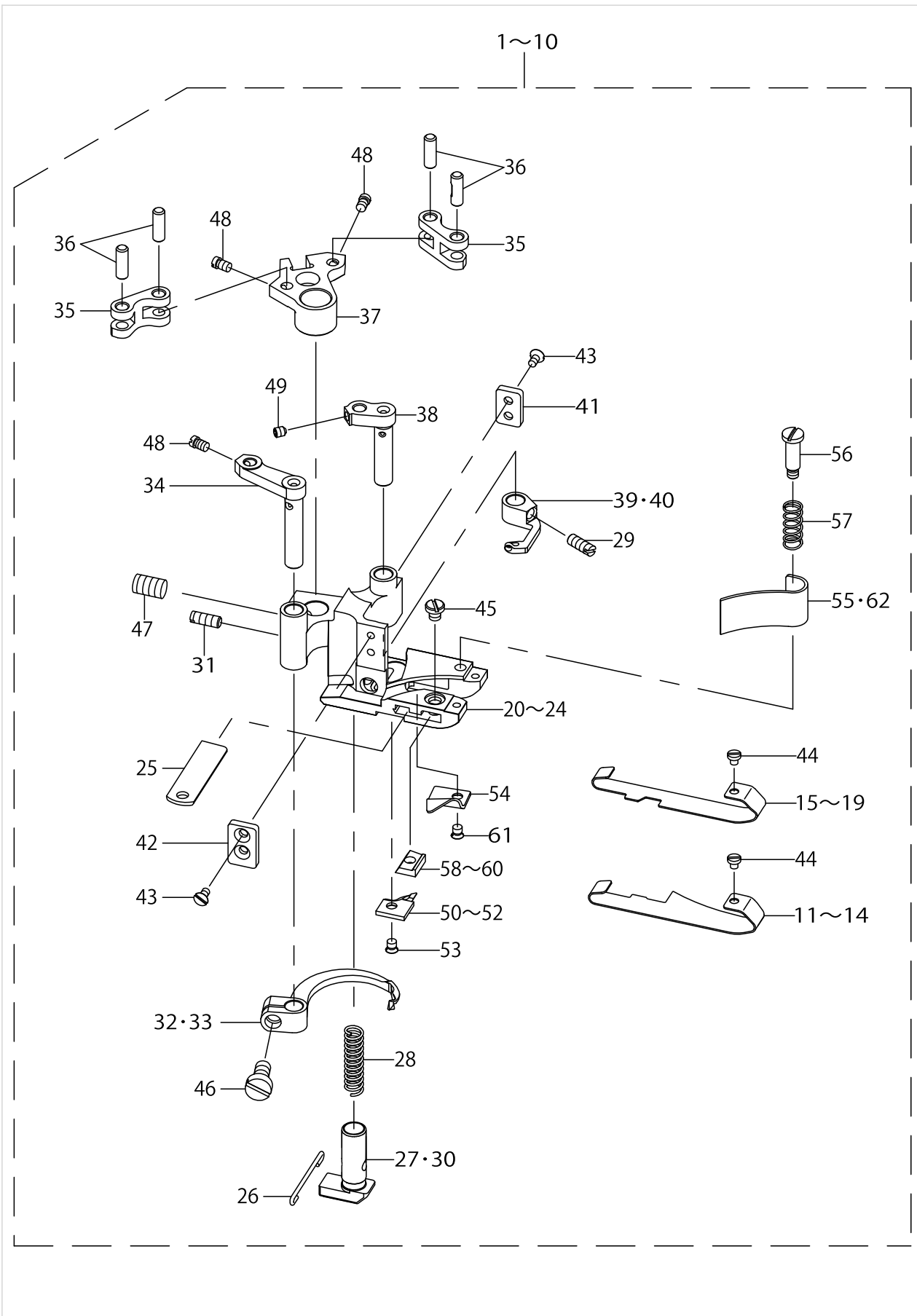
HAND LIFTER COMPONENTS



HAND LIFTER COMPONENTS

No.	Parts No.	Parts name	Remarks	Level	Cons	Qty
1	40074550	LIFT_LEVER_LINK_CONNECTION				1
2	SM8060812TP	SCREW M6 L=8				1
3	40074551	LIFT_LEVER_LINK_L				1
4	SM5040855SN	SCREW				2
5	WP0450801SD	WASHER 4.5X10X0.8				2
6	40074552	LIFT_LEVER_LINK_S				1
7	SD0700586TP	SHOULDER SCREW				2
8	40074553	LIFTER_STOP_PLUNGER				1
9	40074554	LIFTER_STOP_PLUNGER_PLATE				1
10	40074555	LIFTER_STOP_PLUNGER_PIN				1
11	NM6060003SP	NUT M6 TYPE3				1
12	SM9050850SP	SCREW				1
13	40074556	LIFTER_LEVER				1
14	SM8060812TP	SCREW M6 L=8				1
15	SM6051002TP	SCREW M5X0.8 L=10				2
16	40074559	TENSION_PLATE_BRACKET				2
17	40067225	TENSION RELEASE SHAFT SPRING				1
18	40068575	TENSION RELEASE SHAFT ASM.				1
19	40067221	TENSION RELEASE SHAFT BLK		*		1
20	PS0400202KP	SPRING PIN TYPE W 4X20		*		1
21	SM7030450SC	SCREW M3X0.5 L=4		*		1
22	40074560	PRESSER_BAR_LIFTER_LEVER				1
23	40074561	PRESSER_BAR_BUSHING				1
24	40074562	CARRIER_HOOK_SLEEVE_BUSHING				1
25	40074563	PRESSER_BAR				1
26	40074564	PRESSER_BAR_SPRING				1
27	40074565	PRESSER_BAR_REGULATING				1
28	40074566	KNURLED_KNOB				1
29	SM8030450SP	SCREW M3 L=4				2
30	40074567	KNURLED_NUT				1
31	40074568	THREADED_SLEVE				1
32	SM9051400SN	HEXAGON BOLT				1
33	40074450	PRESSER_FOOT_GUIDE_RIGHT				1
34	40074451	PRESSER_FOOT_GUIDE_LEFT				1
35	SM6041202TP	SCREW M4X0.7 L=12				2
36	WP0430800SC	WASHER M4				2
37	SM8040612TP	SCREW M4 L=6				1
38	PS0400202KP	SPRING PIN TYPE W 4X20				2
39	40074570	COLLAR BUMPER				1
40	40074569	SCREW_STUD				1
41	40074456	PRESSER_BAR_GUIDE				1
42	SM6041000SP	SCREW M4 L=10				1
43	40074332	TENSION_DISC_PIN				1
44	40074464	KNIFE HOLDER SPRING				1

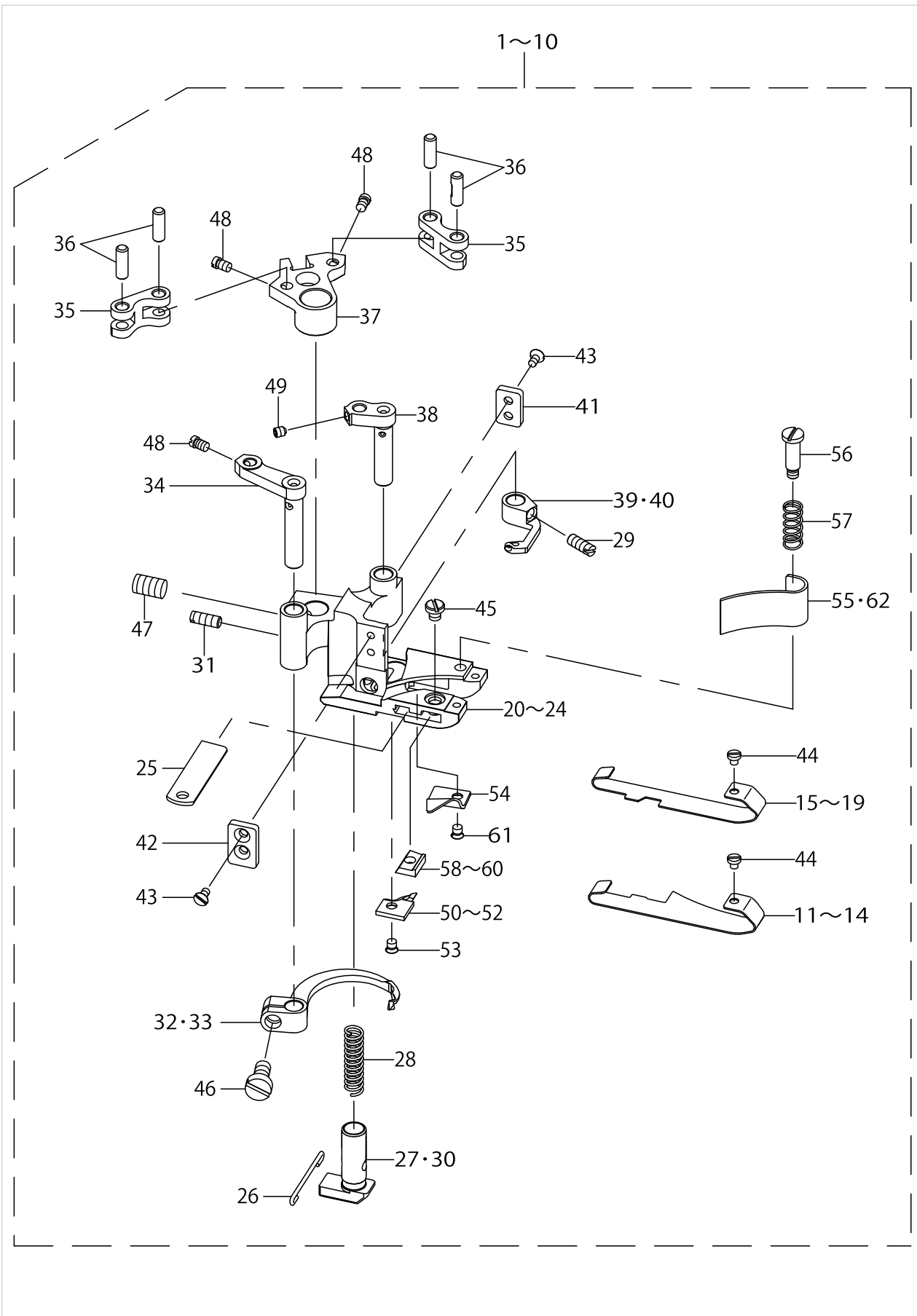
HAND LIFTER ASM. COMPONENTS



HAND LIFTER ASM. COMPONENTS

No.	Parts No.	Parts name	Remarks	Level	Cons	Qty
1	40074529	PRESSER_FOOT_ASSY_L100_52				1
2	40074530	PRESSER_FOOT_ASSY_L200_52				1
3	40074538	PRESSER_FOOT_ASSY_L100_60				1
4	40074539	PRESSER_FOOT_ASSY_L200_60				1
5	40074531	PRESSER_FOOT_ASSY_L201_52				1
6	40074533	PRESSER_FOOT_ASSY_L211_52				1
7	40074545	PRESSER_FOOT_ASSY_L201_60				1
8	40074547	PRESSER_FOOT_ASSY_L211_60				1
9	40074532	PRESSER_FOOT_ASSY_L210_52				1
10	40074546	PRESSER_FOOT_ASSY_L210_60				1
11	40074521	FRESSER_FOOT_SHOE_B_LEFT	FOR ONE SIDE CUT	*	☆	1
12	40074706	FRESSER_FOOT_SHOE_J_LEFT	FOR L200	*	☆	1
13	40074611	FRESSER_FOOT_SHOE_D_LEFT	FOR L201,L210	*	☆	1
14	40074588	FRESSER_FOOT_SHOE_F_LEFT	FOR L211	*	☆	1
15	40074520	FRESSER_FOOT_SHOE_B_RIGHT	FOR ONE SIDE CUT	*	☆	1
16	40074705	FRESSER_FOOT_SHOE_J_RIGHT	FOR L200	*	☆	1
17	40074610	FRESSER_FOOT_SHOE_D_RIGHT	FOR L201	*	☆	1
18	40074589	FRESSER_FOOT_SHOE_F_RIGHT	FOR L211	*	☆	1
19	40074614	FRESSER_FOOT_SHOE_G_RIGHT	FOR L210	*		1
20	40074500	PRESSER_FOOT_BASE_L100	FOR ONE SIDE CUT	*		1
21	40074501	PRESSER_FOOT_BASE_L200	FOR L200	*		1
22	40074580	PRESSER_FOOT_BASE_L201	FOR L201	*		1
23	40074582	PRESSER_FOOT_BASE_L211	FOR L211	*		1
24	40074581	PRESSER_FOOT_BASE_L210	FOR L210	*		1
25	40074479	FIXED_KNIFE		*	☆	1
26	40074498	SHOE_HOLDING_WIRE		*		1
27	40074584	YIELDING_SECTION_L211	FOR L211	*		1
28	40074586	YIEDING_SECTION_SPRING_S		*		1
29	SM8030612TP	SET SCREW		*		1
30	40074503	YIEDING_SECTION		*		1
31	40074504	YIEDING_SECTION_SCREW		*	☆	1
32	40074505	THREAD_HOOK	FOR 5.2MM	*	☆	1
33	40074514	THREAD_HOOK_60	FOR 6MM	*	☆	1
34	40074506	THREAD_HOOK_LEVER		*		1
35	40074507	DRIVING_LEVER_LINK		*		2
36	40074508	LINK_PIN		*		4
37	40074509	DRIVING_SEGMENT		*		1
38	40074510	CARRIER_DRIVING_LEVER		*		1
39	40074511	THREAD_CARRIER	FOR 5.2MM	*	☆	1
40	40074527	THREAD_CARRIER_60	FOR 6MM	*	☆	1
41	40074512	FOOT_GUIDE_PLATE_RIGHT		*		1
42	40074513	FOOT_GUIDE_PLATE_LEFT		*		1
43	SM1020450TP	SCREW M2 L=4		*		4
44	SM6020250TP	SCREW		*		2
45	SM6030350TP	SCREW M3 L=3.4		*		1
46	SM6040800SP	SCREW		*		1
47	SM8050812TP	SCREW M5X8		*		1

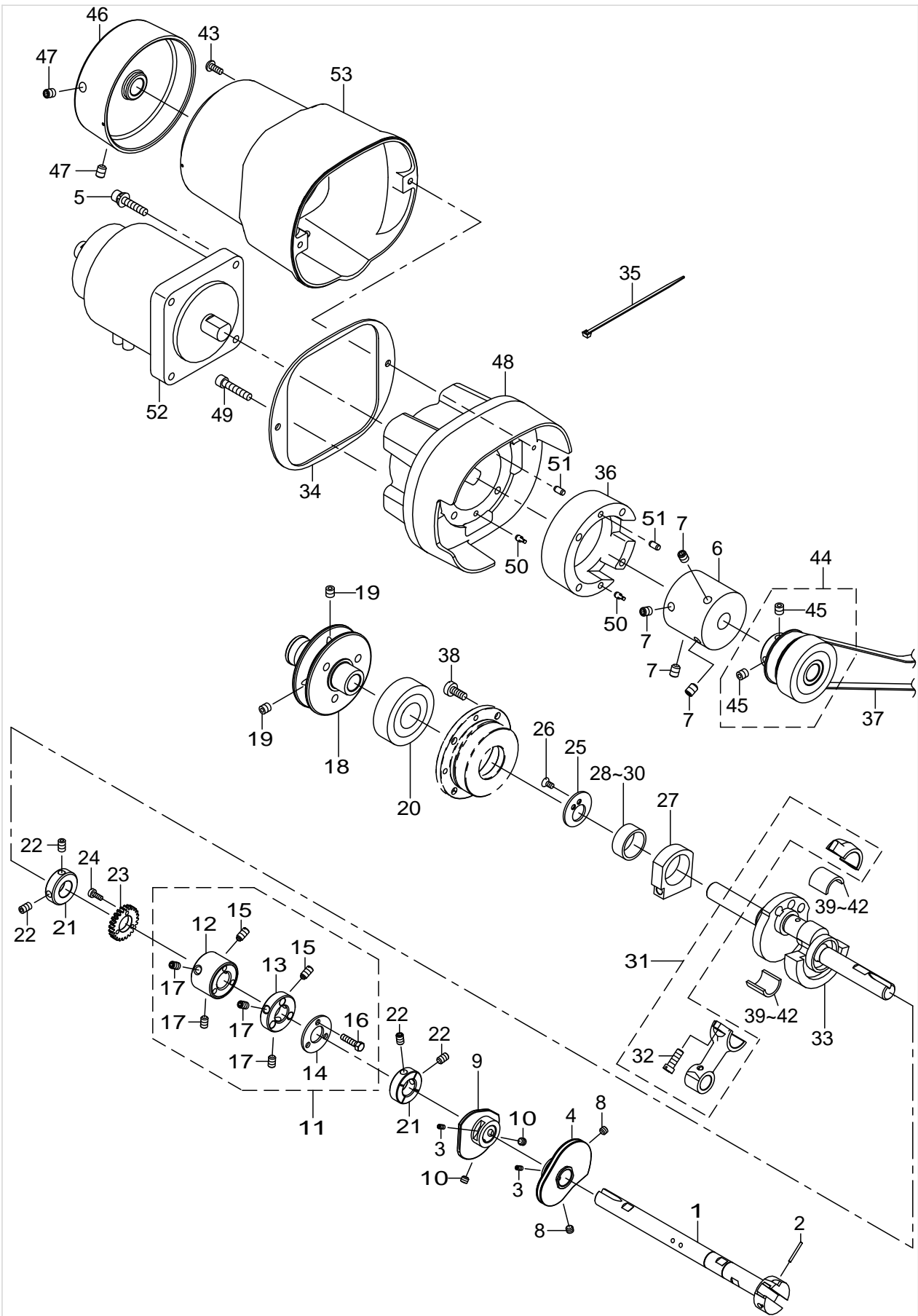
HAND LIFTER ASM. COMPONENTS



HAND LIFTER ASM. COMPONENTS

No.	Parts No.	Parts name	Remarks	Level	Cons	Qty
48	SM6850350TP	FLAT SCREW		*		3
49	SM8850302TP	SCREW M2.5X0.45 L=3		*		1
50	40074515	GUIDE PLATE Z	FOR BOTH SIDE CUT	*		1
51	40074499	GUIDE_PLATE	FOR L201,L210	*		1
52	40074573	GUIDE_PLATE_L211	FOR L211	*		1
53	40053286	SCREW	FOR BOTH SIDE CUT	*		1
54	40074572	GW_GUIDE	FOR L201	*		1
55	40074487	PRESSER_FOOT_CHIP_GUARD		*		1
56	40074488	CHIP_GUARD_SCREW		*		1
57	40074489	CHIP_GUARD_SPRING		*		1
58	40074494	KNIFE_CLAMP_A	SELECTIVE PARTS	*		1
59	40074495	KNIFE_CLAMP_B	SELECTIVE PARTS	*		1
60	40074496	KNIFE_CLAMP_C	SELECTIVE PARTS	*		1
61	40053286	SCREW	FOR L201	*		1
62	40074583	PRESSER_FOOT_CHIP_GUARD_L211	FOR L211	*		1

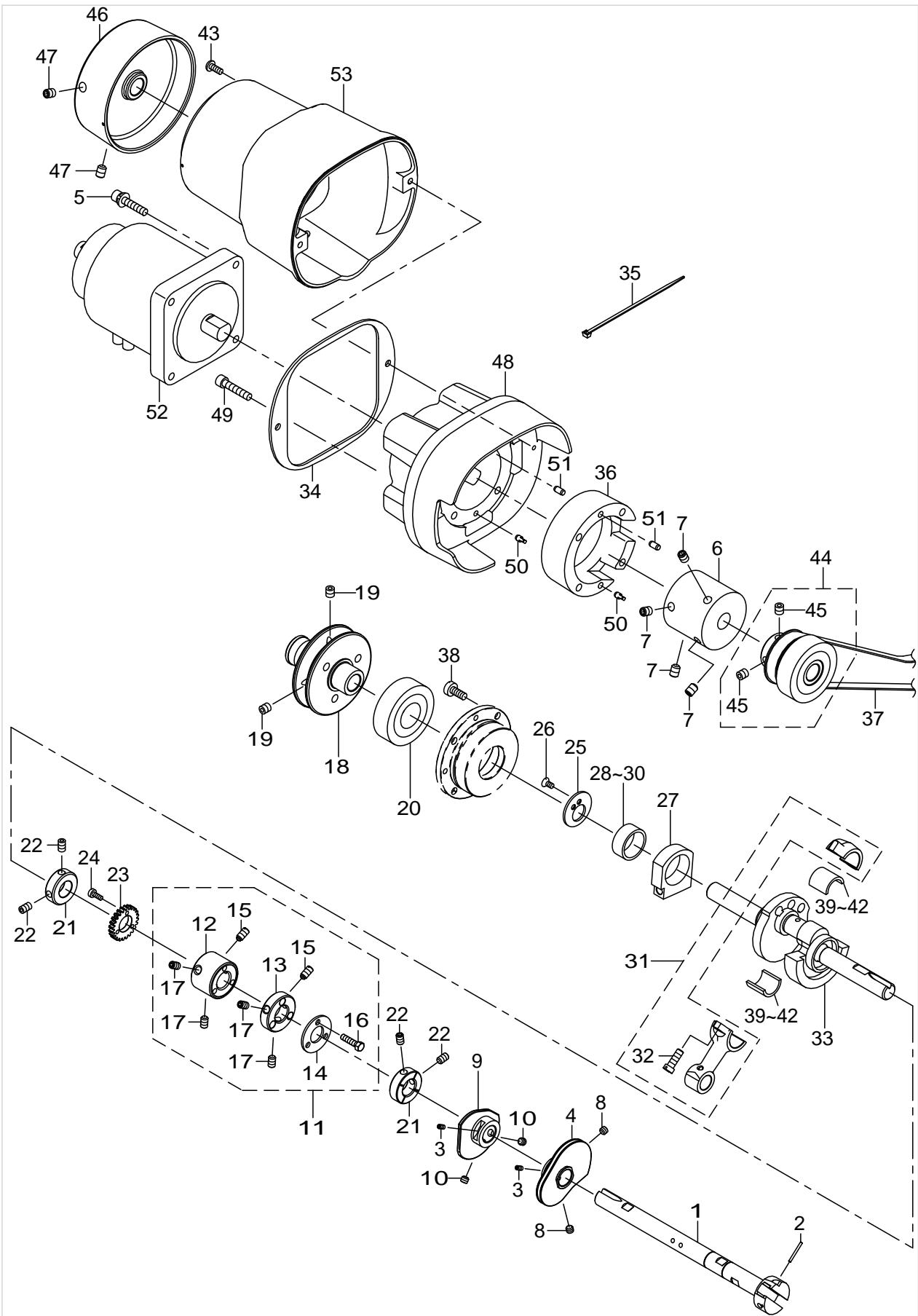
MAIN SHAFT & DIRECT DRIVE UNIT COMPONENTS (1)



MAIN SHAFT & DIRECT DRIVE UNIT COMPONENTS (1)

No.	Parts No.	Parts name	Remarks	Level	Cons	Qty
1	40074740	MAIN_SHAFT				1
2	PS0160162KH	SPRING PIN 1.6X16				1
3	SM8030612TP	SET SCREW				2
4	40074742	DOUBLE_DISK_TAKE_UP_ASSY				1
5	SL6052592TN	SCREW M5 L=25				4
6	40074775	COUPLING				1
7	SM80608A2TP	SCREW M6 L=8				4
8	SM8050412TP	SCREW M5 L=4				2
9	40074746	COVER_THREAD_TAKE_UP_ASSY				1
10	SM8050412TP	SCREW M5 L=4				2
11	40074750	MAIN_SHAFT_COUPLING_ASSY				1
12	40074751	SHAFT_COUPLING_A		*		1
13	40068425	SHAFT COUPLING B		*		1
14	40068424	WASHER PLATE		*		1
15	40068601	SPOT SCREW		*		2
16	40070353	SCREW		*		3
17	SM8050812TP	SCREW M5X8		*		4
18	40074739	PULLEY	FOR CLUTCH			1
19	SM8060612TP	SCREW M6 L=6	FOR CLUTCH			2
20	SB120002200	BEARING	FOR CLUTCH			1
21	40068427	COLLAR				2
22	SM8050812TP	SCREW M5X8				4
23	40068426	OIL PUMP DRIVING GEAR				1
24	SM6030850TP	SCREW M3 L=8				3
25	40074754	RETAINING_PLATE				1
26	SM2750750TP	SCREW M3.5 L=7				2
27	40074755	CARRIER_AND_HOOK_DRIVING_BLOCK				1
28	B210348100A	BEARING	SELECTIVE PARTS			1
29	B210348100B	BEARING	SELECTIVE PARTS			1
30	B210348100C	BEARING	SELECTIVE PARTS			1
31	40074756	NEEDLE_LEVER_CONNECTING_ROD_ASSY				1
32	SM6051450TP	SCREW M5 L=14		*		2
33	40074867	CRANK_SHAFT_B				1
34	40074169	DD_COVER_RUBBER_CUSHION				1
35	EA9500B0100	CABLE BAND				1
36	40098433	BASE_EXTENSION				1
37	40098432	TIMING_BELT				1
38	SM6051250TP	SCREW M5 L=12	FOR CLUTCH			4
39	40075304	NEEDLE BEARING A	SELECTIVE PARTS			1
40	40075305	NEEDLE BEARING B	SELECTIVE PARTS			1
41	40075306	NEEDLE BEARING C	SELECTIVE PARTS			1
42	40075307	NEEDLE BEARING D	SELECTIVE PARTS			1
43	SM4041055SP	SCREW				2
44	40098428	DD_BEARING_ASSY				1
45	SM80608A2TP	SCREW M6 L=8		*		2
46	40074183	DD_MOTOR_PULLEY_COATING				1
47	SM80608A2TP	SCREW M6 L=8				2

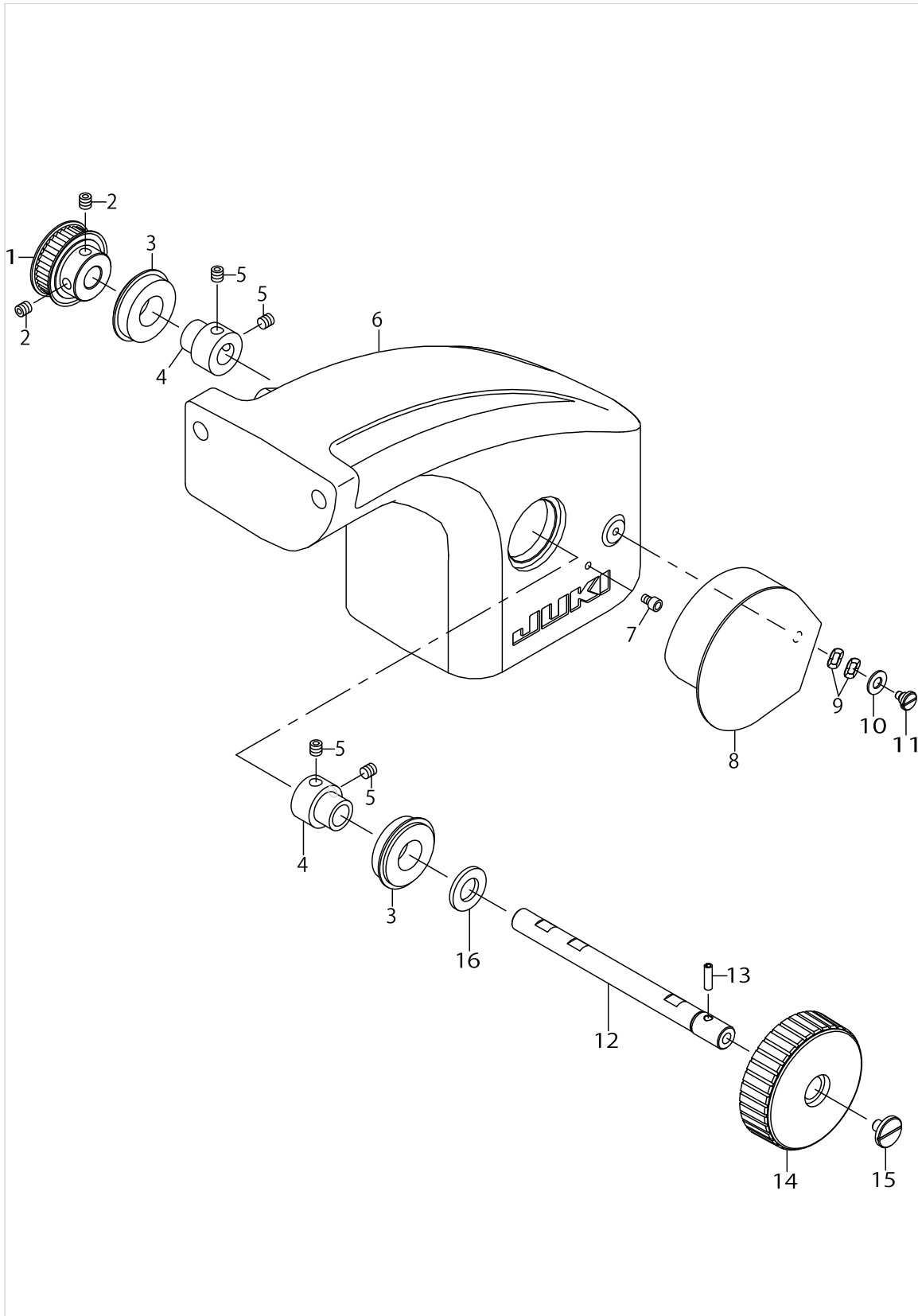
MAIN SHAFT & DIRECT DRIVE UNIT COMPONENTS (1)



MAIN SHAFT & DIRECT DRIVE UNIT COMPONENTS (1)

No.	Parts No.	Parts name	Remarks	Level	Cons	Qty
48	40074869	DD_MOTOR_BASE_B_COATING				1
49	SM6055002TP	SCREW M5 L=50				4
50	13301908	DOWEL_PIN				2
51	13302500	DOWEL_PIN_2				2
52	40074159	AC_SERVO_MOTOR				1
53	40074182	DD_MOTOR_COVER_COATING				1

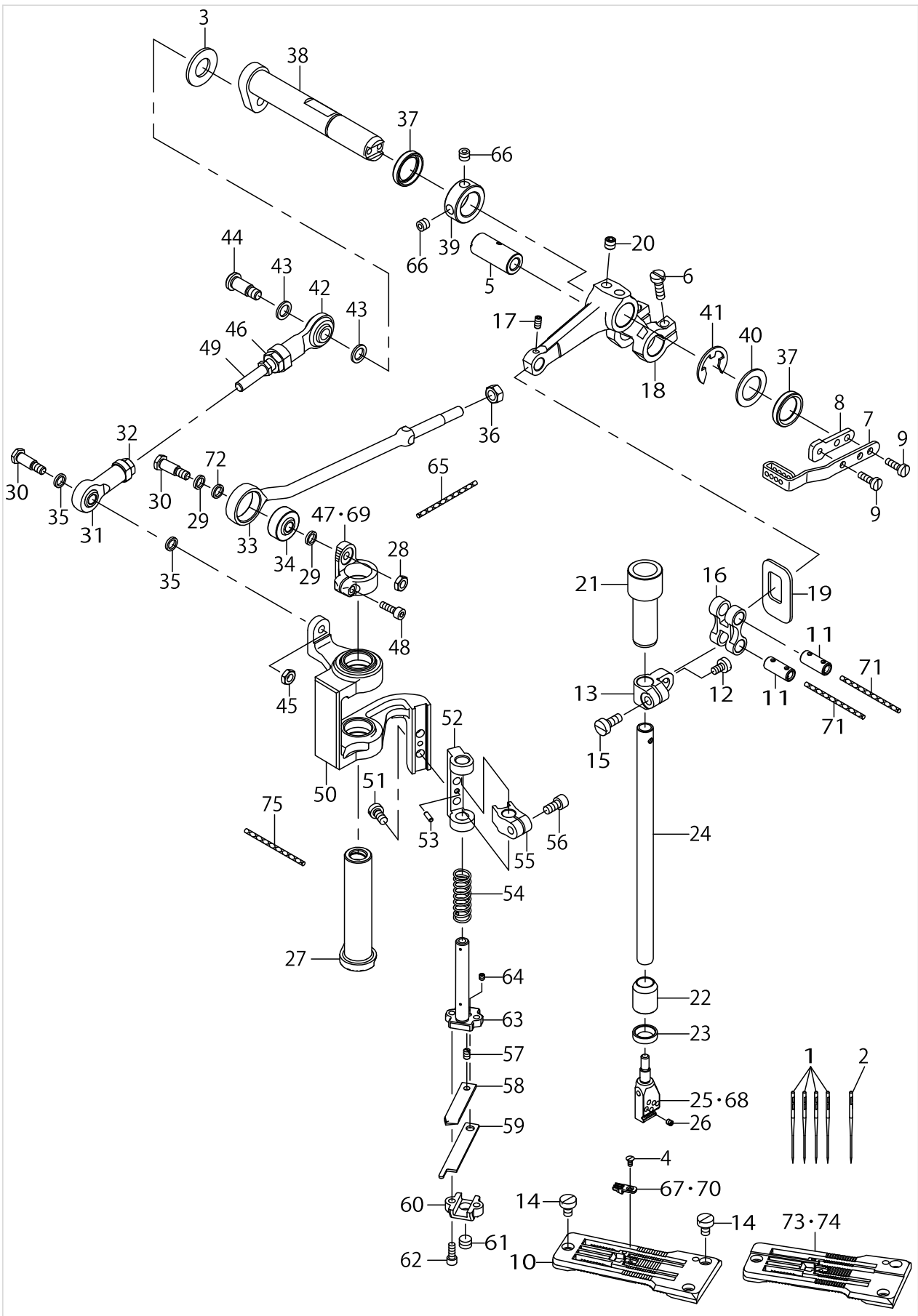
MAIN SHAFT & DIRECT DRIVE UNIT COMPONENTS (2)



MAIN SHAFT & DIRECT DRIVE UNIT COMPONENTS (2)

No.	Parts No.	Parts name	Remarks	Level	Cons	Qty
1	40098440	LOWER_SPROCKET_ASSY				1
2	SM80606A2TP	SCREW M6 L=6				2
3	SB117000400	BEARING				2
4	23618606	BEARING SUPPORT				2
5	SS8660612TP	SCREW 1/4-40 L=6				4
6	40074895	DD_CLUTCH_BASE_B_COATING				1
7	SM6040602TN	BOLT				1
8	40098442	HAND_PULLEY_COVER_ASSY				1
9	WZ0641510KP	WAVED WASHER 6.4X11X0.3				2
10	WP0621016SD	WASHER 6.2X13X1				1
11	SD0600326TP	SHOULDER SCREW D6 H3.2				1
12	40098439	HAND_PULLEY_SHAFT				1
13	PS0400142KH	SPRING PIN 4X14				1
14	B1212210D00	PULLEY				1
15	A123050000A	SET-SCREW				1
16	WP1302501SC	WASHER 13X24X2.5				1

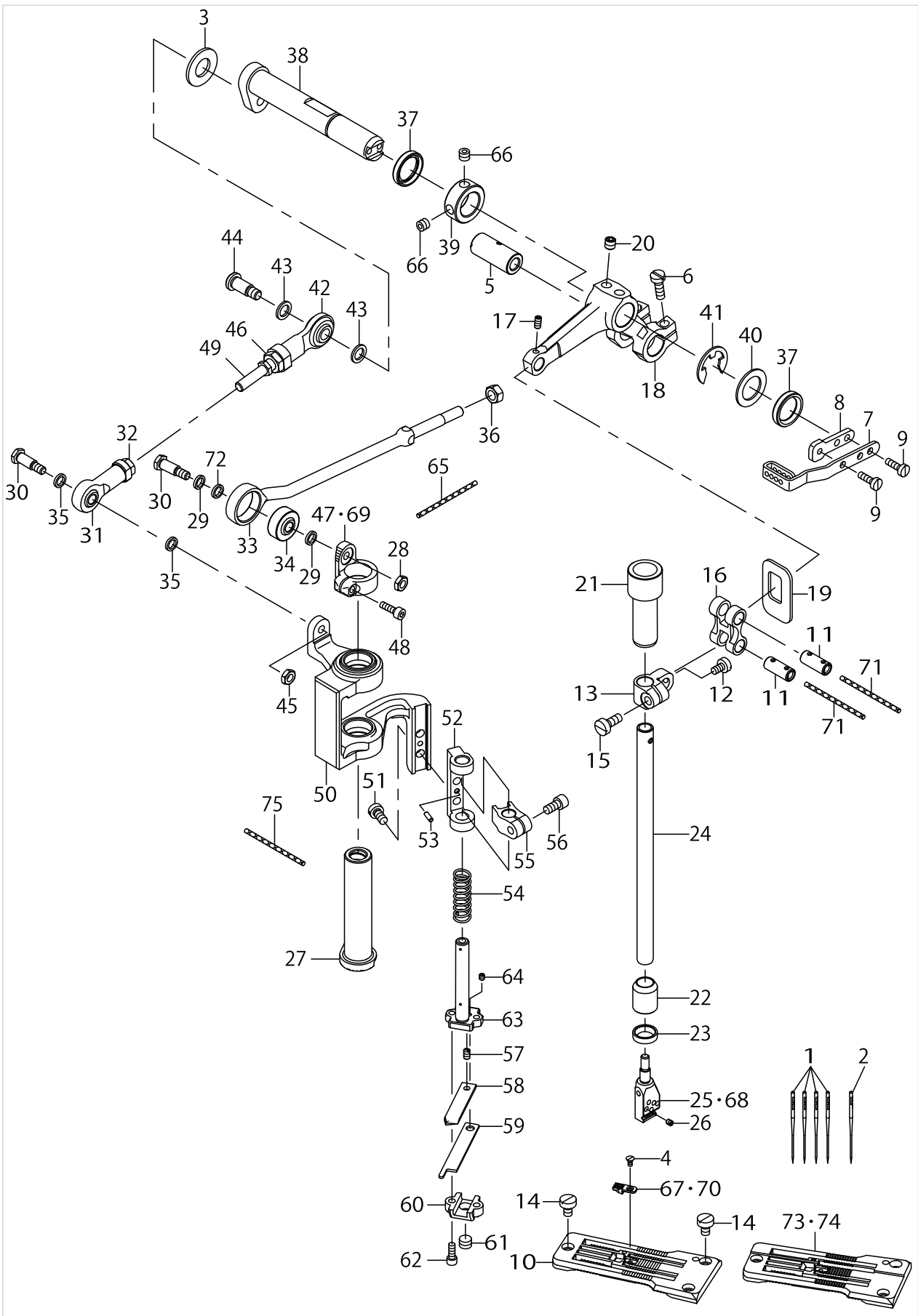
NEEDLE BAR & KNIFE DRIVE COMPONENTS



NEEDLE BAR & KNIFE DRIVE COMPONENTS

No.	Parts No.	Parts name	Remarks	Level	Cons	Qty
1	MFL118B1000	NEEDLE FLX118GCS #10				4
2	MFLG80B0800	NEEDLE FLG-8 RETAINER#8				1
3	G5313172000	SLIDE SHAFT RUBBER				1
4	SM1020450TH	SCREW				1
5	40074759	NEEDLE_LEVER_CONNECTING_ROD_PIN				1
6	SM6041200SP	SCREW M4 L=12				2
7	40074249	THREAD_TAKE_UP_LEVER				1
8	40074250	THREAD_TAKE_UP_LEVER_STUD				1
9	SM6030800SP	SCREW M3X0.5 L=8				3
10	40074490	THROAT_PLATE_A				1
11	40067133	LINK PIN				2
12	SM67506A0TP	SCREW M3.5 L=6				1
13	40074251	NEEDLE_BAR_CONNECTION				1
14	SM6040660TP	SCREW M4 L=6				3
15	SM6041000SP	SCREW M4 L=10				1
16	40074252	NEEDLE_LEVER_LINK				1
17	SM8030612TP	SET SCREW				1
18	40074761	NEEDLE_LEVER				1
19	40074762	NEEDLE_LEVER_SHIELD				1
20	SM8050512TP	SCREW				2
21	40074253	NEEDLE_BAR_BUSHING_UPPER				1
22	40074254	NEEDLE_BAR_BUSHING_LOWER				1
23	40074772	OIL_SEAL				1
24	40074255	NEEDLE_BAR				1
25	40074256	NEEDLE_HEAD_52	FOR 5.2MM			1
26	SM8850350TP	SCREW M2.5 L=3			☆	5
27	40074452	CARRIER_HOOK_DRIVING_SLEEVE				1
28	NM6040003SC	NUT M4X0.7 TYPE3				1
29	13412705	SPACER				2
30	40074454	SCREW				2
31	40093290	ROD_END				1
32	NM6050003SC	NUT M5X0.8 TYPE3				1
33	40074455	CARRIER_HOOK_DRIVING_ROD				1
34	16556508	SPRIT				1
35	13412705	SPACER				2
36	NM6050002SC	NUT M5X0.8 TYPE2				1
37	40074457	OIL_SEAL				2
38	40074458	KNIFE_DRIVE_LEVER				1
39	40074773	THRUST_COLLAR				1
40	40074774	THRUST_WASHER				1
41	RE1000000K0	E-RING 10				1
42	40109081	ROD_END				1
43	WP0621026SP	WASHER 6.2X9.5X1				2
44	SD0601036TP	SHOULDER SCREW D=6 H=10.3				1
45	NM6040003SC	NUT M4X0.7 TYPE3				1
46	NM6060003SC	NUT M6X1 TYPE3				1
47	40074460	SLEEVE_DRIVING_LEVER_52	FOR 5.2MM			1

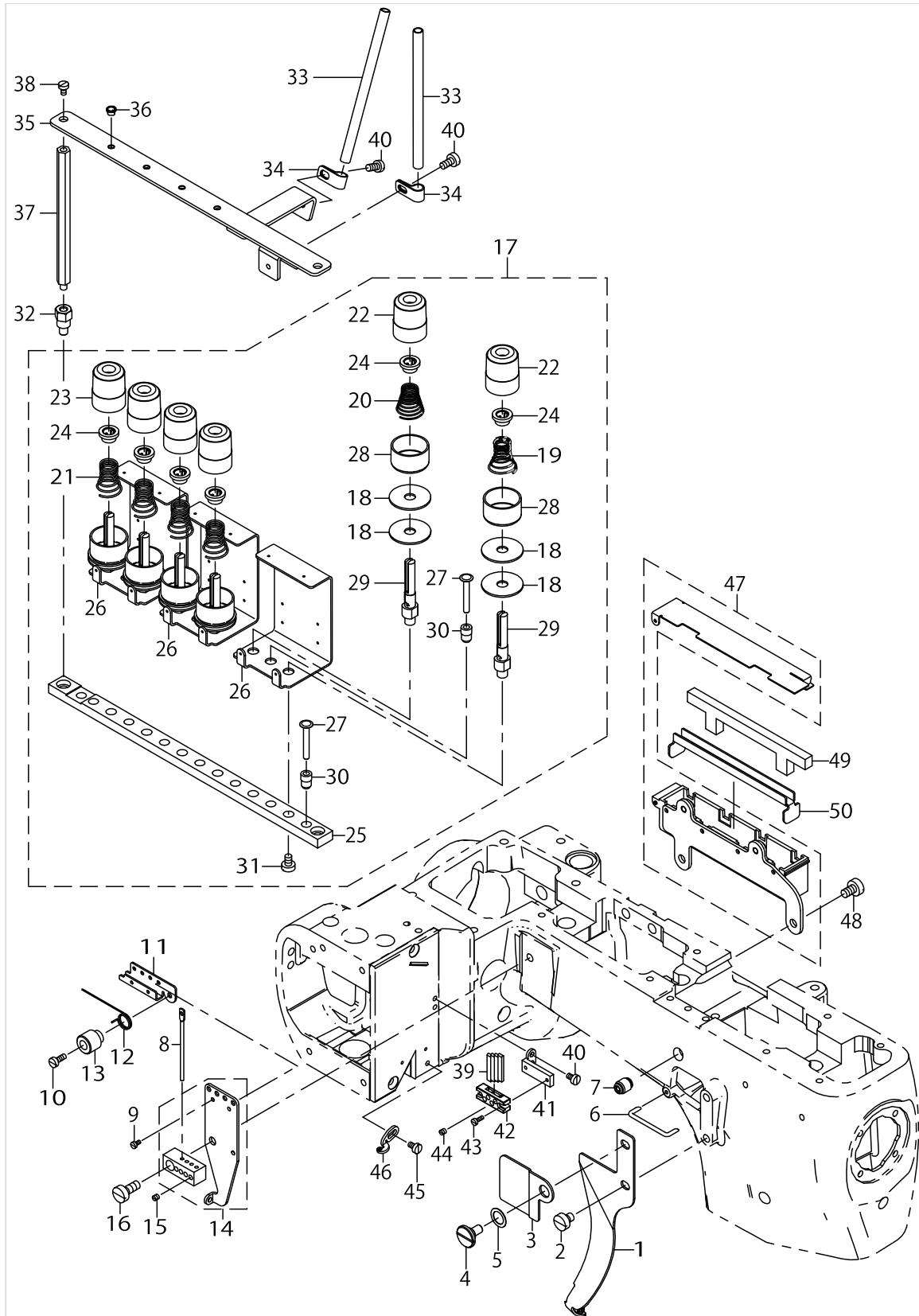
NEEDLE BAR & KNIFE DRIVE COMPONENTS



NEEDLE BAR & KNIFE DRIVE COMPONENTS

No.	Parts No.	Parts name	Remarks	Level	Cons	Qty
48	SM6031002TP	SCREW M3X0.5 L=10				1
49	40074461	KNIFE_DRIVE_STUD				1
50	40074471	KNIFE_DRIVE_BRACKET_ASSY				1
51	SM6040800SP	SCREW				2
52	40074453	KNIFE HOLDER_GUIDE_BASE				1
53	13377304	PIVOT_PIN				1
54	40074464	KNIFE HOLDER_SPRING				1
55	40074465	KNIFE HOLDER_GUIDE_COLLAR				1
56	SM6040802TP	SCREW M4X0.7 L=8				1
57	40074466	SCREW				1
58	40074467	KNIFE_SUPPORT				1
59	40074468	KNIFE_UPPER			☆	1
60	40074469	KNIFE HOLDER				1
61	SM8480452TP	SCREW M6X0.75 L=4				1
62	SM6030802TP	SCREW M3X0.5 L=8				2
63	40074470	KNIFE HOLDER_SHANK				1
64	SM8850302TP	SCREW M2.5X0.45 L=3				1
65	CQ200000000	COTTON OIL WICK D=2				1
66	SM8050412TP	SCREW M5 L=4				2
67	40074491	STITCH_TONGUE_A	FOR 5.2MM		☆	1
68	40074258	NEEDLE_HEAD_60	FOR 6MM			1
69	40074473	SLEEVE_DRIVING_LEVER_60	FOR 6MM			1
70	40074528	STITCH_TONGUE_B	FOR 6MM		☆	1
71	CQ303000000	OIL WICK				0.2
72	13412705	SPACER	FOR 6MM			1
73	40074574	THROAT_PLATE_STEP	FOR L211			1
74	40074597	THROAT_PLATE_STEP_128	FOR L210			1
75	CQ200000000	OIL WICK				1

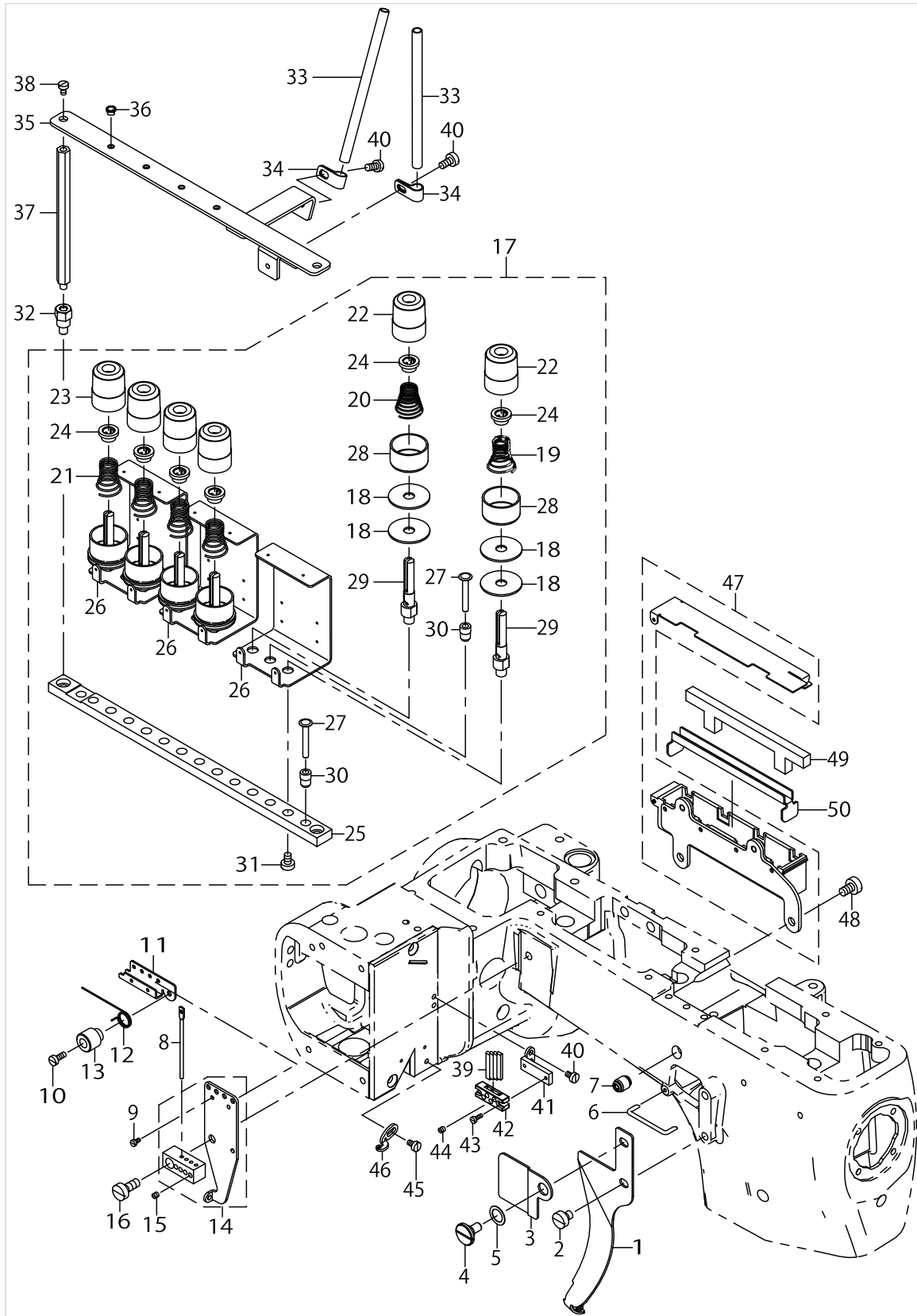
THREAD TENSION COMPONENTS



THREAD TENSION COMPONENTS

No.	Parts No.	Parts name	Remarks	Level	Cons	Qty
1	40074315	THREAD_SHIELD_ASSY				1
2	SM6050610SC	SCREW M5X0.8 L=6				1
3	40074432	THREAD_SHIELD_PLATE_COVER				1
4	SD0800327TP	SHOULDER SCREW D=8 H=3.2				1
5	WZ0850302K0	WAVED WASHER 8.5X12.5X0.3				1
6	40074328	THREAD_GUIDE_WIRE				1
7	40074329	THREAD_GUIDE				1
8	40074316	NEEDLE_THREAD_EYELET				4
9	SM6020460TP	SCREW				2
10	SM6030800SP	SCREW M3X0.5 L=8				1
11	40074317	STITCH_UNLOCKER_MOUNTUNG_BRACKET				1
12	40074318	UNLOCKING_SPRING				1
13	40074319	SPRING HOLDER				1
14	40074322	FRAME_NEEDLE_THREAD_EYELET				1
15	SM8030350TP	SCREW				4
16	SM6051260SP	SCREW M5 L=12				1
17	40074411	TENSION_ASSY				1
18	13138201	THREAD TENSION DISK		*		12
19	13138508	THREAD TENSION SPRING		*		1
20	13138805	THREAD TENSION SPRING		*		1
21	13140504	TENSION SPRING		*		4
22	40042363	KNOB		*		2
23	40042364	KNOB GREEN		*		4
24	40042365	SPRING BUSHING		*		6
25	40074330	TENSION_SUPPORT		*		1
26	40074331	TENSION_THREAD_EYELET		*		3
27	40074332	TENSION_DISC_PIN		*		7
28	40074333	SHIELD_FOR_TENSION_SPRING		*		6
29	40074334	TENSION_POST		*		6
30	40074373	BUSHING		*		7
31	SM6040650TP	SCREW		*		6
32	40074336	SCREW_POST				2
33	40074337	EYELET_TUBE				2
34	40074338	EYELET_TUBE HOLDER				2
35	40074339	EYELET_PLATE				1
36	B1908505000	THREAD PASS BUSH				4
37	E3762725000	CSP LIGHT STUD				2
38	SM6030500SN	SCREW M3 L=5				2
39	40074340	NEEDLE_THREAD_STRIKE_OFF_PIN				4
40	SM6030500SN	SCREW M3 L=5				4
41	40074341	NEEDLE_THREAD_TAKE_UP				1
42	40074393	STRIKE_OFF_PIN HOLDER_ASSY				1
43	SM6020600TP	SCREW				2
44	SM8030350TP	SCREW			☆	4
45	SM6030500SN	SCREW M3 L=5				1
46	40074344	COVER_THREAD_EYELET				1
47	40074345	SILICONE_TANK_ASSY				1

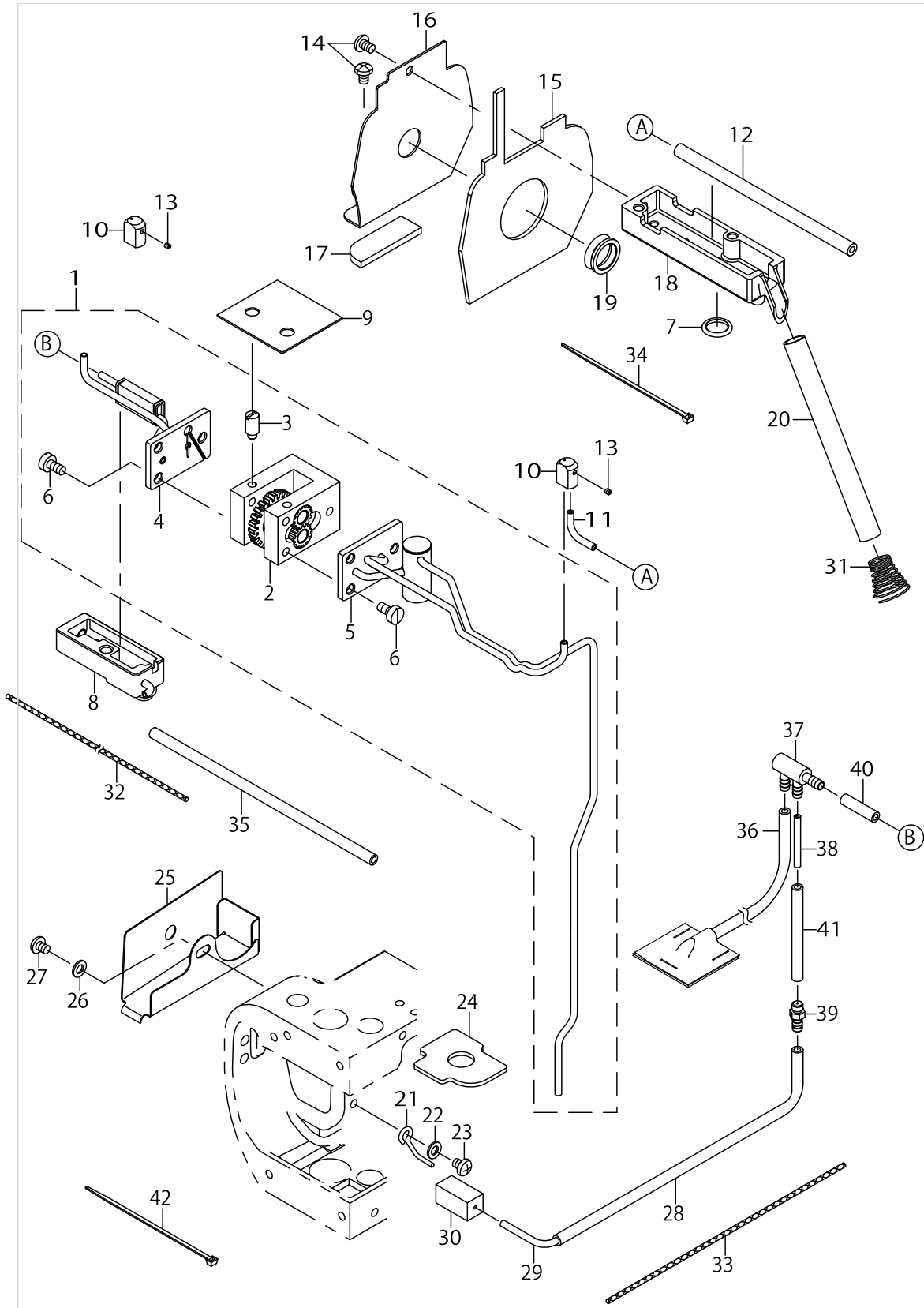
THREAD TENSION COMPONENTS



THREAD TENSION COMPONENTS

No.	Parts No.	Parts name	Remarks	Level	Cons	Qty
48	SM6050800SP	SCREW M5 L=8				2
49	40074049	SILICONE_TANK_FELT				1
50	40074382	FELT_SUPPORT				1

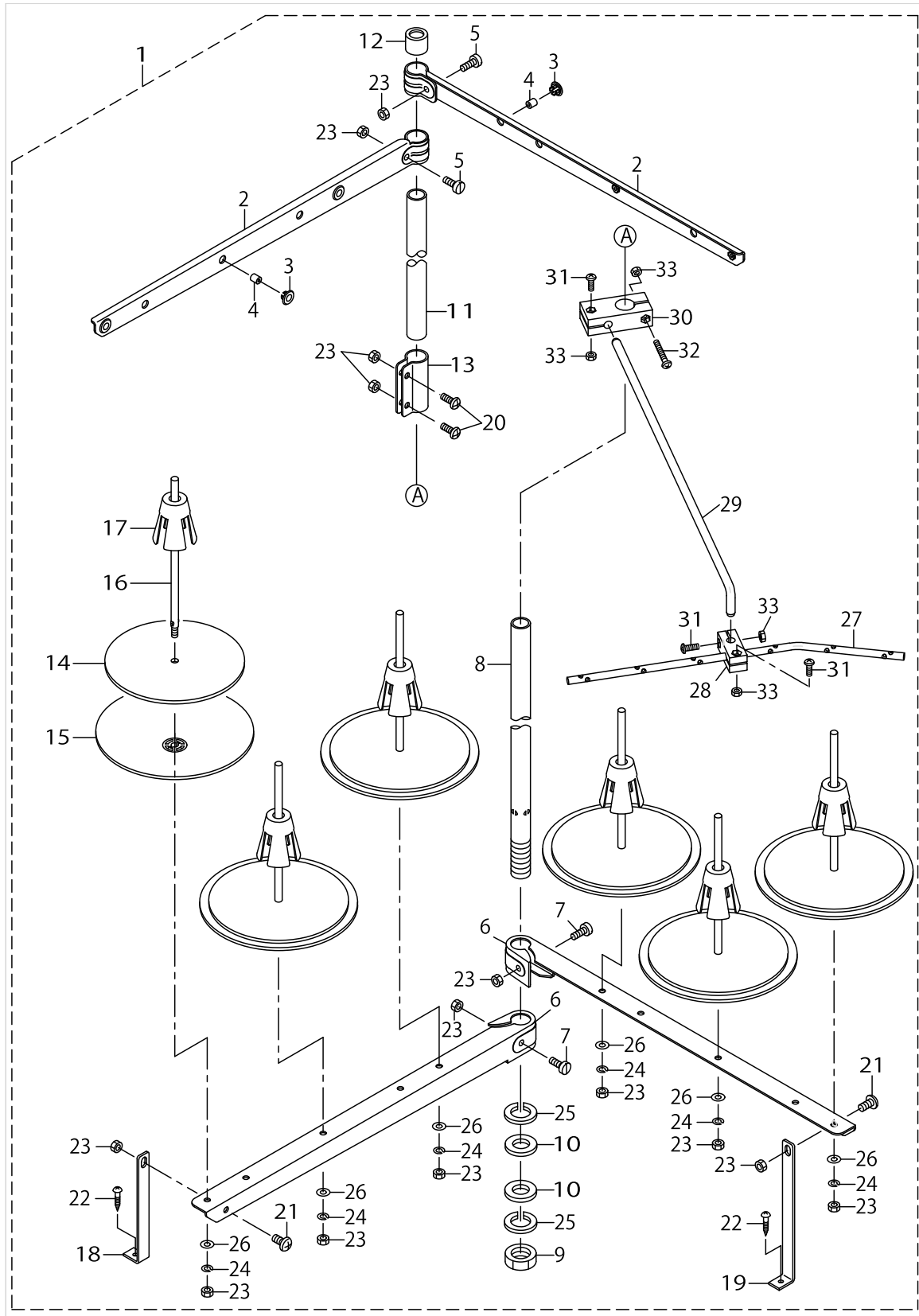
OIL LUBRICATION COMPONENTS



OIL LUBRICATION COMPONENTS

No.	Parts No.	Parts name	Remarks	Level	Cons	Qty
1	40074349	OIL_PUMP_ASSY				1
2	40074300	PUMP_GEAR_ASSY		*		1
3	40074350	VENT_SCREW		*		2
4	40074351	OIL_PIPE_REAR_ASSY		*		1
5	40074358	OIL_PIPE_FRONT_ASSY		*		1
6	SM6040870SP	SCREW		*		6
7	RO098190100	O-RING				1
8	40074438	OIL_RESERVOIR_BACK				1
9	40067116	GASKET				1
10	40074364	OIL_SPLITTER_BLANK				2
11	40074365	OIL_SPLITTER_PIPE				1
12	23630007	TUBE				0.11
13	SM8020202UZ	SCREW				2
14	SM4040655SP	SCREW M4 L=6				2
15	40074396	GASKET				1
16	40074395	TAKE_UP_SHIELD				1
17	40067120	FELT				1
18	40074390	OIL_RESERVOR_FRONT				1
19	40067123	OIL SEAL RING				1
20	23630106	TUBE B				0.11
21	40074367	OIL_DEFLECTOR_WIRE				1
22	WP0430800SC	WASHER M4				1
23	SM4040501SN	SCREW M4X0.7 L=5				1
24	40074368	FELT				1
25	40074370	OIL_GUARD				1
26	WP0430800SC	WASHER M4				1
27	SM4040501SN	SCREW M4X0.7 L=5				1
28	23630007	TUBE				0.16
29	40074326	OIL_PIPE				1
30	40074727	OIL_INTAKE_FELT_ADD_PROCESS				1
31	13140504	TENSION SPRING				1
32	CQ200000000	OIL WICK				0.9
33	CQ200000001	OIL WICK				0.15
34	EA9500B0100	CABLE BAND				1
35	23630007	TUBE				0.14
36	40082824	FELT ASM.				1
37	23629504	DISTRIBUTOR				1
38	CQ2500000F0	OIL WICK				1
39	SQ2050452MZ	CONNECTING SCREW				1
40	23630007	TUBE				0.02
41	23630007	TUBE				0.05
42	EA9500B0100	CABLE BAND				1

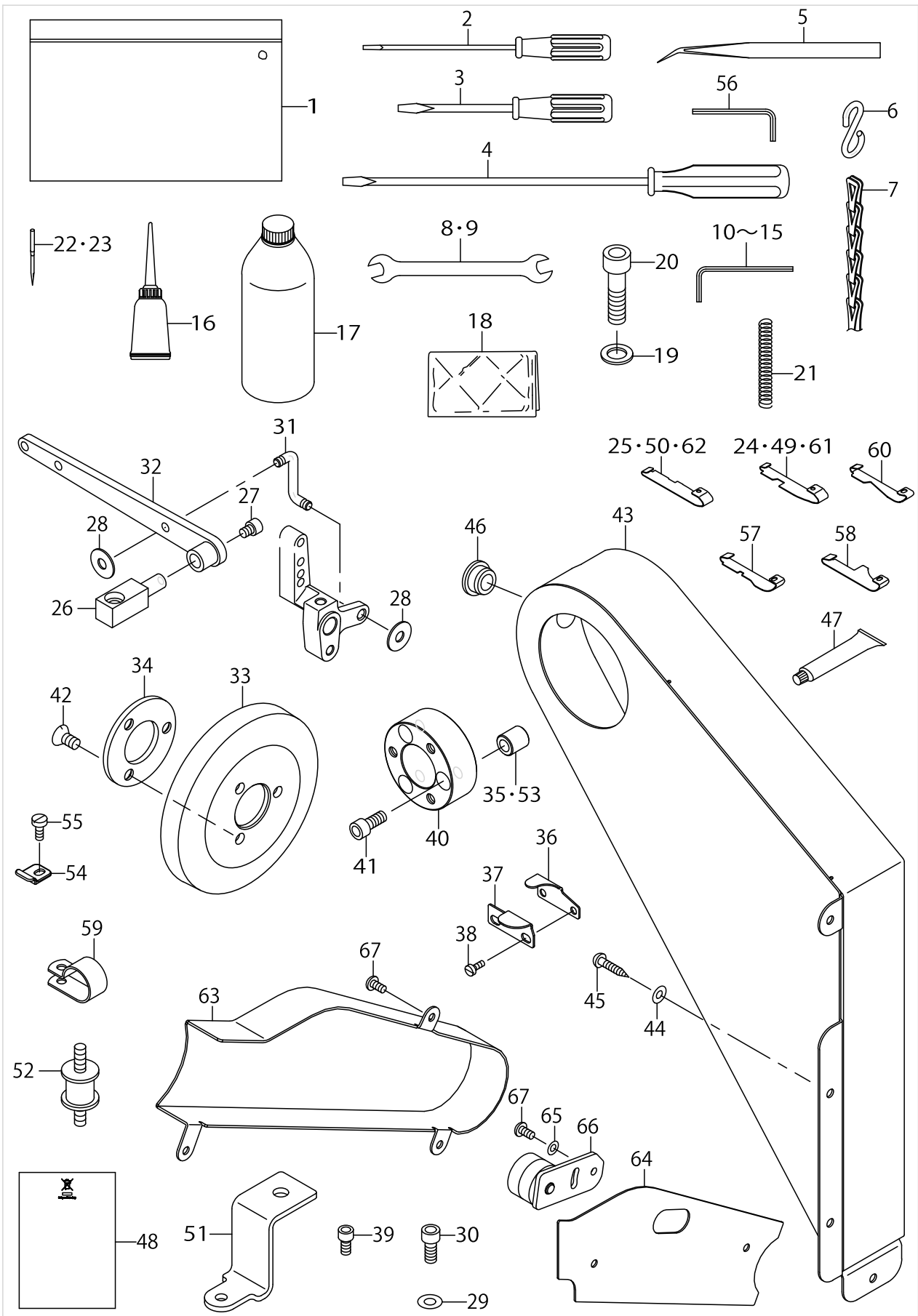
THREAD STAND COMPONENTS



THREAD STAND COMPONENTS

No.	Parts No.	Parts name	Remarks	Level	Cons	Qty
1	40106586	THREAD STAND PACKING				1
2	40106575	SPOOL REST LONG ARM UPPER		*		2
3	40085795	THREAD GUIDE BUSHING		*		6
4	40085794	THREAD GUIDE		*		6
5	40096327	SPOOL REST ARM UPPER SCREW		*		2
6	40106574	SPOOL REST LONG ARM LOWER		*		2
7	40096326	SPOOL REST ARM LOWER SCREW		*		2
8	40085784	SPOOL REST ROD LOWER		*		1
9	40096325	SPOOL REST ROD NUT		*		1
10	40085796	SPOOL REST ROD RUBBER CUSHION		*		2
11	40085785	SPOOL REST ROD UPPER		*		1
12	40085793	SPOOL REST ROD RUBBER CAP		*		1
13	40085792	SPOOL REST ROD JOINT		*		1
14	40085789	SPOOL REST CUSHION		*		6
15	40085788	SPOOL REST		*		6
16	40085790	SPOOL PIN		*		6
17	40085791	SPOOL RETAINER		*		6
18	40106577	SPOOL REST ARM LOWER A		*		1
19	40106578	SPOOL REST ARM LOWER B		*		1
20	SM4051405SE	SCREW M5 L=14		*		2
21	SM4051001SE	SCREW M5 L=10		*		2
22	SK3412001SE	WOOD SCREW D=4.1 L=20		*		2
23	NM6050001SE	NUT M5X0.8 TYPE1		*		14
24	WP0531001SC	WASHER M5		*		6
25	WP1612616SE	WASHER 16X30X2.6		*		2
26	WS0510002KN	SPRING WASHER M5		*		6
27	40106583	THREAD GUIDE 6		*		1
28	40106580	THREAD GUIDE UNDER BASE		*		1
29	40106576	THREAD GUIDE ARM		*		1
30	40106579	THREAD GUIDE ARM BASE		*		1
31	SM4041201SC	SCREW M4X0.7 L=12		*		3
32	SM4042501SC	SCREW M4X0.7 L=25		*		1
33	NM6040002SC	NUT M4X0.7 TYPE2		*		4

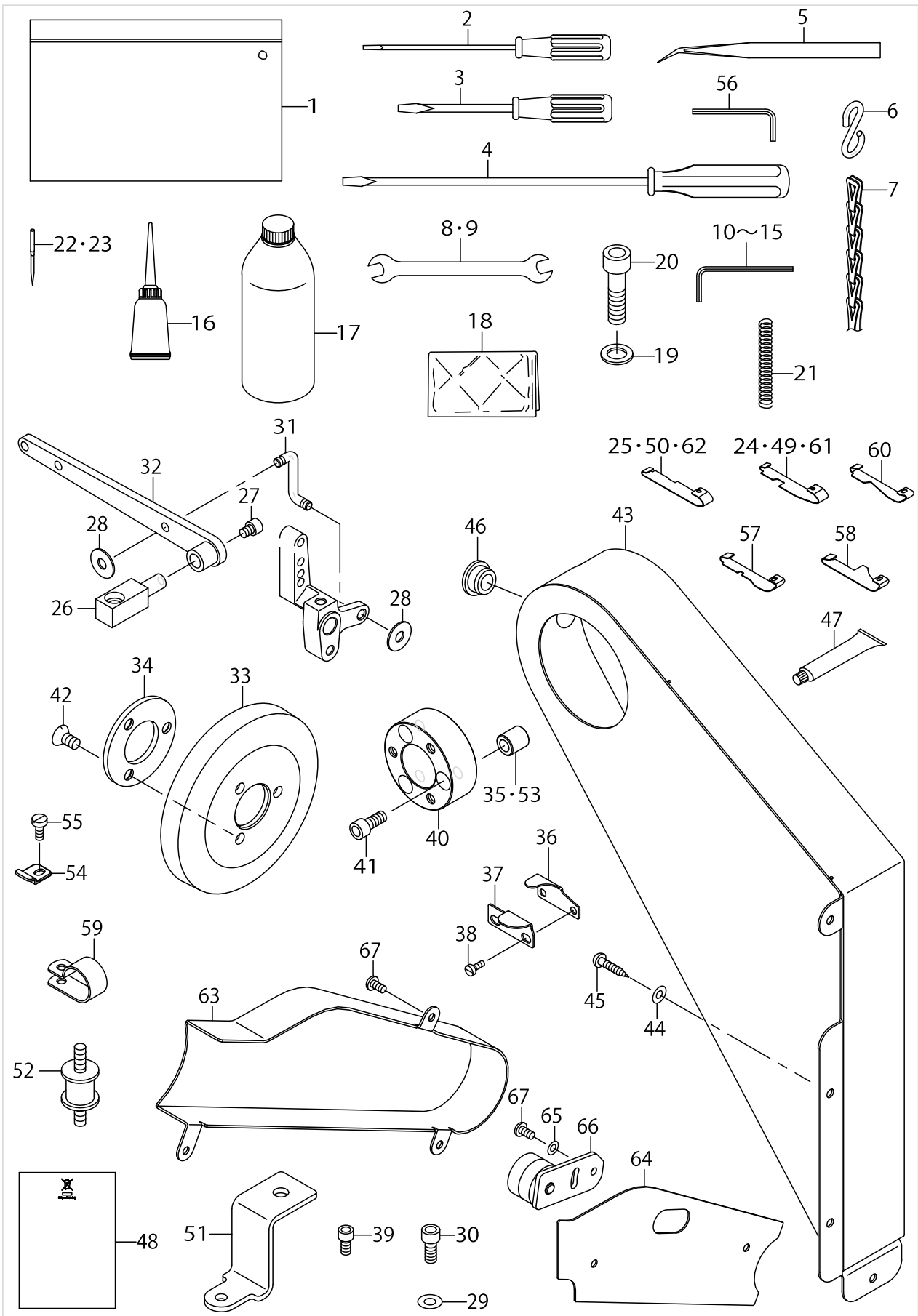
ACCESSORIE PARTS COMPONENTS



ACCESSORIE PARTS COMPONENTS

No.	Parts No.	Parts name	Remarks	Level	Cons	Qty
1	22932800	ACCESSORIE BAG				1
2	12347308	SCREW DRIVER (SMALL)				1
3	22933105	SCREW DRIVER				1
4	22933006	SCREW DRIVER				1
5	12288403	TWEEZERS				1
6	13160304	S SHAPED HOOK				2
7	26037903	CHAIN				1
8	B9143372000	WRENCH (7.1 X 8.1)				1
9	B9113012000	WRENCH (9X10)				1
10	40079298	WRENCH				1
11	J106600000C	HEXAGONAL WRENCH KEY 2.5				1
12	40055591	HEXAGONAL WRENCH KYE				1
13	J106600000F	HEXAGONAL WRENCH KEY				1
14	J106600000G	HEXAGONAL WRENCH KEY				1
15	40067311	ALLEN WRENCH SIZE 8MM				1
16	B91210120A0	OILER ASM.				1
17	MDFRX2001L09	DEFRIX OIL NO.2				1
18	40048536	HEAD_COVER				1
19	WP1051416SD	WASHER 10.5X17X1.4				2
20	SM6103502TP	SCREW M10 L=35				2
21	40074571	PRESSER_BAR_SPRING				1
22	MFL118B1005	NEEDLE FLX118GCS #10-5				1
23	MFLG80B0802	NEEDLE FLG-8 RETAINER#8-2				1
24	40074962	PRESSER_FOOT_SHOE_N_RIGHT	FOR L100		☆	1
25	40074963	PRESSER_FOOT_SHOE_N_LEFT	FOR L100		☆	1
26	40074558	LIFTER_BRACKET				1
27	SM6050650TP	SCREW M5 L=6				1
28	RO029180100	O-RING				2
29	WP0621036SP	WASHER	FOR DD			6
30	SM6061402TP	SCREW M6 L=14				1
31	40067238	LIFTER LEVER CONNECTING LINK				1
32	40067239	PRESSER FOOT CONNECTING LIFTER LEVER				1
33	40068588	HANDWHEEL	FOR CLUTCH			1
34	40068589	CLAMP PLATE	FOR CLUTCH			1
35	22962609	REVERSE FEED BASE COLLAR	FOR CLUTCH			3
36	40074232	CHAIN_CUTTING_KNIFE_GUARD				1
37	40074233	CHAIN_CUTTING_KNIFE				1
38	SM6030800SP	SCREW M3X0.5 L=8				2
39	SM6051002TP	SCREW M5X0.8 L=10				1
40	40083674	BELT COVER SPACER	FOR CLUTCH			1
41	SM6063502TP	SCREW M6 L=35	FOR CLUTCH			3
42	SS1151310TP	SCREW	FOR CLUTCH			3
43	40083683	BELT COVER	FOR CLUTCH			1
44	WP0450826SC	WASHER 4.5X10X0.8	FOR CLUTCH			4
45	SK3412001SE	WOOD SCREW D=4.1 L=20	FOR CLUTCH			4
46	TA1470704R0	RUBBER PLUG	FOR CLUTCH			1
47	40013640	JUKI_GREASE_B_TUBE			☆	1

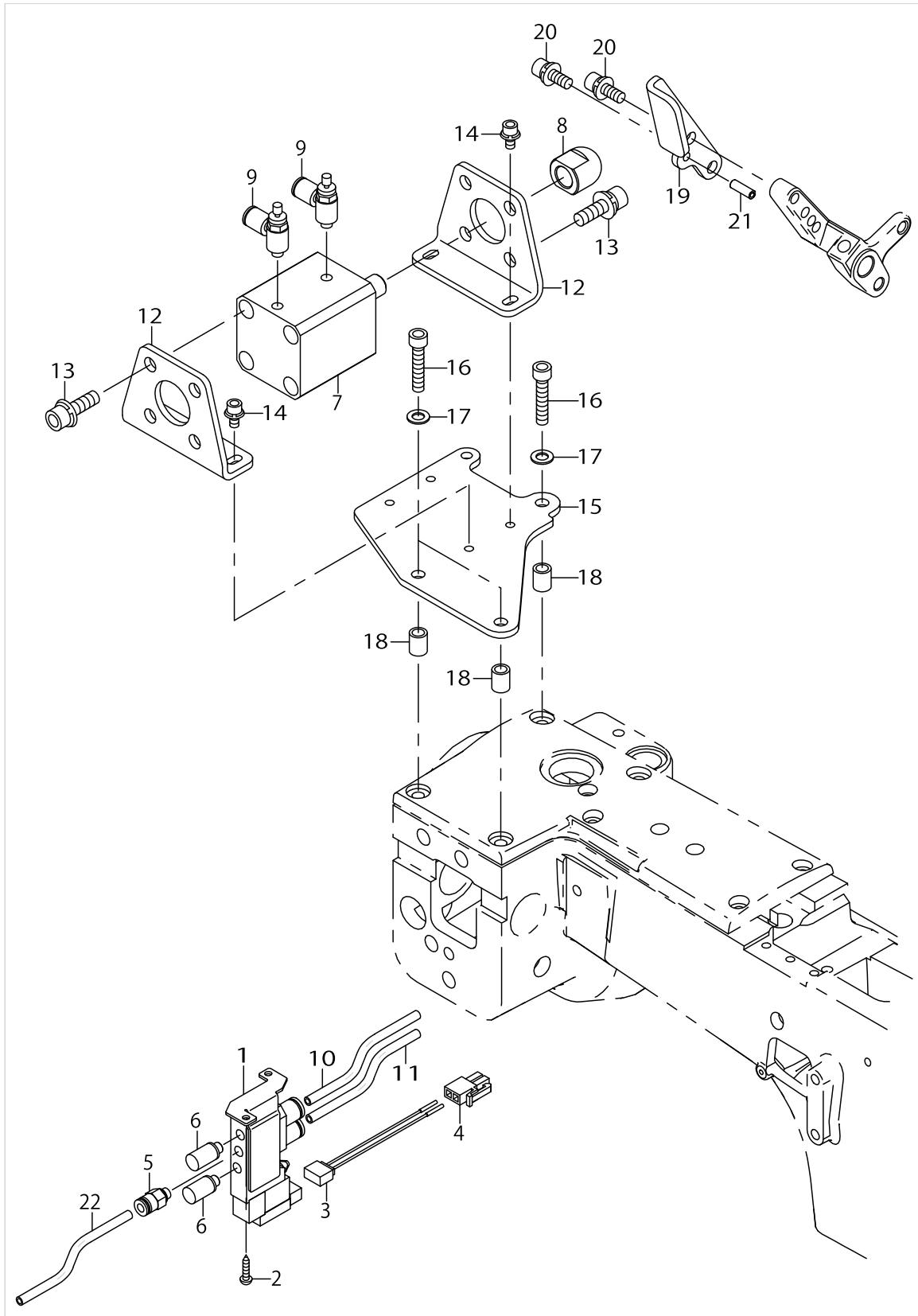
ACCESSORIE PARTS COMPONENTS



ACCESSORIE PARTS COMPONENTS

No.	Parts No.	Parts name	Remarks	Level	Cons	Qty
48	CM600100201	WEEE INFORMATION SHEET				1
49	40074516	FRESSER_FOOT_SHOE_AA_RIGHT	FOR L200,L201,L211		☆	1
50	40074517	FRESSER_FOOT_SHOE_AA_LEFT	FOR L200,L201,L211		☆	1
51	40074444	CONTROL_BOX_BRACKET	FOR DD			3
52	40084716	RUBBER MOUNTING	FOR DD			3
53	11228103	REVERSE FEED BASE COLLAR				3
54	40074486	EDGE GUIDE	FOR L100			1
55	SM6041050TP	SCREW	FOR L100			1
56	J106600000A	HEXAGONAL ROD SPANNER 1.5MM				1
57	40074844	PRESSER_FOOT_SHOE_KK_RIGHT	FOR L200,L201			1
58	40074845	PRESSER_FOOT_SHOE_KK_LEFT	FOR L200,L201			1
59	HX00150000J	CLIP				1
60	40074590	FRESSER_FOOT_SHOE_FF_RIGHT	FOR L211			1
61	40074929	PRESSER_FOOT_SHOE_GG_RIGHT	FOR L210			1
62	40074613	FRESSER_FOOT_SHOE_DD_LEFT	FOR L210			1
63	40098445	BELT_COVER_ASSY				1
64	40098448	BELT_COVER_C				1
65	WP0450801SP	WASHER				1
66	40098434	IDOLER_ASSY				1
67	SM4040855SP	SCREW				7

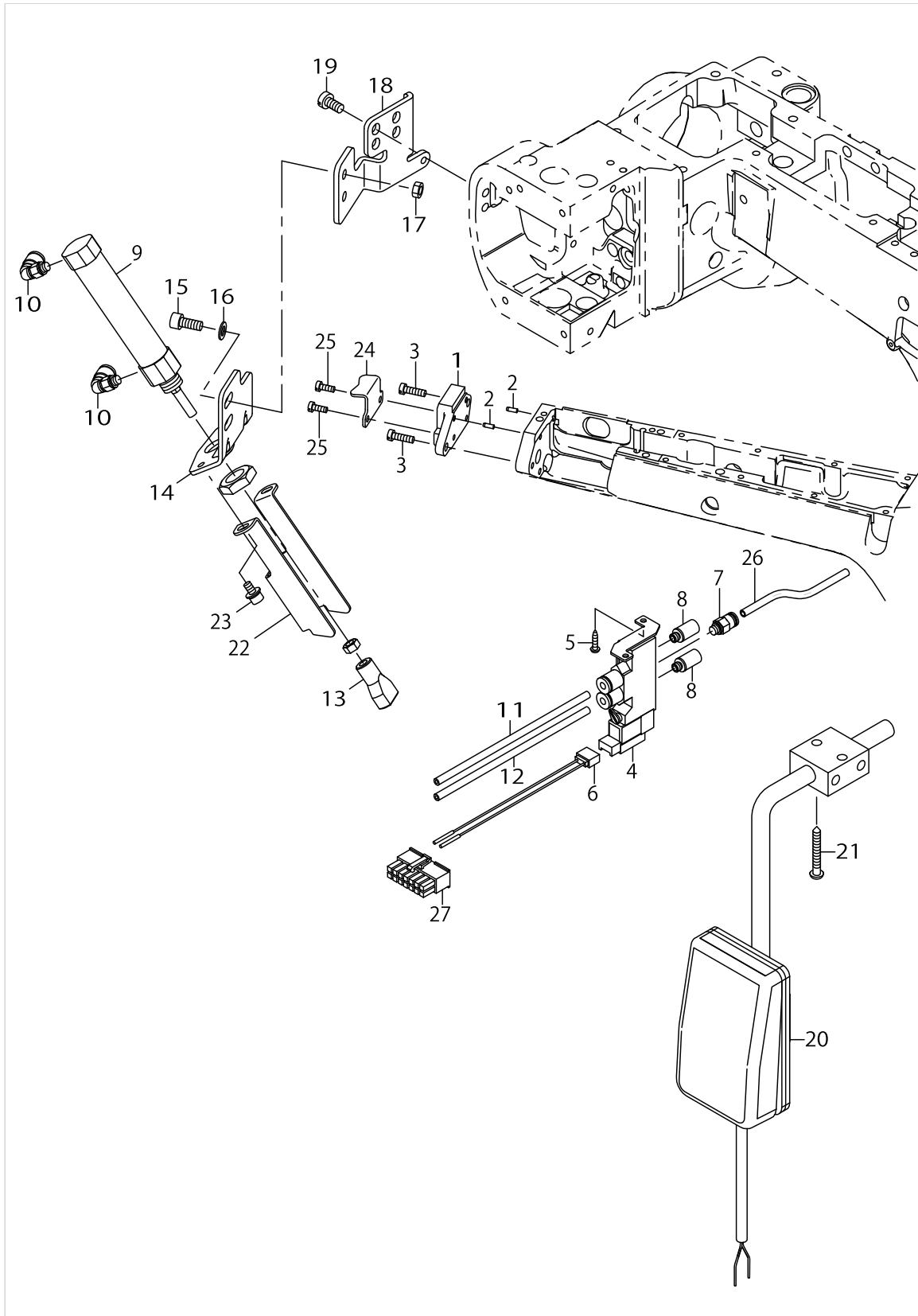
PRESSER LIFTER SET (OPTION)



PRESSER LIFTER SET (OPTION)

No.	Parts No.	Parts name	Remarks	Level	Cons	Qty
1	PV1502060A0	5 PORT SOLENOID VALVE				1
2	SK3271301SE	WOOD SCREW D=2.7 L=13				2
3	40032964	AIR VALVE CABLE ASM				1
4	HK034610020	CONNECTOR				1
5	PJ301040502	HALF UNION 4XM5				1
6	PX050501000	SILENCER				2
7	PA2502507A0	AIR CYLINDER				1
8	13455100	AIR_CYLINDER_CAP				1
9	PC010508000	SPEED CONTROLLER				2
10	BT0400251EB	URETHANE TUBE BLACK 4X2.5				1
11	BT0400251EB	URETHANE TUBE BLACK 4X2.5				1
12	40074430	CYLINDER_BRACKET_A				2
13	SL6062092TN	SCREW M6 L=20				8
14	SL6040892TN	SCREW M4 L=8				4
15	40074431	CYLINDER_BRACKET_B				1
16	SM6052502TP	SCREW M5X0.8 L=25				3
17	WP0550800SP	WASHER 5.5X10X0.8				3
18	D5119206K0K	SPACER				3
19	40074402	CYLINDER_PLATE				1
20	SL6051492TN	SCREW M5 L=14				2
21	PS0400122KP	SPRING PIN				1
22	BT0400251EB	URETHANE TUBE BLACK 4X2.5				0.5

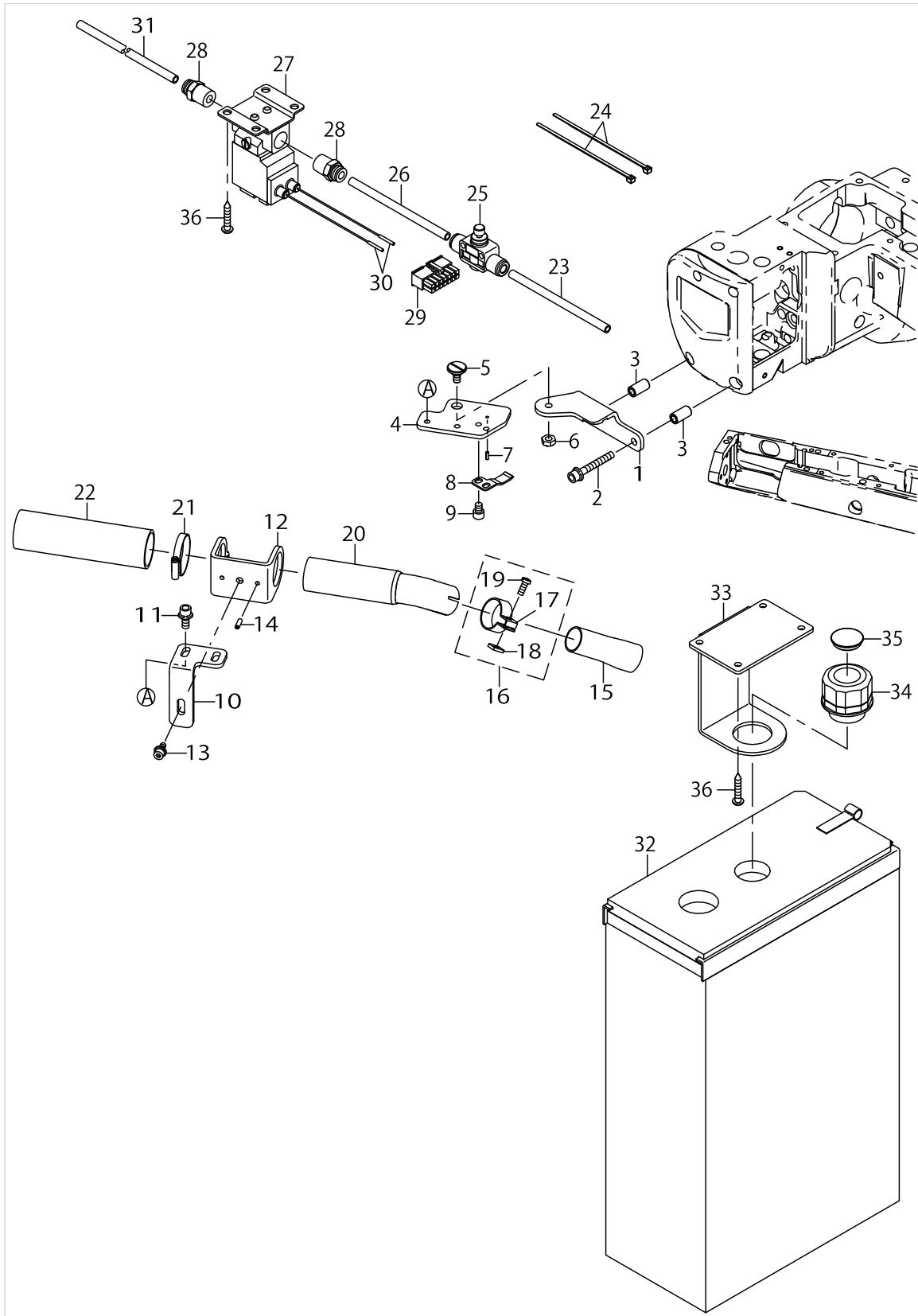
CHAIN OFF THREAD TRIMMER SET (OPTION)



CHAIN OFF THREAD TRIMMER SET (OPTION)

No.	Parts No.	Parts name	Remarks	Level	Cons	Qty
1	40074265	CHAIN_OFF_THREAD_TRIM_BASE				1
2	B1826232000	POSITIONING PIN				2
3	SM6751260TP	SCREW M3.5 L=12				2
4	PV1502060A0	5 PORT SOLENOID VALVE				1
5	SK3271301SE	WOOD SCREW D=2.7 L=13				2
6	40032964	AIR VALVE CABLE ASM				1
7	PJ301040502	HALF UNION 4XM5				1
8	PX050501000	SILENCER				2
9	PA1604508A0	ROD ROLLING STOPPER CYLINDER				1
10	PJ304040504	UNION				2
11	BT0400251EB	URETHANE TUBE BLACK 4X2.5				1
12	BT0400251EB	URETHANE TUBE BLACK 4X2.5				1
13	40074272	CHAIN_OFF_TRIM_HEAD				1
14	40074273	AIR_CYLINDER_STUD_A				1
15	SM6051202TP	SCREW M5X0.8 L=12				2
16	WP0550800SP	WASHER 5.5X10X0.8				2
17	NM6050001SP	NUT M5X0.8 TYPE1				2
18	40074274	AIR_CYLINDER_STUD_B				1
19	SM6051000SP	SCREW				4
20	40004065	KNEE SWITCH ASM.				1
21	SK3413201SE	WOOD SCREW D=4.1 L=32				2
22	40074278	CHAIN_OFF_TRIM_COVER				1
23	SL6040892TN	SCREW M4 L=8				2
24	40074769	CHAIN_OFF_THREAD_GUIDE				1
25	SM6030800SP	SCREW M3X0.5 L=8				2
26	BT0400251EB	URETHANE TUBE BLACK 4X2.5				0.5
27	HK034610140	CONNECTOR				1

CLOTH CHIP SUCTION SET (OPTION)



CLOTH CHIP SUCTION SET (OPTION)

No.	Parts No.	Parts name	Remarks	Level	Cons	Qty
1	40074296	SUCTION_PIPE_BRACKET_A				1
2	SL6043092TN	SCREW M4 L=30				2
3	GAT27010000	COLLAR				2
4	40074297	SUCTION_PIPE_BRACKET_B				1
5	SD0800327TP	SHOULDER SCREW D=8 H=3.2				1
6	NM6050001SP	NUT M5X0.8 TYPE1				1
7	PS0200062KP	SPRING PIN				1
8	40074298	SPRING_PLATE				1
9	SM6040552TP	SCREW M4 L=4.5				2
10	40074403	SUCTION_PIPE_BRACKET_C				1
11	SL6041092TN	SCREW M4 L=10				2
12	40074404	SUCTION_PIPE_BRACKET_D				1
13	SL6041092TN	SCREW M4 L=10				1
14	SM8031002TP	SCREW				2
15	40074409	SUCTION_PIPE_1_ASSY				1
16	40043839	SUCTION_PIPE_JOINT_ASSY				1
17	40043800	SUCTION_PIPE_JOINT		*		1
18	40043815	SUCTION_PIPE_NUT		*		1
19	SM4041055SP	SCREW		*		1
20	40074410	SUCTION_PIPE_2_ASSY				1
21	E1353172000	HOSE BAND				1
22	40059579	HOSE				1
23	BT0600401EB	URETHANE TUBE BLACK 6X4				0.2
24	EA9500B0100	CABLE BAND				2
25	PC012601000	SPEED CONTROLLER				1
26	BT0600401EB	URETHANE TUBE BLACK 6X4				1
27	40049213	SOLENOID VALVE				1
28	PJ301065201	HALF UNION 6XPT1/4				2
29	HK034610140	CONNECTOR				1
30	HK03464000B	TERMINAL				2
31	BT0600401EB	URETHANE TUBE BLACK 6X4				1
32	40074302	FILTER_ASM				1
33	F1003003000	FILTER BRACKET				1
34	F1004003000	PIPE GRIP				1
35	TA2050406R0	RUBBER PLUG				1
36	SK3452500SC	WOOD SCREW D=4.5 L=25				8

LIST FOR INFORMATION OF CHANGE (1)

As to the place changed, refer to the corresponding Rev.No.
 When previous parts(Obsoleted part)and new parts(Added parts)are
 not interchangeable with each other:
 In this case, even obsoleted parts(D.)can be ordered with the
 obsoleted part number, so select the parts with changed dates and
 place your orders.

変更箇所は、該当Rev.No.版をご参照ください。
 部品の互換性がない変更の場合は、削除された品番でも、ご注文できます。

40074477
 No.1555-01 Rev.No.

*A:Added parts追加部品/D:Obsoleted parts削除部品/E:Erratum訂正

* Rev. No.	Page 頁	Ref. No.	Parts No. 品番	* Rev. No.	Page 頁	Ref. No.	Parts No. 品番
D 00	2	7	SM-4040455-SP	A 01	2	7	SM-6040450-TP
D 00	2	8	SM-4040455-SP				
				A 01	2	8	400-74437
D 00	2	35	400-66883	A 01	2	35	401-12855
D 00	2	52	400-74440	A 01	2	52	400-74535
D 00	2	59	400-66897	A 01	2	59	401-12856
D 00	4	22	400-66968	A 01	4	22	401-12857
D 00	4	32	SM-1030400-SP	A 01	4	32	SM-1030501-SC
D 00	6	3	400-68467	A 01	6	3	400-74689
				A 01	8	2	400-74596
				A 01	10	44	400-74464
D 00	12	14	400-74493	A 01	12	14	400-74588
D 00	12	25	400-74497	A 01	12	25	400-74479
D 00	12	27	400-74502				
				A 01	12	27	400-74584
D 00	12	45	SM-6030350-SD	A 01	12	45	SM-6030350-TP
D 00	12	47	SM-6050800-SP	A 01	12	47	SM-8050812-TP
				A 01	12	62	400-74583
D 00	14	34	400-74415				
D 00	14	35	SQ-2050453-MZ				
D 00	14	36	WP-0500916-SD				
D 00	14	37	236-29306				
				A 01	16	16	WP-1302501-SC
D 00	18	31	169-60205	A 01	18	31	400-93290
D 00	18	42	183-47500	A 01	18	42	401-09081
				A 01	18	75	CQ-2000000-00
D 00	20	49	400-74347	A 01	20	49	400-74049
				A 01	22	36	400-82824
				A 01	22	37	236-29504
				A 01	22	38	CQ-2500000-F0
				A 01	22	39	SQ-2050452-MZ
				A 01	22	40	236-30007
				A 01	22	41	236-30007
				A 01	22	42	EA-9500B01-00
D 00	24	1	400-72506	A 01	24	1	401-06586
D 00	26	24	400-74518	A 01	26	24	400-74962

HOW TO MAKE USE OF THIS PARTS LIST

1.Explanation of codes

1)"*"mark.....means this part is changed from the previous parts book.

As to the details of the change, refer to the "List for information of change".

2)"#01".....refer to "Note" explanation at bottom of page.

2.Codes on the "Qty" column

- Each numeral indicates the number of parts required.
- "0.1" and "2.5" indicate the length (in meters) of the respective parts.

3.Parentheses mean that the corresponding part is a subpart that constructs an assembly part.

4.Dotted lines on the Figures indicate assembly parts.

5.As to the parts with marks of "☆"(consumable parts) and "◎"(optional parts)on the respective parts, it is recommended to prepare spares.

1 ."注記"欄の記号説明

1) "*"印.....前回のパーツブックに比較して今回変更された部品を意味します。

変更内容は、"変更情報リスト"を参照してください。

2) "#01".....ページ下の"注記"の説明を参照してください。

2.数量欄の数字は、個数を表し、0.1、2.5等の数値は、長さ（単位メートル）を表します。

3.数量欄の（ ）は、組部品を構成している子部品であることを意味します。

4.イラストページの-----枠は、組構成であることを意味します。

5.リストページの"☆"（消耗部品）、"◎"（オプション部品）の印がついた部品は、予備を準備しておくことをお奨めします。

NUMERICAL INDEX OF PARTS

PART NO	PAGE	REF NO.	PART NO	PAGE	REF NO.	PART NO	PAGE	REF NO.
11228103	42	35·53	40043839	48	16	40068424	22	14
11856101	10	48	40048536	40	18	40068425	22	13
11856101	12	48	40049213	48	27	40068426	22	23
12288403	40	5	40053286	20	61	40068427	22	21
12347308	40	2	40055591	40	10~15	40068434	14	16
13138201	32	18	40059579	48	22	40068470	10	21
13138508	32	19	40066856	4	48	40068575	16	18
13138805	32	20	40066869	2	45	40068588	40	33
13140504	32	21	40066871	2	44	40068589	40	34
13140504	36	31	40066873	2	46	40068601	22	15
13160304	40	6	40066892	4	62	40068663	10	11
13170105	4	65	40066892	6	21	40068664	10	12
13170105	6	39	40066895	4	61	40069918	10	50
13171004	4	66	40066898	4	56	40069918	12	50
13171004	6	38	40066902	6	6	40069918	14	37
13301908	24	50	40066909	6	44	40070075	2	63
13302500	24	51	40066918	6	20	40070075	4	63
13377304	30	53	40066919	6	24	40070191	10	1
13412705	28	72	40066928	6	29	40070353	22	16
13412705	30	72	40066929	6	30	40074049	34	49
13455100	44	8	40067003	6	28	40074159	24	52
16556508	28	34	40067008	12	68	40074169	22	34
22901805	2	29	40067009	12	69	40074182	24	53
22902506	2	14	40067014	6	45	40074183	22	46
22924302	2	42	40067056	6	35	40074220	4	64
22924708	2	11	40067058	6	34	40074222	4	82
22932800	40	1	40067059	6	33	40074223	4	84
22933006	40	4	40067116	36	9	40074224	4	57
22933105	40	3	40067120	36	17	40074225	4	58
22962609	40	35·53	40067123	36	19	40074226	8	56
23618606	26	4	40067133	28	11	40074227	8	57
23629504	36	37	40067149	10	49	40074228	8	58
23630007	36	41	40067149	12	49	40074229	6	1
23630106	36	20	40067155	10	63	40074231	6	7
26037903	40	7	40067155	12	63	40074232	40	36
40004065	46	20	40067166	10	43	40074233	40	37
40008423	14	38	40067167	10	42	40074234	6	13
40013640	40	47	40067172	10	22	40074235	6	14
40032964	44	3	40067173	10	23	40074236	6	15
40032964	46	6	40067221	16	19	40074237	6	17
40042363	32	22	40067225	16	17	40074238	6	18
40042364	32	23	40067238	40	31	40074239	6	25
40042365	32	24	40067239	40	32	40074240	6	26
40043800	48	17	40067311	40	10~15	40074242	6	42
40043815	48	18	40068392	12	70	40074243	6	43

NUMERICAL INDEX OF PARTS

PART NO	PAGE	REF NO.	PART NO	PAGE	REF NO.	PART NO	PAGE	REF NO.
40074244	6	19	40074332	16	43	40074450	16	33
40074246	6	11	40074332	32	27	40074451	16	34
40074247	6	31	40074333	32	28	40074452	28	27
40074248	6	47	40074334	32	29	40074453	30	52
40074249	28	7	40074336	32	32	40074454	28	30
40074250	28	8	40074337	32	33	40074455	28	33
40074251	28	13	40074338	32	34	40074456	16	41
40074252	28	16	40074339	32	35	40074457	28	37
40074253	28	21	40074340	32	39	40074458	28	38
40074254	28	22	40074341	32	41	40074460	28	47·69
40074255	28	24	40074344	32	46	40074461	30	49
40074256	28	25·68	40074345	32	47	40074464	16	44
40074258	30	25·68	40074349	36	1	40074464	30	54
40074259	6	46	40074350	36	3	40074465	30	55
40074262	6	41	40074351	36	4	40074466	30	57
40074263	6	10	40074358	36	5	40074467	30	58
40074264	6	23	40074364	36	10	40074468	30	59
40074265	46	1	40074365	36	11	40074469	30	60
40074272	46	13	40074367	36	21	40074470	30	63
40074273	46	14	40074368	36	24	40074471	30	50
40074274	46	18	40074370	36	25	40074473	30	47·69
40074277	6	37	40074373	32	30	40074479	18	25
40074278	46	22	40074375	4	73	40074480	8	59
40074296	48	1	40074376	4	74	40074481	8	53
40074297	48	4	40074377	4	75	40074482	8	54
40074298	48	8	40074379	4	78	40074483	8	55
40074300	36	2	40074382	34	50	40074484	6	2
40074302	48	32	40074390	36	18	40074485	8	51
40074306	2	15	40074393	32	42	40074486	42	54
40074310	2	17	40074395	36	16	40074487	20	55·62
40074311	2	19	40074396	36	15	40074488	20	56
40074312	2	20	40074402	44	19	40074489	20	57
40074313	2	21	40074403	48	10	40074490	28	10
40074314	2	22	40074404	48	12	40074491	30	67·70
40074315	32	1	40074409	48	15	40074494	20	58~60
40074316	32	8	40074410	48	20	40074495	20	58~60
40074317	32	11	40074411	32	17	40074496	20	58~60
40074318	32	12	40074430	44	12	40074498	18	26
40074319	32	13	40074431	44	15	40074499	20	50~52
40074322	32	14	40074432	32	3	40074500	18	20~24
40074326	36	29	40074433	4	51	40074501	18	20~24
40074328	32	6	40074437	2	8	40074503	18	27·30
40074329	32	7	40074438	36	8	40074504	18	31
40074330	32	25	40074443	2	38	40074505	18	32·33
40074331	32	26	40074444	42	51	40074506	18	34

NUMERICAL INDEX OF PARTS

PART NO	PAGE	REF NO.	PART NO	PAGE	REF NO.	PART NO	PAGE	REF NO.
40074507	18	35	40074568	16	31	40074634	10	47
40074508	18	36	40074569	16	40	40074635	12	51
40074509	18	37	40074570	16	39	40074637	12	52
40074510	18	38	40074571	40	21	40074638	12	53
40074511	18	39·40	40074572	20	54	40074641	12	55
40074512	18	41	40074573	20	50~52	40074642	12	56
40074513	18	42	40074574	30	73·74	40074643	12	57
40074514	18	32·33	40074575	12	79·81	40074645	12	62
40074515	20	50~52	40074576	12	80·82	40074646	12	64
40074516	42	24·49·61	40074580	18	20~24	40074648	12	67
40074517	42	25·50·62	40074581	18	20~24	40074649	12	71
40074520	18	15~19	40074582	18	20~24	40074653	12	72
40074521	18	11~14	40074583	20	55·62	40074654	12	73
40074527	18	39·40	40074584	18	27·30	40074655	12	74
40074528	30	67·70	40074586	18	28	40074656	14	1
40074529	18	1~10	40074588	18	11~14	40074658	10	2
40074530	18	1~10	40074589	18	15~19	40074659	10	58
40074531	18	1~10	40074590	42	60	40074659	12	58
40074532	18	1~10	40074596	14	2	40074660	14	6
40074533	18	1~10	40074597	30	73·74	40074661	14	10
40074535	4	52	40074598	12	79·81	40074662	10	5
40074538	18	1~10	40074599	12	80·82	40074663	14	11
40074539	18	1~10	40074600	14	3	40074664	14	13
40074545	18	1~10	40074601	10	6	40074665	14	14
40074546	18	1~10	40074602	10	9	40074666	14	15
40074547	18	1~10	40074603	10	15	40074667	14	17
40074549	2	34	40074608	10	17	40074668	14	21
40074550	16	1	40074609	10	19	40074671	14	22
40074551	16	3	40074610	18	15~19	40074672	14	23
40074552	16	6	40074611	18	11~14	40074677	14	28
40074553	16	8	40074613	42	25·50·62	40074678	14	31
40074554	16	9	40074614	18	15~19	40074679	14	33
40074555	16	10	40074615	10	10	40074680	14	34
40074556	16	13	40074616	10	13	40074681	14	35
40074557	4	50	40074617	10	25	40074684	14	39
40074558	40	26	40074618	10	27	40074689	10	3
40074559	16	16	40074619	10	31	40074705	18	15~19
40074560	16	22	40074622	10	32	40074706	18	11~14
40074561	16	23	40074623	10	33	40074723	2	26
40074562	16	24	40074627	10	34	40074724	2	28
40074563	16	25	40074627	14	19	40074727	36	30
40074564	16	26	40074629	10	39	40074728	2	30
40074565	16	27	40074630	10	40	40074729	2	32
40074566	16	28	40074632	10	44	40074732	4	54
40074567	16	30	40074633	10	46	40074733	4	53

NUMERICAL INDEX OF PARTS

PART NO	PAGE	REF NO.	PART NO	PAGE	REF NO.	PART NO	PAGE	REF NO.
40074734	4	67	40084716	42	52	B9113012000	40	8·9
40074735	4	80	40085784	38	8	B91210120A0	40	16
40074736	2	3	40085785	38	11	B9143372000	40	8·9
40074737	2	9	40085788	38	15	BT0400251EB	44	22
40074738	2	10	40085789	38	14	BT0400251EB	46	26
40074739	22	18	40085790	38	16	BT0600401EB	48	31
40074740	22	1	40085791	38	17	CM300200001	2	39
40074742	22	4	40085792	38	13	CM300200001	6	9
40074746	22	9	40085793	38	12	CM301200001	2	33
40074750	22	11	40085794	38	4	CM500300001	2	37
40074751	22	12	40085795	38	3	CM600100101	2	31
40074754	22	25	40085796	38	10	CM600100201	42	48
40074755	22	27	40093290	28	31	CQ200000000	10	20
40074756	22	31	40096325	38	9	CQ200000000	30	75
40074759	28	5	40096326	38	7	CQ200000000	36	32
40074761	28	18	40096327	38	5	CQ200000001	36	33
40074762	28	19	40098428	22	44	CQ2500000F0	36	38
40074765	4	70	40098432	22	37	CQ252000000	14	42
40074766	4	68	40098433	22	36	CQ303000000	30	71
40074767	4	69	40098434	42	66	CS0800881TP	14	25
40074768	4	77	40098439	26	12	D5119206K0K	44	18
40074769	46	24	40098440	26	1	E1353172000	48	21
40074772	28	23	40098442	26	8	E3762725000	32	37
40074773	28	39	40098445	42	63	EA9500B0100	22	35
40074774	28	40	40098448	42	64	EA9500B0100	36	42
40074775	22	6	40106574	38	6	EA9500B0100	48	24
40074777	4	60	40106575	38	2	F1003003000	48	33
40074844	42	57	40106576	38	29	F1004003000	48	34
40074845	42	58	40106577	38	18	G5313172000	28	3
40074867	22	33	40106578	38	19	GAT27010000	48	3
40074869	24	48	40106579	38	30	HK034610020	44	4
40074895	26	6	40106580	38	28	HK034610140	46	27
40074929	42	24·49·61	40106583	38	27	HK034610140	48	29
40074962	40	24·49·61	40106586	38	1	HK03464000B	48	30
40074963	40	25·50·62	40109081	28	42	HX00150000J	42	59
40075304	22	39~42	40112855	2	35	J106600000A	42	56
40075305	22	39~42	40112856	4	59	J106600000C	40	10~15
40075306	22	39~42	40112857	6	22	J106600000F	40	10~15
40075307	22	39~42	A123050000A	26	15	J106600000G	40	10~15
40076293	10	59	B1212210D00	26	14	MDFRX2001L09	40	17
40076293	12	59	B1826232000	46	2	MFL118B1000	28	1
40079298	40	10~15	B1908505000	32	36	MFL118B1005	40	22·23
40082824	36	36	B210348100A	22	28~30	MFLG80B0800	28	2
40083674	40	40	B210348100B	22	28~30	MFLG80B0802	40	22·23
40083683	40	43	B210348100C	22	28~30	NM6040001SP	4	83

NUMERICAL INDEX OF PARTS

PART NO	PAGE	REF NO.	PART NO	PAGE	REF NO.	PART NO	PAGE	REF NO.
NM6040002SC	38	33	SD0650326TP	10	41	SM4042501SC	38	32
NM6040003SC	28	45	SD0700586TP	16	7	SM4051001SE	38	21
NM6050001SE	38	23	SD0701206TP	4	72	SM4051055SP	2	1
NM6050001SP	10	54	SD0800327TP	32	4	SM4051255SP	4	49
NM6050001SP	12	54	SD0800327TP	48	5	SM4051405SE	38	20
NM6050001SP	14	27	SD0950646TP	12	65	SM5040855SN	16	4
NM6050001SP	46	17	SK3271301SE	44	2	SM6020250TP	18	44
NM6050001SP	48	6	SK3271301SE	46	5	SM6020460TP	2	18
NM6050002SC	28	36	SK3412001SE	38	22	SM6020460TP	32	9
NM6050003SC	28	32	SK3412001SE	40	45	SM6020600TP	32	43
NM6060003SC	28	46	SK3413201SE	46	21	SM6030350SN	6	3
NM6060003SP	12	60	SK3452500SC	48	36	SM6030350TP	14	43
NM6060003SP	14	29	SL6040892TN	44	14	SM6030350TP	18	45
NM6060003SP	16	11	SL6040892TN	46	23	SM6030500SN	32	45
PA1604508A0	46	9	SL6041092TN	48	13	SM6030502TP	10	16
PA2502507A0	44	7	SL6043092TN	48	2	SM6030650TP	6	8
PC010508000	44	9	SL6051492TN	44	20	SM6030800SP	28	9
PC012601000	48	25	SL6052592TN	22	5	SM6030800SP	32	10
PJ301040502	44	5	SL6062092TN	44	13	SM6030800SP	40	38
PJ301040502	46	7	SL6062592TN	4	79	SM6030800SP	46	25
PJ301065201	48	28	SL6063092TN	2	40	SM6030802TP	30	62
PJ304040504	46	10	SM1020450TH	28	4	SM6030850TP	22	24
PS0150042K0	14	4	SM1020450TP	18	43	SM6031002TP	30	48
PS0160162KH	22	2	SM1030501SC	6	32	SM6040450TP	2	7
PS0200062KP	48	7	SM1040750TP	4	55	SM6040552TP	48	9
PS0400122KP	44	21	SM1040750TP	6	40	SM6040600SP	2	41
PS0400142KH	26	13	SM1040750TP	12	66	SM6040602TN	26	7
PS0400202KP	16	38	SM1040800SP	4	71	SM6040650TP	2	27
PV1502060A0	44	1	SM1040950TP	12	76	SM6040650TP	32	31
PV1502060A0	46	4	SM2750750TP	22	26	SM6040660TP	28	14
PX050501000	44	6	SM4030455SN	2	36	SM6040800SP	8	48
PX050501000	46	8	SM4030455SN	8	60	SM6040800SP	18	46
RE0500000K0	14	32	SM4040501SN	6	16	SM6040800SP	30	51
RE1000000K0	28	41	SM4040501SN	36	27	SM6040802TP	30	56
RO029180100	40	28	SM4040655SP	6	27	SM6040860TP	14	5
RO061180100	10	75	SM4040655SP	36	14	SM6040870SP	36	6
RO061180100	12	75	SM4040800SP	10	18	SM6040950TP	10	35
RO098190100	36	7	SM4040855SP	4	81	SM6040950TP	14	20
RO137230100	2	47	SM4040855SP	42	67	SM6041000SP	16	42
RO148240200	2	12	SM4041050TP	10	14	SM6041000SP	28	15
SB117000400	26	3	SM4041055SP	2	76	SM6041002TP	14	9
SB120002200	22	20	SM4041055SP	4	76	SM6041050TP	42	55
SD0600326TP	26	11	SM4041055SP	22	43	SM6041200SP	28	6
SD0601036TP	28	44	SM4041055SP	48	19	SM6041202TP	16	35
SD0640246SP	4	86	SM4041201SC	38	31	SM6050610SC	2	24

NUMERICAL INDEX OF PARTS

PART NO	PAGE	REF NO.	PART NO	PAGE	REF NO.
SM6050610SC	32	2	SM8050812TP	22	22
SM6050650TP	40	27	SM8060612TP	22	19
SM6050800SP	34	48	SM80606A2TP	26	2
SM6051000SP	2	23	SM8060812TP	16	14
SM6051000SP	46	19	SM80608A2TP	22	47
SM6051002TP	16	15	SM8480452TP	30	61
SM6051002TP	40	39	SM8850302TP	14	7
SM6051202TP	6	36	SM8850302TP	20	49
SM6051202TP	14	12	SM8850302TP	30	64
SM6051202TP	46	15	SM8850350TP	28	26
SM6051250TP	22	38	SM9050850SP	16	12
SM6051260SP	32	16	SM9051400SN	16	32
SM6051450TP	2	2	SQ2050452MZ	36	39
SM6051450TP	22	32	SS1151310TP	40	42
SM6052502TP	44	16	SS8660612TP	26	5
SM6055002TP	24	49	TA1470704R0	40	46
SM6061402TP	40	30	TA2050406R0	48	35
SM6063502TP	40	41	WP0360516SD	8	52
SM6083852TP	6	5	WP0410846SC	6	4
SM6103502TP	40	20	WP0430800SC	8	49
SM67506A0TP	10	45	WP0430800SC	16	36
SM67506A0TP	14	30	WP0430800SC	36	26
SM67506A0TP	28	12	WP0450801SD	16	5
SM6751260TP	46	3	WP0450801SP	42	65
SM6850350TP	20	48	WP0450826SC	40	44
SM7030450SC	16	21	WP0531001SC	38	24
SM8020202UZ	36	13	WP0550800SP	44	17
SM8030350TP	32	44	WP0550800SP	46	16
SM8030450SP	16	29	WP0621016SD	26	10
SM8030612TP	18	29	WP0621026SP	28	43
SM8030612TP	22	3	WP0621036SP	40	29
SM8030612TP	28	17	WP0621046SP	14	36
SM8031002TP	48	14	WP0651056SH	12	61
SM8040412TP	2	25	WP0951016SP	12	77
SM8040612TP	14	40	WP1051416SD	40	19
SM8040612TP	16	37	WP1302501SC	26	16
SM8050412TP	8	50	WP1612616SE	38	25
SM8050412TP	14	26	WS0510002KN	38	26
SM8050412TP	22	10	WZ0641510KP	4	85
SM8050412TP	30	66	WZ0641510KP	26	9
SM8050512TP	28	20	WZ0850302K0	32	5
SM80506A2TP	12	78			
SM8050812TP	10	24			
SM8050812TP	14	41			
SM8050812TP	18	47			