

MODEL : SC-921

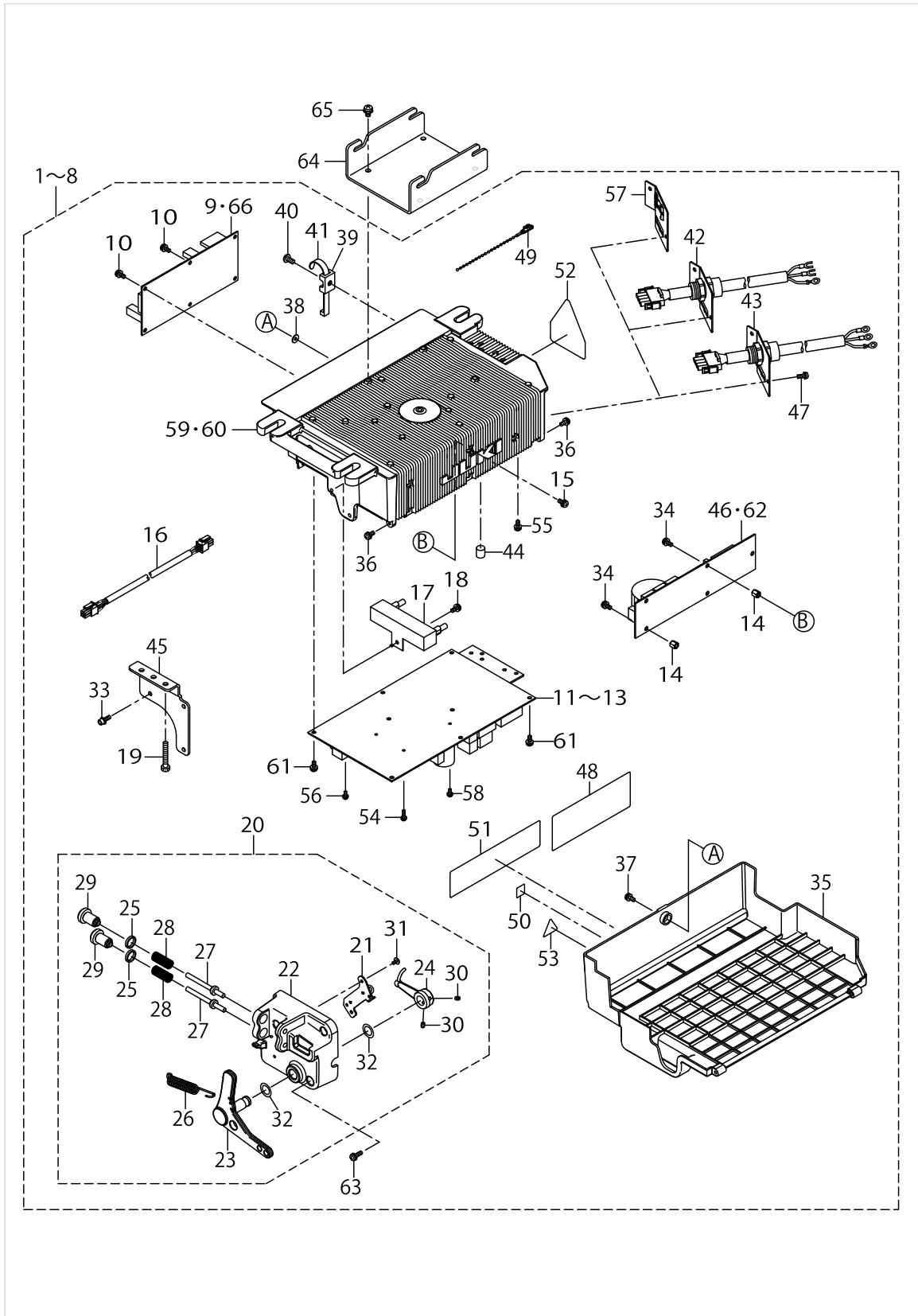
List No : 1549-05

PARTS LIST

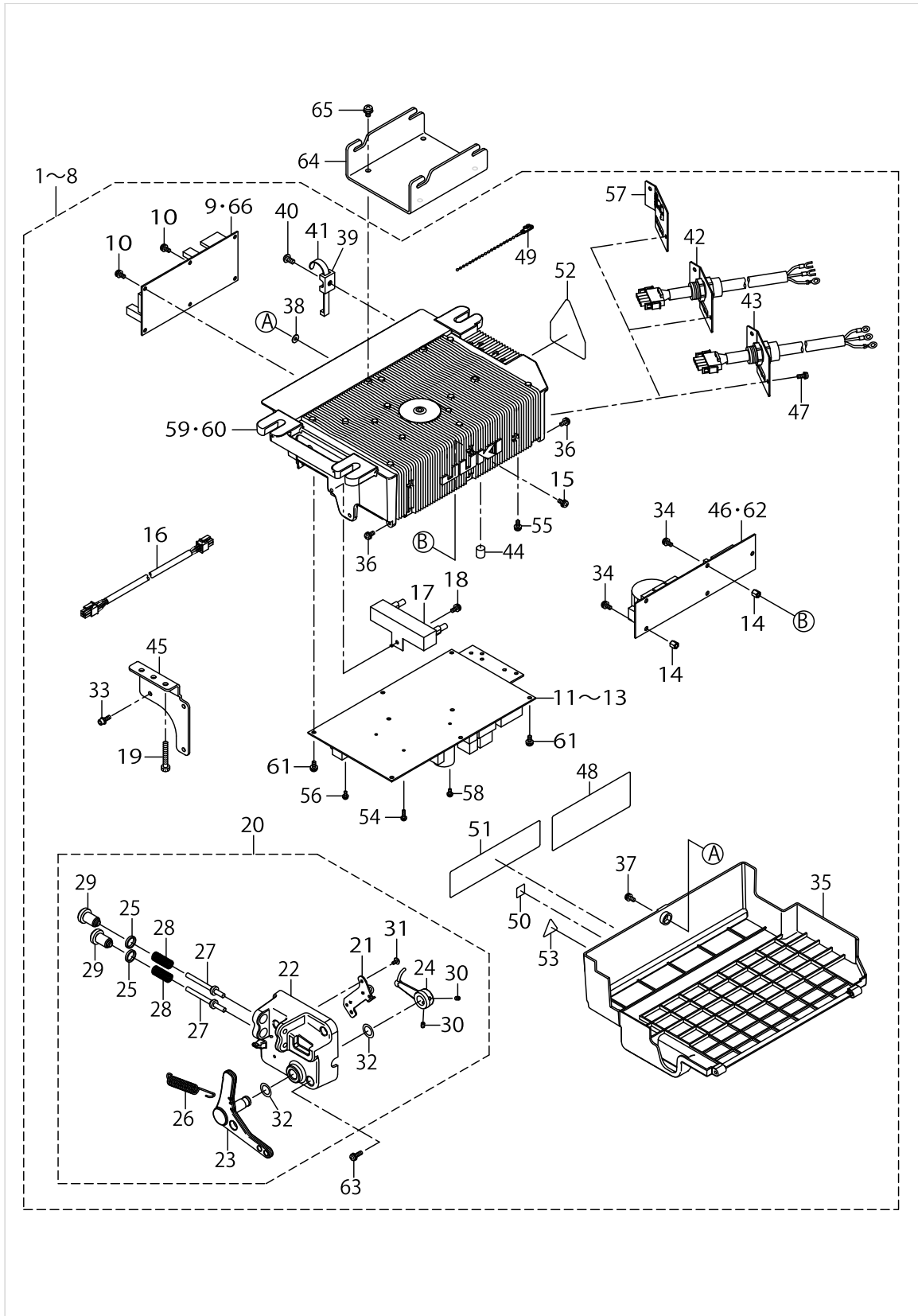
Published:11/30/2017

CONTENTS

SC-921	1
SC-921(Accessorie Parts)	5
CP-18	7
REACTOR BOX 2P (FOR CE).....	9
HOW TO MAKE USE OF THIS PARTS LIST	11



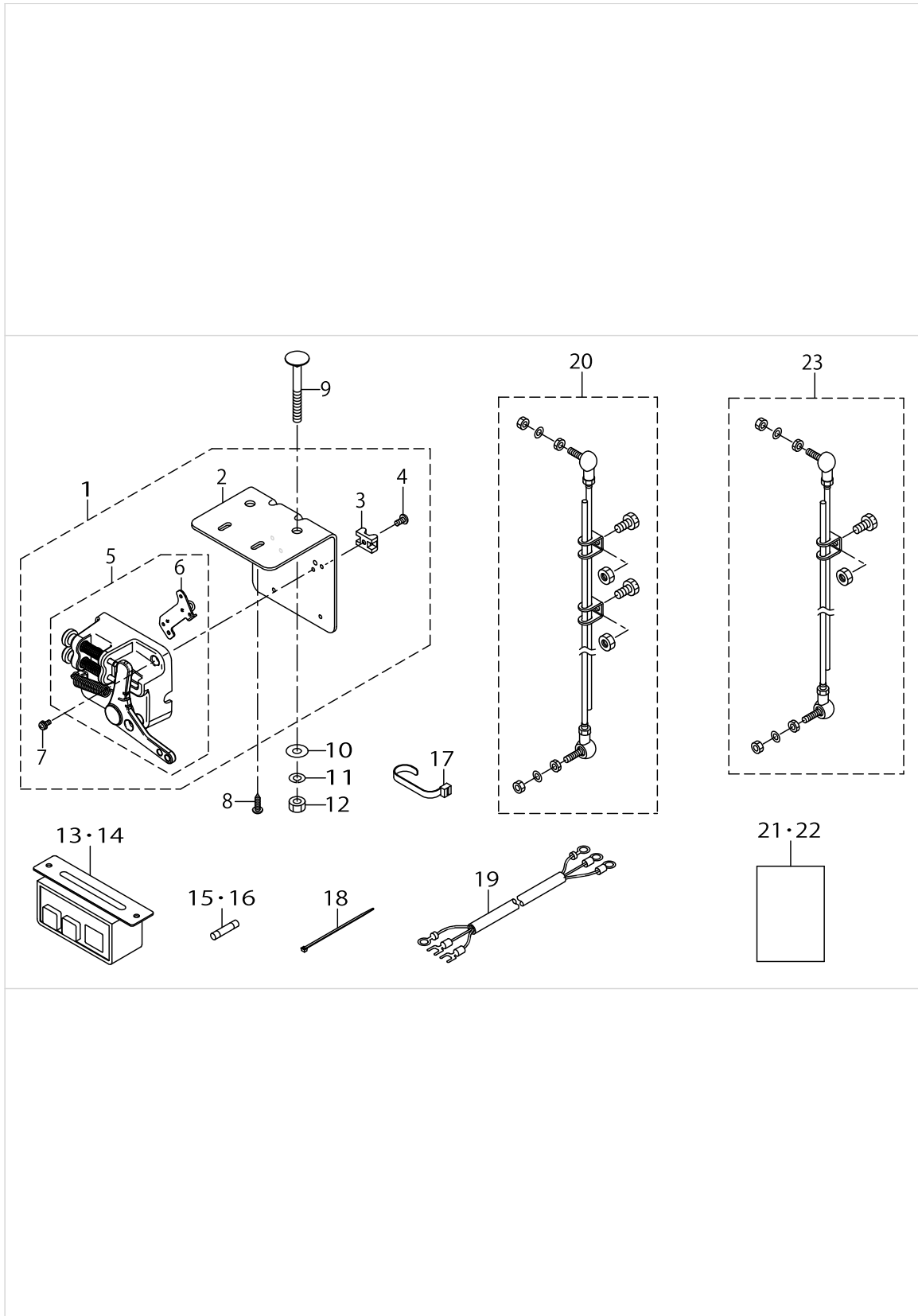
No.	Parts No.	Parts name	Remarks	Level	Cons	Qty
1	40095152	PSC UNIT 921 1P 100-120VPDL-SP LA	FOR 1-PHASE 100~120V LA PFL, SPECIFICATIONS WITH PEDAL			1
2	40095153	PSC UNIT 921 1P 220-240VPDL-SP CE	FOR 1-PHASE 220~240V CE PFL, SPECIFICATIONS WITH PEDAL			1
3	40095154	PSC UNIT 921 1P 220-240V PDL-SP	FOR 1-PHASE 220~240V PFL, SPECIFICATIONS WITH PEDAL			1
4	40095155	PSC UNIT 921 3P 200-240V PDL-SP	FOR 3-PHASE 200~240V PFL, 3-PHASE 200~240V JA PFL, SPECIFICATIONS WITH PEDAL			1
5	40100919	PSC UNIT 921 1P 100-120V LA	FOR 1-PHASE 100~120V LA PFL, SEPARATION SPECIFICATIONS PEDAL			1
6	40100920	PSC UNIT 921 1P 220-240V	FOR 1-PHASE 220~240V PFL, SEPARATION SPECIFICATIONS PEDAL			1
7	40100921	PSC UNIT 921 1P 220-240V CE	FOR 1-PHASE 220~240V CE PFL, SEPARATION SPECIFICATIONS PEDAL			1
8	40100922	PSC UNIT 921 3P 200-240V	FOR 3-PHASE 200~240V PFL, 3-PHASE 200~240V JA PFL, SEPARATION SPECIFICATIONS PEDAL			1
9	40095143	CTL921_PCB ASSY		*		1
10	SL4041081SC	SCREW M4 L=10		*		6
11	40089241	PWR-CE PCB ASSY		*		1
12	40087129	PWR-S PCB ASSY		*		1
13	40087147	PWR-T PCB ASSY		*		1
14	40088311	STUD	FOR 1-PHASE 220~240V CE PFL, 3-PHASE 200~240V PFL, 1-PHASE 100~120V LA PFL, 3-PHASE 200~240V JA PFL, SPECIFICATIONS WITH PEDAL, SEPARATION SPECIFICATIONS PEDAL	*		5
15	SL4041081SC	SCREW M4 L=10	FOR 1-PHASE 220~240V CE PFL, 3-PHASE 200~240V PFL, 1-PHASE 100~120V LA PFL, 3-PHASE 200~240V JA PFL, SPECIFICATIONS WITH PEDAL, SEPARATION SPECIFICATIONS PEDAL	*		5
16	40087153	DC POWER SUPPLY CORD ASSY		*		1
17	40087154	RESISTANCE_A_ASSY		*		1
18	SL4041091SC	SCREW M4 L=10		*		1
19	ST9053511SR	TAPPING SCREW M5X35	SEPARATION SPECIFICATIONS PEDAL	*		2
20	40094259	PEDAL SENSOR ASM	SPECIFICATIONS WITH PEDAL	*		1
21	40094260	SENSOR COIL HOLD ASSY	SPECIFICATIONS WITH PEDAL	*		1
22	40042130	PEDAL_SENSOR_BASE		*		1
23	40087156	PEDAL_LEVER_A		*		1
24	40042133	PEDAL_LEVER_B		*		1
25	40006202	ADJUST_NUT		*		2
26	40006207	FRONT_SPRING		*		1
27	40006208	SPRING_SHAFT_A		*		2
28	40049426	SPRING_C		*		2
29	40006212	ADJUST_SCREW		*		2
30	SM8040612TP	SCREW M4 L=6		*		2
31	SV4030601SR	SCREW M3 L=6		*		2
32	40088315	THRUST COLLAR		*		2
33	SL6041292TN	SCREW	SEPARATION SPECIFICATIONS PEDAL	*		3
34	SL4040681SC	COMBINATION SCREW M4X8	FOR 1-PHASE 220~240V CE PFL, 3-PHASE 200~240V PFL, 1-PHASE 100~120V LA PFL, 3-PHASE 200~240V JA PFL, SPECIFICATIONS WITH PEDAL, SEPARATION SPECIFICATIONS PEDAL	*		5
35	40087167	UNDER_COVER		*		1
36	40087157	HINGE SCREW		*		2
37	SL4041681SC	SCREW M4 L=16		*		1



SC-921

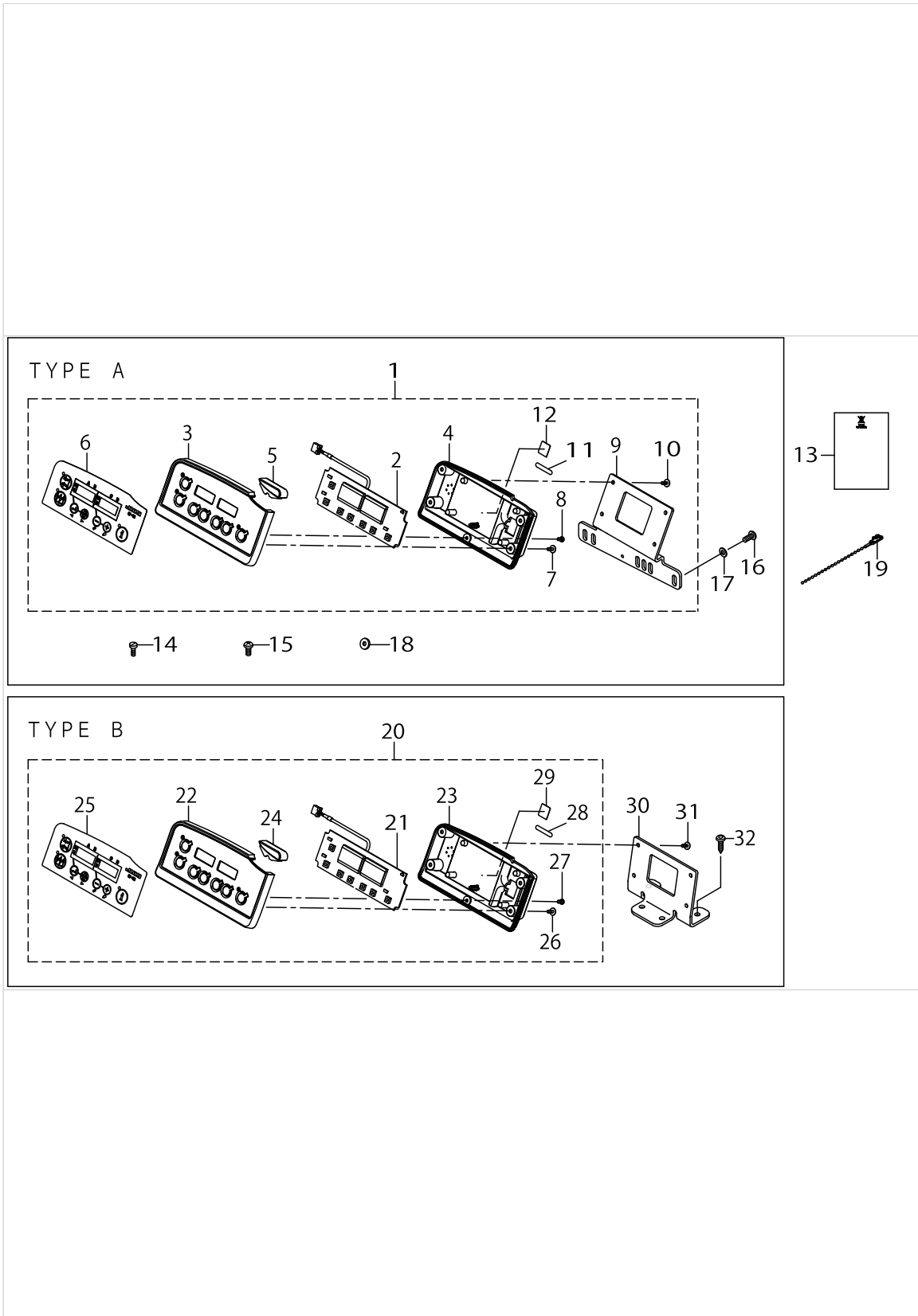
No.	Parts No.	Parts name	Remarks	Level	Cons	Qty
38	M8002430000	STOPPER		*		1
39	KX000000210	SADDLE TYPE TIE MOUNT		*		1
40	SM4051001SC	SCREW M5 L=10		*		1
41	KX000000230	RELEASIBLE CABLE TIE		*		1
42	40088035	POWER SUPPLY PLATE ASSY CE		*		1
43	40089563	POWER SUPPLY PLATE ASSY LA		*		1
44	40088316	RUBBER_CUSHION		*		2
45	40093424	BOX BRACKET	SEPARATION SPECIFICATIONS PEDAL	*		1
46	40087139	FLT-T PCB ASSY		*		1
47	SL4041081SC	SCREW M4 L=10		*		2
48	CM300100402	VOLTAGE DANGER LABEL(SMALL)		*		1
49	KX000000280	BEAD BAND		*		2
50	CM600100101	WEEE MARK LABEL S		*		1
51	CM300100302	VOLTAGE DANGER LABEL(SMALL)		*		1
52	CM300400602	VOLTAGE CAUTION LABEL L=25		*		1
53	CM300100003	VOLTAGE WARNING LABEL(25)		*		1
54	SL4031081SC	SCREW M3 L=10		*		2
55	SL4040881SC	SCREW M4 L=8		*		3
56	SL4030881SC	SCREW M3 L=8		*		1
57	40087168	HOUSING_PLATE_A		*		1
58	SL4030881SC	SCREW M3 L=8		*		1
59	40087166	FRAME_B	FOR 1-PHASE 220~240V CE PFL, 3-PHASE 200~240V PFL, 1-PHASE 100~120V LA PFL, 3-PHASE 200~240V JA PFL, SPECIFICATIONS WITH PEDAL, SEPARATION SPECIFICATIONS PEDAL	*		1
60	40087165	FRAME_A		*		1
61	SL4041081SC	SCREW M4 L=10		*		10
62	40103079	FLT-CE PCB ASSY		*		1
63	SL4041491SC	SCREW 4X14		*		3
64	40099916	BOX_HANGER				1
65	SL4051091SC	SCREW M5X0.8 L=10				4
66	40162970	CTL921 PCB ASSY CE		*		1

SC-921(Accessorie Parts)



SC-921(Accessorie Parts)

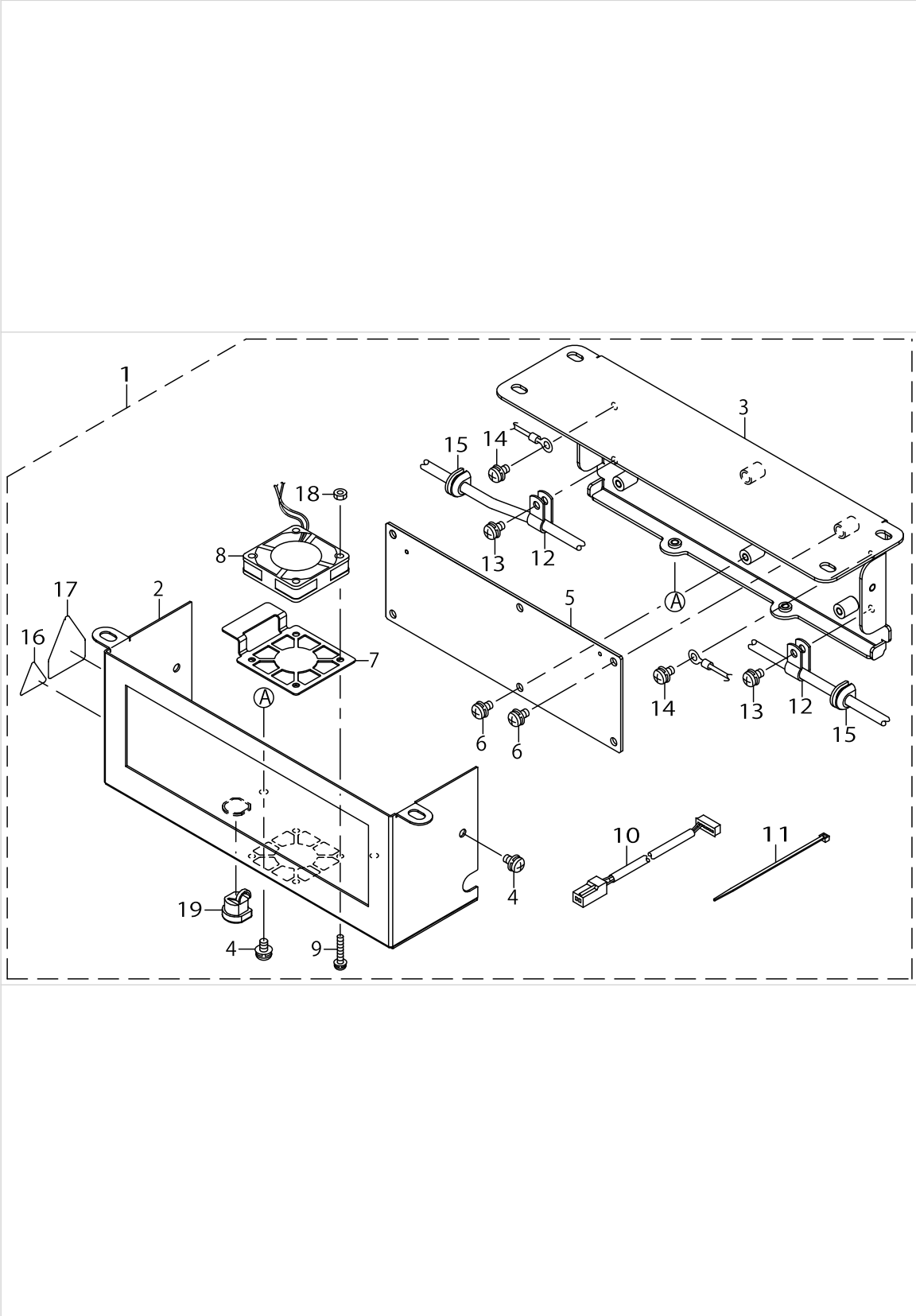
No.	Parts No.	Parts name	Remarks	Level	Cons	Qty
1	40095439	PEDAL SENSOR BASE ASSY ATT_INSIDE	SEPARATION SPECIFICATIONS PEDAL			1
2	40093423	SENSOR BRACKET	SEPARATION SPECIFICATIONS PEDAL	*		1
3	KX000000210	SADDLE TYPE TIE MOUNT	SEPARATION SPECIFICATIONS PEDAL	*		1
4	SM4051001SC	SCREW M5 L=10	SEPARATION SPECIFICATIONS PEDAL	*		1
5	40094259	PEDAL SENSOR ASM		*		1
6	40087159	SENSOR COIL HOLD A ASSY		*		1
7	SL4041091SC	SCREW M4 L=10	SEPARATION SPECIFICATIONS PEDAL	*		3
8	40093427	WOOD_SCREW D=5.1 L=18				2
9	40093426	MOTOR FITTING BOLT L=75	SEPARATION SPECIFICATIONS PEDAL			2
10	WP0851846SC	WASHER 8.5X22.0X1.8				2
11	WS0820002KR	SPRING WASHER M8				2
12	NM6080002SC	NUT M8				2
13	40049385	POWER SWITCH D ASM.	FOR 3-PHASE 200~240V JA PFL, SPECIFICATIONS WITH PEDAL, SEPARATION SPECIFICATIONS PEDAL ,ELECTRICAL EQUIPMENT IS HUNG AND THE TYPE			1
14	M6101471CA0	POWER SWITCH C ASM.	FOR 1-PHASE 220~240V PFL, SPECIFICATIONS WITH PEDAL, SEPARATION SPECIFICATIONS PEDAL ,ELECTRICAL EQUIPMENT IS HUNG AND THE TYPE			1
15	KF000000080	SLO-BLO FUSE				1
16	KF000000030	SLO-BLO FUSE				1
17	KX000000230	RELEASIBLE CABLE TIE	SEPARATION SPECIFICATIONS PEDAL			1
18	EA9500B0100	CABLE BAND				1
19	M6102461DAA	AC INPUT CABLE ASM.(CE)	FOR 1-PHASE 220~240V CE PFL, SPECIFICATIONS WITH PEDAL, SEPARATION SPECIFICATIONS PEDAL ,ELECTRICAL EQUIPMENT IS HUNG AND THE TYPE			1
20	40088314	CONNECTING ROD ASSY	FOR SPECIFICATIONS WITH PEDAL, SEPARATION SPECIFICATIONS PEDAL			1
21	CM600100201	WEEE INFORMATION SHEET	FOR 1-PHASE 220~240V CE PFL, SPECIFICATIONS WITH PEDAL, SEPARATION SPECIFICATIONS PEDAL ,ELECTRICAL EQUIPMENT IS HUNG AND THE TYPE			1
22	29275005	MANUFACTURERS DECLARATION				1
23	M4501471AA0	CONNECTING ROD A ASM.	FOR ELECTRICAL EQUIPMENT IS HUNG AND THE TYPE			1



CP-18

No.	Parts No.	Parts name	Remarks	Level	Cons	Qty
1	40088334	CP-18 TYPE A				1
2	40088126	CP PCB ASSY		*		1
3	40088347	FRONT_CASE		*		1
4	40088348	REAR_CASE		*		1
5	40088349	INDICATOR		*		1
6	40088351	PANEL SHEET		*		1
7	SV4030802SN	TAPPING SCREW WITH FLANGE M3X8		*		4
8	ST4030651SN	SCREW M3X6		*		1
9	40088350	PANEL BRACKET_A		*		1
10	SV4030802SN	TAPPING SCREW WITH FLANGE M3X8		*		4
11	40044616	TYPE LABEL A		*		1
12	CM600100101	WEEE MARK LABEL S		*		1
13	CM600100201	WEEE INFORMATION SHEET				1
14	SS6111210SP	SCREW 11/64-40 L=12				2
15	SS4121215SP	SCREW 3/16-28 L=12				2
16	SM4051255SP	SCREW M5 L=12				2
17	WP0501016SD	WASHER 5X10.5X1				4
18	B1144771000	FRAME SIDE COVER GASKET (C)				4
19	KX000000280	BEAD BAND				1
20	40092983	CP-18 TYPE B				1
21	40088126	CP PCB ASSY		*		1
22	40088347	FRONT_CASE		*		1
23	40088348	REAR_CASE		*		1
24	40088349	INDICATOR		*		1
25	40088351	PANEL SHEET		*		1
26	SV4030802SN	TAPPING SCREW WITH FLANGE M3X8		*		4
27	ST4030651SN	SCREW M3X6		*		1
28	40044617	TYPE LABEL B		*		1
29	CM600100101	WEEE MARK LABEL S		*		1
30	40088355	PANEL BRACKET B				1
31	SV4030802SN	TAPPING SCREW WITH FLANGE M3X8				4
32	40093427	WOOD_SCREW D=5.1 L=18				2

REACTOR BOX 2P (FOR CE)



REACTOR BOX 2P (FOR CE)

No.	Parts No.	Parts name	Remarks	Level	Cons	Qty
1	40161415	REACTOR BOX ASSY 2P				1
2	40163866	REACTOR_BOX_COVER_B_ASSY		*		1
3	40161414	REACTOR BOX BASE		*		1
4	SL4040881SC	SCREW M4 L=8		*		4
5	40161422	REACTOR PCB ASSY 2P		*		1
6	SL4040881SC	SCREW M4 L=8		*		6
7	40163611	FAN_PLATE_ASM		*		1
8	70005071	HOOK FAN MOTOR ASSY		*		1
9	SL4031891SC	SCREW M3 L=18		*		4
10	40163807	FAN RELAY CORD ASM		*		1
11	EA9500B0100	CABLE BAND		*		1
12	HX00150000B	CABLE CLAMP		*		2
13	SL4040881SC	SCREW M4 L=8		*		2
14	SL4040881SC	SCREW M4 L=8		*		2
15	M1013110000	CORD BUSH A		*		2
16	CM300100003	VOLTAGE WARNING LABEL (25)		*		1
17	CM300400602	VOLTAGE CAUTION LABEL L=25		*		1
18	NM6030001SC	NUT M3X0.5 TYPE1		*		4
19	HX006820000	CORD BUSHING		*		1

HOW TO MAKE USE OF THIS PARTS LIST

1.As to "#01" and "#02" refer to the "Note" given at the bottom of the respective pages.

2.Codes on the "Qty" column

- Each numeral indicates the number of parts required.
- "0.1" and "2.5" indicate the length (in meters) of the respective parts.

3.Parentheses mean that the corresponding part is a subpart that constructs an assembly part.

4.Dotted lines on the Figures indicate assembly parts.

1. リストページの# 0 1、# 0 2の印は、ページ下の"注記"の説明を参照下さい。
2. 数量欄の数字は、個数を表し、0. 1、2. 5等の数値は、長さ（単位メートル）を表します。
3. 数量欄の（ ）は、組部品を構成している子部品であることを意味します。
4. イラストページの-----枠は、組構成であることを意味します。

NUMERICAL INDEX OF PARTS

PART NO	PAGE	REF NO.	PART NO	PAGE	REF NO.	PART NO	PAGE	REF NO.
29275005	6	21·22	40094259	6	5	M1013110000	10	15
40006202	2	25	40094260	2	21	M4501471AA0	6	23
40006207	2	26	40095143	2	9·66	M6101471CA0	6	13·14
40006208	2	27	40095152	2	1~8	M6102461DAA	6	19
40006212	2	29	40095153	2	1~8	M8002430000	4	38
40042130	2	22	40095154	2	1~8	NM6030001SC	10	18
40042133	2	24	40095155	2	1~8	NM6080002SC	6	12
40044616	8	11	40095439	6	1	SL4030881SC	4	58
40044617	8	28	40099916	4	64	SL4031081SC	4	54
40049385	6	13·14	40100919	2	1~8	SL4031891SC	10	9
40049426	2	28	40100920	2	1~8	SL4040681SC	2	34
40087129	2	11~13	40100921	2	1~8	SL4040881SC	4	55
40087139	4	46·62	40100922	2	1~8	SL4040881SC	10	14
40087147	2	11~13	40103079	4	46·62	SL4041081SC	2	61
40087153	2	16	40161414	10	3	SL4041081SC	4	61
40087154	2	17	40161415	10	1	SL4041091SC	2	18
40087156	2	23	40161422	10	5	SL4041091SC	6	7
40087157	2	36	40162970	4	9·66	SL4041491SC	4	63
40087159	6	6	40163611	10	7	SL4041681SC	2	37
40087165	4	59·60	40163807	10	10	SL4051091SC	4	65
40087166	4	59·60	40163866	10	2	SL6041292TN	2	33
40087167	2	35	70005071	10	8	SM4051001SC	4	40
40087168	4	57	B1144771000	8	18	SM4051001SC	6	4
40088035	4	42	CM300100003	4	53	SM4051255SP	8	16
40088126	8	21	CM300100003	10	16	SM8040612TP	2	30
40088311	2	14	CM300100302	4	51	SS4121215SP	8	15
40088314	6	20	CM300100402	4	48	SS6111210SP	8	14
40088315	2	32	CM300400602	4	52	ST4030651SN	8	27
40088316	4	44	CM300400602	10	17	ST9053511SR	2	19
40088334	8	1	CM600100101	4	50	SV4030601SR	2	31
40088347	8	22	CM600100101	8	29	SV4030802SN	8	31
40088348	8	23	CM600100201	6	21·22	WP0501016SD	8	17
40088349	8	24	CM600100201	8	13	WP0851846SC	6	10
40088350	8	9	EA9500B0100	6	18	WS0820002KR	6	11
40088351	8	25	EA9500B0100	10	11			
40088355	8	30	HX00150000B	10	12			
40089241	2	11~13	HX006820000	10	19			
40089563	4	43	KF000000030	6	15·16			
40092983	8	20	KF000000080	6	15·16			
40093423	6	2	KX000000210	4	39			
40093424	4	45	KX000000210	6	3			
40093426	6	9	KX000000230	4	41			
40093427	6	8	KX000000230	6	17			
40093427	8	32	KX000000280	4	49			
40094259	2	20	KX000000280	8	19			