

MODEL : UT42/UT45 (For Export)

List No : 1544-00

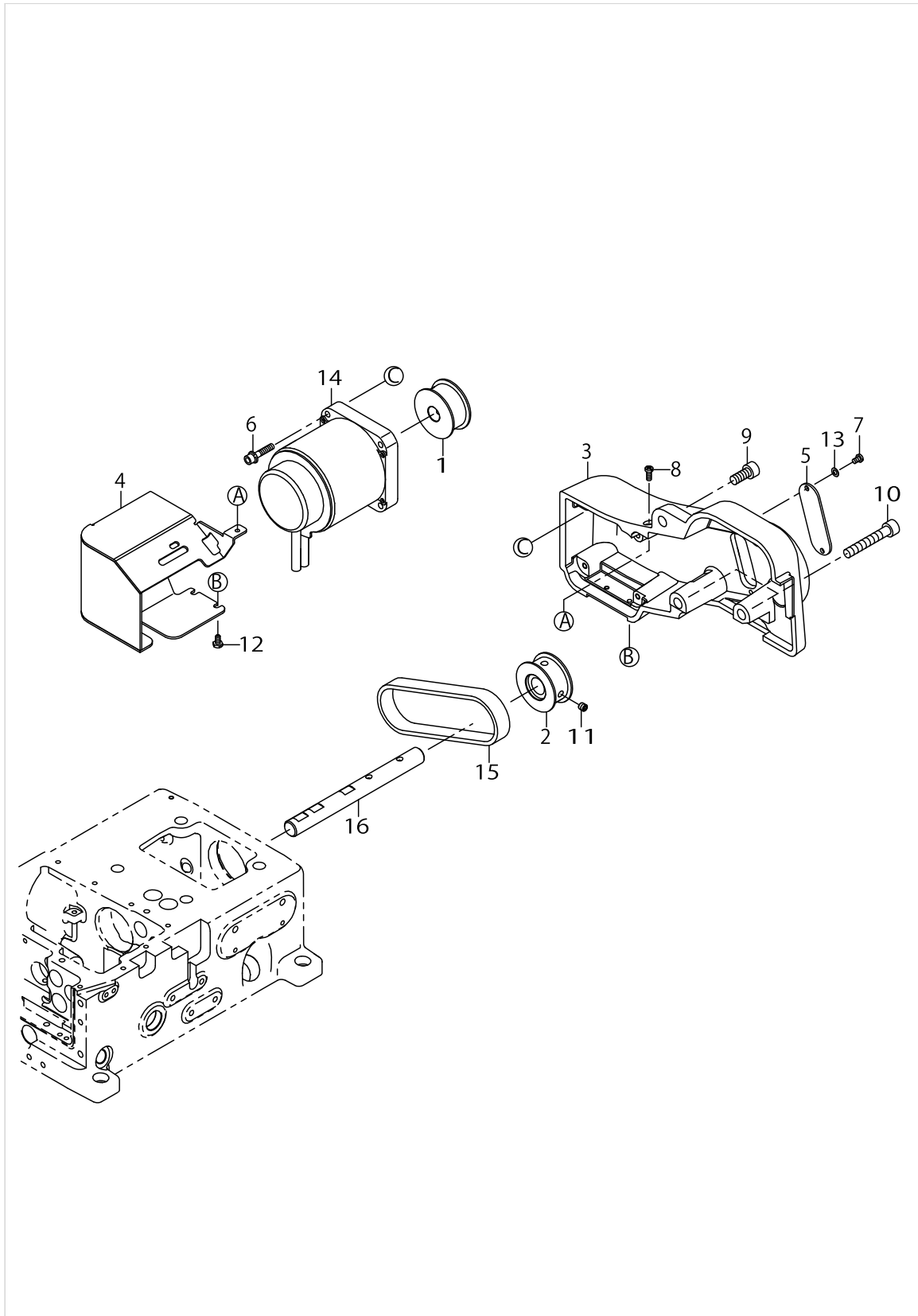
PARTS LIST

Published:09/10/2017

CONTENTS

MISCELLANEOUS COVER COMPONENTS.....	1
THREAD TENSION COMPONENTS	3
LOOPER THREAD TRIMMER COMPONENTS	5
PNEUMATIC DRIVE & PRESSER FEED LIFTER COMPONENTS (FOR UT42).....	7
PNEUMATIC DRIVE & PRESSER FEED LIFTER COMPONENTS (FOR UT45).....	11
TOP COVER THREAD TRIMMER COMPONENTS (FOR UT42).....	15
TOP COVER THREAD TRIMMER COMPONENTS (FOR UT45).....	17
TOP COVER THREAD TRIMMER COMPONENTS (FOR UT45A)	19
ACCESSORIE PART COMPONENTS.....	21
HOW TO MAKE USE OF THIS PARTS LIST	23

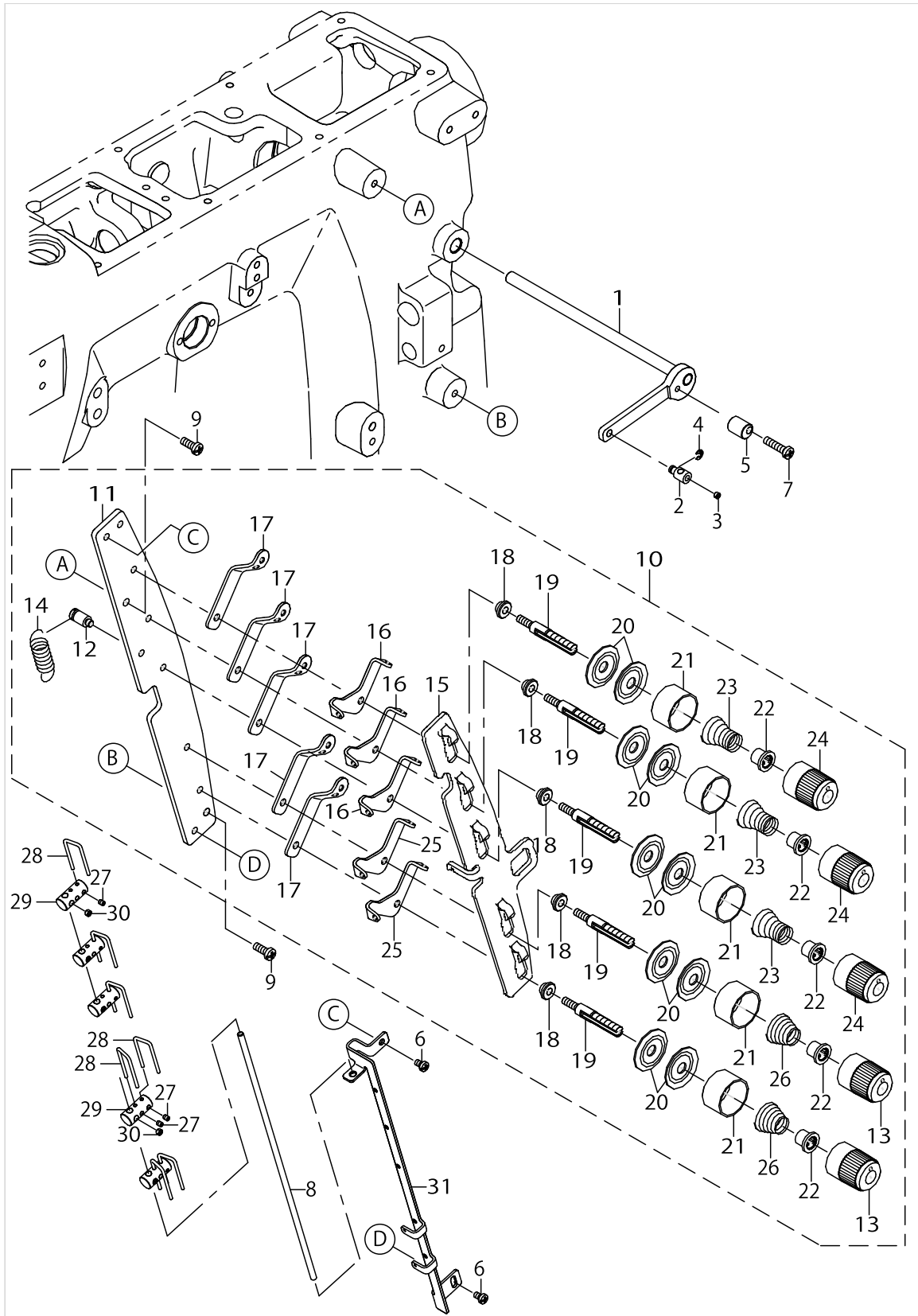
MISCELLANEOUS COVER COMPONENTS



MISCELLANEOUS COVER COMPONENTS

No.	Parts No.	Parts name	Remarks	Level	Cons	Qty
1	40093265	MOTOR_SHAFT_SPROCKET				1
2	40093266	LMS_SPROCKET				1
3	40093372	MOTOR_BRACKET_MASKING				1
4	40093353	MOTOR_COVER				1
5	40093368	MOTOR_BRACKET_COVER				1
6	SL6052592TN	BOLT				4
7	SM4040655SP	SCREW M4 L=6				2
8	SM4041055SP	SCREW				1
9	SM6081802TP	SCREW				1
10	SM6085002TP	SCREW				2
11	SM8060612TP	SCREW M6 L=6				2
12	SM9040800SN	SCREW M4 L=8				2
13	WP0450000SD	WASHER 4.5X8X0.5				2
14	40094224	SERVO MOTOR				1
15	40094442	TIMING_BELT				1
16	40093350	LOWER_MAIN_SHAFT_BD				1

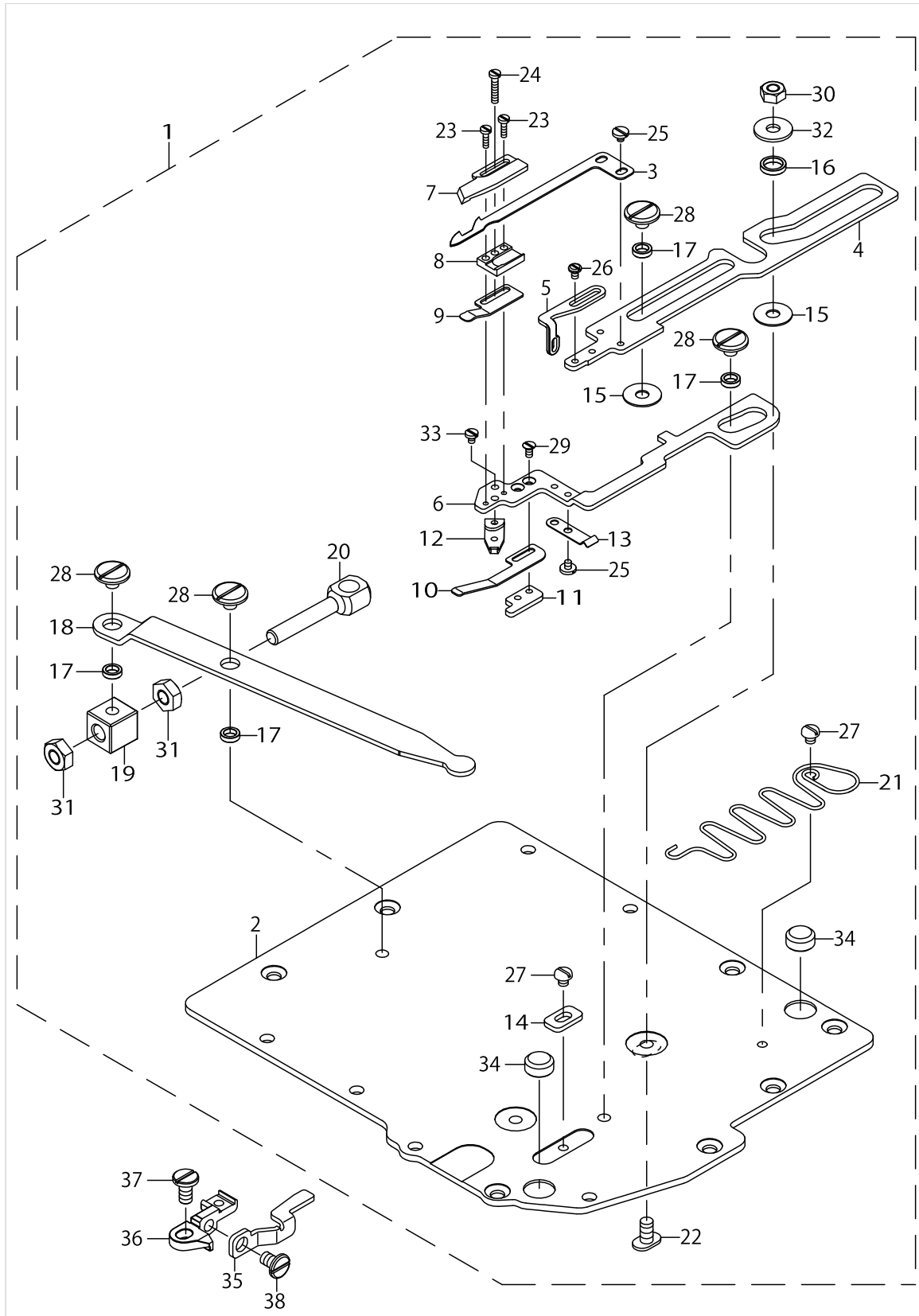
THREAD TENSION COMPONENTS



THREAD TENSION COMPONENTS

No.	Parts No.	Parts name	Remarks	Level	Cons	Qty
1	13456553	PULL_OFF_LEVER_ASSY				1
2	13456405	THD_PULL_OFF_BAR_HOLDER				1
3	SM8040360TP	SCREW				1
4	RE0300000K0	E-RING 3				1
5	40065785	TENS_RELEASE_ADJ_ECC				1
6	SM4040655SP	SCREW M4 L=6				2
7	SM4041655SP	SCREW M4 L=16				1
8	13456108	PULL_OFF_BAR				1
9	SM4041055SP	SCREW				2
10	40066136	THREAD_TENSION_ASSY				1
11	13340203	TENSION POST SUPPORT		*		1
12	13340302	SHOULDER SCREW		*		1
13	40042363	KNOB		*		2
14	B2008372000	THREAD TENSION SPRING		*		1
15	40065784	TENSION_DISC_SEPARATOR		*		1
16	13341607	TENSION_DISC_EYELET_2		*		3
17	13340609	THREAD LEAD IN GUIDE		*		5
18	13340708	SPACER		*		5
19	40042362	TENSION POST		*		5
20	13138201	THREAD TENSION DISK		*		10
21	40042366	THREAD TENSION DISK PRESSER		*		5
22	40042365	SPRING BUSHING		*		5
23	13140504	TENSION SPRING		*		3
24	40042364	KNOB GREEN		*		3
25	13340500	TENSION DISC EYELET		*		2
26	B3121804000	TENSION SPRING		*		2
27	SM8030412TP	SCREW				7
28	13456603	THD_PULL_OFF_HOOK				7
29	13456207	THD_P_O_HOOK_GUIDE				5
30	SM8040360TP	SCREW				5
31	13456009	THREAD_GUIDE				1

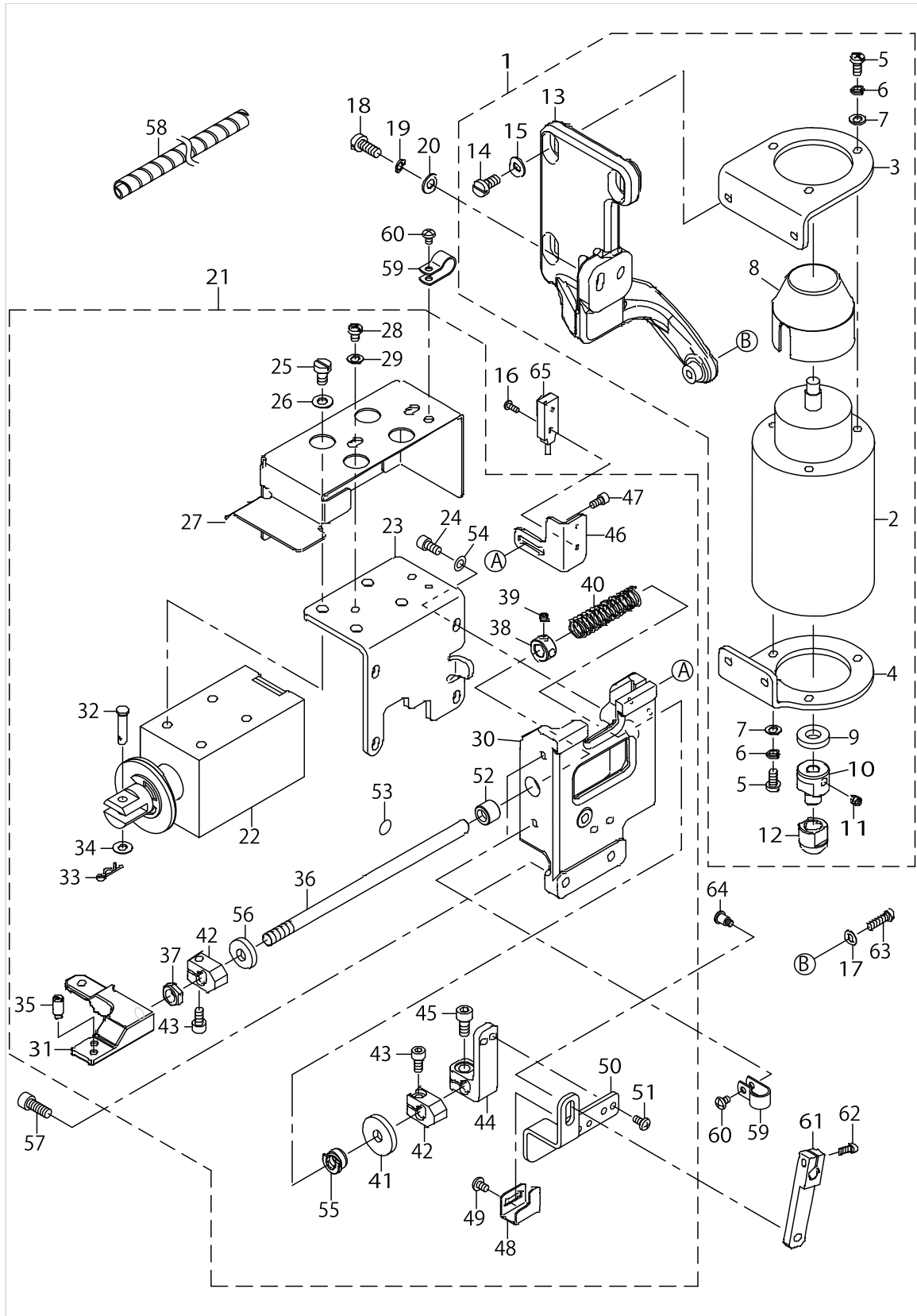
LOOPER THREAD TRIMMER COMPONENTS



LOOPER THREAD TRIMMER COMPONENTS

No.	Parts No.	Parts name	Remarks	Level	Cons	Qty
1	40086304	UNDER_TRIMMER_ASSY				1
2	40086287	COVER_PLATE		*		1
3	40086274	LOWER_KNIFE		*		1
4	40086275	LOWER_KNIFE_HOLDER		*		1
5	40086276	THREAD_GUIDE		*		1
6	40086281	KNIFE_GUIDE_HOLDER		*		1
7	40086277	UPPER_KNIFE		*		1
8	40086278	LOWER_KNIFE_GUIDE		*		1
9	40086279	KNIFE_SPRING		*		1
10	40086280	THREAD_CLAMP		*		1
11	40086282	PLATE		*		1
12	40086308	TENSION_LEVER		*		1
13	40086286	GUIDE_SPRING		*		1
14	40086290	STOPPER		*		1
15	WP0420516KH	THRUST WASHER 4.2		*		1
16	40086292	COLLAR_D8		*		1
17	40086293	COLLAR_D6		*		1
18	40086294	LEVER		*		1
19	40086295	CONNECTING_BLOCK_A		*		1
20	40086296	CONNECTING_BLOCK_B		*		1
21	13440409	SPRING_FOR_UT		*		1
22	40070110	SCREW		*		1
23	40086298	SCREW_M1.6 L=6		*		1
24	40086299	SCREW_M2 L=10		*		1
25	40086300	SCREW_M2 L=2.3		*		1
26	40086301	SCREW_M2 L=3		*		1
27	40086302	SCREW_M3 L=3		*		1
28	40086303	SCREW_M4X0.5 L=4		*		1
29	SM1020450TP	SCREW M2 L=4		*		1
30	NM6040001SP	NUT M4X0.7		*		1
31	NM6050001SP	NUT M5		*		1
32	WP0431005SP	PLAIN WASHER 4.3X12X1		*		1
33	SM6020350SP	SCREW M2 L=2.5		*		1
34	TA0900502R0	PLUG D=9 L=4.5		*		1
35	40086289	SUPPORT_PLATE				1
36	40086288	SUPPORT_BASE				1
37	SM6040860TP	SCREW M4 L=8				1
38	SM6040650TP	SCREW M4 L=8				1

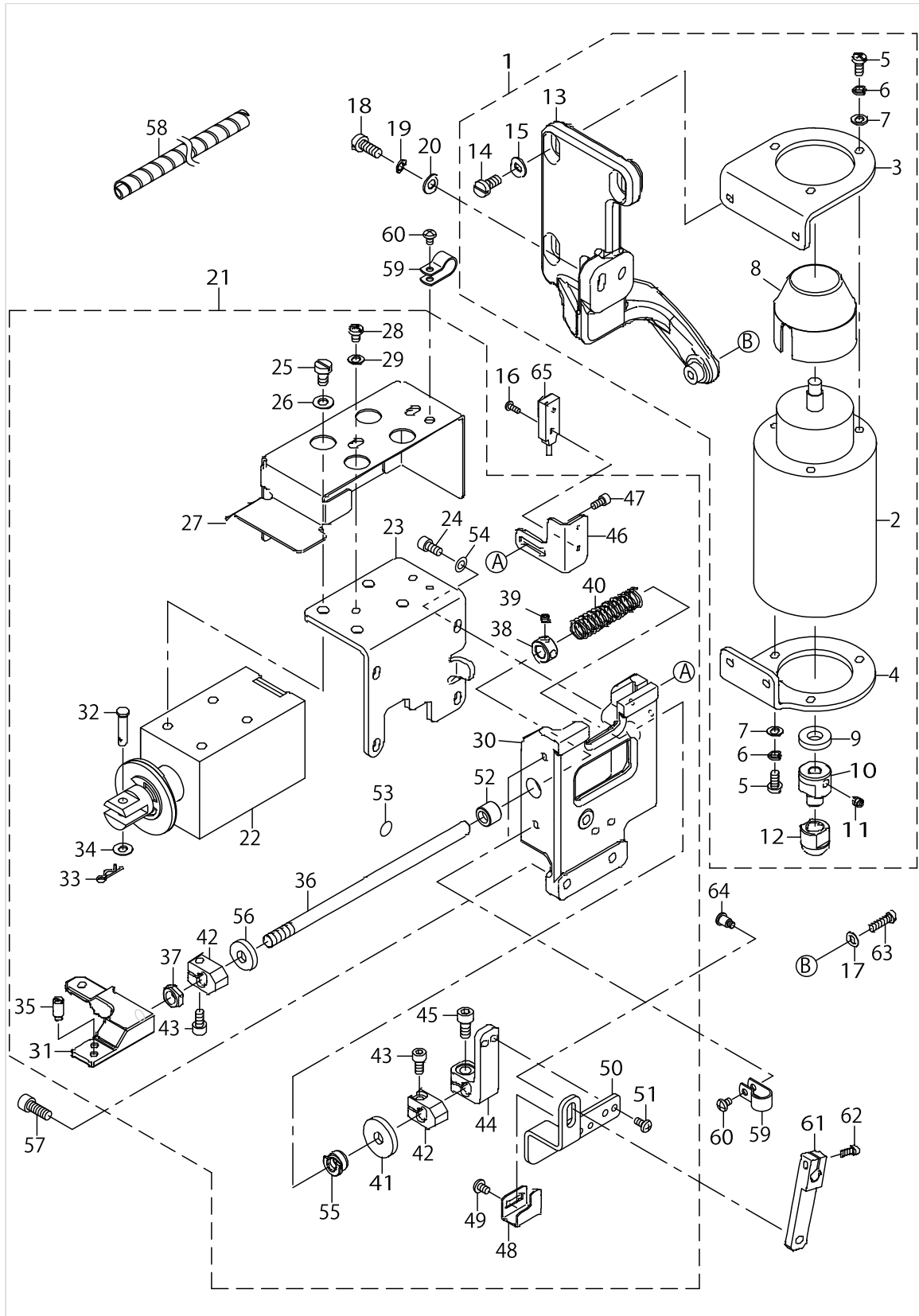
PNEUMATIC DRIVE & PRESSER FEED LIFTER COMPONENTS (FOR UT42)



PNEUMATIC DRIVE & PRESSER FEED LIFTER COMPONENTS (FOR UT42)

No.	Parts No.	Parts name	Remarks	Level	Cons	Qty
1	40030477	SOLENOID_ASSY_B				1
2	40030478	SOLENOID_ASSY_A		*		1
3	40032444	SOLENOID_BRACKET_UPPER		*		1
4	40032445	SOLENOID_BRACKET_LOWER		*		1
5	SM4051055SP	SCREW		*		6
6	WS0510002KP	SPRING WASHER 5.1X9.2X1.3		*		6
7	WP0550800SP	WASHER 5.5X10X0.8		*		6
8	GAK3303600A	SOLENOID COVER		*		1
9	40032703	P_F_RUBBER_WASHER		*		1
10	40032447	CAP_JOINT		*		1
11	SM8050602TP	SCREW M5 L=6		*		1
12	13455100	AIR_CYLINDER_CAP		*		1
13	40032446	SOLENOID_BRACKET		*		1
14	SM6061200SP	SCREW		*		4
15	WP0621016SD	WASHER 6.2X13X1		*		4
16	SM4030855SN	SCREW M3 L=8.0				1
17	WP0450826SC	WASHER 4.5X10X0.8				1
18	SM6061400SP	SCREW M6 L=14				1
19	WS0610002KP	SPRING WASHER				1
20	WP0621016SD	WASHER 6.2X13X1				1
21	40030482	UT_ELECTRIC_DRIVE_ASSY				1
22	40040271	UT_SOLENOID_ASSY		*		1
23	40026935	SOLENOID_BRACKET		*		1
24	SM6051002TP	SCREW M5X0.8 L=10		*		4
25	SM6061010TP	SCREW M6 L=10		*		4
26	WP0621016SD	WASHER 6.2X13X1		*		4
27	40039670	SOLENOID_COVER		*		1
28	SM4050655SP	SCREW M5 L=6		*		2
29	WP0550800SP	WASHER 5.5X10X0.8		*		2
30	40040662	UT_SOLENOID_BASE		*		1
31	40026848	CONN_BLOCK		*		1
32	40039669	MAGNET_PIN		*		1
33	B1515210D00	PIN		*		1
34	WP0560860SE	WASHER 5.6X12X0.8		*		1
35	13442702	PIN		*		1
36	40024097	UT_SHAFT		*		1
37	NM6080003SC	NUT M8		*		1
38	CS0800881TP	THRUST COLLAR		*		1
39	SM8050412TP	SCREW M5 L=4		*		2
40	40042567	SPRING		*		1
41	13443601	WASHER		*		1
42	13442900	COLLAR		*		2
43	SM6051002TP	SCREW M5X0.8 L=10		*		2
44	13443007	PLATE HOLDER		*		1
45	SM6061202TP	SCREW M6 L=12		*		1
46	40024101	SENSOR HOLDER		*		1
47	SM6040802TN	SCREW		*		2

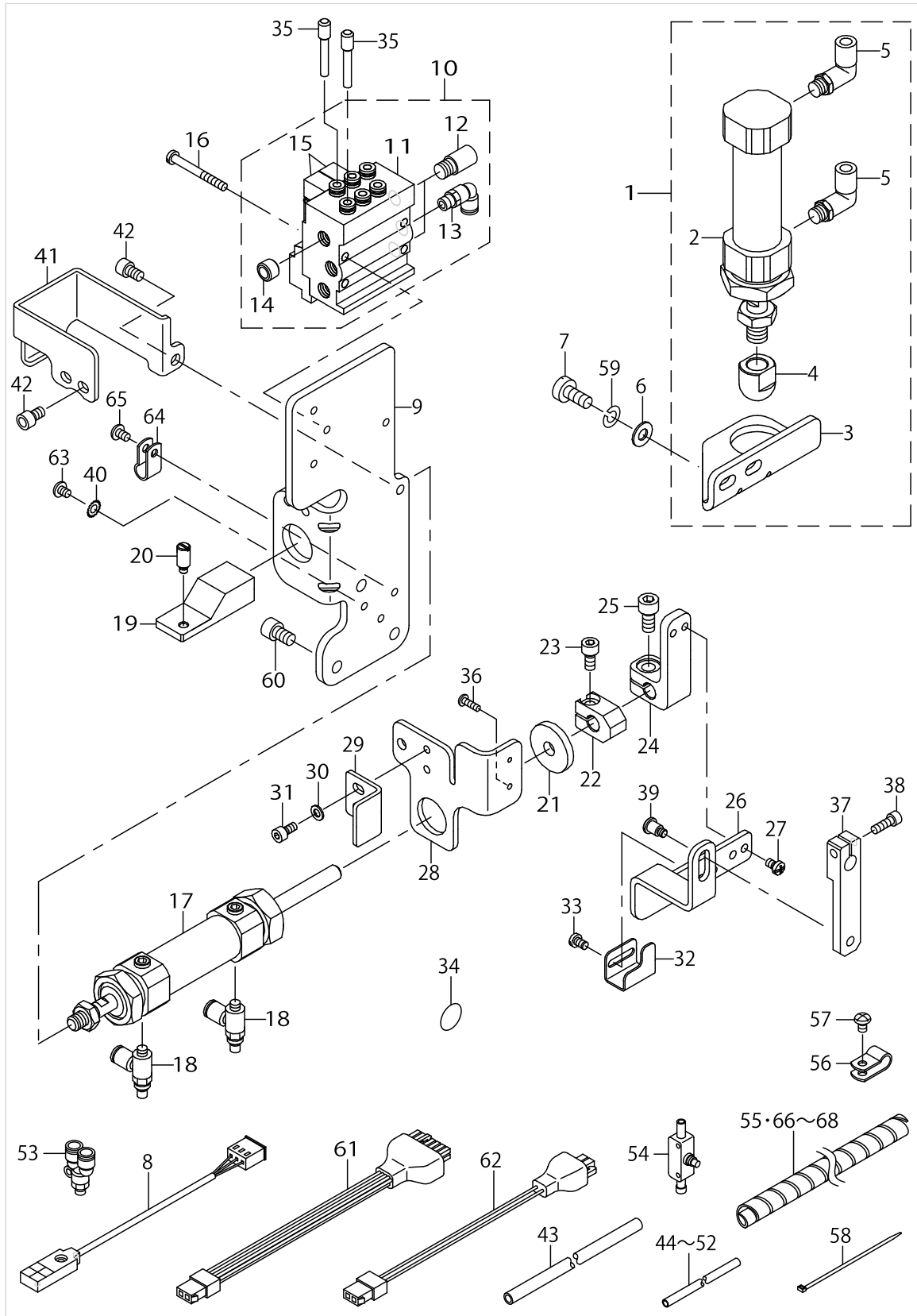
PNEUMATIC DRIVE & PRESSER FEED LIFTER COMPONENTS (FOR UT42)



PNEUMATIC DRIVE & PRESSER FEED LIFTER COMPONENTS (FOR UT42)

No.	Parts No.	Parts name	Remarks	Level	Cons	Qty
48	13443205	SWITCH_PLATE		*		1
49	SM4040655SP	SCREW M4 L=6		*		2
50	13443106	TENS_RELEASE_PLATE		*		1
51	SM4040855SP	SCREW		*		2
52	40040661	BUSHING_UT_SHAFT		*		1
53	22901805	GROUND MARK		*		1
54	WP0550800SP	WASHER 5.5X10X0.8		*		4
55	40038380	BUSHING_UT_SHAFT_RIGHT		*		1
56	40038259	WASHER		*		1
57	SM6061602TP	SCREW M6 L=16				3
58	HX00314000A	SPIRAL TUBE				0.6
59	HX00150000D	CABLE CLIP				3
60	SM4040655SP	SCREW M4 L=6				3
61	13443304	TENSION_RELEASE_LEVER				1
62	SM6041202TP	SCREW M4X0.7 L=12				1
63	SM4041655SP	SCREW M4 L=16				1
64	SD0700706TP	SHOULDER SCREW				1
65	40021746	UNDER_TRIMMER_SENSOR_CABLE_ASM				1

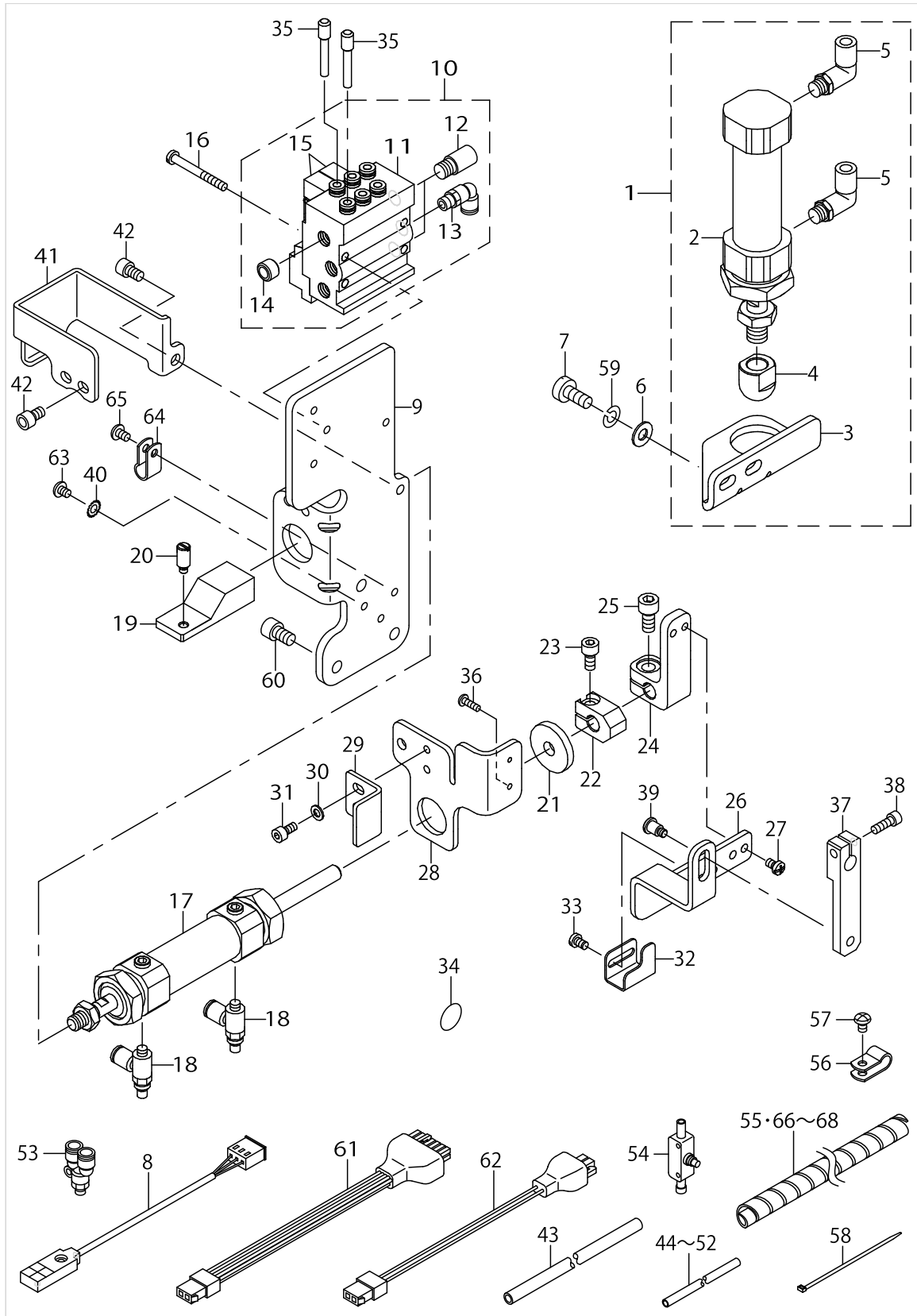
PNEUMATIC DRIVE & PRESSER FEED LIFTER COMPONENTS (FOR UT45)



PNEUMATIC DRIVE & PRESSER FEED LIFTER COMPONENTS (FOR UT45)

No.	Parts No.	Parts name	Remarks	Level	Cons	Qty
1	40018079	PNEUMATIC_P_F_LIFTER_ASSY				1
2	PA2503004A0	AIR CYLINDER		*		1
3	13455001	AIR_CYLINDER_BRACKET		*		1
4	13455100	AIR_CYLINDER_CAP		*		1
5	PJ304045102	ELBOW UNION, C		*		2
6	WP0621016SD	WASHER 6.2X13X1				2
7	SM6061400SP	SCREW M6 L=14				2
8	40021746	UNDER_TRIMMER_SENSOR_CABLE_ASM				1
9	13442504	AIR_CYLINDER_BRACKET				1
10	40072396	MANIFOLD_VALVE_ASSY				1
11	PV035161000	MANIFOLD		*		1
12	PX055104000	SILENCER (PT1/8)		*		2
13	PJ304065101	ELBOW UNION 6XPT1/8		*		1
14	PJ025100002	PLUG R1/8		*		3
15	PV150103200	5-PORT SOKENOID VALVE		*		2
16	SM4043555SP	SCREW				2
17	PA2001802A0	AIR CYLINDER				1
18	PC010508000	SPEED CONTROLLER				2
19	13442603	PLUNGER				1
20	13442702	PIN				1
21	13443601	WASHER				1
22	13442900	COLLAR				1
23	SM6051002TP	SCREW M5X0.8 L=10				1
24	13443007	PLATE HOLDER				1
25	SM6061202TP	SCREW M6 L=12				1
26	13443106	TENS_RELEASE_PLATE				1
27	SM4040655SP	SCREW M4 L=6				2
28	13442801	SENSOR HOLDER				1
29	13443700	SUPPORT_PLATE_UT				1
30	WP0430800SC	WASHER M4				2
31	SM6040802TP	SCREW M4X0.7 L=8				2
32	13443205	SWITCH_PLATE				1
33	SM4040655SP	SCREW M4 L=6				2
34	22901805	GROUND MARK				1
35	PX500014000	PLUG				2
36	SM4031001SN	SCREW				1
37	13443304	TENSION_RELEASE_LEVER				1
38	SM6041202TP	SCREW M4X0.7 L=12				1
39	SD0700706TP	SHOULDER SCREW				1
40	WT0430002KN	WASHER M4				1
41	40069703	SOLENOIDE_COVER				1
42	SM6050802TP	SCREW M5X0.8 L=8				3
43	BT0600401EB	TUBE				2
44	BT0400251EB	URETHANE HOSE, BLACK				0.27
45	BT0400251EB	URETHANE HOSE, BLACK				0.32
46	BT0400251EB	URETHANE HOSE, BLACK				0.08
47	BT0400251EB	URETHANE HOSE, BLACK				0.08

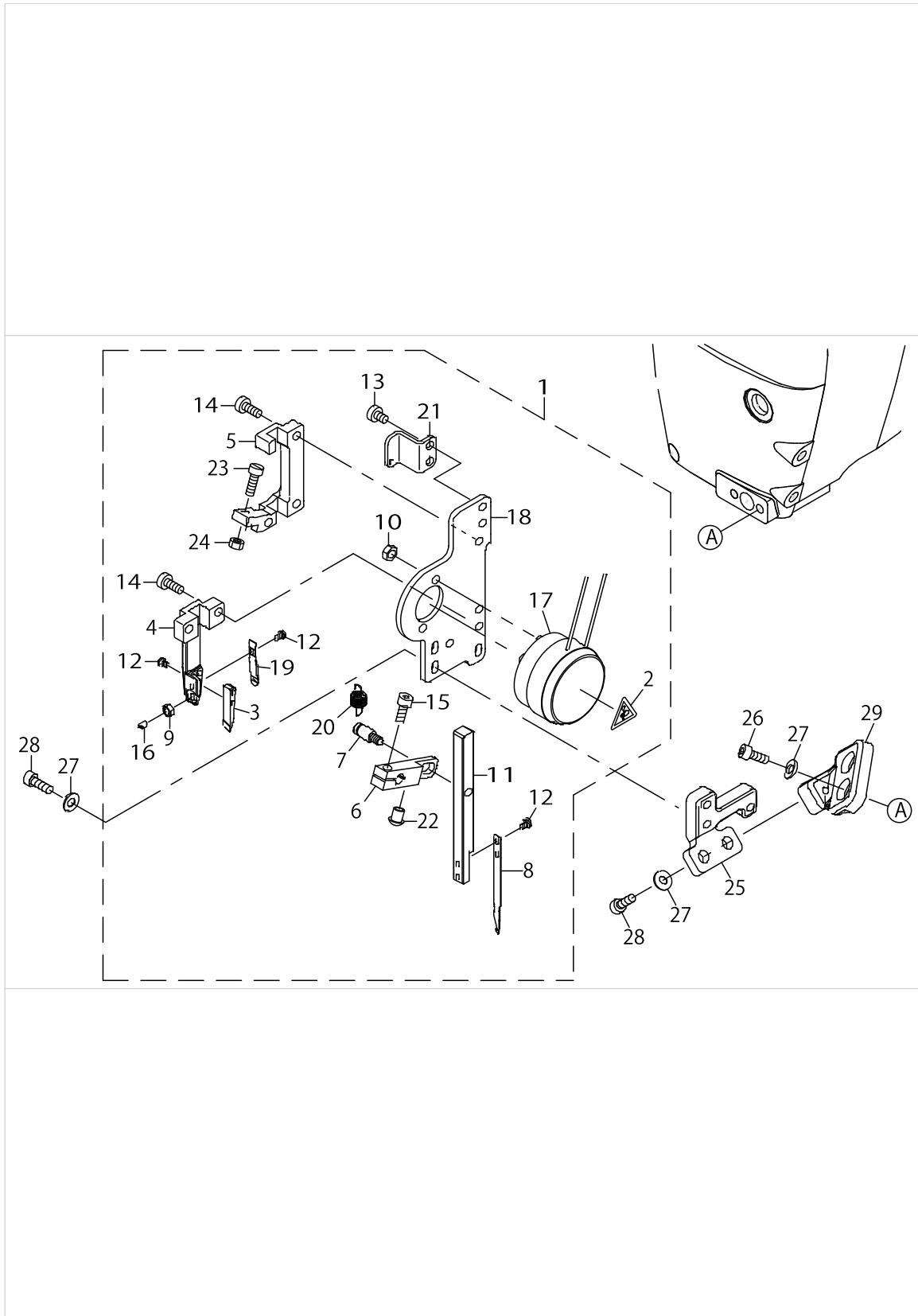
PNEUMATIC DRIVE & PRESSER FEED LIFTER COMPONENTS (FOR UT45)



PNEUMATIC DRIVE & PRESSER FEED LIFTER COMPONENTS (FOR UT45)

No.	Parts No.	Parts name	Remarks	Level	Cons	Qty
48	BT0400251EB	URETHANE HOSE, BLACK				0.42
49	BT0400251EB	URETHANE HOSE, BLACK				0.23
50	BT0400251EB	URETHANE HOSE, BLACK				0.63
51	BT0400251EB	URETHANE HOSE, BLACK				0.3
52	BT0400251EB	URETHANE HOSE, BLACK				0.22
53	PJ308040006	UNION				2
54	PC012401000	SPEED CONTROLLER				1
55	HX00314000A	SPIRAL TUBE				0.6
56	HX00150000B	CABLE CLIP				2
57	SM4040655SP	SCREW M4 L=6				2
58	EA9500B0100	CABLE BAND				3
59	WS0610002KP	SPRING WASHER				2
60	SM6061002TP	SCREW M6 L=10				3
61	40027211	UNDER_TRIMMER_CABLE_B_ASM.				1
62	40027213	LIFT_UP_CABLE_B_ASM.				1
63	SM4040501SN	SCREW M4X0.7 L=5				1
64	HX00150000B	CABLE CLIP				1
65	SM4040655SP	SCREW M4 L=6				1
66	HX003140000	SPIRAL TABE				0.96
67	HX00314000D	SPIRAL TUBE				0.12
68	HX00314000D	SPIRAL TUBE				0.1

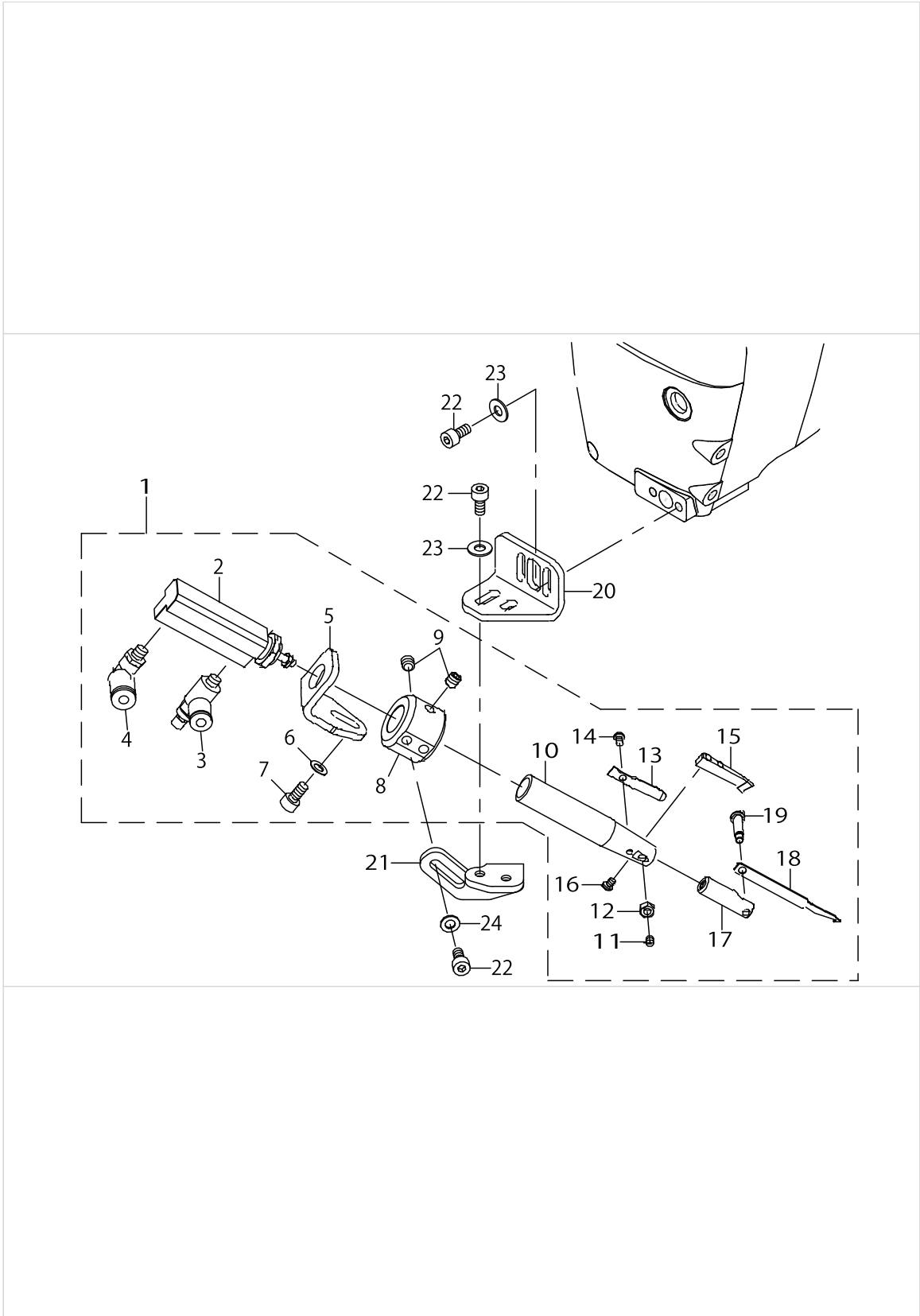
TOP COVER THREAD TRIMMER COMPONENTS (FOR UT42)



TOP COVER THREAD TRIMMER COMPONENTS (FOR UT42)

No.	Parts No.	Parts name	Remarks	Level	Cons	Qty
1	40029821	U_L_THD_TRIMMER_ASSY				1
2	CM300200001	FINGER INJURY CAUTION LABEL (16)		*		1
3	40029004	FIXED_KNIFE		*		1
4	40029005	FIXED_KNIFE_HOLDER		*		1
5	40024103	HOLDER_GUIDE		*		1
6	40029006	LEVER		*		1
7	40029007	LEVER_PIN		*		1
8	40029008	MOVING_KNIFE		*		1
9	NM6030001SD	NUT M3X0.5		*		1
10	NM6040001SP	NUT M4X0.7		*		2
11	40029010	ROD		*		1
12	SM4850455SP	SCREW		*		5
13	SM6040600SP	SCREW M4 L=6		*		2
14	SM6041000SP	SCREW M4 L=10		*		5
15	SM6041002TP	SCREW M4X0.7 L=10		*		1
16	SM8030450SP	SCREW M3 L=4		*		1
17	M85186300A0	THREAD TENSION SOLENOID ASM.		*		1
18	40029011	SOLENOID_BASE		*		1
19	13458401	SPRING		*		1
20	40029012	SPRING		*		1
21	40029013	SPRING_HOOK_BASE		*		1
22	TA0550604R0	RUBBER PLUG		*		1
23	SM6041200SP	SCREW M4 L=12		*		1
24	NM6040001SP	NUT M4X0.7		*		1
25	40029003	BRACKET2				1
26	SM6041002TN	BOLT				2
27	WP0450826SC	WASHER 4.5X10X0.8				5
28	SM6041202TN	SCREW M4X0.7 L=12				5
29	40029002	BRACKET1				1

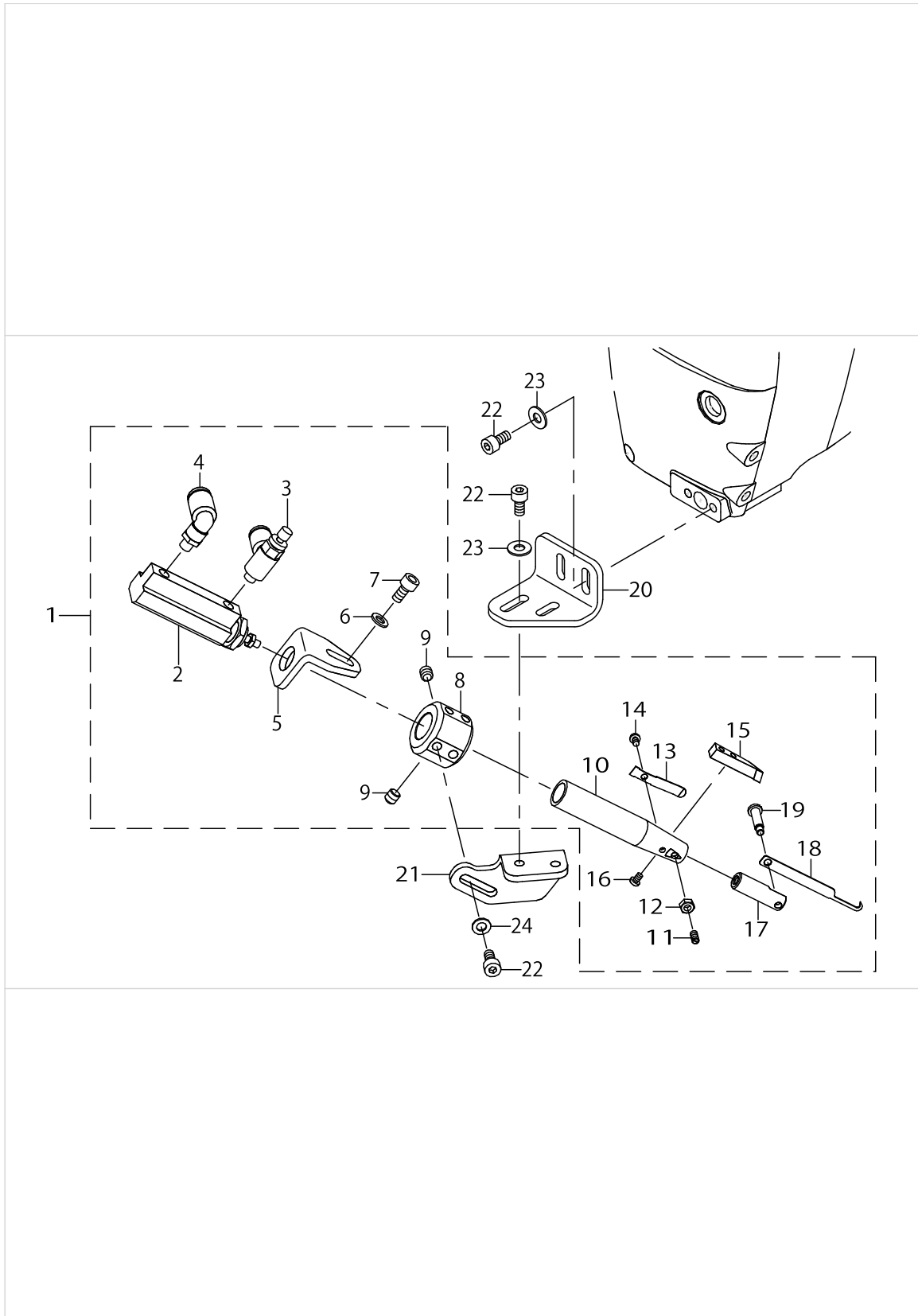
TOP COVER THREAD TRIMMER COMPONENTS (FOR UT45)



TOP COVER THREAD TRIMMER COMPONENTS (FOR UT45)

No.	Parts No.	Parts name	Remarks	Level	Cons	Qty
1	40021279	U_L_THREAD_TRIMMER_ASSY				1
2	PA0602006A0	AIR CYLINDER		*		1
3	PC010508000	SPEED CONTROLLER		*		1
4	PJ304040504	ELBOW UNION		*		1
5	13459300	AIR_CYLINDER_BRACKET		*		1
6	WP0430800SC	WASHER M4		*		2
7	SM6040802TN	SCREW		*		2
8	13458203	COLLAR		*		1
9	SM8050512TP	SCREW		*		2
10	13458302	KNIFE HOLDER		*		1
11	SM8030450SP	SCREW M3 L=4		*		1
12	NM6030001SD	NUT M3X0.5		*		1
13	13458401	SPRING		*		1
14	SM4850455SP	SCREW		*		1
15	40029004	FIXED_KNIFE		*		1
16	SM4850455SP	SCREW		*		2
17	13458005	MOVING_KNIFE HOLDER		*		1
18	40058211	MOVING_KNIFE		*		1
19	13458104	SHOULDER_SCREW		*		1
20	40050570	BRACKET_2				1
21	40050569	BRACKET				1
22	SM6040802TN	SCREW				6
23	WP0450826SC	WASHER 4.5X10X0.8				4
24	WP0430800SC	WASHER M4				2

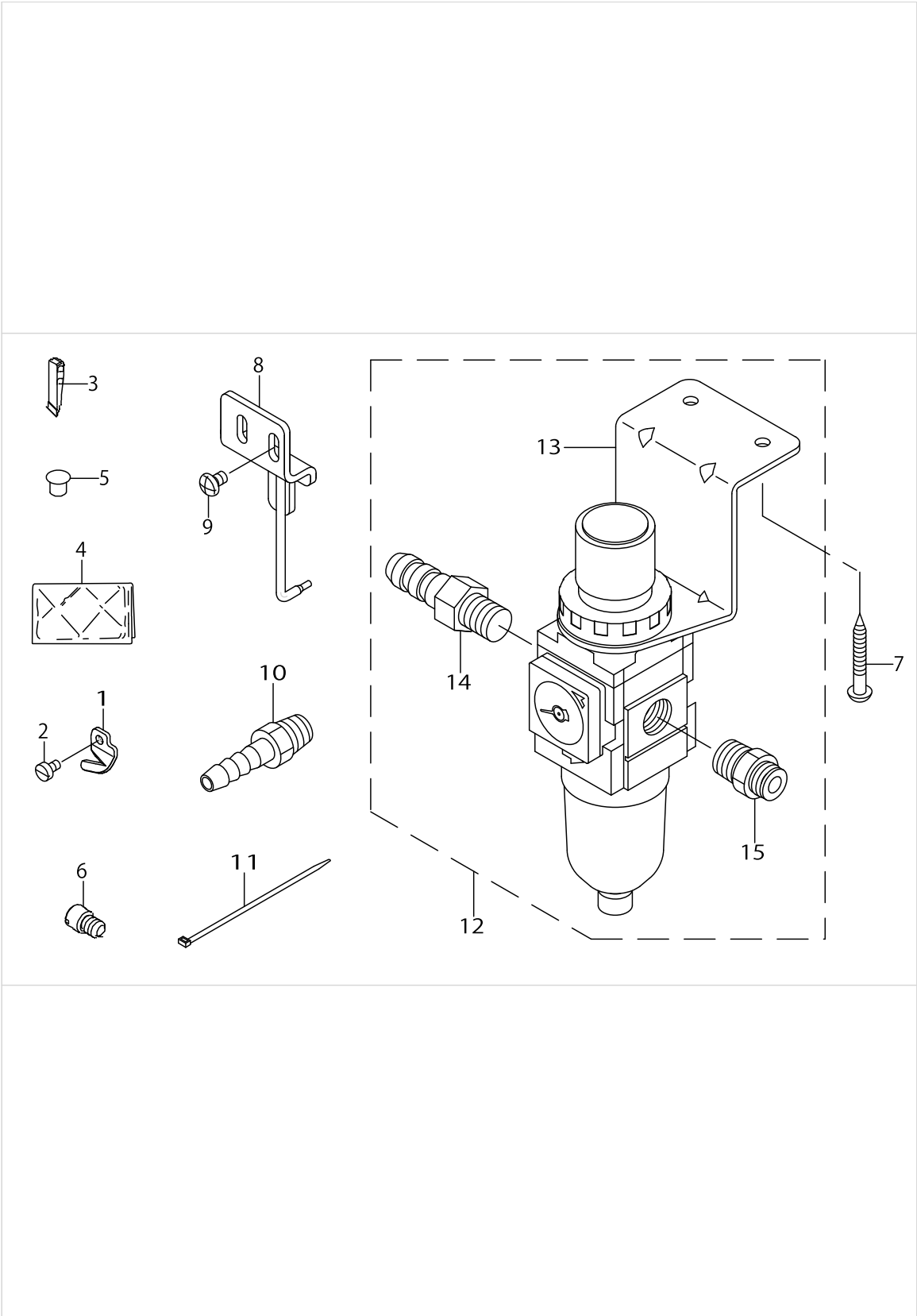
TOP COVER THREAD TRIMMER COMPONENTS (FOR UT45A)



TOP COVER THREAD TRIMMER COMPONENTS (FOR UT45A)

No.	Parts No.	Parts name	Remarks	Level	Cons	Qty
1	40060754	U_L_THD_TRIMMER_ASSY				1
2	PA0602006A0	AIR CYLINDER		*		1
3	PC010508000	SPEED CONTROLLER		*		1
4	PJ304040504	UNION		*		1
5	13459300	AIR_CYLINDER_BRACKET		*		1
6	WP0430800SC	WASHER M4		*		2
7	SM6040802TN	SCREW		*		2
8	13458203	COLLAR		*		1
9	SM8050512TP	SCREW		*		2
10	13458302	KNIFE HOLDER		*		1
11	SM8030450SP	SCREW M3 L=4		*		1
12	NM6030001SD	NUT M3X0.5		*		1
13	13458401	SPRING		*		1
14	SM4850455SP	SCREW		*		1
15	13458500	LOWER_KNIFE		*		1
16	SM4850455SP	SCREW		*		2
17	13458005	MOVING_KNIFE HOLDER		*		1
18	40065510	MOVING_KNIFE		*		1
19	13458104	SHOULDER_SCREW		*		1
20	13458708	BRACKET_2				1
21	13458609	BRACKET				1
22	SM6040802TN	SCREW				6
23	WP0450826SC	WASHER 4.5X10X0.8				4
24	WP0430800SC	WASHER M4				2

ACCESSORIE PART COMPONENTS



ACCESSORIE PART COMPONENTS

No.	Parts No.	Parts name	Remarks	Level	Cons	Qty
1	13316302	THREAD_TRIMMER				1
2	SM6030500SN	SCREW M3 L=5				1
3	40029004	FIXED_KNIFE	FOR TURKEY			1
4	40066644	HEAD_COVER				1
5	TA0550604R0	RUBBER PLUG	FOR UT42			1
6	40038326	SOLENOID_BRACKET_PIN	FOR UT42			1
7	SK3451600SC	WOOD SCREW D=4.5 L=16				2
8	13442058	AIR_BLOW_TUBE_ASSY	FOR UT45,UT45A			1
9	SM4040655SP	SCREW M4 L=6	FOR UT45,UT45A			2
10	PJ032526001	HOSE NIPPLE	FOR UT45,UT45A			1
11	EA9500B0100	CABLE BAND	FOR UT45,UT45A			4
12	40018052	FILTER_REGULATOR_ASSY	FOR UT45,UT45A			1
13	PF0552070C0	FILTER GEGULATOR		*		1
14	F1021003000	HOSE JOINT		*		1
15	PJ301065201	HALF UNION 6XPT1/4		*		1

HOW TO MAKE USE OF THIS PARTS LIST

- 1.As to "#01" and "#02" refer to the "Note" given at the bottom of the respective pages.
- 2.Codes on the "Qty" column
 - Each numeral indicates the number of parts required.
 - "0.1" and "2.5" indicate the length (in meters) of the respective parts.
- 3.Parentheses mean that the corresponding part is a subpart that constructs an assembly part.
- 4.Dotted lines on the Figures indicate assembly parts.

1. リストページの# 0 1、# 0 2の印は、ページ下の"注記"の説明を参照下さい。
2. 数量欄の数字は、個数を表し、0. 1、2. 5等の数値は、長さ（単位メートル）を表します。
3. 数量欄の（ ）は、組部品を構成している子部品であることを意味します。
4. イラストページの-----枠は、組構成であることを意味します。

ALL PARTS NOT MENTIONED IN THIS PARTS LIST ARE SAME AS THOSE OF
MODEL MF-7200D. OTHER PARTS LIST RELATED TO THIS MODEL.
*MF-7200D (NO.1542 PART NO.40086320)

このパーツリスト記載以外の部品はMF-7200Dと共通です。
この機種に関連するパーツリストとして下記のパーツリストがあります。
* MF-7200D (NO.1542 品番40086320)

NUMERICAL INDEX OF PARTS

PART NO	PAGE	REF NO.	PART NO	PAGE	REF NO.	PART NO	PAGE	REF NO.
13138201	4	20	13458302	20	10	40038259	10	56
13140504	4	23	13458401	16	19	40038326	22	6
13316302	22	1	13458401	18	13	40038380	10	55
13340203	4	11	13458401	20	13	40039669	8	32
13340302	4	12	13458500	20	15	40039670	8	27
13340500	4	25	13458609	20	21	40040271	8	22
13340609	4	17	13458708	20	20	40040661	10	52
13340708	4	18	13459300	18	5	40040662	8	30
13341607	4	16	13459300	20	5	40042362	4	19
13440409	6	21	22901805	10	53	40042363	4	13
13442058	22	8	22901805	12	34	40042364	4	24
13442504	12	9	40018052	22	12	40042365	4	22
13442603	12	19	40018079	12	1	40042366	4	21
13442702	8	35	40021279	18	1	40042567	8	40
13442702	12	20	40021746	10	65	40050569	18	21
13442801	12	28	40021746	12	8	40050570	18	20
13442900	8	42	40024097	8	36	40058211	18	18
13442900	12	22	40024101	8	46	40060754	20	1
13443007	8	44	40024103	16	5	40065510	20	18
13443007	12	24	40026848	8	31	40065784	4	15
13443106	10	50	40026935	8	23	40065785	4	5
13443106	12	26	40027211	14	61	40066136	4	10
13443205	10	48	40027213	14	62	40066644	22	4
13443205	12	32	40029002	16	29	40069703	12	41
13443304	10	61	40029003	16	25	40070110	6	22
13443304	12	37	40029004	16	3	40072396	12	10
13443601	8	41	40029004	18	15	40086274	6	3
13443601	12	21	40029004	22	3	40086275	6	4
13443700	12	29	40029005	16	4	40086276	6	5
13455001	12	3	40029006	16	6	40086277	6	7
13455100	8	12	40029007	16	7	40086278	6	8
13455100	12	4	40029008	16	8	40086279	6	9
13456009	4	31	40029010	16	11	40086280	6	10
13456108	4	8	40029011	16	18	40086281	6	6
13456207	4	29	40029012	16	20	40086282	6	11
13456405	4	2	40029013	16	21	40086286	6	13
13456553	4	1	40029821	16	1	40086287	6	2
13456603	4	28	40030477	8	1	40086288	6	36
13458005	18	17	40030478	8	2	40086289	6	35
13458005	20	17	40030482	8	21	40086290	6	14
13458104	18	19	40032444	8	3	40086292	6	16
13458104	20	19	40032445	8	4	40086293	6	17
13458203	18	8	40032446	8	13	40086294	6	18
13458203	20	8	40032447	8	10	40086295	6	19
13458302	18	10	40032703	8	9	40086296	6	20

NUMERICAL INDEX OF PARTS

PART NO	PAGE	REF NO.	PART NO	PAGE	REF NO.	PART NO	PAGE	REF NO.
40086298	6	23	PA0602006A0	20	2	SM4850455SP	20	16
40086299	6	24	PA2001802A0	12	17	SM6020350SP	6	33
40086300	6	25	PA2503004A0	12	2	SM6030500SN	22	2
40086301	6	26	PC010508000	12	18	SM6040600SP	16	13
40086302	6	27	PC010508000	18	3	SM6040650TP	6	38
40086303	6	28	PC010508000	20	3	SM6040802TN	8	47
40086304	6	1	PC012401000	14	54	SM6040802TN	18	22
40086308	6	12	PF0552070C0	22	13	SM6040802TN	20	22
40093265	2	1	PJ025100002	12	14	SM6040802TP	12	31
40093266	2	2	PJ032526001	22	10	SM6040860TP	6	37
40093350	2	16	PJ301065201	22	15	SM6041000SP	16	14
40093353	2	4	PJ304040504	18	4	SM6041002TN	16	26
40093368	2	5	PJ304040504	20	4	SM6041002TP	16	15
40093372	2	3	PJ304045102	12	5	SM6041200SP	16	23
40094224	2	14	PJ304065101	12	13	SM6041202TN	16	28
40094442	2	15	PJ308040006	14	53	SM6041202TP	10	62
B1515210D00	8	33	PV035161000	12	11	SM6041202TP	12	38
B2008372000	4	14	PV150103200	12	15	SM6050802TP	12	42
B3121804000	4	26	PX055104000	12	12	SM6051002TP	8	43
BT0400251EB	12	44~52	PX500014000	12	35	SM6051002TP	12	23
BT0400251EB	14	44~52	RE0300000K0	4	4	SM6061002TP	14	60
BT0600401EB	12	43	SD0700706TP	10	64	SM6061010TP	8	25
CM300200001	16	2	SD0700706TP	12	39	SM6061200SP	8	14
CS0800881TP	8	38	SK3451600SC	22	7	SM6061202TP	8	45
EA9500B0100	14	58	SL6052592TN	2	6	SM6061202TP	12	25
EA9500B0100	22	11	SM1020450TP	6	29	SM6061400SP	8	18
F1021003000	22	14	SM4030855SN	8	16	SM6061400SP	12	7
GAK3303600A	8	8	SM4031001SN	12	36	SM6061602TP	10	57
HX00150000B	14	64	SM4040501SN	14	63	SM6081802TP	2	9
HX00150000D	10	59	SM4040655SP	2	7	SM6085002TP	2	10
HX003140000	14	55·66~ 68	SM4040655SP	4	6	SM8030412TP	4	27
HX00314000A	10	58	SM4040655SP	10	60	SM8030450SP	16	16
HX00314000A	14	55·66~ 68	SM4040655SP	12	65	SM8030450SP	18	11
HX00314000D	14	55·66~ 68	SM4040655SP	14	65	SM8030450SP	20	11
M85186300A0	16	17	SM4040855SP	22	9	SM8040360TP	4	30
NM6030001SD	16	9	SM4040855SP	10	51	SM8050412TP	8	39
NM6030001SD	18	12	SM4041055SP	2	8	SM8050512TP	18	9
NM6030001SD	20	12	SM4041055SP	4	9	SM8050512TP	20	9
NM6040001SP	6	30	SM4041655SP	4	7	SM8050602TP	8	11
NM6040001SP	16	24	SM4041655SP	10	63	SM8060612TP	2	11
NM6050001SP	6	31	SM4043555SP	12	16	SM9040800SN	2	12
NM6080003SC	8	37	SM4050655SP	8	28	TA0550604R0	16	22
PA0602006A0	18	2	SM4051055SP	8	5	TA0550604R0	22	5
			SM4850455SP	16	12	TA0900502R0	6	34
				18	16	WP0420516KH	6	15

NUMERICAL INDEX OF PARTS

PART NO	PAGE	REF NO.
WP0430800SC	12	30
WP0430800SC	18	24
WP0430800SC	20	24
WP0431005SP	6	32
WP0450000SD	2	13
WP0450826SC	8	17
WP0450826SC	16	27
WP0450826SC	18	23
WP0450826SC	20	23
WP0550800SP	8	54
WP0550800SP	10	54
WP0560860SE	8	34
WP0621016SD	8	26
WP0621016SD	12	6
WS0510002KP	8	6
WS0610002KP	8	19
WS0610002KP	14	59
WT0430002KN	12	40