

MODEL : MF-7200D

List No : 1540-00

# PARTS LIST

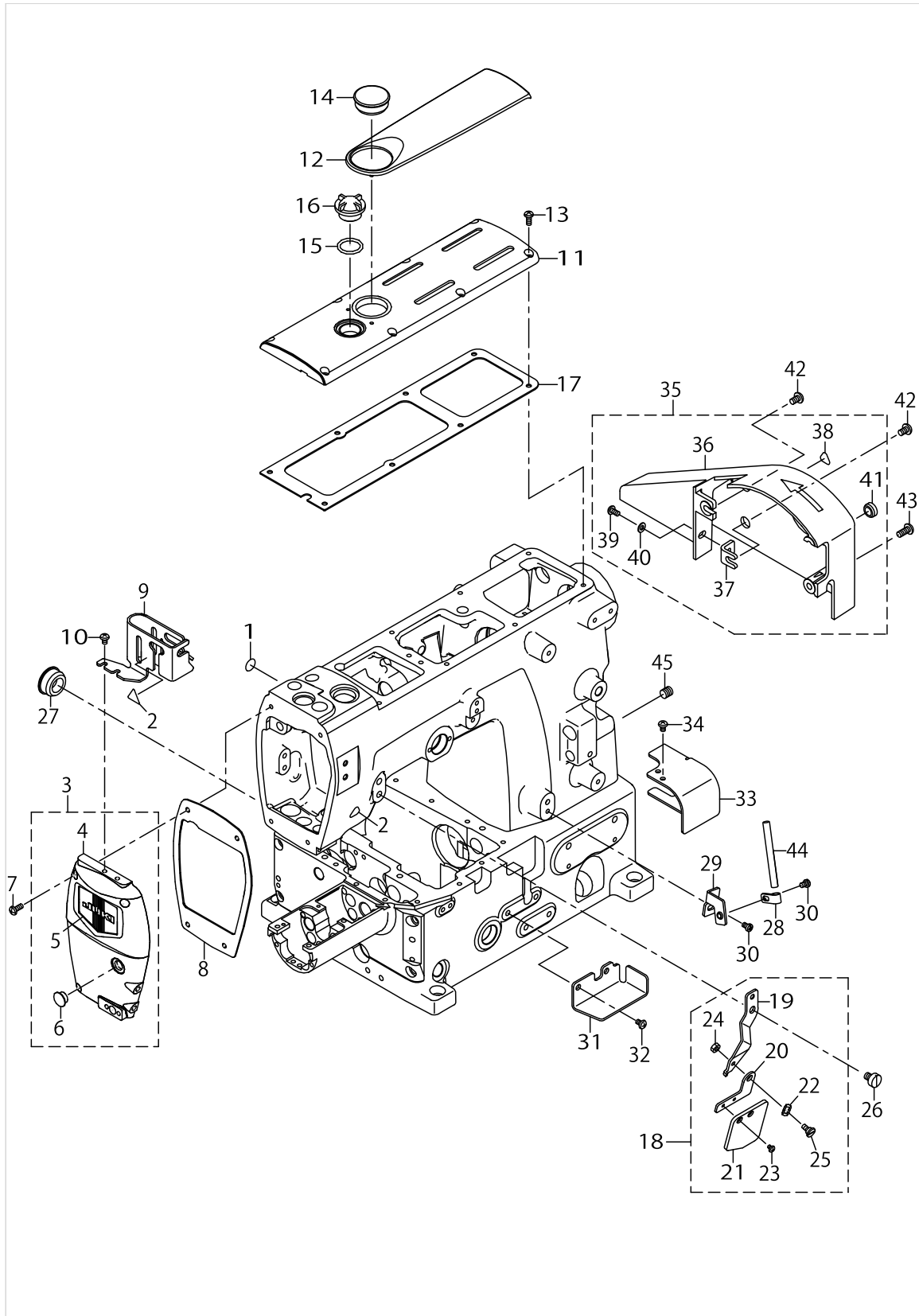
Published:09/10/2017

## CONTENTS

---

FRAME & MISCELLANEOUS COVER COMPONENTS (1) .....	1
FRAME & MISCELLANEOUS COVER COMPONENTS (2) .....	3
MAIN SHAFT COMPONENTS .....	7
NEEDLE BAR & PRESSER COMPONENTS.....	11
FEED DRIVE COMPONENTS (1) .....	15
FEED DRIVE COMPONENTS (2) .....	19
THREAD TAKE-UP LEVER COMPONENTS.....	25
SPREADER COMPONENTS.....	29
LOWER THREAD CAM COMPONENTS.....	31
NEEDLE GUARD COMPONENTS.....	35
LOOPER COMPONENTS .....	37
THREAD TENSION COMPONENTS .....	41
LUBRICATION COMPONENTS .....	43
THREAD STAND COMPONENTS.....	47
GAUGE PARTS COMPONENTS .....	49
ACCESSORIES PARTS COMPONENTS .....	51
HOW TO MAKE USE OF THIS PARTS LIST .....	53

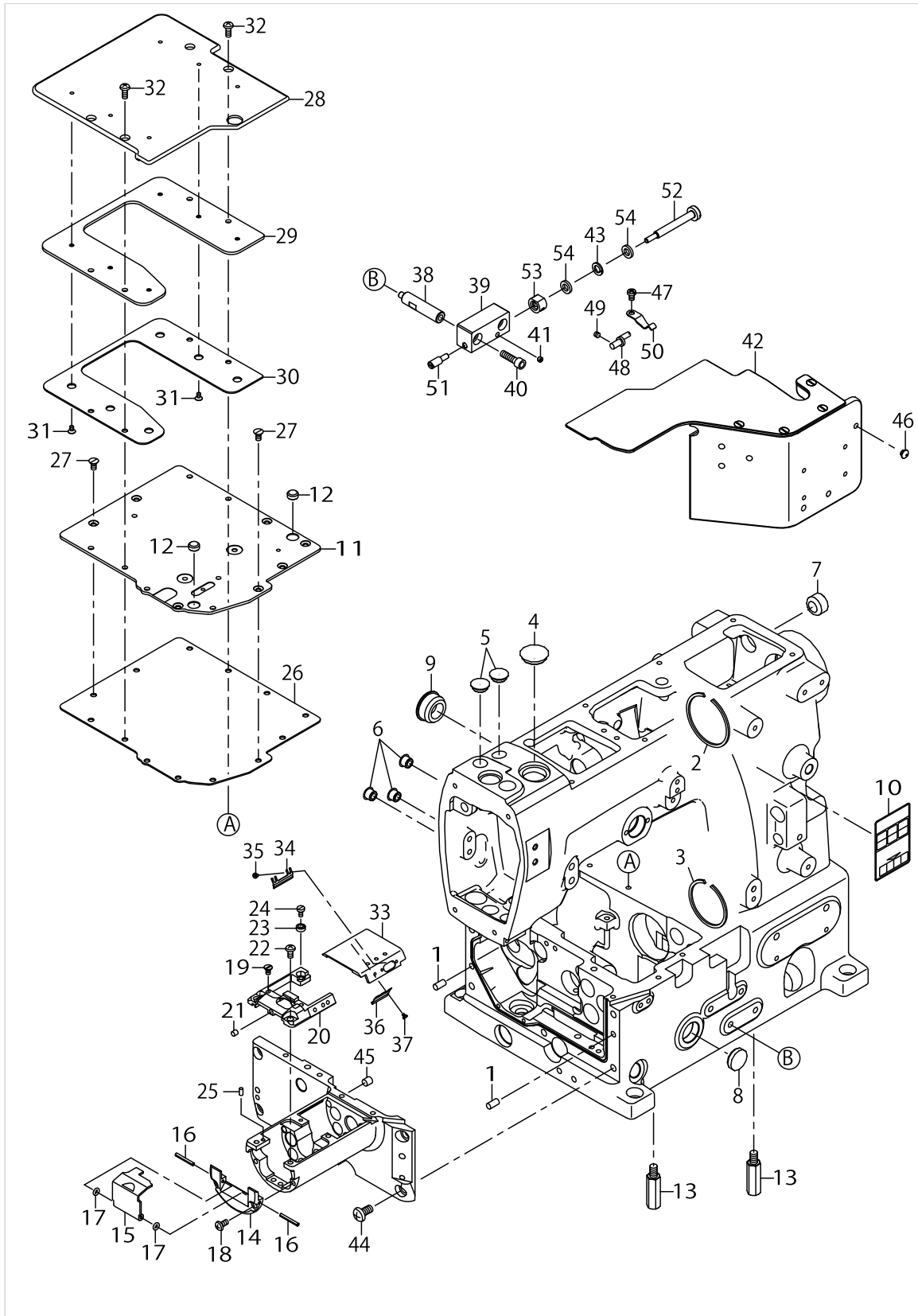
FRAME & MISCELLANEOUS COVER COMPONENTS (1)



FRAME & MISCELLANEOUS COVER COMPONENTS (1)

No.	Parts No.	Parts name	Remarks	Level	Cons	Qty
1	22901805	GROUND MARK				1
2	CM300200001	ATTENTION SEAL				1
3	13300959	ASSY_HEAD_COVER				1
4	13300900	HEAD COVER		*		1
5	22902506	FACE PLATE		*		1
6	TA1050504R0	RUBBER PLUG		*		1
7	SM4041055SP	SCREW				4
8	13301007	GASKET H				1
9	13301304	NEEDLE BAR GUARD				1
10	SM4040655SP	SCREW M4 L=6				2
11	40081954	TOP_COVER_DRY				1
12	40081956	TOP_COVER_PANEL_PRINTING				1
13	SM4041055SP	SCREW				8
14	10753309	WINDOW PLATE RUBBER PLUG				1
15	RO195240100	RUBBER RING				1
16	22924708	OIL SIGHT WINDOW				1
17	13300801	GASKET T				1
18	40033518	PROTECTION_SHIELD_ASSY				1
19	40033340	BRACKET HOLDER		*		1
20	40033341	BRACKET		*		1
21	13301700	PROTECTION SHIELD		*		1
22	WZ0641510KP	WAVED WASHER 6.4X11X0.3		*		1
23	SM4030455SN	SCREW		*		2
24	NM6040001SP	NUT M4X0.7		*		1
25	SD0640246SP	HINGE SCREW D=6.35 H=2.4		*		1
26	SM6060800SP	SCREW M6 L=8				1
27	TA2351004R0	RUBBER PLUG				1
28	40074338	EYELET_TUBE HOLDER				1
29	40086143	THREAD_GUIDE_BRACKET				1
30	SM4040655SP	SCREW M4 L=6				2
31	40085973	COVER				1
32	SM4050655SP	SCREW M5 L=6				2
33	40086125	BELT_COVER				1
34	SM4040655SP	SCREW M4 L=6				2
35	40086336	DRIVING_BELT_COVER_ASSY	ACCESSORIES PARTS			1
36	40086334	DRIVING_BELT_COVER		*		1
37	40086335	BELT_COVER_PLATE		*		1
38	CM300200001	ATTENTION SEAL		*		1
39	SM4040855SP	SCREW		*		1
40	WP0430801SC	WASHER 4.3X9X0.8		*		1
41	TA1270502R0	RUBBER PLUG		*		1
42	SM4050855SP	SCREW	ACCESSORIES PARTS			2
43	SM4051255SP	SCREW.,M5 L=12.	ACCESSORIES PARTS			1
44	D3105481D00	LOOPER THREAD GUIDE				1
45	SM8080812TP	SCREW M8X8				3

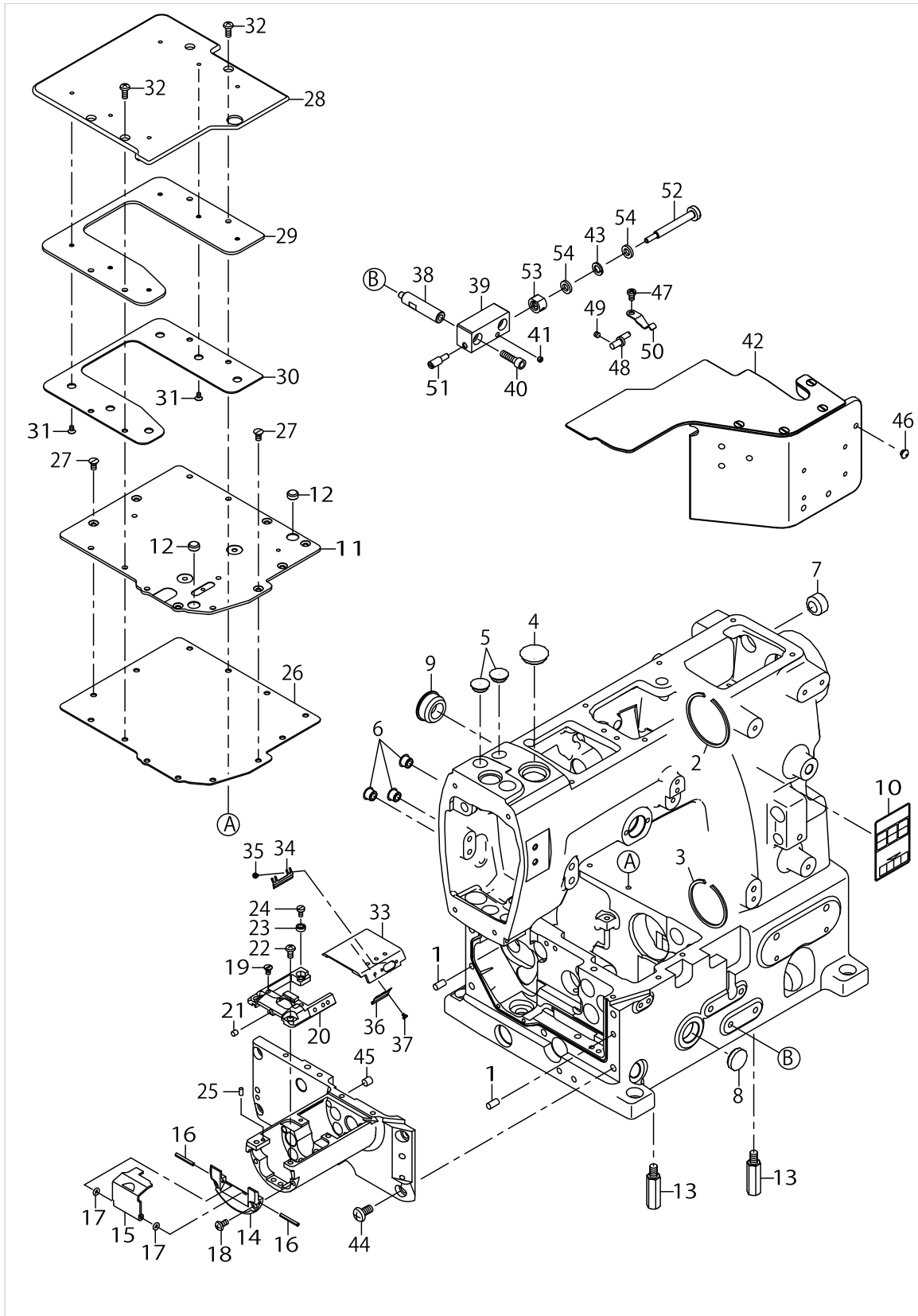
FRAME & MISCELLANEOUS COVER COMPONENTS (2)



FRAME & MISCELLANEOUS COVER COMPONENTS (2)

No.	Parts No.	Parts name	Remarks	Level	Cons	Qty
1	12219705	PIN				2
2	RC4881514KP	C-RING				1
3	RC4381514KP	C-RING				1
4	TA2050406R0	RUBBER PLUG				1
5	TA1250406R0	RUBBER PLUG D=12.5 L=4				2
6	TA0850604R0	RUBBER PLUG				3
7	TA1701002R0	RUBBER PLUG				1
8	TA1900502R0	RUBBER PLUG				1
9	TA2351004R0	RUBBER PLUG				1
10	CM301200001	SAFETY LABEL_S				1
11	40086287	COVER_PLATE				1
12	TA0900502R0	PLUG D=9 L=4.5				2
13	13301809	SUPPORT STUD				4
14	40085967	CYLINDER_COVER_A				1
15	40085969	SIDE_COVER				1
16	PS0250202KH	SPRING PIN 2.5X20				2
17	RO029180100	RUBBER RING				2
18	SM4040855SP	SCREW				2
19	13302203	SCREW				2
20	40085971	THROAT_PLATE_SUPPORT				1
21	MAL01129000	MAGNET				1
22	SM4040855SP	SCREW				2
23	40085970	ADJUSTING_COLLAR				1
24	SM6030600SP	SCREW M3X0.5 L=6				1
25	PH0300062C0	PIN				1
26	40085988	GASKET				1
27	SM1040860SP	SCREW				7
28	40086002	CLOTH_PLATE_REAR				1
29	40085977	CLOTH_PLATE_REAR_BOTTOM				1
30	40085984	GASKET_A				1
31	SM1030501SN	SCREW M3 L=5				6
32	SM4041055SP	SCREW				4
33	40085981	CYLINDER_COVER_RIGHT				1
34	40085982	LATCH_SPRING_REAR				1
35	SM6020350SP	SCREW M2 L=2.5				2
36	40085983	LATCH_SPRING_FRONT				1
37	SM6020350SP	SCREW M2 L=2.5				2
38	40085974	STUD				2
39	40086003	HINGE				1
40	SM6051802TP	SCREW M5 L=18				2
41	SM8040360TP	SCREW				1
42	40086006	FRONT_COVER_ASSY				1
43	WS0651310KP	SPRING WASHER 6.5X11X1.3				1
44	SM4061255SP	SCREW M6 L=12				5
45	TA0570601M0	PLUG D=5.7X6.1 L=6				1
46	13302302	RUBBER BUMPER				1
47	SM4040655SP	SCREW M4 L=6				1

FRAME & MISCELLANEOUS COVER COMPONENTS (2)

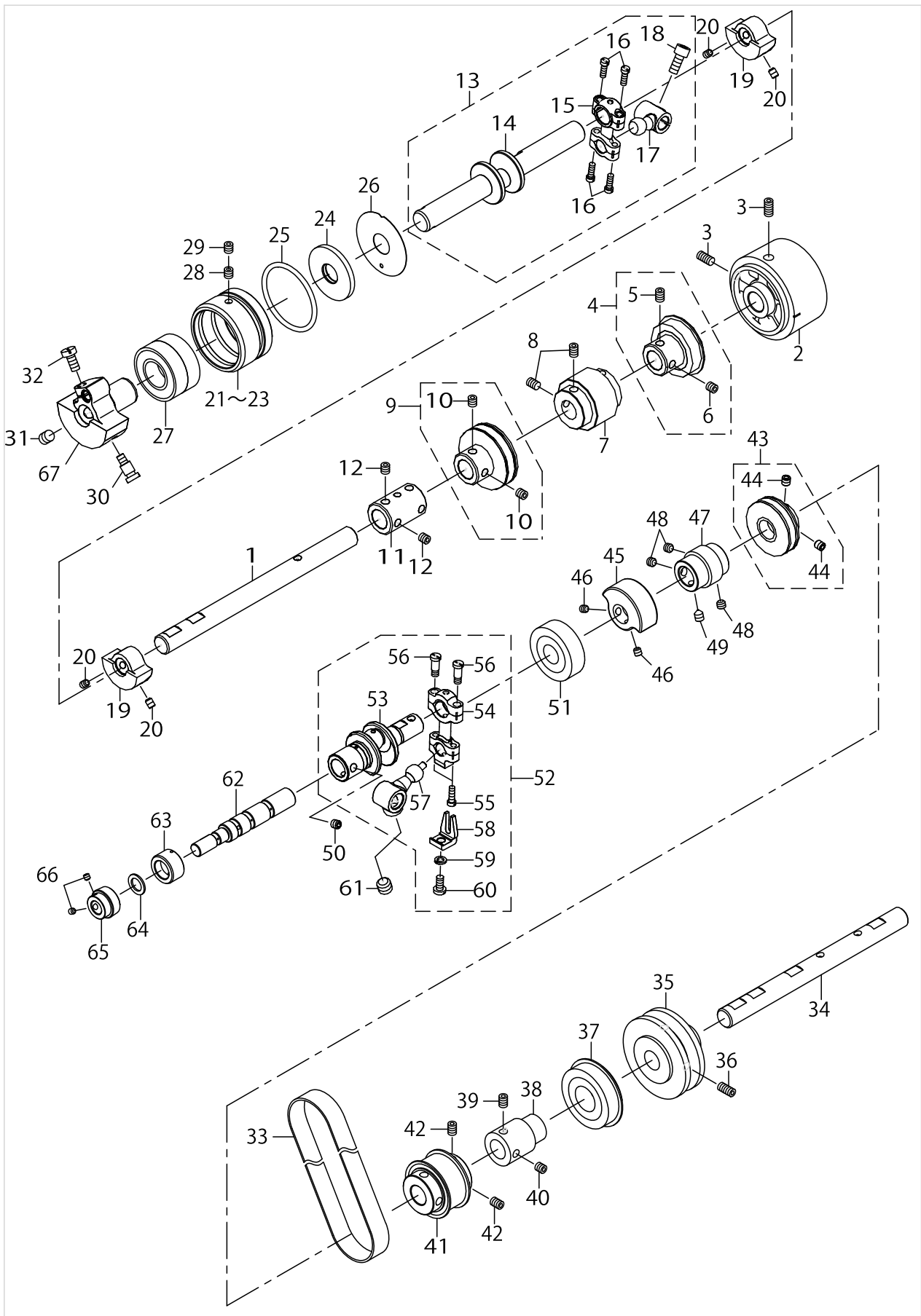


FRAME & MISCELLANEOUS COVER COMPONENTS (2)

No.	Parts No.	Parts name	Remarks	Level	Cons	Qty
48	13402706	PIN FOR COVER				1
49	SM8040360TP	SCREW				1
50	13402003	LATCH SPRING				1
51	13474200	PIN_ROLLER_L				1
52	40085985	FRONT_COVER_SCREW_SHAFT				1
53	CS0640863SH	THRUST COLLAR D=6.35 W=8				1
54	WP0612066SP	WASHER 6.1X11X2				2



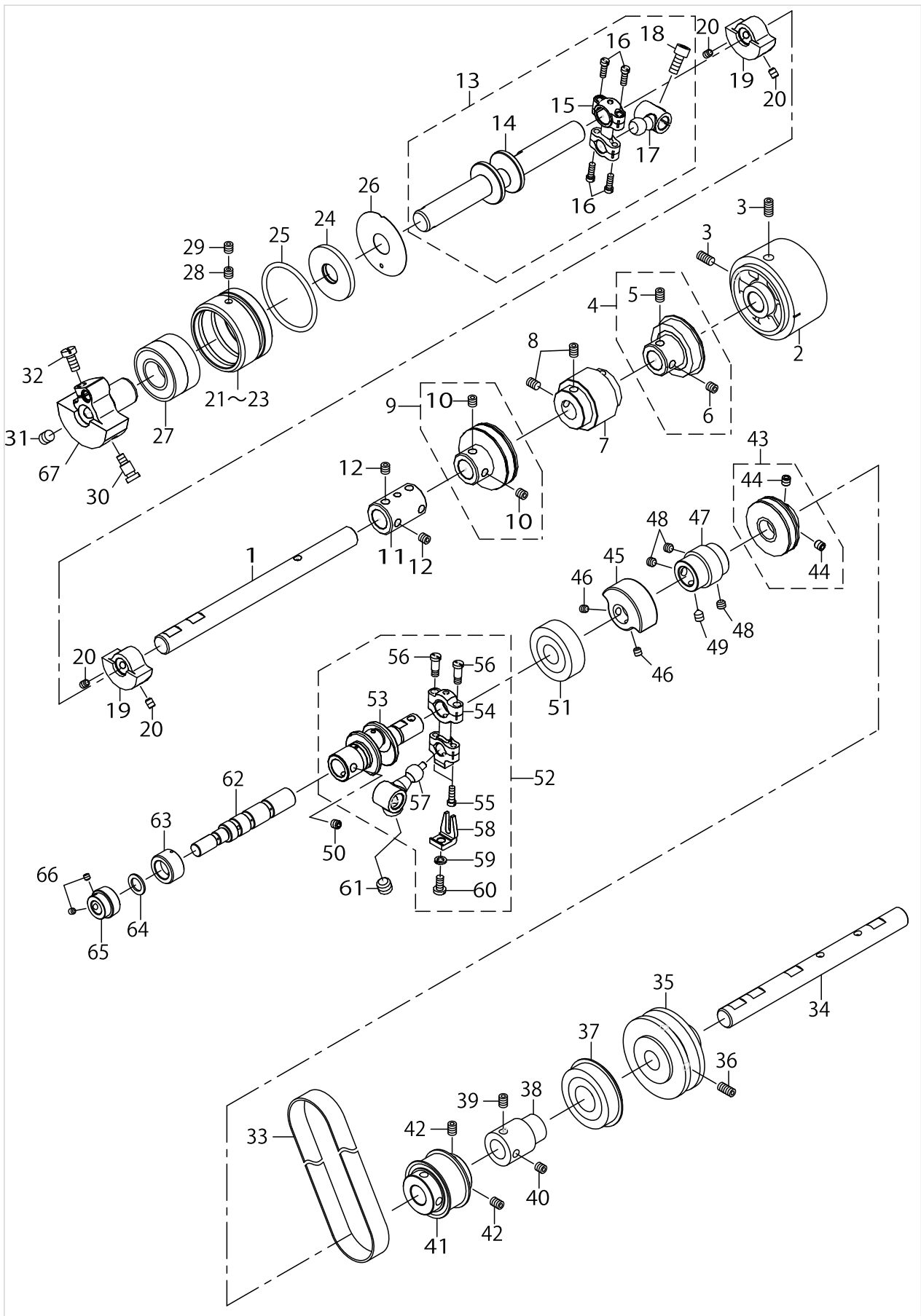
MAIN SHAFT COMPONENTS



MAIN SHAFT COMPONENTS

No.	Parts No.	Parts name	Remarks	Level	Cons	Qty
1	13307004	UPPER MAINSHAFT RIGHT				1
2	13406608	UPPER_PULLEY				1
3	SM8061212TP	SCREW M6X12				2
4	13307251	BEARING ASSY A				1
5	SM8060842TP	SCREW M6 L=8		*		1
6	SM8060612TP	SCREW M6 L=6		*		1
7	13307301	UMS_SPROCKET				1
8	SM8060812TP	SCREW M6 L=8				4
9	13307459	BEARING ASSY B				1
10	SM8060612TP	SCREW M6 L=6		*		2
11	13307509	JOINT				1
12	SM8060612TP	SCREW M6 L=6				4
13	40078283	UMS_LEFT_ROD_ASSY				1
14	40078284	UPPER_MAINSHAFT_LEFT		*		1
15	13324009	ROD		*		1
16	13324108	SCREW		*		4
17	13324207	CRANK		*		1
18	SM6061402TP	SCREW M6 L=14		*		1
19	13408307	BALANCE_WEIGHT_UMS				2
20	SM8060812TP	SCREW M6 L=8				4
21	40078278	HOUSING_A				1
22	40078279	HOUSING_B				1
23	40078280	HOUSING_C				1
24	40078282	OIL SEAL				1
25	RO445300100	RUBBER RING				1
26	40081965	OIL_BLOCK_PLATE				1
27	SB120001900	BEARING				1
28	SM8060842TP	SCREW M6 L=8				1
29	SM8060612TP	SCREW M6 L=6				1
30	13309208	SCREW_FOR_COUNTERWEIGHT				1
31	SM8080812TP	SCREW M8X8				1
32	SM6061200SP	SCREW				1
33	13406905	TIMING_BELT				1
34	40086009	LOWER_MAINSHAFT_RIGHT				1
35	13406707	LOWER_PULLEY				1
36	SM8061212TP	SCREW M6X12				2
37	SB120002300	BEARING				1
38	13309109	COUPLING_F				1
39	SM8060842TP	SCREW M6 L=8				1
40	SM8060612TP	SCREW M6 L=6				1
41	13308309	LMS SPROCKET				1
42	SM8060812TP	SCREW M6 L=8				4
43	13407457	BEARING_ASSY_E				1
44	SM8060612TP	SCREW M6 L=6		*		2
45	13408505	BALANCE_WEIGHT_LMS_2				1
46	SM8050512TP	SCREW				2
47	40086014	JOINT_GEAR				1

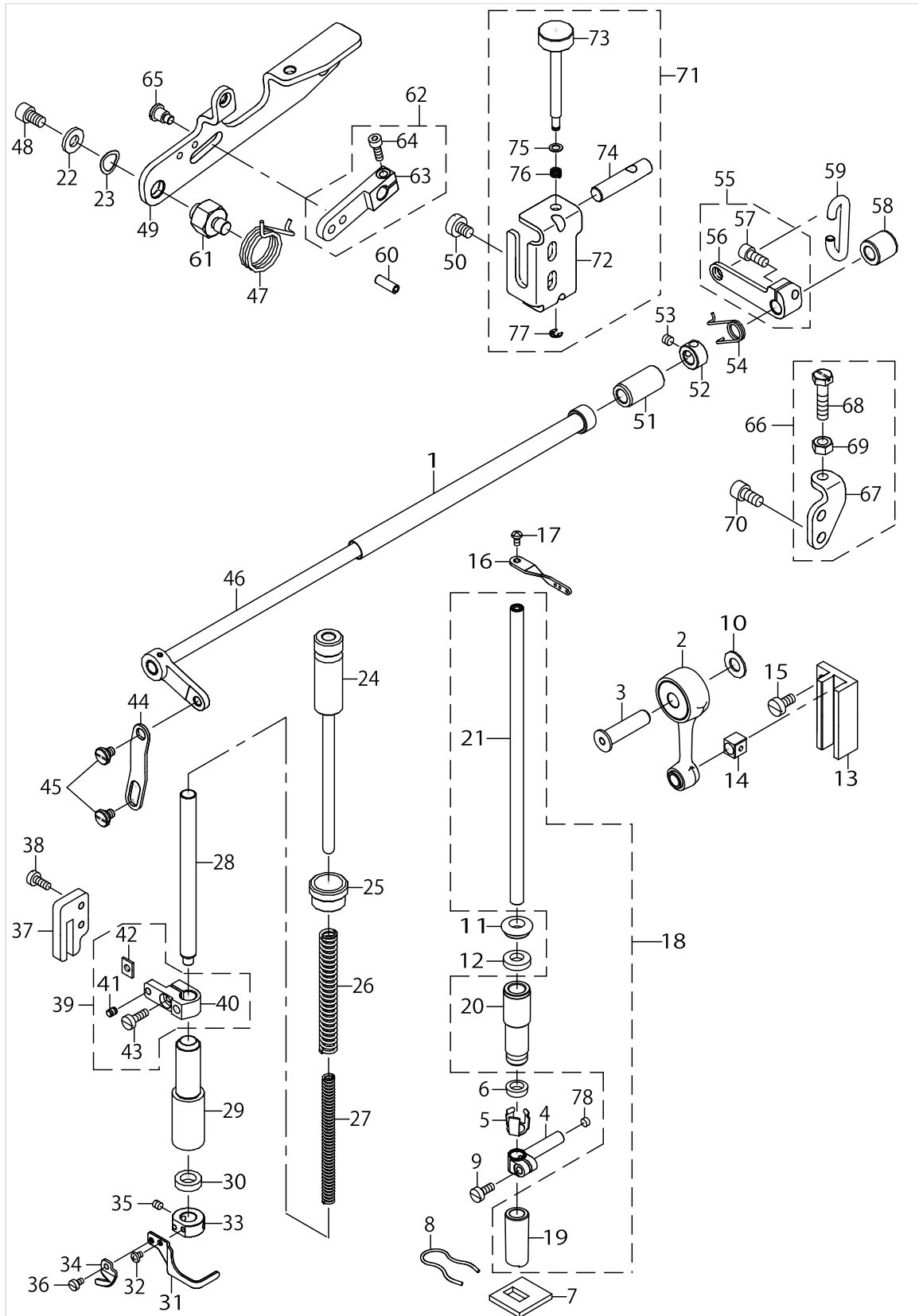
# MAIN SHAFT COMPONENTS



MAIN SHAFT COMPONENTS

No.	Parts No.	Parts name	Remarks	Level	Cons	Qty
48	SM8060552TP	SCREW M6 L=5				3
49	SM8060842TP	SCREW M6 L=8				1
50	SM8060552TP	SCREW M6 L=5				2
51	SB115002300	BEARING				1
52	13407259	CRANK_JOINT_ROD_ASSY				1
53	13407200	CRANK JOINT		*		1
54	13424205	ROD		*		1
55	13324108	SCREW		*		2
56	SD0550906TP	SHOULDER SCREW		*		2
57	13424106	CRANK		*		1
58	13337100	GUIDE LOOPER ROD		*		1
59	WS0510002KP	SPRING WASHER 5.1X9.2X1.3		*		1
60	SM4051055SP	SCREW		*		1
61	SM8550952TP	SCREW				1
62	40086011	MAIN_SHAFT_LEFT				1
63	40086010	BUSHING_MAINSHAFT				1
64	10111003	THRUST WASHER 1.2				1
65	40086015	FEED_DRIVE_GEAR				1
66	SM8040412TP	SET SCREW M4 L=4				2
67	40078277	COUNTER_WEIGHT				1

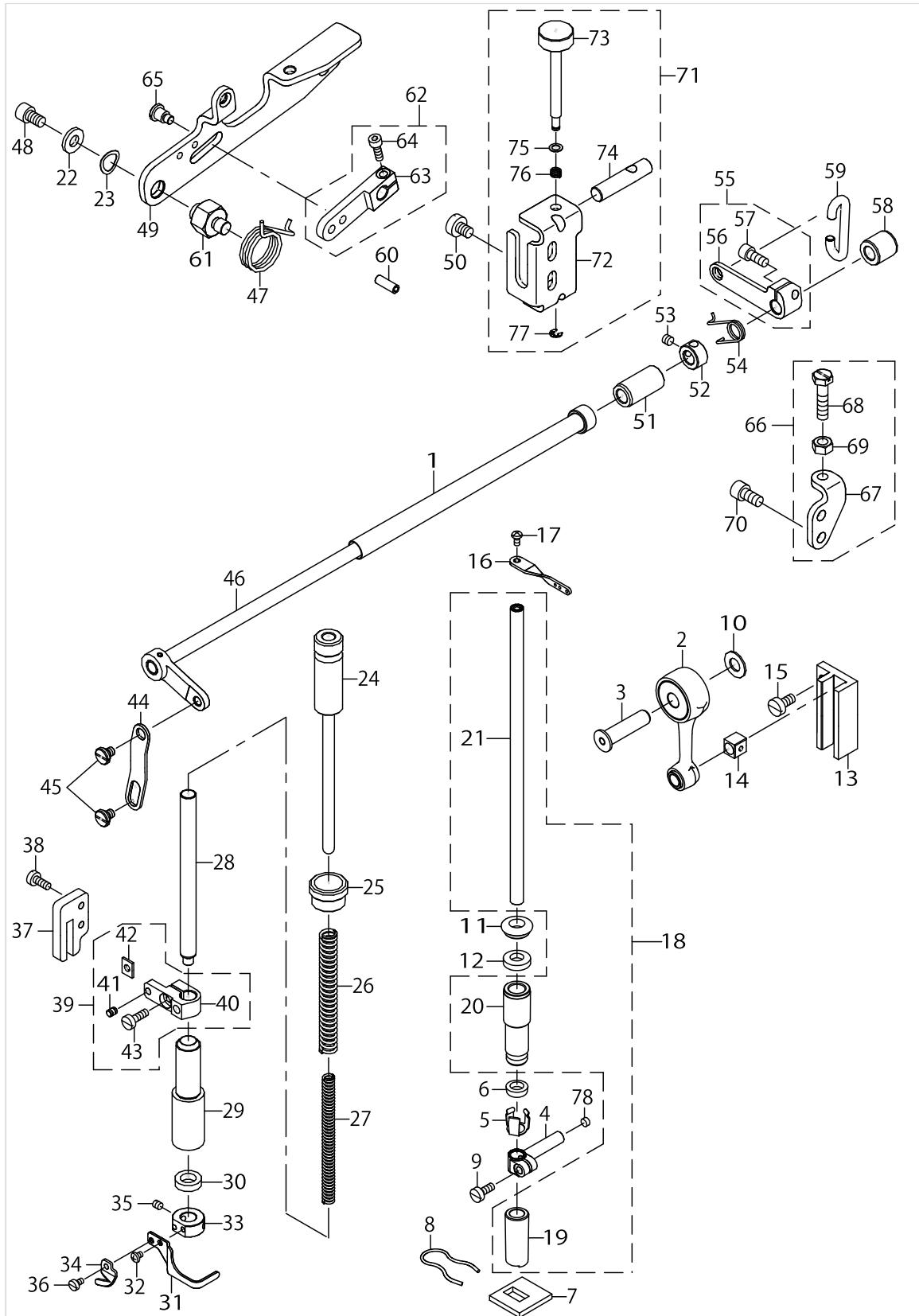
# NEEDLE BAR & PRESSER COMPONENTS



NEEDLE BAR & PRESSER COMPONENTS

No.	Parts No.	Parts name	Remarks	Level	Cons	Qty
1	40078320	PIPE_ASSY				1
2	40078285	ASSY_NEEDLE_CRANK_ROD				1
3	40078290	NEEDLE_CRANK				1
4	40078292	NEEDLE_BAR_CLAMP				1
5	40078306	BUSHING_NB_U_PRESSER_B				1
6	40078303	BUSHING_NB_U_FELT_B			☆	1
7	40078301	BUSHING_NB_L_FELT				1
8	40078304	BUSHING_NB_L_PRESSER				1
9	SM6041000SP	SCREW M4 L=10				1
10	40078291	WASHER				1
11	40078305	BUSHING_NB_U_PRESSER_A			☆	1
12	40078302	BUSHING_NB_U_FELT_A			☆	1
13	40078294	NEEDLE_BAR_GUIDE				1
14	40078295	SLIDE_BLOCK_A				1
15	SM6051000SP	SCREW				3
16	13326806	NEEDLE BAR EYELET				1
17	SM4030655SP	SCREW				1
18	40078317	ASSY BUSHING NB DRY			☆	1
19	40078299	BUSHING_NB_LOWER		*	☆	1
20	40078300	BUSHING_NB_UPPER		*	☆	1
21	40078296	NEEDLE BAR ASSY DRY		*	☆	1
22	WP0702026SP	WASHER 7X15X2				1
23	WZ1052010KP	WAVED WASHER				1
24	40070573	ADJ SCREW P B ASSY				1
25	13313101	LOCKING NUT				1
26	13313309	SPRING PRESSER BAR A				1
27	13313408	SPRING PRESSER BAR B				1
28	40070559	PRESSER BAR				1
29	13313705	BUSHING PRESSER BAR				1
30	13315908	OIL SEAL				1
31	40018259	FINGER_GUARD				1
32	SM4030455SP	SCREW				1
33	13313606	COLLAR				1
34	13316302	THREAD_TRIMMER				1
35	SM8040410TP	SCREW				2
36	SM6030500SN	SCREW M3 L=5				1
37	13313804	GUIDE PLATE				1
38	SM6041000SP	SCREW M4 L=10				2
39	13313952	P_B_BRACKET_ASSY				1
40	13313903	PRESSER BAR BRACKET		*		1
41	13316203	P_B_BRACKET_PIN		*		1
42	13333208	WASHER		*		1
43	SM6041200SP	SCREW M4 L=12		*		1
44	13314109	LINK				1
45	SD0700206TP	SHOULDER SCREW				2
46	40078307	ASSY_LIFTER_SHAFT_DRY				1
47	13315205	SPRING LIFTER LEVER				1

# NEEDLE BAR & PRESSER COMPONENTS

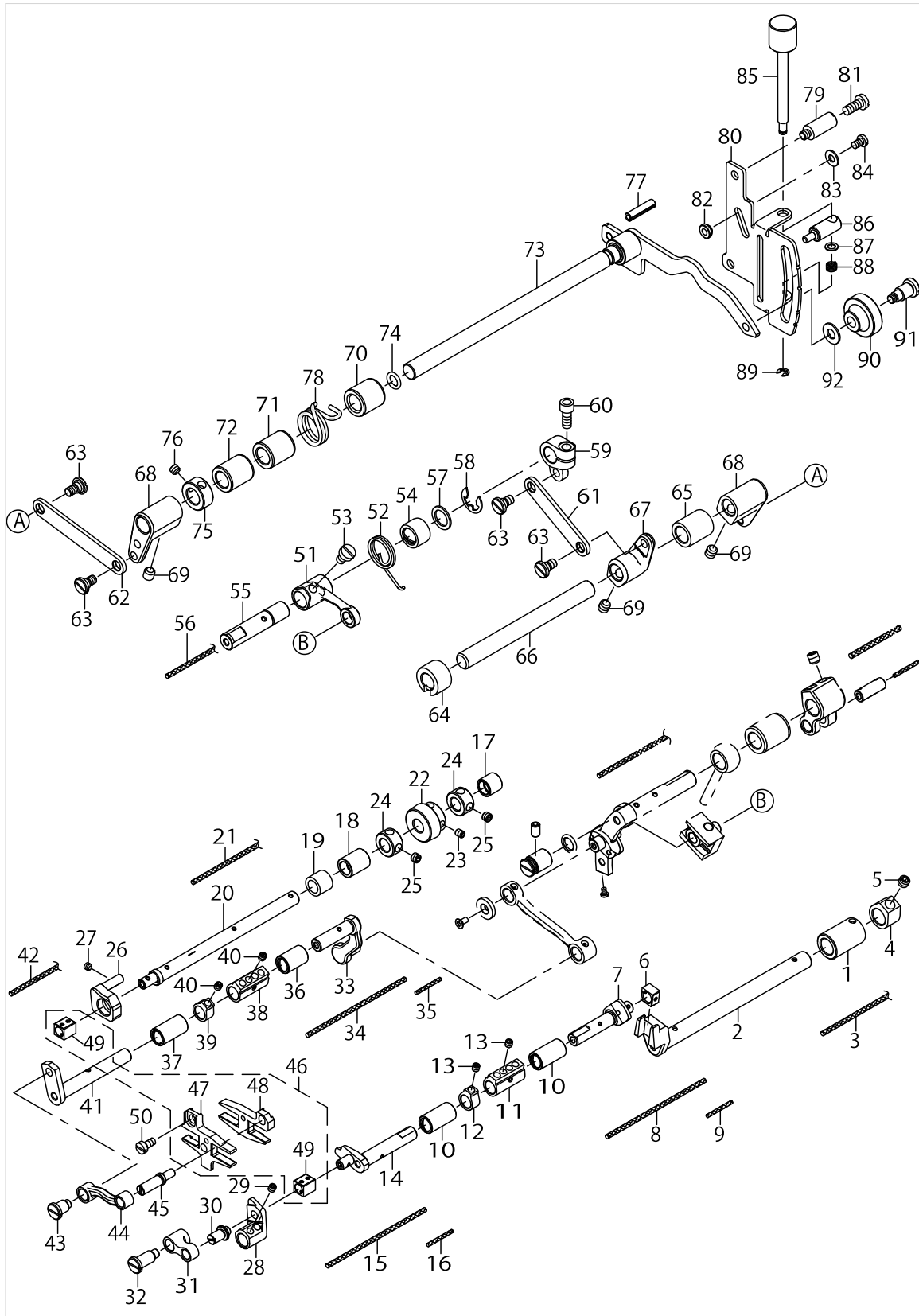


NEEDLE BAR & PRESSER COMPONENTS

No.	Parts No.	Parts name	Remarks	Level	Cons	Qty
48	SM6061002TP	SCREW M6 L=10				1
49	13315007	LIFTER LEVER				1
50	SM6060800SP	SCREW M6 L=8				1
51	13314406	BUSHING LIFTER FRONT				1
52	CS0800881TP	THRUST COLLAR				1
53	SM8050412TP	SCREW M5 L=4				2
54	13314802	SPRING PF LIFT				1
55	13314752	LIFTER_SHAFT_LEVER_ASSY				1
56	13314703	LIFTER SHAFT LEVER		*		1
57	SM6051202TP	SCREW M5X0.8 L=12		*		1
58	13314505	BUSHING LIFTER REAR				1
59	13314901	LIFTER HOOK				1
60	PS0500142KP	SPRING PIN				1
61	13315106	LIFTER LEVER HOLDER				1
62	13315353	TENS_RELEASE_LEVER_ASSY				1
63	13315304	TENSION RELEASE LEVER		*		1
64	SM6041202TP	SCREW M4X0.7 L=12		*		1
65	SD0700586TP	SHOULDER SCREW				1
66	13315551	STOPPER_ASSY				1
67	13315502	LIFTER LEVER STOPPER		*		1
68	SM9062550TP	SCREW		*		1
69	NM6060001CP	NUT M6		*		1
70	SM6061202TP	SCREW M6 L=12				2
71	13315650	MINUTE_LIFTING_ASSY				1
72	13315601	BRACKET		*		1
73	13315700	SCREW		*		1
74	13315809	SLIDER		*		1
75	WP0460556SD	WASHER 4.6X7.5X0.5		*		1
76	13123302	ADJUSTING SPRING		*		1
77	RE0300000K0	E-RING 3		*		1
78	40078293	PLUG4.6				1



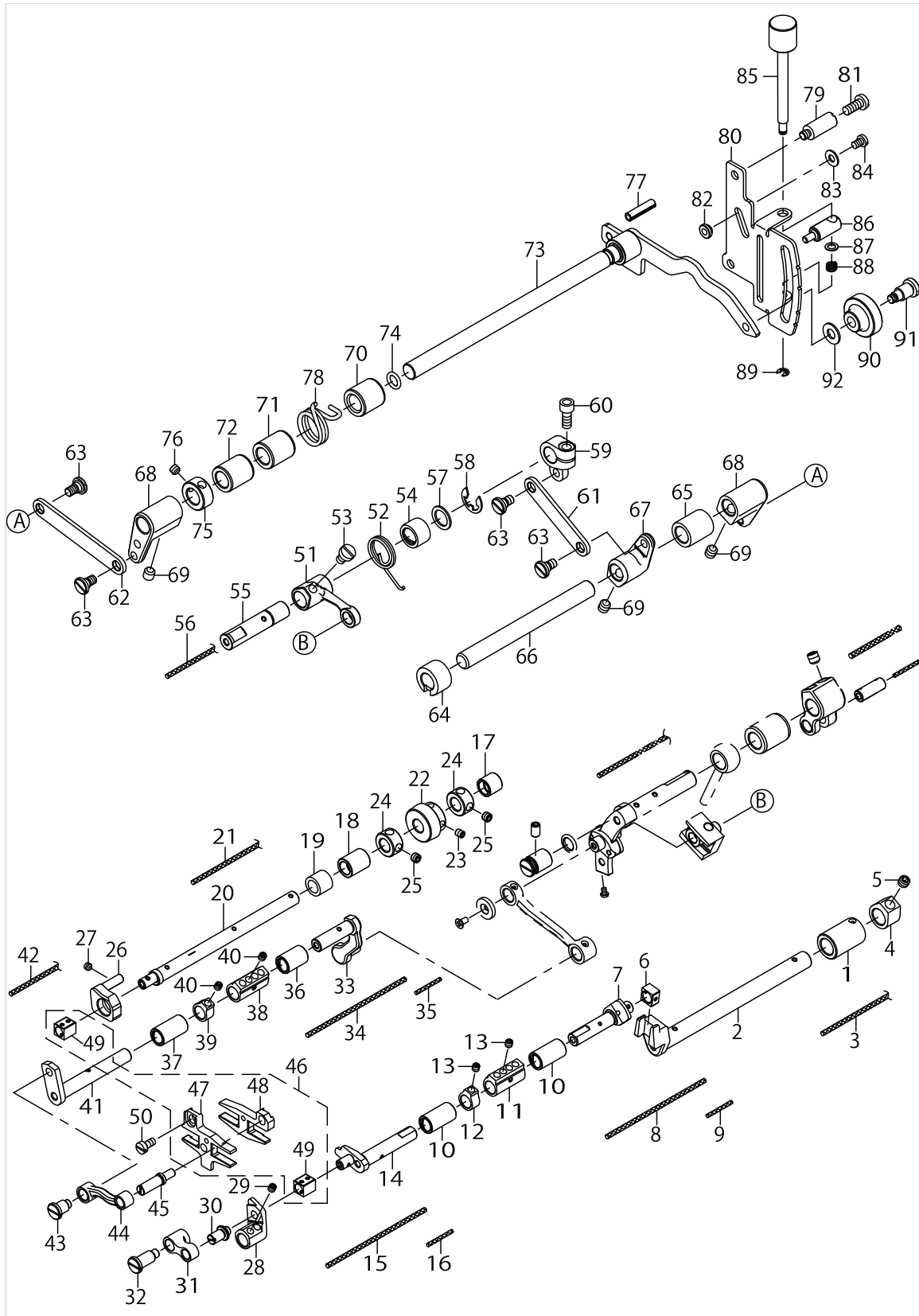
FEED DRIVE COMPONENTS (1)



FEED DRIVE COMPONENTS (1)

No.	Parts No.	Parts name	Remarks	Level	Cons	Qty
1	40086057	BUSHING_LEFT				1
2	40086074	FEED_LIFT_SHAFT_RIGHT				1
3	CQ252000000	OIL WICK				0.25
4	40086046	COLLAR				1
5	SM8060552TP	SCREW M6 L=5				1
6	40086076	LIFTER_SLIDER_BLOCK				1
7	40086071	FEED_LIFT_SHAFT_FRONT_R				1
8	CQ252000000	OIL WICK				0.08
9	CQ200000000	OIL WICK				0.02
10	40086051	BUSHING_FEED_CYLINDER_BED				2
11	40086085	JOINT				1
12	40086073	COLLAR				1
13	SM8040412TP	SET SCREW M4 L=4				5
14	40086062	FEED_LIFT_SHAFT_FRONT_L				1
15	CQ252000000	OIL WICK				0.11
16	CQ200000000	OIL WICK				0.03
17	40086064	BUSHING_LIFTER_REAR_RIGHT				1
18	40086066	BUSHING_LIFTER_REAR				1
19	GBR01166000	NEEDLE BEARING 1				1
20	40086021	FEED_REAR_SHAFT				1
21	CQ252000000	OIL WICK				0.25
22	40086016	FEED_DRIVEN_GEAR				1
23	SM8040512TP	SCREW				2
24	CS0800881TP	THRUST COLLAR				2
25	SM8050412TP	SCREW M5 L=4				4
26	40086026	FEED_BAR_GUIDE				1
27	SM8040312TP	SCREW M4 L=3				1
28	40086055	MAIN_FEED_SHAFT_LEVER				1
29	SM8040412TP	SET SCREW M4 L=4				2
30	40086039	MAIN_FEED_PIN				1
31	40086053	MAIN_FEED_LINK				1
32	SD0701186TH	SHOULDER SCREW D=7 H=11.8				1
33	40086054	DIFF_FEED_SHAFT_RIGHT				1
34	CQ252000000	OIL WICK				0.08
35	CQ200000000	OIL WICK				0.02
36	40086063	BUSHING_FEED_CYLINDER_BED				1
37	40086051	BUSHING_FEED_CYLINDER_BED				1
38	40086085	JOINT				1
39	40086073	COLLAR				1
40	SM8040412TP	SET SCREW M4 L=4				5
41	40086056	DIFF_FEED_SHAFT_LEFT				1
42	CQ252000000	OIL WICK				0.12
43	SD0700716TH	SHOULDER SCREW D=7 H=7.1				1
44	40086084	DIFF_FEED_LINK				1
45	40086081	DIFF_FEED_DOG_PIN			☆	1
46	40086091	FEED_BAR_ASSY			☆	1
47	40086052	MAIN_FEED_BAR		*	☆	1

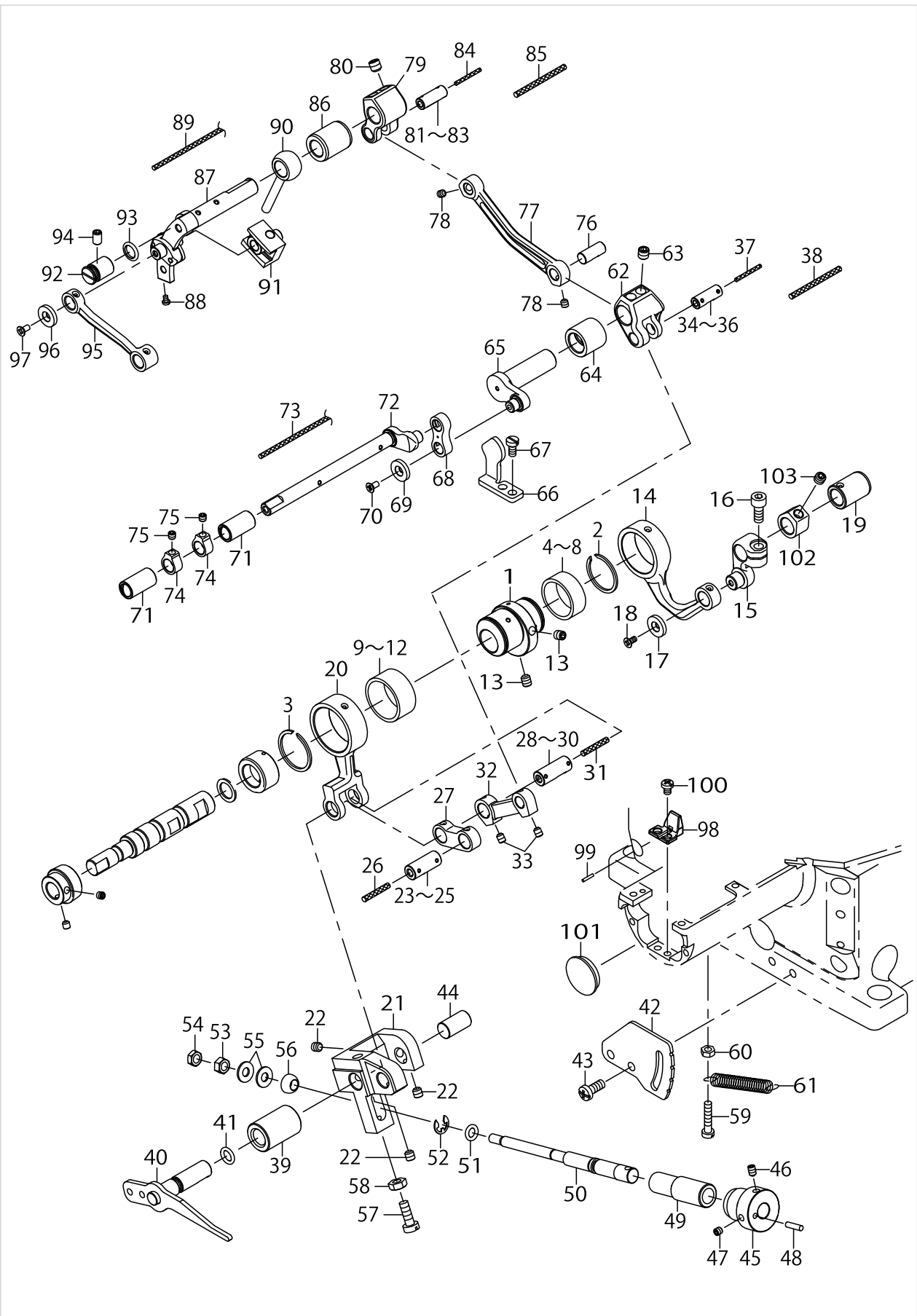
FEED DRIVE COMPONENTS (1)



FEED DRIVE COMPONENTS (1)

No.	Parts No.	Parts name	Remarks	Level	Cons	Qty
48	40086058	DIFF_FEED_BAR		*	☆	1
49	40086038	SLIDER_BLOCK		*	☆	2
50	SM6040800SP	SCREW				1
51	40086079	DIFF_FEED_ADJUST_LEVER				1
52	40086089	SPRING				1
53	SM6050800SP	SCREW M5 L=8				1
54	40086019	BUSHING_DIFF_FEED_ADJUST_SHAFT				1
55	40086047	DIFF_FEED_ADJUST_SHAFT				1
56	CQ252000000	OIL WICK				0.15
57	WP1021026SH	WASHER				1
58	RE0800000K0	E-SHAPED SNAP RING (8MM)				1
59	40086037	DIFF_FEED_ADJUST_LEVER_2				1
60	SM6051202TP	SCREW M5X0.8 L=12				1
61	40086030	DIFF_ADJUST_LINK2				1
62	40086028	DIFF_ADJUST_LINK				1
63	31013808	HINGE SCREW				4
64	40086092	BUSHING_DIFF_FEED_ADJUST				1
65	13414701	BUSHING FEED ADJ				1
66	40086027	DIFF_FEED_ADJUST_SHAFT				1
67	40086031	DIFF_FEED_ADJUST_LEVER_3				1
68	40086029	DIFF_FEED_ADJUST_LEVER_4				2
69	SM8060612TP	SCREW M6 L=6				6
70	13415104	BUSHING FEED ADJ				1
71	13409305	BUSHING_FEED_ADJ				1
72	13414701	BUSHING FEED ADJ				1
73	40086032	INDICATOR_ASSY				1
74	RO068190100	RUBBER RING				1
75	CS1000881TP	THRUST COLLAR				1
76	SM8050412TP	SCREW M5 L=4				2
77	PS0500202KP	SPRING PIN 5X20				1
78	40040208	TORSION_SPRING				1
79	40086036	STUD				2
80	40086035	PLATE_DIFF_ADJ_LEVER				1
81	SM4050655SP	SCREW M5 L=6				2
82	13321203	STOPPER DIFF ADJ				1
83	WP0450826SC	WASHER 4.5X10X0.8				1
84	SM4040655SN	SCREW M4X0.7 L=6				1
85	13417100	SCREW				1
86	40086099	PIN_DIFF_ADJ				1
87	WP0460556SD	WASHER 4.6X7.5X0.5				1
88	13123302	ADJUSTING SPRING				1
89	RE0300000K0	E-RING 3				1
90	13217500	DIFFERENTIAL FEED LOCK NUT				1
91	13217401	DIFFERENTIAL FEED HINGE SCREW				1
92	WP0621016SD	WASHER 6.2X13X1				1

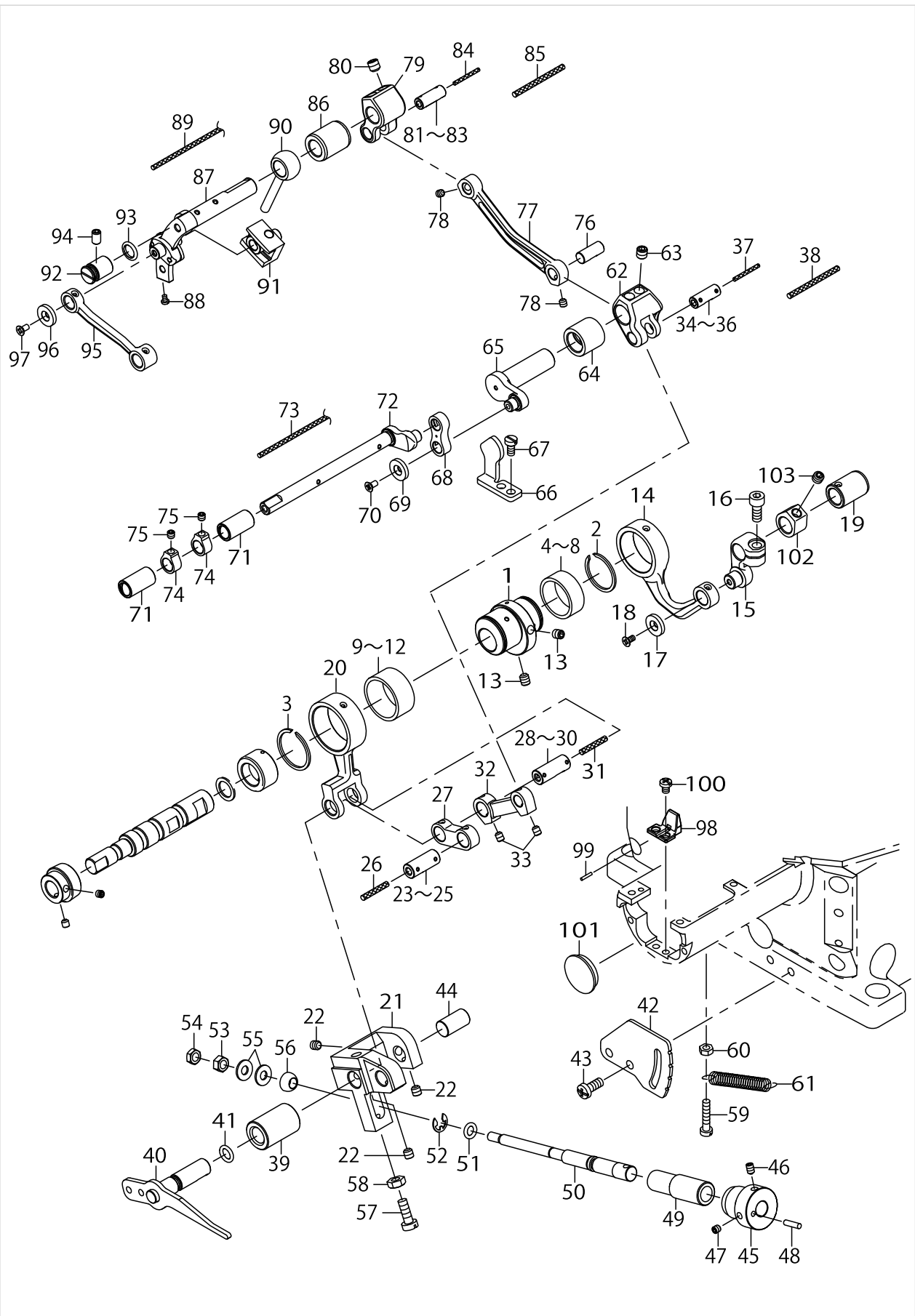
FEED DRIVE COMPONENTS (2)



FEED DRIVE COMPONENTS (2)

No.	Parts No.	Parts name	Remarks	Level	Cons	Qty
1	40086017	FEED_ECCENTRIC				1
2	RC2071213KP	C-RING 22 (20.7)				1
3	RC2251213KP	C-RING				1
4	B1609804A00	BUSHING	SELECTIVE PARTS			1
5	B1609804B00	NEEDLE BEARING	SELECTIVE PARTS			1
6	B1609804C00	BEARING	SELECTIVE PARTS			1
7	B1609804D00	BEARING	SELECTIVE PARTS			1
8	B1609804E00	BEARING	SELECTIVE PARTS			1
9	B1426180A00	NEEDLE BEARING (A)	SELECTIVE PARTS			1
10	B1426180B00	NEEDLE BEARING (B)	SELECTIVE PARTS			1
11	B1426180C00	NEEDLE BEARING (C)	SELECTIVE PARTS			1
12	B1426180D00	NEEDLE BEARING (D)	SELECTIVE PARTS			1
13	SM8050612TP	SCREW M5X6				2
14	40086020	FEED_LIFT_ROD				1
15	40086083	FEED_LIFT_LEVER				1
16	SM6051202TP	SCREW M5X0.8 L=12				1
17	13332606	WASHER TAKE UP				1
18	SM1030601SP	SCREW M3 L=6				1
19	40086023	BUSHING_RIGHT				1
20	40086075	CRANK_ROD				1
21	13415708	FEED_ADJ_BLOCK				1
22	SM8050512TP	SCREW				5
23	13410600	FEED ADJ LINK PIN A	SELECTIVE PARTS			1
24	13410709	FEED ADJ LINK PIN B	SELECTIVE PARTS			1
25	13410808	FEED ADJ LINK PIN C	SELECTIVE PARTS			1
26	CQ303000000	OIL WICK				0.07
27	13317300	ADJUST LINK				1
28	13323308	FEED_ADJ_LINK_PIN_A	SELECTIVE PARTS			1
29	13323407	FEED_ADJ_LINK_PIN_B	SELECTIVE PARTS			1
30	13323506	FEED_ADJ_LINK_PIN_C	SELECTIVE PARTS			1
31	CQ303000000	OIL WICK				0.07
32	40086072	MAIN_ADJUST_LINK				1
33	SM8040512TP	SCREW				2
34	13318704	MAIN FEED CRANK PIN A	SELECTIVE PARTS			1
35	13318803	MAIN FEED CRANK PIN B	SELECTIVE PARTS			1
36	13318902	MAIN FEED CRANK PIN C	SELECTIVE PARTS			1
37	CQ202000000	OIL WICK				0.02
38	CQ303000000	OIL WICK				0.04
39	40086040	BUSHING_MAIN_FEED_ADJUST				1
40	40086042	INDICATOR_ASSY				1
41	RO068190100	RUBBER RING				1
42	13411202	PLATE MAIN FEED ADJ				1
43	SM4051255SP	SCREW.,M5 L=12.				2
44	13415906	SHAFT_FEED_ADJ_BLOCK				1
45	13318001	KNOB FEED ADJUST				1
46	SM8040602TP	SCREW M4X0.7 L=6				1
47	SM8040412TP	SET SCREW M4 L=4				1

FEED DRIVE COMPONENTS (2)

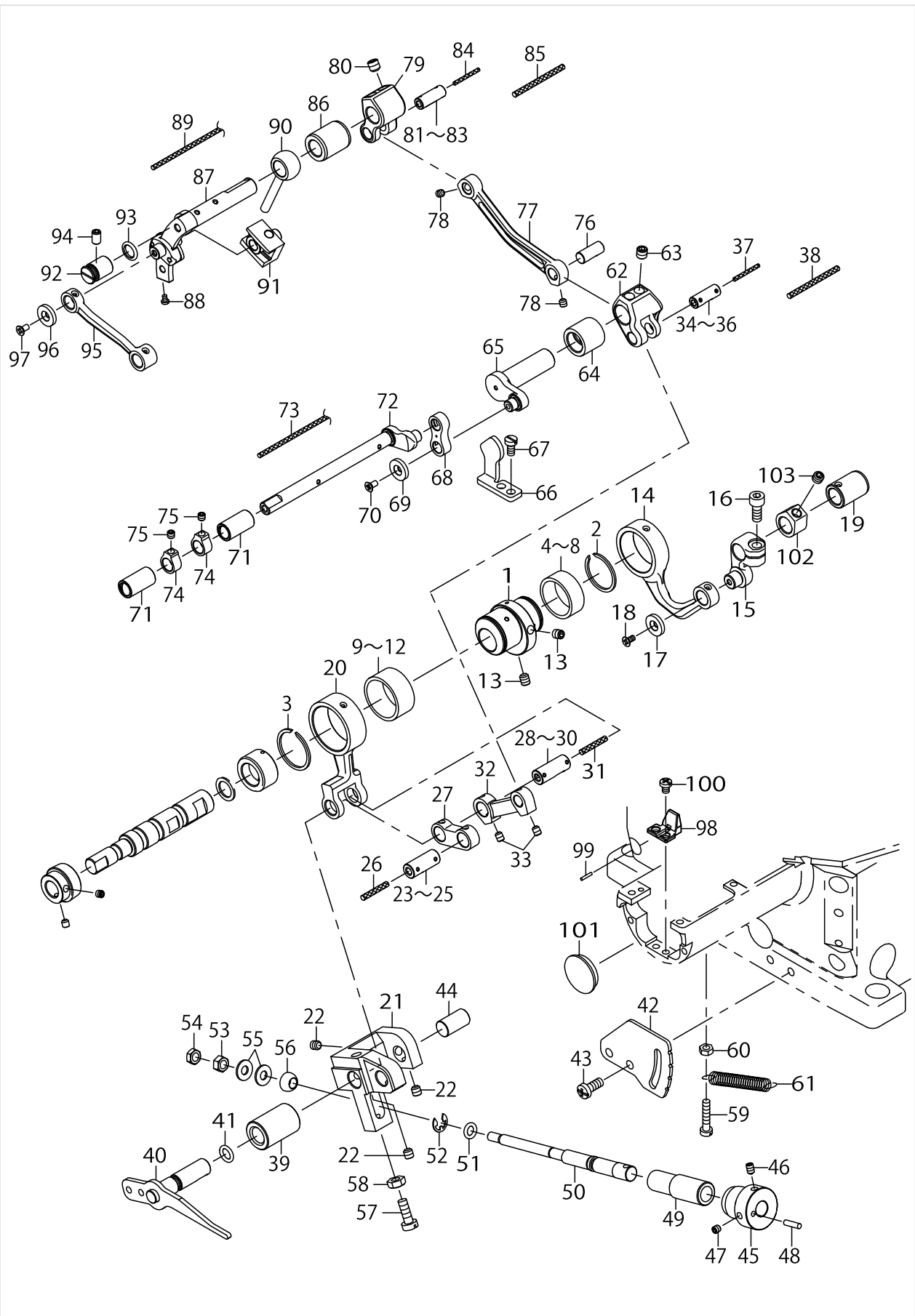


FEED DRIVE COMPONENTS (2)

No.	Parts No.	Parts name	Remarks	Level	Cons	Qty
48	B3215470000	PIN				1
49	13411400	BUSHING FEED ADJ				1
50	40086044	SHAFT_FEED_ADJUST				1
51	RO055200100	RUBBER RING				1
52	RE0500000K0	E-RING				1
53	NM6050001SC	NUT M5				1
54	NM6050003SC	NUT M5X0.8				1
55	13120605	WASHER				2
56	13318308	STOPPER FEED ADJUST				1
57	SM6051400SP	SCREW				1
58	NM6050001SP	NUT M5				1
59	SM6042000SP	SCREW				1
60	NM6040001SP	NUT M4X0.7				1
61	B2546232000	PRESSURE SPRING				1
62	40086078	FEED_CRANK				1
63	SM8060612TP	SCREW M6 L=6				2
64	40086018	BUSHING_MAIN_FEED				1
65	40086041	MAIN_FEED_SHAFT				1
66	40086065	MAIN_FEED_SHAFT_GUIDE				1
67	SM6040800SP	SCREW				2
68	40086077	MAIN_FEED_LINK				1
69	13332606	WASHER TAKE UP				1
70	SM1030601SP	SCREW M3 L=6				1
71	40086051	BUSHING_FEED_CYLINDER_BED				2
72	40086082	MAIN_FEED_SHAFT_LEFT				1
73	CQ252000000	OIL WICK				0.22
74	40086073	COLLAR				2
75	SM8040412TP	SET SCREW M4 L=4				2
76	13409909	DIFF_FEED_CRANK_PIN				1
77	40086087	DIFF_FEED_DRIVE_LINK				1
78	SM8040412TP	SET SCREW M4 L=4				2
79	40086059	DIFF_FEED_DRIVE_LEVER				1
80	SM8060612TP	SCREW M6 L=6				2
81	13318704	MAIN FEED CRANK PIN A	SELECTIVE PARTS			1
82	13318803	MAIN FEED CRANK PIN B	SELECTIVE PARTS			1
83	13318902	MAIN FEED CRANK PIN C	SELECTIVE PARTS			1
84	CQ202000000	OIL WICK				0.02
85	CQ303000000	OIL WICK				0.04
86	40086022	BUSHING_DIFF_FEED_SHAFT				1
87	40086100	DIFF_FEED_ARM_ASSY				1
88	SM4850455SP	SCREW				1
89	CQ252000000	OIL WICK				0.12
90	40086061	GUIDE				1
91	40086093	SLIDER_GUIDE_ASSY				1
92	40086080	DIFF_FEED_ARM_GUIDE				1
93	RO078190100	RUBBER RING				1
94	SM8050812TP	SCREW M5X8				1



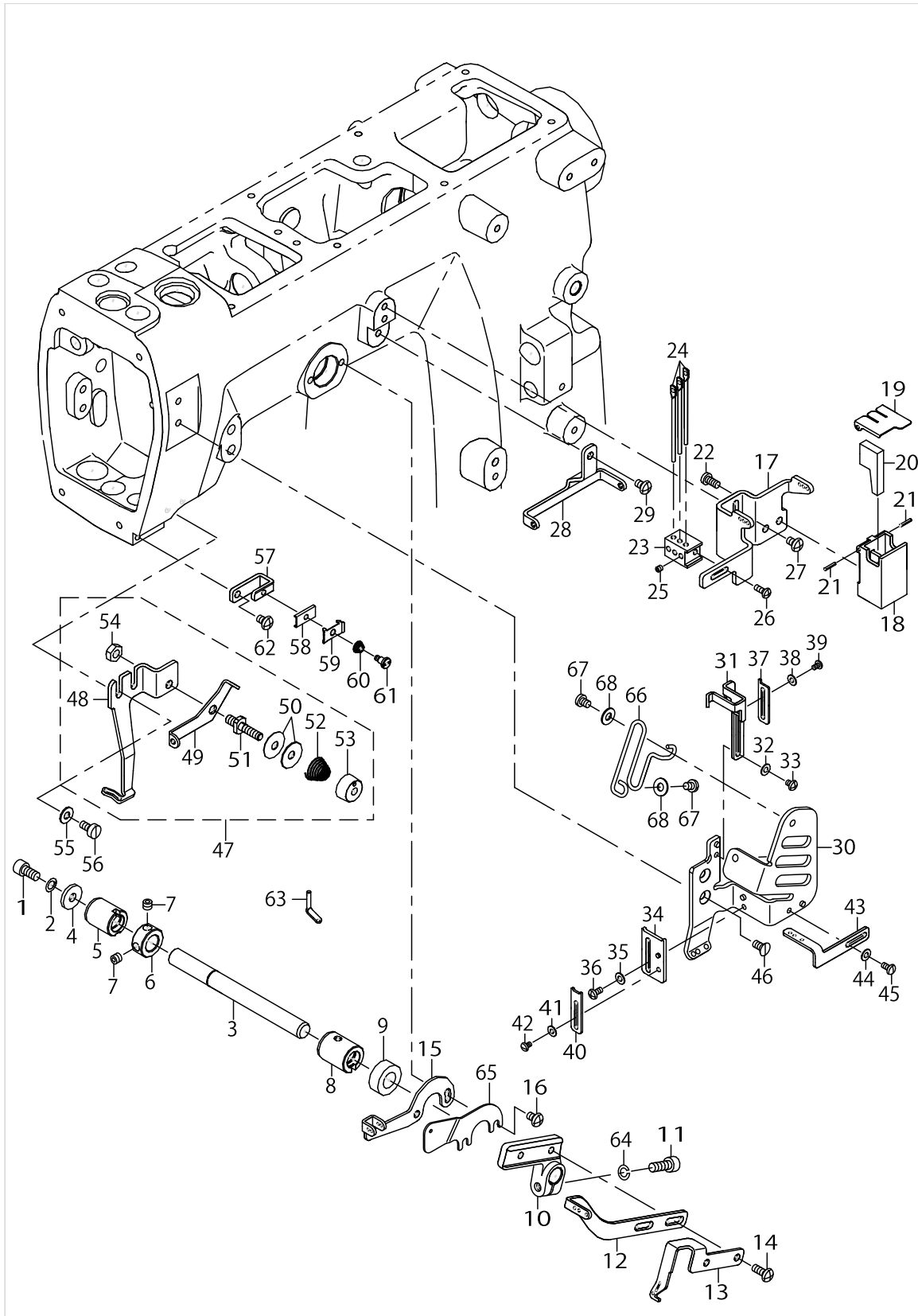
FEED DRIVE COMPONENTS (2)



FEED DRIVE COMPONENTS (2)

No.	Parts No.	Parts name	Remarks	Level	Cons	Qty
95	40086068	DIFF_FEED_LINK				1
96	13332606	WASHER TAKE UP				1
97	SM1030601SP	SCREW M3 L=6				1
98	40086088	FELT HOLDER				1
99	PS0150082KH	SPRING PIN				1
100	SM4040555SP	SCREW				2
101	TA2050416R0	RUBBER PLUG				1
102	40086046	COLLAR				1
103	SM8060552TP	SCREW M6 L=5				1

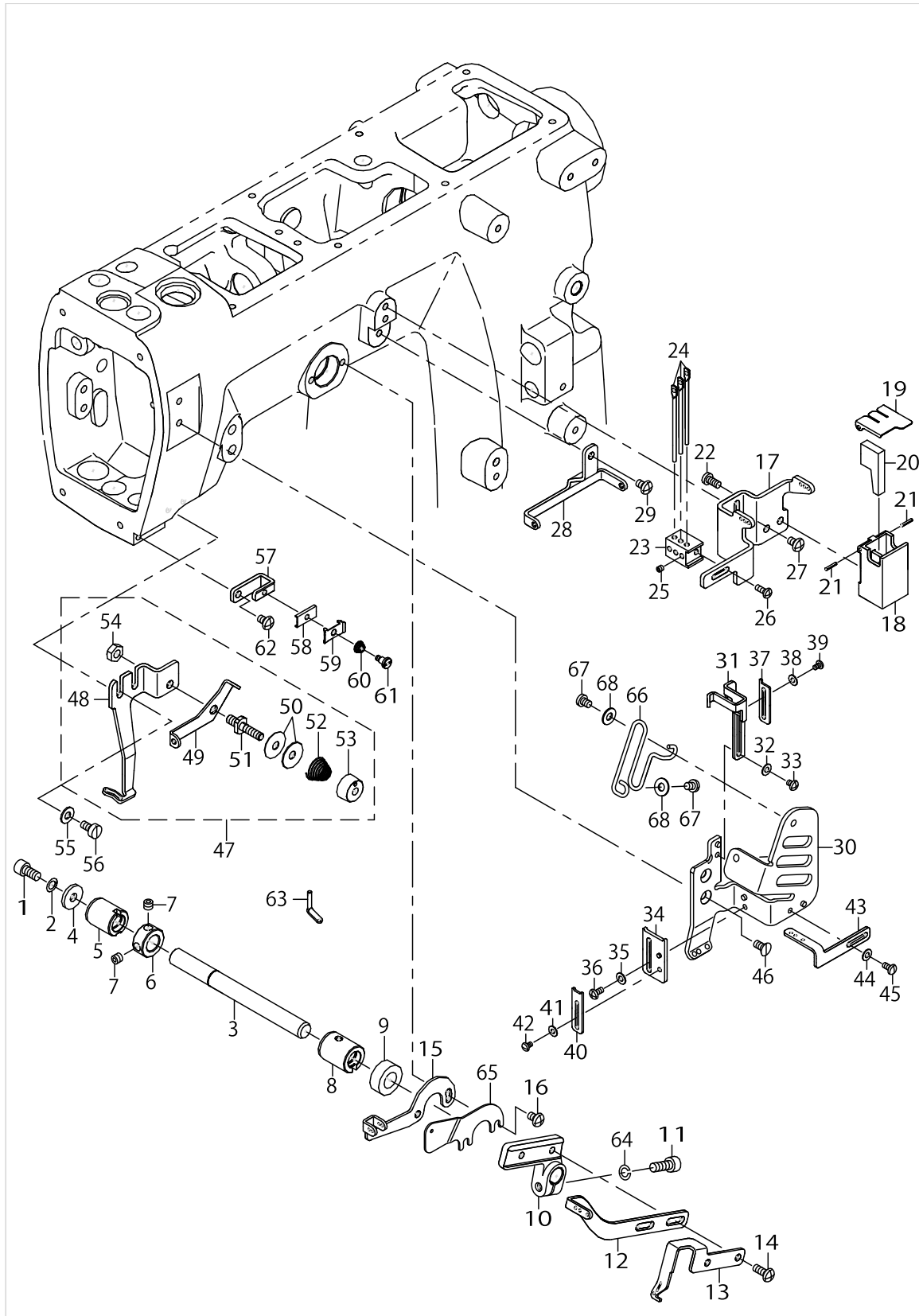
# THREAD TAKE-UP LEVER COMPONENTS



THREAD TAKE-UP LEVER COMPONENTS

No.	Parts No.	Parts name	Remarks	Level	Cons	Qty
1	SM6051002TP	SCREW M5X0.8 L=10				1
2	WS0510002KP	SPRING WASHER 5.1X9.2X1.3				1
3	13324306	SHAFT				1
4	WP0522016SH	WASHER				1
5	13324504	BUSHING REAR				1
6	CS1000881TP	THRUST COLLAR				1
7	SM8050412TP	SCREW M5 L=4				2
8	13324603	BUSHING FRONT				1
9	23612609	FEED CHANGING SHAFT OIL SEAL				1
10	13324702	HOLDER TAKE UP EYELET				1
11	SM6051402TP	SCREW M5X0.8 L=14				1
12	13324801	NDL THREAD TAKE UP				1
13	13324900	UP LPR THREAD TAKE UP				1
14	SM4041055SP	SCREW				2
15	13325006	THREAD GUIDE				1
16	SM4040655SP	SCREW M4 L=6				2
17	13325105	THREAD TENSION GUIDE				1
18	13348008	TANK				1
19	B9213850000	SILICONE OIL TANK COVER, UPPER				1
20	B9214850000	HEAT REMOVING FELT				1
21	PS0150082KH	SPRING PIN				2
22	ST4040851SN	TAPPING SCREW M4X8				2
23	13325204	HOLDER				1
24	30391601	NEEDLE THREAD EYELET				3
25	SM8030312TP	SCREW M3 L=3				3
26	SM4030855SN	SCREW M3 L=8.0				1
27	SM4040655SP	SCREW M4 L=6				2
28	13325402	THREAD GUIDE				1
29	SM4040655SP	SCREW M4 L=6				1
30	40085996	TAKE_UP_COVER				1
31	13325709	NDL THD STRIKE OFF				1
32	WP0320501SC	WASHER M3				1
33	SM4030455SP	SCREW				1
34	13325600	THD STRIKE OFF PLATE				1
35	WP0320501SC	WASHER M3				1
36	SM4030655SP	SCREW				1
37	13326905	NDL THD STRIKE OFF R				1
38	WP0280501SC	WASHER M2.6				1
39	SM4850455SP	SCREW				1
40	13327002	THD STRIKE OFF PLATE R				1
41	WP0280501SC	WASHER M2.6				1
42	SM4850455SP	SCREW				1
43	13327101	THREAD_GUIDE				1
44	WP0320501SC	WASHER M3				1
45	SM4030655SP	SCREW				1
46	SM1040800SP	SCREW				2
47	13326350	UP_LPR_TENSION_ASSY				1

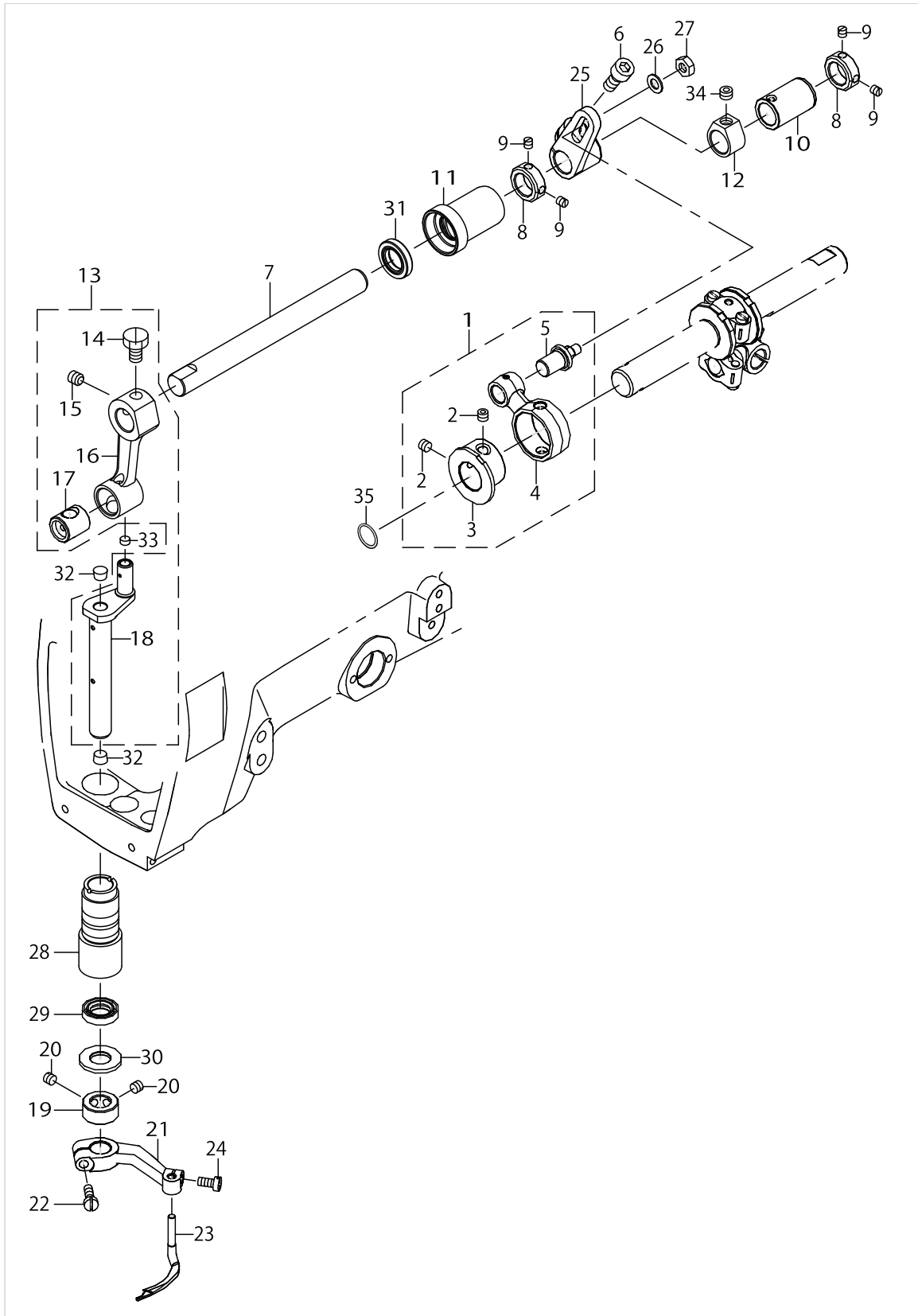
# THREAD TAKE-UP LEVER COMPONENTS



THREAD TAKE-UP LEVER COMPONENTS

No.	Parts No.	Parts name	Remarks	Level	Cons	Qty
48	13326301	THREAD GUIDE UPPER LPR		*		1
49	13326400	THREAD GUIDE		*		1
50	22945802	THREAD TENSION DISK		*		2
51	13326509	TENSION POST		*		1
52	22945505	THREAD TENSION SPRING		*		1
53	13326608	TENSION NUT		*		1
54	NM6050001SP	NUT M5		*		1
55	WP0450826SC	WASHER 4.5X10X0.8				2
56	SM6040800SP	SCREW				2
57	13325808	NIPPER PLATE SUPPORT				1
58	13325907	NIPPER PLATE				1
59	13326004	NIPPER GUIDE PLATE				1
60	13326103	SPRING				1
61	13326202	SHOULDER SCREW				1
62	SM4040655SP	SCREW M4 L=6				1
63	13326707	THREAD GUIDE				1
64	WS0510002KN	SPRING WASHER				1
65	40085995	FINGER_GUARD				1
66	40085997	FINGER_GUARD				1
67	SM4040555SP	SCREW				2
68	WP0450801SC	WASHER 4.5X10X0.8				2

# SPREADER COMPONENTS

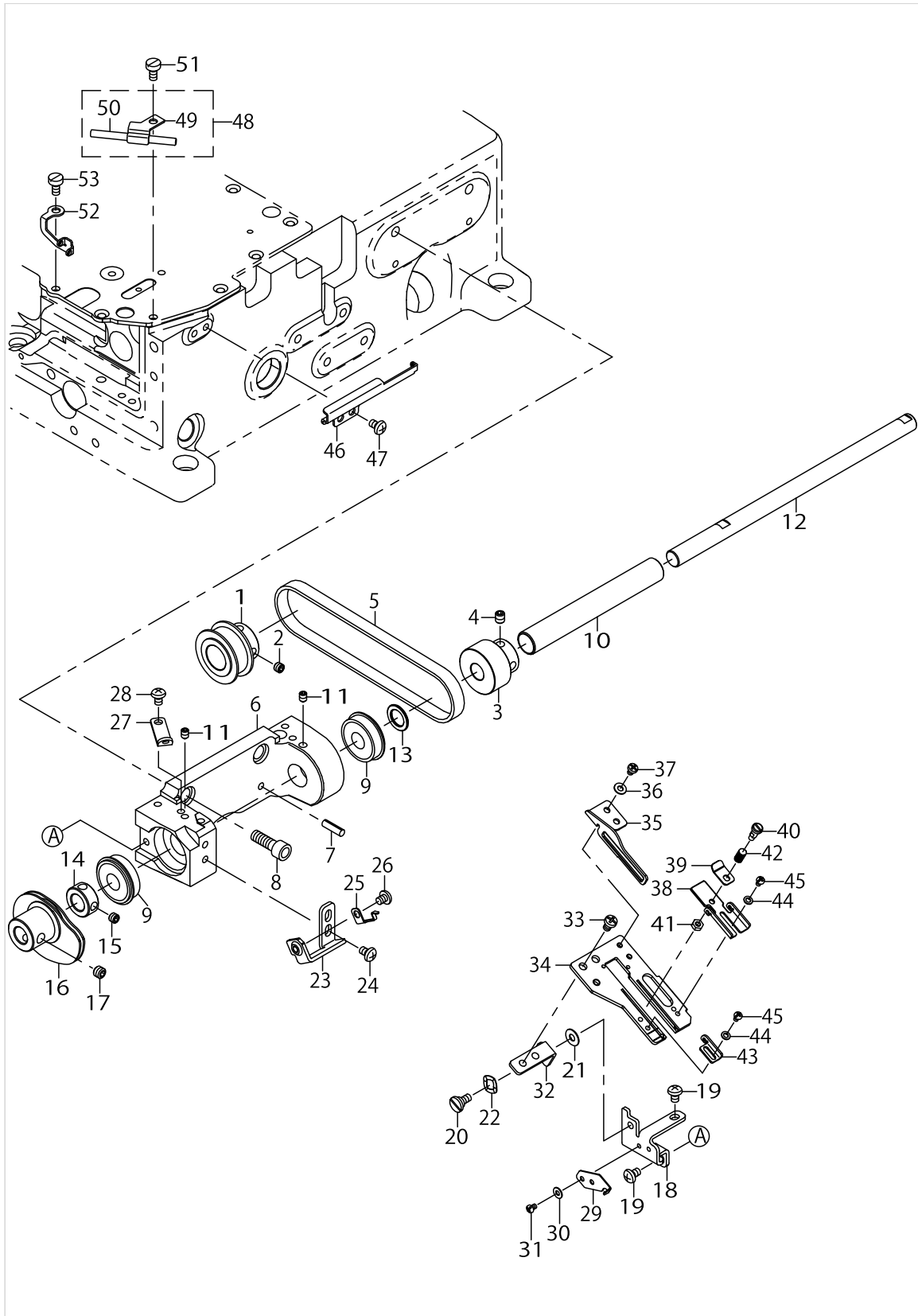


SPREADER COMPONENTS

No.	Parts No.	Parts name	Remarks	Level	Cons	Qty
1	40078318	ASSY UPPER LPR MECH				1
2	SM8050412TP	SCREW M5 L=4		*		2
3	40083520	UPPER LOOPER ECCENTRIC		*		1
4	40078319	CONNROD_FOR_UPPER_LPR		*		1
5	13328208	STUD		*		1
6	SM6061402TP	SCREW M6 L=14				1
7	40078310	UPPER_LOOPER_SHAFT				1
8	13399209	COLLAR				2
9	SM8040412TP	SET SCREW M4 L=4				4
10	40081402	BUSHING_REAR				1
11	40078309	BUSHING_FRONT				1
12	13411806	COLLAR				1
13	40078311	ASSY UPPER LPR MECH 2				1
14	SM9061050TP	SCREW M6 L=10		*		1
15	SM8060612TP	SCREW M6 L=6		*		1
16	40078312	CRANK_ROD		*		1
17	40078313	UPPER_LOOPER_ROCKER		*		1
18	40078314	U.L_SHAFT_VERTICAL		*		1
19	CS1000881TP	THRUST COLLAR				1
20	SM8050412TP	SCREW M5 L=4				2
21	13328802	UPPER LOOPER HOLDER			☆	1
22	SM6041200SP	SCREW M4 L=12			☆	1
23	13329404	UPPER_LOOPER			☆	1
24	SM6040800SP	SCREW			☆	1
25	40078316	DRIVING_ARM				1
26	WP0550800SP	WASHER 5.5X10X0.8				1
27	NM6050001SP	NUT M5				1
28	13329206	BUSHING VERTICAL				1
29	13338900	OIL SEAL				1
30	WP1022016SH	WASHER				1
31	40004573	OIL SEAL				1
32	TA0600401R0	PLUG				2
33	40078293	PLUG4.6				1
34	SM8060412TP	SCREW				1
35	13170402	RUBBER RING				1



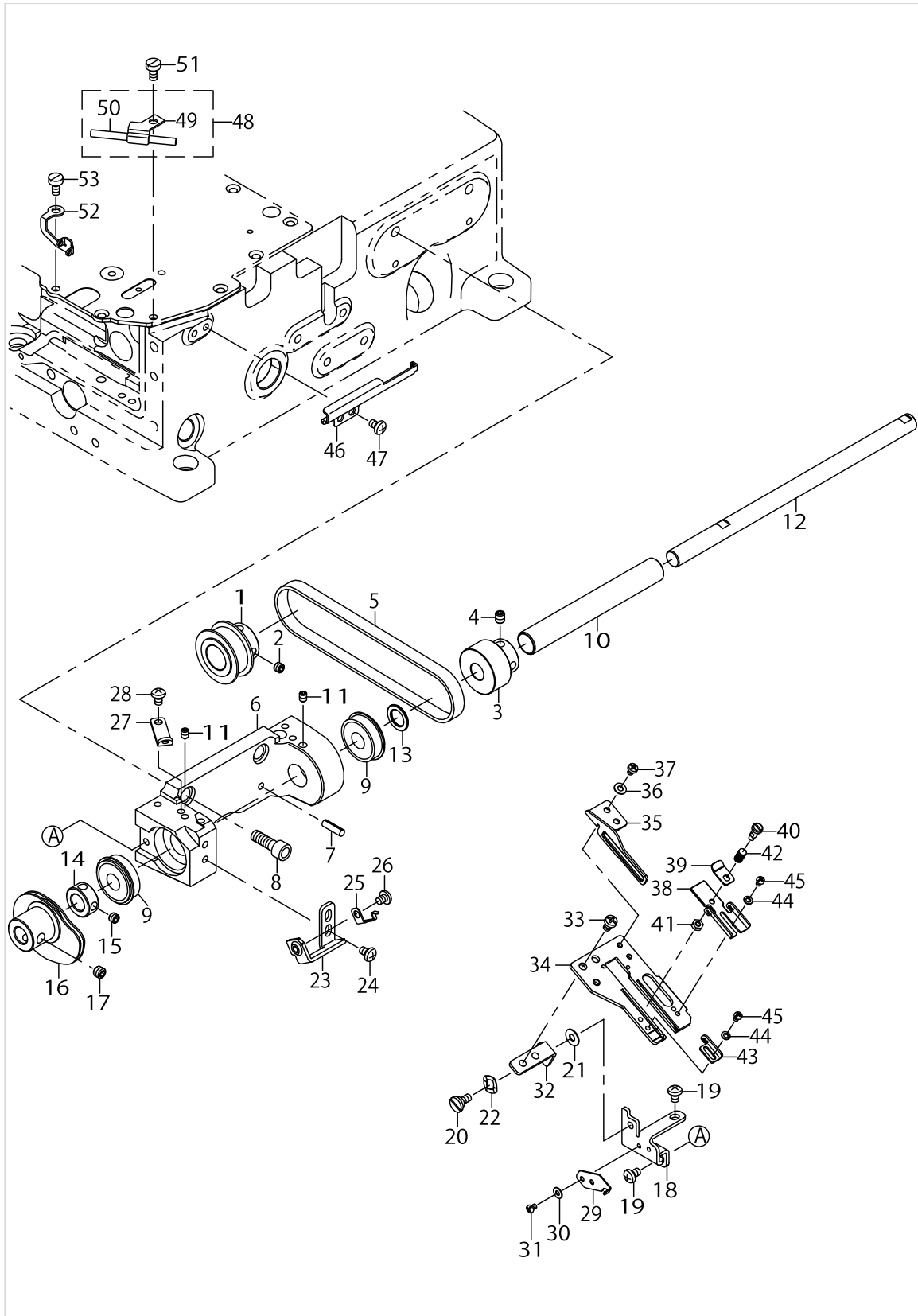
LOWER THREAD CAM COMPONENTS



LOWER THREAD CAM COMPONENTS

No.	Parts No.	Parts name	Remarks	Level	Cons	Qty
1	13331202	SPROCKET MAIN T UP				1
2	SM8050642TP	SCREW				1
3	13331301	SPROCKET TAKE UP				1
4	SM8050612TP	SCREW M5X6				2
5	40086140	BELT				1
6	40086112	TAKE_UP_BASE				1
7	11846805	HOLDER PIN				2
8	SM6061802TP	SCREW M6 L=18				2
9	SB110002400	BEARING				2
10	40086124	SHAFT_COVER				1
11	SM8040642TP	SCREW				2
12	40086123	SHAFT_TAKE_UP				1
13	10111003	THRUST WASHER 1.2				1
14	CS1000881TP	THRUST COLLAR				1
15	SM8050412TP	SCREW M5 L=4				2
16	40086136	ASSY_TAKE_UP				1
17	SM8060552TP	SCREW M6 L=5				2
18	40086121	TAKE_UP_BASE_PLATE				1
19	SM4040655SP	SCREW M4 L=6				2
20	SD0640246SP	HINGE SCREW D=6.35 H=2.4				1
21	WP0410516SD	PLAIN WASHER				1
22	WZ0641510KP	WAVED WASHER 6.4X11X0.3				1
23	40086122	LOCK_BASE_PLATE				1
24	SM4040655SP	SCREW M4 L=6				2
25	13332903	SPRING				1
26	SM4040555SP	SCREW				1
27	13332705	EYELET C				1
28	SM4040655SP	SCREW M4 L=6				1
29	40056591	THREAD_CATCHER				1
30	WP0280501SC	WASHER M2.6				2
31	SM4850455SP	SCREW				2
32	40086120	TAKE_UP_PLATE_BRACKET				1
33	SM4040655SP	SCREW M4 L=6				2
34	40086141	TAKE_UP_PLATE				1
35	40086138	THREAD_GUIDE				1
36	WP0320501SC	WASHER M3				2
37	SM4030455SP	SCREW				2
38	13333406	LPR THD GUIDE BASE				1
39	13333307	LPR THD DISC UPPER				1
40	13333505	TENSION POST				1
41	NM6030001SN	NUT				1
42	13333604	LOOPER CAM SPRING				1
43	13332101	EYELET A				1
44	WP0280500SC	WASHER				2
45	SM4850455SP	SCREW				2
46	40086142	THREAD_GUIDE				1
47	SM4040655SP	SCREW M4 L=6				2

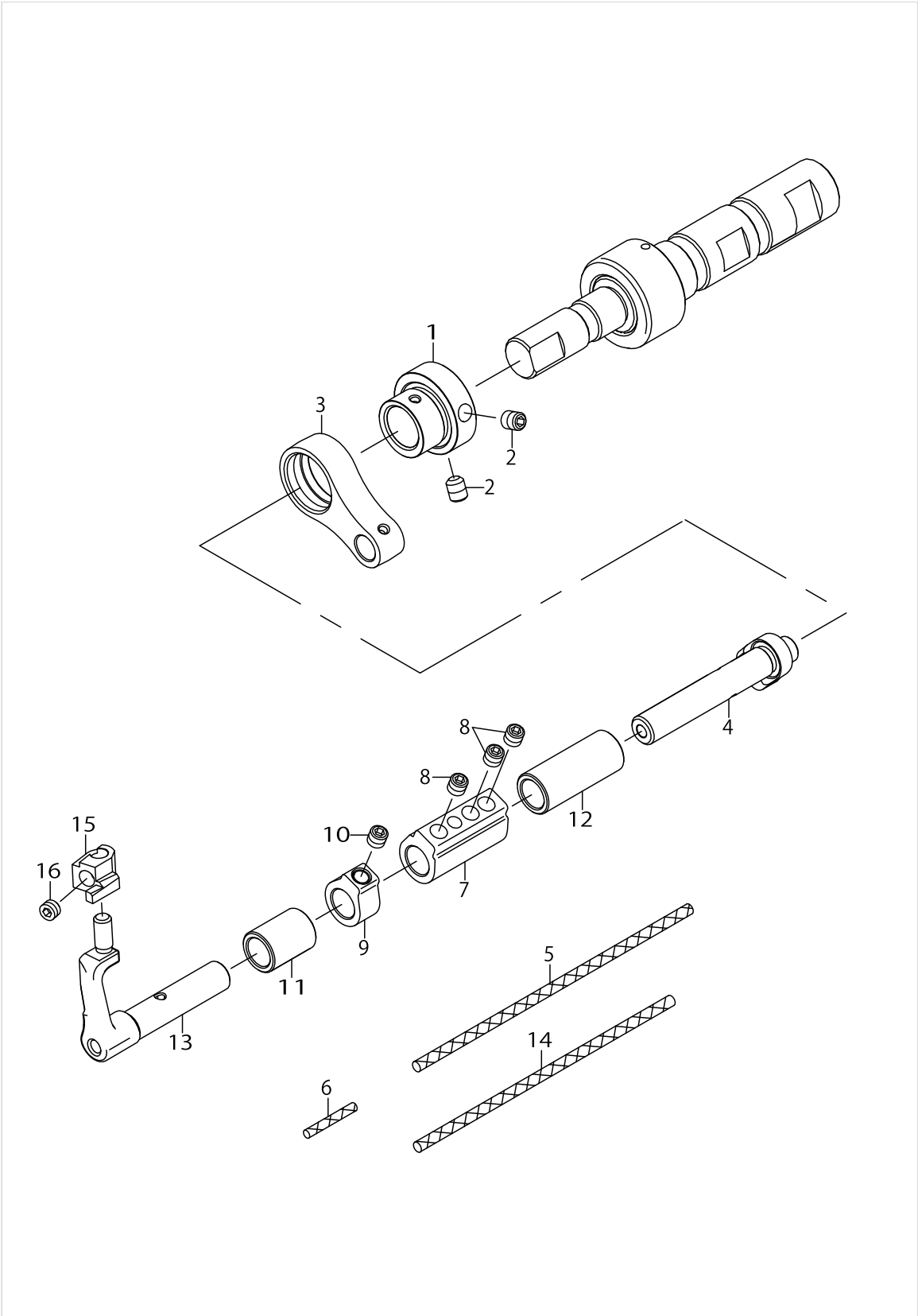
LOWER THREAD CAM COMPONENTS



LOWER THREAD CAM COMPONENTS

No.	Parts No.	Parts name	Remarks	Level	Cons	Qty
48	40086129	ASSY_THREAD_GUIDE_A				1
49	40086131	THREAD_GUIDE_BRACKET_A		*		1
50	40086128	THREAD_GUIDE_PIPE_A		*		1
51	SM6040860TP	SCREW M4 L=8				1
52	40086126	THREAD_GUIDE				1
53	SM6040860TP	SCREW M4 L=8				1

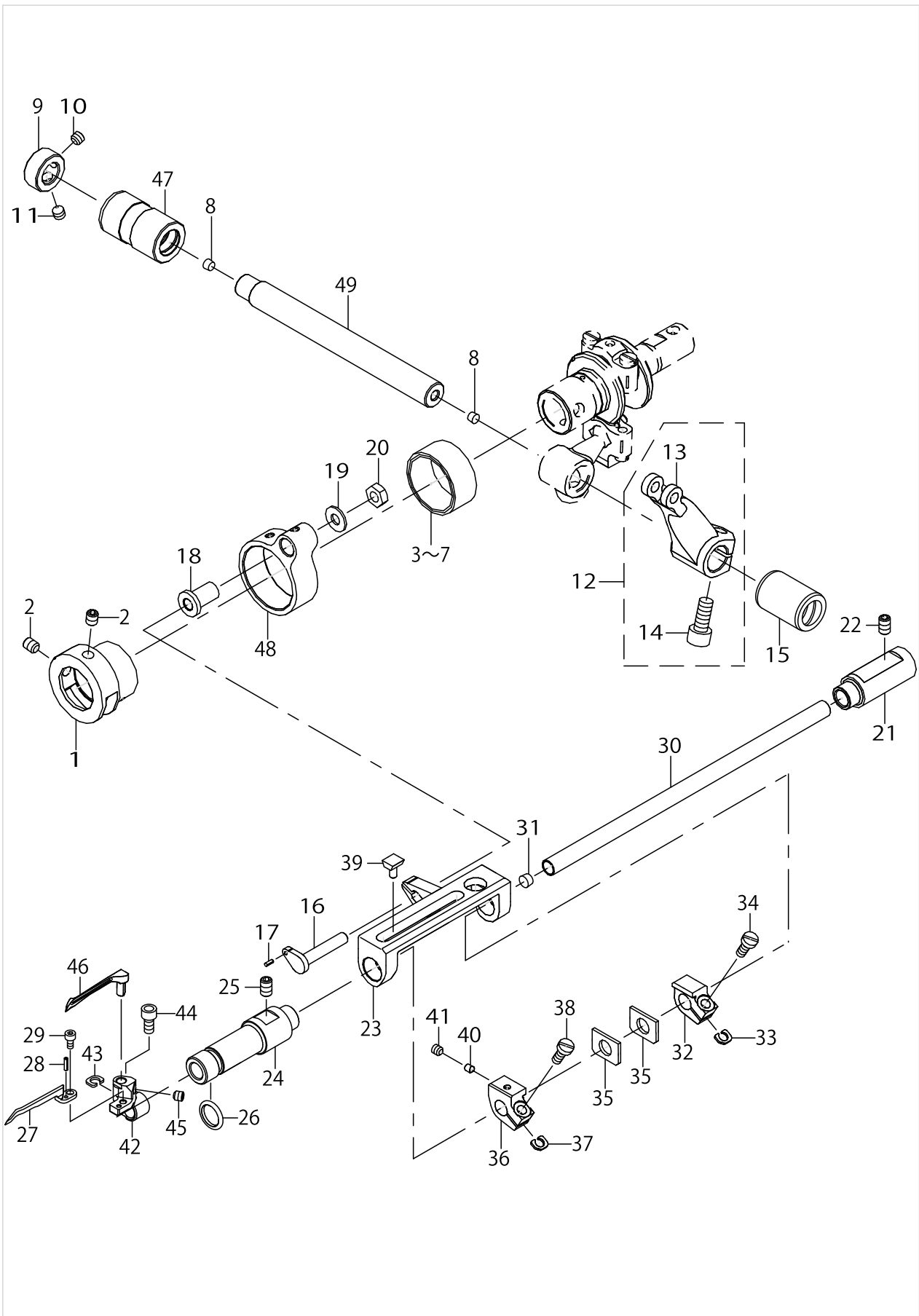
NEEDLE GUARD COMPONENTS



NEEDLE GUARD COMPONENTS

No.	Parts No.	Parts name	Remarks	Level	Cons	Qty
1	40086206	NEEDLE_GUARD_ECCENTRIC				1
2	SM8040512TP	SCREW				2
3	40086207	NEEDLE_GUARD_ROD				1
4	40086210	NEEDLE_GUARD_CRANK_SHAFT				1
5	CQ252000000	OIL WICK				0.086
6	CQ200000000	OIL WICK				0.015
7	40086208	NEEDLE_GUARD_CONNECT				1
8	SM8040412TP	SET SCREW M4 L=4				3
9	40086209	NEEDLE_GUARD_COLLAR				1
10	SM8040412TP	SET SCREW M4 L=4				1
11	40086213	BUSHING_NEEDLE_GUARD_L				1
12	40086214	BUSHING_NEEDLE_GUARD_R				1
13	40086211	NEEDLE_GUARD_BASE				1
14	CQ252000000	OIL WICK				0.08
15	40086212	REAR_NEEDLE_GUARD				1
16	SM8040412TP	SET SCREW M4 L=4				1

LOOPER COMPONENTS

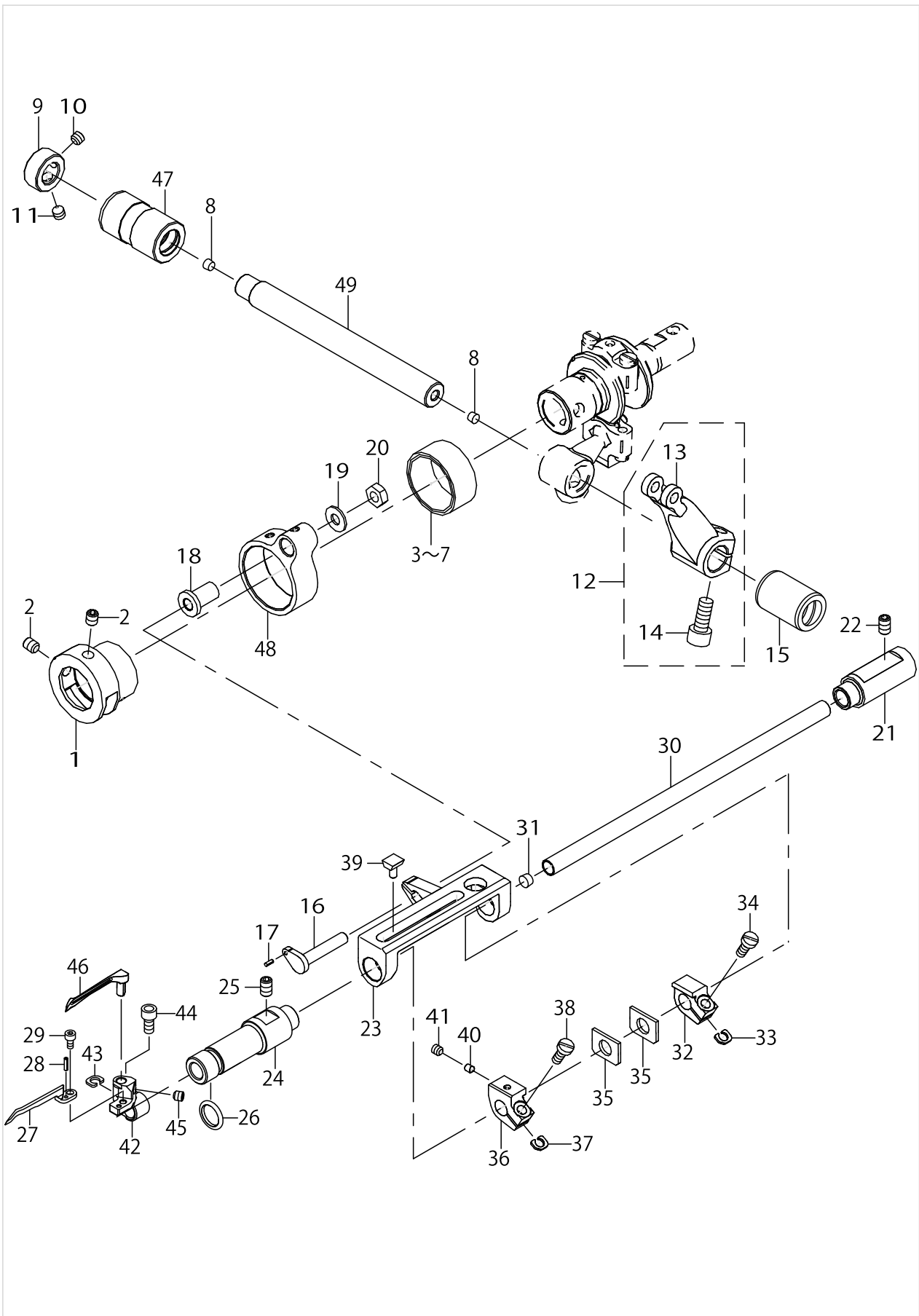


LOOPER COMPONENTS

No.	Parts No.	Parts name	Remarks	Level	Cons	Qty
1	13422001	LOOPER ADOID ECCENTRIC				1
2	SM8050612TP	SCREW M5X6				2
3	SB32600020A	BEARING	SELECTIVE PARTS			1
4	SB32600020B	BEARING	SELECTIVE PARTS			1
5	SB32600020C	BEARING	SELECTIVE PARTS			1
6	SB32600020D	BEARING	SELECTIVE PARTS			1
7	SB32600020E	BEARING	SELECTIVE PARTS			1
8	TA0400301M0	PLUG D=4X4.5 L=3				2
9	CS1000881TP	THRUST COLLAR				1
10	SM8050412TP	SCREW M5 L=4				1
11	SM8050642TP	SCREW				1
12	13424452	LEVER_ASSY				1
13	13424403	LEVER		*		1
14	SM6061402TP	SCREW M6 L=14		*		1
15	13424502	BUSHING FRONT				1
16	13422704	LOOPER AVOID PIN				1
17	PS0150042K0	SPRING PIN 1.5X 4				1
18	13422803	BUSHING				1
19	13120605	WASHER				1
20	NM6050001SP	NUT M5				1
21	13423009	BUSHING RIGHT				1
22	SM8050812TP	SCREW M5X8				1
23	13422902	GUIDE LOOPER BAR				1
24	40086220	BUSHING_LEFT				1
25	SM8050812TP	SCREW M5X8				1
26	RO118240100	O-RING				1
27	40086205	FRONT_NEEDLE_GUARD			☆	1
28	PS0150065KP	SPRING PIN 1.5X6				1
29	SM6850502TN	SCREW M2.5 L=5			☆	1
30	13424601	LOOPER BAR				1
31	TA0600401R0	PLUG				1
32	13423405	HOLDER				1
33	13423801	WASHER				1
34	SM6041000SP	SCREW M4 L=10				1
35	13423603	WASHER				2
36	13423504	SLIDER HOLDER				1
37	13423801	WASHER				1
38	SM6041000SP	SCREW M4 L=10				1
39	13423306	SLIDER				1
40	13423702	PIN				1
41	SM8040412TP	SET SCREW M4 L=4				1
42	40086221	LOOPER_HOLDER				1
43	13423801	WASHER				1
44	SM6040802TP	SCREW M4X0.7 L=8			☆	1
45	SM8040412TP	SET SCREW M4 L=4			☆	1
46	13424809	LOOPER			☆	1
47	13423900	BUSHING REAR				1



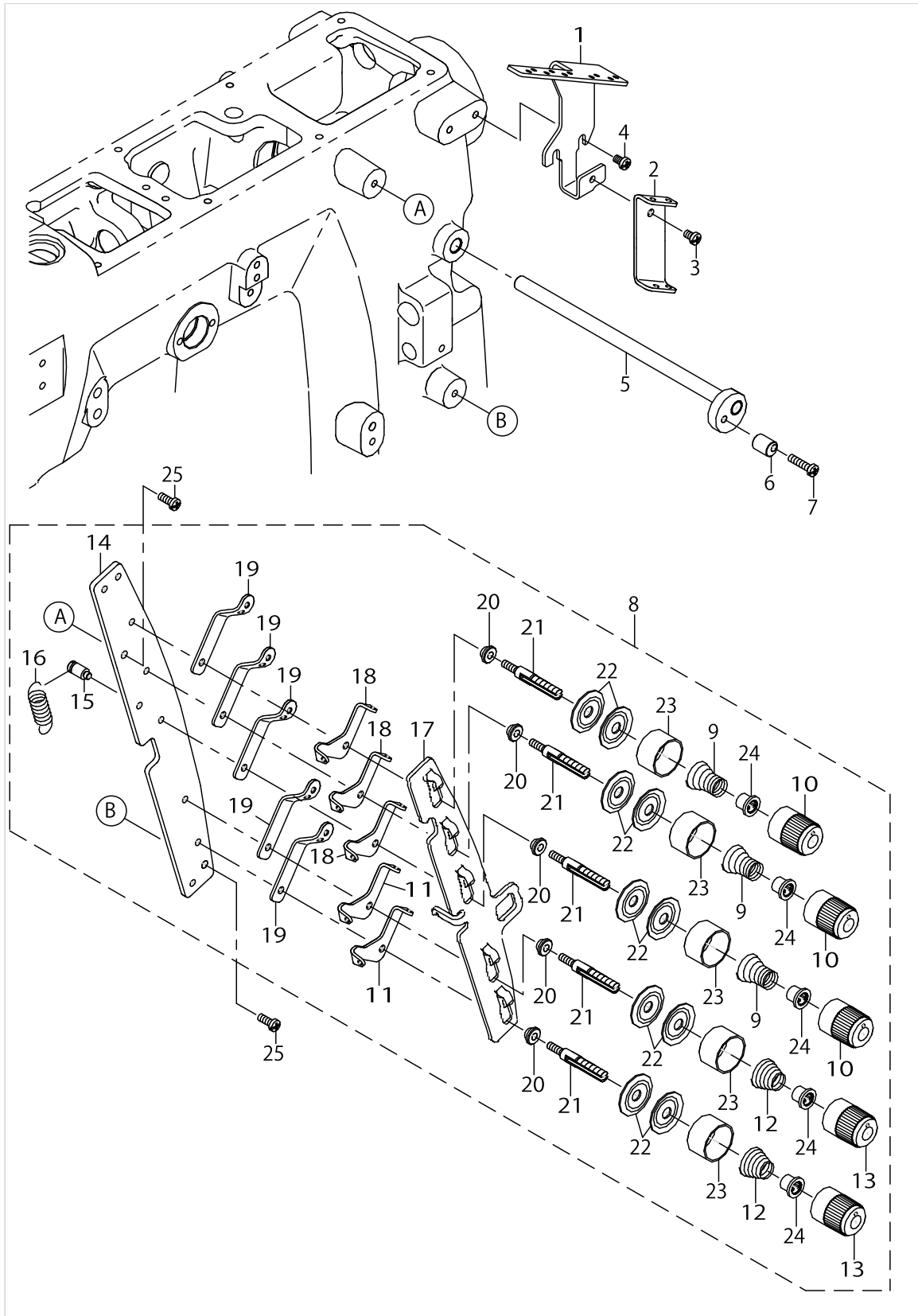
LOOPER COMPONENTS



## LOOPER COMPONENTS

No.	Parts No.	Parts name	Remarks	Level	Cons	Qty
48	13422605	LOOPER AVOID LINK				1
49	13424304	LOOPER SHAFT				1

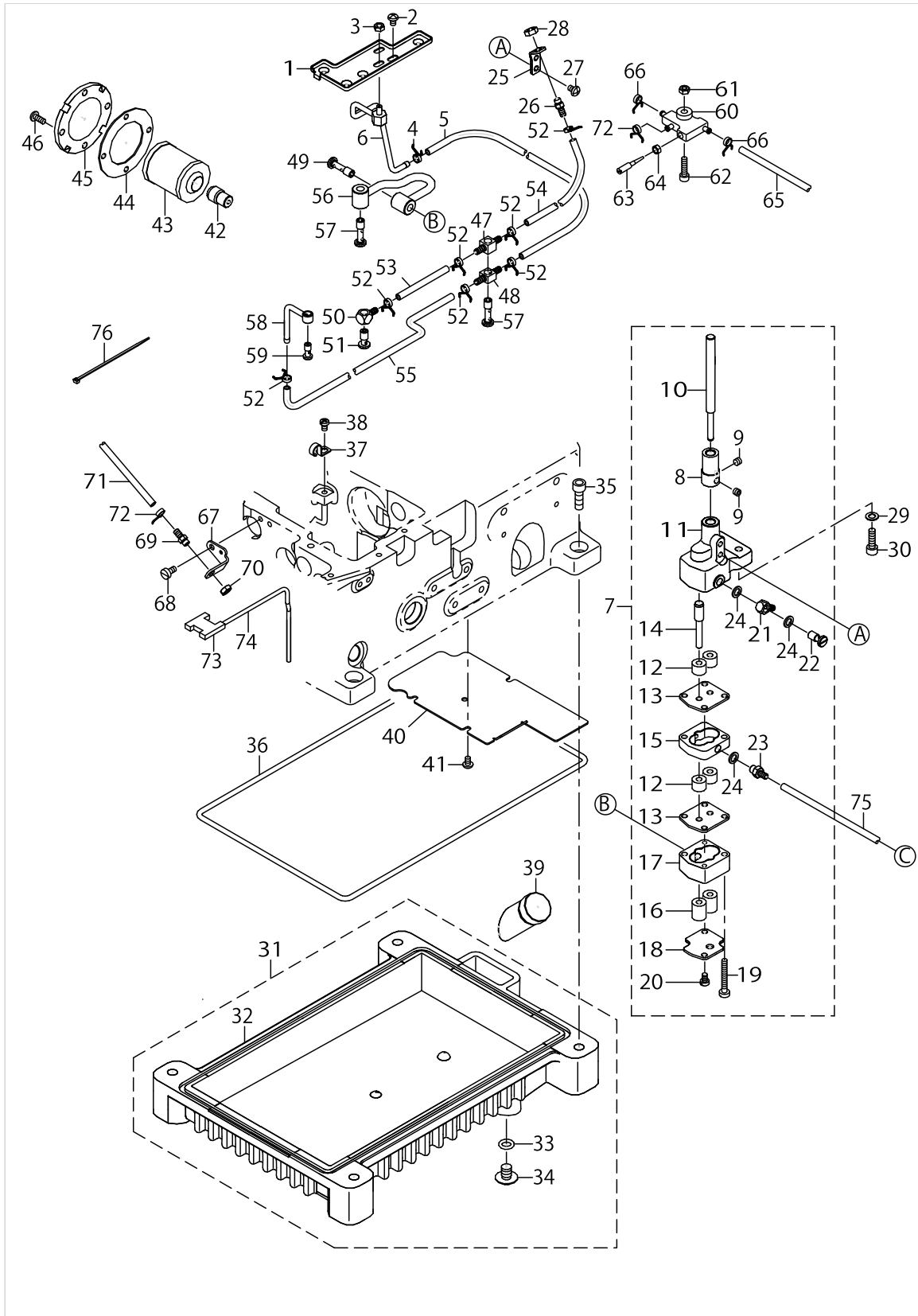
# THREAD TENSION COMPONENTS



THREAD TENSION COMPONENTS

No.	Parts No.	Parts name	Remarks	Level	Cons	Qty
1	13340005	THREAD GUIDE PLATE	ACCESSORIES PARTS			1
2	13340104	THREAD GUIDE	ACCESSORIES PARTS			1
3	SM4040655SP	SCREW M4 L=6	ACCESSORIES PARTS			1
4	SM4040655SP	SCREW M4 L=6	ACCESSORIES PARTS			2
5	13341359	ASSY PULL OFF LEVER				1
6	40065785	TENS_RELEASE_ADJ_ECC				1
7	SM4041655SP	SCREW M4 L=16				1
8	40066136	THREAD_TENSION_ASSY				1
9	13140504	TENSION SPRING		*		3
10	40042364	KNOB GREEN		*		3
11	13340500	TENSION DISC EYELET		*		2
12	B3121804000	TENSION SPRING		*		2
13	40042363	KNOB		*		2
14	13340203	TENSION POST SUPPORT		*		1
15	13340302	SHOULDER SCREW		*		1
16	B2008372000	THREAD TENSION SPRING		*		1
17	40065784	TENSION_DISC_SEPARATOR		*		1
18	13341607	TENSION_DISC_EYELET_2		*		3
19	13340609	THREAD LEAD IN GUIDE		*		5
20	13340708	SPACER		*		5
21	40042362	TENSION POST		*		5
22	13138201	THREAD TENSION DISK		*		10
23	40042366	THREAD TENSION DISK PRESSER		*		5
24	40042365	SPRING BUSHING		*		5
25	SM4041055SP	SCREW				2

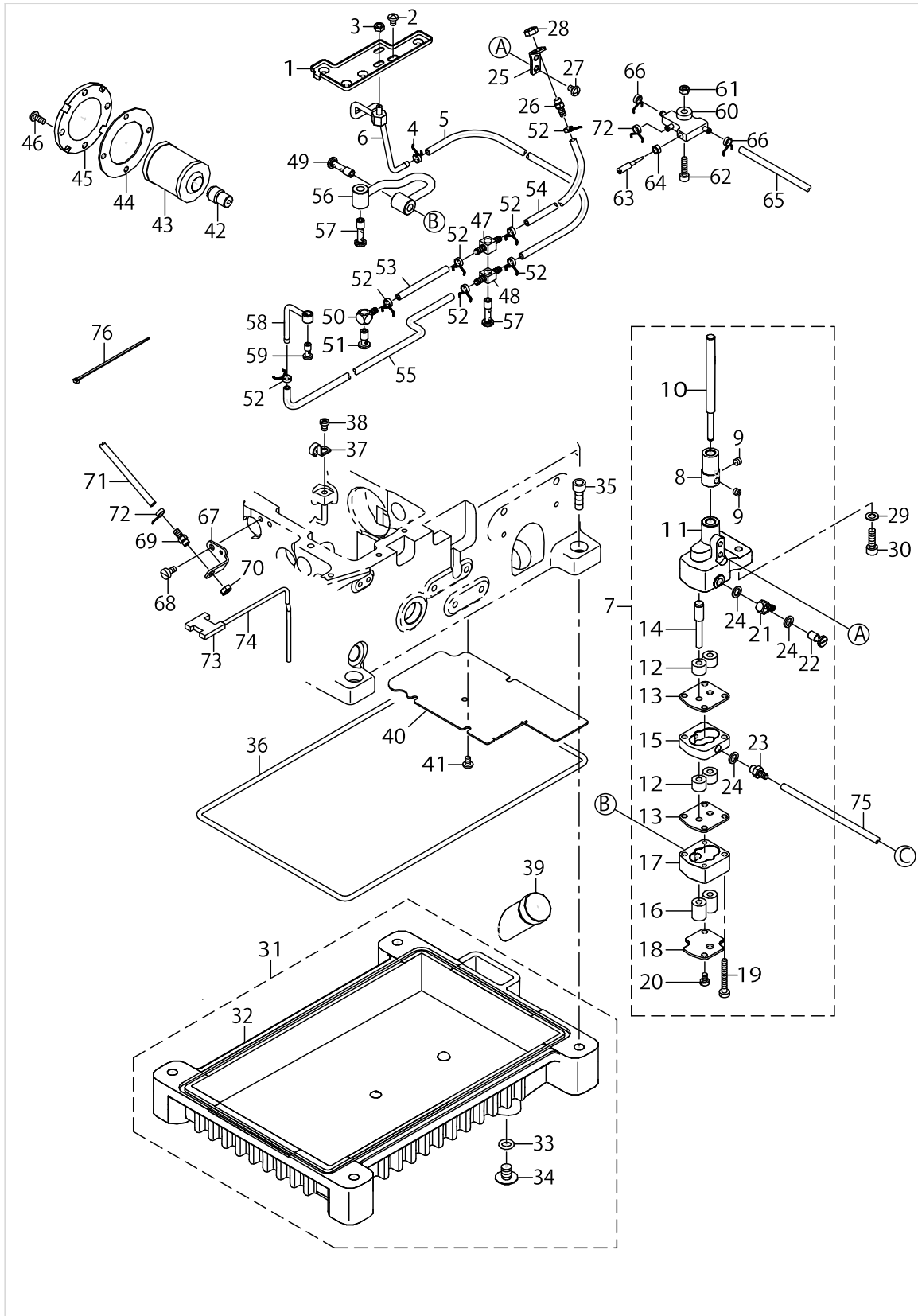
LUBRICATION COMPONENTS



LUBRICATION COMPONENTS

No.	Parts No.	Parts name	Remarks	Level	Cons	Qty
1	40083514	OIL SAUCER				1
2	SM4040655SP	SCREW M4 L=6				2
3	NM6040001SP	NUT M4X0.7				1
4	23629306	PIPE STOPPER A				1
5	BP30000010R	VINYL PIPE				0.5
6	13345053	ASSY_OIL_SUPPLY_FOR_TOP				1
7	13426051	ASSY_PUMP_3-STAGE				1
8	13343009	WORM WHEEL		*		1
9	SM8050412TP	SCREW M5 L=4		*		2
10	13426002	OIL PUMP SHAFT LARGE		*		1
11	13343108	OIL PUMP HOUSING		*		1
12	13228309	OIL PUMP PINION		*		4
13	13343405	OIL PUMP SPACER		*		2
14	13426101	OIL PUMP SHAFT SMALL		*		1
15	13426200	OIL PUMP CASING UPPER		*		1
16	13228200	OIL PUMP PINION		*		2
17	13343207	OIL PUMP CASING		*		1
18	13343306	OIL PUMP COVER		*		1
19	SM6043000SP	SCREW		*		2
20	SM6040600SP	SCREW M4 L=6		*		2
21	SQ0000451MZ	CONNECTING SCREW		*		1
22	SQ2060443SD	CONNECTING SCREW		*		1
23	SQ2060451MZ	CONNECTING SCREW		*		1
24	40004749	GASKET		*		3
25	13427307	CONNECTING_SCR_BRACKET				1
26	SQ2050452MZ	CONNECTING SCREW				1
27	SM4040655SP	SCREW M4 L=6				2
28	NM6050001SP	NUT M5				1
29	WP0550800SP	WASHER 5.5X10X0.8				2
30	SM6051602TP	SCREW M5X0.8 L=16				2
31	40024406	ASSY_OIL_PAN				1
32	13426309	OIL PAN		*		1
33	13170105	RUBBER RING		*		1
34	SM0081001SD	SCREW		*		1
35	SM6081802TP	SCREW				4
36	13426408	O RING				1
37	B3523280000	OIL TUBE HOLDER				1
38	SM4040655SP	SCREW M4 L=6				1
39	13346101	OIL SIGHT GAUGE				1
40	40086254	DUSTPROOF_PLATE				1
41	SM4040655SP	SCREW M4 L=6				3
42	13343801	FITTING FILTER				1
43	13142500	CARTRIDGE FILTER				1
44	13344809	GASKET O				1
45	13345202	FILTER_COVER				1
46	SM4041055SP	SCREW				4
47	SQ0000453MZ	CONNECTING SCREW				1

LUBRICATION COMPONENTS

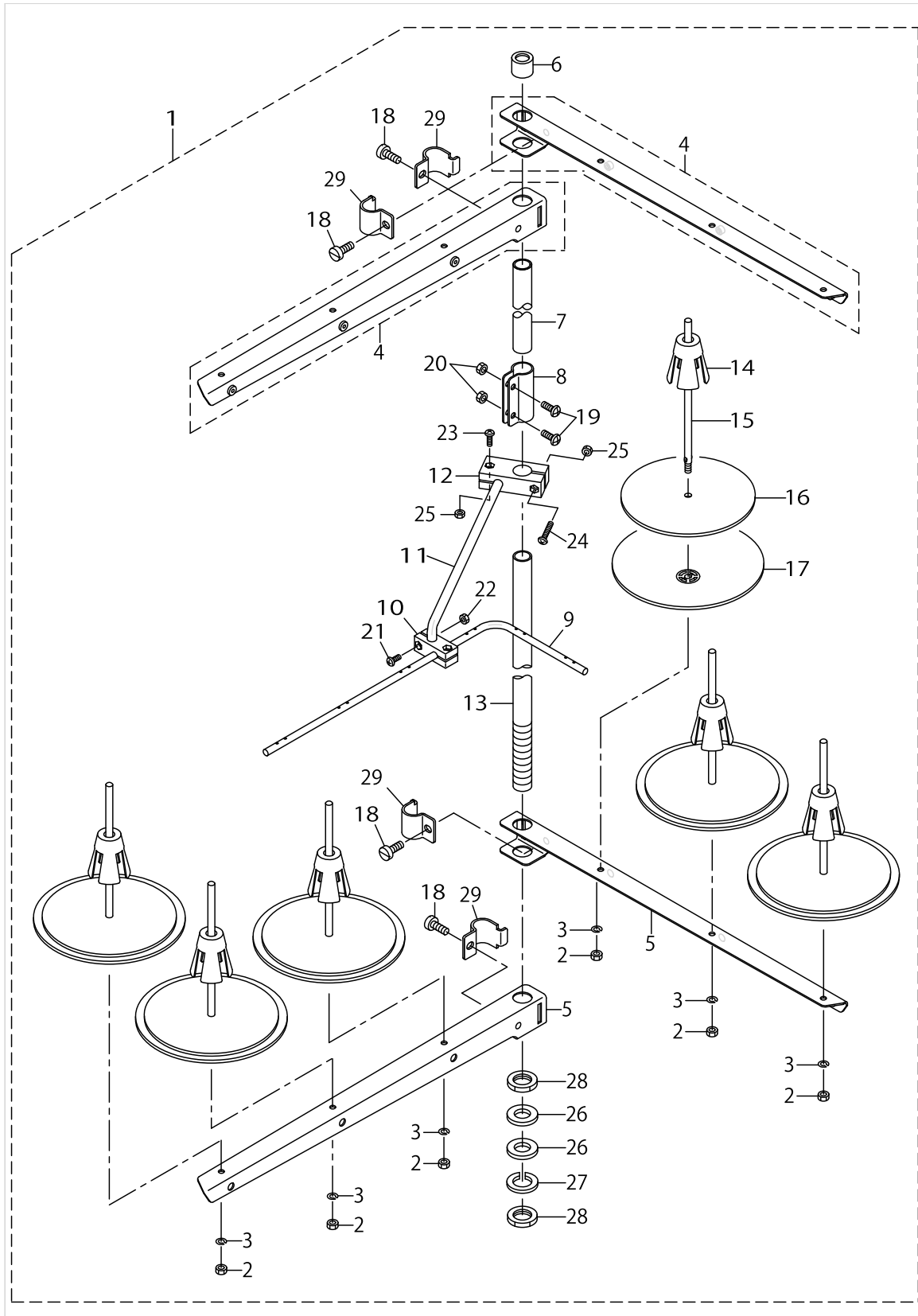


LUBRICATION COMPONENTS

No.	Parts No.	Parts name	Remarks	Level	Cons	Qty
48	SQ0000454MZ	CONNECTING SCREW				1
49	SQ2060442SD	CONNECTING SCREW				1
50	SQ0000452MZ	CONNECTING SCREW				1
51	SQ2060443SD	CONNECTING SCREW				1
52	23629306	PIPE STOPPER A				7
53	BP30000010R	VINYL PIPE				0.09
54	BP30000010R	VINYL PIPE				0.14
55	BP30000010R	VINYL PIPE				0.12
56	13427257	ASSY_OIL_PIPE				1
57	SQ2060442SD	CONNECTING SCREW				2
58	40086251	ASSY_OIL_SUPPLY_FOR_LMS				1
59	SQ2050391SD	CONNECTING SCREW				1
60	40032804	BASE				1
61	NM6040001SP	NUT M4X0.7				1
62	SM6041602TP	SCREW M4X0.7 L=16				1
63	B1834512000A	OIL ADJUSTING SCREW				1
64	NS6110310SP	NUT 11/64-40				1
65	BP30000010R	VINYL PIPE				0.8
66	23629306	PIPE STOPPER A				2
67	40086250	CONNECTING_SCR_BRACKET				1
68	SM6040800SP	SCREW				1
69	SQ2050452MZ	CONNECTING SCREW				1
70	NM6050003SC	NUT M5X0.8				1
71	BP30000010R	VINYL PIPE				0.32
72	23629306	PIPE STOPPER A				2
73	40086255	SUCTION_FELT				1
74	40086252	OIL_SUCTION				1
75	23630007	TUBE				0.19
76	EA9500B0100	CABLE BAND				1



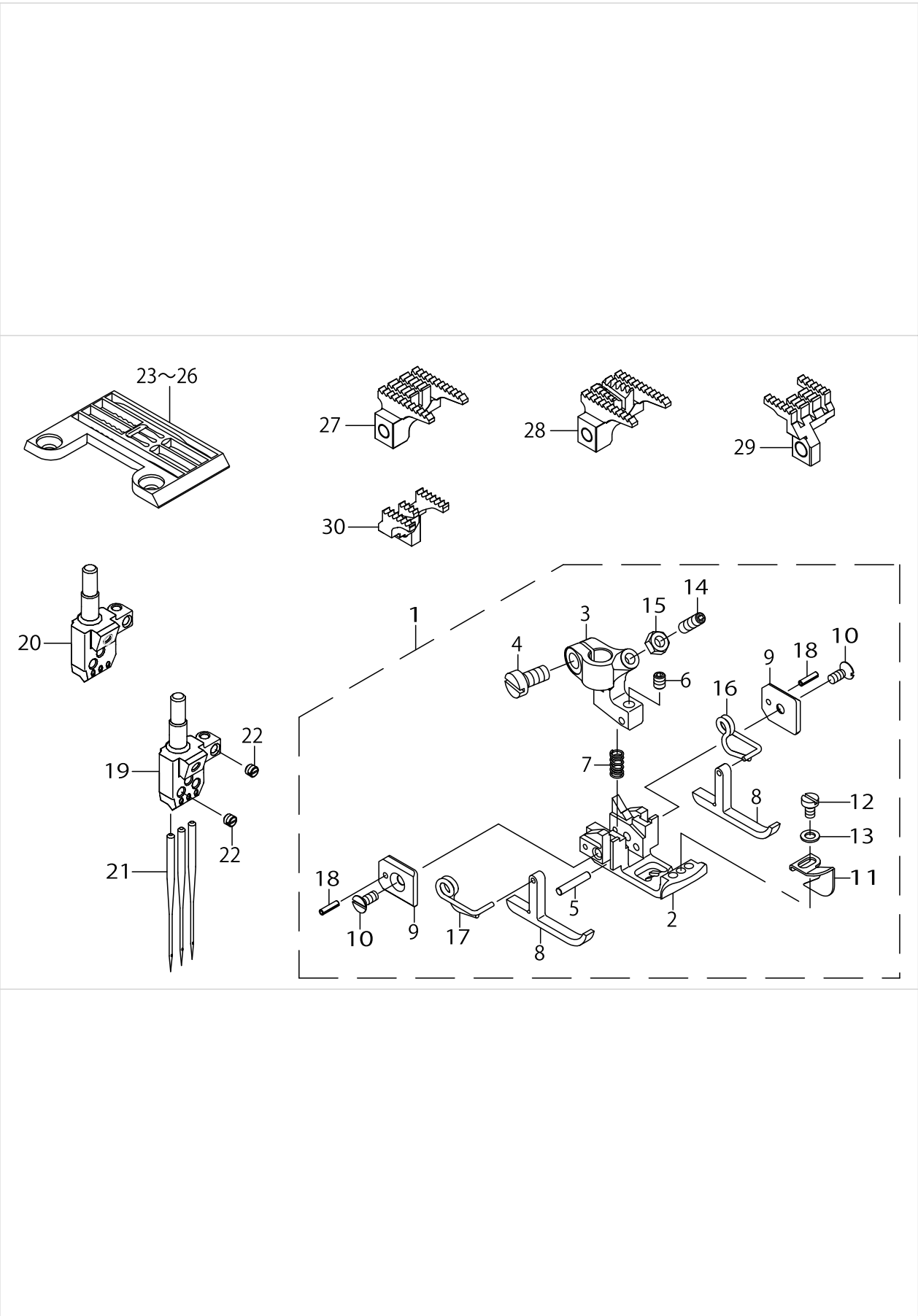
# THREAD STAND COMPONENTS



THREAD STAND COMPONENTS

No.	Parts No.	Parts name	Remarks	Level	Cons	Qty
1	40072506	THREAD STAND ASM.				1
2	NM6050001SE	NUT M5		*		6
3	WS0510002KN	SPRING WASHER		*		6
4	13168356	THREAD STANDING ARM ASM. ,LONG		*		2
5	13168307	THREAD STANDING ARM ,LONG		*		2
6	22931406	THREAD STANDING ROD RUBBER CAP		*		1
7	22930408	THREAD STANDING ROD, UPPER		*		1
8	22931307	THREAD STANDING ROD JOINT		*		1
9	40056675	THREAD GUIDE ARM BASE		*		1
10	13168000	THREAD GUIDE BASE, LOWER		*		1
11	13168109	THREAD GUIDE ARM		*		1
12	13168208	THREAD GUIDE ARM BASE		*		1
13	22930309	THREAD STANDING ROD, LOWER		*		1
14	22931109	SPOOL RETAINER		*		6
15	22931000	SPOOL PIN		*		6
16	22930903	SPOOL REST CUSHION		*		6
17	22930804	SPOOL REST		*		6
18	SM6061610SC	SCREW M6 L=16		*		4
19	SM4051405SE	SCREW M5 L=14		*		2
20	NM6050001SE	NUT M5		*		2
21	SM4041001SC	SCREW M4X0.7 L=10		*		2
22	NM6040002SE	NUT M4X0.7		*		2
23	SM4041201SC	SCREW M4 L=12		*		1
24	SM4042001SC	SCREW M4 X 20		*		1
25	NM6040002SE	NUT M4X0.7		*		2
26	WP1612616SE	WASHER 16X30X2.6		*		2
27	WS1643202KR	SPRING WASHER		*		1
28	NM6160511SE	NUT M16X1.5		*		2
29	22930705	THREAD GUIDE ARM JOINT		*		4

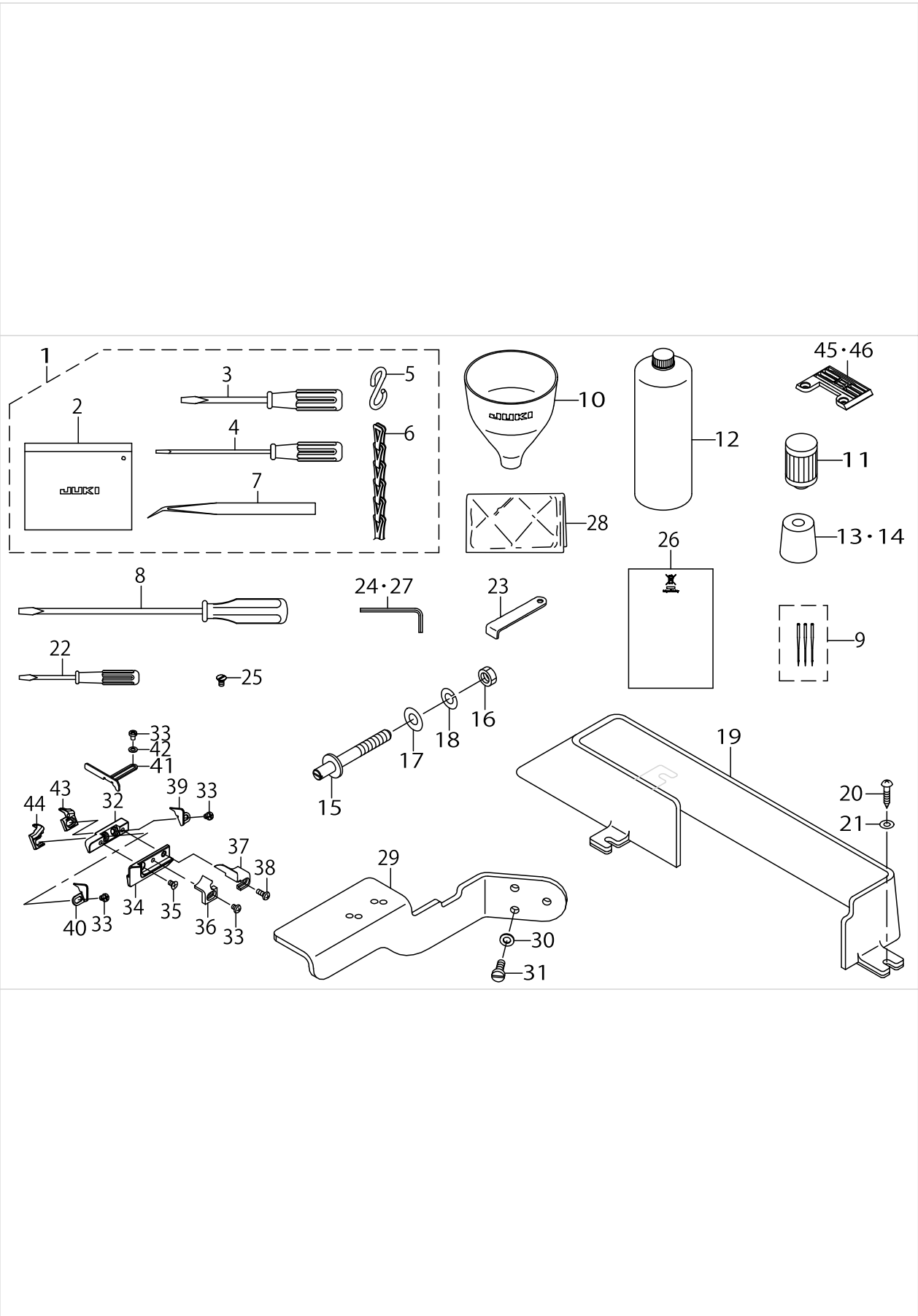
GAUGE PARTS COMPONENTS



GAUGE PARTS COMPONENTS

No.	Parts No.	Parts name	Remarks	Level	Cons	Qty
1	40082974	PRESSER_FOOT_ASSY			☆	1
2	40082975	PRESSER_FOOT_BOTTOM		*		1
3	40070224	PRESSER_FOOT_HINGE		*		1
4	SM6040800SP	SCREW		*		1
5	13375209	PIVOT_PIN		*		1
6	SM8030412TP	SCREW		*		1
7	13377106	SPRING		*		1
8	40070226	P_F_YIELDING_SECTION		*		2
9	40070227	GUIDE_PLATE		*		2
10	SM1850600SP	SCREW		*		2
11	40070231	PRESSER_FOOT_GUIDE		*		1
12	SM6850400SP	SCREW M2.5 L=4		*		1
13	WP0280500SC	WASHER		*		1
14	SM8031002TP	SCREW		*		1
15	NM6030001SD	NUT M3X0.5		*		1
16	40070230	SPRING_R		*		1
17	40070229	SPRING_L		*		1
18	PS0150065KP	SPRING PIN 1.5X6		*		2
19	13350301	NEEDLE_HEAD_56	FOR MF-7223D-K10-B56, FOR MF-7223D-U10-B56		☆	1
20	13350400	NEEDLE_HEAD_64	FOR MF-7223D-K10-B64, FOR MF-7223D-U10-B64		☆	1
21	MUY128S1000	NEEDLE			☆	3
22	SM8030350TP	SCREW			☆	4
23	40086230	THROAT_PLATE			☆	1
24	40090240	THROAT_PLATE			☆	1
25	40086242	THROAT_PLATE			☆	1
26	40086241	THROAT_PLATE			☆	1
27	40086228	MAIN_FEED_DOG	FOR MF-7223D-U10-B56, FOR MF-7223D-U10-B64		☆	1
28	40086231	MAIN_FEED_DOG	FOR MF-7223D-K10-B56, FOR MF-7223D-K10-B64		☆	1
29	40086229	DIFF_FEED_DOG	FOR MF-7223D-U10-B56, FOR MF-7223D-U10-B64		☆	1
30	40090243	DIFF_FEED_DOG_ASSY	FOR MF-7223D-K10-B56, FOR MF-7223D-K10-B64		☆	1

ACCESSORIES PARTS COMPONENTS



ACCESSORIES PARTS COMPONENTS

No.	Parts No.	Parts name	Remarks	Level	Cons	Qty
1	40013913	ACCESSORY_BAG_ASSY				1
2	22932800	ACCESSORIE BAG		*		1
3	22933105	SCREW DRIVER,MIDDLE		*		1
4	12347308	SCREW DRIVER (SMALL)		*		1
5	13160304	S SHAPED HOOK		*		1
6	26037903	CHAIN		*		1
7	12288403	TWEEZERS		*		1
8	22933006	SCREW DRIVER,LARGE				1
9	MUY128S1003	NEEDLES(PACKAGE_OF_3)				1
10	13160601	FUNNEL				1
11	13142500	CARTRIDGE FILTER				1
12	MML018900CA	JUKI MACHINE OIL 18				1
13	40072505	ISOLATOR				1
14	13155403	DUST-PROOF RUBBER				3
15	13349600	PIN_FOR_RUBBER_CUSHION				4
16	NM6080003SC	NUT M8				4
17	WP0851216SC	WASHER 8.5X18.0X1.2				4
18	WS0820002KR	SPRING WASHER, M8				4
19	13429709	BELT_COVER				1
20	SK3412001SE	WOOD SCREW D=4.1 L=20				3
21	WP0450826SC	WASHER 4.5X10X0.8				3
22	22933204	SCREW DRIVER,SMALL				1
23	B9101490000	DRIVER				1
24	J106600000A	HEXAGONAL ROD SPANNER 1.5MM				1
25	13302203	SCREW				1
26	CM600100201	WEEE INFORMATION SHEET				1
27	J106600000B	HEXAGONAL WRENCH KEY (2MM)				1
28	40066645	HEAD_COVER				1
29	40086330	SUPPORT_COVER				1
30	WP0531000SC	WASHER 5.3X10X1				3
31	SM6051400SP	SCREW				3
32	40086239	BRACKET_S				1
33	SM4030455SP	SCREW			☆	5
34	40086238	BRACKET_L				1
35	SM1030501SN	SCREW			☆	1
36	40086244	COVERING_GUARD_L				1
37	40086243	COVERING_GUARD_R				1
38	SM4030855SN	SCREW M3 L=8.0			☆	1
39	40086331	GUIDE_RIGHT				1
40	40086332	GUIDE_LEFT				1
41	40086333	CLOTH_GUIDE				1
42	WP0320500SC	WASHER M3			☆	2
43	40086233	COVERING_GUARD_R				1
44	40086234	COVERING_GUARD_L				1
45	40086227	THROAT_PLATE	FOR MF-7223D-U10-B56		☆	1
46	40090245	THROAT_PLATE	FOR MF-7223D-U10-B64		☆	1

## HOW TO MAKE USE OF THIS PARTS LIST

1.As to "#01" and "#02" refer to the "Note" given at the bottom of the respective pages.

2.Codes on the "Qty" column

- Each numeral indicates the number of parts required.
- "0.1" and "2.5" indicate the length (in meters) of the respective parts.

3.Parentheses mean that the corresponding part is a subpart that constructs an assembly part.

4.Dotted lines on the Figures indicate assembly parts.

5.As to the parts with marks of "☆"(Consumable parts)and "◎"(optional parts)on the respective parts, it is recommended to prepare spares.

1. リストページの#01、#02の印は、ページ下の"注記"の説明を参照下さい。
2. 数量欄の数字は、個数を表し、0.1、2.5等の数値は、長さ（単位メートル）を表します。
3. 数量欄の（ ）は、組部品を構成している子部品であることを意味します。
4. イラストページの-----枠は、組構成であることを意味します。
5. リストページの"☆"（消耗部品）、"◎"（オプション部品）の印が付いた部品は、予備を準備しておくことをお奨めします。

NUMERICAL INDEX OF PARTS

PART NO	PAGE	REF NO.	PART NO	PAGE	REF NO.	PART NO	PAGE	REF NO.
10111003	10	64	13309109	8	38	13323407	20	28~30
10111003	32	13	13309208	8	30	13323506	20	28~30
10753309	2	14	13313101	12	25	13324009	8	15
11846805	32	7	13313309	12	26	13324108	8	55
12219705	4	1	13313408	12	27	13324108	10	55
12288403	52	7	13313606	12	33	13324207	8	17
12347308	52	4	13313705	12	29	13324306	26	3
13120605	22	55	13313804	12	37	13324504	26	5
13120605	38	19	13313903	12	40	13324603	26	8
13123302	14	76	13313952	12	39	13324702	26	10
13123302	18	88	13314109	12	44	13324801	26	12
13138201	42	22	13314406	14	51	13324900	26	13
13140504	42	9	13314505	14	58	13325006	26	15
13142500	44	43	13314703	14	56	13325105	26	17
13142500	52	11	13314752	14	55	13325204	26	23
13155403	52	13·14	13314802	14	54	13325402	26	28
13160304	52	5	13314901	14	59	13325600	26	34
13160601	52	10	13315007	14	49	13325709	26	31
13168000	48	10	13315106	14	61	13325808	28	57
13168109	48	11	13315205	12	47	13325907	28	58
13168208	48	12	13315304	14	63	13326004	28	59
13168307	48	5	13315353	14	62	13326103	28	60
13168356	48	4	13315502	14	67	13326202	28	61
13170105	44	33	13315551	14	66	13326301	28	48
13170402	30	35	13315601	14	72	13326350	26	47
13217401	18	91	13315650	14	71	13326400	28	49
13217500	18	90	13315700	14	73	13326509	28	51
13228200	44	16	13315809	14	74	13326608	28	53
13228309	44	12	13315908	12	30	13326707	28	63
13300801	2	17	13316203	12	41	13326806	12	16
13300900	2	4	13316302	12	34	13326905	26	37
13300959	2	3	13317300	20	27	13327002	26	40
13301007	2	8	13318001	20	45	13327101	26	43
13301304	2	9	13318308	22	56	13328208	30	5
13301700	2	21	13318704	20	81~83	13328802	30	21
13301809	4	13	13318704	22	81~83	13329206	30	28
13302203	4	19			81~	13329404	30	23
13302203	52	25	13318803	20	8381~	13331202	32	1
13302302	4	46			83	13331301	32	3
13307004	8	1	13318803	22	81~	13332101	32	43
13307251	8	4			83	13332606	20	96
13307301	8	7	13318902	20	81~83	13332606	22	96
13307459	8	9	13318902	22	81~83	13332606	24	96
13307509	8	11	13321203	18	82	13332705	32	27
13308309	8	41	13323308	20	28~30	13332903	32	25



# NUMERICAL INDEX OF PARTS

PART NO	PAGE	REF NO.	PART NO	PAGE	REF NO.	PART NO	PAGE	REF NO.
13333208	12	42	13410600	20	23~25	22930309	48	13
13333307	32	39	13410709	20	23~25	22930408	48	7
13333406	32	38	13410808	20	23~25	22930705	48	29
13333505	32	40	13411202	20	42	22930804	48	17
13333604	32	42	13411400	22	49	22930903	48	16
13337100	10	58	13411806	30	12	22931000	48	15
13338900	30	29	13414701	18	72	22931109	48	14
13340005	42	1	13415104	18	70	22931307	48	8
13340104	42	2	13415708	20	21	22931406	48	6
13340203	42	14	13415906	20	44	22932800	52	2
13340302	42	15	13417100	18	85	22933006	52	8
13340500	42	11	13422001	38	1	22933105	52	3
13340609	42	19	13422605	40	48	22933204	52	22
13340708	42	20	13422704	38	16	22945505	28	52
13341359	42	5	13422803	38	18	22945802	28	50
13341607	42	18	13422902	38	23	23612609	26	9
13343009	44	8	13423009	38	21	23629306	44	72
13343108	44	11	13423306	38	39	23629306	46	72
13343207	44	17	13423405	38	32	23630007	46	75
13343306	44	18	13423504	38	36	26037903	52	6
13343405	44	13	13423603	38	35	30391601	26	24
13343801	44	42	13423702	38	40	31013808	18	63
13344809	44	44	13423801	38	43	40004573	30	31
13345053	44	6	13423900	38	47	40004749	44	24
13345202	44	45	13424106	10	57	40013913	52	1
13346101	44	39	13424205	10	54	40018259	12	31
13348008	26	18	13424304	40	49	40024406	44	31
13349600	52	15	13424403	38	13	40032804	46	60
13350301	50	19	13424452	38	12	40033340	2	19
13350400	50	20	13424502	38	15	40033341	2	20
13375209	50	5	13424601	38	30	40033518	2	18
13377106	50	7	13424809	38	46	40040208	18	78
13399209	30	8	13426002	44	10	40042362	42	21
13402003	6	50	13426051	44	7	40042363	42	13
13402706	6	48	13426101	44	14	40042364	42	10
13406608	8	2	13426200	44	15	40042365	42	24
13406707	8	35	13426309	44	32	40042366	42	23
13406905	8	33	13426408	44	36	40056591	32	29
13407200	10	53	13427257	46	56	40056675	48	9
13407259	10	52	13427307	44	25	40065784	42	17
13407457	8	43	13429709	52	19	40065785	42	6
13408307	8	19	13474200	6	51	40066136	42	8
13408505	8	45	22901805	2	1	40066645	52	28
13409305	18	71	22902506	2	5	40070224	50	3
13409909	22	76	22924708	2	16	40070226	50	8

# NUMERICAL INDEX OF PARTS

PART NO	PAGE	REF NO.	PART NO	PAGE	REF NO.	PART NO	PAGE	REF NO.
40070227	50	9	40081402	30	10	40086031	18	67
40070229	50	17	40081954	2	11	40086032	18	73
40070230	50	16	40081956	2	12	40086035	18	80
40070231	50	11	40081965	8	26	40086036	18	79
40070559	12	28	40082974	50	1	40086037	18	59
40070573	12	24	40082975	50	2	40086038	18	49
40072505	52	13-14	40083514	44	1	40086039	16	30
40072506	48	1	40083520	30	3	40086040	20	39
40074338	2	28	40085967	4	14	40086041	22	65
40078277	10	67	40085969	4	15	40086042	20	40
40078278	8	21~23	40085970	4	23	40086044	22	50
40078279	8	21~23	40085971	4	20	40086046	16	4
40078280	8	21~23	40085973	2	31	40086046	24	102
40078282	8	24	40085974	4	38	40086047	18	55
40078283	8	13	40085977	4	29	40086051	16	37
40078284	8	14	40085981	4	33	40086051	22	71
40078285	12	2	40085982	4	34	40086052	16	47
40078290	12	3	40085983	4	36	40086053	16	31
40078291	12	10	40085984	4	30	40086054	16	33
40078292	12	4	40085985	6	52	40086055	16	28
40078293	14	78	40085988	4	26	40086056	16	41
40078293	30	33	40085995	28	65	40086057	16	1
40078294	12	13	40085996	26	30	40086058	18	48
40078295	12	14	40085997	28	66	40086059	22	79
40078296	12	21	40086002	4	28	40086061	22	90
40078299	12	19	40086003	4	39	40086062	16	14
40078300	12	20	40086006	4	42	40086063	16	36
40078301	12	7	40086009	8	34	40086064	16	17
40078302	12	12	40086010	10	63	40086065	22	66
40078303	12	6	40086011	10	62	40086066	16	18
40078304	12	8	40086014	8	47	40086068	24	95
40078305	12	11	40086015	10	65	40086071	16	7
40078306	12	5	40086016	16	22	40086072	20	32
40078307	12	46	40086017	20	1	40086073	16	39
40078309	30	11	40086018	22	64	40086073	22	74
40078310	30	7	40086019	18	54	40086074	16	2
40078311	30	13	40086020	20	14	40086075	20	20
40078312	30	16	40086021	16	20	40086076	16	6
40078313	30	17	40086022	22	86	40086077	22	68
40078314	30	18	40086023	20	19	40086078	22	62
40078316	30	25	40086026	16	26	40086079	18	51
40078317	12	18	40086027	18	66	40086080	22	92
40078318	30	1	40086028	18	62	40086081	16	45
40078319	30	4	40086029	18	68	40086082	22	72
40078320	12	1	40086030	18	61	40086083	20	15

# NUMERICAL INDEX OF PARTS

PART NO	PAGE	REF NO.	PART NO	PAGE	REF NO.	PART NO	PAGE	REF NO.
40086084	16	44	40086234	52	44	CM600100201	52	26
40086085	16	38	40086238	52	34	CQ200000000	16	35
40086087	22	77	40086239	52	32	CQ200000000	36	6
40086088	24	98	40086241	50	23~26	CQ202000000	20	84
40086089	18	52	40086242	50	23~26	CQ202000000	22	84
40086091	16	46	40086243	52	37	CQ252000000	16	56
40086092	18	64	40086244	52	36	CQ252000000	18	56
40086093	22	91	40086250	46	67	CQ252000000	22	89
40086099	18	86	40086251	46	58	CQ252000000	36	14
40086100	22	87	40086252	46	74	CQ303000000	20	85
40086112	32	6	40086254	44	40	CQ303000000	22	85
40086120	32	32	40086255	46	73	CS0640863SH	6	53
40086121	32	18	40086287	4	11	CS0800881TP	14	52
40086122	32	23	40086330	52	29	CS0800881TP	16	24
40086123	32	12	40086331	52	39	CS1000881TP	18	75
40086124	32	10	40086332	52	40	CS1000881TP	26	6
40086125	2	33	40086333	52	41	CS1000881TP	30	19
40086126	34	52	40086334	2	36	CS1000881TP	32	14
40086128	34	50	40086335	2	37	CS1000881TP	38	9
40086129	34	48	40086336	2	35	D3105481D00	2	44
40086131	34	49	40090240	50	23~26	EA9500B0100	46	76
40086136	32	16	40090243	50	30	GBR01166000	16	19
40086138	32	35	40090245	52	45·46	J106600000A	52	24·27
40086140	32	5	B1426180A00	20	9~12	J106600000B	52	24·27
40086141	32	34	B1426180B00	20	9~12	MAL01129000	4	21
40086142	32	46	B1426180C00	20	9~12	MML018900CA	52	12
40086143	2	29	B1426180D00	20	9~12	MUY128S1000	50	21
40086205	38	27	B1609804A00	20	4~8	MUY128S1003	52	9
40086206	36	1	B1609804B00	20	4~8	NM6030001SD	50	15
40086207	36	3	B1609804C00	20	4~8	NM6030001SN	32	41
40086208	36	7	B1609804D00	20	4~8	NM6040001SP	2	24
40086209	36	9	B1609804E00	20	4~8	NM6040001SP	22	60
40086210	36	4	B1834512000A	46	63	NM6040001SP	44	61
40086211	36	13	B2008372000	42	16	NM6040001SP	46	61
40086212	36	15	B2546232000	22	61	NM6040002SE	48	25
40086213	36	11	B3121804000	42	12	NM6050001SC	22	53
40086214	36	12	B3215470000	22	48	NM6050001SE	48	20
40086220	38	24	B3523280000	44	37	NM6050001SP	22	58
40086221	38	42	B9101490000	52	23	NM6050001SP	28	54
40086227	52	45·46	B9213850000	26	19	NM6050001SP	30	27
40086228	50	27	B9214850000	26	20	NM6050001SP	38	20
40086229	50	29	BP30000010R	44	71	NM6050001SP	44	28
40086230	50	23~26	BP30000010R	46	71	NM6050003SC	22	54
40086231	50	28	CM300200001	2	38	NM6050003SC	46	70
40086233	52	43	CM301200001	4	10	NM6060001CP	14	69

NUMERICAL INDEX OF PARTS

PART NO	PAGE	REF NO.	PART NO	PAGE	REF NO.	PART NO	PAGE	REF NO.
NM6080003SC	52	16	SM0081001SD	44	34	SM4051255SP	20	43
NM6160511SE	48	28	SM1030501SN	4	31	SM4051405SE	48	19
NS6110310SP	46	64	SM1030501SN	52	35	SM4061255SP	4	44
PH0300062C0	4	25	SM1030601SP	20	97	SM4850455SP	22	88
PS0150042K0	38	17	SM1030601SP	22	97	SM4850455SP	26	42
PS0150065KP	38	28	SM1030601SP	24	97	SM4850455SP	32	45
PS0150065KP	50	18	SM1040800SP	26	46	SM6020350SP	4	37
PS0150082KH	24	99	SM1040860SP	4	27	SM6030500SN	12	36
PS0150082KH	26	21	SM1850600SP	50	10	SM6030600SP	4	24
PS0250202KH	4	16	SM4030455SN	2	23	SM6040600SP	44	20
PS0500142KP	14	60	SM4030455SP	12	32	SM6040800SP	18	50
PS0500202KP	18	77	SM4030455SP	26	33	SM6040800SP	22	67
RC2071213KP	20	2	SM4030455SP	32	37	SM6040800SP	28	56
RC2251213KP	20	3	SM4030455SP	52	33	SM6040800SP	30	24
RC4381514KP	4	3	SM4030655SP	12	17	SM6040800SP	46	68
RC4881514KP	4	2	SM4030655SP	26	45	SM6040800SP	50	4
RE0300000K0	14	77	SM4030855SN	26	26	SM6040802TP	38	44
RE0300000K0	18	89	SM4030855SN	52	38	SM6040860TP	34	53
RE0500000K0	22	52	SM4040555SP	24	100	SM6041000SP	12	38
RE0800000K0	18	58	SM4040555SP	28	67	SM6041000SP	38	38
RO029180100	4	17	SM4040555SP	32	26	SM6041200SP	12	43
RO055200100	22	51	SM4040655SN	18	84	SM6041200SP	30	22
RO068190100	18	74	SM4040655SP	2	34	SM6041202TP	14	64
RO068190100	20	41	SM4040655SP	4	47	SM6041602TP	46	62
RO078190100	22	93	SM4040655SP	26	62	SM6042000SP	22	59
RO118240100	38	26	SM4040655SP	28	62	SM6043000SP	44	19
RO195240100	2	15	SM4040655SP	32	47	SM6050800SP	18	53
RO445300100	8	25	SM4040655SP	42	4	SM6051000SP	12	15
SB110002400	32	9	SM4040655SP	44	41	SM6051002TP	26	1
SB115002300	10	51	SM4040855SP	2	39	SM6051202TP	14	57
SB120001900	8	27	SM4040855SP	4	22	SM6051202TP	18	60
SB120002300	8	37	SM4041001SC	48	21	SM6051202TP	20	16
SB32600020A	38	3~7	SM4041055SP	2	13	SM6051400SP	22	57
SB32600020B	38	3~7	SM4041055SP	4	32	SM6051400SP	52	31
SB32600020C	38	3~7	SM4041055SP	26	14	SM6051402TP	26	11
SB32600020D	38	3~7	SM4041055SP	42	25	SM6051602TP	44	30
SB32600020E	38	3~7	SM4041055SP	44	46	SM6051802TP	4	40
SD0550906TP	10	56	SM4041201SC	48	23	SM6060800SP	2	26
SD0640246SP	2	25	SM4041655SP	42	7	SM6060800SP	14	50
SD0640246SP	32	20	SM4042001SC	48	24	SM6061002TP	14	48
SD0700206TP	12	45	SM4050655SP	2	32	SM6061200SP	8	32
SD0700586TP	14	65	SM4050655SP	18	81	SM6061202TP	14	70
SD0700716TH	16	43	SM4050855SP	2	42	SM6061402TP	8	18
SD0701186TH	16	32	SM4051055SP	10	60	SM6061402TP	30	6
SK3412001SE	52	20	SM4051255SP	2	43	SM6061402TP	38	14

NUMERICAL INDEX OF PARTS

PART NO	PAGE	REF NO.	PART NO	PAGE	REF NO.	PART NO	PAGE	REF NO.
SM6061610SC	48	18	SM8060552TP	24	103	WP0280501SC	32	30
SM6061802TP	32	8	SM8060552TP	32	17	WP0320500SC	52	42
SM6081802TP	44	35	SM8060612TP	8	44	WP0320501SC	26	44
SM6850400SP	50	12	SM8060612TP	18	69	WP0320501SC	32	36
SM6850502TN	38	29	SM8060612TP	22	80	WP0410516SD	32	21
SM8030312TP	26	25	SM8060612TP	30	15	WP0430801SC	2	40
SM8030350TP	50	22	SM8060812TP	8	42	WP0450801SC	28	68
SM8030412TP	50	6	SM8060842TP	8	49	WP0450826SC	18	83
SM8031002TP	50	14	SM8060842TP	10	49	WP0450826SC	28	55
SM8040312TP	16	27	SM8061212TP	8	36	WP0450826SC	52	21
SM8040360TP	4	49	SM8080812TP	2	45	WP0460556SD	14	75
SM8040360TP	6	49	SM8080812TP	8	31	WP0460556SD	18	87
SM8040410TP	12	35	SM8550952TP	10	61	WP0522016SH	26	4
SM8040412TP	10	66	SM9061050TP	30	14	WP0531000SC	52	30
SM8040412TP	16	40	SM9062550TP	14	68	WP0550800SP	30	26
SM8040412TP	20	78	SQ0000451MZ	44	21	WP0550800SP	44	29
SM8040412TP	22	78	SQ0000452MZ	46	50	WP0612066SP	6	54
SM8040412TP	30	9	SQ0000453MZ	44	47	WP0621016SD	18	92
SM8040412TP	36	16	SQ0000454MZ	46	48	WP0702026SP	12	22
SM8040412TP	38	45	SQ2050391SD	46	59	WP0851216SC	52	17
SM8040512TP	16	23	SQ2050452MZ	44	69	WP1021026SH	18	57
SM8040512TP	20	33	SQ2050452MZ	46	69	WP1022016SH	30	30
SM8040512TP	36	2	SQ2060442SD	46	57	WP1612616SE	48	26
SM8040602TP	20	46	SQ2060443SD	44	51	WS0510002KN	28	64
SM8040642TP	32	11	SQ2060443SD	46	51	WS0510002KN	48	3
SM8050412TP	14	53	SQ2060451MZ	44	23	WS0510002KP	10	59
SM8050412TP	16	76	ST4040851SN	26	22	WS0510002KP	26	2
SM8050412TP	18	76	TA0400301M0	38	8	WS0651310KP	4	43
SM8050412TP	26	7	TA0570601M0	4	45	WS0820002KR	52	18
SM8050412TP	30	20	TA0600401R0	30	32	WS1643202KR	48	27
SM8050412TP	32	15	TA0600401R0	38	31	WZ0641510KP	2	22
SM8050412TP	38	10	TA0850604R0	4	6	WZ0641510KP	32	22
SM8050412TP	44	9	TA0900502R0	4	12	WZ1052010KP	12	23
SM8050512TP	8	46	TA1050504R0	2	6			
SM8050512TP	20	22	TA1250406R0	4	5			
SM8050612TP	20	13	TA1270502R0	2	41			
SM8050612TP	32	4	TA1701002R0	4	7			
SM8050612TP	38	2	TA1900502R0	4	8			
SM8050642TP	32	2	TA2050406R0	4	4			
SM8050642TP	38	11	TA2050416R0	24	101			
SM8050812TP	22	94	TA2351004R0	2	27			
SM8050812TP	38	25	TA2351004R0	4	9			
SM8060412TP	30	34	WP0280500SC	32	44			
SM8060552TP	10	50	WP0280500SC	50	13			
SM8060552TP	16	5	WP0280501SC	26	41			