

MODEL : IP-110 TYPE-F

List No : 1536-00

# PARTS LIST

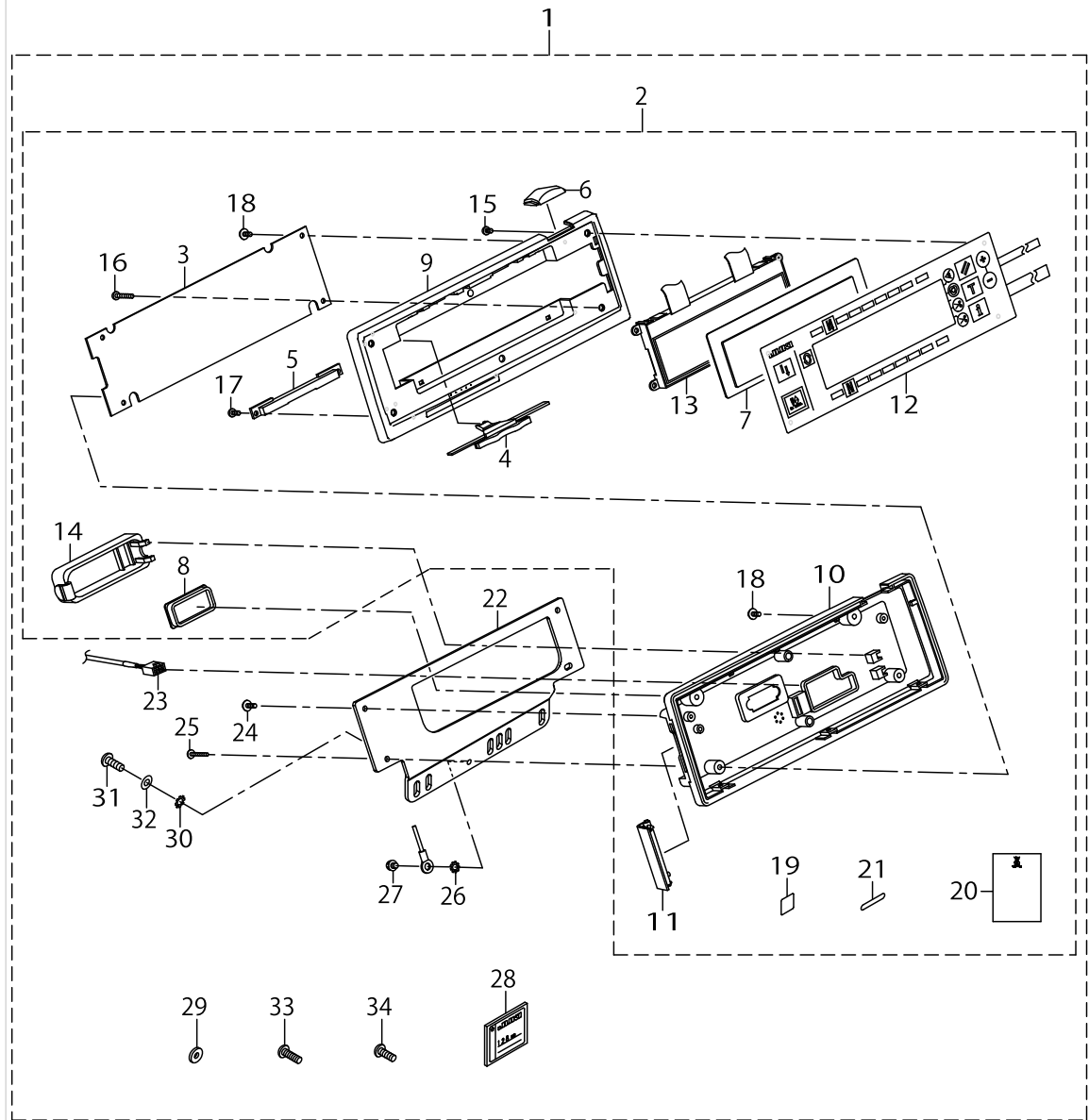
Published:09/10/2017

## CONTENTS

---

IP-110 TYPE F.....	1
HOW TO MAKE USE OF THIS PARTS LIST .....	3

# TYPE F



IP-110 TYPE F

No.	Parts No.	Parts name	Remarks	Level	Cons	Qty
1	40090136	IP-110 TYPE-F COMPLETE				1
2	40090154	IP-110 TYPE-F ASSY		*		1
3	40090137	PANEL PCB ASSY		*		1
4	40005844	SPEED ADJUSTING KNOB		*		1
5	40005845	SPEED KNOB SUPPORT		*		1
6	40005846	INDICATION WINDOW		*		1
7	40005847	LCD COVER		*		1
8	40005848	D-SUB 9P COVER		*		1
9	40055002	FRONT PANEL		*		1
10	40055005	BACK PANEL		*		1
11	40055007	COMPACTFLASH COVER		*		1
12	40055194	PANEL SHEET ASSY		*		1
13	KG000000140	LCD		*		1
14	M1003371000	CORD EXIT COVER		*		1
15	SM4030601SC	SCREW M3 X 6		*		3
16	SM4032001SC	SCREW M3X0.5 L=20		*		1
17	ST4030851SN	SCREW		*		2
18	SV4030802SN	TAPPING SCREW WITH FLANGE M3X8		*		5
19	CM600100101	WEEE MARK LABEL S		*		1
20	CM600100201	WEEE INFORMATION SHEET		*		1
21	40090146	TYPE LABEL F2A		*		1
22	40091998	PANEL BRACKET F ASSY		*		1
23	40090221	PANEL CABLE F ASSY		*		1
24	SV4031001SN	SCREW		*		2
25	SV4032502SN	SCREW		*		2
26	WT0430002KN	WASHER M4		*		1
27	SL4040691SC	SCREW M4 L=6		*		1
28	40091100	COMPACTFLASH (TM) TYPE-F	OPTIONAL PARTS	*		1
29	B1144771000	FRAME SIDE COVER GASKET (C)		*		2
30	WT0530002KS	TOOTHED WASHER D=5.3		*		2
31	SM4051255SP	SCREW M5 L=12		*		2
32	WP0531000SD	WASHER M5		*		2
33	SM4051655SP	SCREW M5 L=16		*		2
34	SS4121415SP	SCREW 3/16-28 L=14		*		2

## HOW TO MAKE USE OF THIS PARTS LIST

1.As to "#01" and "#02" refer to the "Note" given at the bottom of the respective pages.

2.Codes on the "Qty" column

- Each numeral indicates the number of parts required.
- "0.1" and "2.5" indicate the length (in meters) of the respective parts.

3.Parentheses mean that the corresponding part is a subpart that constructs an assembly part.

4.Dotted lines on the Figures indicate assembly parts.

1. リストページの# 0 1、# 0 2の印は、ページ下の"注記"の説明を参照下さい。
2. 数量欄の数字は、個数を表し、0. 1、2. 5等の数値は、長さ（単位メートル）を表します。
3. 数量欄の（ ）は、組部品を構成している子部品であることを意味します。
4. イラストページの-----枠は、組構成であることを意味します。

## NUMERICAL INDEX OF PARTS

PART NO	PAGE	REF NO.
40005844	2	4
40005845	2	5
40005846	2	6
40005847	2	7
40005848	2	8
40055002	2	9
40055005	2	10
40055007	2	11
40055194	2	12
40090136	2	1
40090137	2	3
40090146	2	21
40090154	2	2
40090221	2	23
40091100	2	28
40091998	2	22
B1144771000	2	29
CM600100101	2	19
CM600100201	2	20
KG000000140	2	13
M1003371000	2	14
SL4040691SC	2	27
SM4030601SC	2	15
SM4032001SC	2	16
SM4051255SP	2	31
SM4051655SP	2	33
SS4121415SP	2	34
ST4030851SN	2	17
SV4030802SN	2	18
SV4031001SN	2	24
SV4032502SN	2	25
WP0531000SD	2	32
WT0430002KN	2	26
WT0530002KS	2	30