

MODEL : DDL-9000B

List No : 1532-04

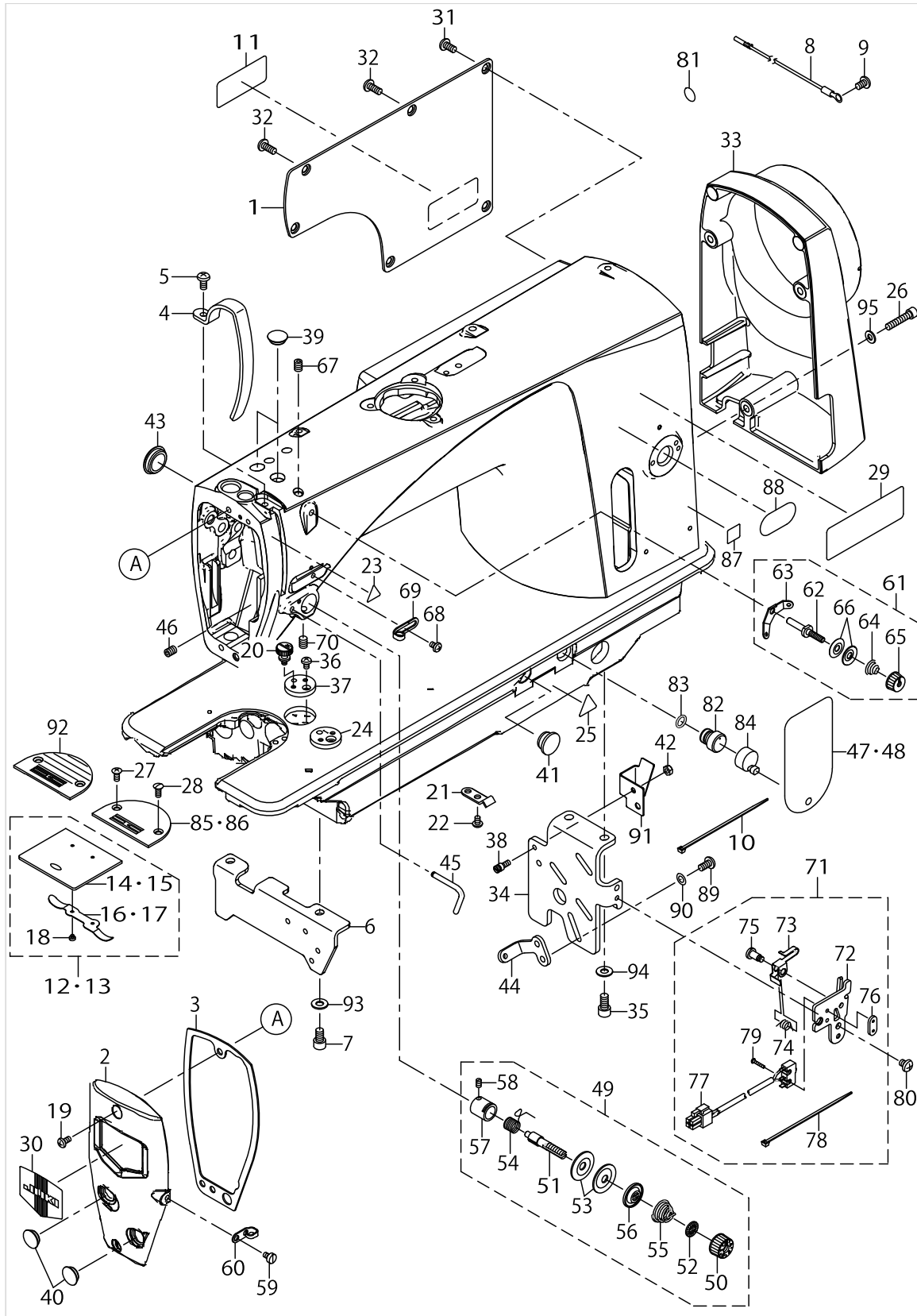
PARTS LIST

Published:09/10/2017

CONTENTS

MACHINE FRAME & MISCELLANEOUS COVER COMPONENTS	1
BOBBIN WINDER COMPONENTS.....	7
MAIN SHAFT & NEEDLE BAR COMPONENTS.....	9
HAND LIFTER & TENSION RELEASE COMPONENTS.....	13
FEED ADJUST MECHANISM COMPONENTS	17
HORIZONTAL FEED, VERTICAL FEED & HOOK DRIVING SHAFT COMPONENTS.....	19
THREAD TRIMMER COMPONENTS	23
OIL LUBRICATION COMPONENTS	27
AUTOMATIC REVERSE FEED COMPONENTS.....	31
WIPER COMPONENTS (FOR DDL-9000B-**-WB)	33
THREAD STAND COMPONENTS.....	35
UNDER COVER COMPONENTS.....	37
ACCESSORIE PART COMPONENTS.....	39
EXCLUSIVE PARTS DDL-9000B DS	41
EXCLUSIVE PARTS DDL-9000B MS,MA	43
EXCLUSIVE PARTS DDL-9000B SH.....	45
TABLE & STAND COMPONENTS.....	49
SPECIAL ORDER PART	51
LIST FOR INFORMATION OF CHANGE (1).....	53
LIST FOR INFORMATION OF CHANGE (2).....	54
HOW TO MAKE USE OF THIS PARTS LIST	55

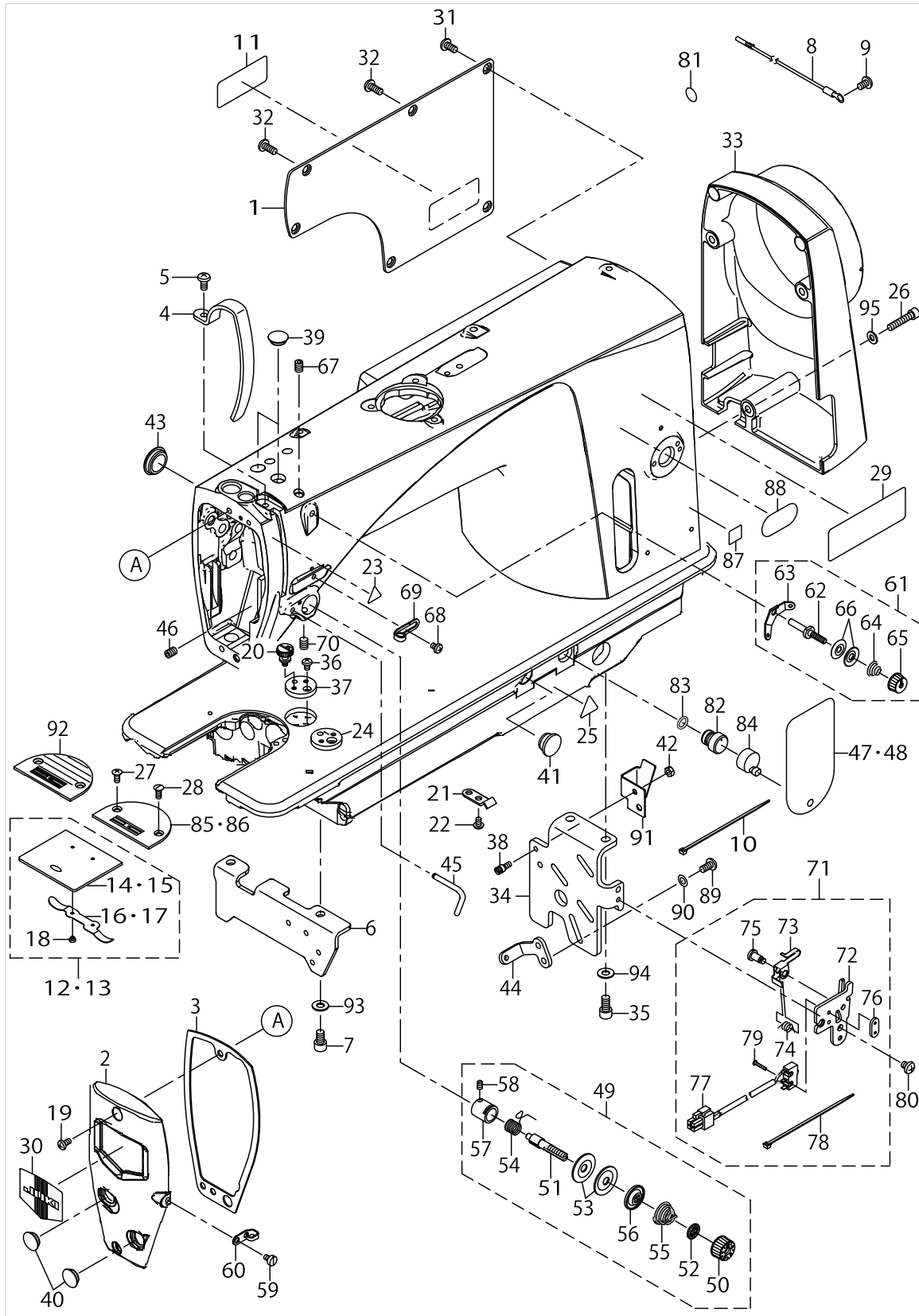
MACHINE FRAME & MISCELLANEOUS COVER COMPONENTS



MACHINE FRAME & MISCELLANEOUS COVER COMPONENTS

No.	Parts No.	Parts name	Remarks	Level	Cons	Qty
1	40037158	SIDE PLATE				1
2	40041161	FACE PLATE				1
3	40052819	FACE PLATE PACKING				1
4	23600505	THREAD TAKE-UP LEVER COVER				1
5	SM4051055SP	SCREW				1
6	40086713	BED_STUD_A				1
7	SM6061002TP	SCREW M6 L=10				2
8	22951552	GROUND WIRE ASM.				1
9	SM4050855SP	SCREW				1
10	EA9500B0100	CABLE BAND				1
11	40094561	SEWING MACHINE LABEL (EU)	FOR BB			1
12	22901250	SLIDE PLATE ASM.	FOR BB,EE			1
13	22902753	SLIDE PLATE ASM.	FOR AA,GG			1
14	22901201	SLIDE PLATE		*		1
15	22902704	SLIDE PLATE		*		1
16	22901300	SLIDE PLATE SPRING		*		1
17	22901300	SLIDE PLATE SPRING		*		1
18	SS6060210SP	SCREW 3/32-56 L=1.9		*		2
19	SM4050855SP	SCREW				2
20	40069110	ATTACHMENT FIXATION SCREW	OPTIONAL PARTS			1
21	22944508	WIRE PRESSER A				1
22	SM4040855SP	SCREW				1
23	CM300200001	ATTENTION SEAL				1
24	40069097	RULER PLATE I	OPTIONAL PARTS			1
25	CM300200003	ATTENTION LABEL				1
26	SM6052502TP	SCREW M5X25				3
27	SM2040955TP	SCREW M4 L=8.5				1
28	SM2040750TP	SCREW M4 L=7.4				1
29	CM301300001	SAFETY LABEL				1
30	22902506	FACE PLATE				1
31	SM4051055SP	SCREW				4
32	SM4051255SP	SCREW M5 L=12				2
33	40086732	PULLEY_COVER				1
34	40086714	BED_STUD_B				1
35	SM6061202TP	SCREW M6 L=12				2
36	SM4040655SP	SCREW M4 L=6				1
37	40035589	RULER PLATE				1
38	40091461	FEED LEVER SPRING HOOK				1
39	TA1250406R0	RUBBER PLUG D=12.5 L=4				2
40	TA1250406R0	RUBBER PLUG D=12.5 L=4				2
41	TA1470704R0	RUBBER PLUG				1
42	NM6040001SP	NUT M4X0.7				1
43	TA1250406R0	RUBBER PLUG D=12.5 L=4				1
44	40114043	FEED_ADJUSTING_SPRING_PLATE				1
45	40052933	ARM THREAD GUIDE C				1
46	SM80608A2TP	SCREW M6 L=8				1
47	23640006	SHEET				1

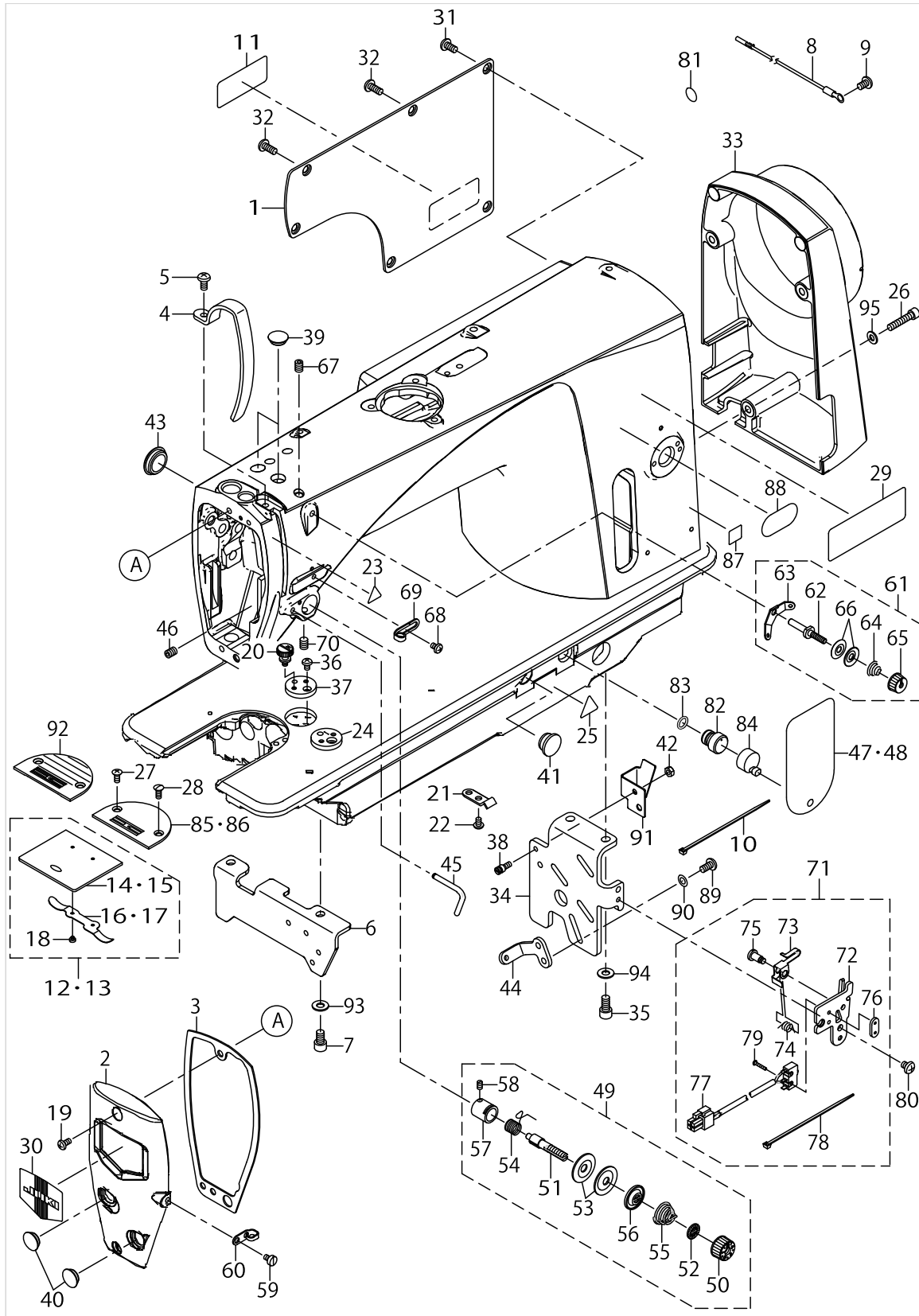
MACHINE FRAME & MISCELLANEOUS COVER COMPONENTS



MACHINE FRAME & MISCELLANEOUS COVER COMPONENTS

No.	Parts No.	Parts name	Remarks	Level	Cons	Qty
48	40037488	SHEET	FOR GG			1
49	40086639	THREAD_TENSION_DISK_ASM.				1
50	23626005	THREAD TENSION NUT		*		1
51	22921209	THREAD TENSION POST		*		1
52	22921407	ROTATION STOPPER		*		1
53	22921506	THREAD TENSION DISK		*		2
54	22921605	THREAD TAKE-UP SPRING		*	☆	1
55	22921704	THREAD TENSION SPRING A		*		1
56	22921803	DISK STOPPER		*		1
57	40086640	TENSION_POST_SOCKET_ASM.		*		1
58	SS8090670SP	SCREW 9/64-40 L=5.5		*		1
59	SS6110610TP	SCREW 11/64-40 L=6				1
60	22920607	ARM THREAD GUIDE B				1
61	22963458	THREAD TENSION ASM.				1
62	22945414	THREAD TENSION POST		*		1
63	22945604	THREAD TENSION GUIDE		*		1
64	22963409	THREAD TENSION SPRING		*		1
65	22945703	THREAD TENSION NUT		*		1
66	22945802	THREAD TENSION DISK		*		2
67	SM80608A2TP	L=8SCREW M6 L=8				1
68	SM5040655SN	SCREW				1
69	23626104	ARM THREAD GUIDE A				1
70	SM80608A2TP	L=8SCREW M6 L=8				1
71	40086659	SAFETY_SWITCH_ASM.				1
72	40086660	SAFETY_SWITCH_BASE		*		1
73	23638109	SAFETY SWITCH ARM		*		1
74	23638208	SAFETY SWITCH SPRING		*		1
75	23638307	SAFETY SWITCH ARM SHAFT		*		1
76	23638406	SAFETY SWITCH NUT		*		1
77	40098386	SAFETY_SWITCH_CORD_ASM.		*		1
78	EA9500B0100	CABLE BAND		*		1
79	SM4021201SC	SCREW M2 L=12		*		2
80	SM4050655SP	SCREW M5 L=6				1
81	22901805	GROUND MARK				1
82	23629900	AIR-DISCHARGING				1
83	RO080150200	RUBBER RING				1
84	23601305	AIR-DISCHARGING CAP				1
85	B1109012I0B	THROAT PLATE (I)	FOR AA,BB			1
86	11028008	THROAT PLATE	FOR EE			1
87	CM600100101	WEEE MARK LABEL S	FOR BB			1
88	CM600600101	CHINA ENVIRONMENT LABEL	FOR GG			1
89	SM4051055SP	SCREW				2
90	WP0550800SP	WASHER 5.5X10X0.8				2
91	40091397	CABLE COVER				1
92	B1109552000	THROAT PLATE	FOR GG			1
93	WP0621016SD	WASHER 6.2X13X1				2
94	WP0621016SD	WASHER 6.2X13X1				2

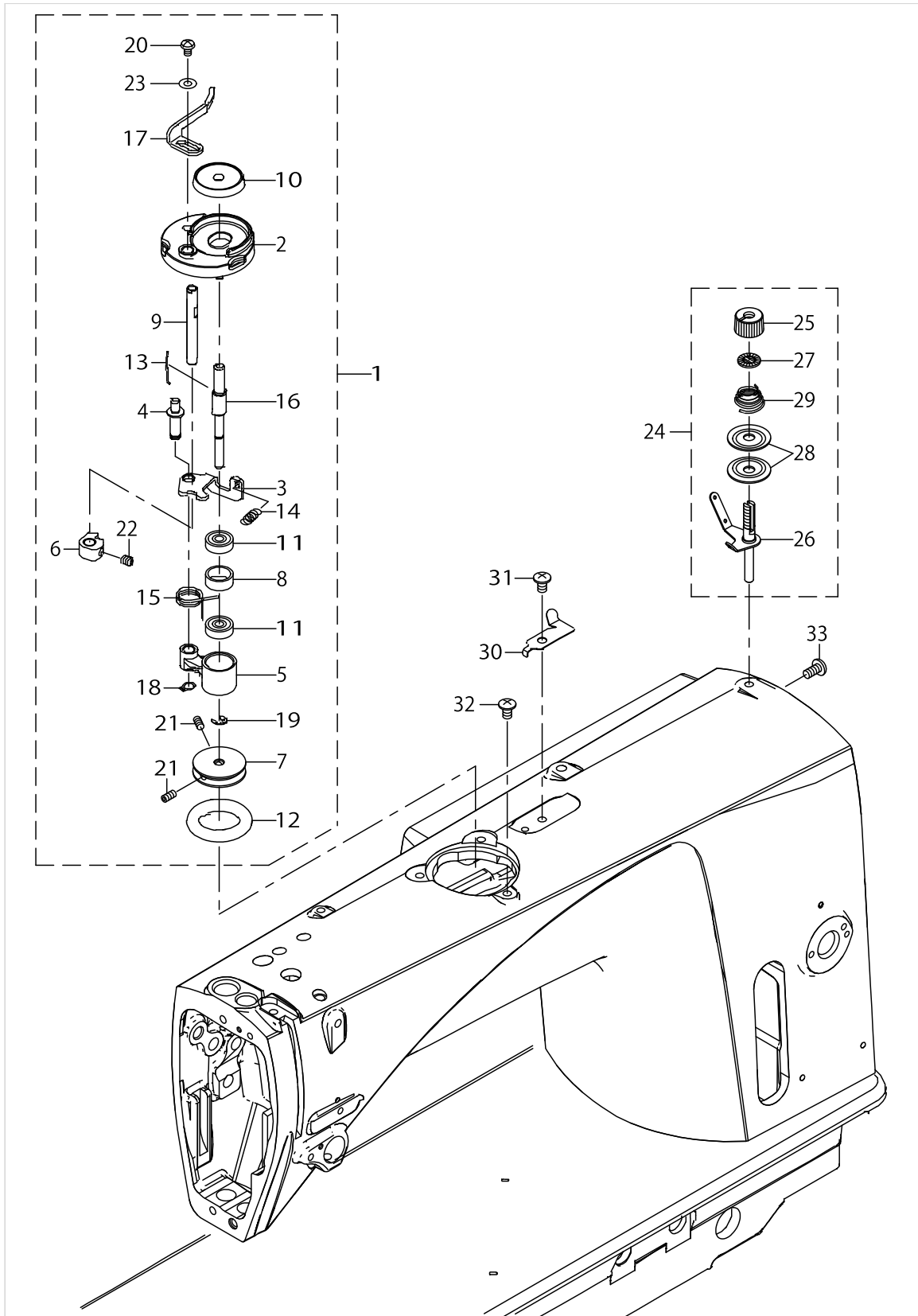
MACHINE FRAME & MISCELLANEOUS COVER COMPONENTS



MACHINE FRAME & MISCELLANEOUS COVER COMPONENTS

No.	Parts No.	Parts name	Remarks	Level	Cons	Qty
95	WP0501016SD	WASHER 5X10.5X1				3

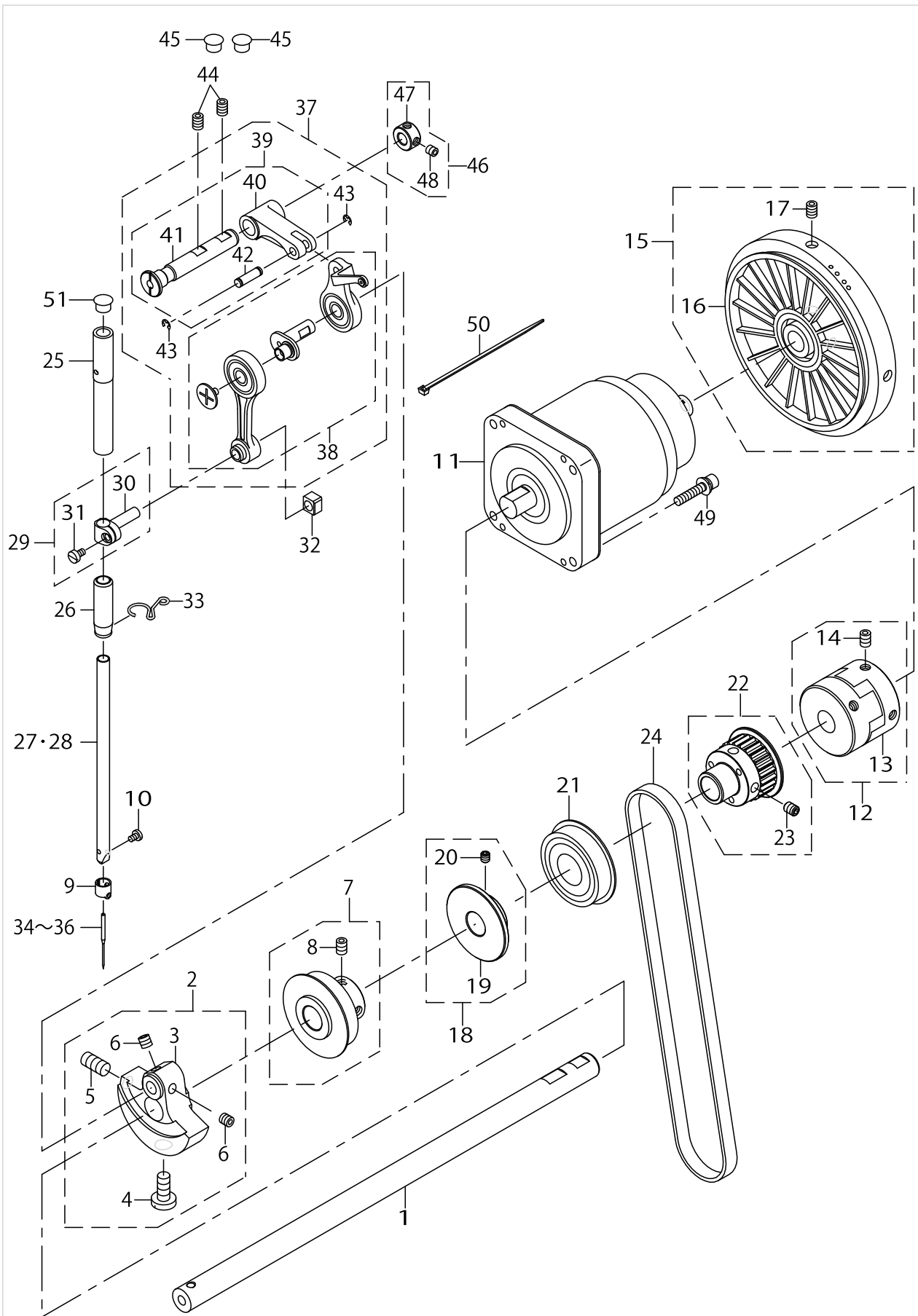
BOBBIN WINDER COMPONENTS



BOBBIN WINDER COMPONENTS

No.	Parts No.	Parts name	Remarks	Level	Cons	Qty
1	40023021	BOBBIN WINDER UNIT				1
2	26260109	BTW_BASE		*		1
3	26260208	BTW_CAM_PLATE		*		1
4	26260307	BTW_BASE_SHAFT		*		1
5	26260406	BTW_SHAFT_BASE		*		1
6	26260505	BTW_CAM_LEVER		*		1
7	26260604	BTW_WHEEL		*		1
8	26260802	BTW_BEARING_SPACER		*		1
9	26261008	BTW_LEVER_SHAFT		*		1
10	26261206	BTW_SPACER		*		1
11	26261305	BTW_BEARING		*		2
12	26261503	BTW_WHEEL_RUBBER		*	☆	1
13	26261602	BOBBIN_SPRING		*	☆	1
14	26261701	BTW_SPRING		*		1
15	40011144	BTW_TORSION_SPRING		*		1
16	40014837	BTW_SHAFT		*		1
17	40023022	BTW LEVER		*		1
18	RC0560711KP	RETAINING RING		*		1
19	RE0400000K0	E-RING 4		*		1
20	SM5040655SN	SCREW		*		1
21	SM8040802TP	SCREW M4X8		*		2
22	SM8050502TP	SCREW M5 L=5		*		1
23	WP0450826SC	WASHER 4.5X10X0.8		*		1
24	40088958	BOBBIN THREAD TENSION ASM.				1
25	22921308	THREAD TENSION NUT		*		1
26	40088959	BOBBIN THREAD TENSION ROD ASM.		*		1
27	22921407	ROTATION STOPPER		*		1
28	22921506	THREAD TENSION DISK		*		2
29	22921704	THREAD TENSION SPRING A		*		1
30	40037008	THREAD_CUTTER			☆	1
31	SM0050801SC	SCREW				1
32	SM0050801SC	SCREW				3
33	SM4051055SP	SCREW				1

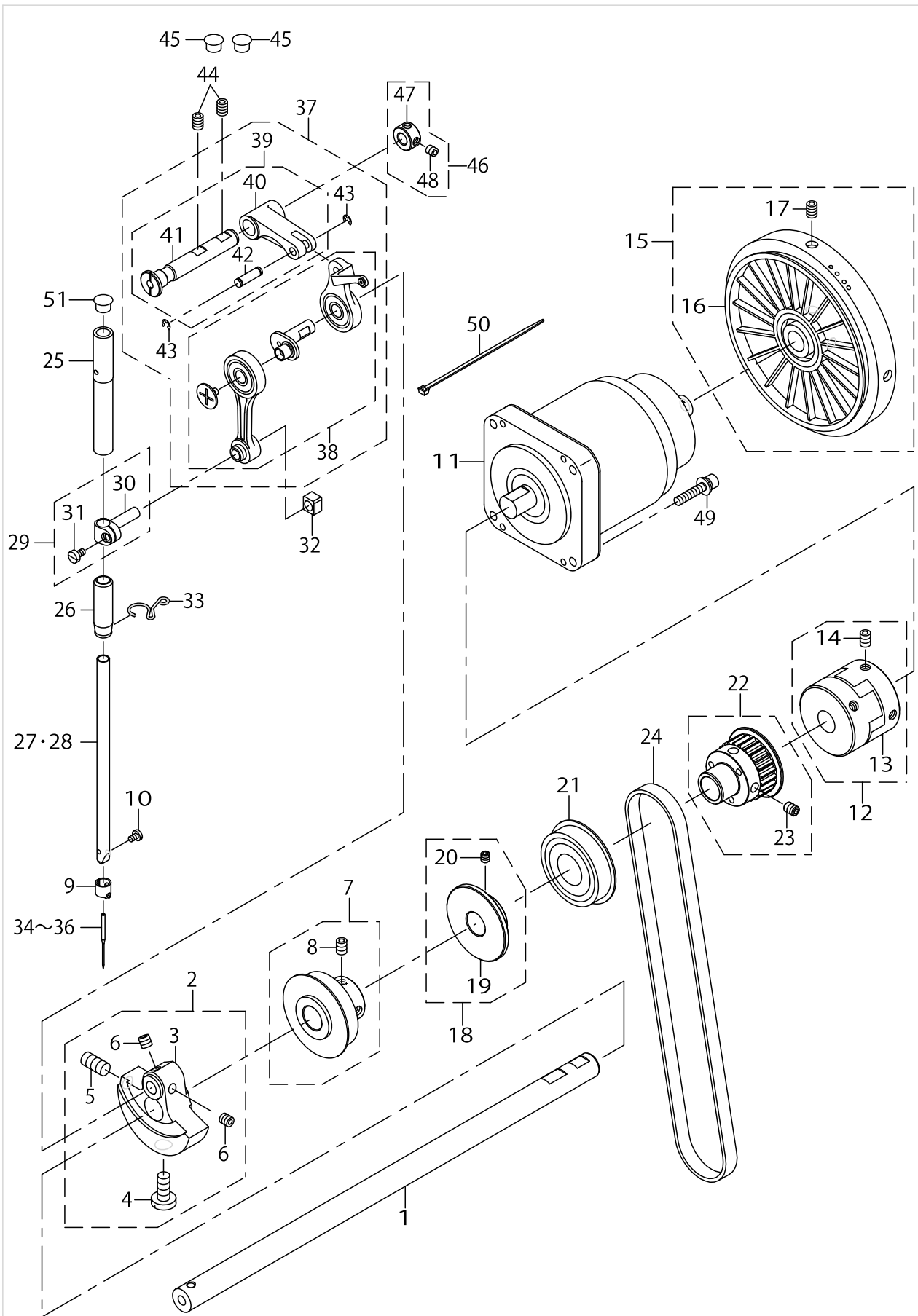
MAIN SHAFT & NEEDLE BAR COMPONENTS



MAIN SHAFT & NEEDLE BAR COMPONENTS

No.	Parts No.	Parts name	Remarks	Level	Cons	Qty
1	40086597	MAIN_SHAFT				1
2	40135904	ASSY_COUNTER WEIGHT				1
3	40135916	COUNTER WEIGHT		*		1
4	40004171	COUNTER_WEIGHT_SCREW		*		1
5	SM8081652TP	SCREW M8 L=16		*		1
6	SM80606A2TP	6SCREW M6 L=6		*		2
7	40150011	FRONT_BEARING				1
8	SM80608A2TP	SCREW M6 L=8		*		2
9	22906309	NEEDLE BAR THREAD GUIDE				1
10	SS7080510TP	SCREW 1/8-44 L=4.5			☆	1
11	40089196	AC SERVO MOTOR				1
12	40051473	COUPLING ASM.				1
13	40051474	COUPLING		*		1
14	SM80608A2TP	SCREW M6 L=8		*		4
15	40037007	HAND WHEEL ASM.				1
16	40037006	HAND WHEEL		*		1
17	SM80608A2TP	SCREW M6 L=8		*		2
18	40136292	BTW_DRIVING_WHEEL_ASM				1
19	40136293	BTW_DRIVING_WHEEL		*		1
20	SM80506A2TP	SCREW M5 L=6		*		2
21	SB120002700	BEARING				1
22	40141440	UPPER SPROCKET ASM.				1
23	SM80608A2TP	SCREW M6 L=8		*		2
24	40086731	TIMING_BELT_550				1
25	23608003	NEEDLE BAR METAL UPPER				1
26	40107707	NEEDLE_BAR_METAL_LOWER				1
27	22886907	NEEDLE BAR (A)	FOR EE,AA,GG			1
28	22887004	NEEDLE BAR (B)	FOR BB			1
29	22906457	NEEDLE BAR HOLDER ASM.				1
30	22906408	NEEDLE ROD HOLDER		*		1
31	SS6090670TP	SCREW 9/64-40 L=6		*		1
32	40090058	SLIDE BLOCK				1
33	23626203	NEEDLE BAR THREAD GUIDE				1
34	MDB100B1100	NEEDLE DBX1 #11	FOR EE,AA		☆	1
35	MC200500750	NEEDLE 134 NM75	FOR BB		☆	1
36	MDB100B1400	NEEDLE DBX1 #14	FOR GG		☆	1
37	40135900	THREAD TAKE UP COMPL.				1
38	40135905	THREAD_TAKE_UP_ASM_C		*		1
39	40141165	TAKE_UP_CRANK_ASM		*		1
40	40135906	TAKE_UP_CRANK		*		1
41	40143184	TAKE_UP_CRANK_SHAFT		*		1
42	40135907	THREAD_TAKE_UP_PIN		*		1
43	RE0300000K0	E-RING 3		*		2
44	SM80608A2TP	SCREW M6 L=8				2
45	TA0850604R0	RUBBER PLUG				2
46	40032269	THRUST COLLAR				1
47	CS1000881TP	THRUST COLLAR		*		1

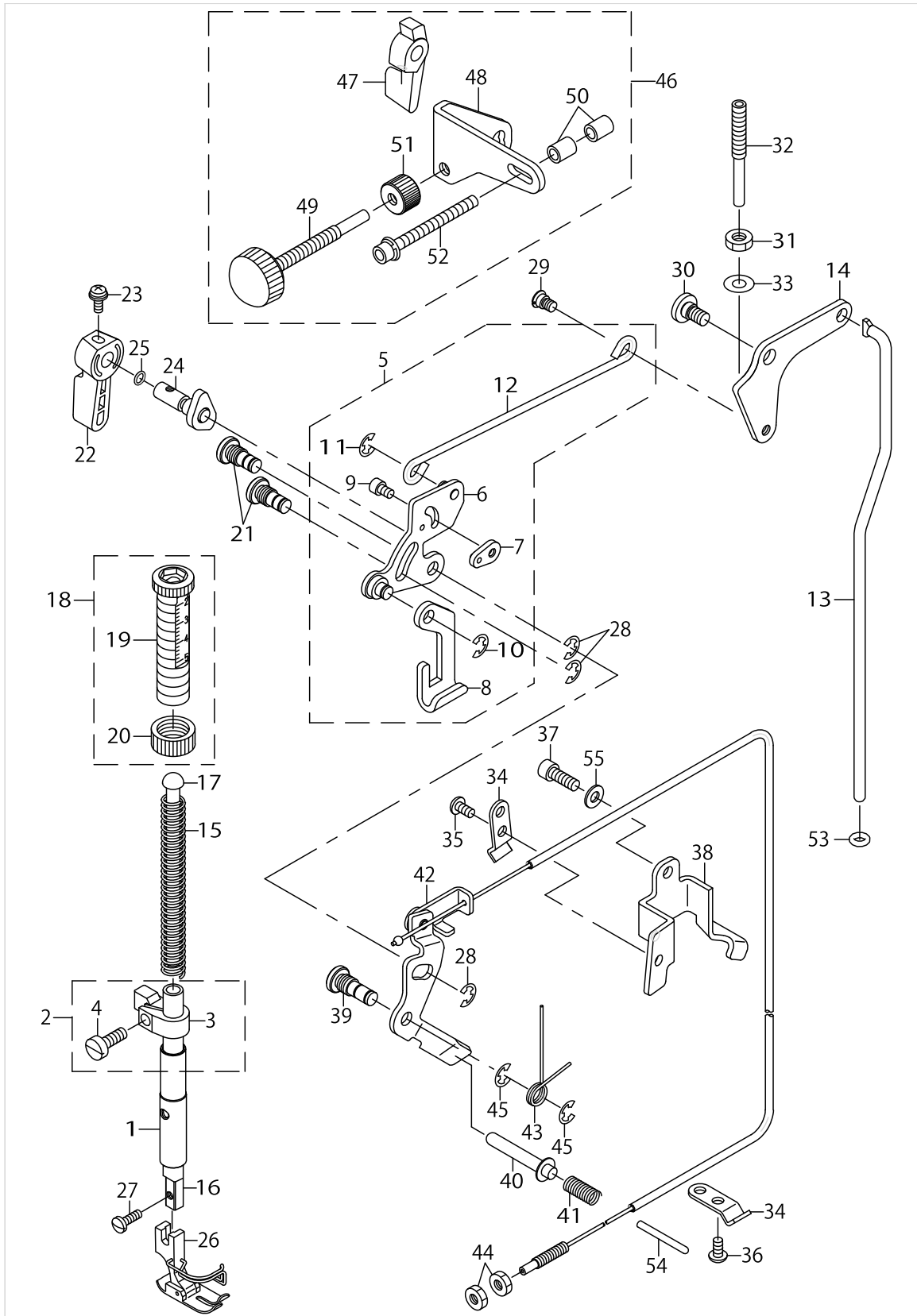
MAIN SHAFT & NEEDLE BAR COMPONENTS



MAIN SHAFT & NEEDLE BAR COMPONENTS

No.	Parts No.	Parts name	Remarks	Level	Cons	Qty
48	SM8050412TP	SCREW M5 L=4		*		2
49	SL6052592TN	BOLT				4
50	EA9500B0100	CABLE BAND				2
51	TA0850604R0	RUBBER PLUG				1

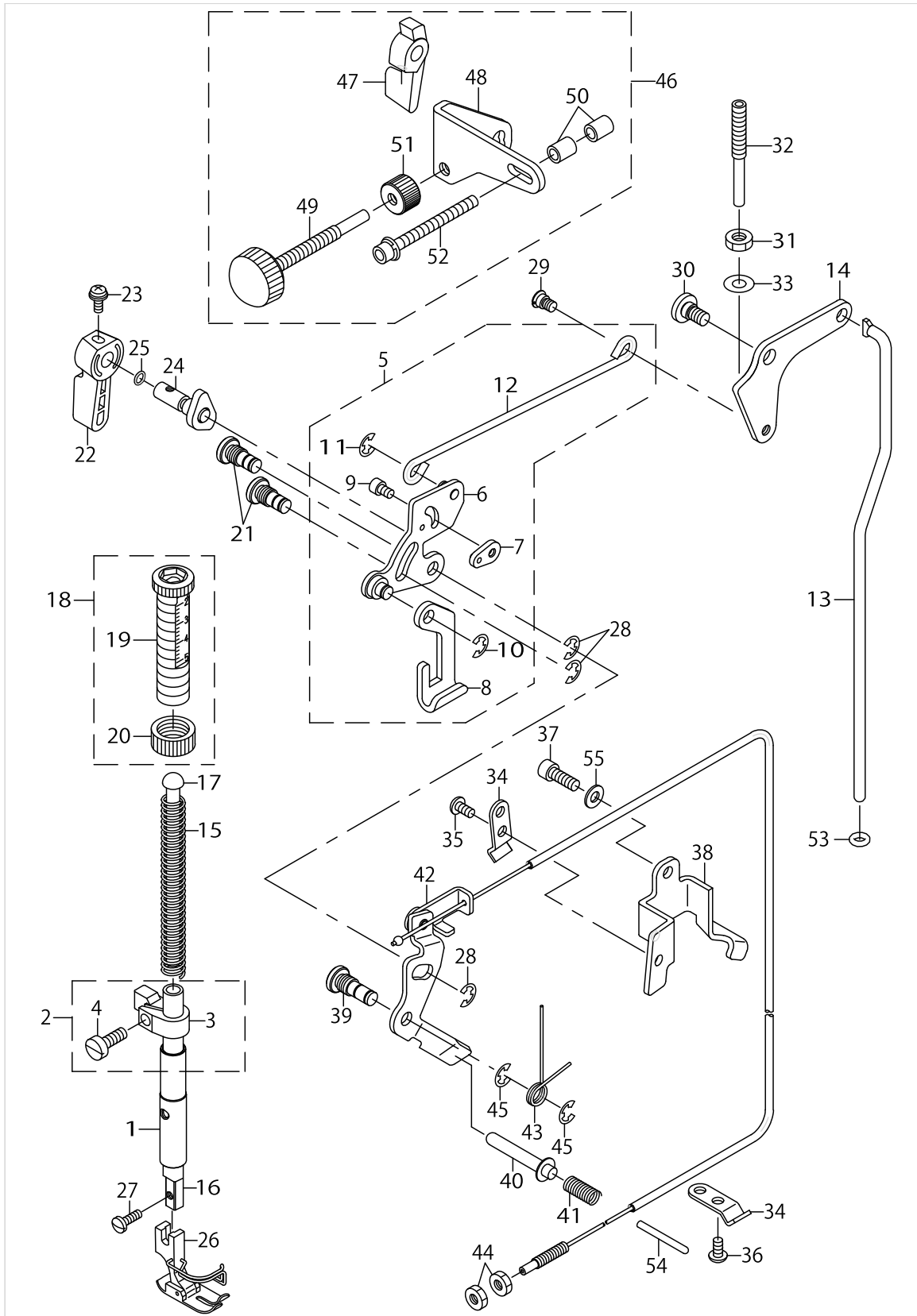
HAND LIFTER & TENSION RELEASE COMPONENTS



HAND LIFTER & TENSION RELEASE COMPONENTS

No.	Parts No.	Parts name	Remarks	Level	Cons	Qty
1	40136700	PRESSER_BAR_BUSHING				1
2	40086606	PRESSER_BAR_GUIDE_BRACKET_ASM.				1
3	40086607	PRESSER_BAR_GUIDE_BRACKET		*		1
4	SM6051400SP	SCREW		*		1
5	23609357	LIFTING LEVER CONNECT ROD ASM.				1
6	23609456	LIFTING LINK COMPL.		*		1
7	23609605	PLATE		*		1
8	22908008	LIFTING PLATE		*		1
9	SM6040602TP	SCREW M4 L=6		*		1
10	RE0500000K0	E-RING		*		1
11	RE0500000K0	E-RING		*		1
12	23609308	LIFTING LEVER CONNECT ROD		*		1
13	40086760	CONNECTING ROD				1
14	23609704	LIFTING LEVER LINK				1
15	22907406	PRESSER SPRING				1
16	23610207	PRESSER BAR				1
17	23610306	PRESSER GUIDE BAR				1
18	40037359	PRESSER SPRING REGULATOR ASM.				1
19	40037141	PRESSER SPRING REGULATOR		*		1
20	40037144	PRESSER SPRING REGULATOR NUT		*		1
21	40050583	LINK SHAFT				2
22	22907802	HAND LIFTER				1
23	B1521555000	SCREW				1
24	22908552	HAND LIFTER CAM ASM.				1
25	RO037180100	RUBBER RING				1
26	B15240120BA	PRESSER FOOT ASM.				1
27	SS7091110TP	SCREW 9/64-40 L=10.5				1
28	RE0500000K0	E-RING				3
29	22908909	HINGE SCREW				1
30	40082078	SHOULDER SCREW D=7.24 H=3.3				1
31	NM6060003SE	NUT FOR BRACKET				1
32	40036706	ADJUSTING SCREW				1
33	WP0621016SD	WASHER 6.2X13X1				1
34	22944508	WIRE PRESSER A				2
35	SM4040855SP	SCREW				1
36	SM4040855SP	SCREW				1
37	SM6051402TP	SCREW M5X0.8 L=14				1
38	40086643	WIRE HOLDER				1
39	40050582	TENSION RELEASE SHAFT				1
40	22920300	THREAD RELEASE SUPPORTING PIN				1
41	22920409	THREAD RELEASE PIN SPRING				1
42	23626351	THREAD TENSION RELEASE WIRE				1
43	23626807	TENSION RELEASE RETURN SPRING				1
44	NS6620310SP	NUT 3/16-32				2
45	RE0500000K0	E-RING				2
46	40056622	MINUTE LIFTING DEVICE ASM.	OPTIONAL PARTS			1
47	23611106	HAND LIFTER		*		1

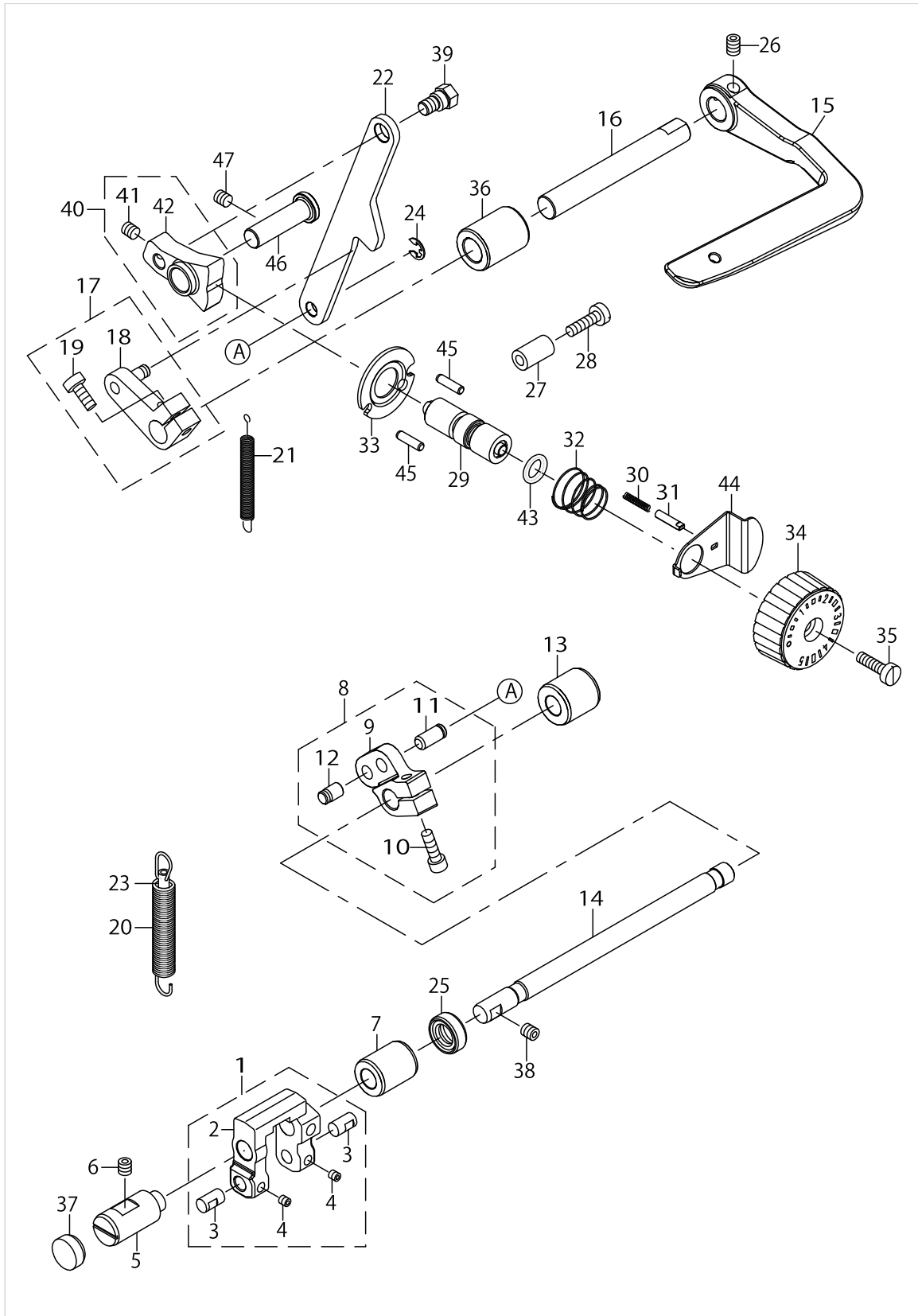
HAND LIFTER & TENSION RELEASE COMPONENTS



HAND LIFTER & TENSION RELEASE COMPONENTS

No.	Parts No.	Parts name	Remarks	Level	Cons	Qty
48	23610504	STOPPER BASE		*		1
49	23610652	STOPPER SCREW ASM.		*		1
50	D5119206K0K	SPACER		*		2
51	23610702	STOPPER SCREW NUT		*		1
52	SL6053592TN	BOLT		*		1
53	RO044240100	RUBBER RING				1
54	B3118552F00	TENSION RELEASING PIN				1
55	WP0501016SD	WASHER 5X10.5X1				1

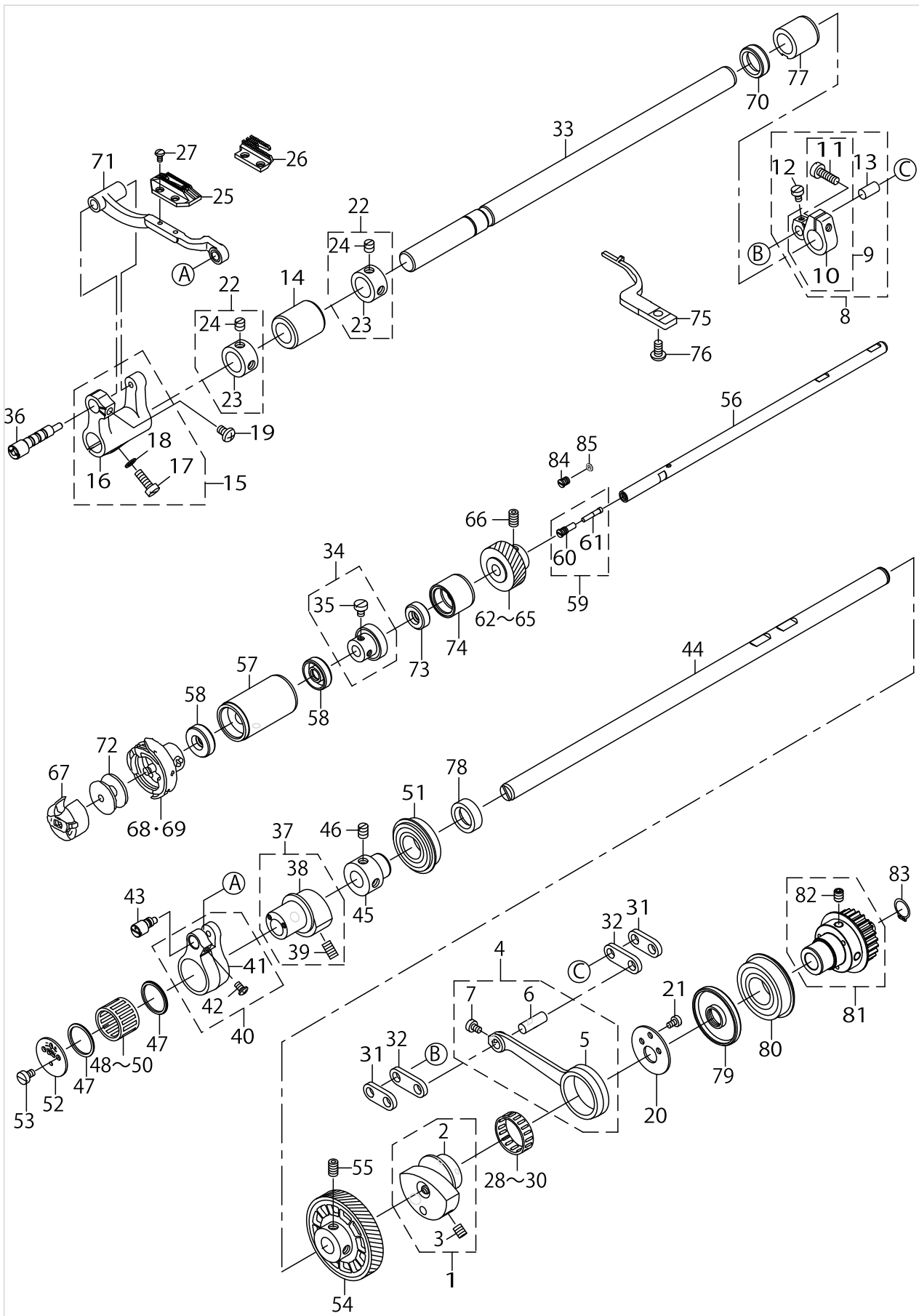
FEED ADJUST MECHANISM COMPONENTS



FEED ADJUST MECHANISM COMPONENTS

No.	Parts No.	Parts name	Remarks	Level	Cons	Qty
1	40086735	ADJUSTING_LINK_ASM.				1
2	40086695	FEED_ADJUSTING_LINK		*		1
3	40086696	FEED_ADJUSTING_LINK_PIN		*		2
4	SM80506A2TP	SCREW M5 L=6		*		2
5	40086608	ADJUSTING_LINK_FULCRUM_SHAFT				1
6	SM80606A2TP	SCREW M6 L=6				1
7	40086615	FEED_CHANGING_SHAFT_METAL_A				1
8	40086704	FEED_CHANGING_SHAFT_ARM_ASM.				1
9	40086705	FEED_CHANGING_SHAFT_ARM		*		1
10	SM6051602TP	SCREW M5X0.8 L=16		*		1
11	22910509	FEED ADJUSTING LINK PIN		*		1
12	40086706	FEED_CHANGING_SPRING_PIN		*		1
13	40086616	FEED_CHANGING_SHAFT_METAL_B				1
14	40086614	FEED_CHANGING_SHAFT				1
15	40086738	REVERSE_FEED_LEVER				1
16	23613706	FEED LEVER SHAFT				1
17	40086674	FEED_LEVER_ARM_ASM.				1
18	40086675	FEED_LEVER_ARM		*		1
19	SM6051602TP	SCREW M5X0.8 L=16		*		1
20	40086737	FEED ADJUSTING SPRING				1
21	40086739	FEED LEVER SPRING				1
22	40086609	FEED_ADJUSTING_ROD				1
23	23630007	TUBE				0.1
24	RE0500000K0	E-RING				1
25	23612609	FEED CHANGING SHAFT OIL SEAL				1
26	SM80608A2TP	SCREW M6 L=8				2
27	22952501	BACK LEVER STOPPER				1
28	SM6051850TP	SCREW M5 L=18				1
29	40141842	FEED REGULATOR SCREW				1
30	40123098	FEED_REGULATOR_PIN_SPRING				1
31	40161440	FEED_REGULATOR_PIN				1
32	40141840	REGULATOR STOPPER SPRING				1
33	40141838	FEED REGULATOR WASHER				1
34	40141841	REGULATOR PIN DIAL				1
35	SS6121860SP	SCREW 3/16-28 L=18				1
36	40086617	FEED_LEVER_SHAFT_METAL				1
37	40086736	RUBBER PLUG				1
38	SM80606A2TP	SCREW M6 L=6				1
39	23613409	FEED ADJUSTING PIN				1
40	40095847	FEED REGULATOR ASM.				1
41	SM80606A2TP	SCREW M6 L=6		*		1
42	40122891	FEED_REGULATOR		*		1
43	RO092270200	RUBBER RING				1
44	40161441	REGULATOR_PIN_STOPPER				1
45	40086613	FEED_REGULATOR_STOPPER_PIN				2
46	40006716	THREAD_TRIMMER_SHAFT				1
47	SM80606A2TP	SCREW M6 L=6				1

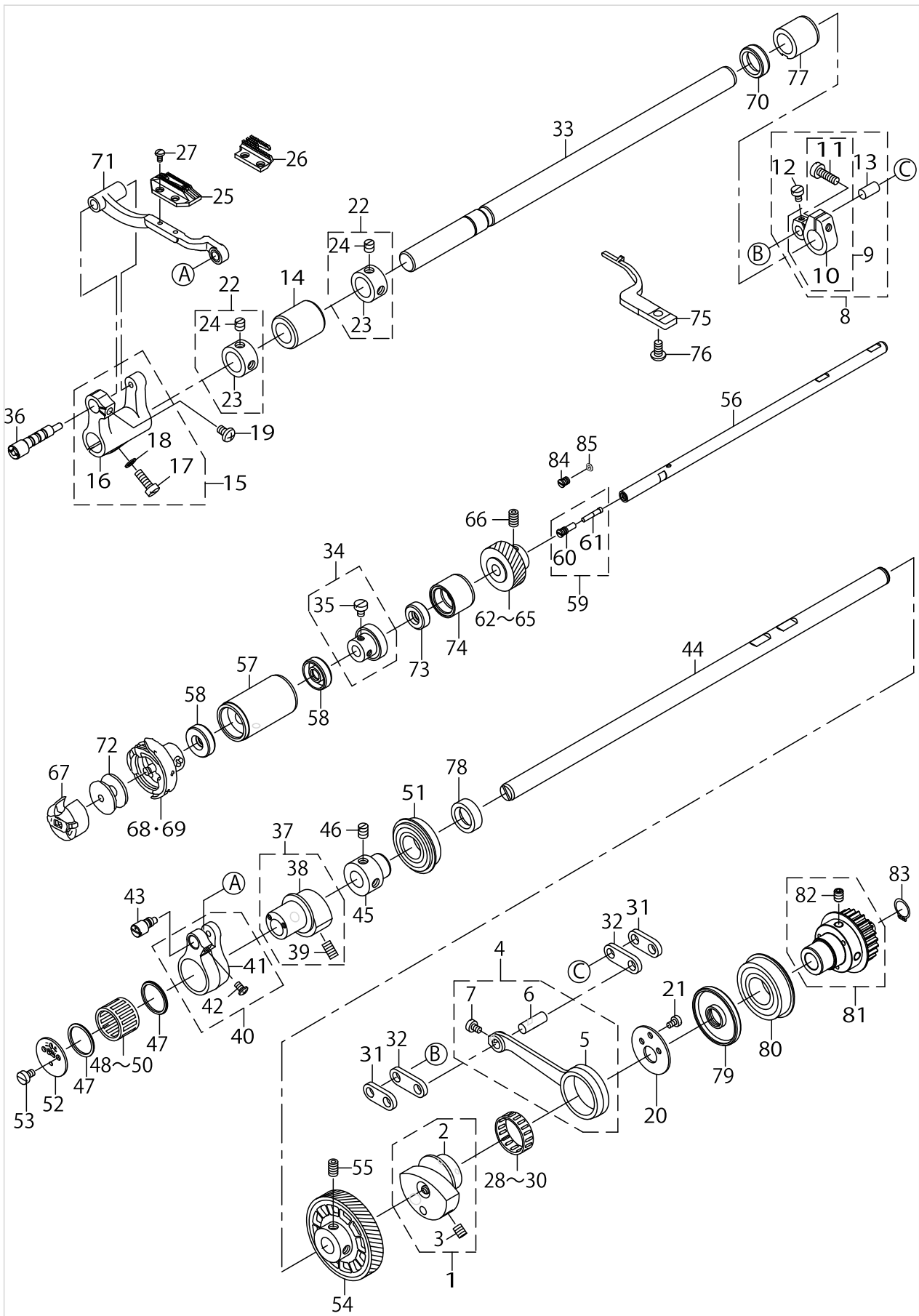
HORIZONTAL FEED, VERTICAL FEED & HOOK DRIVING SHAFT COMPONENTS



HORIZONTAL FEED, VERTICAL FEED & HOOK DRIVING SHAFT COMPONENTS

No.	Parts No.	Parts name	Remarks	Level	Cons	Qty
1	40037192	FEED ROCKER CAM ASM.				1
2	23616006	FEED ROCKER CAM		*		1
3	SS8150822TP	SCREW 15/64-28 L=8		*		2
4	40037365	FEED ROCKER ROD ASM.				1
5	40026277	FEED ROCKER ROD		*		1
6	22911101	WALKING FOOT PIN C		*		1
7	SS6090620TP	SCREW		*		1
8	40061246	FEED ROCKER ARM ALL ASM.				1
9	40058504	FEED ROCKER ARM ASM.		*		1
10	40042079	FEED ROCKER ARM		*		1
11	SS6121610SP	SCREW 3/16-28 L=15.5		*		1
12	SS6090620TP	SCREW		*		1
13	22911002	WALKING FOOT PIN B		*		1
14	23616709	FEED ROCKER SHAFT METAL				1
15	40037005	ASSY_FEED_ROCKER_BASE_ARM				1
16	40026281	FEED ROCKER BASE ARM		*		1
17	SM6051400SP	SCREW		*		1
18	WP0480856SP	WASHER 4.8X8.4X0.8		*		1
19	SM4050855SP	SCREW				1
20	23616204	FEED ROCKER CAM PLATE				1
21	SS6090670TP	SCREW 9/64-40 L=6				2
22	22904155	MAIN SHAFT THRUST COLLAR ASM.				2
23	22904106	MAIN SHAFT THRUST COLLAR		*		1
24	SS8660610TP	SCREW 1/4-40 L=6		*		2
25	B1613012I00	FEED DOG I	FOR AA,BB,GG			1
26	23614506	FEED DOG A	FOR EE			1
27	SS4080620TP	SCREW 1/8-44 L=6				2
28	B412352200A	NEEDLE BEARING	SELECTIVE PARTS			1
29	B412352200B	NEEDLE ROLLAR	SELECTIVE PARTS			1
30	B412352200C	NEEDLE ROLLAR	SELECTIVE PARTS			1
31	40026278	CONNECTING LINK A				2
32	23616402	CONNECTING LINK B				2
33	23616600	FEED ROCKER SHAFT				1
34	40086743	BEARING SUPPORT ASM.				1
35	SS6110710TP	SCREW 11/64-40 L=6.5		*		2
36	40026282	FEED ROCKER BASE SHAFT				1
37	40000391	VERTICAL FEED CAM ASM. 5				1
38	40000392	VERTICAL FEED CAM 5		*		1
39	SS8151150TP	SCREW 15/64-28 L=10.5		*		2
40	40053720	FEED DRIVING BASE ARM ASM.				1
41	40026287	FEED DRIVING BASE ARM		*		1
42	SM4040655SP	SCREW M4 L=6		*		1
43	40026288	FEED DRIVING BASE SHAFT				1
44	40086757	FEED DRIVING SHAFT				1
45	40086690	FEED_DRIVING_BEARING_SUPPORT				1
46	SS8661012TP	SCREW				2
47	23618101	FEED DRIVING CAM THRUST BUSH				2

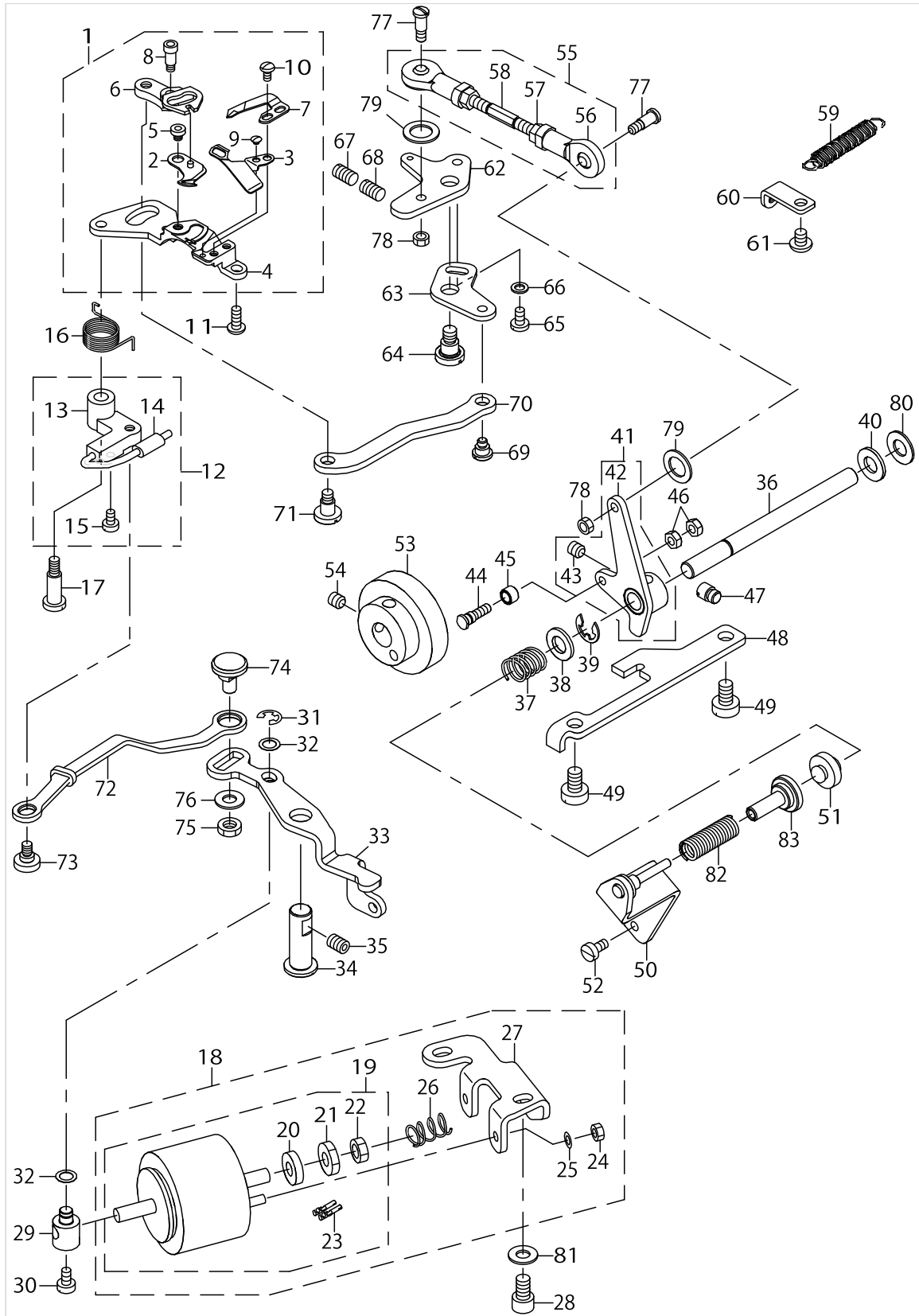
HORIZONTAL FEED, VERTICAL FEED & HOOK DRIVING SHAFT COMPONENTS



HORIZONTAL FEED, VERTICAL FEED & HOOK DRIVING SHAFT COMPONENTS

No.	Parts No.	Parts name	Remarks	Level	Cons	Qty
48	SB32000060A	BEARING	SELECTIVE PARTS			1
49	SB32000060B	BEARING	SELECTIVE PARTS			1
50	SB32000060C	BEARING	SELECTIVE PARTS			1
51	SB117001200	BEARING				1
52	23618309	FEED DRIVING CAM PLATE				1
53	SS6090670TP	SCREW 9/64-40 L=6				2
54	23620503	GEAR (LARGE)				1
55	SS8661012TP	SCREW				2
56	23620008	HOOK SHAFT				1
57	23620156	HOOK SHAFT METAL COMPL.				1
58	40145927	OIL SEAL				2
59	22916555	OIL SEAL SCREW ASM.				1
60	22916506	SET SCREW		*		1
61	11015906	OIL WICK		*		1
62	23620701	GEAR (SMALL)(A)	SELECTIVE PARTS			1
63	23620800	GEAR (SMALL)(B)	SELECTIVE PARTS			1
64	23620909	GEAR (SMALL)(C)	SELECTIVE PARTS			1
65	23621006	GEAR (SMALL)(D)	SELECTIVE PARTS			1
66	SS8661012TP	SCREW				2
67	11038759	BOBBIN CASE ASM.			☆	1
68	11141355	HOOK ASM.	FOR BB		☆	1
69	11038650	HOOK ASM.	FOR AA,EE,GG		☆	1
70	40086740	OIL SEAL				1
71	40030786	FEED BASE COMPL.				1
72	22964001	BOBBIN A			☆	1
73	40086744	HOOK DRIVING SHAFT OIL SEAL				1
74	23620404	HOOK SHAFT REAR METAL				1
75	40089607	INNER_HOOK HOLDER				1
76	SM4051055SP	SCREW				1
77	40086618	FEED_SHAFT_REAR_METAL				1
78	40086741	OIL SEAL				1
79	40086742	OIL SEAL				1
80	SB120001800	BEARING				1
81	40141443	UNDER SPROCKET ASM.				1
82	SM80608A2TP	SCREW M6 L=8		*		2
83	RC1200001KP	C-SHAPED SNAP RING				1
84	11079506	FRONT SCREW	OPTIONAL PARTS			1
85	RO036080200	RUBBER RING	OPTIONAL PARTS			1

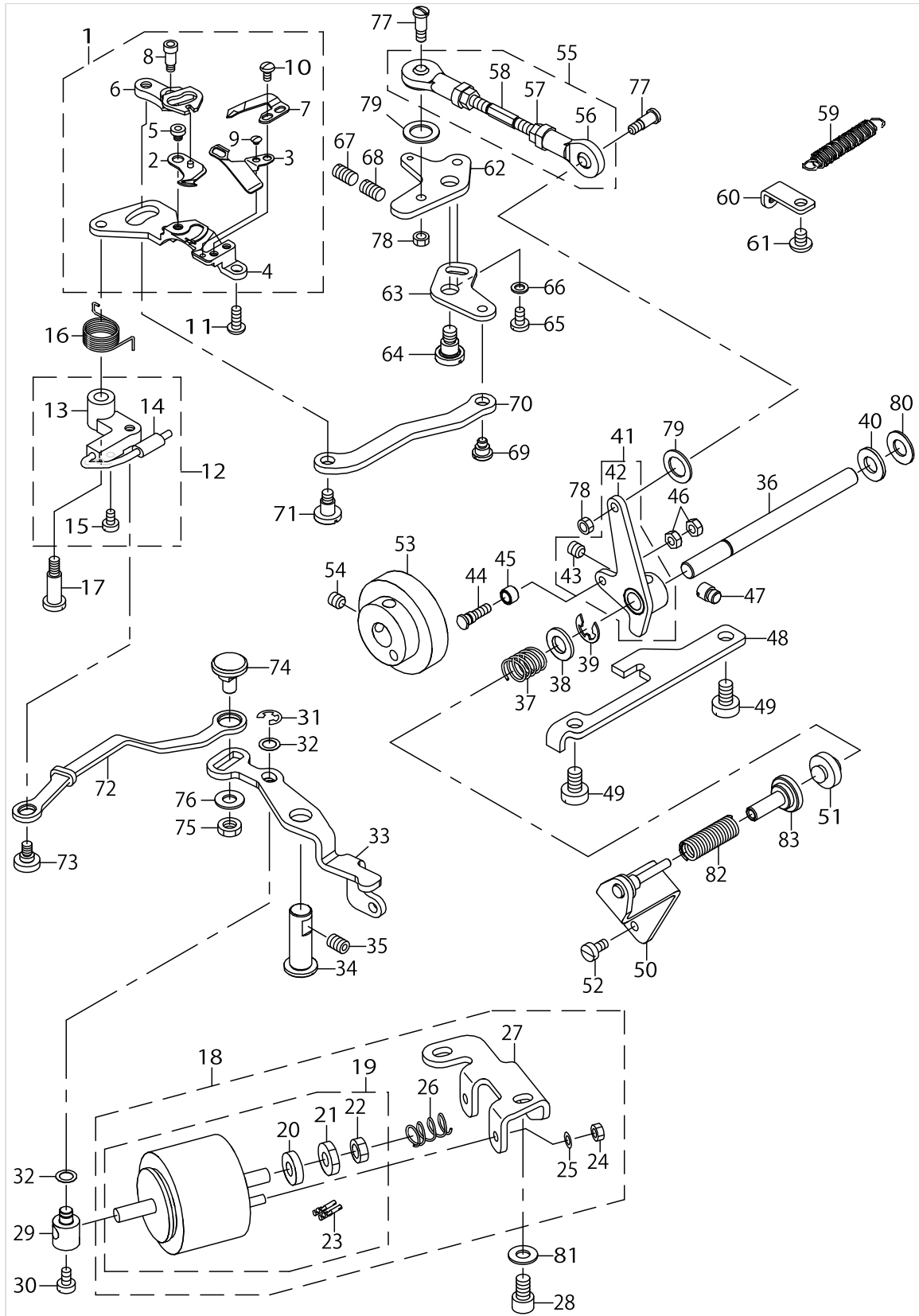
THREAD TRIMMER COMPONENTS



THREAD TRIMMER COMPONENTS

No.	Parts No.	Parts name	Remarks	Level	Cons	Qty
1	40050585	KNIFE UNIT				1
2	11040052	MOVING KNIFE ASM.		*	☆	1
3	40044189	THREAD_GUIDE_FOR_KNIFE		*	☆	1
4	22947907	KNIFE MOUNTING BASE		*		1
5	11040409	MOVING KNIFE HINGE SCREW		*		1
6	22948202	FORKED BASE FOR KNIFE		*		1
7	D2406555D0H	COUNTER KNIFE		*	☆	1
8	SD0460703TP	HINGE SCREW D=4.6 H=7		*		1
9	SS2060210SP	SCREW 3/32-56 L=2.3		*		1
10	SS4080620TP	SCREW 1/8-44 L=6		*		2
11	SM4041055SP	SCREW				1
12	40036998	ASSY_PICKER_ARM				1
13	40061215	PICKER ARM		*		1
14	40036997	ASSY_PICKER		*	☆	1
15	SS6090670TP	SCREW 9/64-40 L=6		*		2
16	40029398	PICKER SPRING				1
17	SD0641456TP	SHOULDER SCREW D=6.35 H=14.5				1
18	40086746	ASSY_THREAD_TRIM_SOLENOID				1
19	40089263	THREAD TRIMMER SOLENOID		*		1
20	11043304	SOLENOID RUBBER		*		1
21	NS6660410SH	NUT		*		1
22	NS6660430SP	NUT 1/4-40		*		1
23	HK03464000B	PIN CONTACT		*		2
24	NM6040000SN	NUT M4		*		2
25	WP0430800SC	WASHER M4		*		2
26	40089672	SPRING		*		1
27	40086727	SOLEOID INSTALLING BASE		*		1
28	SM6061002TP	SCREW M6 L=10				2
29	40086711	SORENOID_PIN				1
30	SS6110710TP	SCREW 11/64-40 L=6.5				1
31	RE0500000K0	E-RING				1
32	10618304	WASHER				2
33	40086634	CLUTCH_PLATE				1
34	40086635	CLUTCH_SHAFT				1
35	SM8060812TP	SCREW M6 L=8				1
36	40086622	THREAD_TRIMMER_SHAFT				1
37	31256803	SPRING				1
38	WP0841600SD	WASHER M8				1
39	RE0700000K0	E-RING 7				1
40	B1116804000	RUBBER WASHER				1
41	40095843	ASSY CAM FOLLOWER				1
42	40086624	CAM_FOLLOWER_ASM.		*		1
43	SM80606A2TP	SCREW M6 L=6		*		2
44	40086748	ROLLER SHAFT				1
45	40015671	CAM_ROLLER				1
46	NM6040001SP	NUT M4X0.7				2
47	40086623	STOPPER_SCREW				1

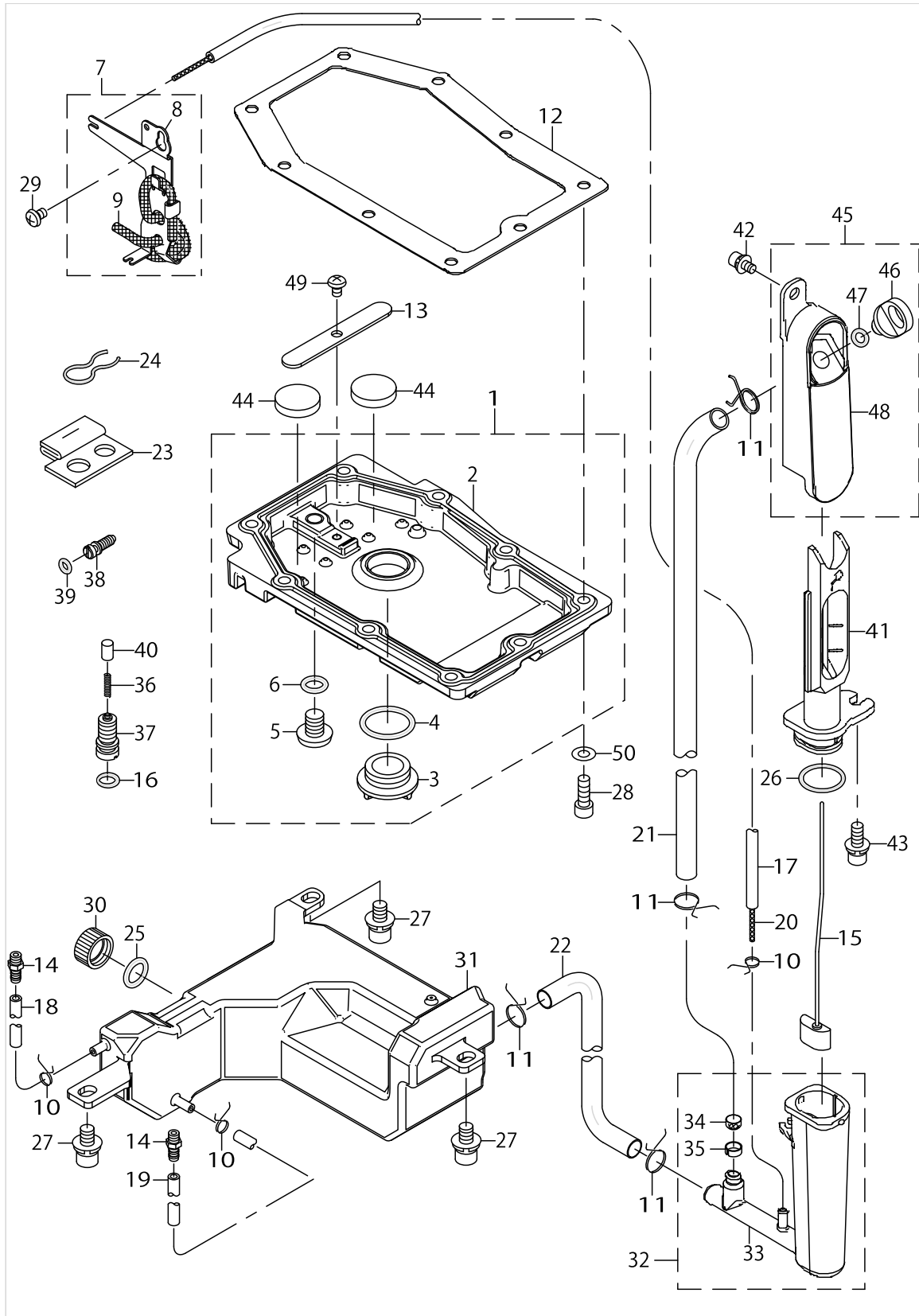
THREAD TRIMMER COMPONENTS



THREAD TRIMMER COMPONENTS

No.	Parts No.	Parts name	Remarks	Level	Cons	Qty
48	40086636	CAM_FOLLOWER_STOPPER				1
49	SM6061010TP	SCREW M6 L=10				2
50	40095870	THREAD TRIMMER STOPPER ASM.				1
51	B1116210D00	STOPPER RUBBER				1
52	SM6040800SP	SCREW				2
53	40086747	THREAD TRIMMER CAM				1
54	SM80608A2TP	SCREW M6 L=8				2
55	40086708	CONNECTING_ROD_ASM.				1
56	40136701	ROD_END		*		2
57	NM6050001SC	NUT M5		*		2
58	40086709	CONNECTING_BAR		*		1
59	26226209	SPRING				1
60	40086621	SPRING_RACK				1
61	SM4050655SP	SCREW M5 L=6				1
62	40086631	THREAD_TRIMMER_LINK_A				1
63	40086632	THREAD_TRIMMER_LINK_B				1
64	40086633	SHOULDER_SCREW				1
65	SS7110740TP	SCREW 11/64-40 L=7				1
66	WP0450801SP	WASHER				1
67	SM8061050TP	SCREW				1
68	SM8061010TP	SCREW				1
69	SD0640321SP	HINGE SCREW D=6.35 H=3.2				1
70	40086628	MOVING_KNIFE_LINK				1
71	SD0640631TP	HINGE SCREW D=6.35 H=6.3				1
72	40086637	PICKER_LINK_ASM.				1
73	SD0630275SP	HINGE SCREW D=6.35 H=2.7				1
74	22950000	PICKER LINK PIN				1
75	NS6150310SP	NUT 15/64-28				1
76	WP0621016SH	WASHER				1
77	SD0500701TP	SHOULDER SCREW				2
78	NS6110310SP	NUT 11/64-40				2
79	40086712	CONNECTING ROD FELT				2
80	40090099	WASHER				1
81	WP0621016SD	WASHER 6.2X13X1				2
82	40095218	THREAD TRIMMER STOPPER SPRING				1
83	40095873	THREAD TRIMMER STOPPER BUSH				1

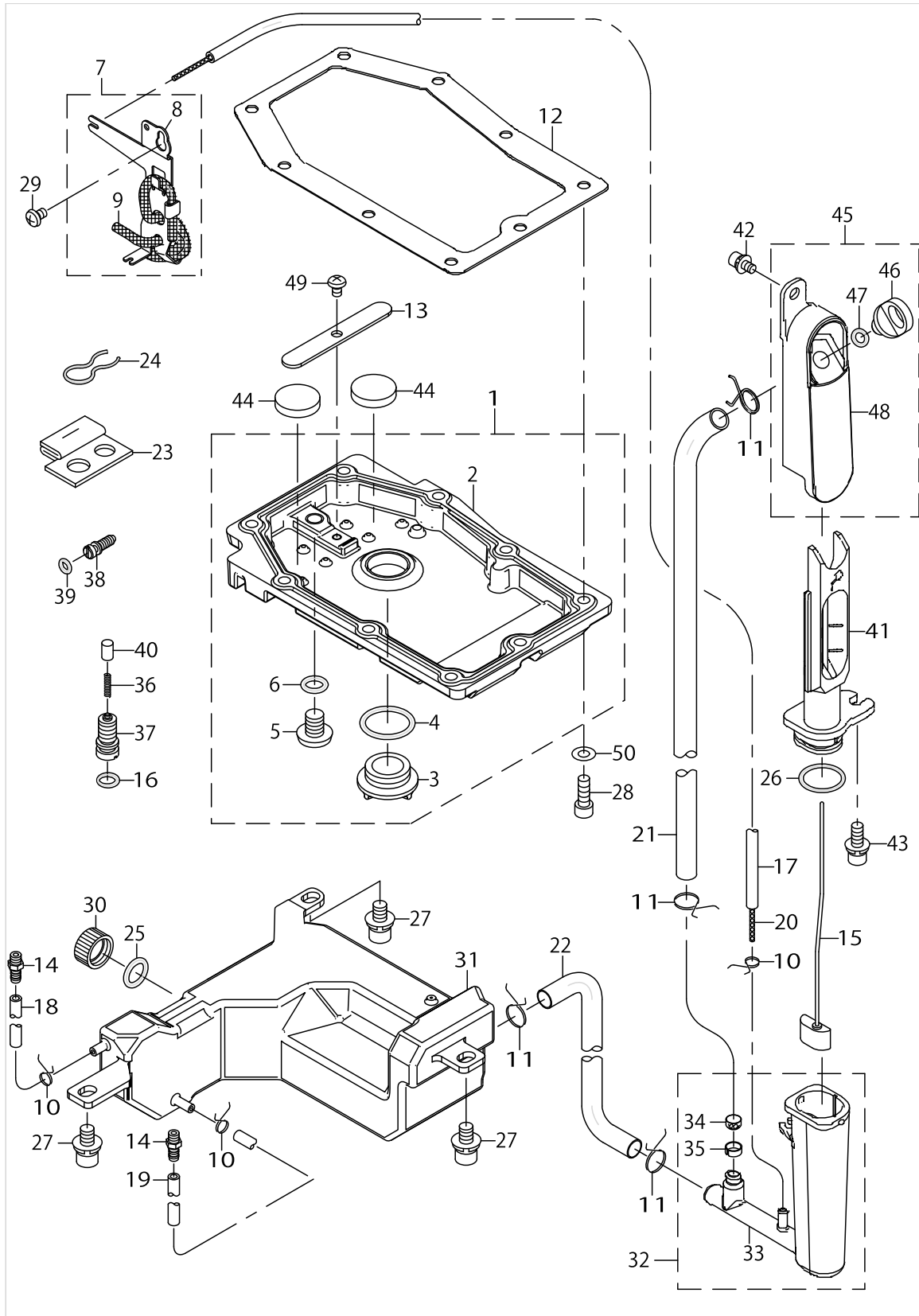
OIL LUBRICATION COMPONENTS



OIL LUBRICATION COMPONENTS

No.	Parts No.	Parts name	Remarks	Level	Cons	Qty
1	40082059	GEAR BOX COVER ASM.				1
2	40135639	GEAR_BOX_COVER		*		1
3	40034246	OIL_SIGHT_WINDOW		*		1
4	RO195240100	RUBBER RING		*		1
5	13171004	DRAIN SCREW		*		1
6	13170105	RUBBER RING		*		1
7	23629256	OIL WICK SUPPORT ASM.				1
8	23629207	OIL WICK SUPPORT		*		1
9	CQ250000001	OIL WICK		*		0.25
10	23629306	PIPE STOPPER A				3
11	23629405	PIPE STOPPER B				4
12	40037166	GEAR BOX PACKING				1
13	40135640	MAGNET HOLDER				1
14	SQ2050453MZ	CONNECTING SCREW				2
15	40086648	FLOATER_ASM.				1
16	RO068190100	RUBBER RING				1
17	23630007	TUBE				0.57
18	23630007	TUBE				0.08
19	23630007	TUBE				0.11
20	CQ200000001	OIL WICK				0.75
21	23630106	TUBE B				0.165
22	23630106	TUBE B				0.2
23	40075404	FACE FELT ASM.				1
24	22925101	OIL FELT PRESSER				1
25	RO098240100	RUBBER RING				1
26	RO172180100	RUBBER RING				1
27	SL6061292TN	SCREW				3
28	SM6051402TP	SCREW M5X0.8 L=14				9
29	SM5040655SN	SCREW				1
30	40013595	OIL_EXIT_CAP				1
31	40098329	OIL_TANK				1
32	40086646	FLOATER_CASE_ASM.				1
33	40086647	FLOATER_CASE		*		1
34	23630403	OIL FILTER		*		1
35	23630502	OIL FILTER STOPPER		*		1
36	23628902	PLUNGER SPRING				1
37	40038328	PLUNGER SCREW				1
38	40037502	OIL ADJUSTING SCREW				1
39	RO037180100	RUBBER RING				1
40	23628803	PLUNGER				1
41	40086693	FROATER_CASE_GUIDE				1
42	SL6040892TN	BOLT				1
43	SL6051492TN	BOLT				1
44	B8228125000	OIL RESERVOIR MAGNET				2
45	40149785	ASSY_FLOATER_SIGHT_WINDOW_B				1
46	40000344	LUBRICATING INLET CAP		*		1
47	RO048190100	RUBBER RING		*		1

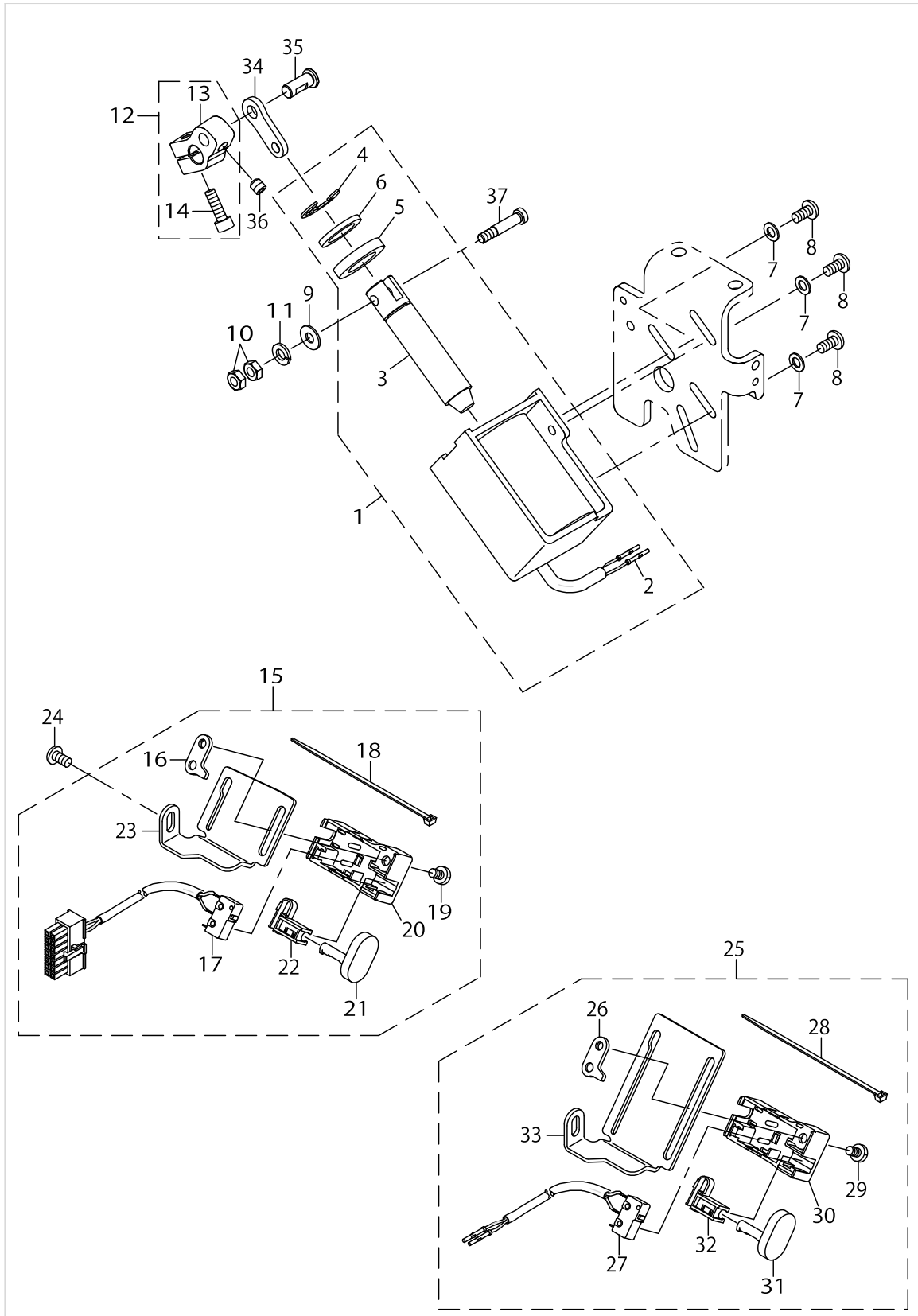
OIL LUBRICATION COMPONENTS



OIL LUBRICATION COMPONENTS

No.	Parts No.	Parts name	Remarks	Level	Cons	Qty
48	40086697	FLOATER_SIGHT_WINDOW_B		*		1
49	SM4040601SC	SCREW M4X0.7 L=6				1
50	WP0501016SD	WASHER 5X10.5X1				9

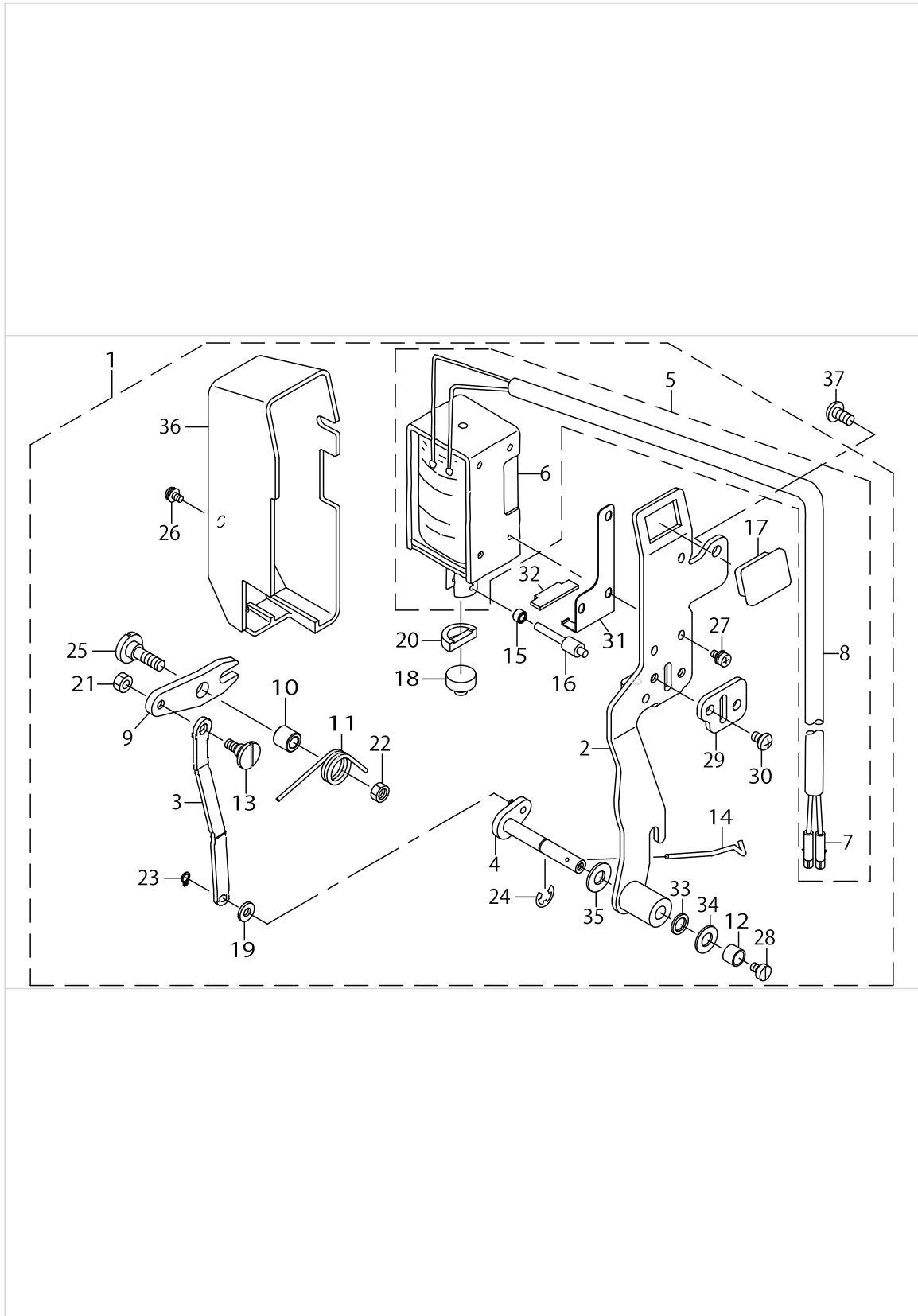
AUTOMATIC REVERSE FEED COMPONENTS



AUTOMATIC REVERSE FEED COMPONENTS

No.	Parts No.	Parts name	Remarks	Level	Cons	Qty
1	40086750	REVERSE FEED SOLENOID ASM.				1
2	HK03464000B	PIN CONTACT		*		2
3	40086753	REVERSE FEED SOLENOID PLUNGER		*		1
4	RE1200000K0	E-RING 12		*		1
5	D2468555B00	RUBBER PLUNGER		*		1
6	WP1602616SZ	WASHER 16X24X2.6		*		1
7	WP0550800SP	WASHER 5.5X10X0.8				3
8	SM4051055SP	SCREW				3
9	WP0551016SH	WASHER 5.5X13X1				1
10	NM6050001SP	NUT M5				2
11	WS0610002KN	SPRING WASHER 6.1X12.2X1.5				1
12	40095844	REVERSE FEED ARM ASM.				1
13	40086698	REVERSE_FEED_ARM		*		1
14	SM6051602TP	SCREW M5X0.8 L=16		*		1
15	23631757	REVERSE FEED SWITCH ASM.				1
16	23632102	REVERSE FEED SWITCH BASE GUIDE		*		1
17	23632359	REVERSE FEED CORD ASM.		*		1
18	EA9500B0100	CABLE BAND		*		1
19	SS7110740TP	SCREW 11/64-40 L=7		*		1
20	23631708	REVERSE FEED SWITCH COVER		*		1
21	23631807	REVERSE FEED SWITCH SHAFT		*		1
22	23631906	REVERSE FEED SWITCH SUPPORT		*		1
23	23632003	REVERSE FEED SWITCH BASE		*		1
24	SM4051055SP	SCREW				1
25	23632656	OPTION SWITCH ASM.	OPTIONAL PARTS			1
26	23632102	REVERSE FEED SWITCH BASE GUIDE		*		1
27	23632250	REVERSE FEED CORD ASM.		*		1
28	EA9500B0100	CABLE BAND		*		1
29	SS7110740TP	SCREW 11/64-40 L=7		*		1
30	23631708	REVERSE FEED SWITCH COVER		*		1
31	23631807	REVERSE FEED SWITCH SHAFT		*		1
32	23631906	REVERSE FEED SWITCH SUPPORT		*		1
33	23632607	OPTION SWITCH BASE		*		1
34	40086655	REVERSE_FEED_CONNECTION_LINK				1
35	40086699	REVERSE_FEED_LINK_PIN				1
36	SM8480652TP	SCREW				1
37	40086759	BACK_SOLENOID_PLUNGER_PIN				1

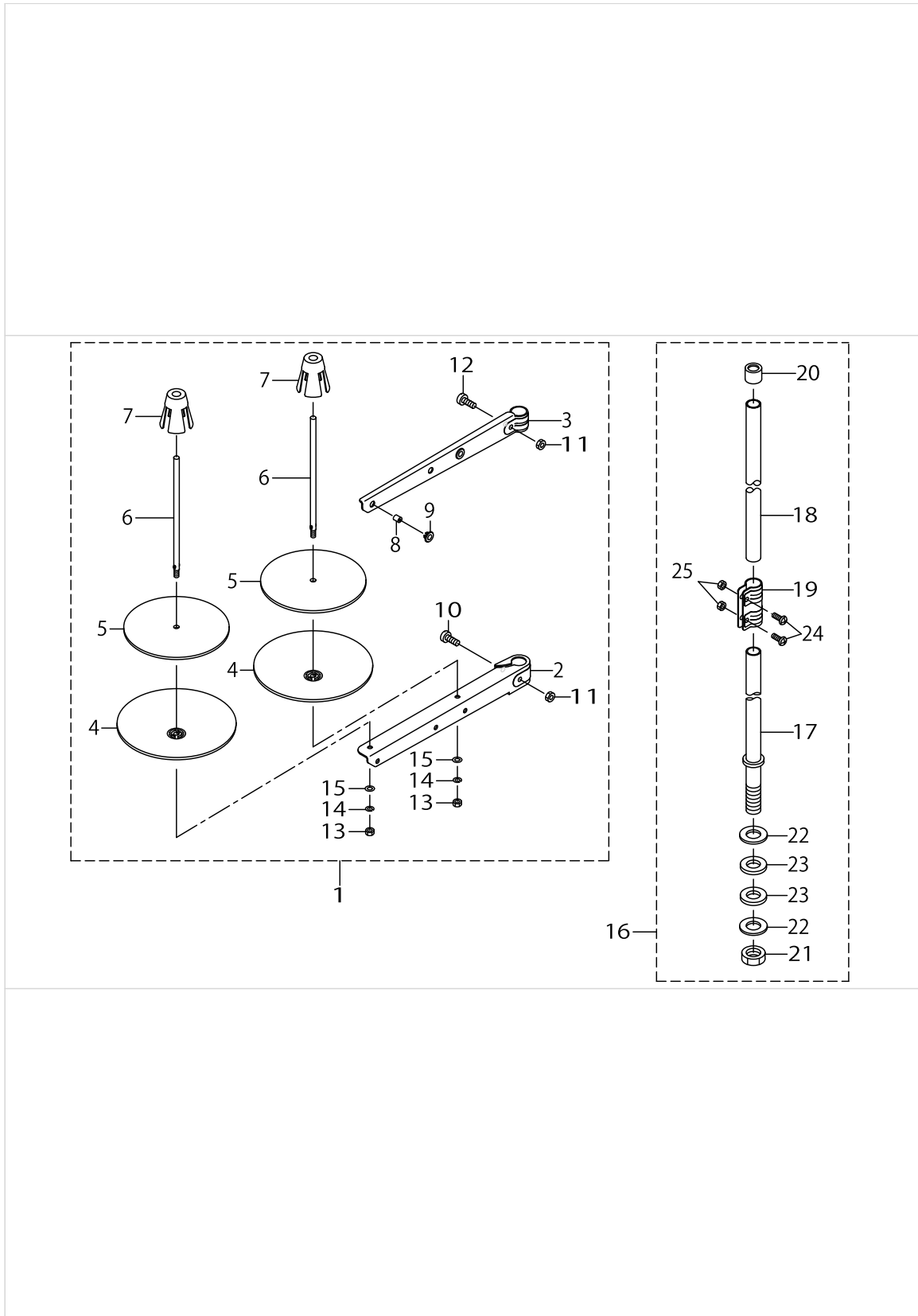
WIPER COMPONENTS (FOR DDL-9000B-**-WB)



WIPER COMPONENTS (FOR DDL-9000B-**-WB)

No.	Parts No.	Parts name	Remarks	Level	Cons	Qty
1	40086676	WIPER ASM.				1
2	40077853	WIPER BASE ASM.		*		1
3	40086723	WIPER LINK B		*		1
4	40086724	WIPER SHAFT ASM.		*		1
5	40095175	WIPER_SOLENOID_ASM.		*		1
6	40089264	WIPER SOLENOID		*		1
7	HK03464000B	PIN CONTACT		*		2
8	HW500070000	2-CORE CABTYRE CORD		*		1.3
9	22956106	WIPER LINK A		*		1
10	22956205	WIPER HINGE SCREW COLLAR		*		1
11	22956304	WIPER SPRING		*		1
12	22956809	WIPER COLLAR		*		1
13	22956908	WIPER LINK B HINGE SCREW		*		1
14	22957005	WIPER		*		1
15	22957203	WIPER LINK COLLAR		*		1
16	40077852	WIPER SOLENOID SHAFT		*		1
17	40086678	WIPER_SW_RUBBER		*		1
18	22955900	WIPER RUBBER A		*		1
19	40086717	FELT_B		*		1
20	22956007	WIPER RUBBER B		*		1
21	NS6090310SP	NUT 9/64-40		*		1
22	NS6110310SP	NUT 11/64-40		*		1
23	RC0370411KP	RETAINING RING		*		1
24	RE0500000K0	E-RING		*		1
25	SD0650321TP	HINGE SCREW D=6.5 H=3.2		*		1
26	SL4030631SC	SCREW M3X6		*		1
27	SL4030641SE	SCREW		*		3
28	SS6090540SP	SCREW 9/64-40 L=5.0		*		1
29	40077851	WIPER SOLENOID SHAFT GUIDE		*		1
30	SS4110615SP	SCREW 11/64-40 L=6		*		2
31	40086680	WIPER_STOPPER_RUBBER_HOLDER		*		1
32	40086679	WIPER_STOPPER_RUBBER		*		1
33	WP0661016SP	WASHER		*		1
34	WP0651001SC	WASHER		*		1
35	40086716	FELT_A		*		1
36	22955504	WIPER COVER		*		1
37	SM4051055SP	SCREW				1

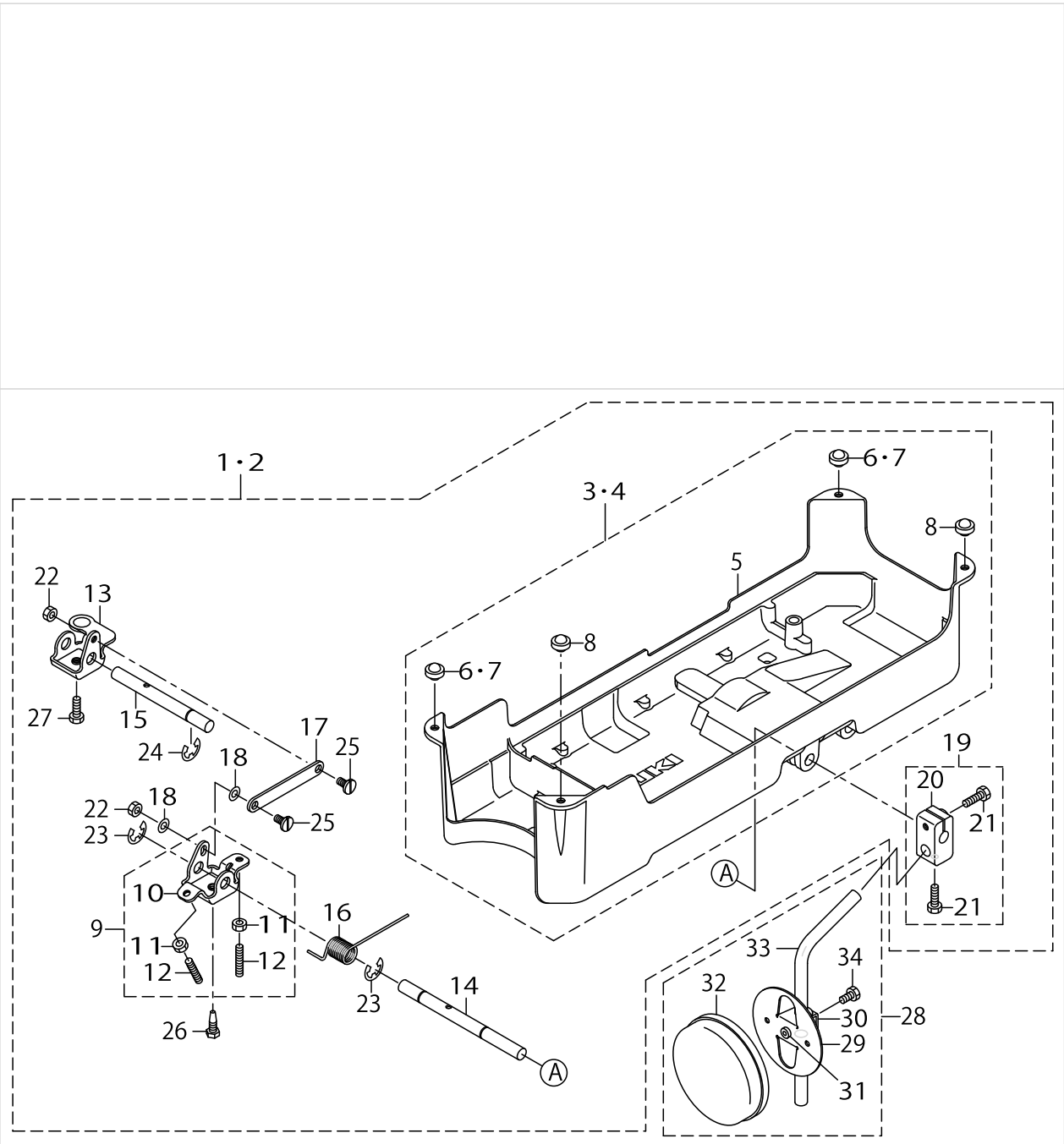
THREAD STAND COMPONENTS



THREAD STAND COMPONENTS

No.	Parts No.	Parts name	Remarks	Level	Cons	Qty
1	40108402	THRED_STAND_B				1
2	40085786	SPOOL REST ARM (LOWER)		*		1
3	40085787	SPOOL REST ARM (UPPER)		*		1
4	40085788	SPOOL REST		*		2
5	40085789	SPOOL REST CUSHION		*		2
6	40085790	SPOOL PIN		*		2
7	40085791	SPOOL RETAINER		*		2
8	40085794	THREAD GUIDE		*		2
9	40085795	THREAD GUIDE BUSHING		*		2
10	40096326	SPOOL REST ARM LOWER SCREW		*		1
11	NM6050001SE	NUT M5		*		2
12	40096327	SPOOL REST ARM UPPER SCREW		*		1
13	NM6050001SE	NUT M5		*		2
14	WS0510002KN	SPRING WASHER M5		*		2
15	WP0531001SC	WASHER M5		*		2
16	40108401	THREAD_STAND_A				1
17	40085784	SPOOL REST ROD LOWER		*		1
18	40085785	SPOOL REST ROD UPPER		*		1
19	40085792	SPOOL REST ROD JOINT		*		1
20	40085793	SPOOL REST ROD RUBBER CAP		*		1
21	40096325	SPOOL REST ROD NUT		*		1
22	WP1612616SE	WASHER 16X30X2.6		*		2
23	40085796	SPOOL REST ROD RUBBER CUSHION		*		2
24	SM4051405SE	SCREW M5 L=14		*		2
25	NM6050001SE	NUT M5		*		2

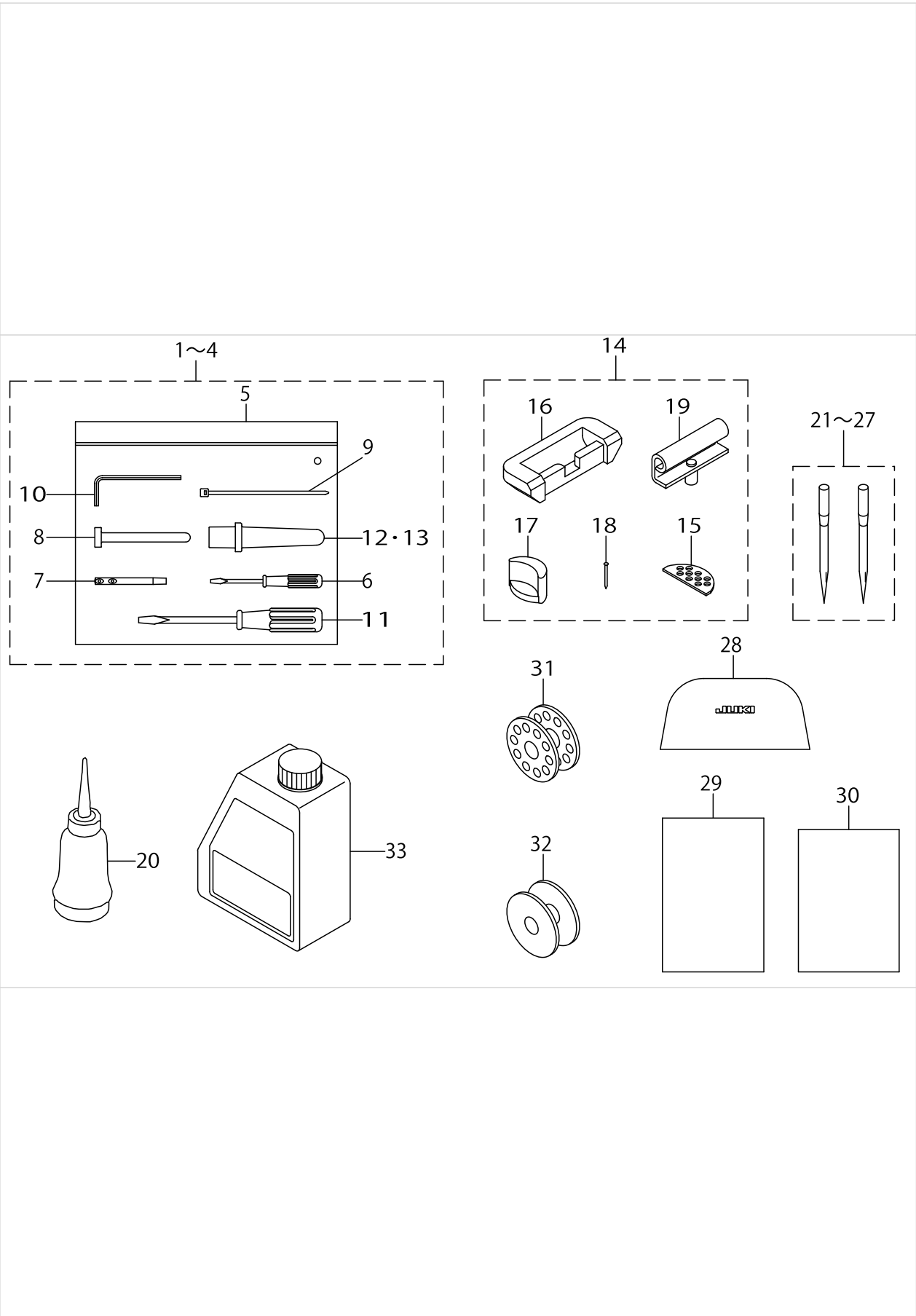
UNDER COVER COMPONENTS



UNDER COVER COMPONENTS

No.	Parts No.	Parts name	Remarks	Level	Cons	Qty
1	40089665	UNDER COVER AH ASM.	FOR DDL-9000B-SH			1
2	40062321	UNDER COVER A ASM.	EXCEPT DDL-9000B-SH			1
3	40089671	UNDER COVER BH ASM.	FOR DDL-9000B-SH	*		1
4	40062323	UNDER COVER B ASM.	EXCEPT DDL-9000B-SH	*		1
5	23639008	UNDER COVER		*		1
6	22932008	RUBBER CUSHION	FOR DDL-9000B-SH	*		2
7	B1116210D00	FRAME SUPPORT RUBBER	EXCEPT DDL-9000B-SH	*		2
8	B1116210D00	FRAME SUPPORT RUBBER		*		2
9	23639156	BRACKET ASM.		*		1
10	23639107	BRACKET		*		1
11	NM6060001SE	NUT M6		*		2
12	SM8063012TR	SCREW M6 L=30		*		2
13	23639206	CONNECTING ROT		*		1
14	23639305	KNEE PRESS ROD		*		1
15	23639404	SHAFT		*		1
16	23639503	SPRING		*		1
17	23639602	CONNECTING ROD		*		1
18	WP0650876SD	WASHER 6.5X13X0.8		*		2
19	22932453	BRACKET ASM.		*		1
20	22932404	BRACKET		*		1
21	SM9062053SR	SCREW M6 L=20		*		2
22	NS6150310SP	NUT 15/64-28		*		2
23	RE1000000K0	E-RING 10		*		2
24	RE1000000K0	E-RING 10		*		1
25	SD0720331SP	HINGE SCREW D=7.24 H=3.3		*		2
26	SM9061853SR	SCREW M6 L=17.5		*		1
27	SM9061853SR	SCREW M6 L=17.5		*		1
28	22934251	KNEE PAD PLATE ASM.				1
29	22934202	KNEE PAD PLATE		*		1
30	22934301	KNEE PAD PLATE SUPPORT		*		1
31	22934400	KNEE PAD PLATE RUBBER		*		1
32	22934509	KNEE PAD PLATE COVER		*		1
33	22934608	KNEE PAD UPRIGHT SHAFT		*		1
34	SM9061203SE	SCREW M6 L=12		*		1

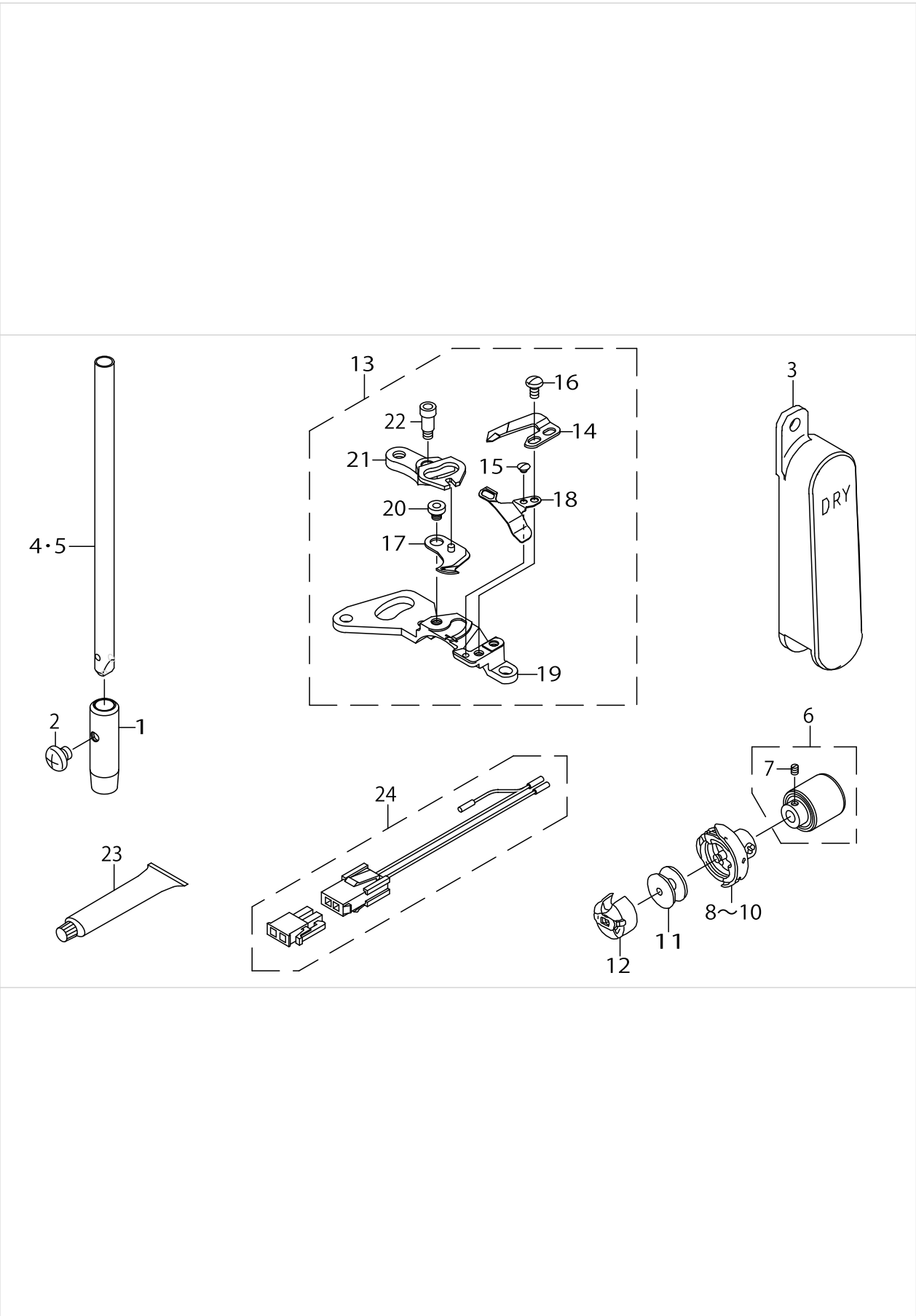
ACCESSORIE PART COMPONENTS



ACCESSORIE PART COMPONENTS

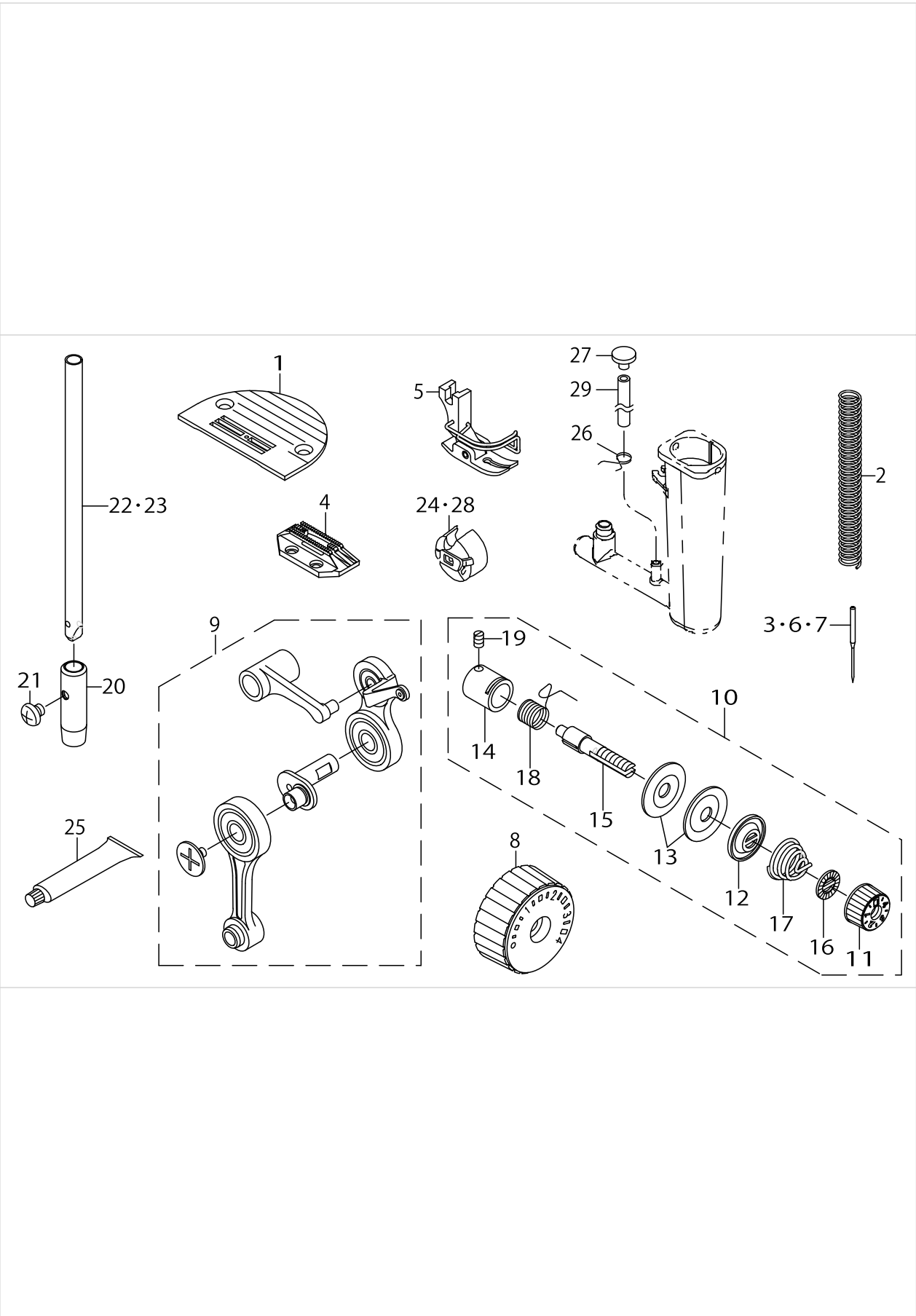
No.	Parts No.	Parts name	Remarks	Level	Cons	Qty
1	40089663	ACCESSORIE BAG ASM.	EXCEPT TYPE AK			1
2	40091140	ACCESSORIE BAG AK ASM.	TYPE AK			1
3	40099736	ACCESSORIE BAG ASM. 2	FOR CHINA (EXCEPT TYPE AK)			1
4	40099737	ACCESSORIE BAG AK ASM. 2	FOR CHINA (TYPE AK)			1
5	22932800	ACCESSORIE BAG		*		1
6	22933204	SCREW DRIVER (SMALL)	EXCEPT CHINA	*		1
7	22502504	THREAD GUIDE BAR		*		1
8	23639701	KNEE LIFTER PRESSER ROD		*		1
9	EA9500B0100	CABLE BAND		*		1
10	40055591	HEXAGONAL WRENCH KYE		*		1
11	22933105	SCREW DRIVER (MIDDLE)	EXCEPT CHINA	*		1
12	22931604	FRAME SUPPORT BAR	EXCEPT TYPE AK	*		1
13	40024081	HEAD SUPPORT ROD	TYPE AK	*		1
14	22958052	RUBBER HINGE ASM.				1
15	22926505	WASHER		*		2
16	22926000	RUBBER CUSHION		*		2
17	22958003	FRAME BUBBER CUSHION		*		2
18	22926208	NAIL		*		8
19	22926356	HINGE COMPL.		*		2
20	B91210120A0	OILER ASM.				1
21	MDB100B1100	NEEDLE DBX1 #11	VARIOUS NOS.FOR DESTINATIONS			1
22	MDB100B0900	NEEDLE DBX1 #9	VARIOUS NOS.FOR DESTINATIONS			1
23	MDB100B2100	NEEDLE DBX1 #21	VARIOUS NOS.FOR DESTINATIONS			1
24	MDB100B1400	NEEDLE DBX1 #14	VARIOUS NOS.FOR DESTINATIONS			1
25	MC200501300	NEEDLE 134 NM130	VARIOUS NOS.FOR DESTINATIONS			1
26	MC200500650	NEEDLE 134 NM65	VARIOUS NOS.FOR DESTINATIONS			1
27	MC200500750	NEEDLE 134 NM75	VARIOUS NOS.FOR DESTINATIONS			1
28	40135803	HEAD COVER				1
29	40089323	DDL-9000B SETUP DOCUMENT	EXCEPT CHINA			1
30	CM600100201	WEEE INFORMATION SHEET	VARIOUS NOS.FOR DESTINATIONS			1
31	B9117012000	BOBBIN	VARIOUS NOS.FOR DESTINATIONS			1
32	22964001	BOBBIN A	VARIOUS NOS.FOR DESTINATIONS			1
33	40102087	JUKI_MACHINE_OIL_7	EXCEPT CHINA			1

EXCLUSIVE PARTS DDL-9000B DS



EXCLUSIVE PARTS DDL-9000B DS

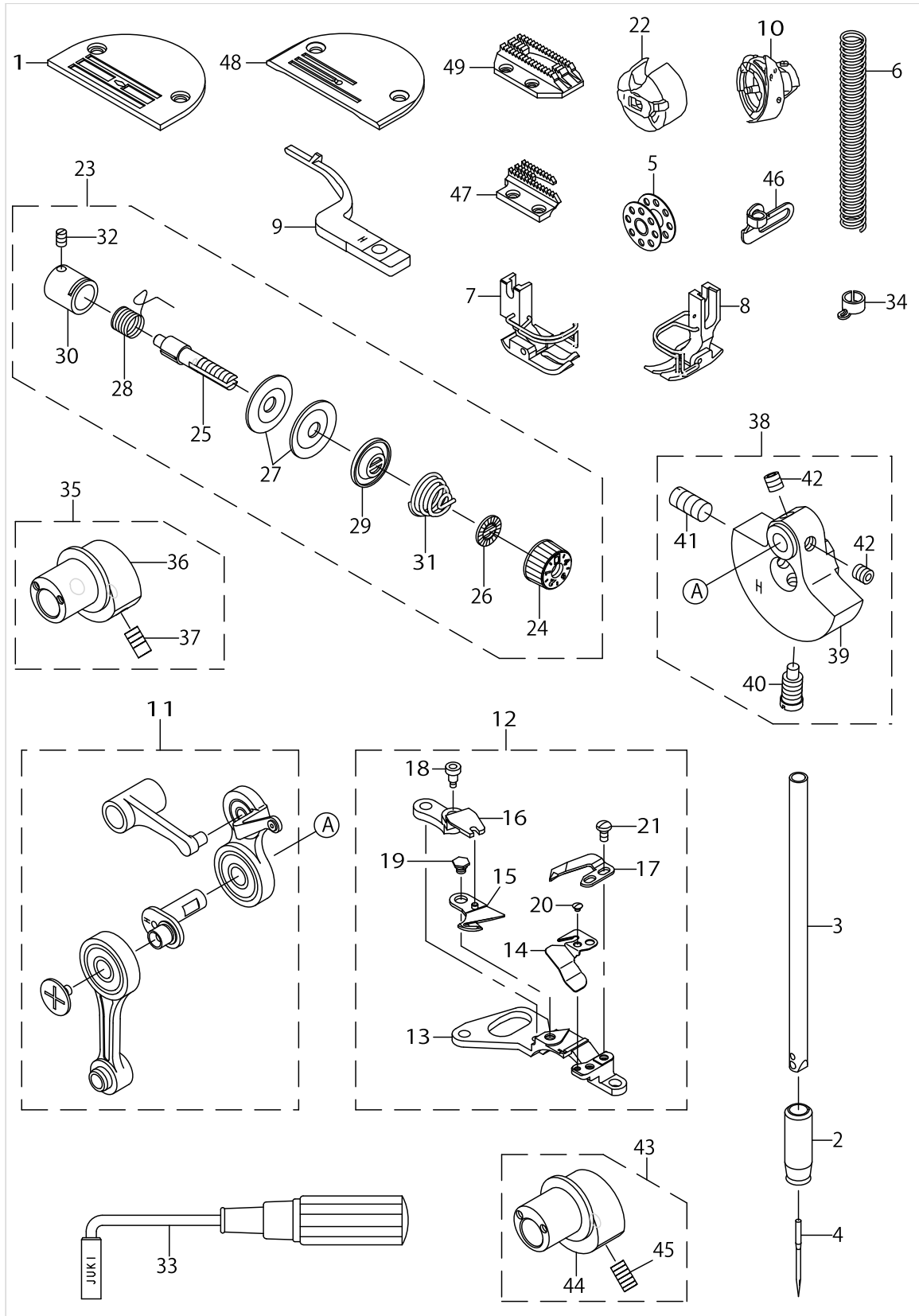
No.	Parts No.	Parts name	Remarks	Level	Cons	Qty
1	40086605	NEEDLE_BAR_LOWER_METAL_MD				1
2	SM4050501SC	SCREW M5X0.8 L=5				1
3	40037146	FLOATER SIGHT WINDOW D				1
4	40086604	NEEDLE_BAR_D_(B)	FOR DDL-9000B-DS BB			1
5	40086602	NEEDLE_BAR_D_(A)	FOR DDL-9000B-DS AA,EE,GG			1
6	40089274	HOOK_SHAFT_FRONT_BEARING_COMPL.				1
7	SS6110420TP	SCREW 11/64-40 L=4.8		*		2
8	22890404	RP HOOK C	FOR DDL-9000B-DS BB		☆	1
9	22890206	RP HOOK	FOR DDL-9000B-DS EE,GG		☆	1
10	22890305	RP HOOK S	FOR DDL-9000B-DS AA		☆	1
11	22964001	BOBBIN			☆	1
12	22896252	BOBBIN CASE ASM.			☆	1
13	40050586	KNIFE UNIT D				1
14	22895908	COUNTER KNIFE		*	☆	1
15	SS2060210SP	SCREW 3/32-56 L=2.3		*		1
16	SS4080620TP	SCREW 1/8-44 L=6		*		2
17	11040052	MOVING KNIFE ASM.		*	☆	1
18	40050588	THREAD GUIDE FOR KNIFE D		*	☆	1
19	22947907	KNIFE MOUNTING BASE		*		1
20	11040409	MOVING KNIFE HINGE SCREW		*		1
21	22896005	FORKED BASE FOR KNIFE		*		1
22	SD0460703TP	HINGE SCREW D=4.6 H=7		*		1
23	40006323	JUKI GREASE A TUBE	FOR OPTIONAL PARTS			1
24	40050581	JOINT_CABLE_ASM.				1



EXCLUSIVE PARTS DDL-9000B MS,MA

No.	Parts No.	Parts name	Remarks	Level	Cons	Qty
1	11001906	THROAT PLATE K	FOR DDL-9000B-MA EE			1
2	11162104	SPRING	FOR DDL-9000B-MA			1
3	MDB100B1100	NEEDLE DBX1 #11	FOR DDL-9000B-MA GG		☆	1
4	D1613155W00	FEED DOG W	FOR DDL-9000B-MA EE			1
5	D1524555DBB	PRESSER FOOT ASM.	FOR DDL-9000B-MA AA,BB,EE			1
6	MDB100B0900	NEEDLE DBX1 #9	FOR DDL-9000B-MA AA,EE		☆	1
7	MC200500650	NEEDLE 134 NM65	FOR DDL-9000B-MA BB		☆	1
8	40141843	REGULATOR PIN DIAL 4	FOR DDL-9000B-MA			1
9	40037439	THREAD TAKE UP COMP. A	FOR DDL-9000B-MA			1
10	40037479	THREAD TENSION DISK ASM. A	FOR DDL-9000B-MA			1
11	23626005	THREAD TENSION NUT		*		1
12	B3132552000	THREAD TENSION DISK PRESSER		*		1
13	B3126012000	THREAD TENSION DISK		*		2
14	40024845	TENSION POST SOCKET ASM.		*		1
15	B3115552000	TENSION POST		*		1
16	B3120125000	ROTATING STOPPER		*		1
17	D3129555D00	THREAD TENSION SPRING		*		1
18	D3128555D00	TAKE-UP SPRING		*	☆	1
19	SS8090670SP	SCREW 9/64-40 L=5.5		*		1
20	40086605	NEEDLE_BAR_LOWER_METAL_MD				1
21	SM4050501SC	SCREW M5X0.8 L=5				1
22	40086604	NEEDLE_BAR_D_(B)	FOR DDL-9000B-MS MA,BB			1
23	40086602	NEEDLE_BAR_D_(A)	FOR DDL-9000B-MS MA,AA,EE,GG			1
24	40000264	BOBBIN CASE ASM.	FOR DDL-9000B-MA			1
25	40006323	JUKI GREASE A TUBE	OPTIONAL PARTS			1
26	23629306	PIPE STOPPER A				1
27	40042086	CAP				1
28	11038759	BOBBIN CASE ASM.	FOR DDL-9000B-MS			1
29	23630007	TUBE				0.07

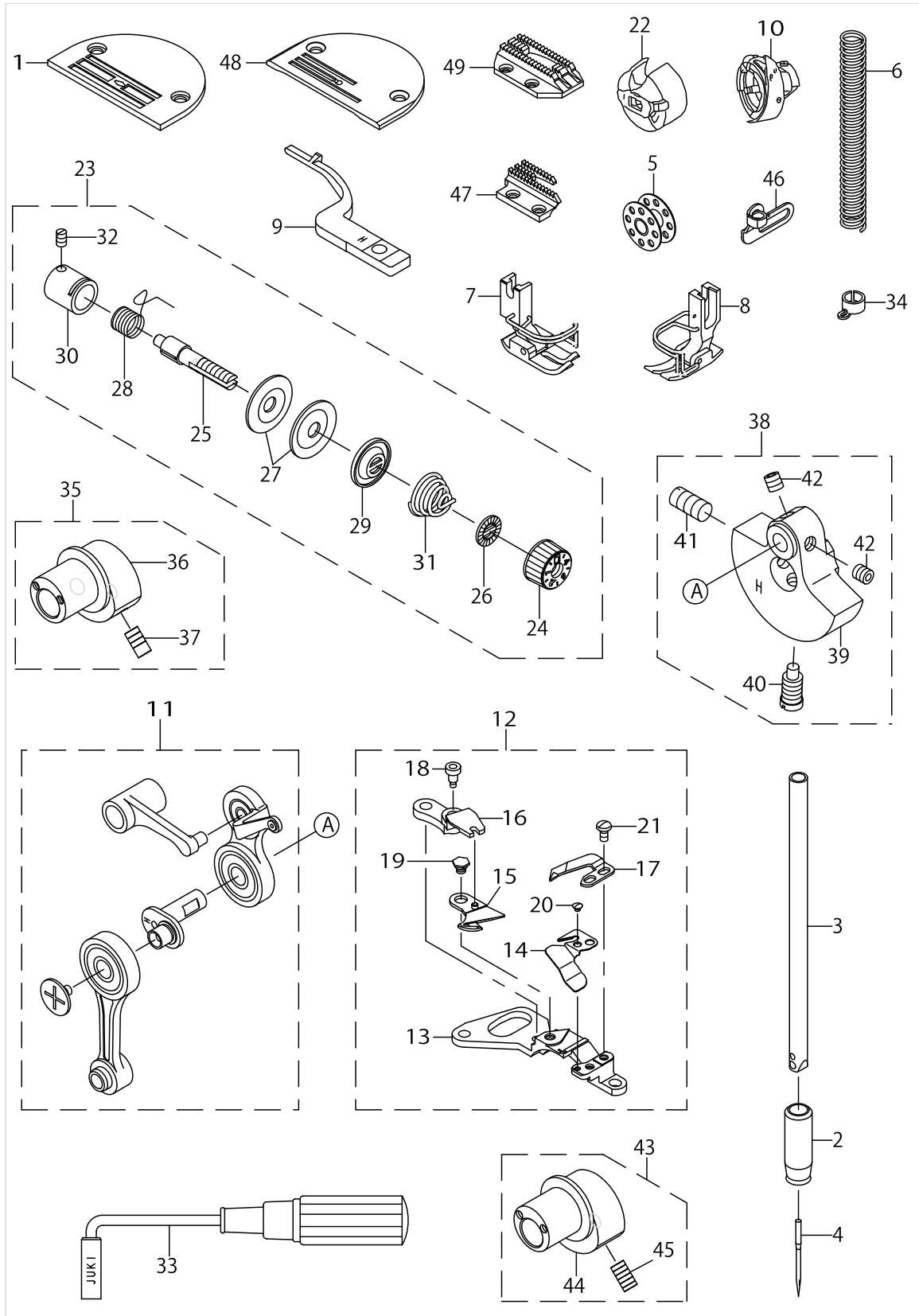
EXCLUSIVE PARTS DDL-9000B SH



EXCLUSIVE PARTS DDL-9000B SH

No.	Parts No.	Parts name	Remarks	Level	Cons	Qty
1	40089605	THROAT_PLATE_J	FOR AA,BB,EE			1
2	40107708	NEEDLE_BAR_METAL_LOWER_H				1
3	40061767	NEEDLE BAR H				1
4	MDB100B2100	NEEDLE DBX1 #21	FOR AA,GG,EE		☆	1
5	B9117012000	BOBBIN				1
6	B1505552000A	PRESSER SPRING				1
7	D1524555EBL	PRESSER FOOT ASM.	FOR AA,BB,EE			1
8	40064839	PRESSER FOOT ASM.				1
9	40089610	INNER_HOOK HOLDER_H				1
10	11092251	LUBRICATING BOBBIN ASM.			☆	1
11	40055604	THREAD TAKE UP COMP. H				1
12	40050587	KNIFE UNIT H				1
13	11095502	KNIFE MOUNT BASE		*		1
14	40044190	THREAD_GUIDE_FOR_KNIFE H		*	☆	1
15	11409257	MOVING KNIFE J ASM.		*	☆	1
16	40009894	FORKED BASE FOR KNIFE		*		1
17	40050589	FIX KNIFE H		*	☆	1
18	SD0460703TP	HINGE SCREW D=4.6 H=7		*		1
19	SD0500131TP	HINGE SCREW D=5 H=1.25		*		1
20	SS2060210SP	SCREW 3/32-56 L=2.3		*		1
21	SS4080620TP	SCREW 1/8-44 L=6				2
22	40000264	BOBBIN CASE ASM.			☆	1
23	40037313	THREAD TENSION DISK ASM. H				1
24	23626005	THREAD TENSION NUT		*		1
25	B3115552000	TENSION POST		*		1
26	B3120125000	ROTATING STOPPER		*		1
27	B3126012000	THREAD TENSION DISK		*		2
28	B3128012000	TAKE-UP SPRING		*	☆	1
29	B3132552000	THREAD TENSION DISK PRESSER		*		1
30	40024845	TENSION POST SOCKET ASM.		*		1
31	B3114232000	THREAD TENSION SPRING		*		1
32	SS8090670SP	SCREW 9/64-40 L=5.5		*		1
33	J1063000000	WRENCH	OPTIONAL PARTS			1
34	40024124	NEEDLE BAR THREAD GUIDE				1
35	23619059	VERTICAL FEED CAM H ASM.				1
36	23619000	VERTICAL FEED CAM H		*		1
37	SS8151150TP	SCREW 15/64-28 L=10.5		*		2
38	40055058	ASSY COUNTER WEIGHT H				1
39	40053411	COUNTER WEIGHT H		*		1
40	40004171	COUNTER_WEIGHT_SCREW		*		1
41	SM8081652TP	SCREW M8 L=16		*		1
42	SM80606A2TP	SCREW M6 L=6		*		2
43	40069369	VERTICAL FEED CAM ASM. 2.0	OPTIONAL PARTS			1
44	40069370	VERTICAL FEED CAM 2.0		*		1
45	SS8151150TP	SCREW 15/64-28 L=10.5		*		2
46	40063697	ARM THREAD GUIDE A H				1
47	11062601	FEED DOG	FOR GG			1

EXCLUSIVE PARTS DDL-9000B SH



EXCLUSIVE PARTS DDL-9000B SH

No.	Parts No.	Parts name	Remarks	Level	Cons	Qty
48	11062007	THROAT PLATE A	FOR GG			1
49	11403003	FEED J	FOR AA,BB,EE			1

TABLE & STAND COMPONENTS

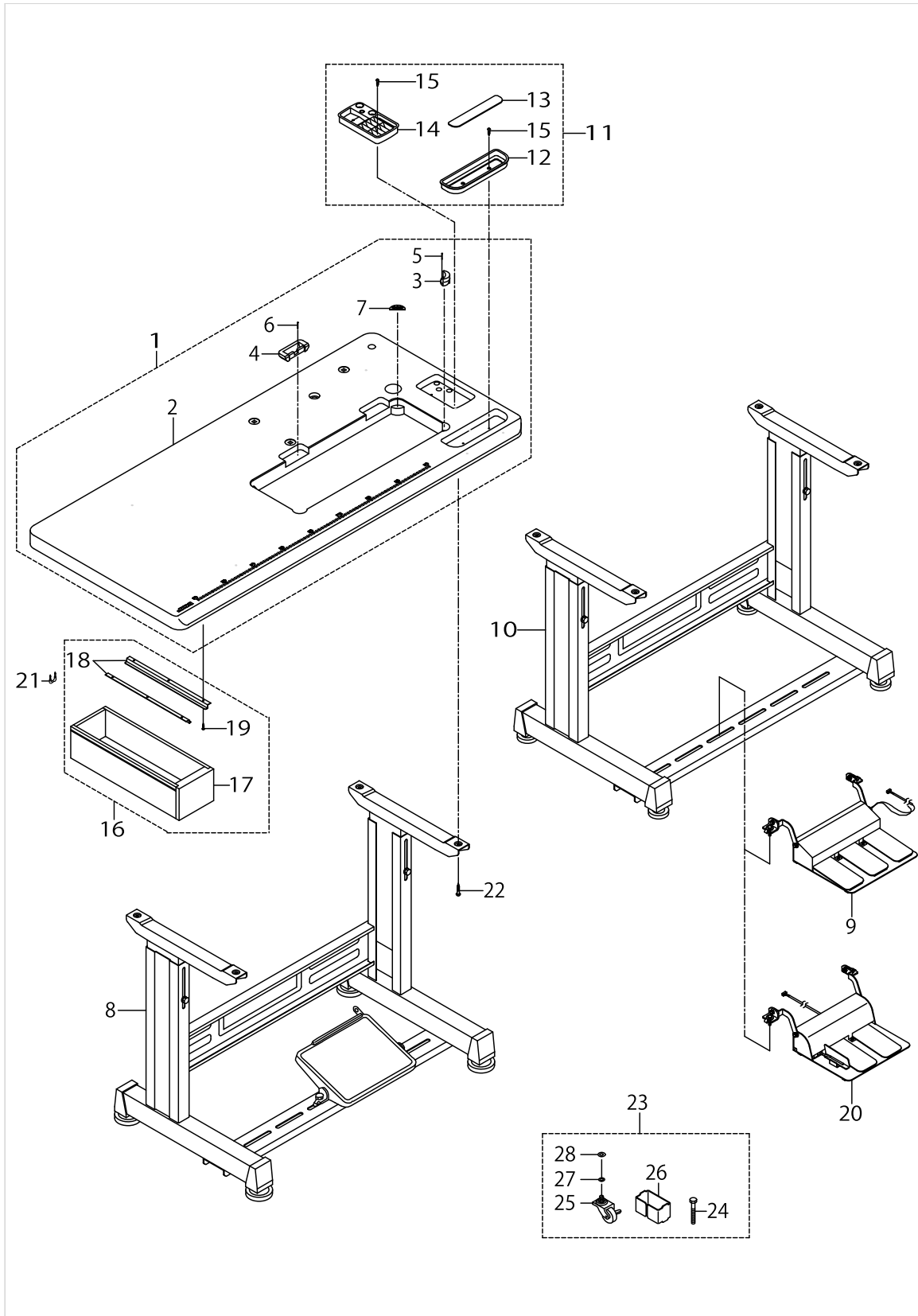
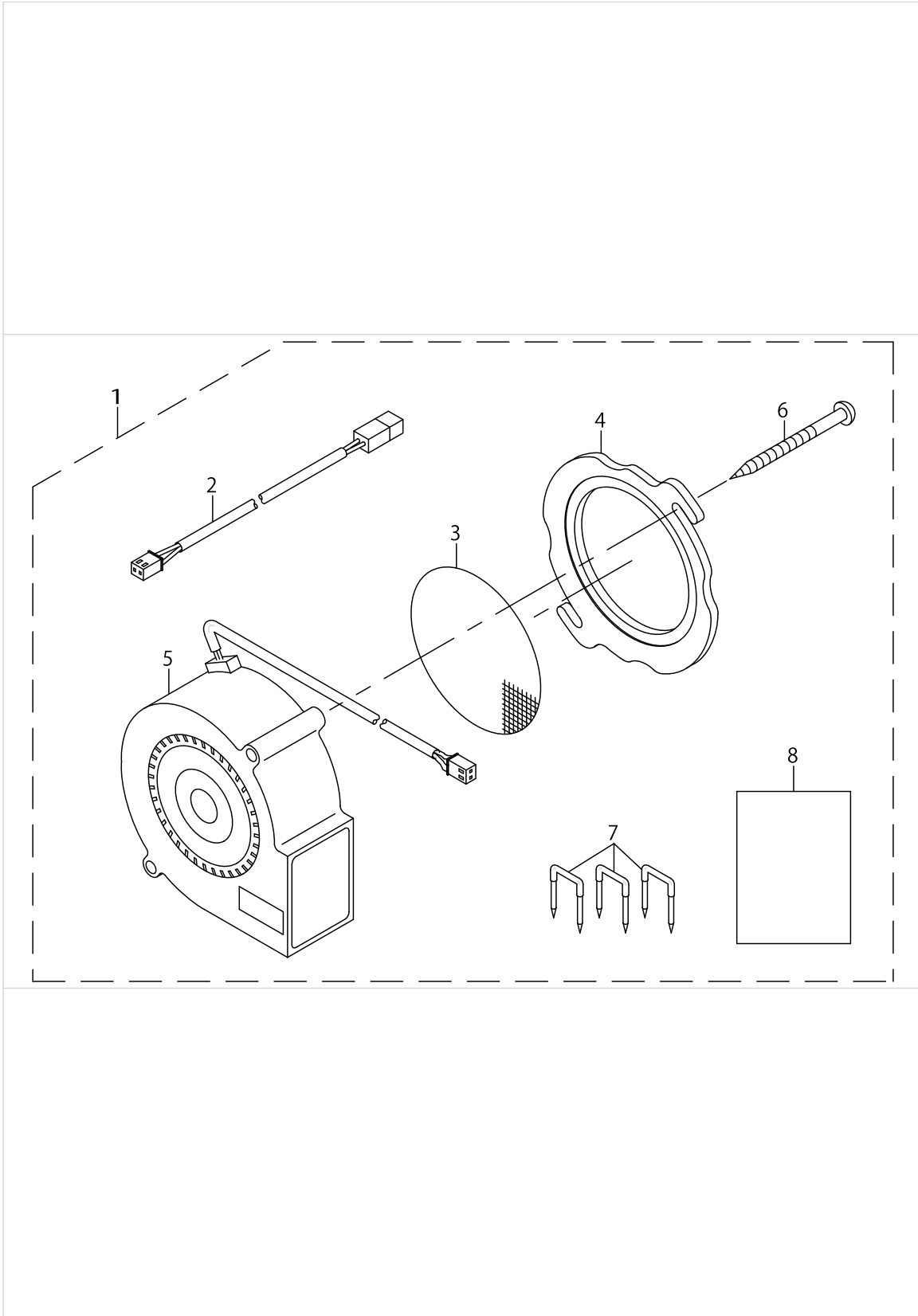


TABLE & STAND COMPONENTS

No.	Parts No.	Parts name	Remarks	Level	Cons	Qty
1	23642259	TABLE ASM.				1
2	23642200	TABLE		*		1
3	11075900	RUBBER SPACER		*		2
4	11075801	RUBBER SPACER		*		2
5	B8210012000	CUSHION SET NAIL		*		4
6	B8210012000	CUSHION SET NAIL		*		4
7	D8226555E00	FRAME RUBBER CUSHION A		*		2
8	11157567	T LEG JUNCTION	FOR JT-D950			1
9	GPK700010A0	3-JOINT PEDAL 70	FOR JT-D95A,-D95B			1
10	11157559	T-STAND ASM.	FOR JT-D95A,-D95B			1
11	11155769	SMALL CASTINGS BOX B ASM.				1
12	11156007	CASE		*		1
13	11155801	CASE MAGNET		*		1
14	11155751	CASE ASM. B		*		1
15	SK3382001SC	WOOD SCREW D=3.8 L=20		*		4
16	11155157	DRAWER ASM.				1
17	11155108	DRAWER		*		1
18	11155207	DRAWER SUPPORT		*		2
19	SK3311600SE	WOOD SCREW D=3.1 L=16		*		6
20	GPK710010A0	2-PEDAL ASM. 71	FOR JT-D95A,-D95B			1
21	D8204555D00	DRAWER STOPPER				1
22	SK3513200SC	WOOD SCREW D=5.1 L=32				4
23	11159456	CASTER ASM.	OPTIONAL PARTS			1
24	SM9086523SE	HEXAGONAL BOLT		*		2
25	11159407	CASTER		*		4
26	11159506	STRUT AUXILIARY PLATE		*		2
27	WS0861410KR	SPRING WASHER 8.6X15X1.4		*		2
28	WP0871602SE	WASHER 8.7X18X1.6		*		2

SPECIAL ORDER PART



SPECIAL ORDER PART

No.	Parts No.	Parts name	Remarks	Level	Cons	Qty
1	40065571	ELECTRIC FAN HOOK COOLING DEVICE				1
2	40044065	FAN_RELAY_CABLE		*		1
3	40064805	FAN FILTER		*		1
4	40064806	FAN COOLING COVER		*		1
5	40065564	FAN MOTOR ASSY		*		1
6	SK3415001SE	SCREW D=4.1 L=50		*		2
7	MAO11532000	CORD STAPLE		*		3
8	40065572	HOKK COOLING DEVICE INSTRUCTION MANUAL		*		1

LIST FOR INFORMATION OF CHANGE (1)

As to the place changed, refer to the corresponding Rev.No.
 When previous parts(Obsoleted part)and new parts(Added parts)are
 not interchangeable with each other:
 In this case,even obsoleted parts(D.)can be ordered with the
 obsoleted part number,so select the parts with changed dates and
 place your orders.

変更箇所は、該当Rev.No.版をご参照ください。
 部品の互換性がない変更の場合は、削除された品番でも、ご注文できます。

No.1532-04 Rev.No.

*A:Added parts追加部品/D:Obsoleted parts削除部品/E:Erratum訂正

* Rev. No.	Page 頁	Ref. No.	Parts No. 品番	* Rev. No.	Page 頁	Ref. No.	Parts No. 品番
D 03	6	2	400-37003	A 04	6	2	401-35904
D 03	6	3	400-25729	A 04	6	3	401-35916
D 03	6	7	400-86733	A 04	6	7	401-50011
D 03	6	8	SB-1200027-00				
D 03	6	9	400-44857				
D 03	6	10	236-05207				
D 03	6	18	400-20454	A 04	6	18	401-36292
D 03	6	19	400-20455	A 04	6	19	401-36293
D 03	6	20	SM-8051610-SP	A 04	6	20	SM-80506A2-TP
D 03	6	22	400-86729	A 04	6	22	401-41440
D 03	6	26	401-07708	A 04	6	26	401-07707
D 03	6	37	400-37370	A 04	6	37	401-35900
D 03	6	38	400-90527				
D 03	6	41	SB-3070002-00				
D 03	6	42	SB-3070002-0A				
D 03	6	43	SB-3070002-0B				
D 03	6	44	SB-3070002-0C				
D 03	6	45	SB-3070002-0D				
D 03	6	51	400-90529				
D 03	6	52	400-90528				
D 03	6	53	228-91204				
D 03	6	55	RE-0600000-K0				
				A 04	6	38	401-35905
				A 04	6	39	401-41165
				A 04	6	40	401-35906
				A 04	6	41	401-43184
				A 04	6	42	401-35907
				A 04	6	43	RE-0300000-K0
D 03	8	1	236-09001	A 04	8	1	401-36700
D 03	10	31	401-41839	A 04	10	31	401-61440
D 03	10	44	401-41837	A 04	10	44	401-61441
D 03	12	35	SS-6110650-TP	A 04	12	35	SS-6110710-TP
D 03	12	58	236-20206	A 04	12	58	401-45927
D 03	12	67	D1837-555-BAA-A	A 04	12	67	110-38759
D 03	12	81	400-86730	A 04	12	81	401-41443
D 03	14	15	SS-6090510-TP	A 04	14	15	SS-6090670-TP

HOW TO MAKE USE OF THIS PARTS LIST

1.Explanation of codes

1)"*"mark.....means this part is changed from the previous parts book.

As to the details of the change, refer to the "List for information of change".

2)"#01".....refer to "Note" explanation at bottom of page.

2.Codes on the "Qty" column

- Each numeral indicates the number of parts required.
- "0.1" and "2.5" indicate the length (in meters) of the respective parts.

3.Parentheses mean that the corresponding part is a subpart that constructs an assembly part.

4.Dotted lines on the Figures indicate assembly parts.

5.As to the parts with marks of "☆"(consumable parts) and "◎"(optional parts)on the respective parts, it is recommended to prepare spares.

Sign	Place of destination
GG	China
BB	Europe
EE	Japan
AA	excludes China,Europe and Japan

1."注記"欄の記号説明

1) "*"印.....前回のパーツブックに比較して今回変更された部品を意味します。

変更内容は、"変更情報リスト"を参照してください。

2) "#01".....ページ下の"注記"の説明を参照してください。

2.数量欄の数字は、個数を表し、0.1、2.5等の数値は、長さ（単位メートル）を表します。

3.数量欄の（ ）は、組部品を構成している子部品であることを意味します。

4.イラストページの-----枠は、組構成であることを意味します。

5.リストページの"☆"（消耗部品）、"◎"（オプション部品）の印がついた部品は、予備を準備しておくことをお奨めします。

記号	仕向地
GG	中国
BB	ヨーロッパ
EE	日本
AA	中国、ヨーロッパ、日本を除く

NUMERICAL INDEX OF PARTS

PART NO	PAGE	REF NO.	PART NO	PAGE	REF NO.	PART NO	PAGE	REF NO.
10618304	24	32	22896252	42	12	22932800	40	5
11001906	44	1	22901201	2	14·15	22933105	40	11
11015906	22	61	22901250	2	12·13	22933204	40	6
11028008	4	85·86	22901300	2	16·17	22934202	38	29
11038650	22	68·69	22901805	4	81	22934251	38	28
11038759	22	67	22902506	2	30	22934301	38	30
11038759	44	24·28	22902704	2	14·15	22934400	38	31
11040052	24	2	22902753	2	12·13	22934509	38	32
11040052	42	17	22904106	20	23	22934608	38	33
11040409	24	5	22904155	20	22	22944508	2	21
11040409	42	20	22906309	10	9	22944508	14	34
11043304	24	20	22906408	10	30	22945414	4	62
11062007	48	48	22906457	10	29	22945604	4	63
11062601	46	47	22907406	14	15	22945703	4	65
11075801	50	4	22907802	14	22	22945802	4	66
11075900	50	3	22908008	14	8	22947907	24	4
11079506	22	84	22908552	14	24	22947907	42	19
11092251	46	10	22908909	14	29	22948202	24	6
11095502	46	13	22910509	18	11	22950000	26	74
11141355	22	68·69	22911002	20	13	22951552	2	8
11155108	50	17	22911101	20	6	22952501	18	27
11155157	50	16	22916506	22	60	22955504	34	36
11155207	50	18	22916555	22	59	22955900	34	18
11155751	50	14	22920300	14	40	22956007	34	20
11155769	50	11	22920409	14	41	22956106	34	9
11155801	50	13	22920607	4	60	22956205	34	10
11156007	50	12	22921209	4	51	22956304	34	11
11157559	50	10	22921308	8	25	22956809	34	12
11157567	50	8	22921407	4	52	22956908	34	13
11159407	50	25	22921407	8	27	22957005	34	14
11159456	50	23	22921506	4	53	22957203	34	15
11159506	50	26	22921506	8	28	22958003	40	17
11162104	44	2	22921605	4	54	22958052	40	14
11403003	48	49	22921704	4	55	22963409	4	64
11409257	46	15	22921704	8	29	22963458	4	61
13170105	28	6	22921803	4	56	22964001	22	72
13171004	28	5	22925101	28	24	22964001	40	32
22502504	40	7	22926000	40	16	22964001	42	11
22886907	10	27·28	22926208	40	18	23600505	2	4
22887004	10	27·28	22926356	40	19	23601305	4	84
22890206	42	8~10	22926505	40	15	23608003	10	25
22890305	42	8~10	22931604	40	12·13	23609308	14	12
22890404	42	8~10	22932008	38	6·7	23609357	14	5
22895908	42	14	22932404	38	20	23609456	14	6
22896005	42	21	22932453	38	19	23609605	14	7

NUMERICAL INDEX OF PARTS

PART NO	PAGE	REF NO.	PART NO	PAGE	REF NO.	PART NO	PAGE	REF NO.
23609704	14	14	23630007	44	29	40000264	44	24·28
23610207	14	16	23630106	28	22	40000264	46	22
23610306	14	17	23630403	28	34	40000344	28	46
23610504	16	48	23630502	28	35	40000391	20	37
23610652	16	49	23631708	32	30	40000392	20	38
23610702	16	51	23631757	32	15	40004171	10	4
23611106	14	47	23631807	32	31	40004171	46	40
23612609	18	25	23631906	32	32	40006323	42	23
23613409	18	39	23632003	32	23	40006323	44	25
23613706	18	16	23632102	32	26	40006716	18	46
23614506	20	26	23632250	32	27	40009894	46	16
23616006	20	2	23632359	32	17	40011144	8	15
23616204	20	20	23632607	32	33	40013595	28	30
23616402	20	32	23632656	32	25	40014837	8	16
23616600	20	33	23638109	4	73	40015671	24	45
23616709	20	14	23638208	4	74	40023021	8	1
23618101	20	47	23638307	4	75	40023022	8	17
23618309	22	52	23638406	4	76	40024081	40	12·13
23619000	46	36	23639008	38	5	40024124	46	34
23619059	46	35	23639107	38	10	40024845	44	14
23620008	22	56	23639156	38	9	40024845	46	30
23620156	22	57	23639206	38	13	40026277	20	5
23620404	22	74	23639305	38	14	40026278	20	31
23620503	22	54	23639404	38	15	40026281	20	16
23620701	22	62~65	23639503	38	16	40026282	20	36
23620800	22	62~65	23639602	38	17	40026287	20	41
23620909	22	62~65	23639701	40	8	40026288	20	43
23621006	22	62~65	23640006	2	47·48	40029398	24	16
23626005	4	50	23642200	50	2	40030786	22	71
23626005	44	11	23642259	50	1	40032269	10	46
23626005	46	24	26226209	26	59	40034246	28	3
23626104	4	69	26260109	8	2	40035589	2	37
23626203	10	33	26260208	8	3	40036706	14	32
23626351	14	42	26260307	8	4	40036997	24	14
23626807	14	43	26260406	8	5	40036998	24	12
23628803	28	40	26260505	8	6	40037005	20	15
23628902	28	36	26260604	8	7	40037006	10	16
23629207	28	8	26260802	8	8	40037007	10	15
23629256	28	7	26261008	8	9	40037008	8	30
23629306	28	10	26261206	8	10	40037141	14	19
23629306	44	26	26261305	8	11	40037144	14	20
23629405	28	11	26261503	8	12	40037146	42	3
23629900	4	82	26261602	8	13	40037158	2	1
23630007	18	23	26261701	8	14	40037166	28	12
23630007	28	19	31256803	24	37	40037192	20	1

NUMERICAL INDEX OF PARTS

PART NO	PAGE	REF NO.	PART NO	PAGE	REF NO.	PART NO	PAGE	REF NO.
40037313	46	23	40069097	2	24	40086631	26	62
40037359	14	18	40069110	2	20	40086632	26	63
40037365	20	4	40069369	46	43	40086633	26	64
40037439	44	9	40069370	46	44	40086634	24	33
40037479	44	10	40075404	28	23	40086635	24	34
40037488	4	47-48	40077851	34	29	40086636	26	48
40037502	28	38	40077852	34	16	40086637	26	72
40038328	28	37	40077853	34	2	40086639	4	49
40041161	2	2	40082059	28	1	40086640	4	57
40042079	20	10	40082078	14	30	40086643	14	38
40042086	44	27	40085784	36	17	40086646	28	32
40044065	52	2	40085785	36	18	40086647	28	33
40044189	24	3	40085786	36	2	40086648	28	15
40044190	46	14	40085787	36	3	40086655	32	34
40050581	42	24	40085788	36	4	40086659	4	71
40050582	14	39	40085789	36	5	40086660	4	72
40050583	14	21	40085790	36	6	40086674	18	17
40050585	24	1	40085791	36	7	40086675	18	18
40050586	42	13	40085792	36	19	40086676	34	1
40050587	46	12	40085793	36	20	40086678	34	17
40050588	42	18	40085794	36	8	40086679	34	32
40050589	46	17	40085795	36	9	40086680	34	31
40051473	10	12	40085796	36	23	40086690	20	45
40051474	10	13	40086597	10	1	40086693	28	41
40052819	2	3	40086602	42	4-5	40086695	18	2
40052933	2	45	40086602	44	22-23	40086696	18	3
40053411	46	39	40086604	42	4-5	40086697	30	48
40053720	20	40	40086604	44	22-23	40086698	32	13
40055058	46	38	40086605	42	1	40086699	32	35
40055591	40	10	40086605	44	20	40086704	18	8
40055604	46	11	40086606	14	2	40086705	18	9
40056622	14	46	40086607	14	3	40086706	18	12
40058504	20	9	40086608	18	5	40086708	26	55
40061215	24	13	40086609	18	22	40086709	26	58
40061246	20	8	40086613	18	45	40086711	24	29
40061767	46	3	40086614	18	14	40086712	26	79
40062321	38	1-2	40086615	18	7	40086713	2	6
40062323	38	3-4	40086616	18	13	40086714	2	34
40063697	46	46	40086617	18	36	40086716	34	35
40064805	52	3	40086618	22	77	40086717	34	19
40064806	52	4	40086621	26	60	40086723	34	3
40064839	46	8	40086622	24	36	40086724	34	4
40065564	52	5	40086623	24	47	40086727	24	27
40065571	52	1	40086624	24	42	40086731	10	24
40065572	52	8	40086628	26	70	40086732	2	33

NUMERICAL INDEX OF PARTS

PART NO	PAGE	REF NO.	PART NO	PAGE	REF NO.	PART NO	PAGE	REF NO.
40086735	18	1	40096325	36	21	B1116210D00	38	8
40086736	18	37	40096326	36	10	B1116804000	24	40
40086737	18	20	40096327	36	12	B1505552000A	46	6
40086738	18	15	40098329	28	31	B1521555000	14	23
40086739	18	21	40098386	4	77	B15240120BA	14	26
40086740	22	70	40099736	40	1~4	B1613012I00	20	25
40086741	22	78	40099737	40	1~4	B3114232000	46	31
40086742	22	79	40102087	40	33	B3115552000	44	15
40086743	20	34	40107707	10	26	B3115552000	46	25
40086744	22	73	40107708	46	2	B3118552F00	16	54
40086746	24	18	40108401	36	16	B3120125000	44	16
40086747	26	53	40108402	36	1	B3120125000	46	26
40086748	24	44	40114043	2	44	B3126012000	44	13
40086750	32	1	40122891	18	42	B3126012000	46	27
40086753	32	3	40123098	18	30	B3128012000	46	28
40086757	20	44	40135639	28	2	B3132552000	44	12
40086759	32	37	40135640	28	13	B3132552000	46	29
40086760	14	13	40135803	40	28	B412352200A	20	28~30
40088958	8	24	40135900	10	37	B412352200B	20	28~30
40088959	8	26	40135904	10	2	B412352200C	20	28~30
40089196	10	11	40135905	10	38	B8210012000	50	6
40089263	24	19	40135906	10	40	B8228125000	28	44
40089264	34	6	40135907	10	42	B9117012000	40	31
40089274	42	6	40135916	10	3	B9117012000	46	5
40089323	40	29	40136292	10	18	B91210120A0	40	20
40089605	46	1	40136293	10	19	CM300200001	2	23
40089607	22	75	40136700	14	1	CM300200003	2	25
40089610	46	9	40136701	26	56	CM301300001	2	29
40089663	40	1~4	40141165	10	39	CM600100101	4	87
40089665	38	1·2	40141440	10	22	CM600100201	40	30
40089671	38	3·4	40141443	22	81	CM600600101	4	88
40089672	24	26	40141838	18	33	CQ200000001	28	20
40090058	10	32	40141840	18	32	CQ250000001	28	9
40090099	26	80	40141841	18	34	CS1000881TP	10	47
40091140	40	1~4	40141842	18	29	D1524555DBB	44	5
40091397	4	91	40141843	44	8	D1524555EBL	46	7
40091461	2	38	40143184	10	41	D1613155W00	44	4
40094561	2	11	40145927	22	58	D2406555D0H	24	7
40095175	34	5	40149785	28	45	D2468555B00	32	5
40095218	26	82	40150011	10	7	D3128555D00	44	18
40095843	24	41	40161440	18	31	D3129555D00	44	17
40095844	32	12	40161441	18	44	D5119206K0K	16	50
40095847	18	40	B1109012I0B	4	85·86	D8204555D00	50	21
40095870	26	50	B1109552000	4	92	D8226555E00	50	7
40095873	26	83	B1116210D00	26	51	EA9500B0100	2	78

NUMERICAL INDEX OF PARTS

PART NO	PAGE	REF NO.	PART NO	PAGE	REF NO.	PART NO	PAGE	REF NO.
EA9500B0100	4	78	RE0300000K0	10	43	SL6052592TN	12	49
EA9500B0100	12	50	RE0400000K0	8	19	SL6053592TN	16	52
EA9500B0100	32	28	RE0500000K0	14	45	SL6061292TN	28	27
EA9500B0100	40	9	RE0500000K0	18	24	SM0050801SC	8	32
GPK700010A0	50	9	RE0500000K0	24	31	SM2040750TP	2	28
GPK710010A0	50	20	RE0500000K0	34	24	SM2040955TP	2	27
HK03464000B	24	23	RE0700000K0	24	39	SM4021201SC	4	79
HK03464000B	32	2	RE1000000K0	38	24	SM4040601SC	30	49
HK03464000B	34	7	RE1200000K0	32	4	SM4040655SP	2	36
HW500070000	34	8	RO036080200	22	85	SM4040655SP	20	42
J1063000000	46	33	RO037180100	14	25	SM4040855SP	2	22
MAO11532000	52	7	RO037180100	28	39	SM4040855SP	14	36
MC200500650	40	21~27	RO044240100	16	53	SM4041055SP	24	11
MC200500650	44	3·6·7	RO048190100	28	47	SM4050501SC	42	2
MC200500750	10	34~36	RO068190100	28	16	SM4050501SC	44	21
MC200500750	40	21~27	RO080150200	4	83	SM4050655SP	4	80
MC200501300	40	21~27	RO092270200	18	43	SM4050655SP	26	61
MDB100B0900	40	21~27	RO098240100	28	25	SM4050855SP	2	19
MDB100B0900	44	3·6·7	RO172180100	28	26	SM4050855SP	20	19
MDB100B1100	10	34~36	RO195240100	28	4	SM4051055SP	2	89
MDB100B1100	40	21~27	SB117001200	22	51	SM4051055SP	4	89
MDB100B1100	44	3·6·7	SB120001800	22	80	SM4051055SP	8	33
MDB100B1400	10	34~36	SB120002700	10	21	SM4051055SP	22	76
MDB100B1400	40	21~27	SB32000060A	22	48~50	SM4051055SP	32	24
MDB100B2100	40	21~27	SB32000060B	22	48~50	SM4051055SP	34	37
MDB100B2100	46	4	SB32000060C	22	48~50	SM4051255SP	2	32
NM6040000SN	24	24	SD0460703TP	24	8	SM4051405SE	36	24
NM6040001SP	2	42	SD0460703TP	42	22	SM5040655SN	4	68
NM6040001SP	24	46	SD0460703TP	46	18	SM5040655SN	8	20
NM6050001SC	26	57	SD0500131TP	46	19	SM5040655SN	28	29
NM6050001SE	36	25	SD0500701TP	26	77	SM6040602TP	14	9
NM6050001SP	32	10	SD0630275SP	26	73	SM6040800SP	26	52
NM6060001SE	38	11	SD0640321SP	26	69	SM6051400SP	14	4
NM6060003SE	14	31	SD0640631TP	26	71	SM6051400SP	20	17
NS6090310SP	34	21	SD0641456TP	24	17	SM6051402TP	14	37
NS6110310SP	26	78	SD0650321TP	34	25	SM6051402TP	28	28
NS6110310SP	34	22	SD0720331SP	38	25	SM6051602TP	18	19
NS6150310SP	26	75	SK3311600SE	50	19	SM6051602TP	32	14
NS6150310SP	38	22	SK3382001SC	50	15	SM6051850TP	18	28
NS6620310SP	14	44	SK3415001SE	52	6	SM6052502TP	2	26
NS6660410SH	24	21	SK3513200SC	50	22	SM6061002TP	2	7
NS6660430SP	24	22	SL4030631SC	34	26	SM6061002TP	24	28
RC0370411KP	34	23	SL4030641SE	34	27	SM6061010TP	26	49
RC0560711KP	8	18	SL6040892TN	28	42	SM6061202TP	2	35
RC1200001KP	22	83	SL6051492TN	28	43	SM8040802TP	8	21

NUMERICAL INDEX OF PARTS

PART NO	PAGE	REF NO.	PART NO	PAGE	REF NO.
SM8050412TP	12	48	SS6121610SP	20	11
SM8050502TP	8	22	SS6121860SP	18	35
SM80506A2TP	10	20	SS7080510TP	10	10
SM80506A2TP	18	4	SS7091110TP	14	27
SM80606A2TP	10	6	SS7110740TP	26	65
SM80606A2TP	18	47	SS7110740TP	32	29
SM80606A2TP	24	43	SS8090670SP	4	58
SM80606A2TP	46	42	SS8090670SP	44	19
SM8060812TP	24	35	SS8090670SP	46	32
SM80608A2TP	2	70	SS8150822TP	20	3
SM80608A2TP	4	70	SS8151150TP	20	39
SM80608A2TP	10	44	SS8151150TP	46	45
SM80608A2TP	18	26	SS8660610TP	20	24
SM80608A2TP	22	82	SS8661012TP	20	66
SM80608A2TP	26	54	SS8661012TP	22	66
SM8061010TP	26	68	TA0850604R0	10	51
SM8061050TP	26	67	TA0850604R0	12	51
SM8063012TR	38	12	TA1250406R0	2	43
SM8081652TP	10	5	TA1470704R0	2	41
SM8081652TP	46	41	WP0430800SC	24	25
SM8480652TP	32	36	WP0450801SP	26	66
SM9061203SE	38	34	WP0450826SC	8	23
SM9061853SR	38	27	WP0480856SP	20	18
SM9062053SR	38	21	WP0501016SD	6	95
SM9086523SE	50	24	WP0501016SD	16	55
SQ2050453MZ	28	14	WP0501016SD	30	50
SS2060210SP	24	9	WP0531001SC	36	15
SS2060210SP	42	15	WP0550800SP	4	90
SS2060210SP	46	20	WP0550800SP	32	7
SS4080620TP	20	27	WP0551016SH	32	9
SS4080620TP	24	10	WP0621016SD	4	94
SS4080620TP	42	16	WP0621016SD	14	33
SS4080620TP	46	21	WP0621016SD	26	81
SS4110615SP	34	30	WP0621016SH	26	76
SS6060210SP	2	18	WP0650876SD	38	18
SS6090540SP	34	28	WP0651001SC	34	34
SS6090620TP	20	12	WP0661016SP	34	33
SS6090670TP	10	31	WP0841600SD	24	38
SS6090670TP	20	53	WP0871602SE	50	28
SS6090670TP	22	53	WP1602616SZ	32	6
SS6090670TP	24	15	WP1612616SE	36	22
SS6110420TP	42	7	WS0510002KN	36	14
SS6110610TP	4	59	WS0610002KN	32	11
SS6110710TP	20	35	WS0861410KR	50	27
SS6110710TP	24	30			