

MODEL : SC-920

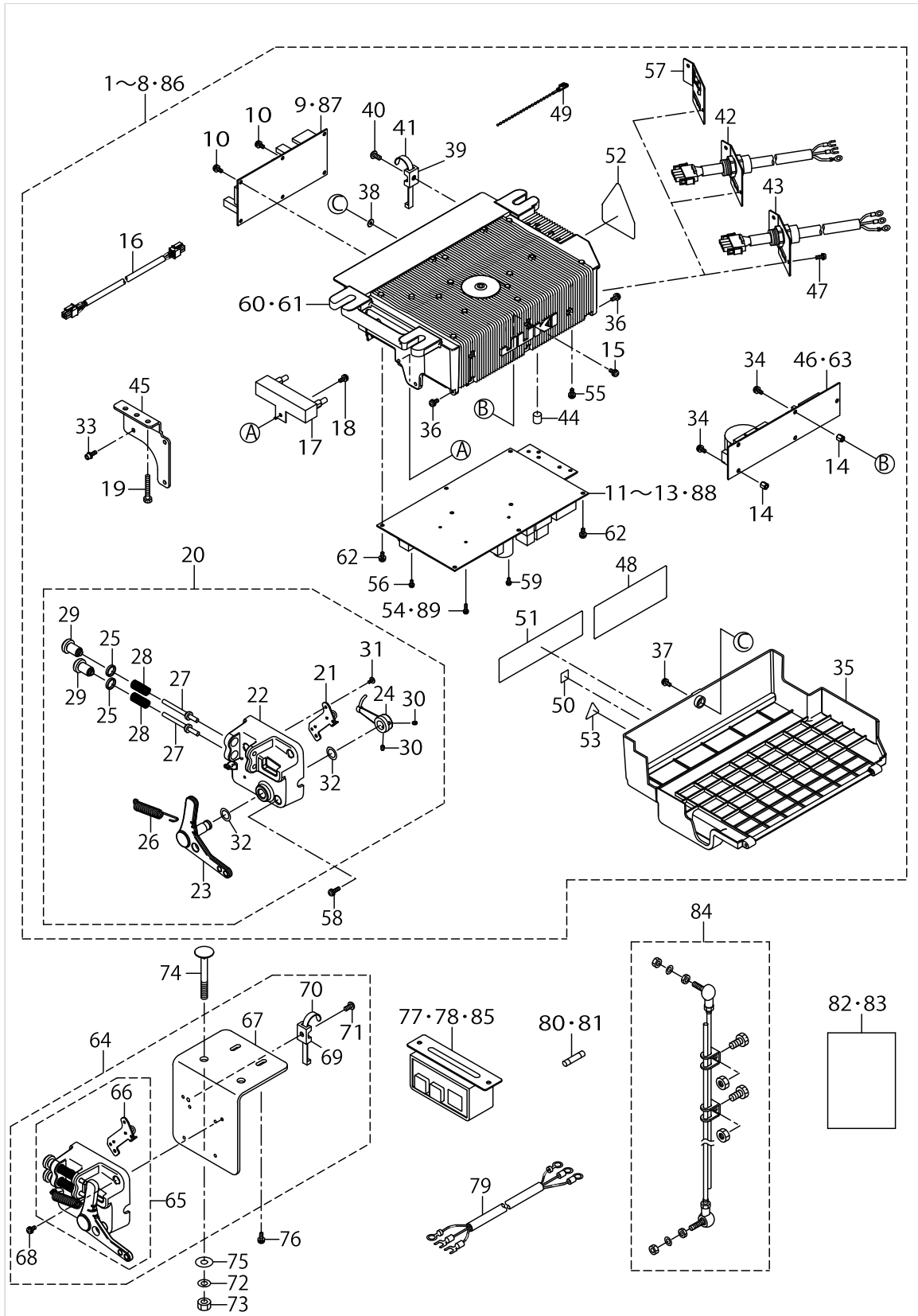
List No : 1530-04

PARTS LIST

Published:11/30/2017

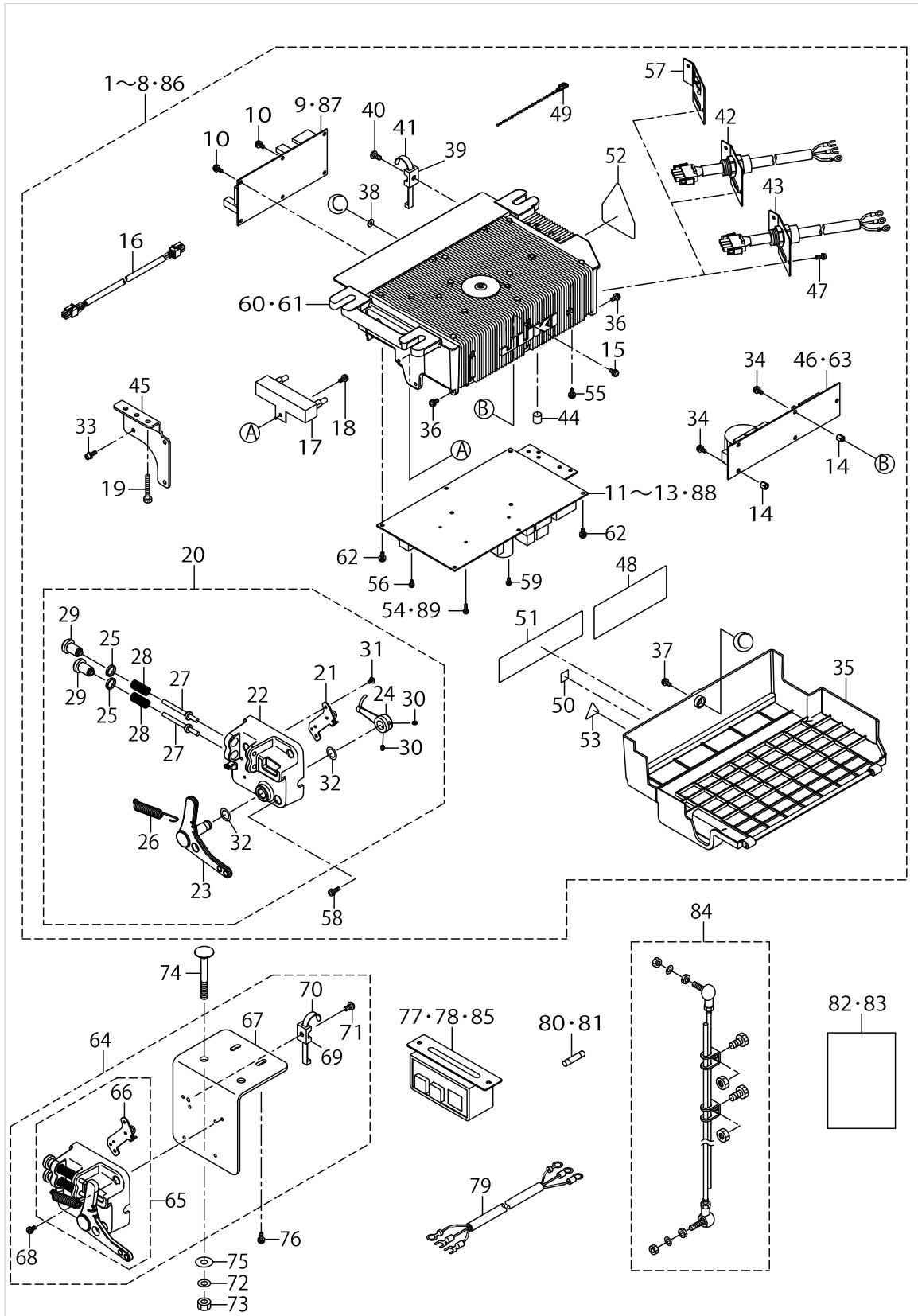
CONTENTS

SC-920	1
CP-18 TYPE A.....	7
REACTOR BOX 1P (FOR CE).....	9
HOW TO MAKE USE OF THIS PARTS LIST	11



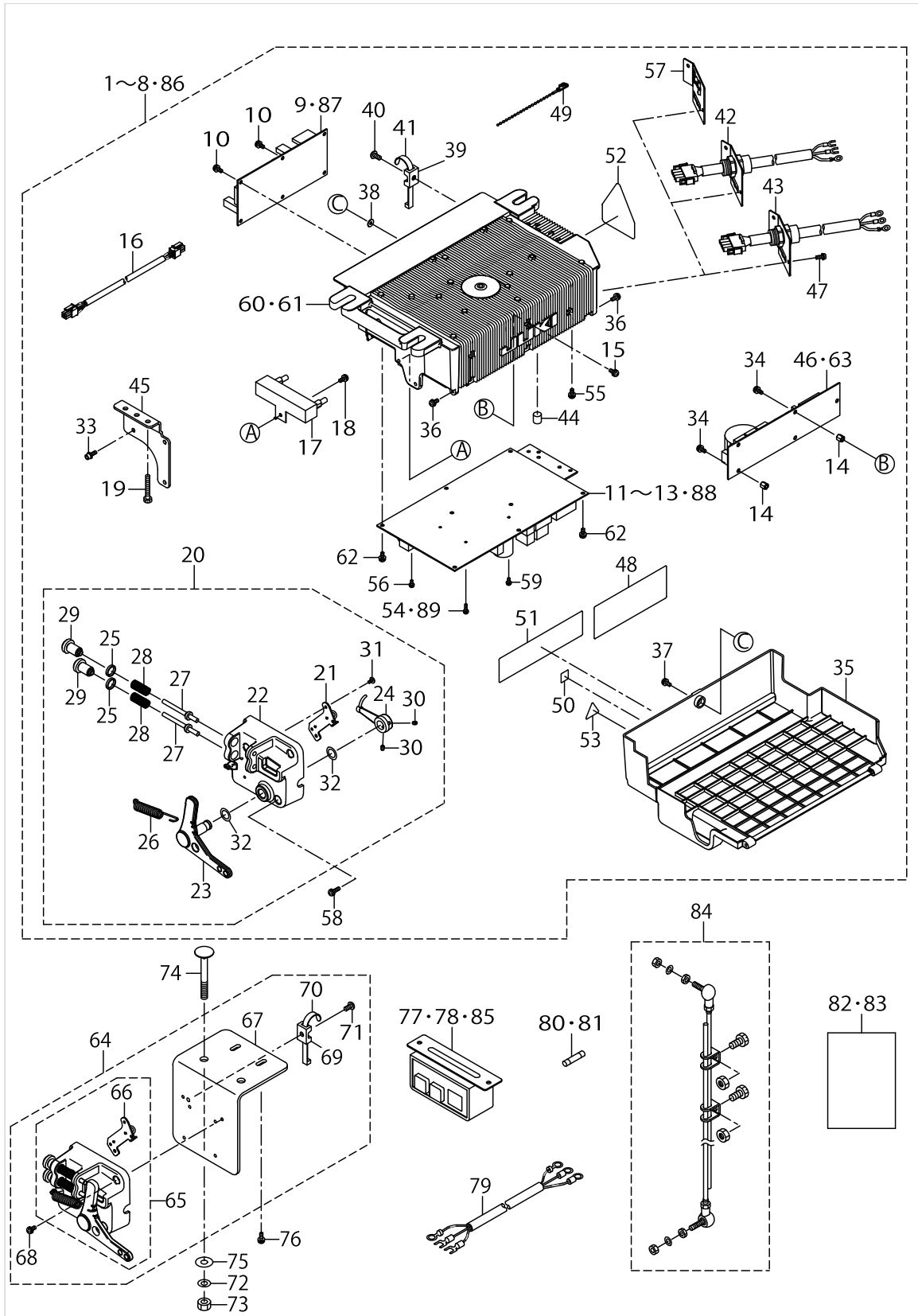
SC-920

No.	Parts No.	Parts name	Remarks	Level	Cons	Qty
1	40087107	PSC UNIT 1PHASE 220-240V CE PFL				1
2	40087114	PSC UNIT 1PHASE 220-240V PFL				1
3	40087115	PSC UNIT 3PHASE 200-240V PFL	FOR 3-PHASE 200~240V PFL, 3-- PHASE 200~240V JA PFL (SPECIFICATIONS WITH PEDAL)			1
4	40089409	PSC UNIT 1PHASE 100-120V LA PFL				1
5	40094306	PSC UNIT 1PHASE 100-120V LA PFL PDL-SP				1
6	40094307	PSC UNIT 1PHASE 220-240V CE PFL PDL-SP				1
7	40094308	PSC UNIT 1PHASE 220-240V PFL PDL-SP				1
8	40094309	PSC UNIT 3PHASE 200-240V PFL PDL-SP				1
9	40087119	CTL_PCB_ASSY		*		1
10	SL4041081SC	SCREW M4 L=10		*		6
11	40089241	PWR-CE PCB ASSY	FOR 1-PHASE 220~240V CE PFL	*		1
12	40087129	PWR-S PCB ASSY	FOR 1-PHASE 220~240V PFL	*		1
13	40087147	PWR-T PCB ASSY	FOR 3-PHASE 200~240V PFL, 1-- PHASE 100~120V LA PFL, 3-PHASE 200~240V JA PFL	*		1
14	40088311	STUD	FOR 1-PHASE 220~240V CE PFL, 3-PHASE 200~240V PFL, 1-PHAS- E 100~120V LA PFL, 3-PHASE 200~240V JA PFL	*		5
15	SL4041081SC	SCREW M4 L=10	FOR 1-PHASE 220~240V CE PFL, 3-PHASE 200~240V PFL, 1-PHAS- E 100~120V LA PFL, 3-PHASE 200~240V JA PFL	*		5
16	40087153	DC POWER SUPPLY CORD ASSY		*		1
17	40087154	RESISTANCE_A_ASSY		*		1
18	SL4041091SC	SCREW M4 L=10		*		1
19	ST9053511SR	TAPPING SCREW M5X35		*		2
20	40087155	PEDAL_SENSOR_A_ASSY		*		1
21	40087159	SENSOR COIL HOLD A ASSY		*		1
22	40042130	PEDAL_SENSOR_BASE		*		1
23	40087156	PEDAL_LEVER_A		*		1
24	40042133	PEDAL_LEVER_B		*		1
25	40006202	ADJUST_NUT		*		2
26	40006207	FRONT_SPRING		*		1
27	40006208	SPRING_SHAFT_A		*		2
28	40049426	SPRING_C		*		2
29	40006212	ADJUST_SCREW		*		2
30	SM8040612TP	SCREW M4 L=6		*		2
31	SV4030601SR	SCREW M3 L=6		*		2
32	40088315	THRUST COLLAR		*		2
33	SL6041292TN	SCREW		*		3
34	SL4040681SC	COMBINATION SCREW M4X8	FOR 1-PHASE 220~240V CE PFL, 3-PHASE 200~240V PFL, 1-PHAS- E 100~120V LA PFL, 3-PHASE 200~240V JA PFL	*		5
35	40087167	UNDER_COVER		*		1
36	40087157	HINGE SCREW		*		2
37	SL4041681SC	SCREW M4 L=16		*		1
38	M8002430000	STOPPER		*		1
39	KX000000210	SADDLE TYPE TIE MOUNT		*		1
40	SM4051001SC	SCREW M5 L=10		*		1
41	KX000000230	RELEASIBLE CABLE TIE		*		1
42	40088035	POWER SUPPLY PLATE ASSY CE	FOR 1-PHASE 220~240V CE PFL	*		1
43	40089563	POWER SUPPLY PLATE ASSY LA	FOR 1-PHASE 100~120V LA PFL	*		1



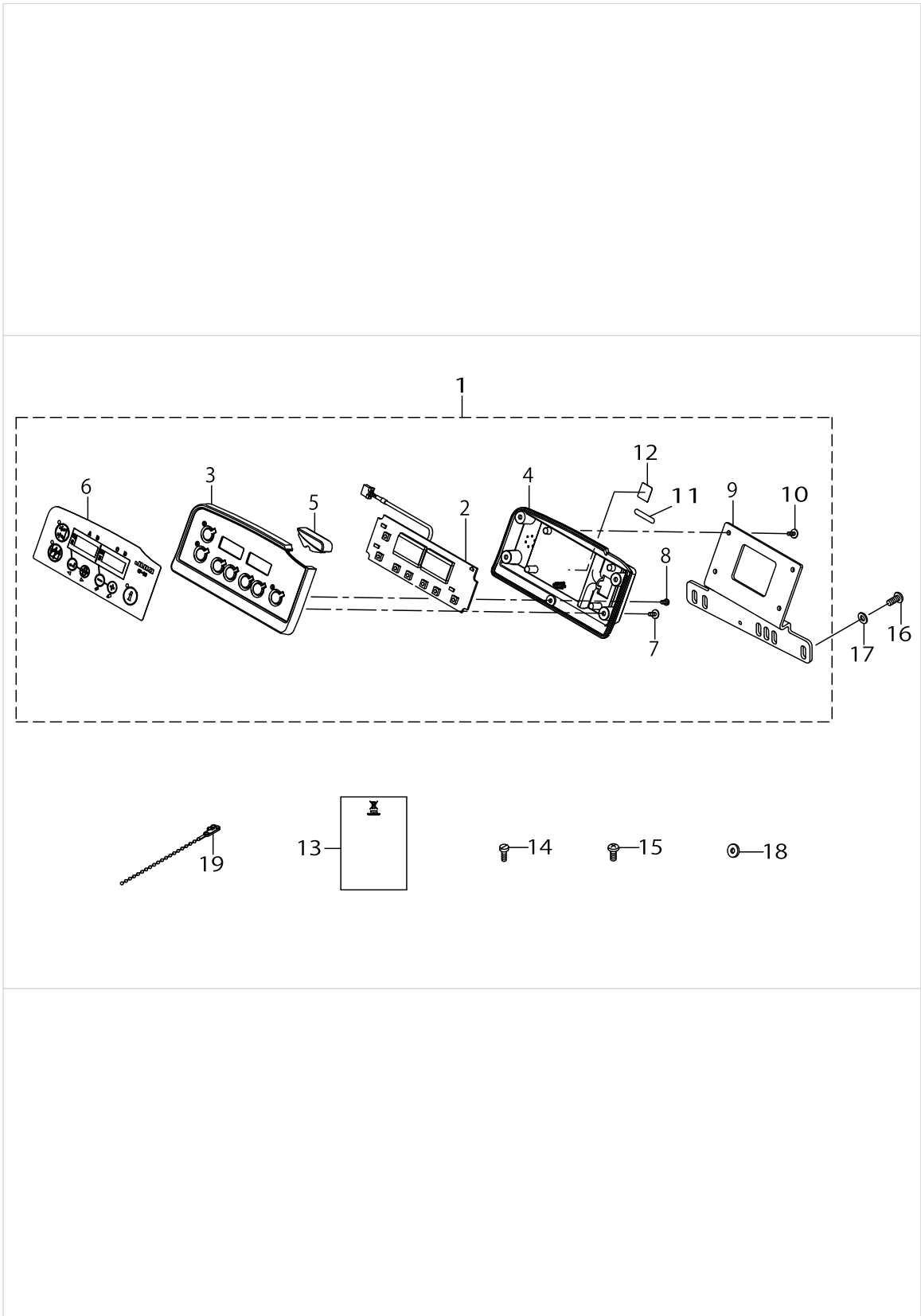
SC-920

No.	Parts No.	Parts name	Remarks	Level	Cons	Qty
44	40088316	RUBBER_CUSHION		*		2
45	40093424	BOX BRACKET		*		1
46	40087139	FLT-T PCB ASSY	FOR 3-PHASE 200~240V PFL, 1-- PHASE 100~120V LA PFL, 3-PHASE 200~240V JA PFL	*		1
47	SL4041081SC	SCREW M4 L=10		*		2
48	CM300100402	VOLTAGE DANGER LABEL(SMALL)	FOR 3-PHASE 200~240V PFL, 1-- PHASE 100~120V LA PFL, 3-PHASE 200~240V JA PFL	*		1
49	KX000000280	BEAD BAND		*		2
50	CM600100101	WEEE MARK LABEL S	FOR 1-PHASE 220~240V CE PFL	*		1
51	CM300100302	VOLTAGE DANGER LABEL(SMALL)	FOR 1-PHASE 220~240V CE PFL	*		1
52	CM300400602	VOLTAGE CAUTION LABEL L=25		*		1
53	CM300100003	VOLTAGE WARNING LABEL(25)	FOR 1-PHASE 220~240V PFL	*		1
54	SL4031081SC	SCREW M3 L=10		*		2
55	SL4040881SC	SCREW M4 L=8		*		3
56	SL4030881SC	SCREW M3 L=8		*		1
57	40087168	HOUSING_PLATE_A	FOR 1-PHASE 220~240V PFL, 3-- PHASE 200~240V PFL, 3-PHASE 200~240V JA PFL	*		1
58	SL4041491SC	SCREW 4 L=14		*		3
59	SL4030881SC	SCREW M3 L=8	FOR 1-PHASE 220~240V PFL	*		1
60	40087166	FRAME_B	FOR 1-PHASE 220~240V CE PFL, 3-PHASE 200~240V PFL, 1-PHASE- E 100~120V LA PFL, 3-PHASE 200~240V JA PFL	*		1
61	40087165	FRAME_A	FOR 1-PHASE 220~240V PFL	*		1
62	SL4041081SC	SCREW M4 L=10		*		10
63	40103079	FLT-CE PCB ASSY	FOR 1-PHASE 220~240V CE PFL	*		1
64	40094262	PEDAL SENSOR BASE ASSY				1
65	40094259	PEDAL SENSOR ASM.		*		1
66	40094260	SENSOR COIL HOLD ASSY		*		1
67	40093423	SENSOR BRACKET		*		1
68	SL4041091SC	SCREW M4 L=10		*		3
69	KX000000210	SADDLE TYPE TIE MOUNT		*		1
70	KX000000230	RELEASIBLE CABLE TIE		*		1
71	SM4051001SC	SCREW M5 L=10		*		1
72	WS0820002KR	SPRING WASHER M8				1
73	NM6080002SC	NUT M8				1
74	MTSHJ100003	BOLT				1
75	WP0851846SC	WASHER 8.5X22.0X1.8				1
76	SL4051291SC	SCREW M5X0.8 L=12				2
77	M6101471CA0	POWER SWITCH C ASM.	FOR 1-PHASE 220~240V PFL			1
78	40089414	AC POWER SUPPLY CORD D	FOR 3-PHASE 200~240V JA PFL (SPECIFICATIONS WITH PEDAL)			1
79	M6102461DAA	AC INPUT CABLE ASM.(CE)	FOR 1-PHASE 220~240V CE PFL			1
80	KF000000080	SLO-BLO FUSE				1
81	KF000000030	SLO-BLO FUSE				1
82	CM600100201	WEEE INFORMATION SHEET	FOR 1-PHASE 220~240V CE PFL			1
83	40091952	EC DECLARATION (BOX)	FOR 1-PHASE 220~240V CE PFL			1
84	40088314	CONNECING ROD ASSY				1
85	40049385	POWER SWITCH D ASM.				1
86	40099980	PSC UNIT (F) 1PHASE 220-240V PFL				1
87	40162967	CTL PCB ASSY CE	FOR 1-PHASE 220~240V CE PFL	*		1



SC-920

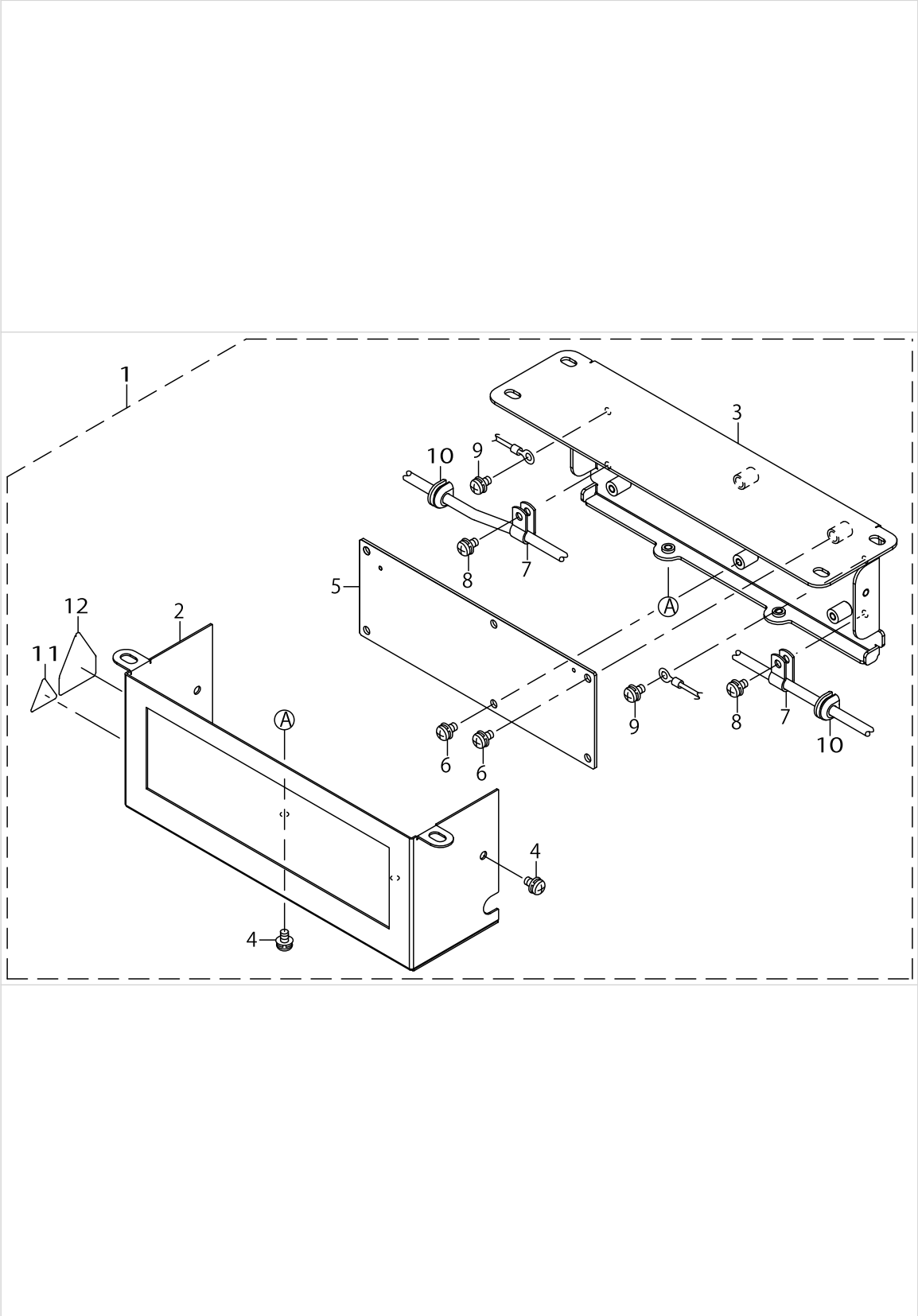
No.	Parts No.	Parts name	Remarks	Level	Cons	Qty
88	40099351	PWR-S (F) PCB ASSY		*		1
89	SL4031291SC	SCREW M3X12		*		2



CP-18 TYPE A

No.	Parts No.	Parts name	Remarks	Level	Cons	Qty
1	40088334	CP-18 TYPE A				1
2	40088126	CP PCB ASSY		*		1
3	40088347	FRONT_CASE		*		1
4	40088348	REAR_CASE		*		1
5	40088349	INDICATOR		*		1
6	40088351	PANEL SHEET		*		1
7	SV4030802SN	TAPPING SCREW WITH FLANGE M3X8		*		4
8	ST4030651SN	SCREW M3X6		*		1
9	40088350	PANEL BRACKET_A		*		1
10	SV4030802SN	TAPPING SCREW WITH FLANGE M3X8		*		4
11	40044616	TYPE LABEL A		*		1
12	CM600100101	WEEE MARK LABEL S	TYPE CE	*		1
13	CM600100201	WEEE INFORMATION SHEET				1
14	SS6111210SP	SCREW 11/64-40 L=12				2
15	SS4121215SP	SCREW 3/16-28 L=12				2
16	SM4051255SP	SCREW M5 L=12				2
17	WP0501016SD	WASHER 5X10.5X1				4
18	B1144771000	FRAME SIDE COVER GASKET (C)				4
19	KX000000280	BEAD BAND				1

REACTOR BOX 1P (FOR CE)



REACTOR BOX 1P (FOR CE)

No.	Parts No.	Parts name	Remarks	Level	Cons	Qty
1	40161412	REACTOR BOX ASSY 1P				1
2	40161413	REACTOR_BOX_COVER_A_ASSY		*		1
3	40161414	REACTOR BOX BASE		*		1
4	SL4040881SC	SCREW M4 L=8		*		4
5	40161421	REACTOR PCB ASSY 1P		*		1
6	SL4040881SC	SCREW M4 L=8		*		6
7	HX00150000B	CABLE CLAMP		*		2
8	SL4040881SC	SCREW M4 L=8		*		2
9	SL4040881SC	SCREW M4 L=8		*		2
10	M1013110000	CORD BUSH A		*		2
11	CM300100003	VOLTAGE WARNING LABEL (25)		*		1
12	CM300400602	VOLTAGE CAUTION LABEL L=25		*		1

HOW TO MAKE USE OF THIS PARTS LIST

1.As to "#01" and "#02" refer to the "Note" given at the bottom of the respective pages.

2.Codes on the "Qty" column

- Each numeral indicates the number of parts required.
- "0.1" and "2.5" indicate the length (in meters) of the respective parts.

3.Parentheses mean that the corresponding part is a subpart that constructs an assembly part.

4.Dotted lines on the Figures indicate assembly parts.

1. リストページの# 0 1、# 0 2の印は、ページ下の"注記"の説明を参照下さい。
2. 数量欄の数字は、個数を表し、0. 1、2. 5等の数値は、長さ（単位メートル）を表します。
3. 数量欄の（ ）は、組部品を構成している子部品であることを意味します。
4. イラストページの-----枠は、組構成であることを意味します。

NUMERICAL INDEX OF PARTS

PART NO	PAGE	REF NO.	PART NO	PAGE	REF NO.	PART NO	PAGE	REF NO.
40006202	2	25	40093423	4	67	SL4031081SC	4	54·89
40006207	2	26	40093424	4	45	SL4031291SC	6	54·89
40006208	2	27	40094259	4	65	SL4040681SC	2	34
40006212	2	29	40094260	4	66	SL4040881SC	4	55
40042130	2	22	40094262	4	64	SL4040881SC	10	9
40042133	2	24	40094306	2	1~8·86	SL4041081SC	2	62
40044616	8	11	40094307	2	1~8·86	SL4041081SC	4	62
40049385	4	77·78·85	40094308	2	1~8·86	SL4041091SC	2	68
40049426	2	28	40094309	2	1~8·86	SL4041091SC	4	68
40087107	2	1~8·86	40099351	6	11~ 13·88	SL4041491SC	4	58
40087114	2	1~8·86	40099980	4	1~8·86	SL4041681SC	2	37
40087115	2	1~8·86	40103079	4	46·63	SL4051291SC	4	76
40087119	2	9·87	40161412	10	1	SL6041292TN	2	33
40087129	2	11~ 13·88	40161413	10	2	SM4051001SC	2	71
40087139	4	46·63	40161414	10	3	SM4051001SC	4	71
40087147	2	11~ 13·88	40161421	10	5	SM4051255SP	8	16
40087153	2	16	40162967	4	9·87	SM8040612TP	2	30
40087154	2	17	B1144771000	8	18	SS4121215SP	8	15
40087155	2	20	CM300100003	4	53	SS6111210SP	8	14
40087156	2	23	CM300100003	10	11	ST4030651SN	8	8
40087157	2	36	CM300100302	4	51	ST9053511SR	2	19
40087159	2	21	CM300100402	4	48	SV4030601SR	2	31
40087165	4	60·61	CM300400602	4	52	SV4030802SN	8	10
40087166	4	60·61	CM300400602	10	12	WP0501016SD	8	17
40087167	2	35	CM600100101	4	50	WP0851846SC	4	75
40087168	4	57	CM600100101	8	12	WS0820002KR	4	72
40088035	2	42	CM600100201	4	82·83			
40088126	8	2	CM600100201	8	13			
40088311	2	14	HX00150000B	10	7			
40088314	4	84	KF000000030	4	80·81			
40088315	2	32	KF000000080	4	80·81			
40088316	4	44	KX000000210	2	69			
40088334	8	1	KX000000210	4	69			
40088347	8	3	KX000000230	2	70			
40088348	8	4	KX000000230	4	70			
40088349	8	5	KX000000280	4	49			
40088350	8	9	KX000000280	8	19			
40088351	8	6	M1013110000	10	10			
40089241	2	11~ 13·88	M6101471CA0	4	77·78·85			
40089409	2	1~8·86	M6102461DAA	4	79			
40089414	4	77·78·85	M8002430000	2	38			
40089563	2	43	MTSHJ100003	4	74			
40091952	4	82·83	NM6080002SC	4	73			
			SL4030881SC	4	59			