

MODEL : AK-141

List No : 1529-04

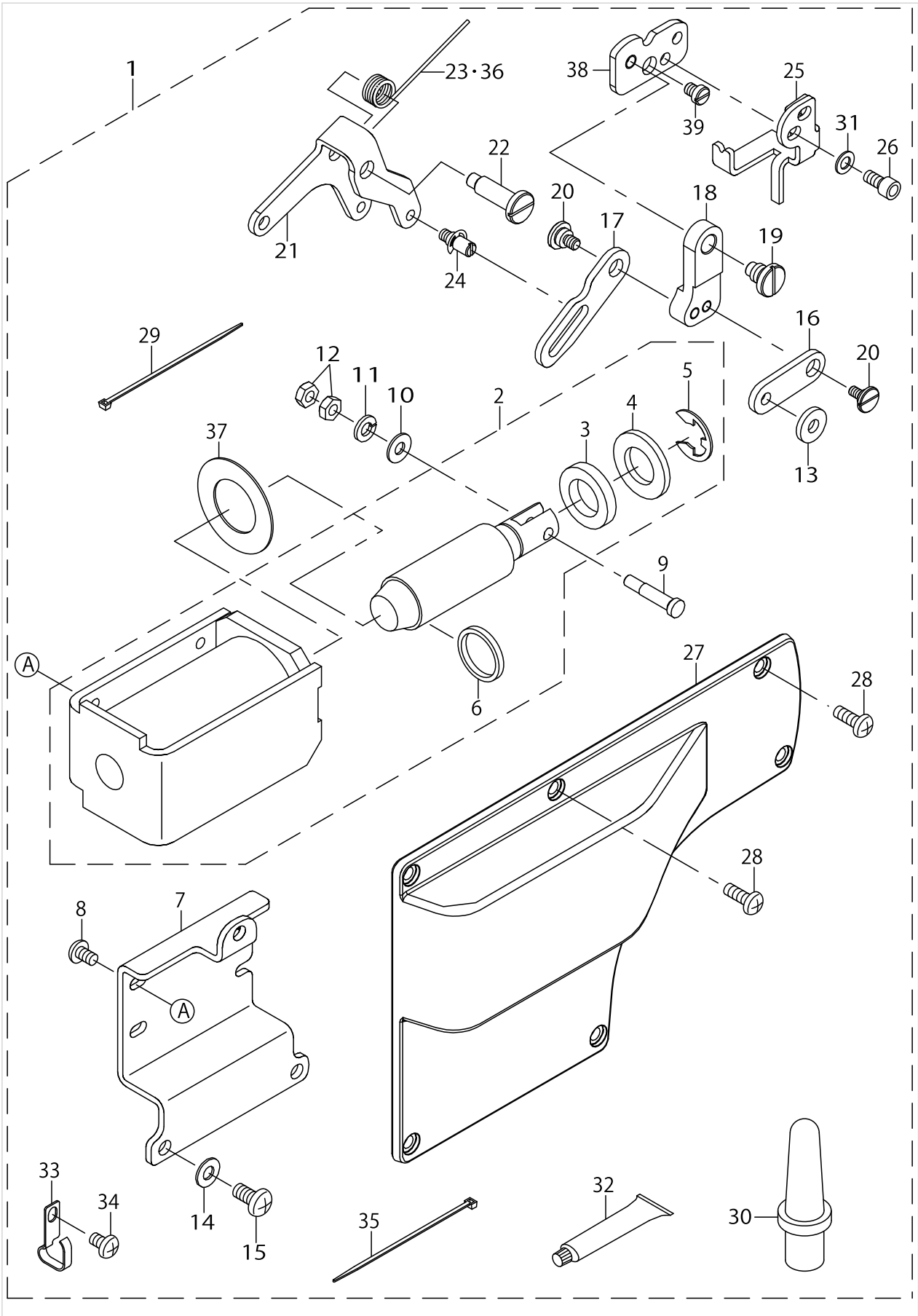
PARTS LIST

Published:09/10/2017

CONTENTS

AK-141 COMPONENTS.....	1
HOW TO MAKE USE OF THIS PARTS LIST	3

AK-141 COMPONENTS



AK-141 COMPONENTS

No.	Parts No.	Parts name	Remarks	Level	Cons	Qty
1	40089370	AK141 COMPONENTS				1
2	40086663	AK_SOLENOID		*		1
3	D2468555B00	RUBBER PLUNGER		*		1
4	40091295	AK SOLENOID WASHER		*		1
5	RE1200000K0	E-RING 12		*		1
6	B1652210D00	GASKET		*		1
7	40086662	AK_SOLENOID_BASE		*		1
8	SM4050855SP	SCREW M5 L=8		*		4
9	40086759	BACK_SOLENOID_PLUNGER_PIN		*		1
10	WP0551016SH	WASHER 5.5X13X1		*		1
11	WS0610002KN	SPRING WASHER 6.1X12.2X1.5		*		1
12	NM6050001SP	NUT M5		*		2
13	WP0612516SD	WASHER 6.1X15.2X2.5		*		1
14	WP0651056SD	WASHER 6.5X11X1		*		3
15	SM4061255SP	SCREW M6 L=12		*		3
16	40086665	SOLENOID_CONNECTING_LINK_PLATE		*		1
17	40086666	KNEE_LIFTER_LINK_PLATE		*		1
18	40142985	KNEE_LIFTER_CONNECTING_LINK		*		1
19	40145614	SHOULDER_SCREW		*		1
20	SD0800327TP	SHOULDER SCREW D=8 H=3.2		*		2
21	40086667	KNEE LIFTER LINK_AK		*		1
22	40082079	SHOULDER SCREW D=8 H=21.2		*		1
23	GAKA1842000	KNEE LIFTER LINK SPRING	TYPE H	*		1
24	GAK330400A0	SHAFT PIN ASM.		*		1
25	40086644	WIRE HOLDER_AK		*		1
26	SM6051002TP	SCREW M5 L=10		*		2
27	40089270	SIDE_PLATE_AK		*		1
28	SM4051455SP	SCREW M5 L=14	FOR CP-18,CP-180 (IP-110F C-AN NOT BE USED. SCREW.)	*		2
29	HX000430000	CLIP		*		1
30	40024081	HEAD SUPPORT ROD		*		1
31	WP0550800SP	WASHER 5.5X10X0.8		*		2
32	40006323	JUKI GREASE A TUBE		*		1
33	40022407	CORD HOLDER		*		1
34	SM4050855SP	SCREW M5 L=8		*		1
35	EA9500B0100	CABLE BAND		*		2
36	40098944	KNEE LIFTER LINK SPRING A	TYPE S/A	*		1
37	40131560	AK PLUNGER WASHER	TYPE S/A	*		1
38	40145613	FITTING BASE		*		1
39	40145940	BASE PLATE STOPPER		*		1

HOW TO MAKE USE OF THIS PARTS LIST

1.As to "#01" and "#02" refer to the "Note" given at the bottom of the respective pages.

2.Codes on the "Qty" column

- Each numeral indicates the number of parts required.
- "0.1" and "2.5" indicate the length (in meters) of the respective parts.

3.Parentheses mean that the corresponding part is a subpart that constructs an assembly part.

4.Dotted lines on the Figures indicate assembly parts.

1. リストページの# 0 1、# 0 2の印は、ページ下の"注記"の説明を参照下さい。
2. 数量欄の数字は、個数を表し、0. 1、2. 5等の数値は、長さ（単位メートル）を表します。
3. 数量欄の（ ）は、組部品を構成している子部品であることを意味します。
4. イラストページの-----枠は、組構成であることを意味します。

NUMERICAL INDEX OF PARTS

PART NO	PAGE	REF NO.
40006323	2	32
40022407	2	33
40024081	2	30
40082079	2	22
40086644	2	25
40086662	2	7
40086663	2	2
40086665	2	16
40086666	2	17
40086667	2	21
40086759	2	9
40089270	2	27
40089370	2	1
40091295	2	4
40098944	2	23-36
40131560	2	37
40142985	2	18
40145613	2	38
40145614	2	19
40145940	2	39
B1652210D00	2	6
D2468555B00	2	3
EA9500B0100	2	35
GAK330400A0	2	24
GAKA1842000	2	23-36
HX000430000	2	29
NM6050001SP	2	12
RE1200000K0	2	5
SD0800327TP	2	20
SM4050855SP	2	34
SM4051455SP	2	28
SM4061255SP	2	15
SM6051002TP	2	26
WP0550800SP	2	31
WP0551016SH	2	10
WP0612516SD	2	13
WP0651056SD	2	14
WS0610002KN	2	11