

MODEL : AE-200A

List No : 1527-01

# PARTS LIST

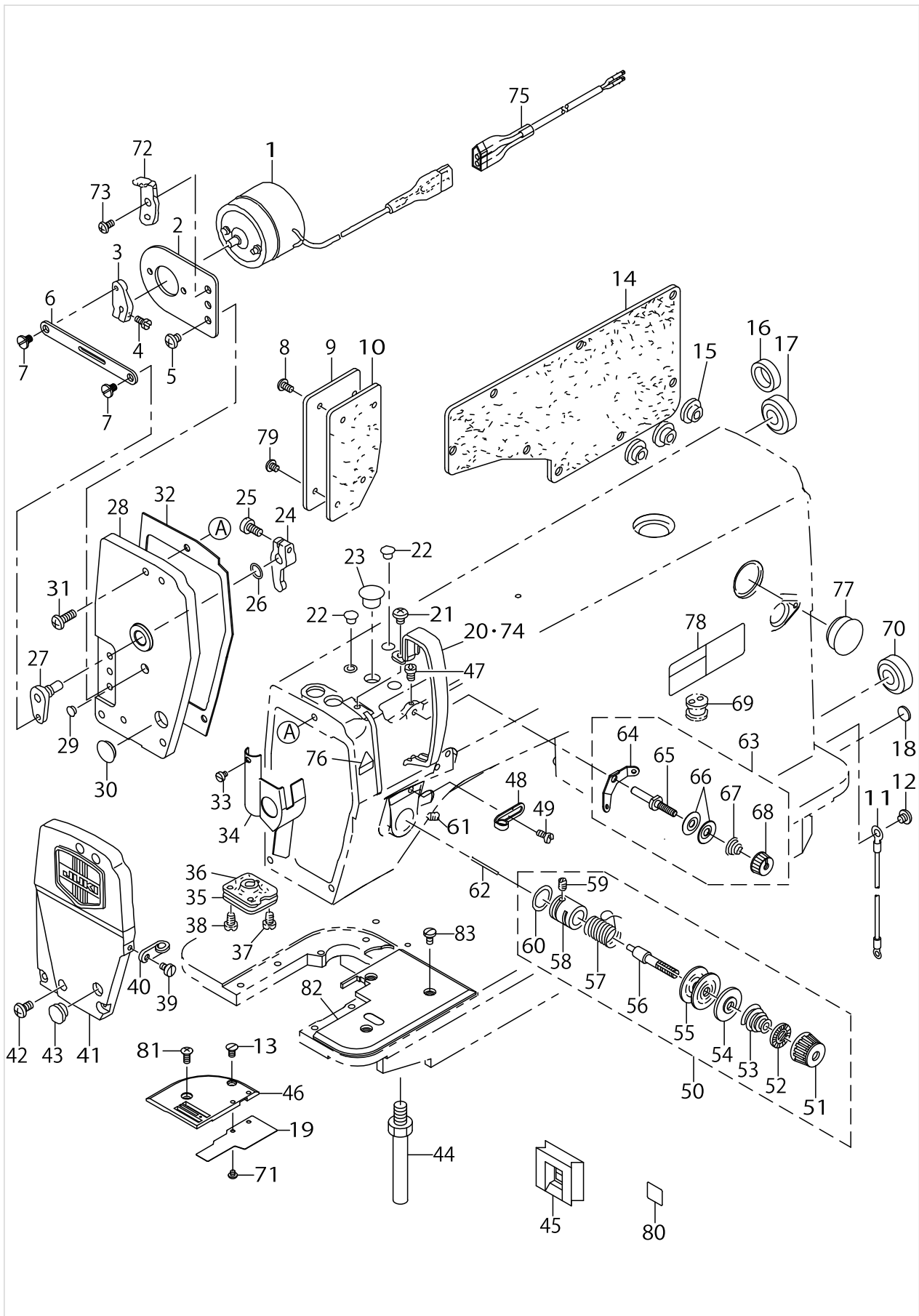
Published:09/10/2017

## CONTENTS

---

MACHINE FRAME & MISCELLANEOUS COVER COMPONENTS .....	1
MAIN SHAFT & THREAD TAKE-UP LEVER COMPONENTS .....	5
NEEDLE BAR, UPRIGHT SHAFT & HOOK DRIVING SHAFT COMPONENTS .....	9
HAND LIFTER COMPONENTS .....	11
FEED MECHANISM COMPONENTS.....	15
TOP FEED MECHANISM COMPONENTS.....	19
TOP FEED MECHANISM & MOTOR COMPONENTS .....	23
THREAD TRIMMER COMPONENTS .....	27
AUTOMATIC REVERSE FEED COMPONENTS.....	31
OIL LUBRICATION COMPONENTS .....	33
MECHANISM & MISCELLANEOUS COVER COMPONENTS.....	35
MAIN SEWING TABLE COMPONENTS.....	39
BOBBIN WINDER UNIT .....	41
UPPER MANIPULATOR COMPONENTS .....	43
LOWER MANIPULATOR COMPONENTS.....	49
AUTOMATIC PRESSER LIFTER COMPONENTS.....	53
AIR COMPONENTS .....	55
CONTROL BOX COMPONENTS .....	57
OPERATION PANEL COMPONENTS .....	61
WIRING DIAGRAM .....	63
ACCESSORIE PART COMPONENTS .....	67
PIN TUCK COMPONENTS .....	71
BOBBIN THREAD REMAINING AMOUNT DETECTING COMPONENTS .....	73
STACKER COMPONENTS (1).....	77
STACKER COMPONENTS (2).....	81
CLOTH TABLE COMPONENTS.....	85
BOBBIN WINDER & PEDAL COMPONENTS .....	87
CLOTH GUIDE & SENSOR COMPONENTS.....	89
LIST FOR INFORMATION OF CHANGE.....	91
HOW TO MAKE USE OF THIS PARTS LIST .....	92

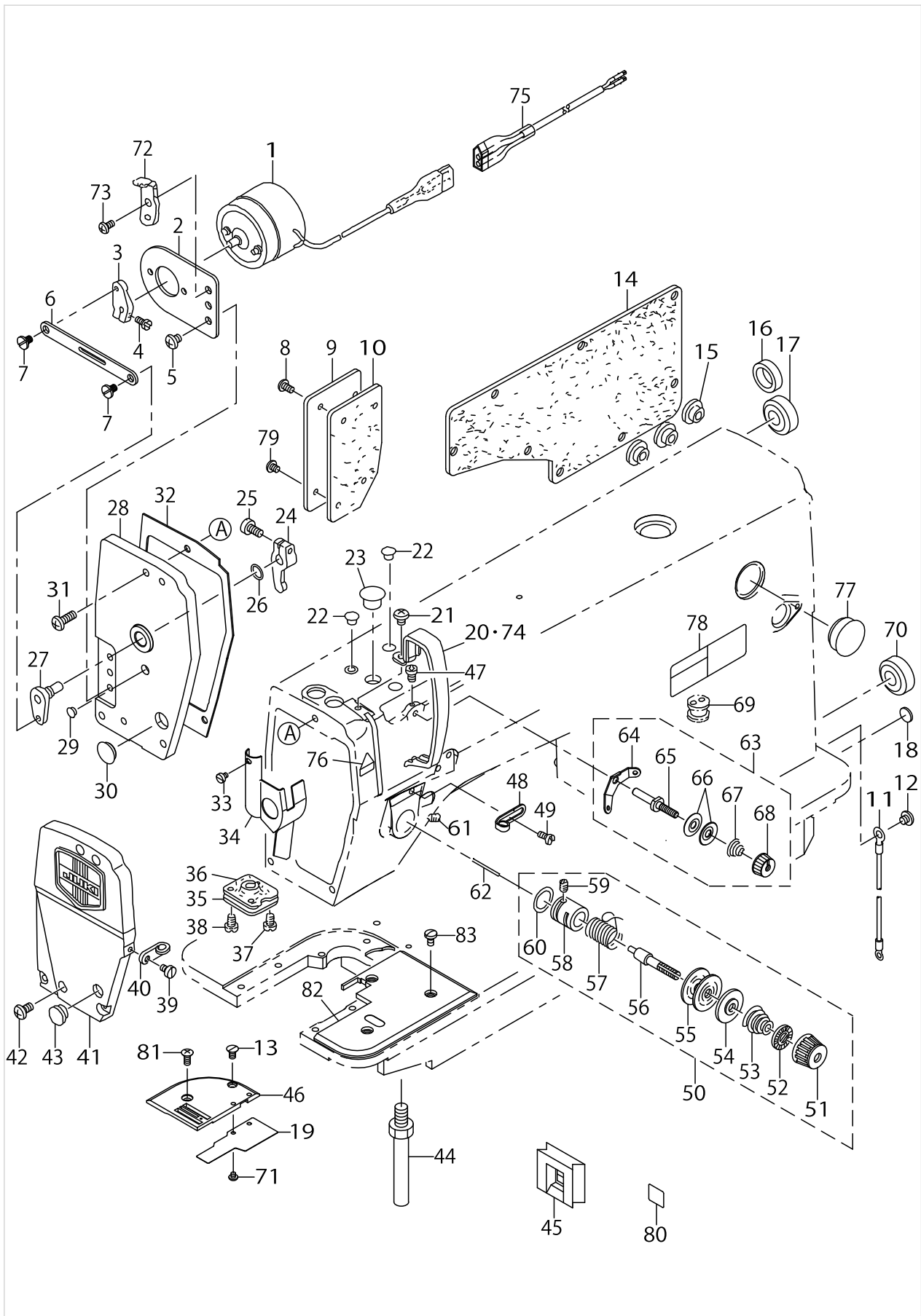
MACHINE FRAME & MISCELLANEOUS COVER COMPONENTS



MACHINE FRAME & MISCELLANEOUS COVER COMPONENTS

No.	Parts No.	Parts name	Remarks	Level	Cons	Qty
1	11281656	SOLENOID ASM.				1
2	11275807	SOLENOID BASE				1
3	11275708	SOLENOID ARM				1
4	SS6111040SP	SCREW 11/64-40 L=9.5				1
5	SS4120615SP	SCREW 3/16-28 L=6				1
6	11275609	SOLENOID LINK				1
7	SD0550212TP	HINGE SCREW D=5.5 H=2.1				2
8	SS4120915SP	SCREW 3/16-28 L=9				3
9	11255809	SIDE COVER				1
10	11200607	GASKET				1
11	40090869	EARTH CORD ASSY				1
12	SS4120615SP	SCREW 3/16-28 L=6				1
13	SS1110710SP	SCREW 11/64-40 L=7				1
14	11003308	GASKET				1
15	TA1470704R0	RUBBER PLUG				3
16	TA1470702R0	RUBBER PLUG				1
17	TA2101002R0	RUBBER PLUG				1
18	22901805	GROUND MARK				1
19	40098821	THROAT_PLATE_COVER				1
20	22900609	THREAD TAKE-UP LEVER COVER				1
21	SS4120615SP	SCREW 3/16-28 L=6				1
22	TA0850604R0	RUBBER PLUG				2
23	TA1250705R0	RUBBER PLUG				1
24	11275302	WALKING FOOT ADJUSTING ARM				1
25	SS6121010SP	SCREW 3/16-28 L=10				1
26	RO069180100	RUBBER RING				1
27	11275450	WALKING FOOT ARM SHAFT ASM.				1
28	11280351	FACE PLATE BASE ASM.				1
29	TA0750404R0	PLUG D=7.5 L=3.5				1
30	TA1250406R0	RUBBER PLUG D=12.5 L=4				1
31	SS4121415SP	SCREW 3/16-28 L=14				3
32	11200201	GASKET				1
33	SS6080410SP	SCREW 1/8-44 L=4				1
34	22900757	FACE PLATE OIL SHIELD ASM.				1
35	11200300	PRESSER BAR SUPPORT				1
36	11200409	GASKET				1
37	11200805	PRESSER BAR SUPPORT SCREW B				1
38	SS1120710SP	SCREW 3/16-28 L=6.5				2
39	SS6110610TP	SCREW 11/64-40 L=6				1
40	11331402	ARM THREAD GUIDE, B				1
41	11280252	FACE PLATE ASM.				1
42	SS4120915SP	SCREW 3/16-28 L=9				2
43	TA1250406R0	RUBBER PLUG D=12.5 L=4				1
44	22901003	BED SCREW STUD				4
45	22935407	BED OIL SHIELD RUBBER				1
46	40098870	THROAT_PLATE_B(THICK_USE)				1
47	SS4120615SP	SCREW 3/16-28 L=6				1

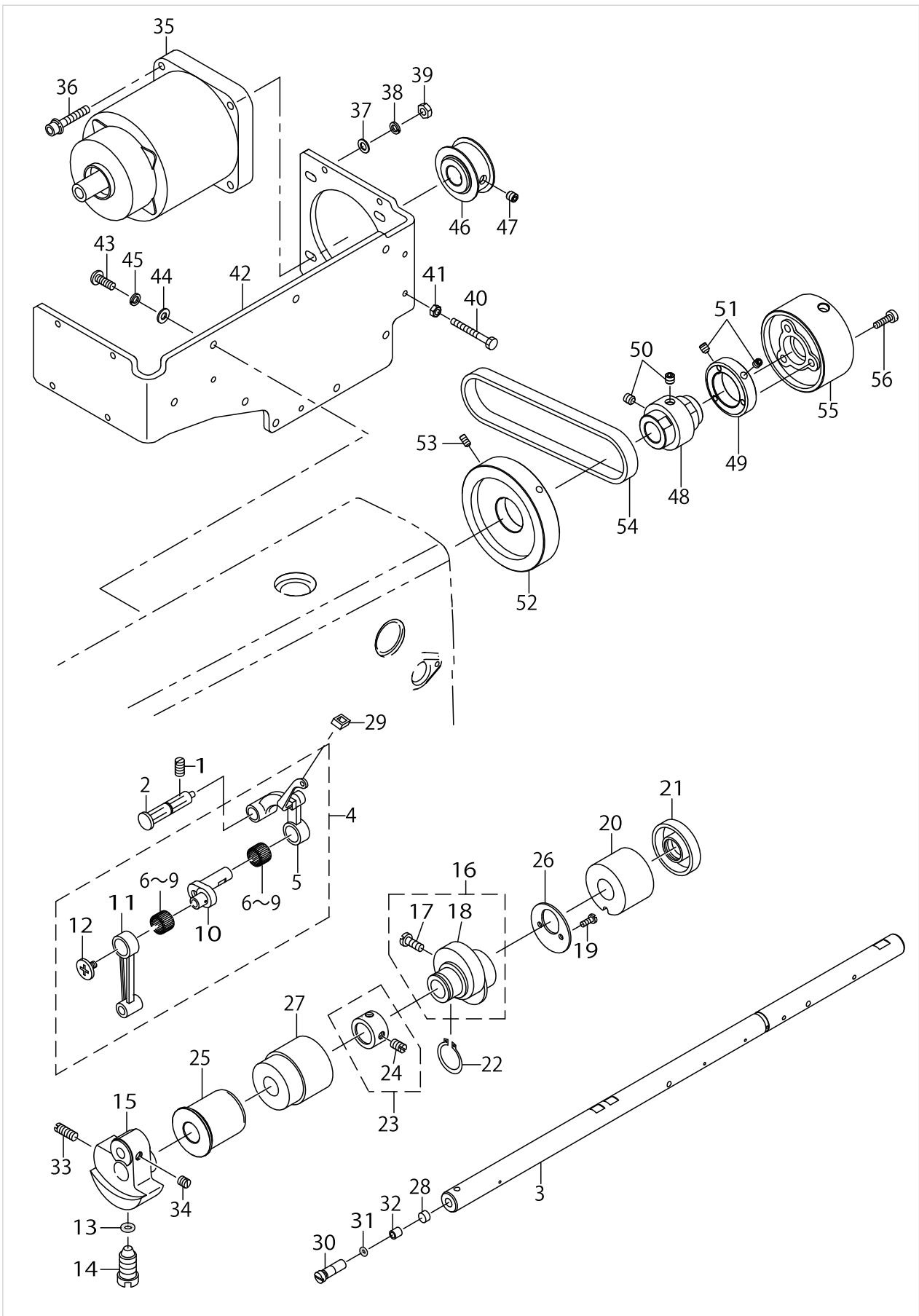
MACHINE FRAME & MISCELLANEOUS COVER COMPONENTS



MACHINE FRAME & MISCELLANEOUS COVER COMPONENTS

No.	Parts No.	Parts name	Remarks	Level	Cons	Qty
48	22920508	ARM THREAD GUIDE A				1
49	22921001	SCREW				1
50	11257359	THREAD TENSION ASM.				1
51	22921308	THREAD TENSION NUT		*		1
52	22921407	ROTATION STOPPER		*		1
53	22921704	THREAD TENSION SPRING, A		*		1
54	22921803	DISK STOPPER		*		1
55	22921506	THREAD TENSION DISK		*		2
56	22921209	THREAD TENSION POST		*		1
57	22921605	THREAD TAKE-UP SPRING		*	☆	1
58	11220209	TENSION POST SOCKET		*		1
59	SS8090410SP	SCREW 9/64-40 L=3.5		*		1
60	RO133170100	RUBBER RING		*		1
61	SS8150822TP	SCREW 15/64-28 L=8				1
62	B3118552C00	TENSION RELEASE PIN C				1
63	22945463	THREAD TENSION ASM. ,NO.1				1
64	22945414	THREAD TENSION POST		*		1
65	22945604	THREAD TENSION GUIDE		*		1
66	22945802	THREAD TENSION DISK		*		2
67	22945505	THREAD TENSION SPRING		*		1
68	22945703	THREAD TENSION NUT		*		1
69	11100104	MAGNET CORD RUBBER				1
70	TA2101002R0	RUBBER PLUG				1
71	SS4060310SP	SCREW 3/32-56 L=2.5				2
72	11276102	SOLENOID LINK STOPPER				1
73	SS4120915SP	SCREW 3/16-28 L=9				2
74	11415205	THREAD TAKE-UP LEVER COVER(JE)	FOR JE			1
75	11281755	SOLENOID CABLE ASM.				1
76	CM300200001	ATTENTION SEAL				1
77	TA2351004R0	RUBBER PLUG				1
78	CM301300001	SAFETY LABEL				1
79	SS4120615SP	SCREW 3/16-28 L=6				1
80	CM600100101	WEEE MARK LABEL S	FOR JE			1
81	SS2110915SP	SCREW 11/64-40 L=8.5				1
82	40098869	BED_UPPER_PLATE				1
83	SS7110710SP	SCREW 11/64-40 L=7				3

MAIN SHAFT & THREAD TAKE-UP LEVER COMPONENTS

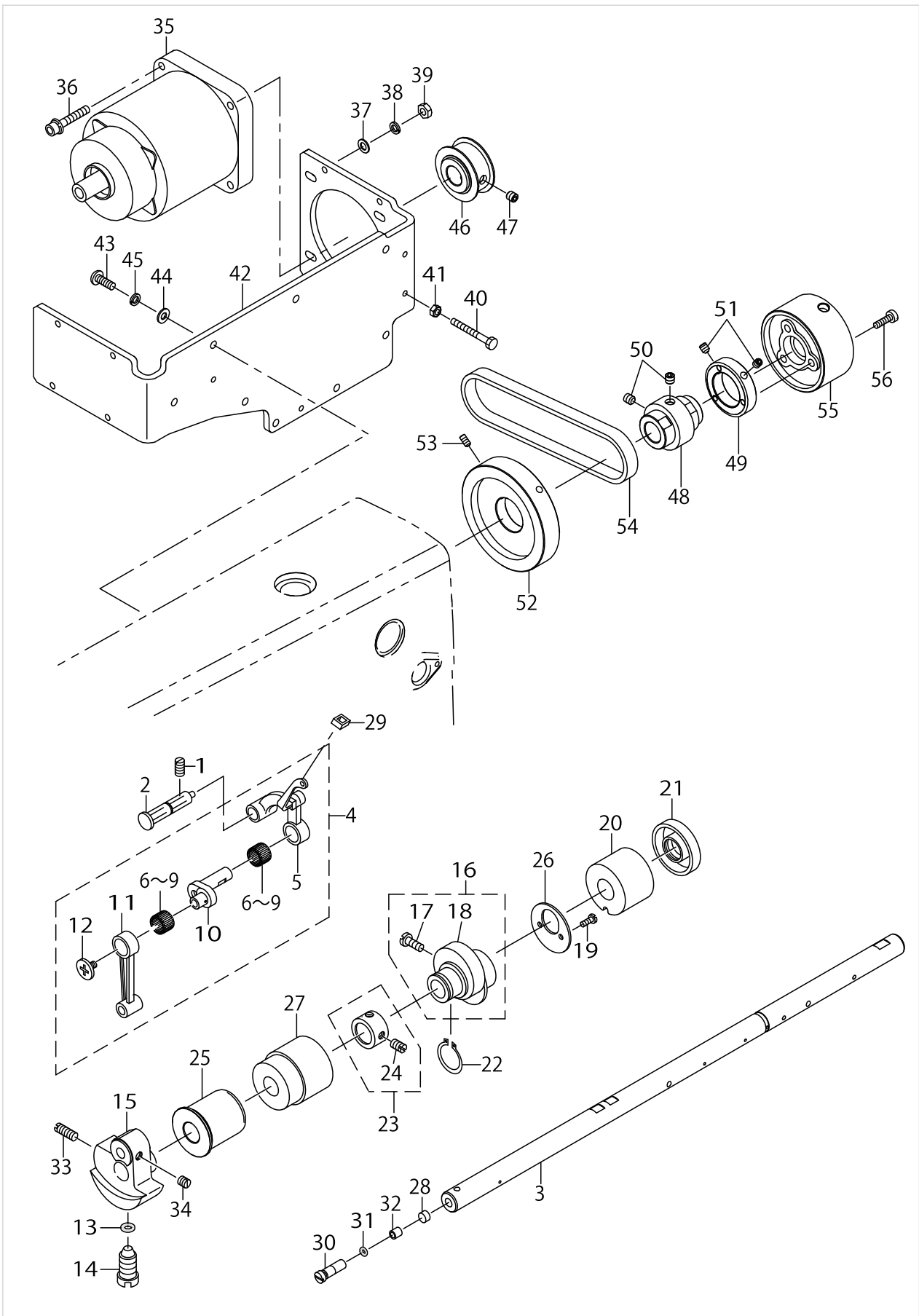


MAIN SHAFT & THREAD TAKE-UP LEVER COMPONENTS

No.	Parts No.	Parts name	Remarks	Level	Cons	Qty
1	SS8151150SP	SCREW 15/64-28 L=10.5				1
2	22919559	THREAD TAKE-UP CRANK SHAFT ASM				1
3	11202009	MAIN SHAFT				1
4	11039070	THREAD TAKE-UP LEVER ASM.			☆	1
5	11039062	THREAD TAKE-UP LEVER ASM.		*		1
6	B1905541A00	NEEDLE BEARING, A	SELECTIVE PART	*		2
7	B1905541B00	NEEDLE BEARING	SELECTIVE PART	*		2
8	B1905541C00	NEEDLE BEARING	SELECTIVE PART	*		2
9	B1905541D00	NEEDLE BEARING	SELECTIVE PART	*		2
10	11005204	NEEDLE BAR CRANK		*		1
11	B1408552000	NEEDLE BAR CRANK ROD		*		1
12	B1903552000	LEFT SCREW		*		1
13	RO044240100	RUBBER RING				1
14	SS7681650TP	SCREW 9/32-28 L=16				1
15	11202173	COUNTERWEIGHT ASM.				1
16	22910053	FEED DRIVE ECCENTRIC CAM ASM.				1
17	SS6661110SP	SCREW 1/4-40 L=11		*		2
18	22910004	FEED DRIVE ECCENTRIC CAM		*		1
19	SS4090615SP	SCREW 9/64-40 L=6				2
20	11002409	MAIN SHAFT BUSHING, REAR				1
21	11002508	OIL SEAL				1
22	RC1850001KP	SNAP RING 18.5				1
23	22904155	MAIN SHAFT THRUST COLLAR ASM.				1
24	SS8660610TP	SCREW 1/4-40 L=6		*		2
25	11202207	MAIN SHAFT BUSHING, FRONT				1
26	22910103	THRUST COLLAR				1
27	11202306	BUSHING, INTERMEDIATE				1
28	B1226552000	ROLLER FELT				1
29	22919203	OIL PROTECTING RUBBER				1
30	B1213552000A	OIL ADJUSTING PIN				1
31	RO029180100	RUBBER RING				1
32	B1215552000	OIL ADJUSTING COLLAR				1
33	SS8681650TP	SCREW 9/32-28 L=16				1
34	SS8660610TP	SCREW 1/4-40 L=6				2
35	40050265	AC_SERVO_MOTOR				1
36	SL6053092TN	SCREW				4
37	WP0531000SD	WASHER M5				4
38	WS0510002KP	SPRING WASHER 5.1X9.2X1.3				4
39	NM6050001SP	NUT M5				4
40	SM9043553TN	SCREW M4 L=35				2
41	NM6040001SP	NUT M4X0.7				2
42	40088033	MOTOR_BASE_PLATE				1
43	SS4121415SP	SCREW 3/16-28 L=14				8
44	WP0501016SD	WASHER 5X10.5X1				8
45	WS0510002KP	SPRING WASHER 5.1X9.2X1.3				8
46	40088138	MOTOR_SHAFT_PULLEY				1
47	SM8060612TP	SCREW M6 L=6				2



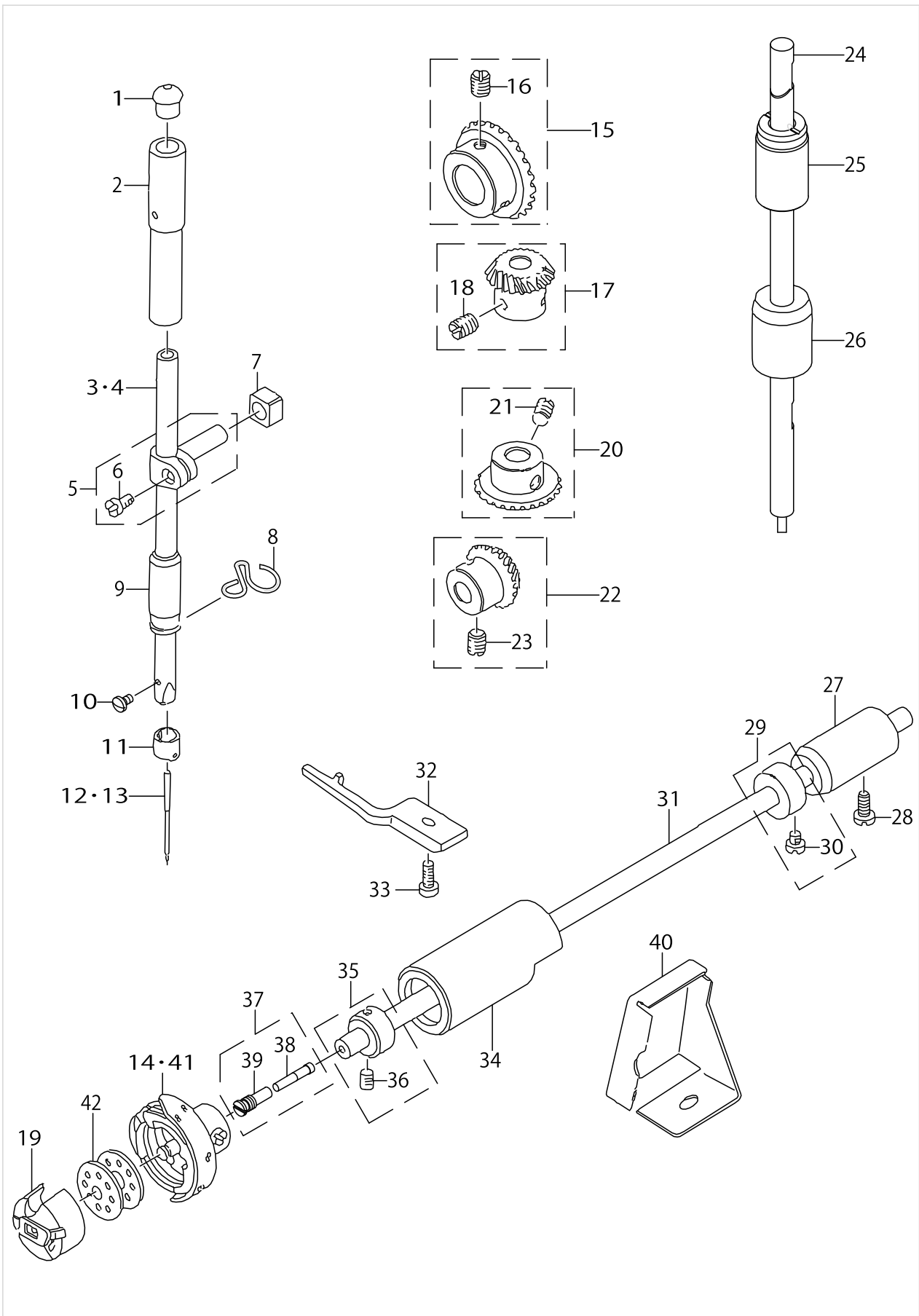
MAIN SHAFT & THREAD TAKE-UP LEVER COMPONENTS



MAIN SHAFT & THREAD TAKE-UP LEVER COMPONENTS

No.	Parts No.	Parts name	Remarks	Level	Cons	Qty
48	40088139	MAIN_SHAFT_PULLEY				1
49	40088140	FLYING WHEEL COLLAR				1
50	SM8060612TP	SCREW M6 L=6				2
51	SM8050612TP	SCREW M5X6				2
52	40088141	FLANGE				1
53	SM8040802TP	SCREW M4X8				2
54	40088142	TIMING_BELT				1
55	40088143	HAND_WHEEL				1
56	SM6041410SC	SCREW M4X0.7 L=14				3

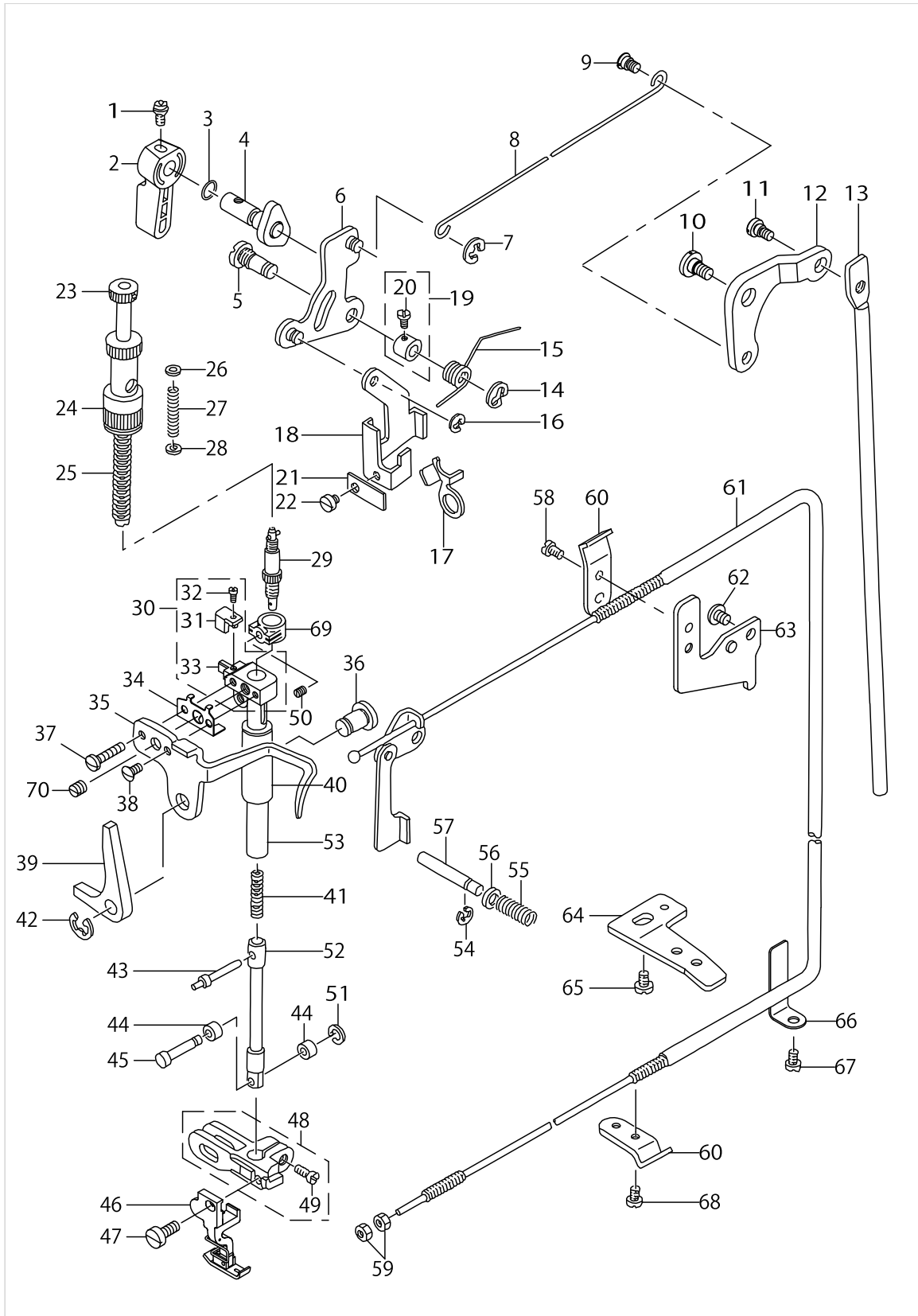
NEEDLE BAR, UPRIGHT SHAFT & HOOK DRIVING SHAFT COMPONENTS



NEEDLE BAR, UPRIGHT SHAFT & HOOK DRIVING SHAFT COMPONENTS

No.	Parts No.	Parts name	Remarks	Level	Cons	Qty
1	22901409	NEEDLE BAR UPPER BUSH CAP				1
2	22906101	NEEDLE BAR BUSHING, UPPER				1
3	B1401522A00A	NEEDLE BAR (A)				1
4	B1401522B00A	NEEDLE BAR(B)	FOR JE			1
5	22906457	NEEDLE BAR HOLDER ASM.				1
6	SS6090670TP	SCREW 9/64-40 L=6		*		1
7	B1414555000	SLIDE BLOCK				1
8	22920805	NEEDLE BAR THREAD GUIDE				1
9	22906200	NEEDLE BAR BUSHING, LOWER				1
10	SS7080510TP	SCREW 1/8-44 L=4.5				1
11	11331204	NEEDLE BAR THREAD GUIDE				1
12	MDB100B1100	NEEDLE DBX1 #11			☆	1
13	MC200500750	NEEDLE 134 75	FOR JE		☆	1
14	11141355	HOOK ASM.	FOR JE		☆	1
15	B13050120A0	GEAR ASM.				1
16	SS8660810TP	SCREW 1/4-40 L=8		*		2
17	B13061550A0	PINION ASM.				1
18	SS8660810TP	SCREW 1/4-40 L=8		*		2
19	11038759	BOBBIN CASE ASM.			☆	1
20	B13071550A0	GEAR ASM. LARGE				1
21	SS8660810TP	SCREW 1/4-40 L=8		*		2
22	B13081550A0	PINION ASM.				1
23	SS8660810TP	SCREW 1/4-40 L=8		*		2
24	22905004	UPRIGHT SHAFT				1
25	11203106	BUSHING, UPPER				1
26	11004207	UPRIGHT SHAFT BUSHING, LOWER				1
27	22916308	HOOK DRIVING SHAFT BUSH, REAR				1
28	SS4120915SP	SCREW 3/16-28 L=9				1
29	CS0791016SH	THRUST HOLDER D=7.94 W=10				1
30	SS6110420TP	SCREW 11/64-40 L=4.8		*		2
31	22916001	HOOK DRIVING SHAFT				1
32	11038809	BOBBIN CASE HOLDER				1
33	SS4110915TP	SCREW 11/64-40 L=9				1
34	22916100	HOOK DRIVING SHAFT BUSH, FRONT				1
35	CS0790731SH	THRUST COLLAR				1
36	SS8110410TP	SCREW 11/64-40 L=3.5		*		2
37	22916555	OIL SEAL SCREW ASM.				1
38	11015906	OIL WICK		*		1
39	B1808552000	OIL SEAL SCREW		*		1
40	22942601	OIL SHIELD				1
41	11038650	HOOK ASM.			☆	1
42	22932909	BOBBIN			☆	1

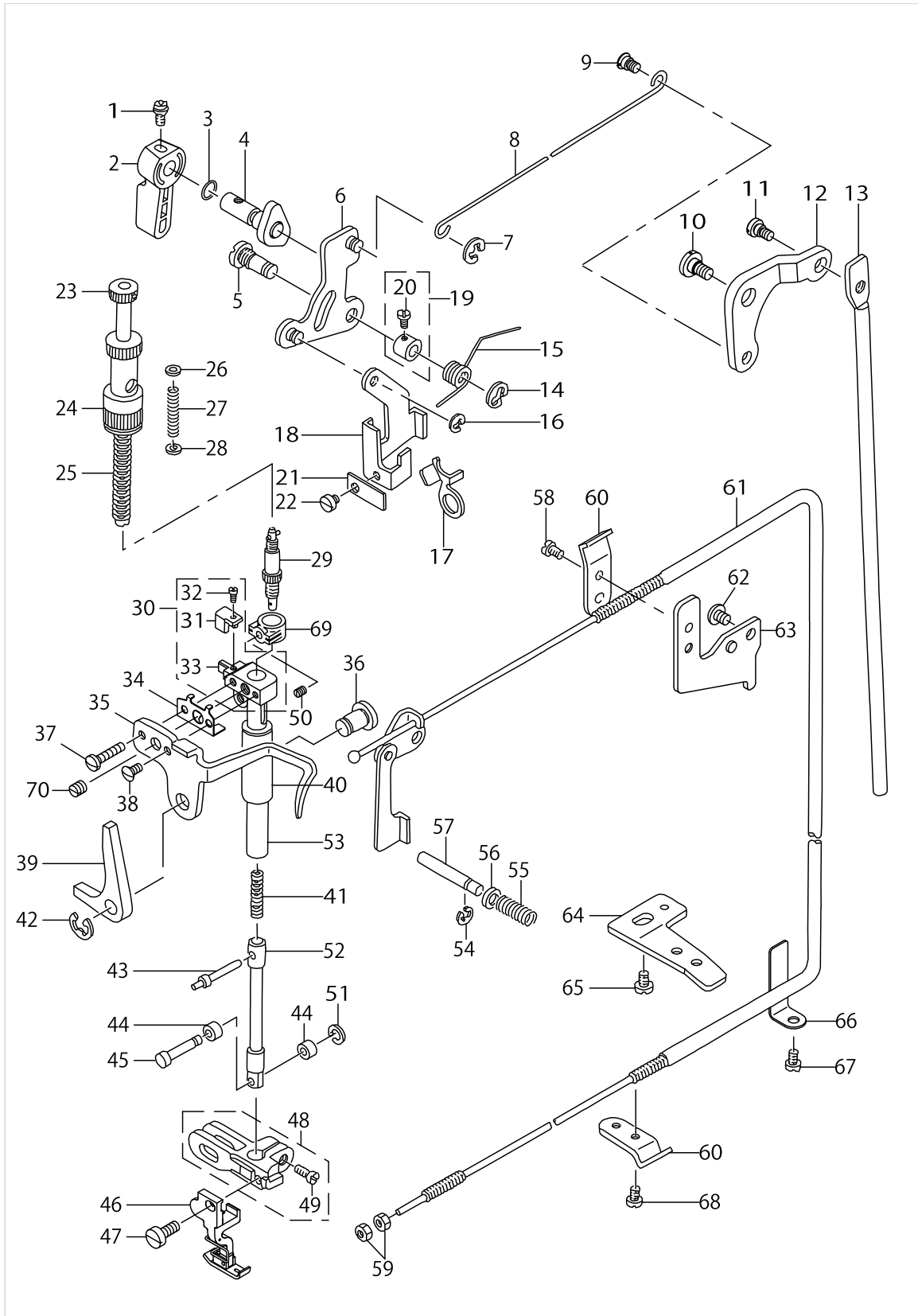
HAND LIFTER COMPONENTS



HAND LIFTER COMPONENTS

No.	Parts No.	Parts name	Remarks	Level	Cons	Qty
1	B1521555000	SCREW				1
2	22907802	HAND LIFTER				1
3	RO037180100	RUBBER RING				1
4	22908552	HAND LIFTER CAM ASM.				1
5	11205218	LIFTING LEVER LINK SHAFT				1
6	11006350	HAND LIFTER LINK				1
7	RE0500000K0	E-RING				1
8	22908305	KNEE LIFTER SIDE ROD				1
9	22908909	HINGE SCREW				1
10	SD0720331SP	HINGE SCREW D=7.24 H=3.3				1
11	SD0600322SD	HINGE SCREW D=6 H=3.2				1
12	11205309	LIFTING LEVER LINK				1
13	11205408	CONNECTING ROD				1
14	RE0500000K0	E-RING				1
15	11230802	SPRING				1
16	RE0500000K0	E-RING				1
17	11220100	TENSION RELEASE PLATE				1
18	11271004	LIFTING LEVER				1
19	CS0640611SP	THRUST HOLDER				1
20	SS7090620TP	SCREW 9/64-40 L=6.1		*		1
21	11271301	PRESSER PLATE				1
22	SS6110480SP	SCREW 11/64-40 L=4.3				1
23	11204559	PRESSER SPRING REGULATOR ASM.				1
24	11204609	NUT				1
25	22907406	PRESSER SPRING				1
26	WP0650816SP	WASHER				1
27	11205002	GUIDE BAR SPRING				1
28	WP0661016SP	WASHER				1
29	11217353	CAP ASM.				1
30	11204161	PRESSER ROD HOLDER ASM.				1
31	11204211	BRACKET GUIDE		*		1
32	SS4080620TP	SCREW 1/8-44 L=6		*		1
33	11204112	PRESSER BAR GUIDE BRACKET		*		1
34	11204302	BRACKET PLATE				1
35	11271103	PRESSER BAR THREAD GUIDE				1
36	11271202	SHAFT PIN				1
37	SS7110910TP	SCREW 11/64-40 L= 8.5				1
38	SS2090810SP	SCREW 9/64-40 L=7.5				1
39	11216801	DRIVING PRESSER ARM				1
40	11204401	BUSHING				1
41	11217601	WALKING FOOT SPRING				1
42	RE0400000K0	E-RING 4				1
43	11275005	DRIVING BAR PIN				1
44	11217213	ROLLER				2
45	11217114	ROLLER SHAFT				1
46	40088257	COMPENSATING_PRESSER_ASM.				1
47	SS6121220TP	SCREW 3/16-28 L=11.5				1

HAND LIFTER COMPONENTS

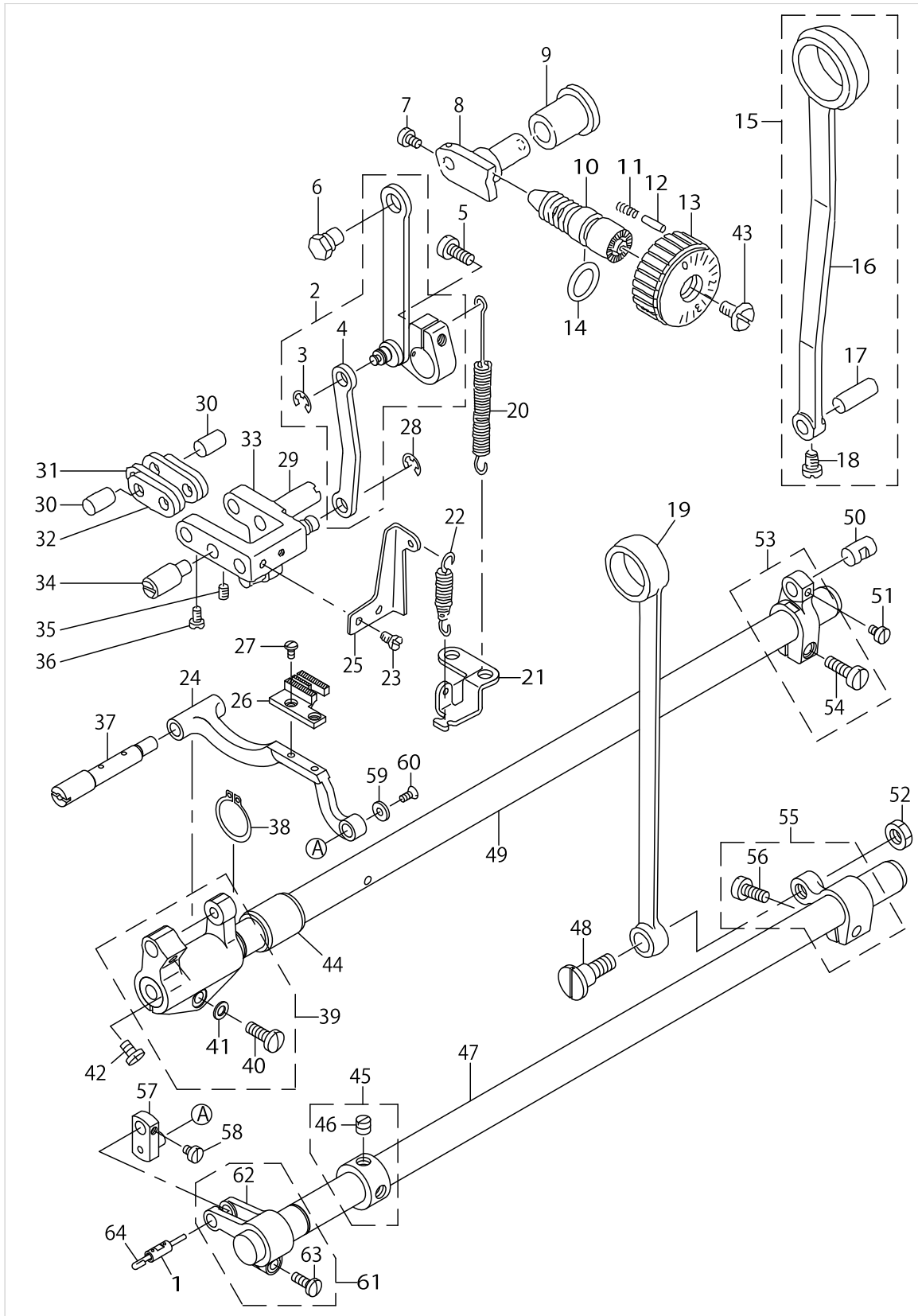


HAND LIFTER COMPONENTS

No.	Parts No.	Parts name	Remarks	Level	Cons	Qty
48	11215258	PRESSER BAR BASE ASM.				1
49	SS6121220TP	SCREW 3/16-28 L=11.5		*		1
50	SS8110422TP	SCREW 11/64-40 L=4				1
51	RC0260415KP	SNAP RING				1
52	11230117	DRIVING BAR				1
53	11204013	PRESSER BAR				1
54	RE0400000K0	E-RING 4				1
55	22920409	THREAD RELEASE PIN SPRING				1
56	11220308	THRUST WASHER				1
57	11220001	PIN				1
58	SS4110515SP	SCREW 11/64-40 L=5				1
59	NS6620310SP	NUT 3/16-32				2
60	22944508	WIRE PRESSER A				2
61	11230562	WIRE TUBE				1
62	SS4120615SP	SCREW 3/16-28 L=6				1
63	22944607	WIRE PRESSER BASE, UPPER				1
64	22962807	WIRE PRESSER BASE B, LOWER				1
65	SS7110740TP	SCREW 11/64-40 L=7				1
66	22945109	WIRE CABLE SUPPORT				1
67	SS4120615SP	SCREW 3/16-28 L=6				1
68	SS4110515SP	SCREW 11/64-40 L=5				1
69	11205507	PRESSER ROD STOPPER				1
70	SS8660610TP	SCREW 1/4-40 L=6				1



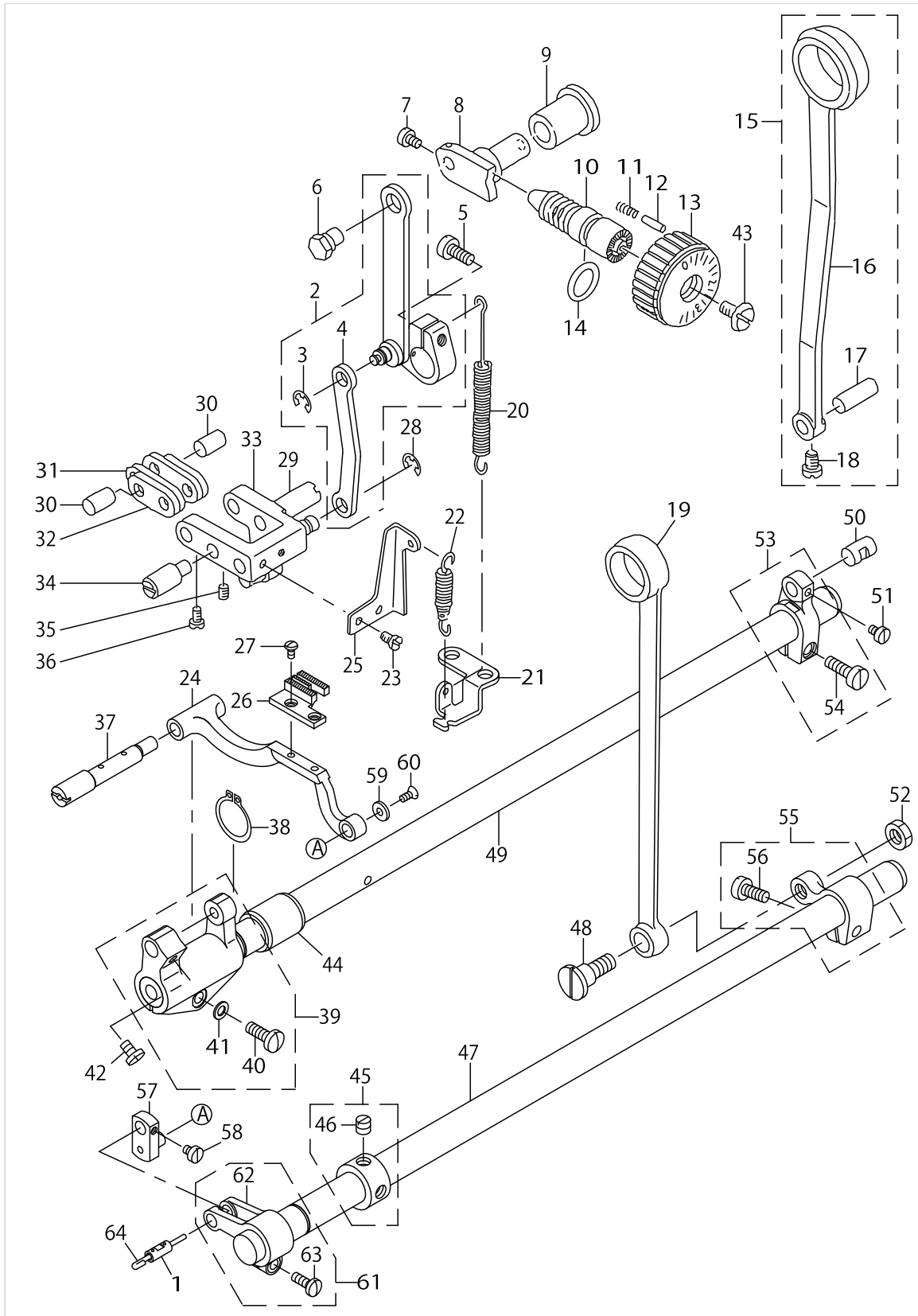
# FEED MECHANISM COMPONENTS



FEED MECHANISM COMPONENTS

No.	Parts No.	Parts name	Remarks	Level	Cons	Qty
1	B170647000B	LINK SHAFT				1
2	11206463	FEED CHANGING ARM ASM.				1
3	RE0500000K0	E-RING		*		1
4	11206208	CONNECTING ROD B		*		1
5	SS6121220TP	SCREW 3/16-28 L=11.5				1
6	11206307	FEED REGULATOR PIN				1
7	SS6090670TP	SCREW 9/64-40 L=6				2
8	11206406	FEED REGULATOR				1
9	11273406	FEED REGULATOR BUSHING				1
10	22911804	FEED REGULATOR SCREW				1
11	22912109	FEED REGULATOR PIN SPRING				1
12	22912000	FEED REGULATOR PIN				1
13	22940506	FEED DIAL				1
14	RO092270200	RUBBER RING				1
15	40080424	CONNECTING ROD ASM.				1
16	11206000	CONNECTING ROD		*		1
17	22911101	WALKING FOOT PIN C		*		1
18	SS6090620TP	SCREW		*		1
19	11014008	CONNECTING ROD				1
20	11010311	FEED REVERSE SPRING				1
21	22962203	FEED SPRING HOOK				1
22	11091204	ADJUST LINK SPRING				1
23	SS4110515SP	SCREW 11/64-40 L=5				2
24	18050401	FEED BAR				1
25	22941306	REGULATOR LINK SPRING HOOK				1
26	22881403	FEED DOG B				1
27	SS4080620TP	SCREW 1/8-44 L=6				2
28	RE0500000K0	E-RING				1
29	40010395	ADJUSTING LINK FULCRUM SHAFT B				1
30	22910905	WALKING FOOT PIN A				2
31	11008703	WALKING FOOT LINK				2
32	11008604	CONNECTING LINK A				2
33	22940951	FEED ADJUST LINK ASM.				1
34	22910806	ADJUST LINK FULCRUM SHAFT A				1
35	SS8150710TP	SCREW 15/64-28 L=7				1
36	SS6090620TP	SCREW				2
37	22940803	FEED BAR SHAFT				1
38	RC0150001KP	RETAINING RING 13.8				1
39	22940654	FEED ROCKER ASM.				1
40	SS7121410TP	SCREW 3/16-28 L=14		*		1
41	WP0480856SP	WASHER 4.8X8.4X0.8		*		1
42	SS7110740TP	SCREW 11/64-40 L=7				1
43	SS6121860SP	SCREW 3/16-28 L=18				1
44	22913008	FEED ROCKER SHAFT BUSHING				1
45	22904155	MAIN SHAFT THRUST COLLAR ASM.				1
46	SS8660610TP	SCREW 1/4-40 L=6		*		1
47	22915201	FEED DRIVING SHAFT				1

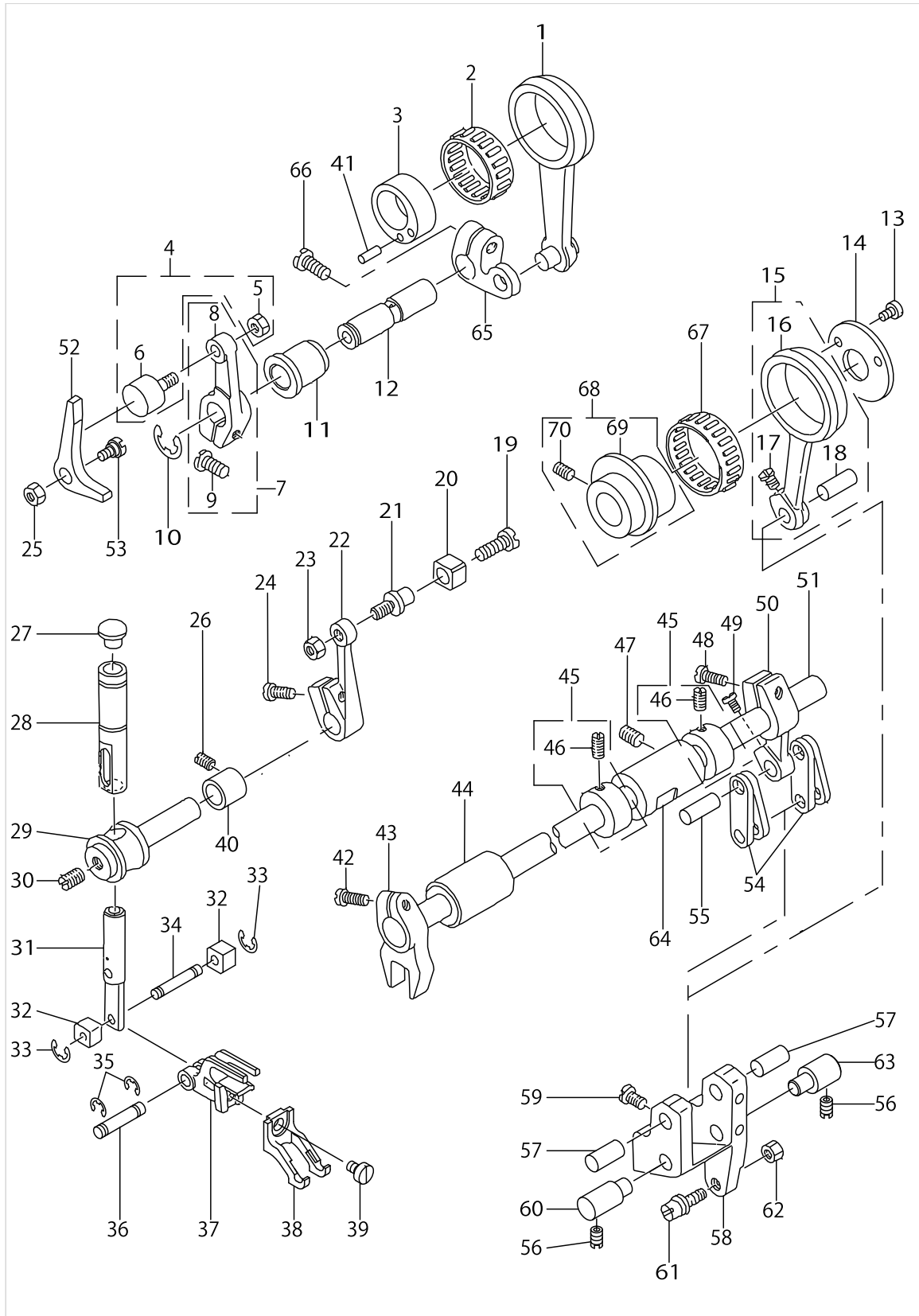
# FEED MECHANISM COMPONENTS



FEED MECHANISM COMPONENTS

No.	Parts No.	Parts name	Remarks	Level	Cons	Qty
48	SD1000801SH	HINGE SCREW D=10 H=8				1
49	22912901	FEED ROCKER SHAFT				1
50	22911002	WALKING FOOT PIN B				1
51	SS6090620TP	SCREW				1
52	NS6680410SP	NUT 9/32-28				1
53	22910350	FEED ROCKER SHAFT CRANK ASM.				1
54	SS6121610SP	SCREW 3/16-28 L=15.5		*		1
55	22915151	FEED ARM COMPL.				1
56	SS6121210SP	SCREW 3/16-28 L=12		*		1
57	B1705470000	FEED BAR LINK				1
58	SS6090510TP	SCREW 9/64-40 L= 5.0				1
59	B1715481000	COUNTER-SUNK WASHER				1
60	SS1080510SP	SCREW 1/8-44 L=5				1
61	40089401	FEED DRIVING ARM ASM.				1
62	B1704470000	FEED DRIVING ARM		*		1
63	SS7111120TP	SCREW		*		1
64	CQ202000000	OIL WICK				0.05

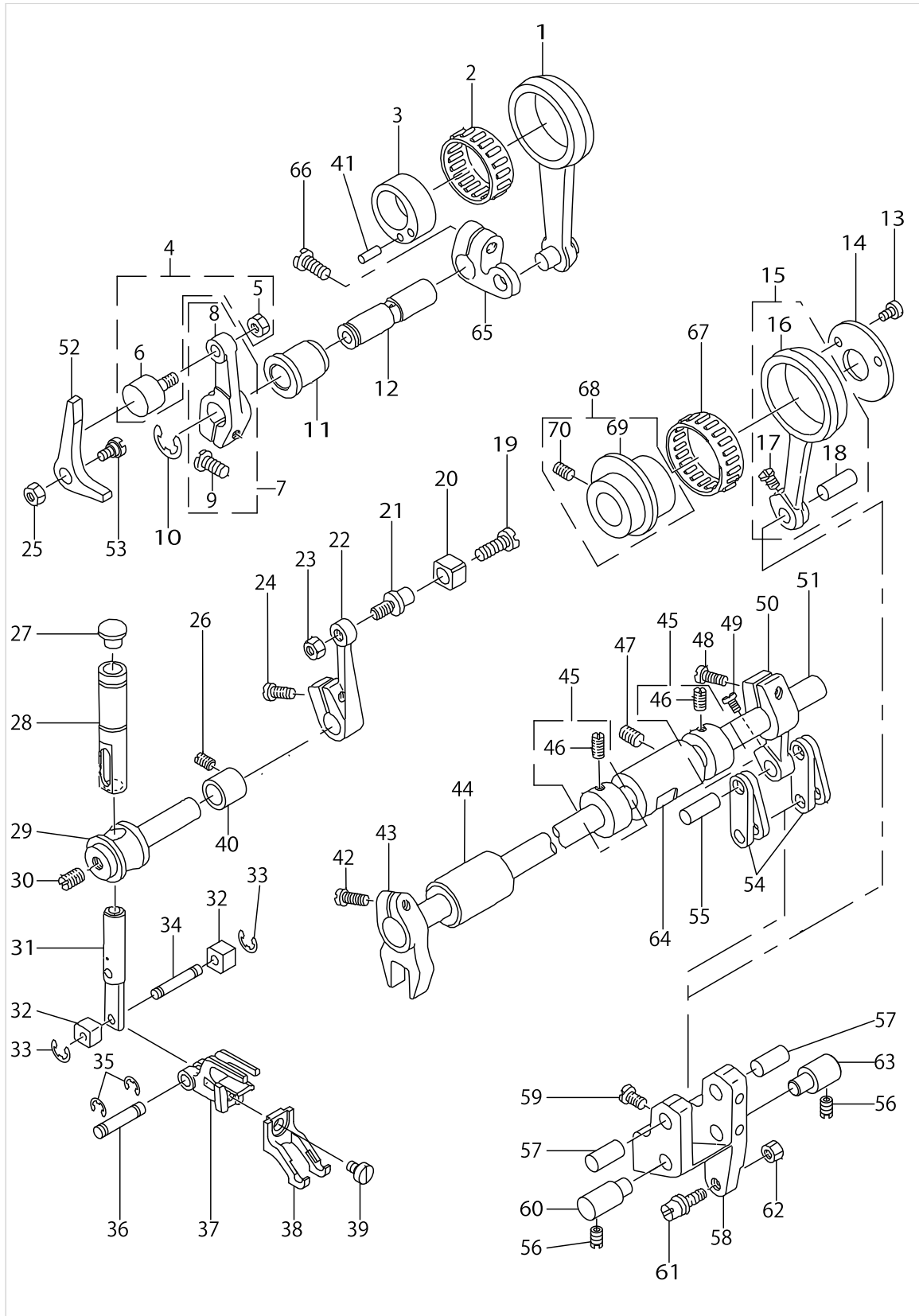
TOP FEED MECHANISM COMPONENTS



TOP FEED MECHANISM COMPONENTS

No.	Parts No.	Parts name	Remarks	Level	Cons	Qty
1	11216157	WALKING FOOT DRIVING ROD ASM.				1
2	B1609804B00	NEEDLE BEARING				1
3	11216009	WALKING FOOT DRIVING CAM				1
4	11216751	DRIVING ROLLER ASM.				1
5	NM6040001SD	NUT M4		*		1
6	11216702	DRIVING ROLLER		*		1
7	11216652	VERTICAL ARM ASM. FRONT				1
8	11216603	DRIVING ARM, FRONT		*		1
9	SS6121250TP	SCREW 3/16-28 L=11.5		*		1
10	RE0700000K0	E-RING 7				1
11	11216504	DRIVING SHAFT BUSHING				1
12	11216405	WALKING FOOT DRIVING SHAFT				1
13	SS6090630TP	SCREW 9/64-40 L=6				2
14	11210119	THRUST COLLAR				1
15	40078218	WALKING FOOT DRIVING ROD ASM.				1
16	11210200	WALKING FOOT DRIVING ROD		*		1
17	SS7090910TP	SCREW 9/64-40 L=8.5		*		1
18	22911101	WALKING FOOT PIN C		*		1
19	SS7110570SP	SCREW 11/64-40 L=4.8				1
20	11214301	ROLLER				1
21	11214202	WALING FOOT HORIZONTAL LOWER				1
22	11214103	FEED ROCKER SHAFT CRANK, LOWER				1
23	NS6120310SP	NUT 3/16-28				1
24	SS6121220TP	SCREW 3/16-28 L=11.5				1
25	NS6620310SP	NUT 3/16-32				1
26	SS8120410SP	SCREW 3/16-28 L=3.8				1
27	TA0850604R0	RUBBER PLUG				1
28	11214608	FEED ROCKER BAR BUSHING				1
29	11214400	FEED ROCKER SHAFT				1
30	SS8150410TP	SCREW 15/64-28 L=4.0				1
31	11214756	HORIZONTAL BAR ASM.				1
32	11215118	ROLLER				2
33	RC0330415KP	SNAP RING				2
34	11215019	ROLLER SHAFT				1
35	RC0330415KP	SNAP RING				2
36	11214806	PIN				1
37	11214905	WALKING FOOT MOUNT				1
38	22881304	UPPER FEED PRESSER				1
39	SS6110610TP	SCREW 11/64-40 L=6				2
40	11214509	BUSHING				1
41	B3016450000A	PIN				1
42	SS6121220TP	SCREW 3/16-28 L=11.5				1
43	11214004	FEED ROCKER SHAFT CRANK, UPPER				1
44	11211000	ROCK SHAFT BUSHING, FRONT				1
45	CS120101BSH	THRUST COLLAR ASM.				2
46	SS8660410SP	SCREW 1/4-40 L=4.2		*		4
47	SS8120740SP	SCREW 3/16-28 L=7				1

TOP FEED MECHANISM COMPONENTS

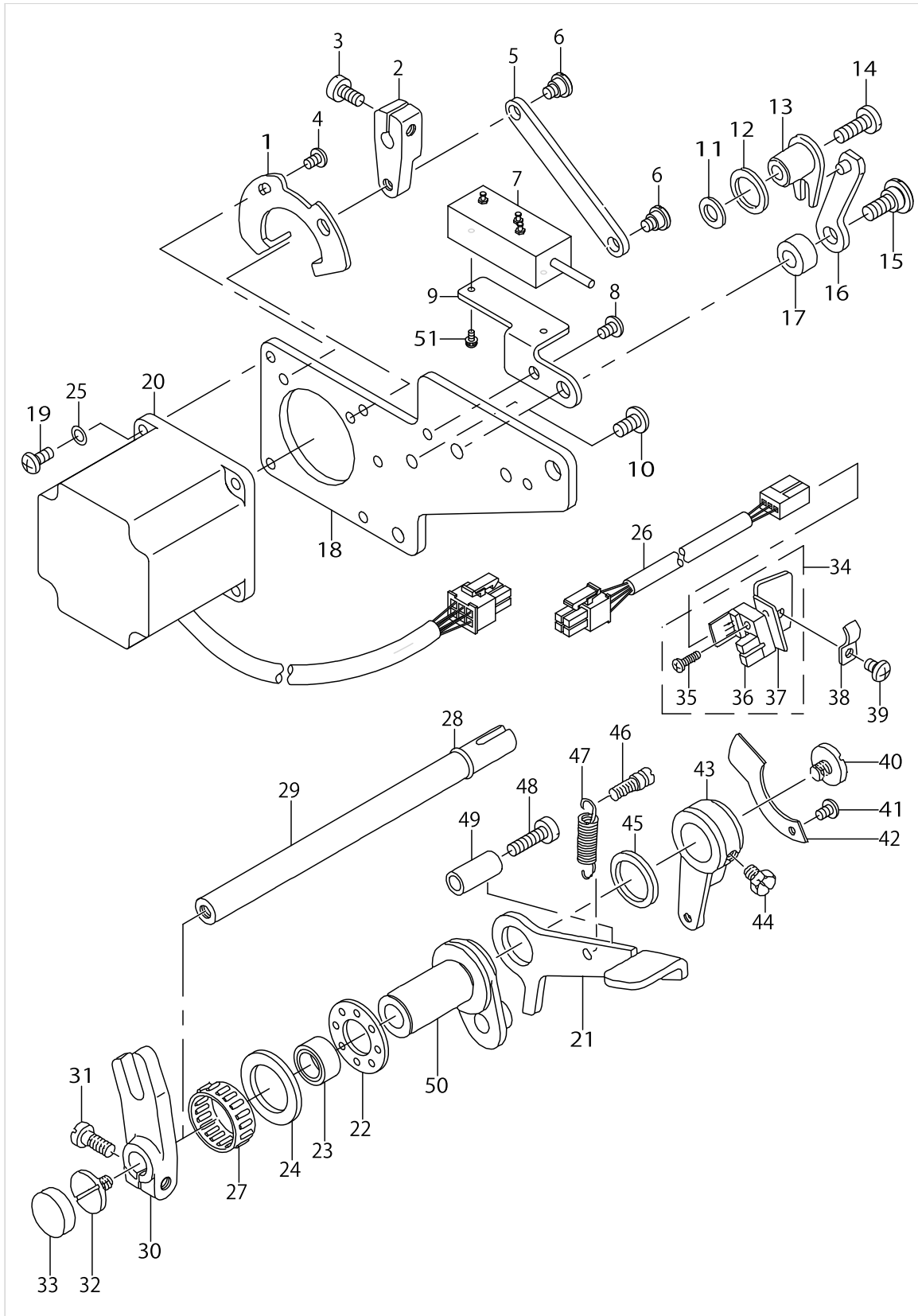


TOP FEED MECHANISM COMPONENTS

No.	Parts No.	Parts name	Remarks	Level	Cons	Qty
48	SS6121220TP	SCREW 3/16-28 L=11.5				1
49	SS7090910TP	SCREW 9/64-40 L=8.5				1
50	11210705	WALKING FOOT ARM				1
51	11210804	WALKING FOOT ROCK SHAFT				1
52	11216801	DRIVING PRESSER ARM				1
53	SD0640451TP	HINGE SCREW D=6.35 H=4.5				1
54	11008703	WALKING FOOT LINK				4
55	22911002	WALKING FOOT PIN B				1
56	SS8120740SP	SCREW 3/16-28 L=7				2
57	22910905	WALKING FOOT PIN A				2
58	11210325	WALKING FOOT ADJUSTING LINK				1
59	SS4090815SP	SCREW 9/64-40 L=8				2
60	11210507	WALKING FOOT FULCRUM SHAFT A				1
61	11210408	WALKING FOOT ADJUSTING PIN				1
62	NS6620310SP	NUT 3/16-32				1
63	11210614	FULCRUM SHAFT B				1
64	11210903	ROCK SHAFT BUSHING, REAR				1
65	11216306	DRIVING ARM, REAR				1
66	SS6121220TP	SCREW 3/16-28 L=11.5				1
67	B412352200B	NEEDLE ROLLAR				1
68	11210051	LEVEL CAM ASM.				1
69	11210002	CAM		*		1
70	SS8660530TP	SCREW 1/4-40 L=4.5		*		2



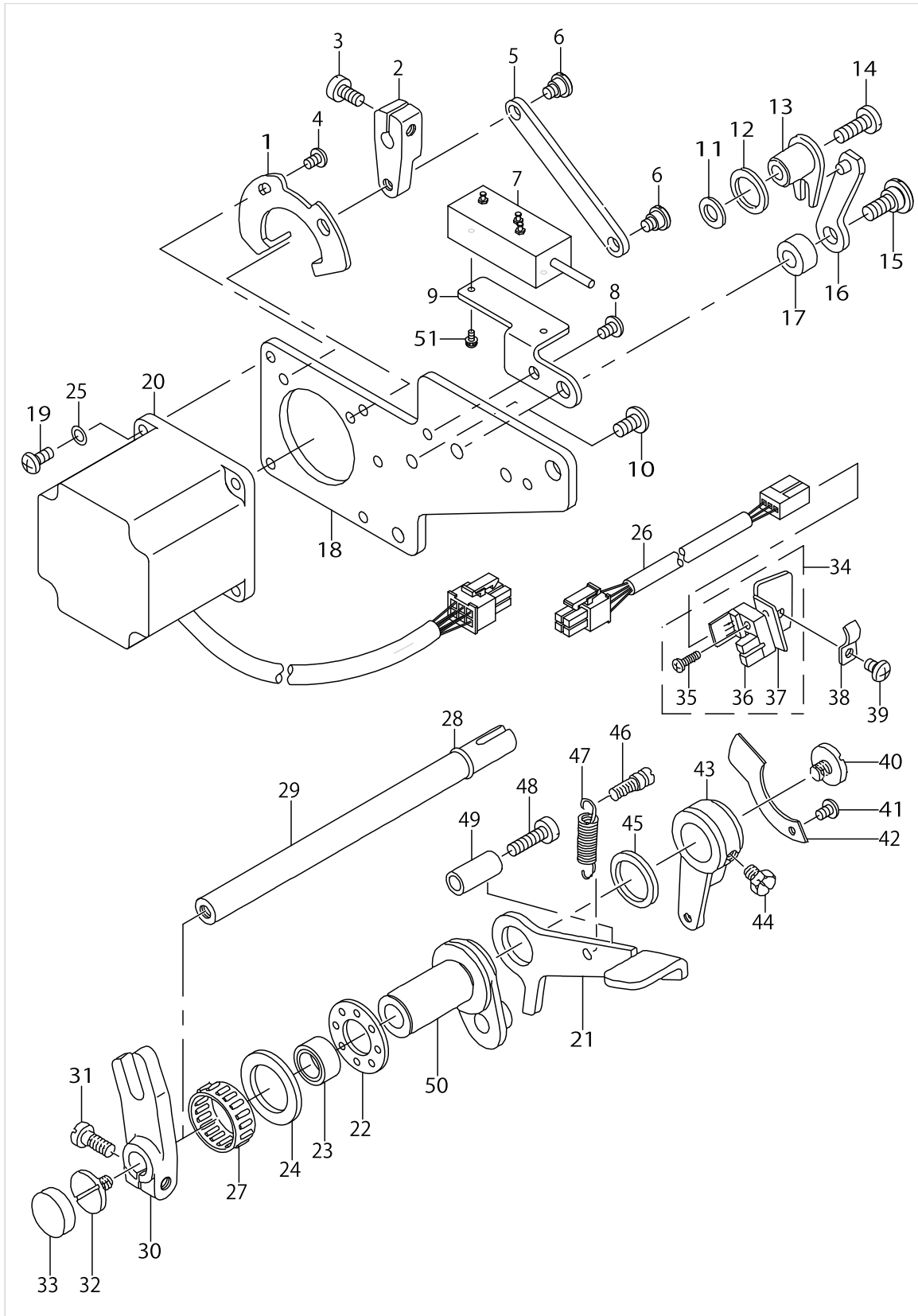
TOP FEED MECHANISM & MOTOR COMPONENTS



TOP FEED MECHANISM & MOTOR COMPONENTS

No.	Parts No.	Parts name	Remarks	Level	Cons	Qty
1	11274701	MOTOR ARM STOPPER				1
2	11274503	MOTOR ARM				1
3	SS6121010SP	SCREW 3/16-28 L=10				1
4	SS4110615SP	SCREW 11/64-40 L=6				2
5	11274602	MOTOR LINK				1
6	SD0640321SP	HINGE SCREW D=6.35 H=3.2				2
7	40034156	POTENTIOMETER ASM				1
8	SS4110615SP	SCREW 11/64-40 L=6				1
9	40032986	POTENTIOMETER BASE				1
10	SS4120915SP	SCREW 3/16-28 L=9				2
11	11273505	BRANCH SPACER				1
12	11273307	OIL SEAL				1
13	11273158	POTENTIOMETER CRANK ASM.				1
14	SS7121410SP	SCREW 3/16-28 L=14				1
15	SD0870401SP	HINGE SCREW D=8.73 H=4				1
16	11272952	POTENTIOMETER ARM ASM.				1
17	11273000	POTENTIOMETER ARM COLLAR				1
18	11274313	STEPPING MOTOR BASE				1
19	SS4110915TP	SCREW 11/64-40 L=9				4
20	11281458	STEPPING MOTOR				1
21	11280401	FEED CONTROL LEVER				1
22	B1211980000	UPPER SHAFT THRUST BEARING				1
23	B1641490000	OIL SEAL				1
24	B1242980000	THRUST WASHER, SMALL				1
25	WP0460556SD	WASHER 4.6X7.5X0.5				4
26	11281557	TRUNK CORD ASM.				1
27	B1644490000	NEEDLE BEARING				1
28	RO069180100	RUBBER RING				1
29	11274008	LEVER SHAFT				1
30	11211109	WALKING FOOT ADJUSTING ARM				1
31	SS6121250TP	SCREW 3/16-28 L=11.5				1
32	SS7620750SP	SCREW 3/16-32 L=6.5				1
33	TA1750502R0	RUBBER PLUG D=17.5 L=5				1
34	11274859	SENSOR ASM.				1
35	SL4031081SF	SCREW M3 L=10		*		1
36	HD000570000	SENSOR		*		1
37	11274800	SENSOR BASE		*		1
38	D2611555B00A	CABLE HOLDER				1
39	SS4110615SP	SCREW 11/64-40 L=6				1
40	SS7620750SP	SCREW 3/16-32 L=6.5				1
41	SS4110615SP	SCREW 11/64-40 L=6				1
42	11274206	SENSOR PLATE				1
43	11274107	UPPER FEED LEVER SHAFT ARM				1
44	SS9660910SP	SCREW 1/4-40 L=9.4				1
45	11272408	THRUST COLLAR				1
46	11272614	FEED SPRING HOOK				1
47	11272507	SPRING				1

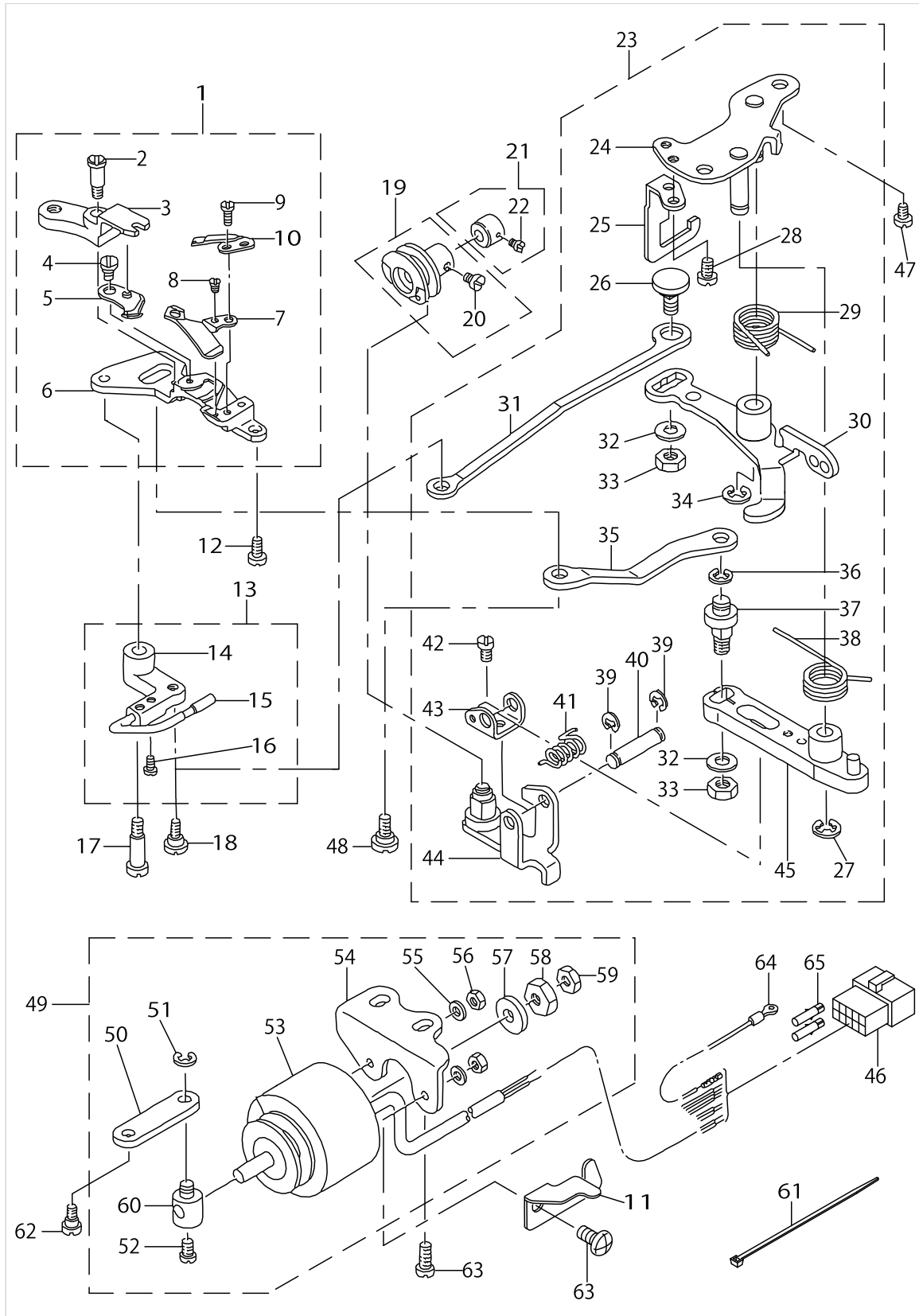
# TOP FEED MECHANISM & MOTOR COMPONENTS



TOP FEED MECHANISM & MOTOR COMPONENTS

No.	Parts No.	Parts name	Remarks	Level	Cons	Qty
48	SS6121840SP	SCREW 3/16-28 L=18				1
49	11100500	REVERSE FEED LEVER STOPPER				1
50	11272051	LEVER BASE ASM.				1
51	SL4020591SC	SCREW M2X5				2

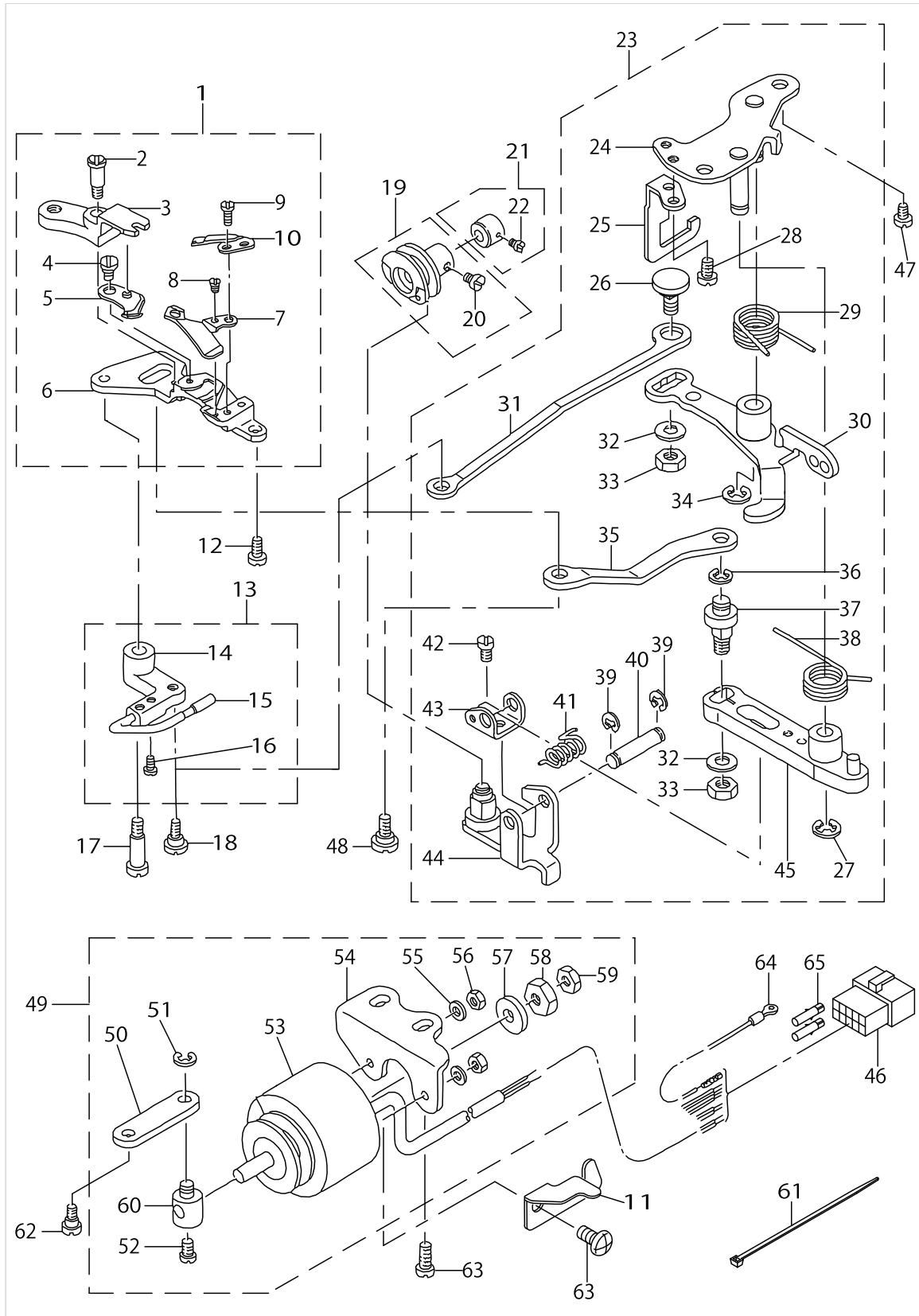
# THREAD TRIMMER COMPONENTS



THREAD TRIMMER COMPONENTS

No.	Parts No.	Parts name	Remarks	Level	Cons	Qty
1	11232055	KNIFE UNIT				1
2	SD0460703TP	HINGE SCREW D=4.6 H=7		*		1
3	11232105	FORKED BASE FOR KNIFE		*		1
4	SD0500095TH	HINGE SCREW D= 5 H= 0.85		*		1
5	11040052	MOVING KNIFE ASM.		*	☆	1
6	22947907	KNIFE MOUNTING BASE		*		1
7	11313103	THREAD GUIDE FOR KNIFE		*	☆	1
8	SS2060210SP	SCREW 3/32-56 L=2.3		*		1
9	SS4080620TP	SCREW 1/8-44 L=6		*		2
10	D2406555D0H	COUNTER KNIFE		*	☆	1
11	22962708	TUBE HOLDER, LOWER				1
12	SS4110715SP	SCREW 11/64-40 L=7				1
13	11042553	PICKER ARM ASM.				1
14	11042504	PICKER ARM		*		1
15	22950356	HOOK THREAD PRESSER ASM.		*	☆	1
16	SS6090510SP	SCREW 9/64-40 L=5		*		2
17	SD0641451SP	HINGE SCREW D= 6.35 H=14.5				1
18	SD0630275SP	HINGE SCREW D= 6.35 H=2.7				1
19	11042850	THREAD TRIMMER CAM ASM.				1
20	SS6660610TP	SCREW 1/4-40 L=6		*		2
21	22950950	CAM COLLAR ASM.				1
22	SS8110520TP	SCREW 11/64-40 L=4.5		*		1
23	22949762	THREAD TRIMMER DRIVING UNIT				1
24	22949754	BASE PLATE ASM.		*		1
25	22950703	DRIVING ARM STOPPER		*		1
26	22950000	PICKER LINK PIN		*		1
27	RE0600000K0	E-RING 6		*		1
28	SS4110715SP	SCREW 11/64-40 L=7		*		2
29	22949408	CLUTCH SPRING		*		1
30	11041852	CLUTCH PLATE ASM.		*		1
31	22950109	PICKER LINK		*		1
32	WP0621016SH	WASHER		*		2
33	NS6150430SP	NUT 15/64-28		*		2
34	RE0600000K0	E-RING 6		*		1
35	22948301	MOVING KNIFE LINK		*		1
36	RE0500000K0	E-RING		*		1
37	22948400	MOVING KNIFE LINK PIN		*		1
38	22949309	KNIFE RETURN SPRING B		*		1
39	RE0400000K0	E-RING 4		*		2
40	22949101	ROLLER FULCRUM SHAFT		*		1
41	22949200	ROLLER RETURN SPRING		*		1
42	SS7090610SP	SCREW 9/64-40 L=6		*		1
43	22949002	ROLLER ARM SEAT		*		1
44	11040953	ROLLER ARM ASM.		*		1
45	11040854	KNIFE DRIVING ARM ASM.		*		1
46	HK034610140	HOUSING 14P				1
47	SS4150915SP	SCREW 15/64-28 L=9				2

# THREAD TRIMMER COMPONENTS

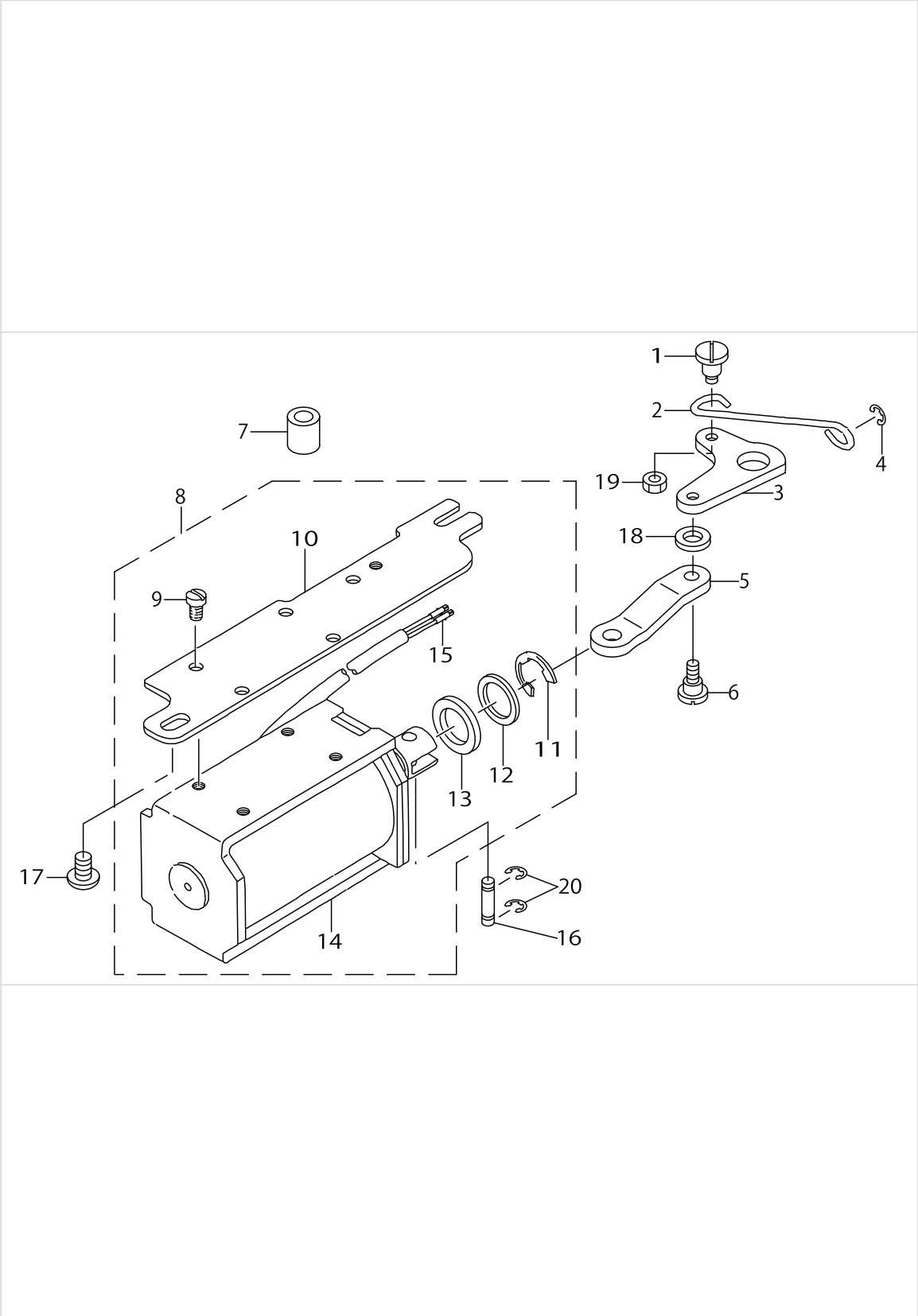


THREAD TRIMMER COMPONENTS

No.	Parts No.	Parts name	Remarks	Level	Cons	Qty
48	SD0640631TP	HINGE SCREW D=6.35 H=6.3				1
49	11043957	SOLENOID UNIT				1
50	22949903	CLUTCH LINK		*		1
51	RE0500000K0	E-RING		*		1
52	SS6110710TP	SCREW 11/64-40 L=6.5		*		1
53	11043908	THREAD TRIMMER SOLENOID		*		1
54	22951404	SOLENOID BASE		*		1
55	WP0450000SD	WASHER 4.5X8X0.5		*		2
56	NM6040000SN	NUT M4		*		2
57	11043304	SOLENOID RUBBER		*		1
58	NS6660410SH	NUT		*		1
59	NS6660430SP	NUT 1/4-40		*		1
60	22951008	SOLENOID PIN		*		1
61	EA9500B0100	CABLE BAND				1
62	SD0600361SP	HINGE SCREW D=6 H=3.6				1
63	SS4151215SP	SCREW 15/64-28 L=12				3
64	11044054	GROUND WIRE ASM.				1
65	HK03464000B	PIN CONTACT				2



AUTOMATIC REVERSE FEED COMPONENTS



AUTOMATIC REVERSE FEED COMPONENTS

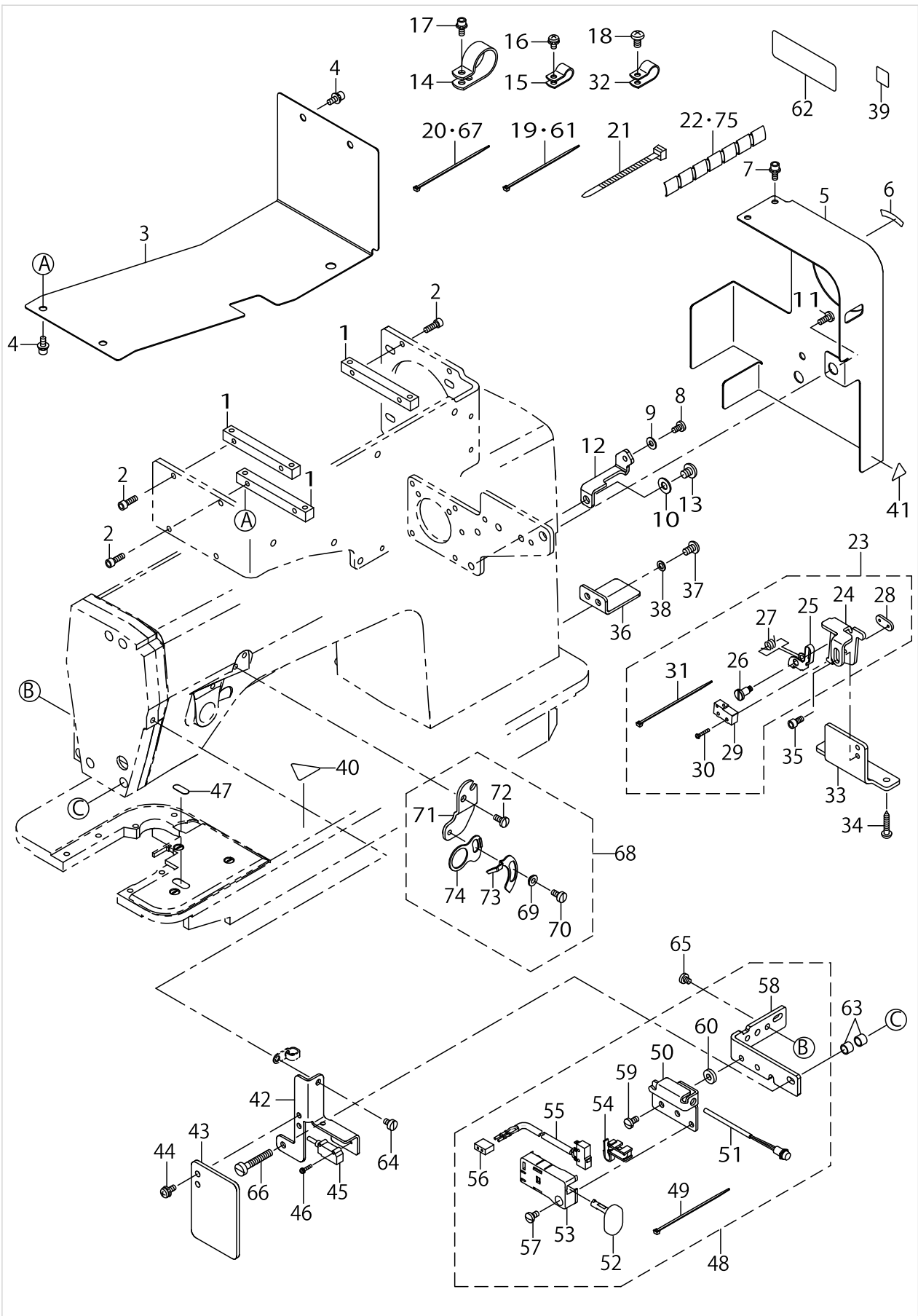
No.	Parts No.	Parts name	Remarks	Level	Cons	Qty
1	SD0700451TP	HINGE SCREW D=7 H=4.5				1
2	11101300	REVERSE FEED CONNECTING SHAFT				1
3	11101508	REVERSE FEED LINK				1
4	RE0500000KP	E-RING 5				1
5	22962500	SOLENOID CONNECTING LINK				1
6	SD0700711TP	HINGE SCREW D=7 H=7.1				1
7	22962609	REVERSE FEED BASE COLLAR				1
8	11228459	SOLENOID INSTALLING BASE ASM.				1
9	SS7110740TP	SCREW 11/64-40 L=7		*		4
10	11227600	SOLENOID INSTALLING PLATE		*		1
11	RE1200000K0	E-RING 12		*		1
12	WP1703001SC	WASHER 17X30X3		*		1
13	D2468555B00	RUBBER PLUNGER		*		1
14	11228400	REVERSE FEED SOLENOID		*		1
15	HK03464000B	PIN CONTACT		*		2
16	D2464555B00	LINK DRIVING MAGNET PIN				1
17	SS4150915SP	SCREW 15/64-28 L=9				1
18	WP0722316SH	WASHER				1
19	NS6110420SP	NUT 11/64-40				1
20	RE0400000K0	E-RING 4				2



OIL LUBRICATION COMPONENTS

No.	Parts No.	Parts name	Remarks	Level	Cons	Qty
1	22947006	OIL SIGHT WINDOW				1
2	RO195240100	RUBBER RING				1
3	BT0600402EA	OIL TUBE				0.25
4	SS6080340SP	SCREW 1/8-44 L=2.9				1
5	11222007	HOLDER				1
6	SQ1150501SD	CONNECTING SCREW				1
7	11221652	OIL TUBE ASM.				1
8	B3404122000	SPRING		*		1
9	B3536122000	HOLDER		*		1
10	11221801	HOLDER A		*		1
11	11221702	FELT B		*		1
12	11221603	FELT A		*		1
13	SS4120615SP	SCREW 3/16-28 L=6				2
14	11221900	OIL FELT PRESSER				1
15	CQ252000000	OIL WICK				0.21
16	22924500	HOOK OIL TUBE				1
17	22924906	OIL REGULATOR SCREW SPRING				1
18	22925002	OIL REGULATOR SCREW				1
19	22923056	OIL PUMP ASM.				1
20	22923312	OIL PUMP INSTALLING BASE		*		1
21	SL4030851SF	SCREW M3 L=8		*		3
22	22923908	HOOK DRIVING SHAFT OILING PIPE		*		1
23	22923015	OIL PUMP		*		1
24	22923700	IMPELLER		*		1
25	22923502	PLUNGER SCREW		*		1
26	22923601	PLUNGER SPRING		*		1
27	22923403	PLUNGER		*		1
28	22923809	PUMP BODY SUPPORT PLATE		*		1
29	22923205	PUMP BODY COVER		*		1
30	SE4301041SR	SCREW D=3 L=10		*		3
31	22924609	RUBBER JOINT				1
32	11221504	OIL TUBE JOINT				1
33	SS4150915SP	SCREW 15/64-28 L=9				1
34	SS6111010TP	SCREW 11/64-40 L=9.5				1
35	11231503	OIL PUMP SUPPORT				1
36	WS0451040KP	SPRING WASHER 4.5X8.5X1				1
37	WS0651310KP	SPRING WASHER 6.5X11X1.3				1

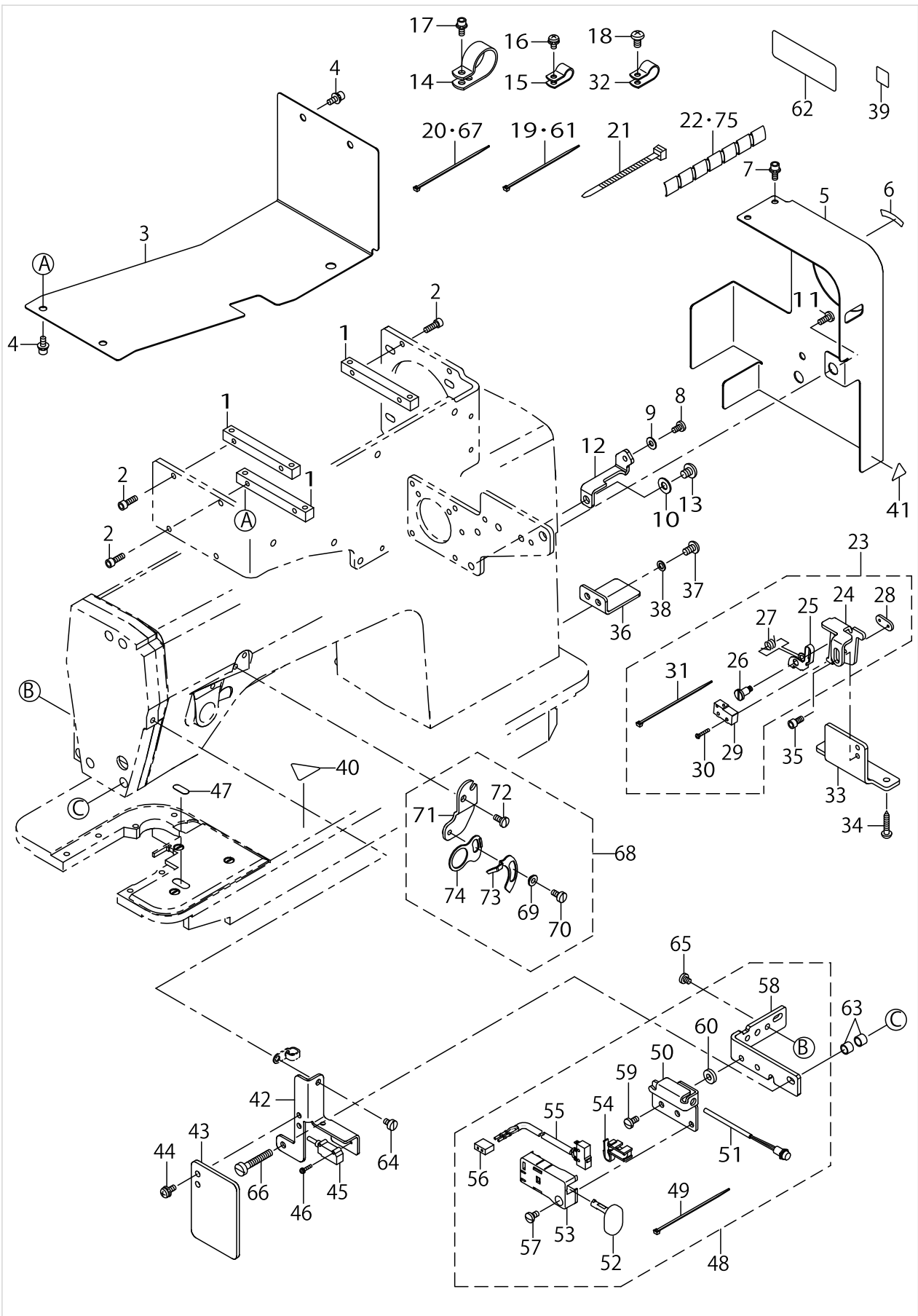
MECHANISM & MISCELLANEOUS COVER COMPONENTS



MECHANISM & MISCELLANEOUS COVER COMPONENTS

No.	Parts No.	Parts name	Remarks	Level	Cons	Qty
1	40088022	COVER_INSTALLING_PLATE				3
2	SM6041202TN	SCREW M4X0.7 L=12				6
3	40088023	MOTOR_COVER				1
4	SL6041092TN	SCREW				4
5	40088024	FLYING_WHEEL_COVER				1
6	B1144210000	REVOLVING DIRECTION LABEL				1
7	SL6041092TN	SCREW				2
8	SS7110710SP	SCREW 11/64-40 L=7				1
9	WP0450801SD	WASHER 4.5X10X0.8				1
10	WP0621016SD	WASHER 6.2X13X1				1
11	SS7701010SP	SCREW 5/16-24 L=10				1
12	11278306	BELT COVER STAY				1
13	SS4150715SP	SCREW 15/64-28 L=7				1
14	HX00150000M	CABLE CLIP				1
15	HX00150000C	CABLE CLIP				1
16	SL4040891SC	SCREW M4 L=8				1
17	SL6041092TN	SCREW				1
18	SS4120915SP	SCREW 3/16-28 L=9				1
19	EA9500B0100	CABLE BAND				10
20	EA9500B0200	CABLE BAND 150				10
21	HX00065000A	CABLE CLIP				3
22	HX00314000B	SPIRAL TUBE				1
23	40029776	SAFTY_SW_ASM.				1
24	40006496	SAFETY_SW_BASE		*		1
25	23638109	SAFETY SWITCH ARM		*		1
26	40006497	SAFETY_SW_ARM_SHAFT		*		1
27	23638208	SAFETY SWITCH SPRING		*		1
28	23638406	SAFETY SWITCH NUT		*		1
29	40029633	SAFETY SW CORD ASM		*		1
30	SM4021201SC	SCREW M2 L=12		*		2
31	EA9500B0100	CABLE BAND		*		1
32	HX00150000D	CABLE CLIP				1
33	40088026	SAFETY_SW_INSTALLING_PLATE				1
34	SK3412001SE	WOOD SCREW D=4.1 L=20				2
35	SM6040802TP	SCREW M4X0.7 L=8				2
36	40088174	SW_SUPPRESSION_PLATE				1
37	SS4120915SP	SCREW 3/16-28 L=9				2
38	WP0480856SP	WASHER 4.8X8.4X0.8				2
39	CM600100101	WEEE MARK LABEL S	FOR JE			1
40	CM300200002	CAUTION LABEL(25)				1
41	CM300200001	ATTENTION SEAL				1
42	40088019	SENSOR_PLATE				1
43	13889407	SAFETY PLATE				1
44	SL4041081SC	SCREW M4 L=10				2
45	40084075	CLOTH DETECTOR ASSY				1
46	SL4021091SC	SCREW M2 L=10				2
47	40088020	CLOTH_DETECTION_REFLECTION_SHEET				1

MECHANISM & MISCELLANEOUS COVER COMPONENTS

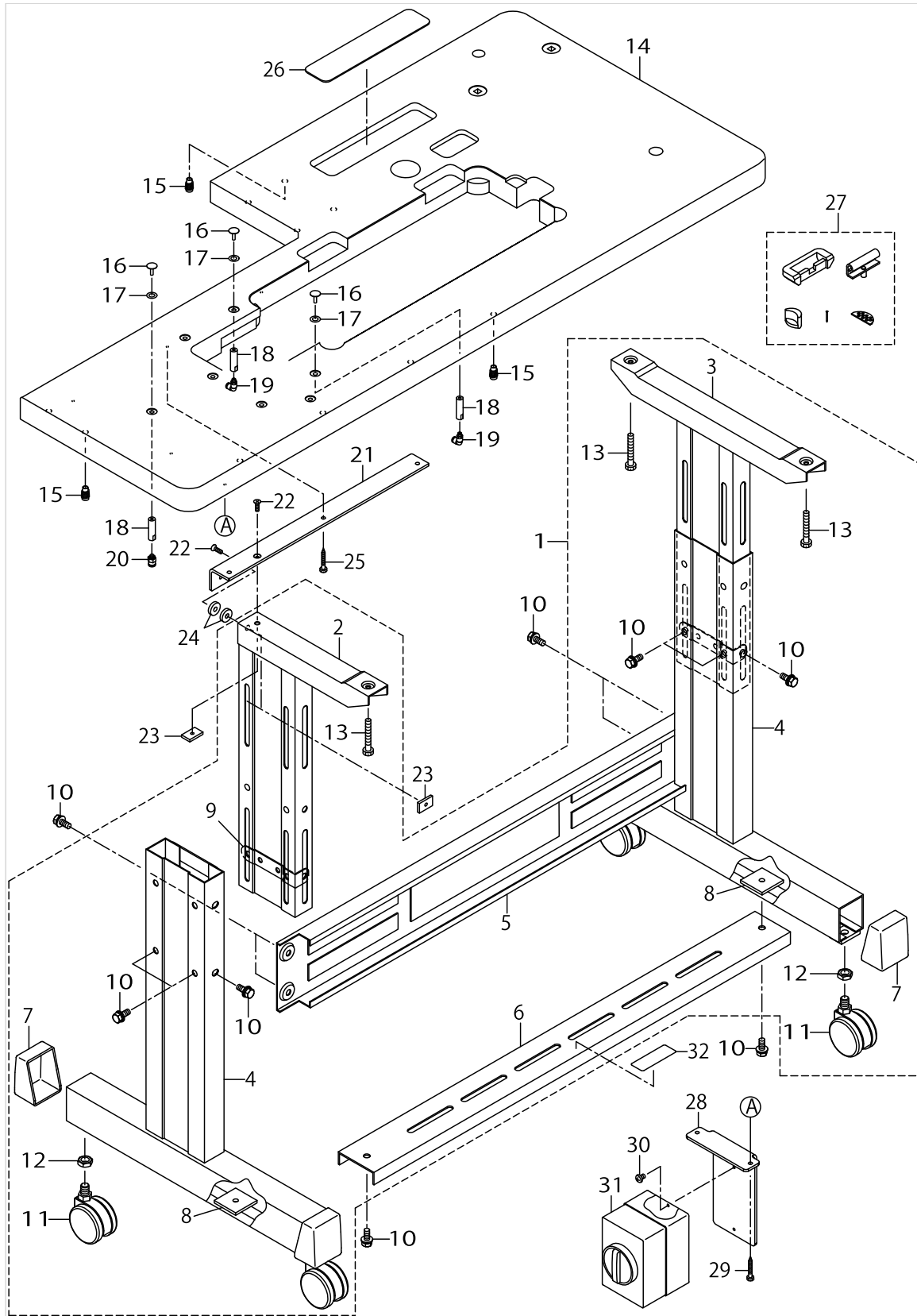


MECHANISM & MISCELLANEOUS COVER COMPONENTS

No.	Parts No.	Parts name	Remarks	Level	Cons	Qty
48	40088207	SWITCH_ASM				1
49	EA9500B0100	CABLE BAND		*		2
50	40088021	SWITCH_BASE		*		1
51	40041232	SW LED CABLE A ASSY		*		1
52	23631807	REVERSE FEED SWITCH SHAFT		*		1
53	23631708	REVERSE FEED SWITCH COVER		*		1
54	23631906	REVERSE FEED SWITCH SUPPORT		*		1
55	40018458	SW_CABLE_ASSY		*		1
56	HK016590060	HOUSING		*		1
57	SS7110740TP	SCREW 11/64-40 L=7		*		1
58	40088205	SWITCH_PLATE_DLU		*		1
59	SS7110840SP	SCREW 11/64-40 L=7.8		*		2
60	WP0502616SD	WASHER		*		2
61	EA9500B0100	CABLE BAND				2
62	40094560	CE MARKING LABEL (EU)	FOR JE			1
63	22956809	WIPER COLLAR				2
64	SS6110610TP	SCREW 11/64-40 L=6				1
65	SS7110510SP	SCREW 11/64-40 L=5				2
66	SS6123010SP	SCREW 3/16-28 L=30.0				1
67	EA9500B0200	CABLE BAND 150				1
68	40088632	THB_SENSOR_COMPONENTS	OPTIONAL PARTS			1
69	40028835	BUSHING		*		1
70	SM6040860TP	SCREW M4 L=8		*		1
71	40088029	SENSOR_PLATE_INSTALLING_PLATE		*		1
72	SS7110910TP	SCREW 11/64-40 L= 8.5		*		2
73	40084061	THB SENSOR CORD ASSY		*		1
74	40028834	GUIDE_PLATE		*		1
75	HX00314000A	SPIRAL TUBE				1.5



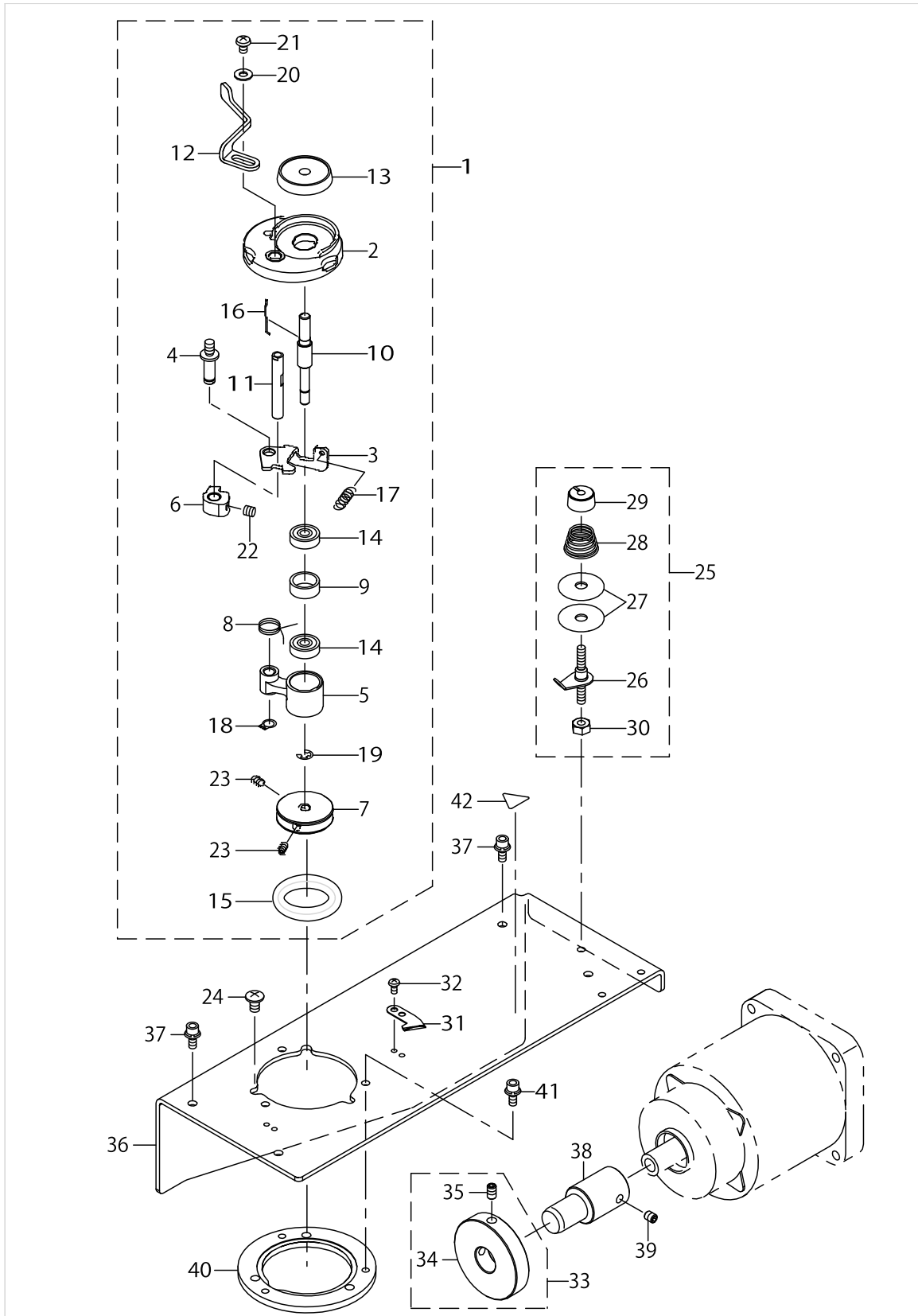
MAIN SEWING TABLE COMPONENTS



MAIN SEWING TABLE COMPONENTS

No.	Parts No.	Parts name	Remarks	Level	Cons	Qty
1	40088166	T-STAND_ASM.				1
2	40088167	UPPER_STAND_ASM.		*		1
3	40088172	UPPER_STAND_ASM.		*		1
4	B8105210AAA	STAND_ASM.		*		2
5	11158300	STAND SIDE SUPPORT		*		1
6	11158409	STAND SIDE SUPPORT		*		1
7	11158607	RUBBER CAP		*		4
8	17007402	NUT		*		2
9	11158516	UPPER STAND PLATE		*		2
10	SL9082091SE	WASHER HEXAGONAL BOLT		*		12
11	B8150210000	CASTER		*		4
12	NM6120003SE	NUT M12		*		4
13	ST9053511SR	TAPPING SCREW M5X35		*		3
14	40088168	TABLE				1
15	40075287	INSERT_NUT M6X20				10
16	G5080397000	TABLE BLOW				7
17	WP0550800SP	WASHER 5.5X10X0.8				7
18	40088169	STUD				7
19	PJ304060502	ELBOW UNION 6XM5				6
20	PJ301060503	HALF UNION				1
21	40088170	TABLE_BRACKET				1
22	SM1051601SC	SCREW M5X0.8 L=16				2
23	18073403	NUT				2
24	17008004	WASHER				2
25	ST9053511SR	TAPPING SCREW M5X35				3
26	40088171	RUBBER_SHEET				1
27	22958052	RUBBER_HINGE_ASM.				1
28	40088182	SWITCH_BRACKET				1
29	ST9053511SR	TAPPING SCREW M5X35				2
30	SL4041081SC	SCREW M4 L=10				2
31	HA005820000	SWITCH				1
32	16870206	GRAVITY SEAL				1

BOBBIN WINDER UNIT



## BOBBIN WINDER UNIT

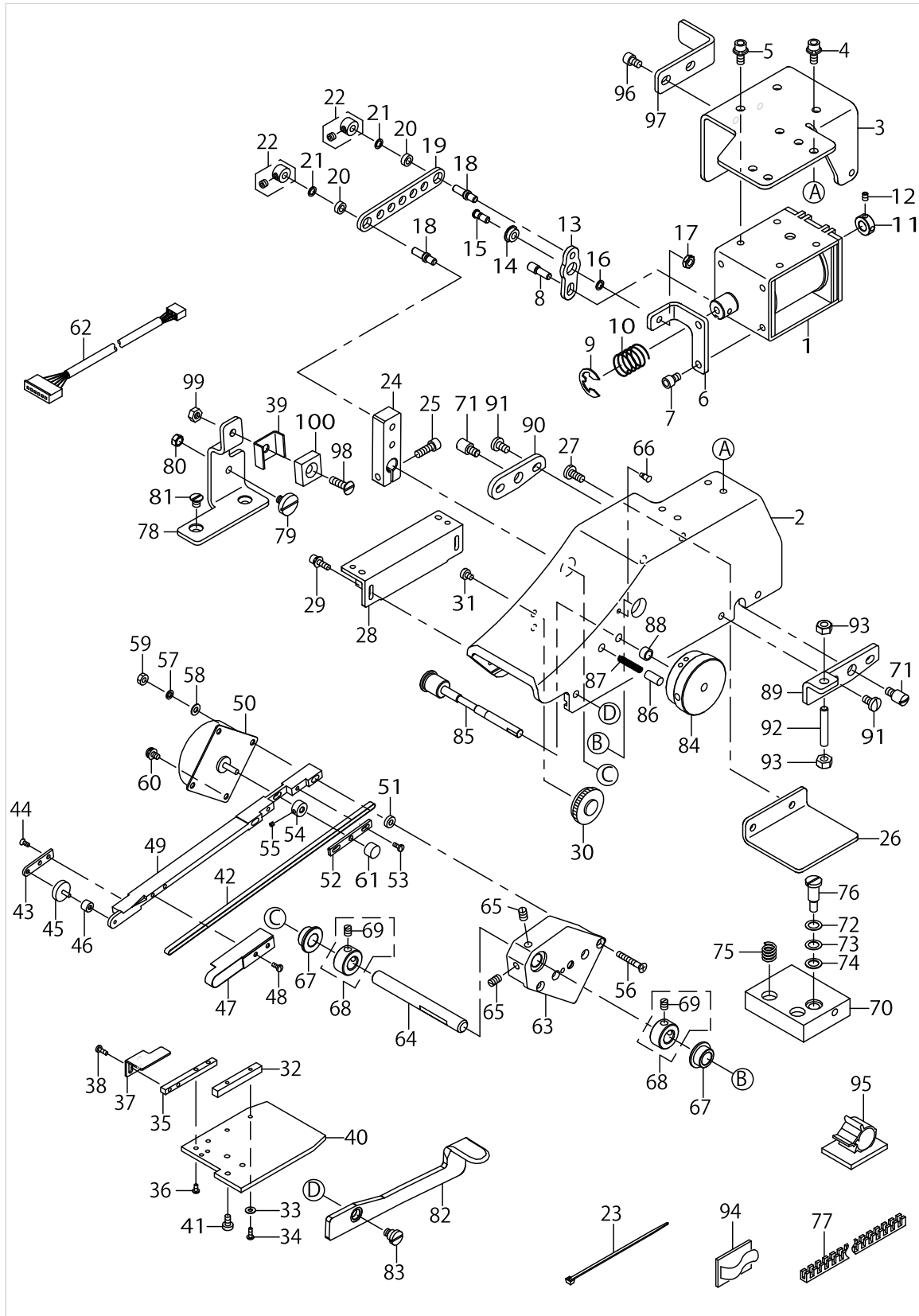
No.	Parts No.	Parts name	Remarks	Level	Cons	Qty
1	40011143	ASSY_BTW				1
2	26260109	BTW_BASE		*		1
3	26260208	BTW_CAM_PLATE		*		1
4	26260307	BTW_BASE_SHAFT		*		1
5	26260406	BTW_SHAFT_BASE		*		1
6	26260505	BTW_CAM_LEVER		*		1
7	26260604	BTW_WHEEL		*		1
8	40011144	BTW_TORSION_SPRING		*		1
9	26260802	BTW_BEARING_SPACER		*		1
10	40011145	BTW_SHAFT		*		1
11	40011146	BTW_LEVER_SHAFT		*		1
12	40021933	BTW_LEVER		*		1
13	26261206	BTW_SPACER		*		1
14	26261305	BTW_BEARING		*		2
15	26261503	BTW_WHEEL_RUBBER		*	☆	1
16	26261602	BOBBIN_SPRING		*		1
17	26261701	BTW_SPRING		*		1
18	RC0560711KP	RETAINING RING		*		1
19	RE0400000K0	E-RING 4		*		1
20	WP0450826SC	WASHER 4.5X10X0.8		*		1
21	SM5040655SN	SCREW		*		1
22	SM8050502TP	SCREW M5 L=5		*		1
23	SM8040802TP	SCREW M4X8		*		2
24	SM0050801SC	SCREW				3
25	14113468	BOBBIN THREAD TENSION ASM.				1
26	14113450	BOBBIN THREAD TENSION ROD ASM.		*		1
27	B3126012000	THREAD TENSION DISK		*		2
28	D7133555B00	CONNECTING ROD SPRING		*		1
29	11072402	THREAD TENSION NUT		*		1
30	NS6110310SP	NUT 11/64-40		*		1
31	10502300	THREAD CUTTER			☆	1
32	SM4030601SN	SCREW M3 X 6				2
33	40010533	BTW_DRIVING_WHEEL_ASM				1
34	40010534	BTW_DRIVING_WHEEL		*		1
35	40010535	DRIVING_WHEEL_SCREW		*		2
36	40088213	PRINT_CHART				1
37	SL6041092TN	SCREW				4
38	40088031	BOBBIN_WINDER_SHAFT				1
39	SM8050612TP	SCREW M5X6				2
40	40088032	BOBBIN_UNIT_PLATE				1
41	SL6041092TN	SCREW				3
42	CM300200001	ATTENTION SEAL				1



UPPER MANIPULATOR COMPONENTS

No.	Parts No.	Parts name	Remarks	Level	Cons	Qty
1	40084098	MANIPULATOR SOLENOID				1
2	40088147	UPPER_MANIPULATOR_COVER_B				1
3	40088148	UPPER_MANIPULATOR_SOLENOID_BASE				1
4	SL6041092TN	SCREW				4
5	SL6041092TN	SCREW				4
6	40088149	UPPER_MANIPULATOR_PIVOT_BASE				1
7	SM6040602TP	SCREW M4 L=6				2
8	40006617	AT_SOL_PIN				1
9	RE0900000K0	E-RING 9				1
10	40006625	SPRING				1
11	40010477	AT_SOL_COLLAR				1
12	SM8030412TP	SCREW				2
13	40088150	UPPER_MANIPULATOR_DRIVE_LINK_A				1
14	40010490	AT_PIVOT_BEARING				1
15	40010487	AT_PIVOT_SCREW				1
16	40010489	AT_PIVOT_SCREW_WASHER				2
17	NM6040003SC	NUT M4				1
18	40088151	BEARING_PIN				2
19	40088152	UPPER_MANIPULATOR_DRIVE_LINK_C				1
20	40010498	AT_JOINT_BEARING				2
21	40010489	AT_PIVOT_SCREW_WASHER				2
22	13172952	COLLAR ASM.				2
23	EA9500B0100	CABLE BAND				2
24	40088153	MANIPULATOR_DRIVE_LEVER				1
25	SM6041202TP	SCREW M4X0.7 L=12				1
26	40088154	COVER_MOUNTING_BASE				1
27	SS7110910TP	SCREW 11/64-40 L= 8.5				2
28	18056408	SOLENOID				1
29	SL6031092TN	SCREW				2
30	18053355	GEAR ASM.				1
31	SS6080410SP	SCREW 1/8-44 L=4				2
32	18055103	RACK				1
33	WP0250516SD	WASHER 2.5X6X0.5				2
34	SM4020600SP	SCREW M2 L=6				2
35	18067108	SENSOR FIXER				1
36	SS5060410SP	SCREW 3/32-56 L=3.5				2
37	40096523	SENSOR_BRACKET				1
38	SS7060610SP	SCREW 3/32-56 L= 5.5				2
39	40098291	MAGNET_SAVER				1
40	18055202	SLIDER				1
41	SM6030600SP	SCREW M3X0.5 L=6				3
42	18059303	TIMING BELT				1
43	18065805	SUPPORT PLATE				1
44	SS2060510SP	SCREW 3/32-56 L=4.5				2
45	18054205	CONTROL ROLLER				1
46	18056804	SPROCKET A				1
47	18058909	ROLLER COVER				1

# UPPER MANIPULATOR COMPONENTS

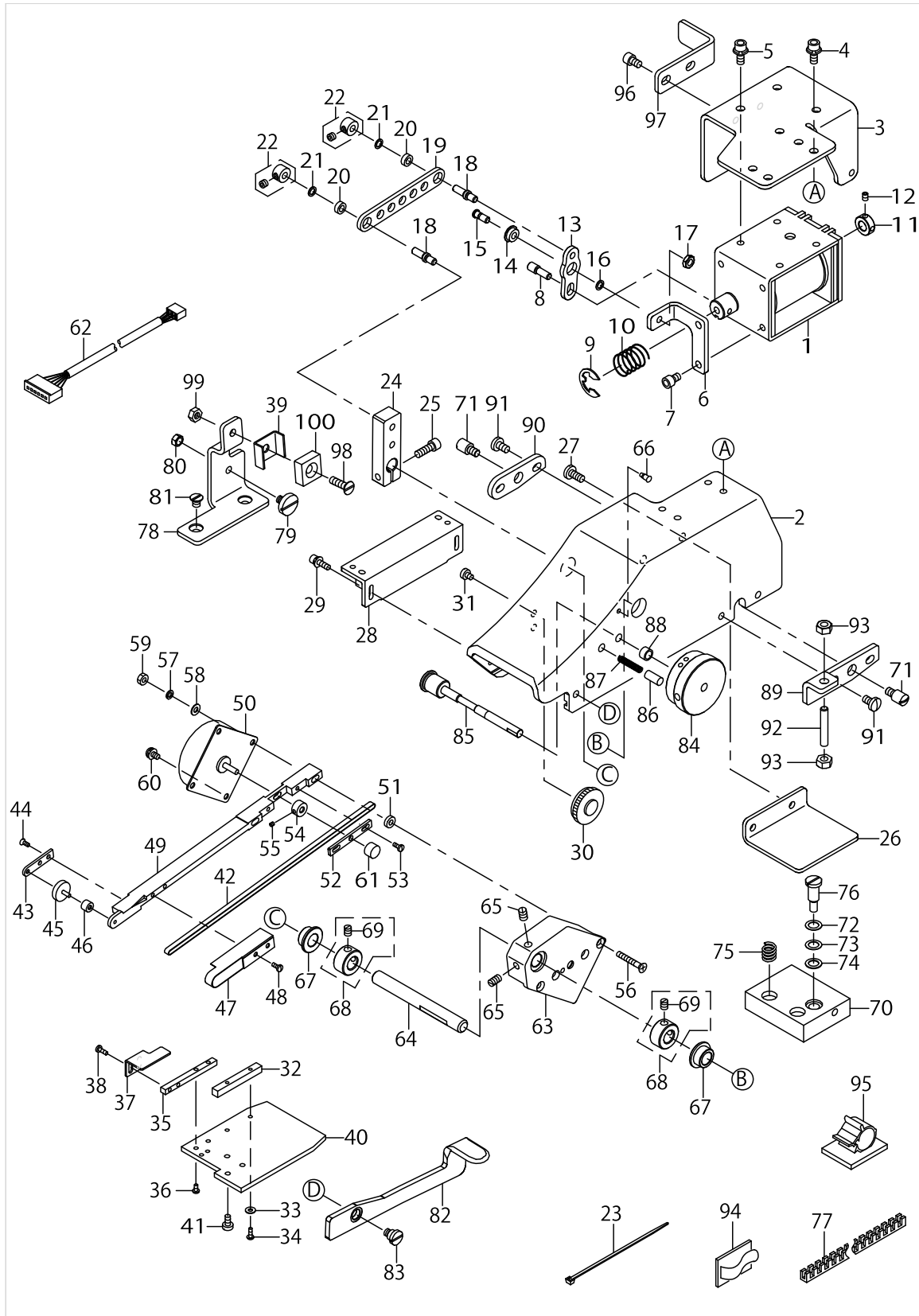


UPPER MANIPULATOR COMPONENTS

No.	Parts No.	Parts name	Remarks	Level	Cons	Qty
48	SS7060510SP	SCREW 3/32-56 L=4.8				2
49	18054700	SWING ARM				1
50	40084099	MANIPULATOR_MOTOR				1
51	18052902	SWING ARM COLLER				2
52	18054601	MOTOR FIXER				1
53	SS7060510SP	SCREW 3/32-56 L=4.8				2
54	18056903	SPROCKET B				1
55	SS8060210TP	SCREW				1
56	SM1032001SC	SCREW M3X0.5 L=20				2
57	WS0310702KS	SPRING WASHER				2
58	WP0320501SC	WASHER M3				2
59	NM6030001SC	NUT M3				2
60	SL4030681SC	SCREW M3 L=6				2
61	18052704	FELT				1
62	40084067	CLOTH EDGE SENSOR CORD 2 ASSY				1
63	40088157	MANIPULATOR MOUNTING BASE_B				1
64	40088146	UPPER_MANIPULATOR SHAFT				1
65	SS8110710SP	SCREW 11/64-40 L=6.5				2
66	B1161227000	RIVET				1
67	40088162	MANIPULATOR_SHAFT_METAL				2
68	CS080081CSH	THRUST COLLAR ASM. D=8.0 W=8				2
69	SS8110520TP	SCREW 11/64-40 L= 4.5		*		2
70	40088155	UPPER_MANIPULATOR_BASE				1
71	18055004	MANIPULATOR POSITIONING SHAFT				2
72	18069807	THRUST WASHER, A				1
73	18069203	THRUST WASHER, B				1
74	18069708	THRUST WASHER				1
75	18056101	SPRING				2
76	SD0641103TP	HINGE SCREW				1
77	HX00223000A	BUSHING				0.057
78	40096947	MAGNET_PLATE				1
79	SS6110630TP	SCREW 11/64-40 L=6				1
80	NS6110310SP	NUT 11/64-40				1
81	SS1110640TP	SCREW 11/64-40 L= 5.5				2
82	18055509	MANIPULATOR LEVER				1
83	SD0640321SP	HINGE SCREW D= 6.35 H= 3.2				1
84	18070854	SEAM ADJUST KNOB ASM.				1
85	18053603	SEAM ADJUST GEAR				1
86	18053801	RATCHET				1
87	18053900	SPRIG				1
88	18054403	COLLER				1
89	18071001	SHAFT RETAINER B				1
90	18059709	SHAFT RETAINER				1
91	SS7110710SP	SCREW 11/64-40 L=7				4
92	18071308	SENSOR STOPPER SHAFT				1
93	NS6110420SP	NUT 11/64-40				2
94	HX000930000	STAPLE, SMALL				1



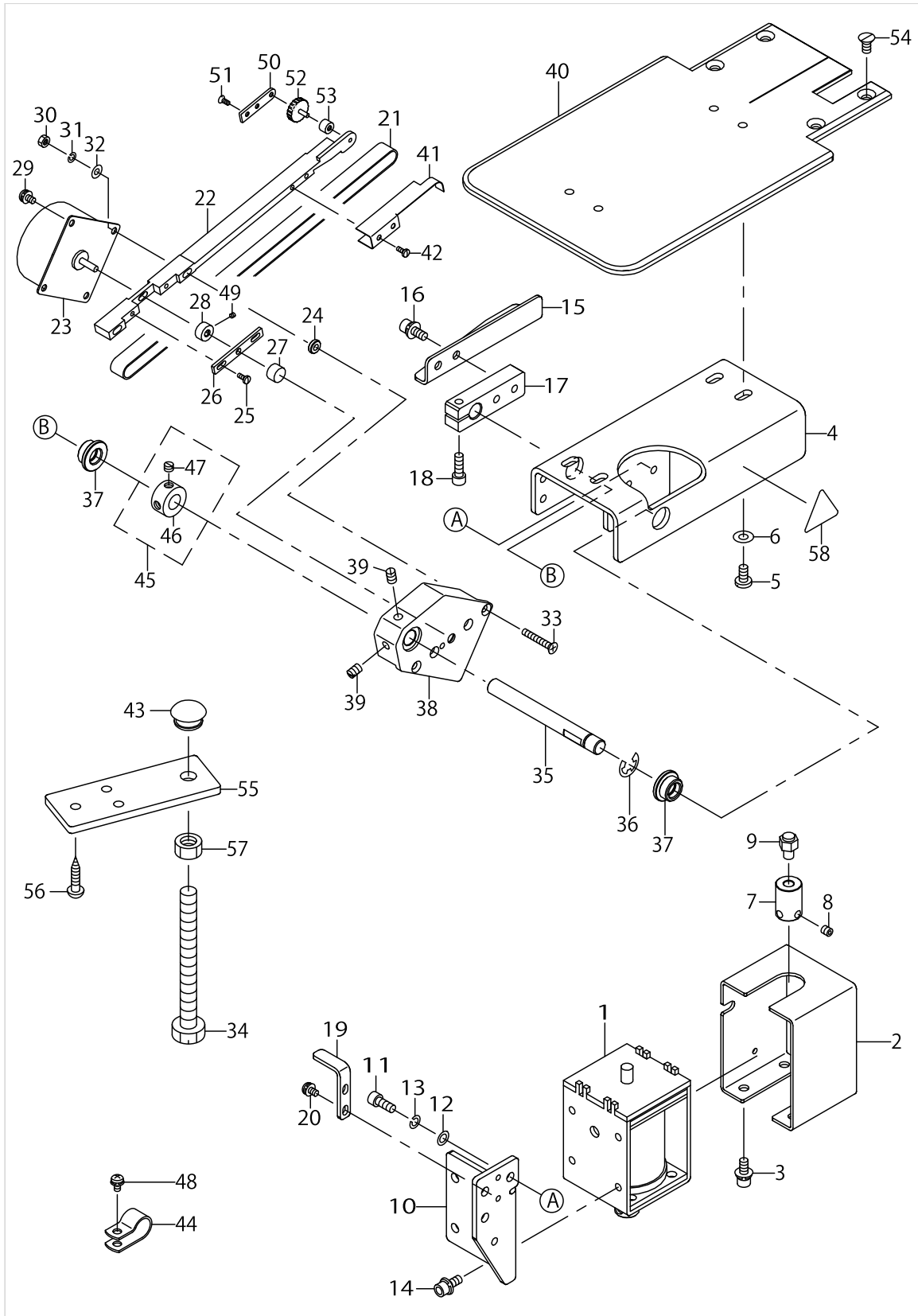
# UPPER MANIPULATOR COMPONENTS



UPPER MANIPULATOR COMPONENTS

No.	Parts No.	Parts name	Remarks	Level	Cons	Qty
95	E9608603000	STICKER (MIDDLE)				2
96	SM6040602TN	BOLT				2
97	40096948	MAGNET_CATCHER				1
98	SM1041400SP	SCREW				1
99	NM6040001SP	NUT M4X0.7				1
100	40096946	MAGNET				1

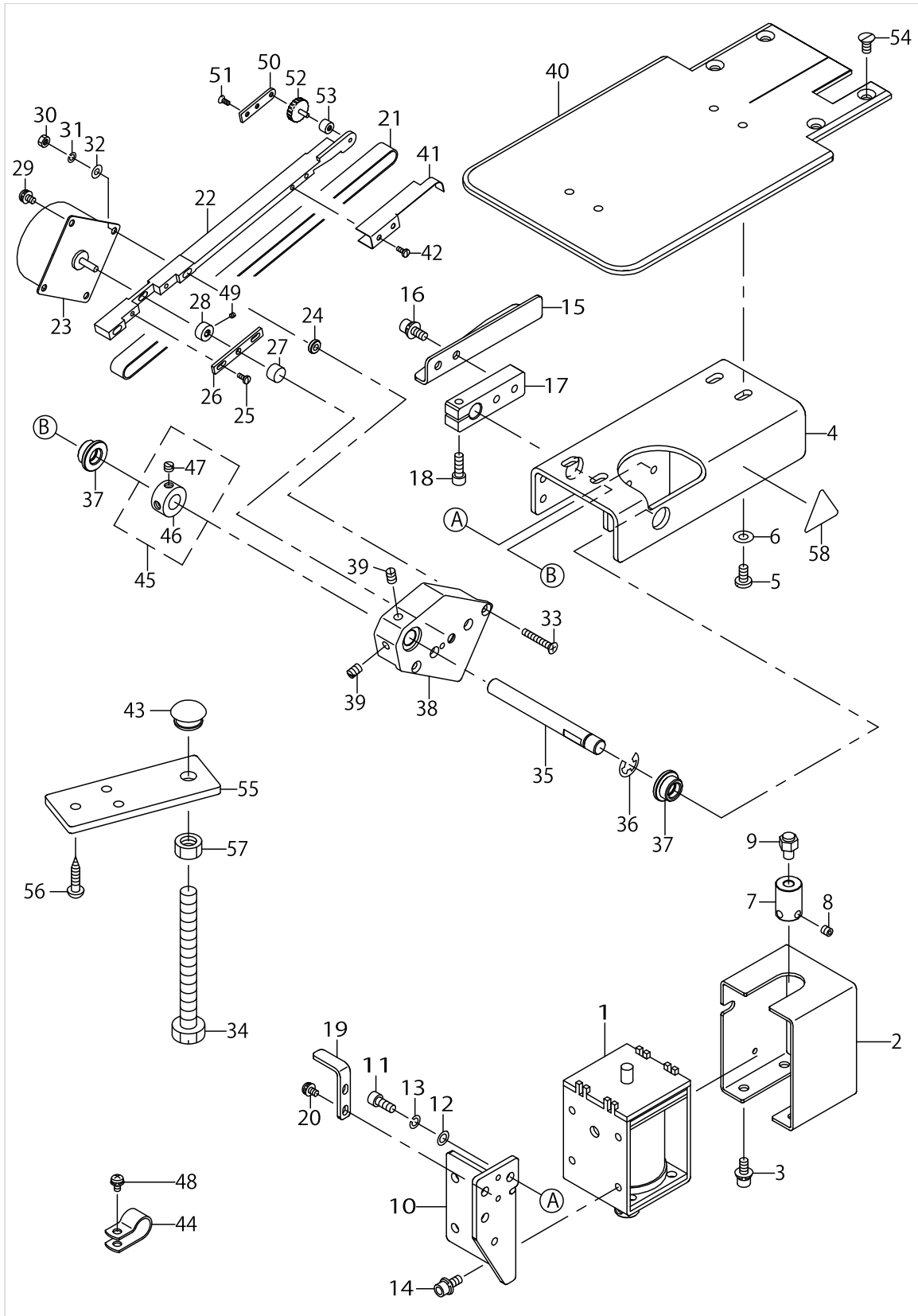
# LOWER MANIPULATOR COMPONENTS



LOWER MANIPULATOR COMPONENTS

No.	Parts No.	Parts name	Remarks	Level	Cons	Qty
1	40084098	MANIPULATOR SOLENOID				1
2	40088163	LOWER_SOLENOID_COVER_B				1
3	SL6041092TN	SCREW				4
4	40088209	LOWER_MANIPULATOR_BASE				1
5	SS7110740TP	SCREW 11/64-40 L=7				4
6	WP0450801SD	WASHER 4.5X10X0.8				4
7	40088158	SOLENOID_STOPPER_B				1
8	SM8040412TP	SET SCREW M4 L=4				2
9	40088204	STOPPER_PIN				1
10	40088159	SOLENOID_BRACKET_B				1
11	SM6041002TP	SCREW M4 L=10				3
12	WP0450846SP	WASHER				3
13	WS0410002KP	SPRING WASHER				3
14	SL6041092TN	SCREW				4
15	40088160	LOWER MANIPULATOR_LEVER_B				1
16	SL6041092TN	SCREW				2
17	40088153	MANIPULATOR_DRIVE_LEVER				1
18	SM6041202TP	SCREW M4X0.7 L=12				1
19	40088164	LOWER_MANIPULATOR_LEVER_B_STOP				1
20	SL4030681SC	SCREW M3 L=6				2
21	18059303	TIMING BELT				1
22	18054700	SWING ARM				1
23	40084099	MANIPULATOR_MOTOR				1
24	18052902	SWING ARM COLLER				2
25	SS7060510SP	SCREW 3/32-56 L=4.8				2
26	18054601	MOTOR FIXER				1
27	18052704	FELT				1
28	18056903	SPROCKET B				1
29	SL4030681SC	SCREW M3 L=6				2
30	NM6030001SC	NUT M3				2
31	WS0310702KS	SPRING WASHER				2
32	WP0320501SC	WASHER M3				2
33	SM1032001SC	SCREW M3X0.5 L=20				2
34	SM9088013SE	SCREW M8 L=80				1
35	40088161	LOWER_MANIPULATOR_SHAFT				1
36	RE0600000K0	E-RING 6				1
37	40088162	MANIPULATOR_SHAFT_METAL				2
38	40088157	MANIPULATOR MOUNTING BASE_B				1
39	SS8110710SP	SCREW 11/64-40 L=6.5				2
40	40088165	LOWER MANIPULATOR BASE				1
41	40088221	LOWER CONTROL ROLLER COVER				1
42	SS7060510SP	SCREW 3/32-56 L=4.8				2
43	TA1250705R0	RUBBER PLUG				1
44	HX00150000D	CABLE CLIP				1
45	CS080081ASH	THRUST HOLDER ASM. D=8 W=8				1
46	CS0800816SH	THRUST HOLDER D=8 W=8		*		1
47	SS8110320SP	SCREW 11/64-40 L= 3.2		*		2

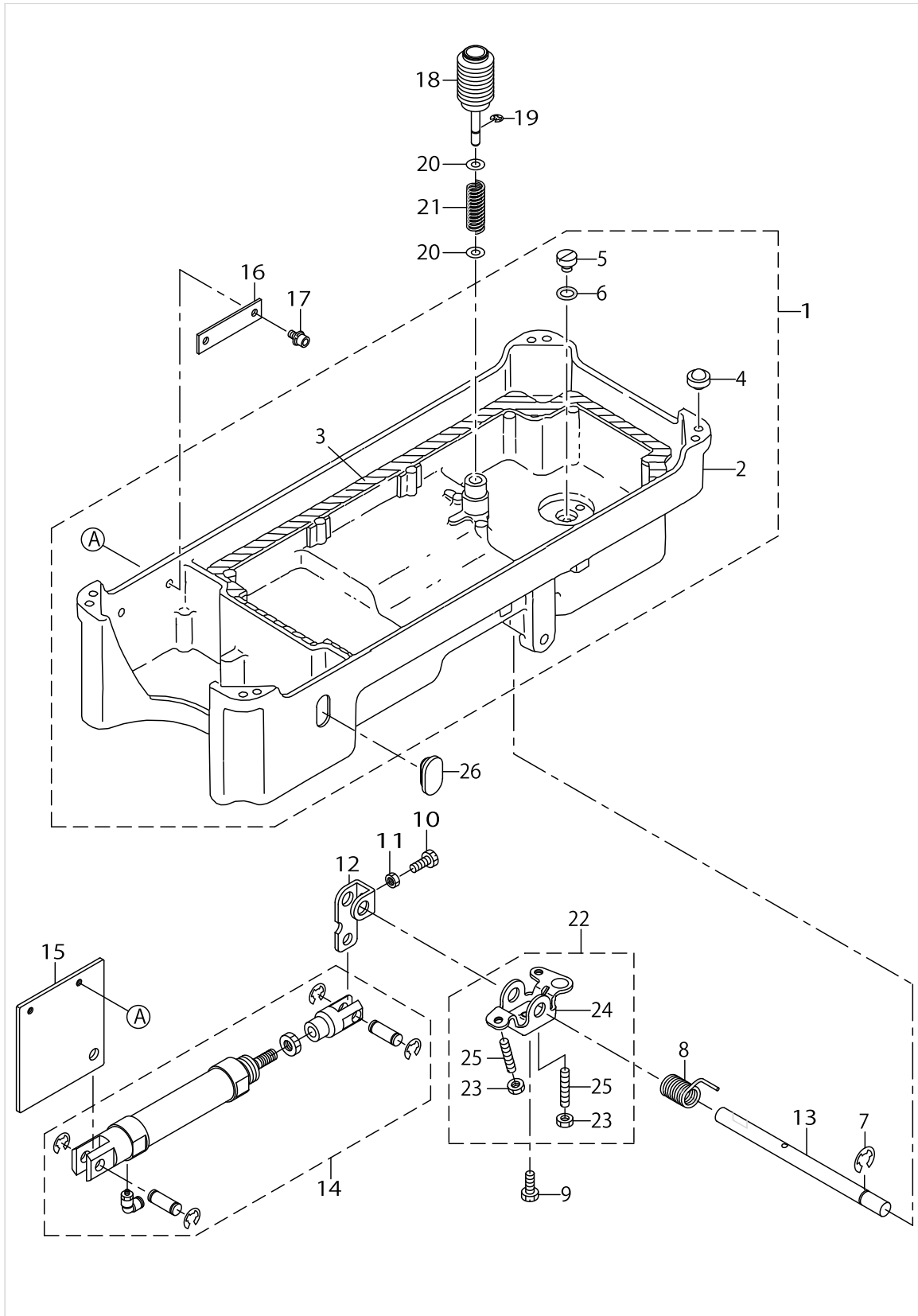
LOWER MANIPULATOR COMPONENTS



LOWER MANIPULATOR COMPONENTS

No.	Parts No.	Parts name	Remarks	Level	Cons	Qty
48	SL4030691SC	SCREW M3X6				1
49	SS8060210TP	SCREW				1
50	18065805	SUPPORT PLATE				1
51	SS2060510SP	SCREW 3/32-56 L=4.5				2
52	18054205	CONTROL ROLLER				1
53	18056804	SPROCKET A				1
54	SS1110840SP	SCREW 11/64-40 L=8				4
55	18059501	LOWER MANIPULATOR BASE				1
56	SK3412001SE	WOOD SCREW D=4.1 L=20				3
57	NM6080001SC	NUT M8X1.25				1
58	CM300200002	CAUTION LABEL(25)				1

AUTOMATIC PRESSER LIFTER COMPONENTS

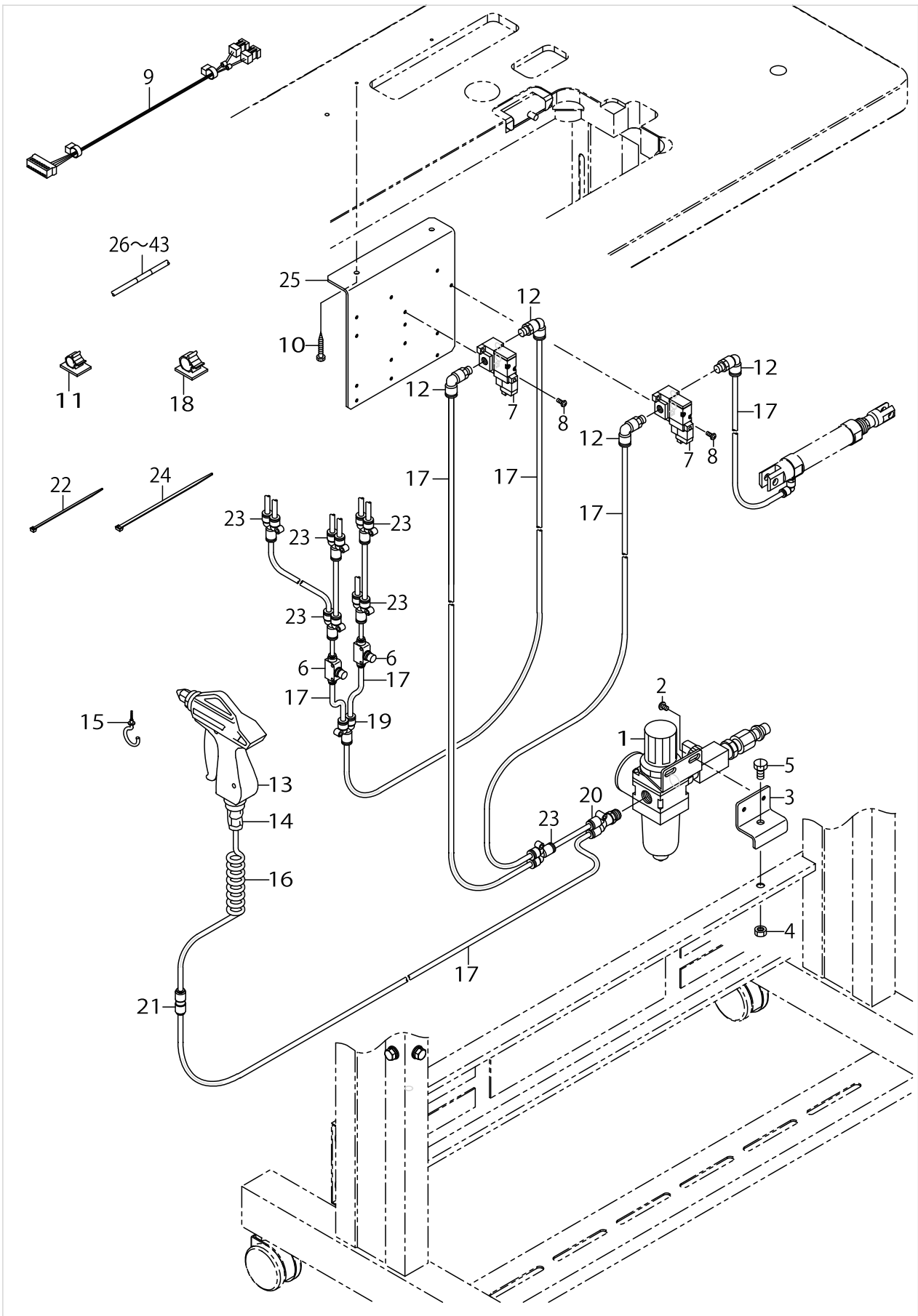


AUTOMATIC PRESSER LIFTER COMPONENTS

No.	Parts No.	Parts name	Remarks	Level	Cons	Qty
1	40088651	OIL PAN ASM				1
2	40088190	OIL PAN		*		1
3	11024700	GASKET		*		1
4	11047107	RUBBER CUSHION		*		4
5	SS6700710SH	SCREW 5/16-24 L=7		*		1
6	RO098240100	RUBBER RING		*		1
7	RE1000000K0	E-RING 10				1
8	22932206	SPRING				1
9	SM9061853SR	SCREW M6 L=17.5				1
10	SS9151540SR	SCREW 15/64-28 L=15				1
11	NS6150430SR	NUT 15/64-28				1
12	GAK53002000	LEVER				1
13	GAK39007000	KNEE PRESS ROD				1
14	PA2002510A0	AIR CYLINDER ASM.				1
15	GAK53001000	CYLINDER PLATE				1
16	GAK39005000	WASHER				1
17	SL6051092TN	BOLT				2
18	GAK300010B0	KNEE PRESS LIFTER ROD ASM.				1
19	RE0400000K0	E-RING 4				1
20	WP0621016SD	WASHER 6.2X13X1				2
21	GAK30005000	SPRING				1
22	22932156	KNEE LIFTER ROTATION ARM ASM.				1
23	NM6060001SE	NUT M6		*		2
24	22932107	KNEE LIFTING ROTATING ARM		*		1
25	SM8063012TR	SCREW M6 L=30		*		2
26	40028877	FACE_COVER_CAP				1



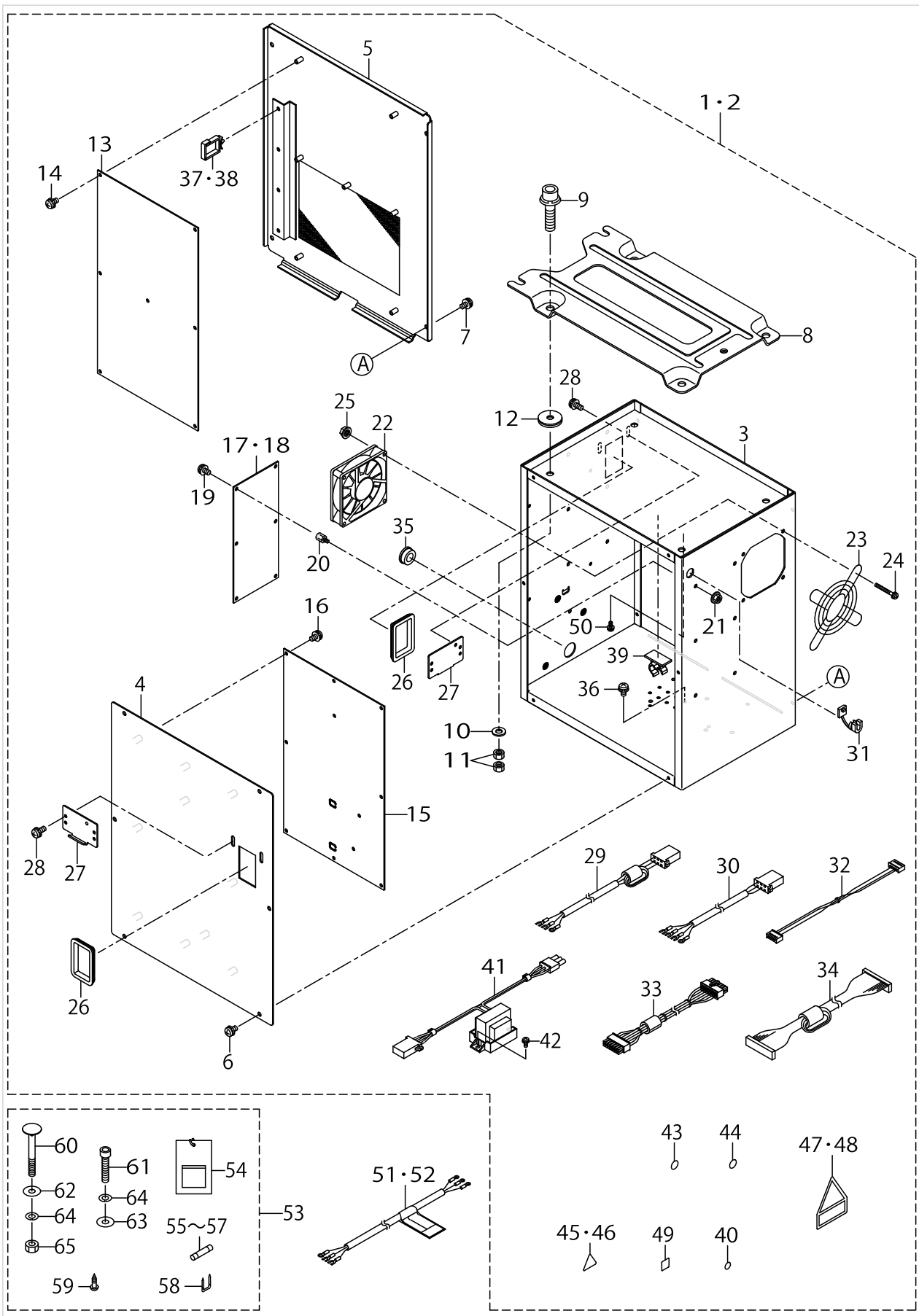
AIR COMPONENTS



AIR COMPONENTS

No.	Parts No.	Parts name	Remarks	Level	Cons	Qty
1	40088208	FILTER_REGULATOR_ASSY				1
2	SM4050801SC	SCREW M5X0.8 L=8				2
3	40023662	FILTER INSTALLING PLATE				1
4	NM6080721SE	NUT M8				1
5	SM9081620SE	SCREW M8 L=16				1
6	PC012601000	SPEED CONTROLLER				2
7	PV1351280A0	3-PORT SOLENOID VALVE				2
8	SM4041001SN	SCREW M4X0.7 L=10				4
9	40084066	VALVE CORD 1 ASSY				1
10	ST9053511SR	TAPPING SCREW M5X35				2
11	E9608603000	STICKER (MIDDLE)				1
12	PJ304065101	ELBOW UNION 6XPT1/8				4
13	40044823	AIR_GUN				1
14	PJ301065201	HALF UNION 6XPT1/4				1
15	MAT81163T00	CORD HOLDER				1
16	GSS36020000	COIL TUBE				1
17	BT0600401EB	TUBE				10
18	E9609603000	STICKER (LARGE)				2
19	PJ308060003	Y UNION				1
20	PJ308065202	Y-UNION				1
21	PJ303060001	STRAIGHT UNION				1
22	EA9500B0100	CABLE BAND				10
23	PJ308060004	Y UNION				6
24	EA9500B0200	CABLE BAND 150				10
25	40088188	VALVE_PANEL				1
26	18036608	WIRE MARK (17)				4
27	18036707	WIRE MARK (18)				5
28	18035006	CABLE MARK NO.1				2
29	18035105	WIRE MARK (2)				4
30	18035204	WIRE MARK (3)				4
31	18035303	WIRE MARK (4)				4
32	18035402	WIRE MARK (5)				4
33	18035501	WIRE MARK (6)				6
34	18035600	WIRE MARK (7)				4
35	18035709	WIRE MARK (8)				2
36	18035808	WIRE MARK (9)				2
37	18035907	WIRE MARK (10)				2
38	18036004	WIRE MARK (11)				4
39	18036103	WIRE MARK (12)				4
40	18036202	WIRE MARK (13)				4
41	18036301	WIRE MARK (14)				4
42	18036400	WIRE MARK (15)				4
43	18036509	WIRE MARK (16)				4

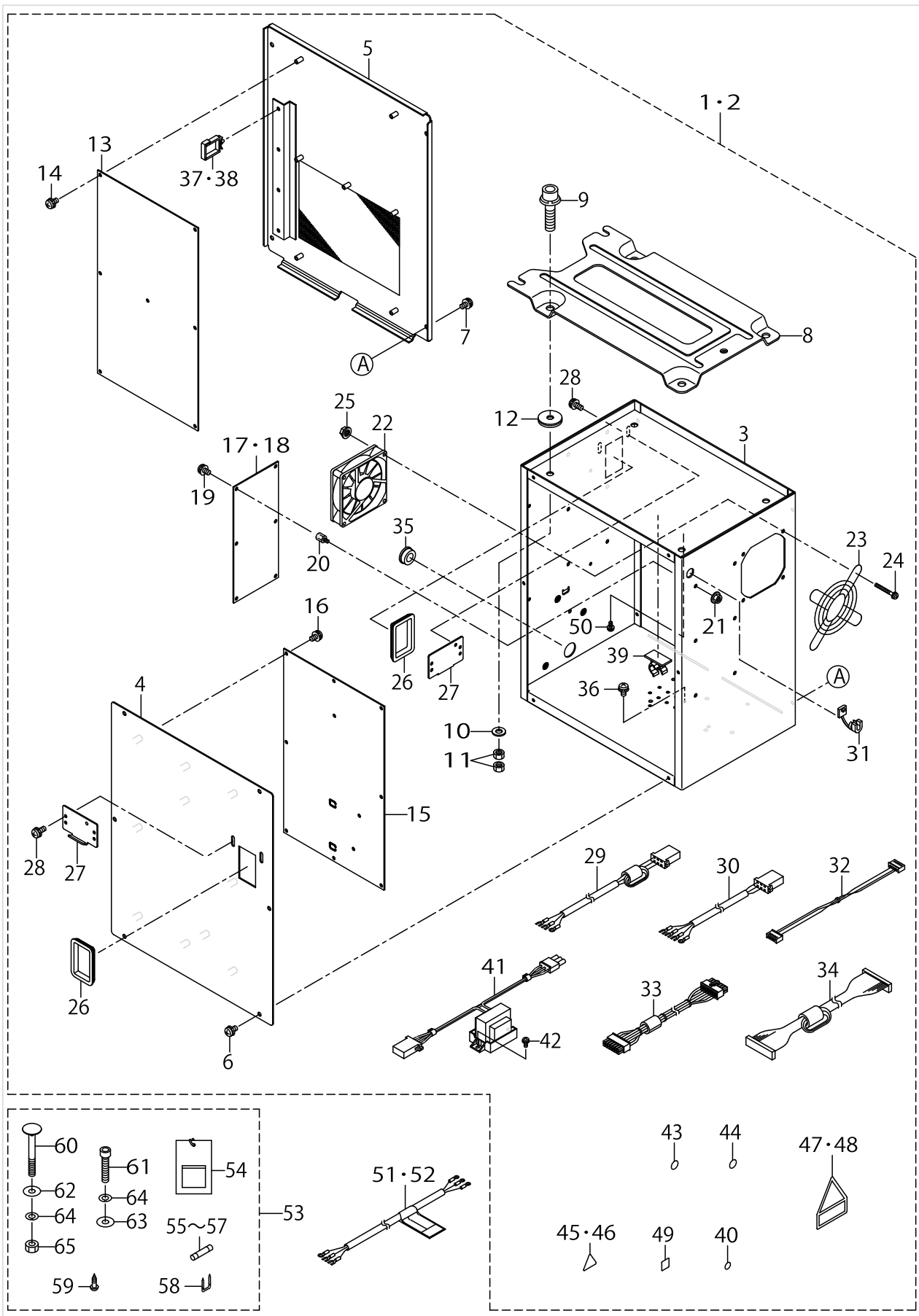
CONTROL BOX COMPONENTS



CONTROL BOX COMPONENTS

No.	Parts No.	Parts name	Remarks	Level	Cons	Qty
1	40084096	BOX A 1P	FOR 1-PHASE 220~240V GENERAL EXPORT (CE)			1
2	40084097	BOX B 3P	FOR 3-PHASE 200~220V USE IN JAPAN,EXPORT			1
3	40055355	CONTROL BOX		*		1
4	40084094	CONTROL BOX FRONT COVER		*		1
5	40055357	CONTROL BOX REAR COVER		*		1
6	SL4040891SC	SCREW M4 L=8		*		6
7	SL4040891SC	SCREW M4 L=8		*		4
8	M3801476000	CONTROL BOX FITTING PLATE		*		1
9	SL6083092TN	SCREW		*		4
10	WP0841601SC	WASHER 8.4X17.4X1.6		*		4
11	NM6080001SC	NUT M8X1.25		*		8
12	M4206461000	WASHER		*		4
13	40084041	MAIN PCB A ASSY		*		1
14	SL4040881SC	SCREW M4 L=8		*		7
15	40000029	SDC PCB A ASS'Y		*		1
16	SL4040881SC	SCREW M4 L=8		*		10
17	40000046	FLT-S PCB A ASS'Y	FOR 1-PHASE 220~240V GENERAL EXPORT (CE)	*		1
18	40000056	FLT-T PCB A ASS'Y	FOR 3-PHASE 200~220V USE IN JAPAN,EXPORT	*		1
19	SL4040881SC	SCREW M4 L=8		*		6
20	HX003390000	STUD		*		6
21	NM3040520SC	NUT M4		*		6
22	40005401	FAN MOTOR ASS'Y		*		1
23	HM000480010	FINGER GUARD		*		1
24	SL4043591SC	SCREW		*		4
25	NM3040520SC	NUT M4		*		4
26	HX004070000	BUSH		*		2
27	17845009	CORD FITTING PLATE		*		2
28	SL4041091SC	SCREW M4 L=10		*		4
29	40091945	POWER CORD 1P ASSY	FOR 1-PHASE 220~240V GENERAL EXPORT (CE)	*		1
30	40084079	POWER CORD 3P ASSY	FOR 3-PHASE 200~220V USE IN JAPAN,EXPORT	*		1
31	HX00410000A	STRAIN RELIEF BUSHING		*		1
32	40005394	FLT-SDC CORD S ASS'Y		*		1
33	40091271	SDC-MAIN CORD P ASSY		*		1
34	40082736	SDC-MAIN CORD S ASSY		*		1
35	HX00326000K	CABLE BAND		*		1
36	SL4040891SC	SCREW M4 L=8		*		2
37	HX005110000	WIRE SADDLE	FOR 1-PHASE 220~240V GENERAL EXPORT (CE)	*		4
38	HX005110000	WIRE SADDLE	FOR 3-PHASE 200~220V USE IN JAPAN,EXPORT	*		3
39	KX000000330	WIRE SADDLE		*		1
40	E9567319000	EARTH MARK		*		1
41	40012038	REACTOR CORD ASSY		*		1
42	SL4041091SC	SCREW M4 L=10		*		2
43	40003458	MASK SEAL		*		16
44	CM200100001	PE MARK LABEL		*		1

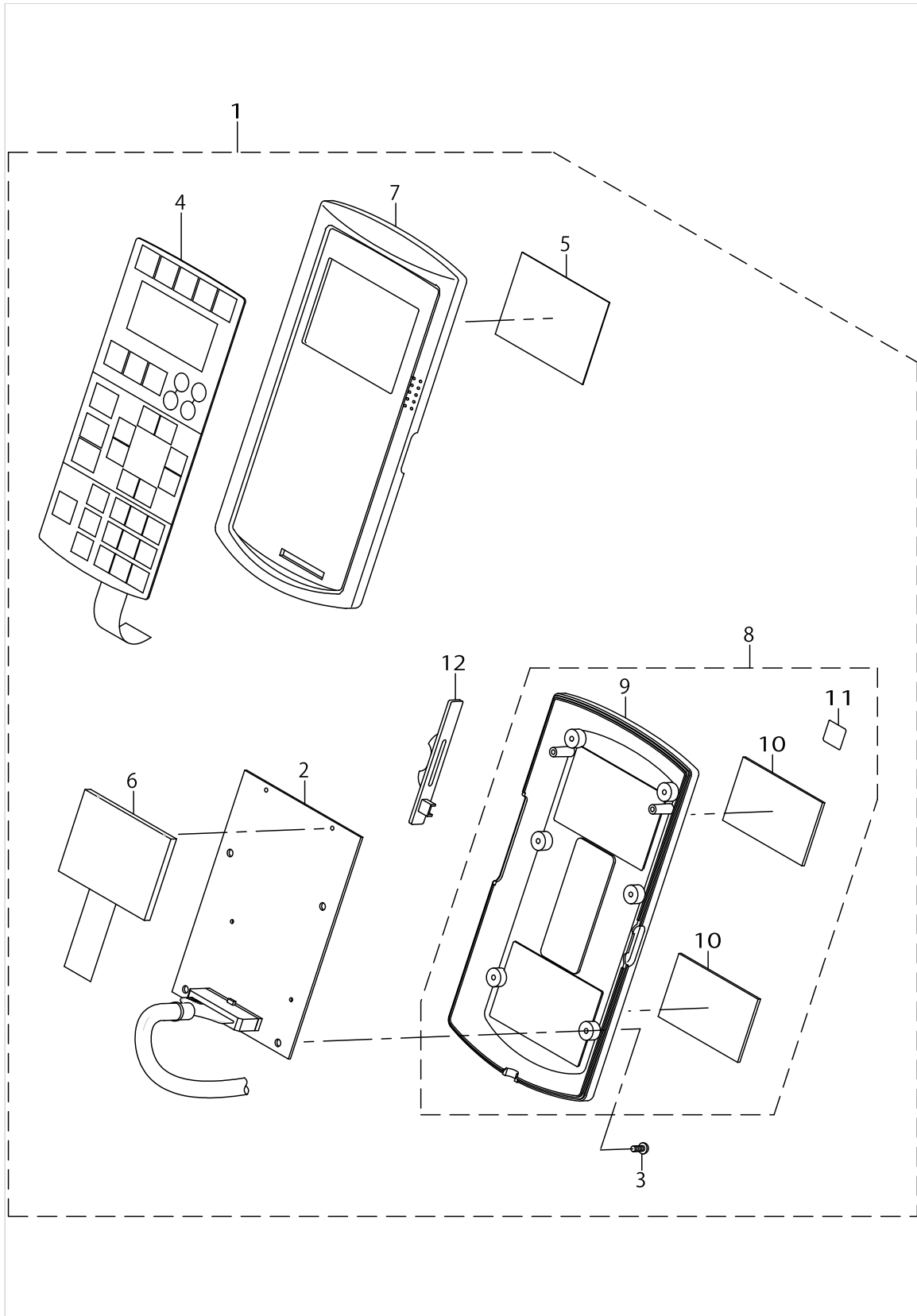
CONTROL BOX COMPONENTS



CONTROL BOX COMPONENTS

No.	Parts No.	Parts name	Remarks	Level	Cons	Qty
45	CM300100003	VOLTAGE WARNING LABEL(25)	FOR 1-PHASE 220~240V GENERAL EXPORT (CE)	*		1
46	CM300100401	LABEL 3 (LARGE)	FOR 3-PHASE 200~220V USE IN JAPAN,EXPORT	*		1
47	CM300400601	VOLTAGE CAUTION LABEL		*		1
48	CM300400701	VOLTAGE CAUTION LABEL		*		1
49	CM600100101	WEEE MARK LABEL S		*		1
50	SL4041081SC	SCREW M4 L=10		*		1
51	40058397	AC POWER CORD B ASM	FOR 1-PHASE 220~240V GENERAL EXPORT (CE)			1
52	40058398	AC POWER CORD C ASM	FOR 3-PHASE 200~220V USE IN JAPAN,EXPORT			1
53	40084058	OPTION A ASSY				1
54	M300451100A	VOLTAGE INDICATION CARD,A		*		1
55	HF00130315S	FUSE 3.15A 250V REF. NO.112		*		1
56	HF003000200	FUSE 2A (220/240V)		*		1
57	HF0013050P0	FUSE 5A		*		1
58	MAO11532000	CORD STAPLE		*		3
59	SK3512001SE	WOOD SCREW D=5.1 L=20		*		2
60	MTSHJ100003	BOLT		*		2
61	SM6084002TN	SCREW M8 L=40		*		1
62	WP0852086SC	WASHER M8		*		2
63	WP0841601SC	WASHER 8.4X17.4X1.6		*		1
64	WS0820002KR	SPRING WASHER, M8		*		3
65	NM6080002SC	NUT M8		*		2

OPERATION PANEL COMPONENTS

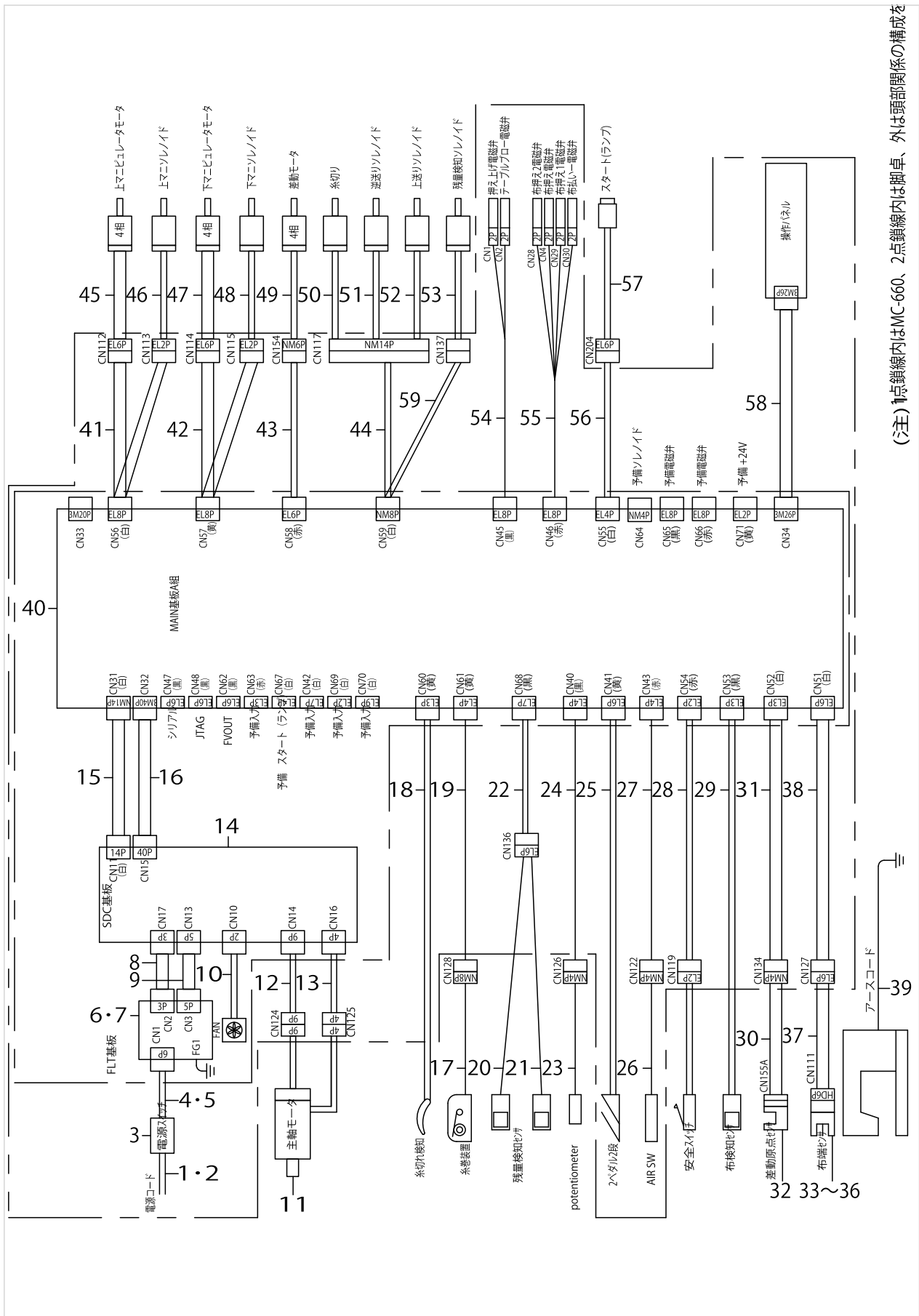


OPERATION PANEL COMPONENTS

No.	Parts No.	Parts name	Remarks	Level	Cons	Qty
1	40084095	OPERATION PANEL ASSY				1
2	40084092	PANEL PCB AE ASSY		*		1
3	ST4031051SN	TAPPING SCREW D=3-24 L=10		*		6
4	40084093	PANEL SHEET A		*		1
5	40003462	LCD SHEET		*		1
6	40077469	LCD_MODULE		*		1
7	40003464	OPERATION BOX UPPER CASE		*		1
8	M10315800A0	OPERATION BOX LOWER CASE ASM.		*		1
9	M1031580000	OPERATION BOX LOWER CASE		*		1
10	M1011580000	MAGNET SHEET		*		2
11	CM600100101	WEEE MARK LABEL S		*		1
12	M1032580000	VOLUME TONGUE		*		1



WIRING DIAGRAM

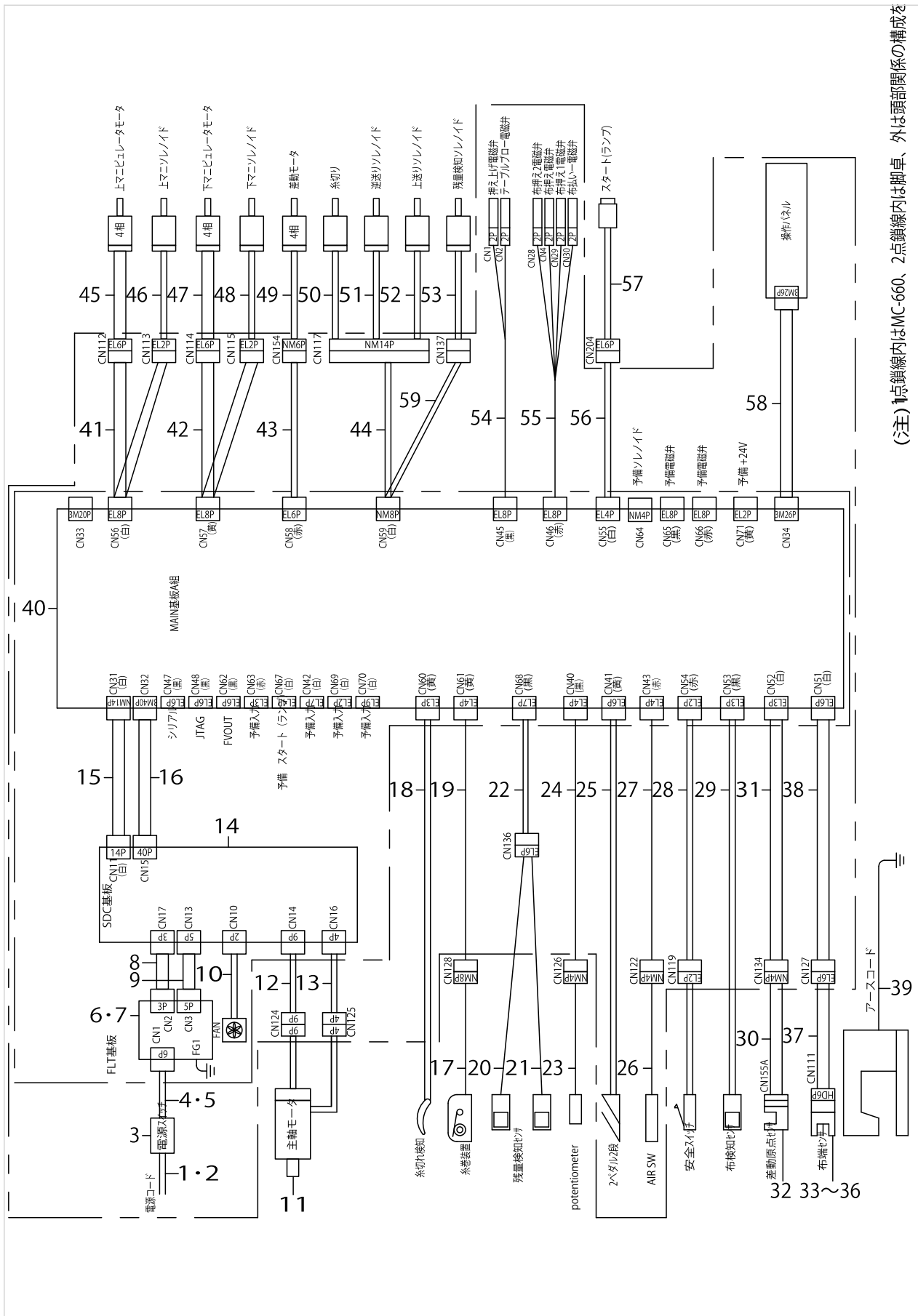


(注)1点鎖線内はMC-660、2点鎖線内は脚卓、外は頭部関係の構成を

WIRING DIAGRAM

No.	Parts No.	Parts name	Remarks	Level	Cons	Qty
1	40058397	AC POWER CORD B ASM	FOR 1-PHASE 220~240V GENERAL EXPORT (CE)			1
2	40058398	AC POWER CORD C ASM	FOR 3-PHASE 200~220V USE IN JAPAN,EXPORT			1
3	HA005820000	SWITCH				1
4	40091945	POWER CORD 1P ASSY	FOR 1-PHASE 220~240V GENERAL EXPORT (CE)			1
5	40084079	POWER CORD 3P ASSY	FOR 3-PHASE 200~220V USE IN JAPAN,EXPORT			1
6	40000046	FLT-S PCB A ASS'Y	FOR 1-PHASE 220~240V GENERAL EXPORT (CE)			1
7	40000056	FLT-T PCB A ASS'Y	FOR 3-PHASE 200~220V USE IN JAPAN,EXPORT			1
8	40012038	REACTOR CORD ASSY				1
9	40005394	FLT-SDC CORD S ASS'Y				1
10	40005401	FAN MOTOR ASS'Y				1
11	40050265	AC_SERVO_MOTOR				1
12	40084084	SERVO MOTOR ENCODER RELAY CORD				1
13	40084083	SERVO MOTOR RELAY CORD ASSY				1
14	40000029	SDC PCB A ASS'Y				1
15	40091271	SDC-MAIN CORD P ASSY				1
16	40082736	SDC-MAIN CORD S ASSY				1
17	13870258	BOBBIN THREAD WIDING DEVICE				1
18	40084061	THB SENSOR CORD ASSY				1
19	40084086	BOBBIN WINDER CORD ASSY				1
20	40090488	PROXIMITY SENSOR ASSY				1
21	40090489	PROXIMITY SENSOR ASSY				1
22	40084059	LOWER THREAD SENSOR CORD ASSY				1
23	11281300	POTENTIOMETER				1
24	40084080	POTENTIOMETER CORD ASSY				1
25	40084064	PEDAL SWITCH ASM				1
26	40088208	FILTER_REGULATOR_ASSY				1
27	40084081	AIR SWITCH CORD ASSY				1
28	40084074	SAFETY SW CORD ASSY				1
29	40084075	CLOTH DETECTOR ASSY				1
30	11281557	TRUNK CORD ASM.				1
31	40084076	DIFFERENTIAL POSITION CORD ASSY				1
32	HD000570000	SENSOR				1
33	40084100	EDGE SENSOR 4/2	TYPE 4/2			1
34	40084101	EDGE SENSOR 4/4	TYPE 4/4			1
35	40084102	EDGE SENSOR 2/2	TYPE 2/2			1
36	40084103	EDGE SENSOR 4/2-3	TYPE 4/2-3			1
37	40084067	CLOTH EDGE SENSOR CORD 2 ASSY				1
38	40084085	CLOTH EDGE SENSOR CORD 1 ASSY				1
39	40090869	EARTH CORD ASSY				1
40	40084041	MAIN PCB A ASSY				1
41	40084070	UPPER_MANI CORD ASSY				1
42	40084069	LOWER_MANI CORD ASSY				1
43	40084077	DIFFERENTIAL MOTOR CORD ASSY				1
44	40084071	SOLENOID CORD ASSY				1

WIRING DIAGRAM

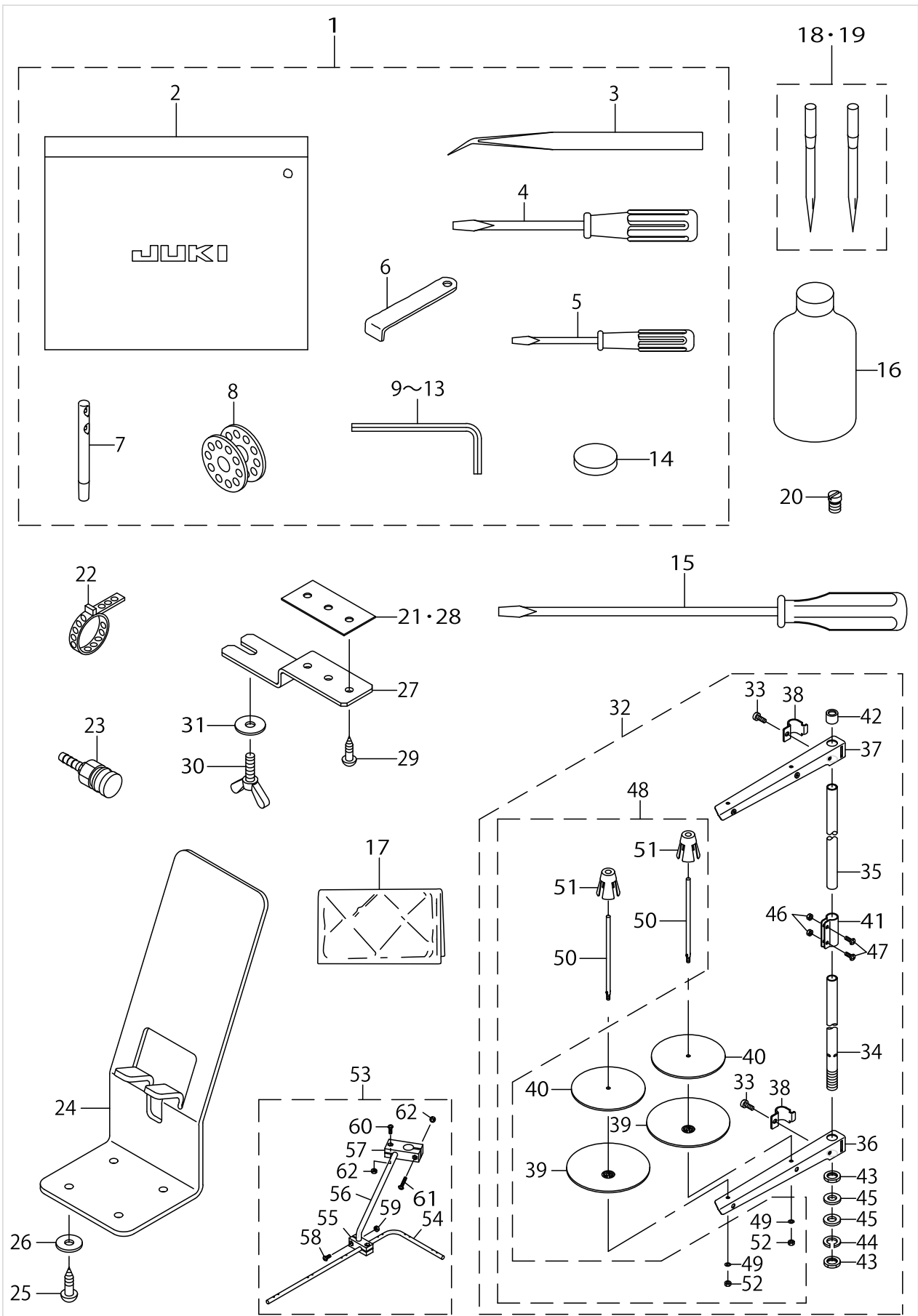


(注)1点鎖線内はMC-660、2点鎖線内は脚卓、外は頭部関係の構成を

WIRING DIAGRAM

No.	Parts No.	Parts name	Remarks	Level	Cons	Qty
45	40084099	MANIPULATOR_MOTOR				1
46	40084098	MANIPULATOR SOLENOID				1
47	40084099	MANIPULATOR_MOTOR				1
48	40084098	MANIPULATOR SOLENOID				1
49	11281458	STEPPING MOTOR				1
50	11043908	THREAD TRIMMER SOLENOID				1
51	11228459	SOLENOID INSTALLING BASE ASM.				1
52	11281656	SOLENOID ASM.				1
53	40084091	ROTARY SOLENOID ASSY				1
54	40084066	VALVE CORD 1 ASSY				1
55	40084082	VALVE CORD 2 ASSY				1
56	40084073	START SWITCH CORD ASSY				1
57	40014098	OPTION_SWITCH_ASSY				1
58	40084095	OPERATION PANEL ASSY				1
59	40091087	SOLENOID EXTENSION CORD ASSY				1

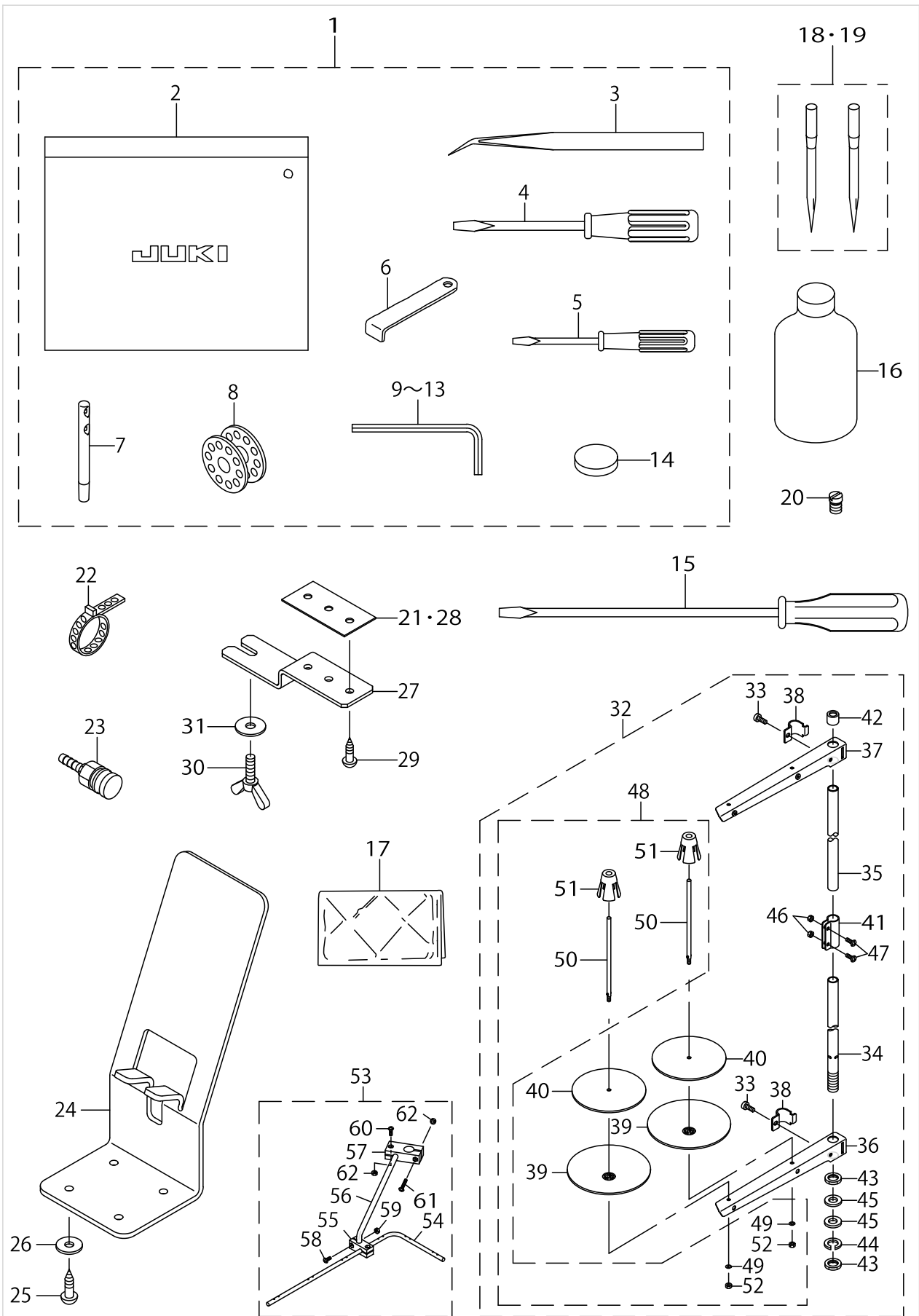
ACCESSORIE PART COMPONENTS



ACCESSORIE PART COMPONENTS

No.	Parts No.	Parts name	Remarks	Level	Cons	Qty
1	40088641	ACCESSORIES BAG ASM				1
2	22932800	ACCESSORIE BAG		*		1
3	12288403	TWEEZERS		*		1
4	22933105	SCREW DRIVER,MIDDLE		*		1
5	22933204	SCREW DRIVER,SMALL		*		1
6	B9101490000	DRIVER		*		1
7	22958300	NEEDLE THREAD GUIDE PIN		*		1
8	22932909	BOBBIN		*		1
9	GCT02906000	HEXAGONAL SPANNER		*		1
10	B9140372000	HEXAGONAL WRENCH, SMALL		*		1
11	B9141372000	HEXAGONAL WRENCH, LARGE		*		1
12	12455705	HEXAGONAL WRENCH, 2.5		*		1
13	J106600000B	HEXAGONAL WRENCH KEY (2MM)		*		1
14	B8228125000	OIL RESERVOIR MAGNET		*		1
15	22933006	SCREW DRIVER,LARGE				1
16	MDFRX1600C0	DEFRIX OIL NO.1(600CC)				1
17	22933303	VINYL COVER				1
18	MDB100B1102	NEEDLE DBX1#11-2				1
19	MC200500752	134 #75-2	FOR JE			1
20	B1191490000	SCREW				1
21	16193203	SPACER				1
22	PB000010000	HOSE BAND				1
23	PJ309520001	SOCKET				1
24	40088189	PANEL_PLATE				1
25	SK3512001SE	WOOD SCREW D=5.1 L=20				4
26	WP0561616SC	WASHER 5.6X16X1.6				4
27	40088184	INSTALLING_PLATE				2
28	16193005	SPACER				2
29	SK3451601SE	WOOD SCREW D=4.5 L=16				6
30	16187007	WING BOLT				2
31	WP0651646SC	WASHER				2
32	22930358	THREAD STAND ASM.				1
33	SM6061610SC	SCREW M6 L=16		*		2
34	22930309	SPOOL REST ROD, LOWER		*		1
35	22930408	SPOOL REST ROD, UPPER		*		1
36	22930507	SPOOL REST ARM		*		1
37	22930556	THREAD STANDING ARM ASM.		*		1
38	22930705	THREAD GUIDE ARM JOINT		*		2
39	22930804	SPOOL REST		*		2
40	22930903	SPOOL REST CUSHION		*		2
41	22931307	SPOOL REST ROD JOINT		*		1
42	22931406	SPOOL REST ROD RUBBER CAP		*		1
43	NM6160511SE	NUT M16X1.5		*		2
44	WS1643202KR	SPRING WASHER		*		1
45	WP1612616SE	WASHER 16X30X2.6		*		2
46	NM6050001SE	NUT M5		*		2
47	SM4051405SE	SCREW M5 L=14		*		2

ACCESSORIE PART COMPONENTS

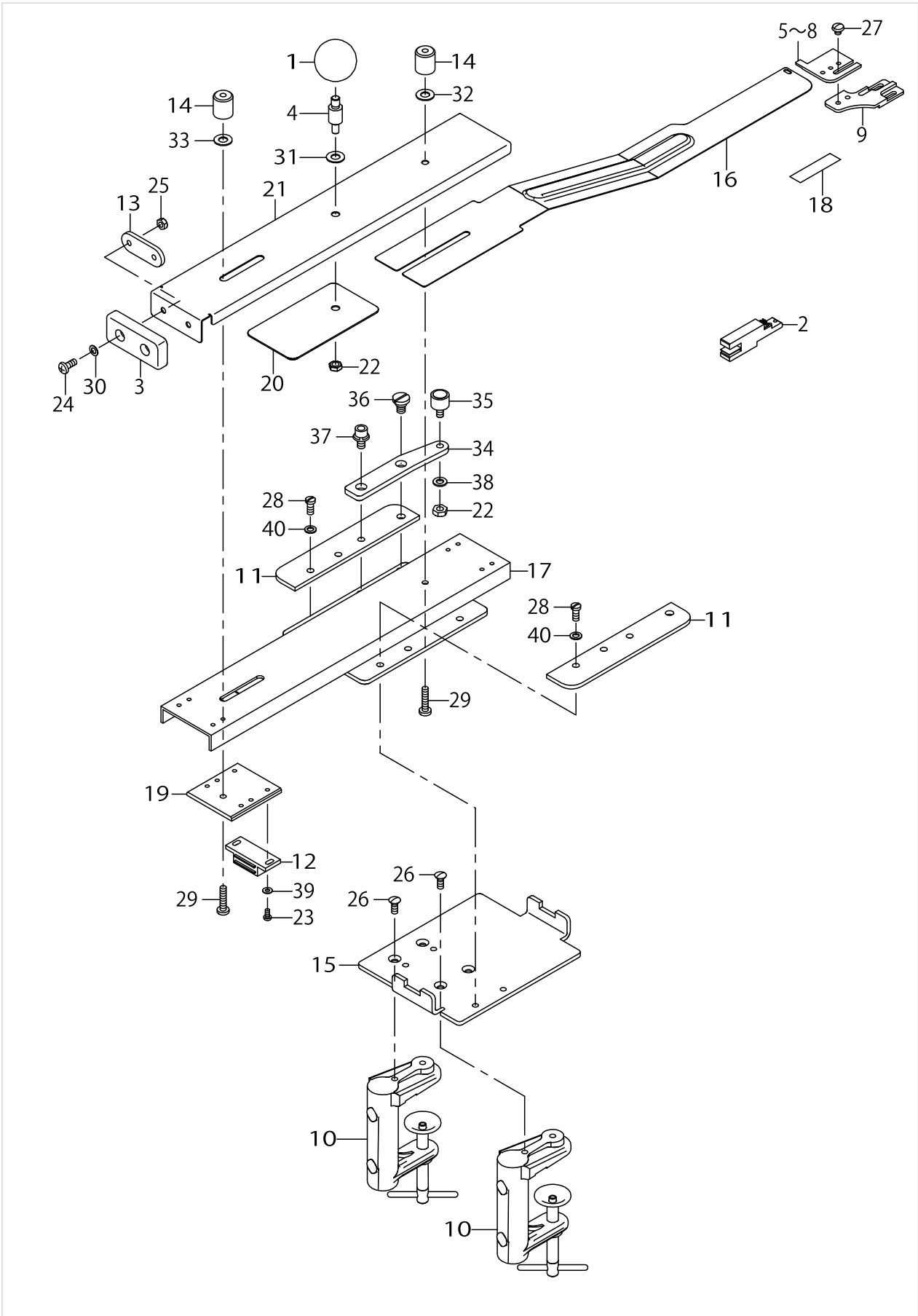


ACCESSORIE PART COMPONENTS

No.	Parts No.	Parts name	Remarks	Level	Cons	Qty
48	40062684	SPOOL PIN ASM.		*		1
49	WS0510002KN	SPRING WASHER		*		2
50	22931000	SPOOL PIN		*		2
51	22931109	SPOOL RETAINER		*		2
52	NM6050001SE	NUT M5		*		2
53	26910059	THREAD GUIDE ARM ASM.				1
54	13167903	THREAD STANDING THREAD GUIDE		*		1
55	13168000	THREAD GUIDE BASE, LOWER		*		1
56	13168109	THREAD GUIDE ARM BASE		*		1
57	13168208	THREAD GUIDE ARM BASE		*		1
58	SM4041001SC	SCREW M4X0.7 L=10		*		2
59	NM6040002SE	NUT M4X0.7		*		2
60	SM4041201SC	SCREW M4 L=12		*		1
61	SM4042001SC	SCREW M4 X 20		*		1
62	NM6040002SE	NUT M4X0.7		*		2



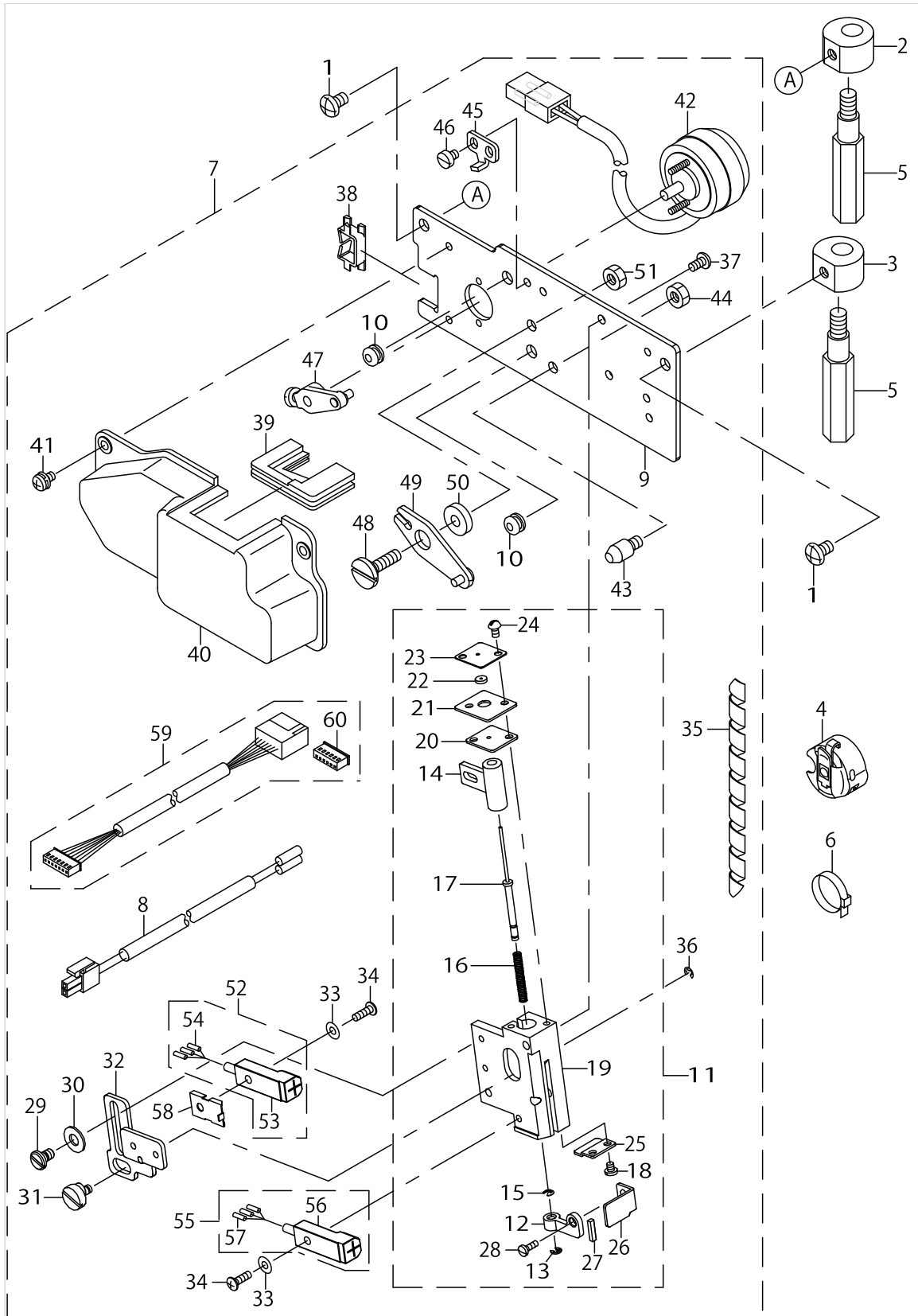
PIN TUCK COMPONENTS



PIN TUCK COMPONENTS

No.	Parts No.	Parts name	Remarks	Level	Cons	Qty
1	B1564777000	PRESSER LATCH LEVER BLOCK				1
2	40084103	EDGE SENSOR 4/2-3				1
3	GET04102000	RUBBER CAP				1
4	MAS05507000	HINGE STUD				1
5	40088194	TUCK_GAUGE_S				1
6	40088195	TUCK_GAUGE_A				1
7	40088196	TUCK_GAUGE_B				1
8	40088197	TUCK_GAUGE_C				1
9	40088198	GUIDE_BASE_PLATE				1
10	MAS059010A0	MOUNTING BASE ASM.				2
11	40088199	SLIDE_RAIL_COVER				2
12	MAS05905000	MAGNET				1
13	MAS05910000	CAP SUPPORT PLATE				1
14	MAS05926000	KNOB				2
15	40088200	PIN-TUCK STOPPER				1
16	40088216	GAUGE PLATE				1
17	40088201	SLIDE_RAIL				1
18	MAS15505000	SCALE PLATE				2
19	40088175	MAGNET_INSTALLING_PLATE				1
20	MAS15507000	LINER				1
21	40088202	PIN_TUCK_COVER				1
22	NM6050003SC	NUT M5X0.8				1
23	SM4030601SN	SCREW M3 X 6				2
24	SM4041055SP	SCREW				2
25	NM6040001SP	NUT M4X0.7				2
26	SS2111010TP	SCREW 11/64-40 L=9.5				4
27	SS5090420SP	SCREW 9/64-40 L=3.5				2
28	SS7111120TP	SCREW				4
29	SS7111810TP	SCREW 11/64-40 L=18				2
30	WP0450000SD	WASHER 4.5X8X0.5				2
31	WP0612066SP	WASHER 6.1X11X2				1
32	WP0612516SD	WASHER 6.1X15.2X2.5				1
33	WP0650876SD	WASHER 6.5X13X0.8				1
34	40088203	CAM_FOLLOWER_INSTALLING_PLATE				1
35	40027870	CAM FOLLOWER				1
36	SD0800337TP	SHOULDER SCREW				1
37	SL6051092TN	BOLT				1
38	WP0531000SC	WASHER 5.3X10X1				1
39	WP0320501SC	WASHER M3				2
40	WP0480856SP	WASHER 4.8X8.4X0.8				4

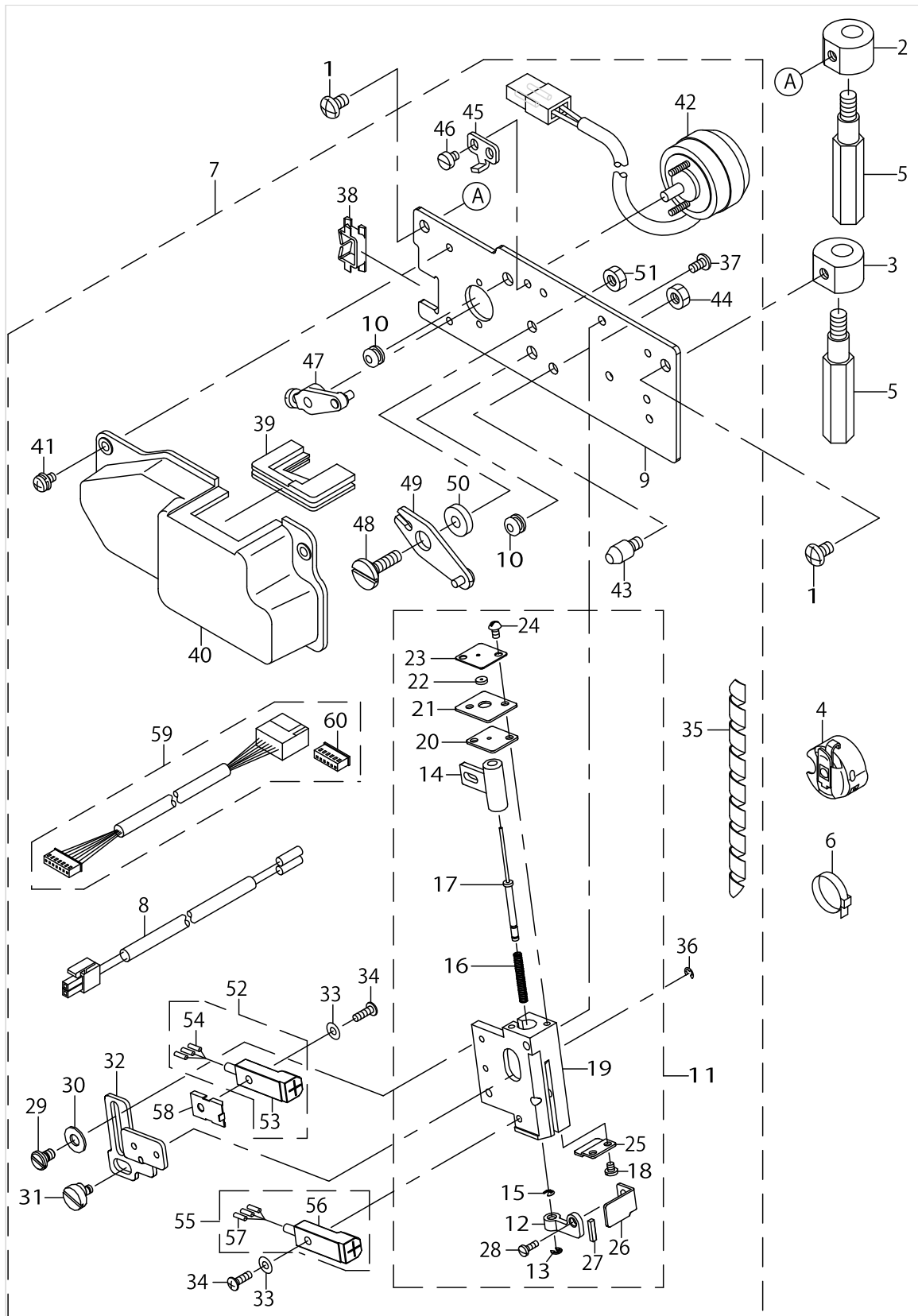
BOBBIN THREAD REMAINING AMOUNT DETECTING COMPONENTS



BOBBIN THREAD REMAINING AMOUNT DETECTING COMPONENTS

No.	Parts No.	Parts name	Remarks	Level	Cons	Qty
1	SS4110715SP	SCREW 11/64-40 L=7				2
2	GAE03041000	STATOR B LEFT				1
3	GAE03040000	BASE PLATE				1
4	GAE030450A0	BOBBIN CASE				1
5	GAE03042000	BED SCREW STUD				2
6	EA9500B0100	CABLE BAND				3
7	40088226	DRIVE_DEVICE_ASSY				1
8	40091087	SOLENOID EXTENSION CORD ASSY		*		1
9	40088225	BASE_PLATE		*		1
10	40088228	CODE_BUSH		*		2
11	40088229	GUIDER_ASSY		*		1
12	GAE03023000	MAGNET PLATE		*		1
13	RE0150000K0	SNAP RING 1.5		*		1
14	GAE03021000	DETECTING ROD HOLDER		*		1
15	GAE03025000	E RING		*		1
16	GAE03022000	DETECTING ROD SPRING		*		1
17	GAE03020000	DETECTING ROD		*		1
18	SS7060310SP	SCREW 3/32-56 L=3		*		2
19	40090415	GUIDER		*		1
20	GAE04027000	DETECTING ROD GUIDE PLATE		*		1
21	GAE04019000	DETECTING ROD FELT GUIDE		*		1
22	GAE03028000	DETECTING ROD FELT		*		1
23	GAE04029000	DETECTING ROD COVER		*		1
24	SS3060410SP	SCREW 3/32-56 L=4		*		2
25	40090419	DETECTING_ROD_STOPPER		*		1
26	40090417	L_CHECKER		*		1
27	40090418	SPACER		*		1
28	SS7060610SP	SCREW 3/32-56 L= 5.5		*		1
29	SD0400201SD	HINGE SCREW D= 4 H= 2		*		2
30	WP0450801SC	WASHER 4.5X10X0.8		*		2
31	GAE03032000	ECCENTRIC PIN		*		1
32	40090416	SENSOR_ADJUSTING_BRACKET		*		1
33	WP0280501SC	WASHER M2.6		*		2
34	SM0850801SC	SCREW M2.5 L=8		*		2
35	HX001890000	SPIRAL TUBE		*		1
36	RE0200000K0	E-RING		*		1
37	SS4080620TP	SCREW 1/8-44 L=6		*		2
38	HX00285000A	CORD HOLDER		*		1
39	GAE04039000	RUBBER CUSHION		*		1
40	GAE04038000	DRIVING EQUIPMENT COVER		*		1
41	SL4030681SC	SCREW M3 L=6		*		3
42	40084091	ROTARY SOLENOID ASSY		*		1
43	B1157781000	GUIDE PIN		*		1
44	NS6110420SP	NUT 11/64-40		*		1
45	GAE03018000	DRIVING LINK STOPPER A		*		1
46	SS6080410SP	SCREW 1/8-44 L=4		*		2
47	GAE030120A0	SOLENOID ARM ASM.		*		1

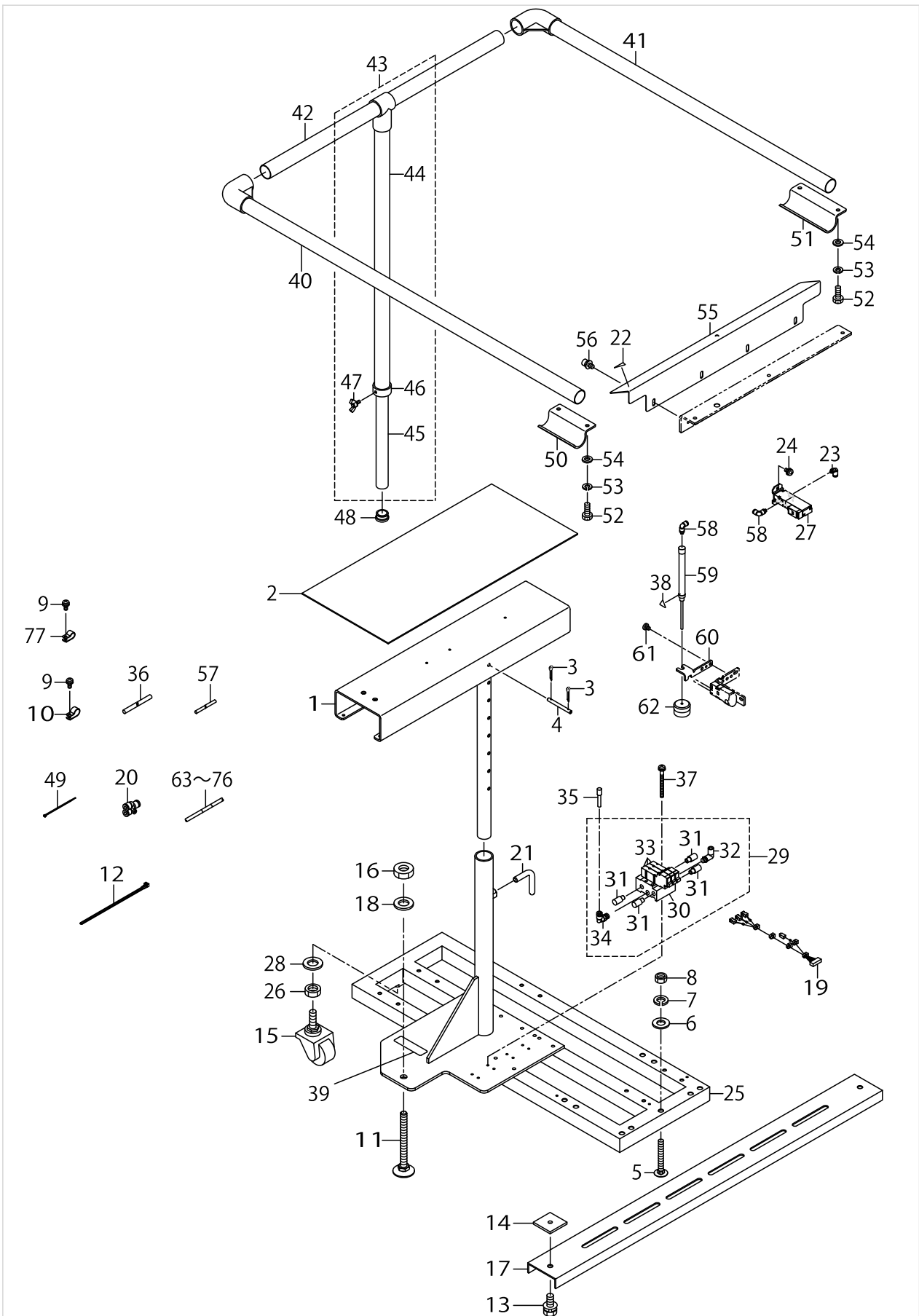
BOBBIN THREAD REMAINING AMOUNT DETECTING COMPONENTS



BOBBIN THREAD REMAINING AMOUNT DETECTING COMPONENTS

No.	Parts No.	Parts name	Remarks	Level	Cons	Qty
48	SD0790204SP	HINGE SCREW D= 7.94 H= 2		*		1
49	GAE040140A0	DRIVING LINK ASM.		*		1
50	MAO91003000	BSW PRESSER PLATE WASHER		*		1
51	NS6110420SP	NUT 11/64-40		*		1
52	40090489	PROXIMITY SENSOR ASSY		*		1
53	HD00286000A	PROXIMITY SENSOR		*		1
54	HK016540000	RECEPTABLE CONTACT		*		3
55	40090488	PROXIMITY SENSOR ASSY		*		1
56	HD002860000	PROXIMITY SENSOR		*		1
57	HK016540000	RECEPTABLE CONTACT		*		3
58	40091147	SENSOR BRACKET		*		1
59	40084059	LOWER THREAD SENSOR CORD ASSY		*		1
60	HK016510060	CONNECTOR HOUSING		*		1

STACKER COMPONENTS (1)

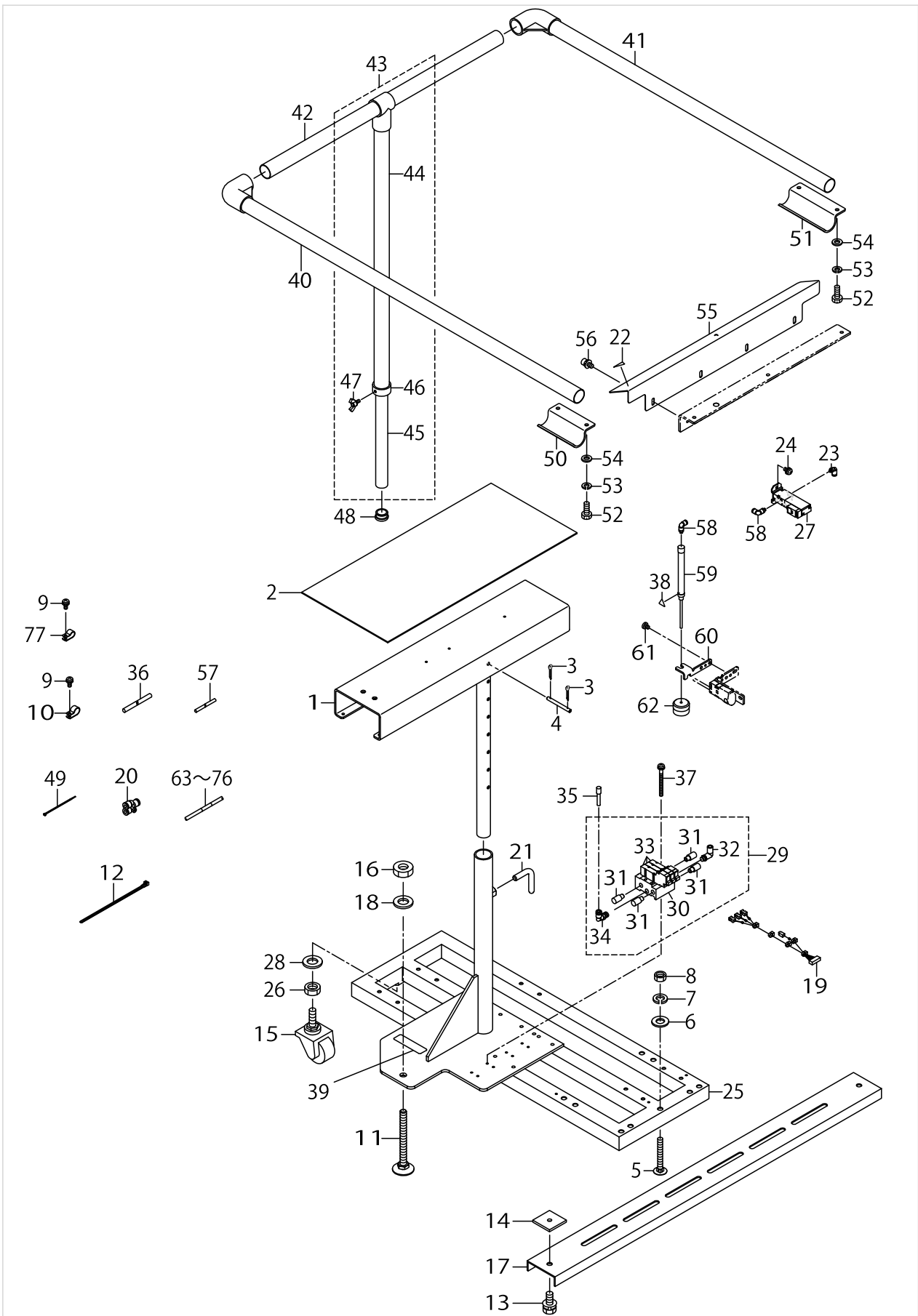


STACKER COMPONENTS (1)

No.	Parts No.	Parts name	Remarks	Level	Cons	Qty
1	40088232	SUPPORT_BASE				1
2	GSS31121N00	SUPPORT BASE RUBBER				1
3	PD02010000B	SPLIT PIN				2
4	GST20004000	STOPPER PIN				1
5	MAS10704000	BOLT				3
6	WP1052001SC	WASHER 10,5X21X2				3
7	WS1020002KN	SPRING WASHER M10				3
8	NS6240630SP	NUT 3/8-18				3
9	SL4041091SC	SCREW M4 L=10				2
10	HX00150000F	CABLE CLIP				1
11	B8103WP3000A	ADJUSTING SCREW				1
12	HX002920000	BAND				1
13	SL9082091SE	WASHER HEXAGONAL BOLT				2
14	17007402	NUT				2
15	11152204	CASTER, SMALL				1
16	NM6120003SE	NUT M12				1
17	11158409	STAND SIDE SUPPORT				1
18	WP1302501SC	WASHER 13X24X2.5				1
19	40084082	VALVE CORD 2 ASSY				1
20	PJ308060003	Y UNION				2
21	GSS31171N00	SETTLE HANDLE				1
22	CM300200002	CAUTION LABEL(25)				1
23	PJ304060501	ELBOW				1
24	SL4040891SC	SCREW M4 L=8				2
25	40088233	STACKER_BASE				1
26	NM6120003SE	NUT M12				1
27	PV130540000	3-PORT SOLENOID VALVE				1
28	WP1302501SC	WASHER 13X24X2.5				1
29	40040527	MANIFOLD_VALVE_ASSY				1
30	PV035161000	MANIFOLD		*		1
31	PX055104000	SILENCER (PT1/8)		*		4
32	PJ304065101	ELBOW UNION 6XPT1/8		*		1
33	PV150104000	5-PORT SOKENOID VALVE		*		3
34	PJ304045102	ELBOW UNION, C		*		1
35	PX500014000	PLUG				1
36	BT0600401EB	TUBE				2
37	SL4044091SE	SCREW M4 L=40				4
38	CM300200001	ATTENTION SEAL				1
39	40093453	COMPLETE_NAME_LABEL_SS52_V				1
40	40088236	SAFETY_BAR_A_ASM.				1
41	40088238	SAFETY_BAR_B_ASM.				1
42	40088240	SAFETY_BAR_C				1
43	GSS294010A0	SAFETY BAR F ASM.				1
44	GSS292060A0	SAFETY BAR D ASM.		*		1
45	GSS29208000	SAFETY BAR E		*		1
46	GSS29401000	SAFETY FIXING RING		*		1
47	16137804	WING SCREW		*		1



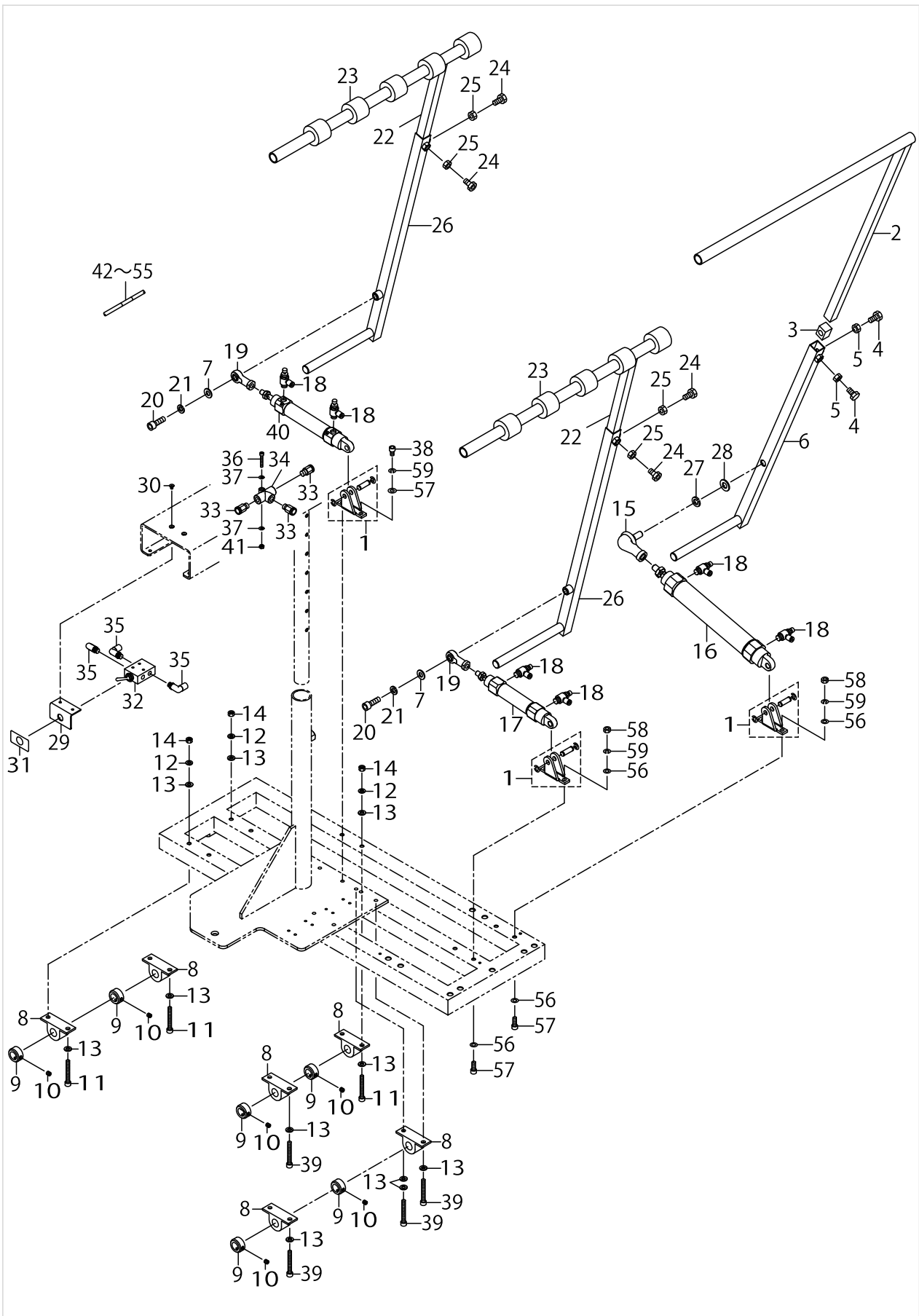
STACKER COMPONENTS (1)



STACKER COMPONENTS (1)

No.	Parts No.	Parts name	Remarks	Level	Cons	Qty
48	TA2050805R0	RUBBER PLUG				1
49	EA9500B0100	CABLE BAND				10
50	GSS29201000	SAFETY BAR INSTALLING PLATE A				1
51	40088235	SAFETY_BAR_INSTALLING_PLATE				1
52	SM9061613SC	SCREW M6 L=16				4
53	WS0610002KN	SPRING WASHER 6.1X12.2X1.5				4
54	WP0641601SD	WASHER M6				4
55	40088234	SUPPORT_PLATE				1
56	SL6051092TN	BOLT				4
57	BT0400251EB	URETHANE HOSE, BLACK				1
58	PJ304040504	ELBOW UNION				2
59	PA1004505A0	CYLINDER				1
60	40088193	CLOTH_HOLD_PLATE				1
61	SS7110510SP	SCREW 11/64-40 L=5				2
62	18072553	THREAD CUTTER SUPPORT ASM.				1
63	18036707	WIRE MARK (18)				2
64	18036806	WIRE MARK (19)				2
65	18036905	WIRE MARK (20)				4
66	18037002	WIRE MARK (21)				4
67	18037101	WIRE MARK (22)				4
68	18037200	WIRE MARK (23)				4
69	18037309	WIRE MARK (24)				4
70	18037408	WIRE MARK (25)				4
71	18037507	WIRE MARK 26				4
72	18037606	WIRE MARK 27				4
73	18038000	WIRE MARK (31)				4
74	18038109	WIRE MARK (32)				4
75	18038208	WIRE MARK (33)				4
76	18038307	WIRE MARK (34)				4
77	HX00150000D	CABLE CLIP				1

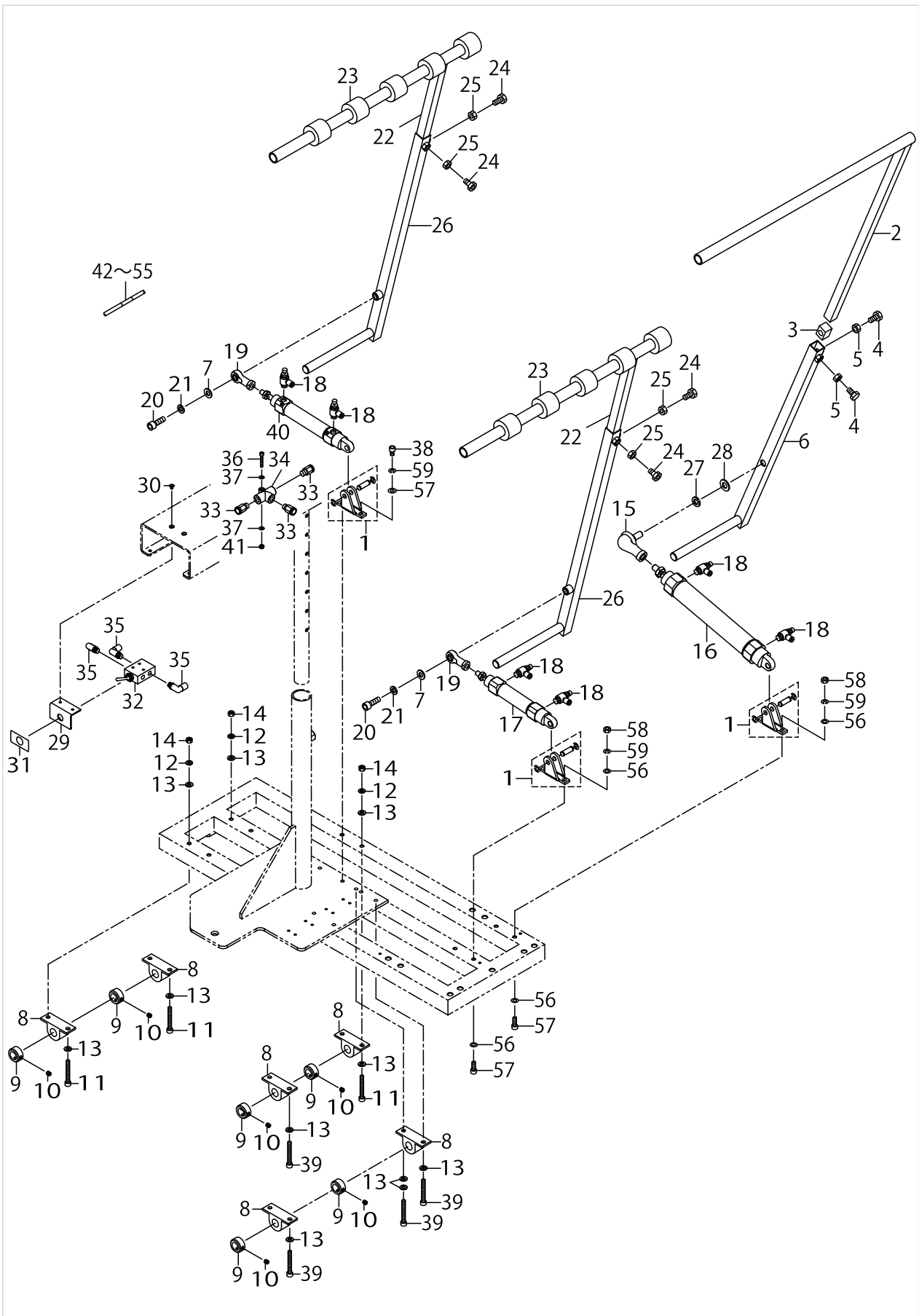
STACKER COMPONENTS (2)



STACKER COMPONENTS (2)

No.	Parts No.	Parts name	Remarks	Level	Cons	Qty
1	PA900053000	BRACKET				3
2	GSS29121000	WIPER, UPPER				1
3	40088242	SLIDE BLOCK				1
4	SM9081603SC	HEXAGONAL HEAD SCREW				2
5	NM6080003SC	NUT M8				2
6	GSS29303NA0	CLOTH FEED ASM.				1
7	WP0841601SC	WASHER 8.4X17.4X1.6				2
8	16136806	MINI PILLOW UNIT				6
9	CS1501181TP	THRUST COLLAR D=15 W=11				6
10	SM8050412TP	SCREW M5 L=4				6
11	SM6064502TP	SCREW M6 L=45				12
12	WS0610002KN	SPRING WASHER 6.1X12.2X1.5				6
13	WP0621016SD	WASHER 6.2X13X1				19
14	NM6060001SC	NUT M6				6
15	GSS29125000	LINK BALL				1
16	PA3215001A0	AIR CYLINDER				1
17	PA2005018A0	AIR CYLINDER				1
18	PC015108000	SPEED CONTROLLER				6
19	16138109	ROD				2
20	SM6082502TP	SCREW M8 L=25				2
21	WS0820002KN	SPRING WASHER M8				2
22	GSS31152N00	PRESSER ARM, UPPER				2
23	GAS11154000	STACKER RING				10
24	SM9081603SC	HEXAGONAL HEAD SCREW				4
25	NM6080003SC	NUT M8				4
26	GSS29300NA0	PRESSER ARM, LOWER A ASM.				2
27	WS1020002KN	SPRING WASHER M10				1
28	WP1052001SC	WASHER 10,5X21X2				1
29	G7523870000	STACK OPEN SWITCH FITTING PLATE				1
30	SM1040601SC	SCREW M4X0.7 L=6				2
31	G5519164000	STACKER OPEN SWITCH LABEL				1
32	PV015110000	AIR VALVE				1
33	PJ301045101	HALF UNION				3
34	PV205101000	SHUTTLE VALVE				1
35	PJ304045102	ELBOW UNION, C				3
36	SM6042502TN	SCREW M4X0.7 L=25				1
37	WP0430801SC	WASHER 4.3X9X0.8				2
38	SM6061202TP	SCREW M6 L=12				2
39	SM6064002TP	SCREW M6 L=40				6
40	PA2007509A0	AIR CYLINDER				1
41	NM6040001SC	NUT M4				1
42	18036707	WIRE MARK (18)				2
43	18036806	WIRE MARK (19)				2
44	18036905	WIRE MARK (20)				4
45	18037002	WIRE MARK (21)				4
46	18037101	WIRE MARK (22)				4
47	18037200	WIRE MARK (23)				4

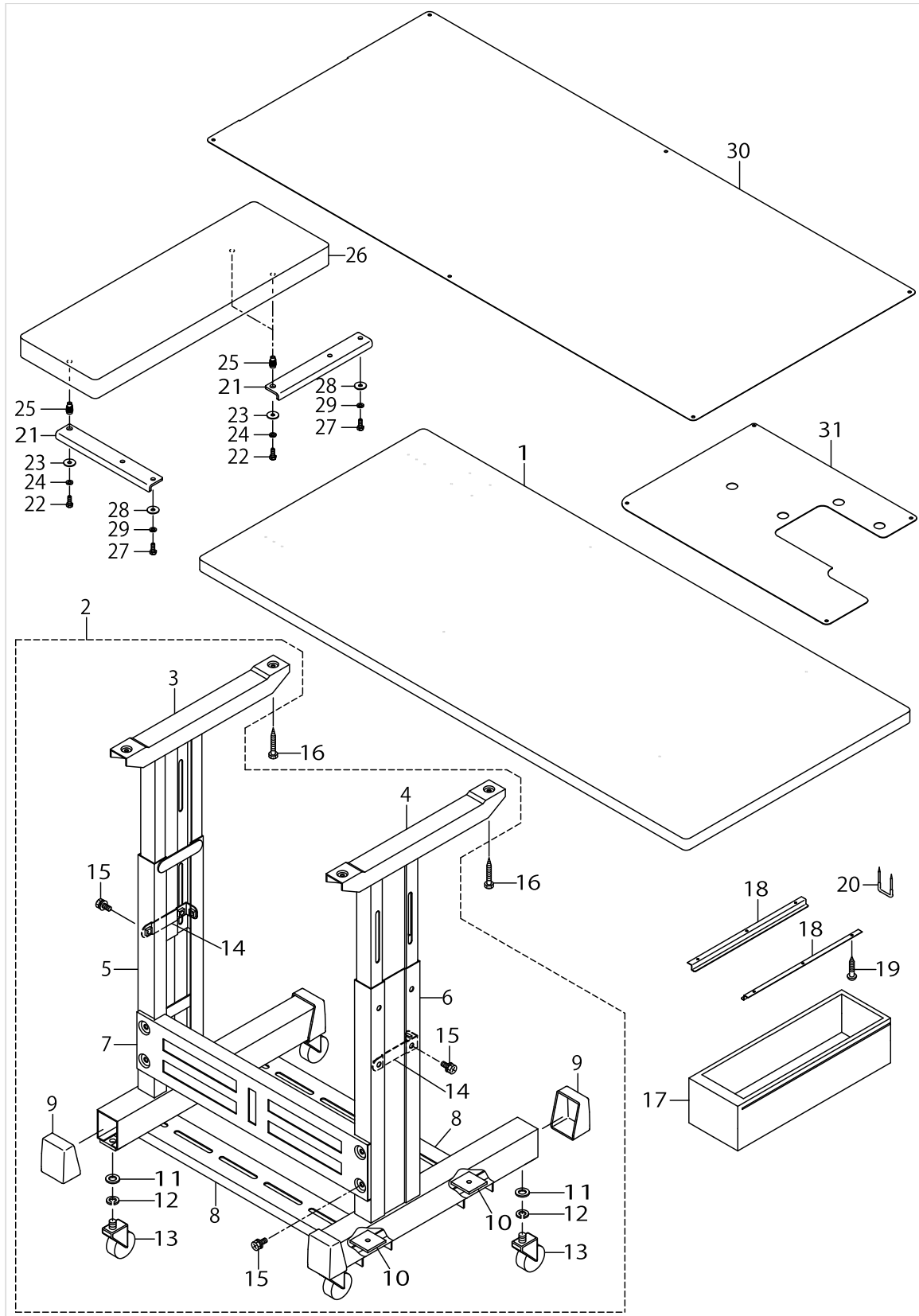
STACKER COMPONENTS (2)



STACKER COMPONENTS (2)

No.	Parts No.	Parts name	Remarks	Level	Cons	Qty
48	18037309	WIRE MARK (24)				4
49	18037408	WIRE MARK (25)				4
50	18037507	WIRE MARK 26				4
51	18037606	WIRE MARK 27				4
52	18038000	WIRE MARK (31)				4
53	18038109	WIRE MARK (32)				4
54	18038208	WIRE MARK (33)				4
55	18038307	WIRE MARK (34)				4
56	WP0641601SC	WASHER				10
57	SM6061602TP	SCREW M6 L=16				4
58	NM6060001SC	NUT M6				4
59	WS0610002KN	SPRING WASHER 6.1X12.2X1.5				6

CLOTH TABLE COMPONENTS

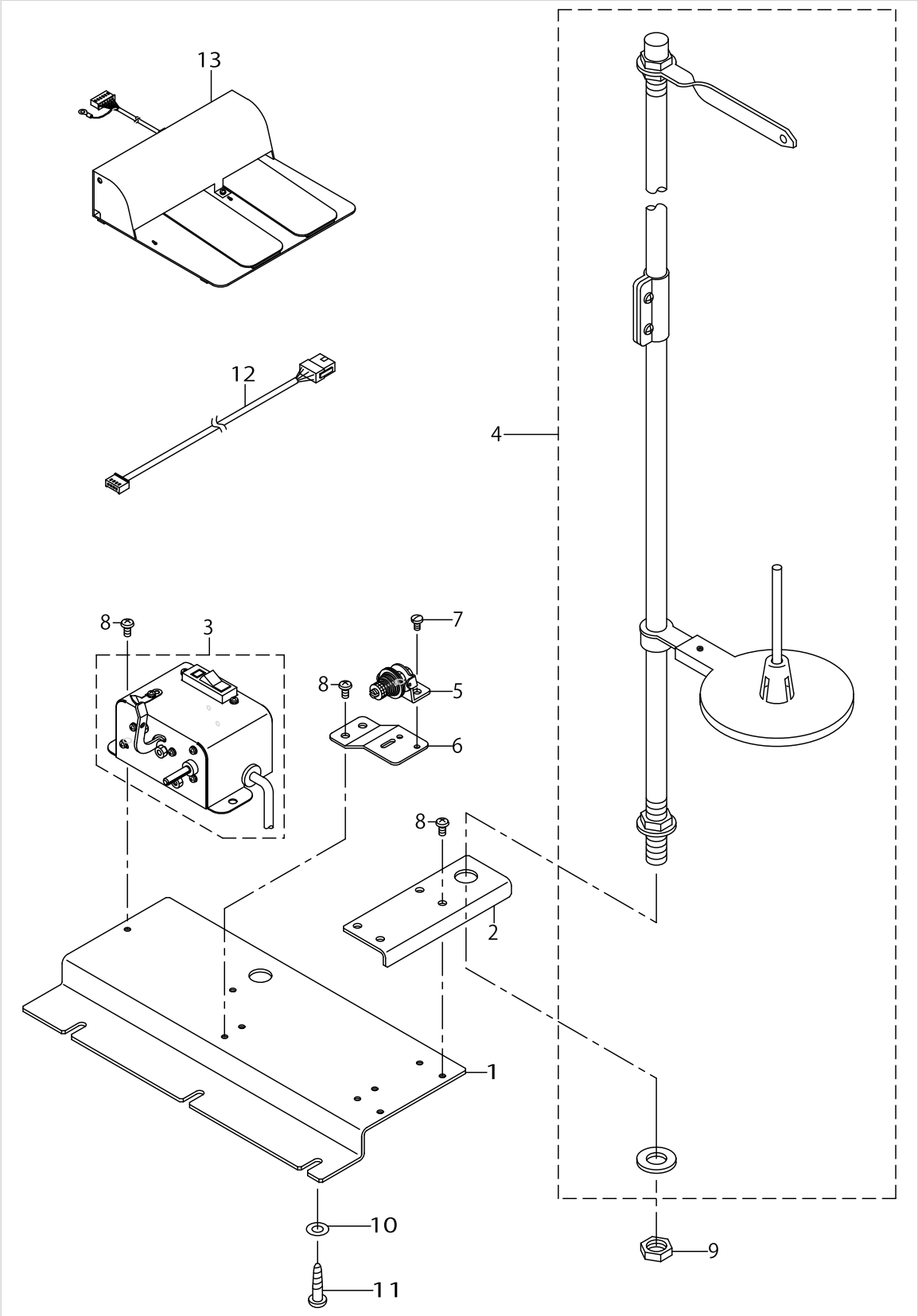


CLOTH TABLE COMPONENTS

No.	Parts No.	Parts name	Remarks	Level	Cons	Qty
1	40088183	CLOTH_TABLE				1
2	40082280	T_STAND_ASSY				1
3	11157666	UPPER STAND ASM., RIGHT		*		1
4	11157765	UPPER STAND ASM., LEFT		*		1
5	11157963	LOWER LEG, RIGHT		*		1
6	11158060	LOWER LEG, LEFT		*		1
7	D8308205K0A	STAND SIDE SUPPORT		*		1
8	40082274	STAND_SIDE_SUPPORT_ADD		*		2
9	11158607	RUBBER CAP		*		4
10	17007402	NUT		*		4
11	WP1302501SE	WASHER M12		*		4
12	WS1253010KN	SPRING WASHER 12.5X21.5X3		*		4
13	17007204	CASTER		*		4
14	11158516	UPPER STAND PLATE		*		2
15	SL9082091SE	WASHER HEXAGONAL BOLT		*		14
16	SK3512001SE	WOOD SCREW D=5.1 L=20				4
17	11155108	DRAWER				1
18	11155207	DRAWER SUPPORT				2
19	SK3311601SE	WOOD SCREW D=3.1 L=16				6
20	D8204555D00	DRAWER STOPPER				1
21	18073700	CONNECTING PLATE				3
22	SM9061613SC	SCREW M6 L=16				6
23	WP0651646SC	WASHER				6
24	WS0610002KN	SPRING WASHER 6.1X12.2X1.5				6
25	40075287	INSERT_NUT M6X20				3
26	40088181	SUB_TABLE				1
27	SM9061613SC	SCREW M6 L=16				3
28	WP0651646SC	WASHER				3
29	WS0610002KN	SPRING WASHER 6.1X12.2X1.5				3
30	40096909	SUB_TABLE_COVER	OPTIONAL PARTS			1
31	40096969	TABLE_SLIPPER	OPTIONAL PARTS			1



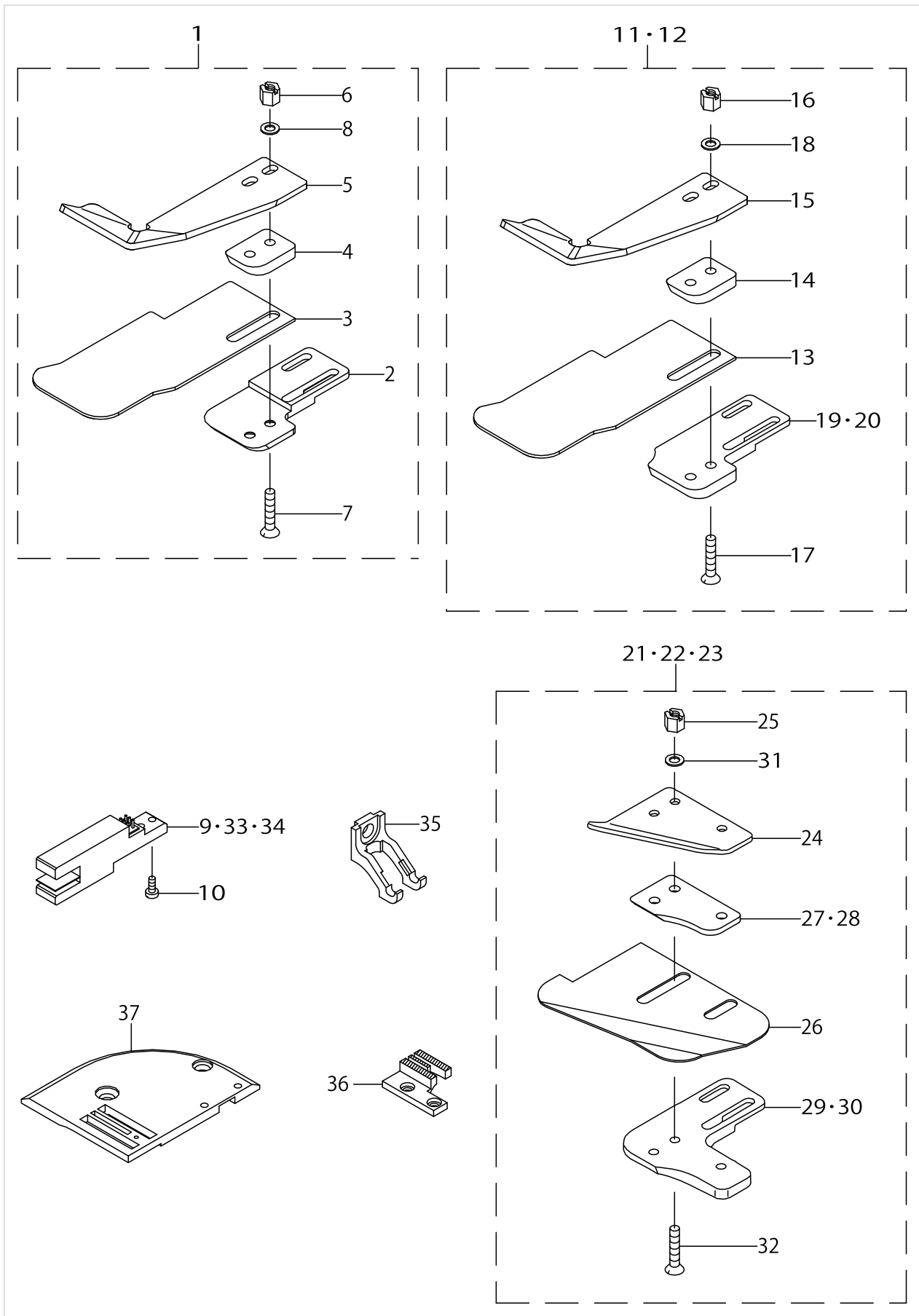
BOBBIN WINDER & PEDAL COMPONENTS



BOBBIN WINDER & PEDAL COMPONENTS

No.	Parts No.	Parts name	Remarks	Level	Cons	Qty
1	G5901126000	BOBBIN DEVICE INSTALLING PLATE				1
2	G5902126000	THREAD STAND INSTALLING PLATE				1
3	G80318750A0	BOBBIN WINDER ASM.				1
4	26008359	THREAD STAND ASM.				1
5	13889951	BOBBIN GUIDE ASM.				1
6	G3216270000	BOBBIN BASE				1
7	SS7110840SP	SCREW 11/64-40 L=7.8				2
8	SM5051001SN	SCREW				8
9	NM6160511SE	NUT M16X1.5				1
10	WP0561616SC	WASHER 5.6X16X1.6				3
11	SK3512001SF	WOOD SCREW				3
12	40084086	BOBBIN WINDER CORD ASSY				1
13	40084064	PEDAL SWITCH ASM				1

CLOTH GUIDE & SENSOR COMPONENTS



CLOTH GUIDE & SENSOR COMPONENTS

No.	Parts No.	Parts name	Remarks	Level	Cons	Qty
1	40088210	CLOTH_GUIDE_ASM_4/2	STANDARD PARTS			1
2	40088144	CLOTH_GUIDE_MOUNTING_BASE_(2MM)		*		1
3	18069500	CLOTH GUIDE SEPARATING PLATE		*		1
4	18051607	SEPARATING GUIDE A		*		1
5	18052100	SEPARATING GUIDE B		*		1
6	NM5030550SE	NUT M3X0.5		*		2
7	SM1031601SC	SCREW M3X0.5 L=16		*		2
8	WP03305000E	WASHER 3.3X6X0.5		*		2
9	40084100	EDGE SENSOR 4/2				1
10	SS6060510TP	SCREW 3/32-56 L=4.5	STANDARD PARTS			2
11	40088212	CLOTH_GUIDE_ASM_4/4	TYPE 4/4			1
12	40088211	CLOTH_GUIDE_ASM_2/2	TYPE 2/2			1
13	18069500	CLOTH GUIDE SEPARATING PLATE		*		1
14	18051607	SEPARATING GUIDE A		*		1
15	18052100	SEPARATING GUIDE B		*		1
16	NM5030550SE	NUT M3X0.5		*		2
17	SM1031601SC	SCREW M3X0.5 L=16		*		2
18	WP03305000E	WASHER 3.3X6X0.5		*		2
19	40088145	CLOTH_GUIDE_MOUNTING_BASE_(4MM)	TYPE 4/4	*		1
20	40088144	CLOTH_GUIDE_MOUNTING_BASE_(2MM)	TYPE 2/2	*		1
21	18076059	GUIDE ASM.	TYPE 2/2			1
22	18076257	GUIDE ASM.	TYPE 4/4			1
23	18076356	GUIDE ASM.	TYPE 4/2			1
24	18066902	GUIDE D		*		1
25	NM5030550SE	NUT M3X0.5		*		2
26	18076109	SEPARATION PLATE E		*		1
27	18076000	SEPARATION GUIDE E	TYPE 2/2	*		1
28	18066704	SEPARATION GUIDE D	TYPE 4/4,4/2	*		1
29	18066506	GUIDE BASE E	TYPE 2/2,4/2	*		1
30	18066605	GUIDE BASE D	TYPE 4/4	*		1
31	WP03305000E	WASHER 3.3X6X0.5		*		2
32	SM1031401SE	SCREW M3X0.5 L=14		*		2
33	40084101	EDGE SENSOR 4/4	TYPE 4/4			1
34	40084102	EDGE SENSOR 2/2	TYPE 2/2			1
35	40088215	UPPER_FEED_PRESSER(URETHANE)				1
36	22881700	FEED DOG A				1
37	40098871	THROAT_PLATE_A(THIN_USE)				1

LIST FOR INFORMATION OF CHANGE

As to the place changed, refer to the corresponding Rev.No.  
 When previous parts(Obsoleted part)and new parts(Added parts)are  
 not interchangeable with each other:  
 In this case,even obsoleted parts(D.)can be ordered with the  
 obsoleted part number,so select the parts with changed dates and  
 place your orders.

変更箇所は、該当Rev.No.版をご参照ください。  
 部品の互換性がない変更の場合は、削除された品番でも、ご注文できます。

40088253  
 No.1527-01 Rev.No.

\*A:Added parts追加部品/D:Obsoleted parts削除部品/E:Erratum訂正

* Rev. No.	Page 頁	Ref. No.	Parts No. 品番	* Rev. No.	Page 頁	Ref. No.	Parts No. 品番
D 00	2	19	400-88255	A 01	2	19	400-98821
D 00	2	46	228-81502	A 01	2	46	400-98870
D 00	2	61	SS-8150710-SP	A 01	2	61	SS-8150822-TP
D 00	2	82	400-88025	A 01	2	82	400-98869
D 00	20	15	HX-0015000-0F	A 01	20	15	HX-0015000-0C
D 00	20	35	SM-6040802-TN	A 01	20	35	SM-6040802-TP
D 00	20	62	CM-5001000-01	A 01	20	62	400-94560
E 00	20	64	SS-6123010-SP	A 01	20	64	SS-6110610-TP
E 00	20	66	SS-4121215-SP	A 01	20	66	SS-6123010-SP
				A 01	20	75	HX-0031400-0A
D 00	26	37	400-88156	A 01	26	37	400-96523
D 00	26	39	180-75655				
				A 01	26	39	400-98291
D 00	26	78	180-51003	A 01	26	78	400-96947
				A 01	26	96	SM-6040602-TN
				A 01	26	97	400-96948
				A 01	26	98	SM-1041400-SP
				A 01	26	99	NM-6040001-SP
				A 01	26	100	400-96946
				A 01	30	26	400-28877
D 00	34	29	400-86466	A 01	34	29	400-91945
				A 01	34	50	SL-4041081-SC
D 00	36	3	400-03441				
D 00	36	6	HG-0074700-00	A 01	36	6	400-77469
D 00	38	4	400-86466	A 01	38	4	400-91945
				A 01	40	53	269-10059
D 00	46	39	400-88241	A 01	46	39	400-93453
				A 01	46	77	HX-0015000-0D
D 00	48	38	SM-6061002-TP	A 01	48	38	SM-6061202-TP
				A 01	50	30	400-96909
				A 01	50	31	400-96969
D 00	54	37	228-81601	A 01	54	37	400-98871

## HOW TO MAKE USE OF THIS PARTS LIST

### 1.Explanation of codes

1)"\*"mark.....means this part is changed from the previous parts book.

As to the details of the change, refer to the "List for information of change".

2)"#01".....refer to "Note" explanation at bottom of page.

### 2.Codes on the "Qty" column

- Each numeral indicates the number of parts required.
- "0.1" and "2.5" indicate the length (in meters) of the respective parts.

3.Parentheses mean that the corresponding part is a subpart that constructs an assembly part.

4.Dotted lines on the Figures indicate assembly parts.

5.As to the parts with marks of "☆"(consumable parts) and "◎"(optional parts)on the respective parts, it is recommended to prepare spares.

### 1 ."注記"欄の記号説明

1) "\*"印.....前回のパーツブックに比較して今回変更された部品を意味します。

変更内容は、"変更情報リスト"を参照してください。

2) "#01".....ページ下の"注記"の説明を参照してください。

2.数量欄の数字は、個数を表し、0.1、2.5等の数値は、長さ（単位メートル）を表します。

3.数量欄の（ ）は、組部品を構成している子部品であることを意味します。

4.イラストページの-----枠は、組構成であることを意味します。

5.リストページの"☆"（消耗部品）、"◎"（オプション部品）の印がついた部品は、予備を準備しておくことをお奨めします。

# NUMERICAL INDEX OF PARTS

PART NO	PAGE	REF NO.	PART NO	PAGE	REF NO.	PART NO	PAGE	REF NO.
10502300	42	31	11158060	86	6	11210804	22	51
11002409	6	20	11158300	40	5	11210903	22	64
11002508	6	21	11158409	40	6	11211000	20	44
11003308	2	14	11158409	78	17	11211109	24	30
11004207	10	26	11158516	40	9	11214004	20	43
11005204	6	10	11158516	86	14	11214103	20	22
11006350	12	6	11158607	40	7	11214202	20	21
11008604	16	32	11158607	86	9	11214301	20	20
11008703	16	31	11200201	2	32	11214400	20	29
11008703	22	54	11200300	2	35	11214509	20	40
11010311	16	20	11200409	2	36	11214608	20	28
11014008	16	19	11200607	2	10	11214756	20	31
11015906	10	38	11200805	2	37	11214806	20	36
11024700	54	3	11202009	6	3	11214905	20	37
11038650	10	14-41	11202173	6	15	11215019	20	34
11038759	10	19	11202207	6	25	11215118	20	32
11038809	10	32	11202306	6	27	11215258	14	48
11039062	6	5	11203106	10	25	11216009	20	3
11039070	6	4	11204013	14	53	11216157	20	1
11040052	28	5	11204112	12	33	11216306	22	65
11040854	28	45	11204161	12	30	11216405	20	12
11040953	28	44	11204211	12	31	11216504	20	11
11041852	28	30	11204302	12	34	11216603	20	8
11042504	28	14	11204401	12	40	11216652	20	7
11042553	28	13	11204559	12	23	11216702	20	6
11042850	28	19	11204609	12	24	11216751	20	4
11043304	30	57	11205002	12	27	11216801	12	39
11043908	30	53	11205218	12	5	11216801	22	52
11043908	66	50	11205309	12	12	11217114	12	45
11043957	30	49	11205408	12	13	11217213	12	44
11044054	30	64	11205507	14	69	11217353	12	29
11047107	54	4	11206000	16	16	11217601	12	41
11072402	42	29	11206208	16	4	11220001	14	57
11091204	16	22	11206307	16	6	11220100	12	17
11100104	4	69	11206406	16	8	11220209	4	58
11100500	26	49	11206463	16	2	11220308	14	56
11101300	32	2	11210002	22	69	11221504	34	32
11101508	32	3	11210051	22	68	11221603	34	12
11141355	10	14-41	11210119	20	14	11221652	34	7
11152204	78	15	11210200	20	16	11221702	34	11
11155108	86	17	11210325	22	58	11221801	34	10
11155207	86	18	11210408	22	61	11221900	34	14
11157666	86	3	11210507	22	60	11222007	34	5
11157765	86	4	11210614	22	63	11227600	32	10
11157963	86	5	11210705	22	50	11228400	32	14

# NUMERICAL INDEX OF PARTS

PART NO	PAGE	REF NO.	PART NO	PAGE	REF NO.	PART NO	PAGE	REF NO.
11228459	32	8	11281458	24	20	18035907	56	26~43
11228459	66	51	11281458	66	49	18036004	56	26~43
11230117	14	52	11281557	24	26	18036103	56	26~43
11230562	14	61	11281557	64	30	18036202	56	26~43
11230802	12	15	11281656	2	1	18036301	56	26~43
11231503	34	35	11281656	66	52	18036400	56	26~43
11232055	28	1	11281755	4	75	18036509	56	26~43
11232105	28	3	11313103	28	7	18036608	56	26~43
11255809	2	9	11331204	10	11	18036707	56	26~43
11257359	4	50	11331402	2	40	18036707	80	63~76
11271004	12	18	11415205	4	20·74	18036707	82	42~55
11271103	12	35	12288403	68	3	18036806	80	63~76
11271202	12	36	12455705	68	9~13	18036806	82	42~55
11271301	12	21	13167903	70	54	18036905	80	63~76
11272051	26	50	13168000	70	55	18036905	82	42~55
11272408	24	45	13168109	70	56	18037002	80	63~76
11272507	24	47	13168208	70	57	18037002	82	42~55
11272614	24	46	13172952	44	22	18037101	80	63~76
11272952	24	16	13870258	64	17	18037101	82	42~55
11273000	24	17	13889407	36	43	18037200	80	63~76
11273158	24	13	13889951	88	5	18037200	82	42~55
11273307	24	12	14113450	42	26	18037309	80	63~76
11273406	16	9	14113468	42	25	18037309	84	42~55
11273505	24	11	16136806	82	8	18037408	80	63~76
11274008	24	29	16137804	78	47	18037408	84	42~55
11274107	24	43	16138109	82	19	18037507	80	63~76
11274206	24	42	16187007	68	30	18037507	84	42~55
11274313	24	18	16193005	68	21·28	18037606	80	63~76
11274503	24	2	16193203	68	21·28	18037606	84	42~55
11274602	24	5	16870206	40	32	18038000	80	63~76
11274701	24	1	17007204	86	13	18038000	84	42~55
11274800	24	37	17007402	40	8	18038109	80	63~76
11274859	24	34	17007402	78	14	18038109	84	42~55
11275005	12	43	17007402	86	10	18038208	80	63~76
11275302	2	24	17008004	40	24	18038208	84	42~55
11275450	2	27	17845009	58	27	18038307	80	63~76
11275609	2	6	18035006	56	26~43	18038307	84	42~55
11275708	2	3	18035105	56	26~43	18050401	16	24
11275807	2	2	18035204	56	26~43	18051607	90	14
11276102	4	72	18035303	56	26~43	18052100	90	15
11278306	36	12	18035402	56	26~43	18052704	46	61
11280252	2	41	18035501	56	26~43	18052704	50	27
11280351	2	28	18035600	56	26~43	18052902	46	51
11280401	24	21	18035709	56	26~43	18052902	50	24
11281300	64	23	18035808	56	26~43	18053355	44	30



# NUMERICAL INDEX OF PARTS

PART NO	PAGE	REF NO.	PART NO	PAGE	REF NO.	PART NO	PAGE	REF NO.
18053603	46	85	18076257	90	21·22·23	22920409	14	55
18053801	46	86	18076356	90	21·22·23	22920508	4	48
18053900	46	87	22881304	20	38	22920805	10	8
18054205	44	45	22881403	16	26	22921001	4	49
18054205	52	52	22881700	90	36	22921209	4	56
18054403	46	88	22900609	2	20·74	22921308	4	51
18054601	46	52	22900757	2	34	22921407	4	52
18054601	50	26	22901003	2	44	22921506	4	55
18054700	46	49	22901409	10	1	22921605	4	57
18054700	50	22	22901805	2	18	22921704	4	53
18055004	46	71	22904155	6	23	22921803	4	54
18055103	44	32	22904155	16	45	22923015	34	23
18055202	44	40	22905004	10	24	22923056	34	19
18055509	46	82	22906101	10	2	22923205	34	29
18056101	46	75	22906200	10	9	22923312	34	20
18056408	44	28	22906457	10	5	22923403	34	27
18056804	44	46	22907406	12	25	22923502	34	25
18056804	52	53	22907802	12	2	22923601	34	26
18056903	46	54	22908305	12	8	22923700	34	24
18056903	50	28	22908552	12	4	22923809	34	28
18058909	44	47	22908909	12	9	22923908	34	22
18059303	44	42	22910004	6	18	22924500	34	16
18059303	50	21	22910053	6	16	22924609	34	31
18059501	52	55	22910103	6	26	22924906	34	17
18059709	46	90	22910350	18	53	22925002	34	18
18065805	44	43	22910806	16	34	22930309	68	34
18065805	52	50	22910905	16	30	22930358	68	32
18066506	90	29·30	22910905	22	57	22930408	68	35
18066605	90	29·30	22911002	18	50	22930507	68	36
18066704	90	27·28	22911002	22	55	22930556	68	37
18066902	90	24	22911101	16	17	22930705	68	38
18067108	44	35	22911101	20	18	22930804	68	39
18069203	46	73	22911804	16	10	22930903	68	40
18069500	90	13	22912000	16	12	22931000	70	50
18069708	46	74	22912109	16	11	22931109	70	51
18069807	46	72	22912901	18	49	22931307	68	41
18070854	46	84	22913008	16	44	22931406	68	42
18071001	46	89	22915151	18	55	22932107	54	24
18071308	46	92	22915201	16	47	22932156	54	22
18072553	80	62	22916001	10	31	22932206	54	8
18073403	40	23	22916100	10	34	22932800	68	2
18073700	86	21	22916308	10	27	22932909	10	42
18076000	90	27·28	22916555	10	37	22932909	68	8
18076059	90	21·22·23	22919203	6	29	22933006	68	15
18076109	90	26	22919559	6	2	22933105	68	4

# NUMERICAL INDEX OF PARTS

PART NO	PAGE	REF NO.	PART NO	PAGE	REF NO.	PART NO	PAGE	REF NO.
22933204	68	5	23631708	38	53	40010535	42	35
22933303	68	17	23631807	38	52	40011143	42	1
22935407	2	45	23631906	38	54	40011144	42	8
22940506	16	13	23638109	36	25	40011145	42	10
22940654	16	39	23638208	36	27	40011146	42	11
22940803	16	37	23638406	36	28	40012038	58	41
22940951	16	33	26008359	88	4	40012038	64	8
22941306	16	25	26260109	42	2	40014098	66	57
22942601	10	40	26260208	42	3	40018458	38	55
22944508	14	60	26260307	42	4	40021933	42	12
22944607	14	63	26260406	42	5	40023662	56	3
22945109	14	66	26260505	42	6	40027870	72	35
22945414	4	64	26260604	42	7	40028834	38	74
22945463	4	63	26260802	42	9	40028835	38	69
22945505	4	67	26261206	42	13	40028877	54	26
22945604	4	65	26261305	42	14	40029633	36	29
22945703	4	68	26261503	42	15	40029776	36	23
22945802	4	66	26261602	42	16	40032986	24	9
22947006	34	1	26261701	42	17	40034156	24	7
22947907	28	6	26910059	70	53	40040527	78	29
22948301	28	35	40000029	58	15	40041232	38	51
22948400	28	37	40000029	64	14	40044823	56	13
22949002	28	43	40000046	58	17·18	40050265	6	35
22949101	28	40	40000046	64	6·7	40050265	64	11
22949200	28	41	40000056	58	17·18	40055355	58	3
22949309	28	38	40000056	64	6·7	40055357	58	5
22949408	28	29	40003458	58	43	40058397	60	51·52
22949754	28	24	40003462	62	5	40058397	64	1·2
22949762	28	23	40003464	62	7	40058398	60	51·52
22949903	30	50	40005394	58	32	40058398	64	1·2
22950000	28	26	40005394	64	9	40062684	70	48
22950109	28	31	40005401	58	22	40075287	40	15
22950356	28	15	40005401	64	10	40075287	86	25
22950703	28	25	40006496	36	24	40077469	62	6
22950950	28	21	40006497	36	26	40078218	20	15
22951008	30	60	40006617	44	8	40080424	16	15
22951404	30	54	40006625	44	10	40082274	86	8
22956809	38	63	40010395	16	29	40082280	86	2
22958052	40	27	40010477	44	11	40082736	58	34
22958300	68	7	40010487	44	15	40082736	64	16
22962203	16	21	40010489	44	21	40084041	58	13
22962500	32	5	40010490	44	14	40084041	64	40
22962609	32	7	40010498	44	20	40084058	60	53
22962708	28	11	40010533	42	33	40084059	64	22
22962807	14	64	40010534	42	34	40084059	76	59

# NUMERICAL INDEX OF PARTS

PART NO	PAGE	REF NO.	PART NO	PAGE	REF NO.	PART NO	PAGE	REF NO.
40084061	38	73	40084101	64	33~36	40088164	50	19
40084061	64	18	40084101	90	9·33·34	40088165	50	40
40084064	64	25	40084102	64	33~36	40088166	40	1
40084064	88	13	40084102	90	9·33·34	40088167	40	2
40084066	56	9	40084103	64	33~36	40088168	40	14
40084066	66	54	40084103	72	2	40088169	40	18
40084067	46	62	40088019	36	42	40088170	40	21
40084067	64	37	40088020	36	47	40088171	40	26
40084069	64	42	40088021	38	50	40088172	40	3
40084070	64	41	40088022	36	1	40088174	36	36
40084071	64	44	40088023	36	3	40088175	72	19
40084073	66	56	40088024	36	5	40088181	86	26
40084074	64	28	40088026	36	33	40088182	40	28
40084075	36	45	40088029	38	71	40088183	86	1
40084075	64	29	40088031	42	38	40088184	68	27
40084076	64	31	40088032	42	40	40088188	56	25
40084077	64	43	40088033	6	42	40088189	68	24
40084079	58	30	40088138	6	46	40088190	54	2
40084079	64	4·5	40088139	8	48	40088193	80	60
40084080	64	24	40088140	8	49	40088194	72	5~8
40084081	64	27	40088141	8	52	40088195	72	5~8
40084082	66	55	40088142	8	54	40088196	72	5~8
40084082	78	19	40088143	8	55	40088197	72	5~8
40084083	64	13	40088144	90	19·20	40088198	72	9
40084084	64	12	40088145	90	19·20	40088199	72	11
40084085	64	38	40088146	46	64	40088200	72	15
40084086	64	19	40088147	44	2	40088201	72	17
40084086	88	12	40088148	44	3	40088202	72	21
40084091	66	53	40088149	44	6	40088203	72	34
40084091	74	42	40088150	44	13	40088204	50	9
40084092	62	2	40088151	44	18	40088205	38	58
40084093	62	4	40088152	44	19	40088207	38	48
40084094	58	4	40088153	44	24	40088208	56	1
40084095	62	1	40088153	50	17	40088208	64	26
40084095	66	58	40088154	44	26	40088209	50	4
40084096	58	1·2	40088155	46	70	40088210	90	1
40084097	58	1·2	40088157	46	63	40088211	90	11·12
40084098	44	1	40088157	50	38	40088212	90	11·12
40084098	50	1	40088158	50	7	40088213	42	36
40084098	66	48	40088159	50	10	40088215	90	35
40084099	46	50	40088160	50	15	40088216	72	16
40084099	50	23	40088161	50	35	40088221	50	41
40084099	66	47	40088162	46	67	40088225	74	9
40084100	64	33~36	40088162	50	37	40088226	74	7
40084100	90	9·33·34	40088163	50	2	40088228	74	10

# NUMERICAL INDEX OF PARTS

PART NO	PAGE	REF NO.	PART NO	PAGE	REF NO.	PART NO	PAGE	REF NO.
40088229	74	11	B1144210000	36	6	BT0400251EB	80	57
40088232	78	1	B1157781000	74	43	BT0600401EB	56	17
40088233	78	25	B1161227000	46	66	BT0600401EB	78	36
40088234	80	55	B1191490000	68	20	BT0600402EA	34	3
40088235	80	51	B1211980000	24	22	CM200100001	58	44
40088236	78	40	B1213552000A	6	30	CM300100003	60	45·46
40088238	78	41	B1215552000	6	32	CM300100401	60	45·46
40088240	78	42	B1226552000	6	28	CM300200001	4	76
40088242	82	3	B1242980000	24	24	CM300200001	36	41
40088257	12	46	B13050120A0	10	15	CM300200001	42	42
40088632	38	68	B13061550A0	10	17	CM300200001	78	38
40088641	68	1	B13071550A0	10	20	CM300200002	36	40
40088651	54	1	B13081550A0	10	22	CM300200002	52	58
40089401	18	61	B1401522A00A	10	3·4	CM300200002	78	22
40090415	74	19	B1401522B00A	10	3·4	CM300400601	60	47·48
40090416	74	32	B1408552000	6	11	CM300400701	60	47·48
40090417	74	26	B1414555000	10	7	CM301300001	4	78
40090418	74	27	B1521555000	12	1	CM600100101	4	80
40090419	74	25	B1564777000	72	1	CM600100101	36	39
40090488	64	20	B1609804B00	20	2	CM600100101	60	49
40090488	76	55	B1641490000	24	23	CM600100101	62	11
40090489	64	21	B1644490000	24	27	CQ202000000	18	64
40090489	76	52	B1704470000	18	62	CQ252000000	34	15
40090869	2	11	B1705470000	18	57	CS0640611SP	12	19
40090869	64	39	B170647000B	16	1	CS0790731SH	10	35
40091087	66	59	B1715481000	18	59	CS0791016SH	10	29
40091087	74	8	B1808552000	10	39	CS0800816SH	50	46
40091147	76	58	B1903552000	6	12	CS080081ASH	50	45
40091271	58	33	B1905541A00	6	6~9	CS080081CSH	46	68
40091271	64	15	B1905541B00	6	6~9	CS120101BSH	20	45
40091945	58	29	B1905541C00	6	6~9	CS1501181TP	82	9
40091945	64	4·5	B1905541D00	6	6~9	D2406555D0H	28	10
40093453	78	39	B3016450000A	20	41	D2464555B00	32	16
40094560	38	62	B3118552C00	4	62	D2468555B00	32	13
40096523	44	37	B3126012000	42	27	D2611555B00A	24	38
40096909	86	30	B3404122000	34	8	D7133555B00	42	28
40096946	48	100	B3536122000	34	9	D8204555D00	86	20
40096947	46	78	B412352200B	22	67	D8308205K0A	86	7
40096948	48	97	B8103WP3000A	78	11	E9567319000	58	40
40096969	86	31	B8105210AAA	40	4	E9608603000	48	95
40098291	44	39	B8150210000	40	11	E9608603000	56	11
40098821	2	19	B8228125000	68	14	E9609603000	56	18
40098869	4	82	B9101490000	68	6	EA9500B0100	30	61
40098870	2	46	B9140372000	68	9~13	EA9500B0100	36	19·61
40098871	90	37	B9141372000	68	9~13	EA9500B0100	38	19·61

# NUMERICAL INDEX OF PARTS

PART NO	PAGE	REF NO.	PART NO	PAGE	REF NO.	PART NO	PAGE	REF NO.
EA9500B0100	44	23	GSS292060A0	78	44	HX005110000	58	37·38
EA9500B0100	56	22	GSS29208000	78	45	J106600000B	68	9~13
EA9500B0100	74	6	GSS29300NA0	82	26	KX000000330	58	39
EA9500B0100	80	49	GSS29303NA0	82	6	M1011580000	62	10
EA9500B0200	36	20·67	GSS29401000	78	46	M1031580000	62	9
EA9500B0200	38	20·67	GSS294010A0	78	43	M10315800A0	62	8
EA9500B0200	56	24	GSS31121N00	78	2	M1032580000	62	12
G3216270000	88	6	GSS31152N00	82	22	M300451100A	60	54
G5080397000	40	16	GSS31171N00	78	21	M3801476000	58	8
G5519164000	82	31	GSS36020000	56	16	M4206461000	58	12
G5901126000	88	1	GST20004000	78	4	MAO11532000	60	58
G5902126000	88	2	HA005820000	40	31	MAO91003000	76	50
G7523870000	82	29	HA005820000	64	3	MAS05507000	72	4
G80318750A0	88	3	HD000570000	24	36	MAS059010A0	72	10
GAE030120A0	74	47	HD000570000	64	32	MAS05905000	72	12
GAE03018000	74	45	HD002860000	76	56	MAS05910000	72	13
GAE03020000	74	17	HD00286000A	76	53	MAS05926000	72	14
GAE03021000	74	14	HF00130315S	60	55~57	MAS10704000	78	5
GAE03022000	74	16	HF0013050P0	60	55~57	MAS15505000	72	18
GAE03023000	74	12	HF003000200	60	55~57	MAS15507000	72	20
GAE03025000	74	15	HK016510060	76	60	MAT81163T00	56	15
GAE03028000	74	22	HK016540000	76	57	MC200500750	10	12·13
GAE03032000	74	31	HK016590060	38	56	MC200500752	68	18·19
GAE03040000	74	3	HK034610140	28	46	MDB100B1100	10	12·13
GAE03041000	74	2	HK03464000B	30	65	MDB100B1102	68	18·19
GAE03042000	74	5	HK03464000B	32	15	MDFRX1600C0	68	16
GAE030450A0	74	4	HM000480010	58	23	MTSHJ100003	60	60
GAE040140A0	76	49	HX00065000A	36	21	NM3040520SC	58	25
GAE04019000	74	21	HX000930000	46	94	NM5030550SE	90	25
GAE04027000	74	20	HX00150000C	36	15	NM6030001SC	46	59
GAE04029000	74	23	HX00150000D	36	32	NM6030001SC	50	30
GAE04038000	74	40	HX00150000D	50	44	NM6040000SN	30	56
GAE04039000	74	39	HX00150000D	80	77	NM6040001SC	82	41
GAK300010B0	54	18	HX00150000F	78	10	NM6040001SD	20	5
GAK30005000	54	21	HX00150000M	36	14	NM6040001SP	6	41
GAK39005000	54	16	HX001890000	74	35	NM6040001SP	48	99
GAK39007000	54	13	HX00223000A	46	77	NM6040001SP	72	25
GAK53001000	54	15	HX00285000A	74	38	NM6040002SE	70	62
GAK53002000	54	12	HX002920000	78	12	NM6040003SC	44	17
GAS11154000	82	23	HX00314000A	38	22·75	NM6050001SE	68	52
GCT02906000	68	9~13	HX00314000B	36	22·75	NM6050001SE	70	52
GET04102000	72	3	HX00326000K	58	35	NM6050001SP	6	39
GSS29121000	82	2	HX003390000	58	20	NM6050003SC	72	22
GSS29125000	82	15	HX004070000	58	26	NM6060001SC	82	58
GSS29201000	80	50	HX00410000A	58	31	NM6060001SC	84	58

# NUMERICAL INDEX OF PARTS

PART NO	PAGE	REF NO.	PART NO	PAGE	REF NO.	PART NO	PAGE	REF NO.
NM6060001SE	54	23	PJ304065101	56	12	RO098240100	54	6
NM6080001SC	52	57	PJ304065101	78	32	RO133170100	4	60
NM6080001SC	58	11	PJ308060003	56	19	RO195240100	34	2
NM6080002SC	60	65	PJ308060003	78	20	SD0400201SD	74	29
NM6080003SC	82	25	PJ308060004	56	23	SD0460703TP	28	2
NM6080721SE	56	4	PJ308065202	56	20	SD0500095TH	28	4
NM6120003SE	40	12	PJ309520001	68	23	SD0550212TP	2	7
NM6120003SE	78	26	PV015110000	82	32	SD0600322SD	12	11
NM6160511SE	68	43	PV035161000	78	30	SD0600361SP	30	62
NM6160511SE	88	9	PV130540000	78	27	SD0630275SP	28	18
NS6110310SP	42	30	PV1351280A0	56	7	SD0640321SP	24	6
NS6110310SP	46	80	PV150104000	78	33	SD0640321SP	46	83
NS6110420SP	32	19	PV205101000	82	34	SD0640451TP	22	53
NS6110420SP	46	93	PX055104000	78	31	SD0640631TP	30	48
NS6110420SP	74	51	PX500014000	78	35	SD0641103TP	46	76
NS6110420SP	76	51	RC0150001KP	16	38	SD0641451SP	28	17
NS6120310SP	20	23	RC0260415KP	14	51	SD0700451TP	32	1
NS6150430SP	28	33	RC0330415KP	20	35	SD0700711TP	32	6
NS6150430SR	54	11	RC0560711KP	42	18	SD0720331SP	12	10
NS6240630SP	78	8	RC1850001KP	6	22	SD0790204SP	76	48
NS6620310SP	14	59	RE0150000K0	74	13	SD0800337TP	72	36
NS6620310SP	20	62	RE0200000K0	74	36	SD0870401SP	24	15
NS6620310SP	22	62	RE0400000K0	12	54	SD1000801SH	18	48
NS6660410SH	30	58	RE0400000K0	14	54	SE4301041SR	34	30
NS6660430SP	30	59	RE0400000K0	28	39	SK3311601SE	86	19
NS6680410SP	18	52	RE0400000K0	32	20	SK3412001SE	36	34
PA1004505A0	80	59	RE0400000K0	42	19	SK3412001SE	52	56
PA2002510A0	54	14	RE0400000K0	54	19	SK3451601SE	68	29
PA2005018A0	82	17	RE0500000K0	12	16	SK3512001SE	60	59
PA2007509A0	82	40	RE0500000K0	16	28	SK3512001SE	68	25
PA3215001A0	82	16	RE0500000K0	28	51	SK3512001SE	86	16
PA900053000	82	1	RE0500000K0	30	51	SK3512001SF	88	11
PB000010000	68	22	RE0500000KP	32	4	SL4020591SC	26	51
PC012601000	56	6	RE0600000K0	28	34	SL4021091SC	36	46
PC015108000	82	18	RE0600000K0	50	36	SL4030681SC	46	60
PD02010000B	78	3	RE0700000K0	20	10	SL4030681SC	50	29
PJ301045101	82	33	RE0900000K0	44	9	SL4030681SC	74	41
PJ301060503	40	20	RE1000000K0	54	7	SL4030691SC	52	48
PJ301065201	56	14	RE1200000K0	32	11	SL4030851SF	34	21
PJ303060001	56	21	RO029180100	6	31	SL4031081SF	24	35
PJ304040504	80	58	RO037180100	12	3	SL4040881SC	58	19
PJ304045102	78	34	RO044240100	6	13	SL4040891SC	36	16
PJ304045102	82	35	RO069180100	2	26	SL4040891SC	58	36
PJ304060501	78	23	RO069180100	24	28	SL4040891SC	78	24
PJ304060502	40	19	RO092270200	16	14	SL4041081SC	36	44

NUMERICAL INDEX OF PARTS

PART NO	PAGE	REF NO.	PART NO	PAGE	REF NO.	PART NO	PAGE	REF NO.
SL4041081SC	40	30	SM6040860TP	38	70	SS4060310SP	4	71
SL4041081SC	60	50	SM6041002TP	50	11	SS4080620TP	12	32
SL4041091SC	58	42	SM6041202TN	36	2	SS4080620TP	16	27
SL4041091SC	78	9	SM6041202TP	44	25	SS4080620TP	28	9
SL4043591SC	58	24	SM6041202TP	50	18	SS4080620TP	74	37
SL4044091SE	78	37	SM6041410SC	8	56	SS4090615SP	6	19
SL6031092TN	44	29	SM6042502TN	82	36	SS4090815SP	22	59
SL6041092TN	36	17	SM6061202TP	82	38	SS4110515SP	14	68
SL6041092TN	42	41	SM6061602TP	84	57	SS4110515SP	16	23
SL6041092TN	44	5	SM6061610SC	68	33	SS4110615SP	24	41
SL6041092TN	50	16	SM6064002TP	82	39	SS4110715SP	28	28
SL6051092TN	54	17	SM6064502TP	82	11	SS4110715SP	74	1
SL6051092TN	72	37	SM6082502TP	82	20	SS4110915TP	10	33
SL6051092TN	80	56	SM6084002TN	60	61	SS4110915TP	24	19
SL6053092TN	6	36	SM8030412TP	44	12	SS4120615SP	2	79
SL6083092TN	58	9	SM8040412TP	50	8	SS4120615SP	4	79
SL9082091SE	40	10	SM8040802TP	8	53	SS4120615SP	14	67
SL9082091SE	78	13	SM8040802TP	42	23	SS4120615SP	34	13
SL9082091SE	86	15	SM8050412TP	82	10	SS4120915SP	2	73
SM0050801SC	42	24	SM8050502TP	42	22	SS4120915SP	4	73
SM0850801SC	74	34	SM8050612TP	8	51	SS4120915SP	10	28
SM1031401SE	90	32	SM8050612TP	42	39	SS4120915SP	24	10
SM1031601SC	90	17	SM8060612TP	6	50	SS4120915SP	36	37
SM1032001SC	46	56	SM8060612TP	8	50	SS4121415SP	2	31
SM1032001SC	50	33	SM8063012TR	54	25	SS4121415SP	6	43
SM1040601SC	82	30	SM9043553TN	6	40	SS4150715SP	36	13
SM1041400SP	48	98	SM9061613SC	80	52	SS4150915SP	28	47
SM1051601SC	40	22	SM9061613SC	86	27	SS4150915SP	32	17
SM4020600SP	44	34	SM9061853SR	54	9	SS4150915SP	34	33
SM4021201SC	36	30	SM9081603SC	82	24	SS4151215SP	30	63
SM4030601SN	42	32	SM9081620SE	56	5	SS5060410SP	44	36
SM4030601SN	72	23	SM9088013SE	50	34	SS5090420SP	72	27
SM4041001SC	70	58	SQ1150501SD	34	6	SS6060510TP	90	10
SM4041001SN	56	8	SS1080510SP	18	60	SS6080340SP	34	4
SM4041055SP	72	24	SS1110640TP	46	81	SS6080410SP	2	33
SM4041201SC	70	60	SS1110710SP	2	13	SS6080410SP	44	31
SM4042001SC	70	61	SS1110840SP	52	54	SS6080410SP	74	46
SM4050801SC	56	2	SS1120710SP	2	38	SS6090510SP	28	16
SM4051405SE	68	47	SS2060210SP	28	8	SS6090510TP	18	58
SM5040655SN	42	21	SS2060510SP	44	44	SS6090620TP	16	51
SM5051001SN	88	8	SS2060510SP	52	51	SS6090620TP	18	51
SM6030600SP	44	41	SS2090810SP	12	38	SS6090630TP	20	13
SM6040602TN	48	96	SS2110915SP	4	81	SS6090670TP	10	6
SM6040602TP	44	7	SS2111010TP	72	26	SS6090670TP	16	7
SM6040802TP	36	35	SS3060410SP	74	24	SS6110420TP	10	30

NUMERICAL INDEX OF PARTS

PART NO	PAGE	REF NO.	PART NO	PAGE	REF NO.	PART NO	PAGE	REF NO.
SS6110480SP	12	22	SS7110740TP	50	5	TA0850604R0	20	27
SS6110610TP	2	39	SS7110840SP	38	59	TA1250406R0	2	43
SS6110610TP	20	39	SS7110840SP	88	7	TA1250705R0	2	23
SS6110610TP	38	64	SS7110910TP	12	37	TA1250705R0	50	43
SS6110630TP	46	79	SS7110910TP	38	72	TA1470702R0	2	16
SS6110710TP	30	52	SS7110910TP	44	27	TA1470704R0	2	15
SS6111010TP	34	34	SS7111120TP	18	63	TA1750502R0	24	33
SS6111040SP	2	4	SS7111120TP	72	28	TA2050805R0	80	48
SS6121010SP	2	25	SS7111810TP	72	29	TA2101002R0	2	70
SS6121010SP	24	3	SS7121410SP	24	14	TA2101002R0	4	70
SS6121210SP	18	56	SS7121410TP	16	40	TA2351004R0	4	77
SS6121220TP	12	49	SS7620750SP	24	40	WP0250516SD	44	33
SS6121220TP	14	49	SS7681650TP	6	14	WP0280501SC	74	33
SS6121220TP	16	5	SS7701010SP	36	11	WP0320501SC	46	58
SS6121220TP	20	66	SS8060210TP	46	55	WP0320501SC	50	32
SS6121220TP	22	66	SS8060210TP	52	49	WP0320501SC	72	39
SS6121250TP	20	9	SS8090410SP	4	59	WP03305000E	90	31
SS6121250TP	24	31	SS8110320SP	50	47	WP0430801SC	82	37
SS6121610SP	18	54	SS8110410TP	10	36	WP0450000SD	30	55
SS6121840SP	26	48	SS8110422TP	14	50	WP0450000SD	72	30
SS6121860SP	16	43	SS8110520TP	28	22	WP0450801SC	74	30
SS6123010SP	38	66	SS8110520TP	46	69	WP0450801SD	36	9
SS6660610TP	28	20	SS8110710SP	46	65	WP0450801SD	50	6
SS6661110SP	6	17	SS8110710SP	50	39	WP0450826SC	42	20
SS6700710SH	54	5	SS8120410SP	20	26	WP0450846SP	50	12
SS7060310SP	74	18	SS8120740SP	20	56	WP0460556SD	24	25
SS7060510SP	46	53	SS8120740SP	22	56	WP0480856SP	16	41
SS7060510SP	50	42	SS8150410TP	20	30	WP0480856SP	36	38
SS7060610SP	44	38	SS8150710TP	16	35	WP0480856SP	72	40
SS7060610SP	74	28	SS8150822TP	4	61	WP0501016SD	6	44
SS7080510TP	10	10	SS8151150SP	6	1	WP0502616SD	38	60
SS7090610SP	28	42	SS8660410SP	20	46	WP0531000SC	72	38
SS7090620TP	12	20	SS8660530TP	22	70	WP0531000SD	6	37
SS7090910TP	20	49	SS8660610TP	6	34	WP0550800SP	40	17
SS7090910TP	22	49	SS8660610TP	14	70	WP0561616SC	68	26
SS7110510SP	38	65	SS8660610TP	16	46	WP0561616SC	88	10
SS7110510SP	80	61	SS8660810TP	10	23	WP0612066SP	72	31
SS7110570SP	20	19	SS8681650TP	6	33	WP0612516SD	72	32
SS7110710SP	4	83	SS9151540SR	54	10	WP0621016SD	36	10
SS7110710SP	36	8	SS9660910SP	24	44	WP0621016SD	54	20
SS7110710SP	46	91	ST4031051SN	62	3	WP0621016SD	82	13
SS7110740TP	14	65	ST9053511SR	40	29	WP0621016SH	28	32
SS7110740TP	16	42	ST9053511SR	56	10	WP0641601SC	84	56
SS7110740TP	32	9	TA0750404R0	2	29	WP0641601SD	80	54
SS7110740TP	38	57	TA0850604R0	2	22	WP0650816SP	12	26



## NUMERICAL INDEX OF PARTS

PART NO	PAGE	REF NO.
WP0650876SD	72	33
WP0651646SC	68	31
WP0651646SC	86	28
WP0661016SP	12	28
WP0722316SH	32	18
WP0841601SC	58	63
WP0841601SC	60	63
WP0841601SC	82	7
WP0852086SC	60	62
WP1052001SC	78	6
WP1052001SC	82	28
WP1302501SC	78	28
WP1302501SE	86	11
WP1612616SE	68	45
WP1703001SC	32	12
WS0310702KS	46	57
WS0310702KS	50	31
WS0410002KP	50	13
WS0451040KP	34	36
WS0510002KN	70	49
WS0510002KP	6	45
WS0610002KN	80	53
WS0610002KN	82	59
WS0610002KN	84	59
WS0610002KN	86	29
WS0651310KP	34	37
WS0820002KN	82	21
WS0820002KR	60	64
WS1020002KN	78	7
WS1020002KN	82	27
WS1253010KN	86	12
WS1643202KR	68	44