

MODEL : AMS-210ENHL1306/7300

List No : 1525-02

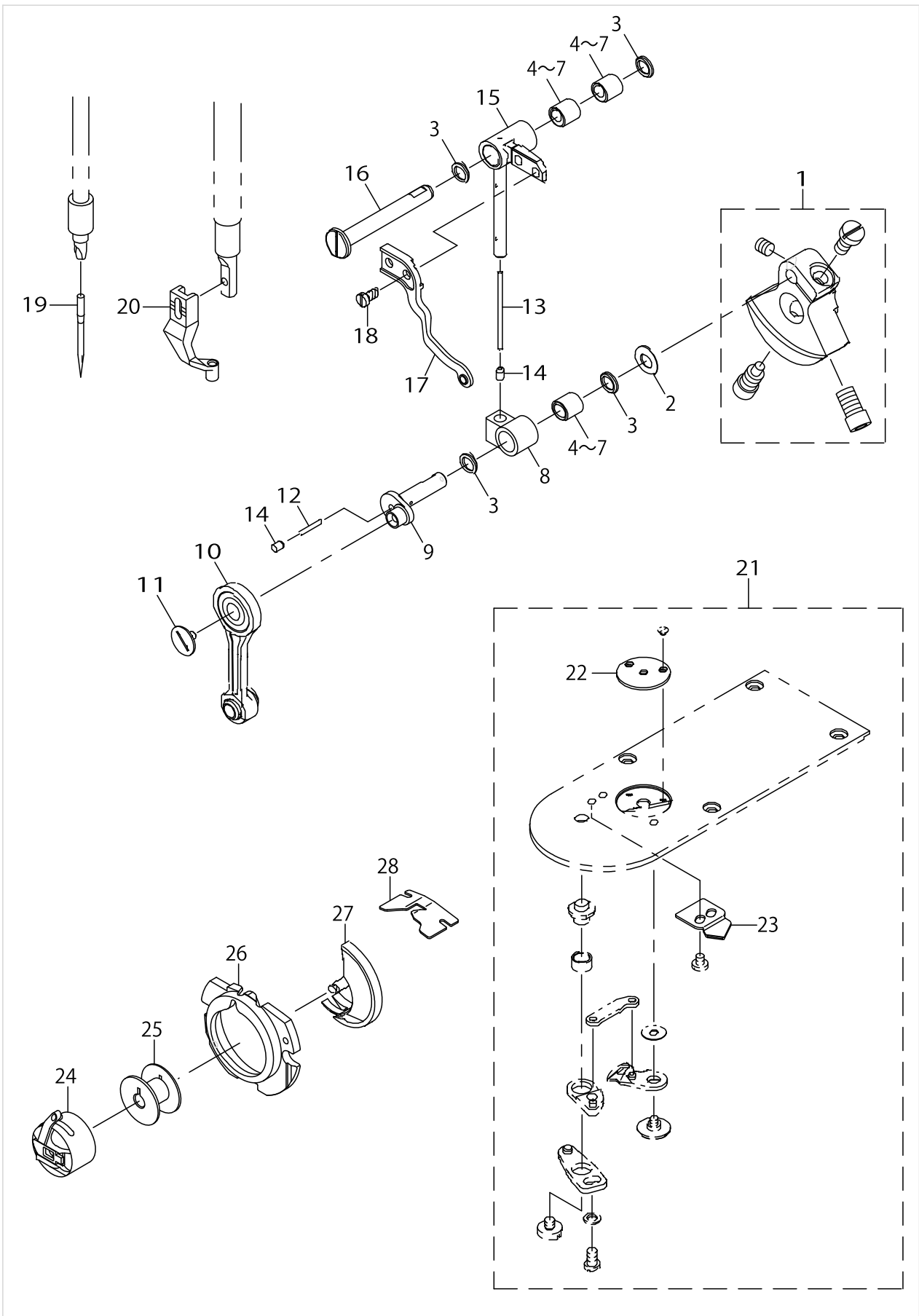
PARTS LIST

Published:09/10/2017

CONTENTS

COMPONENTS (1).....	1
COMPONENTS (2).....	3
HOW TO MAKE USE OF THIS PARTS LIST	5

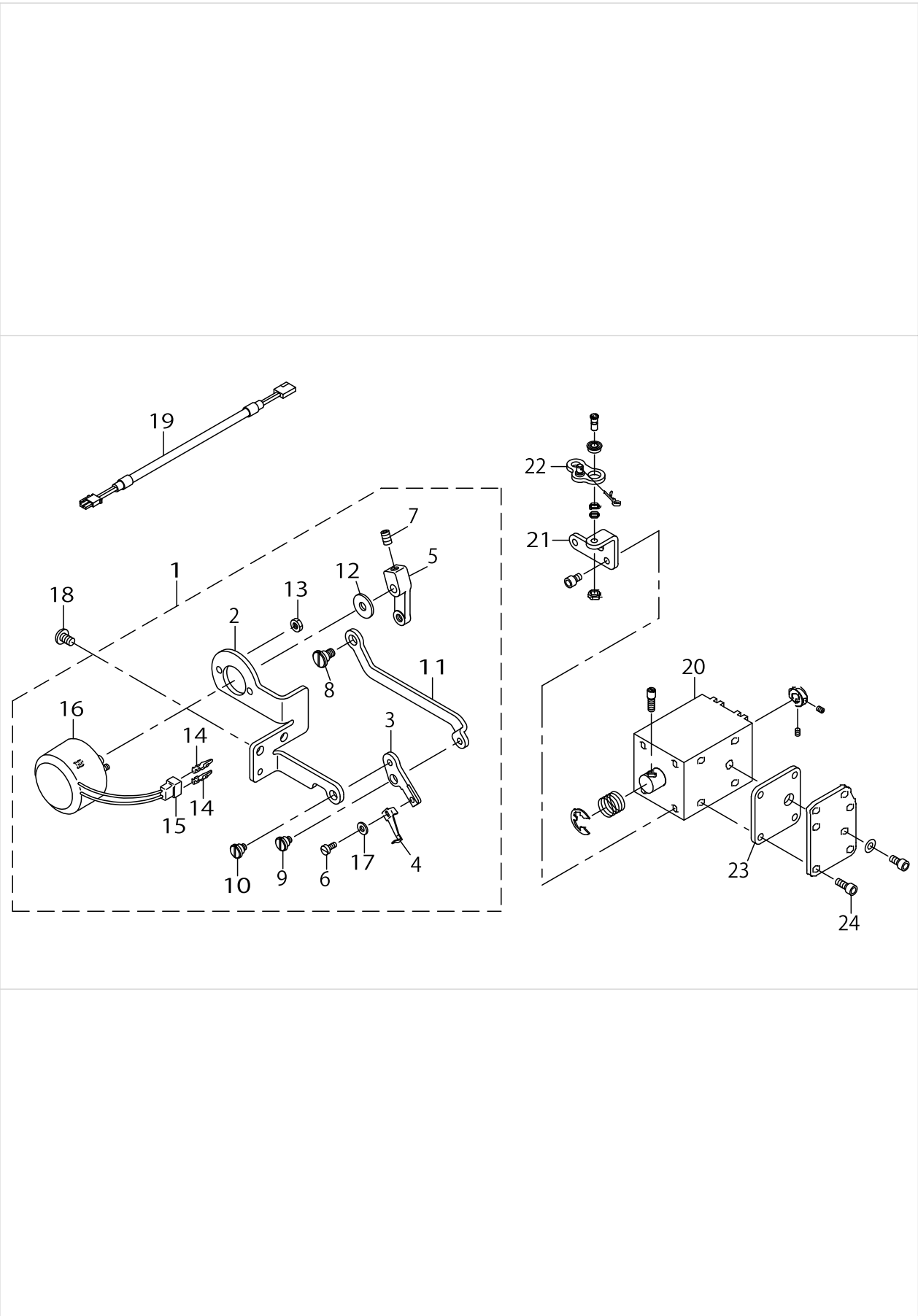
COMPONENTS (1)



COMPONENTS (1)

No.	Parts No.	Parts name	Remarks	Level	Cons	Qty
1	40053774	COUNTER_WEIGHT_ASM.				1
2	10548501	THREAD TAKE-UP CRANK SPACER				1
3	22891204	BEARING SUPPORT				4
4	SB30700020A	BEARING	SELECTIVE PARTS			3
5	SB30700020B	BEARING	SELECTIVE PARTS			3
6	SB30700020C	BEARING	SELECTIVE PARTS			3
7	SB30700020D	BEARING	SELECTIVE PARTS			3
8	40085663	SLIDE BLOCK				1
9	40085664	NEEDLE BAR CRANK				1
10	40006534	NEEDLE_BAR_CRANK_ROD_ASM.				1
11	B1903552000	LEFT SCREW				1
12	CQ202000000	OIL WICK				0.01
13	CQ202000000	OIL WICK				0.04
14	22810907	RUBBER PLUG				2
15	40049378	SLIDE SHAFT				1
16	40011902	THREAD_TAKE_UP_CRANK_SHAFT				1
17	40085665	THREAD TAKE UP LEVER COMPL.				1
18	SM6040750TP	SCREW M4 L=7				2
19	MDP170B2500	NEEDLE DPX17 #25				1
20	14433601	INTERMEDIATE PRESSER K				1
21	40053776	NEEDLE_PLATE_ASM.				1
22	B242621000F	NEEDLE HOLE GUIDE D=3.0		*		1
23	B2424210A00	FIX KNIFE		*		1
24	B1828210DAC	BOBBIN CASE ASM.				1
25	B1806210D0A	BOBBIN				1
26	B1817210DAE	SHUTTLE RACE RING ASM..E				1
27	40061991	SHUTTLE				1
28	B1815210D0A	SPRING				1

COMPONENTS (2)



COMPONENTS (2)

No.	Parts No.	Parts name	Remarks	Level	Cons	Qty
1	40035867	WIPER ASM.				1
2	40035866	WIPER_BASE		*		1
3	40036230	WIPER INSTALLING PLATE		*		1
4	B2107210000	WIPER		*		1
5	40036392	WIPER ARM		*		1
6	SM67506C0TP	SCREW M3.5 L=6		*		1
7	SM8050812TP	SCREW M5X8		*		1
8	SD0700406TP	SHOULDER SCREW		*		1
9	SD0640327TP	SHOULDER SCREW D=6.35 H=3.2		*		1
10	SD0640327TP	SHOULDER SCREW D=6.35 H=3.2		*		1
11	40036229	WIPER CONNECTING PLATE		*		1
12	WP0561616SC	WASHER 5.6X16X1.6		*		1
13	NM6040003SC	NUT M4		*		2
14	HP000200200	PIN-SHAPE TERMINAL, MALE		*		2
15	HK018800020	2-POLE PLUG		*		1
16	B2101220000	WIPER SOLENOID		*		1
17	WP0371016SD	WASHER 3.7X8X1		*		1
18	SM4050855SP	SCREW				2
19	40058422	WIPER RELAY CABLE ASM.				1
20	40090556	AT_SOLENOID				1
21	40051347	AT_PIVOT_BASE(R)				1
22	40052752	AT_DRIVE_LINK(R)_ASM.				1
23	40051348	AT_SOLENOID_SPASER				1
24	SM6041002TP	SCREW M4 L=10				4

HOW TO MAKE USE OF THIS PARTS LIST

- 1.As to "#01" and "#02" refer to the "Note" given at the bottom of the respective pages.
- 2.Codes on the "Qty" column
 - Each numeral indicates the number of parts required.
 - "0.1" and "2.5" indicate the length (in meters) of the respective parts.
- 3.Parentheses mean that the corresponding part is a subpart that constructs an assembly part.
- 4.Dotted lines on the Figures indicate assembly parts.

1. リストページの#01、#02の印は、ページ下の"注記"の説明を参照下さい。
2. 数量欄の数字は、個数を表し、0.1、2.5等の数値は、長さ（単位メートル）を表します。
3. 数量欄の（ ）は、組部品を構成している子部品であることを意味します。
4. イラストページの-----枠は、組構成であることを意味します。

Please refer to Parts List of AMS-210EN/IP-420 for the matters not mentioned on this Parts List.

本パーツリストに記載なきものは、AMS-210EN/IP-420のパーツリストをご覧ください。

NUMERICAL INDEX OF PARTS

PART NO	PAGE	REF NO.	PART NO	PAGE	REF NO.
10548501	2	2	SM6041002TP	4	24
14433601	2	20	SM67506C0TP	4	6
22810907	2	14	SM8050812TP	4	7
22891204	2	3	WP0371016SD	4	17
40006534	2	10	WP0561616SC	4	12
40011902	2	16			
40035866	4	2			
40035867	4	1			
40036229	4	11			
40036230	4	3			
40036392	4	5			
40049378	2	15			
40051347	4	21			
40051348	4	23			
40052752	4	22			
40053774	2	1			
40053776	2	21			
40058422	4	19			
40061991	2	27			
40085663	2	8			
40085664	2	9			
40085665	2	17			
40090556	4	20			
B1806210D0A	2	25			
B1815210D0A	2	28			
B1817210DAE	2	26			
B1828210DAC	2	24			
B1903552000	2	11			
B2101220000	4	16			
B2107210000	4	4			
B2424210A00	2	23			
B242621000F	2	22			
CQ202000000	2	13			
HK018800020	4	15			
HP000200200	4	14			
MDP170B2500	2	19			
NM6040003SC	4	13			
SB30700020A	2	4~7			
SB30700020B	2	4~7			
SB30700020C	2	4~7			
SB30700020D	2	4~7			
SD0640327TP	4	10			
SD0700406TP	4	8			
SM4050855SP	4	18			
SM6040750TP	2	18			