

MODEL : IP-420

List No : 1524-01

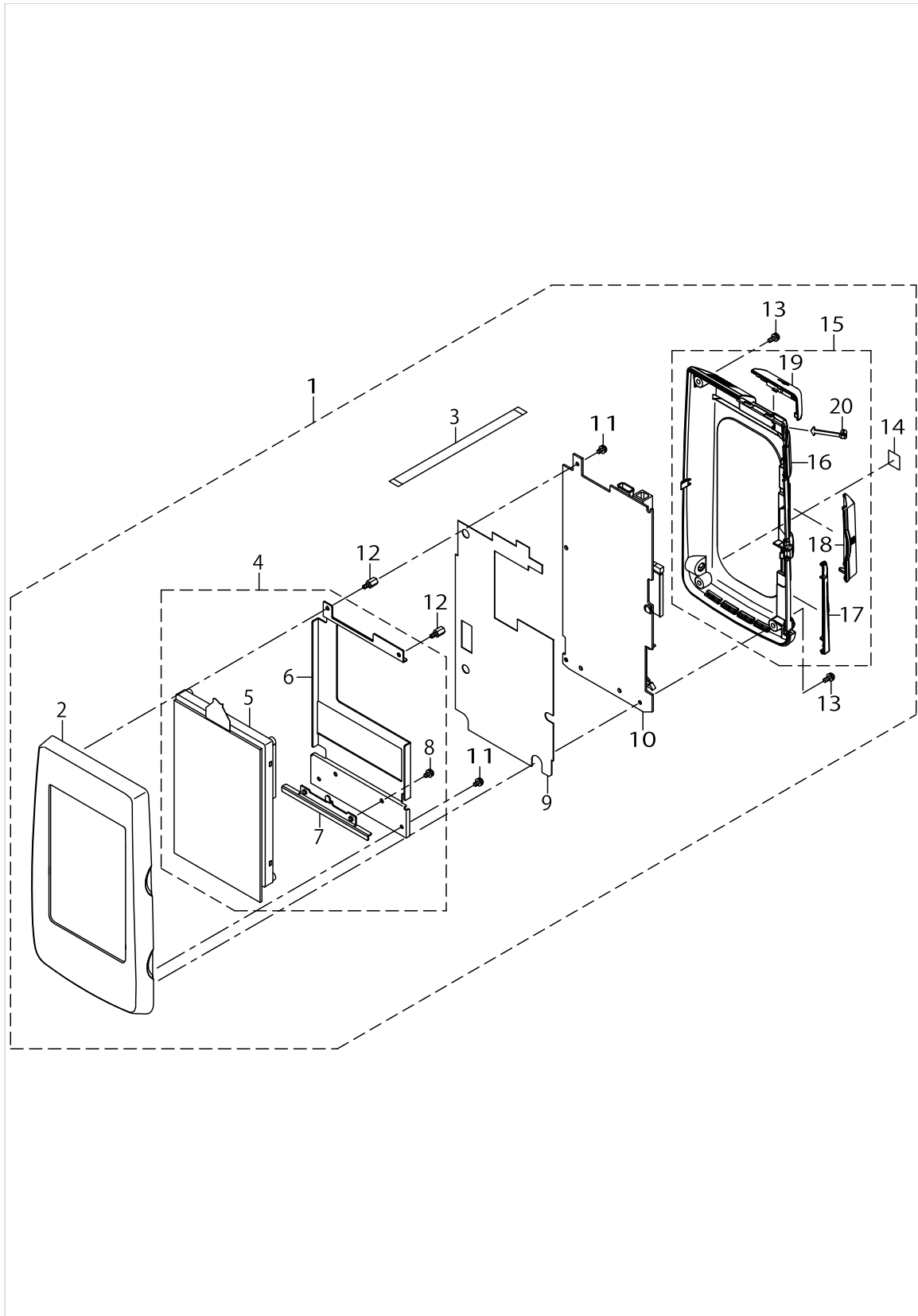
# PARTS LIST

Published:09/10/2017

## CONTENTS

---

IP-420.....	1
HOW TO MAKE USE OF THIS PARTS LIST .....	3



## IP-420

No.	Parts No.	Parts name	Remarks	Level	Cons	Qty
1	40086192	PANEL ASSY				1
2	40078163	FRONT_CASE		*		1
3	HW002180200	FLAT CABLE		*		1
4	40080800	LCD_ASSY		*		1
5	40086541	LCD TOUCH PANEL ASSY	TECHNICAL INFOMATION (A16-029)	*		1
6	40083668	LCD_BRACKET	TECHNICAL INFOMATION (A16-029)	*		1
7	40083666	LCD_STAY		*		1
8	SL4030681SC	SCREW M3 L=6		*		2
9	40078168	INSULATION_SHEET		*		1
10	40083960	PANEL PCB ASSY		*		1
11	SL4030681SC	SCREW M3 L=6		*		3
12	HX00354000B	PCB SUPPORT L=8MM		*		2
13	SL4030881SC	SCREW M3 L=8		*		4
14	CM600100101	WEEE MARK LABEL S		*		1
15	40080799	REAR_CASE_ASSY		*		1
16	40078166	REAR_CASE		*		1
17	40078162	CONNECTOR_COVER		*		1
18	40083667	CF_COVER		*		1
19	40078167	USB_COVER		*		1
20	40078164	UNITY_STRING		*		1

## HOW TO MAKE USE OF THIS PARTS LIST

1.As to "#01" and "#02" refer to the "Note" given at the bottom of the respective pages.

2.Codes on the "Qty" column

- Each numeral indicates the number of parts required.
- "0.1" and "2.5" indicate the length (in meters) of the respective parts.

3.Parentheses mean that the corresponding part is a subpart that constructs an assembly part.

4.Dotted lines on the Figures indicate assembly parts.

1. リストページの# 0 1、# 0 2の印は、ページ下の"注記"の説明を参照下さい。
2. 数量欄の数字は、個数を表し、0. 1、2. 5等の数値は、長さ（単位メートル）を表します。
3. 数量欄の（ ）は、組部品を構成している子部品であることを意味します。
4. イラストページの-----枠は、組構成であることを意味します。

## NUMERICAL INDEX OF PARTS

PART NO	PAGE	REF NO.
40078162	2	17
40078163	2	2
40078164	2	20
40078166	2	16
40078167	2	19
40078168	2	9
40080799	2	15
40080800	2	4
40083666	2	7
40083667	2	18
40083668	2	6
40083960	2	10
40086192	2	1
40086541	2	5
CM600100101	2	14
HW002180200	2	3
HX00354000B	2	12
SL4030681SC	2	11
SL4030881SC	2	13