

MODEL : MEB-3200

List No : 1523-09

# PARTS LIST

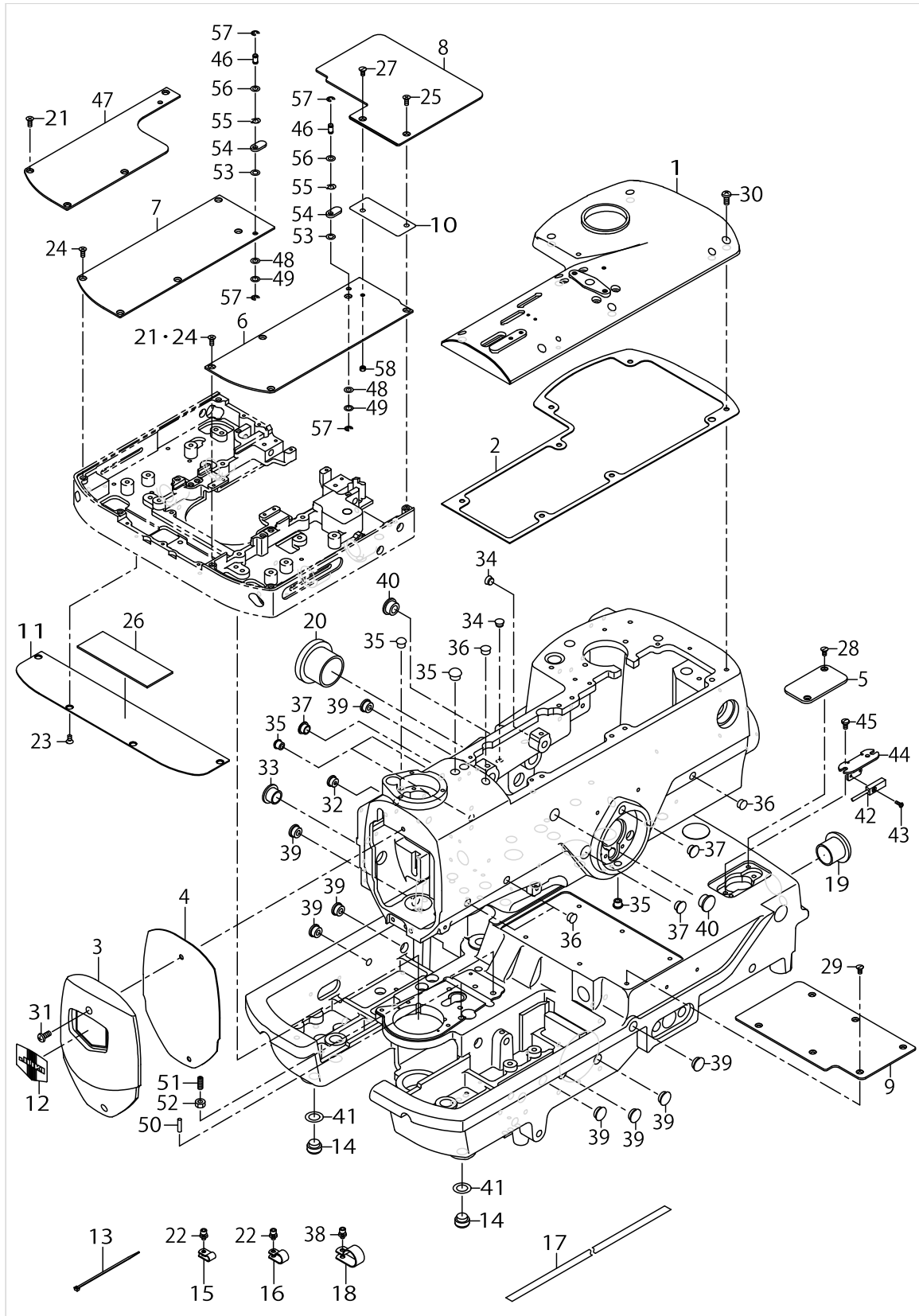
Published:12/19/2017

## CONTENTS

---

FRAME & MISCELLANEOUS COVER COMPONENTS(1).....	1
FRAME & MISCELLANEOUS COVER COMPONENTS(2).....	5
BOTTOM COVER COMPONENTS.....	9
FEED COMPONENTS.....	13
CLOTH OPEN COMPONENTS.....	17
LOWER THREAD CUTTING COMPONENTS (1) (FOR MEB-3200SS, RS).....	21
LOWER THREAD CUTTING COMPONENTS (2) (FOR MEB-3200JS, CS, JA, CA).....	25
LOWER THREAD CUTTING COMPONENTS (3) (FOR MEB-3200TS, TA).....	27
UPPER THREAD CUTTING COMPONENTS.....	29
PRESSER COMPONENTS (1) (FOR MEB-3200SS, JS, CS, TS, JA, CA, TA).....	31
PRESSER COMPONENTS (2) (FOR MEB-3200RS).....	35
REVOLUTION COMPONENTS.....	37
LOOPER DRIVING COMPONENTS.....	39
LOWER SHAFT COMPONENTS.....	45
UPPER SHAFT COMPONENTS.....	47
NEEDLE BAR DRIVING COMPONENTS.....	49
NEEDLE BAR ROCKING COMPONENTS.....	51
NEEDLE BAR COMPONENTS.....	53
THREAD TAKE-UP LEVER & THREAD GUIDE COMPONENTS.....	57
LOWER THREAD HAUL COMPONENTS.....	59
UPPER THREAD HAUL COMPONENTS.....	61
GIMP HAUL COMPONENTS.....	63
CLOTH CUTTING COMPONENTS (1).....	65
CLOTH CUTTING COMPONENTS (2).....	69
AIR COMPONENTS.....	71
LUBRICATION MECHANISM COMPONENTS.....	73
TABLE COMPONENTS.....	75
TRANSMISSION COMPONENTS (1).....	77
TRANSMISSION COMPONENTS (2).....	81
OPERATION BOX COMPONENTS.....	83
WIRING DIAGRAM.....	85
OPTION COMPONENTS(1).....	89
OPTION COMPONENTS(2).....	93
OPTION COMPONENTS(3).....	95
ACCESSORY PARTS COMPONENTS.....	99
HOW TO MAKE USE OF THIS PARTS LIST.....	103

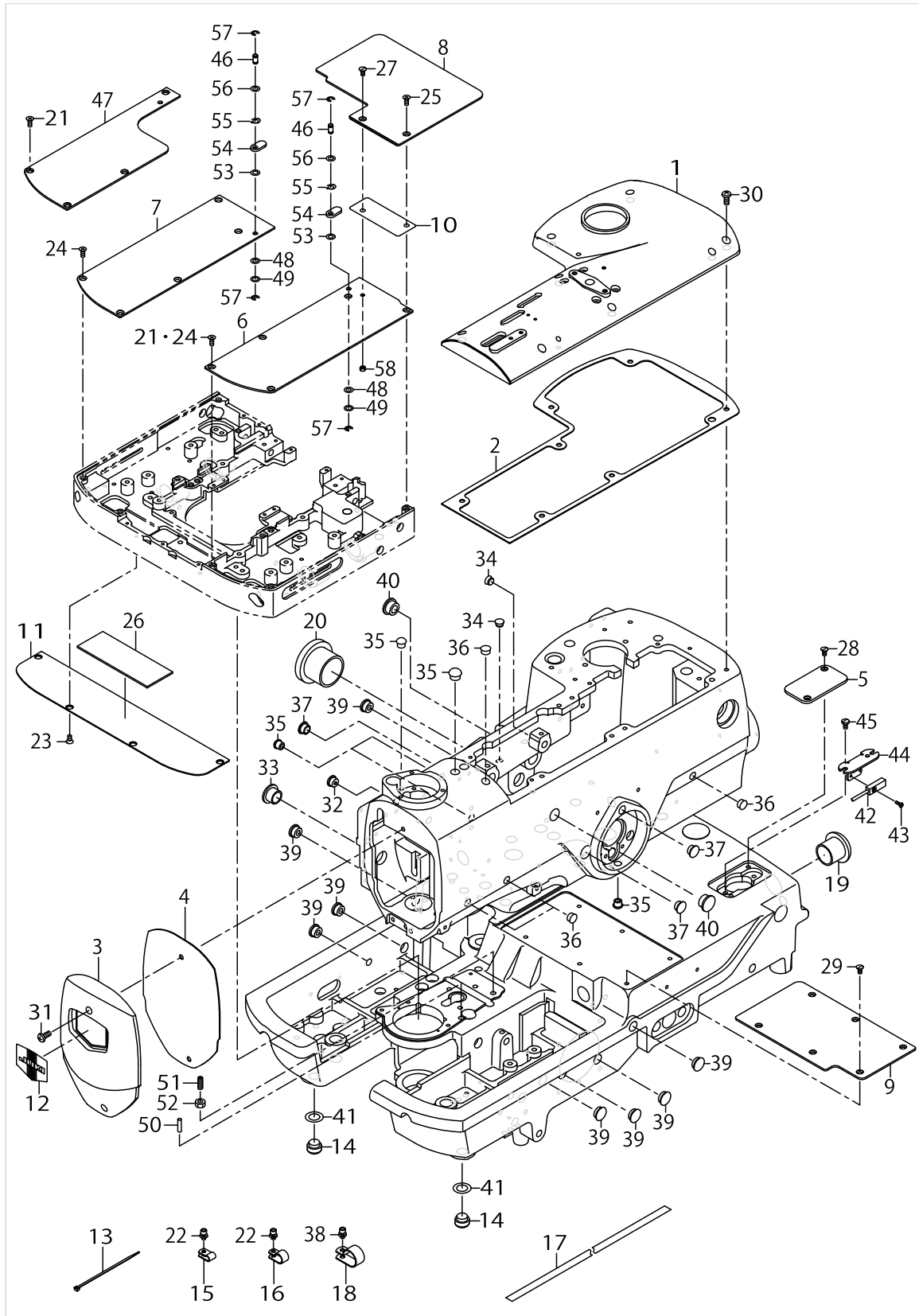
FRAME & MISCELLANEOUS COVER COMPONENTS(1)



FRAME & MISCELLANEOUS COVER COMPONENTS(1)

No.	Parts No.	Parts name	Remarks	Level	Cons	Qty
1	32000507	TOP COVER				1
2	32000606	TOP COVER PACKING				1
3	32000705	FACE COVER				1
4	32000804	FACE COVER PACKING				1
5	32001000	SENSOR COVER				1
6	32001208	AUXILIARY COVER RIGHT				1
7	32001307	AUXILIARY COVER LEFT	EXCEPT MEB-3200RS			1
8	32001604	MOVING COVER				1
9	32001703	MOVING COVER HOLDING PLATE				1
10	32001802	MOVING COVER SPACER				1
11	32002107	FEEDER BASE LOWER COVER				1
12	11000403	PLATE				1
13	EA9500B0100	CABLE BAND				15
14	G5314161000	CONVEYOR SUPPORT				2
15	HX00150000A	CABLE CLAMP				1
16	HX00150000C	CABLE CLIP				2
17	40066088	TAPE				0.84
18	HX00150000J	CLIP				1
19	HX00326000B	BUSH				1
20	HX00326000F	BUSH				1
21	SM1041001SN	SCREW M4X0.7 L=10	FOR MEB-3200RS			8
22	SL6040892TN	BOLT				3
23	SM1040801SC	SCREW M4X0.7 L=8				4
24	SM1041001SN	SCREW M4X0.7 L=10	EXCEPT MEB-3200RS			9
25	SM1041001SN	SCREW M4X0.7 L=10				1
26	32002602	FEED BASE LOWER COVER CUSHION				1
27	SS1110840SP	SCREW 11/64-40 L=8				1
28	SS1110840SP	SCREW 11/64-40 L=8				2
29	SS1110840SP	SCREW 11/64-40 L=8				6
30	SS4121215SP	SCREW 3/16-28 L=12				7
31	SS4121215SP	SCREW 3/16-28 L=12				2
32	10622009	CORD BUSH				1
33	B1150490000	RUBBER PLUG				1
34	TA0800501R0	PLUG D=8X8.2 L=5				2
35	TA0850604R0	RUBBER PLUG				5
36	TA0950806R0	RUBBER PLUG				4
37	TA1050504R0	RUBBER PLUG				3
38	SL6041092TN	SCREW				1
39	TA1250406R0	RUBBER PLUG D=12.5 L=4				8
40	TA1470704R0	RUBBER PLUG				2
41	WP1221016SP	WASHER				2
42	32076853	SENSOR ASM.				1
43	SM4860801SC	SCREW M2.6 L=8				1
44	32076903	SENSOR BRACKET				1
45	SS7110830SP	SCREW 11/64-40 L= 7.5				2
46	32002008	VERTICAL SHAFT				2
47	32032005	AUXILIARY COVER LEFT	FOR MEB-3200RS			1

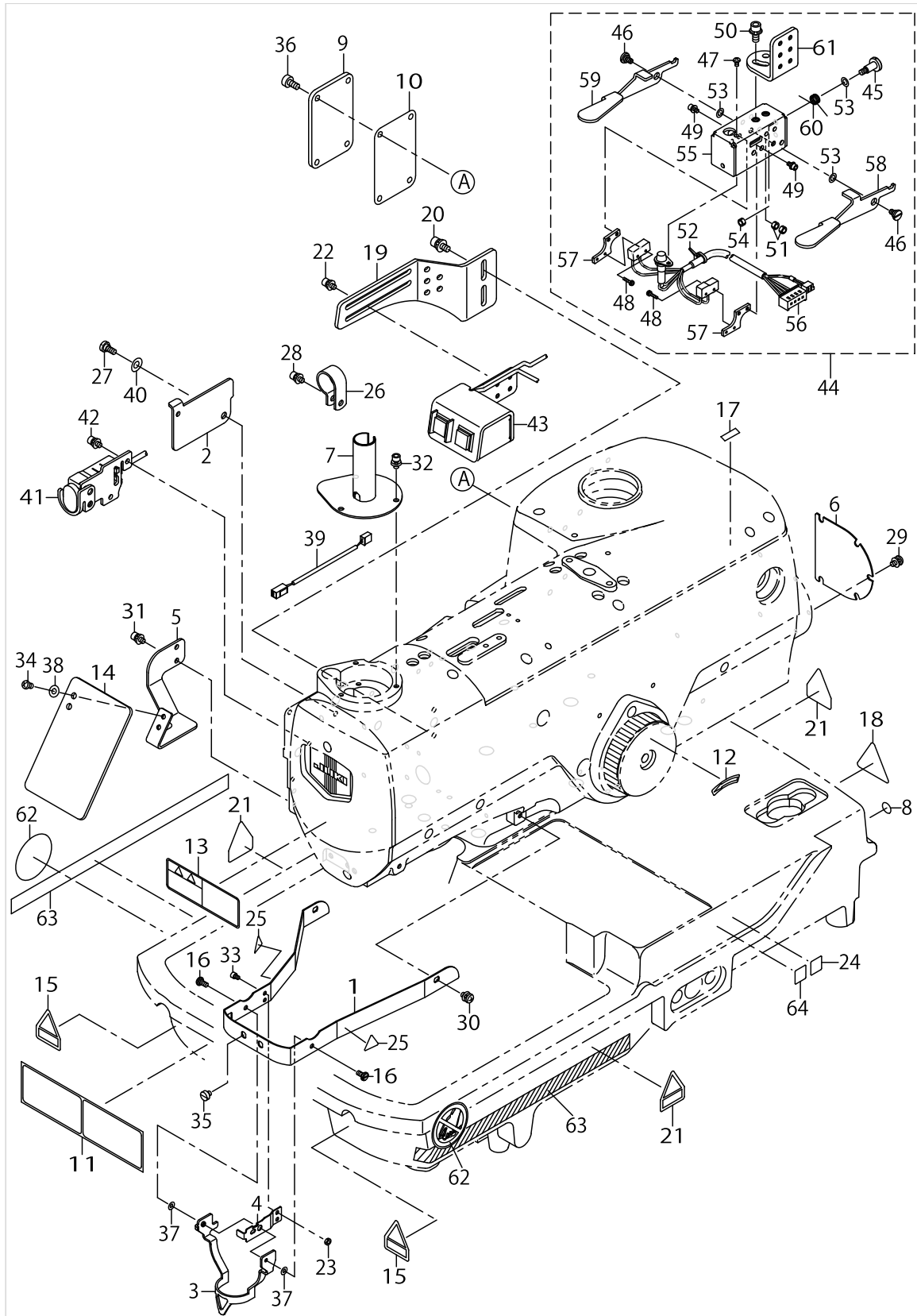
FRAME & MISCELLANEOUS COVER COMPONENTS(1)



FRAME & MISCELLANEOUS COVER COMPONENTS(1)

No.	Parts No.	Parts name	Remarks	Level	Cons	Qty
48	32003808	CLAMP RETAINER PLATE SPACER	FOR MEB-3200SS,RS			2
49	26217604	WASHER				2
50	PS0400162KP	SPRING PIN				1
51	SS8153010SR	SCREW 15/64-28 L=30				1
52	NS6150310SP	NUT 15/64-28				1
53	32003808	CLAMP RETAINER PLATE SPACER	FOR MEB-3200JS,CS,TS,JA, CA,TA			2
54	14012504	CLAMP HOLDING PLATE				2
55	WZ0620290KP	WAVED WASHER				2
56	WP0550800SP	WASHER 5.5X10X0.8				2
57	RE0400000KP	E-RING 4				4
58	NS6110310SP	NUT 11/64-40				1

FRAME & MISCELLANEOUS COVER COMPONENTS(2)

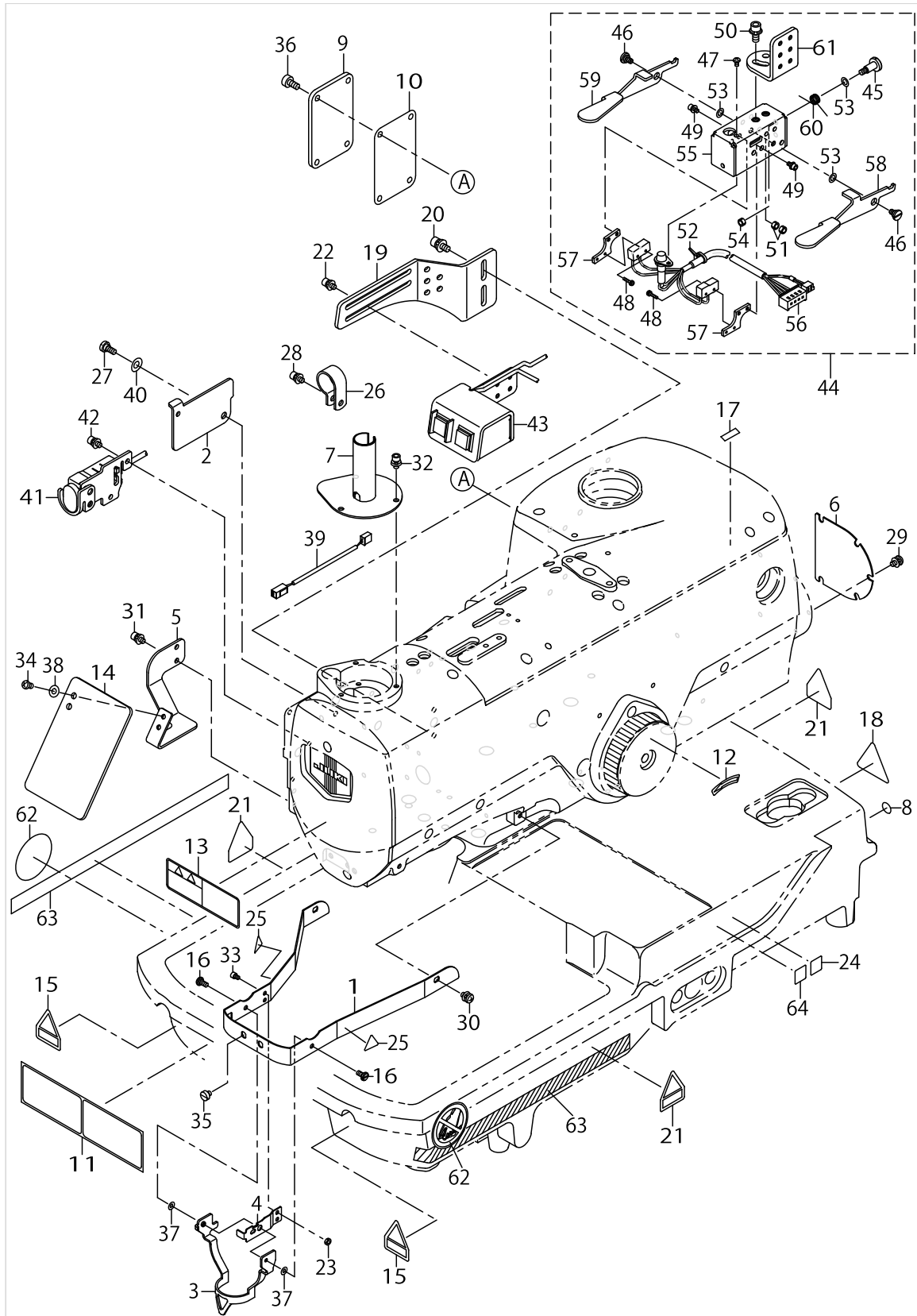


FRAME & MISCELLANEOUS COVER COMPONENTS(2)

No.	Parts No.	Parts name	Remarks	Level	Cons	Qty
1	32000903	REVOLUTION COVER				1
2	32001109	ADJUST COVER				1
3	32001406	FINGER GUARD				1
4	32001505	FINGER GUARD SPRING				1
5	40049095	SAFETY PLATE BRACKET				1
6	32002800	BEARING COVER				1
7	32003659	NEEDLE BAR COVER ASM.				1
8	10004109	GROUND MARK				1
9	10743003	SIDE COVER				1
10	10700706	SIDE COVER PACKING				1
11	40023425	LUBRICATION/THREADING SEAL				1
12	B1144210000	REVOLVING DIRECTION LABEL				1
13	CM301300001	SAFETY LABEL				1
14	26037200	SAFETY PLATE				1
15	CM300200002	CAUTION LABEL(25)				2
16	G5618830000	NEEDLE PRESSER SCREW				2
17	B1140761000	OILING LABEL				1
18	CM300100004	DANGER LABEL (50)				1
19	32076507	SWITCH FITTING PLATE SUPPORT				1
20	SL6051292TN	BOLT				2
21	CM300200003	ATTENTION LABEL				3
22	SL6041092TN	SCREW				4
23	NM6030003SC	NUT M3				2
24	CM600100101	WEEE MARK LABEL S	FOR JE			1
25	CM300200001	ATTENTION SEAL				2
26	HX00150000J	CLIP				1
27	SD0600271SP	HINGE SCREW D=6 H=2.7				1
28	SL6041092TN	SCREW				1
29	SL4040881SC	SCREW M4 L=8				5
30	SL4040881SC	SCREW M4 L=8				2
31	SL6040892TN	BOLT				2
32	SL6040892TN	BOLT				3
33	SM6030402TN	BOLT M3X4				2
34	SM4040655SP	SCREW M4 L=6				2
35	SS6110480SL	SCREW 11/64-40 L=4.3				2
36	SS6121010SP	SCREW 3/16-28 L=10				4
37	WP0320501SC	WASHER M3				2
38	WP0450801SD	WASHER 4.5X10X0.8				2
39	32002750	RELAY CABLE ASM.				1
40	WZ0620550KP	WASHER				1
41	32002354	SWITCH ASM.				1
42	SL6040892TN	BOLT				2
43	32076655	HAND SWITCH ASM.	OPTIONAL PARTS			1
44	32078552	NEAR SWITCH ASM.				1
45	SD0601021SP	HINGE SCREW D=6 H=10.2		*		1
46	SD0640231SP	HINGE SCREW D=6.35 H=2.3		*		2
47	SM4030501SC	SCREW M3X0.5 L=5		*		1



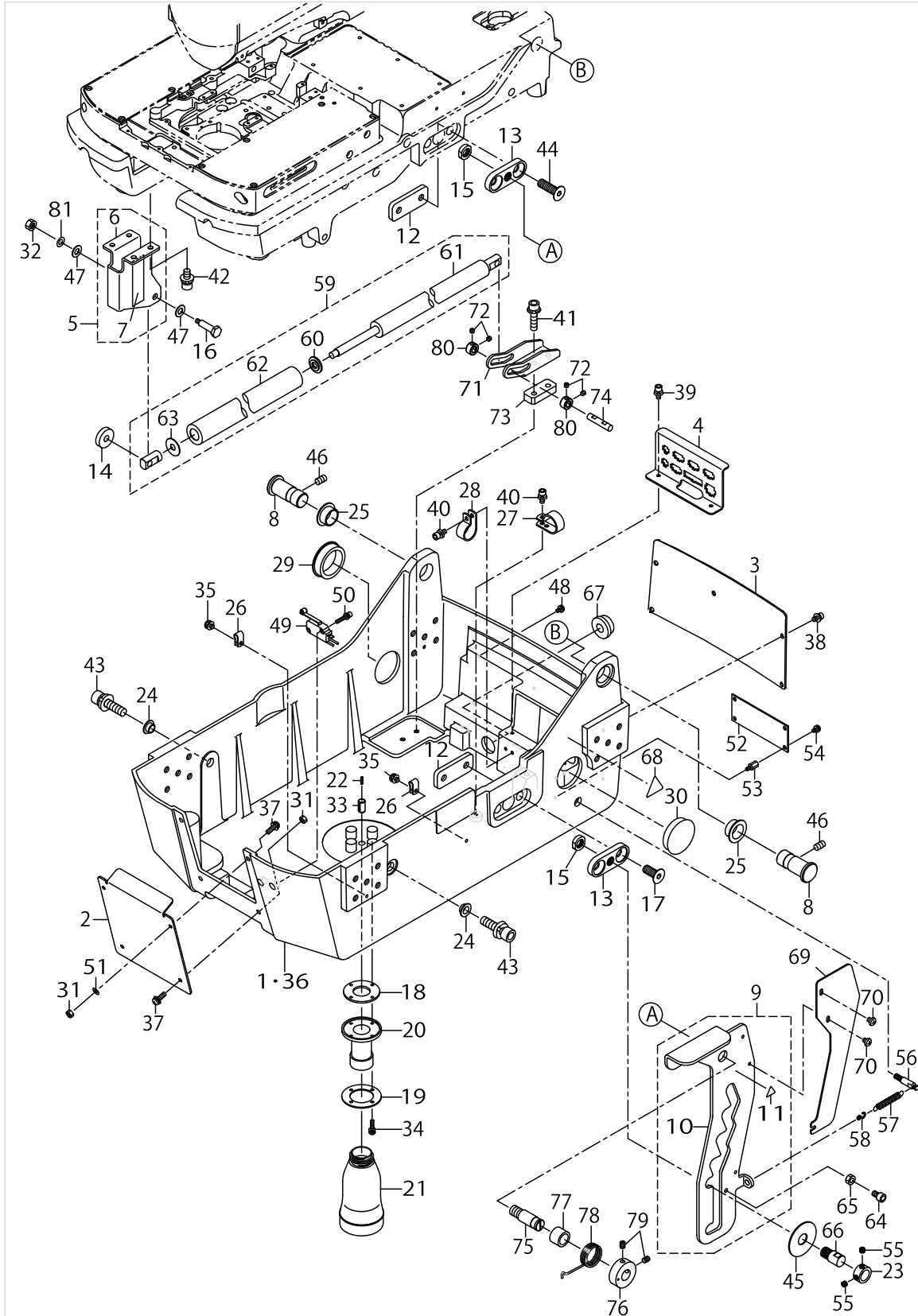
FRAME & MISCELLANEOUS COVER COMPONENTS(2)



FRAME & MISCELLANEOUS COVER COMPONENTS(2)

No.	Parts No.	Parts name	Remarks	Level	Cons	Qty
48	SL4021091SC	SCREW M2 L=10		*		4
49	SL6030692TN	BOLT		*		4
50	SL6051292TN	BOLT		*		2
51	NS6110310SP	NUT 11/64-40		*		2
52	EA9500B0100	CABLE BAND		*		1
53	WP0480856SP	WASHER 4.8X8.4X0.8		*		3
54	NS6110310SP	NUT 11/64-40		*		1
55	32078503	SWITCH BOX		*		1
56	32078651	LED SW ASM.		*		1
57	32078800	SWITCH FITTING PLATE		*		2
58	32078909	SWITCH LEVER RIGHT		*		1
59	32079006	SWITCH LEVER LEFT		*		1
60	32079105	LEVER RETURN SPRING		*		1
61	32079204	NEAR SWITCH FITTING PLATE		*		1
62	CM100300001	MUST NOT HOLD LABEL				2
63	40058951	AREA_CAUTION_LABEL				2
64	40116677	GOST_SAFTY_LABEL_S	FOR JE			1

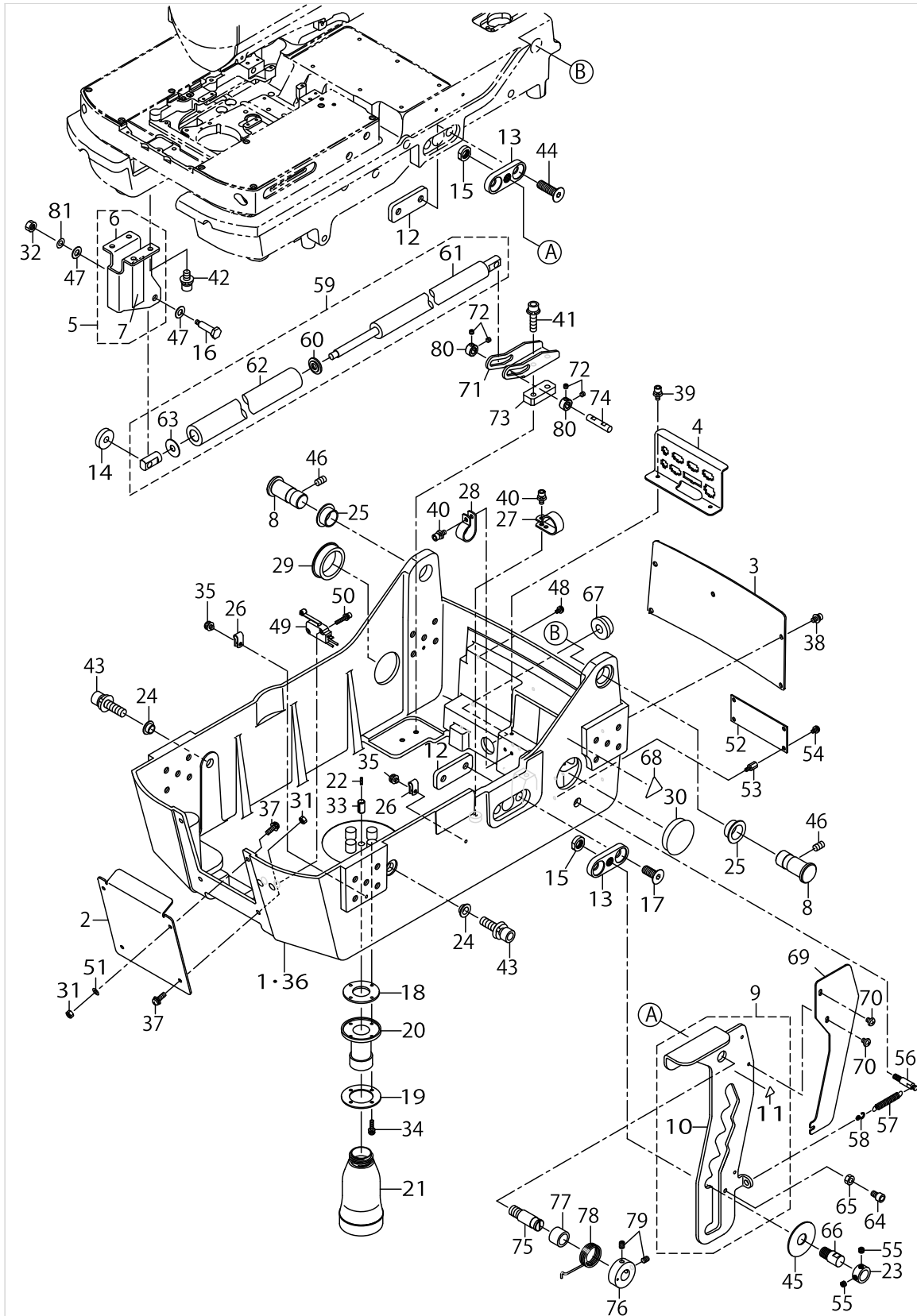
BOTTOM COVER COMPONENTS



BOTTOM COVER COMPONENTS

No.	Parts No.	Parts name	Remarks	Level	Cons	Qty
1	32004517	BOTTOM COVER	EXCEPT MEB-3200JA,CA,TA			1
2	32004608	FRONT COVER				1
3	32004707	REAR COVER				1
4	32004806	CONNECTOR FITTING PLATE				1
5	40100143	GAS SPRING BRACKET, UPPER ASM.				1
6	40100140	GAS SPRING BRACKET, UPPER		*		1
7	40059760	CAUTION LABEL		*		1
8	32005209	HINGE SHAFT				2
9	40100165	HINGE STOPPER ASM.				1
10	40099470	HINGE STOPPER		*		1
11	CM300200001	ATTENTION SEAL		*		1
12	32006108	HINGE STOPPER FIXING PLATE B				2
13	40100149	HINGE STOPPER FIXING PLATE				2
14	13156500	ISOLATOR SPACER	EXCEPT MEB-3200JA,CA,TA			1
15	32005902	HINGE STOPPER NUT				2
16	40100146	GAS SPRING SHAFT U				1
17	SM1102552TT	SCREW M10 L=25				2
18	B8112220000	OIL SEAL				1
19	B8111220000	WASHER				1
20	B8202205000	OIL MANAGEMENT				1
21	B9121012000	OIL CAN				1
22	CQ252000000	OIL WICK				0.1
23	32006306	HINGE STOPPER COLLAR				1
24	E2193172000	PT EV PP METAL				2
25	G6264870000	BEARING				2
26	HX00150000A	CABLE CLAMP				2
27	HX00150000M	CABLE CLIP				1
28	HX00150000J	CABLE CLIP				1
29	HX00188000A	BUSH				1
30	HX003260000	BUSH				1
31	NM6040000SN	NUT M4				4
32	NM6050001SC	NUT M5X0.8 TYPE1				1
33	PS0800162KP	SPRING PIN 8X16				1
34	SL4031481SC	SCREW M3 X 14				4
35	SL4040881SC	SCREW M4 L=8				2
36	40012051	BOTTOM COVER A	FOR MEB-3200JA,CA,TA			1
37	SL4041481SC	SCREW M4X0.7 L=14				4
38	SL6040892TN	BOLT				5
39	SL6041092TN	SCREW				2
40	SL6041092TN	SCREW				2
41	SL6062592TN	SCREW				2
42	SL6061492TN	BOLT				4
43	SL6083092TN	SCREW				2
44	SM1103552TT	SCREW M10 L=35				2
45	32005704	HINGE STOPPER WASHER				1
46	SM8061002TP	SCREW M6 L=10				2
47	B1223771000	NEEDLE ROD CRANK WASHER				2

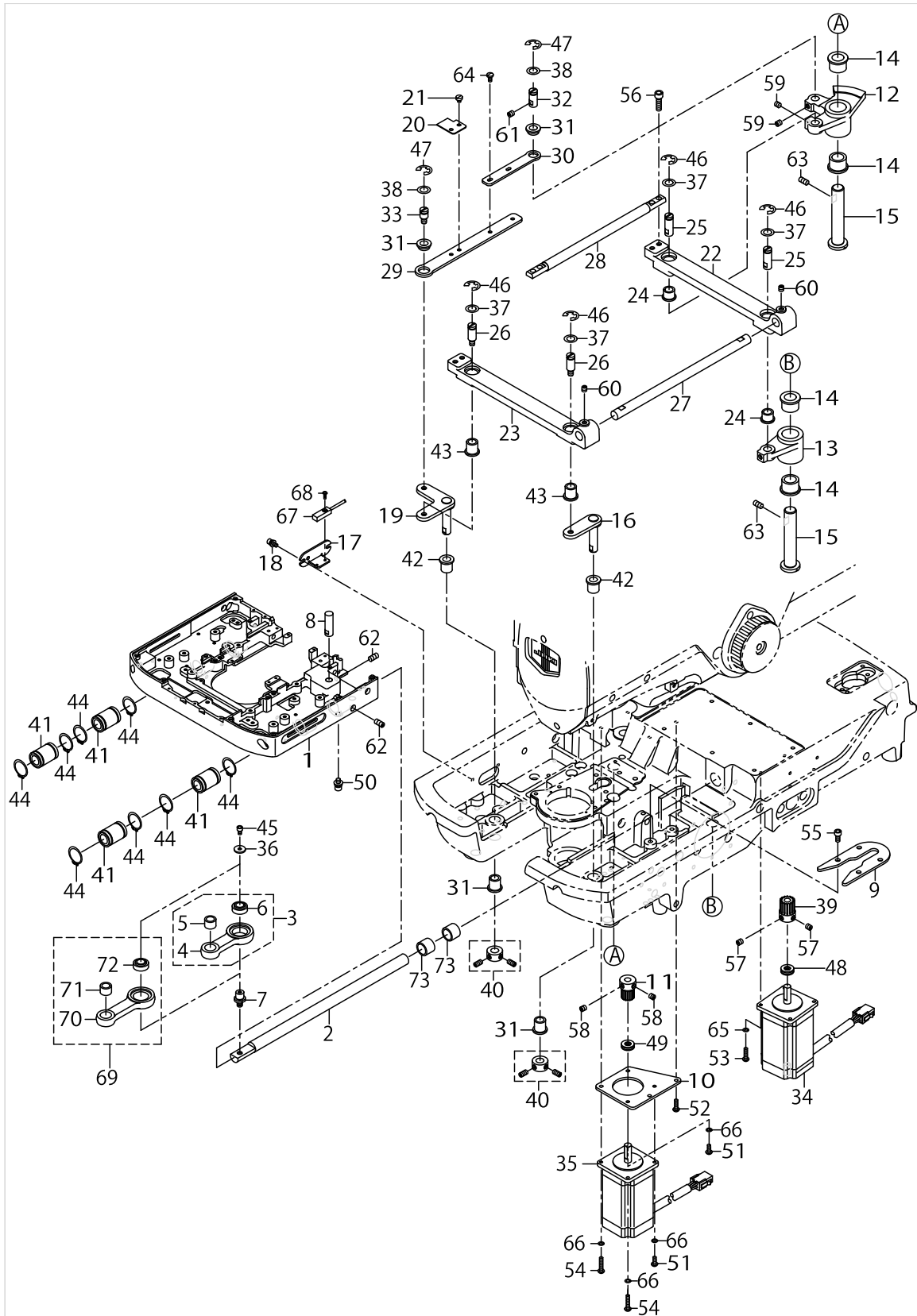
# BOTTOM COVER COMPONENTS



BOTTOM COVER COMPONENTS

No.	Parts No.	Parts name	Remarks	Level	Cons	Qty
48	SL4040881SC	SCREW M4 L=8				1
49	32002255	SWITCH ASM.				1
50	SL6031692TN	SCREW				2
51	WP0410846SC	WASHER				8
52	M86026200A0	CIRCUIT BOARD ASM.				1
53	HX003390000	STUD				4
54	SL4040881SC	SCREW M4 L=8				4
55	SS8660512TP	SCREW 1/4-40 L=5				2
56	40100154	HINGE STOPPER SPRING RACK				1
57	40100153	TENSION SPRING				1
58	32005605	HINGE STOPPER RACK				1
59	40100390	GAS SPRING ASM.				1
60	40100147	GAS SPRING COVER COLLAR		*		1
61	40100142	GAS SPRING		*		1
62	40100148	GAS SPRING COVER		*		1
63	32021206	SPRING HOLDER S		*		1
64	SM6050802TP	SCREW M5X0.8 L=8				1
65	NM6050001SC	NUT M5				1
66	40100151	HINGE STOPPER SHAFT B				1
67	32006504	CLOTH WASTE BUSH				1
68	CM300200003	ATTENTION LABEL				1
69	40099471	HINGE STOPPER COVER				1
70	SM4040501SN	SCREW M4X0.7 L=5				3
71	40100141	GAS SPRING BRACKET, LOWER				1
72	SM8050512TP	SCREW				4
73	40100144	GAS SPRING BRACKET BASE				1
74	40100145	GAS SPRING SHAFT L				1
75	40100150	HINGE STOPPER SHAFT A				1
76	40100152	HINGE STOPPER THRUST COLLAR				1
77	40100157	HINGE STOPPER COLLAR				1
78	40100158	HINGE STOPPER SPRING B				1
79	SM8060812TP	SCREW M6 L=8				2
80	CS0800881TP	THRUST COLLAR				2
81	WP0531000SC	WASHER 5.3X10X1				1

FEED COMPONENTS

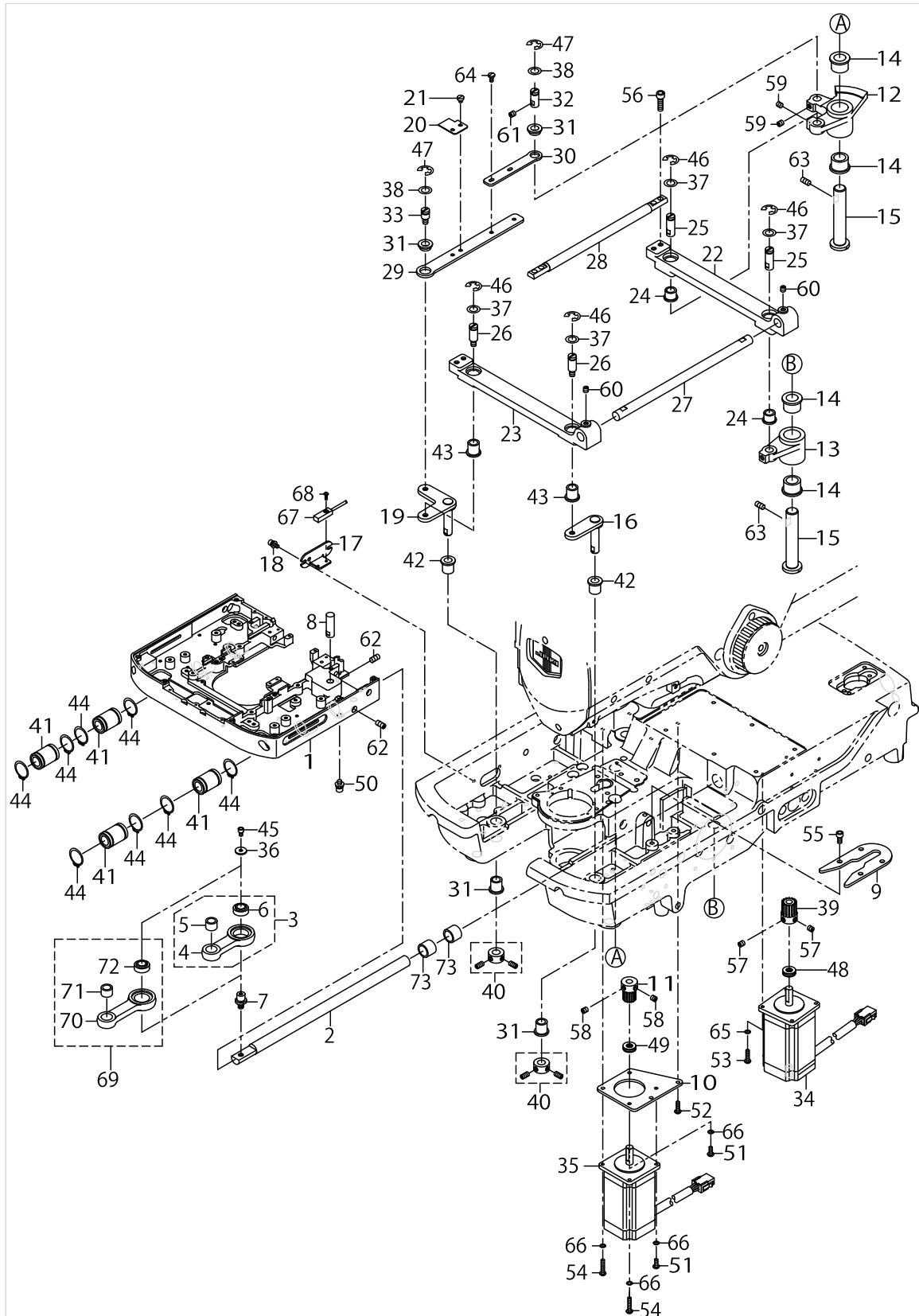


FEED COMPONENTS

No.	Parts No.	Parts name	Remarks	Level	Cons	Qty
1	32007007	CLOTH FEED BASE				1
2	32007106	VERTICAL FEED SHAFT				1
3	40131925	VERTICALFEEDCONNECTINGARMASM.	FOR MEB-3200SS,RS			2
4	40131921	VERTICAL FEED CONNECTING ARM		*		1
5	32007403	CONNECTING ARM METAL, A		*		1
6	40131924	SPHERICAL BEARING		*		1
7	40131923	CONNECTING SHAFT				1
8	32007700	CONNECTING SHAFT				1
9	32007809	GUIDE PLATE				1
10	32007908	MOTOR BRACKET				1
11	32008005	CROSSFEED GEAR				1
12	32008104	CROSSFEED ARM				1
13	32008203	CROSSFEED DRIVEN ARM, REAR				1
14	32008302	CROSSFEED ARM METAL				4
15	32008401	FULCRUM SHAFT				2
16	32008559	DRIVEN ARM RIGHT ASM.				1
17	32078107	CROSSFEED SENSOR BEACKET				1
18	SL6041092TN	SCREW				2
19	32008658	DRIVEN ARM LEFT ASM.				1
20	32078206	SENSOR SLIT PLATE				1
21	SS6110480SP	SCREW 11/64-40 L=4.3				2
22	32008906	GUIDE SHAFT FIXING BASE				1
23	32009003	GUIDE SHAFT FIXING BASE, FRONT				1
24	32009102	GUIDE SHAFT FIXING BASE METAL				2
25	32009201	DRIVING ARM CONNECTING SHAFT				2
26	32009300	DRIVEN ARM CONNECTING SHAFT				2
27	32009409	VERTICAL FEED GUIDE SHAFT, A				1
28	32009508	VERTICAL FEED GUIDE SHAFT, B				1
29	32009607	CONNECTING PLATE, LOWER				1
30	32009706	CONNECTING PLATE, UPPER				1
31	32009805	CONNECTING PLATE METAL				4
32	32009904	CONNECTING PLATE UPPER SHAFT				1
33	32010001	CONNECTING PLATE LOWER SHAFT				1
34	KM000000310	PULSE MOTOR				1
35	KM000000320	PULSE MOTOR				1
36	B1707555000	WASHER				1
37	10523504	WASHER				4
38	10523504	WASHER				2
39	26501502	Y FEED GEAR				1
40	CS100101DSH	THRUST COLLAR ASM.				2
41	E1902172000	INSERT CARRIAGE BUSH				4
42	E5541172000	SINTERED BEARING				2
43	E5541172000	SINTERED BEARING				2
44	RC1951211KP	C-RING				8
45	SM6040602TN	BOLT				1
46	RE0900000K0	E-RING 9				4
47	RE0900000K0	E-RING 9				2



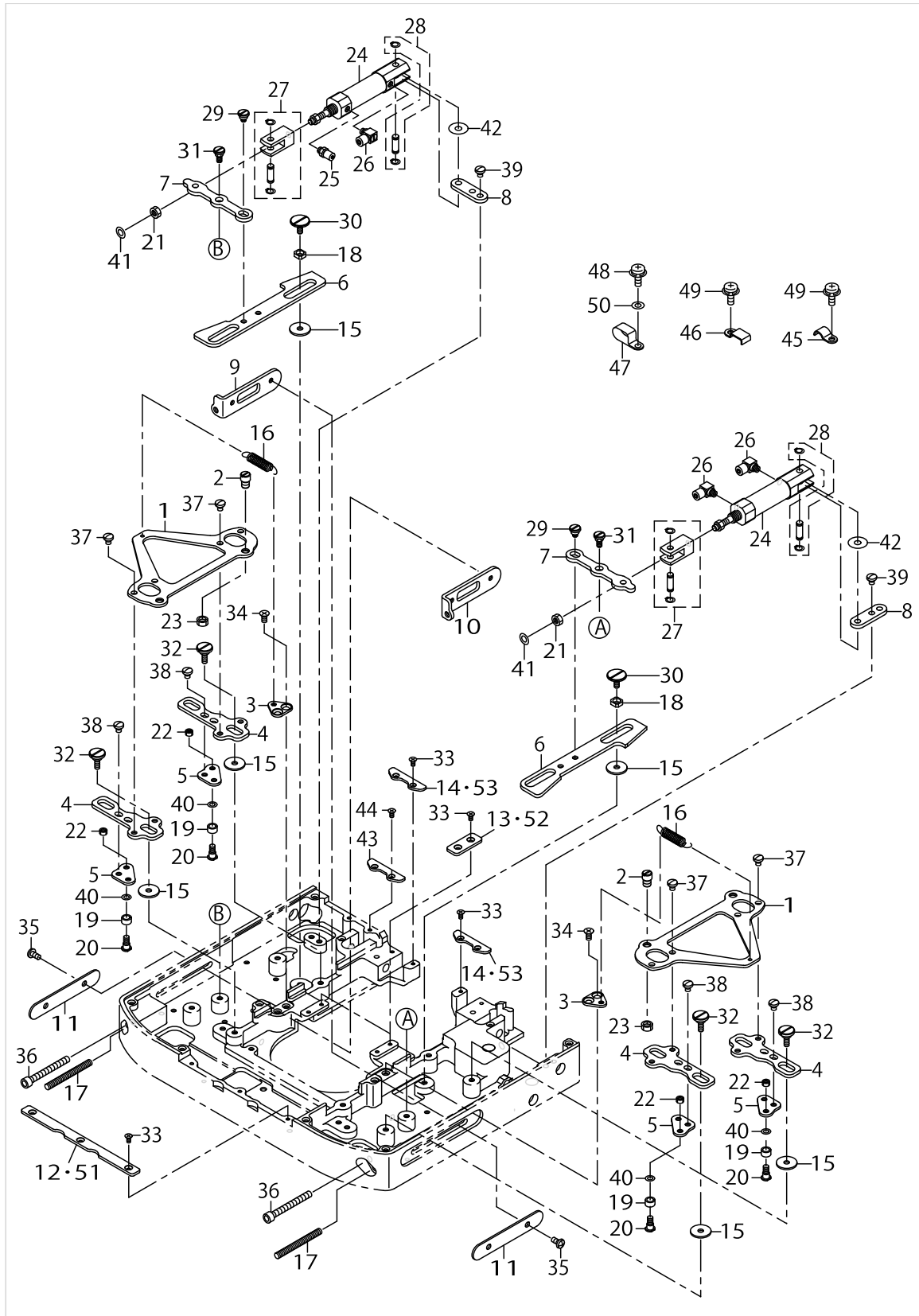
FEED COMPONENTS



FEED COMPONENTS

No.	Parts No.	Parts name	Remarks	Level	Cons	Qty
48	SB408000100	BEARING				1
49	SB408000100	BEARING				1
50	SL6051092TN	BOLT				1
51	SM4041055SP	SCREW				2
52	SM4041455SN	SCREW M4 L=14				2
53	SM4041655SP	SCREW M4 L=16				4
54	SM4042055SP	SCREW				2
55	SM6051002TP	SCREW M5X0.8 L=10				4
56	SM6062002TN	SCREW M6 L=20				4
57	SM8060602TP	SCREW M6X6				2
58	SM8060602TP	SCREW M6X6				2
59	SM8060812TP	SCREW M6 L=8				2
60	SM8060812TP	SCREW M6 L=8				2
61	SM8060812TP	SCREW M6 L=8				1
62	SM8061212TP	SCREW M6X12				2
63	SM8061212TP	SCREW M6X12				2
64	SS7110840SP	SCREW 11/64-40 L=7.8				2
65	WP0450846SP	WASHER				4
66	WP0450846SP	WASHER				4
67	32078057	HOME POSITION SENSOR ASM.				1
68	SM4860801SC	SCREW M2.6 L=8				1
69	40131926	VERTICAL FEED CONNECTING ARM 10 ASM.	FOR MEB-3200JS,CS,TS,JA, CA,TA			1
70	40131922	VERTICAL FEED CONNECTING ARM 10		*		1
71	32007403	CONNECTING ARM METAL, A		*		1
72	40131924	SPHERICAL BEARING		*		1
73	32007205	VERTICAL FEED SHAFT METAL				2

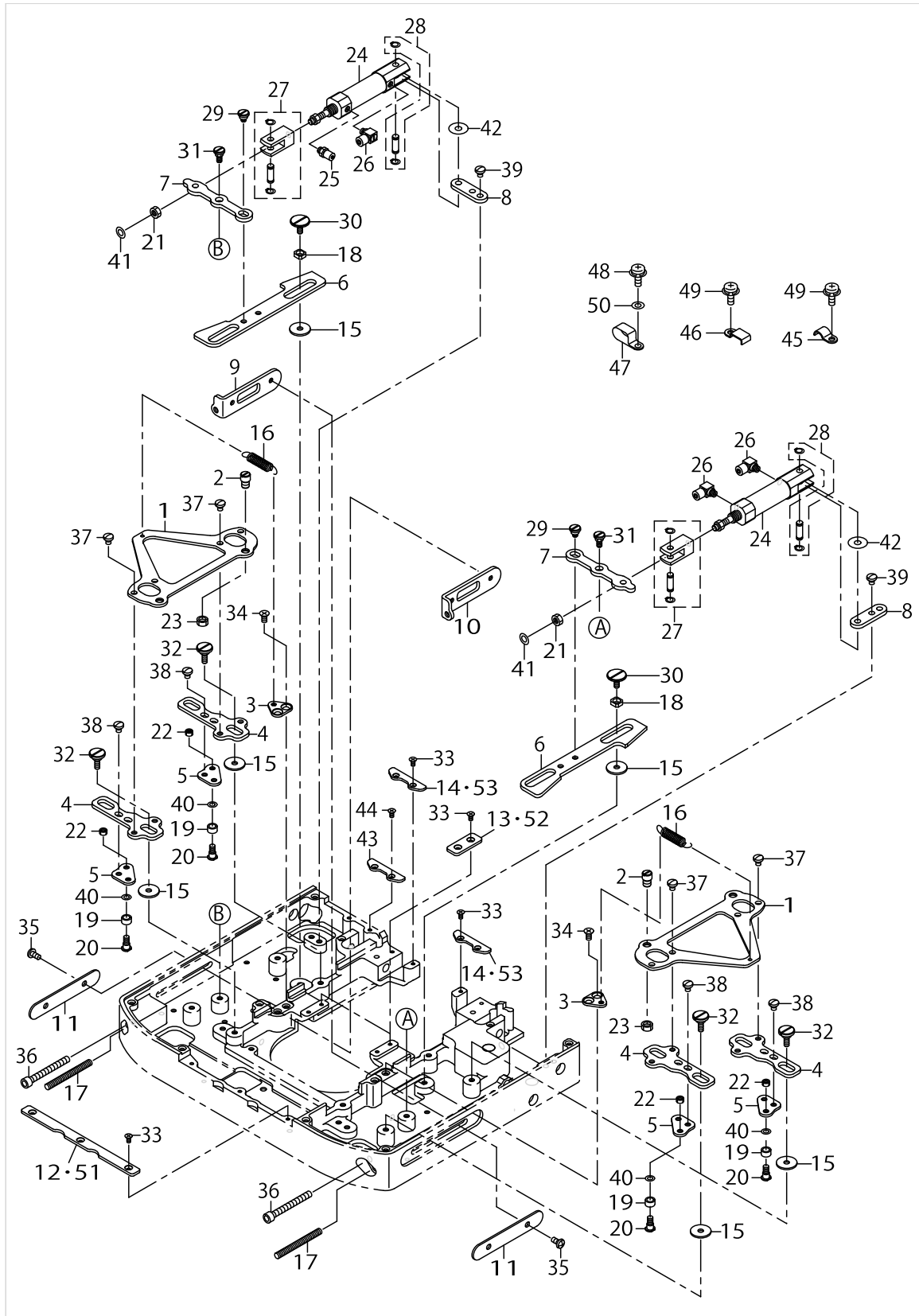
CLOTH OPEN COMPONENTS



CLOTH OPEN COMPONENTS

No.	Parts No.	Parts name	Remarks	Level	Cons	Qty
1	32011504	CLOTH OPEN PLATE				2
2	32011603	HOLDING PIN				4
3	32011702	SPRING HOOK				2
4	32011801	RAIL PLATE				4
5	32011900	ROLLER PLATE				4
6	32012007	CAM PLATE				2
7	32012106	DRIVING LINK				2
8	32012205	CYLINDER BRACKET				2
9	32012304	STOPER, RIGHT				1
10	32012403	STOPER, LEFT				1
11	32012502	STOPPER COVER				2
12	32012601	HOLDING PLATE, FRONT	EXCEPT MEB-3200JS,CS,TS,JA, CA,TA			1
13	32012700	HOLDING PLATE, MID	EXCEPT MEB-3200JS,CS,TS,JA, CA,TA			2
14	32012809	HOLDENG PLATE, REAR	EXCEPT MEB-3200JS,CS,TS,JA, CA,TA			2
15	12204004	THRUST HOLDER				12
16	40009163	THREAD TRIMMER SPRING A				2
17	B2440210D00	LINK STOPPER SCREW				2
18	B2609280000	SLIDE BLOCK				1
19	D2587L8WB00	ROLLER				4
20	D2588L8WB00	ROLLER SHAFT				4
21	NM6050001SP	NUT M5				2
22	NS6110310SP	NUT 11/64-40				4
23	NS6660430SP	NUT 1/4-40				4
24	PA1601525A0	AIR CYLINDER				2
25	PJ032052503	HOSE NIPPLE				1
26	PJ046052503	HOSE ELBOW				3
27	PX500020000	KNUCKLE JOINT				2
28	PX5000290A0	PIN				2
29	SD0640321TP	HINGE SCREW D=6.35 H=3.2				2
30	SD0640324TP	HINGE SCREW D=6.35 H=3.2				4
31	SD0640326TP	HINGE SCREW				2
32	SD0790311TP	HINGE SCREW D=7.94 H=3.1				8
33	SM1030601SC	SCREW M3 L=6				11
34	SM1040801SP	SCREW M4X0.7 L=8				4
35	SM5040855SN	SCREW				4
36	SM6054552TN	SCREW				2
37	SS7110510SP	SCREW 11/64-40 L=5				8
38	SS7110570SP	SCREW 11/64-40 L=4.8				8
39	SS7110840SP	SCREW 11/64-40 L=7.8				4
40	WP0450846SP	WASHER				4
41	WP0550800SP	WASHER 5.5X10X0.8				2
42	WP0553216SD	WASHER				2
43	32012809	CLOTH OPEN HOLDING PLATE, REAR	FOR MEB-3200RS			1
44	SM1030601SC	SCREW M3 L=6	FOR MEB-3200RS			2
45	D2611555B00A	CABLE HOLDER				1
46	B3509210000	OIL TUBE HOLDER C				5
47	D2112555B00	CORD HOLDER, LARGE				1

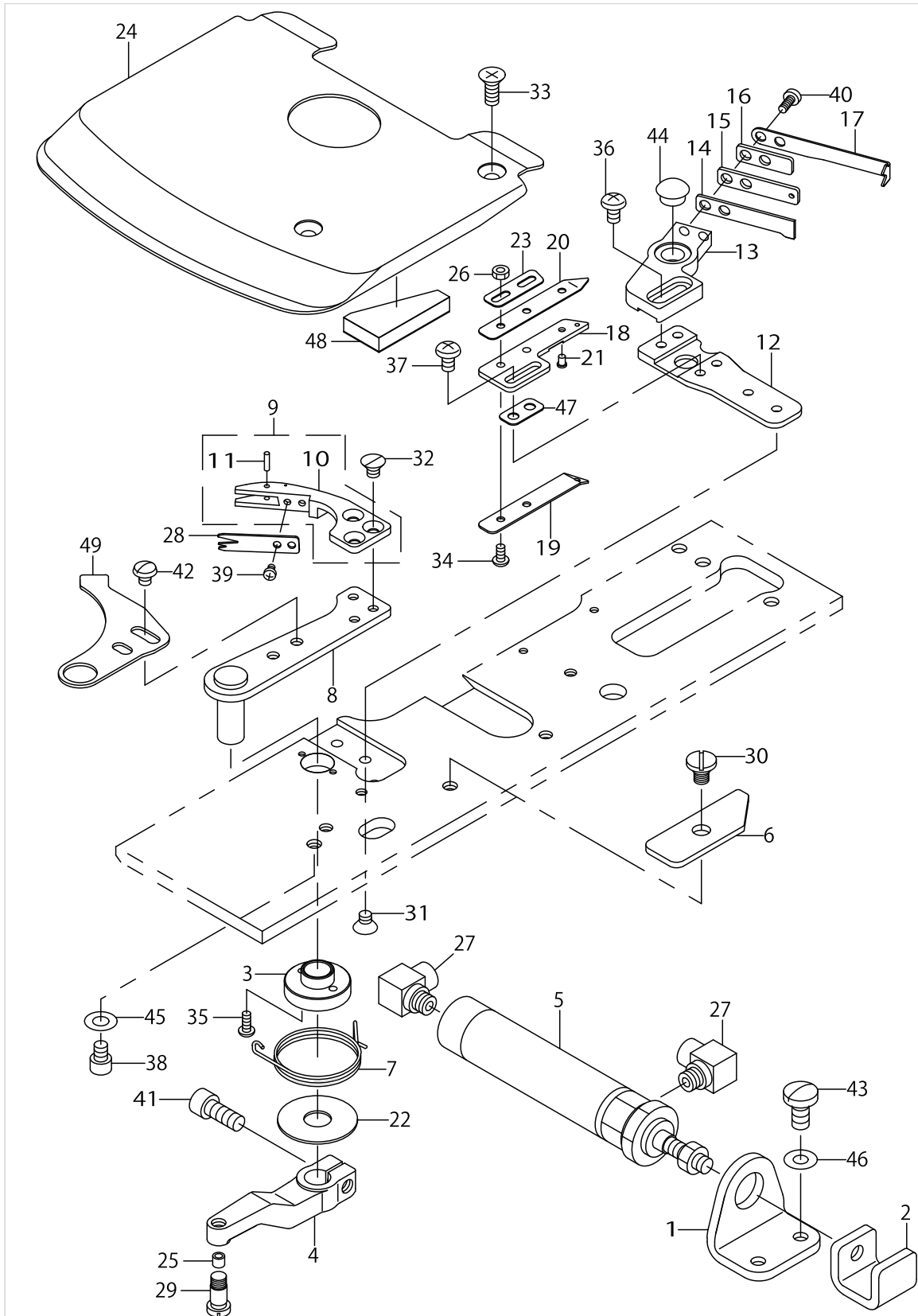
CLOTH OPEN COMPONENTS



CLOTH OPEN COMPONENTS

No.	Parts No.	Parts name	Remarks	Level	Cons	Qty
48	SL4040881SC	SCREW M4 L=8				1
49	SL4040881SC	SCREW M4 L=8				8
50	WP0560860SE	WASHER 5.6X12X0.8				1
51	32012908	HOLDING PLATE, FRONT B	FOR MEB-3200JS,CS,TS,JA, CA,TA			1
52	32013005	HOLDING PLATE, MID B	FOR MEB-3200JS,CS,TS,JA, CA,TA			2
53	32013104	HOLDING PLATE, REAR B	FOR MEB-3200JS,CS,TS,JA, CA,TA			2

LOWER THREAD CUTTING COMPONENTS (1) (FOR MEB-3200SS, RS)



LOWER THREAD CUTTING COMPONENTS (1) (FOR MEB-3200SS, RS)

No.	Parts No.	Parts name	Remarks	Level	Cons	Qty
1	32017006	CYLINDER BRACKET				1
2	32017105	CYLINDER CLICK				1
3	32020000	SHAFT HOLDER,S				1
4	32020406	DRIVING ARM,S				1
5	32017451	CYLINDER ASM.				1
6	32017501	LOWER THREAD CUTTING STOPPER				1
7	32017600	RETURN SPRING,S				1
8	32017865	MOVING KNIFE ASM.				1
9	40034923	MOVING KNIFE ASM.			☆	1
10	32018012	MOVING KNIFE		*		1
11	PS0150065KP	SPRING PIN 1.5X6		*		1
12	32018301	AUXILIARY BASE				1
13	32018400	FIXING KNIFE FITTING BASE				1
14	32018509	FIXING KNIFE			☆	1
15	32018608	SPRING, LOWER				1
16	32018707	SPRING, UPPER				1
17	32018806	GUIDE PLATE				1
18	32018905	GRASPING FIXING PLATE				1
19	32019002	LOWER THREAD GRASPING				1
20	32019101	GIMP GRASPING				1
21	32019200	PIN				1
22	32021206	SPRING HOLDER,S				1
23	32019408	SPRING				1
24	32019507	KNIFE COVER,S				1
25	13737804	DRIVING ARM BOSS ROLLER				1
26	NM6020001SC	NUT M2				2
27	PJ046052503	HOSE ELBOW				2
28	32018103	TREATING PLATE				1
29	SD0500721SP	HINGE SCREW D=5 H=7.2				1
30	SD0550212TP	HINGE SCREW D=5.5 H=2.1				1
31	SM1030400SP	SCREW M3 L=4				2
32	SM1030400SP	SCREW M3 L=4				3
33	SM1041001SN	SCREW M4X0.7 L=10				2
34	SM4020401SC	SCREW M2 L=4				2
35	SM4020601SC	SCREW M2 L=6				2
36	SM4030501SN	SCREW M3 L=5				2
37	SM4030501SN	SCREW M3 L=5				2
38	SM6040502TP	SCREW M4X0.7 L=5				1
39	SM6020450TP	SCREW				2
40	SM6030802TN	BOLT				2
41	SM6041002TP	SCREW M4 L=10				1
42	SS5090420SP	SCREW 9/64-40 L=3.5				2
43	SS7110840SP	SCREW 11/64-40 L=7.8				2
44	TA0750404R0	PLUG D=7.5 L=3.5				1
45	WP0430801SC	WASHER 4.3X9X0.8				1
46	WP0450801SP	WASHER				2

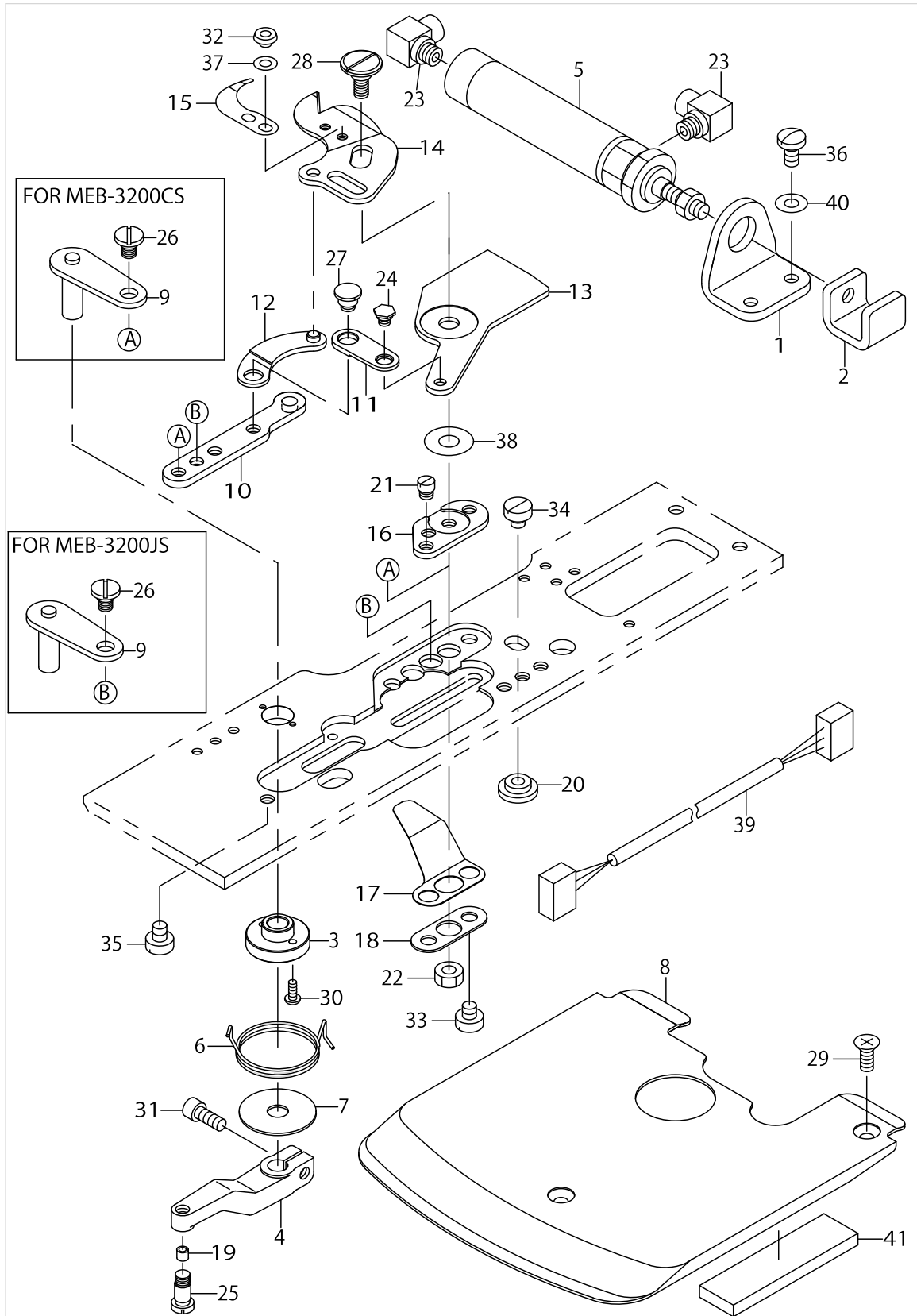




LOWER THREAD CUTTING COMPONENTS (1) (FOR MEB-3200SS, RS)

No.	Parts No.	Parts name	Remarks	Level	Cons	Qty
47	32019705	LOWER THREAD GRASPING SPACER	SELECTIVE USE OF 0 TO 2 PCS.			2
48	32021552	KNIFE COVER,S SHEET ASM.				1
49	32018210	LOWER THRAED GRASPING OPENER				1

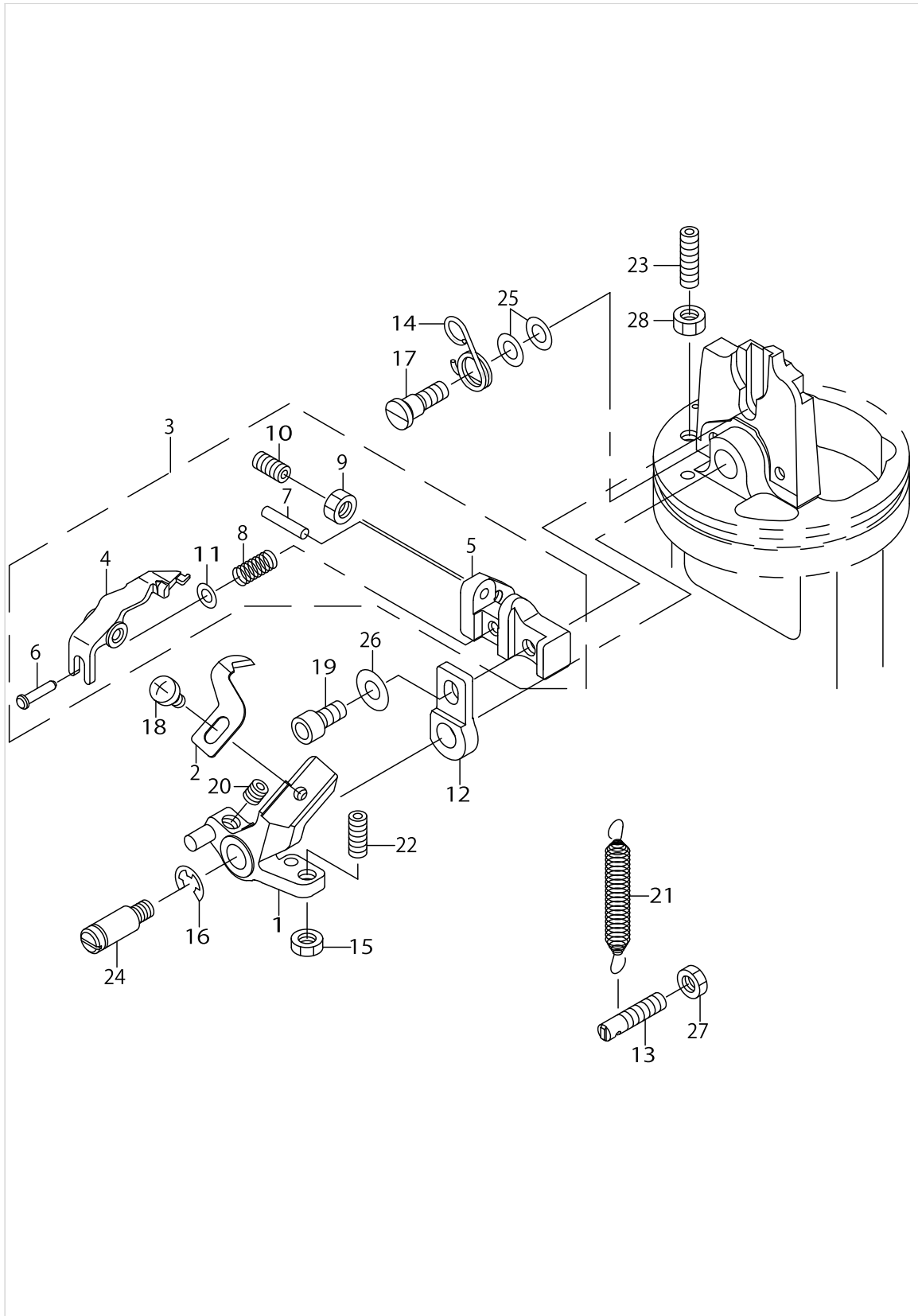
LOWER THREAD CUTTING COMPONENTS (2) (FOR MEB-3200JS, CS, JA, CA)



LOWER THREAD CUTTING COMPONENTS (2) (FOR MEB-3200JS, CS, JA, CA)

No.	Parts No.	Parts name	Remarks	Level	Cons	Qty
1	32017006	CYLINDER BRACKET				1
2	32017105	CYLINDER CLICK				1
3	32017204	SHAFT HOLDER				1
4	32017303	DRIVING ARM				1
5	32017451	CYLINDER ASM.				1
6	32017709	SPRING, J				1
7	32019309	SRING HOLDER				1
8	32019606	KNIFE COVER, J				1
9	32019853	LOWER THREAD CUTTER LINK ASM.				1
10	32019903	CONECTING LINK				1
11	32020109	LOWER KNIFE LINK				1
12	32020257	UPPER KNIFE LINK ASM.				1
13	32020505	THREAD CUTTER LOWER KNIFE			☆	1
14	40015996	THREAD CUTTER UPPER KNIFE			☆	1
15	32020703	THREAD HAUL PLATE				1
16	32020802	KNIFE FITTING BASE				1
17	32020919	UPPER KNIFE LOWER COVER				1
18	32021008	STOPPER PLATE				1
19	13737804	DRIVING ARM BOSS ROLLER				1
20	B1651210000	LINK NUT.				1
21	D2522232D00	PIN				1
22	NS6110310SP	NUT 11/64-40				1
23	PJ046052503	HOSE ELBOW				2
24	SD0500131TP	HINGE SCREW D=5 H=1.25				1
25	SD0500721SP	HINGE SCREW D=5 H=7.2				1
26	SD0550212TP	HINGE SCREW D=5.5 H=2.1				1
27	SD0600311TP	HINGESCREW				1
28	SD0640381TP	HINGE SCREW				1
29	SM1041001SN	SCREW M4X0.7 L=10				2
30	SM4020601SC	SCREW M2 L=6				2
31	SM6041002TP	SCREW M4 L=10				1
32	SS5080212TP	SCREW 1/8-44 L=2				2
33	SS6110480SP	SCREW 11/64-40 L=4.3				2
34	SS6110480SP	SCREW 11/64-40 L=4.3				1
35	SS6110520TP	SCREW 11/64-40 L=4.5				1
36	SS7110840SP	SCREW 11/64-40 L=7.8				2
37	WP0320500SC	WASHER M3				2
38	WZ0880200KP	WAVED WASHER				1
39	32078354	SENSOR CABLE ASM.				1
40	WP0450801SP	WASHER				2
41	32021859	KNIFE COVER,J SHEET ASM.				1

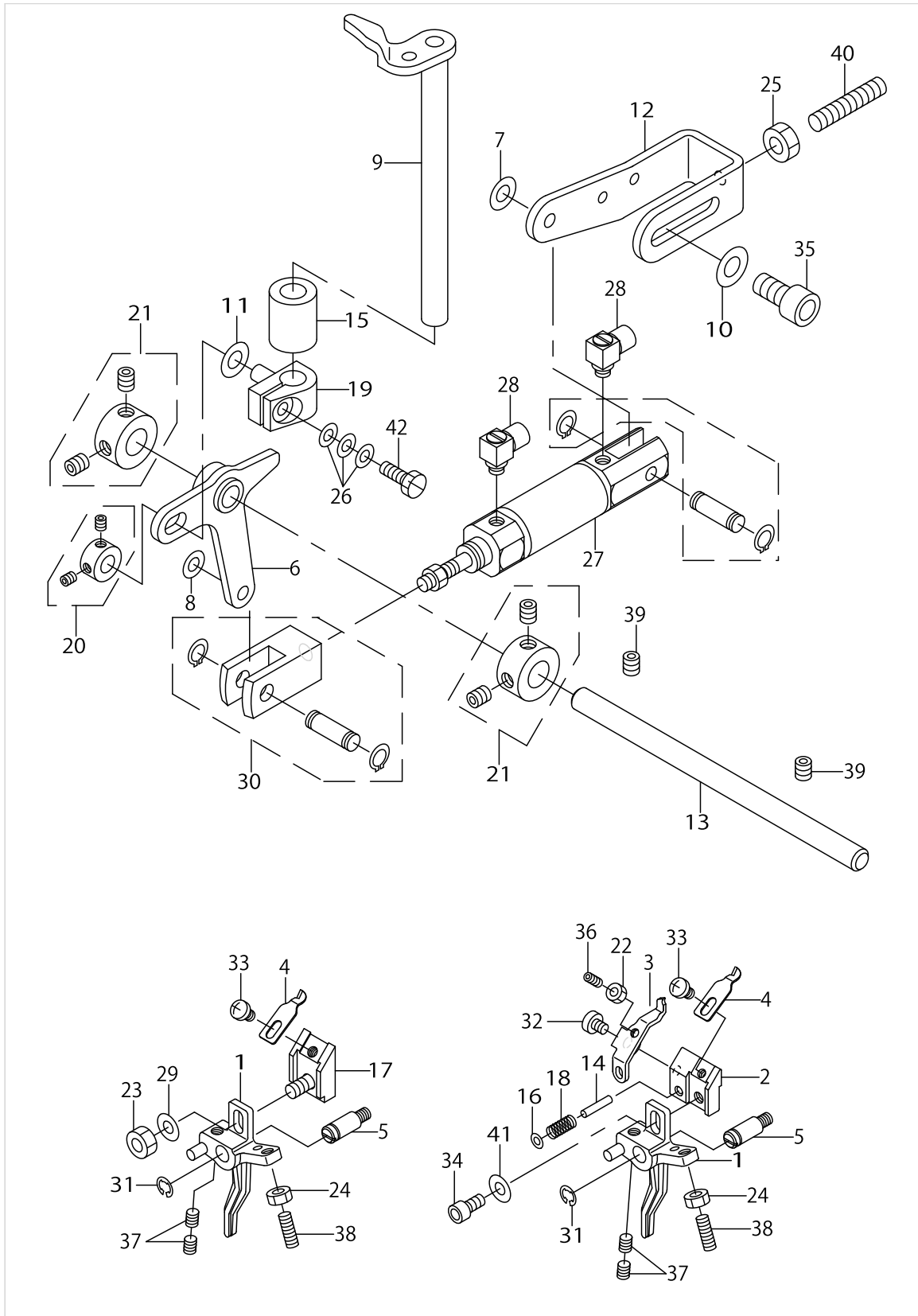
LOWER THREAD CUTTING COMPONENTS (3) (FOR MEB-3200TS, TA)



LOWER THREAD CUTTING COMPONENTS (3) (FOR MEB-3200TS, TA)

No.	Parts No.	Parts name	Remarks	Level	Cons	Qty
1	32016008	CUTTING KNIFE MOVING ARM, T				1
2	32016107	LOWER THREAD CUTTING KNIFE, T			☆	1
3	40018894	LOWER THREAD HOLDER T ASM.				1
4	32016206	LOWER THREAD HOLDER, T		*		1
5	32016305	THREAD HOLDER FITTING BKT., T		*		1
6	32016503	PIN, T		*		1
7	10507200	PIN		*		1
8	40009222	PRESSER PLATE ADJUSTING SPRING		*		1
9	NM6040001SC	NUT M4		*		1
10	SM8040802TP	SCREW M4X8		*		1
11	WP0320500SC	WASHER M3		*		1
12	32016404	THREAD HOLDER FULCRUM BKT., T				1
13	32016602	SPRING RACK, T				1
14	32016701	SPRING, T				1
15	NM6040003SC	NUT M4				1
16	RE0400000K0	E-RING 4				1
17	SD0500456TP	HINGE SCREW				1
18	SM4030455SN	SCREW				1
19	SM6040802TP	SCREW M4X0.7 L=8				1
20	SM8040412TP	SET SCREW M4 L=4				2
21	32015109	SPRING				1
22	SM8041012TP	SCREW M4 L=10				1
23	SM8041402TP	SCREW M4X0.7 L=14				1
24	32023400	FULCRUM SHAFT				1
25	WP0430800SD	WASHER M4				2
26	WP0450801SP	WASHER				1
27	NM6040003SC	NUT M4				1
28	NM6040001SC	NUT M4				1

UPPER THREAD CUTTING COMPONENTS

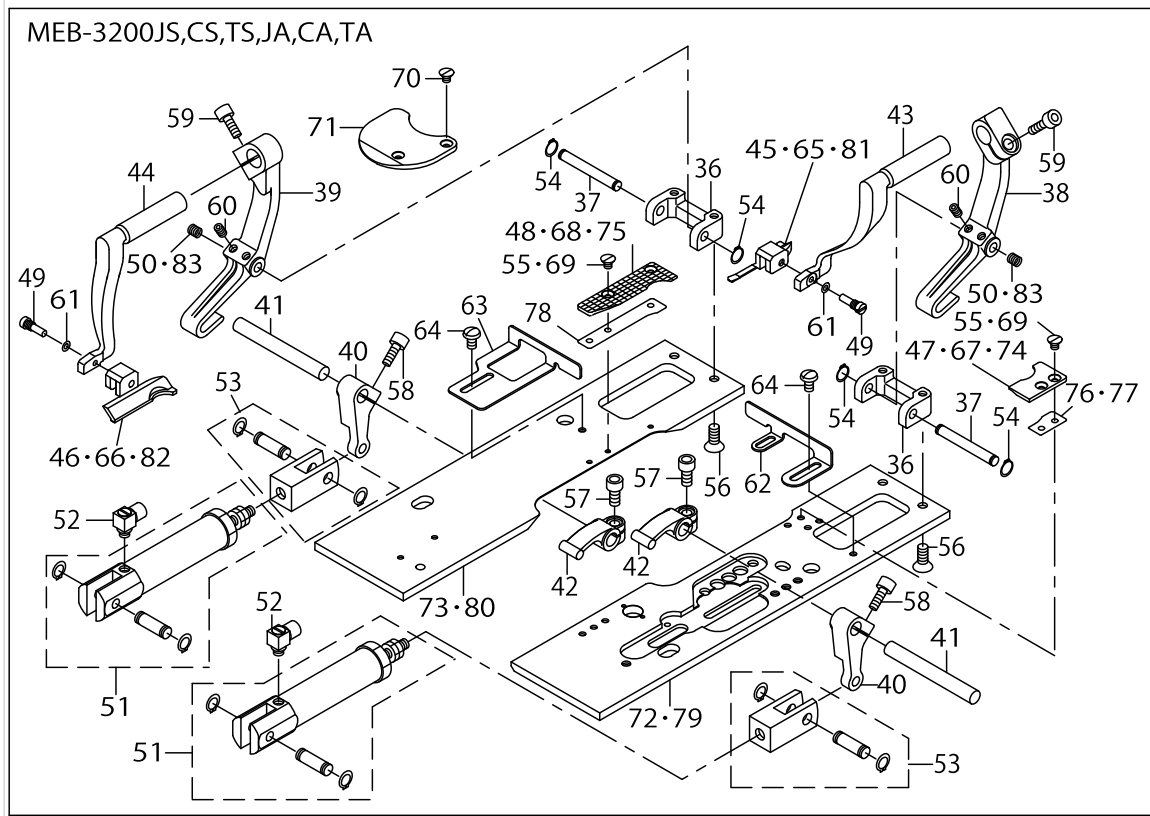
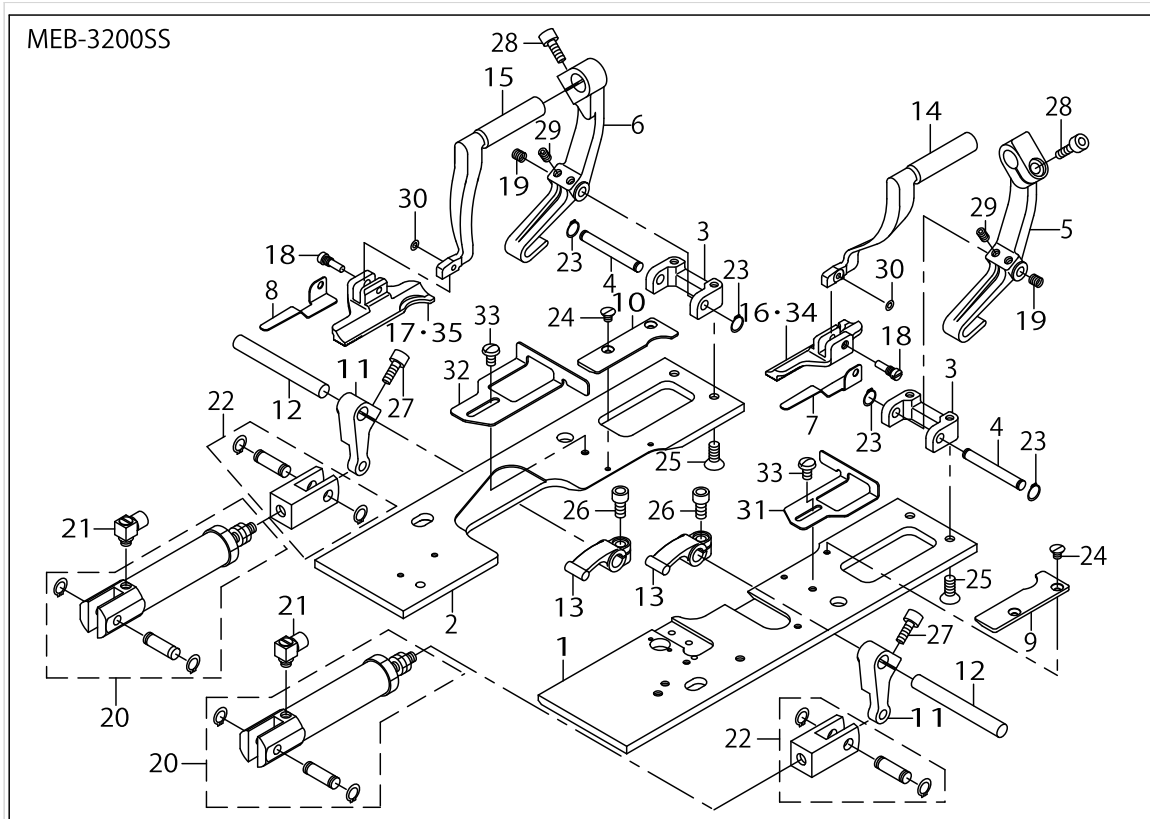


UPPER THREAD CUTTING COMPONENTS

No.	Parts No.	Parts name	Remarks	Level	Cons	Qty
1	32023004	CUTTING KNIFE MOVING ARM				2
2	32023103	ADJUST BASE, J	FOR MEB-3200JS,CS,JA,CA			1
3	32023210	LOWER THREAD HOLDER	FOR MEB-3200JS,CS,JA,CA			1
4	32023319	THREAD CUTTING KNIFE	FOR MEB-3200JS,CS,JA,CA		☆	2
5	32023400	FULCRUM SHAFT				2
6	32023558	LINK ASM.				1
7	WP0553216SD	WASHER				1
8	WP0612516SD	WASHER 6.1X15.2X2.5				1
9	32023756	VERTICAL MOVING ARM ASM.				1
10	WP0621046SP	WASHER				2
11	WP0651056SH	WASHER 6.5X11X1				1
12	32023905	CYLINDER FITTING BASE				1
13	32024002	THREAD TRIMMER SHAFT				1
14	10507200	PIN	FOR MEB-3200JS,CS,JA,CA			1
15	12118709	ROCKER SHAFT METAL				1
16	WP0320500SC	WASHER M3	FOR MEB-3200JS,CS,JA,CA			1
17	14050157	KNIFE ADJUSTING BASE ASM.	EXCEPT MEB-3200JS,CS,JA,CA			1
18	40009222	PRESSER PLATE ADJUSTING SPRING	FOR MEB-3200JS,CS,JA,CA			1
19	B4105522000	KNIFE DRIVING STUD CONNECTION				1
20	CS0640860SH	THRUST COLLAR ASM. D=6.35 W=8				1
21	CS080081CSH	THRUST COLLAR ASM. D=8.0 W=8				2
22	NM6030003SC	NUT M3	FOR MEB-3200JS,CS,JA,CA			1
23	NM6040000SN	NUT M4	EXCEPT MEB-3200JS,CS,JA,CA			1
24	NM6040003SC	NUT M4				2
25	NM6050001SP	NUT M5				1
26	WP0371036SD	WASHER 3.7X6X1				3
27	PA1601525A0	AIR CYLINDER				1
28	PJ046052503	HOSE ELBOW				2
29	WP0450801SP	WASHER	EXCEPT MEB-3200JS,CS,JA,CA			1
30	PX500020000	KNUCKLE JOINT				1
31	RE0400000K0	E-RING 4				1
32	SD0400161TP	HINGE SCREW	FOR MEB-3200JS,CS,JA,CA			1
33	SM4030455SN	SCREW				2
34	SM6040802TP	SCREW M4X0.7 L=8	FOR MEB-3200JS,CS,JA,CA			1
35	SM6061202TP	SCREW M6 L=12				2
36	SM8030502TP	SCREW M3 L=5	FOR MEB-3200JS,CS,JA,CA			1
37	SM8040412TP	SET SCREW M4 L=4				2
38	SM8041012TP	SCREW M4 L=10				2
39	SM8050612TP	SCREW M5X6				2
40	SM8052502TP	SCREW M5X0.8 L=25				1
41	WP0450801SP	WASHER	FOR MEB-3200JS,CS,JA,CA			1
42	SS9091010SP	SCREW 9/64-40 L=10				1



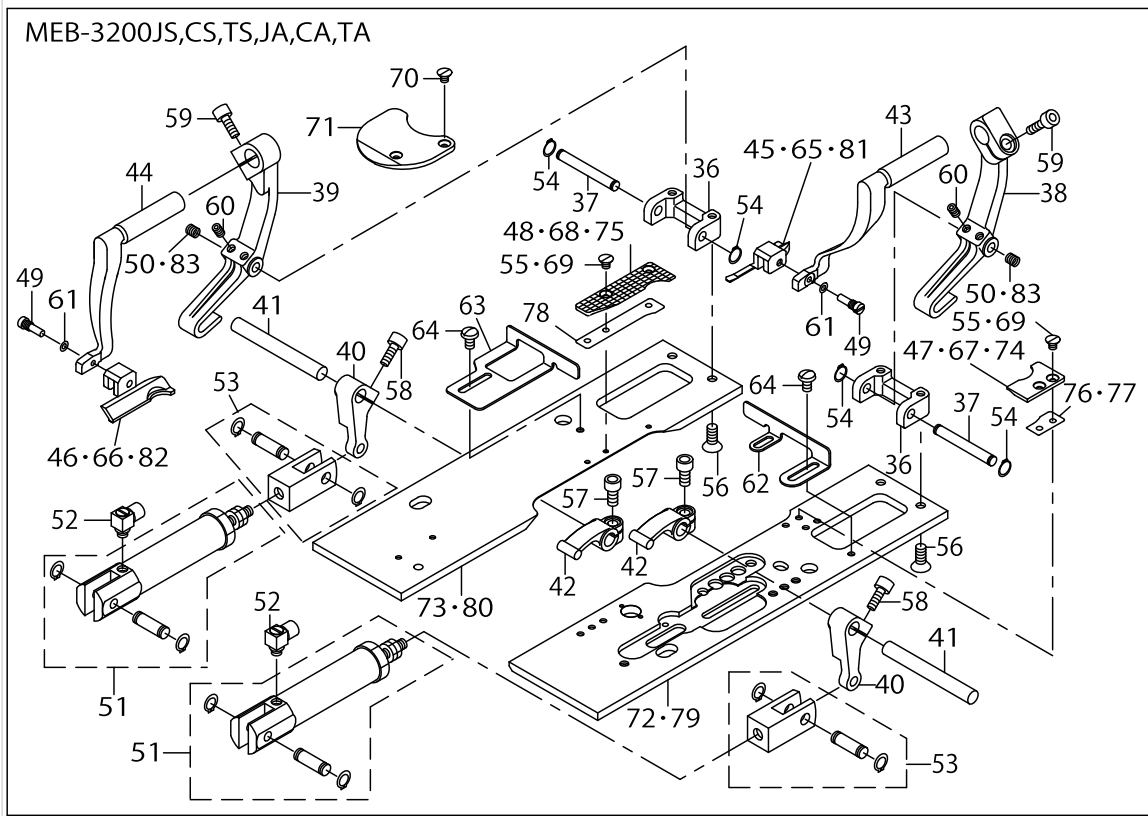
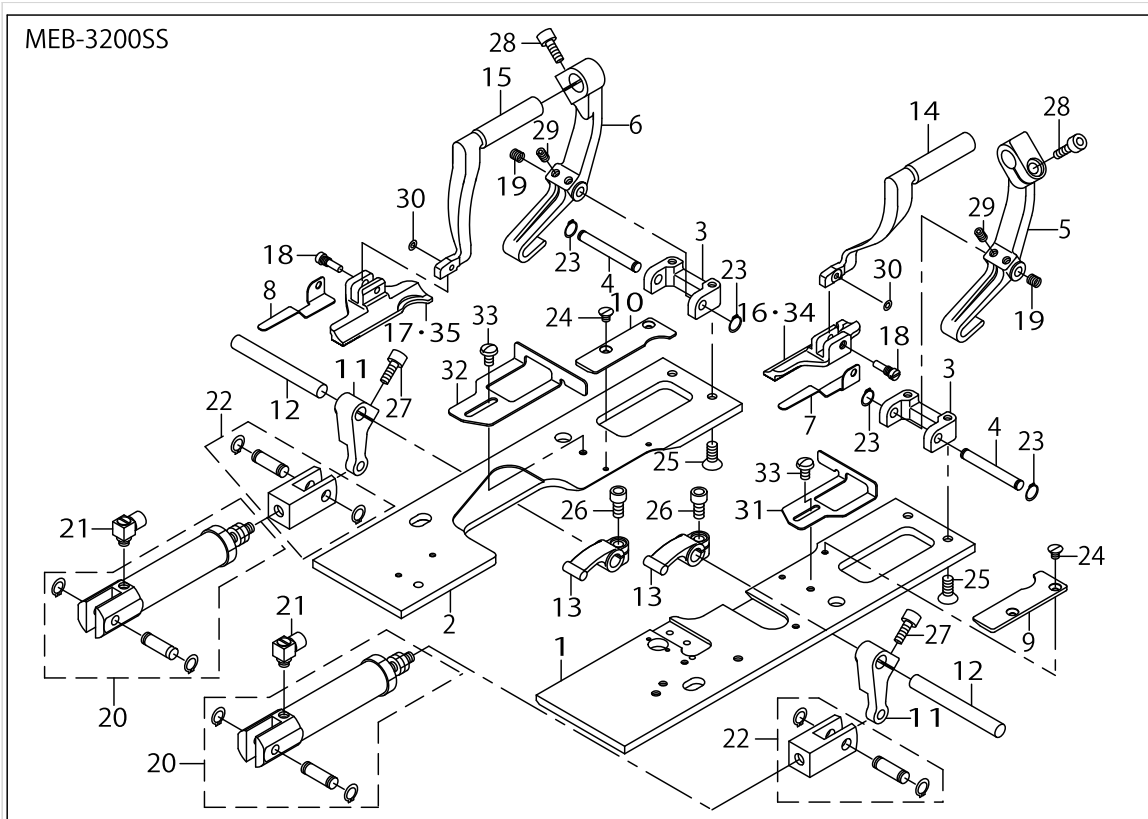
PRESSER COMPONENTS (1) (FOR MEB-3200SS, JS, CS, TS, JA, CA, TA)



PRESSER COMPONENTS (1) (FOR MEB-3200SS, JS, CS, TS, JA, CA, TA)

No.	Parts No.	Parts name	Remarks	Level	Cons	Qty
1	32026007	PRESSER PLATE, RIGHT	FOR MEB-3200SS			1
2	32026106	PRESSER PLATE, LEFT	FOR MEB-3200SS			1
3	32026205	ARM INSTALLING BASE				2
4	32026304	FULCRUM SHAFT				2
5	32026403	PRESSER ARM BASE, RIGHT				1
6	32026502	PRESSER ARM BASE, LEFT				1
7	32026809	AUXILIARY PRESSER PLATE, RIGHT	FOR MEB-3200SS(EXCEPT CHINA)			1
8	32026908	AUXILIARY PRESSER PLATE, LEFT	FOR MEB-3200SS(EXCEPT CHINA)			1
9	32027005	HOLDING PLATE, RIGHT	FOR MEB-3200SS			1
10	32027104	HOLDING PLATE, LEFT	FOR MEB-3200SS			1
11	32027203	PRESSER LEVER MOVING ARM				2
12	32027401	PRESSER LEVER SHAFT				2
13	32027500	PRESSER LEVER				2
14	32028003	PRESSER ARM, RIGHT				1
15	32028102	PRESSER ARM, LEFT				1
16	14010003	PRESSER FOOT (RIGHT) 40MM	FOR MEB-3200SS			1
17	14010102	PRESSER FOOT (LEFT) 40MM	FOR MEB-3200SS			1
18	14010508	PRESSER FOOT ATTACHING SCREW				2
19	21057500	HOOK COUNTER SPRING				2
20	PA1602011A0	AIR CYLINDER				2
21	PJ046052503	HOSE ELBOW				2
22	PX500020000	KNUCKLE JOINT				2
23	RC0470611KP	RETAINING RING 4.7				4
24	SM1030400SP	SCREW M3 L=4				4
25	SM1041001SP	SCREW M4X0.7 L=10				4
26	SM6040802TP	SCREW M4X0.7 L=8				2
27	SM6041202TP	SCREW M4X0.7 L=12				2
28	SM6051002TN	BOLT				2
29	SM8040612TP	SCREW M4 L=6				4
30	WZ0320290UZ	WASHER 3.2X6.5X0.15				2
31	32027609	VERTICAL GUIDE, RIGHT	FOR MEB-3200SS			1
32	32027708	VERTICAL GUIDE, LEFT	FOR MEB-3200SS			1
33	SS5090610SP	SCREW 9/64-40 L=6	FOR MEB-3200SS			2
34	32028607	PRESSER FOOT, RIGHT M	FOR MEB-3200SS(CHINA)			1
35	32028706	PRESSER FOOT, LEFT M	FOR MEB-3200SS(CHINA)			1
36	32026205	ARM INSTALLING BASE				2
37	32026304	FULCRUM SHAFT				2
38	32026403	PRESSER ARM BASE, RIGHT				1
39	32026502	PRESSER ARM BASE, LEFT				1
40	32027203	PRESSER LEVER MOVING ARM				2
41	32027401	PRESSER LEVER SHAFT				2
42	32027500	PRESSER LEVER				2
43	32028003	PRESSER ARM, RIGHT				1
44	32028102	PRESSER ARM, LEFT				1
45	32028607	PRESSER FOOT, RIGHT M	FOR MEB-3200JS(EXCEPT JE),JA			1
46	32028706	PRESSER FOOT, LEFT M	FOR MEB-3200JS(EXCEPT JE),JA			1
47	32028805	HOLDING PLATE, J RIGHT M	FOR MEB-3200JS,JA			1

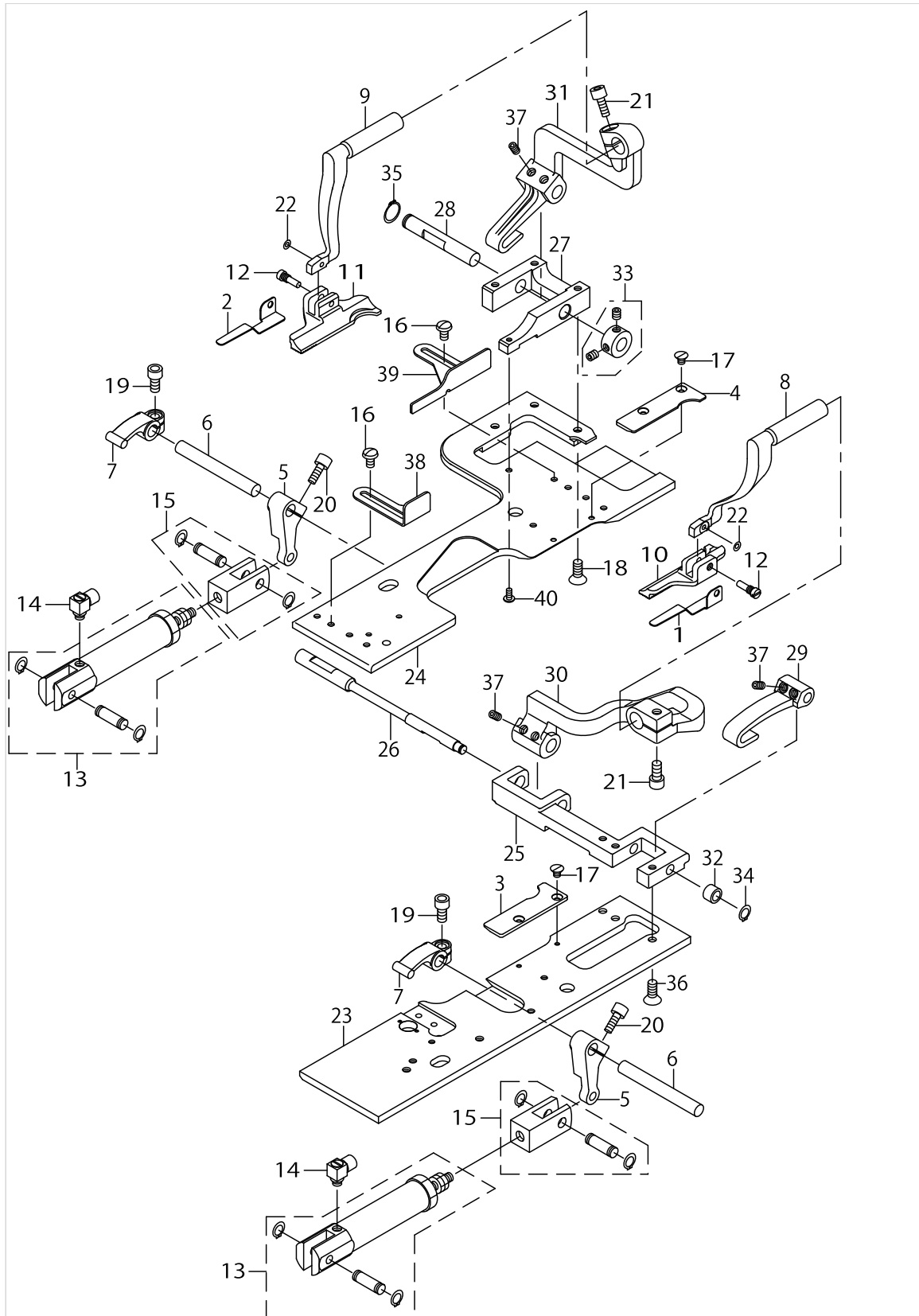
PRESSER COMPONENTS (1) (FOR MEB-3200SS, JS, CS, TS, JA, CA, TA)



PRESSER COMPONENTS (1) (FOR MEB-3200SS, JS, CS, TS, JA, CA, TA)

No.	Parts No.	Parts name	Remarks	Level	Cons	Qty
48	32028912	HOLDING PLATE, J LEFT M	FOR MEB-3200JS,JA			1
49	14010508	PRESSER FOOT ATTACHING SCREW				2
50	21057500	HOOK COUNTER SPRING	FOR MEB-3200JS(EXCEPT JE),JA			2
51	PA1602011A0	AIR CYLINDER				2
52	PJ046052503	HOSE ELBOW				2
53	PX500020000	KNUCKLE JOINT				2
54	RC0470611KP	RETAINING RING 4.7				4
55	SM1030400SP	SCREW M3 L=4	EXCEPT MEB-3200TS,TA			4
56	SM1041001SP	SCREW M4X0.7 L=10				4
57	SM6040802TP	SCREW M4X0.7 L=8				2
58	SM6041202TP	SCREW M4X0.7 L=12				2
59	SM6051002TN	BOLT				2
60	SM8040612TP	SCREW M4 L=6				4
61	WZ0320290UZ	WASHER 3.2X6.5X0.15				2
62	32029209	VERTICAL GUIDE, RIGHT J	FOR MEB-3200JS,TS,JA,TA			1
63	32029308	VERTICAL GUIDE, LEFT J	FOR MEB-3200JS,TS,JA,TA			1
64	SS5090610SP	SCREW 9/64-40 L=6	FOR MEB-3200JS,TS,JA,TA			3
65	32028201	COMPENSATING FOOT, RIGHT S	FOR MEB-3200CS,TS,CA,TA			1
66	32028300	COMPENSATING FOOT, LEFT S	FOR MEB-3200CS,TS,CA,TA			1
67	32028409	HOLDING PLATE,J RIGHT S	FOR MEB-3200CS,CA			1
68	32028516	HOLDING PLATE,J LEFT S	FOR MEB-3200CS,CA			1
69	SM1030400SP	SCREW M3 L=4	FOR MEB-3200TS,TA			6
70	SM1030400SP	SCREW M3 L=4	FOR MEB-3200TS,TA			2
71	32029704	PRESSER PLATE UPPER COVER	FOR MEB-3200TS,TA			1
72	32029803	PRESSER PLATE,T RIGHT	FOR MEB-3200TS,TA			1
73	32029902	PRESSER PLATE,T LEFT	FOR MEB-3200TS,TA			1
74	14011407	HOLDING PLATE (RIGHT)	FOR MEB-3200TS,TA			1
75	14011506	HOLDING PLATE (LEFT)	FOR MEB-3200TS,TA			1
76	40015997	HOLDING PLATE SPACER RIGHT S	FOR MEB-3200CS,CA			1
77	40015998	HOLDING PLATE SPACER RIGHT M	FOR MEB-3200JS,JA			1
78	40016000	HOLDING PLATE SPACER LEFT	FOR MEB-3200JS,CS,JA,CA			1
79	32027807	PRESSER PLATE J, RIGHT	FOR MEB-3200JS,JA			1
80	32027906	PRESSER PLATE J, LEFT	FOR MEB-3200JS,JA			1
81	40035238	PRESSER FOOT RIGHT W(M)	FOR MEB-3200JS(JE)			1
82	40035239	PRESSER FOOT LEFT W(M)	FOR MEB-3200JS(JE)			1
83	21057500	HOOK COUNTER SPRING	FOR MEB-3200JS(JE)			4

PRESSER COMPONENTS (2) (FOR MEB-3200RS)



PRESSER COMPONENTS (2) (FOR MEB-3200RS)

No.	Parts No.	Parts name	Remarks	Level	Cons	Qty
1	32026809	AUXILIARY PRESSER PLATE, RIGHT				1
2	32026908	AUXILIARY PRESSER PLATE, LEFT				1
3	32027005	HOLDING PLATE, RIGHT				1
4	32027104	HOLDING PLATE, LEFT				1
5	32027203	PRESSER LEVER MOVING ARM				2
6	32027401	PRESSER LEVER SHAFT				2
7	32027500	PRESSER LEVER				2
8	32028003	PRESSER ARM, RIGHT				1
9	32028102	PRESSER ARM, LEFT				1
10	14010003	PRESSER FOOT (RIGHT) 40MM				1
11	14010102	PRESSER FOOT (LEFT) 40MM				1
12	14010508	PRESSER FOOT ATTACHING SCREW				2
13	PA1602011A0	AIR CYLINDER				2
14	PJ046052503	HOSE ELBOW				2
15	PX500020000	KNUCKLE JOINT				2
16	SS5090610SP	SCREW 9/64-40 L=6				4
17	SM1030400SP	SCREW M3 L=4				4
18	SM1041001SP	SCREW M4X0.7 L=10				3
19	SM6040802TP	SCREW M4X0.7 L=8				2
20	SM6041202TP	SCREW M4X0.7 L=12				2
21	SM6051002TN	BOLT				2
22	WZ0320290UZ	WASHER 3.2X6.5X0.15				2
23	32031007	PRESSER PLATE, RIGHT				1
24	32031106	PRESSER PLATE, LEFT				1
25	32031205	ARM INSTALLING BASE, RIGHT				1
26	32031304	ARM BASE SHAFT, RIGHT				1
27	32031502	ARM INSTALLING BASE, LEFT				1
28	32031601	ARM BASE SHAFT, LEFT				1
29	32031700	MOVING ARM				1
30	32031809	PRESSER ARM BASE, RIGHT				1
31	32031908	PRESSER ARM BASE, LEFT				1
32	11041100	ROLLER				1
33	CS080081BSH	THRUST COLLAR ASM. D=8.0 W=8				1
34	RC0470611KP	RETAINING RING 4.7				1
35	RC0740811KP	C-RING				1
36	SM5040855SN	SCREW				3
37	SM8050412TP	SCREW M5 L=4				6
38	32032104	GUIDE, FRONT				1
39	32032203	GUIDE, REAR				1
40	SM0030601SC	SCREW M3X0.5 L=6				1

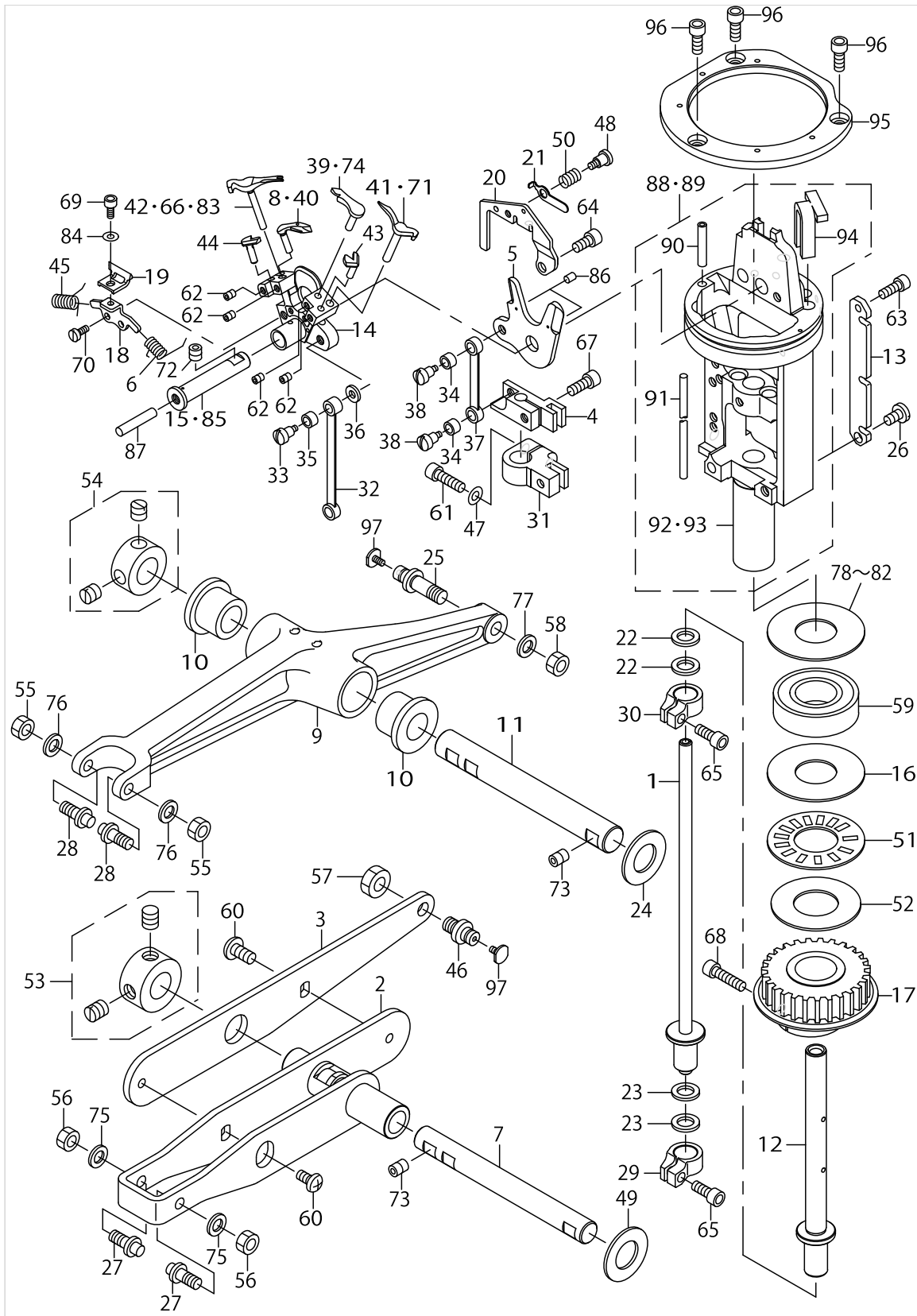


REVOLUTION COMPONENTS

No.	Parts No.	Parts name	Remarks	Level	Cons	Qty
1	32034001	REVOLUTION MOTOR BRACKET				1
2	32034308	REVOLUTION MOTOR PULLEY				1
3	32034407	CONNECTING PULLEY, L				1
4	32034506	CONNECTING PULLEY, U				1
5	32034605	CONNECTING SHAFT				1
6	32034704	TENSION PULLEY				1
7	32034803	TENSION PULLEY SHAFT				1
8	32034902	TENSION PULLEY BRACKET				1
9	32035008	TIMING BELT, L			☆	1
10	32035107	TIMING BELT, U			☆	1
11	KM000000330	PULSE MOTOR				1
12	B1816280000	GUIDE PIN				2
13	CS1201010SH	THRUST COLLAR ASM. D=12 W=10				1
14	NM6050003SC	NUT M5X0.8				1
15	PH0400105S0	PIN 4.0X10				1
16	RC0740816K0	RETAINING RING				1
17	SB108000200	SIDE BEARING				2
18	SB112000600	BEARING				2
19	SM6041202TP	SCREW M4X0.7 L=12				2
20	SM6041602TP	SCREW M4X0.7 L=16				1
21	SM6051202TP	SCREW M5X0.8 L=12				4
22	SM8060812TP	SCREW M6 L=8				2
23	SM8060812TP	SCREW M6 L=8				2
24	SS6110610TP	SCREW 11/64-40 L=6				1
25	SS7111120TP	SCREW				4
26	WP0430800SD	WASHER M4				4
27	32035206	REVOLUTION TENSION BRACKET				1
28	WP0561616SC	WASHER 5.6X16X1.6				4
29	WP0550800SP	WASHER 5.5X10X0.8				1
30	WP0820516SP	WASHER 11.6X8.2X0.6				1
31	32077059	HOME POSITION SENSOR ASM.				1
32	32077109	SENSOR BRACKET				1
33	SS7110510SP	SCREW 11/64-40 L=5				2
34	32077208	SENSOR SLIT				1
35	SM6031002TP	HEXAGONAL BOLT M3 X 10				2
36	WP0320501SC	WASHER M3				2
37	WP0551016SH	WASHER 5.5X13X1				4



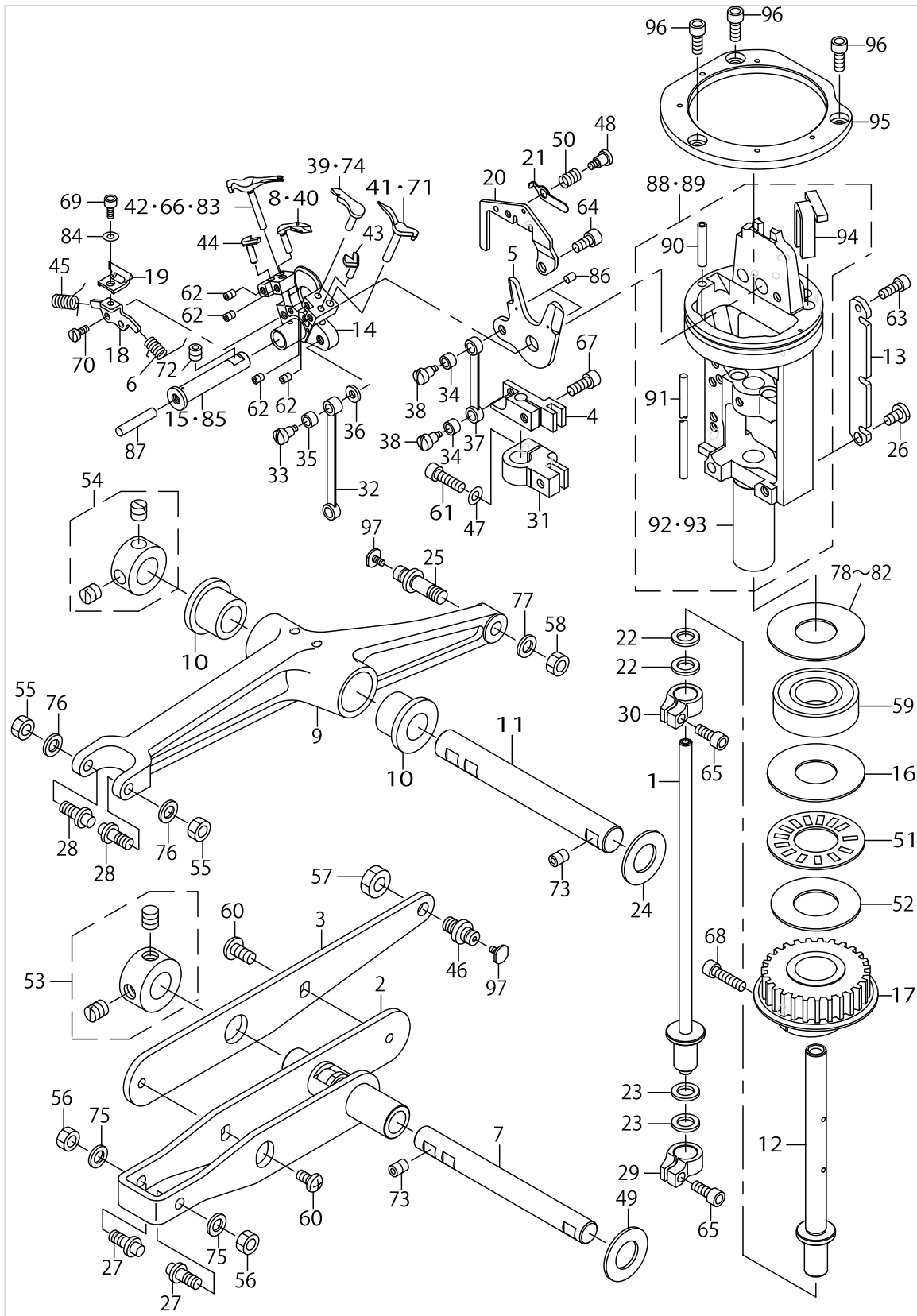
# LOOPER DRIVING COMPONENTS



LOOPER DRIVING COMPONENTS

No.	Parts No.	Parts name	Remarks	Level	Cons	Qty
1	32038051	SPREADER DRIVING SHAFT COMPLE.				1
2	32038259	DRIVING ARM, A COMPLE.				1
3	32038408	SPREADER DRIVING ARM, B				1
4	32038507	SPREADER DRIVING SHAFT GUIDE				1
5	32038614	CAM			☆	1
6	32038705	SPREADER SPRING (RIGHT)			☆	1
7	32038804	FULCRUM SHAFT				1
8	32040800	LOOPER, LEFT	EXCEPT MEB-3200JS(USE IN JAPAN), MEB-3200JA(USE IN JAPAN)		☆	1
9	32039109	LOOPER DRIVING ARM				1
10	32039208	LOOPER DRIVING ARM METAL				2
11	32039307	FULCRUM SHAFT				1
12	40097980	LOOPER DRIVING SHAFT				1
13	32039505	GUIDE PLATE				1
14	32039604	LOOPER FITTING BASE			☆	1
15	32039703	FULCRUM SHAFT	EXCEPT MEB-3200TS,TA			1
16	32039802	LOOPER BRACKET SPACER A				1
17	32039901	LOOPER REVOLUTION PULLEY				1
18	32040008	NEEDLE PLATE SUPPORT				1
19	32040115	NEEDLE PLATE			☆	1
20	32040206	GIMP GUIDE	EXCEPT MEB-3200TS,TA			1
21	32040305	PRESSER PLATE	EXCEPT MEB-3200TS,TA			1
22	10112704	THRUST WASHER 1.8				2
23	10112704	THRUST WASHER 1.8				2
24	13887005	THRUST WASHER				1
25	40099924	LOOPER CAM ROLLER PIN				1
26	SS7110710SP	SCREW 11/64-40 L=7	FOR MEB-3200JS,CS,JA,CA			1
27	14028302	LOOPER DRIVING FORK SHAFT				2
28	14028302	LOOPER DRIVING FORK SHAFT				2
29	14028708	LOOPER DRIVING SHAFT COLLAR				1
30	14028708	LOOPER DRIVING SHAFT COLLAR				1
31	40097981	LOOPER DRIVING SHAFT GUIDE				1
32	14029755	LOOPER DRIVING ROD ASM.				1
33	14029904	SCREW				2
34	14030001	LOOPER DRIVE BUSHING				2
35	14030001	LOOPER DRIVE BUSHING				2
36	14030100	WASHER				2
37	14030506	SPREADER DRIVING ROD				1
38	14030605	SCREW				2
39	14030803	LOOPER, RIGHT			☆	1
40	14030902	LOOPER, LEFT			☆	1
41	14031017	SPREADER, RIGHT			☆	1
42	14031116	SPREADER, LEFT	FOR MEB-3200JS(USE IN JAPAN), MEB-3200JA(USE IN JAPAN)		☆	1
43	40015693	SPREADER STOPPER RIGHT			☆	1
44	40015692	SPREADER STOPPER LEFT			☆	1
45	14032403	SPREADER SPRING, LEFT			☆	1
46	40099925	SPREADER CAM ROLLER PIN				1

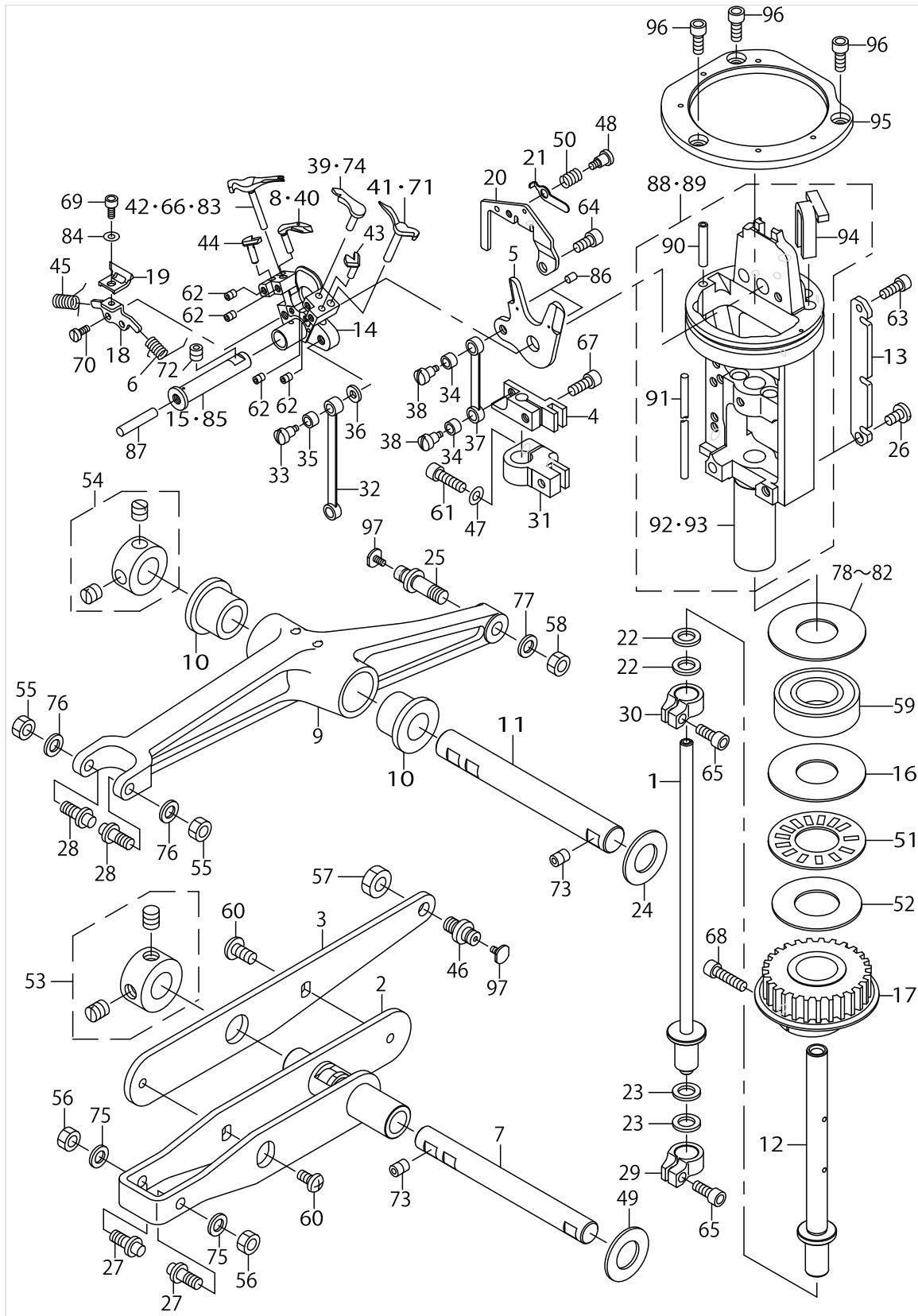
# LOOPER DRIVING COMPONENTS



LOOPER DRIVING COMPONENTS

No.	Parts No.	Parts name	Remarks	Level	Cons	Qty
47	WP0410846SC	WASHER				1
48	14044903	SCREW	EXCEPT MEB-3200TS,TA			1
49	16992604	THRUST WASHER				1
50	B1135850000	TENSION SPRING (A)	EXCEPT MEB-3200TS,TA			1
51	B1211280000	THRUST BEARING				1
52	B1643470000	THRUST WASHER				1
53	CS100081CSP	THRUST COLLAR ASM.				1
54	CS1201010SH	THRUST COLLAR ASM. D=12 W=10				1
55	NM6050003SC	NUT M5X0.8				2
56	NM6050003SC	NUT M5X0.8				2
57	NM6060003SC	NUT M6				1
58	NM6060003SC	NUT M6				1
59	SB117000700	BEARING				1
60	SM4040855SP	SCREW				2
61	SM6041402TP	SCREW M4 L=14				1
62	SM8030412TP	SCREW				4
63	SM6030802TP	SCREW M3X0.5 L=8				1
64	SM6040802TP	SCREW M4X0.7 L=8	EXCEPT MEB-3200TS,TA			1
65	SM6041002TP	SCREW M4 L=10				2
66	40015684	SPREADER LEFT (NARROW) G	FOR MEB-3200SS(CHINA),JS(CHINA), CS(CHINA)		☆	1
67	SM6041002TP	SCREW M4 L=10				1
68	SM6041602TP	SCREW M4X0.7 L=16				1
69	SM6850502TN	SCREW M2.5 L=5				1
70	SM6850600SP	SCREW				2
71	40015685	SPREADER RIGHT G	FOR MEB-3200SS(CHINA),JS(CHINA), CS(CHINA)		☆	1
72	SM8050502TP	SCREW M5 L=5				1
73	SM8060812TP	SCREW M6 L=8				4
74	40015694	LOOPER RIGHT G	FOR MEB-3200SS(CHINA),JS(CHINA), CS(CHINA)		☆	1
75	WP0531000SC	WASHER 5.3X10X1				2
76	WP0531000SC	WASHER 5.3X10X1				2
77	WP0621016SH	WASHER				1
78	32039802	LOOPER BRACKET SPACER A	SELECTIVE PARTS			1
79	32040404	LOOPER BRACKET SPACER A1	SELECTIVE PARTS			1
80	32040503	LOOPER BRACKET SPACER A2	SELECTIVE PARTS			1
81	32040602	LOOPER BRACKET SPACER A3	SELECTIVE PARTS			1
82	32040701	LOOPER BRACKET SPACER A4	SELECTIVE PARTS			1
83	32040917	SPREADER, LEFT	EXCEPT MEB-3200JS(USE IN JAPAN), MEB-3200JA(USE IN JAPAN)		☆	1
84	WP0280501SC	WASHER M2.6				1
85	32037400	FULCRUM SHAFT T	FOR MEB-3200TS,TA			1
86	B1821210D00	SHUTTLE OIL FELT,B				2
87	CQ3500000F0	OIL FELT				0.02
88	40102607	LOOPER_BRACKET_ASM	EXCEPT MEB-3200TS,TA			1
89	40102608	LOOPER_BRACKET_T_ASM	FOR MEB-3200TS,TA			1
90	14045504	THREAD GUIDE PIPE		*		1
91	CQ303000000	OIL WICK		*		0.4
92	40097982	LOOPER_BRACKET	EXCEPT MEB-3200TS,TA	*		1

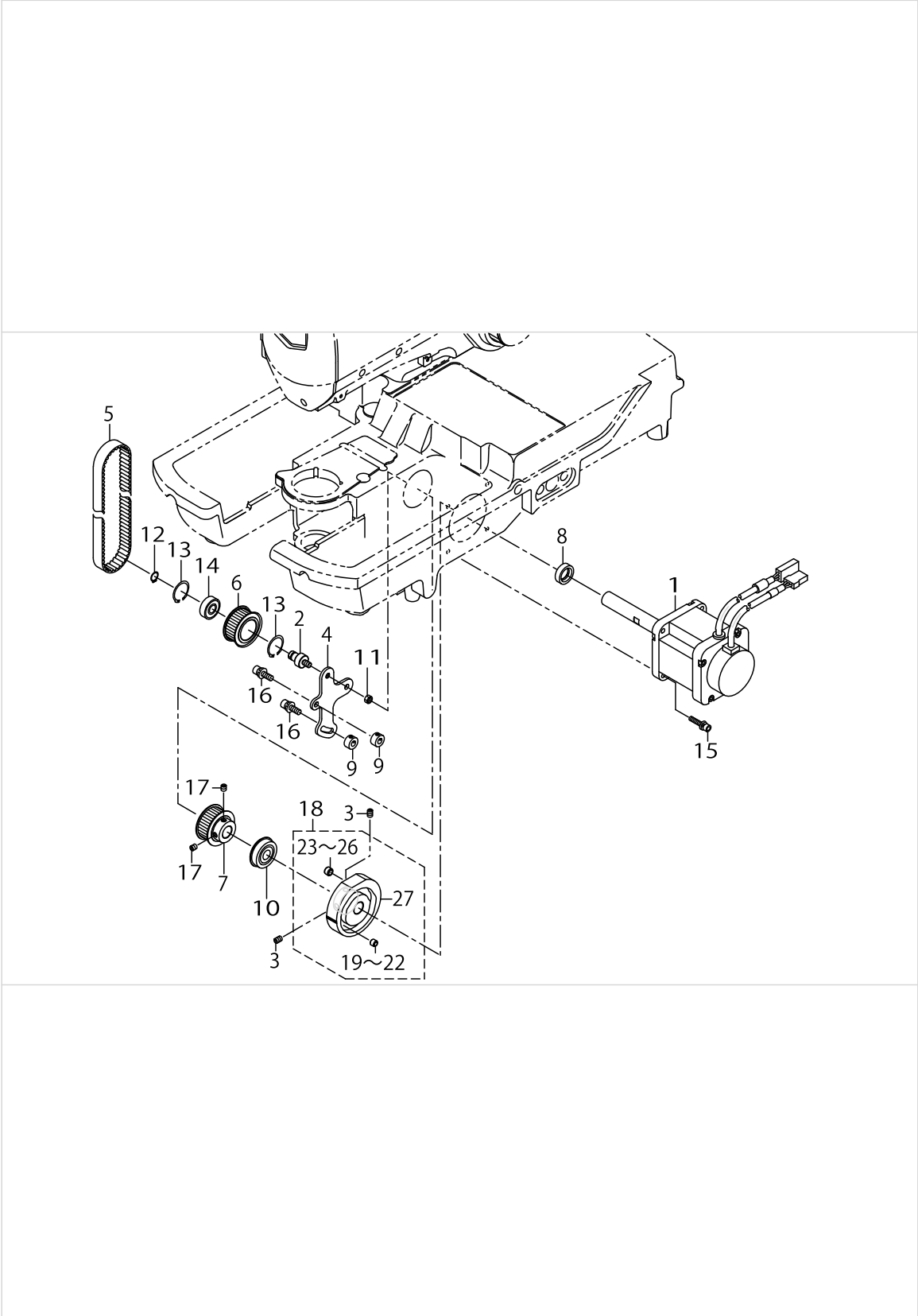
# LOOPER DRIVING COMPONENTS



LOOPER DRIVING COMPONENTS

No.	Parts No.	Parts name	Remarks	Level	Cons	Qty
93	40097989	LOOPER_BRACKET_T	FOR MEB-3200TS,TA	*		1
94	40020192	BRACKET LUBRICATION FELT B		*		1
95	40085144	LOOPER BRACKET METAL				1
96	SM6041002TP	SCREW M4 L=10				3
97	40099923	CAM ROLLER SCREW				2

LOWER SHAFT COMPONENTS

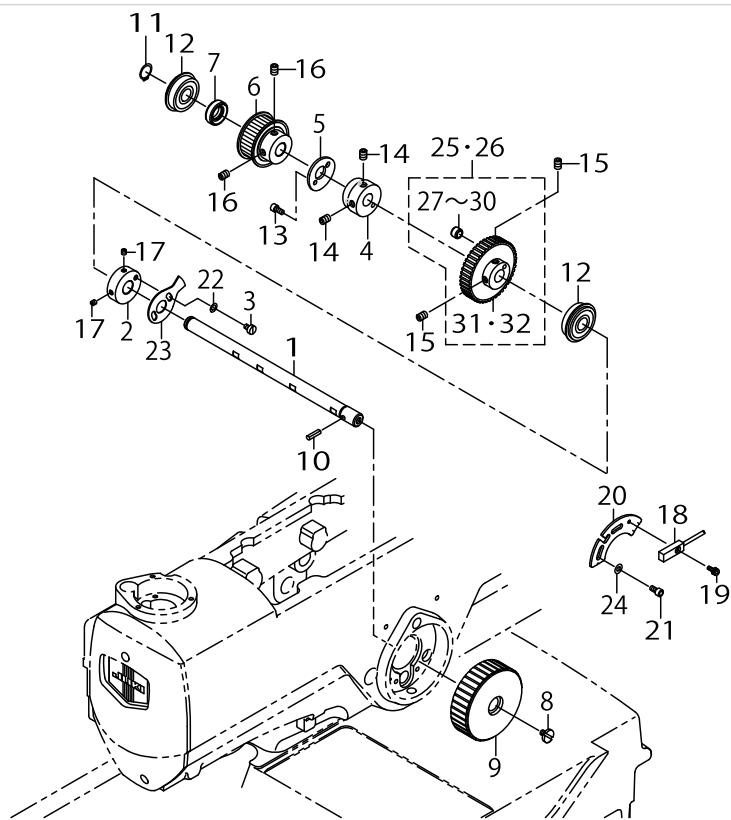


LOWER SHAFT COMPONENTS

No.	Parts No.	Parts name	Remarks	Level	Cons	Qty
1	KM000000340	SERVO MOTOR				1
2	32036907	TENSION PULLEY SHAFT				1
3	SM8060812TP	SCREW M6 L=8				2
4	32037004	TENSION PULLEY BRACKET				1
5	32036709	UPPER SHAFT TIMING BELT			☆	1
6	32036808	TENSION PULLEY				1
7	32036600	LOWER SHAFT PULLEY				1
8	13707500	OIL SEAL				1
9	CS0700811SH	THRUST COLLAR D=7 W=8				2
10	G1216870000	UPPER SHAFT REAR BEARING				1
11	NS6660430SP	NUT 1/4-40				1
12	RC0100001KP	SNAP RING M10				1
13	RC2791218KP	RETAINING RING				2
14	SB110000400	BALL BEARING				1
15	SL6052592TN	BOLT				4
16	SL6062092TN	SCREW M6 L=20				2
17	SM8060612TP	SCREW M6 L=6				2
18	40104361	LOOPER DRIVING CAM ASM				1
19	40100085	LOOPER CAM ROLLER A	SELECTIVE PARTS	*		1
20	40100086	LOOPER CAM ROLLER B	SELECTIVE PARTS	*		1
21	40100087	LOOPER CAM ROLLER C	SELECTIVE PARTS	*		1
22	40100088	LOOPER CAM ROLLER D	SELECTIVE PARTS	*		1
23	40099989	SPREADER CAM ROLLER A	SELECTIVE PARTS	*		1
24	40099990	SPREADER CAM ROLLER B	SELECTIVE PARTS	*		1
25	40099991	SPREADER CAM ROLLER C	SELECTIVE PARTS	*		1
26	40099992	SPREADER CAM ROLLER D	SELECTIVE PARTS	*		1
27	32036501	LOOPER DRIVING CAM		*		1



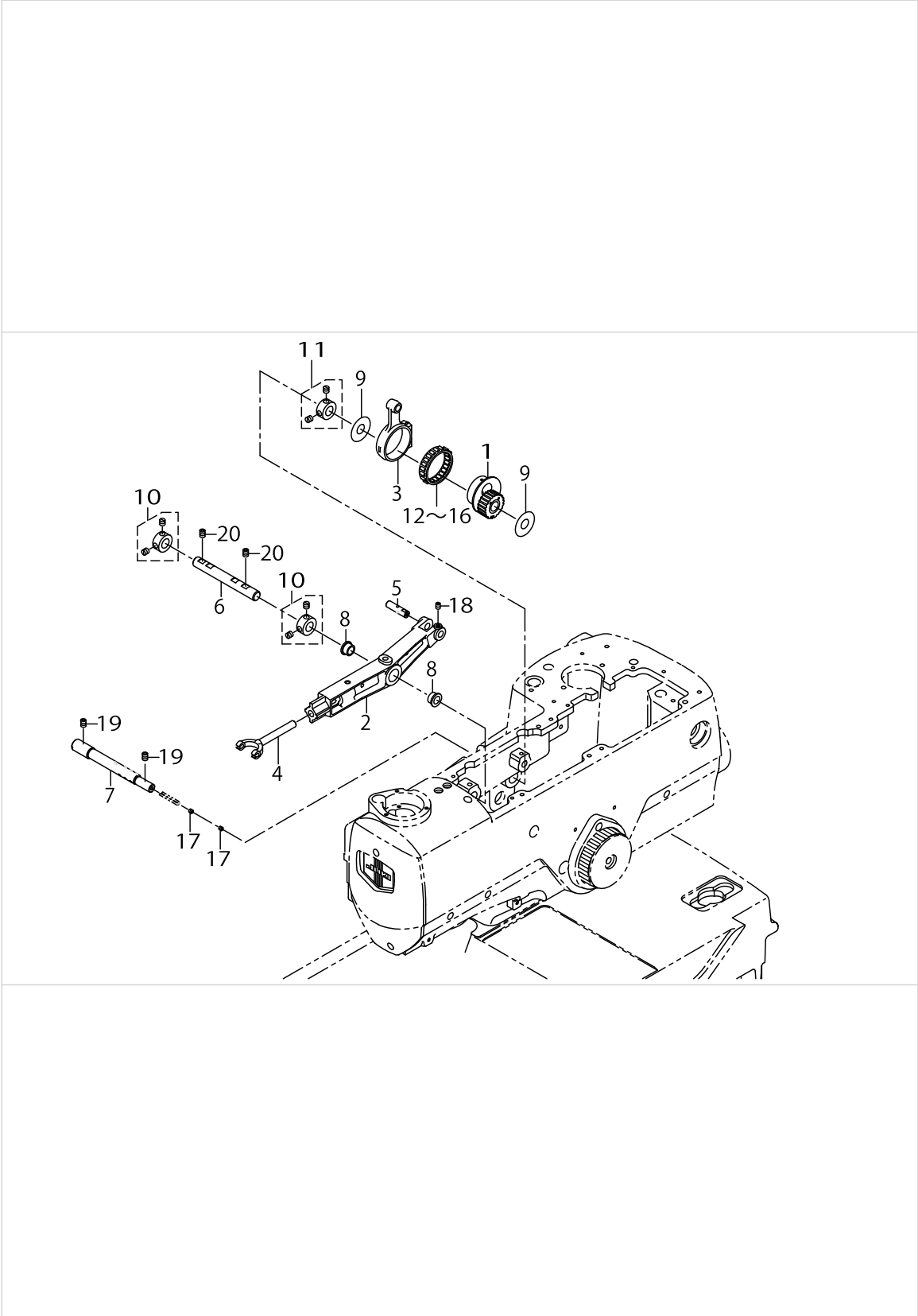
UPPER SHAFT COMPONENTS



UPPER SHAFT COMPONENTS

No.	Parts No.	Parts name	Remarks	Level	Cons	Qty
1	32044000	UPPER SHAFT				1
2	32044109	UPPER SHAFT COLLAR				1
3	SS6110610TP	SCREW 11/64-40 L=6				1
4	32044307	NEEDLE BAR ROCKING CAM				1
5	32044406	ROCKING CAM COVER				1
6	32044505	UPPER SHAFT PULLEY				1
7	22888507	OIL SEAL				1
8	A1230500000A	HANDWHEEL SETSCREW				1
9	B1212210D00	PULLEY				1
10	PS0400142KH	SPRING PIN 4X14				1
11	RC1200001KP	C-SHAPED SNAP RING				1
12	SB112000100	BEARING D=12X32				2
13	SM6040802TP	SCREW M4X0.7 L=8				2
14	SM8060812TP	SCREW M6 L=8				2
15	SM8060812TP	SCREW M6 L=8				2
16	SM8060812TP	SCREW M6 L=8				2
17	SS8110422TP	SCREW 11/64-40 L=4				2
18	32077653	SENSOR ASM.				1
19	SL4031041SC	WASHER SCREW				1
20	32077703	SENSOR BRACKET				1
21	SM6040802TP	SCREW M4X0.7 L=8				2
22	WP0480856SP	WASHER 4.8X8.4X0.8				1
23	32077802	SENSOR SLIT				1
24	WP0430801SC	WASHER 4.3X9X0.8				2
25	40039176	BALANCE CAM ASM.				1
26	40039177	BALANCE CAM A ASM.	FOR MEB-3200SS(CHINA),JS(C-HINA), CS(CHINA),JS(JE)			1
27	32051203	CAM ROLLER, A	SELECTIVE PARTS	*		1
28	32051302	CAM ROLLER, B	SELECTIVE PARTS	*		1
29	32051401	CAM ROLLER, C	SELECTIVE PARTS	*		1
30	32051500	CAN ROLLER, D	SELECTIVE PARTS	*		1
31	32044208	BALANCE CAM	EXCEPT MEB-3200SS(CHINA), JS(CHINA),CS(CHINA),JS(JE)	*		1
32	40020277	BALANCE CAM A	FOR MEB-3200SS(CHINA),JS(C-HINA), CS(CHINA),JS(JE)	*		1

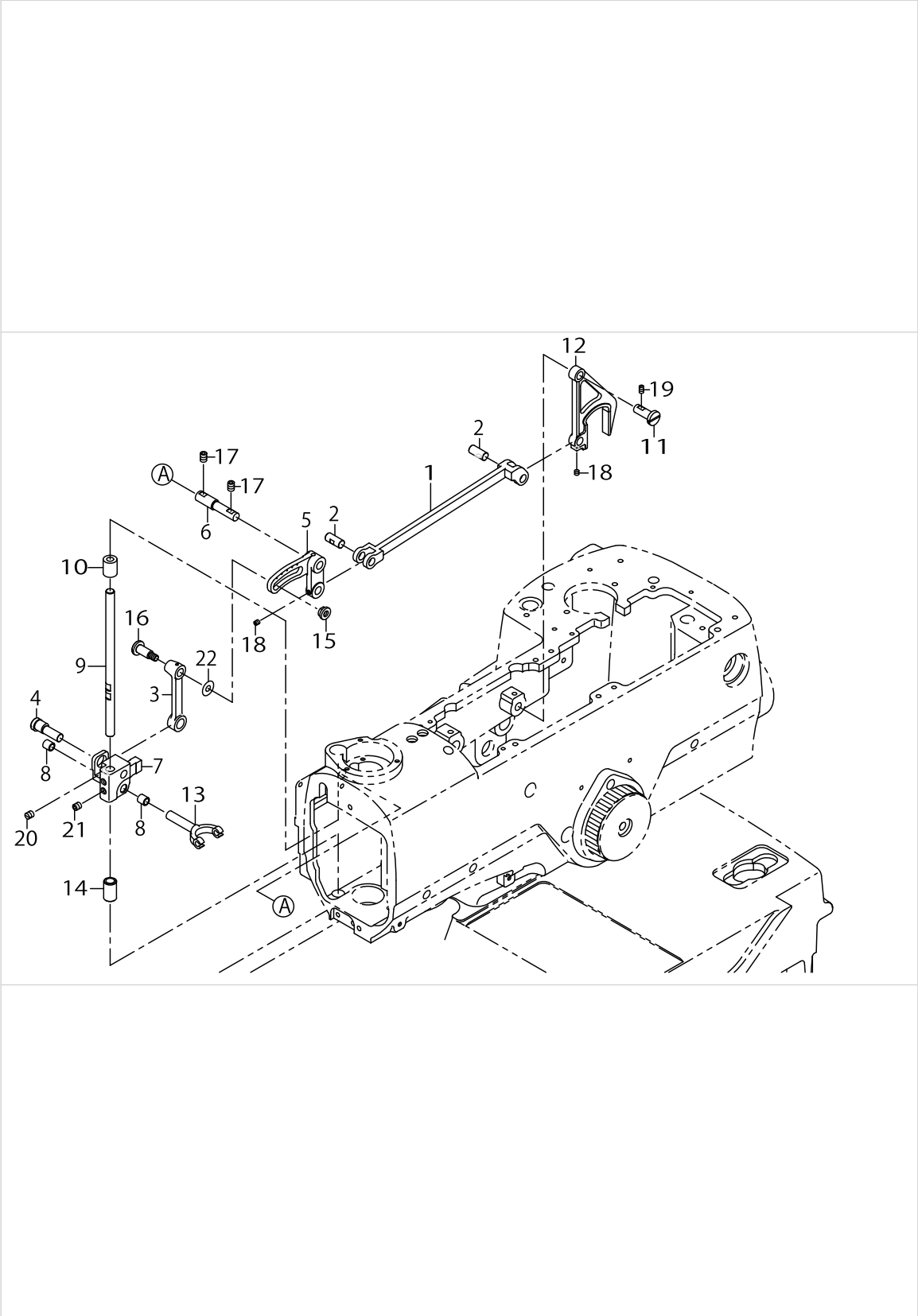
NEEDLE BAR DRIVING COMPONENTS



## NEEDLE BAR DRIVING COMPONENTS

No.	Parts No.	Parts name	Remarks	Level	Cons	Qty
1	32046054	NEEDLE BAR ROCKING CAM ASM.				1
2	32045809	NEEDLE BAR VERTICAL DRIVE ARM				1
3	32046302	VERTICAL ROCKING LINK				1
4	32045908	NEEDLE BAR VERTICAL BRANCH				1
5	32046401	VERTICAL ROCKING LINK SHAFT				1
6	32046500	FULCRUM SHAFT				1
7	32046609	NEEDLE BAR DRIVING SHAFT				1
8	32046708	VERTICAL ARM METAL				2
9	13887005	THRUST WASHER				2
10	CS1201010SH	THRUST COLLAR ASM. D=12 W=10				2
11	CS1201010SH	THRUST COLLAR ASM. D=12 W=10				1
12	SB33500020A	BEARING	SELECTIVE PARTS			1
13	SB33500020B	BEARING	SELECTIVE PARTS			1
14	SB33500020C	BEARING	SELECTIVE PARTS			1
15	SB33500020D	BEARING	SELECTIVE PARTS			1
16	SB33500020E	BEARING	SELECTIVE PARTS			1
17	SM8040412TP	SET SCREW M4 L=4				2
18	SM8050612TP	SCREW M5X6				1
19	SM8060812TP	SCREW M6 L=8				2
20	SM8060812TP	SCREW M6 L=8				2

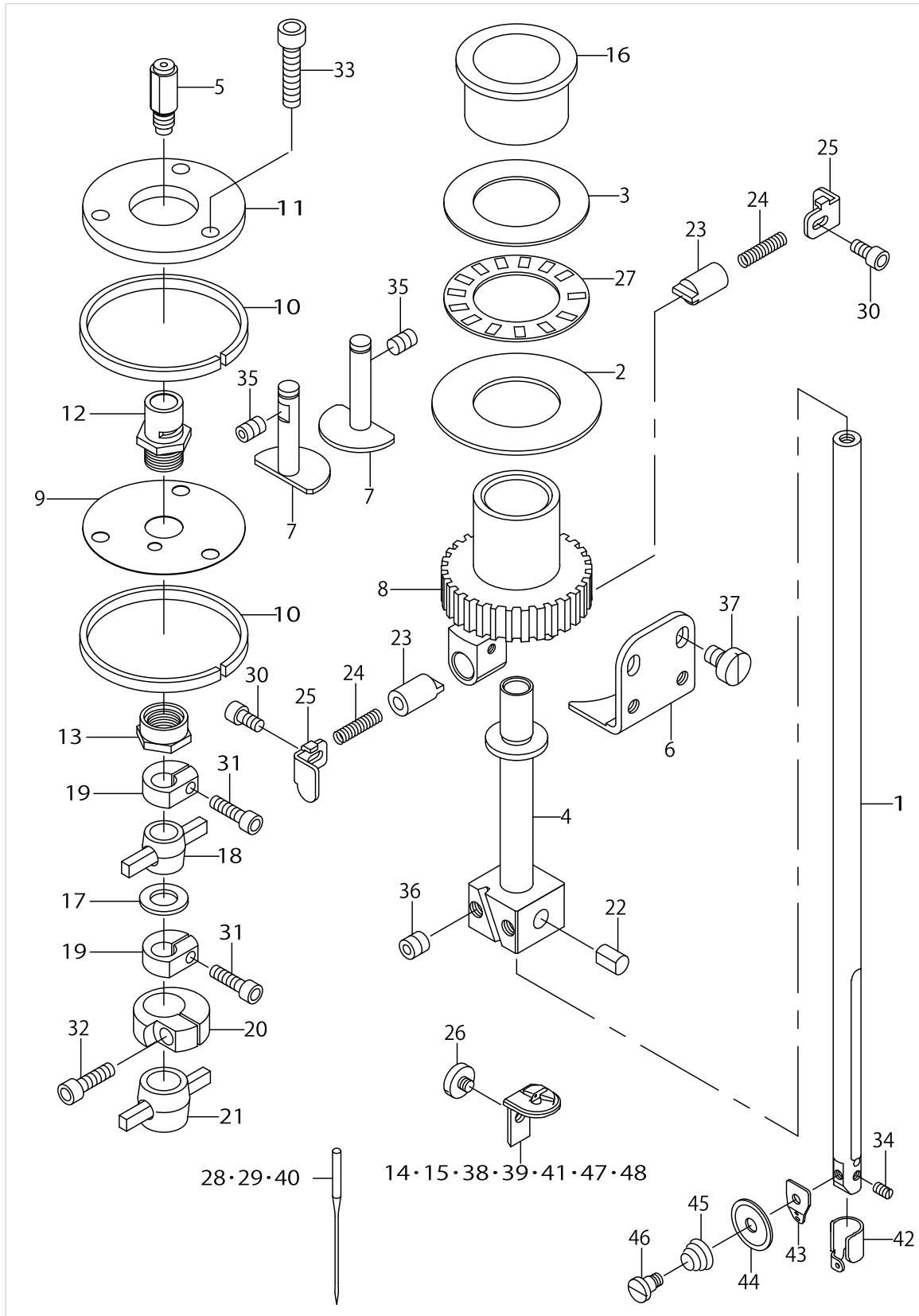
NEEDLE BAR ROCKING COMPONENTS



NEEDLE BAR ROCKING COMPONENTS

No.	Parts No.	Parts name	Remarks	Level	Cons	Qty
1	32048100	ROCKING LINK, A				1
2	32048209	FULCRUM SHAFT				2
3	32048308	ROCKING LINK, B				1
4	32048506	ECCENTRIC SHAFT				1
5	32048605	ADJUSTING ARM				1
6	32048704	FULCRUM SHAFT				1
7	32048803	VERTICAL SHAFT HOLDER				1
8	32048902	VERTICAL SHAFT HOLDER METAL				2
9	32049009	ROCKING VERTICAL SHAFT				1
10	32049108	VERTICAL UPPER METAL				1
11	13715701	FRAME ROCK SHAFT CRANK PIN				1
12	13715800	NEEDLE BAR PITMAN				1
13	14007108	FORK				1
14	18027607	SLEEVE				1
15	B1633210D00	ADJUSTING NUT				1
16	SD0801501TP	HINGE SCREW				1
17	SM8060812TP	SCREW M6 L=8				2
18	SS8110422TP	SCREW 11/64-40 L=4				2
19	SS8110750SP	SCREW 11/64-40 L=6.5				1
20	SS8660610TP	SCREW 1/4-40 L=6				1
21	SS8660612TP	SCREW 1/4-40 L=6				2
22	WP0611626SP	WASHER 15X6X1.6				1

NEEDLE BAR COMPONENTS

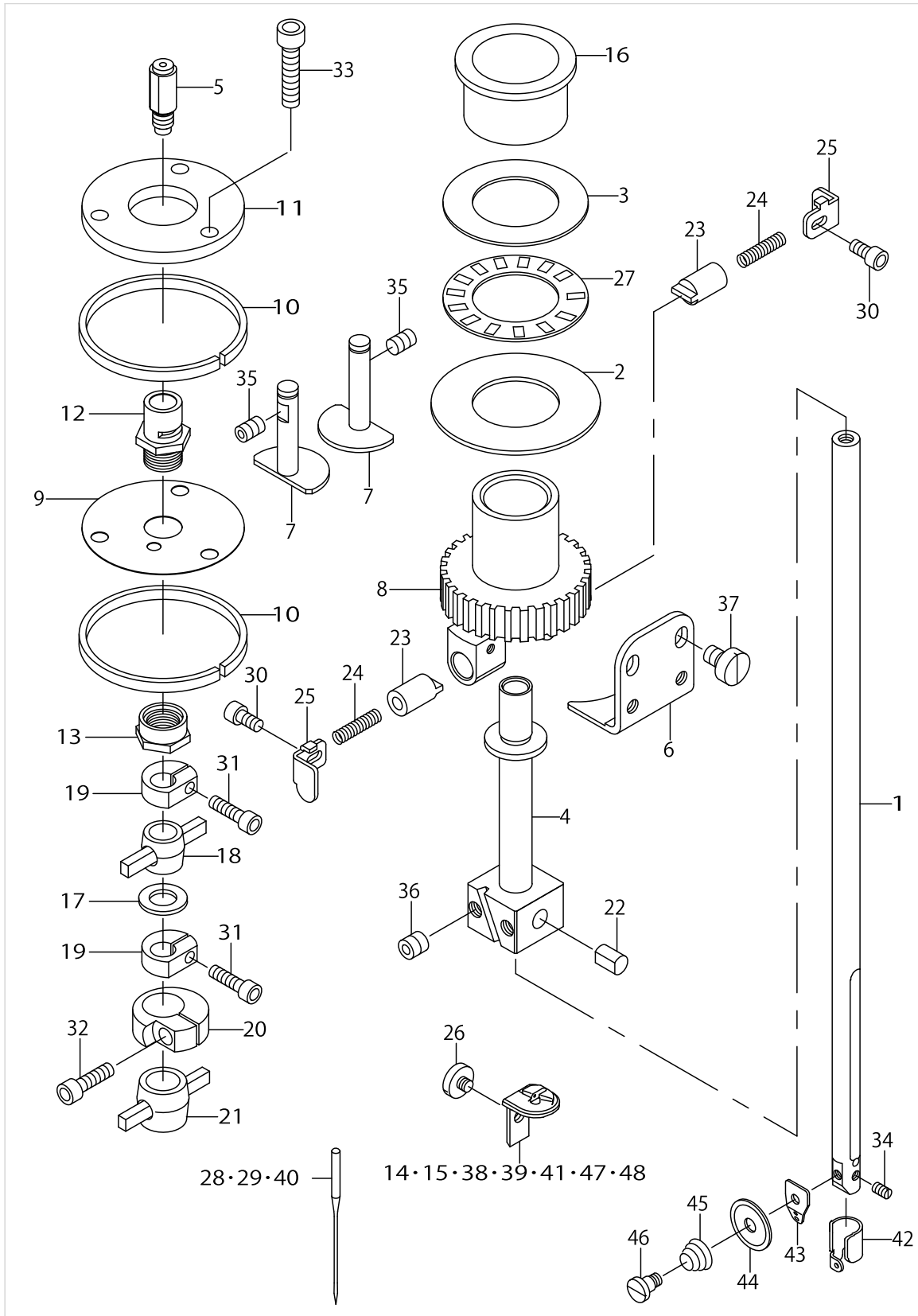


NEEDLE BAR COMPONENTS

No.	Parts No.	Parts name	Remarks	Level	Cons	Qty
1	32041055	NEEDLE BAR				1
2	32041303	NEEDLE BAR REVOLUTION RING				1
3	32041402	THRUST WASHER				1
4	32041105	NEEDLE BAR ROCKING BASE				1
5	32042350	NEEDLE BAR THREAD GUIDE ASM.			☆	1
6	32041600	PULLEY SUPPORT, A				1
7	32041709	PULLEY SUPPORT, B				2
8	32041204	REVOLUTION PULLEY				1
9	40099944	SPRING				1
10	32042004	UPPER METAL RING				2
11	32042103	RING HOLDER				1
12	40099942	UPPER METAL				1
13	40099943	NUT				1
14	32042715	THROAT PLATE, A	FOR MEB-3200SS,RS			1
15	32042830	THROAT PLATE, B	FOR MEB-3200JS(USE IN JAPAN), MEB-3200JA(USE IN JAPAN)			1
16	32041501	PULLEY METAL				1
17	B1906581000	THRUST WASHER				1
18	14005508	LINK				1
19	14005607	COLLAR				2
20	14006506	COLLAR				1
21	14007009	NEEDLE BAR ROCK LINK				1
22	14009005	NEEDLE BAR THRUST PIN				2
23	14009104	NEEDLE BAR ROCKING GUIDE				2
24	14009203	SPRING				2
25	14009302	ROCKING GUIDE HOOK				2
26	14009807	SCREW				1
27	B1658506E00A	SHAFT HOLDER				1
28	MC185801000	NEEDLE, SCHMETZ, 558 NM100	FOR MEB-3200SS,RS,TS,TA		☆	1
29	MC185801100	NEEDLE, SCHMETZ 558 NM110	FOR MEB-3200JS(USE IN JAPAN), MEB-3200JA(USE IN JAPAN),CS,CA		☆	1
30	SM6030602TP	SCREW M3X0.5 L=6				2
31	SM6031202TP	SCREW M3X0.5 L=12				2
32	SM6041402TP	SCREW M4 L=14				1
33	SM6041802TP	SCREW M4 L=18				3
34	SM8430550TP	SCREW M3X0.35 L=4.5				1
35	SM8040612TP	SCREW M4 L=6				2
36	SM8050502TP	SCREW M5 L=5				2
37	SS6110610TP	SCREW 11/64-40 L=6				2
38	32043424	THROAT PLATE JA	FOR MEB-3200JS(EXPORT), MEB-3200JA(EXPORT)			1
39	32043523	THROAT PLATE JE	FOR MEB-3200CS,CA			1
40	MC185801200	NEEDLE SCHMETZ,558 NM120	FOR MEB-3200JS(EXPORT), MEB- -3200JA(EXPORT), MEB-3200JS(CHINA)		☆	1
41	32043713	THROAT PLATE TE	FOR MEB-3200TS,TA			1
42	32051708	THREAD GUIDE	EXCEPT MEB-3200SS(CHINA), JS(- CHINA),CS(CHINA),JS(JE)		☆	1
43	40023465	THREAD GUIDE	FOR MEB-3200SS(CHINA),JS(CHINA), CS(CHINA),JS(JE)		☆	1
44	B2313180000	TENSION DISC	FOR MEB-3200SS(CHINA),JS(CHINA), CS(CHINA),JS(JE)		☆	1
45	14045900	TENSION SPRING	FOR MEB-3200SS(CHINA),JS(CHINA), CS(CHINA),JS(JE)		☆	1



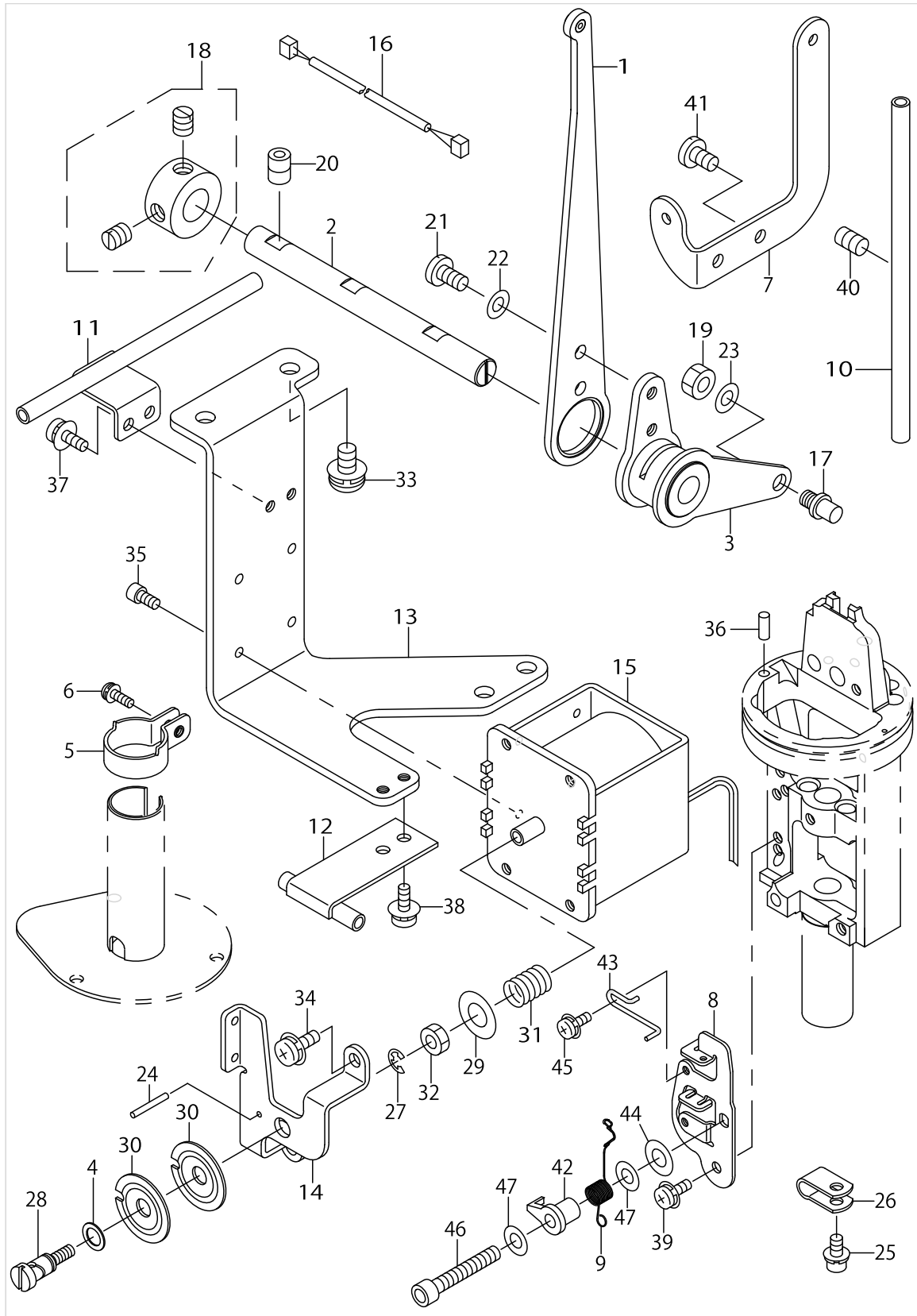
NEEDLE BAR COMPONENTS



NEEDLE BAR COMPONENTS

No.	Parts No.	Parts name	Remarks	Level	Cons	Qty
46	14045801	SCREW	FOR MEB-3200SS(CHINA),JS(CHINA), CS(CHINA),JS(JE)		☆	1
47	40029122	THROAT PLATE JA C	FOR MEB-3200JS(CHINA)			1
48	40029123	THROAT PLATE JE C	FOR MEB-3200CS(CHINA)			1

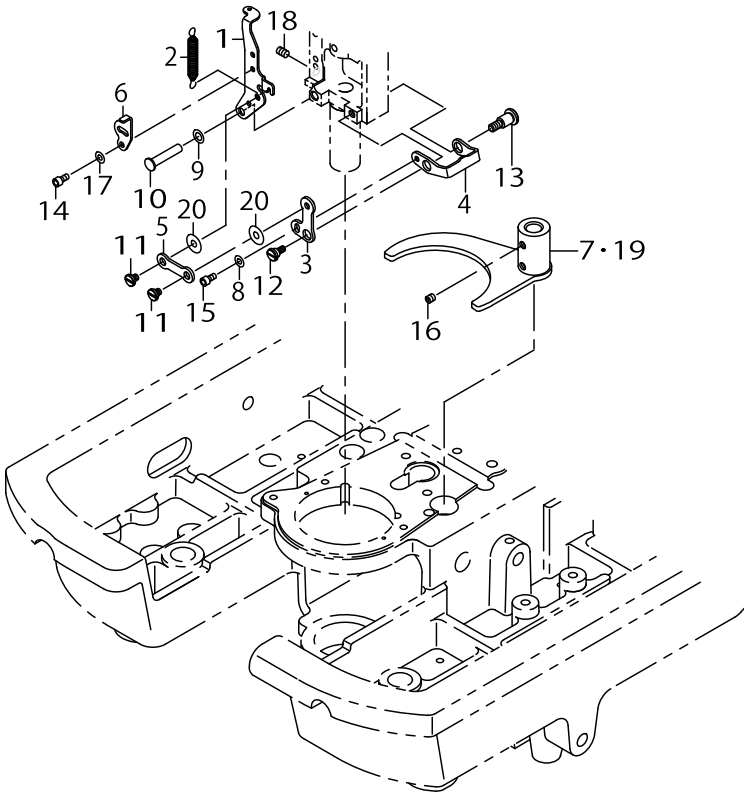
THREAD TAKE-UP LEVER & THREAD GUIDE COMPONENTS



THREAD TAKE-UP LEVER & THREAD GUIDE COMPONENTS

No.	Parts No.	Parts name	Remarks	Level	Cons	Qty
1	32050551	THREAD TAKE-UP LEVER COMPLE.				1
2	32051005	FULCRUM SHAFT				1
3	32050957	FULCRUM BOSS COMPLE.				1
4	32053506	THREAD TENSIONS RUBBER SEAT				1
5	40020483	THREAD GUIDE	FOR MEB-3200JS(CHINA), CS(CHINA)			1
6	SL4031081SC	SCREW M3 X 10	FOR MEB-3200JS(CHINA), CS(CHINA)			1
7	32052201	LOWER THREAD GUIDE				1
8	32052300	LOWER THREAD TENSION BRACKET				1
9	32052409	THREAD TAKE-UP SPRING			☆	1
10	32052508	LOWER THREAD PIPE, A				1
11	32052656	LOWER THREAD PIPE, B COMPLE.				1
12	32052854	LOWER THREAD PIPE, C COMPLE.				1
13	32053001	AT FITTING PLATE				1
14	40020391	AT THREAD TENSION BRACKET				1
15	32053209	AT (LOWER)				1
16	32053357	AT RELAY CORD ASM.				1
17	14044200	CAM ROLLER SHAFT				1
18	CS100081CSP	THRUST COLLAR ASM.				1
19	NM6060003SC	NUT M6				1
20	SM8060812TP	SCREW M6 L=8				2
21	SS7110840SP	SCREW 11/64-40 L=7.8				2
22	WP0450000SD	WASHER 4.5X8X0.5				2
23	WP0641600SC	WASHEW 6.4X12.5X1.6				1
24	PS0200162KH	SPRING PIN				1
25	SL6040892TN	BOLT				1
26	HX00150000A	CABLE CLAMP				1
27	RE0400000K0	E-RING 4				1
28	32053407	AT(LOWER) THREAD TENSION SHAFT				1
29	B1618804000	WASHER				1
30	40020389	THREAD TENSION DISK				2
31	16203507	MAGNET SPRING				1
32	NM6040000SN	NUT M4				1
33	SL4061291SE	SCREW				4
34	SL6040892TN	BOLT				2
35	SM6030602TP	SCREW M3X0.5 L=6				4
36	14045504	THREAD GUIDE PIPE				1
37	SL6040892TN	BOLT				2
38	SL6040892TN	BOLT				2
39	SL6041092TN	SCREW				1
40	SM8050812TP	SCREW M5X8				1
41	SS7110710SP	SCREW 11/64-40 L=7				2
42	14045306	ADJUST PIN				1
43	40023464	SPRING STOPPER				1
44	B1513210000	CLOTH PRESSER MAGNET SPACER				1
45	SL4030631SC	SCREW M3X6				1
46	SM6042502TN	SCREW M4X0.7 L=25				1
47	WP0450846SP	WASHER				2

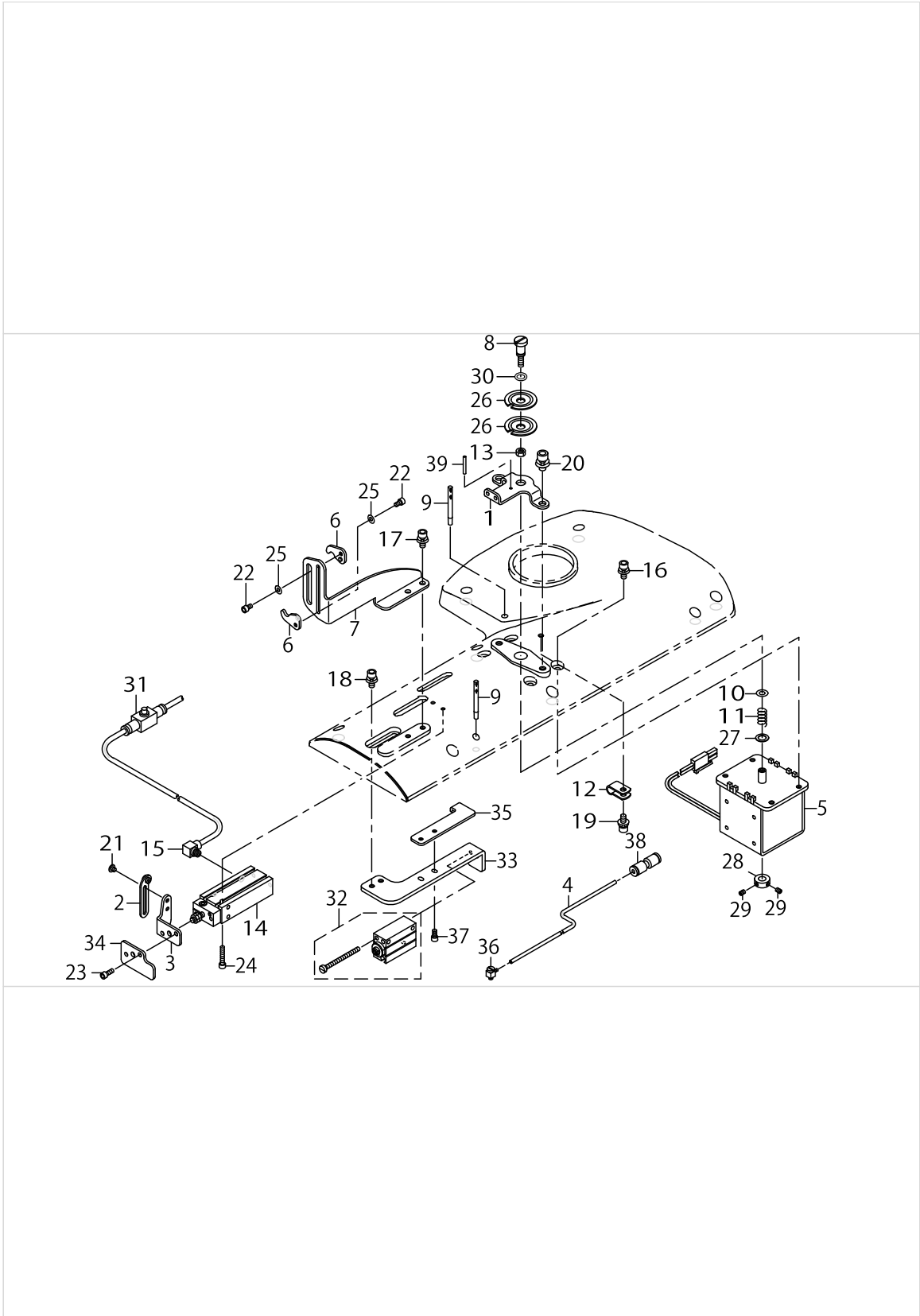
LOWER THREAD HAUL COMPONENTS



LOWER THREAD HAUL COMPONENTS

No.	Parts No.	Parts name	Remarks	Level	Cons	Qty
1	40023426	LOWER THREAD HAUL PLATE				1
2	32015109	SPRING				1
3	32015208	LOWER THREAD HAUL LINK, A	EXCEPT MEB-3200JS,CS,JA,CA			1
4	32015307	LOWER THREAD HAUL LINK, B	EXCEPT MEB-3200JS,CS,JA,CA			1
5	32015406	LOWER THREAD HAUL LINK, C	EXCEPT MEB-3200JS,CS,JA,CA			1
6	32015505	ADJUSTING PLATE	FOR MEB-3200JS,CS,JA,CA			1
7	32015653	DRIVING ARM ASM.	EXCEPT MEB-3200JS,CS,TS,JA, CA,TA			1
8	WP0320501SC	WASHER M3	EXCEPT MEB-3200JS,CS,JA,CA			1
9	WP0480856SP	WASHER 4.8X8.4X0.8				1
10	B1503771000	CONNECTING PIN				1
11	SD0460182SP	HINGE SCREW D=4.6 H=1.8	EXCEPT MEB-3200JS,CS,JA,CA			2
12	SD0640326TP	HINGE SCREW	EXCEPT MEB-3200JS,CS,JA,CA			1
13	SD0640801TP	HINGE SCREW D=6.35 H=8.0	EXCEPT MEB-3200JS,CS,JA,CA			1
14	SM6030602TP	SCREW M3X0.5 L=6	FOR MEB-3200JS,CS,JA,CA			2
15	SM6030602TP	SCREW M3X0.5 L=6	EXCEPT MEB-3200JS,CS,JA,CA			1
16	SS8110422TP	SCREW 11/64-40 L=4	EXCEPT MEB-3200JS,CS,JA,CA			2
17	WP0320501SC	WASHER M3	FOR MEB-3200JS,CS,JA,CA			2
18	SM8040612TP	SCREW M4 L=6				1
19	32015802	DRIVING ARM ASM.T	FOR MEB-3200TS,TA			1
20	B242328000C	MOVING KNIFE WASHER C	FOR MEB-3200SS,RS,TS,TA			2

UPPER THREAD HAUL COMPONENTS

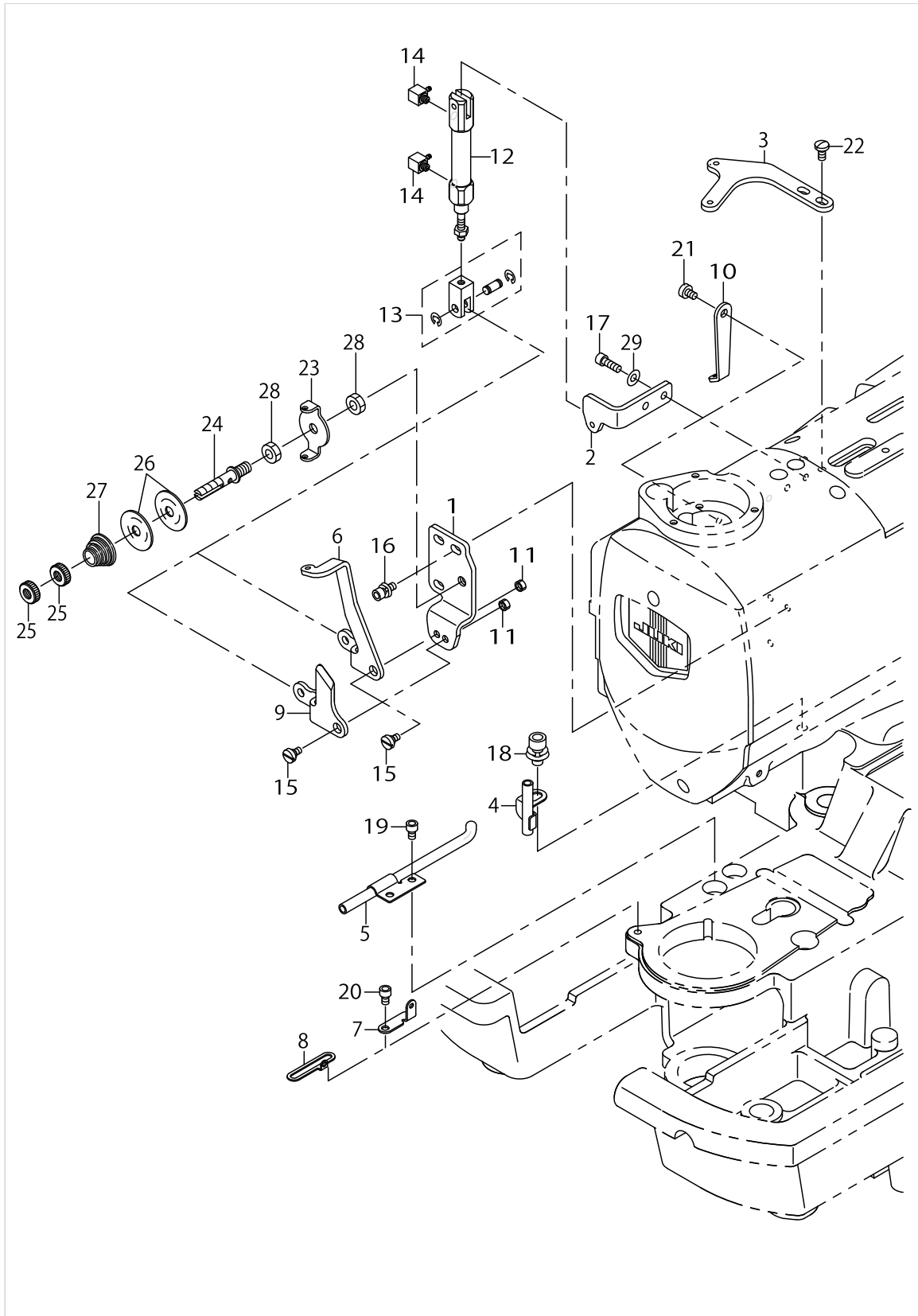


UPPER THREAD HAUL COMPONENTS

No.	Parts No.	Parts name	Remarks	Level	Cons	Qty
1	40020390	AT THREAD GUIDE				1
2	40011721	THREAD GUIDE ASM.				1
3	32054603	UPPER THREAD HAUL ARM				1
4	BT0320201EB	POLYURETHANE TUBE,BLACK 3.18X2				1.5
5	32054900	AT (UPPER)				1
6	32055105	BALANCE THREAD GUIDE				2
7	32055204	BALANCE THREAD GUIDE BASE				1
8	32055303	AT(UPPER) THREAD TENSION SHAFT				1
9	22502504	THREAD GUIDE BAR				2
10	WP0430801SC	WASHER 4.3X9X0.8				1
11	32055501	AT(UPPER) SPRING				1
12	HX00150000A	CABLE CLAMP				1
13	NM6040000SN	NUT M4				1
14	PA1001529A0	AIR CYLINDER				1
15	PJ046052503	HOSE ELBOW				1
16	SL6041092TN	SCREW				4
17	SL6041092TN	SCREW				2
18	SL6041092TN	SCREW				2
19	SL6041092TN	SCREW				1
20	SL6051092TN	BOLT				2
21	SM0030301SN	SCREW				1
22	SM6030502TN	SCREW M3 L=5				2
23	SM6030802TP	SCREW M3X0.5 L=8				2
24	SM6031602TP	SCREW				2
25	WP0320501SC	WASHER M3				2
26	40020389	THREAD TENSION DISK				2
27	26217604	WASHER				1
28	40010477	AT_SOL_COLLAR				1
29	SM8030412TP	SCREW				2
30	32053506	AT(LOWER) RUBBER SEAT				1
31	PC012401000	SPEED CONTROLLER				1
32	32055600	UPPER THREAD HAUL CYLINDER,B				1
33	32055709	CYLINDER,B FITTING PLATE				1
34	32055808	UPPER THREAD HAUL PLATE				1
35	32055907	UPPER THREAD HAUL GUIDE PLATE				1
36	PJ046039002	BARB ELBOW				1
37	SM6030602TP	SCREW M3X0.5 L=6				2
38	PJ303030001	JOINT (STRAIGHT)				1
39	PS0200162KH	SPRING PIN				1



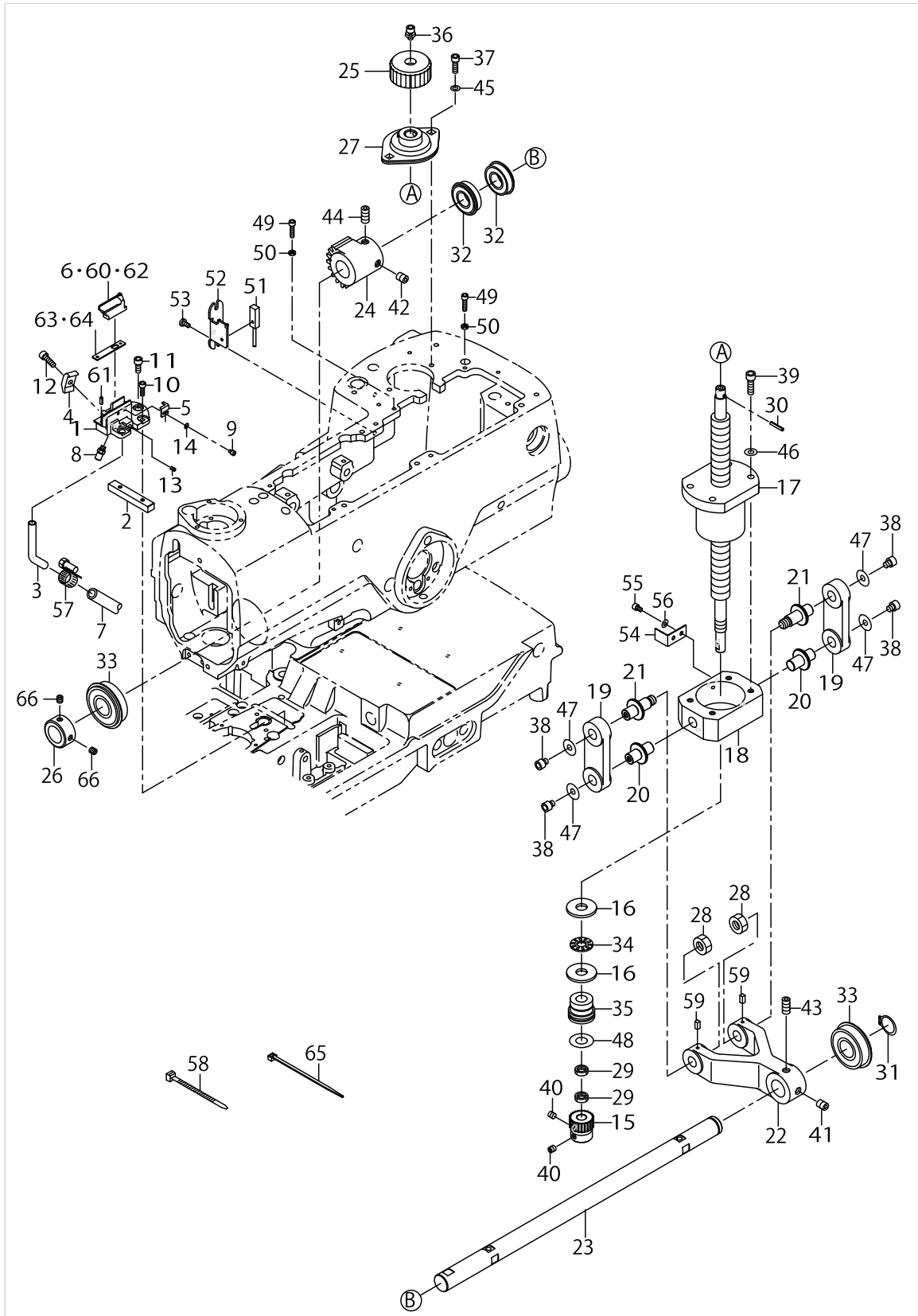
GIMP HAUL COMPONENTS



GIMP HAUL COMPONENTS

No.	Parts No.	Parts name	Remarks	Level	Cons	Qty
1	32057002	CYLINDER BRACKET	EXCEPT MEB-3200TS,TA			1
2	40016045	CYLINDER BRACKET	EXCEPT MEB-3200TS,TA			1
3	32057309	INTERMEDIATE THREAD GUIDE				1
4	32057457	PIPE, A COMPLE.	EXCEPT MEB-3200TS,TA			1
5	32057655	PIPE, B COMPLE.	EXCEPT MEB-3200TS,TA			1
6	32057101	HAUL ARM	EXCEPT MEB-3200JS,CS,TS,JA, CA,TA			1
7	32057804	THREAD GUIGE, S	EXCEPT MEB-3200JS,CS,TS,JA, CA,TA			1
8	32057903	THREAD GUIDE, J	FOR MEB-3200JS,CS,JA,CA			1
9	32058000	DISK RISING PLATE	FOR MEB-3200JS,CS,JA,CA			1
10	B1128850000	LOOPER THREAD GUIDE	EXCEPT MEB-3200TS,TA			1
11	NS6110310SP	NUT 11/64-40	EXCEPT MEB-3200TS,TA			1
12	PA1001501A0	AIR CYLINDER	EXCEPT MEB-3200TS,TA			1
13	PA900034000	JOINT	EXCEPT MEB-3200TS,TA			1
14	PJ046052501	ELBOW	EXCEPT MEB-3200TS,TA			2
15	SD0630275SP	HINGE SCREW D= 6.35 H= 2.7	EXCEPT MEB-3200TS,TA			1
16	SL6041092TN	SCREW	EXCEPT MEB-3200TS,TA			3
17	SM6041202TN	SCREW M4X0.7 L=12	EXCEPT MEB-3200TS,TA			2
18	SL6061292TN	SCREW	EXCEPT MEB-3200TS,TA			1
19	SM6040602TP	SCREW M4 L=6	EXCEPT MEB-3200TS,TA			2
20	SM6040602TP	SCREW M4 L=6	EXCEPT MEB-3200TS,TA			1
21	SS6110610TP	SCREW 11/64-40 L=6	EXCEPT MEB-3200TS,TA			1
22	SS7110840SP	SCREW 11/64-40 L=7.8	EXCEPT MEB-3200TS,TA			2
23	B3107352000	NEEDLE THREAD GUIDE	FOR MEB-3200JS,CS,JA,CA			1
24	B3108352000	NEEDLE THREAD TENSION POST	FOR MEB-3200JS,CS,JA,CA			1
25	22928808	NUT	FOR MEB-3200JS,CS,JA,CA			2
26	B3126012000	THREAD TENSION DISK	FOR MEB-3200JS,CS,JA,CA			2
27	B3129012A00	TENSION SPRING	FOR MEB-3200JS,CS,JA,CA			1
28	NS6150430SP	NUT 15/64-28	FOR MEB-3200JS,CS,JA,CA			2
29	WP0450801SP	WASHER	EXCEPT MEB-3200TS,TA			2

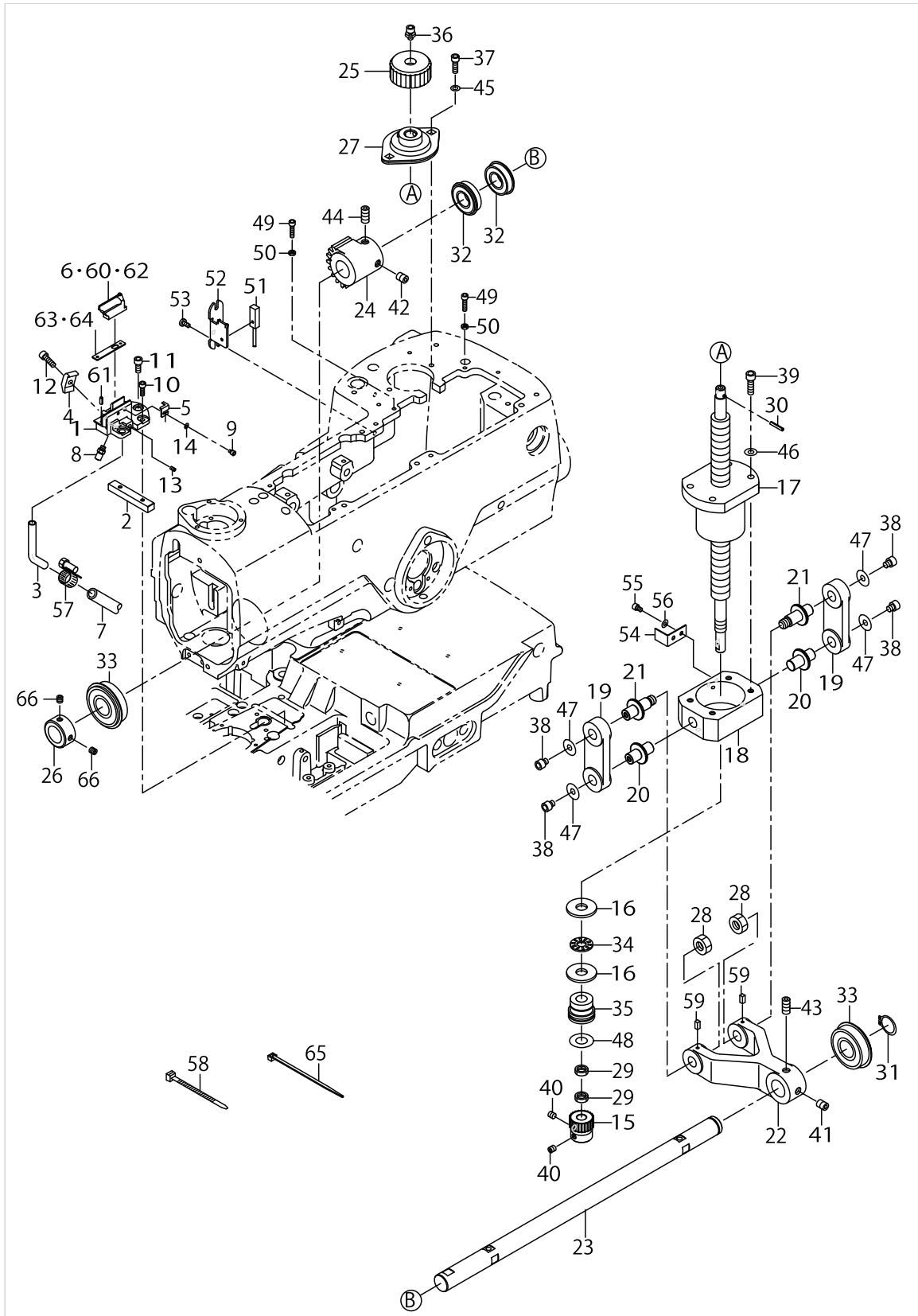
CLOTH CUTTING COMPONENTS (1)



CLOTH CUTTING COMPONENTS (1)

No.	Parts No.	Parts name	Remarks	Level	Cons	Qty
1	32061715	KNIFE BASE				1
2	32061806	KNIFE BASE KEY				1
3	32061913	DUST CHUTE,L				1
4	14040703	KNIFE FIX PLATE, LOWER				1
5	14040802	KNIFE STOPPER(UPPER, LOWER)				1
6	14041206	CUTTING KNIFE, EYELET	EXCEPT MEB-3200JS,CS,TS,JA, CA,TA		☆	1
7	BT1200801EF	TUBE				1.5
8	PJ032052503	HOSE NIPPLE				1
9	SM6030402TP	SCREW M3X0.5 L=4				1
10	SM6041202TP	SCREW M4X0.7 L=12				2
11	SM6051202TP	SCREW M5X0.8 L=12				3
12	SM6051602TP	SCREW M5X0.8 L=16				1
13	SM8030602TP	SCREW M3X0.5 L=6				1
14	WP0320500SD	M3 WASHER				1
15	32059701	BALL THREAD GEAR				1
16	32059800	WASHER (UPPER)				2
17	32059909	BALL THREAD				1
18	32060006	HOUSING				1
19	32060303	LINK				2
20	32060402	LINK SHAFT, B				2
21	32060501	LINK SHAFT, A				2
22	32060600	LEVER				1
23	32060709	DRIVING SHAFT				1
24	32060808	DIRECT DRIVE GEAR				1
25	40059365	CLOTH_CUTTING_DIAL				1
26	G5103162000	FEED BLOCK STOPPER				1
27	G5705880000	SHAFT HOLDER UNIT A				1
28	NM6100001SC	NUT M10X1.5				2
29	NM6610515SC	NUT				2
30	PS0300182KH	SPRING PIN 3.3X18				1
31	RC1850001KP	SNAP RING 18.5				1
32	SB120000200	BEARING 20X42				2
33	SB120000900	BEARING				2
34	SB612000100	BEARING				1
35	SB812000300	BEARING				1
36	SL6051092TN	BOLT				1
37	SM6051602TP	SCREW M5X0.8 L=16				2
38	SM6060802TP	SCREW M6 L=8				4
39	SM6062002TP	SCREW M6 L=20				4
40	SM8060602TP	SCREW M6X6				2
41	SS8701042TP	SCREW 5/16-24 L=10.0				1
42	SS8701042TP	SCREW 5/16-24 L=10.0				1
43	SS8701782TP	SCREW 5/16-24 L=17.0				1
44	SS8701782TP	SCREW 5/16-24 L=17.0				1
45	WP0531000SD	WASHER M5				2
46	WP0621016SH	WASHER				4
47	WP0642016SD	WASHER 6.4X18.5X2				4

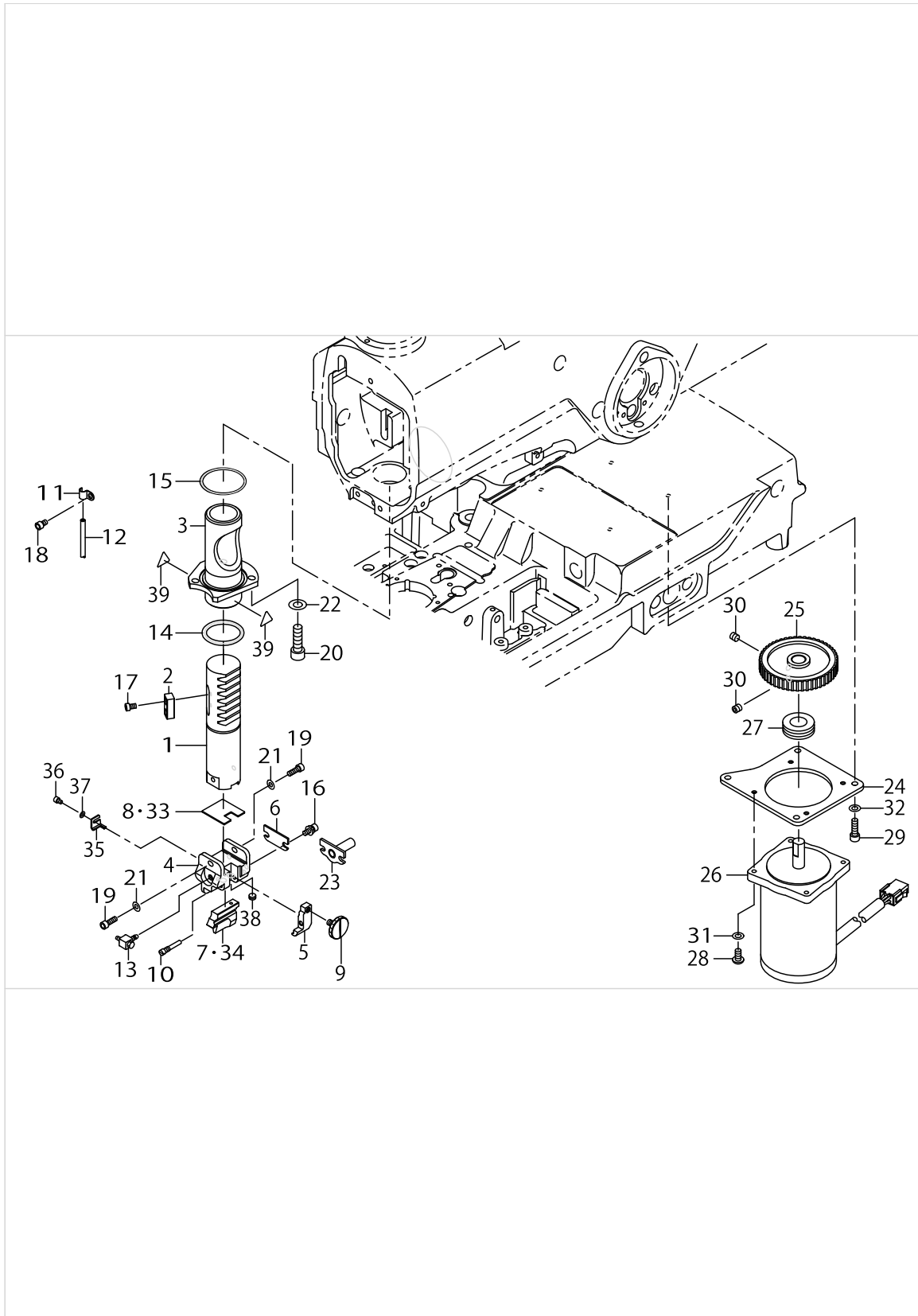
CLOTH CUTTING COMPONENTS (1)



CLOTH CUTTING COMPONENTS (1)

No.	Parts No.	Parts name	Remarks	Level	Cons	Qty
48	WP1252210SC	WASHER 12.5X25.6X2.2				1
49	SM6041602TP	SCREW M4X0.7 L=16				2
50	NM6040003SC	NUT M4				2
51	32077356	HOME POSITION SENSOR ASM.				1
52	32077406	SENSOR BERCKET				1
53	SS7110840SP	SCREW 11/64-40 L=7.8				2
54	32077505	SENSOR SLIT				1
55	SM6040602TP	SCREW M4 L=6				2
56	WP0430801SC	WASHER 4.3X9X0.8				2
57	16121907	HOSE BAND				1
58	HX00065000A	CABLE CLIP				1
59	32075301	CLOTH KNIFE LEVER FELT				2
60	32063604	CUTTING KNIFE (EYELET), S	FOR MEB-3200CS,TS,CA,TA		☆	1
61	PS0200052KH	SPRING PIN 2.3X5				2
62	32063703	CUTTING KNIFE (EYELET), M	FOR MEB-3200JS,JA		☆	1
63	32068702	CUTTING PLATE A	EXCEPT MEB-3200JS,CS,TS,JA, CA,TA			1
64	32068801	CUTTING PLATE B	FOR MEB-3200JS,CS,TS,JA, CA,TA			1
65	EA9500B0200	CABLE BAND 150				1
66	SM8060602TP	SCREW M6X6				2

CLOTH CUTTING COMPONENTS (2)

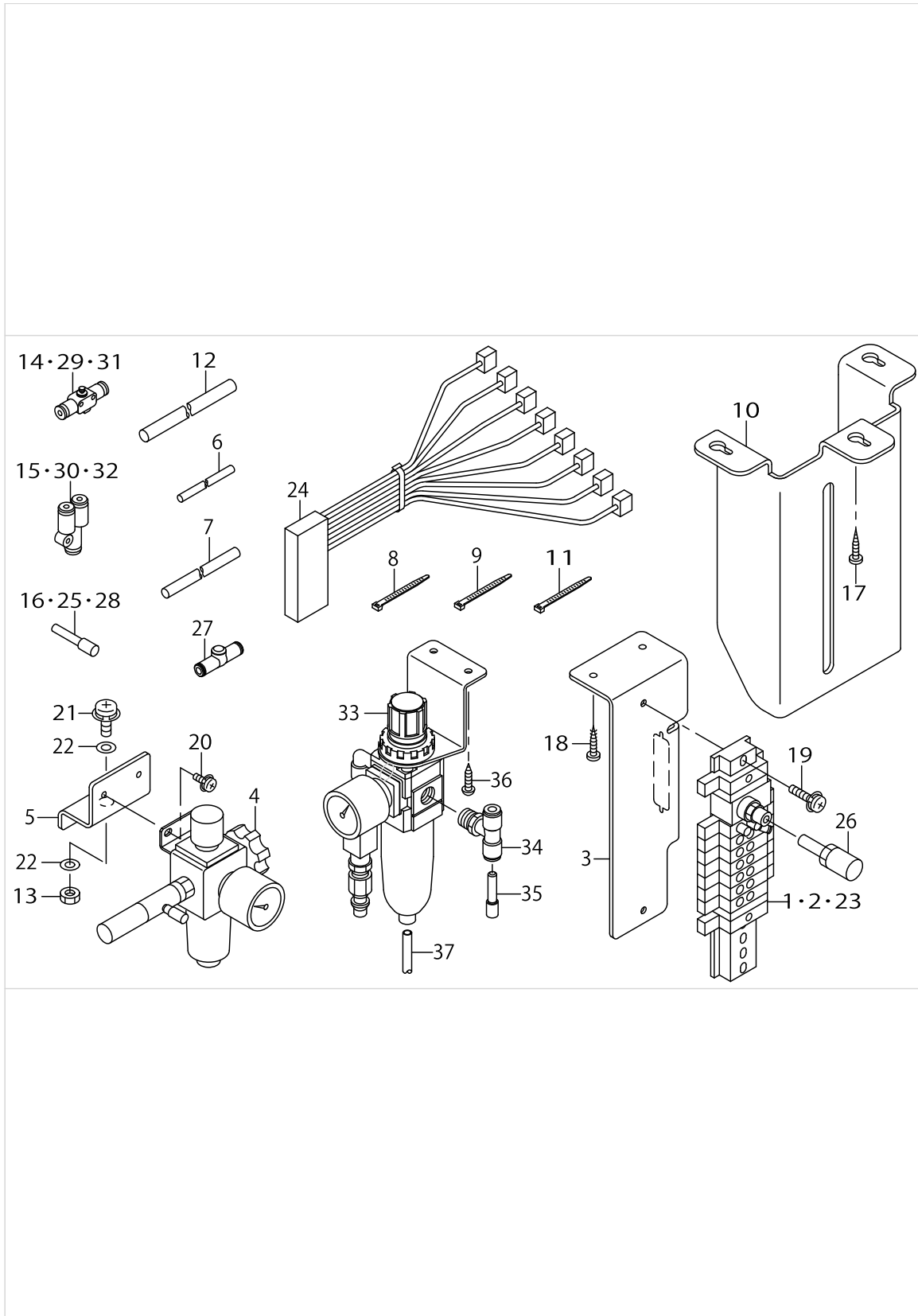


CLOTH CUTTING COMPONENTS (2)

No.	Parts No.	Parts name	Remarks	Level	Cons	Qty
1	32060907	DIRECT DRIVE SHAFT				1
2	32061004	DIRECT DRIVE KEY				1
3	32061103	DIRECT DRIVE METAL				1
4	32061210	CUTTING KNIFE FITTING BASE				1
5	32061319	KNIFE FIXING PLATE				1
6	32061400	DUST CHUTE COVER				1
7	32068009	KNIFE HOLDER,22MM (EYELET) H	EXCEPT MEB-3200CS,TS,CA,TA		☆	1
8	32065500	SPACER, A	SELECTIVE PARTS			1
9	32068900	KNIFE FIXING SCREW				1
10	14039507	SCREW				1
11	B3538112000	OIL RETURN TUBE HOLDER				1
12	BT0400251EB	URETHANE HOSE, BLACK				3
13	PJ046052501	ELBOW				1
14	RO297350100	O-RING				1
15	RO455200200	O-RING				1
16	SL6041092TN	SCREW				2
17	SM6030802TN	BOLT				2
18	SM6040602TP	SCREW M4 L=6				1
19	SM6041202TN	SCREW M4X0.7 L=12				2
20	SM6062002TN	SCREW M6 L=20				3
21	WP0430801SC	WASHER 4.3X9X0.8				2
22	WP0641601SC	WASHER				3
23	32061558	DUST CHUTE ASM.	OPTIONAL PARTS			1
24	32059503	MOTOR FITTING BASE				1
25	32059602	MOTOR GEAR				1
26	KM000000300	PULSE MOTOR				1
27	SB412000100	BEARING				1
28	SM4051055SP	SCREW				4
29	SM6051602TP	SCREW M5X0.8 L=16				4
30	SM8060602TP	SCREW M6 L=6				2
31	WP0531000SD	WASHER M5				4
32	WP0531000SD	WASHER M5				4
33	32066805	CLOTH CUTTING SPACER	SELECTIVE PARTS			1
34	32068207	KNIFE HOLDER,18MM (EYELET) H	FOR MEB-3200CS,TS,CA,TA		☆	1
35	14040802	KNIFE STOPPER(UPPER, LOWER)				1
36	SM6030402TP	SCREW M3X0.5 L=4				1
37	WP0320500SD	M3 WASHER				1
38	SS8660330SP	SCREW 1/4-40 L=3.0	EXCEPT MEB-3200SS,RS			2
39	CM300200001	ATTENTION SEAL				2



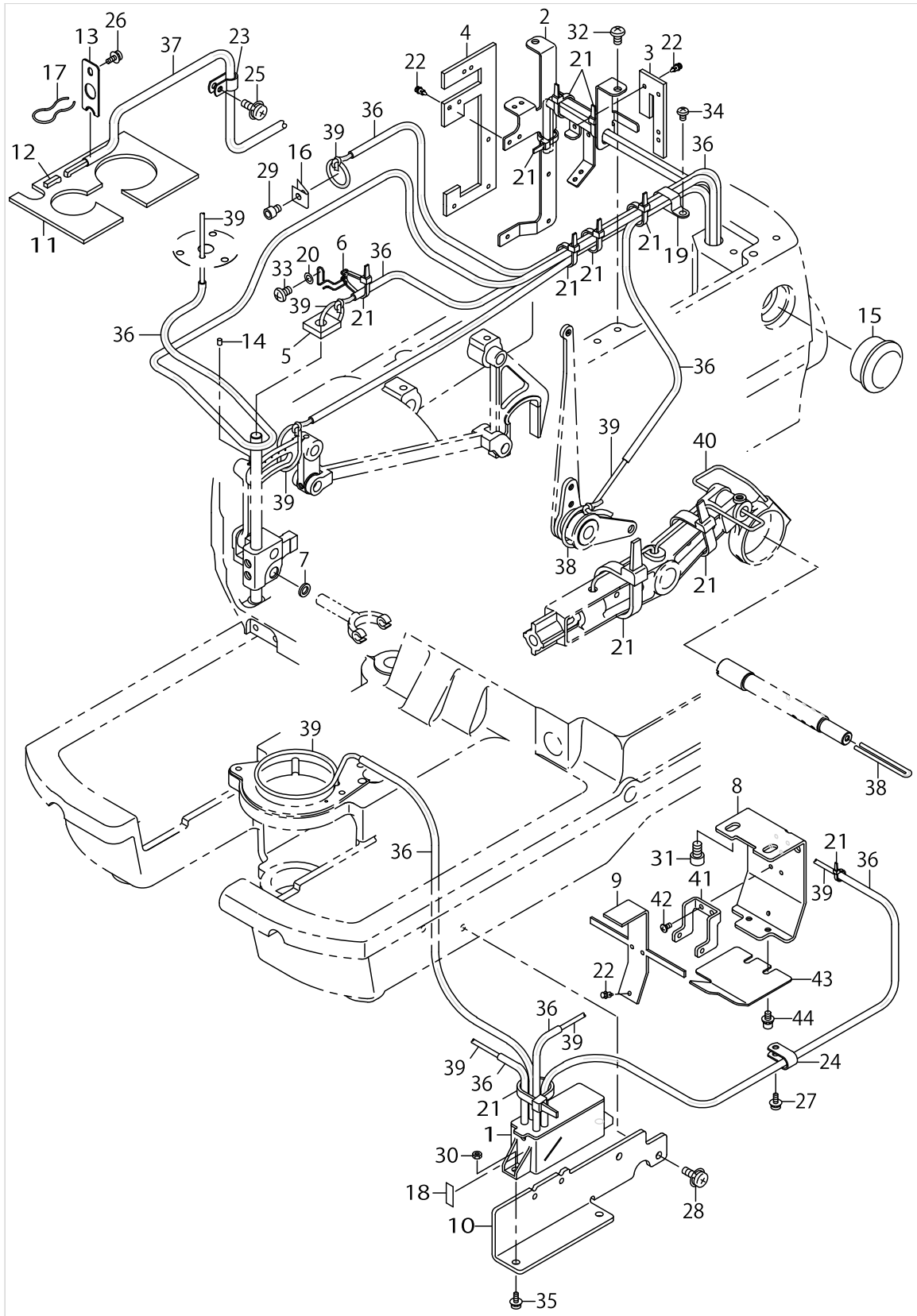
AIR COMPONENTS



AIR COMPONENTS

No.	Parts No.	Parts name	Remarks	Level	Cons	Qty
1	32072118	SOLENOID VALVE, 7	FOR MEB-3200SS,RS			1
2	32072217	SOLENOID VALVE, 6	FOR MEB-3200JS,CS,JA,CA			1
3	32072001	SOLENOID VALVE FITTING BASE				1
4	B47152150A0	FILTER REGULATOR ASM.	EXCEPT CHINA			1
5	40023662	FILTER INSTALLING PLATE	EXCEPT CHINA			1
6	BT0400251EB	URETHANE HOSE, BLACK				19.6
7	BT0600401EB	TUBE				1.7
8	EA9500B0100	CABLE BAND				2
9	EA9500B0100	CABLE BAND				2
10	32072308	SOLENOID COVER				1
11	HX002330000	CLIP				12
12	HX00364000E	PARTS				1
13	NM6080721SE	NUT M8	EXCEPT CHINA			1
14	PC012401000	SPEED CONTROLLER	FOR MEB-3200JS,CS,JA,CA			4
15	PJ308040002	QUICK COUPLING	FOR MEB-3200JS,CS,JA,CA			5
16	PX500014000	PLUG	FOR MEB-3200SS,RS			4
17	SK3452001SE	WOOD SCREW D=4.5 L=20				3
18	SK3452001SE	WOOD SCREW D=4.5 L=20				2
19	SL4051091SC	SCREW M5X0.8 L=10				2
20	SL4051091SC	SCREW M5X0.8 L=10	EXCEPT CHINA			2
21	SL9082093SE	SCREW	EXCEPT CHINA			1
22	WP0871602SE	WASHER 8.7X18X1.6	EXCEPT CHINA			2
23	32072407	SOLENOID VALVE, 5	FOR MEB-3200TS,TA			1
24	M90156200A0A	SOLENOID VALVE CABLE ASM.				1
25	PX500014000	PLUG	FOR MEB-3200JS,CS,JA,CA			2
26	PX050003000	SILENCER				1
27	PV010015000	VALVE				2
28	PX500014000	PLUG	FOR MEB-3200TS,TA			3
29	PC012401000	SPEED CONTROLLER	FOR MEB-3200SS,RS			5
30	PJ308040002	QUICK COUPLING	FOR MEB-3200SS,RS			4
31	PC012401000	SPEED CONTROLLER	FOR MEB-3200TS,TA			3
32	PJ308040002	QUICK COUPLING	FOR MEB-3200TS,TA			4
33	40091928	FILTER REGULATOR ASM.	FOR CHINA			1
34	PJ305065204	DOUBLE-ENDED T UNION	FOR CHINA			1
35	PX950001000	PLUG	FOR CHINA			1
36	SK3452001SE	WOOD SCREW D=4.5 L=20	FOR CHINA			2
37	BT0600401EB	TUBE	FOR CHINA			1

# LUBRICATION MECHANISM COMPONENTS



LUBRICATION MECHANISM COMPONENTS

No.	Parts No.	Parts name	Remarks	Level	Cons	Qty
1	32074759	BED OIL TANK ASM.				1
2	32073504	ARM LUBRICATION PLATE				1
3	32073603	ARM LUBRICATION FELT, A				1
4	32073702	ARM LUBRICATION FELT, B				1
5	32073801	LUBRICATION FELT				1
6	32073900	FELT HOLDER				1
7	32074106	FELT				1
8	40099934	CAM LUBRICATION PLATE				1
9	40099937	OIL FELT				1
10	32074908	BED OIL TANK FIXING BASE				1
11	32075400	ARM FELT				1
12	32075509	OIL RETURN FELT				1
13	32075608	OIL RETURN PIPE HOLDER				1
14	B1821210D00	SHUTTLE OIL FELT,B				1
15	B3501210000	OIL GAUGE				1
16	B3518280000	BALANCE LUBRICATING				1
17	B3529226000	OIL FELT PRESSER				1
18	B1140761000	OILING LABEL				1
19	D2112555B00	CORD HOLDER, LARGE				1
20	WP0480856SP	WASHER 4.8X8.4X0.8				1
21	EA9500B0100	CABLE BAND				9
22	HX00094000A	NYLON RIVET				15
23	HX00150000C	CABLE CLIP				1
24	HX00150000C	CABLE CLIP				1
25	SL6040892TN	BOLT				1
26	SL6040892TN	BOLT				1
27	SL6041092TN	SCREW				1
28	SL6051092TN	BOLT				2
29	SM6040502TP	SCREW M4X0.7 L=5				1
30	NM6050001SP	NUT M5				2
31	SM6061002TP	SCREW M6 L=10				2
32	SS4110715SP	SCREW 11/64-40 L=7				2
33	SS4110715SP	SCREW 11/64-40 L=7				1
34	SS4120615SP	SCREW 3/16-28 L=6				1
35	SL4051291SC	SCREW M5X0.8 L=12				2
36	BP300000100	VINYL TUBE				4.3
37	BP500000000	VINYL PIPE				0.5
38	CQ200000000	OIL WICK				3.5
39	CQ252200000	OIL WICK				4.6
40	CQ202000000	OIL WICK				0.3
41	40099935	FELT HOLDER PLATE				1
42	SM0030601SC	SCREW M3X0.5 L=6				2
43	40099936	LOOPER CAM COVER				1
44	SL6040892TN	SCREW M4 L=8				2

TABLE COMPONENTS

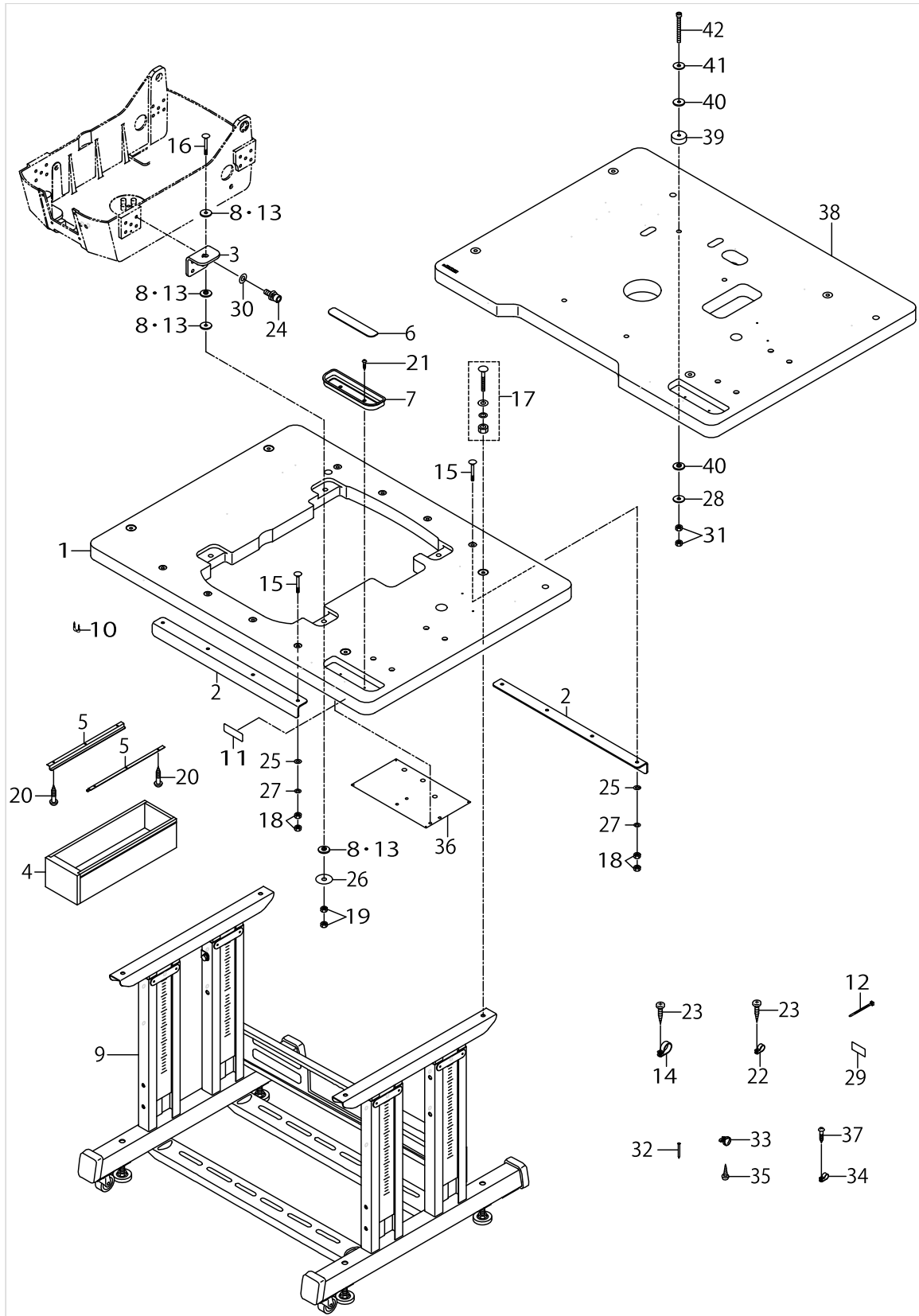
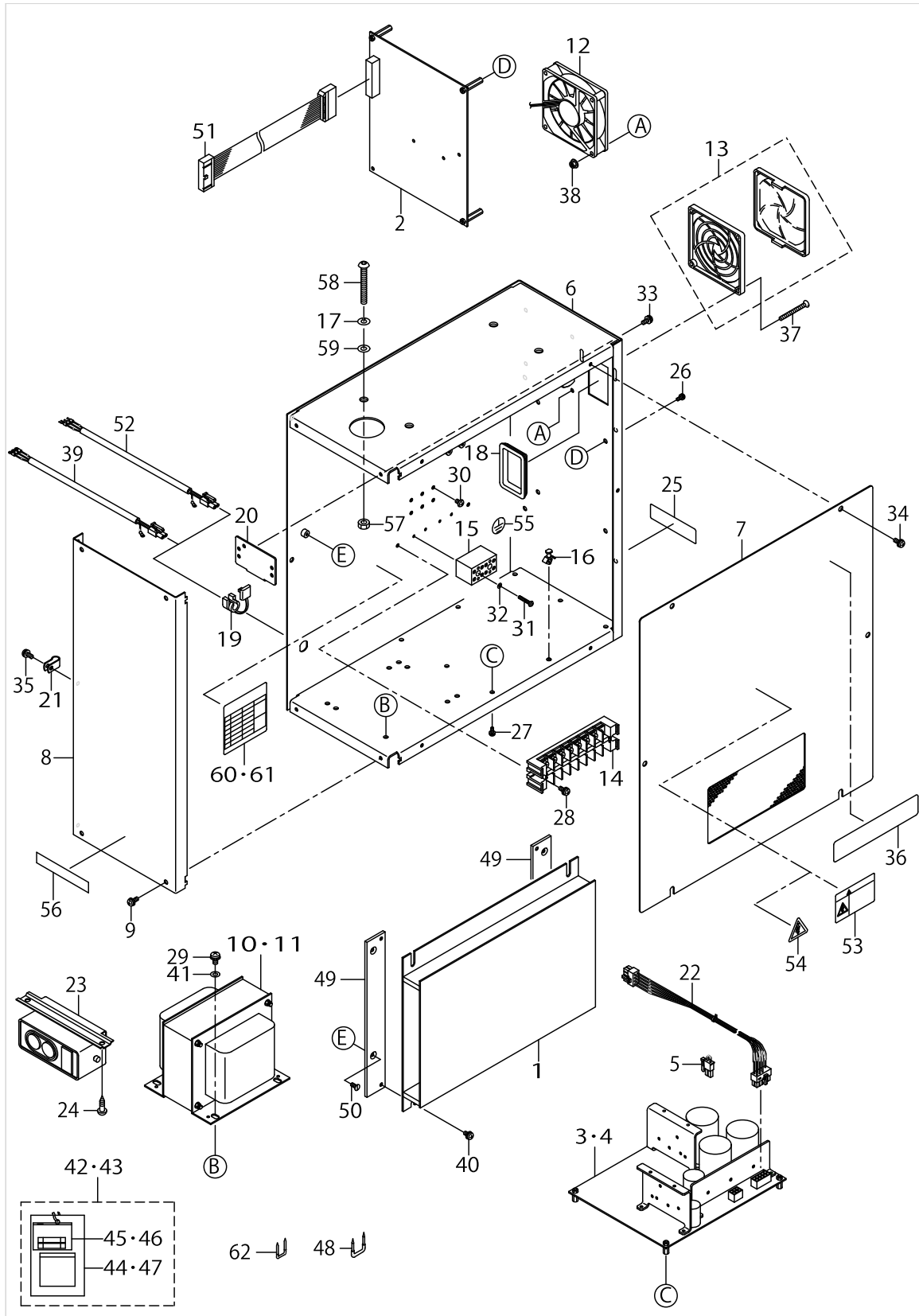


TABLE COMPONENTS

No.	Parts No.	Parts name	Remarks	Level	Cons	Qty
1	40158930	SEMI-SUNKEN TABLE ASM	EXCEPT MEB-3200JA,CA,TA			1
2	32080707	TABLE REINFORCEMENT PLATE				2
3	32080806	BOTTOM COVER STAY				4
4	11155108	DRAWER				1
5	11155207	DRAWER SUPPORT				2
6	11155801	CASE MAGNET				1
7	11156007	CASE				1
8	14003701	BOLT CUSHION A	EXCEPT MEB-3200JA,CA,TA			16
9	B8101221DA0	STAND ASM.				1
10	D8204555D00	DRAWER STOPPER				1
11	40094560	CE MARKING LABEL (EU)	FOR JE			1
12	HX00065000A	CABLE CLIP				3
13	14003701	BOLT CUSHION A	FOR MEB-3200JA,CA,TA			14
14	HX00150000N	CABLE CLIP				2
15	MAO11108N00	PEDAL SWITCH FRAME BOLT	EXCEPT MEB-3200JA,CA,TA			8
16	MAO11108N00	PEDAL SWITCH FRAME BOLT				4
17	MTJMS00000S	SCREW SET				4
18	NM6060001SC	NUT M6	EXCEPT MEB-3200JA,CA,TA			16
19	NM6060001SC	NUT M6				8
20	SK3311601SE	WOOD SCREW D=3.1 L=16				6
21	SK3382001SE	SCREW D=3.8 L=20				2
22	HX00150000H	CABLE CLIP				2
23	SK3382001SE	SCREW D=3.8 L=20				4
24	SM6082502TN	BOLT				20
25	WP0641601SC	WASHER	EXCEPT MEB-3200JA,CA,TA			8
26	WP0852086SC	WASHER M8				4
27	WS0610002KN	SPRING WASHER 6.1X12.2X1.5	EXCEPT MEB-3200JA,CA,TA			8
28	WP0852086SC	WASHER M8	FOR MEB-3200JA,CA,TA			4
29	16870206	GRAVITY SEAL				1
30	WP0850002SP	WASHER 8.5X18X1.6				20
31	NM6060001SC	NUT M6	FOR MEB-3200JA,CA,TA			8
32	B8210012000	CUSHION SET NAIL	FOR JE			3
33	HX001350000	CABLE CLAMP				1
34	HX00150000F	CABLE CLIP				1
35	SK1272001SE	WOOD SCREW D=2.7 L=20				1
36	32080905	EARTH PLATE				1
37	SK3412001SE	WOOD SCREW D=4.1 L=20				1
38	40158931	TABLE A ASM	FOR MEB-3200JA,CA,TA			1
39	14003800	BOLT CUSHION B	FOR MEB-3200JA,CA,TA			4
40	14003701	BOLT CUSHION A	FOR MEB-3200JA,CA,TA			4
41	WP0852086SC	WASHER M8	FOR MEB-3200JA,CA,TA			4
42	SM6088502TP	SCREW M8 L=85	FOR MEB-3200JA,CA,TA			4

TRANSMISSION COMPONENTS (1)



TRANSMISSION COMPONENTS (1)

No.	Parts No.	Parts name	Remarks	Level	Cons	Qty
1	M8601620AA0	MAIN CIRCUIT BOARD A ASM.				1
2	40042767	SDC_PCB_ASSY				1
3	40059718	PWR CIRCUIT BOARD AB ASM.	SELECTVE PARTS(100V,200V)			1
4	40059719	PWR CIRCUIT BOARD BB ASM.	SELECTVE PARTS(220V,380V)			1
5	M85236000A0	INPUT CHANGEOVER CORD ASM.	FOR USE IN JAPAN (1 $\phi$ ,100-V) SELECTVE PARTS(1 $\phi$ ,3 $\phi$ )			1
6	40098641	CONTROL BOX				1
7	40098646	CONTROL BOX COVER ASM				1
8	M1003590000	CONTROL BOX PANEL				1
9	SM0040601SC	SCREW M4X0.7 L=6				4
10	M8901620BA0	POWER TRANSFORMER B ASM.	SELECTVE PARTS(220V,380V)			1
11	M8901620AA0	POWER TRANSFORMER A ASM.	SELECTVE PARTS(100V,200V)			1
12	M85405900A0	FAN ASM.				1
13	HM000860010	FAN FILTER				1
14	HK026650080	TERMINAL BASE 8P	SELECTVE PARTS(100V,200V)			1
15	HK054250040	TERMINAL BASE	SELECTVE PARTS(220V,380V)			2
16	HX00147000C	SPACER				4
17	WS0610002KN	SPRING WASHER 6.1X12.2X1.5				4
18	HX004070000	BUSH				1
19	HX004100000	BUSH				1
20	17845009	CORD FITTING PLATE				1
21	HX00123000B	CABLE CLIP				1
22	M90076200A0	DC POWER CORD ASM.				1
23	HA004250000	SWITCH	FORTHREEPHASE(EXCEPTJE)			1
24	SK3512001SE	WOOD SCREW D=5.1 L=20				2
25	40051640	ELECTRICAL_RATING_LABEL_UNIVERSAL	FOR USE IN JAPAN (1 $\phi$ ,3 $\phi$ )			1
26	SL4030891SC	SCREW M3X8				4
27	SL4030891SC	SCREW M3X8				4
28	SL4041081SF	SCREW M4 L=10	SELECTVE PARTS(100V,200V)			2
29	SL4051091SC	SCREW M5X0.8 L=10				4
30	SL4040681SC	COMBINATION SCREW M4 X 8				5
31	SM4031851SR	SCREW	SELECTVE PARTS(220V,380V)			4
32	WS0310702KS	SPRING WASHER	SELECTVE PARTS(220V,380V)			4
33	SL4041091SC	SCREW M4 L=10				2
34	SL4041091SC	SCREW M4 L=10				6
35	SL4041091SC	SCREW M4 L=10				3
36	M3009510000	FAN CLEANING LABEL				1
37	SM1044050SM	SCREW M4X0.7 L=40				2
38	NM3040520SF	FLANGE NUT M4				2
39	M85216000A0	BOX POWER CORD ASM.	SELECTVE PARTS(100V,200V)			1
40	SL4041091SC	SCREW M4 L=10				4
41	WP0550836SC	WASHER 5.5X12X0.8				4
42	M8599600AA0	ACCESSORIE PART A ASM.	FOR USE IN JAPAN (1 $\phi$ ,3 $\phi$ )			1
43	M85046200A0	ACCESSORIE PART ASM.	FOR EXPORT(1 $\phi$ ,3 $\phi$ )			1
44	M300451100A	VOLTAGE INDICATION CARD.A	FOR THREE PHASE (EXCEPT JE), FOR EXPORT(1 $\phi$ ,3 $\phi$ )	*		1
45	HF001301000	TIMING LAG FUSE 10A		*		1
46	HF0084063P0	TIMING LAG FUSE 6.3A		*		1

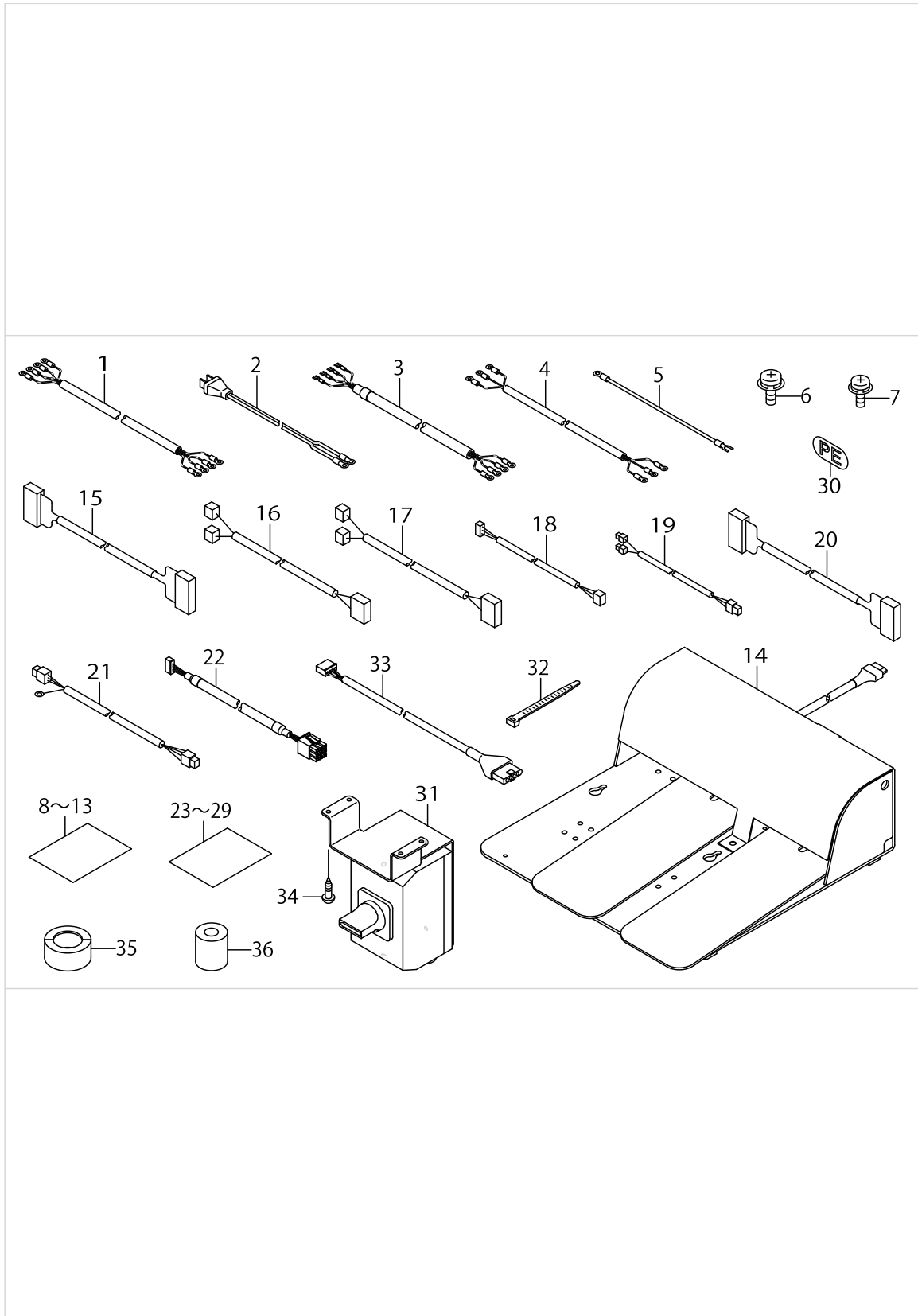




## TRANSMISSION COMPONENTS (1)

No.	Parts No.	Parts name	Remarks	Level	Cons	Qty
47	M3011620000	VOLTAGE INDICATION CARD,	FOR JE,EXPORT(1φ,3φ)	*		1
48	D8204555D00	DRAWER STOPPER				2
49	M1002620000	CIRCUIT BOARD FITTING PLATE				2
50	SM1040801SC	SCREW M4X0.7 L=8				4
51	M90226200A0	SDC·I/F CABLE ASM.				1
52	M90236200A0	BOX POWER CORD ASM.	SELECTVE PARTS(220V,380V)			1
53	CM300100101	DANGER LABEL (SMALL)	FOR USE IN JAPAN (1φ,3φ)			1
54	CM300100001	LABEL	FOR JE,EXPORT(1φ,3φ)			1
55	10004109	GROUND MARK				1
56	24003600	BRAND MARK				1
57	NM6060001SE	NUT M6				4
58	SM3065052TC	SCREW				4
59	WP0651001SC	WASHER				4
60	M300359000A	SEAL A	FOR USE IN JAPAN (1φ,3φ)			1
61	M3003620000	SEAL B	FOR JE,EXPORT(1φ,3φ)			1
62	MAO11532000	CORD STAPLE(SMALL)				1

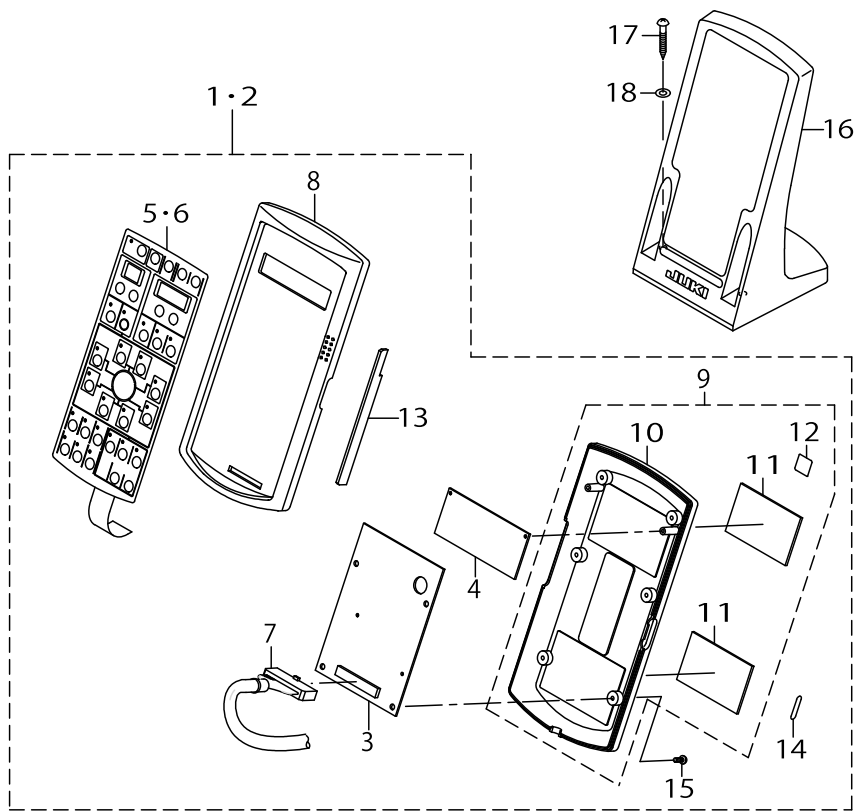
TRANSMISSION COMPONENTS (2)



TRANSMISSION COMPONENTS (2)

No.	Parts No.	Parts name	Remarks	Level	Cons	Qty
1	M90175800A0	POWER CABLE ASM.	FOR THREE PHASE (EXCEPT JE)			1
2	M90355800A0	POWER SOURCE CORD ASM.	FOR USE IN JAPAN (1 φ 100V)			1
3	M90285800A0	POWER CABLE ASM.	FOR JE			1
4	M90245800A0	POWER CABLE ASM.	FOR EXPORT (1 φ )			1
5	M90345800A0	GROUND CORD ASM.	FOR USE IN JAPAN (1 φ 100V)			1
6	SL4860891SC	SCREW M2.6X8				2
7	SL4040681SC	COMBINATION SCREW M4 X 8				1
8	BME01100000	VOLTAGE INDICATION SEAL	SELECTVE PARTS(1φ 100V)			1
9	BME01110000	VOLTAGE INDICATION SEAL	SELECTVE PARTS(100V,200V)			1
10	BME01120000	VOLTAGE INDICATION SEAL	SELECTVE PARTS(100V,200V)			1
11	BME03200000	VOLTAGE INDICATION SEAL	SELECTVE PARTS(3 φ 200V)			1
12	BME03220000	VOLTAGE INDICATION SEAL	SELECTVE PARTS(100V,200V)			1
13	BME03240000	VOLTAGE INDICATION SEAL				1
14	M85905130AA	PEDAL SWITCH ASM.	OPTIONAL PARTS			1
15	M90016200A0	RELAY CABLE ASM.				1
16	M90026200A0	RELAY CABLE ASM.				1
17	M90036200A0	RELAY CABLE ASM.				1
18	M90106200A0	SENSOR CABLE ASM.				1
19	M90116200A0	AT CABLE ASM.				1
20	M90136200A0	RELAY CABLE ASM.				1
21	M90046200A0	SERVO MOTOR CABLE ASM.				1
22	40050672	ENCODER_CABLE_ASSY				1
23	BME01220000	VOLTAGE INDICATION SEAL	SELECTVE PARTS(220V,380V)			1
24	BME01230000	VOLTAGE INDICATION SEAL	SELECTVE PARTS(220V,380V)			1
25	BME01240000	VOLTAGE INDICATION SEAL	SELECTVE PARTS(220V,380V)			1
26	BME03220000	VOLTAGE INDICATION SEAL	SELECTVE PARTS(220V,380V)			1
27	BME03240000	VOLTAGE INDICATION SEAL	SELECTVE PARTS(220V,380V)			1
28	BME03400000	VOLTAGE INDICATION SEAL	SELECTVE PARTS(220V,380V)			1
29	BME03415000	VOLTAGE INDICATION SEAL	SELECTVE PARTS(220V,380V)			1
30	CM200100001	PE MARK LABEL	FOR JE			1
31	M85125810A0	SWITCH	FOR JE			1
32	HX00065000A	CABLE CLIP				3
33	M90146200A0	PEDAL SWITCH CABLE ASM.	OPTIONAL PARTS			1
34	SK3512001SF	WOOD SCREW	FOR JE			4
35	HN002460000	CORES	FOR JE			3
36	HN001490000	CLAMP FILTER(L)	FOR JE			2

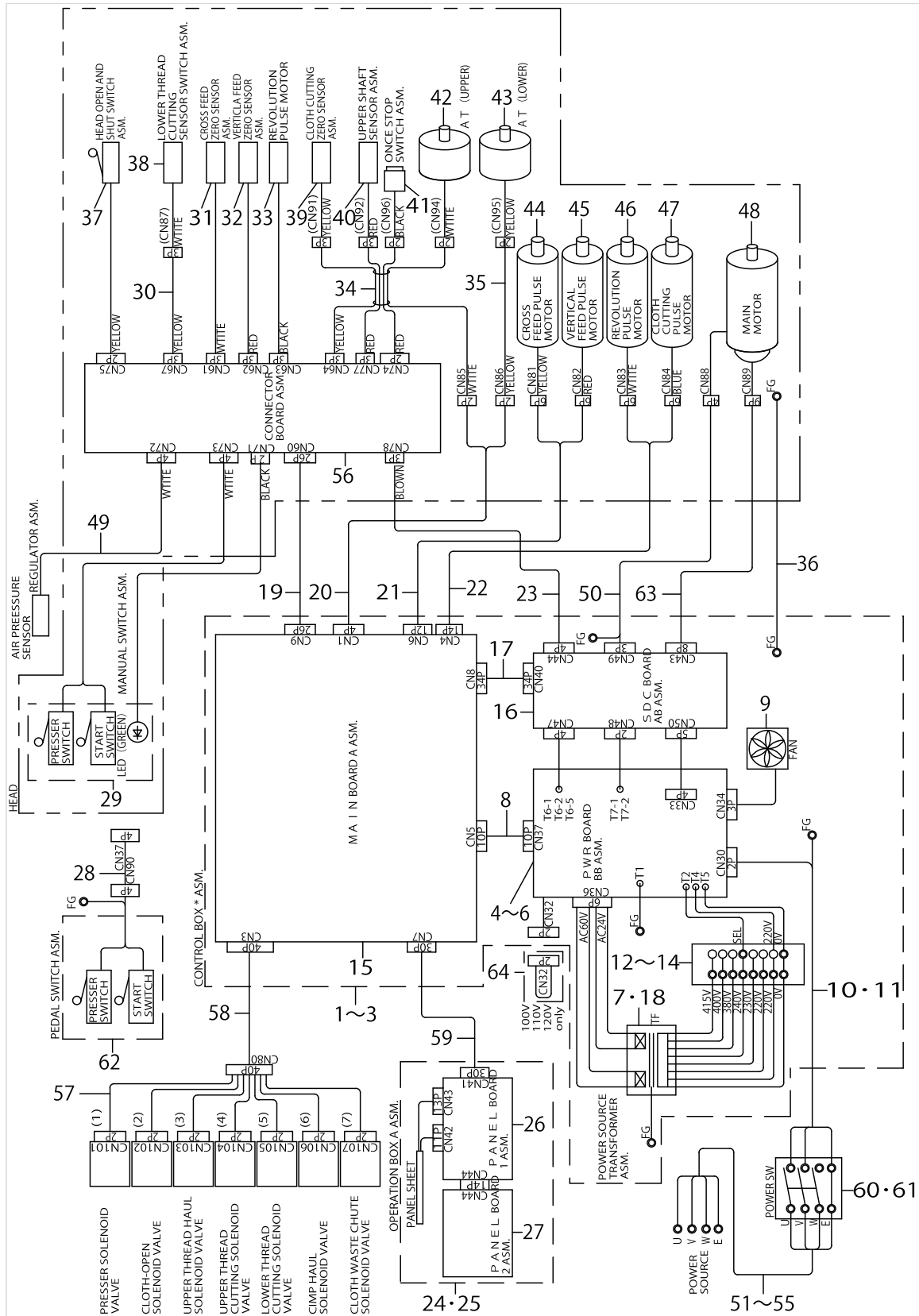
OPERATION BOX COMPONENTS



OPERATION BOX COMPONENTS

No.	Parts No.	Parts name	Remarks	Level	Cons	Qty
1	M8510620AA0	OPERATION BOX, A ASM.	FOR USE IN JAPAN			1
2	M8510620BA0	OPERATION BOX, B ASM.	FOR EXPORT			1
3	40164556	PANEL CIRCUIT BOARD 1		*		1
4	40164557	PANEL CIRCUIT BOARD 2		*		1
5	M3001620000	PANEL SEET (JAPAN)	FOR USE IN JAPAN	*		1
6	M3002620000	PANEL SEET (ENGLISH)	FOR EXPORT	*		1
7	M90216200A0	PANEL CABLE ASM.		*		1
8	M1010600000	OPERATION BOX UPPER CASE		*		1
9	M10315800A0	OPERATION BOX LOWER CASE ASM.		*		1
10	M1031580000	OPERATION BOX LOWER CASE		*		1
11	M1011580000	MAGNET SHEET		*		2
12	CM600100101	WEEE MARK LABEL S		*		1
13	G1002007000	BLIND PLATE		*		1
14	M2001600000	PANEL SIDE LABEL		*		1
15	ST4031051SN	TAPPING SCREW D=3-24 L=10		*		6
16	40035024	OPERATION_BOX_FIXED_PLATE(B)ASM.				1
17	SK3413201SE	WOOD SCREW D=4.1 L=32				2
18	WP0501016SC	WASHER 5X10.5X1				2

# WIRING DIAGRAM

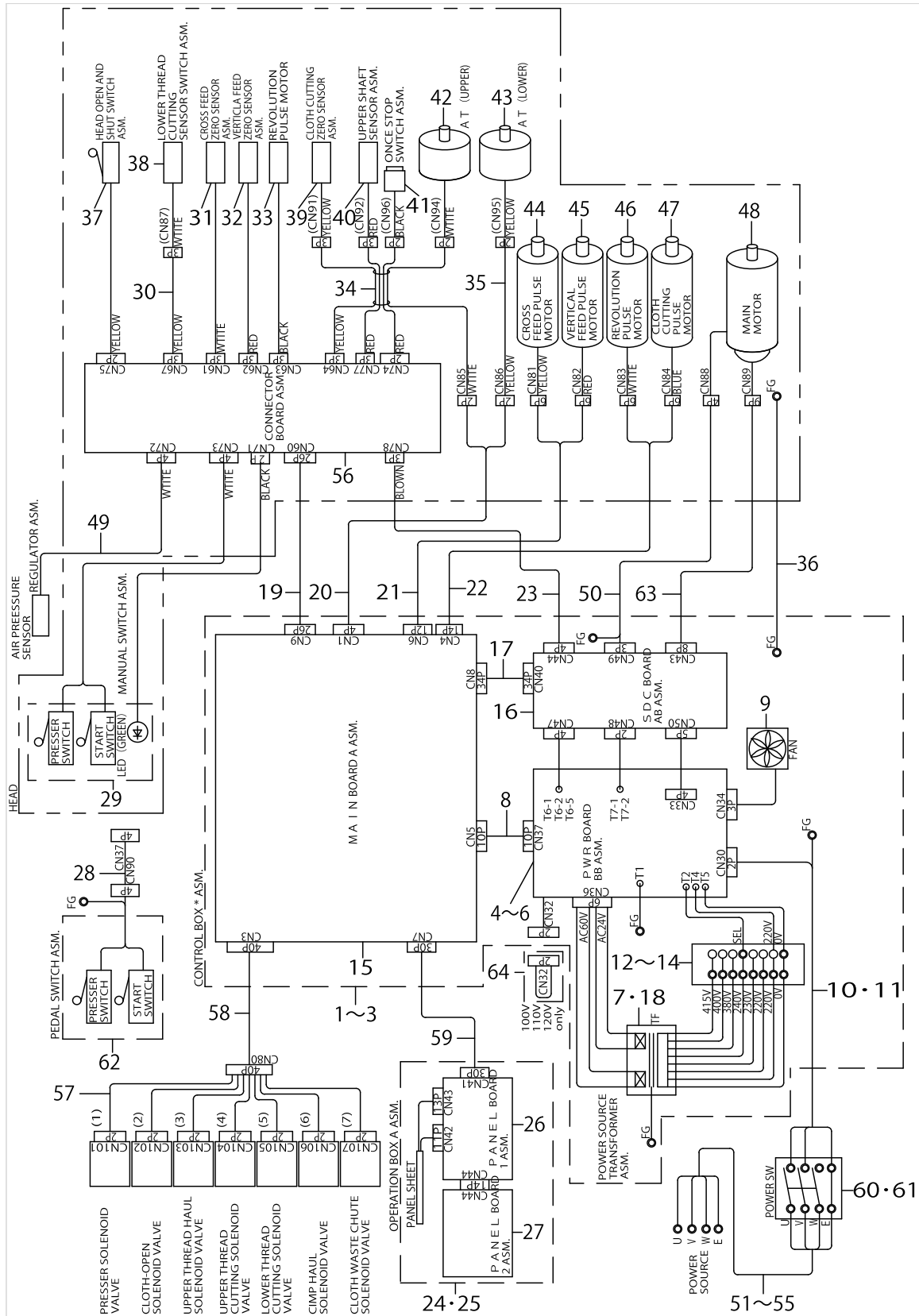


WIRING DIAGRAM

No.	Parts No.	Parts name	Remarks	Level	Cons	Qty
1	M8501620AA0	CONTROL BOX, A ASM.	FOR 100V,200V			1
2	M8501620BA0	CONTROL BOX, B ASM.	FOR 220V,380V			1
3	M8501620CA0	CONTROL BOX, C ASM.	FOR JE			1
4	40059718	PWR CIRCUIT BOARD AB ASM.	FOR 100V,200V	*		1
5	40059719	PWR CIRCUIT BOARD BB ASM.	FOR 220V,380V	*		1
6	40059719	PWR CIRCUIT BOARD BB ASM.	FOR JE	*		1
7	M8901620AA0	POWER TRANSFORMER, A ASM.		*		1
8	M90076200A0	DC POWER SUPPLY CABLE ASM.		*		1
9	M85405900A0	FAN ASM.		*		1
10	M85216000A0	BOX POWER CORD ASM.		*		1
11	M90236200A0	BOX POWER CORD ASM.	FOR JE	*		1
12	HK026650080	TERMINAL BASE 8P	FOR 100V,200V	*		1
13	HK054250040	TERMINAL BASE 4P	FOR 220V,380V	*		2
14	HK054250040	TERMINAL BASE 4P	FOR JE	*		2
15	M8601620AA0	MAIN CIRCUIT BOARD, A ASM.		*		1
16	40042767	SDC_PCB_ASSY		*		1
17	M90226200A0	SDC·I/F CABLE ASM.		*		1
18	M8901620BA0	POWER TRANSFORMER, B ASM.	EXCEPT 100V,200V	*		1
19	M90136200A0	RELAY CABLE ASM.				1
20	M90116200A0	AT CABLE ASM.				1
21	M90026200A0	PULSE MOTOR RELAY CABLE,A ASM.				1
22	M90036200A0	PULSE MOTOR RELAY CABLE,B ASM.				1
23	M90106200A0	UPPER SHAFT SENSOR CABLE ASM.				1
24	M8510620AA0	OPERATION BOX, A ASM.	FOR USE IN JAPAN			1
25	M8510620BA0	OPERATION BOX, B ASM.	FOR EXPORT			1
26	M86036200A0	PANEL CIRCUIT BOARD, 1 ASM.		*		1
27	M86046200A0	PANEL CIRCUIT BOARD, 2 ASM.		*		1
28	M90146200A0	PEDAL SWITCH CABLE ASM.				1
29	32076655	HAND SWITCH ASM.				1
30	32078354	SENSOR CABLE ASM.	EXCEPT MEB-3200TS			1
31	32078057	HOME POSITION SENSOR CABLE ASM.				1
32	32076853	HOME POSITION SENSOR CABLE ASM.				1
33	32077059	HOME POSITION SENSOR CABLE ASM.				1
34	32077950	RELAY CABLE ASM.				1
35	32053357	RELAY CABLE ASM.				1
36	M90206200A0	EARTH CORD ASM.				1
37	32002255	SWITCH ASM.				1
38	40021684	SENSOR SWITCH ASM.				1
39	32077356	HOME POSITION SENSOR CABLE ASM.				1
40	32077653	UPPER SHAFT SENSOR CABLE ASM.				1
41	32002354	SWITCH ASM.				1
42	32054900	AT (UPPER)				1
43	32053209	AT (LOWER)				1
44	KM000000320	PULSE MOTOR				1
45	KM000000310	PULSE MOTOR				1
46	KM000000330	PULSE MOTOR				1
47	KM000000300	PULSE MOTOR				1



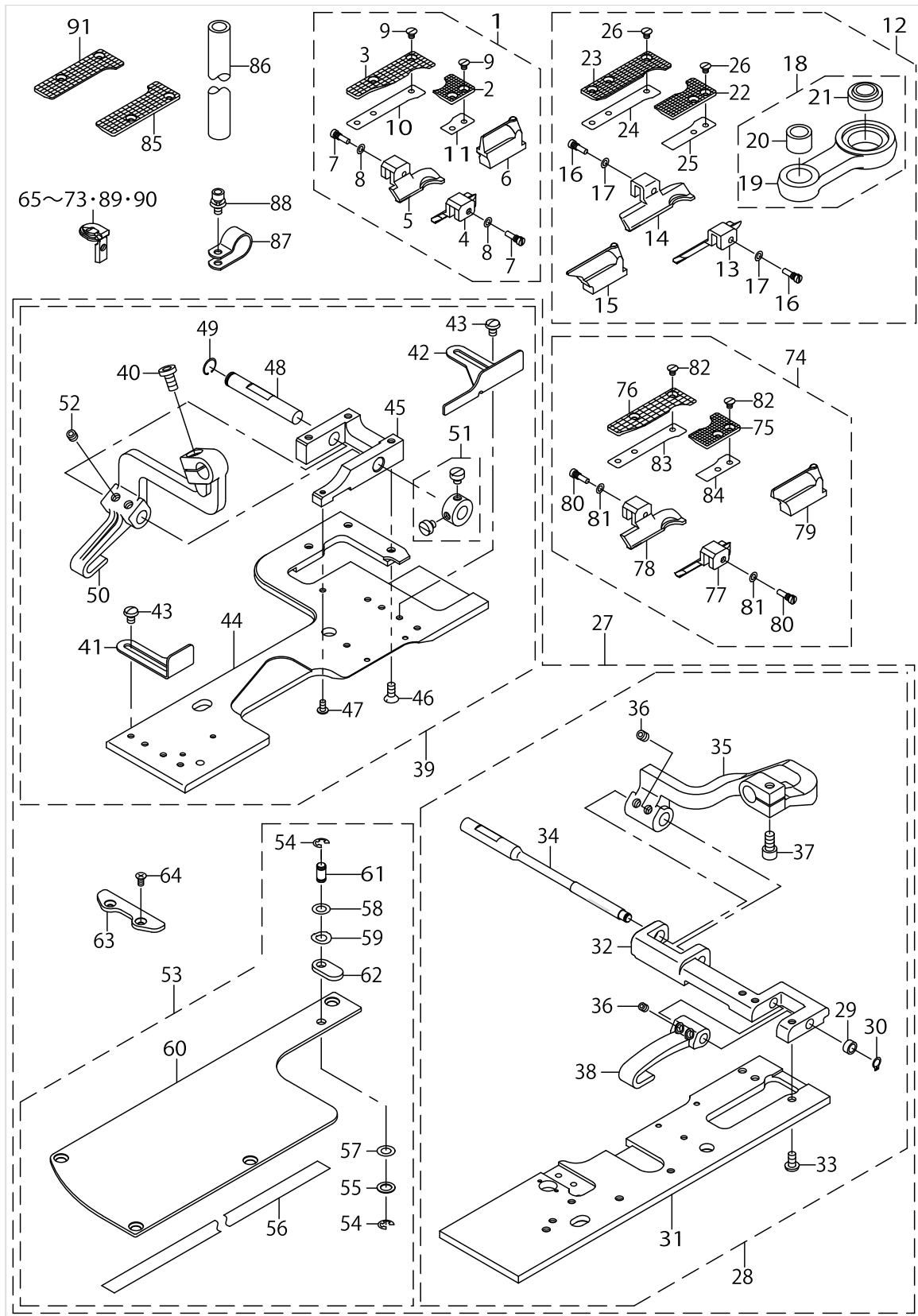
# WIRING DIAGRAM



WIRING DIAGRAM

No.	Parts No.	Parts name	Remarks	Level	Cons	Qty
48	KM000000340	SERVO MOTOR				1
49	B47152100A0	FILTER REGULATOR ASM.				1
50	M90046200A0	SERVO MOTOR CABLE ASM.				1
51	M90175800A0	POWER CABLE ASM.				1
52	M90355800A0	POWER SOURCE CORD ASM.	FOR USE IN JAPAN (1 $\phi$ 100V)			1
53	M90285800A0	POWER CABLE ASM.	FOR JE			1
54	M90245800A0	POWER CABLE ASM.	FOR SINGLE PHASE(100V)			1
55	M90345800A0	GROUND CORD ASM.	FOR USE IN JAPAN (1 $\phi$ 100V)			1
56	M86026200A0	CONNECTOR CIRCUIT BOARD ASM.				1
57	M90156200A0A	VALVE CABLE ASM.				1
58	M90016200A0	RELAY CABLE ASM.				1
59	M90216200A0	PANEL CABLE ASM.				1
60	HA004250000	SWITCH				1
61	HA00303000A	SWITCH	FOR JE			1
62	M85905130AA	PEDAL SWITCH ASM.				1
63	40050672	ENCODER_CABLE_ASSY				1
64	M85236000A0	INPUT CHANGEOVER CORD ASM.	FOR SINGLE PHASE(100V)			1

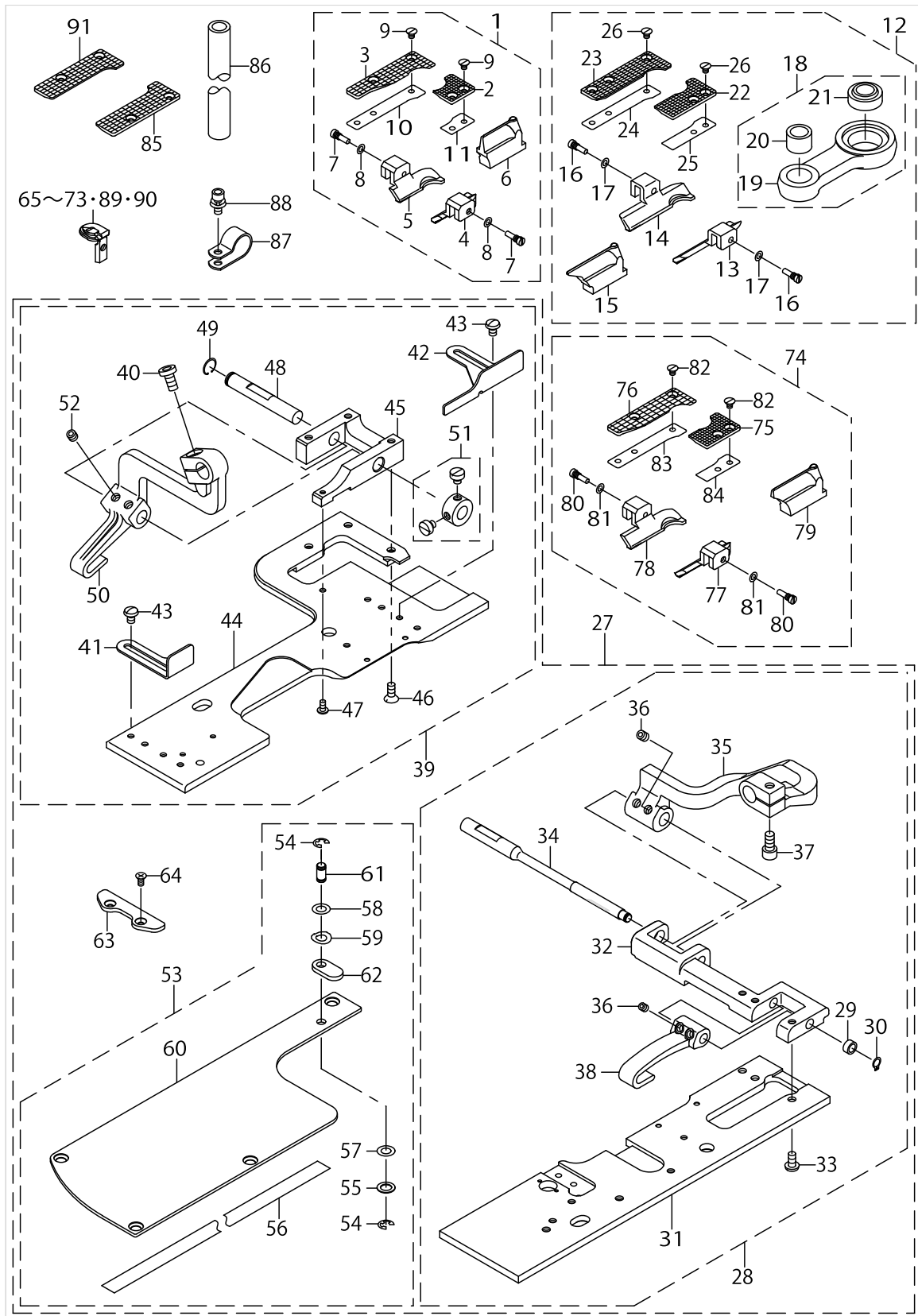
OPTION COMPONENTS(1)



OPTION COMPONENTS(1)

No.	Parts No.	Parts name	Remarks	Level	Cons	Qty
1	32028458	EYELET COMPENSATING FOOT S SET	FOR MEB-3200JS,JA			1
2	32028409	HOLDING PLATE, RIGHT S		*		1
3	32028516	HOLDING PLATE, LEFT S		*		1
4	32028201	COMPENSATING FOOT, RIGHT S		*		1
5	32028300	COMPENSATING FOOT, LEFT S		*		1
6	32063604	CLOTH CUTTING KNIFE (EYELET) S		*		1
7	14010508	PRESSER FOOT ATTACHING SCREW		*		2
8	WZ0320290UZ	WASHER 3.2X6.5X0.15		*		2
9	SM1030400SP	SCREW M3 L=4		*		4
10	40016000	HOLDING PLATE SPACER LEFT		*		1
11	40015997	HOLDING PLATE SPACER RIGHT S		*		1
12	32029050	EYELET COMPENSATING FOOT L SET	FOR MEB-3200JS,CS,JA,CA			1
13	14058804	PRESSER FOOT, RIGHT, H		*		1
14	14058903	PRESSER FOOT, LEFT H		*		1
15	14041206	CUTTING KNIFE, EYELET		*		1
16	14010508	PRESSER FOOT ATTACHING SCREW		*		2
17	WZ0320290UZ	WASHER 3.2X6.5X0.15		*		2
18	40131925	VERTICALFEEDCONNECTINGARMASM.		*		1
19	40131921	VERTICAL FEED CONNECTING ARM		*		1
20	32007403	CONNECTING ARM METAL, A		*		1
21	40131924	SPHERICAL BEARING		*		1
22	32029001	HOLDING PLATE J, RIGHT L		*		1
23	32029100	HOLDING PLATE J, LEFT L		*		1
24	40016000	HOLDING PLATE SPACER LEFT		*		1
25	40015999	HOLDING PLATE SPACER RIGHT L		*		1
26	SM1030400SP	SCREW M3 L=4		*		5
27	32031064	VERTICAL HOLE PRESSER SET	FOR MEB-3200SS			1
28	32031056	PRESSER PLATE, RIGHT ASM.		*		1
29	11041100	ROLLER		*		1
30	RC0470611KP	RETAINING RING 4.7		*		1
31	32031007	PRESSER PLATE, RIGHT		*		1
32	32031205	PRESSER ARM FITTING BASE,RIGHT		*		1
33	SM5040855SN	SCREW		*		3
34	32031304	PRESSER ARM BASE SHAFT, RIGHT		*		1
35	32031809	PRESSER ARM BASE, RIGHT		*		1
36	SM8050412TP	SCREW M5 L=4		*		4
37	SM6051002TN	BOLT		*		1
38	32031700	DRIVING ARM		*		1
39	32031155	HOLE PRESSER PLATE ASM.		*		1
40	SM6051002TN	BOLT		*		1
41	32032104	VERTICAL HOLE GUIDE, FRONT		*		1
42	32032203	VERTICAL HOLE GUIDE, REAR		*		1
43	SS5090610SP	SCREW 9/64-40 L=6		*		4
44	32031106	HOLE PRESSER PLATE, LEFT		*		1
45	32031502	PRESSER ARM FITTING BASE, LEFT		*		1
46	SM1041001SP	SCREW M4X0.7 L=10		*		3
47	SM0030601SC	SCREW M3X0.5 L=6		*		1

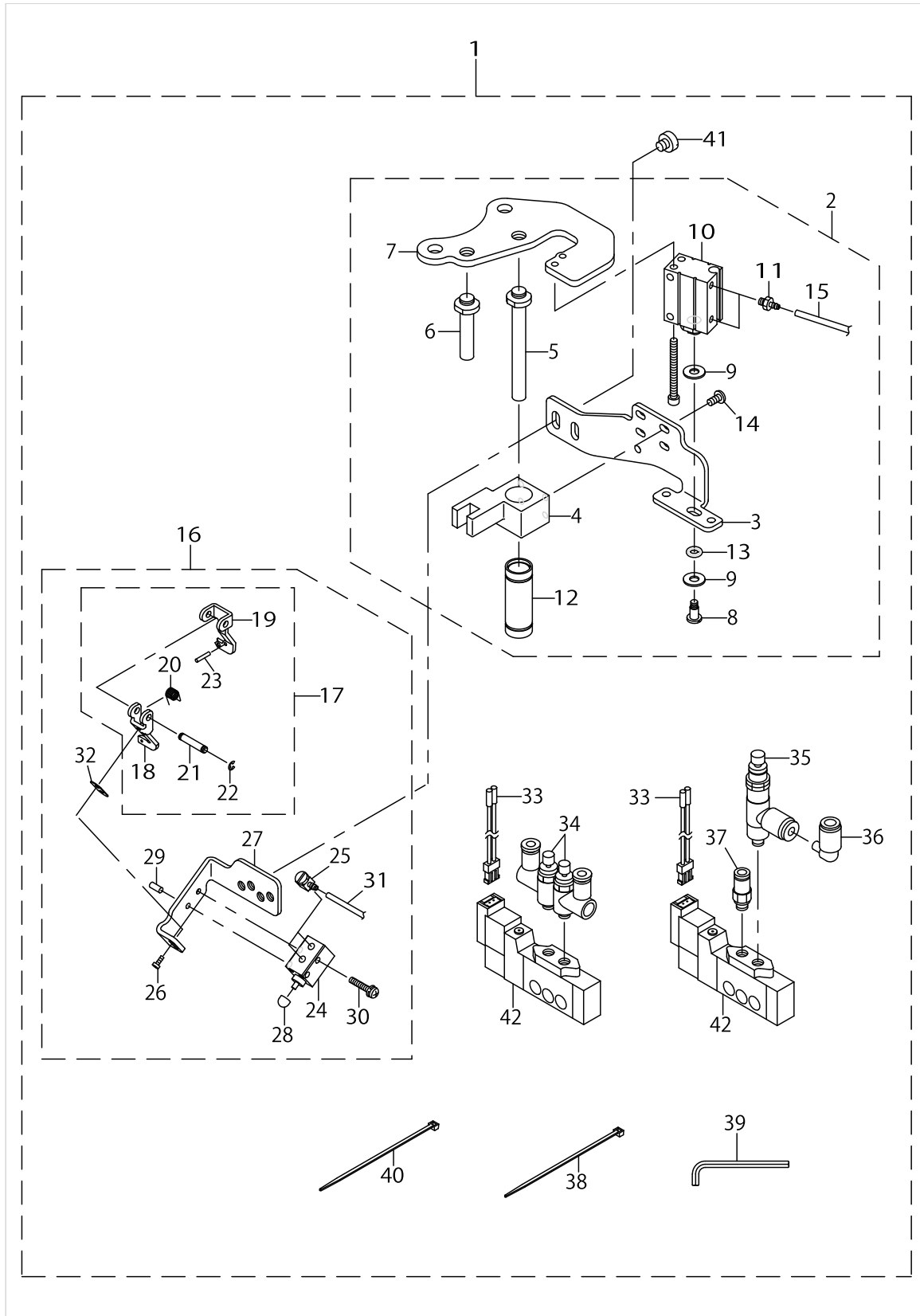
OPTION COMPONENTS(1)



OPTION COMPONENTS(1)

No.	Parts No.	Parts name	Remarks	Level	Cons	Qty
48	32031601	PRESSER ATM BASE SHAFT, LEFT		*		1
49	RC0740811KP	C-RING		*		1
50	32031908	PRESSER ARM BASE, LEFT		*		1
51	CS080081BSH	THRUST COLLAR ASM. D=8.0 W=8		*		1
52	SM8050412TP	SCREW M5 L=4		*		2
53	32032054	AUXILIARY COVER, LEFT ASM.		*		1
54	RE0400000KP	E-RING 4		*		2
55	26217604	WASHER		*		1
56	40066088	TAPE		*		0.42
57	32003808	CLAMP RETAINER PLATE SPACER		*		1
58	WP0550800SP	WASHER 5.5X10X0.8		*		1
59	WZ0620290KP	WASHER		*		1
60	32032005	AUXILIARY COVER, LEFT		*		1
61	32002008	FULCRUM SHAFT		*		1
62	14012504	CLAMP HOLDING PLATE		*		1
63	32012809	HOLDING PLATE, REAR		*		1
64	SM1030601SC	SCREW M3 L=6		*		2
65	32043218	THROAT PLATE, D	FOR MEB-3200SS,RS			1
66	32043325	THROAT PLATE, JF	FOR MEB-3200JS,CS,JA,CA			1
67	32043424	THROAT PLATE, JA	FOR MEB-3200JS,CS,JA,CA			1
68	32043523	THROAT PLATE, JE	FOR MEB-3200JS,JA			1
69	32043622	THROAT PLATE, JD	FOR MEB-3200JS,CS,JA,CA			1
70	32042830	THROAT PLATE, JB	FOR MEB-3200CS,CA			1
71	32042913	THROAT PLATE, B	FOR MEB-3200SS,RS			1
72	32043010	THROAT PLATE, C	FOR MEB-3200SS,RS			1
73	32043135	THROAT PLATE, JC	FOR MEB-3200JS,CS,JA,CA			1
74	32028854	EYELET COMPENSATING FOOT M SET	FOR MEB-3200CS,CA			1
75	32028805	HOLDING PLATE, J RIGHT M		*		1
76	32028912	HOLDING PLATE, J LEFT M		*		1
77	32028607	PRESSER FOOT, RIGHT M		*		1
78	32028706	PRESSER FOOT, LEFT M		*		1
79	32063703	CUTTING KNIFE (EYELET), M		*		1
80	14010508	PRESSER FOOT ATTACHING SCREW		*		2
81	WZ0320290UZ	WASHER 3.2X6.5X0.15		*		2
82	SM1030400SP	SCREW M3 L=4		*		4
83	40016000	HOLDING PLATE SPACER LEFT		*		1
84	40015998	HOLDING PLATE SPACER RIGHT M		*		1
85	32029407	HOLDING PLATE, RIGHT	EXCEPT MEB-3200JS,CS,JA,CA			1
86	BT1200801EF	TUBE				2.3
87	HX00150000F	CABLE CLIP				3
88	SL6041092TN	SCREW				3
89	40029122	THROAT PLATE JA C	FOR MEB-3200JS(CHINA)			1
90	40029123	THROAT PLATE JE C	FOR MEB-3200CS(CHINA)			1
91	32029506	HOLDING PLATE, LEFT	EXCEPT MEB-3200JS,CS,JA,CA			1

OPTION COMPONENTS(2)



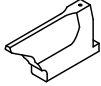
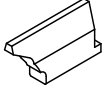
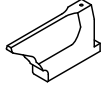
OPTION COMPONENTS(2)

No.	Parts No.	Parts name	Remarks	Level	Cons	Qty
1	32024481	UPPER THREAD CLAMP UNIT				1
2	32024952	UPPER THREAD CLAMP ARM ASM.		*		1
3	32024903	UPPER THREAD CLAMP ARM		*		1
4	32025108	UPPER THREAD CLAMP GUIDE		*		1
5	32025207	GUIDE SHAFT A		*		1
6	32025306	GUIDE SHAFT B		*		1
7	32025405	CYLINDER FITTING PLATE		*		1
8	14044903	SCREW		*		1
9	14030100	WASHER		*		2
10	PA100153200	AIR CYLINDER		*		1
11	PJ032039002	COUPLING		*		2
12	SB706000500	BEARING		*		1
13	RO037180100	RUBBER RING		*		1
14	SM5030655SP	SCREW		*		4
15	BT0320201EB	TUBE 3.18X2		*		2.2
16	32024499	UPPER THREAD CLAMP ASM.		*		1
17	40018402	UPPER THREAD CLAMP AB ASM.		*		1
18	32024416	UPPER THREAD CLAMP A		*		1
19	32024507	UPPER THREAD CLAMP B		*		1
20	32024606	UPPER THREAD CLAMP SPRING		*		1
21	32025009	UPPER THREAD CLAMP SHAFT		*		1
22	RE0200000K0	E-RING		*		2
23	PS0150082KH	SPRING PIN		*		1
24	PA040030100	AIR CYLINDER		*		1
25	PJ046039002	ELBOW		*		2
26	SM6020402TN	BOLT M2 L=4		*		2
27	32024713	UPPER THREAD CLAMP BRACKET		*		1
28	32024804	UPPER THREAD CLAMP DRIVING PIN		*		1
29	PS0250062KH	SPRING PIN 2.5X6		*		1
30	SL4851481SF	SCREW M2.5 L=14		*		1
31	BT0320201EB	TUBE 3.18X2		*		2.4
32	32025504	UPPER THREAD CLAMP SPACER	SELECTIVE USE OF 1 TO 3 PCS.	*		3
33	M9024620000	SOLENOID VALVE CONNECTOR		*		2
34	PC010522000	SPEED CONTROLLER		*		2
35	PF070501000	PRESSURE DECREASING VALVE		*		1
36	PJ304030001	ELBOW		*		1
37	PJ210203100	UNION		*		1
38	EA9500B0100	CABLE BAND		*		4
39	32025603	HEXAGONAL WRENCH		*		1
40	EA9500B0100	CABLE BAND		*		4
41	SS6110480SP	SCREW 11/64-40 L=4.3		*		2
42	PV150209100	SOLENOID VALVE		*		2

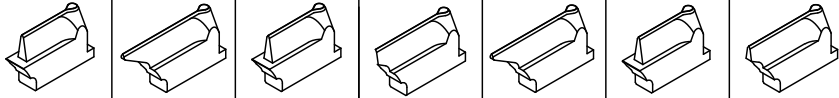


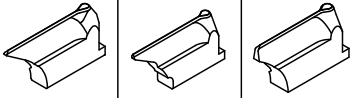
OPTION COMPONENTS(3)

Knife support  
刃受け

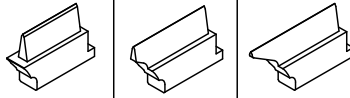
Item 品名	For eyelet buttonhole 鳩目用		For decorative buttonhole 眠り目用		For hard eyelet buttonhole 鳩目用(硬いタイプ)		
Shape 形状							
	Ref.No.	Part No.	Ref.No.	Part No.	Ref.No.	Part No.	
Length of knife support メス受け長 (mm)	40	—	15	14042501	—	—	
	38	1	32062101	—	47	32067209	
	36	2	32062200	16	32064404	48	32067308
	34	3	32062309	17	32064503	49	32067407
	32	4	32062408	18	14042600	50	32067506
	30	5	32062507	19	32064602	51	32067605
	28	6	32062606	20	32064701	52	32067704
	26	7	32062705	21	14042808	53	32067803
	24	8	32062804	22	32064800	54	32067902
	22	46	32062903	23	14042907	55	32068009
	20	9	32063000	24	32064909	56	32068108
	18	10	32063109	25	32065005	57	32068207
	16	11	32063208	26	14043103	58	32068306
	14	12	32063307	27	32065104	59	32068405
12	13	32063406	28	32065203	60	32068504	
10	14	32063505	29	14043301	61	32068603	

Cloth cutting knife  
布切りメス



Item 品名	For eyelet buttonhole 鳩目用							
Shape 形状								
	Ref.No.	39	40	41	42	43	44	45
Part No.	32063604	32063802	32063901	32064008	32064107	32064206	32064305	
Mark 刻印	3S	5	1S	1M	5	5S	5M	

Item 品名	For eyelet buttonhole 鳩目用		
Shape 形状			
	Ref.No.	62	63
Part No.	32066904	14041206	32063703
Mark 刻印	6	3	3M

Cloth cutting knife  
布切りメス

Item 品名	For decorative buttonhole 眠り目用		
Shape 形状			
	Ref.No.	30	31
Part No.	32065302	32065401	14041404
Mark 刻印	OS	OM	O

Work clamp  
押え足

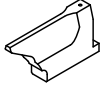
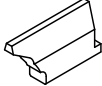
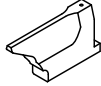
Work clamp foot (left) 押え足左	Item 品名	For eyelet buttonhole 鳩目用 32mm	For eyelet buttonhole 鳩目用 22mm	For decorative buttonhole 眠り目用 40mm	For eyelet buttonhole 鳩目用 40mm	For eyelet buttonhole 鳩目用段押え	For eyelet buttonhole 鳩目用段押え	For eyelet buttonhole 鳩目用段押え	For eyelet buttonhole 鳩目用段押え	For eyelet buttonhole 鳩目用段押え 22mm	
	Shape 形状										
Ref.No.	33	34	35	65	67	69	72	73	75		
Part No.	14059604	14059802	14013908	14010102	32028706	32028300	14058903	40035239	40039844		
Work clamp foot (right) 押え足右	Shape 形状										
	Ref.No.	36	37	38	66	68	70	71	74	76	
Part No.	14059505	14059703	14013809	14010003	32028607	32028201	14058804	40035238	40039843		

OPTION COMPONENTS(3)

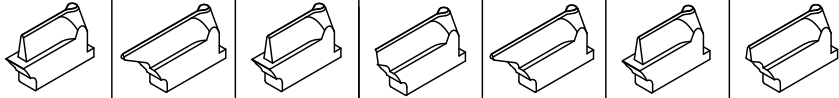
No.	Parts No.	Parts name	Remarks	Level	Cons	Qty
1	32062101	KNIFE HOLDER, 38MM (EYELET)				1
2	32062200	KNIFE HOLDER, 36MM (EYELET)				1
3	32062309	KNIFE HOLDER, 34MM (EYELET)				1
4	32062408	KNIFE HOLDER, 32MM (EYELET)				1
5	32062507	KNIFE HOLDER, 30MM (EYELET)				1
6	32062606	KNIFE HOLDER, 28MM (EYELET)				1
7	32062705	KNIFE HOLDER, 26MM (EYELET)				1
8	32062804	KNIFE HOLDER, 24MM (EYELET)				1
9	32063000	KNIFE HOLDER, 20MM (EYELET)				1
10	32063109	KNIFE HOLDER, 18MM (EYELET)				1
11	32063208	KNIFE HOLDER, 16MM (EYELET)				1
12	32063307	KNIFE HOLDER, 14MM (EYELET)				1
13	32063406	KNIFE HOLDER, 12MM (EYELET)				1
14	32063505	KNIFE HOLDER, 10MM (EYELET)				1
15	14042501	KNIFE HOLDER, 40MM, DECORATIVE				1
16	32064404	KNIFE HOLDER, 36MM, DECORATIVE				1
17	32064503	KNIFE HOLDER, 34MM, DECORATIVE				1
18	14042600	KNIFE HOLDER, 32MM, DECORATIVE				1
19	32064602	KNIFE HOLDER, 30MM, DECORATIVE				1
20	32064701	KNIFE HOLDER, 28MM, DECORATIVE				1
21	14042808	KNIFE HOLDER, 26MM, DECORATIVE				1
22	32064800	KNIFE HOLDER, 24MM, DECORATIVE				1
23	14042907	KNIFE HOLDER, 22MM, DECORATIVE				1
24	32064909	KNIFE HOLDER, 20MM, DECORATIVE				1
25	32065005	KNIFE HOLDER, 18MM, DECORATIVE				1
26	14043103	KNIFE HOLDER, 16MM, DECORATIVE				1
27	32065104	KNIFE HOLDER, 14MM, DECORATIVE				1
28	32065203	KNIFE HOLDER, 12MM, DECORATIVE				1
29	14043301	KNIFE HOLDER, 10MM, DECORATIVE				1
30	32065302	CUTTING KNIFE (DECORATIVE), S				1
31	32065401	CUTTING KNIFE (DECORATIVE), M				1
32	14041404	CUTTING KNIFE, DECORATIVE				1
33	14059604	PRESSER FOOT, LEFT 32MM				1
34	14059802	PRESSER FOOT, LEFT 22MM				1
35	14013908	PRESSER FOOT, LEFT 40MM				1
36	14059505	PRESSER FOOT, RIGHT 32MM				1
37	14059703	PRESSER FOOT, RIGHT 22MM				1
38	14013809	PRESSER FOOT, RIGHT 40MM				1
39	32063604	CUTTING KNIFE (EYELET), S				1
40	32063802	CUTTING KNIFE (EYELET), 1				1
41	32063901	CUTTING KNIFE (EYELET), 1S				1
42	32064008	CUTTING KNIFE (EYELET), 1M				1
43	32064107	CUTTING KNIFE (EYELET), 5				1
44	32064206	CUTTING KNIFE (EYELET), 5S				1
45	32064305	CUTTING KNIFE (EYELET), 5M				1
46	32062903	KNIFE HOLDER, 22MM (EYELET)				1
47	32067209	KNIFE HOLDER, 38MM (EYELET),H				1

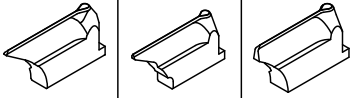
OPTION COMPONENTS(3)

Knife support  
刃受け

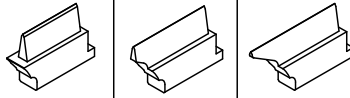
Item 品名	For eyelet buttonhole 鳩目用		For decorative buttonhole 眠り目用		For hard eyelet buttonhole 鳩目用(硬いタイプ)		
Shape 形状							
	Ref.No.	Part No.	Ref.No.	Part No.	Ref.No.	Part No.	
Length of knife support メス受け長さ (mm)	40	—	15	14042501	—	—	
	38	1	32062101	—	47	32067209	
	36	2	32062200	16	32064404	48	32067308
	34	3	32062309	17	32064503	49	32067407
	32	4	32062408	18	14042600	50	32067506
	30	5	32062507	19	32064602	51	32067605
	28	6	32062606	20	32064701	52	32067704
	26	7	32062705	21	14042808	53	32067803
	24	8	32062804	22	32064800	54	32067902
	22	46	32062903	23	14042907	55	32068009
	20	9	32063000	24	32064909	56	32068108
	18	10	32063109	25	32065005	57	32068207
	16	11	32063208	26	14043103	58	32068306
	14	12	32063307	27	32065104	59	32068405
12	13	32063406	28	32065203	60	32068504	
10	14	32063505	29	14043301	61	32068603	

Cloth cutting knife  
布切りメス



Item 品名	For eyelet buttonhole 鳩目用							
Shape 形状								
	Ref.No.	39	40	41	42	43	44	45
Part No.	32063604	32063802	32063901	32064008	32064107	32064206	32064305	
Mark 刻印	3S	5	1S	1M	5	5S	5M	

Item 品名	For eyelet buttonhole 鳩目用		
Shape 形状			
	Ref.No.	62	63
Part No.	32066904	14041206	32063703
Mark 刻印	6	3	3M

Cloth cutting knife  
布切りメス

Item 品名	For decorative buttonhole 眠り目用		
Shape 形状			
	Ref.No.	30	31
Part No.	32065302	32065401	14041404
Mark 刻印	OS	OM	O

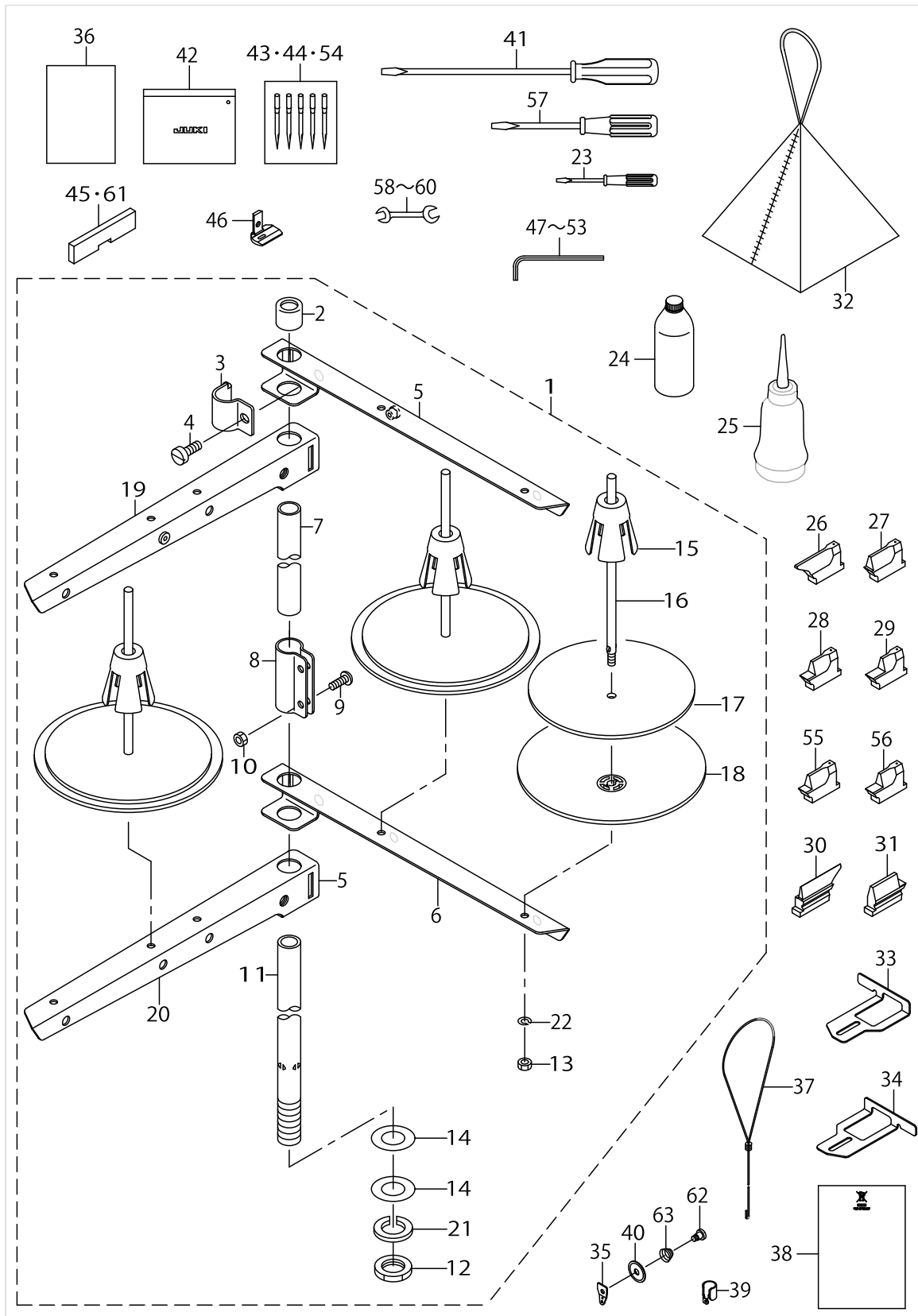
Work clamp  
押え足

Work clamp foot (left) 押え足左	Item 品名	For eyelet buttonhole 鳩目用 32mm	For eyelet buttonhole 鳩目用 22mm	For decorative buttonhole 眠り目用 40mm	For eyelet buttonhole 鳩目用 40mm	For eyelet buttonhole 鳩目用段押え	For eyelet buttonhole 鳩目用段押え	For eyelet buttonhole 鳩目用段押え	For eyelet buttonhole 鳩目用段押え	For eyelet buttonhole 鳩目用段押え 22mm	
	Shape 形状										
Ref.No.	33	34	35	65	67	69	72	73	75		
Part No.	14059604	14059802	14013908	14010102	32028706	32028300	14058903	40035239	40039844		
Work clamp foot (right) 押え足右	Shape 形状										
	Ref.No.	36	37	38	66	68	70	71	74	76	
Part No.	14059505	14059703	14013809	14010003	32028607	32028201	14058804	40035238	40039843		

OPTION COMPONENTS(3)

No.	Parts No.	Parts name	Remarks	Level	Cons	Qty
48	32067308	KNIFE HOLDER, 36MM (EYELET),H				1
49	32067407	KNIFE HOLDER, 34MM (EYELET),H				1
50	32067506	KNIFE HOLDER, 32MM (EYELET),H				1
51	32067605	KNIFE HOLDER, 30MM (EYELET),H				1
52	32067704	KNIFE HOLDER, 28MM (EYELET),H				1
53	32067803	KNIFE HOLDER, 26MM (EYELET),H				1
54	32067902	KNIFE HOLDER, 24MM (EYELET),H				1
55	32068009	KNIFE HOLDER, 22MM (EYELET),H				1
56	32068108	KNIFE HOLDER, 20MM (EYELET),H				1
57	32068207	KNIFE HOLDER, 18MM (EYELET),H				1
58	32068306	KNIFE HOLDER, 16MM (EYELET),H				1
59	32068405	KNIFE HOLDER, 14MM (EYELET),H				1
60	32068504	KNIFE HOLDER, 12MM (EYELET),H				1
61	32068603	KNIFE HOLDER, 10MM (EYELET),H				1
62	32066904	CUTTING KNIFE (EYELET), 6				1
63	14041206	CUTTING KNIFE, EYELET				1
64	32063703	CUTTING KNIFE (EYELET), M				1
65	14010102	PRESSER FOOT (LEFT) 40MM				1
66	14010003	PRESSER FOOT (RIGHT) 40MM				1
67	32028706	PRESSER FOOT, LEFT M				1
68	32028607	PRESSER FOOT, RIGHT M				1
69	32028300	COMPENSATING FOOT, LEFT S				1
70	32028201	COMPENSATING FOOT, RIGHT S				1
71	14058804	PRESSER FOOT, RIGHT, H				1
72	14058903	PRESSER FOOT, LEFT H				1
73	40035239	PRESSER FOOT LEFT W(M)				1
74	40035238	PRESSER FOOT RIGHT W(M)				1
75	40039844	PRESSER FOOT LEFT W(S)				1
76	40039843	PRESSER FOOT RIGHT W(S)				1

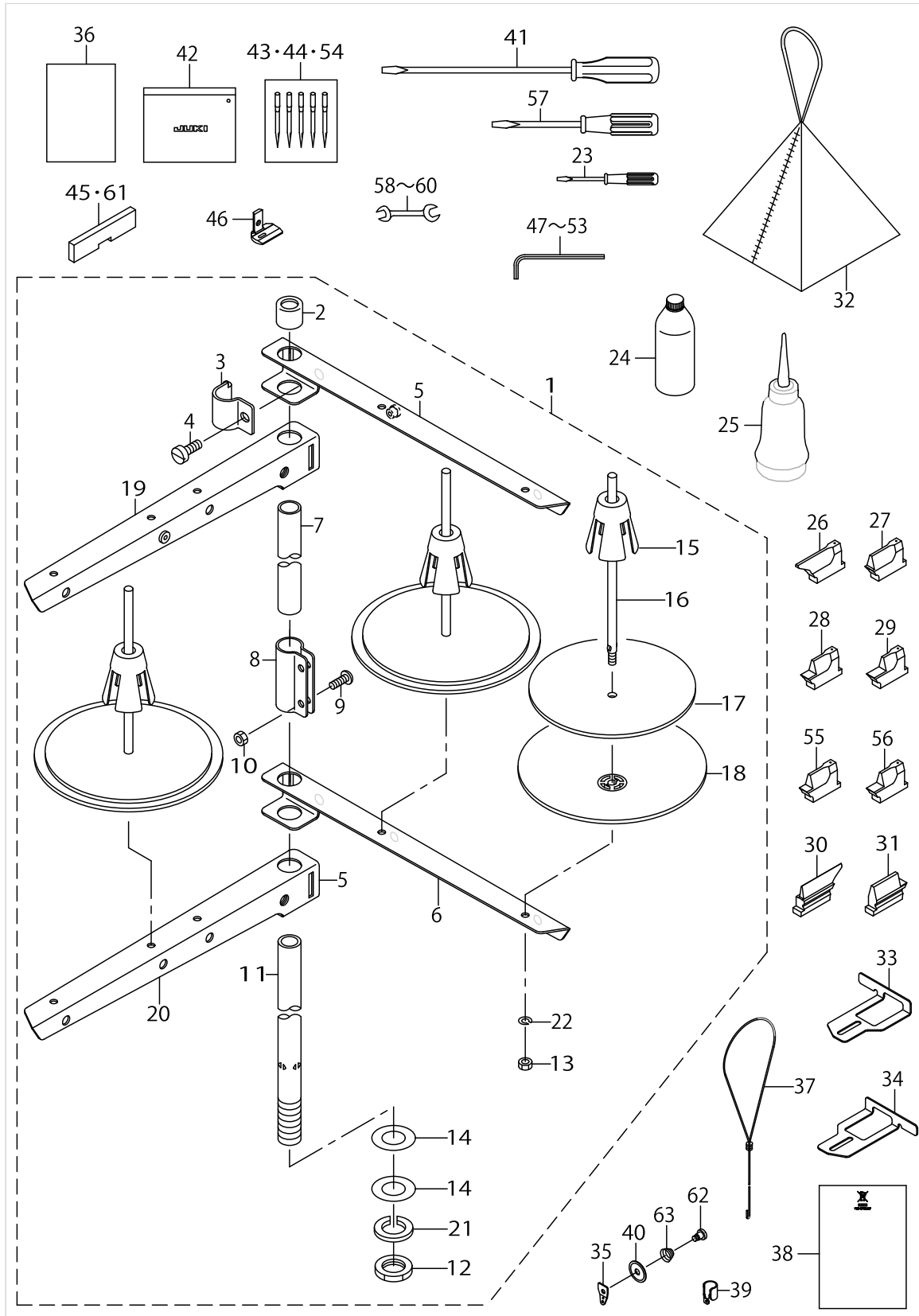
ACCESSORY PARTS COMPONENTS



ACCESSORY PARTS COMPONENTS

No.	Parts No.	Parts name	Remarks	Level	Cons	Qty
1	13850052	THREAD STAND ASM.				1
2	22931406	SPOOL REST ROD CAP		*		1
3	22930705	SPOOL REST ROD JOINT		*		4
4	SM6061610SC	SCREW M6 L=16		*		4
5	22930556	SPOOL REST ARM ASM.		*		1
6	22930507	SPOOL REST ARM		*		1
7	22930408	SPOOL REST ROD,UPPER		*		1
8	22931307	SPOOL REST ROD JOINT		*		1
9	SM4051405SE	SCREW M5 L=14		*		2
10	NM6050001SE	NUT M5		*		2
11	22930309	SPOOL REST ROD,LOWER		*		1
12	NM6160511SE	NUT		*		1
13	NM6050001SE	NUT M5		*		3
14	WP1612616SE	WASHER 16X30X2.6		*		2
15	22931109	SPOOL RETAINER		*		3
16	22931000	SPOOL PIN		*		3
17	22930903	SPOOL REST CUSHION		*		3
18	22930804	SPOOL REST		*		3
19	13168950	SPOOL REST ARM,A ASM.		*		1
20	13168901	SPOOL REST ARM,A		*		1
21	WS1643202KR	SPRING WASHER		*		1
22	WS0510002KN	SPRING WASHER		*		3
23	22933204	SCREW DRIVER,SMALL				1
24	MDFRX2001L0	DEFRIX OIL, NO.2 900CC				1
25	B91210120A0	OILER ASM.				1
26	32067209	KNIFE HOLDER 38MM (EYELET),H	EXCEPT MEB-3200JS,CS,JA,CA, S-S(CHINA),JS(CHINA),CS(CHINA)		☆	1
27	32067803	KNIFE HOLDER 26MM (EYELET),H	FOR MEB-3200JS(USE IN JAPAN), MEB-3200JA(USE IN JAPAN)		☆	1
28	32068108	KNIFE HOLDER 20MM (EYELET),H	EXCEPT MEB-3200JS,CS,JA,CA		☆	1
29	32068306	KNIFE HOLDER 16MM (EYELET),H	EXCEPT MEB-3200JS,CS,JA,CA		☆	1
30	14041404	CUTTING KNIFE, DECORATIVE	EXCEPT MEB-3200JS,CS,JA,CA		☆	1
31	14042907	KNIFE HOLDER, 22MM, DECORATIVE	EXCEPT MEB-3200JS,CS,JA,CA		☆	1
32	GEB03653000	DUST BAG				1
33	32027609	VERTICAL GUIDE, RIGHT	FOR MEB-3200RS			1
34	32027708	VERTICAL GUIDE, LEFT	FOR MEB-3200RS			1
35	40023465	THREAD GUIDE	EXCEPT MEB-3200SS(CHINA), JS(-CHINA),CS(CHINA),JS(JE)		☆	1
36	40023941	INSTRUCTION MANUAL(CC)	FOR CHINA			1
37	14058002	THREADER				1
38	CM600100201	WEEE INFORMATION SHEET	FOR USE IN JAPAN			1
39	32051708	THREAD GUIDE	EXCEPT USE IN JAPAN,CHINA		☆	1
40	B2313180000	TENSION DISC	EXCEPT MEB-3200SS(CHINA), JS(-CHINA),CS(CHINA),JS(JE)		☆	1
41	22933006	SCREW DRIVER,LARGE				1
42	22932800	ACCESSORIE BAG				1
43	MC185801002	NEEDLE, SCHMETZ, 558 NM100-2	FOR MEB-3200CS,CA		☆	1
44	MC185801102	NEEDLE, SCHMETZ, 558 NM110-2	FOR MEB-3200JS(USE IN JAPAN), MEB-3200JA(USE IN JAPAN),CS,CA		☆	1
45	32021404	TIMING GAUGE	EXCEPT MEB-3200TS,TA			1

ACCESSORY PARTS COMPONENTS



ACCESSORY PARTS COMPONENTS

No.	Parts No.	Parts name	Remarks	Level	Cons	Qty
46	14058200	TIMING GAUGE SUPPORT BASE				1
47	B9142372000	HEXAGONAL WRENCH (7.1X8.1)				1
48	MAI17001000	SPANNER (1.5)				1
49	J106600000C	HEXAGONAL WRENCH KEY 2.5				1
50	GCT02905000	SPANNER				1
51	J106600000D	HEXAGONAL WRENCH KEY				1
52	B9140372000	HEXAGONAL WRENCH, SMALL				1
53	GCT02906000	HEXAGONAL SPANNER				1
54	MC185801202	NEEDLE	FOR MEB-3200JS(EXPORT), MEB-3200JA(EXPORT),JS(CHINA)		☆	1
55	32068009	KNIFE HOLDER,22MM (EYELET),H	FOR MEB-3200CS,CA			1
56	32068207	KNIFE HOLDER,18MM (EYELET),H	FOR MEB-3200JS(EXPORT), MEB-3200JA(EXPORT),JS(CHINA)			1
57	22933105	SCREW DRIVER,MIDDLE				1
58	26034801	WRENCH (7X8)				1
59	B9113012000	WRENCH (9X10)				1
60	B9112012000	WRENCH (11X14)				1
61	14058101	TIMING GAUGE	FOR MEB-3200TS,TA			1
62	14045801	SCREW	EXCEPT MEB-3200SS(CHINA), JS(CHINA),CS(CHINA),JS(JE)		☆	1
63	14045900	TENSION SPRING	EXCEPT MEB-3200SS(CHINA), JS(CHINA),CS(CHINA),JS(JE)		☆	1



## HOW TO MAKE USE OF THIS PARTS LIST

- 1.As to "#01" and "#02" refer to the "Note" given at the bottom of the respective pages.
- 2.Codes on the "Qty" column
  - Each numeral indicates the number of parts required.
  - "0.1" and "2.5" indicate the length (in meters) of the respective parts.
- 3.Parentheses mean that the corresponding part is a subpart that constructs an assembly part.
- 4.Dotted lines on the Figures indicate assembly parts.
- 5.As to the parts with marks of "☆"(Consumable parts)and "◎"(optional parts)on the respective parts, it is recommended to prepare spares.

1. リストページの# 0 1、# 0 2の印は、ページ下の"注記"の説明を参照下さい。
2. 数量欄の数字は、個数を表し、0. 1、2. 5等の数値は、長さ（単位メートル）を表します。
3. 数量欄の（ ）は、組部品を構成している子部品であることを意味します。
4. イラストページの-----枠は、組構成であることを意味します。
5. リストページの"☆"（消耗部品）、"◎"（オプション部品）の印が付いた部品は、予備を準備しておくことをお勧めします。

# NUMERICAL INDEX OF PARTS

PART NO	PAGE	REF NO.	PART NO	PAGE	REF NO.	PART NO	PAGE	REF NO.
10004109	6	8	14010102	36	11	14044903	94	8
10004109	80	55	14010102	98	65	14045306	58	42
10112704	40	23	14010508	32	49	14045504	42	90
10507200	28	7	14010508	34	49	14045504	58	36
10507200	30	14	14010508	36	12	14045801	56	46
10523504	14	38	14010508	90	80	14045801	102	62
10622009	2	32	14010508	92	80	14045900	54	45
10700706	6	10	14011407	34	47·67·74	14045900	102	63
10743003	6	9	14011506	34	48·68·75	14050157	30	17
11000403	2	12	14012504	4	54	14058002	100	37
11041100	36	32	14012504	92	62	14058101	102	45·61
11041100	90	29	14013809	96	38	14058200	102	46
11155108	76	4	14013908	96	35	14058804	90	13
11155207	76	5	14028302	40	28	14058804	98	71
11155801	76	6	14028708	40	30	14058903	90	14
11156007	76	7	14029755	40	32	14058903	98	72
12118709	30	15	14029904	40	33	14059505	96	36
12204004	18	15	14030001	40	35	14059604	96	33
13156500	10	14	14030100	40	36	14059703	96	37
13168901	100	20	14030100	94	9	14059802	96	34
13168950	100	19	14030506	40	37	16121907	68	57
13707500	46	8	14030605	40	38	16203507	58	31
13715701	52	11	14030803	40	39·74	16870206	76	29
13715800	52	12	14030902	40	8·40	16992604	42	49
13737804	22	25	14031017	40	41·71	17845009	78	20
13737804	26	19	14031116	40	42·66·83	18027607	52	14
13850052	100	1	14032403	40	45	21057500	32	50·83
13887005	40	24	14039507	70	10	21057500	34	50·83
13887005	50	9	14040703	66	4	22502504	62	9
14003701	76	40	14040802	66	5	22888507	48	7
14003800	76	39	14040802	70	35	22928808	64	25
14005508	54	18	14041206	66	6·60·62	22930309	100	11
14005607	54	19	14041206	90	15	22930408	100	7
14006506	54	20	14041206	98	63	22930507	100	6
14007009	54	21	14041404	96	32	22930556	100	5
14007108	52	13	14041404	100	30	22930705	100	3
14009005	54	22	14042501	96	15	22930804	100	18
14009104	54	23	14042600	96	18	22930903	100	17
14009203	54	24	14042808	96	21	22931000	100	16
14009302	54	25	14042907	96	23	22931109	100	15
14009807	54	26	14042907	100	31	22931307	100	8
14010003	32	16·34	14043103	96	26	22931406	100	2
14010003	36	10	14043301	96	29	22932800	100	42
14010003	98	66	14044200	58	17	22933006	100	41
14010102	32	17·35	14044903	42	48	22933105	102	57

# NUMERICAL INDEX OF PARTS

PART NO	PAGE	REF NO.	PART NO	PAGE	REF NO.	PART NO	PAGE	REF NO.
22933204	100	23	32006504	12	67	32013005	20	13-52
24003600	80	56	32007007	14	1	32013104	20	14-53
26034801	102	58~60	32007106	14	2	32015109	28	21
26037200	6	14	32007205	16	73	32015109	60	2
26217604	4	49	32007403	14	71	32015208	60	3
26217604	62	27	32007403	16	71	32015307	60	4
26217604	92	55	32007403	90	20	32015406	60	5
26501502	14	39	32007700	14	8	32015505	60	6
32000507	2	1	32007809	14	9	32015653	60	7-19
32000606	2	2	32007908	14	10	32015802	60	7-19
32000705	2	3	32008005	14	11	32016008	28	1
32000804	2	4	32008104	14	12	32016107	28	2
32000903	6	1	32008203	14	13	32016206	28	4
32001000	2	5	32008302	14	14	32016305	28	5
32001109	6	2	32008401	14	15	32016404	28	12
32001208	2	6	32008559	14	16	32016503	28	6
32001307	2	7	32008658	14	19	32016602	28	13
32001406	6	3	32008906	14	22	32016701	28	14
32001505	6	4	32009003	14	23	32017006	22	1
32001604	2	8	32009102	14	24	32017006	26	1
32001703	2	9	32009201	14	25	32017105	22	2
32001802	2	10	32009300	14	26	32017105	26	2
32002008	2	46	32009409	14	27	32017204	26	3
32002008	92	61	32009508	14	28	32017303	26	4
32002107	2	11	32009607	14	29	32017451	22	5
32002255	12	49	32009706	14	30	32017451	26	5
32002255	86	37	32009805	14	31	32017501	22	6
32002354	6	41	32009904	14	32	32017600	22	7
32002354	86	41	32010001	14	33	32017709	26	6
32002602	2	26	32011504	18	1	32017865	22	8
32002750	6	39	32011603	18	2	32018012	22	10
32002800	6	6	32011702	18	3	32018103	22	28
32003659	6	7	32011801	18	4	32018210	24	49
32003808	4	53	32011900	18	5	32018301	22	12
32003808	92	57	32012007	18	6	32018400	22	13
32004517	10	1-36	32012106	18	7	32018509	22	14
32004608	10	2	32012205	18	8	32018608	22	15
32004707	10	3	32012304	18	9	32018707	22	16
32004806	10	4	32012403	18	10	32018806	22	17
32005209	10	8	32012502	18	11	32018905	22	18
32005605	12	58	32012601	18	12-51	32019002	22	19
32005704	10	45	32012700	18	13-52	32019101	22	20
32005902	10	15	32012809	18	43	32019200	22	21
32006108	10	12	32012809	92	63	32019309	26	7
32006306	10	23	32012908	20	12-51	32019408	22	23

## NUMERICAL INDEX OF PARTS

PART NO	PAGE	REF NO.	PART NO	PAGE	REF NO.	PART NO	PAGE	REF NO.
32019507	22	24	32026007	32	1	32028706	92	78
32019606	26	8	32026106	32	2	32028706	98	67
32019705	24	47	32026205	32	36	32028805	32	47·67·74
32019853	26	9	32026304	32	37	32028805	92	75
32019903	26	10	32026403	32	38	32028854	92	74
32020000	22	3	32026502	32	39	32028912	34	48·68·75
32020109	26	11	32026809	32	7	32028912	92	76
32020257	26	12	32026809	36	1	32029001	90	22
32020406	22	4	32026908	32	8	32029050	90	12
32020505	26	13	32026908	36	2	32029100	90	23
32020703	26	15	32027005	32	9	32029209	34	62
32020802	26	16	32027005	36	3	32029308	34	63
32020919	26	17	32027104	32	10	32029407	92	85
32021008	26	18	32027104	36	4	32029506	92	91
32021206	12	63	32027203	32	40	32029704	34	71
32021206	22	22	32027203	36	5	32029803	34	72·79
32021404	100	45·61	32027401	32	41	32029902	34	73·80
32021552	24	48	32027401	36	6	32031007	36	23
32021859	26	41	32027500	32	42	32031007	90	31
32023004	30	1	32027500	36	7	32031056	90	28
32023103	30	2	32027609	32	31	32031064	90	27
32023210	30	3	32027609	100	33	32031106	36	24
32023319	30	4	32027708	32	32	32031106	90	44
32023400	28	24	32027708	100	34	32031155	90	39
32023400	30	5	32027807	34	72·79	32031205	36	25
32023558	30	6	32027906	34	73·80	32031205	90	32
32023756	30	9	32028003	32	43	32031304	36	26
32023905	30	12	32028003	36	8	32031304	90	34
32024002	30	13	32028102	32	44	32031502	36	27
32024416	94	18	32028102	36	9	32031502	90	45
32024481	94	1	32028201	34	45·65·81	32031601	36	28
32024499	94	16	32028201	90	4	32031601	92	48
32024507	94	19	32028201	98	70	32031700	36	29
32024606	94	20	32028300	34	46·66·82	32031700	90	38
32024713	94	27	32028300	90	5	32031809	36	30
32024804	94	28	32028300	98	69	32031809	90	35
32024903	94	3	32028409	34	47·67·74	32031908	36	31
32024952	94	2	32028409	90	2	32031908	92	50
32025009	94	21	32028458	90	1	32032005	2	47
32025108	94	4	32028516	34	48·68·75	32032005	92	60
32025207	94	5	32028516	90	3	32032054	92	53
32025306	94	6	32028607	32	45·65·81	32032104	36	38
32025405	94	7	32028607	92	77	32032104	90	41
32025504	94	32	32028607	98	68	32032203	36	39
32025603	94	39	32028706	32	46·66·82	32032203	90	42

NUMERICAL INDEX OF PARTS

PART NO	PAGE	REF NO.	PART NO	PAGE	REF NO.	PART NO	PAGE	REF NO.
32034001	38		32041105	54	4	32048605	52	5
32034308	38		32041204	54	8	32048704	52	6
32034407	38		32041303	54	2	32048803	52	7
32034506	38		32041402	54	3	32048902	52	8
32034605	38		32041501	54	16	32049009	52	9
32034704	38		32041600	54	6	32049108	52	10
32034803	38		32041709	54	7	32050551	58	1
32034902	38		32042004	54	10	32050957	58	3
32035008	38		32042103	54	11	32051005	58	2
32035107	38		32042350	54	5	32051203	48	27~30
32035206	38		32042715	54	14·15·38·39-- 41·47·48	32051302	48	27~30
32036501	46					32051401	48	27~30
32036600	46		32042830	54	14·15·38·39-- 41·47·48	32051500	48	27~30
32036709	46		32042830	92	65~73·89·90	32051708	54	42
32036808	46		32042913	92	65~73·89·90	32051708	100	39
32036907	46		32043010	92	65~73·89·90	32052201	58	7
32037004	46		32043135	92	65~73·89·90	32052300	58	8
32037400	42	15·85	32043218	92	65~73·89·90	32052409	58	9
32038051	40		32043325	92	65~73·89·90	32052508	58	10
32038259	40		32043424	54	14·15·38·39-- 41·47·48	32052656	58	11
32038408	40					32052854	58	12
32038507	40		32043424	92	65~73·89·90	32053001	58	13
32038614	40		32043523	54	14·15·38·39-- 41·47·48	32053209	58	15
32038705	40		32043523	92	65~73·89·90	32053209	86	43
32038804	40		32043622	92	65~73·89·90	32053357	58	16
32039109	40					32053357	86	35
32039208	40		32043713	54	14·15·38·39-- 41·47·48	32053407	58	28
32039307	40		32044000	48		32053506	58	4
32039505	40		32044109	48		32053506	62	30
32039604	40		32044208	48	31·32	32054603	62	3
32039703	40	15·85	32044307	48		32054900	62	5
32039802	40	78~82	32044406	48		32054900	86	42
32039802	42	78~82	32044505	48		32055105	62	6
32039901	40		32045809	50		32055204	62	7
32040008	40		32045908	50		32055303	62	8
32040115	40		32046054	50		32055501	62	11
32040206	40		32046302	50		32055600	62	32
32040305	40		32046401	50		32055709	62	33
32040404	42	78~82	32046500	50		32055808	62	34
32040503	42	78~82	32046609	50		32055907	62	35
32040602	42	78~82	32046708	50		32057002	64	1
32040701	42	78~82	32048100	52		32057101	64	6
32040800	40	8·40	32048209	52		32057309	64	3
32040917	42	42·66·83	32048308	52		32057457	64	4
32041055	54		32048506	52		32057655	64	5

# NUMERICAL INDEX OF PARTS

PART NO	PAGE	REF NO.	PART NO	PAGE	REF NO.	PART NO	PAGE	REF NO.
32057804	64		32063703	98	64	32068801	68	63·64
32057903	64		32063802	96	40	32068900	70	9
32058000	64		32063901	96	41	32072001	72	3
32059503	70	24	32064008	96	42	32072118	72	1·2·23
32059602	70	25	32064107	96	43	32072217	72	1·2·23
32059701	66	15	32064206	96	44	32072308	72	10
32059800	66	16	32064305	96	45	32072407	72	1·2·23
32059909	66	17	32064404	96	16	32073504	74	2
32060006	66	18	32064503	96	17	32073603	74	3
32060303	66	19	32064602	96	19	32073702	74	4
32060402	66	20	32064701	96	20	32073801	74	5
32060501	66	21	32064800	96	22	32073900	74	6
32060600	66	22	32064909	96	24	32074106	74	7
32060709	66	23	32065005	96	25	32074759	74	1
32060808	66	24	32065104	96	27	32074908	74	10
32060907	70	1	32065203	96	28	32075301	68	59
32061004	70	2	32065302	96	30	32075400	74	11
32061103	70	3	32065401	96	31	32075509	74	12
32061210	70	4	32065500	70	8·33	32075608	74	13
32061319	70	5	32066805	70	8·33	32076507	6	19
32061400	70	6	32066904	98	62	32076655	6	43
32061558	70	23	32067209	96	47	32076655	86	29
32061715	66	1	32067209	100	26	32076853	2	42
32061806	66	2	32067308	98	48	32076853	86	32
32061913	66	3	32067407	98	49	32076903	2	44
32062101	96	1	32067506	98	50	32077059	38	31
32062200	96	2	32067605	98	51	32077059	86	33
32062309	96	3	32067704	98	52	32077109	38	32
32062408	96	4	32067803	98	53	32077208	38	34
32062507	96	5	32067803	100	27	32077356	68	51
32062606	96	6	32067902	98	54	32077356	86	39
32062705	96	7	32068009	70	7·34	32077406	68	52
32062804	96	8	32068009	98	55	32077505	68	54
32062903	96	46	32068009	102	55	32077653	48	18
32063000	96	9	32068108	98	56	32077653	86	40
32063109	96	10	32068108	100	28	32077703	48	20
32063208	96	11	32068207	70	7·34	32077802	48	23
32063307	96	12	32068207	98	57	32077950	86	34
32063406	96	13	32068207	102	56	32078057	16	67
32063505	96	14	32068306	98	58	32078057	86	31
32063604	68	6·60·62	32068306	100	29	32078107	14	17
32063604	90	6	32068405	98	59	32078206	14	20
32063604	96	39	32068504	98	60	32078354	26	39
32063703	68	6·60·62	32068603	98	61	32078354	86	30
32063703	92	79	32068702	68	63·64	32078503	8	55

# NUMERICAL INDEX OF PARTS

PART NO	PAGE	REF NO.	PART NO	PAGE	REF NO.	PART NO	PAGE	REF NO.
32078552	6	44	40023465	100	35	40099924	40	25
32078651	8	56	40023662	72	5	40099925	40	46
32078800	8	57	40023941	100	36	40099934	74	8
32078909	8	58	40029122	56	14·15·38·39--	40099935	74	41
32079006	8	59			41·47·48	40099936	74	43
32079105	8	60	40029122	92	65~73·89·90	40099937	74	9
32079204	8	61	40029123	56	14·15·38·39--	40099942	54	12
32080707	76	2	40029123	92	41·47·48	40099943	54	13
32080806	76	3	40034923	22	65~73·89·90	40099944	54	9
32080905	76	36	40035024	84	9	40099989	46	23~26
40009163	18	16	40035238	34	16	40099990	46	23~26
40009222	28	8	40035238	98	45·65·81	40099991	46	23~26
40009222	30	18	40035239	34	74	40099992	46	23~26
40010477	62	28	40035239	98	46·66·82	40100085	46	19~22
40011721	62	2	40039176	48	73	40100086	46	19~22
40012051	10	1·36	40039177	48	25·26	40100087	46	19~22
40015684	42	42·66·83	40039843	98	25·26	40100088	46	19~22
40015685	42	41·71	40039844	98	76	40100140	10	6
40015692	40	44	40042767	78	75	40100141	12	71
40015693	40	43	40042767	86	2	40100142	12	61
40015694	42	39·74	40049095	6	16	40100143	10	5
40015996	26	14	40050672	82	5	40100144	12	73
40015997	34	76·77	40050672	88	22	40100145	12	74
40015997	90	11	40051640	78	63	40100146	10	16
40015998	34	76·77	40058951	8	25·63	40100147	12	60
40015998	92	84	40059365	66	63	40100148	12	62
40015999	90	25	40059718	78	25	40100149	10	13
40016000	34	78	40059718	86	3·4	40100150	12	75
40016000	90	83	40059719	78	4~6	40100151	12	66
40016000	92	83	40059719	86	3·4	40100152	12	76
40016045	64	2	40059760	10	4~6	40100153	12	57
40018402	94	17	40066088	2	7	40100154	12	56
40018894	28	3	40066088	92	17	40100157	12	77
40020192	44	94	40085144	44	56	40100158	12	78
40020277	48	31·32	40091928	72	95	40100165	10	9
40020389	58	30	40094560	76	33	40100390	12	59
40020389	62	26	40097980	40	11	40102607	42	88·89
40020390	62	1	40097981	40	12	40102608	42	88·89
40020391	58	14	40097982	42	31	40104361	46	18
40020483	58	5	40097989	44	92·93	40116677	8	64
40021684	86	38	40098641	78	92·93	40131921	14	4
40023425	6	11	40098646	78	6	40131921	90	19
40023426	60	1	40099470	10	7	40131922	16	70
40023464	58	43	40099471	12	10	40131923	14	7
40023465	54	43	40099923	44	69	40131924	14	72
					97			

# NUMERICAL INDEX OF PARTS

PART NO	PAGE	REF NO.	PART NO	PAGE	REF NO.	PART NO	PAGE	REF NO.
40131924	16	72	B4105522000	30	19	CM301300001	6	13
40131924	90	21	B47152100A0	88	49	CM600100101	6	24
40131925	14	3	B47152150A0	72	4	CM600100101	84	12
40131925	90	18	B8101221DA0	76	9	CM600100201	100	38
40131926	16	69	B8111220000	10	19	CQ200000000	74	38
40158930	76	1	B8112220000	10	18	CQ202000000	74	40
40158931	76	38	B8202205000	10	20	CQ252000000	10	22
40164556	84	3	B8210012000	76	32	CQ252200000	74	39
40164557	84	4	B9112012000	102	58~60	CQ303000000	42	91
A1230500000A	48	8	B9113012000	102	58~60	CQ3500000F0	42	87
B1128850000	64	10	B9121012000	10	21	CS0640860SH	30	20
B1135850000	42	50	B91210120A0	100	25	CS0700811SH	46	9
B1140761000	6	17	B9140372000	102	47~53	CS080081BSH	36	33
B1140761000	74	18	B9142372000	102	47~53	CS080081BSH	92	51
B1144210000	6	12	BME01100000	82	8~13	CS080081CSH	30	21
B1150490000	2	33	BME01110000	82	8~13	CS0800881TP	12	80
B1211280000	42	51	BME01120000	82	8~13	CS100081CSP	42	53
B1212210D00	48	9	BME01220000	82	23~29	CS100081CSP	58	18
B1223771000	10	47	BME01230000	82	23~29	CS100101DSH	14	40
B1503771000	60	10	BME01240000	82	23~29	CS1201010SH	38	13
B1513210000	58	44	BME03200000	82	8~13	CS1201010SH	42	54
B1618804000	58	29	BME03220000	82	23~29	CS1201010SH	50	11
B1633210D00	52	15	BME03240000	82	23~29	D2112555B00	18	47
B1643470000	42	52	BME03400000	82	23~29	D2112555B00	74	19
B1651210000	26	20	BME03415000	82	23~29	D2522232D00	26	21
B1658506E00A	54	27	BP300000100	74	36	D2587L8WB00	18	19
B1707555000	14	36	BP500000000	74	37	D2588L8WB00	18	20
B1816280000	38	12	BT0320201EB	62	4	D2611555B00A	18	45
B1821210D00	42	86	BT0320201EB	94	31	D8204555D00	76	10
B1821210D00	74	14	BT0400251EB	70	12	D8204555D00	80	48
B1906581000	54	17	BT0400251EB	72	6	E1902172000	14	41
B2313180000	54	44	BT0600401EB	72	37	E2193172000	10	24
B2313180000	100	40	BT1200801EF	66	7	E5541172000	14	43
B242328000C	60	20	BT1200801EF	92	86	EA9500B0100	2	13
B2440210D00	18	17	CM100300001	8	62	EA9500B0100	8	52
B2609280000	18	18	CM200100001	82	30	EA9500B0100	72	9
B3107352000	64	23	CM300100001	80	54	EA9500B0100	74	21
B3108352000	64	24	CM300100004	6	18	EA9500B0100	94	40
B3126012000	64	26	CM300100101	80	53	EA9500B0200	68	65
B3129012A00	64	27	CM300200001	6	25	G1002007000	84	13
B3501210000	74	15	CM300200001	10	11	G1216870000	46	10
B3509210000	18	46	CM300200001	70	39	G5103162000	66	26
B3518280000	74	16	CM300200002	6	15	G5314161000	2	14
B3529226000	74	17	CM300200003	6	21	G5618830000	6	16
B3538112000	70	11	CM300200003	12	68	G5705880000	66	27



# NUMERICAL INDEX OF PARTS

PART NO	PAGE	REF NO.	PART NO	PAGE	REF NO.	PART NO	PAGE	REF NO.
G6264870000	10	25	HX004100000	78	19	M8601620AA0	78	1
GCT02905000	102	47~53	J106600000C	102	47~53	M8601620AA0	86	15
GCT02906000	102	47~53	J106600000D	102	47~53	M86026200A0	12	52
GEB03653000	100	32	KM000000300	70	26	M86026200A0	88	56
HA00303000A	88	60·61	KM000000300	86	47	M86036200A0	86	26
HA004250000	78	23	KM000000310	14	34	M86046200A0	86	27
HA004250000	88	60·61	KM000000310	86	45	M8901620AA0	78	10·11
HF001301000	78	45·46	KM000000320	14	35	M8901620AA0	86	7·18
HF0084063P0	78	45·46	KM000000320	86	44	M8901620BA0	78	10·11
HK026650080	78	14	KM000000330	38	11	M8901620BA0	86	7·18
HK026650080	86	12~14	KM000000330	86	46	M90016200A0	82	15
HK054250040	78	15	KM000000340	46	1	M90016200A0	88	58
HK054250040	86	12~14	KM000000340	88	48	M90026200A0	82	16
HM000860010	78	13	M1002620000	80	49	M90026200A0	86	21
HN001490000	82	36	M1003590000	78	8	M90036200A0	82	17
HN002460000	82	35	M1010600000	84	8	M90036200A0	86	22
HX00065000A	68	58	M1011580000	84	11	M90046200A0	82	21
HX00065000A	76	12	M1031580000	84	10	M90046200A0	88	50
HX00065000A	82	32	M10315800A0	84	9	M90076200A0	78	22
HX00094000A	74	22	M2001600000	84	14	M90076200A0	86	8
HX00123000B	78	21	M3001620000	84	5·6	M90106200A0	82	18
HX001350000	76	33	M3002620000	84	5·6	M90106200A0	86	23
HX00147000C	78	16	M300359000A	80	60·61	M90116200A0	82	19
HX00150000A	2	15	M3003620000	80	60·61	M90116200A0	86	20
HX00150000A	10	26	M300451100A	78	44·47	M90136200A0	82	20
HX00150000A	58	26	M3009510000	78	36	M90136200A0	86	19
HX00150000A	62	12	M3011620000	80	44·47	M90146200A0	82	33
HX00150000C	2	16	M8501620AA0	86	1~3	M90146200A0	86	28
HX00150000C	74	24	M8501620BA0	86	1~3	M90156200A0A	72	24
HX00150000F	76	34	M8501620CA0	86	1~3	M90156200A0A	88	57
HX00150000F	92	87	M85046200A0	78	42·43	M90175800A0	82	1
HX00150000H	76	22	M8510620AA0	84	1·2	M90175800A0	88	51~55
HX00150000J	2	18	M8510620AA0	86	24·25	M90206200A0	86	36
HX00150000J	6	26	M8510620BA0	84	1·2	M90216200A0	84	7
HX00150000J	10	28	M8510620BA0	86	24·25	M90216200A0	88	59
HX00150000M	10	27	M85125810A0	82	31	M90226200A0	80	51
HX00150000N	76	14	M85216000A0	78	39	M90226200A0	86	17
HX00188000A	10	29	M85216000A0	86	10·11	M90236200A0	80	52
HX002330000	72	11	M85236000A0	78	5	M90236200A0	86	10·11
HX003260000	10	30	M85236000A0	88	64	M90245800A0	82	4
HX00326000B	2	19	M85405900A0	78	12	M90245800A0	88	51~55
HX00326000F	2	20	M85405900A0	86	9	M9024620000	94	33
HX003390000	12	53	M85905130AA	82	14	M90285800A0	82	3
HX00364000E	72	12	M85905130AA	88	62	M90285800A0	88	51~55
HX004070000	78	18	M8599600AA0	78	42·43	M90345800A0	82	5

# NUMERICAL INDEX OF PARTS

PART NO	PAGE	REF NO.	PART NO	PAGE	REF NO.	PART NO	PAGE	REF NO.
M90345800A0	88	51~55	NS6110310SP	26	22	PS0200162KH	62	39
M90355800A0	82	2	NS6110310SP	64	11	PS0250062KH	94	29
M90355800A0	88	51~55	NS6150310SP	4	52	PS0300182KH	66	30
MAI17001000	102	47~53	NS6150430SP	64	28	PS0400142KH	48	10
MAO11108N00	76	16	NS6660430SP	18	23	PS0400162KP	4	50
MAO11532000	80	62	NS6660430SP	46	11	PS0800162KP	10	33
MC185801000	54	28·29·40	PA040030100	94	24	PV010015000	72	27
MC185801002	100	43·44·54	PA1001501A0	64	12	PV150209100	94	42
MC185801100	54	28·29·40	PA1001529A0	62	14	PX050003000	72	26
MC185801102	100	43·44·54	PA100153200	94	10	PX500014000	72	16·25·28
MC185801200	54	28·29·40	PA1601525A0	18	24	PX500020000	18	27
MC185801202	102	43·44·54	PA1601525A0	30	27	PX500020000	30	30
MDFRX2001L0	100	24	PA1602011A0	32	51	PX500020000	32	53
MTJMS00000S	76	17	PA1602011A0	34	51	PX500020000	34	53
NM3040520SF	78	38	PA1602011A0	36	13	PX500020000	36	15
NM6020001SC	22	26	PA900034000	64	13	PX5000290A0	18	28
NM6030003SC	6	23	PC010522000	94	34	PX950001000	72	35
NM6030003SC	30	22	PC012401000	62	31	RC0100001KP	46	12
NM6040000SN	10	31	PC012401000	72	14·29·31	RC0470611KP	32	54
NM6040000SN	30	23	PF070501000	94	35	RC0470611KP	34	54
NM6040000SN	58	32	PH0400105S0	38	15	RC0470611KP	36	34
NM6040000SN	62	13	PJ032039002	94	11	RC0470611KP	90	30
NM6040001SC	28	28	PJ032052503	18	25	RC0740811KP	36	35
NM6040003SC	28	27	PJ032052503	66	8	RC0740811KP	92	49
NM6040003SC	30	24	PJ046039002	62	36	RC0740816K0	38	16
NM6040003SC	68	50	PJ046039002	94	25	RC1200001KP	48	11
NM6050001SC	10	65	PJ046052501	64	14	RC1850001KP	66	31
NM6050001SC	12	65	PJ046052501	70	13	RC1951211KP	14	44
NM6050001SE	100	13	PJ046052503	18	26	RC2791218KP	46	13
NM6050001SP	18	21	PJ046052503	22	27	RE0200000K0	94	22
NM6050001SP	30	25	PJ046052503	26	23	RE0400000K0	28	16
NM6050001SP	74	30	PJ046052503	30	28	RE0400000K0	30	31
NM6050003SC	38	14	PJ046052503	32	52	RE0400000K0	58	27
NM6050003SC	42	56	PJ046052503	34	52	RE0400000KP	4	57
NM6060001SC	76	31	PJ046052503	36	14	RE0400000KP	92	54
NM6060001SE	80	57	PJ046052503	62	15	RE0900000K0	14	47
NM6060003SC	42	58	PJ210203100	94	37	RO037180100	94	13
NM6060003SC	58	19	PJ303030001	62	38	RO297350100	70	14
NM6080721SE	72	13	PJ304030001	94	36	RO455200200	70	15
NM6100001SC	66	28	PJ305065204	72	34	SB108000200	38	17
NM6160511SE	100	12	PJ308040002	72	15·30·32	SB110000400	46	14
NM6610515SC	66	29	PS0150065KP	22	11	SB112000100	48	12
NS6110310SP	4	58	PS0150082KH	94	23	SB112000600	38	18
NS6110310SP	8	54	PS0200052KH	68	61	SB117000700	42	59
NS6110310SP	18	22	PS0200162KH	58	24	SB120000200	66	32

# NUMERICAL INDEX OF PARTS

PART NO	PAGE	REF NO.	PART NO	PAGE	REF NO.	PART NO	PAGE	REF NO.
SB12000900	66	33	SL4031481SC	10	34	SL9082093SE	72	21
SB33500020A	50	12~16	SL4040681SC	78	30	SM0030301SN	62	21
SB33500020B	50	12~16	SL4040681SC	82	7	SM0030601SC	36	40
SB33500020C	50	12~16	SL4040881SC	6	30	SM0030601SC	74	42
SB33500020D	50	12~16	SL4040881SC	10	54	SM0030601SC	90	47
SB33500020E	50	12~16	SL4040881SC	12	54	SM0040601SC	78	9
SB408000100	16	49	SL4040881SC	20	49	SM1030400SP	22	32
SB412000100	70	27	SL4041081SF	78	28	SM1030400SP	32	70
SB612000100	66	34	SL4041091SC	78	40	SM1030400SP	34	70
SB706000500	94	12	SL4041481SC	10	37	SM1030400SP	36	17
SB812000300	66	35	SL4051091SC	72	20	SM1030400SP	90	82
SD0400161TP	30	32	SL4051091SC	78	29	SM1030400SP	92	82
SD0460182SP	60	11	SL4051291SC	74	35	SM1030601SC	18	44
SD0500131TP	26	24	SL4061291SE	58	33	SM1030601SC	92	64
SD0500456TP	28	17	SL4851481SF	94	30	SM1040801SC	2	23
SD0500721SP	22	29	SL4860891SC	82	6	SM1040801SC	80	50
SD0500721SP	26	25	SL6030692TN	8	49	SM1040801SP	18	34
SD0550212TP	22	30	SL6031692TN	12	50	SM1041001SN	2	25
SD0550212TP	26	26	SL6040892TN	2	22	SM1041001SN	22	33
SD0600271SP	6	27	SL6040892TN	6	42	SM1041001SN	26	29
SD0600311TP	26	27	SL6040892TN	10	38	SM1041001SP	32	56
SD0601021SP	6	45	SL6040892TN	58	38	SM1041001SP	34	56
SD0630275SP	64	15	SL6040892TN	74	44	SM1041001SP	36	18
SD0640231SP	6	46	SL6041092TN	2	38	SM1041001SP	90	46
SD0640321TP	18	29	SL6041092TN	6	28	SM1044050SM	78	37
SD0640324TP	18	30	SL6041092TN	10	40	SM1102552TT	10	17
SD0640326TP	18	31	SL6041092TN	14	18	SM1103552TT	10	44
SD0640326TP	60	12	SL6041092TN	58	39	SM3065052TC	80	58
SD0640381TP	26	28	SL6041092TN	62	19	SM4020401SC	22	34
SD0640801TP	60	13	SL6041092TN	64	16	SM4020601SC	22	35
SD0790311TP	18	32	SL6041092TN	70	16	SM4020601SC	26	30
SD0801501TP	52	16	SL6041092TN	74	27	SM4030455SN	28	18
SK1272001SE	76	35	SL6041092TN	92	88	SM4030455SN	30	33
SK3311601SE	76	20	SL6051092TN	16	50	SM4030501SC	6	47
SK3382001SE	76	23	SL6051092TN	62	20	SM4030501SN	22	37
SK3412001SE	76	37	SL6051092TN	66	36	SM4031851SR	78	31
SK3413201SE	84	17	SL6051092TN	74	28	SM4040501SN	12	70
SK3452001SE	72	36	SL6051292TN	6	50	SM4040655SP	6	34
SK3512001SE	78	24	SL6051292TN	8	50	SM4040855SP	42	60
SK3512001SF	82	34	SL6052592TN	46	15	SM4041055SP	16	51
SL4021091SC	8	48	SL6061292TN	64	18	SM4041455SN	16	52
SL4030631SC	58	45	SL6061492TN	10	42	SM4041655SP	16	53
SL4030891SC	78	27	SL6062092TN	46	16	SM4042055SP	16	54
SL4031041SC	48	19	SL6062592TN	10	41	SM4051055SP	70	28
SL4031081SC	58	6	SL6083092TN	10	43	SM4051405SE	100	9

# NUMERICAL INDEX OF PARTS

PART NO	PAGE	REF NO.	PART NO	PAGE	REF NO.	PART NO	PAGE	REF NO.
SM4860801SC	2	43	SM6041202TP	38	19	SM8041402TP	28	23
SM4860801SC	16	68	SM6041202TP	66	10	SM8050412TP	36	37
SM5030655SP	94	14	SM6041402TP	42	61	SM8050412TP	90	52
SM5040855SN	18	35	SM6041402TP	54	32	SM8050412TP	92	52
SM5040855SN	36	36	SM6041602TP	38	20	SM8050502TP	42	72
SM5040855SN	90	33	SM6041602TP	42	68	SM8050502TP	54	36
SM6020402TN	94	26	SM6041602TP	68	49	SM8050512TP	12	72
SM6020450TP	22	39	SM6041802TP	54	33	SM8050612TP	30	39
SM6030402TN	6	33	SM6042502TN	58	46	SM8050612TP	50	18
SM6030402TP	66	9	SM6050802TP	12	64	SM8050812TP	58	40
SM6030402TP	70	36	SM6051002TN	32	59	SM8052502TP	30	40
SM6030502TN	62	22	SM6051002TN	34	59	SM8060602TP	16	58
SM6030602TP	54	30	SM6051002TN	36	21	SM8060602TP	66	66
SM6030602TP	58	35	SM6051002TN	90	40	SM8060602TP	68	66
SM6030602TP	60	15	SM6051002TP	16	55	SM8060602TP	70	30
SM6030602TP	62	37	SM6051202TP	38	21	SM8060612TP	46	17
SM6030802TN	22	40	SM6051202TP	66	11	SM8060812TP	12	79
SM6030802TN	70	17	SM6051602TP	66	37	SM8060812TP	16	61
SM6030802TP	42	63	SM6051602TP	70	29	SM8060812TP	38	23
SM6030802TP	62	23	SM6054552TN	18	36	SM8060812TP	42	73
SM6031002TP	38	35	SM6060802TP	66	38	SM8060812TP	46	3
SM6031202TP	54	31	SM6061002TP	74	31	SM8060812TP	48	16
SM6031602TP	62	24	SM6061202TP	30	35	SM8060812TP	50	20
SM6040502TP	22	38	SM6061610SC	100	4	SM8060812TP	52	17
SM6040502TP	74	29	SM6062002TN	16	56	SM8060812TP	58	20
SM6040602TN	14	45	SM6062002TN	70	20	SM8061002TP	10	46
SM6040602TP	64	20	SM6062002TP	66	39	SM8061212TP	16	63
SM6040602TP	68	55	SM6082502TN	76	24	SM8430550TP	54	34
SM6040602TP	70	18	SM6088502TP	76	42	SS1110840SP	2	29
SM6040802TP	28	19	SM6850502TN	42	69	SS4110715SP	74	33
SM6040802TP	30	34	SM6850600SP	42	70	SS4120615SP	74	34
SM6040802TP	32	57	SM8030412TP	42	62	SS4121215SP	2	31
SM6040802TP	34	57	SM8030412TP	62	29	SS5080212TP	26	32
SM6040802TP	36	19	SM8030502TP	30	36	SS5090420SP	22	42
SM6040802TP	42	64	SM8030602TP	66	13	SS5090610SP	32	64
SM6040802TP	48	21	SM8040412TP	28	20	SS5090610SP	34	64
SM6041002TP	22	41	SM8040412TP	30	37	SS5090610SP	36	16
SM6041002TP	26	31	SM8040412TP	50	17	SS5090610SP	90	43
SM6041002TP	42	96	SM8040612TP	32	60	SS6110480SL	6	35
SM6041002TP	44	96	SM8040612TP	34	60	SS6110480SP	14	21
SM6041202TN	64	17	SM8040612TP	54	35	SS6110480SP	26	34
SM6041202TN	70	19	SM8040612TP	60	18	SS6110480SP	94	41
SM6041202TP	32	58	SM8040802TP	28	10	SS6110520TP	26	35
SM6041202TP	34	58	SM8041012TP	28	22	SS6110610TP	38	24
SM6041202TP	36	20	SM8041012TP	30	38	SS6110610TP	48	3

NUMERICAL INDEX OF PARTS

PART NO	PAGE	REF NO.	PART NO	PAGE	REF NO.	PART NO	PAGE	REF NO.
SS6110610TP	54	37	WP0320501SC	60	17	WP0621046SP	30	10
SS6110610TP	64	21	WP0320501SC	62	25	WP0641600SC	58	23
SS6121010SP	6	36	WP0371036SD	30	26	WP0641601SC	70	22
SS7110510SP	18	37	WP0410846SC	12	51	WP0641601SC	76	25
SS7110510SP	38	33	WP0410846SC	42	47	WP0642016SD	66	47
SS7110570SP	18	38	WP0430800SD	28	25	WP0651001SC	80	59
SS7110710SP	40	26	WP0430800SD	38	26	WP0651056SH	30	11
SS7110710SP	58	41	WP0430801SC	22	45	WP0820516SP	38	30
SS7110830SP	2	45	WP0430801SC	48	24	WP0850002SP	76	30
SS7110840SP	16	64	WP0430801SC	62	10	WP0852086SC	76	41
SS7110840SP	18	39	WP0430801SC	68	56	WP0871602SE	72	22
SS7110840SP	22	43	WP0430801SC	70	21	WP1221016SP	2	41
SS7110840SP	26	36	WP0450000SD	58	22	WP1252210SC	68	48
SS7110840SP	58	21	WP0450801SD	6	38	WP1612616SE	100	14
SS7110840SP	64	22	WP0450801SP	22	46	WS0310702KS	78	32
SS7110840SP	68	53	WP0450801SP	26	40	WS0510002KN	100	22
SS7111120TP	38	25	WP0450801SP	28	26	WS0610002KN	76	27
SS8110422TP	48	17	WP0450801SP	30	41	WS0610002KN	78	17
SS8110422TP	52	18	WP0450801SP	64	29	WS1643202KR	100	21
SS8110422TP	60	16	WP0450846SP	16	66	WZ0320290UZ	32	61
SS8110750SP	52	19	WP0450846SP	18	40	WZ0320290UZ	34	61
SS8153010SR	4	51	WP0450846SP	58	47	WZ0320290UZ	36	22
SS8660330SP	70	38	WP0480856SP	8	53	WZ0320290UZ	90	81
SS8660512TP	12	55	WP0480856SP	48	22	WZ0320290UZ	92	81
SS8660610TP	52	20	WP0480856SP	60	9	WZ0620290KP	4	55
SS8660612TP	52	21	WP0480856SP	74	20	WZ0620290KP	92	59
SS8701042TP	66	42	WP0501016SC	84	18	WZ0620550KP	6	40
SS8701782TP	66	44	WP0531000SC	12	81	WZ0880200KP	26	38
SS9091010SP	30	42	WP0531000SC	42	76			
ST4031051SN	84	15	WP0531000SD	66	45			
TA0750404R0	22	44	WP0531000SD	70	32			
TA0800501R0	2	34	WP0550800SP	4	56			
TA0850604R0	2	35	WP0550800SP	18	41			
TA0950806R0	2	36	WP0550800SP	38	29			
TA1050504R0	2	37	WP0550800SP	92	58			
TA1250406R0	2	39	WP0550836SC	78	41			
TA1470704R0	2	40	WP0551016SH	38	37			
WP0280501SC	42	84	WP0553216SD	18	42			
WP0320500SC	26	37	WP0553216SD	30	7			
WP0320500SC	28	11	WP0560860SE	20	50			
WP0320500SC	30	16	WP0561616SC	38	28			
WP0320500SD	66	14	WP0611626SP	52	22			
WP0320500SD	70	37	WP0612516SD	30	8			
WP0320501SC	6	37	WP0621016SH	42	77			
WP0320501SC	38	36	WP0621016SH	66	46			