

MODEL : MF-3620 (機/Machine number:~2M4DM00001)

List No : 1520-01

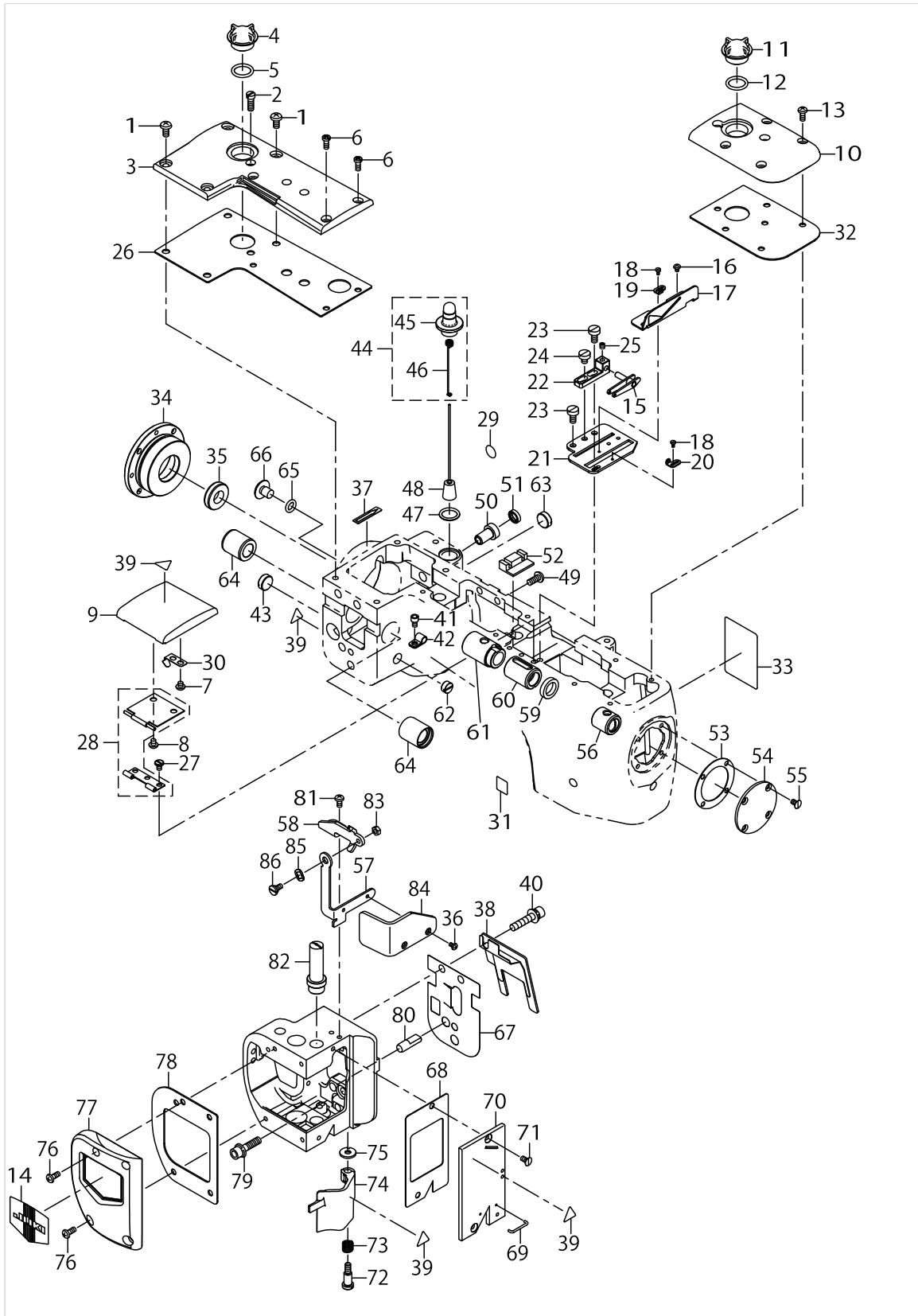
PARTS LIST

Published:09/10/2017

CONTENTS

FRAME EXCLUSIVE COMPONENTS (1).....	1
FRAME EXCLUSIVE COMPONENTS (2).....	5
FEED MECHANISM COMPONENTS.....	9
LOOPER COMPONENTS.....	13
HAND LIFTER COMPONENTS.....	15
HAND LIFTER ASM. COMPONENTS.....	17
MAIN SHAFT & DIRECT DRIVE UNIT COMPONENTS.....	21
NEEDLE BAR & KNIFE DRIVE COMPONENTS.....	25
THREAD TENSION COMPONENTS.....	29
OIL LUBRICATION COMPONENTS.....	33
THREAD STAND COMPONENTS.....	35
ACCESSORIE PARTS COMPONENTS.....	37
PRESSER LIFTER SET (OPTION).....	41
CHAIN OFF THREAD TRIMMER SET (OPTION).....	43
CLOTH CHIP SUCTION SET (OPTION).....	45
LIST FOR INFORMATION OF CHANGE (1).....	47
LIST FOR INFORMATION OF CHANGE (2).....	48
HOW TO MAKE USE OF THIS PARTS LIST.....	49

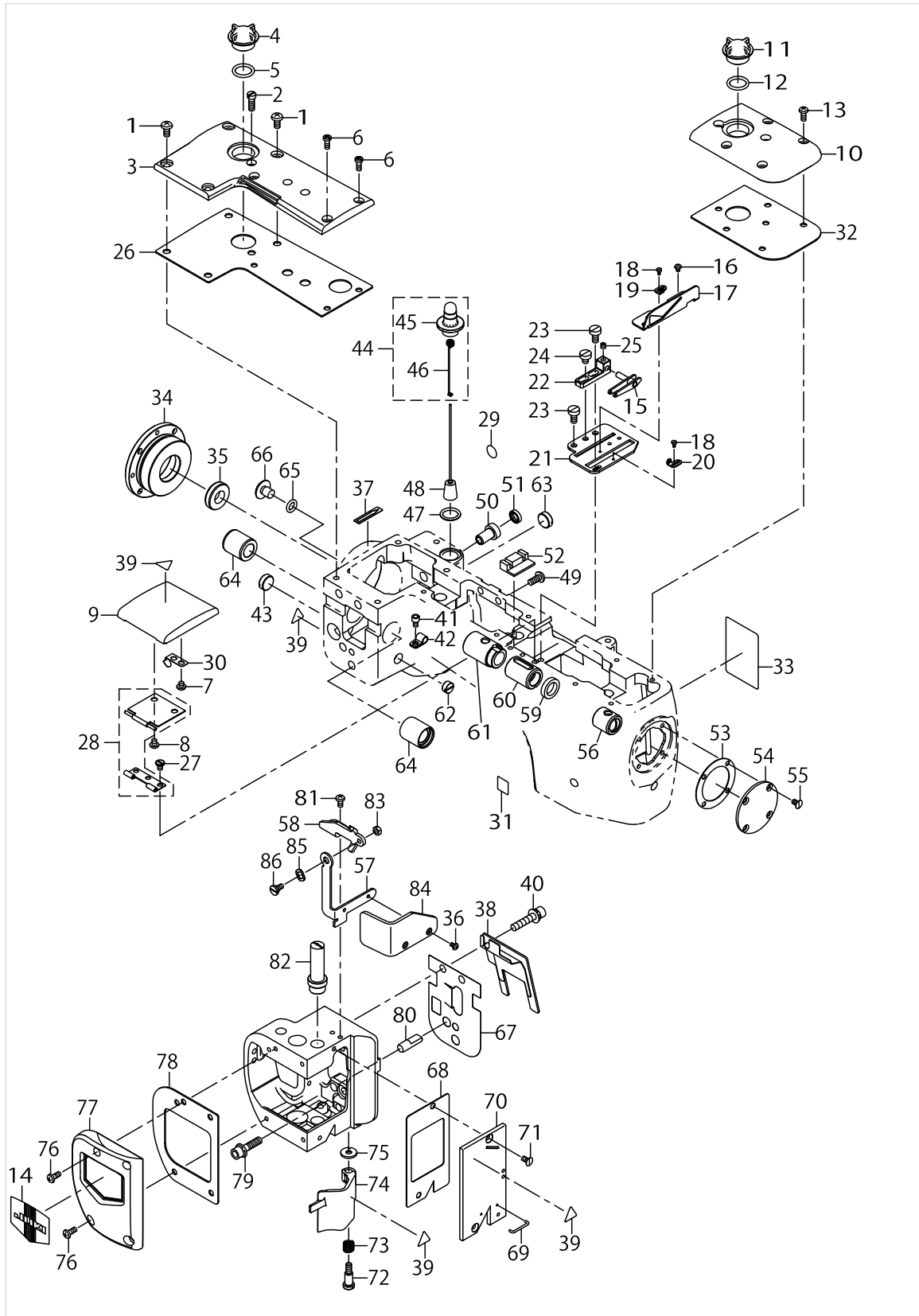
FRAME EXCLUSIVE COMPONENTS (1)



FRAME EXCLUSIVE COMPONENTS (1)

No.	Parts No.	Parts name	Remarks	Level	Cons	Qty
1	SM4051055SP	SCREW				4
2	SM6051450TP	SCREW M5 L=14				1
3	40074736	TOP_COVER_A_COATING				1
4	22924708	OIL SIGHT WINDOW				1
5	RO148240200	RUBBER RING				1
6	SM4041055SP	SCREW				3
7	SM4040455SP	SCREW				2
8	SM4040555SP	SCREW				2
9	40074737	TOP_COVER_B_COATING				1
10	40074738	TOP_COVER_C_COATING				1
11	22924708	OIL SIGHT WINDOW				1
12	RO148240200	RUBBER RING				1
13	SM4041055SP	SCREW				6
14	22902506	FACE PLATE				1
15	40074306	COVER_THREAD_TAKE_UP_EYELET				1
16	SM4030455SN	SCREW				2
17	40074310	CAST_OFF				1
18	SM6020460TP	SCREW				2
19	40074311	CAST_OFF_EYELET_REAR				1
20	40074312	CAST_OFF_EYELET_FRONT				1
21	40074313	CAST_OFF_PLATE				1
22	40074314	TAKE_UP_EYELET HOLDER				1
23	SM6051000SP	SCREW				2
24	SM6050610SC	SCREW M5X0.8 L=6				1
25	SM8040412TP	SET SCREW M4 L=4				1
26	40074723	TOP_COVER_A_GASKET				1
27	SM6040650TP	SCREW				3
28	40074724	TOP_COVER_B_HINGE_ASSY				1
29	22901805	GROUND MARK				1
30	40074728	HINGE_STOPPER_SPRING				1
31	CM600100101	WEEE MARK LABEL S				1
32	40074729	TOP_COVER_C_GASKET				1
33	CM301200001	SAFETY LABEL_S				1
34	40074549	CRANKSHAFT_BUSHING_HOUSING				1
35	40066883	LIP SEAL				1
36	SM4030455SN	SCREW				2
37	CM500300001	DIRECTION LABEL				1
38	40074443	OIL_SHIELD_ASSY				1
39	CM300200001	ATTENTION SEAL				4
40	SL6063092TN	SCREW M6 L=30				2
41	SM6040600SP	SCREW M4 L=6				1
42	22924302	RETURN PIPE HOLDER				1
43	40070075	PLUG SCREW				1
44	40066871	OIL SIGHT GAUGE ASM.				1
45	40066869	OIL SIGHT GAUGE		*		1
46	40066873	GUIDE WIRE		*		1
47	RO137230100	RUBBER RING				1

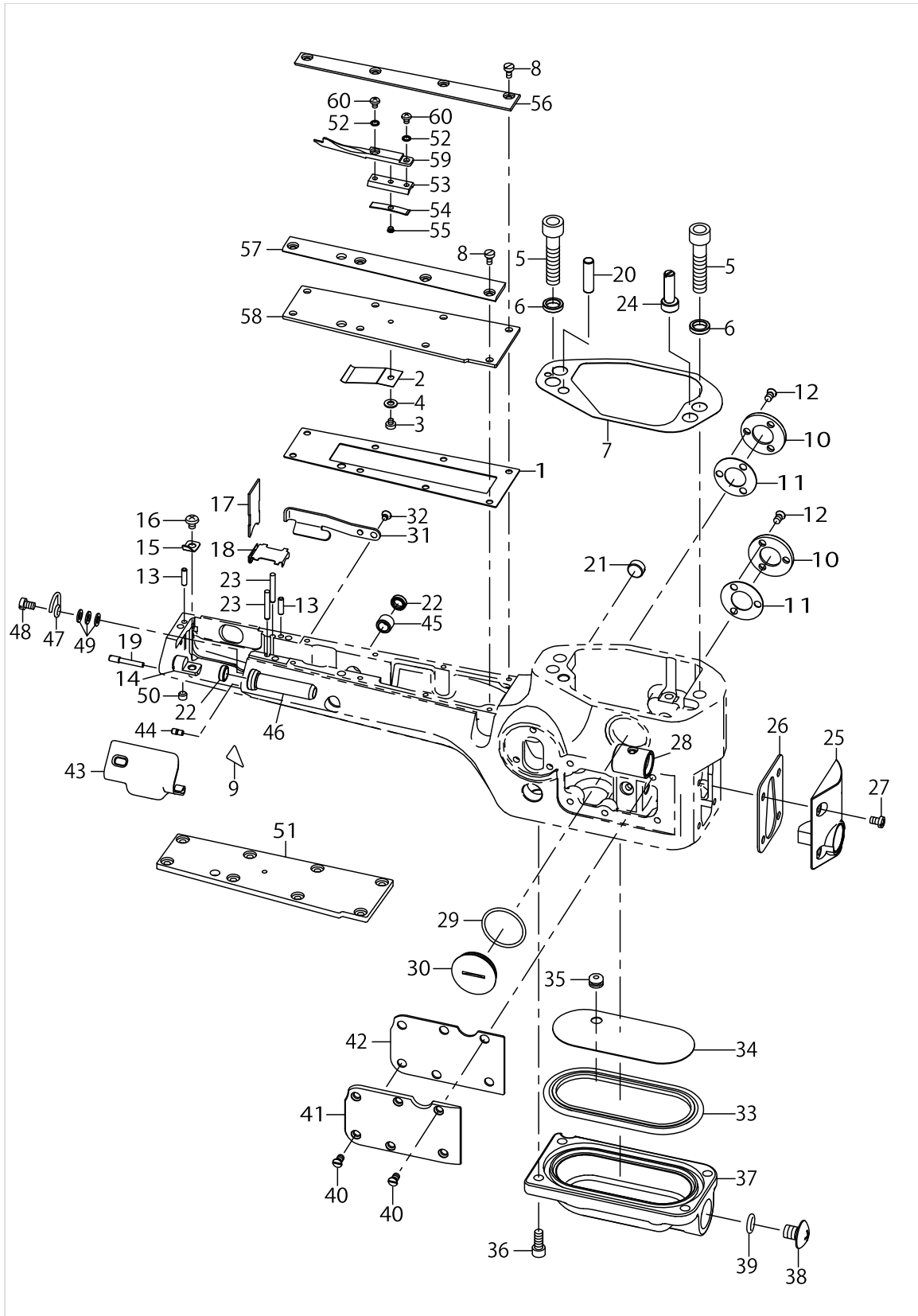
FRAME EXCLUSIVE COMPONENTS (1)



FRAME EXCLUSIVE COMPONENTS (1)

No.	Parts No.	Parts name	Remarks	Level	Cons	Qty
48	40066856	OIL SIGHT GAUGE INDICATOR ASSEMBLY				1
49	SM4051255SP	SCREW.,M5 L=12.				2
50	40074557	LIFTER_BUSHING				1
51	40074433	OIL_SEAL				1
52	40074440	SEAL_LOWER				1
53	40074733	ARM_END_COVER_GASKET				1
54	40074732	ARM_END_COVER_COATING				1
55	SM1040750TP	SCREW M4 L=7				4
56	40066898	MAIN SHAFT BUSHING FRONT				1
57	40074224	THREAD_TAKE_UP_L_G_STUD_A				1
58	40074225	THREAD_TAKE_UP_L_G_STUD_B				1
59	40066897	OIL SEAL				1
60	40074777	MAIN_SHAFT_BUSHING_CENTER				1
61	40066895	CRANK SHAFT BUSHING REAR				1
62	40066892	PLUG SCREW				1
63	40070075	PLUG SCREW				1
64	40074220	NEEDLE_LEVER_SHAFT_BUSH_F				2
65	13170105	RUBBER RING				1
66	13171004	DRAIN SCREW				1
67	40074734	BAFFLE_PLATE				1
68	40074766	HEAD_COVER_FRONT_GASKET				1
69	40074767	HEAD_COVER_FRONT_WIRE				1
70	40074765	HEAD_COVER_FRONT_COATING				1
71	SM1040800SP	SCREW				2
72	SD0701206TP	SHOULDER SCREW D=7 H=12				1
73	40074375	SPRING				1
74	40074376	FRAME_CHIP_GUARD				1
75	40074377	WASHER				1
76	SM4041055SP	SCREW				4
77	40074768	HEAD_COVER_LEFT_COATING				1
78	40074379	GASKET_LEFT_HEAD_COVER				1
79	SL6062592TN	SCREW				1
80	40074735	UNITE_PIN				1
81	SM4040855SP	SCREW				2
82	40074222	NEEDLE_BAR_COVER				1
83	NM6040001SP	NUT M4X0.7				1
84	40074223	THREAD_TAKE_UP_LEVER_GUARD				1
85	WZ0641510KP	WAVED WASHER 6.4X11X0.3				1
86	SD0640246SP	HINGE SCREW D=6.35 H=2.4				1

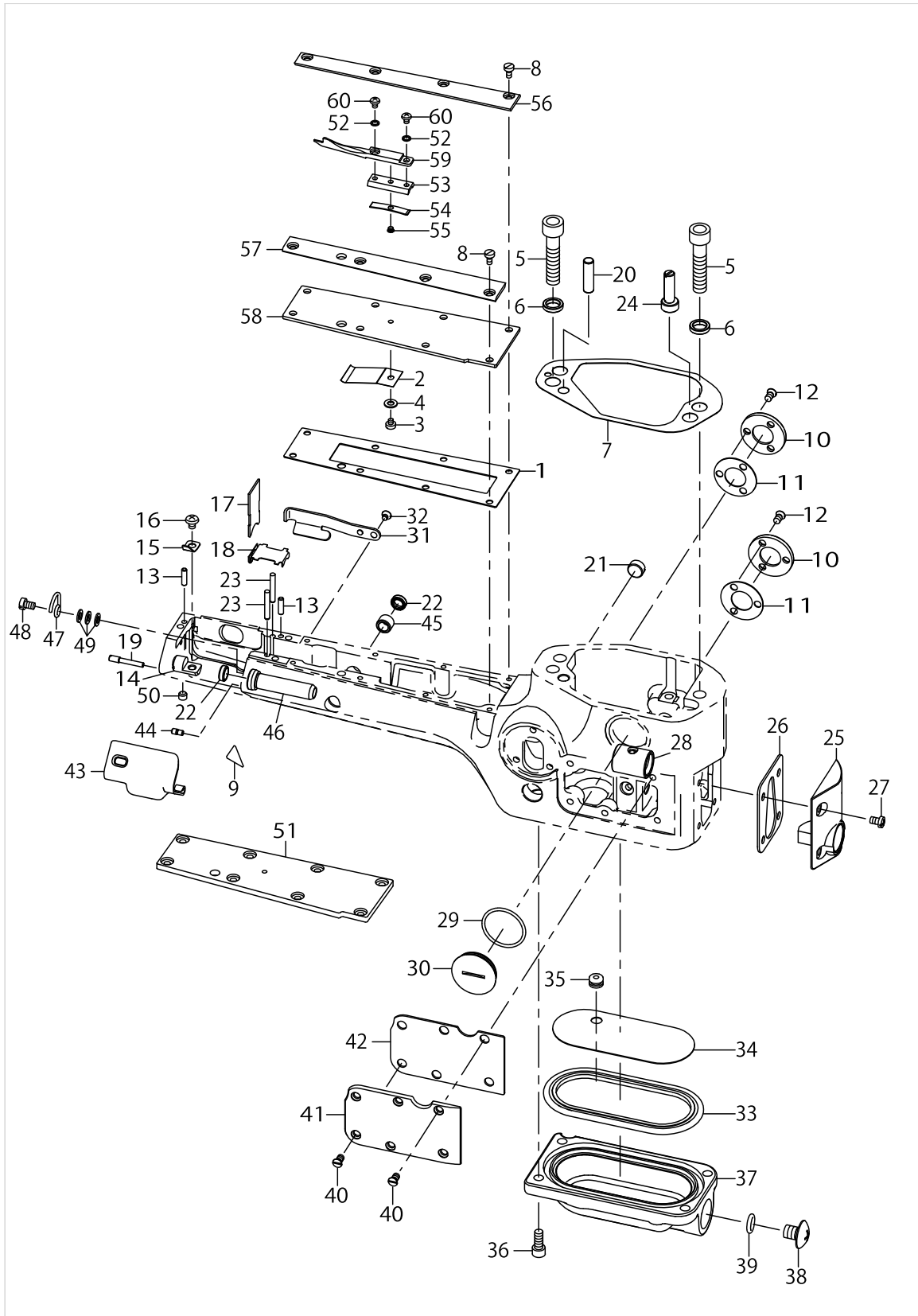
FRAME EXCLUSIVE COMPONENTS (2)



FRAME EXCLUSIVE COMPONENTS (2)

No.	Parts No.	Parts name	Remarks	Level	Cons	Qty
1	40074229	CYLINDER_COVER_GASKET				1
2	40074484	UPPER_LINT_SHIELD				1
3	SM6030350SN	SCREW M3 L=2.5				1
4	WP0410846SC	WASHER				1
5	SM6083852TP	SCREW M8 L=38				3
6	40066902	WASHER				3
7	40074231	ARM_CYLINDER_UNITE_GASKET				1
8	SM6030650TP	SCREW				8
9	CM300200001	ATTENTION SEAL				1
10	40074263	FEED_DRIVE_SHAFT_COVER_COATING				2
11	40074246	FEED_DRIVE_SHAFT_COVER_GASKET				2
12	SM1040750TP	SCREW M4 L=7				6
13	40074234	DOWEL_PIN				2
14	40074235	CYLINDER_HINGED_SPRING_STUD				1
15	40074236	CYLINDER_HINGED_SPRING				1
16	SM4040501SN	SCREW M4X0.7 L=5				1
17	40074237	LOWER_LINT_SHIELD				1
18	40074238	LOWER_LINT_SHIELD_STUD				1
19	40074244	SCREW_PIN				1
20	40066918	DOWEL PIN STRAIGHT				1
21	40066892	PLUG SCREW				1
22	40066968	OIL SEAL FOR 35850G				2
23	40074264	FEED_BAR_SIDE_OIL_SHIELD				2
24	40066919	ECCENTRIC PIN				1
25	40074239	CYLINDER_FRONT_COVER_ASSY				1
26	40074240	CYLINDER_FRONT_COVER_GASKET				1
27	SM4040655SP	SCREW M4 L=6				4
28	40067003	LOOPER SHAFT BUSHING FRONT				1
29	40066928	O RING				1
30	40066929	PLUG SCREW				1
31	40074247	LOOPER_COVER				1
32	SM1030400SP	SCREW M3 L=4				1
33	40067059	GASKET				1
34	40067058	SCREEN				1
35	40067056	O RING				1
36	SM6051202TP	SCREW M5X0.8 L=12				4
37	40074277	OIL_RESERVOIR_COATING				1
38	13171004	DRAIN SCREW				1
39	13170105	RUBBER RING				1
40	SM1040750TP	SCREW M4 L=7				6
41	40074262	CYLINDER_SIDE_COVER_COATING				1
42	40074242	CYLINDER_SIDE_COVER_GASKET				1
43	40074243	CYLINDER_HINGED_COVER				1
44	40066909	PIN				1
45	40067014	BUSHING FOR FEED BAR ECCENTRIC STUD				1
46	40074259	LOOPER_SHAFT_BUSHING_REAR				1
47	40074248	LOOPER_THREAD_GUIDE_WIRE				1

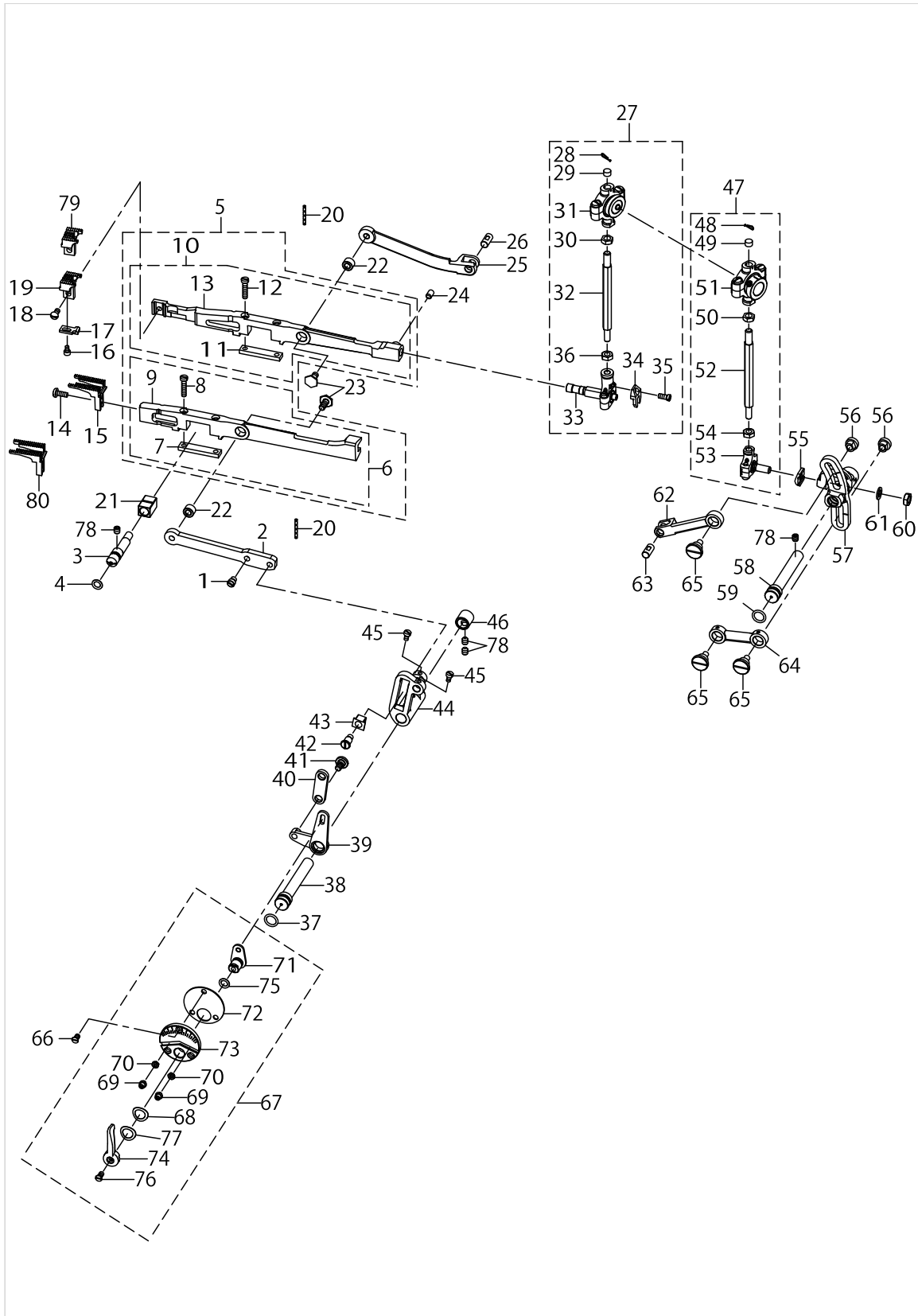
FRAME EXCLUSIVE COMPONENTS (2)



FRAME EXCLUSIVE COMPONENTS (2)

No.	Parts No.	Parts name	Remarks	Level	Cons	Qty
48	SM6040800SP	SCREW				1
49	WP0430800SC	WASHER M4				3
50	SM8050412TP	SCREW M5 L=4				1
51	40074485	CYLINDER_COVER_FOR_ONE_SIDE_CUT	FOR ONE SIDE CUT			1
52	WP0360516SD	WASHER M3	FOR BOTH SIDE CUT			2
53	40074481	LAP_FORMER_SLIDE_BLOCK	FOR BOTH SIDE CUT			1
54	40074482	LAP_FORMER_SPRING	FOR BOTH SIDE CUT			1
55	40074483	SCREW	FOR BOTH SIDE CUT			1
56	40074226	GIB_RIGHT	FOR BOTH SIDE CUT			1
57	40074227	GIB_LEFT	FOR BOTH SIDE CUT			1
58	40074228	CYLINDER_COVER	FOR BOTH SIDE CUT			1
59	40074480	LAP_FORMER	FOR BOTH SIDE CUT			1
60	SM4030455SN	SCREW	FOR BOTH SIDE CUT			2

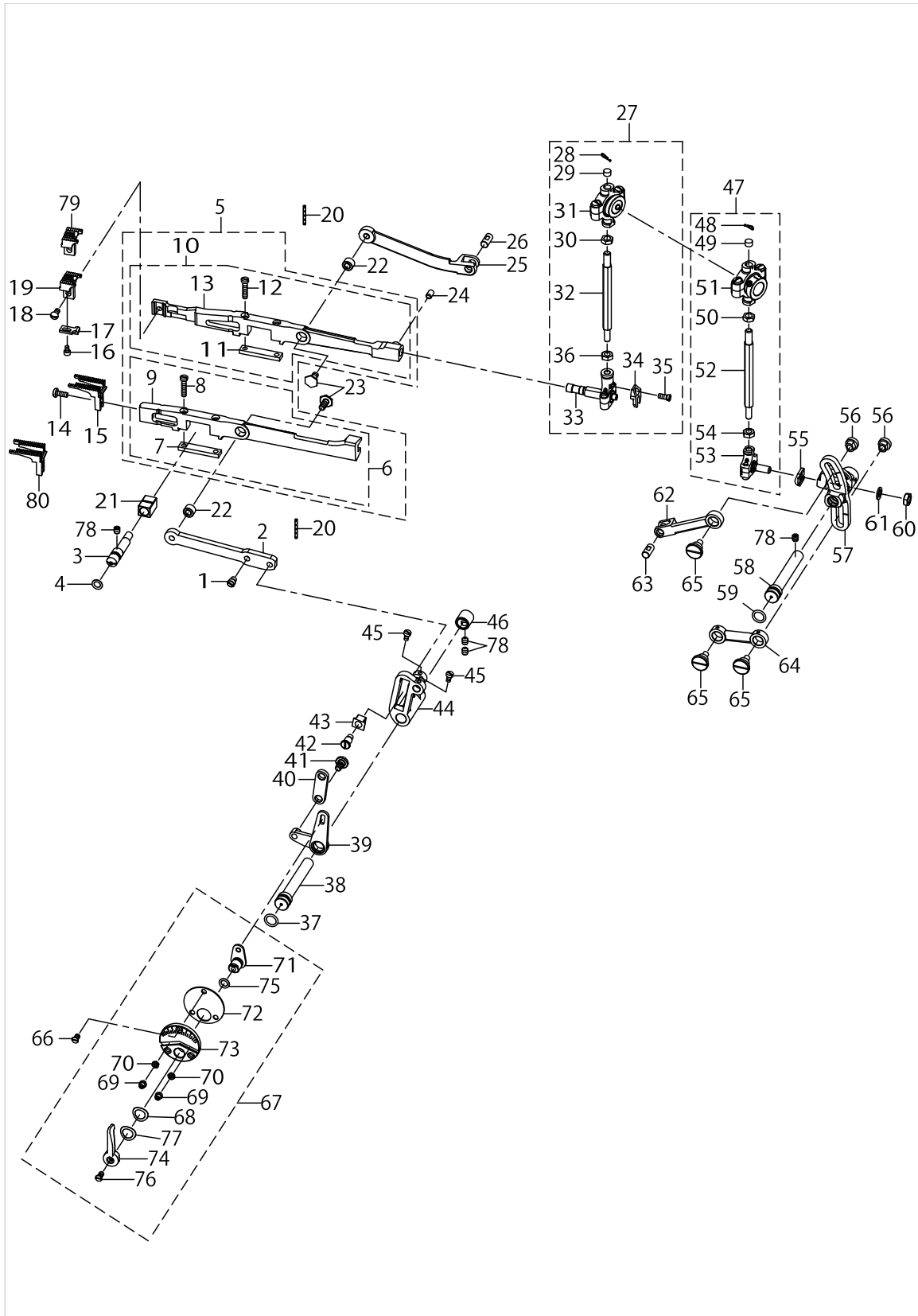
FEED MECHANISM COMPONENTS



FEED MECHANISM COMPONENTS

No.	Parts No.	Parts name	Remarks	Level	Cons	Qty
1	40070191	SCREW				1
2	40074658	DIFF_FEED_BAR_DRIVING_LINK				1
3	40068467	FEED BAR ECCENTRIC STUD				1
4	RO061180100	O-RING				1
5	40074662	FEED_BAR_ASSY				1
6	40074601	DIFFERENTIAL_FEED_BAR_ASSY		*		1
7	40068663	FEED BAR PLATE		*		1
8	40068664	SCREW		*		2
9	40074602	DIFFERENTIAL_FEED_BAR		*		1
10	40074615	MAIN_FEED_BAR_ASSY		*		1
11	40068663	FEED BAR PLATE		*		1
12	40068664	SCREW		*		2
13	40074616	MAIN_FEED_BAR		*		1
14	SM4041050TP	SCREW				1
15	40074603	DIFF_FEED_DOG				1
16	SM6030502TP	SCREW M3X5				1
17	40074608	NEEDLE_GUARD			☆	1
18	SM4040800SP	SCREW M4X0.7 L=8				1
19	40074609	MAIN_FEED_DOG				1
20	CQ200000000	COTTON OIL WICK D=2				2
21	40068470	FEED BAR SLIDE BLOCK				1
22	40067172	BUSHING				2
23	40067173	DIFFERENTIAL FEED BAR DRIVING				2
24	SM8050812TP	SCREW M5X8				1
25	40074617	MAIN_FEED_BAR_DRIVE_LINK				1
26	40067155	LINK PIN				1
27	40074618	FEED LIFT ECCENTRIC ASSY				1
28	11856101	NEEDLE COOLER PIN		*		1
29	40067149	FELT		*		1
30	40069918	NUT M6 LEFT		*		1
31	40074619	FEED_LIFT_ECCENTRIC_BALL_JOINT		*		1
32	40074622	CONNECTING_ROD		*		1
33	40074623	BALL_JOINT_COMPLETE		*		1
34	40074627	BALL_FORK		*		1
35	SM6040950TP	SCREW M4 L=8.5		*		1
36	NM6050001SP	NUT M5X0.8 TYPE1		*		1
37	40076293	RUBBER RING				1
38	40074659	FEED_ROCKER_SHAFT				1
39	40074629	DIFF_FEED ADJUSTING LEVER				1
40	40074630	DIFF_FEED_ADJUSTING_LEVER_LINK				1
41	SD0650326TP	SHOULDER SCREW D=6.5 H=3.2				1
42	40067167	DIFFERENTIAL FEED BAR DRIVING				1
43	40067166	DIFFERENTIAL FEED DRIVING LINK				1
44	40074632	FEED_ROCKER				1
45	SM67506A0TP	SCREW M3.5 L=6				2
46	40074633	BUSHING_FOR_FEED_ROCKER_SHAFT				1
47	40074634	FEED_DRIVE_ASSY				1

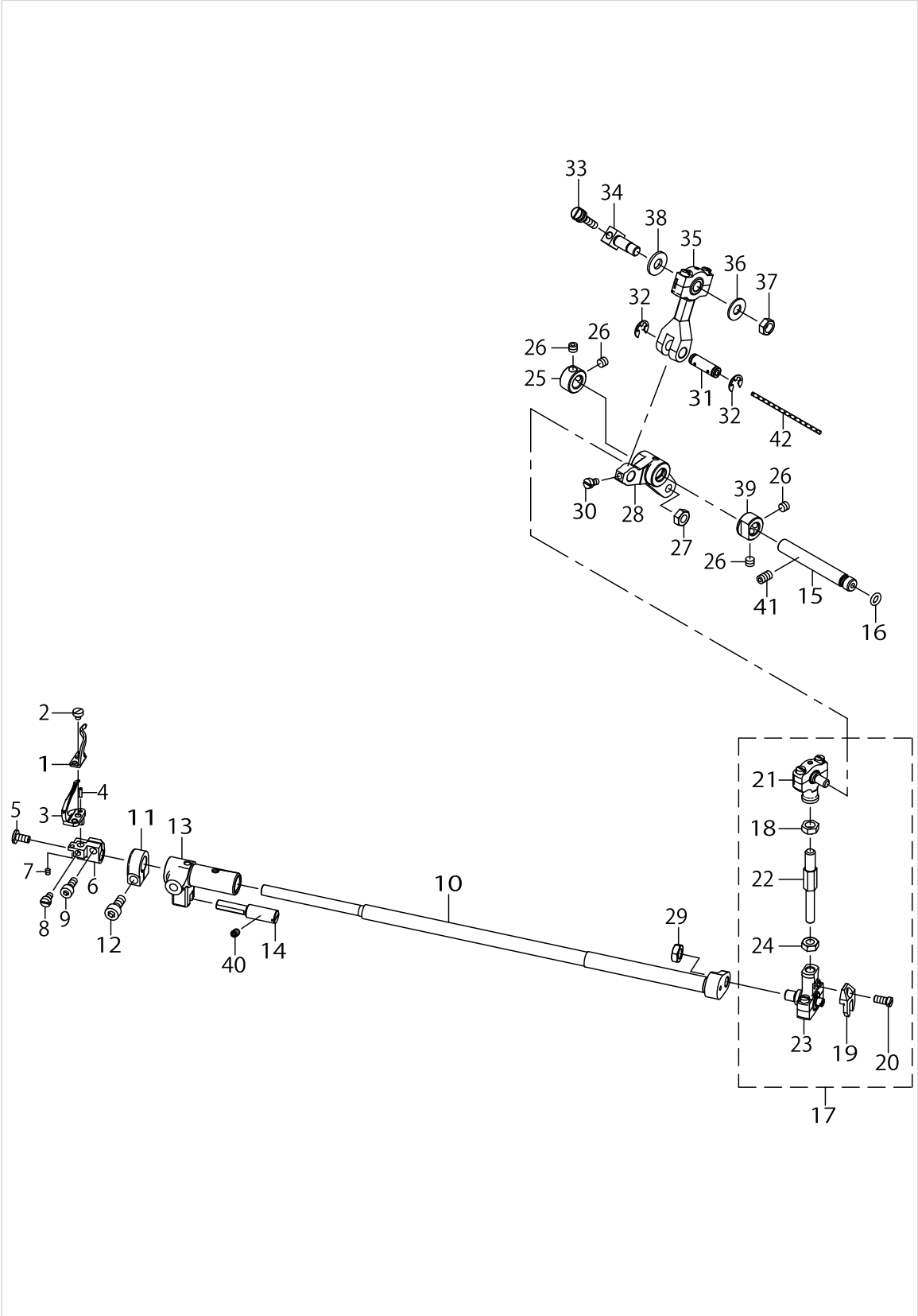
FEED MECHANISM COMPONENTS



FEED MECHANISM COMPONENTS

No.	Parts No.	Parts name	Remarks	Level	Cons	Qty
48	11856101	NEEDLE COOLER PIN		*		1
49	40067149	FELT		*		1
50	40069918	NUT M6 LEFT		*		1
51	40074635	FEED_DRIVE_ECCENTRIC_ASSY		*		1
52	40074637	CONNECTING_ROD		*		1
53	40074638	BALL_JOINT_ASSY		*		1
54	NM6050001SP	NUT M5X0.8 TYPE1		*		1
55	40074641	BALL_SCREW_BRACKET				1
56	40074642	NUT				2
57	40074643	FEED_DRIVE_AVOID_DRIVE_LEVER				1
58	40074659	FEED_ROCKER_SHAFT				1
59	40076293	RUBBER RING				1
60	NM6060003SP	NUT M6 TYPE3				1
61	WP0651056SH	WASHER 6.5X11X1				1
62	40074645	FEED_ROCKER_DRIVE_LINK				1
63	40067155	LINK PIN				1
64	40074646	CONNECTING_ROD				1
65	SD0950646TP	SHOULDER SCREW D=9.5 H=6.4				3
66	SM1040750TP	SCREW M4 L=7				3
67	40074648	DIFF_FEED_CONTROL_ASSY				1
68	40067008	SPRING WASHER		*		1
69	40067009	STOP SCREW PIN		*		2
70	40068392	NUT		*		2
71	40074649	ADJUSTING_LEVER		*		1
72	40074653	GASKET		*		1
73	40074654	ADJUSTING PLATE		*		1
74	40074655	OPERATING_LEVER		*		1
75	RO061180100	O-RING		*		1
76	SM1040950TP	SCREW M4 L=9		*		1
77	WP0951016SP	WASHER 9.53X15X1		*		1
78	SM80506A2TP	SCREW M5 L=6				4
79	40074575	MAIN_FEED_DOG_STEP	FOR L211			1
80	40074576	DIFF_FEED_DOG_STEP	FOR L211			1

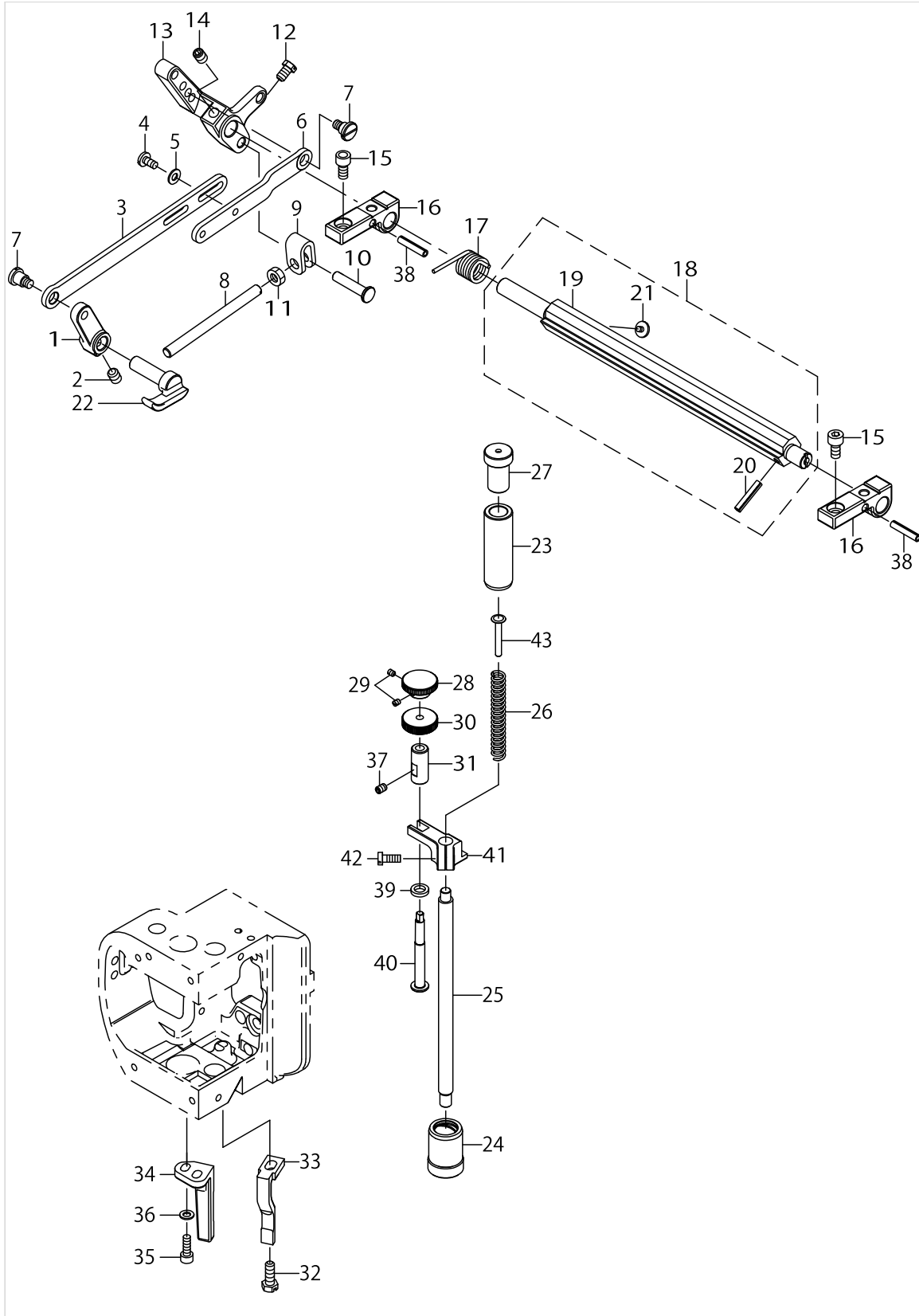
LOOPER COMPONENTS



LOOPER COMPONENTS

No.	Parts No.	Parts name	Remarks	Level	Cons	Qty
1	40074656	LOOPER_MONTEED_NEEDLE_GUARD			☆	1
2	SM6030350TP	SCREW M3 L=3.4			☆	2
3	40074600	LOOPER			☆	1
4	PS0150042K0	SPRING PIN 1.5X 4				1
5	SM6040860TP	SCREW M4 L=8				1
6	40074660	LOOPER_HOLDER				1
7	SM8850302TP	SCREW M2.5X0.45 L=3				1
8	SM67506A0TP	SCREW M3.5 L=6				1
9	SM6041002TP	SCREW M4X0.7 L=10				1
10	40074661	LOOPER_ROCKER_SHAFT				1
11	40074663	THRUST_COLLAR				1
12	SM6051202TP	SCREW M5X0.8 L=12				1
13	40074664	LOOPER_SHAFT_SLEEVE				1
14	40074665	GUIDE_STUD				1
15	40074666	LOOPER_DRIVER_LEVER_SHAFT				1
16	40068434	O RING				1
17	40074667	LOOPER_DRIVER_CON_ROD_ASSY				1
18	40069918	NUT M6 LEFT		*		1
19	40074627	BALL_FORK		*		1
20	SM6040950TP	SCREW M4 L=8.5		*		1
21	40074668	BALL_JOINT_UPPER		*		1
22	40074671	CONNECTING_ROD		*		1
23	40074672	BALL_JOINT_LOWER		*		1
24	NM6050001SP	NUT M5X0.8 TYPE1		*		1
25	CS0800881TP	THRUST COLLAR D=8 W=8				1
26	SM8050412TP	SCREW M5 L=4				4
27	NM6050001SP	NUT M5X0.8 TYPE1				1
28	40074677	LOOPER_DRIVE_LEVER				1
29	NM6060003SP	NUT M6 TYPE3				1
30	SM67506A0TP	SCREW M3.5 L=6				1
31	40074678	LINK_PIN				1
32	RE0500000K0	E-RING				2
33	40074679	SCREW				1
34	40074680	LOOPER_DRIVE_CRANK_STUD				1
35	40074681	LOOPER_DRIVE_CONN_ROD_ASSY				1
36	WP0621046SP	WASHER				1
37	40069918	NUT M6 LEFT				1
38	40008423	WASHER				1
39	40074684	THRUST_COLLAR				1
40	SM8040612TP	SCREW M4 L=6				1
41	SM8050812TP	SCREW M5X8				1
42	CQ252000000	OIL WICK				0.1

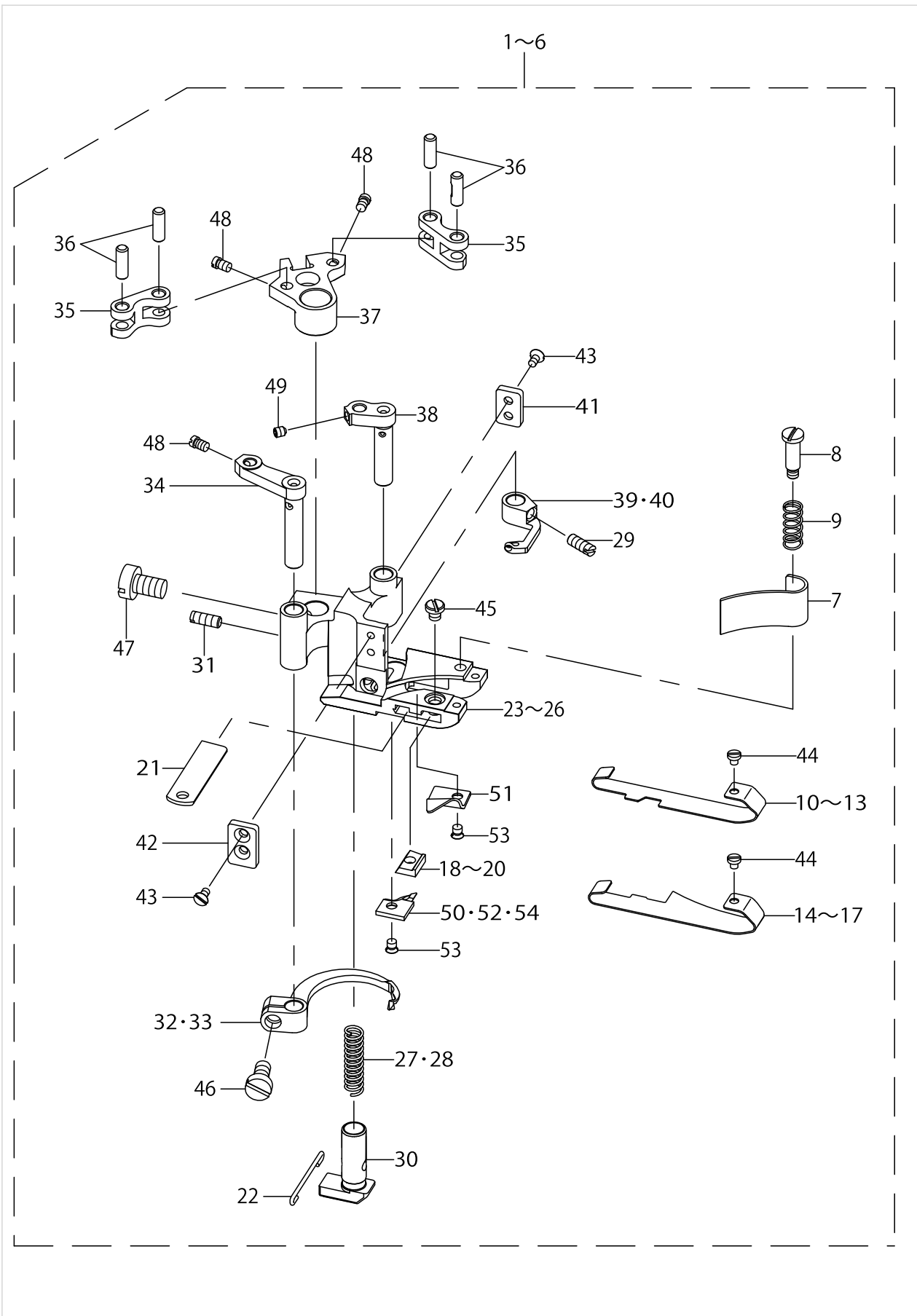
HAND LIFTER COMPONENTS



HAND LIFTER COMPONENTS

No.	Parts No.	Parts name	Remarks	Level	Cons	Qty
1	40074550	LIFT_LEVER_LINK_CONNECTION				1
2	SM8060812TP	SCREW M6 L=8				1
3	40074551	LIFT_LEVER_LINK_L				1
4	SM5040855SN	SCREW				2
5	WP0450801SD	WASHER 4.5X10X0.8				2
6	40074552	LIFT_LEVER_LINK_S				1
7	SD0700586TP	SHOULDER SCREW				2
8	40074553	LIFTER_STOP_PLUNGER				1
9	40074554	LIFTER_STOP_PLUNGER_PLATE				1
10	40074555	LIFTER_STOP_PLUNGER_PIN				1
11	NM6060003SP	NUT M6 TYPE3				1
12	SM9050850SP	SCREW				1
13	40074556	LIFTER_LEVER				1
14	SM8060812TP	SCREW M6 L=8				1
15	SM6051002TP	SCREW M5X0.8 L=10				2
16	40074559	TENSION_PLATE_BRACKET				2
17	40067225	TENSION RELEASE SHAFT SPRING				1
18	40068575	TENSION RELEASE SHAFT ASM.				1
19	40067221	TENSION RELEASE SHAFT BLK		*		1
20	PS0400202KP	SPRING PIN TYPE W 4X20		*		1
21	SM7030450SC	SCREW M3X0.5 L=4		*		1
22	40074560	PRESSER_BAR_LIFTER_LEVER				1
23	40074561	PRESSER_BAR_BUSHING				1
24	40074562	CARRIER_HOOK_SLEEVE_BUSHING				1
25	40074563	PRESSER_BAR				1
26	40074564	PRESSER_BAR_SPRING				1
27	40074565	PRESSER_BAR_REGULATING				1
28	40074566	KNURLED_KNOB				1
29	SM8030450SP	SCREW M3 L=4				2
30	40074567	KNURLED_NUT				1
31	40074568	THREADED_SLEVE				1
32	SM9051400SN	HEXAGON BOLT				1
33	40074450	PRESSER_FOOT_GUIDE_RIGHT				1
34	40074451	PRESSER_FOOT_GUIDE_LEFT				1
35	SM6041202TP	SCREW M4X0.7 L=12				2
36	WP0430800SC	WASHER M4				2
37	SM8040612TP	SCREW M4 L=6				1
38	PS0400202KP	SPRING PIN TYPE W 4X20				2
39	40074570	COLLAR BUMPER				1
40	40074569	SCREW_STUD				1
41	40074456	PRESSER_BAR_GUIDE				1
42	SM6041000SP	SCREW M4 L=10				1
43	40074332	TENSION_DISC_PIN				1

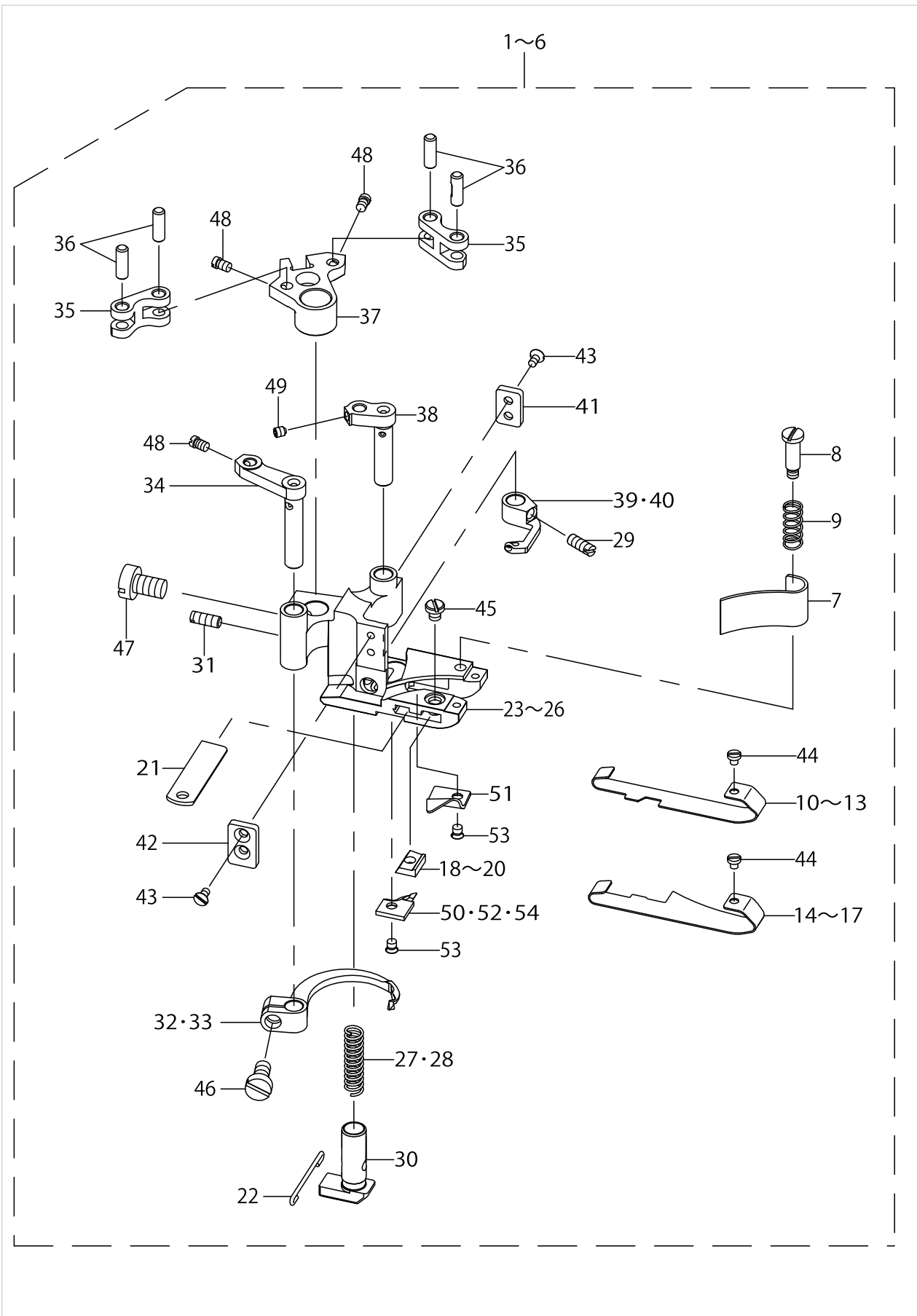
HAND LIFTER ASM. COMPONENTS



HAND LIFTER ASM. COMPONENTS

No.	Parts No.	Parts name	Remarks	Level	Cons	Qty
1	40074529	PRESSER_FOOT_ASSY_L100_52				1
2	40074530	PRESSER_FOOT_ASSY_L200_52				1
3	40074538	PRESSER_FOOT_ASSY_L100_60				1
4	40074539	PRESSER_FOOT_ASSY_L200_60				1
5	40074531	PRESSER_FOOT_ASSY_L201_52				1
6	40074533	PRESSER_FOOT_ASSY_L211_52				1
7	40074487	PRESSER_FOOT_CHIP_GUARD		*		1
8	40074488	CHIP_GUARD_SCREW		*		1
9	40074489	CHIP_GUARD_SPRING		*		1
10	40074520	FRESSER_FOOT_SHOE_B_RIGHT	FOR ONE SIDE CUT	*	☆	1
11	40074705	FRESSER_FOOT_SHOE_J_RIGHT	FOR BOTH SIDE CUT	*	☆	1
12	40074610	FRESSER_FOOT_SHOE_D_RIGHT	FOR L201	*	☆	1
13	40074589	FRESSER_FOOT_SHOE_F_RIGHT	FOR L211	*	☆	1
14	40074521	FRESSER_FOOT_SHOE_B_LEFT	FOR ONE SIDE CUT	*	☆	1
15	40074706	FRESSER_FOOT_SHOE_J_LEFT	FOR BOTH SIDE CUT	*	☆	1
16	40074611	FRESSER_FOOT_SHOE_D_LEFT	FOR L201	*	☆	1
17	40074493	FRESSER_FOOT_SHOE_A_LEFT	FOR L211	*	☆	1
18	40074494	KNIFE_CLAMP_A	SELECTIVE PARTS	*		1
19	40074495	KNIFE_CLAMP_B	SELECTIVE PARTS	*		1
20	40074496	KNIFE_CLAMP_C	SELECTIVE PARTS	*		1
21	40074497	FIXED_KNIFE		*	☆	1
22	40074498	SHOE_HOLDING_WIRE		*		1
23	40074500	PRESSER_FOOT_BASE_L100	FOR ONE SIDE CUT	*		1
24	40074501	PRESSER_FOOT_BASE_L200	FOR BOTH SIDE CUT	*		1
25	40074580	PRESSER_FOOT_BASE_L201	FOR L201	*		1
26	40074582	PRESSER_FOOT_BASE_L211	FOR L211	*		1
27	40074502	YIEDING_SECTION_SPRING		*		1
28	40074586	YIEDING_SECTION_SPRING_S		*		1
29	SM8030612TP	SET SCREW		*		1
30	40074503	YIEDING_SECTION		*		1
31	40074504	YIEDING_SECTION_SCREW		*	☆	1
32	40074505	THREAD_HOOK	FOR 5.2MM	*	☆	1
33	40074514	THREAD_HOOK_60	FOR 6MM	*	☆	1
34	40074506	THREAD_HOOK_LEVER		*		1
35	40074507	DRIVING_LEVER_LINK		*		2
36	40074508	LINK_PIN		*		4
37	40074509	DRIVING_SEGMENT		*		1
38	40074510	CARRIER_DRIVING_LEVER		*		1
39	40074511	THREAD_CARRIER	FOR 5.2MM	*	☆	1
40	40074527	THREAD_CARRIER_60	FOR 6MM	*	☆	1
41	40074512	FOOT_GUIDE_PLATE_RIGHT		*		1
42	40074513	FOOT_GUIDE_PLATE_LEFT		*		1
43	SM1020450TP	SCREW M2 L=4		*		4
44	SM6020250TP	SCREW		*		2
45	SM6030350SD	SCREW M3 L=2.9		*		1
46	SM6040800SP	SCREW		*		1
47	SM6050800SP	SCREW M5 L=8		*		1

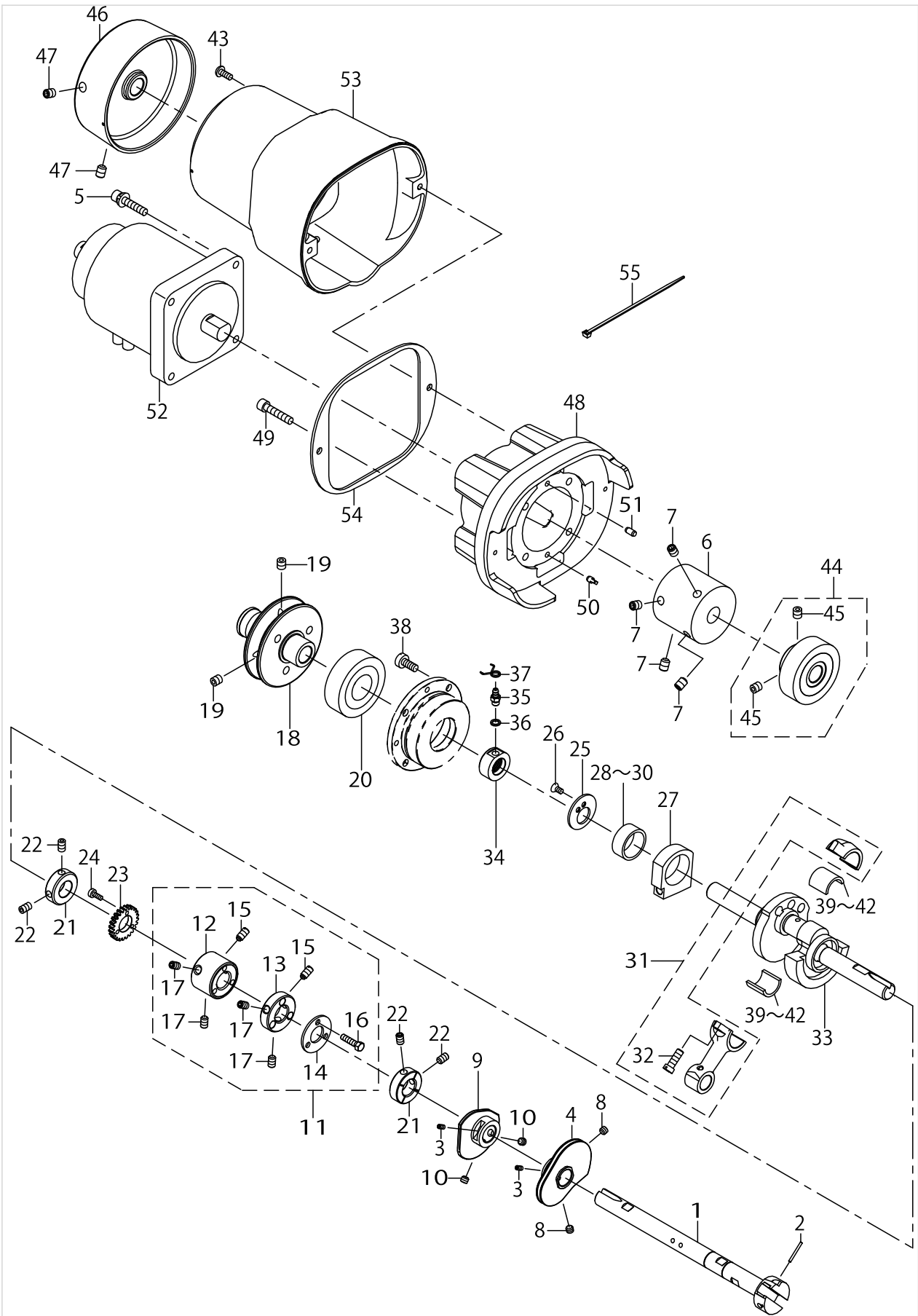
HAND LIFTER ASM. COMPONENTS



HAND LIFTER ASM. COMPONENTS

No.	Parts No.	Parts name	Remarks	Level	Cons	Qty
48	SM6850350TP	FLAT SCREW		*		3
49	SM8850302TP	SCREW M2.5X0.45 L=3		*		1
50	40074515	GUIDE PLATE Z	FOR BOTH SIDE CUT	*		1
51	40074572	GW_GUIDE	FOR L201	*		1
52	40074573	GUIDE_PLATE_L211	FOR L211	*		1
53	40053286	SCREW	FOR BOTH SIDE CUT	*		1
54	40074499	GUIDE_PLATE	FOR L201	*		1

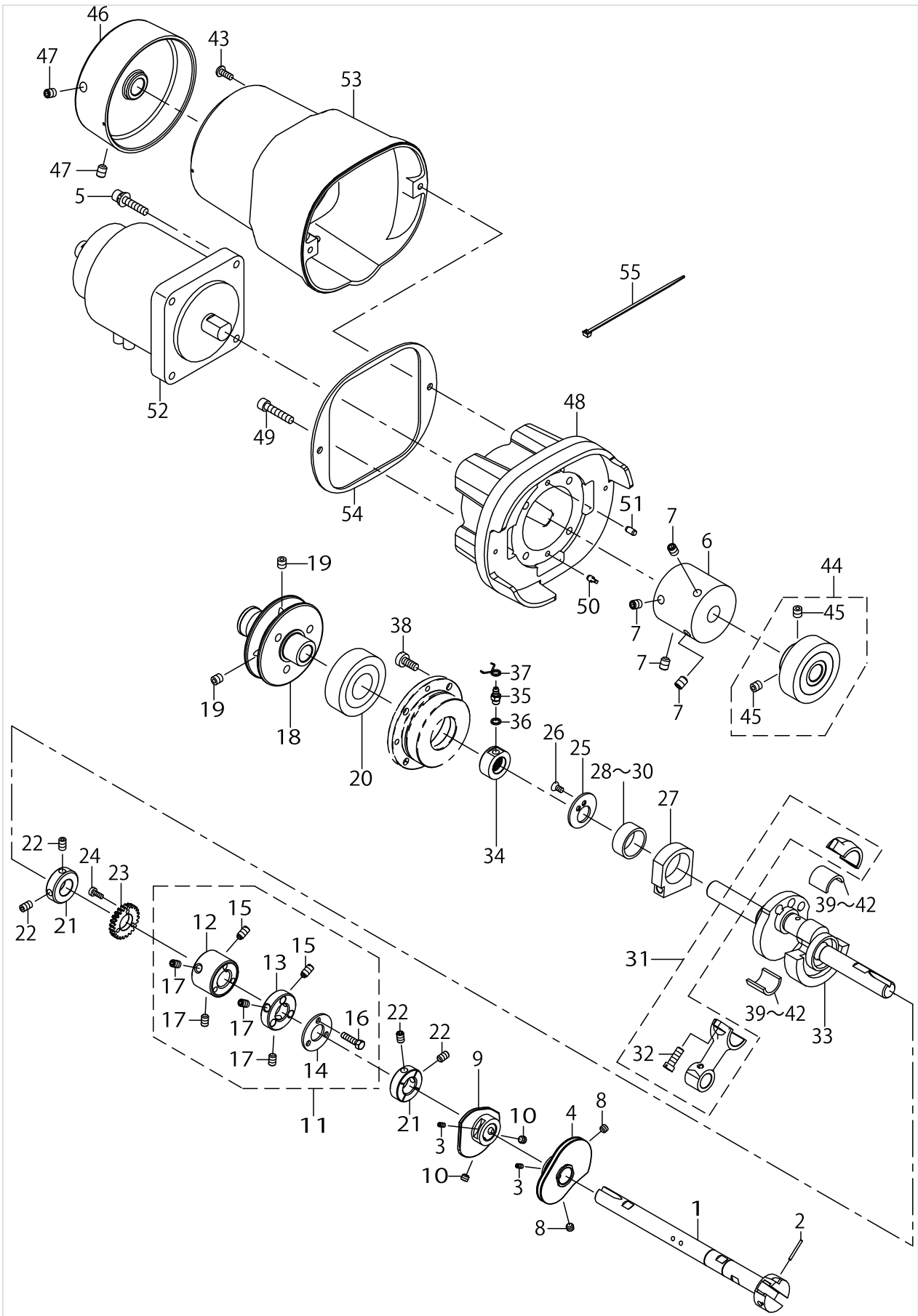
MAIN SHAFT & DIRECT DRIVE UNIT COMPONENTS



MAIN SHAFT & DIRECT DRIVE UNIT COMPONENTS

No.	Parts No.	Parts name	Remarks	Level	Cons	Qty
1	40074740	MAIN_SHAFT				1
2	PS0160162KH	SPRING PIN 1.6X16				1
3	SM8030612TP	SET SCREW				2
4	40074742	DOUBLE_DISK_TAKE_UP_ASSY				1
5	SL6052592TN	SCREW M5 L=25				4
6	40074775	COUPLING				1
7	SM8060812TP	SCREW M6 L=8				4
8	SM8050412TP	SCREW M5 L=4				2
9	40074746	COVER_THREAD_TAKE_UP_ASSY				1
10	SM8050412TP	SCREW M5 L=4				2
11	40074750	MAIN_SHAFT_COUPLING_ASSY				1
12	40074751	SHAFT_COUPLING_A		*		1
13	40068425	SHAFT COUPLING B		*		1
14	40068424	WASHER PLATE		*		1
15	40068601	SPOT SCREW		*		2
16	40070353	SCREW		*		3
17	SM8050812TP	SCREW M5X8		*		4
18	40074739	PULLEY	FOR CLUTCH			1
19	SM8060612TP	SCREW M6 L=6	FOR CLUTCH			2
20	SB120002200	BEARING	FOR CLUTCH			1
21	40068427	COLLAR				2
22	SM8050812TP	SCREW M5X8				4
23	40068426	OIL PUMP DRIVING GEAR				1
24	SM6030850TP	SCREW M3 L=8				3
25	40074754	RETAINING_PLATE				1
26	SM2750750TP	SCREW M3.5 L=7				2
27	40074755	CARRIER_AND_HOOK_DRIVING_BLOCK				1
28	B210348100A	BEARING	SELECTIVE PARTS			1
29	B210348100B	BEARING	SELECTIVE PARTS			1
30	B210348100C	BEARING	SELECTIVE PARTS			1
31	40074756	NEEDLE_LEVER_CONNECTING_ROD_ASSY				1
32	SM6051450TP	SCREW M5 L=14		*		2
33	40074741	CRANK_SHAFT				1
34	40074415	RETURN_PUMP_BUSHING				1
35	SQ2050453MZ	CONNECTING SCREW				1
36	WP0500916SD	WASHER 5X7X0.9				1
37	23629306	PIPE STOPPER A				1
38	SM6051250TP	SCREW M5 L=12	FOR CLUTCH			4
39	40075304	NEEDLE BEARING A	SELECTIVE PARTS			1
40	40075305	NEEDLE BEARING B	SELECTIVE PARTS			1
41	40075306	NEEDLE BEARING C	SELECTIVE PARTS			1
42	40075307	NEEDLE BEARING D	SELECTIVE PARTS			1
43	SM4041055SP	SCREW				2
44	40074770	DD_BEARING_ASSY				1
45	SM8060612TP	SCREW M6 L=6		*		2
46	40074163	DD_MOTOR_PULLEY				1
47	SM8060812TP	SCREW M6 L=8				2

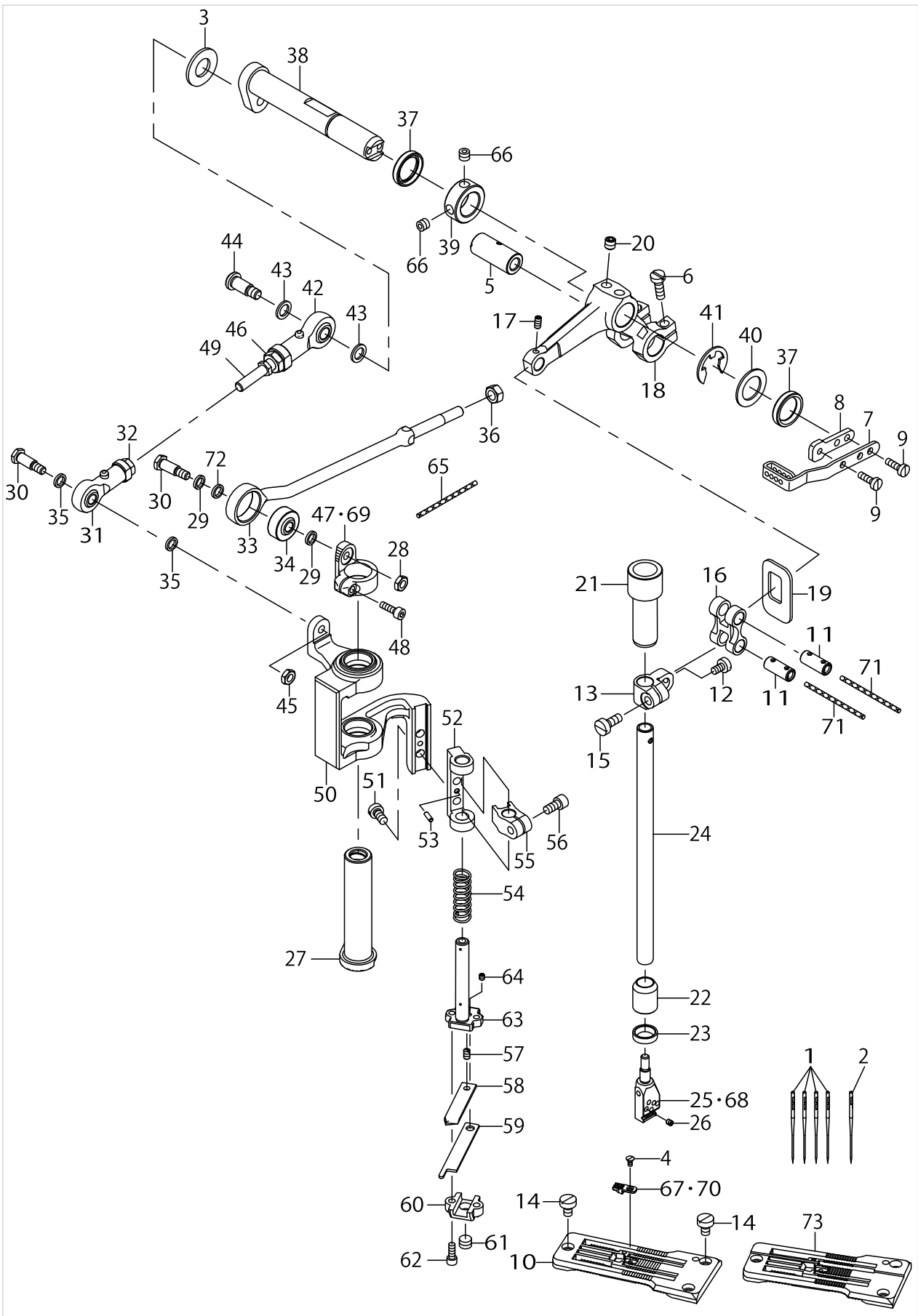
MAIN SHAFT & DIRECT DRIVE UNIT COMPONENTS



MAIN SHAFT & DIRECT DRIVE UNIT COMPONENTS

No.	Parts No.	Parts name	Remarks	Level	Cons	Qty
48	40074161	DD_MOTOR_BASE				1
49	SM6052502TP	SCREW M5X25				4
50	13301908	DOWEL_PIN				1
51	13302500	DOWEL_PIN_2				1
52	40074159	AC_SERVO_MOTOR				1
53	40074162	DD_MOTOR_COVER				1
54	40074169	DD_COVER_RUBBER_CUSHION				1
55	EA9500B0100	CABLE BAND				1

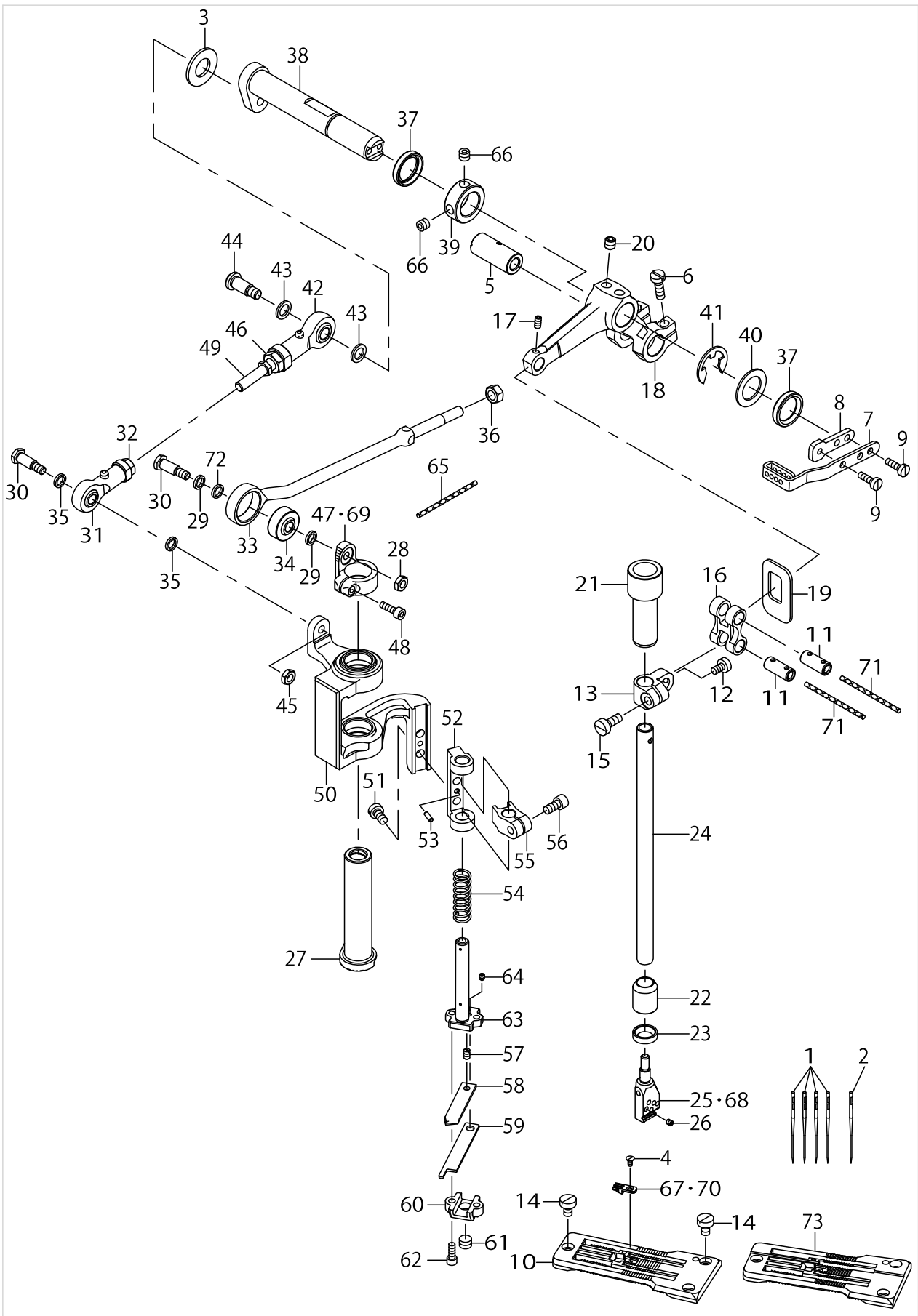
NEEDLE BAR & KNIFE DRIVE COMPONENTS



NEEDLE BAR & KNIFE DRIVE COMPONENTS

No.	Parts No.	Parts name	Remarks	Level	Cons	Qty
1	MFL118B1000	NEEDLE FLX118GCS #10				4
2	MFLG80B0800	NEEDLE FLG-8 RETAINER#8				1
3	G5313172000	SLIDE SHAFT RUBBER				1
4	SM1020450TH	SCREW				1
5	40074759	NEEDLE_LEVER_CONNECTING_ROD_PIN				1
6	SM6041200SP	SCREW M4 L=12				2
7	40074249	THREAD_TAKE_UP_LEVER				1
8	40074250	THREAD_TAKE_UP_LEVER_STUD				1
9	SM6030800SP	SCREW M3X0.5 L=8				3
10	40074490	THROAT_PLATE_A				1
11	40067133	LINK PIN				2
12	SM67506A0TP	SCREW M3.5 L=6				1
13	40074251	NEEDLE_BAR_CONNECTION				1
14	SM6040660TP	SCREW M4 L=6				3
15	SM6041000SP	SCREW M4 L=10				1
16	40074252	NEEDLE_LEVER_LINK				1
17	SM8030612TP	SET SCREW				1
18	40074761	NEEDLE_LEVER				1
19	40074762	NEEDLE_LEVER_SHIELD				1
20	SM8050512TP	SCREW				2
21	40074253	NEEDLE_BAR_BUSHING_UPPER				1
22	40074254	NEEDLE_BAR_BUSHING_LOWER				1
23	40074772	OIL_SEAL				1
24	40074255	NEEDLE_BAR				1
25	40074256	NEEDLE_HEAD_52	FOR 5.2MM			1
26	SM8850350TP	SCREW M2.5 L=3			☆	5
27	40074452	CARRIER_HOOK_DRIVING_SLEEVE				1
28	NM6040003SC	NUT M4X0.7 TYPE3				1
29	13412705	SPACER				2
30	40074454	SCREW				2
31	16960205	ROD END				1
32	NM6050003SC	NUT M5X0.8 TYPE3				1
33	40074455	CARRIER_HOOK_DRIVING_ROD				1
34	16556508	SPRIT				1
35	13412705	SPACER				2
36	NM6050002SC	NUT M5X0.8 TYPE2				1
37	40074457	OIL_SEAL				2
38	40074458	KNIFE_DRIVE_LEVER				1
39	40074773	THRUST_COLLAR				1
40	40074774	THRUST_WASHER				1
41	RE1000000K0	E-RING 10				1
42	18347500	ROD END				1
43	WP0621026SP	WASHER 6.2X9.5X1				2
44	SD0601036TP	SHOULDER SCREW D=6 H=10.3				1
45	NM6040003SC	NUT M4X0.7 TYPE3				1
46	NM6060003SC	NUT M6X1 TYPE3				1
47	40074460	SLEEVE_DRIVING_LEVER_52	FOR 5.2MM			1

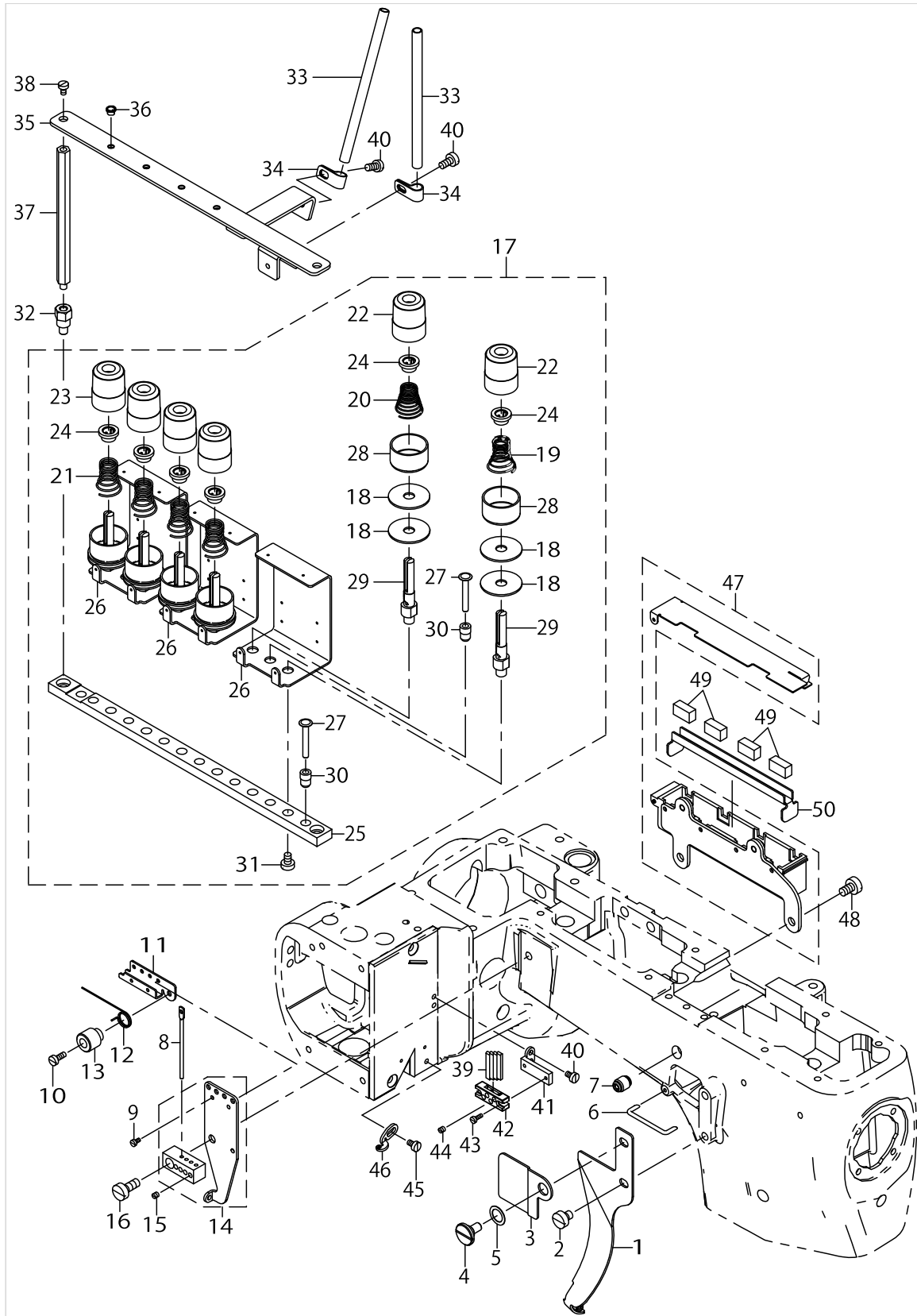
NEEDLE BAR & KNIFE DRIVE COMPONENTS



NEEDLE BAR & KNIFE DRIVE COMPONENTS

No.	Parts No.	Parts name	Remarks	Level	Cons	Qty
48	SM6031002TP	SCREW M3X0.5 L=10				1
49	40074461	KNIFE_DRIVE_STUD				1
50	40074471	KNIFE_DRIVE_BRACKET_ASSY				1
51	SM6040800SP	SCREW				2
52	40074453	KNIFE HOLDER_GUIDE_BASE				1
53	13377304	PIVOT_PIN				1
54	40074464	KNIFE HOLDER_SPRING				1
55	40074465	KNIFE HOLDER_GUIDE_COLLAR				1
56	SM6040802TP	SCREW M4X0.7 L=8				1
57	40074466	SCREW				1
58	40074467	KNIFE_SUPPORT				1
59	40074468	KNIFE_UPPER			☆	1
60	40074469	KNIFE HOLDER				1
61	SM8480452TP	SCREW M6X0.75 L=4				1
62	SM6030802TP	SCREW M3X0.5 L=8				2
63	40074470	KNIFE HOLDER_SHANK				1
64	SM8850302TP	SCREW M2.5X0.45 L=3				1
65	CQ200000000	COTTON OIL WICK D=2				1
66	SM8050412TP	SCREW M5 L=4				2
67	40074491	STITCH_TONGUE_A	FOR 5.2MM		☆	1
68	40074258	NEEDLE_HEAD_60	FOR 6MM			1
69	40074473	SLEEVE_DRIVING_LEVER_60	FOR 6MM			1
70	40074528	STITCH_TONGUE_B	FOR 6MM		☆	1
71	CQ303000000	OIL WICK				0.2
72	13412705	SPACER	FOR 6MM			1
73	40074574	THROAT_PLATE_STEP	FOR L211			1

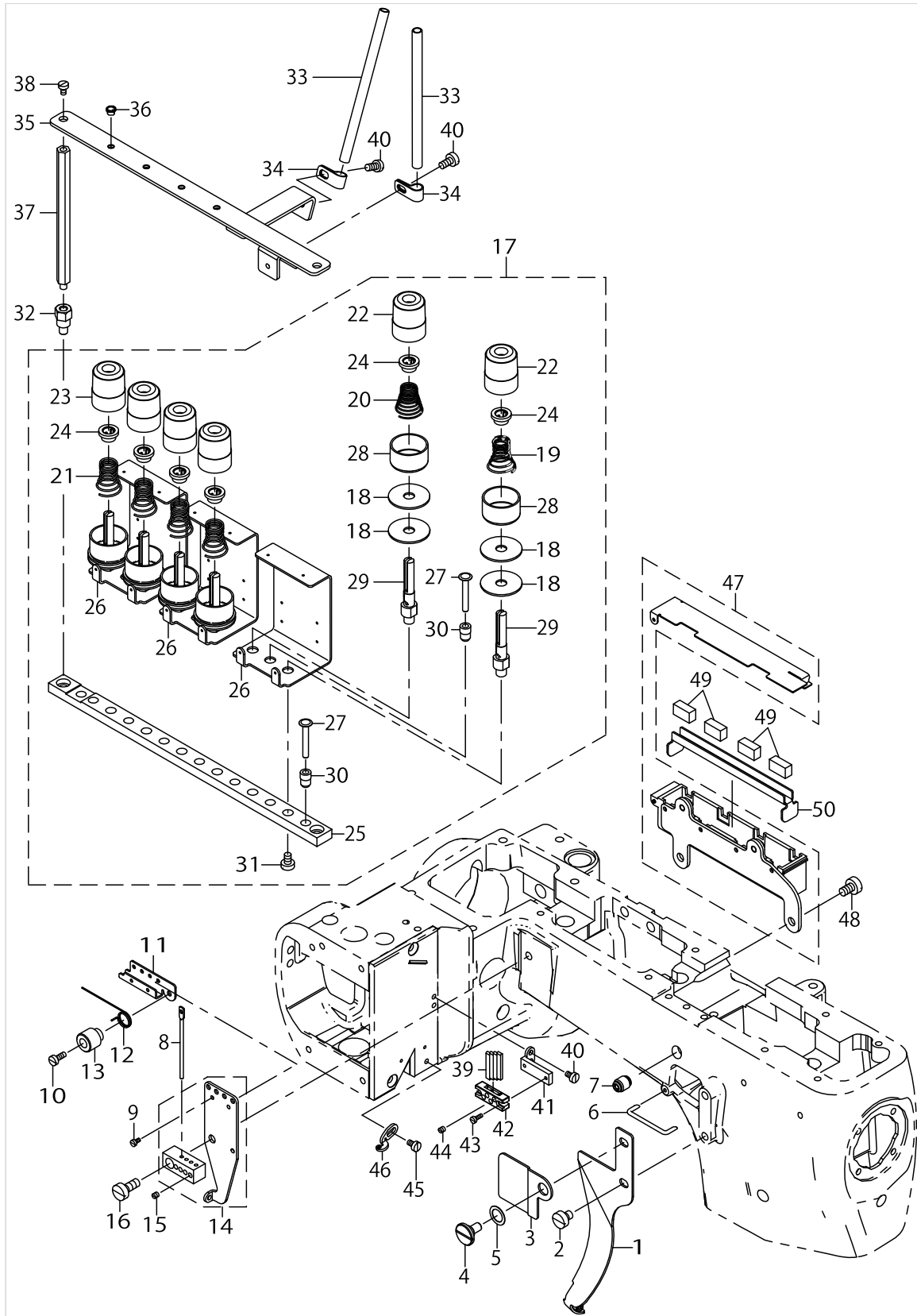
THREAD TENSION COMPONENTS



THREAD TENSION COMPONENTS

No.	Parts No.	Parts name	Remarks	Level	Cons	Qty
1	40074315	THREAD_SHIELD_ASSY				1
2	SM6050610SC	SCREW M5X0.8 L=6				1
3	40074432	THREAD_SHIELD_PLATE_COVER				1
4	SD0800327TP	SHOULDER SCREW D=8 H=3.2				1
5	WZ0850302K0	WAVED WASHER 8.5X12.5X0.3				1
6	40074328	THREAD_GUIDE_WIRE				1
7	40074329	THREAD_GUIDE				1
8	40074316	NEEDLE_THREAD_EYELET				4
9	SM6020460TP	SCREW				2
10	SM6030800SP	SCREW M3X0.5 L=8				1
11	40074317	STITCH_UNLOCKER_MOUNTUNG_BRACKET				1
12	40074318	UNLOCKING_SPRING				1
13	40074319	SPRING HOLDER				1
14	40074322	FRAME_NEEDLE_THREAD_EYELET				1
15	SM8030350TP	SCREW				4
16	SM6051260SP	SCREW M5 L=12				1
17	40074411	TENSION_ASSY				1
18	13138201	THREAD TENSION DISK		*		12
19	13138508	THREAD TENSION SPRING		*		1
20	13138805	THREAD TENSION SPRING		*		1
21	13140504	TENSION SPRING		*		4
22	40042363	KNOB		*		2
23	40042364	KNOB GREEN		*		4
24	40042365	SPRING BUSHING		*		6
25	40074330	TENSION_SUPPORT		*		1
26	40074331	TENSION_THREAD_EYELET		*		3
27	40074332	TENSION_DISC_PIN		*		7
28	40074333	SHIELD_FOR_TENSION_SPRING		*		6
29	40074334	TENSION_POST		*		6
30	40074373	BUSHING		*		7
31	SM6040650TP	SCREW		*		6
32	40074336	SCREW_POST				2
33	40074337	EYELET_TUBE				2
34	40074338	EYELET_TUBE HOLDER				2
35	40074339	EYELET_PLATE				1
36	B1908505000	THREAD PASS BUSH				4
37	E3762725000	CSP LIGHT STUD				2
38	SM6030500SN	SCREW M3 L=5				2
39	40074340	NEEDLE_THREAD_STRIKE_OFF_PIN				4
40	SM6030500SN	SCREW M3 L=5				4
41	40074341	NEEDLE_THREAD_TAKE_UP				1
42	40074393	STRIKE_OFF_PIN HOLDER_ASSY				1
43	SM6020600TP	SCREW				2
44	SM8030350TP	SCREW			☆	4
45	SM6030500SN	SCREW M3 L=5				1
46	40074344	COVER_THREAD_EYELET				1
47	40074345	SILICONE_TANK_ASSY				1

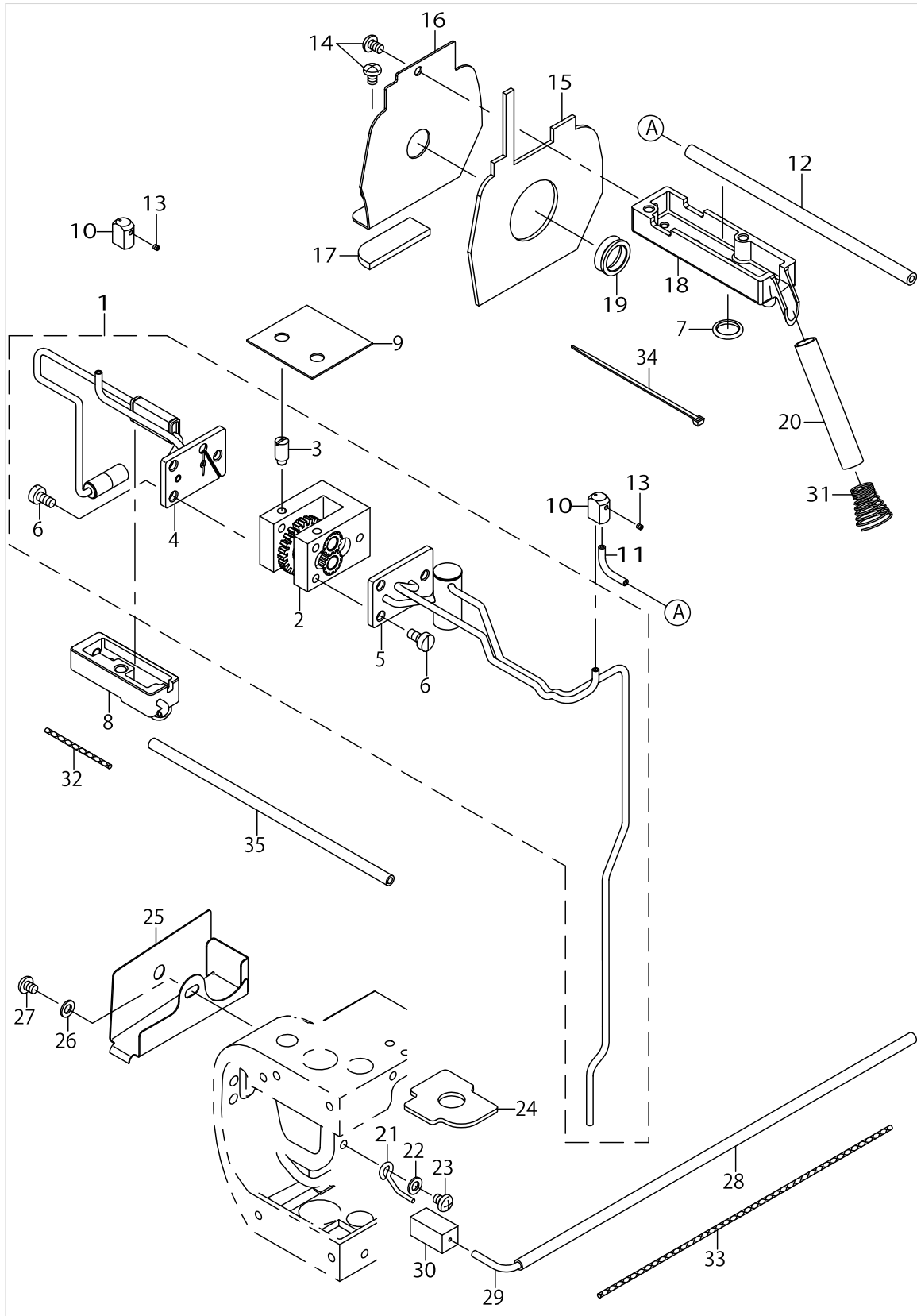
THREAD TENSION COMPONENTS



THREAD TENSION COMPONENTS

No.	Parts No.	Parts name	Remarks	Level	Cons	Qty
48	SM6050800SP	SCREW M5 L=8				2
49	40074347	SILICONE_TANK_FELT				4
50	40074382	FELT_SUPPORT				1

OIL LUBRICATION COMPONENTS



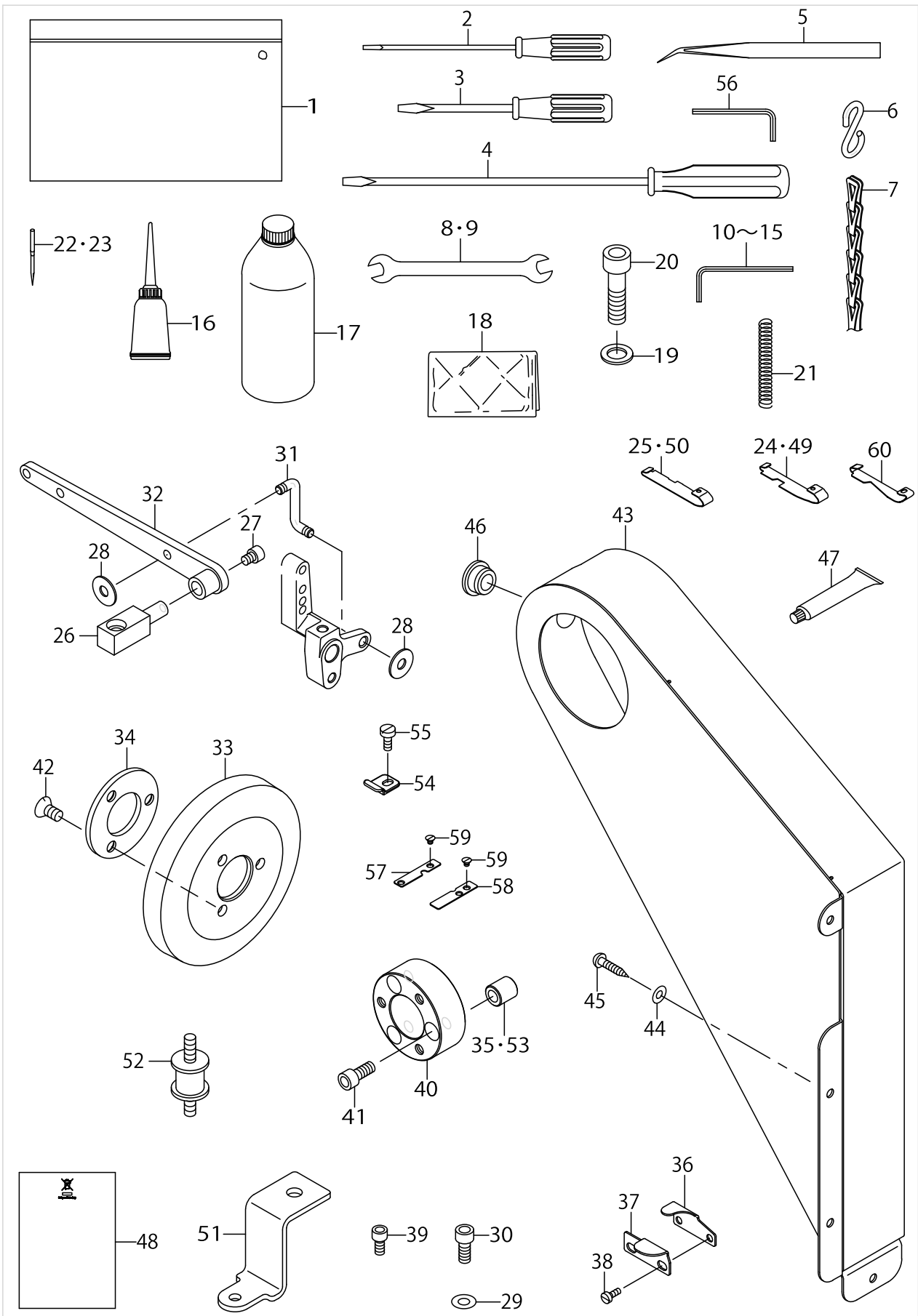
OIL LUBRICATION COMPONENTS

No.	Parts No.	Parts name	Remarks	Level	Cons	Qty
1	40074349	OIL_PUMP_ASSY				1
2	40074300	PUMP_GEAR_ASSY		*		1
3	40074350	VENT_SCREW		*		2
4	40074351	OIL_PIPE_REAR_ASSY		*		1
5	40074358	OIL_PIPE_FRONT_ASSY		*		1
6	SM6040870SP	SCREW		*		6
7	RO098190100	O-RING				1
8	40074438	OIL_RESERVOIR_BACK				1
9	40067116	GASKET				1
10	40074364	OIL_SPLITTER_BLANK				2
11	40074365	OIL_SPLITTER_PIPE				1
12	23630007	TUBE				1
13	SM8020202UZ	SCREW				2
14	SM4040655SP	SCREW M4 L=6				2
15	40074396	GASKET				1
16	40074395	TAKE_UP_SHIELD				1
17	40067120	FELT				1
18	40074390	OIL_RESERVOR_FRONT				1
19	40067123	OIL SEAL RING				1
20	23630106	TUBE B				1
21	40074367	OIL_DEFLECTOR_WIRE				1
22	WP0430800SC	WASHER M4				1
23	SM4040501SN	SCREW M4X0.7 L=5				1
24	40074368	FELT				1
25	40074370	OIL_GUARD				1
26	WP0430800SC	WASHER M4				1
27	SM4040501SN	SCREW M4X0.7 L=5				1
28	23630007	TUBE				1
29	40074326	OIL_PIPE				1
30	40074727	OIL_INTAKE_FELT_ADD_PROCESS				1
31	13140504	TENSION SPRING				1
32	CQ200000000	OIL WICK				0.1
33	CQ200000001	OIL WICK				0.25
34	EA9500B0100	CABLE BAND				1
35	23630007	TUBE				0.15

THREAD STAND COMPONENTS

No.	Parts No.	Parts name	Remarks	Level	Cons	Qty
1	40072506	THREAD_STAND_ASM.				1
2	13168356	THREAD STANDING ARM ASM. ,LONG		*		2
3	13168802	THREAD STANDING ARM ,LONG		*		2
4	22931406	SPOOL REST ROD RUBBER CAP		*		1
5	22930408	SPOOL REST ROD, UPPER		*		1
6	22931307	SPOOL REST ROD JOINT		*		1
7	13167903	THREAD STANDING THREAD GUIDE		*		1
8	13168000	THREAD GUIDE BASE, LOWER		*		1
9	13168109	THREAD GUIDE ARM BASE		*		1
10	40056675	THREAD_GUIDE_ARM_BASE		*		1
11	22930309	SPOOL REST ROD, LOWER		*		1
12	22931109	SPOOL RETAINER		*		6
13	22931000	SPOOL PIN		*		6
14	22930903	SPOOL REST CUSHION		*		6
15	22930804	SPOOL REST		*		6
16	SM6061610SC	SCREW M6 L=16		*		4
17	SM4051405SE	SCREW M5 L=14		*		2
18	NM6050001SE	NUT M5		*		2
19	SM4041001SC	SCREW M4X0.7 L=10		*		2
20	NM6040002SE	NUT M4X0.7		*		2
21	SM4041201SC	SCREW M4 L=12		*		1
22	SM4042001SC	SCREW M4 X 20		*		1
23	NM6040002SE	NUT M4X0.7		*		2
24	WP1612616SE	WASHER 16X30X2.6		*		2
25	WS1643202KR	SPRING WASHER		*		1
26	NM6160511SE	NUT M16X1.5		*		2
27	22930705	THREAD GUIDE ARM JOINT		*		4
28	13168505	THREAD STANDING ARM SUPPORT B		*		1
29	13168406	THREAD STANDING ARM SUPPORT A		*		1
30	SK3382001SE	SCREW D=3.8 L=20		*		2
31	SM4061201SE	SCREW M6 L=12		*		2
32	NM6060001SE	NUT M6		*		2
33	NM6050001SE	NUT M5		*		6
34	WS0510002KN	SPRING WASHER		*		6

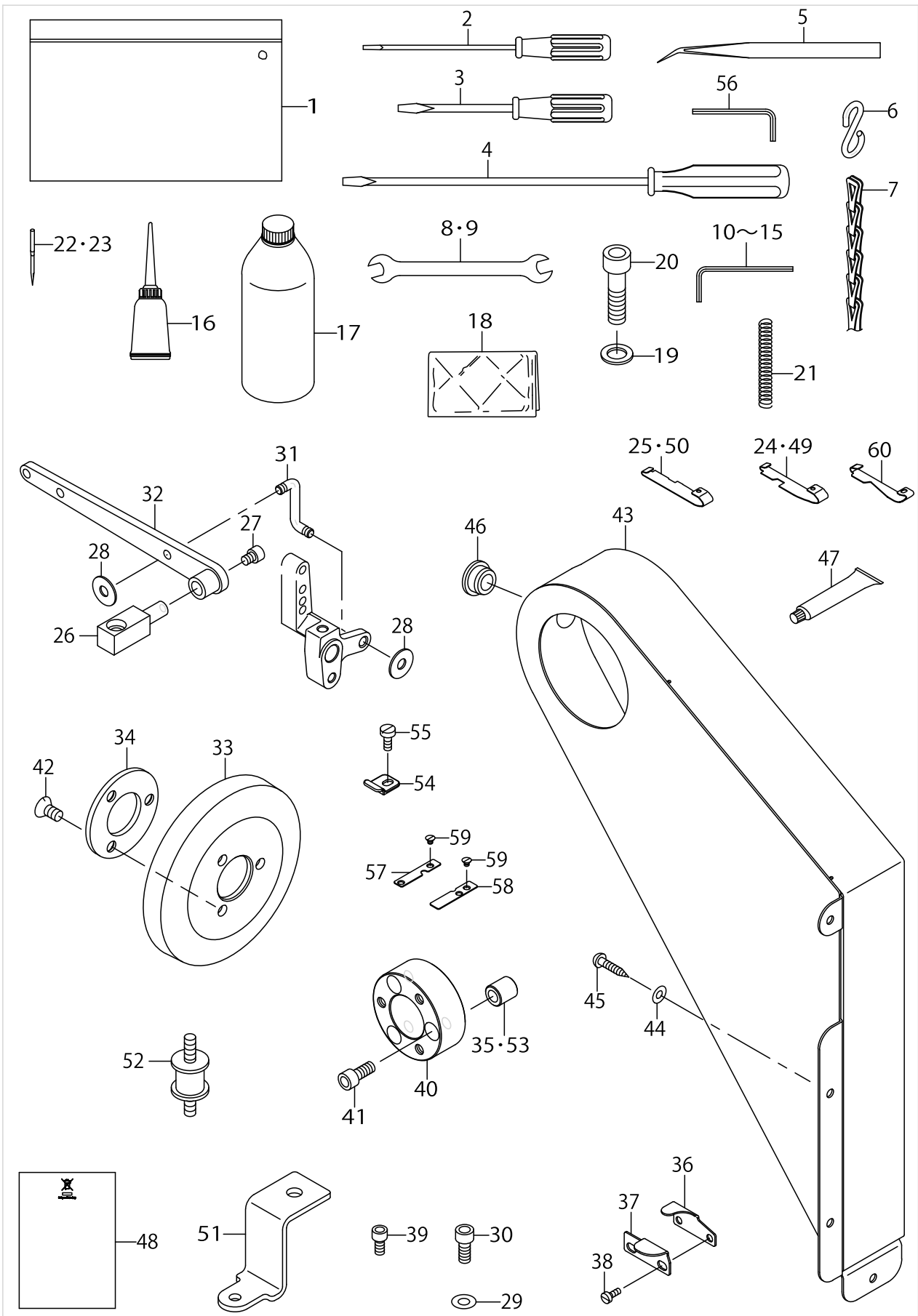
ACCESSORIE PARTS COMPONENTS



ACCESSORIE PARTS COMPONENTS

No.	Parts No.	Parts name	Remarks	Level	Cons	Qty
1	22932800	ACCESSORIE BAG				1
2	12347308	SCREW DRIVER (SMALL)				1
3	22933105	SCREW DRIVER				1
4	22933006	SCREW DRIVER				1
5	12288403	TWEEZERS				1
6	13160304	S SHAPED HOOK				2
7	26037903	CHAIN				1
8	B9143372000	WRENCH (7.1 X 8.1)				1
9	B9113012000	WRENCH (9X10)				1
10	40079298	WRENCH				1
11	J106600000C	HEXAGONAL WRENCH KEY 2.5				1
12	40055591	HEXAGONAL WRENCH KYE				1
13	J106600000F	HEXAGONAL WRENCH KEY				1
14	J106600000G	HEXAGONAL WRENCH KEY				1
15	40067311	ALLEN WRENCH SIZE 8MM				1
16	B91210120A0	OILER ASM.				1
17	MDFRX2001L09	DEFRIX OIL NO.2				1
18	40048536	HEAD_COVER				1
19	WP1051416SD	WASHER 10.5X17X1.4				2
20	SM6103502TP	SCREW M10 L=35				2
21	40074571	PRESSER_BAR_SPRING				1
22	MFL118B1005	NEEDLE FLX118GCS #10-5				1
23	MFLG80B0802	NEEDLE FLG-8 RETAINER#8-2				1
24	40074518	FRESSER_FOOT_SHOE_BB_RIGHT	FOR ONE SIDE CUT, DD ONE SIDE CUT		☆	1
25	40074519	FRESSER_FOOT_SHOE_BB_LEFT	FOR ONE SIDE CUT, DD ONE SIDE CUT		☆	1
26	40074558	LIFTER_BRACKET				1
27	SM6050650TP	SCREW M5 L=6				1
28	RO029180100	O-RING				2
29	WP0621036SP	WASHER	FOR DD ONE SIDE CUT, DD BOTH SIDE CUT			6
30	SM6061402TP	SCREW M6 L=14				1
31	40067238	LIFTER LEVER CONNECTING LINK				1
32	40067239	PRESSER FOOT CONNECTING LIFTER LEVER				1
33	40068588	HANDWHEEL	FOR ONE SIDE CUT, BOTH SIDE CUT			1
34	40068589	CLAMP PLATE	FOR ONE SIDE CUT, BOTH SIDE CUT			1
35	22962609	REVERSE FEED BASE COLLAR	FOR ONE SIDE CUT, BOTH SIDE CUT			3
36	40074232	CHAIN_CUTTING_KNIFE_GUARD				1
37	40074233	CHAIN_CUTTING_KNIFE				1
38	SM6030800SP	SCREW M3X0.5 L=8				2
39	SM6051002TP	SCREW M5X0.8 L=10				1
40	40083674	BELT COVER SPACER	FOR ONE SIDE CUT, BOTH SIDE CUT			1
41	SM6063502TP	SCREW M6 L=35	FOR ONE SIDE CUT, BOTH SIDE CUT			3
42	SS1151310TP	SCREW	FOR ONE SIDE CUT, BOTH SIDE CUT			3
43	40083683	BELT COVER	FOR ONE SIDE CUT, BOTH SIDE CUT			1
44	WP0450826SC	WASHER 4.5X10X0.8	FOR ONE SIDE CUT, BOTH SIDE CUT			4
45	SK3412001SE	WOOD SCREW D=4.1 L=20	FOR ONE SIDE CUT, BOTH SIDE CUT			4
46	TA1470704R0	RUBBER PLUG	FOR ONE SIDE CUT, BOTH SIDE CUT			1

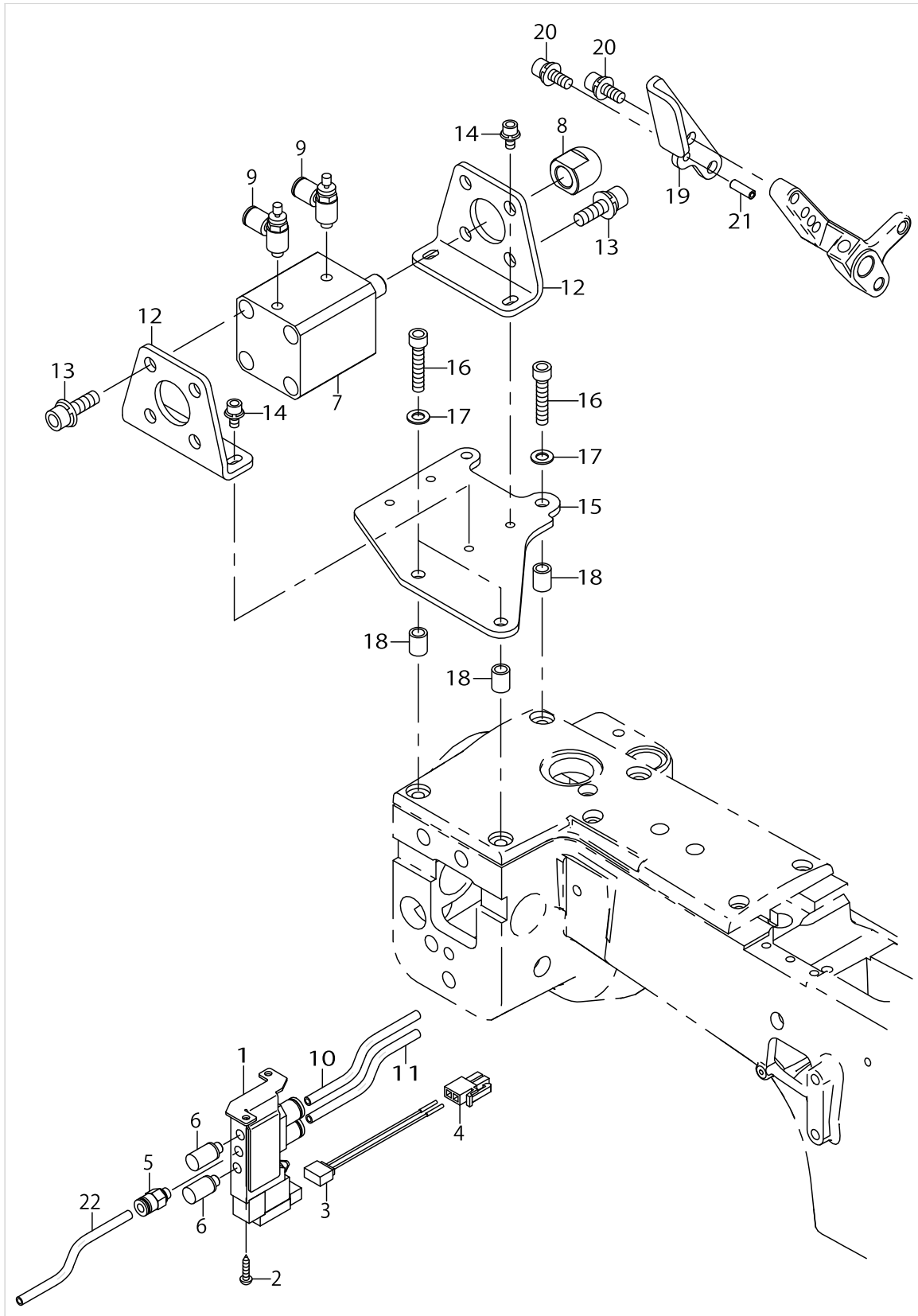
ACCESSORIE PARTS COMPONENTS



ACCESSORIE PARTS COMPONENTS

No.	Parts No.	Parts name	Remarks	Level	Cons	Qty
47	40013640	JUKI_GREASE_B_TUBE			☆	1
48	CM600100201	WEEE INFORMATION SHEET				1
49	40074516	FRESSER_FOOT_SHOE_AA_RIGHT	FOR BOTH SIDE C- UT, DD BOTH SIDE CUT		☆	1
50	40074517	FRESSER_FOOT_SHOE_AA_LEFT	FOR BOTH SIDE C- UT, DD BOTH SIDE CUT		☆	1
51	40074444	CONTROL_BOX_BRACKET	FOR DD ONE SIDE CUT, DD BOTH SIDE CUT			3
52	40084716	RUBBER MOUNTING	FOR DD ONE SIDE CUT, DD BOTH SIDE CUT			3
53	11228103	REVERSE FEED BASE COLLAR				3
54	40074486	EDGE GUIDE	FOR ONE SIDE CUT, DD ONE SIDE CUT			1
55	SM6041050TP	SCREW	FOR ONE SIDE CUT, DD ONE SIDE CUT			1
56	J106600000A	HEXAGONAL ROD SPANNER 1.5MM				1
57	40074577	PLATE_A				1
58	40074578	PLATE_B				1
59	40053286	SCREW				4
60	40074590	FRESSER_FOOT_SHOE_FF_RIGHT	FOR L211			1

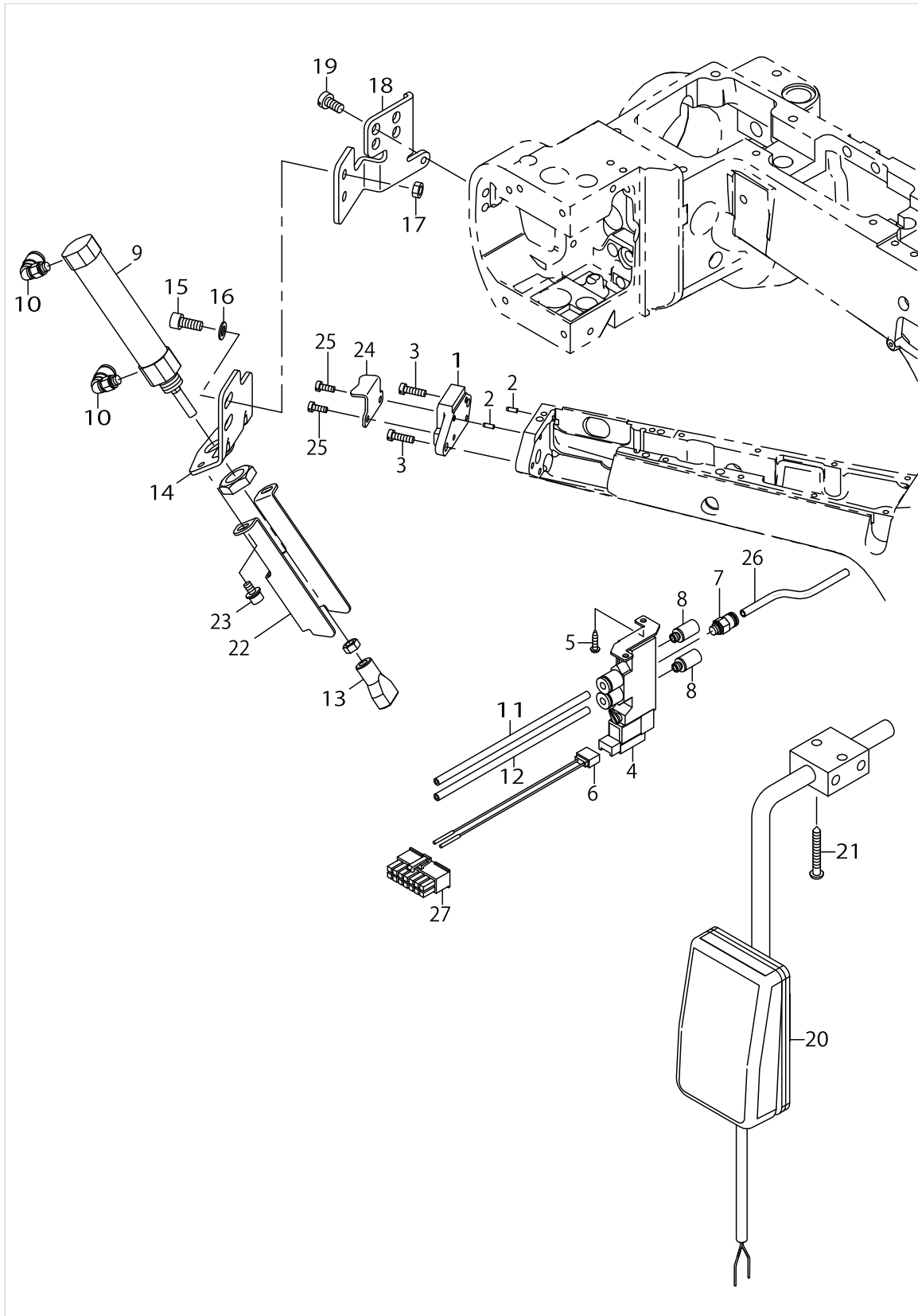
PRESSER LIFTER SET (OPTION)



PRESSER LIFTER SET (OPTION)

No.	Parts No.	Parts name	Remarks	Level	Cons	Qty
1	PV1502060A0	5 PORT SOLENOID VALVE				1
2	SK3271301SE	WOOD SCREW D=2.7 L=13				2
3	40032964	AIR VALVE CABLE ASM				1
4	HK034610020	CONNECTOR				1
5	PJ301040502	HALF UNION 4XM5				1
6	PX050501000	SILENCER				2
7	PA2502507A0	AIR CYLINDER				1
8	13455100	AIR_CYLINDER_CAP				1
9	PC010508000	SPEED CONTROLLER				2
10	BT0400251EB	URETHANE TUBE BLACK 4X2.5				1
11	BT0400251EB	URETHANE TUBE BLACK 4X2.5				1
12	40074430	CYLINDER_BRACKET_A				2
13	SL6062092TN	SCREW M6 L=20				8
14	SL6040892TN	SCREW M4 L=8				4
15	40074431	CYLINDER_BRACKET_B				1
16	SM6052502TP	SCREW M5X0.8 L=25				3
17	WP0550800SP	WASHER 5.5X10X0.8				3
18	D5119206K0K	SPACER				3
19	40074402	CYLINDER_PLATE				1
20	SL6051492TN	SCREW M5 L=14				2
21	PS0400122KP	SPRING PIN				1
22	BT0400251EB	URETHANE TUBE BLACK 4X2.5				0.5

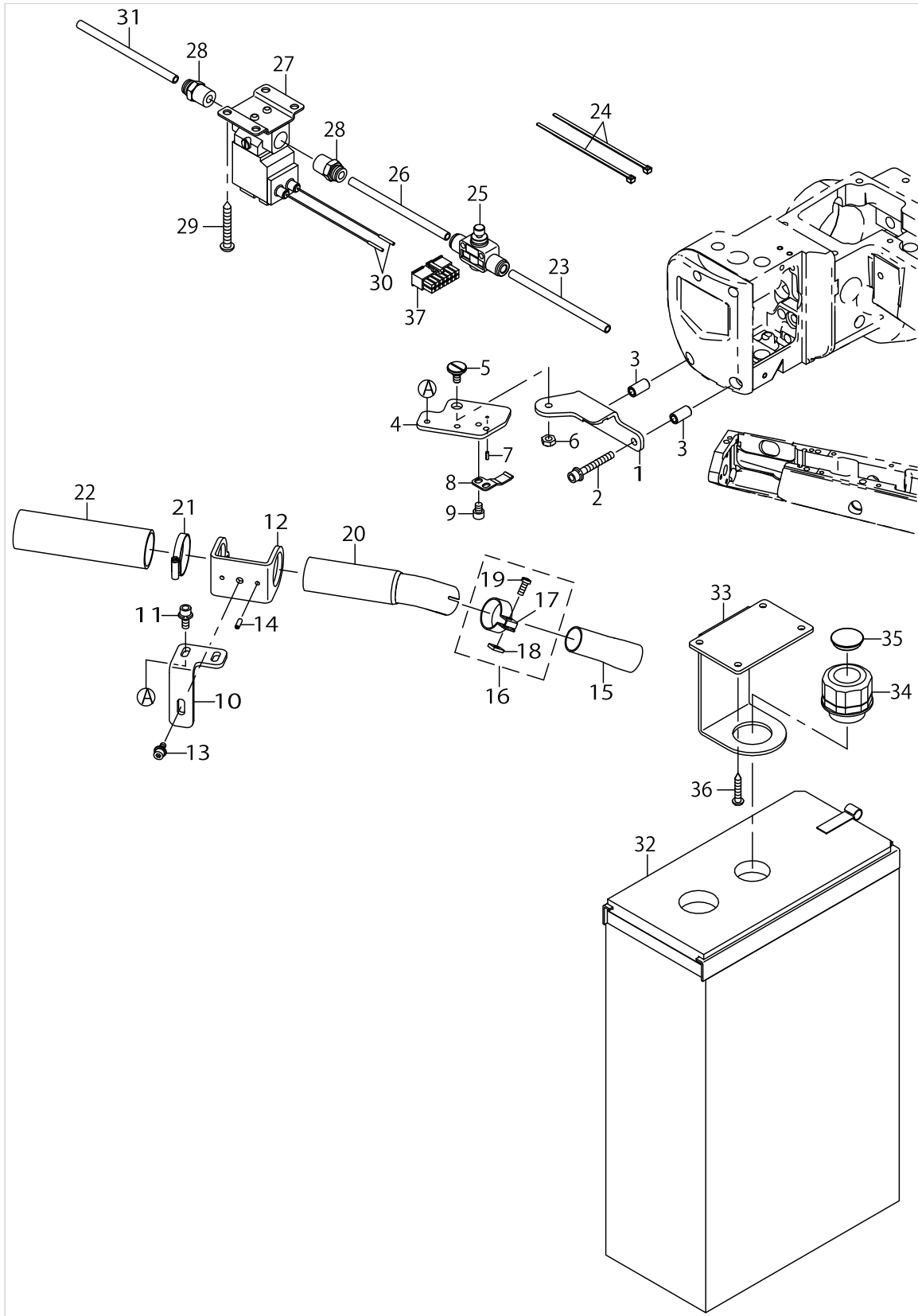
CHAIN OFF THREAD TRIMMER SET (OPTION)



CHAIN OFF THREAD TRIMMER SET (OPTION)

No.	Parts No.	Parts name	Remarks	Level	Cons	Qty
1	40074265	CHAIN_OFF_THREAD_TRIM_BASE				1
2	B1826232000	POSITIONING PIN				2
3	SM6751260TP	SCREW M3.5 L=12				2
4	PV1502060A0	5 PORT SOLENOID VALVE				1
5	SK3271301SE	WOOD SCREW D=2.7 L=13				2
6	40032964	AIR VALVE CABLE ASM				1
7	PJ301040502	HALF UNION 4XM5				1
8	PX050501000	SILENCER				2
9	PA1604508A0	ROD ROLLING STOPPER CYLINDER				1
10	PJ304040504	UNION				2
11	BT0400251EB	URETHANE TUBE BLACK 4X2.5				1
12	BT0400251EB	URETHANE TUBE BLACK 4X2.5				1
13	40074272	CHAIN_OFF_TRIM_HEAD				1
14	40074273	AIR_CYLINDER_STUD_A				1
15	SM6051202TP	SCREW M5X0.8 L=12				2
16	WP0550800SP	WASHER 5.5X10X0.8				2
17	NM6050001SP	NUT M5X0.8 TYPE1				2
18	40074274	AIR_CYLINDER_STUD_B				1
19	SM6051000SP	SCREW				4
20	40004065	KNEE SWITCH ASM.				1
21	SK3413201SE	WOOD SCREW D=4.1 L=32				2
22	40074278	CHAIN_OFF_TRIM_COVER				1
23	SL6040892TN	SCREW M4 L=8				2
24	40074769	CHAIN_OFF_THREAD_GUIDE				1
25	SM6030800SP	SCREW M3X0.5 L=8				2
26	BT0400251EB	URETHANE TUBE BLACK 4X2.5				0.5
27	HK034610140	CONNECTOR				1

CLOTH CHIP SUCTION SET (OPTION)



CLOTH CHIP SUCTION SET (OPTION)

No.	Parts No.	Parts name	Remarks	Level	Cons	Qty
1	40074296	SUCTION_PIPE_BRACKET_A				1
2	SL6043092TN	SCREW M4 L=30				2
3	GAT27010000	COLLAR				2
4	40074297	SUCTION_PIPE_BRACKET_B				1
5	SD0800327TP	SHOULDER SCREW D=8 H=3.2				1
6	NM6050001SP	NUT M5X0.8 TYPE1				1
7	PS0200062KP	SPRING PIN				1
8	40074298	SPRING_PLATE				1
9	SM6040552TP	SCREW M4 L=4.5				2
10	40074403	SUCTION_PIPE_BRACKET_C				1
11	SL6041092TN	SCREW M4 L=10				2
12	40074404	SUCTION_PIPE_BRACKET_D				1
13	SL6041092TN	SCREW M4 L=10				1
14	SM8031002TP	SCREW				2
15	40074409	SUCTION_PIPE_1_ASSY				1
16	40043839	SUCTION_PIPE_JOINT_ASSY				1
17	40043800	SUCTION_PIPE_JOINT		*		1
18	40043815	SUCTION_PIPE_NUT		*		1
19	SM4041055SP	SCREW		*		1
20	40074410	SUCTION_PIPE_2_ASSY				1
21	E1353172000	HOSE BAND				1
22	40059579	HOSE				1
23	BT0600401EB	URETHANE TUBE BLACK 6X4				0.2
24	EA9500B0100	CABLE BAND				2
25	PC012601000	SPEED CONTROLLER				1
26	BT0600401EB	URETHANE TUBE BLACK 6X4				1
27	40049213	SOLENOID VALVE				1
28	PJ301065201	HALF UNION 6XPT1/4				2
29	SK3554001SC	WOOD SCREW D=5.5 L=40				4
30	HK03464000B	TERMINAL				2
31	BT0600401EB	URETHANE TUBE BLACK 6X4				0.5
32	F10010030B0	FILTER ASM.				1
33	F1003003000	FILTER BRACKET				1
34	F1004003000	PIPE GRIP				1
35	TA2050406R0	RUBBER PLUG				1
36	SK3452500SC	WOOD SCREW D=4.5 L=25				4
37	HK034610140	CONNECTOR				1

LIST FOR INFORMATION OF CHANGE (1)

As to the place changed, refer to the corresponding Rev.No.
 When previous parts(Obsoleted part)and new parts(Added parts)are
 not interchangeable with each other:
 In this case,even obsoleted parts(D.)can be ordered with the
 obsoleted part number,so select the parts with changed dates and
 place your orders.

変更箇所は、該当Rev.No.版をご参照ください。
 部品の互換性がない変更の場合は、削除された品番でも、ご注文できます。

40074170
 No.1520-01 Rev.No.

*A:Added parts追加部品/D:Obsoleted parts削除部品/E:Erratum訂正

* Rev. No.	Page 頁	Ref. No.	Parts No. 品番	* Rev. No.	Page 頁	Ref. No.	Parts No. 品番
D 00	2	36	400-68369				
D 00	4	48	SM-6040600-SP	A 01	4	48	SM-6040800-SP
				A 01	6	77	WP-0951016-SP
				A 01	6	79	400-74575
				A 01	6	80	400-74576
D 00	8	4	PS-0150065-KP	A 01	8	4	PS-0150042-K0
D 00	8	42	CQ-2000000-00	A 01	8	42	CQ-2520000-00
D 00	10	7	SD-0700406-TP	A 01	10	7	SD-0700586-TP
D 00	10	32	400-74529				
D 00	10	33	400-74530				
D 00	10	34	400-74538				
D 00	10	35	400-74539				
				A 01	10	43	400-74332
				A 01	12	1	400-74529
				A 01	12	2	400-74530
				A 01	12	3	400-74538
				A 01	12	4	400-74539
				A 01	12	5	400-74531
				A 01	12	6	400-74533
				A 01	14	55	EA-9500B01-00
				A 01	16	71	CQ-3030000-00
				A 01	16	72	134-12705
				A 01	16	73	400-74574
D 00	18	10	SM-6030600-SP	A 01	18	10	SM-6030800-SP
D 00	18	38	SM-6040870-SP	A 01	18	38	SM-6030500-SN
D 00	20	13	SM-8020302-TP	A 01	20	13	SM-8020202-UZ
D 00	20	30	400-74327	A 01	20	30	400-74727
				A 01	20	34	EA-9500B01-00
				A 01	20	35	236-30007
D 00	24	29	WP-0621016-SH	A 01	24	29	WP-0621036-SP
				A 01	24	54	400-74486
				A 01	24	55	SM-6041050-TP
				A 01	24	56	J1066-000-00A
				A 01	24	57	400-74577
				A 01	24	58	400-74578
				A 01	24	59	400-53286

HOW TO MAKE USE OF THIS PARTS LIST

1.Explanation of codes

1)"*"mark.....means this part is changed from the previous parts book.

As to the details of the change, refer to the "List for information of change".

2)"#01".....refer to "Note" explanation at bottom of page.

2.Codes on the "Qty" column

- Each numeral indicates the number of parts required.
- "0.1" and "2.5" indicate the length (in meters) of the respective parts.

3.Parentheses mean that the corresponding part is a subpart that constructs an assembly part.

4.Dotted lines on the Figures indicate assembly parts.

5.As to the parts with marks of "☆"(consumable parts) and "◎"(optional parts)on the respective parts, it is recommended to prepare spares.

1 ."注記"欄の記号説明

1) "*"印.....前回のパーツブックに比較して今回変更された部品を意味します。

変更内容は、"変更情報リスト"を参照してください。

2) "#01".....ページ下の"注記"の説明を参照してください。

2.数量欄の数字は、個数を表し、0.1、2.5等の数値は、長さ（単位メートル）を表します。

3.数量欄の（ ）は、組部品を構成している子部品であることを意味します。

4.イラストページの-----枠は、組構成であることを意味します。

5.リストページの"☆"（消耗部品）、"◎"（オプション部品）の印がついた部品は、予備を準備しておくことをお奨めします。

NUMERICAL INDEX OF PARTS

PART NO	PAGE	REF NO.	PART NO	PAGE	REF NO.	PART NO	PAGE	REF NO.
11228103	40	35-53	22933006	38	4	40067014	6	45
11856101	10	48	22933105	38	3	40067056	6	35
11856101	12	48	22962609	38	35-53	40067058	6	34
12288403	38	5	23629306	22	37	40067059	6	33
12347308	38	2	23630007	34	35	40067116	34	9
13138201	30	18	23630106	34	20	40067120	34	17
13138508	30	19	26037903	38	7	40067123	34	19
13138805	30	20	40004065	44	20	40067133	26	11
13140504	30	21	40008423	14	38	40067149	10	49
13140504	34	31	40013640	40	47	40067149	12	49
13160304	38	6	40032964	42	3	40067155	10	63
13167903	36	7	40032964	44	6	40067155	12	63
13168000	36	8	40042363	30	22	40067166	10	43
13168109	36	9	40042364	30	23	40067167	10	42
13168356	36	2	40042365	30	24	40067172	10	22
13168406	36	29	40043800	46	17	40067173	10	23
13168505	36	28	40043815	46	18	40067221	16	19
13168802	36	3	40043839	46	16	40067225	16	17
13170105	4	65	40048536	38	18	40067238	38	31
13170105	6	39	40049213	46	27	40067239	38	32
13171004	4	66	40053286	20	53	40067311	38	10~15
13171004	6	38	40053286	40	59	40068392	12	70
13301908	24	50	40055591	38	10~15	40068424	22	14
13302500	24	51	40056675	36	10	40068425	22	13
13377304	28	53	40059579	46	22	40068426	22	23
13412705	26	72	40066856	4	48	40068427	22	21
13412705	28	72	40066869	2	45	40068434	14	16
13455100	42	8	40066871	2	44	40068467	10	3
16556508	26	34	40066873	2	46	40068470	10	21
16960205	26	31	40066883	2	35	40068575	16	18
18347500	26	42	40066892	4	62	40068588	38	33
22901805	2	29	40066892	6	21	40068589	38	34
22902506	2	14	40066895	4	61	40068601	22	15
22924302	2	42	40066897	4	59	40068663	10	11
22924708	2	11	40066898	4	56	40068664	10	12
22930309	36	11	40066902	6	6	40069918	10	50
22930408	36	5	40066909	6	44	40069918	12	50
22930705	36	27	40066918	6	20	40069918	14	37
22930804	36	15	40066919	6	24	40070075	2	63
22930903	36	14	40066928	6	29	40070075	4	63
22931000	36	13	40066929	6	30	40070191	10	1
22931109	36	12	40066968	6	22	40070353	22	16
22931307	36	6	40067003	6	28	40072506	36	1
22931406	36	4	40067008	12	68	40074159	24	52
22932800	38	1	40067009	12	69	40074161	24	48

NUMERICAL INDEX OF PARTS

PART NO	PAGE	REF NO.	PART NO	PAGE	REF NO.	PART NO	PAGE	REF NO.
40074162	24	53	40074277	6	37	40074373	30	30
40074163	22	46	40074278	44	22	40074375	4	73
40074169	24	54	40074296	46	1	40074376	4	74
40074220	4	64	40074297	46	4	40074377	4	75
40074222	4	82	40074298	46	8	40074379	4	78
40074223	4	84	40074300	34	2	40074382	32	50
40074224	4	57	40074306	2	15	40074390	34	18
40074225	4	58	40074310	2	17	40074393	30	42
40074226	8	56	40074311	2	19	40074395	34	16
40074227	8	57	40074312	2	20	40074396	34	15
40074228	8	58	40074313	2	21	40074402	42	19
40074229	6	1	40074314	2	22	40074403	46	10
40074231	6	7	40074315	30	1	40074404	46	12
40074232	38	36	40074316	30	8	40074409	46	15
40074233	38	37	40074317	30	11	40074410	46	20
40074234	6	13	40074318	30	12	40074411	30	17
40074235	6	14	40074319	30	13	40074415	22	34
40074236	6	15	40074322	30	14	40074430	42	12
40074237	6	17	40074326	34	29	40074431	42	15
40074238	6	18	40074328	30	6	40074432	30	3
40074239	6	25	40074329	30	7	40074433	4	51
40074240	6	26	40074330	30	25	40074438	34	8
40074242	6	42	40074331	30	26	40074440	4	52
40074243	6	43	40074332	16	43	40074443	2	38
40074244	6	19	40074332	30	27	40074444	40	51
40074246	6	11	40074333	30	28	40074450	16	33
40074247	6	31	40074334	30	29	40074451	16	34
40074248	6	47	40074336	30	32	40074452	26	27
40074249	26	7	40074337	30	33	40074453	28	52
40074250	26	8	40074338	30	34	40074454	26	30
40074251	26	13	40074339	30	35	40074455	26	33
40074252	26	16	40074340	30	39	40074456	16	41
40074253	26	21	40074341	30	41	40074457	26	37
40074254	26	22	40074344	30	46	40074458	26	38
40074255	26	24	40074345	30	47	40074460	26	47·69
40074256	26	25·68	40074347	32	49	40074461	28	49
40074258	28	25·68	40074349	34	1	40074464	28	54
40074259	6	46	40074350	34	3	40074465	28	55
40074262	6	41	40074351	34	4	40074466	28	57
40074263	6	10	40074358	34	5	40074467	28	58
40074264	6	23	40074364	34	10	40074468	28	59
40074265	44	1	40074365	34	11	40074469	28	60
40074272	44	13	40074367	34	21	40074470	28	63
40074273	44	14	40074368	34	24	40074471	28	50
40074274	44	18	40074370	34	25	40074473	28	47·69

NUMERICAL INDEX OF PARTS

PART NO	PAGE	REF NO.	PART NO	PAGE	REF NO.	PART NO	PAGE	REF NO.
40074480	8	59	40074531	18	1~6	40074610	18	10~13
40074481	8	53	40074533	18	1~6	40074611	18	14~17
40074482	8	54	40074538	18	1~6	40074615	10	10
40074483	8	55	40074539	18	1~6	40074616	10	13
40074484	6	2	40074549	2	34	40074617	10	25
40074485	8	51	40074550	16	1	40074618	10	27
40074486	40	54	40074551	16	3	40074619	10	31
40074487	18	7	40074552	16	6	40074622	10	32
40074488	18	8	40074553	16	8	40074623	10	33
40074489	18	9	40074554	16	9	40074627	10	34
40074490	26	10	40074555	16	10	40074627	14	19
40074491	28	67·70	40074556	16	13	40074629	10	39
40074493	18	14~17	40074557	4	50	40074630	10	40
40074494	18	18~20	40074558	38	26	40074632	10	44
40074495	18	18~20	40074559	16	16	40074633	10	46
40074496	18	18~20	40074560	16	22	40074634	10	47
40074497	18	21	40074561	16	23	40074635	12	51
40074498	18	22	40074562	16	24	40074637	12	52
40074499	20	50·52·54	40074563	16	25	40074638	12	53
40074500	18	23~26	40074564	16	26	40074641	12	55
40074501	18	23~26	40074565	16	27	40074642	12	56
40074502	18	27·28	40074566	16	28	40074643	12	57
40074503	18	30	40074567	16	30	40074645	12	62
40074504	18	31	40074568	16	31	40074646	12	64
40074505	18	32·33	40074569	16	40	40074648	12	67
40074506	18	34	40074570	16	39	40074649	12	71
40074507	18	35	40074571	38	21	40074653	12	72
40074508	18	36	40074572	20	51	40074654	12	73
40074509	18	37	40074573	20	50·52·54	40074655	12	74
40074510	18	38	40074574	28	73	40074656	14	1
40074511	18	39·40	40074575	12	79	40074658	10	2
40074512	18	41	40074576	12	80	40074659	10	58
40074513	18	42	40074577	40	57	40074659	12	58
40074514	18	32·33	40074578	40	58	40074660	14	6
40074515	20	50·52·54	40074580	18	23~26	40074661	14	10
40074516	40	24·49	40074582	18	23~26	40074662	10	5
40074517	40	25·50	40074586	18	27·28	40074663	14	11
40074518	38	24·49	40074589	18	10~13	40074664	14	13
40074519	38	25·50	40074590	40	60	40074665	14	14
40074520	18	10~13	40074600	14	3	40074666	14	15
40074521	18	14~17	40074601	10	6	40074667	14	17
40074527	18	39·40	40074602	10	9	40074668	14	21
40074528	28	67·70	40074603	10	15	40074671	14	22
40074529	18	1~6	40074608	10	17	40074672	14	23
40074530	18	1~6	40074609	10	19	40074677	14	28

NUMERICAL INDEX OF PARTS

PART NO	PAGE	REF NO.	PART NO	PAGE	REF NO.	PART NO	PAGE	REF NO.
40074678	14	31	40075306	22	39~42	HK034610140	46	37
40074679	14	33	40075307	22	39~42	HK03464000B	46	30
40074680	14	34	40076293	10	59	J106600000A	40	56
40074681	14	35	40076293	12	59	J106600000C	38	10~15
40074684	14	39	40079298	38	10~15	J106600000F	38	10~15
40074705	18	10~13	40083674	38	40	J106600000G	38	10~15
40074706	18	14~17	40083683	38	43	MDFRX2001L09	38	17
40074723	2	26	40084716	40	52	MFL118B1000	26	1
40074724	2	28	B1826232000	44	2	MFL118B1005	38	22·23
40074727	34	30	B1908505000	30	36	MFLG80B0800	26	2
40074728	2	30	B210348100A	22	28~30	MFLG80B0802	38	22·23
40074729	2	32	B210348100B	22	28~30	NM6040001SP	4	83
40074732	4	54	B210348100C	22	28~30	NM6040002SE	36	23
40074733	4	53	B9113012000	38	8·9	NM6040003SC	26	45
40074734	4	67	B91210120A0	38	16	NM6050001SE	36	33
40074735	4	80	B9143372000	38	8·9	NM6050001SP	10	54
40074736	2	3	BT0400251EB	42	22	NM6050001SP	12	54
40074737	2	9	BT0400251EB	44	26	NM6050001SP	14	27
40074738	2	10	BT0600401EB	46	31	NM6050001SP	44	17
40074739	22	18	CM300200001	2	39	NM6050001SP	46	6
40074740	22	1	CM300200001	6	9	NM6050002SC	26	36
40074741	22	33	CM301200001	2	33	NM6050003SC	26	32
40074742	22	4	CM500300001	2	37	NM6060001SE	36	32
40074746	22	9	CM600100101	2	31	NM6060003SC	26	46
40074750	22	11	CM600100201	40	48	NM6060003SP	12	60
40074751	22	12	CQ200000000	10	20	NM6060003SP	14	29
40074754	22	25	CQ200000000	28	65	NM6060003SP	16	11
40074755	22	27	CQ200000000	34	32	NM6160511SE	36	26
40074756	22	31	CQ200000001	34	33	PA1604508A0	44	9
40074759	26	5	CQ252000000	14	42	PA2502507A0	42	7
40074761	26	18	CQ303000000	28	71	PC010508000	42	9
40074762	26	19	CS0800881TP	14	25	PC012601000	46	25
40074765	4	70	D5119206K0K	42	18	PJ301040502	42	5
40074766	4	68	E1353172000	46	21	PJ301040502	44	7
40074767	4	69	E3762725000	30	37	PJ301065201	46	28
40074768	4	77	EA9500B0100	24	55	PJ304040504	44	10
40074769	44	24	EA9500B0100	34	34	PS0150042K0	14	4
40074770	22	44	EA9500B0100	46	24	PS0160162KH	22	2
40074772	26	23	F10010030B0	46	32	PS0200062KP	46	7
40074773	26	39	F1003003000	46	33	PS0400122KP	42	21
40074774	26	40	F1004003000	46	34	PS0400202KP	16	38
40074775	22	6	G5313172000	26	3	PV1502060A0	42	1
40074777	4	60	GAT27010000	46	3	PV1502060A0	44	4
40075304	22	39~42	HK034610020	42	4	PX050501000	42	6
40075305	22	39~42	HK034610140	44	27	PX050501000	44	8

NUMERICAL INDEX OF PARTS

PART NO	PAGE	REF NO.	PART NO	PAGE	REF NO.	PART NO	PAGE	REF NO.
RE0500000K0	14	32	SM4040501SN	6	16	SM6040802TP	28	56
RE1000000K0	26	41	SM4040501SN	34	27	SM6040860TP	14	5
RO029180100	38	28	SM4040555SP	2	8	SM6040870SP	34	6
RO061180100	10	75	SM4040655SP	6	27	SM6040950TP	10	35
RO061180100	12	75	SM4040655SP	34	14	SM6040950TP	14	20
RO098190100	34	7	SM4040800SP	10	18	SM6041000SP	16	42
RO137230100	2	47	SM4040855SP	4	81	SM6041000SP	26	15
RO148240200	2	12	SM4041001SC	36	19	SM6041002TP	14	9
SB120002200	22	20	SM4041050TP	10	14	SM6041050TP	40	55
SD0601036TP	26	44	SM4041055SP	2	76	SM6041200SP	26	6
SD0640246SP	4	86	SM4041055SP	4	76	SM6041202TP	16	35
SD0650326TP	10	41	SM4041055SP	22	43	SM6050610SC	2	24
SD0700586TP	16	7	SM4041055SP	46	19	SM6050610SC	30	2
SD0701206TP	4	72	SM4041201SC	36	21	SM6050650TP	38	27
SD0800327TP	30	4	SM4042001SC	36	22	SM6050800SP	18	47
SD0800327TP	46	5	SM4051055SP	2	1	SM6050800SP	32	48
SD0950646TP	12	65	SM4051255SP	4	49	SM6051000SP	2	23
SK3271301SE	42	2	SM4051405SE	36	17	SM6051000SP	44	19
SK3271301SE	44	5	SM4061201SE	36	31	SM6051002TP	16	15
SK3382001SE	36	30	SM5040855SN	16	4	SM6051002TP	38	39
SK3412001SE	38	45	SM6020250TP	18	44	SM6051202TP	6	36
SK3413201SE	44	21	SM6020460TP	2	18	SM6051202TP	14	12
SK3452500SC	46	36	SM6020460TP	30	9	SM6051202TP	44	15
SK3554001SC	46	29	SM6020600TP	30	43	SM6051250TP	22	38
SL6040892TN	42	14	SM6030350SD	18	45	SM6051260SP	30	16
SL6040892TN	44	23	SM6030350SN	6	3	SM6051450TP	2	2
SL6041092TN	46	13	SM6030350TP	14	2	SM6051450TP	22	32
SL6043092TN	46	2	SM6030500SN	30	45	SM6052502TP	24	49
SL6051492TN	42	20	SM6030502TP	10	16	SM6052502TP	42	16
SL6052592TN	22	5	SM6030650TP	6	8	SM6061402TP	38	30
SL6062092TN	42	13	SM6030800SP	26	9	SM6061610SC	36	16
SL6062592TN	4	79	SM6030800SP	30	10	SM6063502TP	38	41
SL6063092TN	2	40	SM6030800SP	38	38	SM6083852TP	6	5
SM1020450TH	26	4	SM6030800SP	44	25	SM6103502TP	38	20
SM1020450TP	18	43	SM6030802TP	28	62	SM67506A0TP	10	45
SM1030400SP	6	32	SM6030850TP	22	24	SM67506A0TP	14	30
SM1040750TP	4	55	SM6031002TP	28	48	SM67506A0TP	26	12
SM1040750TP	6	40	SM6040552TP	46	9	SM6751260TP	44	3
SM1040750TP	12	66	SM6040600SP	2	41	SM6850350TP	20	48
SM1040800SP	4	71	SM6040650TP	2	27	SM7030450SC	16	21
SM1040950TP	12	76	SM6040650TP	30	31	SM8020202UZ	34	13
SM2750750TP	22	26	SM6040660TP	26	14	SM8030350TP	30	44
SM4030455SN	2	36	SM6040800SP	8	48	SM8030450SP	16	29
SM4030455SN	8	60	SM6040800SP	18	46	SM8030612TP	18	29
SM4040455SP	2	7	SM6040800SP	28	51	SM8030612TP	22	3

NUMERICAL INDEX OF PARTS

PART NO	PAGE	REF NO.	PART NO	PAGE	REF NO.
SM8030612TP	26	17	WS0510002KN	36	34
SM8031002TP	46	14	WS1643202KR	36	25
SM8040412TP	2	25	WZ0641510KP	4	85
SM8040612TP	14	40	WZ0850302K0	30	5
SM8040612TP	16	37			
SM8050412TP	8	50			
SM8050412TP	14	26			
SM8050412TP	22	10			
SM8050412TP	28	66			
SM8050512TP	26	20			
SM80506A2TP	12	78			
SM8050812TP	10	24			
SM8050812TP	14	41			
SM8050812TP	22	22			
SM8060612TP	22	45			
SM8060812TP	16	14			
SM8060812TP	22	47			
SM8480452TP	28	61			
SM8850302TP	14	7			
SM8850302TP	20	49			
SM8850302TP	28	64			
SM8850350TP	26	26			
SM9050850SP	16	12			
SM9051400SN	16	32			
SQ2050453MZ	22	35			
SS1151310TP	38	42			
TA1470704R0	38	46			
TA2050406R0	46	35			
WP0360516SD	8	52			
WP0410846SC	6	4			
WP0430800SC	8	49			
WP0430800SC	16	36			
WP0430800SC	34	26			
WP0450801SD	16	5			
WP0450826SC	38	44			
WP0500916SD	22	36			
WP0550800SP	42	17			
WP0550800SP	44	16			
WP0621026SP	26	43			
WP0621036SP	38	29			
WP0621046SP	14	36			
WP0651056SH	12	61			
WP0951016SP	12	77			
WP1051416SD	38	19			
WP1612616SE	36	24			