

MODEL : MD10 A仕様

List No : 1518-00

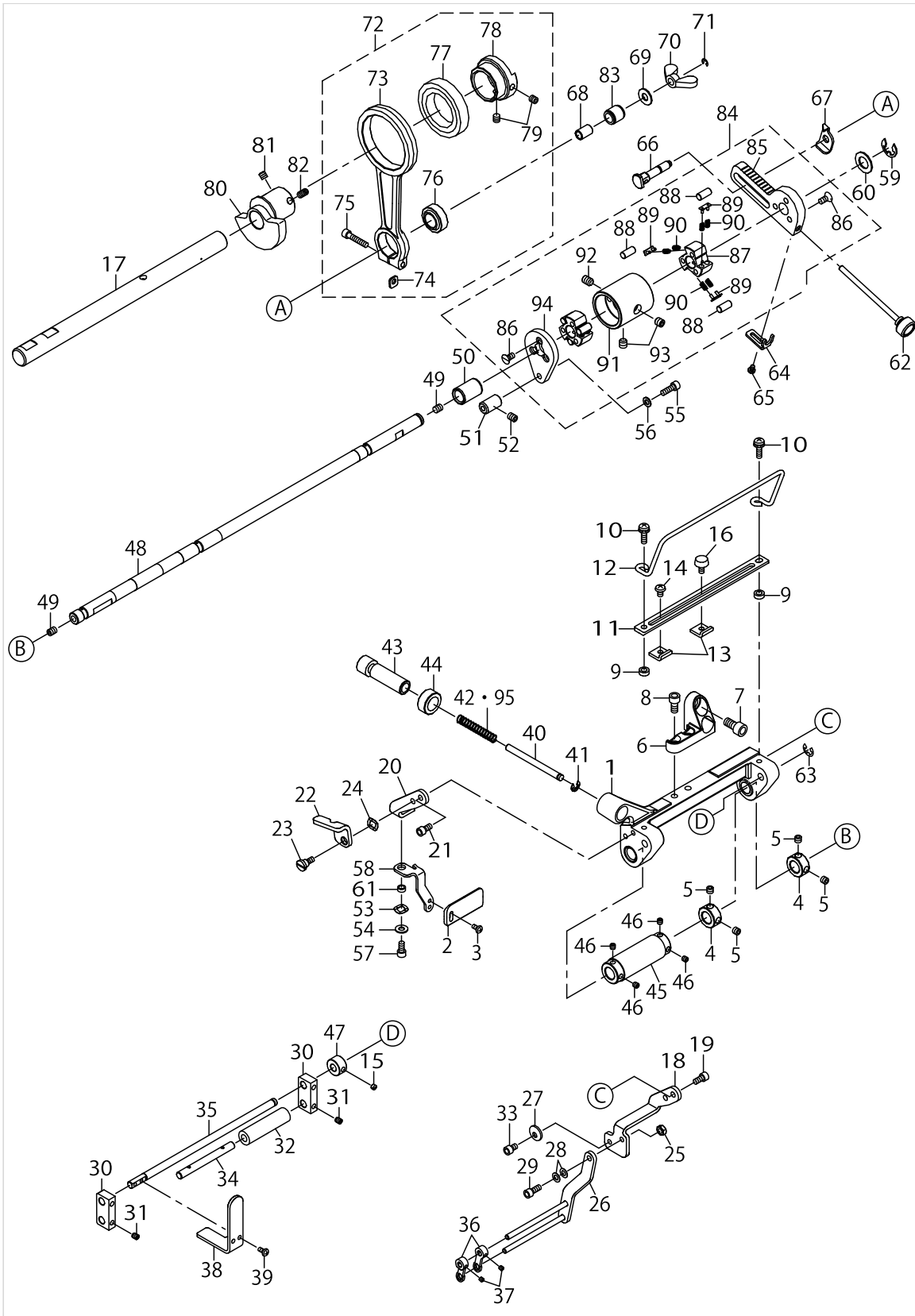
PARTS LIST

Published:09/10/2017

CONTENTS

DEVICE COMPONENTS	1
ACCESSORIE PARTS COMPONENTS	7
HOW TO MAKE USE OF THIS PARTS LIST	9

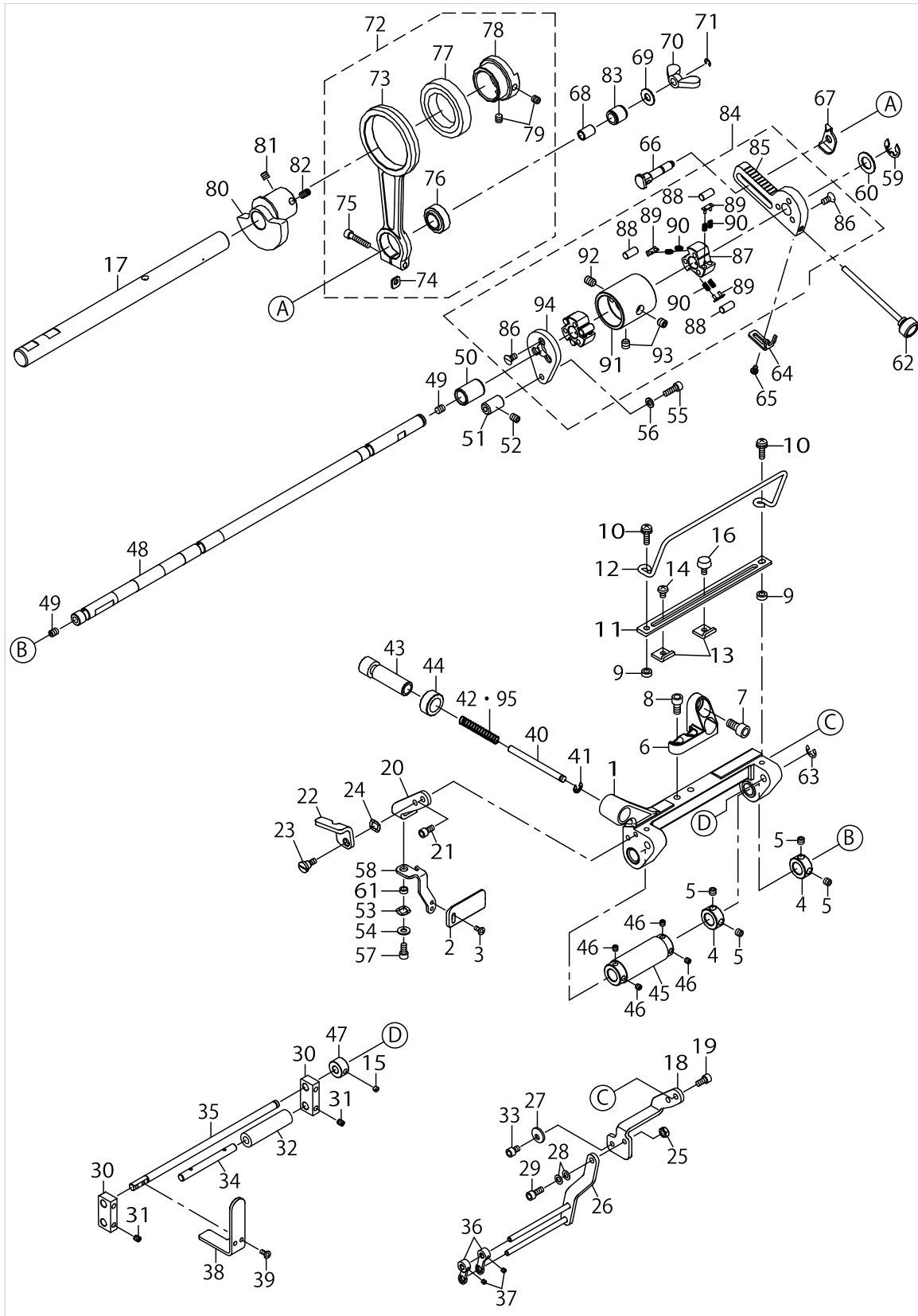
DEVICE COMPONENTS



DEVICE COMPONENTS

No.	Parts No.	Parts name	Remarks	Level	Cons	Qty
1	40061208	BASE_ASSY				1
2	40020003	PROTECTION_SHIELD				1
3	SM4030655SP	SCREW				2
4	CS1000881TP	THRUST COLLAR				2
5	SM8050412TP	SCREW M5 L=4				4
6	40013671	INSTALLING_BASE				1
7	SM6061202TP	SCREW M6 L=12				2
8	SM6051002TP	SCREW M5X0.8 L=10				2
9	B3013141H0A	WASHER				2
10	SL4041491SC	SCREW 4 X 14				2
11	40013674	GUIDE_PLATE				1
12	40011207	SUPPORT_GUIDE_B				1
13	40018265	SIDE_GUIDE_A				3
14	SM5040655SN	SCREW				1
15	SM8040360TP	SCREW				1
16	40019379	KNOB_SCREW				1
17	40011202	UPPER_MAINSHAFT_RIGHT				1
18	40079809	TAPE_GUIDE_ARM_A				1
19	SM6040802TP	SCREW M4X0.7 L=8				2
20	40079810	EYE_GUARD_ARM_A				1
21	SM6040802TP	SCREW M4X0.7 L=8				1
22	40019606	DRIVEN_ROLLER_STOPPER				1
23	SD0600406TP	SHOULDER SCREW				1
24	WZ0641510KP	WAVED WASHER 6.4X11X0.3				1
25	NM6040002SN	NUT M4				1
26	40079802	GUIDE_ARM_ASSY				1
27	40079808	STOPPER				1
28	WZ0420350KP	DISC SPRING				2
29	SM6041002TP	SCREW M4 L=10				1
30	40064101	DRIVEN_ROLLER_ARM				2
31	SM8040512TP	SCREW				4
32	40062309	DRIVEN_ROLLER				1
33	SM6040602TP	SCREW M4 L=6				1
34	40064102	DRIVEN_ROLLER_SHAFT				1
35	40072933	DRIVEN_ROLLER_ARM_SHAFT				1
36	40079805	TAPE_STOPPER				2
37	SM8030312TP	SCREW M3 L=3				2
38	40018261	PRESSER_PLATE				1
39	SM4030655SP	SCREW				2
40	40011178	PRESSER_BAR				1
41	RE0400000K0	E-RING 4				1
42	40075049	SPRING	OPTIONAL PARTS			1
43	40011179	PRESSER SPRING REGULATOR				1
44	40011180	NUT				1
45	40062308	DRIVE_ROLLER				1
46	SM8040412TP	SET SCREW M4 L=4				4
47	40024781	SG_COLLAR				1

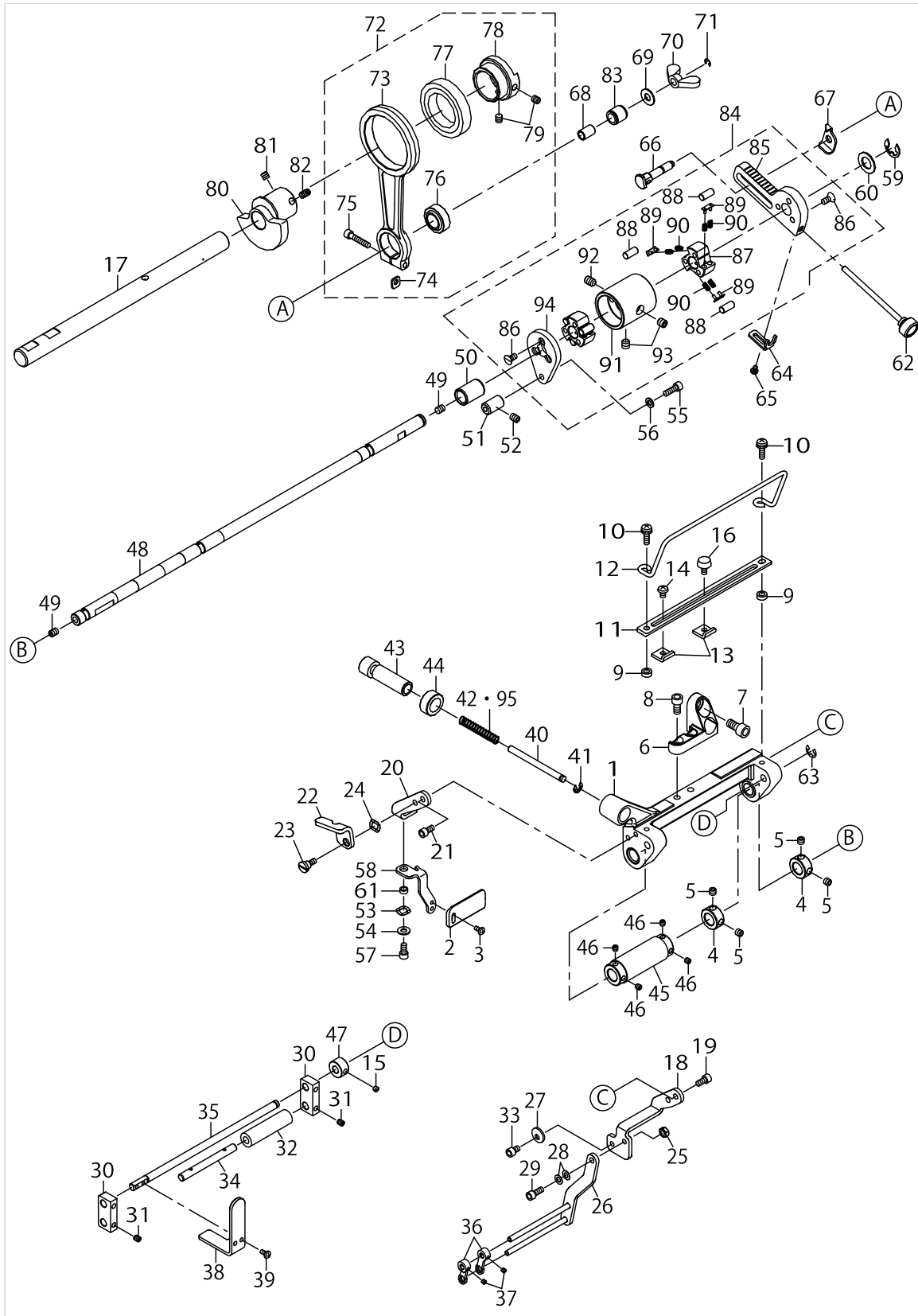
DEVICE COMPONENTS



DEVICE COMPONENTS

No.	Parts No.	Parts name	Remarks	Level	Cons	Qty
48	40072923	DRIVE_SHAFT				1
49	SM8050612TP	SCREW M5X6				2
50	40019621	DRIVE_SHAFT_METAL_A				1
51	40011189	BUSHING				1
52	SM8050612TP	SCREW M5X6				1
53	WZ0641510KP	WAVED WASHER 6.4X11X0.3				1
54	WP0450801SP	WASHER				1
55	SM6041202TP	SCREW M4X0.7 L=12				1
56	WP0430800SC	WASHER M4				1
57	SM6040802TP	SCREW M4X0.7 L=8				1
58	40079811	EYE_GUARD_ARM_B				1
59	RE0800000K0	E-SHAPED SNAP RING (8MM)				1
60	WP1021016SD	WASHER				1
61	40072932	COLLAR				1
62	40011195	FEED_REGULATOR_SCREW				1
63	RE0500000K0	E-RING				1
64	40011196	FEED_REGULATOR_FIX_PLATE				1
65	SM4030455SP	SCREW				2
66	40011198	FULCRUM_SHAFT				1
67	40011197	SCALE_POINTER				1
68	40019622	NEEDLE_INNER_RING				1
69	WP0621046SP	WASHER				1
70	NM9060610SE	WING NUT M6				1
71	RE0300000K0	E-RING 3				1
72	40020164	FEED_ROD_ASSY				1
73	40011200	FEED_ROD		*		1
74	40019629	SPACER		*		1
75	SM6042002TP	SCREW M4X0.7 L=20		*		1
76	40019994	SLIDE_SHAFT HOLDER		*		1
77	SB130000500	BEARING		*		1
78	40019637	FEED_CAM_B		*		1
79	SM8050502TP	SCREW M5 L=5		*		2
80	40075355	FEED_CAM_A				1
81	SM8050502TP	SCREW M5 L=5				1
82	SM8051002TP	SCREW M5 L=10				1
83	SB30800120A	BEARING				1
84	40072935	CLUTCH_ASSY				1
85	40072920	FEED_REGULATOR_ARM		*		1
86	SM1040950TP	SCREW M4 L=9		*		6
87	40072914	CLUTCH		*		2
88	40072916	PIN		*		6
89	40072919	GUIDE_PLATE_ASSY		*		6
90	40072922	SPRING		*		12
91	40072915	DRUM_CLUTCH		*		1
92	SM8060812TP	SCREW M6 L=8		*		1
93	SM8060612TP	SCREW M6 L=6		*		2
94	40072921	CLUTCH_MOUNTING_PLATE		*		1

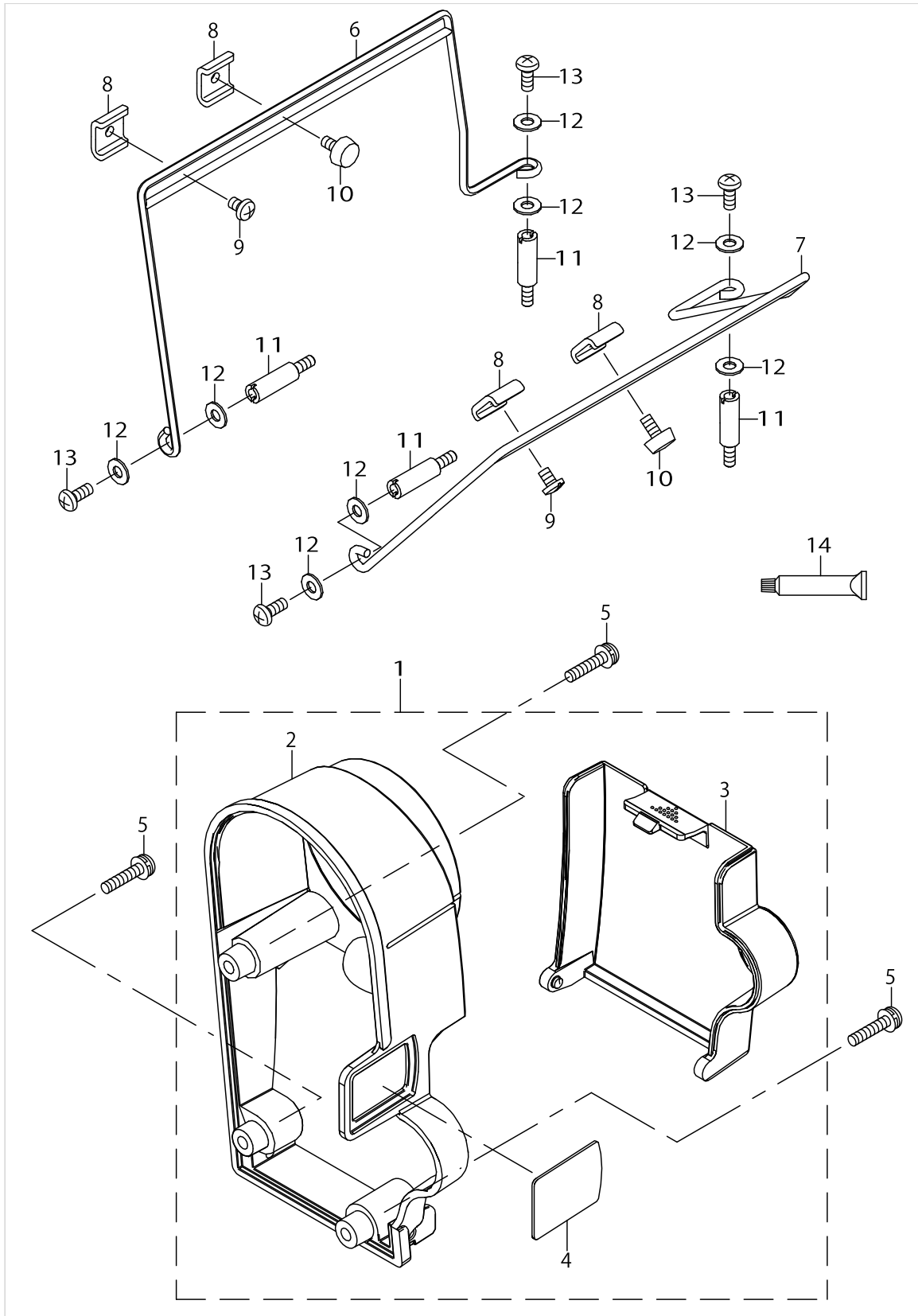
DEVICE COMPONENTS



DEVICE COMPONENTS

No.	Parts No.	Parts name	Remarks	Level	Cons	Qty
95	40019668	SPRING				1

ACCESSORIE PARTS COMPONENTS



ACCESSORIE PARTS COMPONENTS

No.	Parts No.	Parts name	Remarks	Level	Cons	Qty
1	40020190	PULLEY_COVER_ASSY				1
2	40011410	PULLEY_COVER_A		*		1
3	40011411	PULLEY_COVER_B		*		1
4	40020189	PULLEY_COVER_C		*		1
5	SL4042091SC	SCREW M4X0.7 L=20				3
6	40072924	SUPPORT GUIDE C				1
7	40012144	SUPPORT_GUIDE_A				1
8	40018266	SIDE_GUIDE_B				4
9	SM5040655SN	SCREW				2
10	40019379	KNOB_SCREW				2
11	40011205	STUD				4
12	WP0450826SC	WASHER 4.5X10X0.8				8
13	SM4041055SP	SCREW				4
14	13525506	GREASE TUBE				1

HOW TO MAKE USE OF THIS PARTS LIST

1.As to "#01" and "#02" refer to the "Note" given at the bottom of the respective pages.

2.Codes on the "Qty" column

- Each numeral indicates the number of parts required.
- "0.1" and "2.5" indicate the length (in meters) of the respective parts.

3.Parentheses mean that the corresponding part is a subpart that constructs an assembly part.

4.Dotted lines on the Figures indicate assembly parts.

1. リストページの# 0 1、# 0 2の印は、ページ下の"注記"の説明を参照下さい。
2. 数量欄の数字は、個数を表し、0. 1、2. 5等の数値は、長さ（単位メートル）を表します。
3. 数量欄の（ ）は、組部品を構成している子部品であることを意味します。
4. イラストページの-----枠は、組構成であることを意味します。

NUMERICAL INDEX OF PARTS

PART NO	PAGE	REF NO.	PART NO	PAGE	REF NO.	PART NO	PAGE	REF NO.
13525506	8	14	40072921	4	94	SM8040512TP	2	31
40011178	2	40	40072922	4	90	SM8050412TP	2	5
40011179	2	43	40072923	4	48	SM8050502TP	4	81
40011180	2	44	40072924	8	6	SM8050612TP	4	52
40011189	4	51	40072932	4	61	SM8051002TP	4	82
40011195	4	62	40072933	2	35	SM8060612TP	4	93
40011196	4	64	40072935	4	84	SM8060812TP	4	92
40011197	4	67	40075049	2	42	WP0430800SC	4	56
40011198	4	66	40075355	4	80	WP0450801SP	4	54
40011200	4	73	40079802	2	26	WP0450826SC	8	12
40011202	2	17	40079805	2	36	WP0621046SP	4	69
40011205	8	11	40079808	2	27	WP1021016SD	4	60
40011207	2	12	40079809	2	18	WZ0420350KP	2	28
40011410	8	2	40079810	2	20	WZ0641510KP	2	53
40011411	8	3	40079811	4	58	WZ0641510KP	4	53
40012144	8	7	B3013141H0A	2	9			
40013671	2	6	CS1000881TP	2	4			
40013674	2	11	NM6040002SN	2	25			
40018261	2	38	NM9060610SE	4	70			
40018265	2	13	RE0300000K0	4	71			
40018266	8	8	RE0400000K0	2	41			
40019379	2	16	RE0500000K0	4	63			
40019379	8	10	RE0800000K0	4	59			
40019606	2	22	SB130000500	4	77			
40019621	4	50	SB30800120A	4	83			
40019622	4	68	SD0600406TP	2	23			
40019629	4	74	SL4041491SC	2	10			
40019637	4	78	SL4042091SC	8	5			
40019668	6	95	SM1040950TP	4	86			
40019994	4	76	SM4030455SP	4	65			
40020003	2	2	SM4030655SP	2	39			
40020164	4	72	SM4041055SP	8	13			
40020189	8	4	SM5040655SN	2	14			
40020190	8	1	SM5040655SN	8	9			
40024781	2	47	SM6040602TP	2	33			
40061208	2	1	SM6040802TP	2	57			
40062308	2	45	SM6040802TP	4	57			
40062309	2	32	SM6041002TP	2	29			
40064101	2	30	SM6041202TP	4	55			
40064102	2	34	SM6042002TP	4	75			
40072914	4	87	SM6051002TP	2	8			
40072915	4	91	SM6061202TP	2	7			
40072916	4	88	SM8030312TP	2	37			
40072919	4	89	SM8040360TP	2	15			
40072920	4	85	SM8040412TP	2	46			