

MODEL : MF-7800D (For export)

List No : 1514-01

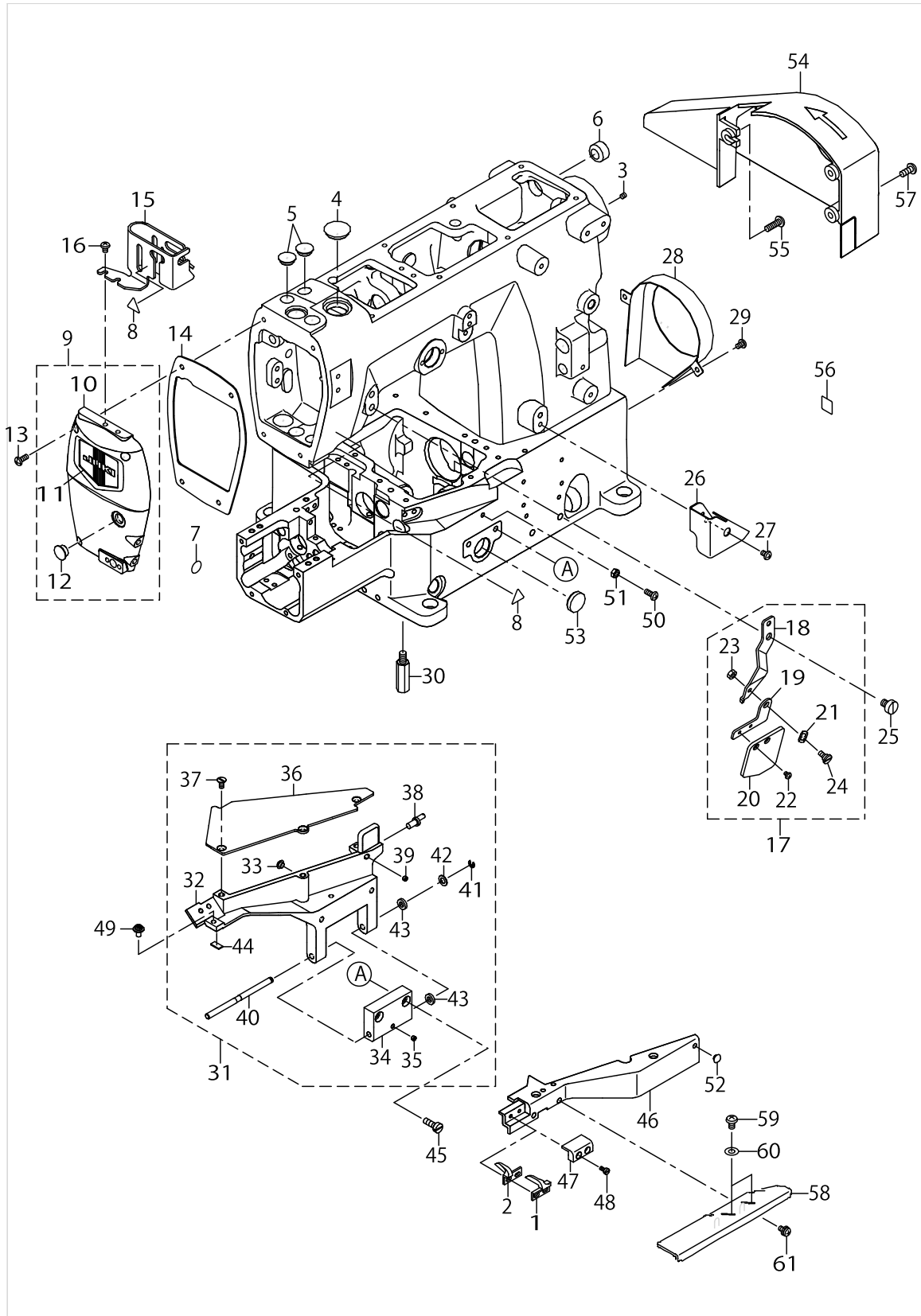
PARTS LIST

Published:09/10/2017

CONTENTS

| | |
|--|----|
| FRAME & MISCELLANEOUS COVER COMPONENTS (1) | 1 |
| FRAME & MISCELLANEOUS COVER COMPONENTS (2) | 5 |
| MAIN SHAFT COMPONENTS | 9 |
| NEEDLE BAR & PRESSER COMPONENTS..... | 13 |
| FEED DRIVE COMPONENTS (1) | 17 |
| FEED DRIVE COMPONENTS (2) | 21 |
| THREAD TAKE-UP LEVER COMPONENTS..... | 25 |
| SPREADER COMPONENTS..... | 29 |
| LOWER THREAD CAM COMPONENTS..... | 31 |
| NEEDLE GUARD COMPONENTS..... | 33 |
| LOOPER COMPONENTS | 35 |
| THREAD TENSION COMPONENTS | 39 |
| LUBRICATION COMPONENTS | 41 |
| THREAD STAND COMPONENTS..... | 45 |
| GAUGE PARTS COMPONENTS | 47 |
| NEEDLE COOLING MECHANISM COMPONENTS..... | 51 |
| ACCESSORIES PARTS COMPONENTS | 53 |
| HOW TO MAKE USE OF THIS PARTS LIST | 55 |

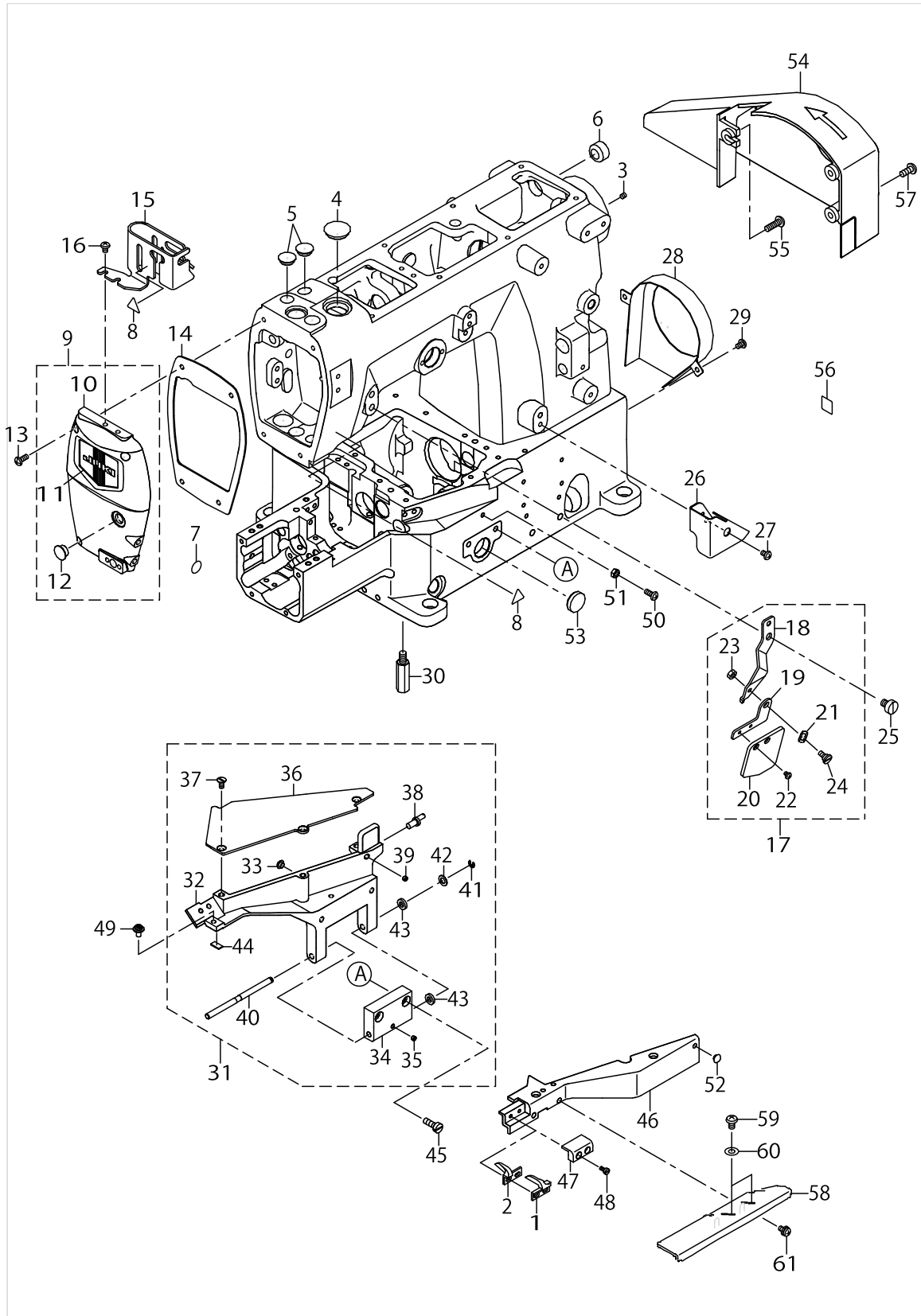
FRAME & MISCELLANEOUS COVER COMPONENTS (1)



FRAME & MISCELLANEOUS COVER COMPONENTS (1)

| No. | Parts No. | Parts name | Remarks | Level | Cons | Qty |
|-----|-------------|--------------------------|------------------|-------|------|-----|
| 1 | 13438007 | COVERING_GUARD_R | FOR MF-7800-K10 | | | 1 |
| 2 | 13438106 | COVERING_GUARD_L | FOR MF-7800-K10 | | | 1 |
| 3 | SM8040412TP | SET SCREW M4 L=4 | | | | 3 |
| 4 | TA2050406R0 | RUBBER PLUG | | | | 1 |
| 5 | TA1250406R0 | RUBBER PLUG D=12.5 L=4 | | | | 2 |
| 6 | TA1701002R0 | RUBBER PLUG | | | | 1 |
| 7 | 22901805 | GROUND MARK | | | | 1 |
| 8 | CM300200001 | ATTENTION SEAL | | | | 2 |
| 9 | 13300959 | ASSY_HEAD_COVER | | | | 1 |
| 10 | 13300900 | HEAD COVER | | * | | 1 |
| 11 | 22902506 | FACE PLATE | | * | | 1 |
| 12 | TA1050504R0 | RUBBER PLUG | | * | | 1 |
| 13 | SM4041055SP | SCREW | | | | 4 |
| 14 | 13301007 | GASKET H | | | | 1 |
| 15 | 13301304 | NEEDLE BAR GUARD | | | | 1 |
| 16 | SM4040655SP | SCREW M4 L=6 | | | | 2 |
| 17 | 40033518 | PROTECTION_SHIELD_ASSY | | | | 1 |
| 18 | 40033340 | BRACKET HOLDER | | * | | 1 |
| 19 | 40033341 | BRACKET | | * | | 1 |
| 20 | 13301700 | PROTECTION SHIELD | | * | | 1 |
| 21 | WZ0641510KP | WAVED WASHER 6.4X11X0.3 | | * | | 1 |
| 22 | SM4030455SN | SCREW | | * | | 2 |
| 23 | NM6040001SP | NUT M4X0.7 | | * | | 1 |
| 24 | SD0640246SP | HINGE SCREW D=6.35 H=2.4 | | * | | 1 |
| 25 | SM6060800SP | SCREW M6 L=8 | | | | 1 |
| 26 | 13301403 | THREAD COVER | | | | 1 |
| 27 | SM4040655SP | SCREW M4 L=6 | | | | 1 |
| 28 | 13302401 | LMS_FAN_COVER | | | | 1 |
| 29 | SM4040655SP | SCREW M4 L=6 | | | | 2 |
| 30 | 13301809 | SUPPORT STUD | | | | 4 |
| 31 | 13400957 | SWING_DOWN_COVER_ASSY | | | | 1 |
| 32 | 13400908 | SWING DOWN COVER | | * | | 1 |
| 33 | 13302302 | RUBBER BUMPER | | * | | 1 |
| 34 | 13401203 | HINGE | | * | | 1 |
| 35 | SM8040360TP | SCREW | | * | | 1 |
| 36 | 13401005 | CLOTH PLATE FRONT | | * | | 1 |
| 37 | SM1040800SP | SCREW | | * | | 3 |
| 38 | 13402706 | PIN FOR COVER | | * | | 1 |
| 39 | SM8040360TP | SCREW | | * | | 1 |
| 40 | 13403506 | PIN_FOR_S_D_COVER | | * | | 1 |
| 41 | RE0300000K0 | E-RING 3 | | * | | 1 |
| 42 | WP0550800SP | WASHER 5.5X10X0.8 | | * | | 1 |
| 43 | 13302708 | RUBBER_WASHER | | * | | 2 |
| 44 | 13403605 | RUBBER_PLATE | | * | | 1 |
| 45 | SM6051400SP | SCREW | | | | 2 |
| 46 | 13402904 | BRACKET N | | | | 1 |
| 47 | 13401104 | BRACKET | FOR MF-7800D-U10 | | | 1 |

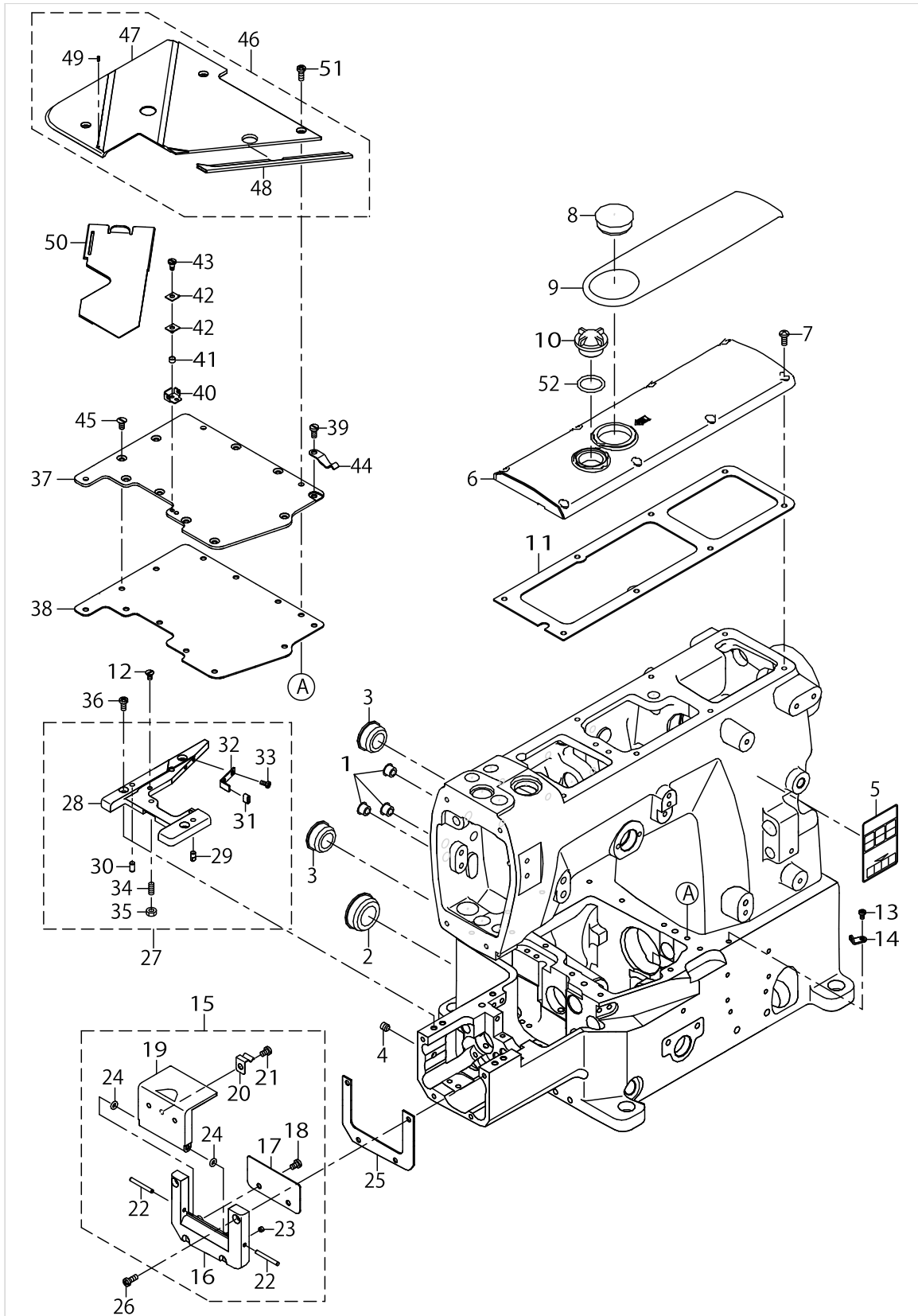
FRAME & MISCELLANEOUS COVER COMPONENTS (1)



FRAME & MISCELLANEOUS COVER COMPONENTS (1)

| No. | Parts No. | Parts name | Remarks | Level | Cons | Qty |
|-----|-------------|-------------------------|---------|-------|------|-----|
| 48 | SM6030600SP | SCREW M3X0.5 L=6 | | | | 2 |
| 49 | SL4040805SC | SCREW | | | | 2 |
| 50 | SM4041055SP | SCREW | | | | 1 |
| 51 | NM6040001SP | NUT M4X0.7 | | | | 1 |
| 52 | 13302302 | RUBBER BUMPER | | | | 1 |
| 53 | TA1900502R0 | RUBBER PLUG | | | | 1 |
| 54 | 13302658 | DRIVING_BELT_COVER_ASSY | | | | 1 |
| 55 | SM4051255SP | SCREW.,M5 L=12 | | | | 1 |
| 56 | CM600100101 | WEEE MARK LABEL S | | | | 1 |
| 57 | SM4050855SP | SCREW | | | | 2 |
| 58 | 40022406 | BINDER_BRACKET | | | | 1 |
| 59 | SM5050855SN | SCREW M5 L=8 | | | | 2 |
| 60 | WP0550836SC | WASHER 5.5X12X0.8 | | | | 2 |
| 61 | SL4040805SC | SCREW | | | | 2 |

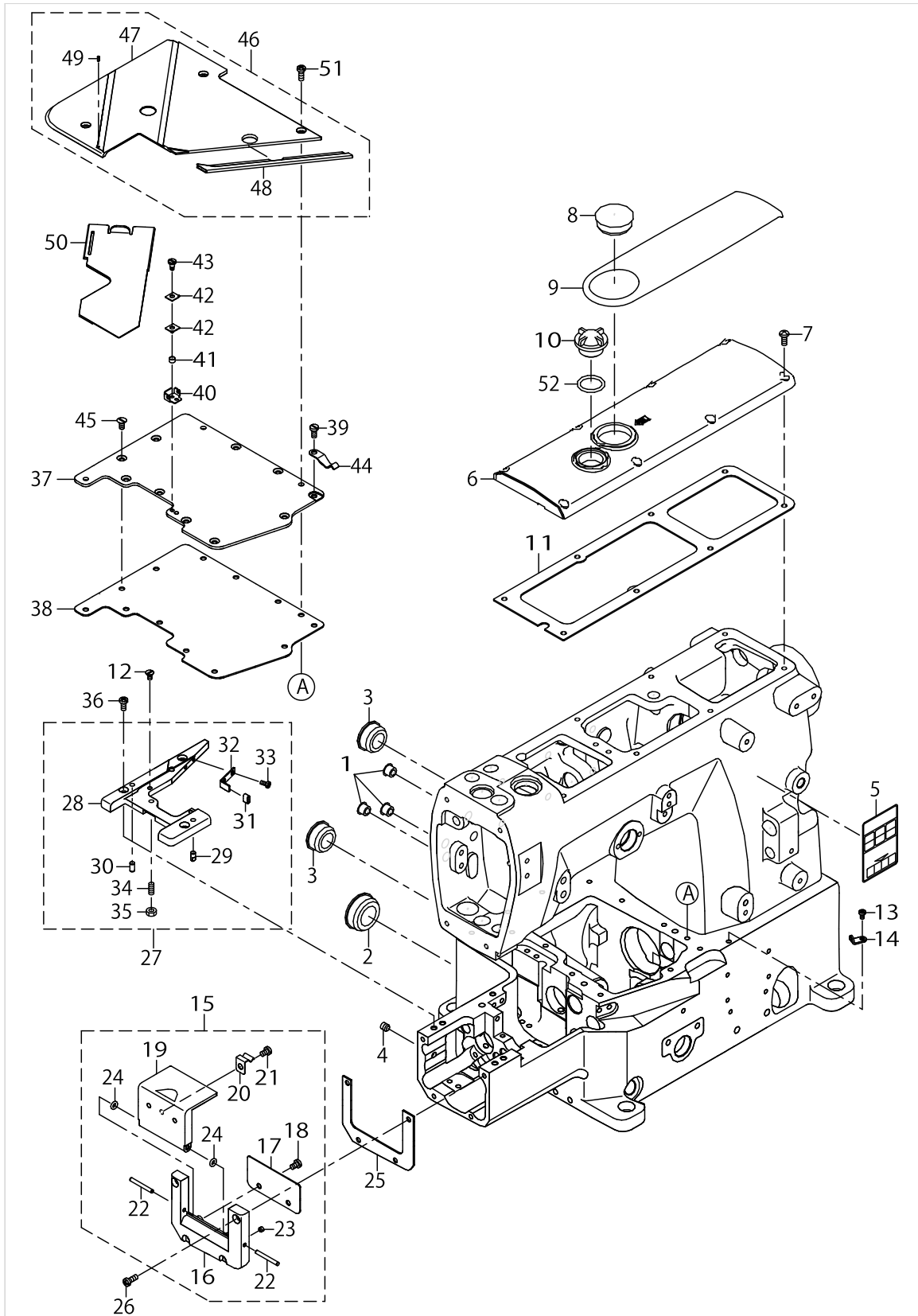
FRAME & MISCELLANEOUS COVER COMPONENTS (2)



FRAME & MISCELLANEOUS COVER COMPONENTS (2)

| No. | Parts No. | Parts name | Remarks | Level | Cons | Qty |
|-----|-------------|--------------------------|---------|-------|------|------|
| 1 | TA0850604R0 | RUBBER PLUG | | | | 3 |
| 2 | 10753309 | WINDOW PLATE RUBBER PLUG | | | | 1 |
| 3 | TA2351004R0 | RUBBER PLUG | | | | 2 |
| 4 | SM8060612TP | SCREW M6 L=6 | | | | 2 |
| 5 | CM301200001 | SAFETY LABEL_S | | | | 1 |
| 6 | 40081954 | TOP_COVER_DRY | | | | 1 |
| 7 | SM4041055SP | SCREW | | | | 8 |
| 8 | 10753309 | WINDOW PLATE RUBBER PLUG | | | | 1 |
| 9 | 40081956 | TOP_COVER_PANEL_PRINTING | | | | 1 |
| 10 | 22924708 | OIL SIGHT WINDOW | | | | 1 |
| 11 | 13300801 | GASKET T | | | | 1 |
| 12 | 13302203 | SCREW | | | | 2 |
| 13 | 13402201 | LOOPER THD GUIDE | | | | 1 |
| 14 | SM4040655SP | SCREW M4 L=6 | | | | 1 |
| 15 | 13401757 | SIDE_COVER_ASSY | | | | 1 |
| 16 | 13401500 | CYLINDER COVER | | * | | 1 |
| 17 | 13401807 | CYLINDER COVER PLATE | | * | | 1 |
| 18 | SM4040655SP | SCREW M4 L=6 | | * | | 2 |
| 19 | 13401708 | SIDE COVER | | * | | 1 |
| 20 | 13401906 | LATCH SPRING 2 | | * | | 1 |
| 21 | SM4040655SP | SCREW M4 L=6 | | * | | 1 |
| 22 | PH0300252C0 | PARALLEL PIN | | * | | 2 |
| 23 | SM8040360TP | SCREW | | * | | 2 |
| 24 | RO037180100 | RUBBER RING | | * | | 2 |
| 25 | 13401609 | GASKET | | | | 1 |
| 26 | SM4041055SP | SCREW | | | | 4 |
| 27 | 13400650 | ASSY_TP_SUPPORT | | | | 1 |
| 28 | 13400601 | THROAT PLATE SUPPORT | | * | | 1 |
| 29 | 13301908 | DOWEL PIN | | * | | 1 |
| 30 | 13302500 | DOWEL PIN 2 | | * | | 1 |
| 31 | 23630007 | TUBE | | * | | 0.01 |
| 32 | 13403407 | SLIDE_COVER_SUPPORT | | * | | 1 |
| 33 | SM4030655SP | SCREW | | * | | 2 |
| 34 | SM8041012TP | SCREW M4 L=10 | | * | | 1 |
| 35 | NM6040001SP | NUT M4X0.7 | | * | | 1 |
| 36 | SM4040855SP | SCREW | | | | 3 |
| 37 | 13400700 | BED TOP COVER | | | | 1 |
| 38 | 13400809 | GASKET B | | | | 1 |
| 39 | SM6040870SP | SCREW | | | | 1 |
| 40 | 13402300 | NIPPER PLATE | | | | 1 |
| 41 | 13402805 | SPRING | | | | 1 |
| 42 | 13402409 | NIPPER SPRING PLATE | | | | 2 |
| 43 | 13326202 | SHOULDER SCREW | | | | 1 |
| 44 | 13402003 | LATCH SPRING | | | | 1 |
| 45 | SM1040860SP | SCREW | | | | 9 |
| 46 | 13401351 | CLOTH_PLATE_ASSY | | | | 1 |
| 47 | 13401302 | CLOTH PLATE REAR | | * | | 1 |

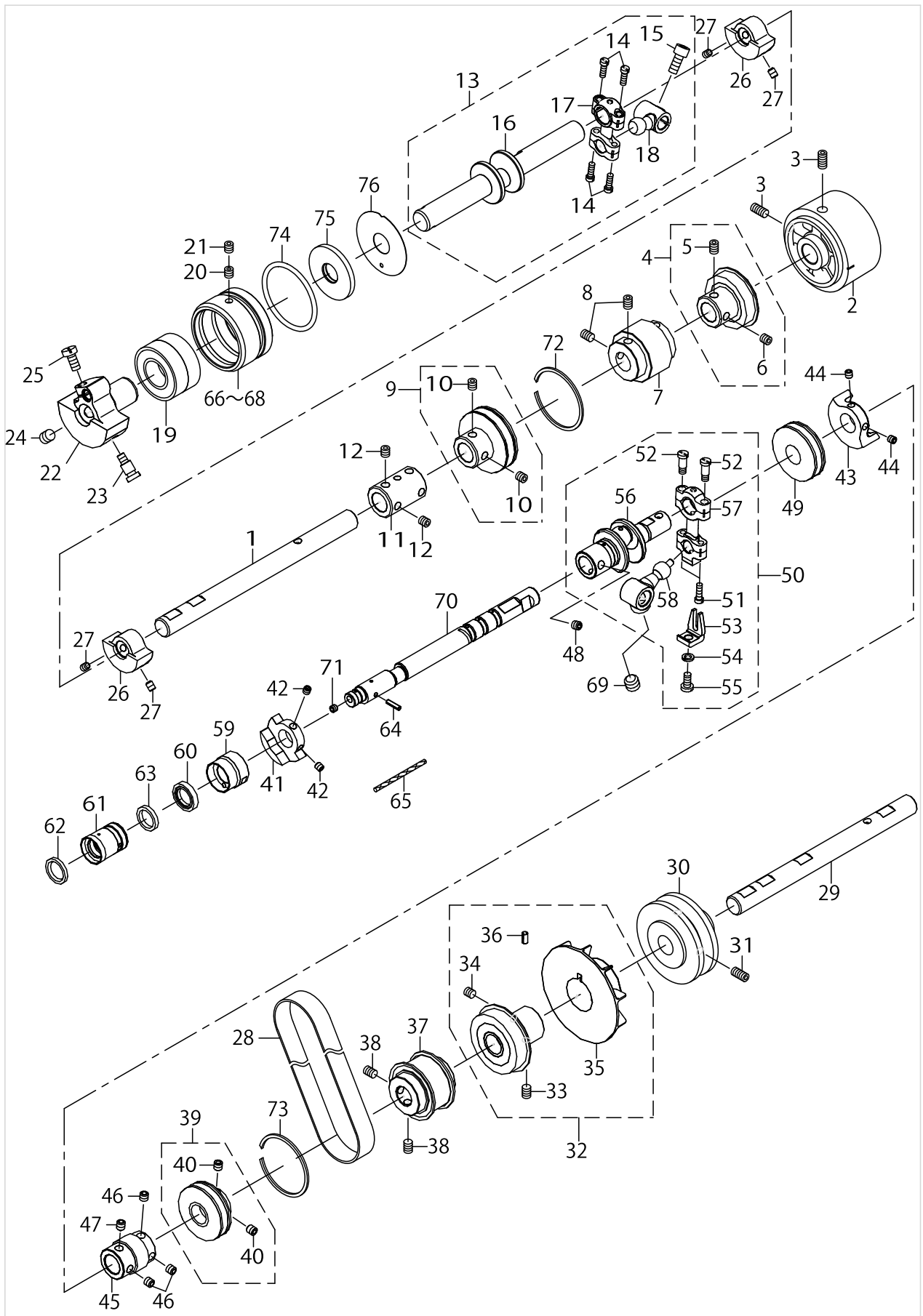
FRAME & MISCELLANEOUS COVER COMPONENTS (2)



FRAME & MISCELLANEOUS COVER COMPONENTS (2)

| No. | Parts No. | Parts name | Remarks | Level | Cons | Qty |
|-----|-------------|-------------------|---------|-------|------|-----|
| 48 | 13402102 | THD GUIDE | | * | | 1 |
| 49 | PS0150042K0 | SPRING PIN 1.5X 4 | | * | | 1 |
| 50 | 13401401 | SLIDE COVER | | | | 1 |
| 51 | SM4041055SP | SCREW | | | | 3 |
| 52 | RO195240100 | RUBBER RING | | | | 1 |

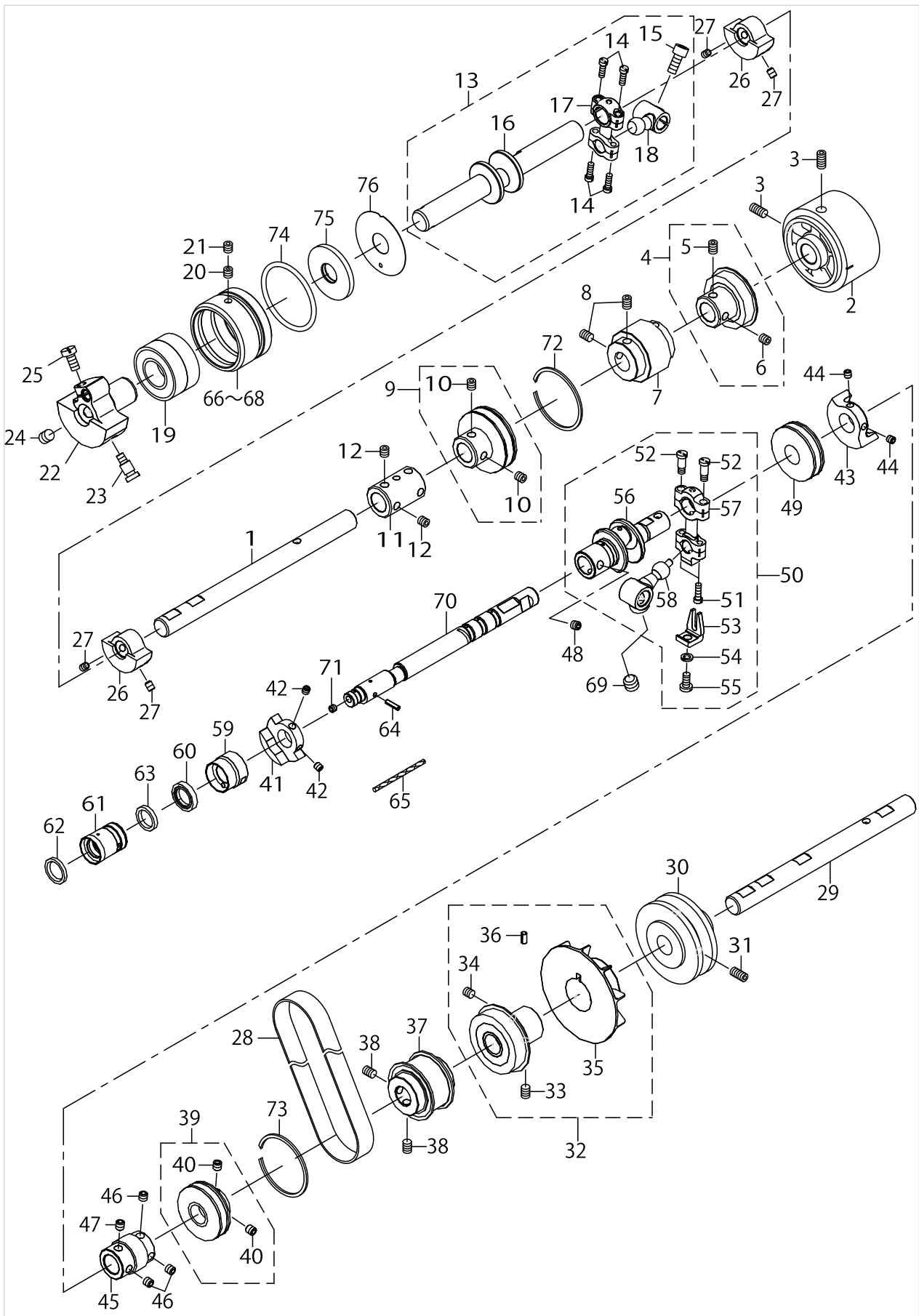
MAIN SHAFT COMPONENTS



MAIN SHAFT COMPONENTS

| No. | Parts No. | Parts name | Remarks | Level | Cons | Qty |
|-----|-------------|-------------------------|---------|-------|------|-----|
| 1 | 13307004 | UPPER MAINSHAFT RIGHT | | | | 1 |
| 2 | 13406608 | UPPER_PULLEY | | | | 1 |
| 3 | SM8061212TP | SCREW M6X12 | | | | 2 |
| 4 | 13307251 | BEARING ASSY A | | | | 1 |
| 5 | SM8060842TP | SCREW M6 L=8 | | * | | 1 |
| 6 | SM8060612TP | SCREW M6 L=6 | | * | | 1 |
| 7 | 13307301 | UMS_SPROCKET | | | | 1 |
| 8 | SM8060812TP | SCREW M6 L=8 | | | | 4 |
| 9 | 13307459 | BEARING ASSY B | | | | 1 |
| 10 | SM8060612TP | SCREW M6 L=6 | | * | | 2 |
| 11 | 13307509 | JOINT | | | | 1 |
| 12 | SM8060612TP | SCREW M6 L=6 | | | | 4 |
| 13 | 40078283 | UMS_LEFT_ROD_ASSY | | | | 1 |
| 14 | 13324108 | SCREW | | * | | 4 |
| 15 | SM6061402TP | SCREW M6 L=14 | | * | | 1 |
| 16 | 40078284 | UPPER_MAINSHAFT_LEFT | | * | | 1 |
| 17 | 13324009 | ROD | | * | | 1 |
| 18 | 13324207 | CRANK | | * | | 1 |
| 19 | SB120001900 | BEARING | | | | 1 |
| 20 | SM8060842TP | SCREW M6 L=8 | | | | 1 |
| 21 | SM8060612TP | SCREW M6 L=6 | | | | 1 |
| 22 | 40078277 | COUNTER_WEIGHT | | | | 1 |
| 23 | 13309208 | SCREW_FOR_COUNTERWEIGHT | | | | 1 |
| 24 | SM8080812TP | SCREW M8X8 | | | | 1 |
| 25 | SM6061200SP | SCREW | | | | 1 |
| 26 | 13408307 | BALANCE_WEIGHT_UMS | | | | 2 |
| 27 | SM8060812TP | SCREW M6 L=8 | | | | 4 |
| 28 | 13406905 | TIMING_BELT | | | | 1 |
| 29 | 13407101 | LOWER MAINSHAFT RIGHT | | | | 1 |
| 30 | 13406707 | LOWER_PULLEY | | | | 1 |
| 31 | SM8061212TP | SCREW M6X12 | | | | 2 |
| 32 | 13309158 | BEARING_ASSY_F | | | | 1 |
| 33 | SM8060842TP | SCREW M6 L=8 | | * | | 1 |
| 34 | SM8060612TP | SCREW M6 L=6 | | * | | 1 |
| 35 | 13309000 | LMS_FAN | | * | | 1 |
| 36 | PS0400082KP | SPRING PIN | | * | | 1 |
| 37 | 13308309 | LMS_SPROCKET | | | | 1 |
| 38 | SM8060812TP | SCREW M6 L=8 | | | | 4 |
| 39 | 13407457 | BEARING_ASSY_E | | | | 1 |
| 40 | SM8060612TP | SCREW M6 L=6 | | * | | 2 |
| 41 | 13408406 | BALANCE_WEIGHT_LMS_1 | | | | 1 |
| 42 | SM8050512TP | SCREW | | | | 2 |
| 43 | 13408505 | BALANCE_WEIGHT_LMS_2 | | | | 1 |
| 44 | SM8050512TP | SCREW | | | | 2 |
| 45 | 13407507 | JOINT GEAR | | | | 1 |
| 46 | SM8060552TP | SCREW M6 L=5 | | | | 3 |
| 47 | SM8060842TP | SCREW M6 L=8 | | | | 1 |

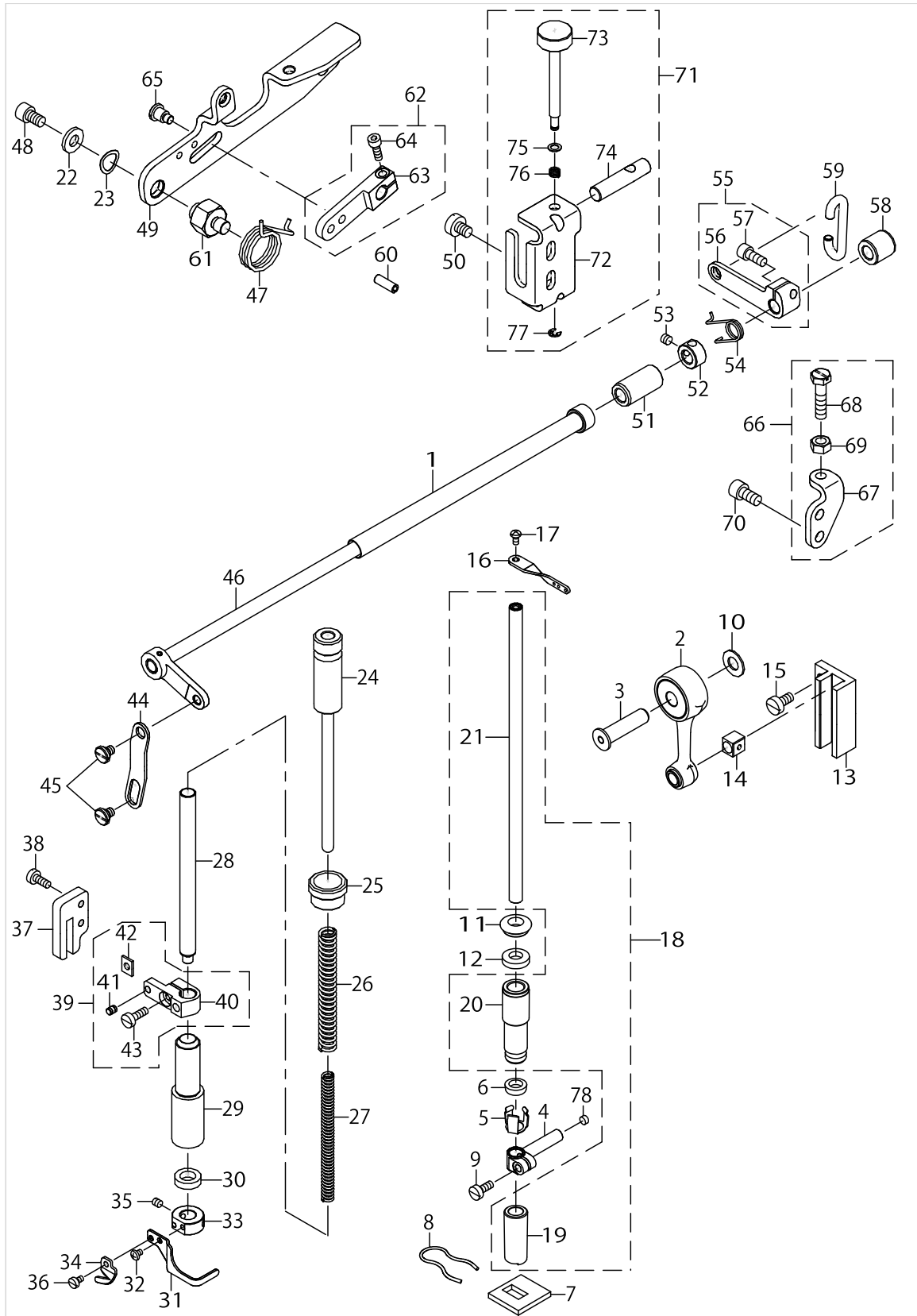
MAIN SHAFT COMPONENTS



MAIN SHAFT COMPONENTS

| No. | Parts No. | Parts name | Remarks | Level | Cons | Qty |
|-----|-------------|---------------------------|-----------------|-------|------|------|
| 48 | SM8060552TP | SCREW M6 L=5 | | | | 2 |
| 49 | SB115002300 | BEARING | | | | 1 |
| 50 | 13407259 | CRANK_JOINT_ROD_ASSY | | | | 1 |
| 51 | 13324108 | SCREW | | * | | 2 |
| 52 | SD0550906TP | SHOULDER SCREW | | * | | 2 |
| 53 | 13337100 | GUIDE LOOPER ROD | | * | | 1 |
| 54 | WS0510002KP | SPRING WASHER 5.1X9.2X1.3 | | * | | 1 |
| 55 | SM4051055SP | SCREW | | * | | 1 |
| 56 | 13407200 | CRANK JOINT | | * | | 1 |
| 57 | 13424205 | ROD | | * | | 1 |
| 58 | 13424106 | CRANK | | * | | 1 |
| 59 | 40064975 | BUSHING_LMS_MIDDLE | | | | 1 |
| 60 | 13408703 | OIL_SEAL | | | | 1 |
| 61 | 13407804 | BUSHING LMS LEFT | | | | 1 |
| 62 | 13407903 | OIL SEAL | | | | 1 |
| 63 | 13408604 | FELT_LMS_LEFT_BUSH | | | | 1 |
| 64 | PS0300122KH | SPRING PIN 3X12 | | | | 1 |
| 65 | CQ300000001 | OIL WICK | | | | 0.05 |
| 66 | 40078278 | HOUSING_A | SELECTIVE PARTS | | | 1 |
| 67 | 40078279 | HOUSING_B | SELECTIVE PARTS | | | 1 |
| 68 | 40078280 | HOUSING_C | SELECTIVE PARTS | | | 1 |
| 69 | SM8550952TP | SCREW | | | | 1 |
| 70 | 13407606 | LOWER MAINSHAFT LEFT | | | | 1 |
| 71 | SM8050412TP | SCREW M5 L=4 | | | | 1 |
| 72 | RC4881514KP | C-RING | | | | 1 |
| 73 | RC4381514KP | C-RING | | | | 1 |
| 74 | RO445300100 | RUBBER RING | | | | 1 |
| 75 | 40078282 | OIL SEAL | | | | 1 |
| 76 | 40081965 | OIL_BLOCK_PLATE | | | | 1 |

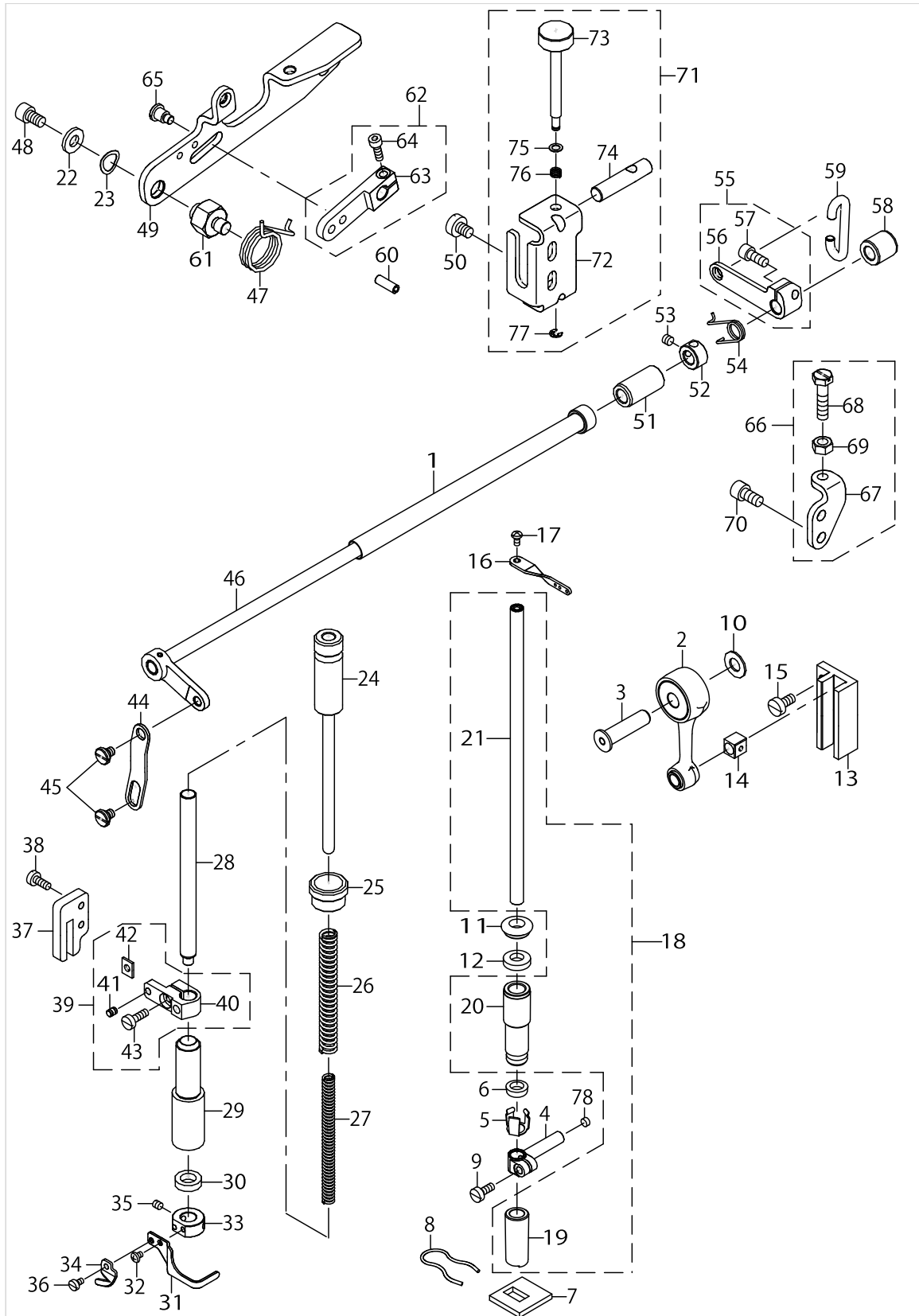
NEEDLE BAR & PRESSER COMPONENTS



NEEDLE BAR & PRESSER COMPONENTS

| No. | Parts No. | Parts name | Remarks | Level | Cons | Qty |
|-----|-------------|------------------------|---------|-------|------|-----|
| 1 | 40078320 | PIPE_ASSY | | | | 1 |
| 2 | 40078285 | ASSY_NEEDLE_CRANK_ROD | | | | 1 |
| 3 | 40078290 | NEEDLE_CRANK | | | | 1 |
| 4 | 40078292 | NEEDLE_BAR_CLAMP | | | | 1 |
| 5 | 40078306 | BUSHING_NB_U_PRESSER_B | | | | 1 |
| 6 | 40078303 | BUSHING_NB_U_FELT_B | | | | 1 |
| 7 | 40078301 | BUSHING_NB_L_FELT | | | | 1 |
| 8 | 40078304 | BUSHING_NB_L_PRESSER | | | | 1 |
| 9 | SM6041000SP | SCREW M4 L=10 | | | | 1 |
| 10 | 40078291 | WASHER | | | | 1 |
| 11 | 40078305 | BUSHING_NB_U_PRESSER_A | | | | 1 |
| 12 | 40078302 | BUSHING_NB_U_FELT_A | | | | 1 |
| 13 | 40078294 | NEEDLE_BAR_GUIDE | | | | 1 |
| 14 | 40078295 | SLIDE_BLOCK | | | | 1 |
| 15 | SM6051000SP | SCREW | | | | 3 |
| 16 | 13326806 | NEEDLE BAR EYELET | | | | 1 |
| 17 | SM4030655SP | SCREW | | | | 1 |
| 18 | 40078317 | ASSY_BUSHING_NB_DRY | | | | 1 |
| 19 | 40078299 | BUSHING_NB_LOWER | | * | | 1 |
| 20 | 40078300 | BUSHING_NB_UPPER | | * | | 1 |
| 21 | 40078296 | NEEDLE BAR ASSY | | * | | 1 |
| 22 | WP0702026SP | WASHER 7X15X2 | | | | 1 |
| 23 | WZ1052010KP | WAVED WASHER | | | | 1 |
| 24 | 40070573 | ADJ SCREW P B ASSY | | | | 1 |
| 25 | 13313101 | LOCKING NUT | | | | 1 |
| 26 | 13313309 | SPRING PRESSER BAR A | | | | 1 |
| 27 | 13313408 | SPRING PRESSER BAR B | | | | 1 |
| 28 | 40070559 | PRESSER BAR | | | | 1 |
| 29 | 13313705 | BUSHING PRESSER BAR | | | | 1 |
| 30 | 13315908 | OIL SEAL | | | | 1 |
| 31 | 40018259 | FINGER_GUARD | | | | 1 |
| 32 | SM4030455SP | SCREW | | | | 1 |
| 33 | 13313606 | COLLAR | | | | 1 |
| 34 | 13316302 | THREAD_TRIMMER | | | | 1 |
| 35 | SM8040410TP | SCREW | | | | 2 |
| 36 | SM6030500SN | SCREW M3 L=5 | | | | 1 |
| 37 | 13313804 | GUIDE PLATE | | | | 1 |
| 38 | SM6041000SP | SCREW M4 L=10 | | | | 2 |
| 39 | 13313952 | P_B_BRACKET_ASSY | | | | 1 |
| 40 | 13313903 | PRESSER BAR BRACKET | | * | | 1 |
| 41 | 13316203 | P_B_BRACKET_PIN | | * | | 1 |
| 42 | 13333208 | WASHER | | * | | 1 |
| 43 | SM6041200SP | SCREW M4 L=12 | | * | | 1 |
| 44 | 13314109 | LINK | | | | 1 |
| 45 | SD0700206TP | SHOULDER SCREW | | | | 2 |
| 46 | 40078307 | ASSY_LIFTER_SHAFT_DRY | | | | 1 |
| 47 | 13315205 | SPRING LIFTER LEVER | | | | 1 |

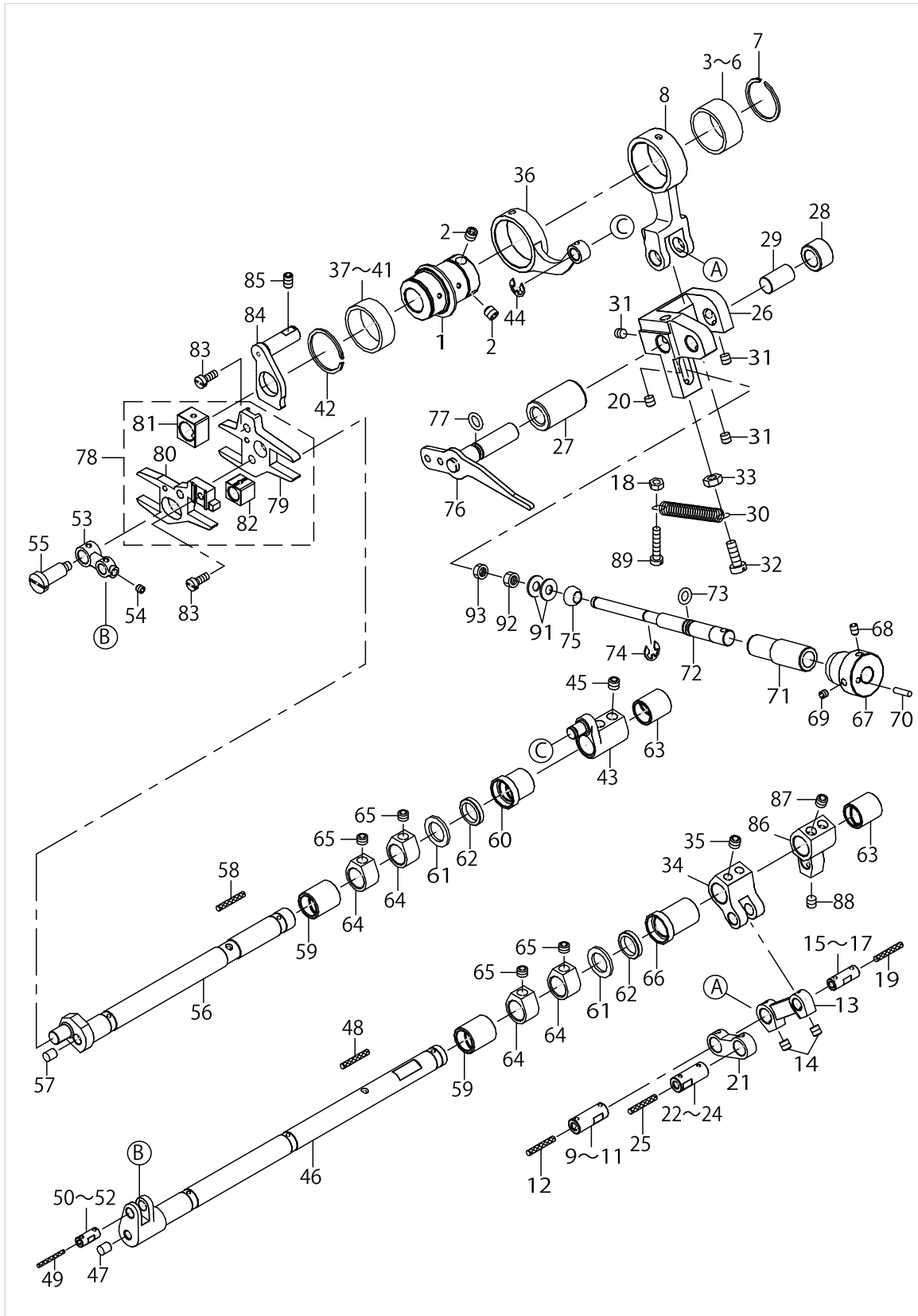
NEEDLE BAR & PRESSER COMPONENTS



NEEDLE BAR & PRESSER COMPONENTS

| No. | Parts No. | Parts name | Remarks | Level | Cons | Qty |
|-----|-------------|-------------------------|---------|-------|------|-----|
| 48 | SM6061002TP | SCREW M6 L=10 | | | | 1 |
| 49 | 13315007 | LIFTER LEVER | | | | 1 |
| 50 | SM6060800SP | SCREW M6 L=8 | | | | 1 |
| 51 | 13314406 | BUSHING LIFTER FRONT | | | | 1 |
| 52 | CS0800881TP | THRUST COLLAR | | | | 1 |
| 53 | SM8050412TP | SCREW M5 L=4 | | | | 2 |
| 54 | 13314802 | SPRING PF LIFT | | | | 1 |
| 55 | 13314752 | LIFTER_SHAFT_LEVER_ASSY | | | | 1 |
| 56 | 13314703 | LIFTER SHAFT LEVER | | * | | 1 |
| 57 | SM6051202TP | SCREW M5X0.8 L=12 | | * | | 1 |
| 58 | 13314505 | BUSHING LIFTER REAR | | | | 1 |
| 59 | 13314901 | LIFTER HOOK | | | | 1 |
| 60 | PS0500142KP | SPRING PIN | | | | 1 |
| 61 | 13315106 | LIFTER LEVER HOLDER | | | | 1 |
| 62 | 13315353 | TENS_RELEASE_LEVER_ASSY | | | | 1 |
| 63 | 13315304 | TENSION RELEASE LEVER | | * | | 1 |
| 64 | SM6041202TP | SCREW M4X0.7 L=12 | | * | | 1 |
| 65 | SD0700586TP | SHOULDER SCREW | | | | 1 |
| 66 | 13315551 | STOPPER_ASSY | | | | 1 |
| 67 | 13315502 | LIFTER LEVER STOPPER | | * | | 1 |
| 68 | SM9062550TP | SCREW | | * | | 1 |
| 69 | NM6060001CP | NUT M6 | | * | | 1 |
| 70 | SM6061202TP | SCREW M6 L=12 | | | | 2 |
| 71 | 13315650 | MINUTE_LIFTING_ASSY | | | | 1 |
| 72 | 13315601 | BRACKET | | * | | 1 |
| 73 | 13315700 | SCREW | | * | | 1 |
| 74 | 13315809 | SLIDER | | * | | 1 |
| 75 | WP0460556SD | WASHER 4.6X7.5X0.5 | | * | | 1 |
| 76 | 13123302 | ADJUSTING SPRING | | * | | 1 |
| 77 | RE0300000K0 | E-RING 3 | | * | | 1 |
| 78 | 40078293 | PLUG | | | | 1 |

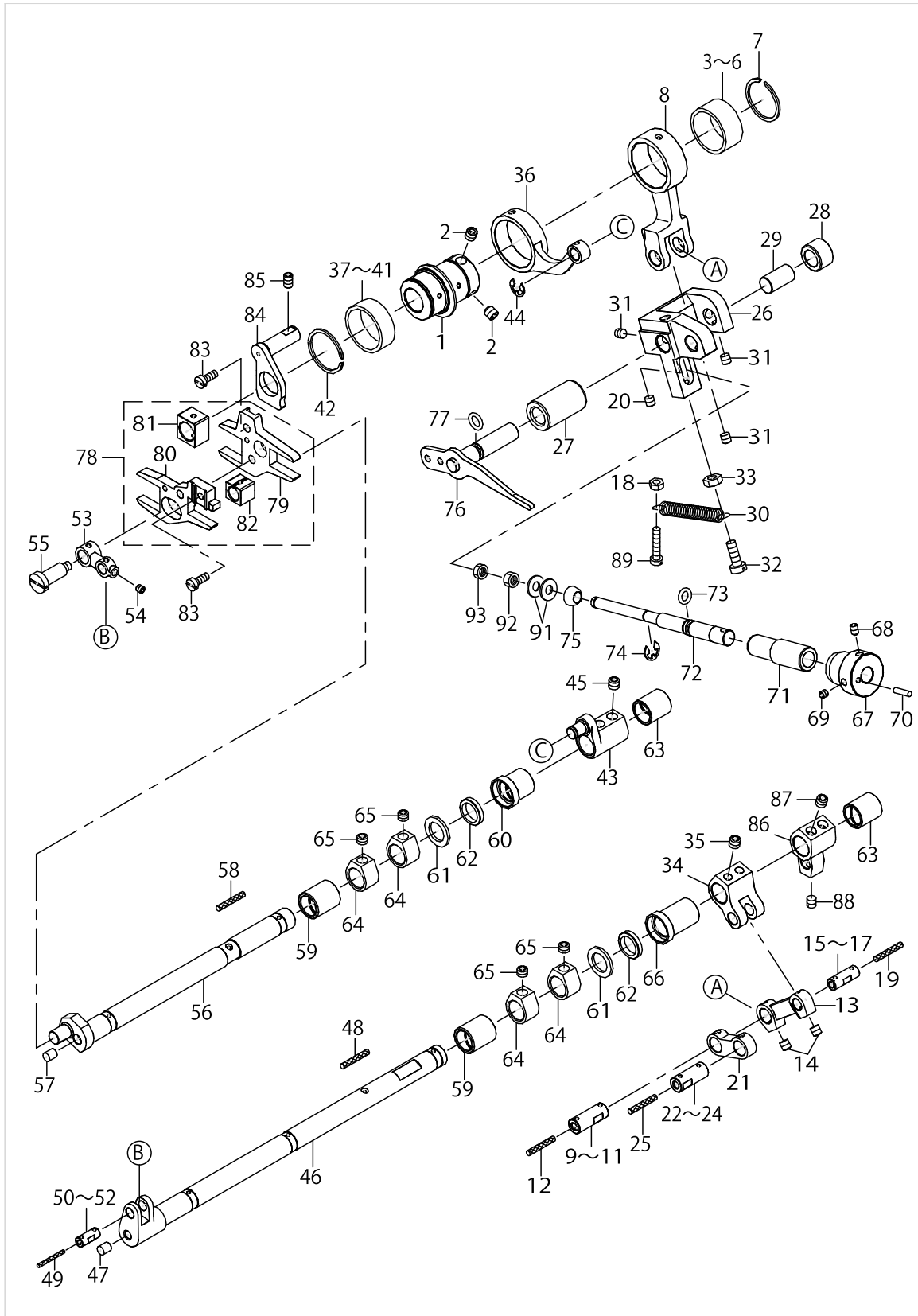
FEED DRIVE COMPONENTS (1)



FEED DRIVE COMPONENTS (1)

| No. | Parts No. | Parts name | Remarks | Level | Cons | Qty |
|-----|-------------|-----------------------|-----------------|-------|------|------|
| 1 | 13410006 | FEED ECCENTRIC | | | | 1 |
| 2 | SM8060612TP | SCREW M6 L=6 | | | | 2 |
| 3 | B1426180A00 | NEEDLE BEARING (A) | SELECTIVE PARTS | | | 1 |
| 4 | B1426180B00 | NEEDLE BEARING (B) | SELECTIVE PARTS | | | 1 |
| 5 | B1426180C00 | NEEDLE BEARING (C) | SELECTIVE PARTS | | | 1 |
| 6 | B1426180D00 | NEEDLE BEARING (D) | SELECTIVE PARTS | | | 1 |
| 7 | RC2251213KP | C-RING | | | | 1 |
| 8 | 13410105 | CRANK_ROD | | | | 1 |
| 9 | 13323308 | FEED_ADJ_LINK_PIN_A | SELECTIVE PARTS | | | 1 |
| 10 | 13323407 | FEED_ADJ_LINK_PIN_B | SELECTIVE PARTS | | | 1 |
| 11 | 13323506 | FEED_ADJ_LINK_PIN_C | SELECTIVE PARTS | | | 1 |
| 12 | CQ303000000 | OIL WICK | | | | 0.07 |
| 13 | 13410204 | MAIN ADJ LINK | | | | 1 |
| 14 | SM8050512TP | SCREW | | | | 2 |
| 15 | 13318704 | MAIN FEED CRANK PIN A | SELECTIVE PARTS | | | 1 |
| 16 | 13318803 | MAIN FEED CRANK PIN B | SELECTIVE PARTS | | | 1 |
| 17 | 13318902 | MAIN FEED CRANK PIN C | SELECTIVE PARTS | | | 1 |
| 18 | NM6040001SP | NUT M4X0.7 | | | | 1 |
| 19 | CQ303000000 | OIL WICK | | | | 0.04 |
| 20 | SM8050512TP | SCREW | | | | 1 |
| 21 | 13317300 | ADJUST LINK | | | | 1 |
| 22 | 13410600 | FEED ADJ LINK PIN A | SELECTIVE PARTS | | | 1 |
| 23 | 13410709 | FEED ADJ LINK PIN B | SELECTIVE PARTS | | | 1 |
| 24 | 13410808 | FEED ADJ LINK PIN C | SELECTIVE PARTS | | | 1 |
| 25 | CQ303000000 | OIL WICK | | | | 0.07 |
| 26 | 13415708 | FEED_ADJ_BLOCK | | | | 1 |
| 27 | 13411004 | BUSHING MAIN FEED ADJ | | | | 1 |
| 28 | 13415807 | BUSHING_MAIN_FEED_ADJ | | | | 1 |
| 29 | 13415906 | SHAFT_FEED_ADJ_BLOCK | | | | 1 |
| 30 | B2546232000 | PRESSURE SPRING | | | | 1 |
| 31 | SM8050512TP | SCREW | | | | 4 |
| 32 | SM6051400SP | SCREW | | | | 1 |
| 33 | NM6050001SP | NUT M5 | | | | 1 |
| 34 | 13411509 | MAIN_FEED_CRANK | | | | 1 |
| 35 | SM8060552TP | SCREW M6 L=5 | | | | 2 |
| 36 | 13414305 | FEED LIFT ROD | | | | 1 |
| 37 | 12116604 | NEEDLE BEARING | SELECTIVE PARTS | | | 1 |
| 38 | 12116703 | NEEDLE BEARING B | SELECTIVE PARTS | | | 1 |
| 39 | 12116802 | NEEDLE BEARING.,C. | SELECTIVE PARTS | | | 1 |
| 40 | 12116901 | NEEDLE BEARING.,D. | SELECTIVE PARTS | | | 1 |
| 41 | 12117008 | NEEDLE BEARING.,E. | SELECTIVE PARTS | | | 1 |
| 42 | B1248280000 | STOP RING | | | | 1 |
| 43 | 13414404 | FEED LIFT LEVER | | | | 1 |
| 44 | RE0500000K0 | E-RING | | | | 1 |
| 45 | SM8060552TP | SCREW M6 L=5 | | | | 2 |
| 46 | 13411608 | MAIN FEED SHAFT | | | | 1 |
| 47 | TA0500601M0 | PLUG D=5X5.4 L=6 | | | | 1 |

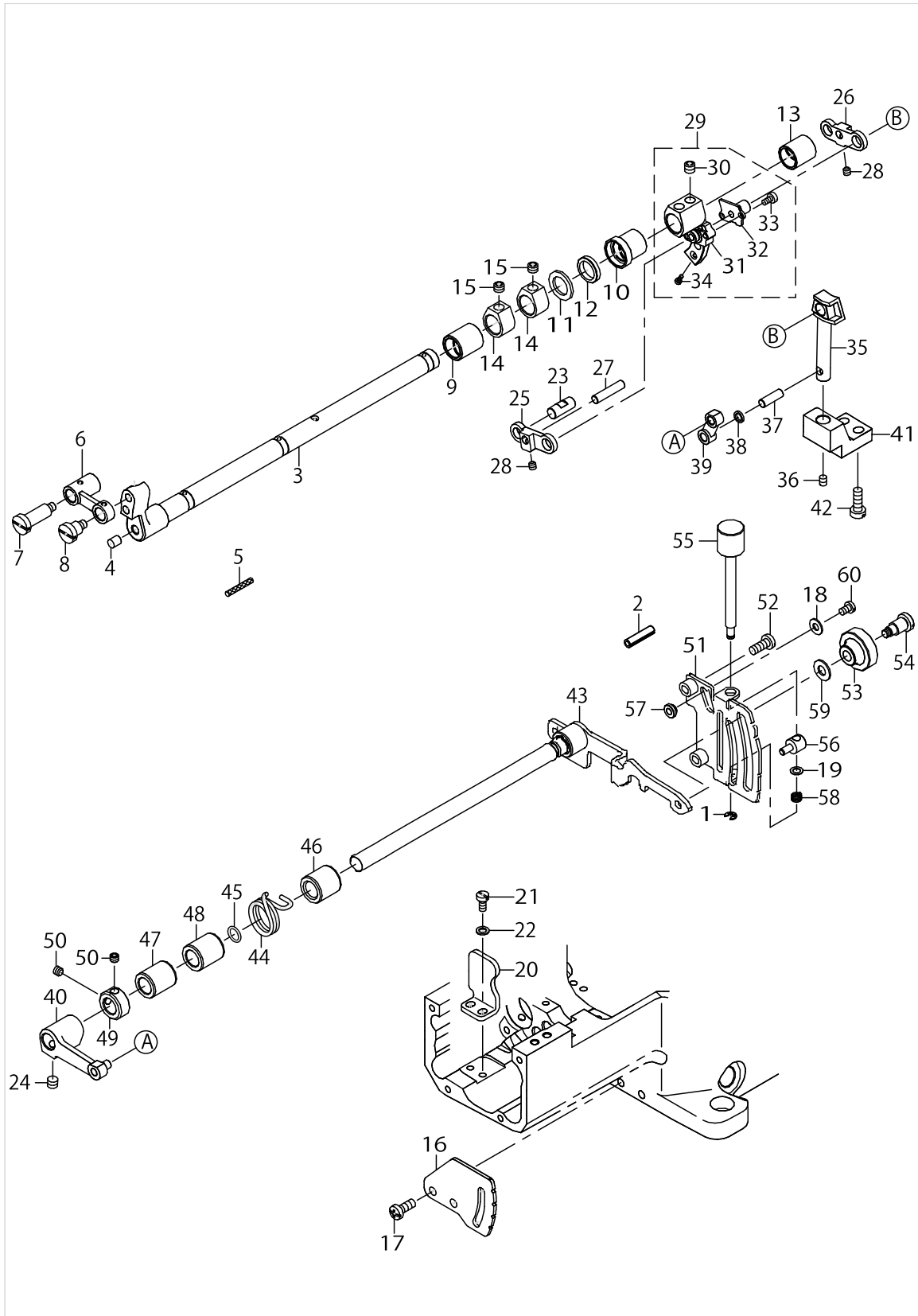
FEED DRIVE COMPONENTS (1)



FEED DRIVE COMPONENTS (1)

| No. | Parts No. | Parts name | Remarks | Level | Cons | Qty |
|-----|-------------|----------------------|-----------------|-------|------|------|
| 48 | CQ300000001 | OIL WICK | | | | 1 |
| 49 | CQ202000000 | OIL WICK | | | | 0.6 |
| 50 | 13412002 | MAIN FEED LINK PIN A | SELECTIVE PARTS | | | 1 |
| 51 | 13412101 | MAIN FEED LINK PIN B | SELECTIVE PARTS | | | 1 |
| 52 | 13412200 | MAIN FEED LINK PIN C | SELECTIVE PARTS | | | 1 |
| 53 | 13411905 | MAIN FEED LINK | | | | 1 |
| 54 | SM8040412TP | SET SCREW M4 L=4 | | | | 1 |
| 55 | SD0801636TH | SHOULDER SCREW | | | | 1 |
| 56 | 13414503 | FEED LIFT SHAFT | | | | 1 |
| 57 | TA0500601M0 | PLUG D=5X5.4 L=6 | | | | 1 |
| 58 | CQ300000001 | OIL WICK | | | | 0.67 |
| 59 | 13411707 | BUSHING FEED MECH | | | | 2 |
| 60 | 13409206 | BUSHING_FEED_MECH | | | | 1 |
| 61 | 13409107 | WASHER | | | | 2 |
| 62 | E3025721000 | OIL SEAL | | | | 2 |
| 63 | 13415500 | BUSHING_FEED_MECH | | | | 2 |
| 64 | 13411806 | COLLAR | | | | 4 |
| 65 | SM8060412TP | SCREW | | | | 4 |
| 66 | 13408802 | BUSHING_FEED_MECH | | | | 1 |
| 67 | 13318001 | KNOB FEED ADJUST | | | | 1 |
| 68 | SM8040602TP | SCREW M4X0.7 L=6 | | | | 1 |
| 69 | SM8040412TP | SET SCREW M4 L=4 | | | | 1 |
| 70 | B3215470000 | PIN | | | | 1 |
| 71 | 13411400 | BUSHING FEED ADJ | | | | 1 |
| 72 | 13411301 | SHAFT FEED ADJ | | | | 1 |
| 73 | RO055200100 | RUBBER RING | | | | 1 |
| 74 | RE0500000K0 | E-RING | | | | 1 |
| 75 | 13318308 | STOPPER FEED ADJUST | | | | 1 |
| 76 | 13411152 | INDICATOR ASSY | | | | 1 |
| 77 | RO068190100 | RUBBER RING | | | | 1 |
| 78 | 13413950 | FEED_BAR_ASSY | | | | 1 |
| 79 | 13413901 | MAIN FEED BAR | | * | | 1 |
| 80 | 13414008 | DIFF FEED BAR | | * | | 1 |
| 81 | 13413703 | SLIDE BLOCK 1 | | * | | 1 |
| 82 | 13413802 | SLIDE BLOCK 2 | | * | | 1 |
| 83 | SM6041000SP | SCREW M4 L=10 | | | | 2 |
| 84 | 13414107 | FEED BAR GUIDE 1 | | | | 1 |
| 85 | SM8050812TP | SCREW M5X8 | | | | 1 |
| 86 | 13413307 | DIFF_FEED_CRANK | | | | 1 |
| 87 | SM8060552TP | SCREW M6 L=5 | | | | 2 |
| 88 | SM8050512TP | SCREW | | | | 1 |
| 89 | SM6042000SP | SCREW | | | | 1 |
| 90 | NM6040001SP | NUT M4X0.7 | | | | 1 |
| 91 | 13120605 | WASHER | | | | 2 |
| 92 | NM6050001SC | NUT M5 | | | | 1 |
| 93 | NM6050003SC | NUT M5X0.8 | | | | 1 |

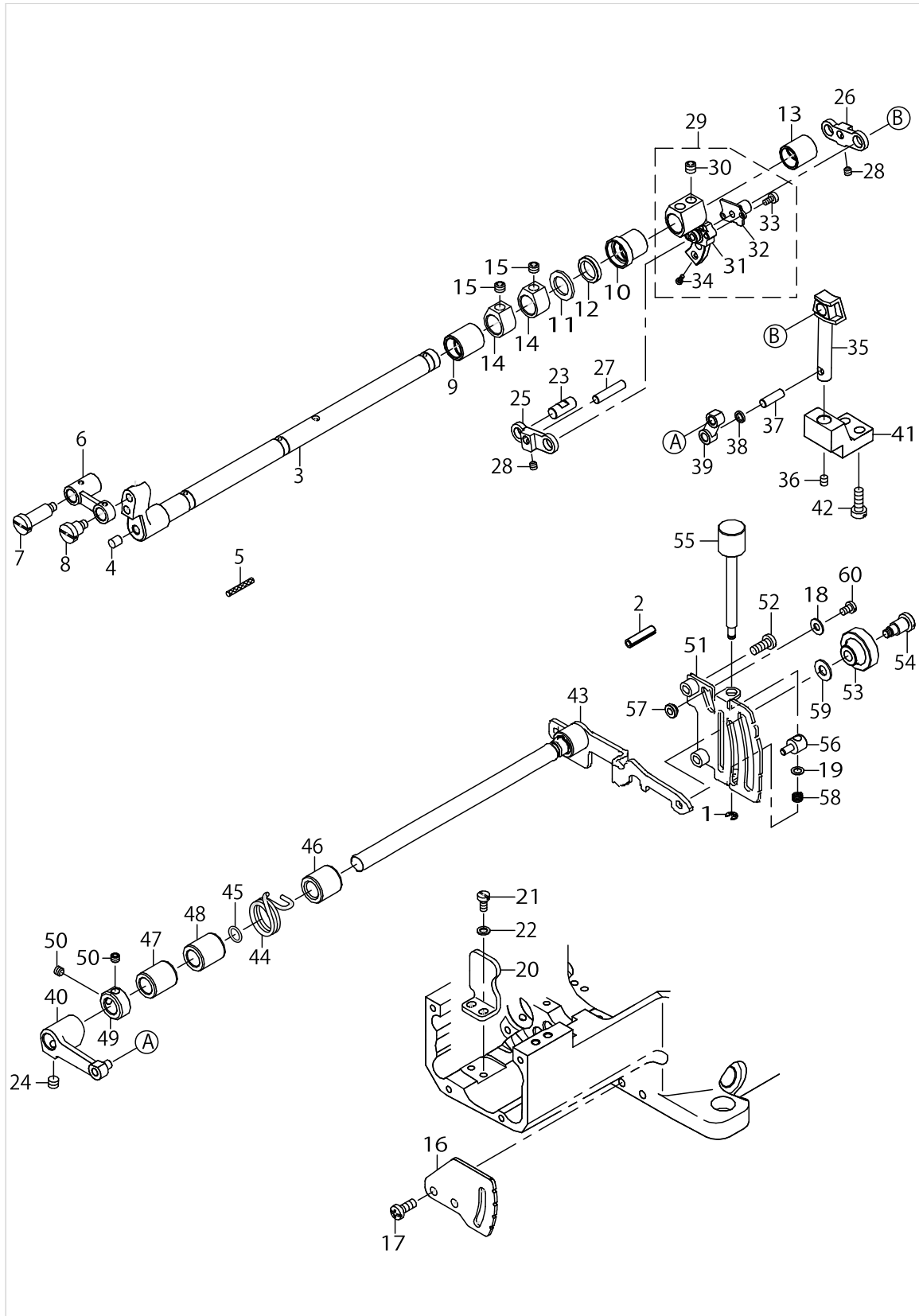
FEED DRIVE COMPONENTS (2)



FEED DRIVE COMPONENTS (2)

| No. | Parts No. | Parts name | Remarks | Level | Cons | Qty |
|-----|-------------|---------------------|---------|-------|------|-----|
| 1 | RE030000K0 | E-RING 3 | | | | 1 |
| 2 | PS0500202KP | SPRING PIN 5X20 | | | | 1 |
| 3 | 13413406 | DIFF FEED SHAFT | | | | 1 |
| 4 | TA0500601M0 | PLUG D=5X5.4 L=6 | | | | 1 |
| 5 | CQ300000001 | OIL WICK | | | | 1 |
| 6 | 13413604 | DIFF FEED LINK | | | | 1 |
| 7 | SD0801866TH | SHOULDER SCREW | | | | 1 |
| 8 | SD0800626TH | SHOULDER SCREW | | | | 1 |
| 9 | 13411707 | BUSHING FEED MECH | | | | 1 |
| 10 | 13409206 | BUSHING_FEED_MECH | | | | 1 |
| 11 | 13409107 | WASHER | | | | 1 |
| 12 | E3025721000 | OIL SEAL | | | | 1 |
| 13 | 13415500 | BUSHING_FEED_MECH | | | | 1 |
| 14 | 13411806 | COLLAR | | | | 2 |
| 15 | SM8060412TP | SCREW | | | | 2 |
| 16 | 13411202 | PLATE MAIN FEED ADJ | | | | 1 |
| 17 | SM4051255SP | SCREW.,M5 L=12. | | | | 2 |
| 18 | WP0450826SC | WASHER 4.5X10X0.8 | | | | 1 |
| 19 | WP0460556SD | WASHER 4.6X7.5X0.5 | | | | 1 |
| 20 | 13414206 | FEED BAR GUIDE 2 | | | | 1 |
| 21 | SM6040800SP | SCREW | | | | 2 |
| 22 | WP0450846SP | WASHER | | | | 2 |
| 23 | 13409909 | DIFF_FEED_CRANK_PIN | | | | 1 |
| 24 | SM8060552TP | SCREW M6 L=5 | | | | 2 |
| 25 | 13409602 | DIFF_DRIVE_LINK_L | | | | 1 |
| 26 | 13409701 | DIFF_DRIVE_LINK_R | | | | 1 |
| 27 | 13409800 | DIFF_LINK_PIN | | | | 1 |
| 28 | SM8040412TP | SET SCREW M4 L=4 | | | | 2 |
| 29 | 13416052 | DIFF_FEED_ARM_ASSY | | | | 1 |
| 30 | SM8060552TP | SCREW M6 L=5 | | * | | 2 |
| 31 | 13416102 | DIFF_FEED_PIN_1 | | * | | 1 |
| 32 | 13416201 | DIFF_FEED_PIN_2 | | * | | 1 |
| 33 | SM6030650TP | SCREW | | * | | 2 |
| 34 | SM4850455SP | SCREW | | * | | 1 |
| 35 | 13416458 | SLIDER_GUIDE_ASSY | | | | 1 |
| 36 | SM8040512TP | SCREW | | | | 1 |
| 37 | 13416508 | PIN_DIFF_ADJ | | | | 1 |
| 38 | 13412705 | SPACER | | | | 1 |
| 39 | 13413208 | DIFF_ADJ_LINK | | | | 1 |
| 40 | 13416854 | DIFF_ADJ_LEVER_ASSY | | | | 1 |
| 41 | 13416706 | SLIDER_GUIDE_BLOCK | | | | 1 |
| 42 | SM6051400SP | SCREW | | | | 2 |
| 43 | 40040154 | DIFF_ADJ_LEVER_ASSY | | | | 1 |
| 44 | 40040208 | TORSION_SPRING | | | | 1 |
| 45 | RO068190100 | RUBBER RING | | | | 1 |
| 46 | 13415104 | BUSHING FEED ADJ | | | | 1 |
| 47 | 13414701 | BUSHING FEED ADJ | | | | 1 |

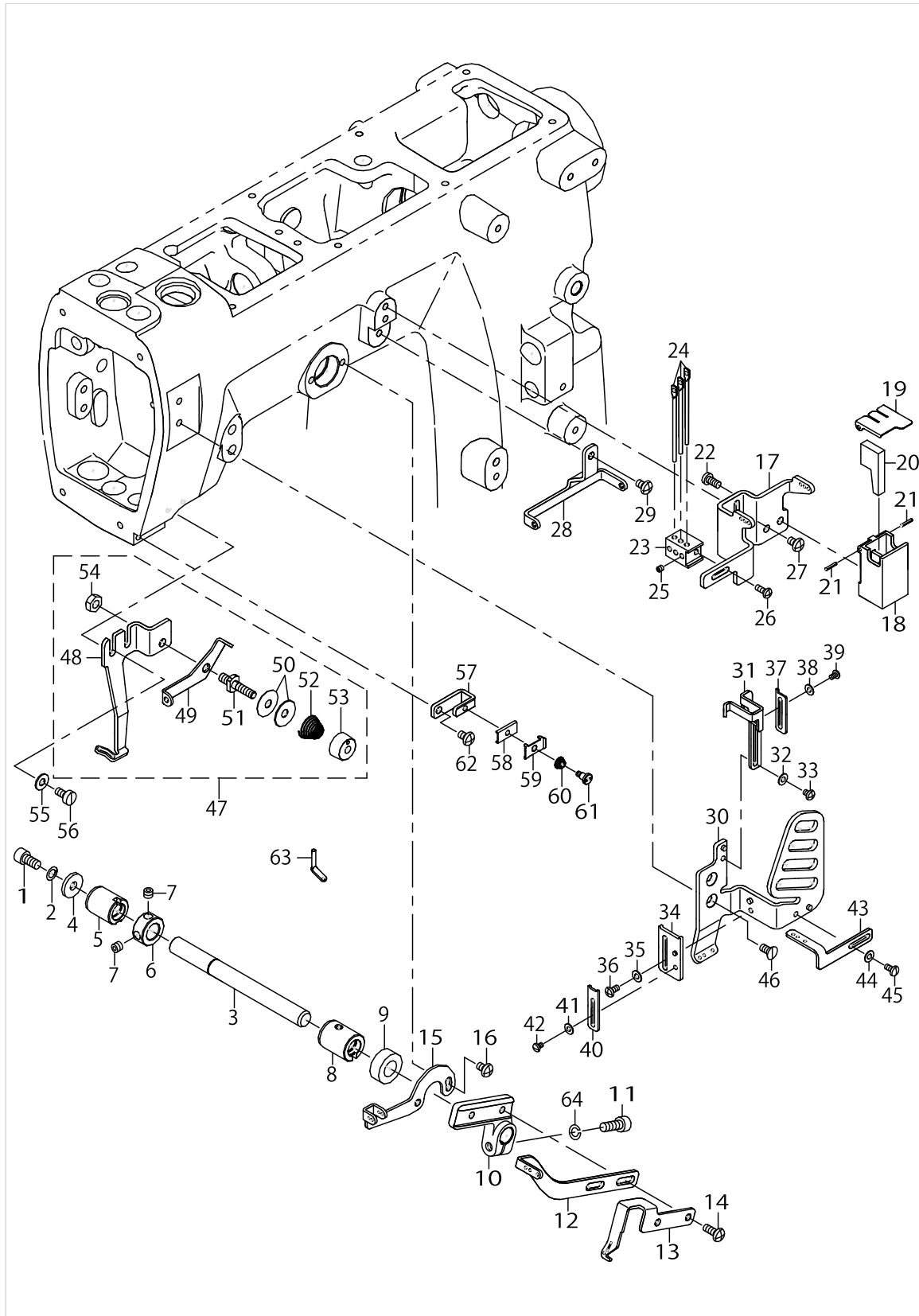
FEED DRIVE COMPONENTS (2)



FEED DRIVE COMPONENTS (2)

| No. | Parts No. | Parts name | Remarks | Level | Cons | Qty |
|-----|-------------|-------------------------------|---------|-------|------|-----|
| 48 | 13409305 | BUSHING_FEED_ADJ | | | | 1 |
| 49 | CS1000881TP | THRUST COLLAR | | | | 1 |
| 50 | SM8050412TP | SCREW M5 L=4 | | | | 2 |
| 51 | 40040155 | PLATE_DIFF_ADJ_LEVER | | | | 1 |
| 52 | SM4051255SP | SCREW.,M5 L=12. | | | | 2 |
| 53 | 13217500 | DIFFERENTIAL FEED LOCK NUT | | | | 1 |
| 54 | 13217401 | DIFFERENTIAL FEED HINGE SCREW | | | | 1 |
| 55 | 13417100 | SCREW | | | | 1 |
| 56 | 13217708 | DIFFERENTIAL FEED BLOCK | | | | 1 |
| 57 | 13321203 | STOPPER DIFF ADJ | | | | 1 |
| 58 | 13123302 | ADJUSTING SPRING | | | | 1 |
| 59 | WP0621016SD | WASHER 6.2X13X1 | | | | 1 |
| 60 | SM4040655SN | SCREW M4X0.7 L=6 | | | | 1 |

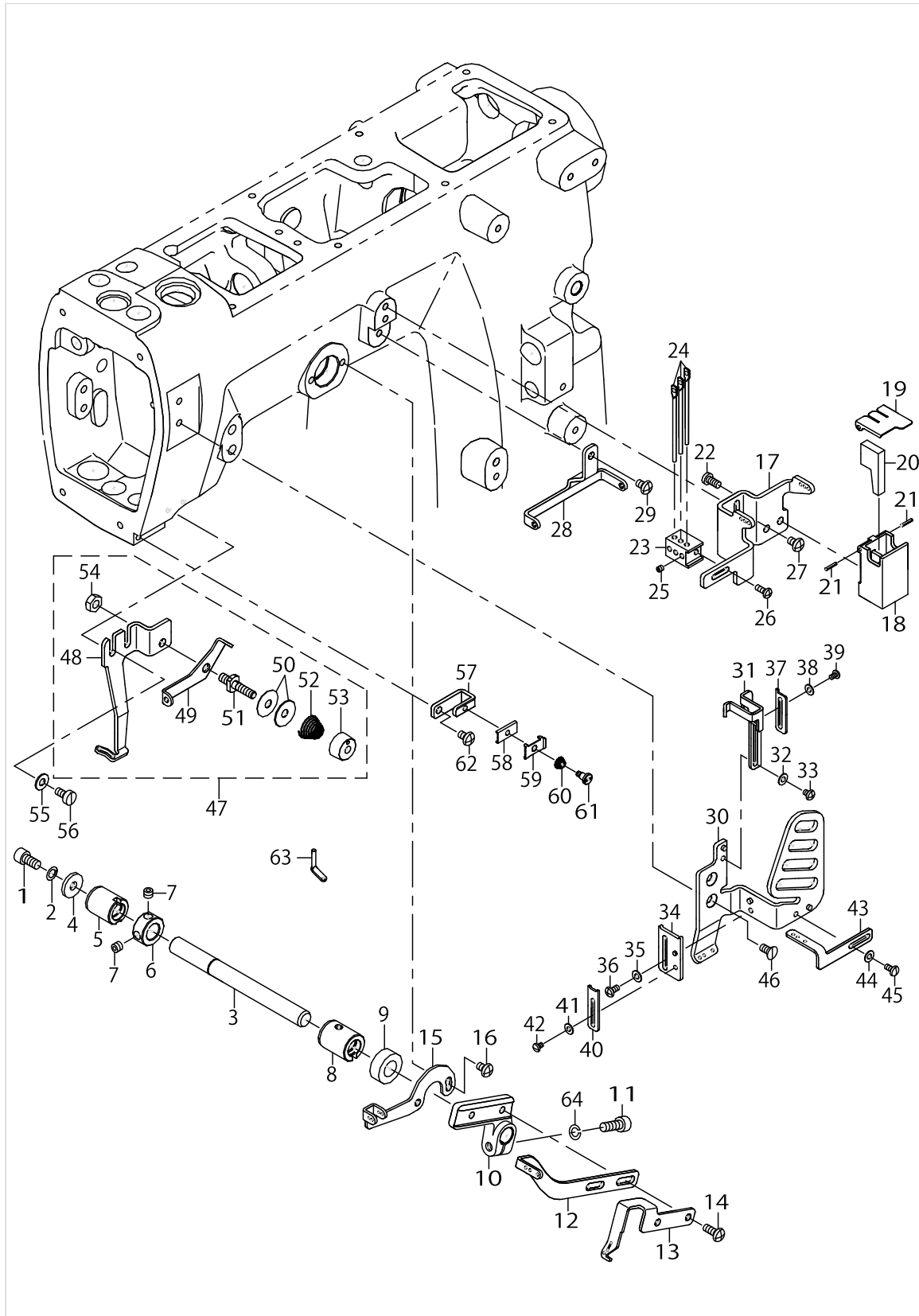
THREAD TAKE-UP LEVER COMPONENTS



THREAD TAKE-UP LEVER COMPONENTS

| No. | Parts No. | Parts name | Remarks | Level | Cons | Qty |
|-----|-------------|--------------------------------|---------|-------|------|-----|
| 1 | SM6051002TP | SCREW M5X0.8 L=10 | | | | 1 |
| 2 | WS0510002KP | SPRING WASHER 5.1X9.2X1.3 | | | | 1 |
| 3 | 13324306 | SHAFT | | | | 1 |
| 4 | WP0522016SH | WASHER | | | | 1 |
| 5 | 13324504 | BUSHING REAR | | | | 1 |
| 6 | CS1000881TP | THRUST COLLAR | | | | 1 |
| 7 | SM8050412TP | SCREW M5 L=4 | | | | 2 |
| 8 | 13324603 | BUSHING FRONT | | | | 1 |
| 9 | 23612609 | FEED CHANGING SHAFT OIL SEAL | | | | 1 |
| 10 | 13324702 | HOLDER TAKE UP EYELET | | | | 1 |
| 11 | SM6051402TP | SCREW M5X0.8 L=14 | | | | 1 |
| 12 | 13324801 | NDL THREAD TAKE UP | | | | 1 |
| 13 | 13324900 | UP LPR THREAD TAKE UP | | | | 1 |
| 14 | SM4041055SP | SCREW | | | | 2 |
| 15 | 13325006 | THREAD GUIDE | | | | 1 |
| 16 | SM4040655SP | SCREW M4 L=6 | | | | 2 |
| 17 | 13325105 | THREAD TENSION GUIDE | | | | 1 |
| 18 | 13348008 | TANK | | | | 1 |
| 19 | B9213850000 | SILICONE OIL TANK COVER, UPPER | | | | 1 |
| 20 | B9214850000 | HEAT REMOVING FELT | | | | 1 |
| 21 | PS0150082KH | SPRING PIN | | | | 2 |
| 22 | ST4040851SN | TAPPING SCREW M4X8 | | | | 2 |
| 23 | 13325204 | HOLDER | | | | 1 |
| 24 | 30391601 | NEEDLE THREAD EYELET | | | | 3 |
| 25 | SM8030312TP | SCREW M3 L=3 | | | | 3 |
| 26 | SM4030855SN | SCREW M3 L=8.0 | | | | 1 |
| 27 | SM4040655SP | SCREW M4 L=6 | | | | 2 |
| 28 | 13325402 | THREAD GUIDE | | | | 1 |
| 29 | SM4040655SP | SCREW M4 L=6 | | | | 1 |
| 30 | 13325501 | COVER | | | | 1 |
| 31 | 13325709 | NDL THD STRIKE OFF | | | | 1 |
| 32 | WP0320501SC | WASHER M3 | | | | 1 |
| 33 | SM4030455SP | SCREW | | | | 1 |
| 34 | 13325600 | THD STRIKE OFF PLATE | | | | 1 |
| 35 | WP0320501SC | WASHER M3 | | | | 1 |
| 36 | SM4030655SP | SCREW | | | | 1 |
| 37 | 13326905 | NDL THD STRIKE OFF R | | | | 1 |
| 38 | WP0280501SC | WASHER M2.6 | | | | 1 |
| 39 | SM4850455SP | SCREW | | | | 1 |
| 40 | 13327002 | THD STRIKE OFF PLATE R | | | | 1 |
| 41 | WP0280501SC | WASHER M2.6 | | | | 1 |
| 42 | SM4850455SP | SCREW | | | | 1 |
| 43 | 13327101 | THREAD_GUIDE | | | | 1 |
| 44 | WP0320501SC | WASHER M3 | | | | 1 |
| 45 | SM4030655SP | SCREW | | | | 1 |
| 46 | SM1040800SP | SCREW | | | | 2 |
| 47 | 13326350 | UP_LPR_TENSION_ASSY | | | | 1 |

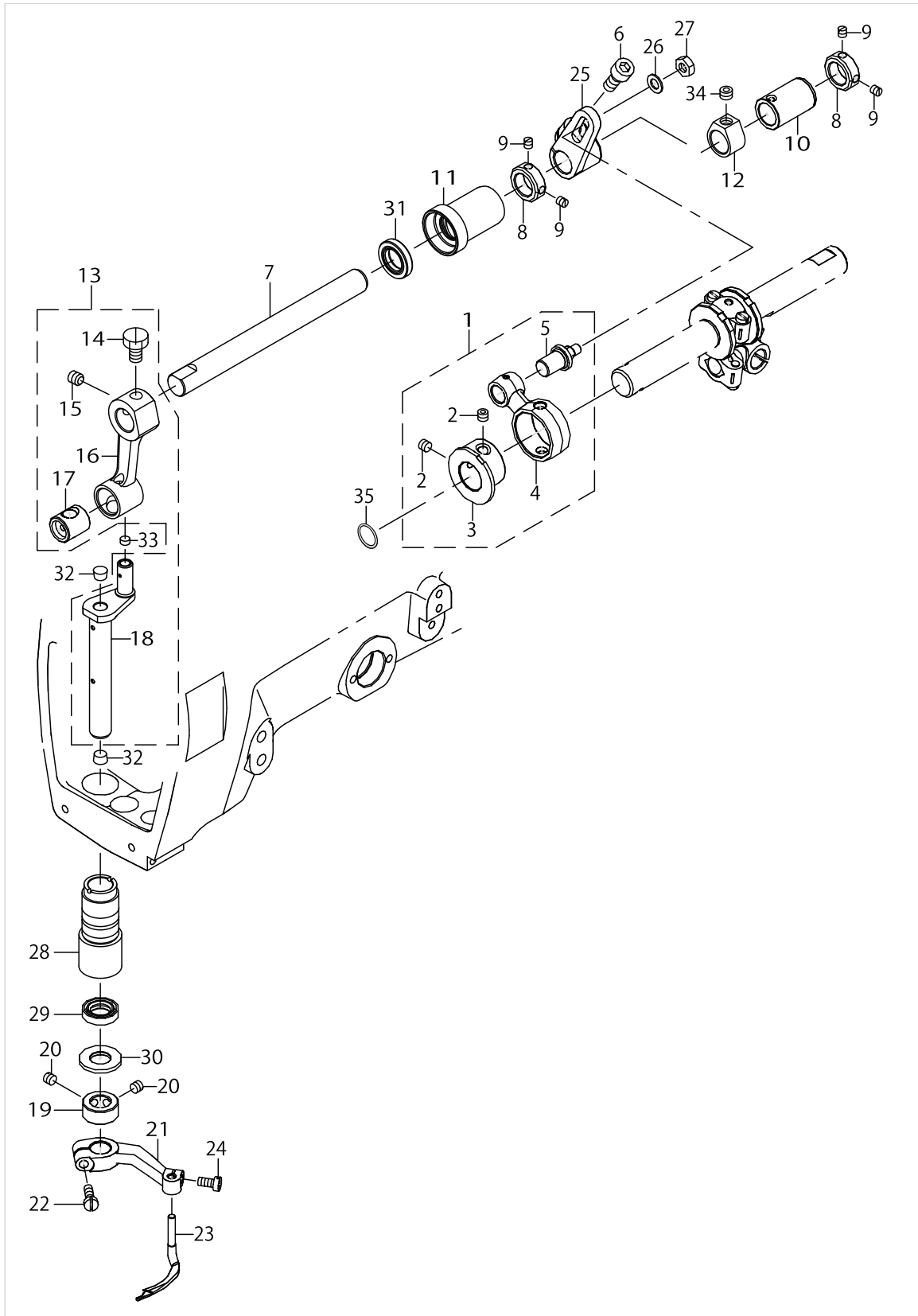
THREAD TAKE-UP LEVER COMPONENTS



THREAD TAKE-UP LEVER COMPONENTS

| No. | Parts No. | Parts name | Remarks | Level | Cons | Qty |
|-----|-------------|------------------------|---------|-------|------|-----|
| 48 | 13326301 | THREAD GUIDE UPPER LPR | | * | | 1 |
| 49 | 13326400 | THREAD GUIDE | | * | | 1 |
| 50 | 22945802 | THREAD TENSION DISK | | * | | 2 |
| 51 | 13326509 | TENSION POST | | * | | 1 |
| 52 | 22945505 | THREAD TENSION SPRING | | * | | 1 |
| 53 | 13326608 | TENSION NUT | | * | | 1 |
| 54 | NM6050001SP | NUT M5 | | * | | 1 |
| 55 | WP0450826SC | WASHER 4.5X10X0.8 | | | | 2 |
| 56 | SM6040800SP | SCREW | | | | 2 |
| 57 | 13325808 | NIPPER PLATE SUPPORT | | | | 1 |
| 58 | 13325907 | NIPPER PLATE | | | | 1 |
| 59 | 13326004 | NIPPER GUIDE PLATE | | | | 1 |
| 60 | 13326103 | SPRING | | | | 1 |
| 61 | 13326202 | SHOULDER SCREW | | | | 1 |
| 62 | SM4040655SP | SCREW M4 L=6 | | | | 1 |
| 63 | 13326707 | THREAD GUIDE | | | | 1 |
| 64 | WS0510002KN | SPRING WASHER | | | | 1 |

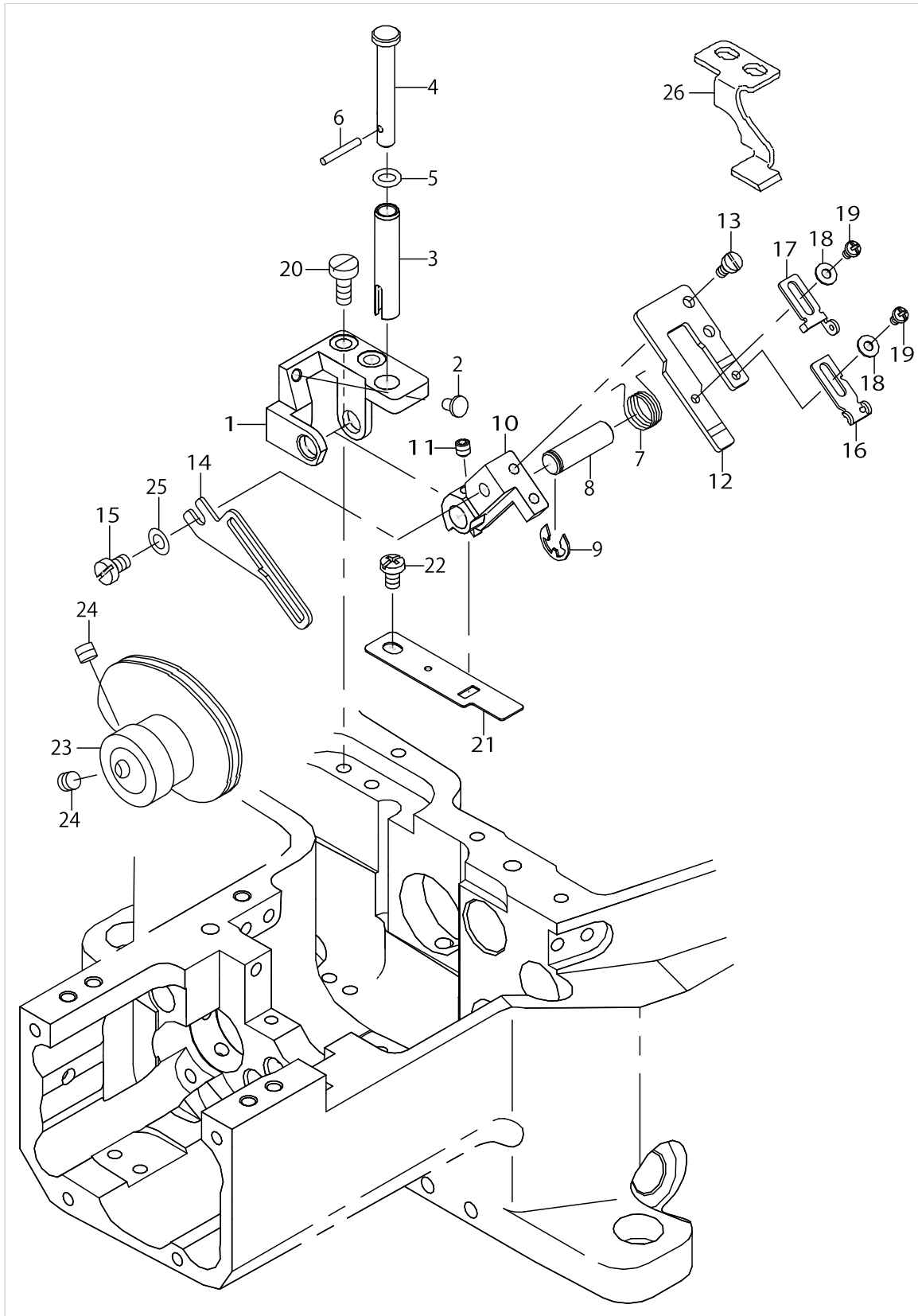
SPREADER COMPONENTS



SPREADER COMPONENTS

| No. | Parts No. | Parts name | Remarks | Level | Cons | Qty |
|-----|-------------|------------------------|---------|-------|------|-----|
| 1 | 40078318 | ASSY_UPPPER_LPR_MECH | | | | 1 |
| 2 | SM8050412TP | SCREW M5 L=4 | | * | | 2 |
| 3 | 40083520 | UPPER LOOPER ECCENTRIC | | * | | 1 |
| 4 | 40078319 | CONNROD_FOR_UPPER_LPR | | * | | 1 |
| 5 | 13328208 | STUD | | * | | 1 |
| 6 | SM6061402TP | SCREW M6 L=14 | | | | 1 |
| 7 | 40078310 | UPPER_LOOPER_SHAFT | | | | 1 |
| 8 | 13399209 | COLLAR | | | | 2 |
| 9 | SM8040412TP | SET SCREW M4 L=4 | | | | 4 |
| 10 | 40081402 | BUSHING_REAR | | | | 1 |
| 11 | 40078309 | BUSHING_FRONT | | | | 1 |
| 12 | 13411806 | COLLAR | | | | 1 |
| 13 | 40078311 | ASSY_UPPER_LPR_MECH_2 | | | | 1 |
| 14 | SM9061050TP | SCREW M6 L=10 | | * | | 1 |
| 15 | SM8060612TP | SCREW M6 L=6 | | * | | 1 |
| 16 | 40078312 | CRANK_ROD | | * | | 1 |
| 17 | 40078313 | UPPER_LOOPER_ROCKER | | * | | 1 |
| 18 | 40078314 | U.L_SHAFT_VERTICAL | | * | | 1 |
| 19 | CS1000881TP | THRUST COLLAR | | | | 1 |
| 20 | SM8050412TP | SCREW M5 L=4 | | | | 2 |
| 21 | 13328802 | UPPER LOOPER HOLDER | | | | 1 |
| 22 | SM6041200SP | SCREW M4 L=12 | | | | 1 |
| 23 | 13329404 | UPPER_LOOPER | | | | 1 |
| 24 | SM6040800SP | SCREW | | | | 1 |
| 25 | 40078316 | DRIVING_ARM | | | | 1 |
| 26 | WP0550800SP | WASHER 5.5X10X0.8 | | | | 1 |
| 27 | NM6050001SP | NUT M5 | | | | 1 |
| 28 | 13329206 | BUSHING VERTICAL | | | | 1 |
| 29 | 13338900 | OIL SEAL | | | | 1 |
| 30 | WP1022016SH | WASHER | | | | 1 |
| 31 | 40004573 | OIL SEAL | | | | 1 |
| 32 | TA0600401R0 | PLUG | | | | 2 |
| 33 | 40078293 | PLUG | | | | 1 |
| 34 | SM8060412TP | SCREW | | | | 1 |
| 35 | 13170402 | RUBBER RING | | | | 1 |

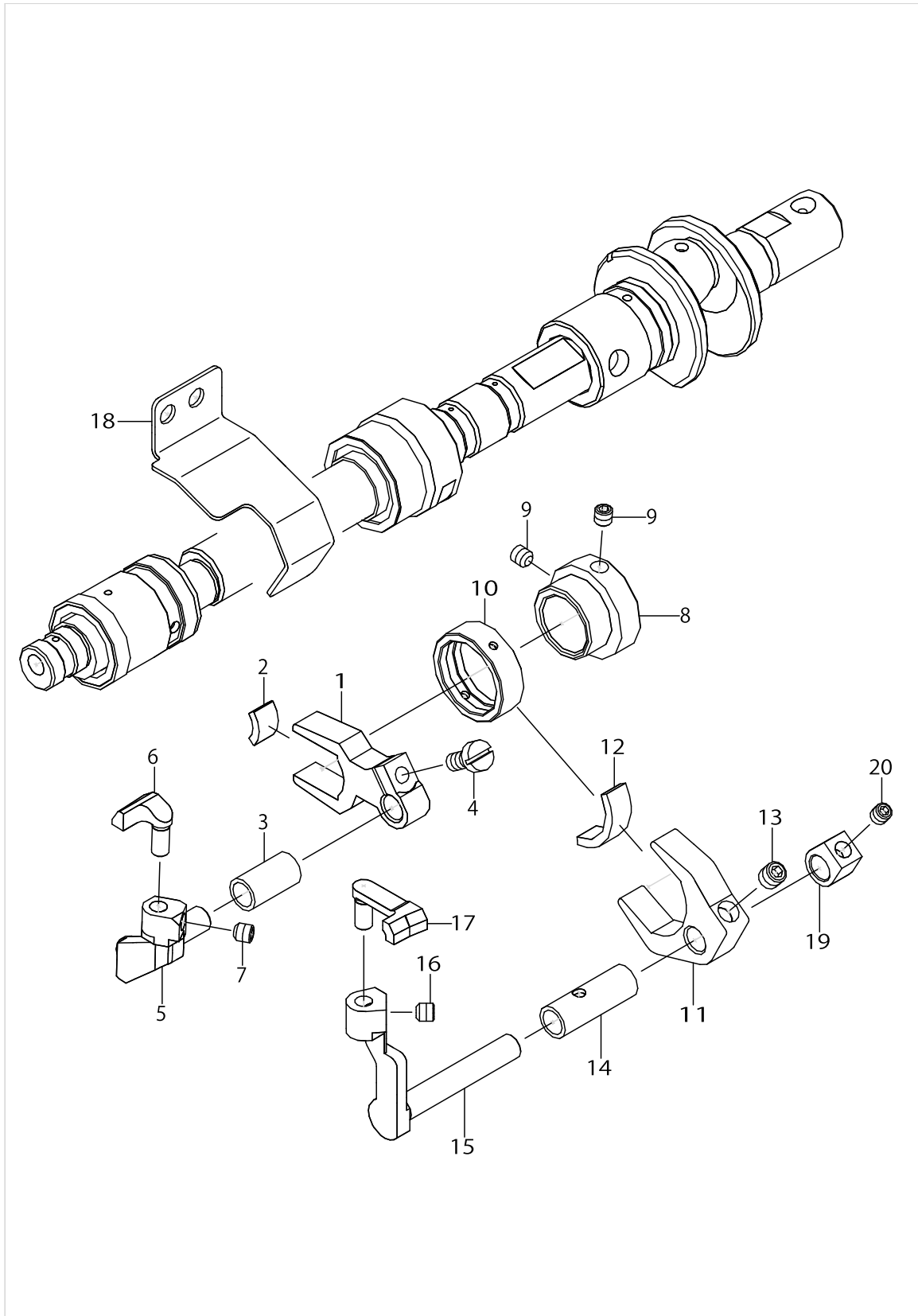
LOWER THREAD CAM COMPONENTS



LOWER THREAD CAM COMPONENTS

| No. | Parts No. | Parts name | Remarks | Level | Cons | Qty |
|-----|-------------|---------------------|---------|-------|------|-----|
| 1 | 13417209 | TAKE UP BASE | | | | 1 |
| 2 | 13418306 | BUMPER | | | | 1 |
| 3 | 13417308 | TAKE UP BASE GUIDE | | | | 1 |
| 4 | 13417407 | RESET KNOB | | | | 1 |
| 5 | RO037180100 | RUBBER RING | | | | 1 |
| 6 | PS0200142K0 | SPRING PIN 2.0X14 | | | | 1 |
| 7 | 13417704 | SPRING TAKE UP | | | | 1 |
| 8 | 13417902 | TAKE UP PLATE SHAFT | | | | 1 |
| 9 | RE0500000K0 | E-RING | | | | 1 |
| 10 | 13417506 | BASE TAKE UP PLATE | | | | 1 |
| 11 | SM8040412TP | SET SCREW M4 L=4 | | | | 1 |
| 12 | 40064971 | TAKE_UP_PLATE | | | | 1 |
| 13 | SM6030600SP | SCREW M3X0.5 L=6 | | | | 2 |
| 14 | 13417803 | THREAD GUIDE | | | | 1 |
| 15 | SM6040600SP | SCREW M4 L=6 | | | | 1 |
| 16 | 40064970 | EYELET_A | | | | 1 |
| 17 | 13418207 | EYELET B | | | | 1 |
| 18 | WP0280501SC | WASHER M2.6 | | | | 2 |
| 19 | SM4850455SP | SCREW | | | | 2 |
| 20 | SM6041000SP | SCREW M4 L=10 | | | | 2 |
| 21 | 13418009 | LOCATION SPRING | | | | 1 |
| 22 | SM4040655SP | SCREW M4 L=6 | | | | 1 |
| 23 | 40064974 | TAKE_UP_ASSY | | | | 1 |
| 24 | SM8050412TP | SCREW M5 L=4 | | | | 2 |
| 25 | WP0430800SC | WASHER M4 | | | | 1 |
| 26 | 40064969 | THREAD_CUTTER | | | | 1 |

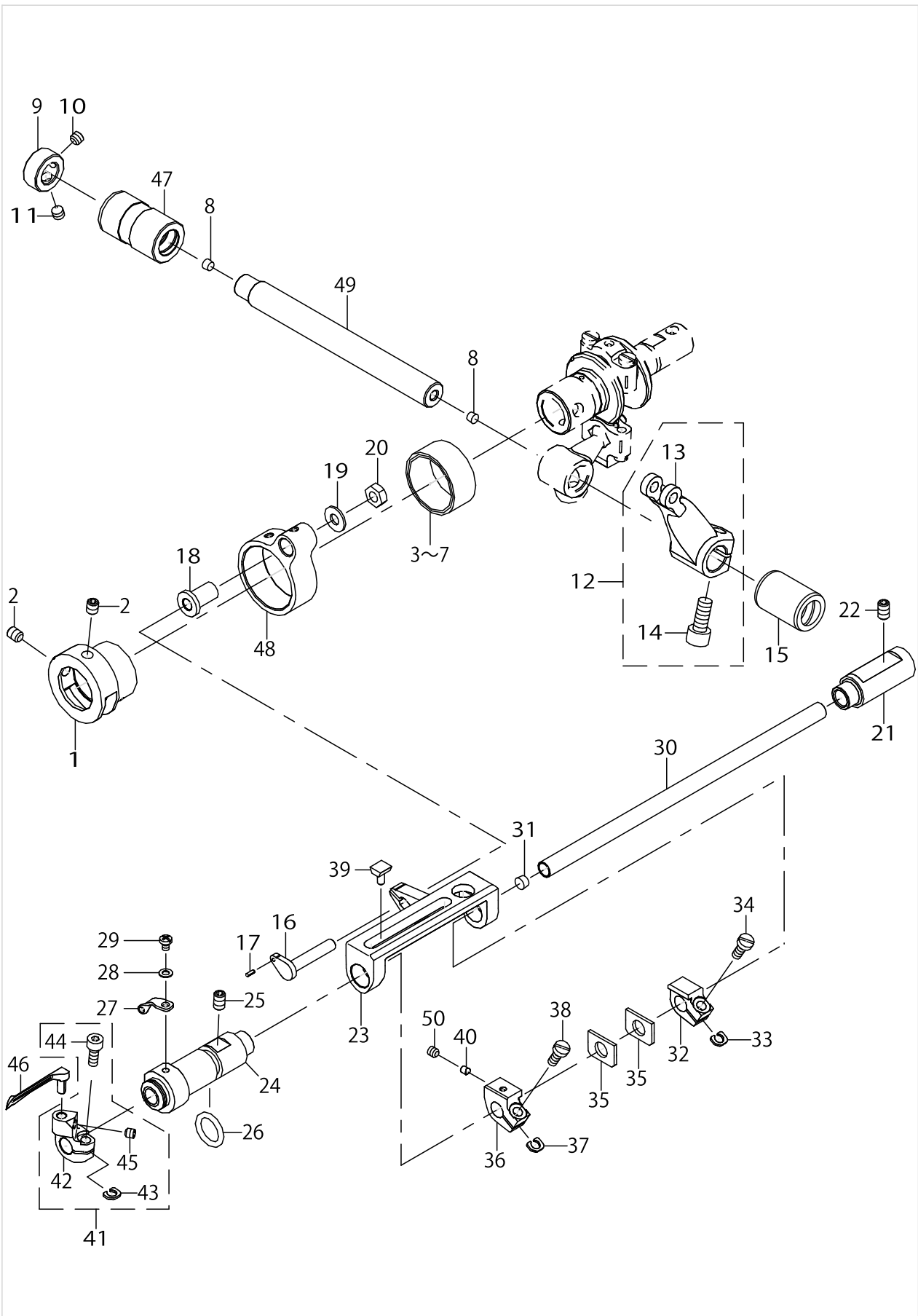
NEEDLE GUARD COMPONENTS



NEEDLE GUARD COMPONENTS

| No. | Parts No. | Parts name | Remarks | Level | Cons | Qty |
|-----|-------------|-------------------------|---------|-------|------|-----|
| 1 | 13420401 | FORK FRONT NDL GUARD | | | | 1 |
| 2 | 13421201 | FELT_FRONT_NDL_GUARD | | | | 1 |
| 3 | 13420807 | BUSH FRONT NDL GUARD | | | | 1 |
| 4 | SM6040800SP | SCREW | | | | 1 |
| 5 | 13420500 | HOLDER FRONT NDL GUARD | | | | 1 |
| 6 | 13420609 | FRONT NDL GUARD | | | | 1 |
| 7 | SM8040412TP | SET SCREW M4 L=4 | | | | 1 |
| 8 | 13420005 | CAM REAR NDL GUARD | | | | 1 |
| 9 | SM8040412TP | SET SCREW M4 L=4 | | | | 2 |
| 10 | 13421003 | REAR NEEDLE GUARD BLOCK | | | | 1 |
| 11 | 13420104 | FORK REAR N GUARD | | | | 1 |
| 12 | 13421300 | FELT_REAR_NDL_GUARD | | | | 1 |
| 13 | SM8050512TP | SCREW | | | | 1 |
| 14 | 13420708 | BUSH REAR NDL GUARD | | | | 1 |
| 15 | 13420203 | REAR N GUARD HOLDER | | | | 1 |
| 16 | SM8040412TP | SET SCREW M4 L=4 | | | | 1 |
| 17 | 13420302 | REAR NEEDLE GUARD | | | | 1 |
| 18 | 13420906 | NDL GUARD COVER | | | | 1 |
| 19 | 13421409 | COLLER_FOR_NDL_GUARD | | | | 1 |
| 20 | SM8040412TP | SET SCREW M4 L=4 | | | | 1 |

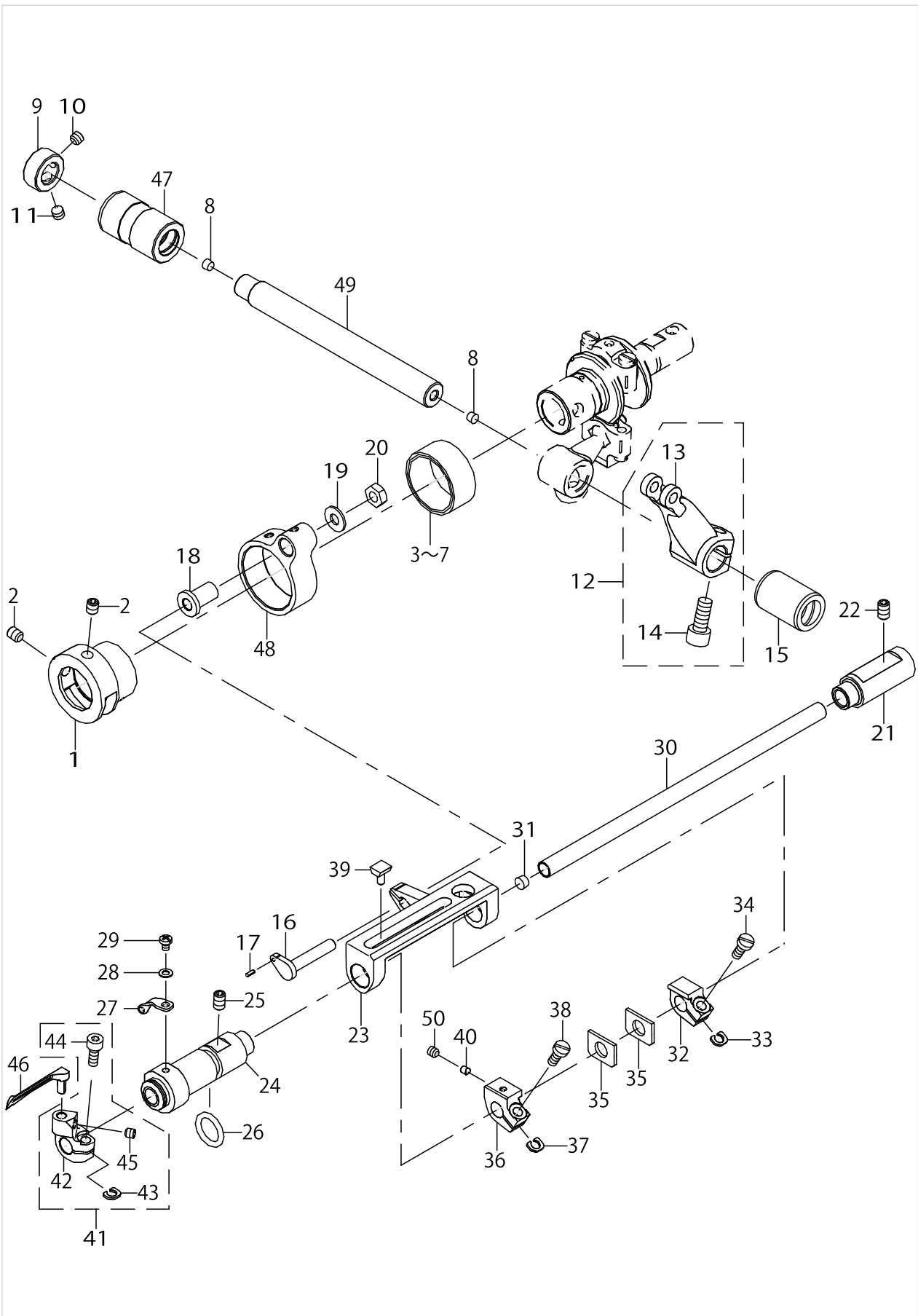
LOOPER COMPONENTS



LOOPER COMPONENTS

| No. | Parts No. | Parts name | Remarks | Level | Cons | Qty |
|-----|-------------|------------------------|-----------------|-------|------|-----|
| 1 | 13422001 | LOOPER ADOID ECCENTRIC | | | | 1 |
| 2 | SM8050612TP | SCREW M5X6 | | | | 2 |
| 3 | SB32600020A | BEARING | SELECTIVE PARTS | | | 1 |
| 4 | SB32600020B | BEARING | SELECTIVE PARTS | | | 1 |
| 5 | SB32600020C | BEARING | SELECTIVE PARTS | | | 1 |
| 6 | SB32600020D | BEARING | SELECTIVE PARTS | | | 1 |
| 7 | SB32600020E | BEARING | SELECTIVE PARTS | | | 1 |
| 8 | TA0400301M0 | PLUG D=4X4.5 L=3 | | | | 2 |
| 9 | CS1000881TP | THRUST COLLAR | | | | 1 |
| 10 | SM8050412TP | SCREW M5 L=4 | | | | 1 |
| 11 | SM8050642TP | SCREW | | | | 1 |
| 12 | 13424452 | LEVER_ASSY | | | | 1 |
| 13 | 13424403 | LEVER | | * | | 1 |
| 14 | SM6061402TP | SCREW M6 L=14 | | * | | 1 |
| 15 | 13424502 | BUSHING FRONT | | | | 1 |
| 16 | 13422704 | LOOPER AVOID PIN | | | | 1 |
| 17 | PS0150042K0 | SPRING PIN 1.5X 4 | | | | 1 |
| 18 | 13422803 | BUSHING | | | | 1 |
| 19 | B2107816000 | WASHER | | | | 1 |
| 20 | NM6050001SP | NUT M5 | | | | 1 |
| 21 | 13423009 | BUSHING RIGHT | | | | 1 |
| 22 | SM8050812TP | SCREW M5X8 | | | | 1 |
| 23 | 13422902 | GUIDE LOOPER BAR | | | | 1 |
| 24 | 13423108 | BUSHING LEFT | | | | 1 |
| 25 | SM8050812TP | SCREW M5X8 | | | | 1 |
| 26 | RO118240100 | O-RING | | | | 1 |
| 27 | 13425202 | LPR_THREAD_GUIDE | | | | 1 |
| 28 | WP0320500SC | WASHER M3 | | | | 1 |
| 29 | SM4030455SP | SCREW | | | | 1 |
| 30 | 13424601 | LOOPER BAR | | | | 1 |
| 31 | TA0600401R0 | PLUG | | | | 1 |
| 32 | 13423405 | HOLDER | | | | 1 |
| 33 | 13423801 | WASHER | | | | 1 |
| 34 | SM6041000SP | SCREW M4 L=10 | | | | 1 |
| 35 | 13423603 | WASHER | | | | 2 |
| 36 | 13423504 | SLIDER HOLDER | | | | 1 |
| 37 | 13423801 | WASHER | | | | 1 |
| 38 | SM6041000SP | SCREW M4 L=10 | | | | 1 |
| 39 | 13423306 | SLIDER | | | | 1 |
| 40 | 13423702 | PIN | | | | 1 |
| 41 | 40022804 | LOOPER_HOLDER_ASSY | | | | 1 |
| 42 | 13424700 | LOOPER HOLDER | | * | | 1 |
| 43 | 13423801 | WASHER | | * | | 1 |
| 44 | SM6041002TP | SCREW M4 L=10 | | * | | 1 |
| 45 | SM8040412TP | SET SCREW M4 L=4 | | * | | 1 |
| 46 | 13424809 | LOOPER | | | | 1 |
| 47 | 13423900 | BUSHING REAR | | | | 1 |

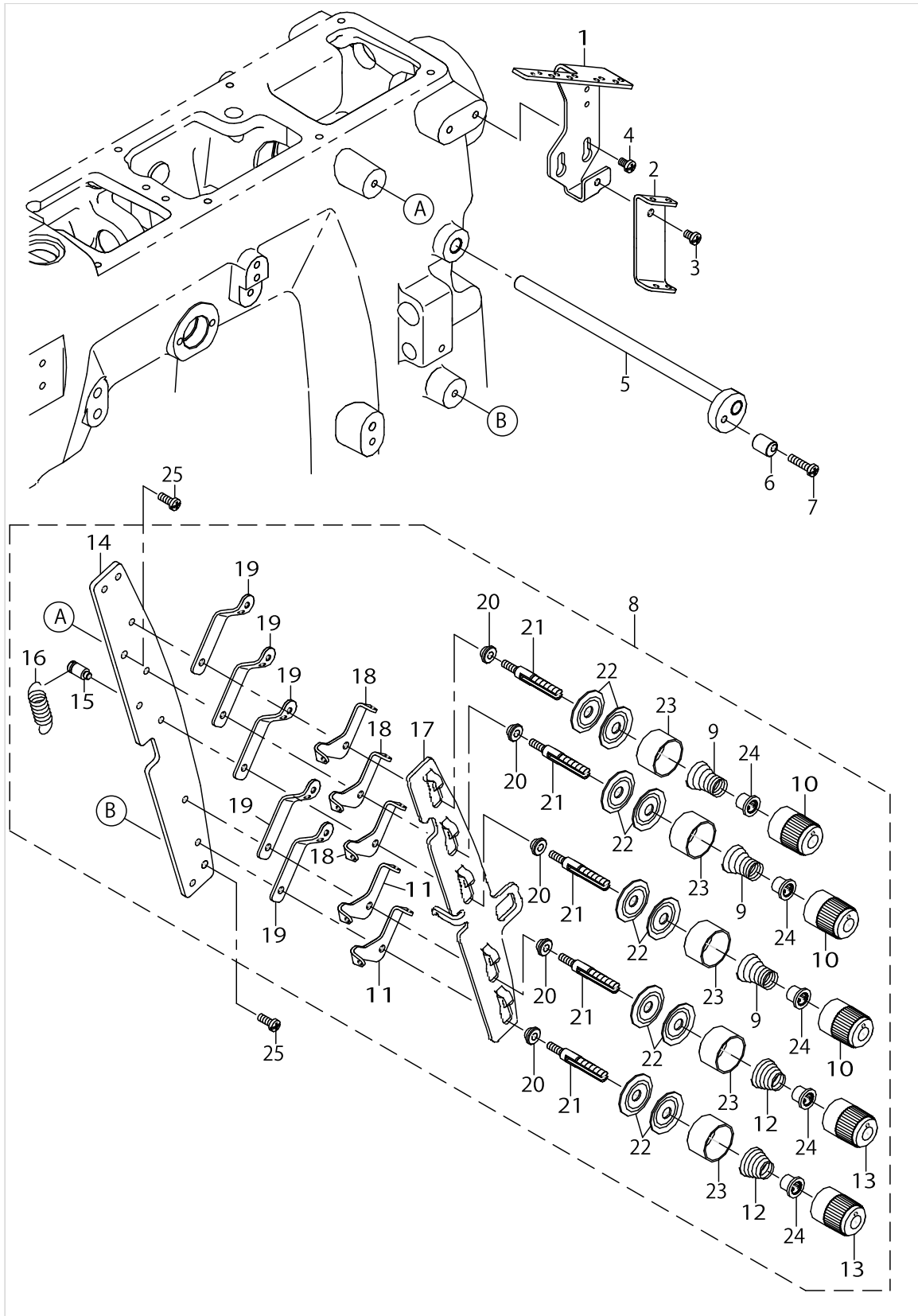
LOOPER COMPONENTS



LOOPER COMPONENTS

| No. | Parts No. | Parts name | Remarks | Level | Cons | Qty |
|-----|-------------|-------------------|---------|-------|------|-----|
| 48 | 13422605 | LOOPER AVOID LINK | | | | 1 |
| 49 | 13424304 | LOOPER SHAFT | | | | 1 |
| 50 | SM8040412TP | SET SCREW M4 L=4 | | | | 1 |

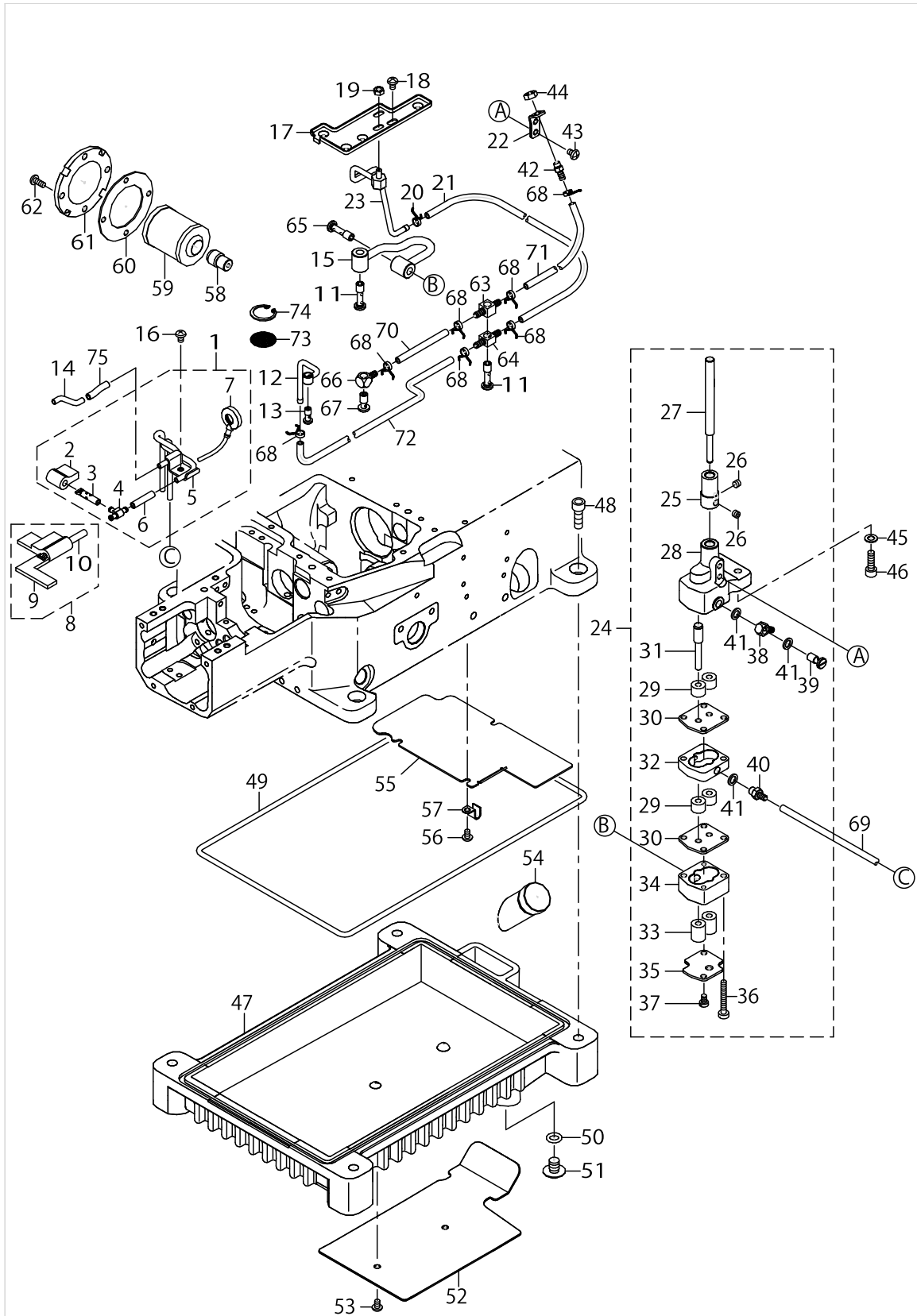
THREAD TENSION COMPONENTS



THREAD TENSION COMPONENTS

| No. | Parts No. | Parts name | Remarks | Level | Cons | Qty |
|-----|-------------|-----------------------------|---------|-------|------|-----|
| 1 | 13340005 | THREAD GUIDE PLATE | | | | 1 |
| 2 | 13340104 | THREAD GUIDE | | | | 1 |
| 3 | SM4040655SP | SCREW M4 L=6 | | | | 1 |
| 4 | SM4040655SP | SCREW M4 L=6 | | | | 2 |
| 5 | 13341359 | ASSY PULL OFF LEVER | | | | 1 |
| 6 | 40065785 | TENS_RELEASE_ADJ_ECC | | | | 1 |
| 7 | SM4041655SP | SCREW M4 L=16 | | | | 1 |
| 8 | 40066136 | THREAD_TENSION_ASSY | | | | 1 |
| 9 | 13140504 | TENSION SPRING | | * | | 3 |
| 10 | 40042364 | KNOB GREEN | | * | | 3 |
| 11 | 13340500 | TENSION DISC EYELET | | * | | 2 |
| 12 | B3121804000 | TENSION SPRING | | * | | 2 |
| 13 | 40042363 | KNOB | | * | | 2 |
| 14 | 13340203 | TENSION POST SUPPORT | | * | | 1 |
| 15 | 13340302 | SHOULDER SCREW | | * | | 1 |
| 16 | B2008372000 | THREAD TENSION SPRING | | * | | 1 |
| 17 | 40065784 | TENSION_DISC_SEPARATOR | | * | | 1 |
| 18 | 13341607 | TENSION_DISC_EYELET_2 | | * | | 3 |
| 19 | 13340609 | THREAD LEAD IN GUIDE | | * | | 5 |
| 20 | 13340708 | SPACER | | * | | 5 |
| 21 | 40042362 | TENSION POST | | * | | 5 |
| 22 | 13138201 | THREAD TENSION DISK | | * | | 10 |
| 23 | 40042366 | THREAD TENSION DISK PRESSER | | * | | 5 |
| 24 | 40042365 | SPRING BUSHING | | * | | 5 |
| 25 | SM4041055SP | SCREW | | | | 2 |

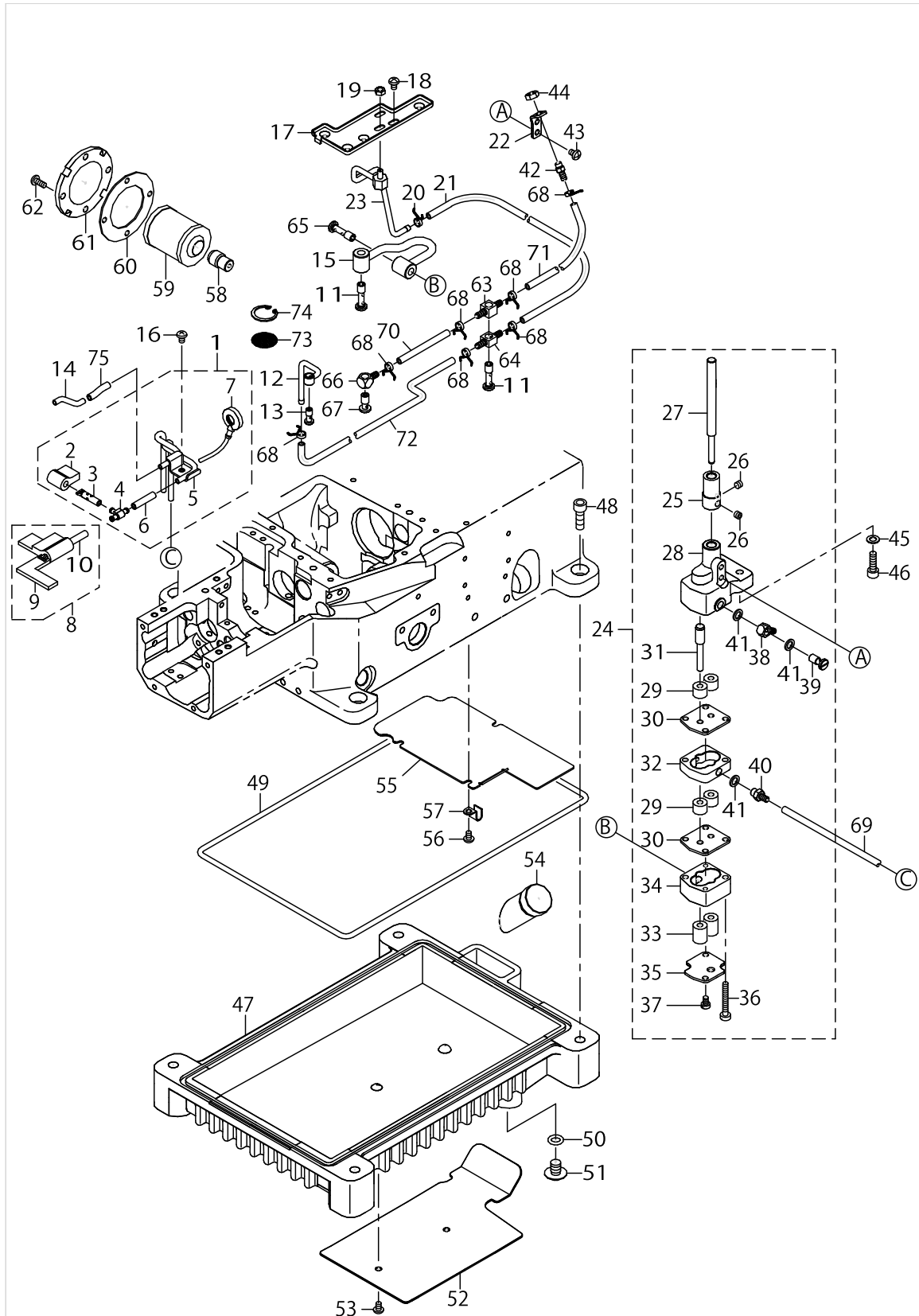
LUBRICATION COMPONENTS



LUBRICATION COMPONENTS

| No. | Parts No. | Parts name | Remarks | Level | Cons | Qty |
|-----|-------------|-------------------------|---------|-------|------|------|
| 1 | 13427851 | ASSY_BED_SUCTION | | | | 1 |
| 2 | 13427802 | FELT_FOR_BED_SUCTION | | * | | 1 |
| 3 | 13428305 | OIL_TUBE_FOR_SUCTION | | * | | 1 |
| 4 | 13765607 | OIL CONNEC. ARM | | * | | 1 |
| 5 | 13426754 | OIL SUCTION ASSY | | * | | 1 |
| 6 | 23630007 | TUBE | | * | | 0.03 |
| 7 | 13428255 | ASSY_LOOPER_SUCTION | | * | | 1 |
| 8 | 13427752 | ASSY_CYLINDER_SUCTION | | | | 1 |
| 9 | 13427703 | FELT_FOR_C_SUCTION | | * | | 1 |
| 10 | 13346408 | OIL TUBE FOR SUCTION | | * | | 1 |
| 11 | SQ2060442SD | CONNECTING SCREW | | | | 2 |
| 12 | 13427455 | ASSY_OIL_SUPPLY_FOR_LMS | | | | 1 |
| 13 | SQ2050391SD | CONNECTING SCREW | | | | 1 |
| 14 | 13428008 | OIL_SUCTION_FOR_BUSHING | | | | 1 |
| 15 | 13427257 | ASSY_OIL_PIPE | | | | 1 |
| 16 | SM4040655SP | SCREW M4 L=6 | | | | 1 |
| 17 | 40083514 | OIL SAUCER | | | | 1 |
| 18 | SM4040655SP | SCREW M4 L=6 | | | | 2 |
| 19 | NM6040001SP | NUT M4X0.7 | | | | 1 |
| 20 | 23629306 | PIPE STOPPER A | | | | 1 |
| 21 | BP30000010R | VINYL PIPE | | | | 0.5 |
| 22 | 13427307 | CONNECTING_SCR_BRACKET | | | | 1 |
| 23 | 13345053 | ASSY_OIL_SUPPLY_FOR_TOP | | | | 1 |
| 24 | 13426051 | ASSY_PUMP_3-STAGE | | | | 1 |
| 25 | 13343009 | WORM WHEEL | | * | | 1 |
| 26 | SM8050412TP | SCREW M5 L=4 | | * | | 2 |
| 27 | 13426002 | OIL PUMP SHAFT LARGE | | * | | 1 |
| 28 | 13343108 | OIL PUMP HOUSING | | * | | 1 |
| 29 | 13228309 | OIL PUMP PINION | | * | | 4 |
| 30 | 13343405 | OIL PUMP SPACER | | * | | 2 |
| 31 | 13426101 | OIL PUMP SHAFT SMALL | | * | | 1 |
| 32 | 13426200 | OIL PUMP CASING UPPER | | * | | 1 |
| 33 | 13228200 | OIL PUMP PINION | | * | | 2 |
| 34 | 13343207 | OIL PUMP CASING | | * | | 1 |
| 35 | 13343306 | OIL PUMP COVER | | * | | 1 |
| 36 | SM6043000SP | SCREW | | * | | 2 |
| 37 | SM6040600SP | SCREW M4 L=6 | | * | | 2 |
| 38 | SQ0000451MZ | CONNECTING SCREW | | * | | 1 |
| 39 | SQ2060443SD | CONNECTING SCREW | | * | | 1 |
| 40 | SQ2060451MZ | CONNECTING SCREW | | * | | 1 |
| 41 | 40004749 | GASKET | | * | | 3 |
| 42 | SQ2050452MZ | CONNECTING SCREW | | | | 1 |
| 43 | SM4040655SP | SCREW M4 L=6 | | | | 2 |
| 44 | NM6050001SP | NUT M5 | | | | 1 |
| 45 | WP0550800SP | WASHER 5.5X10X0.8 | | | | 2 |
| 46 | SM6051602TP | SCREW M5X0.8 L=16 | | | | 2 |
| 47 | 13426309 | OIL PAN | | | | 1 |

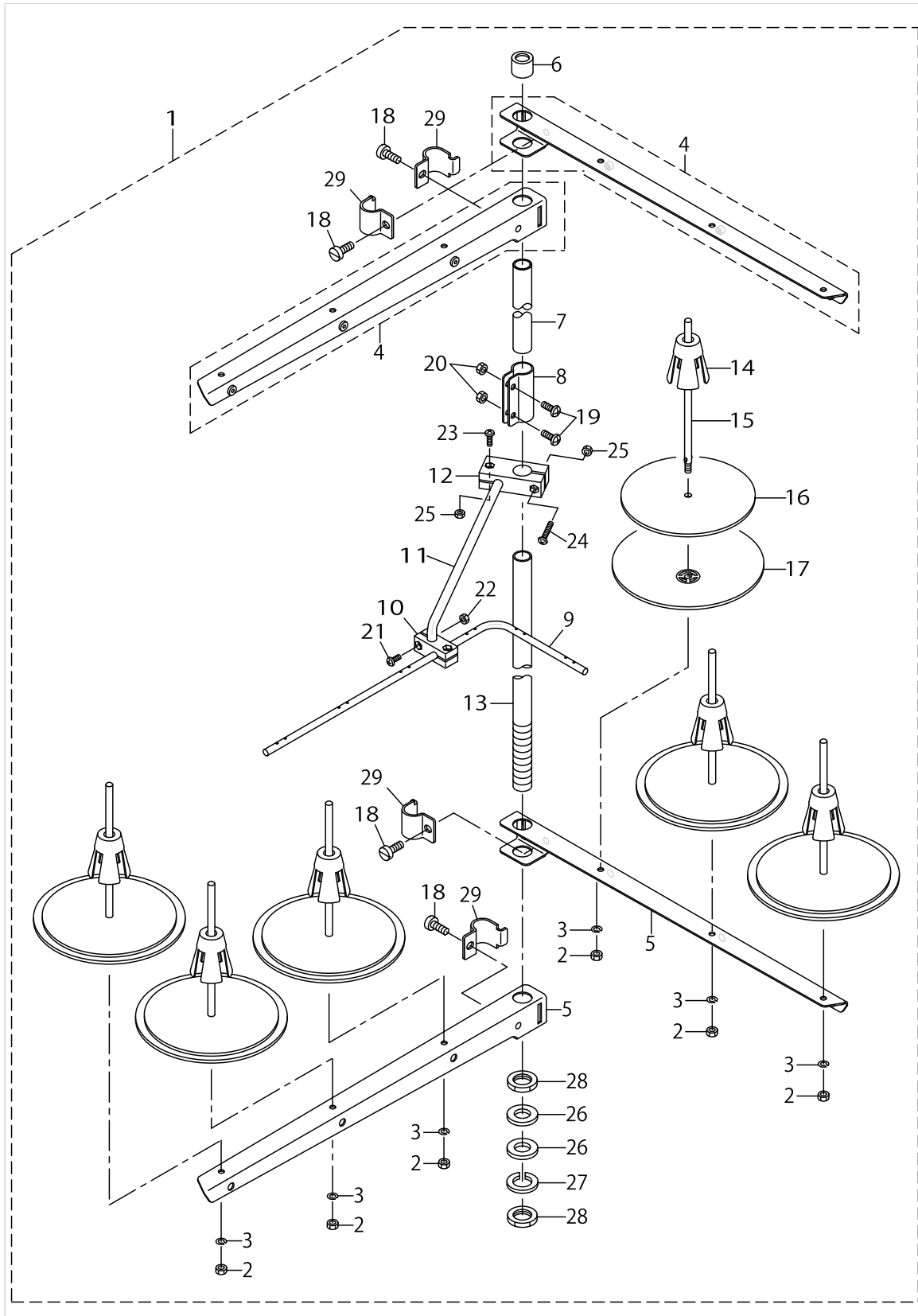
LUBRICATION COMPONENTS



LUBRICATION COMPONENTS

| No. | Parts No. | Parts name | Remarks | Level | Cons | Qty |
|-----|-------------|------------------|---------|-------|------|------|
| 48 | SM6081802TP | SCREW | | | | 4 |
| 49 | 13426408 | O RING | | | | 1 |
| 50 | 13170105 | RUBBER RING | | | | 1 |
| 51 | SM0081001SD | SCREW | | | | 1 |
| 52 | 13346309 | BREEZE_PLATE | | | | 1 |
| 53 | SM4040655SP | SCREW M4 L=6 | | | | 2 |
| 54 | 13346101 | OIL SIGHT GAUGE | | | | 1 |
| 55 | 13426606 | DUSTPROOF PLATE | | | | 1 |
| 56 | SM4040655SP | SCREW M4 L=6 | | | | 3 |
| 57 | 13427604 | TUBE HOLDER | | | | 1 |
| 58 | 13343801 | FITTING FILTER | | | | 1 |
| 59 | 13142500 | CARTRIDGE FILTER | | | | 1 |
| 60 | 13344809 | GASKET O | | | | 1 |
| 61 | 13345202 | FILTER_COVER | | | | 1 |
| 62 | SM4041055SP | SCREW | | | | 4 |
| 63 | SQ0000453MZ | CONNECTING SCREW | | | | 1 |
| 64 | SQ0000454MZ | CONNECTING SCREW | | | | 1 |
| 65 | SQ2060442SD | CONNECTING SCREW | | | | 1 |
| 66 | SQ0000452MZ | CONNECTING SCREW | | | | 1 |
| 67 | SQ2060443SD | CONNECTING SCREW | | | | 1 |
| 68 | 23629306 | PIPE STOPPER A | | | | 7 |
| 69 | 23630007 | TUBE | | | | 0.2 |
| 70 | BP30000010R | VINYL PIPE | | | | 0.09 |
| 71 | BP30000010R | VINYL PIPE | | | | 0.14 |
| 72 | BP30000010R | VINYL PIPE | | | | 0.13 |
| 73 | 13426903 | MESH PLATE | | | | 1 |
| 74 | RC1900002KP | C RING | | | | 1 |
| 75 | 23630007 | TUBE | | | | 0.02 |

THREAD STAND COMPONENTS

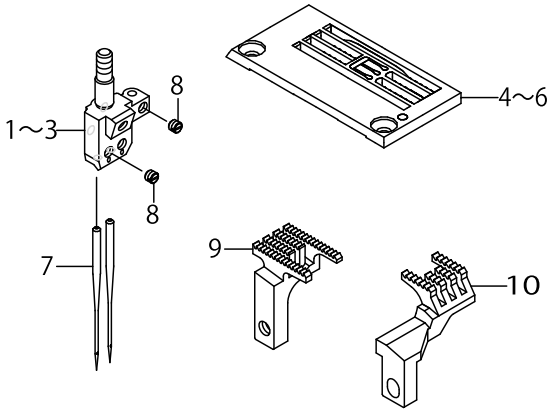


THREAD STAND COMPONENTS

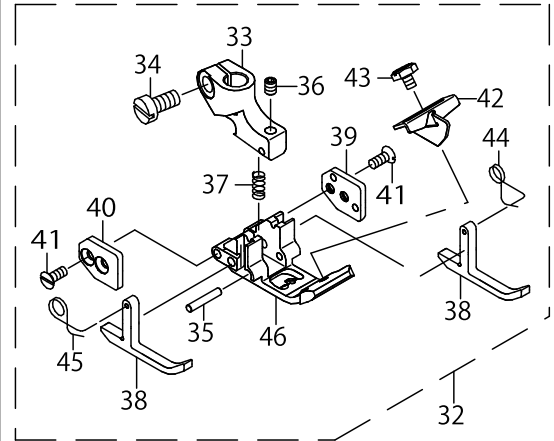
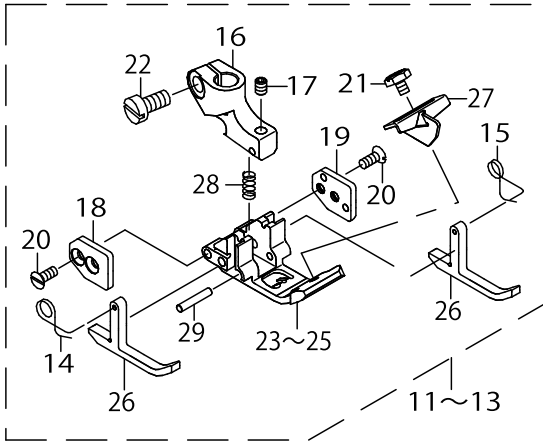
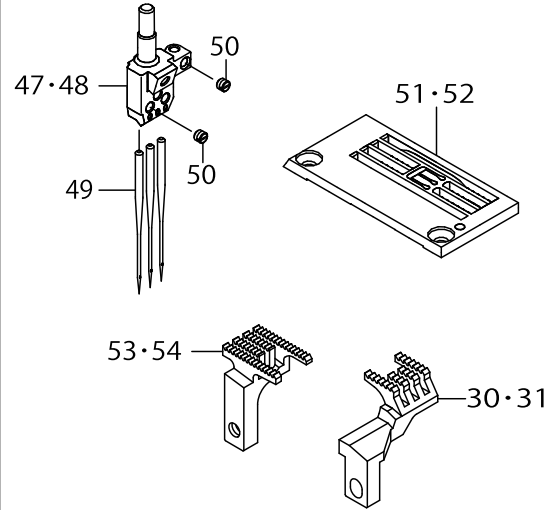
| No. | Parts No. | Parts name | Remarks | Level | Cons | Qty |
|-----|-------------|--------------------------------|---------|-------|------|-----|
| 1 | 40072506 | THREAD STAND ASM. | | | | 1 |
| 2 | NM6050001SE | NUT M5 | | * | | 6 |
| 3 | WS0510002KN | SPRING WASHER | | * | | 6 |
| 4 | 13168356 | THREAD STANDING ARM ASM. ,LONG | | * | | 2 |
| 5 | 13168307 | THREAD STANDING ARM ,LONG | | * | | 2 |
| 6 | 22931406 | THREAD STANDING ROD RUBBER CAP | | * | | 1 |
| 7 | 22930408 | THREAD STANDING ROD, UPPER | | * | | 1 |
| 8 | 22931307 | THREAD STANDING ROD JOINT | | * | | 1 |
| 9 | 40056675 | THREAD GUIDE ARM BASE | | * | | 1 |
| 10 | 13168000 | THREAD GUIDE BASE, LOWER | | * | | 1 |
| 11 | 13168109 | THREAD GUIDE ARM | | * | | 1 |
| 12 | 13168208 | THREAD GUIDE ARM BASE | | * | | 1 |
| 13 | 22930309 | THREAD STANDING ROD, LOWER | | * | | 1 |
| 14 | 22931109 | SPOOL RETAINER | | * | | 6 |
| 15 | 22931000 | SPOOL PIN | | * | | 6 |
| 16 | 22930903 | SPOOL REST CUSHION | | * | | 6 |
| 17 | 22930804 | SPOOL REST | | * | | 6 |
| 18 | SM6061610SC | SCREW M6 L=16 | | * | | 4 |
| 19 | SM4051405SE | SCREW M5 L=14 | | * | | 2 |
| 20 | NM6050001SE | NUT M5 | | * | | 2 |
| 21 | SM4041001SC | SCREW M4X0.7 L=10 | | * | | 2 |
| 22 | NM6040002SE | NUT M4X0.7 | | * | | 2 |
| 23 | SM4041201SC | SCREW M4 L=12 | | * | | 1 |
| 24 | SM4042001SC | SCREW M4 X 20 | | * | | 1 |
| 25 | NM6040002SE | NUT M4X0.7 | | * | | 2 |
| 26 | WP1612616SE | WASHER 16X30X2.6 | | * | | 2 |
| 27 | WS1643202KR | SPRING WASHER | | * | | 1 |
| 28 | NM6160511SE | NUT M16X1.5 | | * | | 2 |
| 29 | 22930705 | THREAD GUIDE ARM JOINT | | * | | 4 |

GAUGE PARTS COMPONENTS

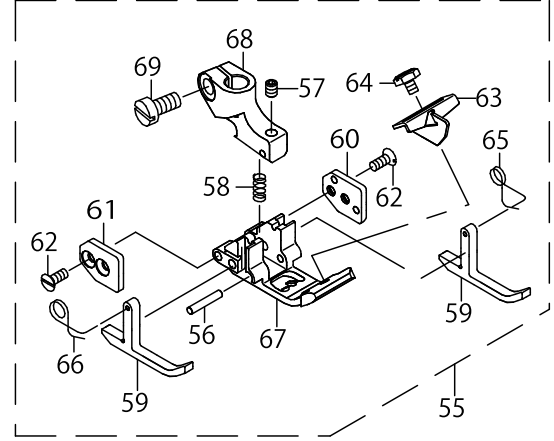
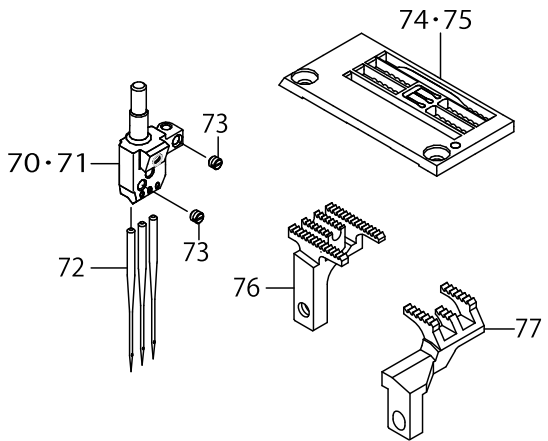
MF-7822-U10-B32
MF-7822-U10-B40
MF-7822-U10-B48



MF-7823-U10-B56 MF-7823D-U10-B56
MF-7823-U10-B64 MF-7823D-U10-B64



MF-7823-K10-B56
MF-7823-K10-B64

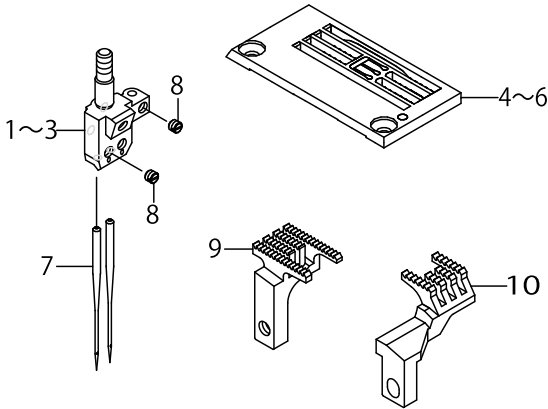


GAUGE PARTS COMPONENTS

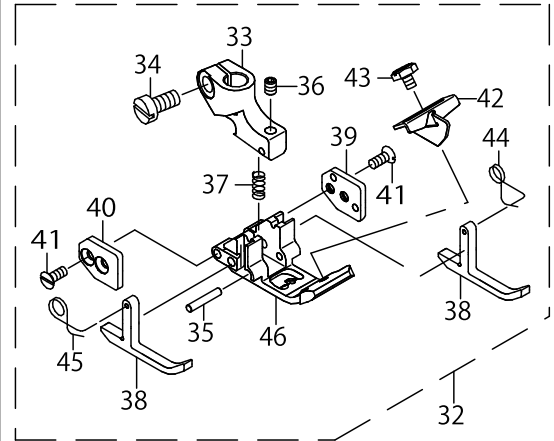
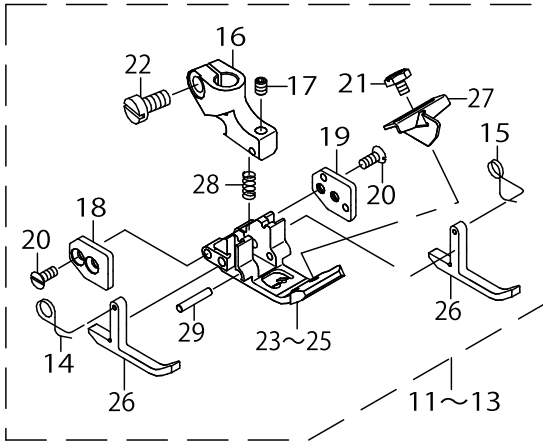
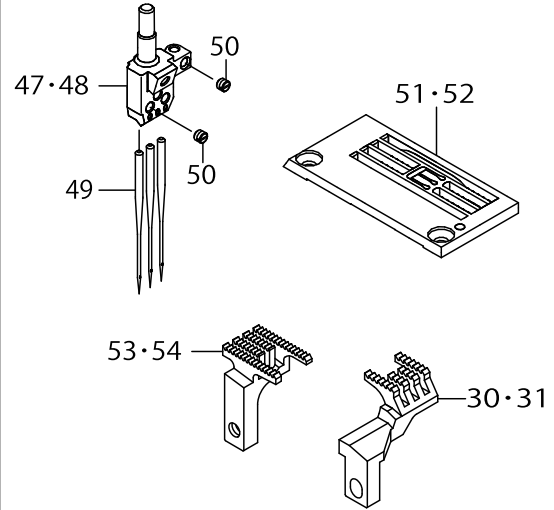
| No. | Parts No. | Parts name | Remarks | Level | Cons | Qty |
|-----|-------------|------------------------|----------------------|-------|------|-----|
| 1 | 13350509 | NEEDLE_HEAD_48 | FOR MF-7822-U10-B48 | | | 1 |
| 2 | 13350004 | NEEDLE_HEAD_32 | FOR MF-7822-U10-B32 | | | 1 |
| 3 | 13350103 | NEEDLE_HEAD_40 | FOR MF-7822-U10-B40 | | | 1 |
| 4 | 40040514 | THROAT PLATE | FOR MF-7822-U10-B48 | | | 1 |
| 5 | 40058587 | THROAT_PLATE | FOR MF-7822-U10-B32 | | | 1 |
| 6 | 40058706 | THROAT_PLATE | FOR MF-7822-U10-B40 | | | 1 |
| 7 | MUY128S1000 | NEEDLE UYX128GAS #10 | | | | 2 |
| 8 | SM8030350TP | SCREW | | | | 3 |
| 9 | 13431200 | MAIN_FEED_DOG | | | | 1 |
| 10 | 13433503 | DIFF_FEED_DOG | | | | 1 |
| 11 | 13376058 | PRESSER_FOOT_ASSY | FOR MF-7822-U10-B48 | | | 1 |
| 12 | 40058589 | PRESSER_FOOT_ASSY | FOR MF-7822-U10-B32 | | | 1 |
| 13 | 40058708 | PRESSER_FOOT_ASSY | FOR MF-7822-U10-B40 | | | 1 |
| 14 | 13375308 | SPRING_L | | * | | 1 |
| 15 | 13375407 | SPRING_R | | * | | 1 |
| 16 | 13375506 | PRESSER_FOOT_HINGE | | * | | 1 |
| 17 | SM8030412TP | SCREW | | * | | 1 |
| 18 | 13375605 | GUIDE_PLATE_L | | * | | 1 |
| 19 | 13375704 | GUIDE_PLATE_R | | * | | 1 |
| 20 | SM1850600SP | SCREW | | * | | 4 |
| 21 | 13377007 | SCREW | | * | | 1 |
| 22 | SM6040800SP | SCREW | | * | | 1 |
| 23 | 13376009 | PRESSER_FOOT_BOTTOM | FOR MF-7822-U10-B48 | * | | 1 |
| 24 | 40058588 | PRESSER_FOOT_BOTTOM | FOR MF-7822-U10-B32 | * | | 1 |
| 25 | 40058707 | PRESSER_FOOT_BOTTOM_40 | FOR MF-7822-U10-B40 | * | | 1 |
| 26 | 13375100 | P_F_YIELDING_SECTION | | * | | 2 |
| 27 | 13376900 | PRESSER_FOOT_GUIDE | | * | | 1 |
| 28 | 13377106 | SPRING | | * | | 1 |
| 29 | 13375209 | PIVOT_PIN | | * | | 1 |
| 30 | 13433503 | DIFF_FEED_DOG | FOR MF-7823D-U10-B56 | | | 1 |
| 31 | 13432109 | DIFF_FEED_DOG | FOR MF-7823D-U10-B64 | | | 1 |
| 32 | 13375050 | PRESSER_FOOT_ASSY | | | | 1 |
| 33 | 13375506 | PRESSER_FOOT_HINGE | | * | | 1 |
| 34 | SM6040800SP | SCREW | | * | | 1 |
| 35 | 13375209 | PIVOT_PIN | | * | | 1 |
| 36 | SM8030412TP | SCREW | | * | | 1 |
| 37 | 13377106 | SPRING | | * | | 1 |
| 38 | 13375100 | P_F_YIELDING_SECTION | | * | | 2 |
| 39 | 13375704 | GUIDE_PLATE_R | | * | | 1 |
| 40 | 13375605 | GUIDE_PLATE_L | | * | | 1 |
| 41 | SM1850600SP | SCREW | | * | | 4 |
| 42 | 13376900 | PRESSER_FOOT_GUIDE | | * | | 1 |
| 43 | 13377007 | SCREW | | * | | 1 |
| 44 | 13375407 | SPRING_R | | * | | 1 |
| 45 | 13375308 | SPRING_L | | * | | 1 |
| 46 | 13375001 | PRESSER_FOOT_BOTTOM | | * | | 1 |
| 47 | 13350301 | NEEDLE_HEAD_56 | FOR MF-7823D-U10-B56 | | | 1 |

GAUGE PARTS COMPONENTS

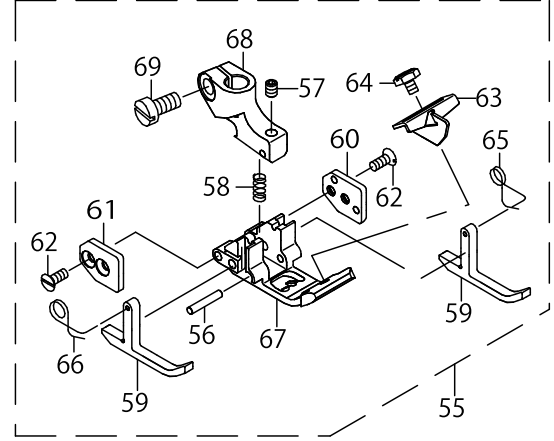
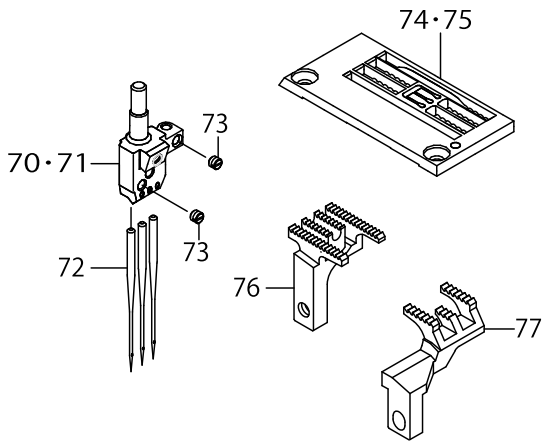
MF-7822-U10-B32
MF-7822-U10-B40
MF-7822-U10-B48



MF-7823-U10-B56 MF-7823D-U10-B56
MF-7823-U10-B64 MF-7823D-U10-B64



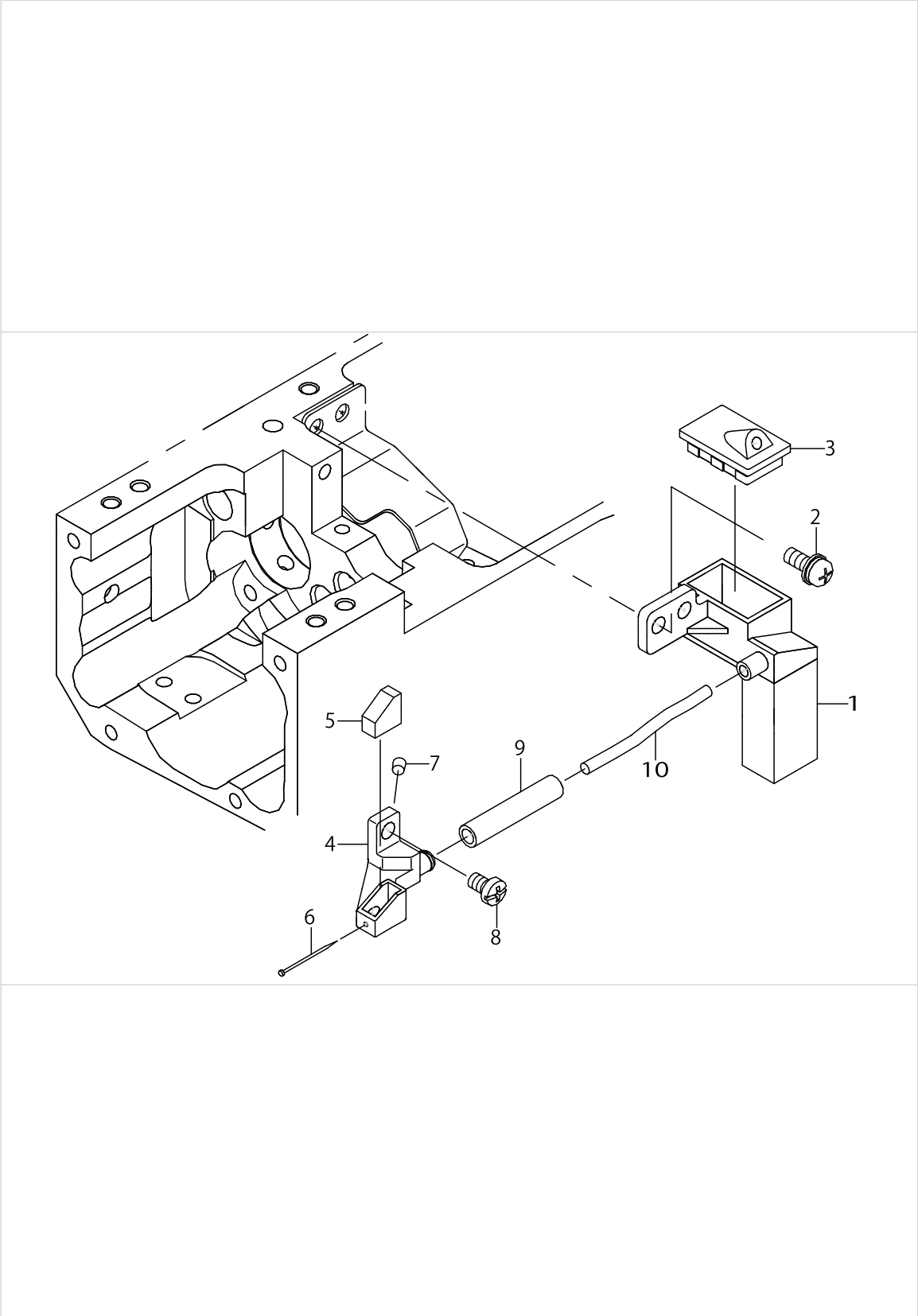
MF-7823-K10-B56
MF-7823-K10-B64



GAUGE PARTS COMPONENTS

| No. | Parts No. | Parts name | Remarks | Level | Cons | Qty |
|-----|-------------|----------------------|----------------------|-------|------|-----|
| 48 | 13350400 | NEEDLE_HEAD_64 | FOR MF-7823D-U10-B64 | | | 1 |
| 49 | MUY128S1000 | NEEDLE UYX128GAS #10 | | | | 3 |
| 50 | SM8030350TP | SCREW | | | | 4 |
| 51 | 40040515 | THROAT PLATE | FOR MF-7823D-U10-B56 | | | 1 |
| 52 | 40040513 | THROAT PLATE | FOR MF-7823D-U10-B64 | | | 1 |
| 53 | 13431200 | MAIN_FEED_DOG | FOR MF-7823D-U10-B56 | | | 1 |
| 54 | 13430103 | MAIN_FEED_DOG | FOR MF-7823D-U10-B64 | | | 1 |
| 55 | 13375050 | PRESSER_FOOT_ASSY | | | | 1 |
| 56 | 13375209 | PIVOT_PIN | | * | | 1 |
| 57 | SM8030412TP | SCREW | | * | | 1 |
| 58 | 13377106 | SPRING | | * | | 1 |
| 59 | 13375100 | P_F_YIELDING_SECTION | | * | | 2 |
| 60 | 13375704 | GUIDE_PLATE_R | | * | | 1 |
| 61 | 13375605 | GUIDE_PLATE_L | | * | | 1 |
| 62 | SM1850600SP | SCREW | | * | | 4 |
| 63 | 13376900 | PRESSER_FOOT_GUIDE | | * | | 1 |
| 64 | 13377007 | SCREW | | * | | 1 |
| 65 | 13375407 | SPRING_R | | * | | 1 |
| 66 | 13375308 | SPRING_L | | * | | 1 |
| 67 | 13375001 | PRESSER_FOOT_BOTTOM | | * | | 1 |
| 68 | 13375506 | PRESSER_FOOT_HINGE | | * | | 1 |
| 69 | SM6040800SP | SCREW | | * | | 1 |
| 70 | 13350301 | NEEDLE_HEAD_56 | FOR MF-7823-K10-B56 | | | 1 |
| 71 | 13350400 | NEEDLE_HEAD_64 | FOR MF-7823-K10-B64 | | | 1 |
| 72 | MUY128S1000 | NEEDLE UYX128GAS #10 | | | | 3 |
| 73 | SM8030350TP | SCREW | | | | 4 |
| 74 | 13352307 | THROAT PLATE | FOR MF-7823-K10-B56 | | | 1 |
| 75 | 13352406 | THROAT_PLATE | FOR MF-7823-K10-B64 | | | 1 |
| 76 | 13430707 | MAIN_FEED_DOG | | | | 1 |
| 77 | 13432901 | DIFF_FEED_DOG | | | | 1 |

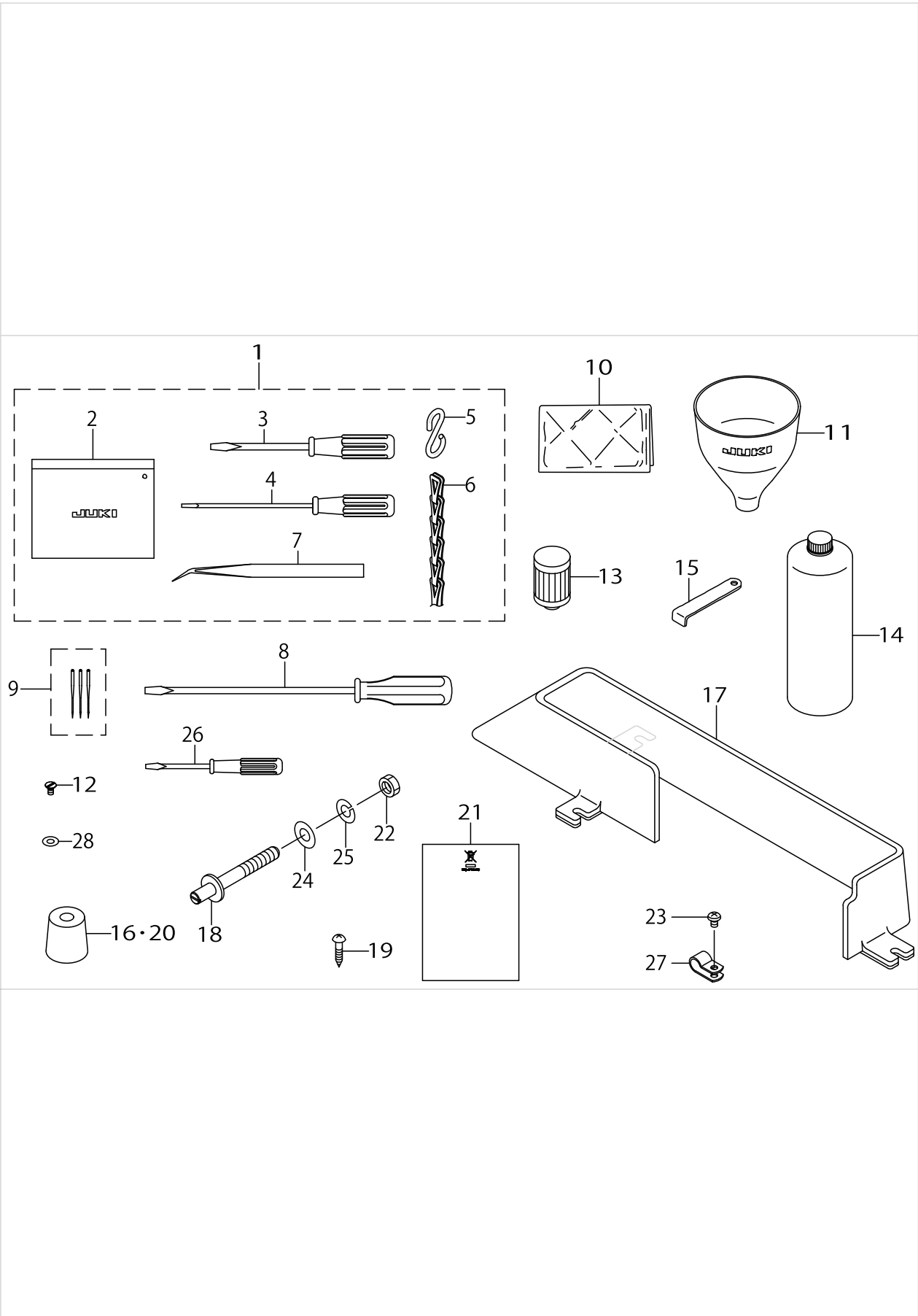
NEEDLE COOLING MECHANISM COMPONENTS



NEEDLE COOLING MECHANISM COMPONENTS

| No. | Parts No. | Parts name | Remarks | Level | Cons | Qty |
|-----|-------------|------------------------|---------|-------|------|------|
| 1 | 13429055 | SILICONE OIL TANK ASSY | | | | 1 |
| 2 | SL4041081SC | SCREW M4 L=10 | | | | 2 |
| 3 | 13429105 | SILICONE OIL TANK CAP | | | | 1 |
| 4 | 13429204 | SILICONE OIL CUP | | | | 1 |
| 5 | 13429303 | FELT | | | | 1 |
| 6 | 11856101 | NEEDLE COOLER PIN | | | | 1 |
| 7 | TA0290301M0 | PLUG | | | | 1 |
| 8 | SM4040655SP | SCREW M4 L=6 | | | | 1 |
| 9 | BT0600402EA | OIL TUBE | | | | 0.03 |
| 10 | CQ303000000 | OIL WICK | | | | 0.1 |

ACCESSORIES PARTS COMPONENTS



ACCESSORIES PARTS COMPONENTS

| No. | Parts No. | Parts name | Remarks | Level | Cons | Qty |
|-----|-------------|------------------------|---------|-------|------|-----|
| 1 | 40013913 | ACCESSORY_BAG_ASSY | | | | 1 |
| 2 | 22932800 | ACCESSORIE BAG | | * | | 1 |
| 3 | 22933105 | SCREW DRIVER,MIDDLE | | * | | 1 |
| 4 | 12347308 | SCREW DRIVER (SMALL) | | * | | 1 |
| 5 | 13160304 | S SHAPED HOOK | | * | | 2 |
| 6 | 26037903 | CHAIN | | * | | 1 |
| 7 | 12288403 | TWEEZERS | | * | | 1 |
| 8 | 22933006 | SCREW DRIVER,LARGE | | | | 1 |
| 9 | MUY128S1003 | NEEDLES(PACKAGE_OF_3) | | | | 1 |
| 10 | 40066645 | HEAD_COVER | | | | 1 |
| 11 | 13160601 | FUNNEL | | | | 1 |
| 12 | 13302203 | SCREW | | | | 1 |
| 13 | 13142500 | CARTRIDGE_FILTER | | | | 1 |
| 14 | MML018900CA | JUKI MACHINE OIL 18 | | | | 1 |
| 15 | B9101490000 | DRIVER | | | | 1 |
| 16 | 13155403 | DUST-PROOF RUBBER | | | | 3 |
| 17 | 13429709 | BELT_COVER | | | | 1 |
| 18 | 13349600 | PIN_FOR_RUBBER_CUSHION | | | | 4 |
| 19 | SK3412001SE | WOOD SCREW D=4.1 L=20 | | | | 3 |
| 20 | 40072505 | ISOLATOR | | | | 1 |
| 21 | CM600100201 | WEEE INFORMATION SHEET | | | | 1 |
| 22 | NM6080003SC | NUT M8 | | | | 4 |
| 23 | SM4040655SP | SCREW M4 L=6 | | | | 1 |
| 24 | WP0851216SC | WASHER 8.5X18.0X1.2 | | | | 4 |
| 25 | WS0820002KR | SPRING WASHER, M8 | | | | 4 |
| 26 | 22933204 | SCREW DRIVER,SMALL | | | | 1 |
| 27 | HX00150000C | CABLE CLIP | | | | 1 |
| 28 | WP0450826SC | WASHER 4.5X10X0.8 | | | | 3 |

HOW TO MAKE USE OF THIS PARTS LIST

1.As to "#01" and "#02" refer to the "Note" given at the bottom of the respective pages.

2.Codes on the "Qty" column

- Each numeral indicates the number of parts required.
- "0.1" and "2.5" indicate the length (in meters) of the respective parts.

3.Parentheses mean that the corresponding part is a subpart that constructs an assembly part.

4.Dotted lines on the Figures indicate assembly parts.

1. リストページの# 0 1、# 0 2の印は、ページ下の"注記"の説明を参照下さい。
2. 数量欄の数字は、個数を表し、0. 1、2. 5等の数値は、長さ（単位メートル）を表します。
3. 数量欄の（ ）は、組部品を構成している子部品であることを意味します。
4. イラストページの-----枠は、組構成であることを意味します。

NUMERICAL INDEX OF PARTS

| PART NO | PAGE | REF NO. | PART NO | PAGE | REF NO. | PART NO | PAGE | REF NO. |
|----------|------|---------|----------|------|---------|----------|------|---------|
| 10753309 | 6 | 8 | 13302500 | 6 | 30 | 13318803 | 18 | 15~17 |
| 11856101 | 52 | 6 | 13302658 | 4 | 54 | 13318902 | 18 | 15~17 |
| 12116604 | 18 | 37~41 | 13302708 | 2 | 43 | 13321203 | 24 | 57 |
| 12116703 | 18 | 37~41 | 13307004 | 10 | 1 | 13323308 | 18 | 9~11 |
| 12116802 | 18 | 37~41 | 13307251 | 10 | 4 | 13323407 | 18 | 9~11 |
| 12116901 | 18 | 37~41 | 13307301 | 10 | 7 | 13323506 | 18 | 9~11 |
| 12117008 | 18 | 37~41 | 13307459 | 10 | 9 | 13324009 | 10 | 17 |
| 12288403 | 54 | 7 | 13307509 | 10 | 11 | 13324108 | 10 | 51 |
| 12347308 | 54 | 4 | 13308309 | 10 | 37 | 13324108 | 12 | 51 |
| 13120605 | 20 | 91 | 13309000 | 10 | 35 | 13324207 | 10 | 18 |
| 13123302 | 16 | 76 | 13309158 | 10 | 32 | 13324306 | 26 | 3 |
| 13123302 | 24 | 58 | 13309208 | 10 | 23 | 13324504 | 26 | 5 |
| 13138201 | 40 | 22 | 13313101 | 14 | 25 | 13324603 | 26 | 8 |
| 13140504 | 40 | 9 | 13313309 | 14 | 26 | 13324702 | 26 | 10 |
| 13142500 | 44 | 59 | 13313408 | 14 | 27 | 13324801 | 26 | 12 |
| 13142500 | 54 | 13 | 13313606 | 14 | 33 | 13324900 | 26 | 13 |
| 13155403 | 54 | 16·20 | 13313705 | 14 | 29 | 13325006 | 26 | 15 |
| 13160304 | 54 | 5 | 13313804 | 14 | 37 | 13325105 | 26 | 17 |
| 13160601 | 54 | 11 | 13313903 | 14 | 40 | 13325204 | 26 | 23 |
| 13168000 | 46 | 10 | 13313952 | 14 | 39 | 13325402 | 26 | 28 |
| 13168109 | 46 | 11 | 13314109 | 14 | 44 | 13325501 | 26 | 30 |
| 13168208 | 46 | 12 | 13314406 | 16 | 51 | 13325600 | 26 | 34 |
| 13168307 | 46 | 5 | 13314505 | 16 | 58 | 13325709 | 26 | 31 |
| 13168356 | 46 | 4 | 13314703 | 16 | 56 | 13325808 | 28 | 57 |
| 13170105 | 44 | 50 | 13314752 | 16 | 55 | 13325907 | 28 | 58 |
| 13170402 | 30 | 35 | 13314802 | 16 | 54 | 13326004 | 28 | 59 |
| 13217401 | 24 | 54 | 13314901 | 16 | 59 | 13326103 | 28 | 60 |
| 13217500 | 24 | 53 | 13315007 | 16 | 49 | 13326202 | 6 | 43 |
| 13217708 | 24 | 56 | 13315106 | 16 | 61 | 13326202 | 28 | 61 |
| 13228200 | 42 | 33 | 13315205 | 14 | 47 | 13326301 | 28 | 48 |
| 13228309 | 42 | 29 | 13315304 | 16 | 63 | 13326350 | 26 | 47 |
| 13300801 | 6 | 11 | 13315353 | 16 | 62 | 13326400 | 28 | 49 |
| 13300900 | 2 | 10 | 13315502 | 16 | 67 | 13326509 | 28 | 51 |
| 13300959 | 2 | 9 | 13315551 | 16 | 66 | 13326608 | 28 | 53 |
| 13301007 | 2 | 14 | 13315601 | 16 | 72 | 13326707 | 28 | 63 |
| 13301304 | 2 | 15 | 13315650 | 16 | 71 | 13326806 | 14 | 16 |
| 13301403 | 2 | 26 | 13315700 | 16 | 73 | 13326905 | 26 | 37 |
| 13301700 | 2 | 20 | 13315809 | 16 | 74 | 13327002 | 26 | 40 |
| 13301809 | 2 | 30 | 13315908 | 14 | 30 | 13327101 | 26 | 43 |
| 13301908 | 6 | 29 | 13316203 | 14 | 41 | 13328208 | 30 | 5 |
| 13302203 | 6 | 12 | 13316302 | 14 | 34 | 13328802 | 30 | 21 |
| 13302203 | 54 | 12 | 13317300 | 18 | 21 | 13329206 | 30 | 28 |
| 13302302 | 2 | 52 | 13318001 | 20 | 67 | 13329404 | 30 | 23 |
| 13302302 | 4 | 52 | 13318308 | 20 | 75 | 13333208 | 14 | 42 |
| 13302401 | 2 | 28 | 13318704 | 18 | 15~17 | 13337100 | 12 | 53 |

NUMERICAL INDEX OF PARTS

| PART NO | PAGE | REF NO. | PART NO | PAGE | REF NO. | PART NO | PAGE | REF NO. |
|----------|------|---------|----------|------|---------|----------|------|---------|
| 13338900 | 30 | 29 | 13375506 | 50 | 68 | 13406905 | 10 | 28 |
| 13340005 | 40 | 1 | 13375605 | 48 | 61 | 13407101 | 10 | 29 |
| 13340104 | 40 | 2 | 13375605 | 50 | 61 | 13407200 | 12 | 56 |
| 13340203 | 40 | 14 | 13375704 | 48 | 60 | 13407259 | 12 | 50 |
| 13340302 | 40 | 15 | 13375704 | 50 | 60 | 13407457 | 10 | 39 |
| 13340500 | 40 | 11 | 13376009 | 48 | 23~25 | 13407507 | 10 | 45 |
| 13340609 | 40 | 19 | 13376058 | 48 | 11~13 | 13407606 | 12 | 70 |
| 13340708 | 40 | 20 | 13376900 | 48 | 63 | 13407804 | 12 | 61 |
| 13341359 | 40 | 5 | 13376900 | 50 | 63 | 13407903 | 12 | 62 |
| 13341607 | 40 | 18 | 13377007 | 48 | 64 | 13408307 | 10 | 26 |
| 13343009 | 42 | 25 | 13377007 | 50 | 64 | 13408406 | 10 | 41 |
| 13343108 | 42 | 28 | 13377106 | 48 | 58 | 13408505 | 10 | 43 |
| 13343207 | 42 | 34 | 13377106 | 50 | 58 | 13408604 | 12 | 63 |
| 13343306 | 42 | 35 | 13399209 | 30 | 8 | 13408703 | 12 | 60 |
| 13343405 | 42 | 30 | 13400601 | 6 | 28 | 13408802 | 20 | 66 |
| 13343801 | 44 | 58 | 13400650 | 6 | 27 | 13409107 | 20 | 61 |
| 13344809 | 44 | 60 | 13400700 | 6 | 37 | 13409107 | 22 | 11 |
| 13345053 | 42 | 23 | 13400809 | 6 | 38 | 13409206 | 20 | 60 |
| 13345202 | 44 | 61 | 13400908 | 2 | 32 | 13409206 | 22 | 10 |
| 13346101 | 44 | 54 | 13400957 | 2 | 31 | 13409305 | 24 | 48 |
| 13346309 | 44 | 52 | 13401005 | 2 | 36 | 13409602 | 22 | 25 |
| 13346408 | 42 | 10 | 13401104 | 2 | 47 | 13409701 | 22 | 26 |
| 13348008 | 26 | 18 | 13401203 | 2 | 34 | 13409800 | 22 | 27 |
| 13349600 | 54 | 18 | 13401302 | 6 | 47 | 13409909 | 22 | 23 |
| 13350004 | 48 | 1~3 | 13401351 | 6 | 46 | 13410006 | 18 | 1 |
| 13350103 | 48 | 1~3 | 13401401 | 8 | 50 | 13410105 | 18 | 8 |
| 13350301 | 48 | 70·71 | 13401500 | 6 | 16 | 13410204 | 18 | 13 |
| 13350301 | 50 | 70·71 | 13401609 | 6 | 25 | 13410600 | 18 | 22~24 |
| 13350400 | 50 | 70·71 | 13401708 | 6 | 19 | 13410709 | 18 | 22~24 |
| 13350509 | 48 | 1~3 | 13401757 | 6 | 15 | 13410808 | 18 | 22~24 |
| 13352307 | 50 | 74·75 | 13401807 | 6 | 17 | 13411004 | 18 | 27 |
| 13352406 | 50 | 74·75 | 13401906 | 6 | 20 | 13411152 | 20 | 76 |
| 13375001 | 48 | 67 | 13402003 | 6 | 44 | 13411202 | 22 | 16 |
| 13375001 | 50 | 67 | 13402102 | 8 | 48 | 13411301 | 20 | 72 |
| 13375050 | 48 | 55 | 13402201 | 6 | 13 | 13411400 | 20 | 71 |
| 13375050 | 50 | 55 | 13402300 | 6 | 40 | 13411509 | 18 | 34 |
| 13375100 | 48 | 59 | 13402409 | 6 | 42 | 13411608 | 18 | 46 |
| 13375100 | 50 | 59 | 13402706 | 2 | 38 | 13411707 | 20 | 59 |
| 13375209 | 48 | 56 | 13402805 | 6 | 41 | 13411707 | 22 | 9 |
| 13375209 | 50 | 56 | 13402904 | 2 | 46 | 13411806 | 20 | 64 |
| 13375308 | 48 | 66 | 13403407 | 6 | 32 | 13411806 | 22 | 14 |
| 13375308 | 50 | 66 | 13403506 | 2 | 40 | 13411806 | 30 | 12 |
| 13375407 | 48 | 65 | 13403605 | 2 | 44 | 13411905 | 20 | 53 |
| 13375407 | 50 | 65 | 13406608 | 10 | 2 | 13412002 | 20 | 50~52 |
| 13375506 | 48 | 68 | 13406707 | 10 | 30 | 13412101 | 20 | 50~52 |

NUMERICAL INDEX OF PARTS

| PART NO | PAGE | REF NO. | PART NO | PAGE | REF NO. | PART NO | PAGE | REF NO. |
|----------|------|---------|----------|------|---------|----------|------|---------|
| 13412200 | 20 | 50~52 | 13420401 | 34 | 1 | 13427455 | 42 | 12 |
| 13412705 | 22 | 38 | 13420500 | 34 | 5 | 13427604 | 44 | 57 |
| 13413208 | 22 | 39 | 13420609 | 34 | 6 | 13427703 | 42 | 9 |
| 13413307 | 20 | 86 | 13420708 | 34 | 14 | 13427752 | 42 | 8 |
| 13413406 | 22 | 3 | 13420807 | 34 | 3 | 13427802 | 42 | 2 |
| 13413604 | 22 | 6 | 13420906 | 34 | 18 | 13427851 | 42 | 1 |
| 13413703 | 20 | 81 | 13421003 | 34 | 10 | 13428008 | 42 | 14 |
| 13413802 | 20 | 82 | 13421201 | 34 | 2 | 13428255 | 42 | 7 |
| 13413901 | 20 | 79 | 13421300 | 34 | 12 | 13428305 | 42 | 3 |
| 13413950 | 20 | 78 | 13421409 | 34 | 19 | 13429055 | 52 | 1 |
| 13414008 | 20 | 80 | 13422001 | 36 | 1 | 13429105 | 52 | 3 |
| 13414107 | 20 | 84 | 13422605 | 38 | 48 | 13429204 | 52 | 4 |
| 13414206 | 22 | 20 | 13422704 | 36 | 16 | 13429303 | 52 | 5 |
| 13414305 | 18 | 36 | 13422803 | 36 | 18 | 13429709 | 54 | 17 |
| 13414404 | 18 | 43 | 13422902 | 36 | 23 | 13430103 | 50 | 53·54 |
| 13414503 | 20 | 56 | 13423009 | 36 | 21 | 13430707 | 50 | 76 |
| 13414701 | 22 | 47 | 13423108 | 36 | 24 | 13431200 | 48 | 53·54 |
| 13415104 | 22 | 46 | 13423306 | 36 | 39 | 13431200 | 50 | 53·54 |
| 13415500 | 20 | 63 | 13423405 | 36 | 32 | 13432109 | 48 | 30·31 |
| 13415500 | 22 | 13 | 13423504 | 36 | 36 | 13432901 | 50 | 77 |
| 13415708 | 18 | 26 | 13423603 | 36 | 35 | 13433503 | 48 | 30·31 |
| 13415807 | 18 | 28 | 13423702 | 36 | 40 | 13438007 | 2 | 1 |
| 13415906 | 18 | 29 | 13423801 | 36 | 43 | 13438106 | 2 | 2 |
| 13416052 | 22 | 29 | 13423900 | 36 | 47 | 13765607 | 42 | 4 |
| 13416102 | 22 | 31 | 13424106 | 12 | 58 | 22901805 | 2 | 7 |
| 13416201 | 22 | 32 | 13424205 | 12 | 57 | 22902506 | 2 | 11 |
| 13416458 | 22 | 35 | 13424304 | 38 | 49 | 22924708 | 6 | 10 |
| 13416508 | 22 | 37 | 13424403 | 36 | 13 | 22930309 | 46 | 13 |
| 13416706 | 22 | 41 | 13424452 | 36 | 12 | 22930408 | 46 | 7 |
| 13416854 | 22 | 40 | 13424502 | 36 | 15 | 22930705 | 46 | 29 |
| 13417100 | 24 | 55 | 13424601 | 36 | 30 | 22930804 | 46 | 17 |
| 13417209 | 32 | 1 | 13424700 | 36 | 42 | 22930903 | 46 | 16 |
| 13417308 | 32 | 3 | 13424809 | 36 | 46 | 22931000 | 46 | 15 |
| 13417407 | 32 | 4 | 13425202 | 36 | 27 | 22931109 | 46 | 14 |
| 13417506 | 32 | 10 | 13426002 | 42 | 27 | 22931307 | 46 | 8 |
| 13417704 | 32 | 7 | 13426051 | 42 | 24 | 22931406 | 46 | 6 |
| 13417803 | 32 | 14 | 13426101 | 42 | 31 | 22932800 | 54 | 2 |
| 13417902 | 32 | 8 | 13426200 | 42 | 32 | 22933006 | 54 | 8 |
| 13418009 | 32 | 21 | 13426309 | 42 | 47 | 22933105 | 54 | 3 |
| 13418207 | 32 | 17 | 13426408 | 44 | 49 | 22933204 | 54 | 26 |
| 13418306 | 32 | 2 | 13426606 | 44 | 55 | 22945505 | 28 | 52 |
| 13420005 | 34 | 8 | 13426754 | 42 | 5 | 22945802 | 28 | 50 |
| 13420104 | 34 | 11 | 13426903 | 44 | 73 | 23612609 | 26 | 9 |
| 13420203 | 34 | 15 | 13427257 | 42 | 15 | 23629306 | 42 | 68 |
| 13420302 | 34 | 17 | 13427307 | 42 | 22 | 23629306 | 44 | 68 |

NUMERICAL INDEX OF PARTS

| PART NO | PAGE | REF NO. | PART NO | PAGE | REF NO. | PART NO | PAGE | REF NO. |
|----------|------|---------|-------------|------|---------|-------------|------|---------|
| 23630007 | 6 | 31 | 40078277 | 10 | 22 | B1426180C00 | 18 | 3~6 |
| 23630007 | 42 | 75 | 40078278 | 12 | 66~68 | B1426180D00 | 18 | 3~6 |
| 23630007 | 44 | 75 | 40078279 | 12 | 66~68 | B2008372000 | 40 | 16 |
| 26037903 | 54 | 6 | 40078280 | 12 | 66~68 | B2107816000 | 36 | 19 |
| 30391601 | 26 | 24 | 40078282 | 12 | 75 | B2546232000 | 18 | 30 |
| 40004573 | 30 | 31 | 40078283 | 10 | 13 | B3121804000 | 40 | 12 |
| 40004749 | 42 | 41 | 40078284 | 10 | 16 | B3215470000 | 20 | 70 |
| 40013913 | 54 | 1 | 40078285 | 14 | 2 | B9101490000 | 54 | 15 |
| 40018259 | 14 | 31 | 40078290 | 14 | 3 | B9213850000 | 26 | 19 |
| 40022406 | 4 | 58 | 40078291 | 14 | 10 | B9214850000 | 26 | 20 |
| 40022804 | 36 | 41 | 40078292 | 14 | 4 | BP30000010R | 42 | 72 |
| 40033340 | 2 | 18 | 40078293 | 16 | 78 | BP30000010R | 44 | 72 |
| 40033341 | 2 | 19 | 40078293 | 30 | 33 | BT0600402EA | 52 | 9 |
| 40033518 | 2 | 17 | 40078294 | 14 | 13 | CM300200001 | 2 | 8 |
| 40040154 | 22 | 43 | 40078295 | 14 | 14 | CM301200001 | 6 | 5 |
| 40040155 | 24 | 51 | 40078296 | 14 | 21 | CM600100101 | 4 | 56 |
| 40040208 | 22 | 44 | 40078299 | 14 | 19 | CM600100201 | 54 | 21 |
| 40040513 | 50 | 51·52 | 40078300 | 14 | 20 | CQ202000000 | 20 | 49 |
| 40040514 | 48 | 4~6 | 40078301 | 14 | 7 | CQ300000001 | 12 | 65 |
| 40040515 | 50 | 51·52 | 40078302 | 14 | 12 | CQ300000001 | 20 | 58 |
| 40042362 | 40 | 21 | 40078303 | 14 | 6 | CQ300000001 | 22 | 5 |
| 40042363 | 40 | 13 | 40078304 | 14 | 8 | CQ303000000 | 18 | 25 |
| 40042364 | 40 | 10 | 40078305 | 14 | 11 | CQ303000000 | 52 | 10 |
| 40042365 | 40 | 24 | 40078306 | 14 | 5 | CS0800881TP | 16 | 52 |
| 40042366 | 40 | 23 | 40078307 | 14 | 46 | CS1000881TP | 24 | 49 |
| 40056675 | 46 | 9 | 40078309 | 30 | 11 | CS1000881TP | 26 | 6 |
| 40058587 | 48 | 4~6 | 40078310 | 30 | 7 | CS1000881TP | 30 | 19 |
| 40058588 | 48 | 23~25 | 40078311 | 30 | 13 | CS1000881TP | 36 | 9 |
| 40058589 | 48 | 11~13 | 40078312 | 30 | 16 | E3025721000 | 20 | 62 |
| 40058706 | 48 | 4~6 | 40078313 | 30 | 17 | E3025721000 | 22 | 12 |
| 40058707 | 48 | 23~25 | 40078314 | 30 | 18 | HX00150000C | 54 | 27 |
| 40058708 | 48 | 11~13 | 40078316 | 30 | 25 | MML018900CA | 54 | 14 |
| 40064969 | 32 | 26 | 40078317 | 14 | 18 | MUY128S1000 | 48 | 72 |
| 40064970 | 32 | 16 | 40078318 | 30 | 1 | MUY128S1000 | 50 | 72 |
| 40064971 | 32 | 12 | 40078319 | 30 | 4 | MUY128S1003 | 54 | 9 |
| 40064974 | 32 | 23 | 40078320 | 14 | 1 | NM6040001SP | 2 | 51 |
| 40064975 | 12 | 59 | 40081402 | 30 | 10 | NM6040001SP | 4 | 51 |
| 40065784 | 40 | 17 | 40081954 | 6 | 6 | NM6040001SP | 6 | 35 |
| 40065785 | 40 | 6 | 40081956 | 6 | 9 | NM6040001SP | 18 | 90 |
| 40066136 | 40 | 8 | 40081965 | 12 | 76 | NM6040001SP | 20 | 90 |
| 40066645 | 54 | 10 | 40083514 | 42 | 17 | NM6040001SP | 42 | 19 |
| 40070559 | 14 | 28 | 40083520 | 30 | 3 | NM6040002SE | 46 | 25 |
| 40070573 | 14 | 24 | B1248280000 | 18 | 42 | NM6050001SC | 20 | 92 |
| 40072505 | 54 | 16·20 | B1426180A00 | 18 | 3~6 | NM6050001SE | 46 | 20 |
| 40072506 | 46 | 1 | B1426180B00 | 18 | 3~6 | NM6050001SP | 18 | 33 |

NUMERICAL INDEX OF PARTS

| PART NO | PAGE | REF NO. | PART NO | PAGE | REF NO. | PART NO | PAGE | REF NO. |
|-------------|------|---------|-------------|------|---------|-------------|------|---------|
| NM6050001SP | 28 | 54 | SD0700586TP | 16 | 65 | SM4051055SP | 12 | 55 |
| NM6050001SP | 30 | 27 | SD0800626TH | 22 | 8 | SM4051255SP | 4 | 55 |
| NM6050001SP | 36 | 20 | SD0801636TH | 20 | 55 | SM4051255SP | 22 | 52 |
| NM6050001SP | 42 | 44 | SD0801866TH | 22 | 7 | SM4051255SP | 24 | 52 |
| NM6050003SC | 20 | 93 | SK3412001SE | 54 | 19 | SM4051405SE | 46 | 19 |
| NM6060001CP | 16 | 69 | SL4040805SC | 4 | 61 | SM4850455SP | 22 | 34 |
| NM6080003SC | 54 | 22 | SL4041081SC | 52 | 2 | SM4850455SP | 26 | 42 |
| NM6160511SE | 46 | 28 | SM0081001SD | 44 | 51 | SM4850455SP | 32 | 19 |
| PH0300252C0 | 6 | 22 | SM1040800SP | 2 | 37 | SM5050855SN | 4 | 59 |
| PS0150042K0 | 8 | 49 | SM1040800SP | 26 | 46 | SM6030500SN | 14 | 36 |
| PS0150042K0 | 36 | 17 | SM1040860SP | 6 | 45 | SM6030600SP | 4 | 48 |
| PS0150082KH | 26 | 21 | SM1850600SP | 48 | 62 | SM6030600SP | 32 | 13 |
| PS0200142K0 | 32 | 6 | SM1850600SP | 50 | 62 | SM6030650TP | 22 | 33 |
| PS0300122KH | 12 | 64 | SM4030455SN | 2 | 22 | SM6040600SP | 32 | 15 |
| PS0400082KP | 10 | 36 | SM4030455SP | 14 | 32 | SM6040600SP | 42 | 37 |
| PS0500142KP | 16 | 60 | SM4030455SP | 26 | 33 | SM6040800SP | 22 | 21 |
| PS0500202KP | 22 | 2 | SM4030455SP | 36 | 29 | SM6040800SP | 28 | 56 |
| RC1900002KP | 44 | 74 | SM4030655SP | 6 | 33 | SM6040800SP | 30 | 24 |
| RC2251213KP | 18 | 7 | SM4030655SP | 14 | 17 | SM6040800SP | 34 | 4 |
| RC4381514KP | 12 | 73 | SM4030655SP | 26 | 45 | SM6040800SP | 48 | 69 |
| RC4881514KP | 12 | 72 | SM4030855SN | 26 | 26 | SM6040800SP | 50 | 69 |
| RE0300000K0 | 2 | 41 | SM4040655SN | 24 | 60 | SM6040870SP | 6 | 39 |
| RE0300000K0 | 16 | 77 | SM4040655SP | 2 | 29 | SM6041000SP | 14 | 38 |
| RE0300000K0 | 22 | 1 | SM4040655SP | 6 | 21 | SM6041000SP | 20 | 83 |
| RE0500000K0 | 18 | 74 | SM4040655SP | 26 | 62 | SM6041000SP | 32 | 20 |
| RE0500000K0 | 20 | 74 | SM4040655SP | 28 | 62 | SM6041000SP | 36 | 38 |
| RE0500000K0 | 32 | 9 | SM4040655SP | 32 | 22 | SM6041002TP | 36 | 44 |
| RO037180100 | 6 | 24 | SM4040655SP | 40 | 4 | SM6041200SP | 14 | 43 |
| RO037180100 | 32 | 5 | SM4040655SP | 42 | 56 | SM6041200SP | 30 | 22 |
| RO055200100 | 20 | 73 | SM4040655SP | 44 | 56 | SM6041202TP | 16 | 64 |
| RO068190100 | 20 | 77 | SM4040655SP | 52 | 8 | SM6042000SP | 20 | 89 |
| RO068190100 | 22 | 45 | SM4040655SP | 54 | 23 | SM6043000SP | 42 | 36 |
| RO118240100 | 36 | 26 | SM4040855SP | 6 | 36 | SM6051000SP | 14 | 15 |
| RO195240100 | 8 | 52 | SM4041001SC | 46 | 21 | SM6051002TP | 26 | 1 |
| RO445300100 | 12 | 74 | SM4041055SP | 2 | 50 | SM6051202TP | 16 | 57 |
| SB115002300 | 12 | 49 | SM4041055SP | 4 | 50 | SM6051400SP | 2 | 45 |
| SB120001900 | 10 | 19 | SM4041055SP | 6 | 51 | SM6051400SP | 18 | 32 |
| SB32600020A | 36 | 3~7 | SM4041055SP | 8 | 51 | SM6051400SP | 22 | 42 |
| SB32600020B | 36 | 3~7 | SM4041055SP | 26 | 14 | SM6051402TP | 26 | 11 |
| SB32600020C | 36 | 3~7 | SM4041055SP | 40 | 25 | SM6051602TP | 42 | 46 |
| SB32600020D | 36 | 3~7 | SM4041055SP | 44 | 62 | SM6060800SP | 2 | 25 |
| SB32600020E | 36 | 3~7 | SM4041201SC | 46 | 23 | SM6060800SP | 16 | 50 |
| SD0550906TP | 12 | 52 | SM4041655SP | 40 | 7 | SM6061002TP | 16 | 48 |
| SD0640246SP | 2 | 24 | SM4042001SC | 46 | 24 | SM6061200SP | 10 | 25 |
| SD0700206TP | 14 | 45 | SM4050855SP | 4 | 57 | SM6061202TP | 16 | 70 |

NUMERICAL INDEX OF PARTS

| PART NO | PAGE | REF NO. | PART NO | PAGE | REF NO. | PART NO | PAGE | REF NO. |
|-------------|------|---------|-------------|------|---------|-------------|------|---------|
| SM6061402TP | 10 | 15 | SM8060552TP | 18 | 87 | WP0450826SC | 22 | 18 |
| SM6061402TP | 30 | 6 | SM8060552TP | 20 | 87 | WP0450826SC | 28 | 55 |
| SM6061402TP | 36 | 14 | SM8060552TP | 22 | 30 | WP0450826SC | 54 | 28 |
| SM6061610SC | 46 | 18 | SM8060612TP | 6 | 4 | WP0450846SP | 22 | 22 |
| SM6081802TP | 44 | 48 | SM8060612TP | 10 | 40 | WP0460556SD | 16 | 75 |
| SM8030312TP | 26 | 25 | SM8060612TP | 18 | 2 | WP0460556SD | 22 | 19 |
| SM8030350TP | 48 | 73 | SM8060612TP | 30 | 15 | WP0522016SH | 26 | 4 |
| SM8030350TP | 50 | 73 | SM8060812TP | 10 | 38 | WP0550800SP | 2 | 42 |
| SM8030412TP | 48 | 57 | SM8060842TP | 10 | 47 | WP0550800SP | 30 | 26 |
| SM8030412TP | 50 | 57 | SM8061212TP | 10 | 31 | WP0550800SP | 42 | 45 |
| SM8040360TP | 2 | 39 | SM8080812TP | 10 | 24 | WP0550836SC | 4 | 60 |
| SM8040360TP | 6 | 23 | SM8550952TP | 12 | 69 | WP0621016SD | 24 | 59 |
| SM8040410TP | 14 | 35 | SM9061050TP | 30 | 14 | WP0702026SP | 14 | 22 |
| SM8040412TP | 2 | 3 | SM9062550TP | 16 | 68 | WP0851216SC | 54 | 24 |
| SM8040412TP | 20 | 69 | SQ0000451MZ | 42 | 38 | WP1022016SH | 30 | 30 |
| SM8040412TP | 22 | 28 | SQ0000452MZ | 44 | 66 | WP1612616SE | 46 | 26 |
| SM8040412TP | 30 | 9 | SQ0000453MZ | 44 | 63 | WS0510002KN | 28 | 64 |
| SM8040412TP | 32 | 11 | SQ0000454MZ | 44 | 64 | WS0510002KN | 46 | 3 |
| SM8040412TP | 34 | 20 | SQ2050391SD | 42 | 13 | WS0510002KP | 12 | 54 |
| SM8040412TP | 36 | 50 | SQ2050452MZ | 42 | 42 | WS0510002KP | 26 | 2 |
| SM8040412TP | 38 | 50 | SQ2060442SD | 42 | 65 | WS0820002KR | 54 | 25 |
| SM8040512TP | 22 | 36 | SQ2060442SD | 44 | 65 | WS1643202KR | 46 | 27 |
| SM8040602TP | 20 | 68 | SQ2060443SD | 42 | 67 | WZ0641510KP | 2 | 21 |
| SM8041012TP | 6 | 34 | SQ2060443SD | 44 | 67 | WZ1052010KP | 14 | 23 |
| SM8050412TP | 12 | 71 | SQ2060451MZ | 42 | 40 | | | |
| SM8050412TP | 16 | 53 | ST4040851SN | 26 | 22 | | | |
| SM8050412TP | 24 | 50 | TA0290301M0 | 52 | 7 | | | |
| SM8050412TP | 26 | 7 | TA0400301M0 | 36 | 8 | | | |
| SM8050412TP | 30 | 20 | TA0500601M0 | 18 | 57 | | | |
| SM8050412TP | 32 | 24 | TA0500601M0 | 20 | 57 | | | |
| SM8050412TP | 36 | 10 | TA0500601M0 | 22 | 4 | | | |
| SM8050412TP | 42 | 26 | TA0600401R0 | 30 | 32 | | | |
| SM8050512TP | 10 | 44 | TA0600401R0 | 36 | 31 | | | |
| SM8050512TP | 18 | 88 | TA0850604R0 | 6 | 1 | | | |
| SM8050512TP | 20 | 88 | TA1050504R0 | 2 | 12 | | | |
| SM8050512TP | 34 | 13 | TA1250406R0 | 2 | 5 | | | |
| SM8050612TP | 36 | 2 | TA1701002R0 | 2 | 6 | | | |
| SM8050642TP | 36 | 11 | TA1900502R0 | 4 | 53 | | | |
| SM8050812TP | 20 | 85 | TA2050406R0 | 2 | 4 | | | |
| SM8050812TP | 36 | 25 | TA2351004R0 | 6 | 3 | | | |
| SM8060412TP | 20 | 65 | WP0280501SC | 26 | 41 | | | |
| SM8060412TP | 22 | 15 | WP0280501SC | 32 | 18 | | | |
| SM8060412TP | 30 | 34 | WP0320500SC | 36 | 28 | | | |
| SM8060552TP | 10 | 48 | WP0320501SC | 26 | 44 | | | |
| SM8060552TP | 12 | 48 | WP0430800SC | 32 | 25 | | | |