

MODEL : AMS-224E/IP-410

List No : 1509-03

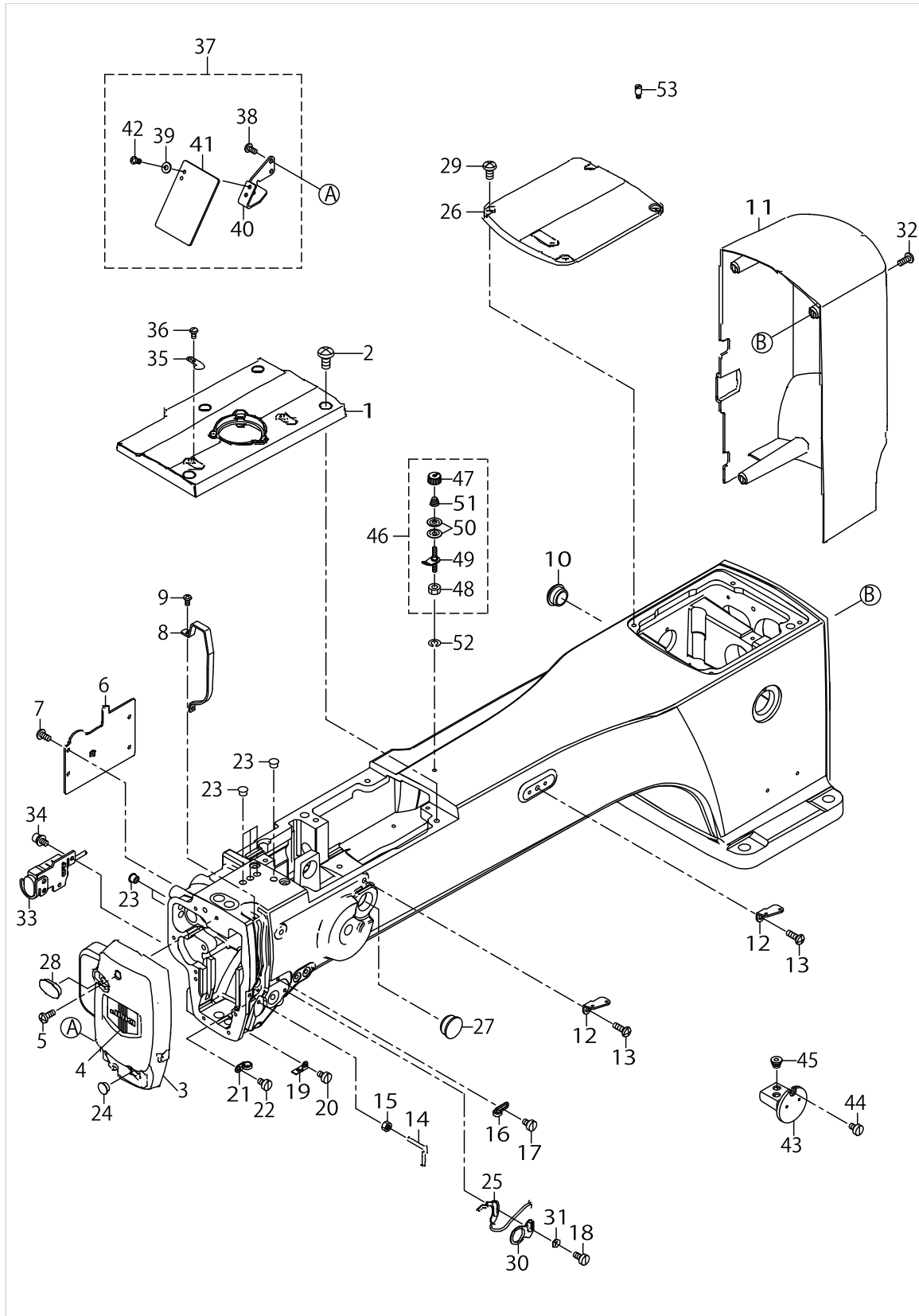
PARTS LIST

Published:09/10/2017

CONTENTS

FRAME & MISCELLANEOUS COVER COMPONENTS (1)	1
FRAME & MISCELLANEOUS COVER COMPONENTS (2)	5
FRAME & MISCELLANEOUS COVER COMPONENTS (3)(FOR 4530).....	7
FRAME & MISCELLANEOUS COVER COMPONENTS (4)(FOR 6030).....	11
MAIN SHAFT & NEEDLE BAR COMPONENTS	15
PRESSER MECHANISM & PRESSER VARIABLE COMPONENTS (1).....	19
PRESSER MECHANISM & PRESSER VARIABLE COMPONENTS (2).....	23
SHUTTLE DRIVER SHAFT COMPONENTS (1).....	27
SHUTTLE DRIVER SHAFT COMPONENTS (2).....	31
WIPER MECHANISM COMPONENTS	35
TENSION RELEASE & THREAD TENSION COMPONENTS.....	37
THREAD TRIMMER MECHANISM COMPONENTS.....	39
THREAD CLAMP COMPONENTS	43
X-Y COMPONENTS (1)(FOR 4530).....	45
X-Y COMPONENTS (2)(FOR 6030).....	51
X-Y COMPONENTS (3).....	57
CLOTH FEED MECHANISM COMPONENTS.....	59
PNEUMATIC COMPONENTS	63
THREAD STAND COMPONENTS.....	65
OPERATION PANEL COMPONENTS	67
CONTROL BOX COMPONENTS	71
WIRING DIAGRAM.....	75
TABLE COMPONENTS.....	79
PEDAL COMPONENTS.....	83
ACCESSORIE PART COMPONENTS	85
TYPE G EXCLUSIVE PARTS	87
SEPARATE STROKE TYPE EXCLUSIVE PARTS	89
LIST FOR INFORMATION OF CHANGE.....	91
HOW TO MAKE USE OF THIS PARTS LIST	92

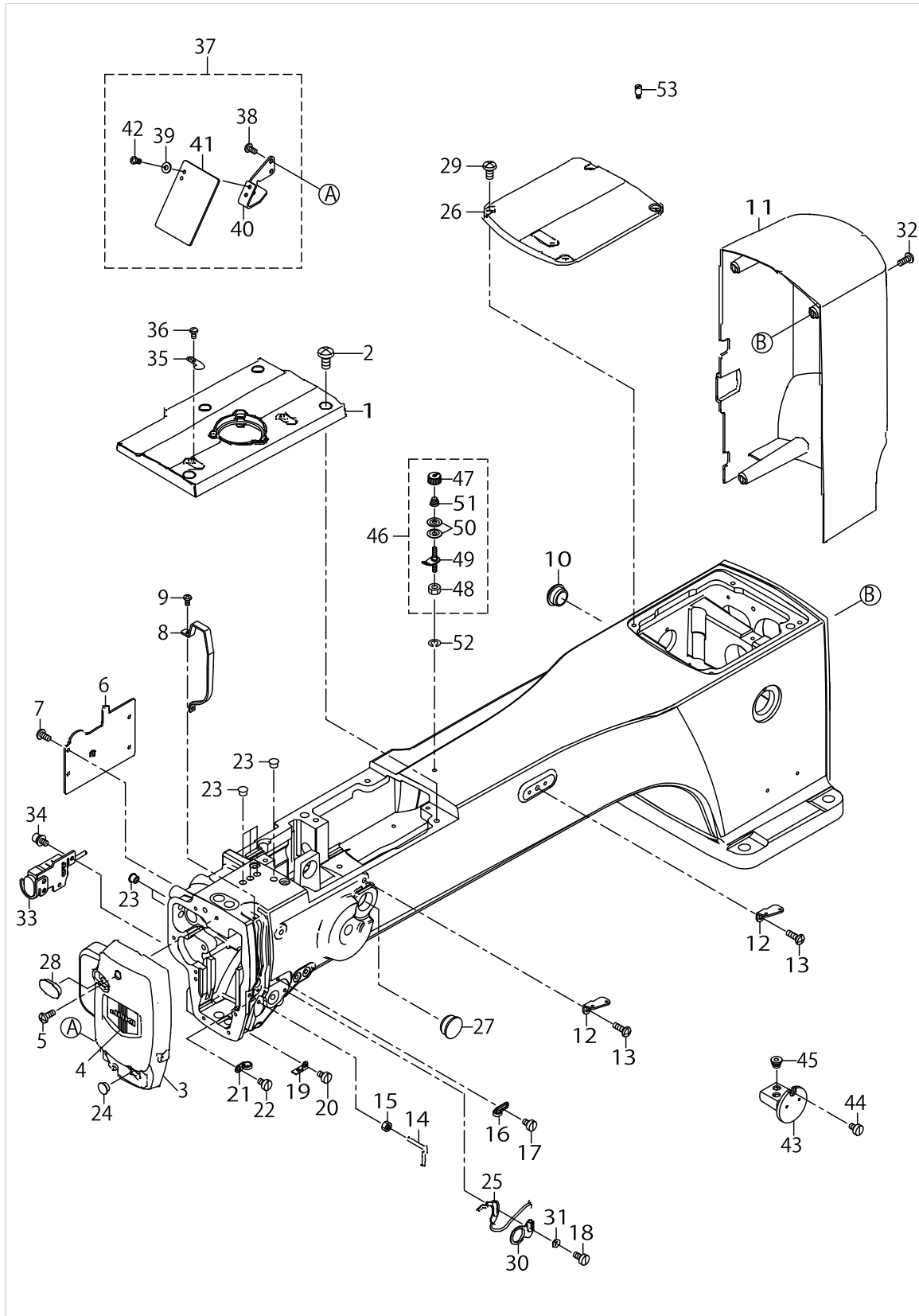
FRAME & MISCELLANEOUS COVER COMPONENTS (1)



FRAME & MISCELLANEOUS COVER COMPONENTS (1)

No.	Parts No.	Parts name	Remarks	Level	Cons	Qty
1	40032158	TOP_COVER_FRONT				1
2	SM4061255SP	SCREW M6 L=12				4
3	40026979	FACE_COVER				1
4	22902506	FACE PLATE				1
5	SM4041055SP	SCREW				2
6	40024999	PRESSER_COVER				1
7	SM4040855SP	SCREW				4
8	40030828	THREAD_TAKE_UP_LEVER_COVER				1
9	SM4030601SN	SCREW M3 X 6				2
10	TA2100904R0	RUBBER PLUG				1
11	40027971	MOTOR_COVER				1
12	26211904	THREAD GUIDE PLATE				2
13	SM4061255SP	SCREW M6 L=12				2
14	40025414	L_SHAPED_THREAD_GUIDE				1
15	NM6040000SN	NUT M4				1
16	22920508	ARM THREAD GUIDE A				1
17	SM6040650TP	SCREW				1
18	SM6040860TP	SCREW M4 L=8				1
19	B1129210000	FRAME THREAD GUIDE (B)				1
20	SM6040650TP	SCREW				1
21	13705108	TAKE-UP THREAD GUIDE B				1
22	SM6040650TP	SCREW				1
23	TA0850604R0	RUBBER PLUG				6
24	TA1050504R0	RUBBER PLUG				1
25	40073678	THB SENSOR CABLE ASM.				1
26	40032159	TOP_COVER_REAR				1
27	TA2351004R0	RUBBER PLUG				1
28	40028877	FACE_COVER_CAP				1
29	SM4051055SP	SCREW				4
30	40028834	GUIDE_PLATE				1
31	40028835	BUSHING				1
32	SM4041055SP	SCREW				4
33	40073676	STOP SW ASM				1
34	SL6040892TN	BOLT				2
35	10502300	THREAD CUTTER				1
36	SM4030601SN	SCREW M3 X 6				1
37	40006484	SAFETY PLATE COMPL.				1
38	SM4040855SP	SCREW		*		2
39	WP0450801SD	WASHER 4.5X10X0.8		*		2
40	40051987	SAFETY PLATE BASE		*		1
41	B3120372000	SAFETY PLATE		*		1
42	SM4040655SP	SCREW M4 L=6		*		2
43	40006836	OIL TANK ASM.				2
44	SM6040650TP	SCREW				2
45	40006840	RUBBER BUSH				4
46	14113468	BOBBIN THREAD TENSION ASM.				1
47	11072402	THREAD TENSION NUT		*		1

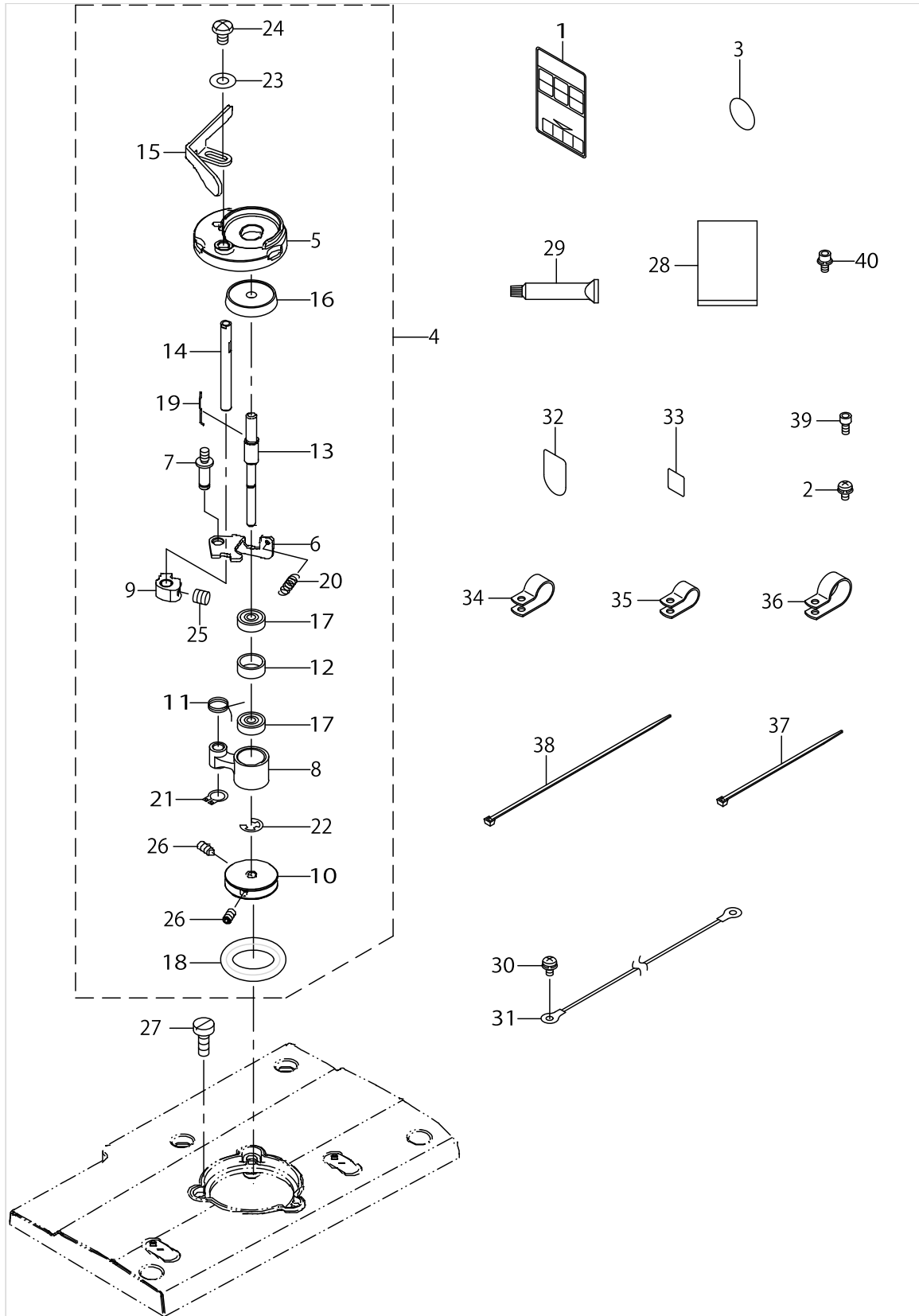
FRAME & MISCELLANEOUS COVER COMPONENTS (1)



FRAME & MISCELLANEOUS COVER COMPONENTS (1)

No.	Parts No.	Parts name	Remarks	Level	Cons	Qty
48	NS6110310SP	NUT 11/64-40		*		1
49	14113450	BOBBIN THREAD TENSION ROD ASM.		*		1
50	B3126012000	THREAD TENSION DISK		*		2
51	D7133555B00	CONNECTING ROD SPRING		*		1
52	WS0451040KP	SPRING WASHER 4.5X8.5X1				1
53	B1114280000	PIN				1

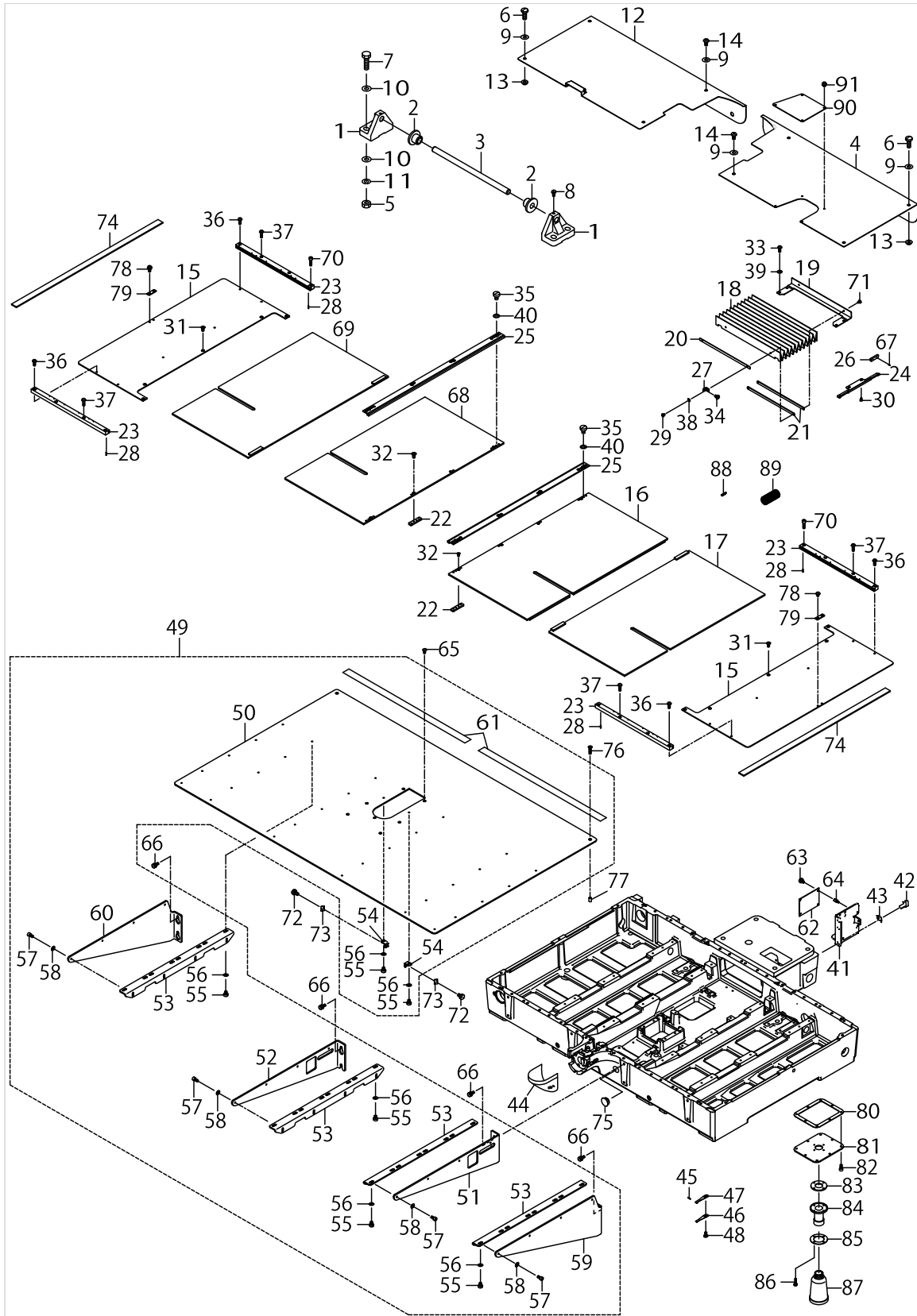
FRAME & MISCELLANEOUS COVER COMPONENTS (2)



FRAME & MISCELLANEOUS COVER COMPONENTS (2)

No.	Parts No.	Parts name	Remarks	Level	Cons	Qty
1	CM301200001	SAFETY LABEL_S				2
2	SL4040891SC	SCREW M4 L=8				12
3	22901805	GROUND MARK				1
4	40028338	BOBBIN_WINDER_UNIT				1
5	26260109	BTW_BASE		*		1
6	26260208	BTW_CAM_PLATE		*		1
7	26260307	BTW_BASE_SHAFT		*		1
8	26260406	BTW_SHAFT_BASE		*		1
9	26260505	BTW_CAM_LEVER		*		1
10	26260604	BTW_WHEEL		*		1
11	26260703	BTW_TORSION_SPRING		*		1
12	26260802	BTW_BEARING_SPACER		*		1
13	40023865	BTW_SHAFT		*		1
14	40023866	BTW_LEVER_SHAFT		*		1
15	40030829	BTW_LEVER		*		1
16	26261206	BTW_SPACER		*		1
17	26261305	BTW_BEARING		*		2
18	26261503	BTW_WHEEL_RUBBER		*	☆	1
19	26261602	BOBBIN_SPRING		*	☆	1
20	26261701	BTW_SPRING		*		1
21	RC0560711KP	RETAINING RING		*		1
22	RE0400000K0	E-RING 4		*		1
23	WP0450826SC	WASHER 4.5X10X0.8		*		1
24	SM5040655SN	SCREW		*		1
25	SM8050502TP	SCREW M5 L=5		*		1
26	SM8040802TP	SCREW M4X8		*		2
27	SM6041150TP	SCREW				3
28	40031336	FLAT_BAG				1
29	40013640	JUKI_GREASE_B_TUBE			☆	1
30	SL4040891SC	SCREW M4 L=8				1
31	14115554	HEAD GROUND CABLE A ASM.				1
32	CM100100001	OIL INJECTION PROHIBITION LABEL				1
33	CM600100101	WEEE MARK LABEL S	FOR JE			1
34	HX00150000F	CABLE CLIP				4
35	HX00150000D	CABLE CLIP				10
36	HX00150000H	CABLE CLIP				3
37	EA9500B0100	CABLE BAND				3
38	EA9500B0200	CABLE BAND 150				5
39	SM6040802TP	SCREW M4X0.7 L=8				5
40	SL6040892TN	BOLT				3

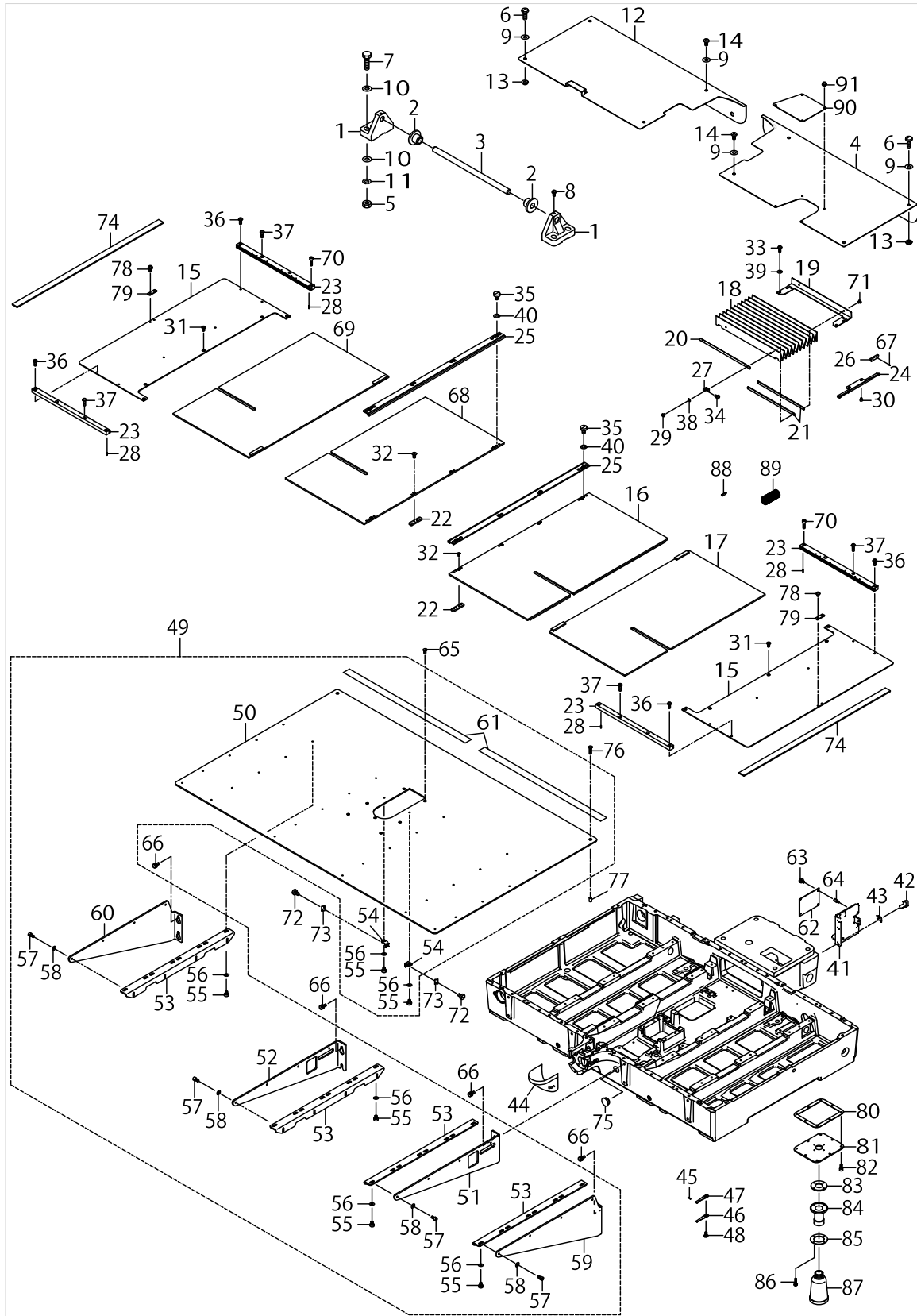
FRAME & MISCELLANEOUS COVER COMPONENTS (3)(FOR 4530)



FRAME & MISCELLANEOUS COVER COMPONENTS (3)(FOR 4530)

No.	Parts No.	Parts name	Remarks	Level	Cons	Qty
1	B111122000A	BED HINGE				2
2	B1115220000	RUBBER PAD A				2
3	B1120223C00	HING SHAFT				1
4	40090785	BED COVER RIGHT A				1
5	NM6120011SF	NUT M12				4
6	SM4055001SF	SCREW M5 L=50				4
7	SM9124503SB	SCREW M12 L=45				4
8	SS9151240SN	SCREW 15/64-28 L=11.5				2
9	WP0561616SC	WASHER 5.6X16X1.6				8
10	WP1302501SE	WASHER M12				8
11	WS1253010KN	SPRING WASHER 12.5X21.5X3				4
12	40072074	BED COVER LEFT				1
13	NM3050610SF	NUT				4
14	SM4051001SN	SCREW M5				4
15	40072076	FEED BASE COVER 4530				2
16	40072191	X_FEED_UPPER_COVER_R_ASM_4530				2
17	40072184	X_FEED_LOWER_COVER_R_ASM_4530				2
18	40072174	FEED COVER				1
19	40072081	FEED COVER STAY				1
20	40072079	FEED COVER FIX PLATE A				1
21	40072080	FEED COVER FIX PLATE B				2
22	40072195	FEED_COVER_RALL_STOPPER_PLATE				8
23	40072143	FEED BASE SUPPORT COVER RALL X				8
24	B1182223C00	RAIL GUIDE				2
25	40072078	FEED BASE SUPPORT COVER RALL Y				2
26	B1193223C00	GUIDE RAIL CLICK				4
27	B1157215000	MOVEMENT COVER PLATE				2
28	PS0250062KH	SPRING PIN 2.5X6				8
29	SM4030401SC	SCREW M3X0.5 L=4				2
30	SM1040870TP	SCREW				4
31	SM1040801SP	SCREW M4X0.7 L=8				10
32	SM1030601SP	SCREW M3 L=6				8
33	SM4041055SP	SCREW				4
34	SM4040655SP	SCREW M4 L=6				2
35	SM6040650TP	SCREW				8
36	SM4041001SC	SCREW M4X0.7 L=10				4
37	SM4041401SC	SCREW M4X0.7 L=14				12
38	WP0330501SB	WASHER M3				2
39	WP0450801SD	WASHER 4.5X10X0.8				4
40	WP0450000SD	WASHER 4.5X8X0.5				8
41	40024997	LIFTER_BASE				1
42	SM6061202TP	SCREW M6 L=12				2
43	WP0641601SC	WASHER				2
44	13816855	CYLINDER ARM CAP				1
45	31262801	PIN				1
46	26221200	HOOK COVER PRESSER SPRING B				1
47	26221101	HOOK COVER PRESSER SPRING A				1

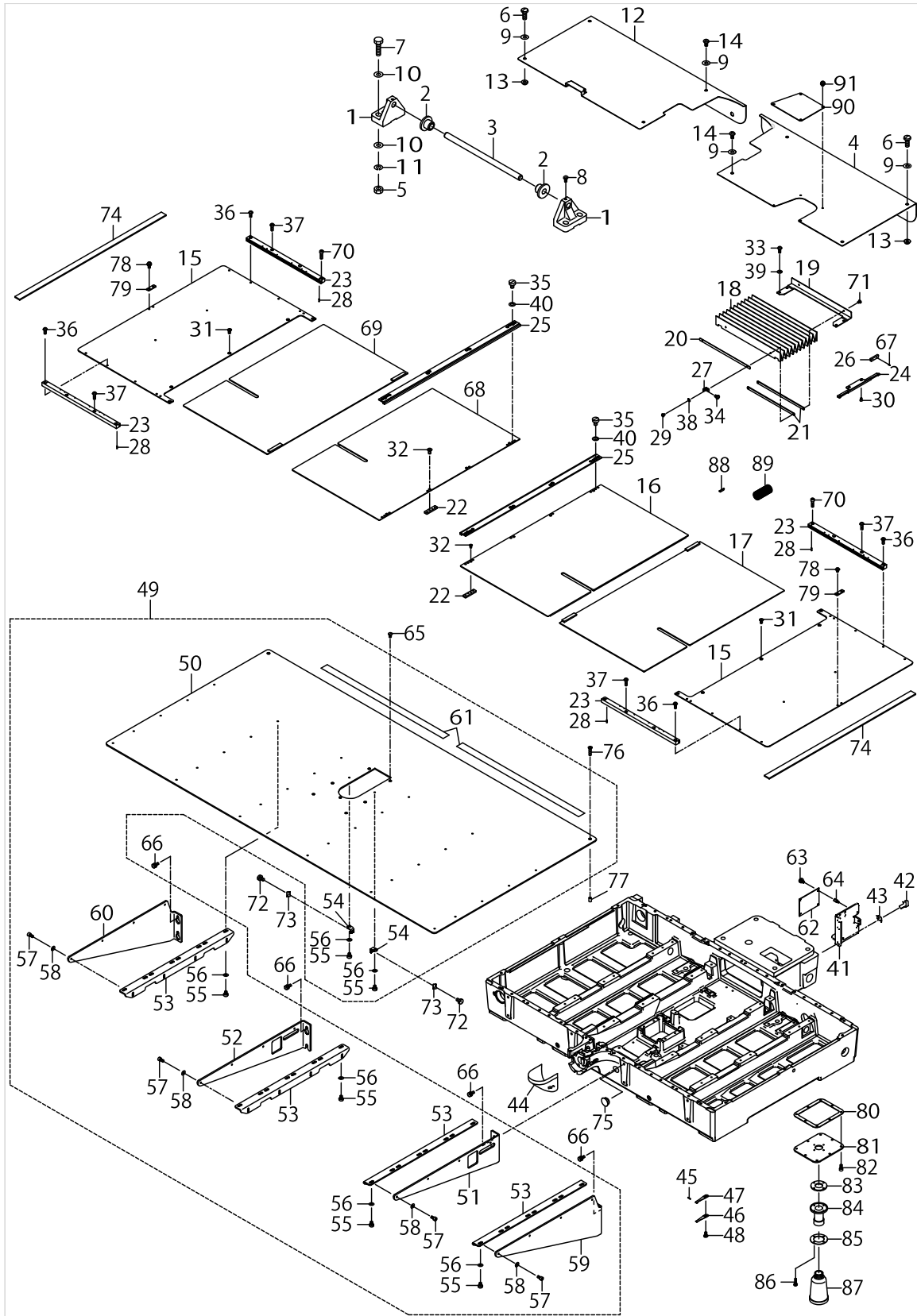
FRAME & MISCELLANEOUS COVER COMPONENTS (3)(FOR 4530)



FRAME & MISCELLANEOUS COVER COMPONENTS (3)(FOR 4530)

No.	Parts No.	Parts name	Remarks	Level	Cons	Qty
48	SL4041091SC	SCREW M4 L=10				1
49	40072244	NEEDLE PLATE SUPPORT COVER ASM				1
50	40101763	SUS_NEEDLE_SUPPORT_PLATE_4530		*		1
51	40072176	COVER_SUPPORT_A_RIGHT		*		2
52	40072175	COVER_SUPPORT_A_LEFT		*		2
53	40072179	COVER_SUPPORT_BRACKET		*		6
54	40025014	COVER_SUPPORT_B		*		2
55	SM6450610TP	SCREW		*		32
56	WP0450801SP	WASHER		*		32
57	SM6040802TP	SCREW M4X0.7 L=8		*		24
58	WP0450801SP	WASHER		*		24
59	40072178	COVER_SUPPORT_B_RIGHT		*		1
60	40072177	COVER_SUPPORT_B_LEFT		*		1
61	40051501	TAPE		*		2
62	40040230	INT PCB ASM				1
63	SL4040891SC	SCREW M4 L=8				4
64	HX003390000	STUD				4
65	SM1040870TP	SCREW				2
66	SL9061600SF	SCREW				12
67	PS0150065KP	SPRING PIN 1.5X6				8
68	40072193	X_FEED_UPPER_COVER_L_ASM_4530				1
69	40072186	X_FEED_LOWER_COVER_L_ASM_4530				1
70	SM6041402TN	SCREW M4X0.7 L=14				2
71	SM7030450SC	SCREW M3X0.5 L=4				2
72	SM6050802TP	SCREW M5X0.8 L=8				2
73	WP0520656SA	WASHER 5.2X9.5X0.6				2
74	G611387500A	CLOTH PRESSER SPONGE A				1
75	TA2100904R0	RUBBER PLUG				1
76	SM1041601SC	SCREW M4X0.7 L=16				2
77	12209706	COLLAR				2
78	SL4041091SC	SCREW M4 L=10				4
79	40072214	FEED COVER STOPPER				2
80	40072213	OIL_PAN_GASKET				1
81	40072212	OIL_PAN				1
82	SM6040802TP	SCREW M4X0.7 L=8				8
83	B8112220000	OIL SEAL				1
84	B8202205000	OIL MANAGEMENT				1
85	B8111220000	WASHER				1
86	SL4031481SC	SCREW M3 X 14				4
87	B9121012000	OIL CAN				1
88	40082017	X_FEED_LOWER_COVER_STOPPER_G				4
89	HX00307000D	CABLE PARTS				0.05
90	40090432	BED COVER RIGHT B				1
91	SL4040691SC	SCREW M4 L=6				4

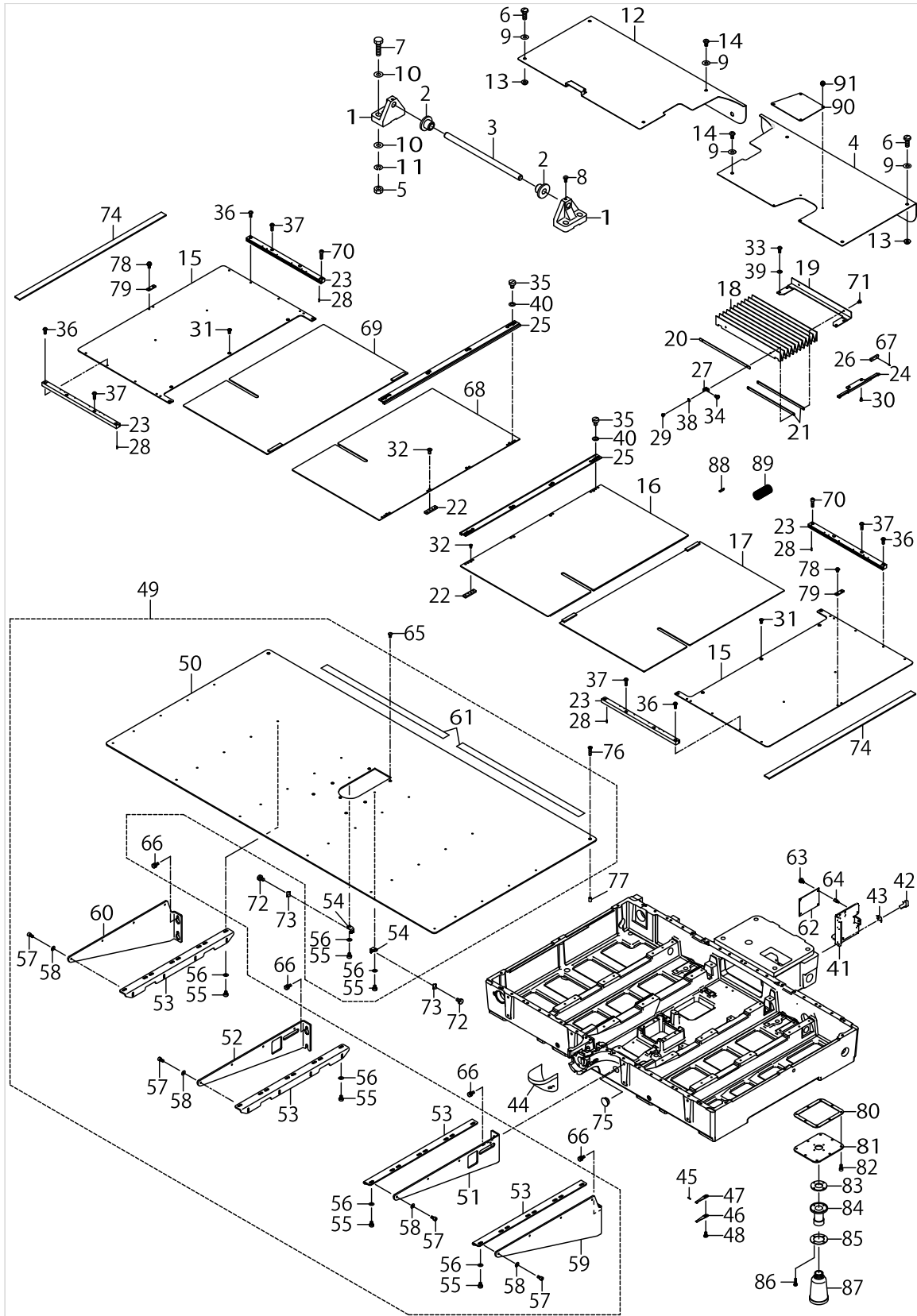
FRAME & MISCELLANEOUS COVER COMPONENTS (4)(FOR 6030)



FRAME & MISCELLANEOUS COVER COMPONENTS (4)(FOR 6030)

No.	Parts No.	Parts name	Remarks	Level	Cons	Qty
1	B111122000A	BED HINGE				2
2	B1115220000	RUBBER PAD A				2
3	B1120223C00	HING SHAFT				1
4	40090785	BED COVER RIGHT A				1
5	NM6120011SF	NUT M12				4
6	SM4055001SF	SCREW M5 L=50				4
7	SM9124503SB	SCREW M12 L=45				4
8	SS9151240SN	SCREW 15/64-28 L=11.5				2
9	WP0561616SC	WASHER 5.6X16X1.6				8
10	WP1302501SE	WASHER M12				8
11	WS1253010KN	SPRING WASHER 12.5X21.5X3				4
12	40072074	BED COVER LEFT				1
13	NM3050610SF	NUT				4
14	SM4051001SN	SCREW M5				4
15	40072075	FEED BASE COVER 6030				2
16	40072187	X_FEED_UPPER_COVER_R_ASM_6030				2
17	40072180	X_FEED_LOWER_COVER_R_ASM_6030				2
18	40072174	FEED COVER				1
19	40072081	FEED COVER STAY				1
20	40072079	FEED COVER FIX PLATE A				1
21	40072080	FEED COVER FIX PLATE B				2
22	40072195	FEED_COVER_RALL_STOPPER_PLATE				8
23	40072143	FEED BASE SUPPORT COVER RALL X				10
24	B1182223C00	RAIL GUIDE				2
25	40072078	FEED BASE SUPPORT COVER RALL Y				2
26	B1193223C00	GUIDE RAIL CLICK				4
27	B1157215000	MOVEMENT COVER PLATE				2
28	PS0250062KH	SPRING PIN 2.5X6				8
29	SM4030401SC	SCREW M3X0.5 L=4				2
30	SM1040870TP	SCREW				4
31	SM1040801SP	SCREW M4X0.7 L=8				10
32	SM1030601SP	SCREW M3 L=6				8
33	SM4041055SP	SCREW				4
34	SM4040655SP	SCREW M4 L=6				2
35	SM6040650TP	SCREW				8
36	SM4041001SC	SCREW M4X0.7 L=10				4
37	SM4041401SC	SCREW M4X0.7 L=14				12
38	WP0330501SB	WASHER M3				2
39	WP0450801SD	WASHER 4.5X10X0.8				4
40	WP0450000SD	WASHER 4.5X8X0.5				8
41	40024997	LIFTER_BASE				1
42	SM6061202TP	SCREW M6 L=12				2
43	WP0641601SC	WASHER				2
44	13816855	CYLINDER ARM CAP				1
45	31262801	PIN				1
46	26221200	HOOK COVER PRESSER SPRING B				1
47	26221101	HOOK COVER PRESSER SPRING A				1

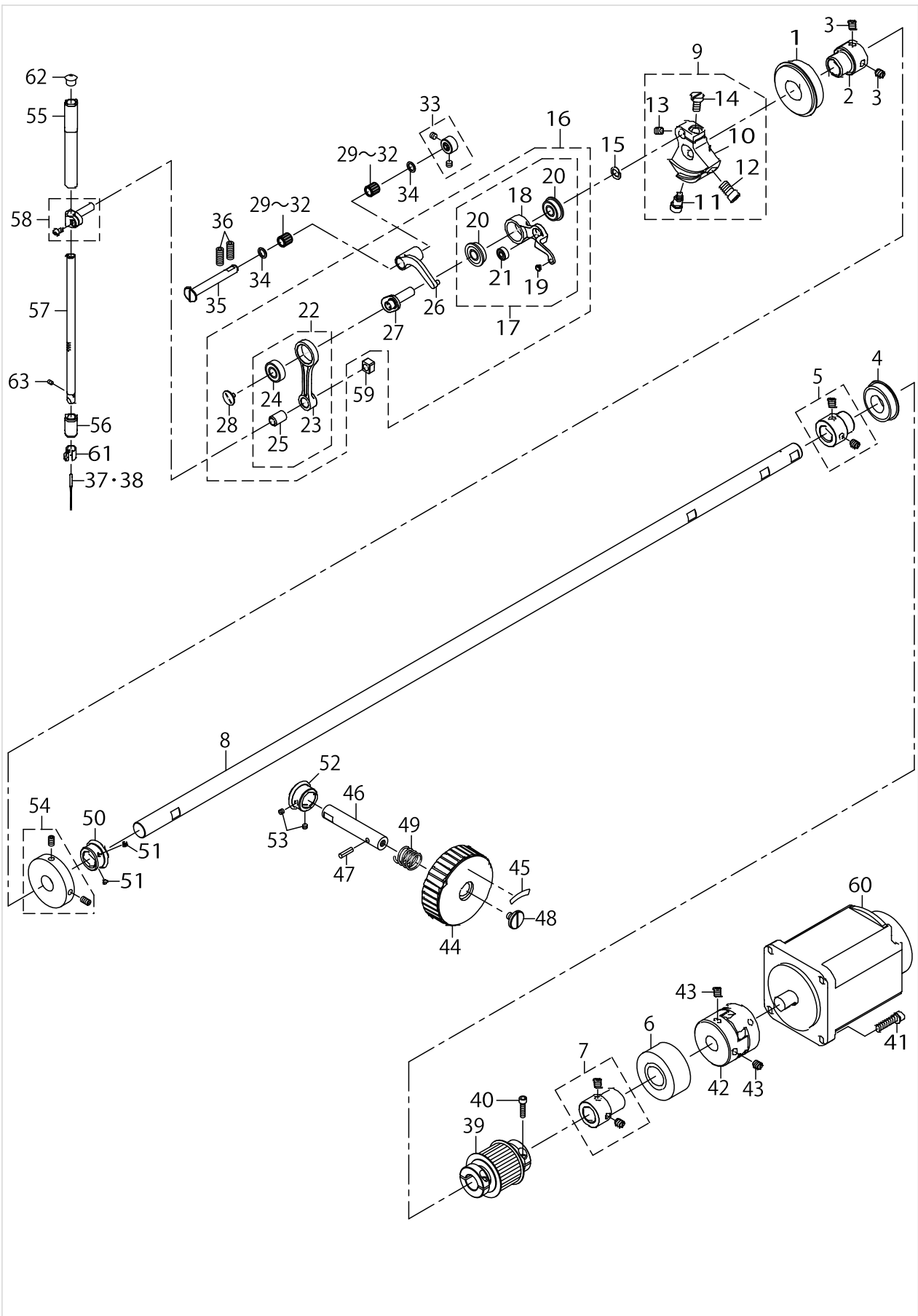
FRAME & MISCELLANEOUS COVER COMPONENTS (4)(FOR 6030)



FRAME & MISCELLANEOUS COVER COMPONENTS (4)(FOR 6030)

No.	Parts No.	Parts name	Remarks	Level	Cons	Qty
48	SL4041091SC	SCREW M4 L=10				1
49	40072245	NEEDLE PLATE SUPPORT COVER ASM				1
50	40101764	SUS_NEEDLE_SUPPORT_PLATE_6030		*		1
51	40072176	COVER_SUPPORT_A_RIGHT		*		2
52	40072175	COVER_SUPPORT_A_LEFT		*		2
53	40072179	COVER_SUPPORT_BRACKET		*		6
54	40025014	COVER_SUPPORT_B		*		2
55	SM6450610TP	SCREW		*		32
56	WP0450801SP	WASHER		*		32
57	SM6040802TP	SCREW M4X0.7 L=8		*		24
58	WP0450801SP	WASHER		*		24
59	40072178	COVER_SUPPORT_B_RIGHT		*		1
60	40072177	COVER_SUPPORT_B_LEFT		*		1
61	40051501	TAPE		*		2
62	40040230	INT PCB ASM				1
63	SL4040891SC	SCREW M4 L=8				4
64	HX003390000	STUD				4
65	SM1040870TP	SCREW				2
66	SL9061600SF	SCREW				12
67	PS0150065KP	SPRING PIN 1.5X6				8
68	40072189	X_FEED_UPPER_COVER_L_ASM_6030				1
69	40072183	X_FEED_LOWER_COVER_L_ASM_6030				1
70	SM6041402TN	SCREW M4X0.7 L=14				2
71	SM7030450SC	SCREW M3X0.5 L=4				2
72	SM6050802TP	SCREW M5X0.8 L=8				2
73	WP0520656SA	WASHER 5.2X9.5X0.6				2
74	G611387500A	CLOTH PRESSER SPONGE A				1
75	TA2100904R0	RUBBER PLUG				1
76	SM1041801SN	SCREW M4X0.7 L=18				2
77	12209706	COLLAR				2
78	SL4041091SC	SCREW M4 L=10				4
79	40072214	FEED COVER STOPPER				2
80	40072213	OIL_PAN_GASKET				1
81	40072212	OIL_PAN				1
82	SM6040802TP	SCREW M4X0.7 L=8				8
83	B8112220000	OIL SEAL				1
84	B8202205000	OIL MANAGEMENT				1
85	B8111220000	WASHER				1
86	SL4031481SC	SCREW M3 X 14				4
87	B9121012000	OIL CAN				1
88	40082017	X_FEED_LOWER_COVER_STOPPER_G				4
89	HX00307000D	CABLE PARTS				0.05
90	40090432	BED COVER RIGHT B				1
91	SL4040691SC	SCREW M4 L=6				4

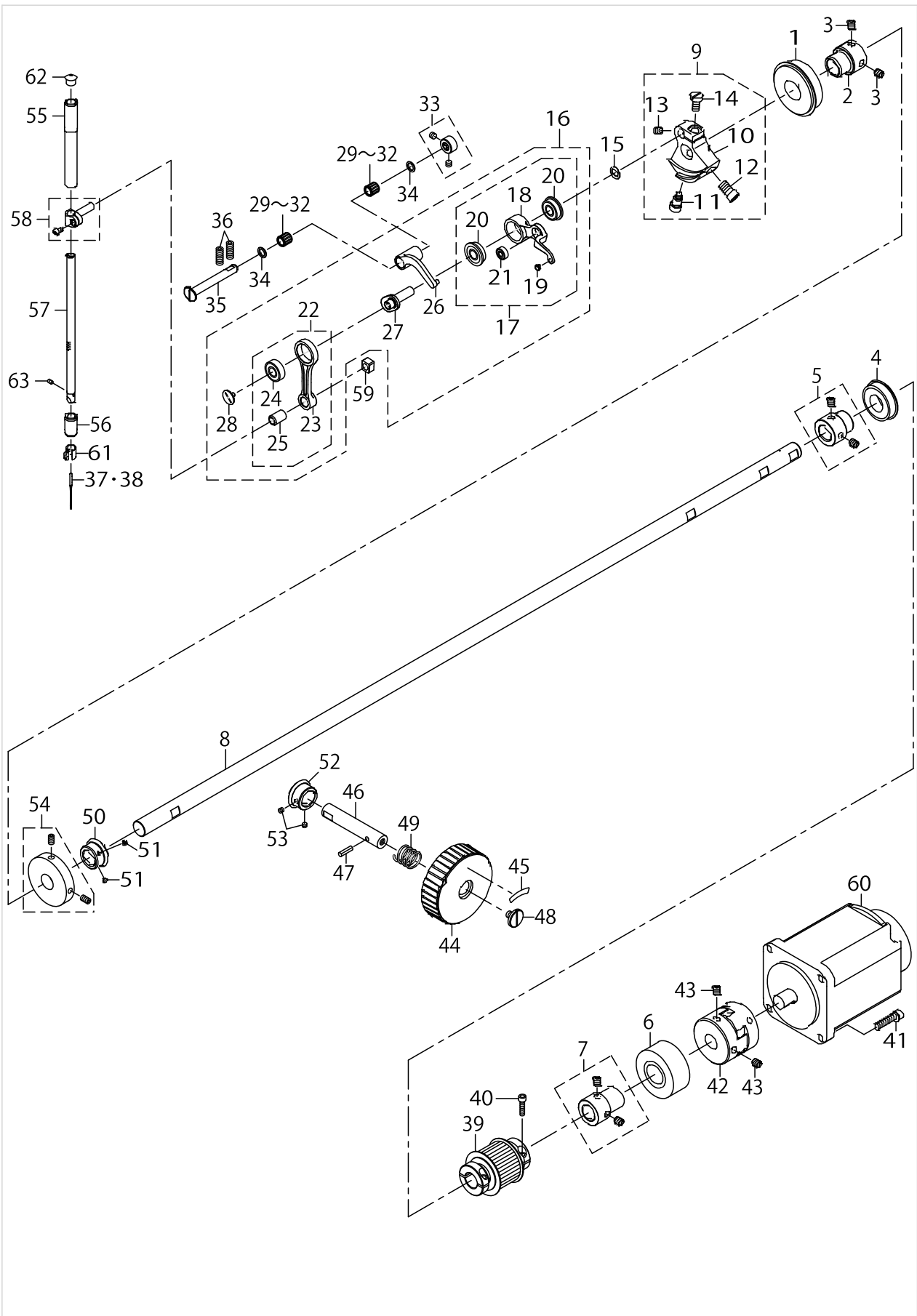
MAIN SHAFT & NEEDLE BAR COMPONENTS



MAIN SHAFT & NEEDLE BAR COMPONENTS

No.	Parts No.	Parts name	Remarks	Level	Cons	Qty
1	SB12000900	BEARING				1
2	23604200	MAIN SHAFT BEARING SUPPORT				1
3	SM8060812TP	SCREW M6 L=8				2
4	SB120001800	BEARING				1
5	40010415	BEARING_BUSH_A_ASM.				1
6	SB120001700	BEARING				1
7	40010418	BEARING_BUSH_B_ASM.				1
8	40072086	MAIN SHAFT				1
9	40010422	COUNTER_WEIGHT_ASM.				1
10	40010423	COUNTER_WEIGHT		*		1
11	40010424	COUNTER_WEIGHT_SCREW_A		*		1
12	40010425	COUNTER_WEIGHT_SCREW_B		*		1
13	40010426	COUNTER_WEIGHT_SCREW_C		*		1
14	40010427	COUNTER_WEIGHT_SCREW_D		*		1
15	WP0820516SP	WASHER 11.6X8.2X0.6				1
16	40006529	THREAD_TAKE_UP_COMPL.				1
17	40006530	THREAD_TAKE_UP_LEVER_ASM.		*		1
18	40006531	THREAD_TAKE_UP_LEVER		*		1
19	B1908505000	THREAD PASS BUSH		*		1
20	SB108002200	BEARING		*		2
21	SB104001600	BEARING		*		1
22	40006534	NEEDLE_BAR_CRANK_ROD_ASM.		*		1
23	40006535	NEEDLE_BAR_CRANK_ROD		*		1
24	SB108002300	BEARING		*		1
25	22891006	NEEDLE BAR CRANK ROD BUSH		*		1
26	40006532	THREAD_TAKE_UP_CRANK		*		1
27	40006537	NEEDLE_ROD_CRANK		*		1
28	B1903552000	LEFT SCREW		*		1
29	SB30700020A	BEARING	SELECTIVE PARTS			2
30	SB30700020B	BEARING	SELECTIVE PARTS			2
31	SB30700020C	BEARING	SELECTIVE PARTS			2
32	SB30700020D	BEARING	SELECTIVE PARTS			2
33	40010434	THRUST_COLLAR_ASM.				1
34	22891204	BEARING SUPPORT				2
35	40011902	THREAD_TAKE_UP_CRANK_SHAFT				1
36	SM8061612TP	SCREW M6X16				2
37	MDP170B1800	NEEDLE DPX17 #18	TYPE H(FOR ST)		☆	1
38	MC372001100	NEEDLE 135X17 #110	TYPE H(FOR JE)		☆	1
39	40072233	SPROCKET_ASM				1
40	SM6041602TP	SCREW M4X0.7 L=16				4
41	SL6052592TN	BOLT				4
42	23604309	COUPLING				1
43	SM8060812TP	SCREW M6 L=8				4
44	B1212210D00	PULLEY				1
45	B1144210000	REVOLVING DIRECTION LABEL				1
46	40044053	PULLEY SHAFT				1
47	PS0400142KH	SPRING PIN 4X14				1

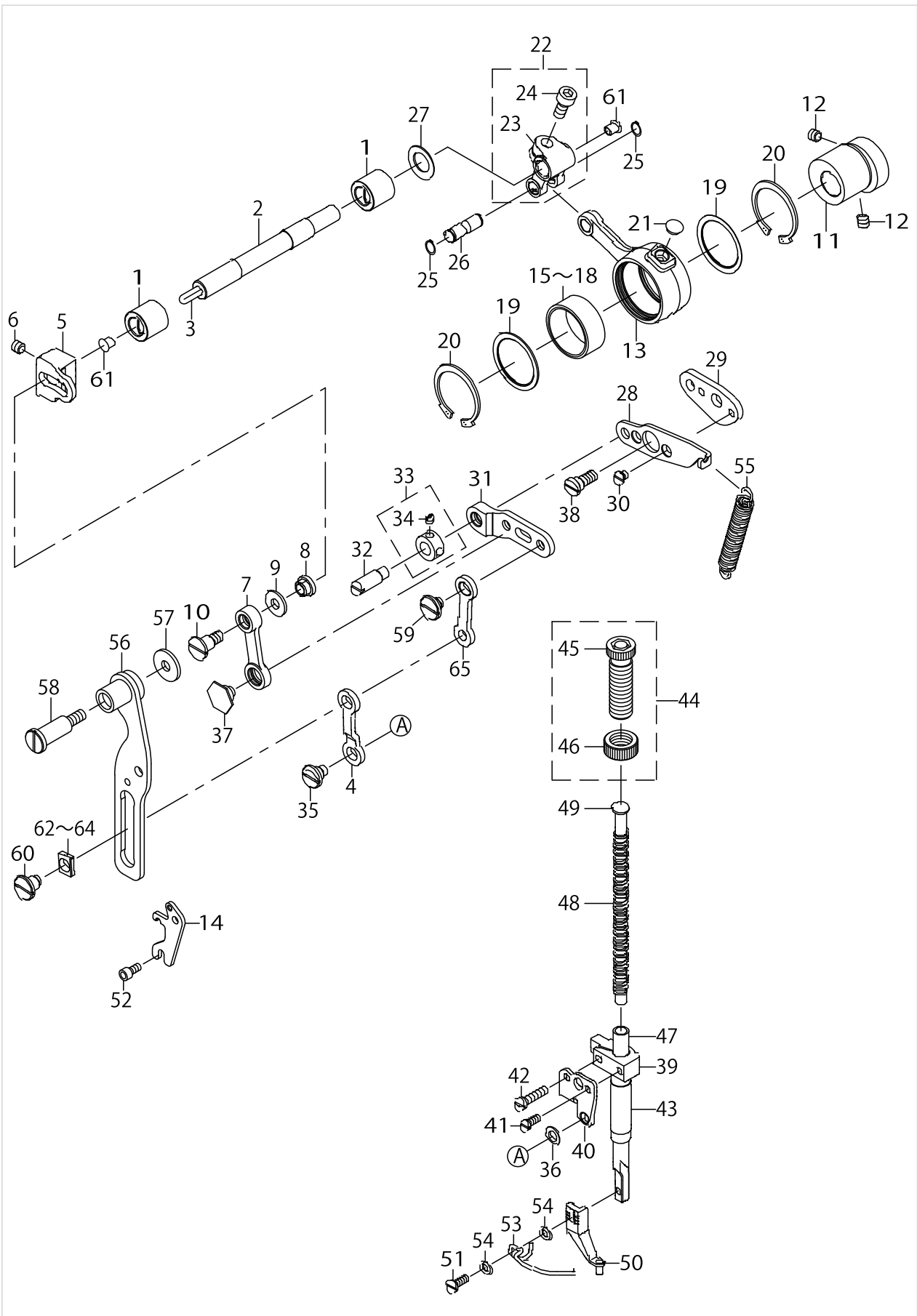
MAIN SHAFT & NEEDLE BAR COMPONENTS



MAIN SHAFT & NEEDLE BAR COMPONENTS

No.	Parts No.	Parts name	Remarks	Level	Cons	Qty
48	A1230500000A	HANDWHEEL SETSCREW				1
49	GAF01007000	SPRING				1
50	40006515	GEAR_A				1
51	SM8040310SS	SCREW M4 L=3				2
52	40006516	GEAR_B				1
53	SM8040310SS	SCREW M4 L=3				2
54	40010533	BTW_DRIVING_WHEEL_ASM.				1
55	40010441	NEEDLE_ROD_METAL				1
56	40010442	NEEDLE_ROD_LOWER_METAL				1
57	40026882	NEEDLE_BAR				1
58	B14115520A0	NEEDLE BAR CONNECTING ASM.				1
59	B1414555000	SLIDE BLOCK				1
60	40052937	550W_SERVO_MOTOR				1
61	40026884	NEEDLE_BAR_SHREAD_GUIDE_H	TYPE H			1
62	22901409	NEEDLE BAR UPPER BUSH CAP				1
63	SM8030412TP	SCREW				1

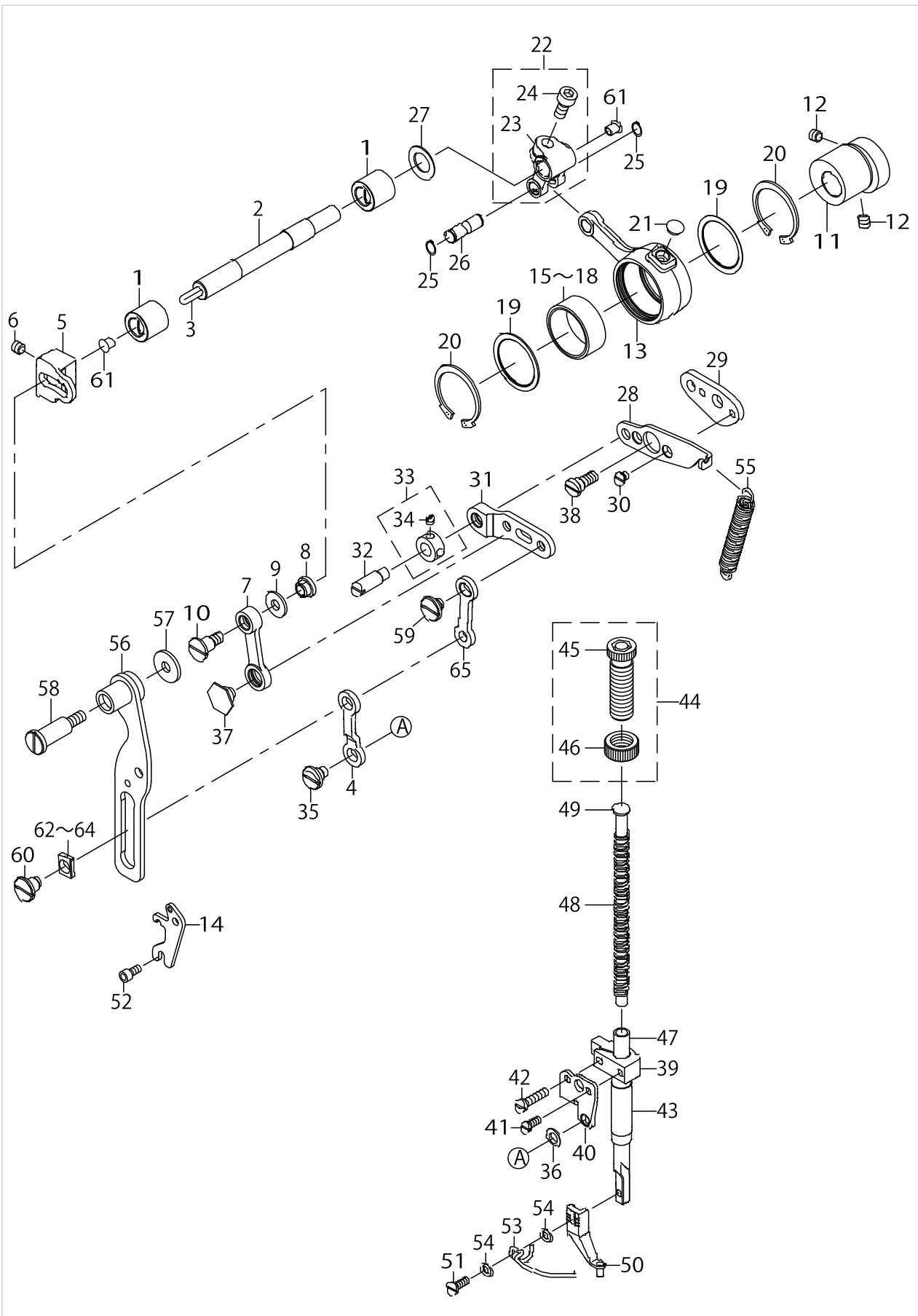
PRESSER MECHANISM & PRESSER VARIABLE COMPONENTS (1)



PRESSER MECHANISM & PRESSER VARIABLE COMPONENTS (1)

No.	Parts No.	Parts name	Remarks	Level	Cons	Qty
1	40025431	BUSHING				2
2	40025427	INTERMEDIATE_PRESSER_SHAFT				1
3	CQ303000000	OIL WICK				0.18
4	40030617	INTERMEDIATE_PRESSER_LINK_D				1
5	40025012	ADJUSTING_ARM				1
6	SM8060812TP	SCREW M6 L=8				1
7	40068835	INTERMEDIATE_PRESSURE_LINK				1
8	40025415	ADJUSTING_NUT				1
9	WP0611626SP	WASHER 15X6X1.6				1
10	SD0800746TP	SHOULDER SCREW				1
11	40025428	ECCENTRIC_CAM				1
12	SM8060812TP	SCREW M6 L=8				2
13	40025011	CRANK_CONNECTING_ROD				1
14	40068833	POSITIONING_LINK_SPRING_HOOK				1
15	B1636581A00	NEEDLE BEARING	SELECTIVE PARTS			1
16	B1636581B00	NEEDLE BEARING B	SELECTIVE PARTS			1
17	B1636581C00	NEEDLE BEARING	SELECTIVE PARTS			1
18	B1636581D00	NEEDLE BEARING	SELECTIVE PARTS			1
19	40012965	BEARING_SUPPORT_PLATE				2
20	RC3781518KP	RETAINING RING				2
21	TA0750404R0	PLUG D=7.5 L=3.5				1
22	13122452	FEED BRANCH CRANK ASM.				1
23	13122403	FEED BRANCH CRANK		*		1
24	SM6061402TP	SCREW M6 L=14		*		1
25	RC0650811KP	RETAINING RING				2
26	40025429	ROD_CONNECTING_SHAFT				1
27	WP1221016SP	WASHER				1
28	40068834	POSITIONING_LINK				1
29	40024988	POSITIONING_LINK_B				1
30	SS1110640TP	SCREW 11/64-40 L= 5.5				2
31	40030620	INTERMEDIATE_PRESSER_LINK_B				1
32	B1408180000	HINGE SCREW				1
33	CS079073ASH	THRUST COLLAR ASM.				1
34	SS8110410TP	SCREW 11/64-40 L= 3.5		*		2
35	SD0800386TP	SHOULDER SCREW D=8 H=3.75				1
36	40029419	LINK_CONNECTING_PLATE_WASHER				1
37	SD1000506TP	SHOULDER SCREW D=10 H=4.95				1
38	SD0800408TP	SHOULDER SCREW				1
39	23610108	PRESSER BAR GUIDE BRACKET				1
40	40024991	LINK_CONNECTING_PLATE				1
41	SS6090910SP	SCREW 9/64-40 L=9				1
42	SS7111810TP	SCREW 11/64-40 L=18				1
43	40032798	PRESSER_BUSHING				1
44	22907554	PRESSER SPRING REG NUT ASM.				1
45	22907505	PRESSER SPRING REGULATOR		*		1
46	22907604	PRESSER SPRING REGULATOR NUT		*		1
47	40030623	INTERMEDIATE_PRESSER_BAR				1

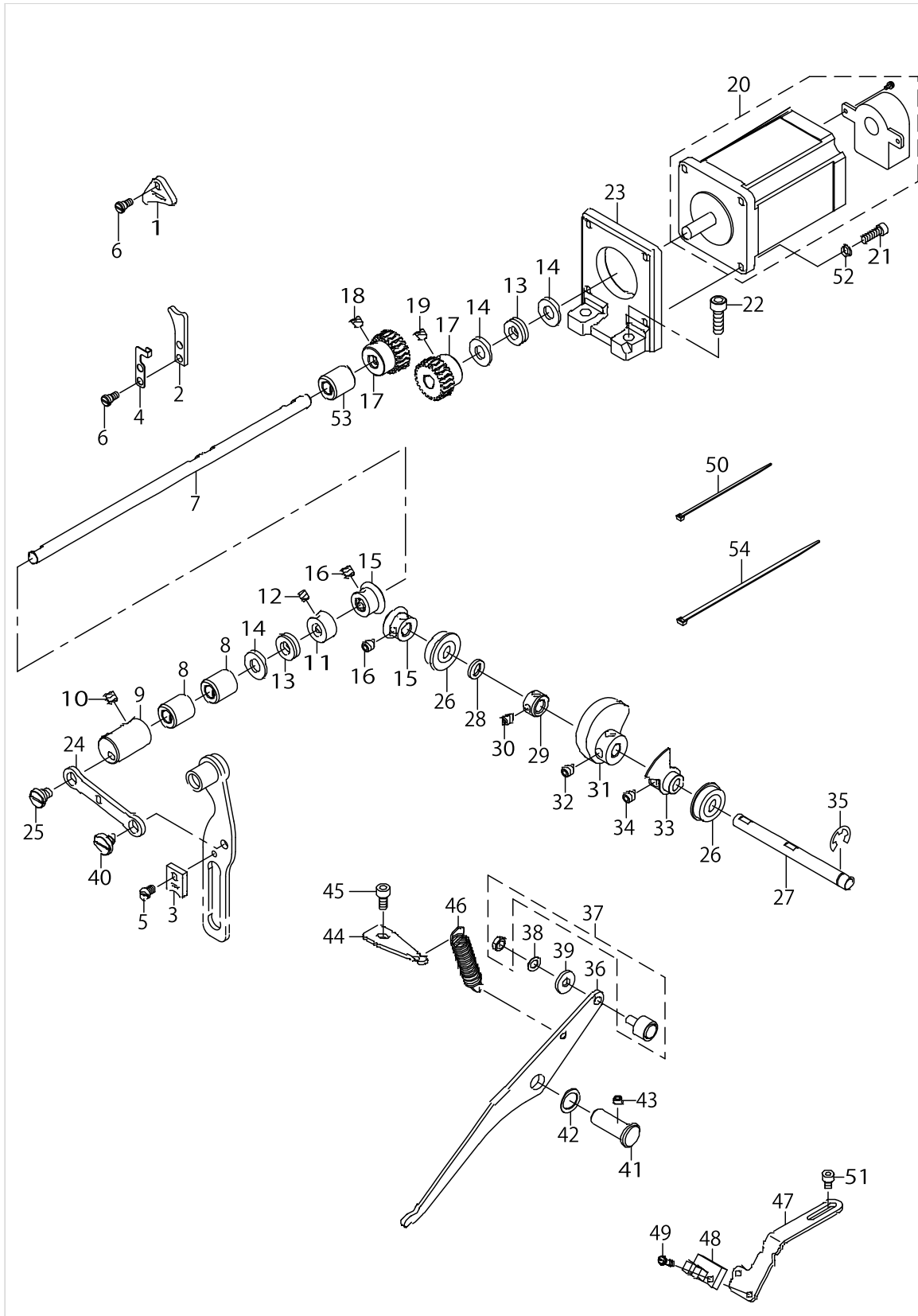
PRESSER MECHANISM & PRESSER VARIABLE COMPONENTS (1)



PRESSER MECHANISM & PRESSER VARIABLE COMPONENTS (1)

No.	Parts No.	Parts name	Remarks	Level	Cons	Qty
48	B161121000A	INNER PRESSER SPRING				1
49	40023631	PRESSER GUIDE BAR				1
50	40023632	INTERMEDIATE PRESSER A			☆	1
51	SM7751160TP	SCREW				1
52	SM6040802TP	SCREW M4X0.7 L=8				2
53	B1634210D00	FINGER GUARD				1
54	WP0430800SC	WASHER M4				2
55	40030621	INTERMEDIATE_PRESSER_SPRING B				1
56	40068829	PRESSURE_VARIABLE_PLATE_ASM.				1
57	40068832	WASHER				1
58	SD1002206TP	SHOULDER SCREW D=10 H=22				1
59	SD0800336TP	SHOULDER SCREW				1
60	SD0800656TP	SHOULDER SCREW				1
61	TA0550604R0	RUBBER PLUG				2
62	40030628	SLIDE_BLOCK_A	SELECTIVE PARTS			1
63	40030629	SLIDE_BLOCK_B	SELECTIVE PARTS			1
64	40030630	SLIDE_BLOCK_C	SELECTIVE PARTS			1
65	40030616	INTERMEDIATE_PRESSER_LINK_C				1

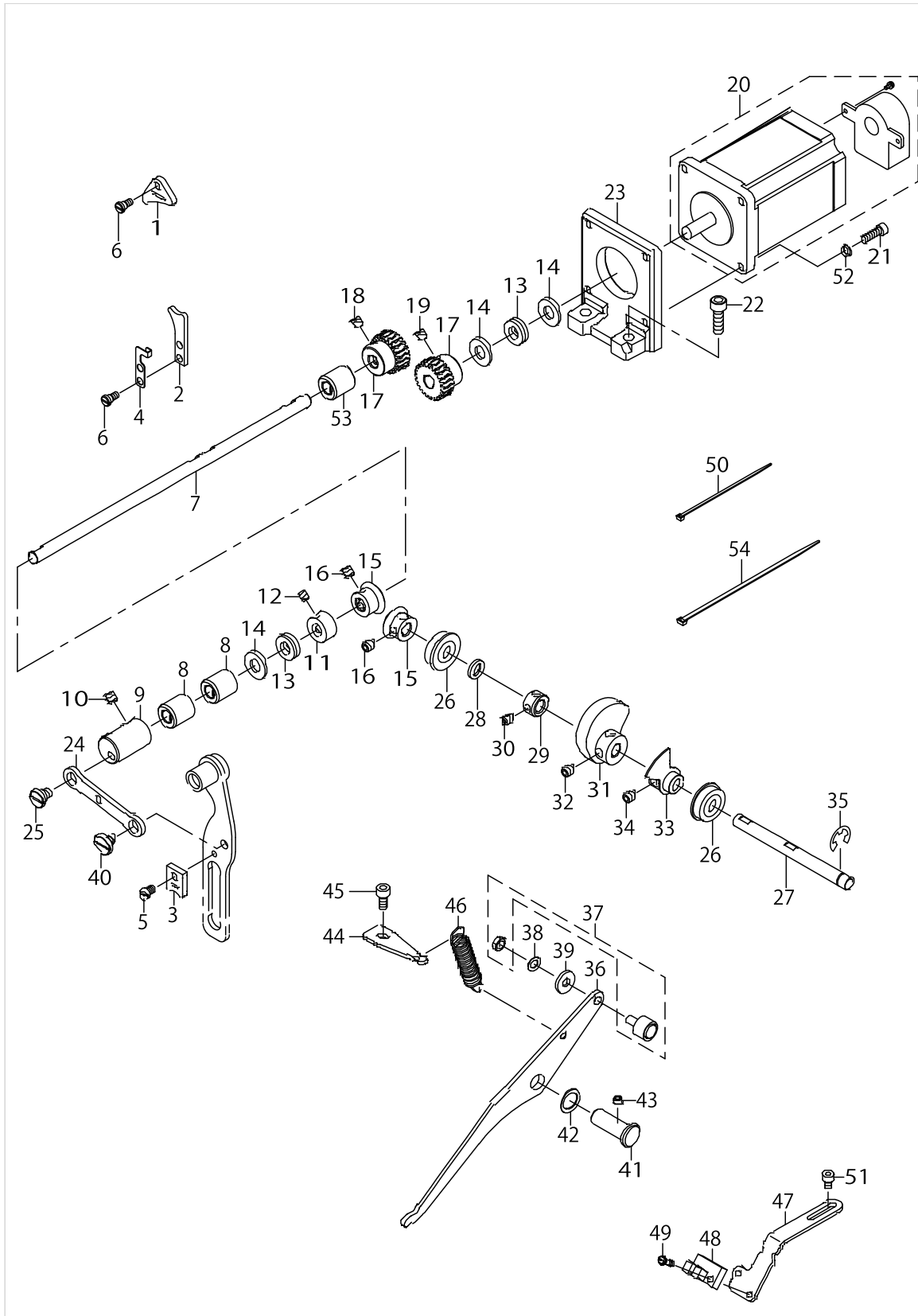
PRESSER MECHANISM & PRESSER VARIABLE COMPONENTS (2)



PRESSER MECHANISM & PRESSER VARIABLE COMPONENTS (2)

No.	Parts No.	Parts name	Remarks	Level	Cons	Qty
1	40030625	FACE_FELT_A				1
2	40030626	FACE_FELT_B				1
3	40030627	FACE_FELT_C				1
4	40026817	FACE_FELT_B_SUPPORT				1
5	40029420	FELT_SCREW_C				1
6	40032483	FELT_SCREW_AB				3
7	40032179	PRESSER_VARIABLE_SHAFT				1
8	40025423	BUSHING B				2
9	40026819	PRESSER_VARIABLE_ARM				1
10	SM8480652TP	SCREW				2
11	CS0800881TP	THRUST COLLAR				1
12	SM8050412TP	SCREW M5 L=4				2
13	SB408000100	BEARING				2
14	WP0850002SP	WASHER 8.5X18X1.6				3
15	40030615	PRESSER_LIFT_GEAR				2
16	SM8060812TP	SCREW M6 L=8				4
17	40032180	PRESSER_MOTOR_GEAR_A				2
18	SM8060812TP	SCREW M6 L=8				2
19	SM8060602TP	SCREW M6X6				2
20	40103969	ENCODER MOTOR ASM.(IP)				1
21	SM6041402TP	SCREW M4 L=14				4
22	SM6061802TP	SCREW M6 L=18				2
23	40032181	PRESSER_MOTOR_BRACKET				1
24	40024989	PRESSER_VARIABLE_LINK				1
25	SD0800337TP	SHOULDER SCREW				1
26	SB108000500	RADIAL BEARING				2
27	40025426	PRESSER_LIFT_SHAFT				1
28	WZ0850302K0	WAVED WASHER 8.5X12.5X0.3				1
29	CS0800881TP	THRUST COLLAR				1
30	SM8050412TP	SCREW M5 L=4				2
31	40025016	LIFTING_CAM				1
32	SM8060812TP	SCREW M6 L=8				2
33	40025418	SENSOR_SLIT_ASM				1
34	SM8060812TP	SCREW M6 L=8				2
35	RE0700000K0	E-RING 7				1
36	40025030	LIFTING_LINK				1
37	40027870	CAM FOLLOWER				1
38	WP0520656SA	WASHER 5.2X9.5X0.6				1
39	WP0522016SH	WASHER				1
40	SD0800387TP	SHOULDER SCREW D=8 H=3.75				1
41	B1641562000	FEED REGULATING ARM SHAFT				1
42	26226001	WASHER				1
43	SM8050412TP	SCREW M5 L=4				1
44	40025420	LIFTER_LINK_SPRING_HOOK				1
45	SM6050802TP	SCREW M5X0.8 L=8				1
46	40003970	TENSION RELEASE RETURN				1
47	40025419	SENSOR_INSTALLING_BASE				1

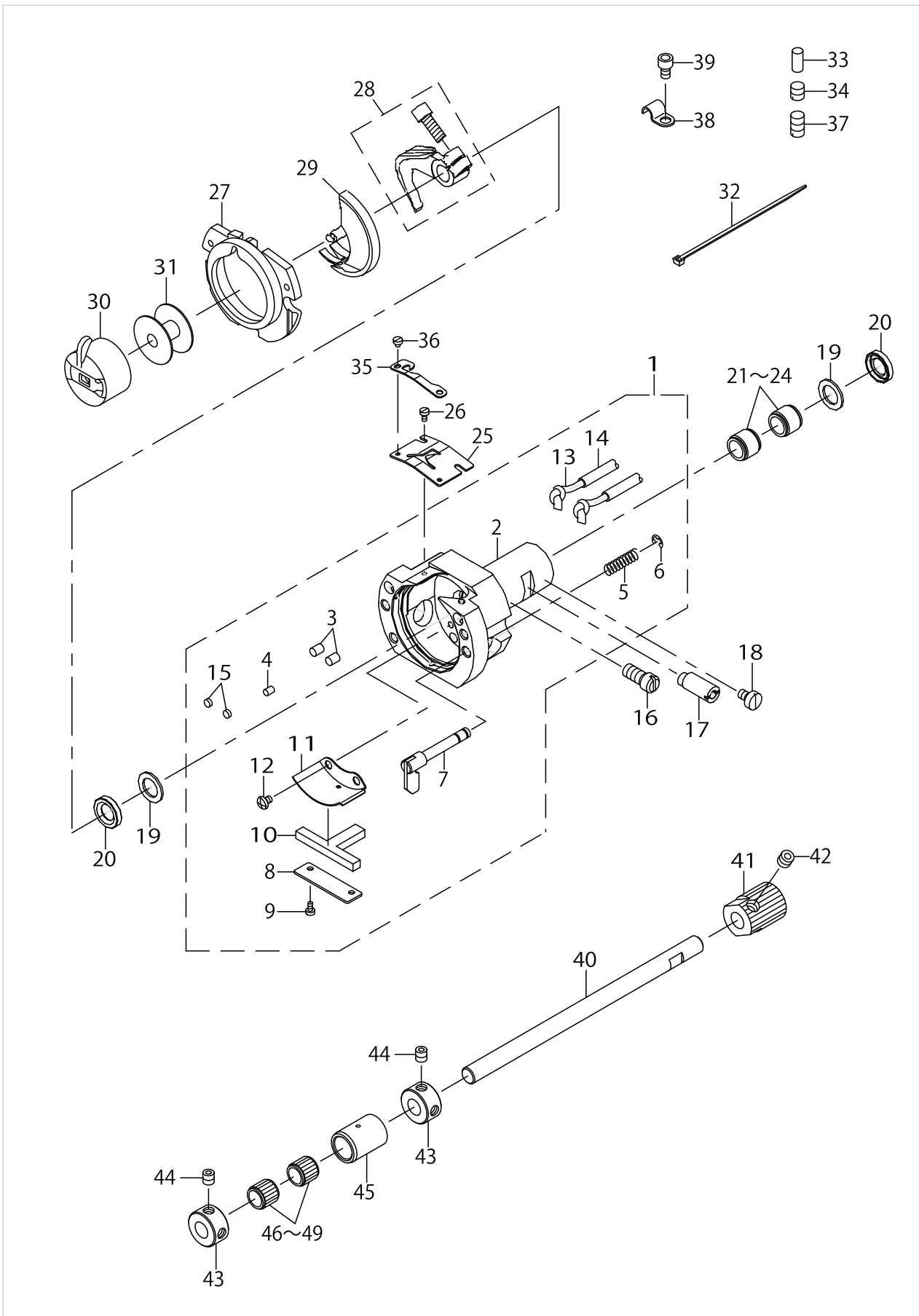
PRESSER MECHANISM & PRESSER VARIABLE COMPONENTS (2)



PRESSER MECHANISM & PRESSER VARIABLE COMPONENTS (2)

No.	Parts No.	Parts name	Remarks	Level	Cons	Qty
48	HD00057000A	PHOTO SENSOR				1
49	SL4031091SC	SCREW M3 X 10				1
50	EA9500B0100	CABLE BAND				2
51	SM6040602TP	SCREW M4 L=6				2
52	WP0450846SP	WASHER				4
53	40043321	BUSHING_C				1
54	EA9500B0200	CABLE BAND 150				2

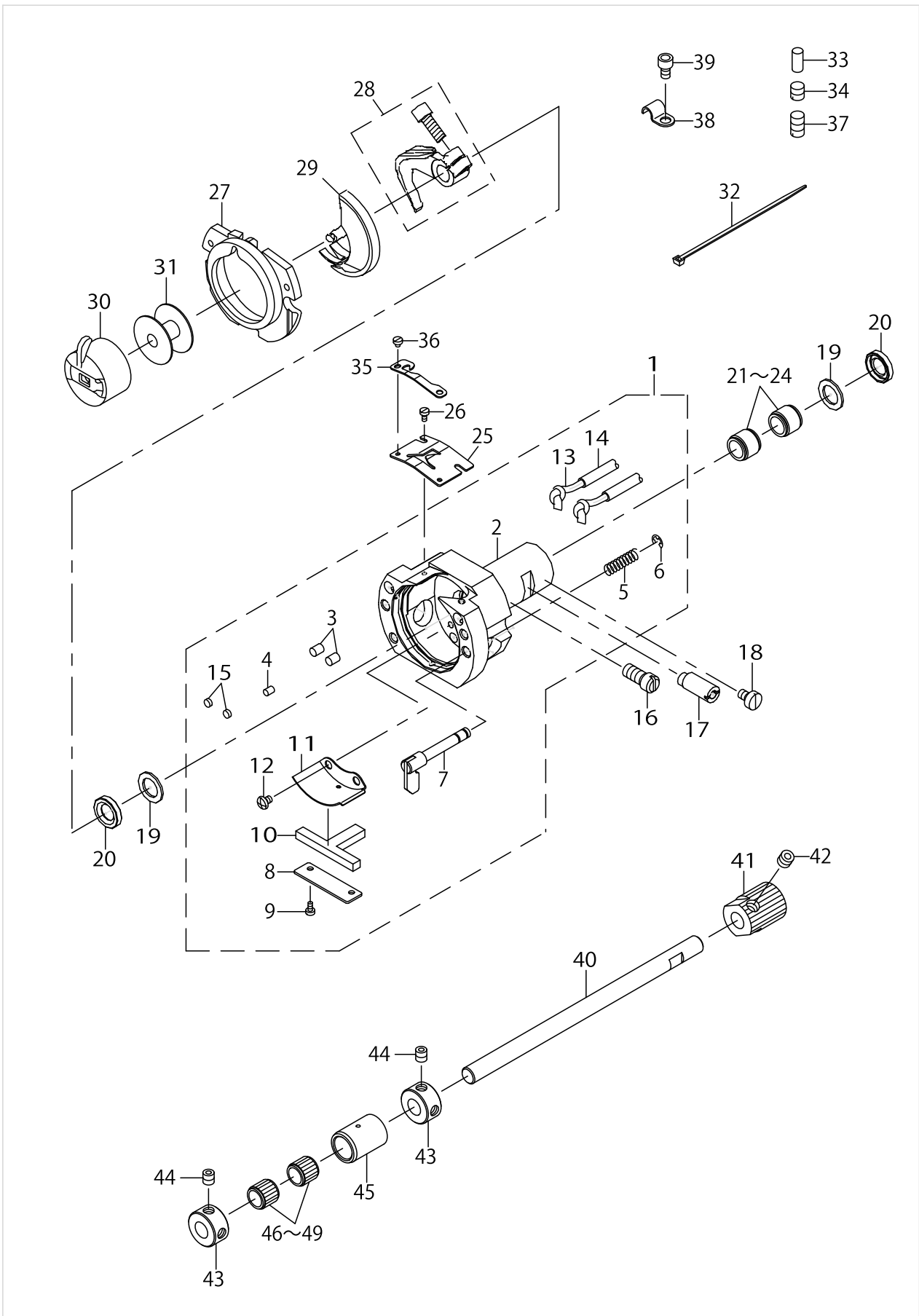
SHUTTLE DRIVER SHAFT COMPONENTS (1)



SHUTTLE DRIVER SHAFT COMPONENTS (1)

No.	Parts No.	Parts name	Remarks	Level	Cons	Qty
1	40072140	SHUTTLE_ASM				1
2	40089365	SHUTTLE		*		1
3	B1820210D00	SHUTTLE OIL FELT,A		*		2
4	B1821210D00	SHUTTLE OIL FELT,B		*		1
5	B1822215P00	INNER HOOK PRESSER SPRING		*		2
6	RE0300000K0	E-RING 3		*		2
7	26501858	INNER-HOOK-PRESSER COMPL.		*		2
8	14104004	ONCE THROUGH OIL FELT PRESSER		*		1
9	SM6020460TP	SCREW		*		2
10	14103907	SHUTTLE ONCE THROUGH OIL FELT		*		1
11	40006577	SHUTTLE_LUBRICATING_PLATE		*		1
12	SM4030455SP	SCREW		*		2
13	CQ200000000	OIL WICK		*		8.9
14	23630007	TUBE		*		3.9
15	13529607	SHUTTLE PACKING		*		2
16	40010470	SHUTTLE_ASM_SCREW				1
17	40010471	SHUTTLE_RACE_ADJUSTING_SHAFT				1
18	SM6060800SP	SCREW M6 L=8				1
19	40010472	SHUTTLE_BEARING_RING				2
20	40006576	SHUTTLE_OIL_SEAL				2
21	SB30800100A	BEARING	SELECTIVE PARTS			2
22	SB30800100B	BEARING	SELECTIVE PARTS			2
23	SB30800100C	BEARING	SELECTIVE PARTS			2
24	SB30800100D	BEARING	SELECTIVE PARTS			2
25	40036117	SHUTTLE UPPER SPRING				1
26	SM6020460TP	SCREW				2
27	14103352	INNER HOOK PRESSER ASM., B				1
28	40014963	SHUTTLE DRIVER ASM.			☆	1
29	40061991	SHUTTLE(H)			☆	1
30	B1828210DAA	BOBBIN CASE ASM.			☆	1
31	B1806210D00	BOBBIN			☆	1
32	EA9500B0100	CABLE BAND				2
33	40006578	OIL_WICK_PRESSER				1
34	SM8060610TP	SCREW				1
35	40036118	LOWER THREAD HOLDER				1
36	SM6020250TP	SCREW				2
37	SM8061050TP	SCREW				1
38	B3538112000	OIL RETURN TUBE HOLDER				1
39	SM6040602TP	SCREW M4 L=6				1
40	40072102	DRIVER SHAFT				1
41	40072101	LOWER SHAFT GEAR				1
42	SM8060552TP	SCREW M6 L=5				2
43	CS0800971TP	THRUST COLLAR D=8 W=9				2
44	SM8050512TP	SCREW				4
45	B1847221D00	LOWER SHAFT MIDDLE METAL				1
46	B1411804A00	BEARING (A)	SELECTIVE PARTS			1
47	B1411804B00	NEEDLE DRIVING LEVER BEARING B	SELECTIVE PARTS			1

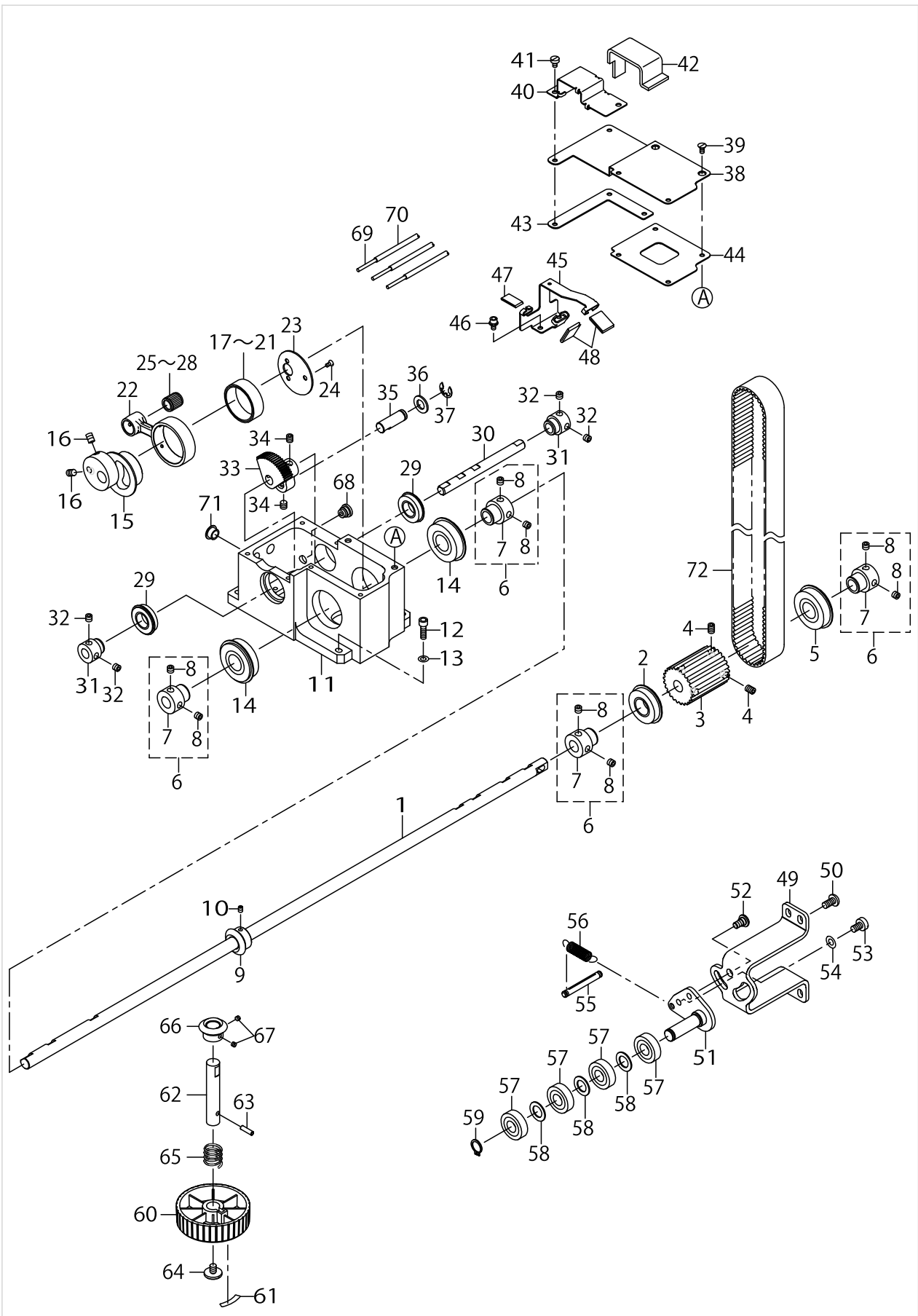
SHUTTLE DRIVER SHAFT COMPONENTS (1)



SHUTTLE DRIVER SHAFT COMPONENTS (1)

No.	Parts No.	Parts name	Remarks	Level	Cons	Qty
48	B1411804C00	NEEDLE DRIVING LEVER BEARING C	SELECTIVE PARTS			1
49	B1411804D00	BEARING (D)	SELECTIVE PARTS			1

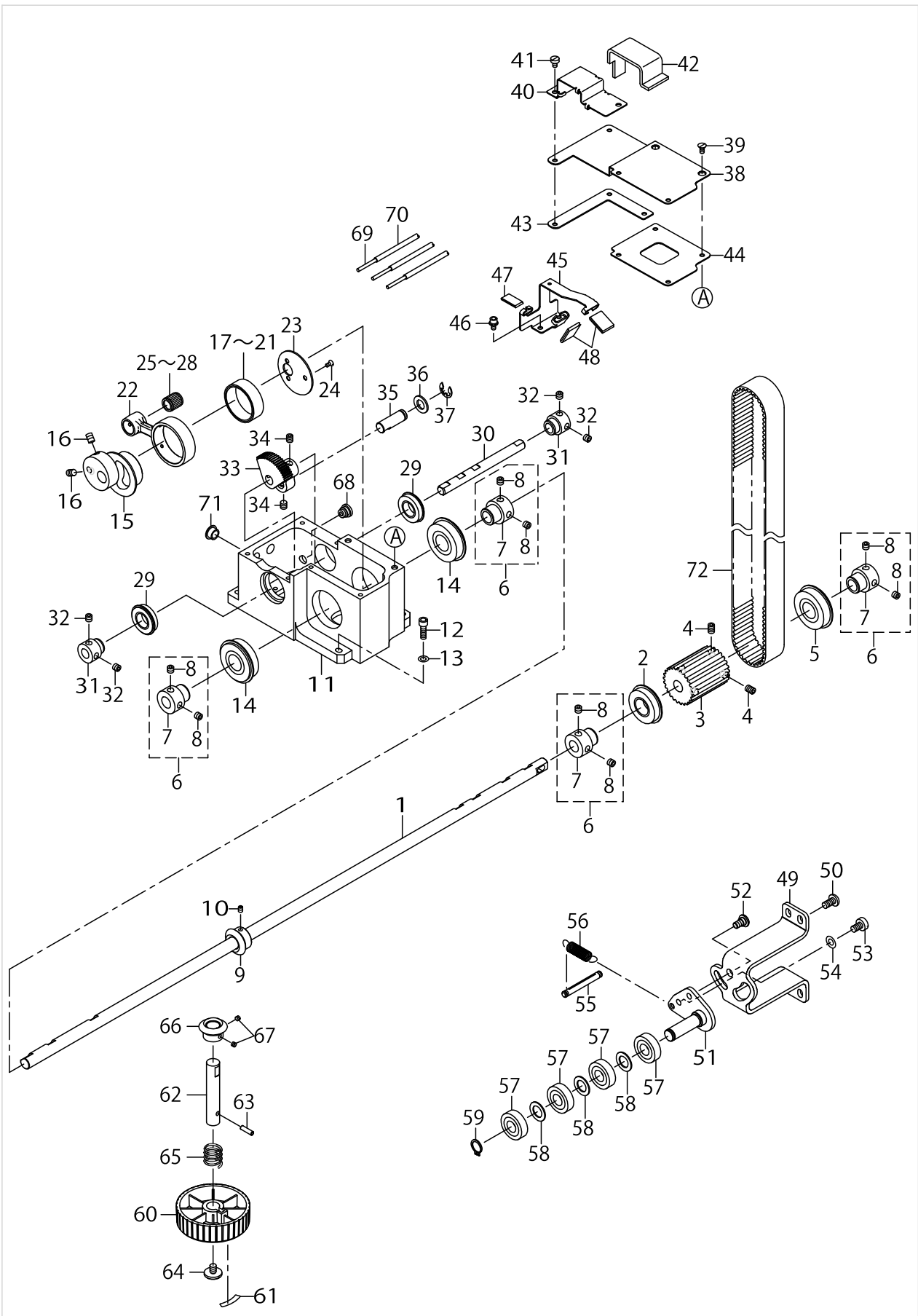
SHUTTLE DRIVER SHAFT COMPONENTS (2)



SHUTTLE DRIVER SHAFT COMPONENTS (2)

No.	Parts No.	Parts name	Remarks	Level	Cons	Qty
1	40072089	LOWER SHAFT				1
2	SB117000400	BEARING				1
3	40072207	LOWER SHAFT SPROCKET				1
4	SM8060812TP	SCREW M6 L=8				4
5	SB117001000	BEARING				1
6	40086384	BEARING SUPPORT ASM.				4
7	23618606	BEARING SUPPORT		*		1
8	SS8660612TP	SCREW 1/4-40 L=6		*		2
9	40072173	GEAR_A				1
10	SM8040502TP	SCREW M4X0.7 L=5				2
11	40072090	GEAR BOX				1
12	SM6051602TP	SCREW M5X0.8 L=16				4
13	WP0531000SD	WASHER M5				4
14	SB117001100	BEARING				2
15	40072091	ECCENTRICK CAM				1
16	SM8060812TP	SCREW M6 L=8				2
17	SB33500020A	BEARING				1
18	SB33500020B	BEARING				1
19	SB33500020C	BEARING				1
20	SB33500020D	BEARING				1
21	SB33500020E	BEARING				1
22	40072092	CRANK LOD				1
23	40072106	CRANK LOD SUPPORT PLATE				1
24	SM1030601SP	SCREW M3 L=6				3
25	SB31000110A	BEARING				1
26	SB31000110B	BEARING				1
27	SB31000110C	BEARING				1
28	SB31000110D	BEARING				1
29	SB115001400	BEARING				2
30	40072093	OSCILLATING SHAFT				1
31	40072227	BEARING_BUSH				2
32	SM8060552TP	SCREW M6 L=5				4
33	40072094	OSCILLATOR				1
34	SM8480652TP	SCREW				5
35	40072095	OSCILLATOR PIN				1
36	40026818	WASHER				1
37	RE0800000K0	E-SHAPED SNAP RING (8MM)				1
38	40072096	GEAR BOX COVER				1
39	SM1040870TP	SCREW				2
40	40072100	LUBRICATING PLATE				1
41	SM6040650TP	SCREW				5
42	40072099	FELT				1
43	40072097	GASKET A				1
44	40072098	GASKET B				1
45	40072159	LUBRICATION PLATE				1
46	SL6040892TN	BOLT				2
47	B3518280000	BALANCE LUBRICATING				1

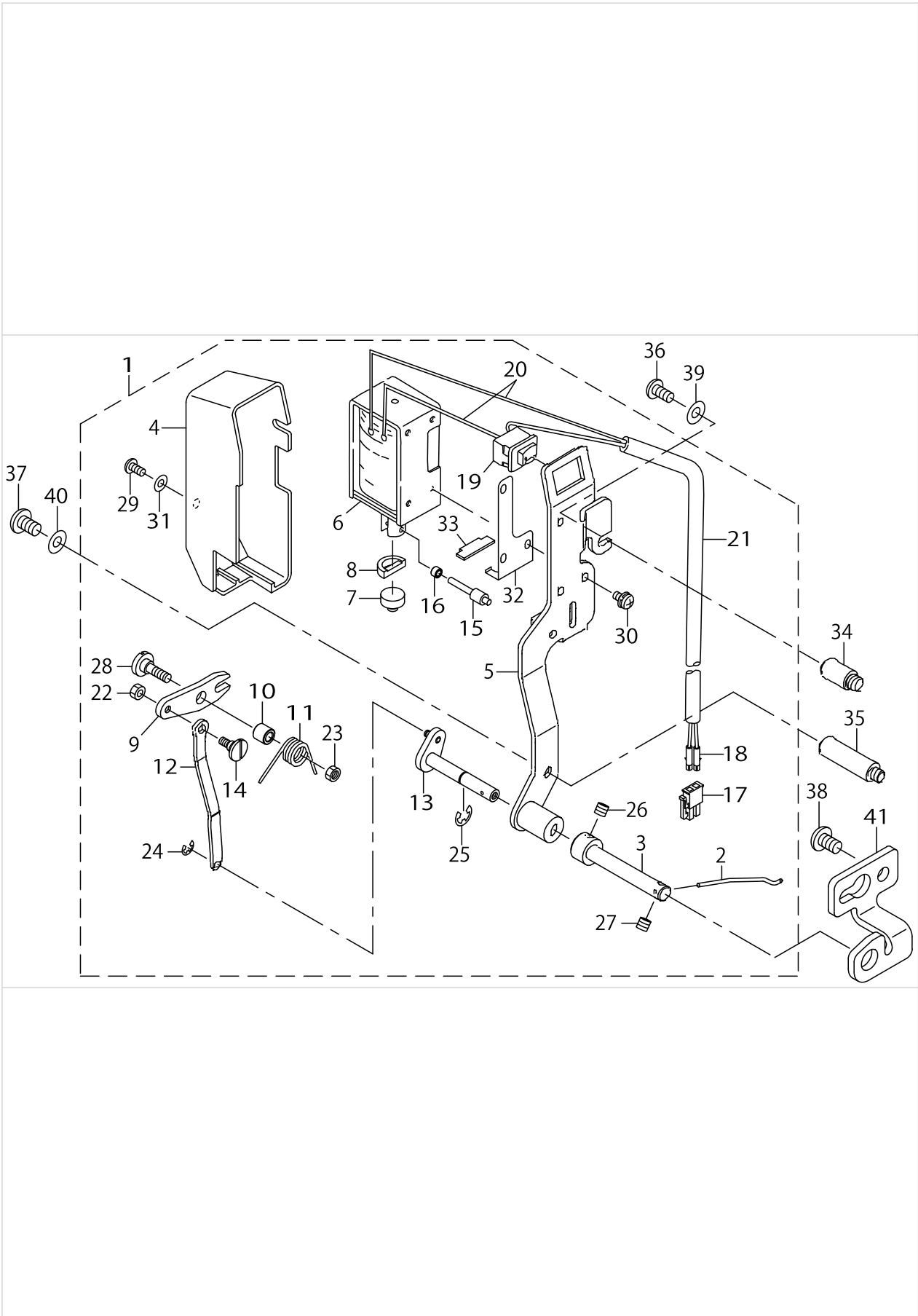
SHUTTLE DRIVER SHAFT COMPONENTS (2)



SHUTTLE DRIVER SHAFT COMPONENTS (2)

No.	Parts No.	Parts name	Remarks	Level	Cons	Qty
48	B3509280000	NEEDLE ROD CRANK LUBRICATING				2
49	40072208	IDLER INSTALLING PLATE				1
50	SM4061255SP	SCREW M6 L=12				4
51	40072103	IDLER BASE ASM				1
52	SD0800346TP	SHOULDER SCREW				1
53	SM6061010TP	SCREW M6 L=10				1
54	WP0641601SD	WASHER M6				1
55	13518501	SPRING SUSPENSION				1
56	14432504	IDLER SPRING				1
57	SB112000200	BEARING				4
58	WP1221016SP	WASHER				3
59	RC1200001KP	C-SHAPED SNAP RING				1
60	B1212210D00	PULLEY				1
61	B1144210000	REVOLVING DIRECTION LABEL				1
62	40044053	PULLEY SHAFT				1
63	PS0400142KH	SPRING PIN 4X14				1
64	A1230500000A	HANDWHEEL SETSCREW				1
65	GAF01007000	SPRING				1
66	40006515	GEAR_A				1
67	SM8040502TP	SCREW M4X0.7 L=5				2
68	40006840	RUBBER BUSH				3
69	CQ200000000	OIL WICK				2.6
70	23630007	TUBE				6.3
71	TA1050504R0	RUBBER PLUG				2
72	40072088	BELT				1

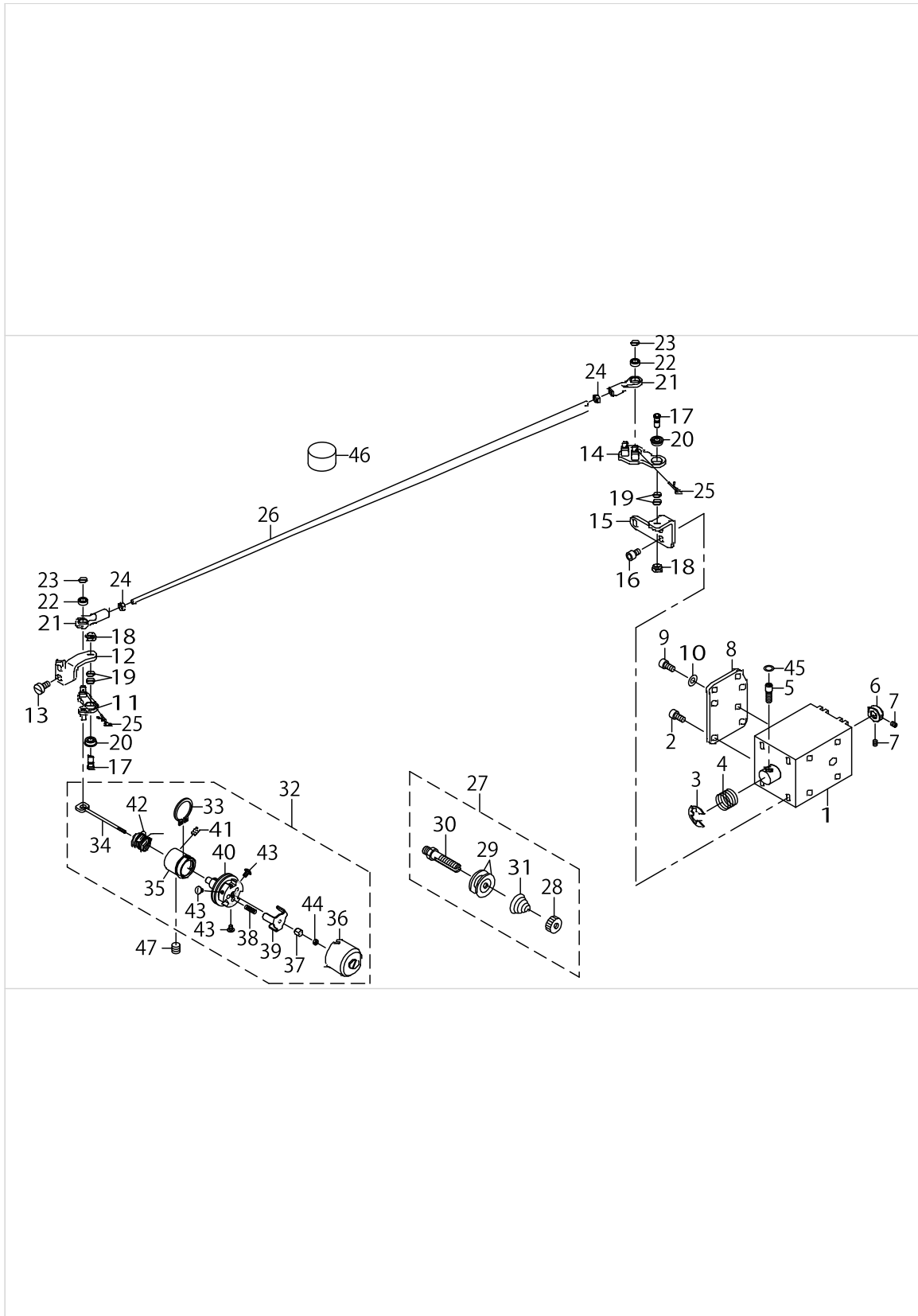
WIPER MECHANISM COMPONENTS



WIPER MECHANISM COMPONENTS

No.	Parts No.	Parts name	Remarks	Level	Cons	Qty
1	40072151	WIPER ASM				1
2	B2107210D00	WIPER		*	☆	1
3	40025416	WIPER_SHAFT_CAP		*		1
4	22955504	WIPER COVER		*		1
5	40030780	WIPER_BASE_ASM.		*		1
6	40030956	WIPER_SOLENOID		*		1
7	22955900	WIPER RUBBER A		*		1
8	22956007	WIPER RUBBER B		*		1
9	22956106	WIPER LINK A		*		1
10	22956205	WIPER HINGE SCREW COLLAR		*		1
11	B2130210D00	WIPER SPRING		*		1
12	40030779	WIPER_LINK_B		*		1
13	11111051	WIPER DRIVING SHAFT ASM.		*		1
14	22956908	WIPER LINK B HINGE SCREW		*		1
15	22957104	WIPER SOLENOID SHAFT		*		1
16	22957203	WIPER LINK COLLAR		*		1
17	HK034610020	2-POLE NYLON PLUG		*		1
18	HK03464000B	PIN CONTACT		*		2
19	HA006000000	SWITCH		*		1
20	HW200390000	ELECTRIC WIRE		*		0.04
21	HW500070000	2-CORE CABTYRE CORD		*		2.5
22	NS6090310SP	NUT 9/64-40		*		1
23	NS6110310SP	NUT 11/64-40		*		1
24	RE0250000K0	E-RING 2.5		*		1
25	RE0500000K0	E-RING		*		1
26	SM8040412TP	SET SCREW M4 L=4		*		1
27	SM8040412TP	SET SCREW M4 L=4		*		1
28	SD0650321TP	HINGE SCREW D=6.5 H=3.2		*		1
29	SM4030601SN	SCREW M3 X 6		*		1
30	SL4030641SE	SCREW		*		3
31	WP0320501SC	WASHER M3		*		1
32	40037500	RUBBER HOLDER		*		1
33	40037501	STOPPER RUBBER		*		1
34	40025440	WIPER_STUD_TOP				1
35	40025441	WIPER_STUD_BOTTOM				1
36	SM4040855SP	SCREW				1
37	SM4050855SP	SCREW				1
38	SM4041055SP	SCREW				2
39	WP0450801SP	WASHER				1
40	WP0531001SC	WASHER				1
41	B2110210D00	WIPER SHAFT SUPPORT BRACKET				1

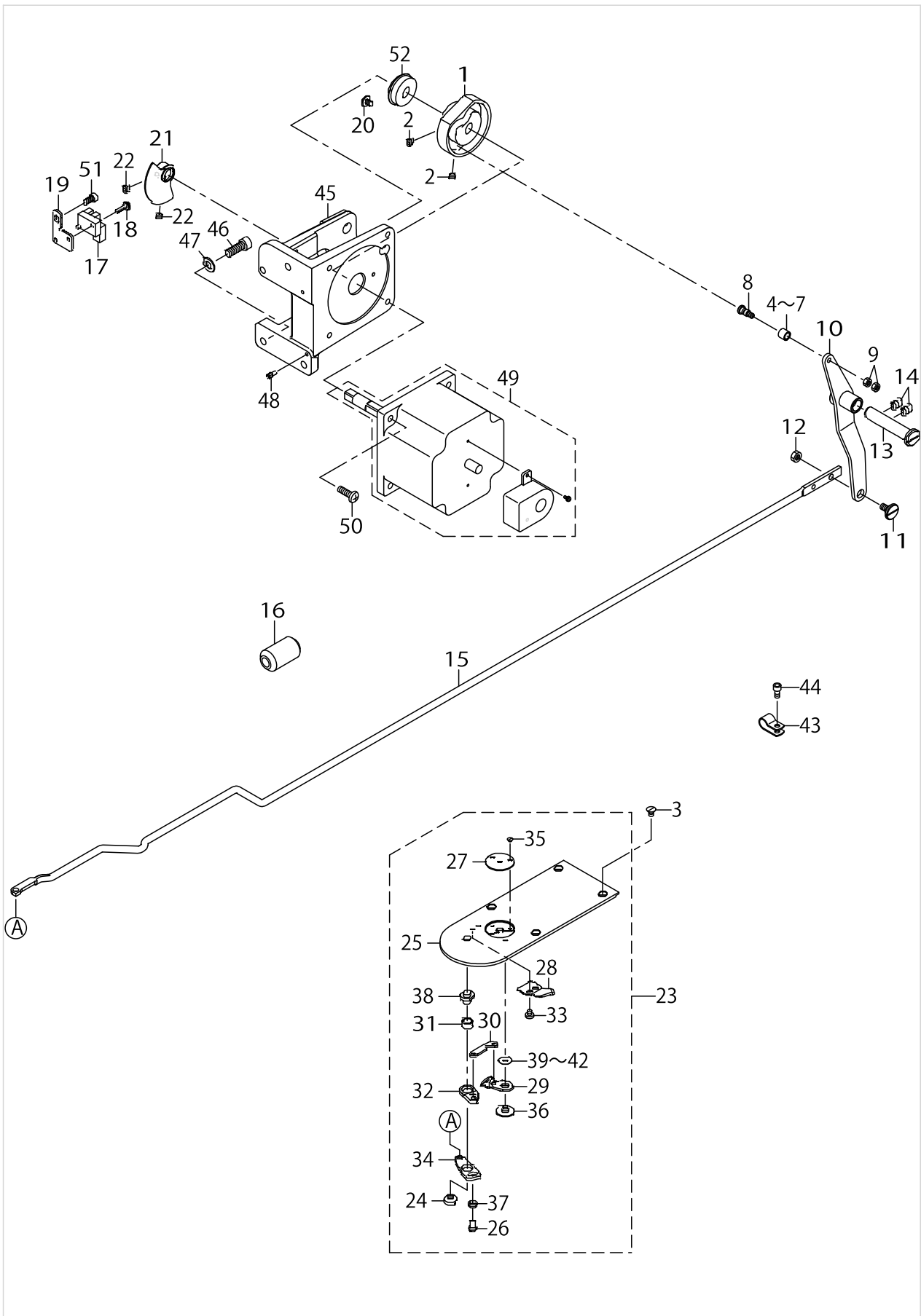
TENSION RELEASE & THREAD TENSION COMPONENTS



TENSION RELEASE & THREAD TENSION COMPONENTS

No.	Parts No.	Parts name	Remarks	Level	Cons	Qty
1	40073660	AT SOLENOID				1
2	SM6040802TP	SCREW M4X0.7 L=8				4
3	RE0900000K0	E-RING 9				1
4	40006625	SPRING				1
5	40006617	AT_SOL_PIN				1
6	40010477	AT_SOL_COLLAR				1
7	SM8030412TP	SCREW				2
8	40010479	AT_PLATE				1
9	SM6040802TP	SCREW M4X0.7 L=8				2
10	WP0430801SC	WASHER 4.3X9X0.8				2
11	40032343	AT_DRIVE_LINK_F_ASM				1
12	40023993	AT_PIVOT_BASE(F)				1
13	SM6040860TP	SCREW M4 L=8				2
14	40032345	AT_DRIVE_LINK_R_ASM				1
15	40023999	AT_PIVOT_BASE(R)				1
16	SM6040802TP	SCREW M4X0.7 L=8				2
17	40010487	AT_PIVOT_SCREW				2
18	NM6040003SC	NUT M4				2
19	40010489	AT_PIVOT_SCREW_WASHER				4
20	40010490	AT_PIVOT_BEARING				2
21	40010497	AT_JOINT				2
22	40010498	AT_JOINT_BEARING				2
23	40010489	AT_PIVOT_SCREW_WASHER				2
24	40010499	AT_JOINT_NUT				2
25	40006622	AT_SNAP_PIN				2
26	40072111	AT CONNECTION BAR				1
27	40010503	THREAD_TENSION_1_ASM.				1
28	22928808	NUT		*		1
29	22921506	THREAD TENSION DISK		*		2
30	40010504	THREAD_TENSION_SHAFT		*		1
31	26218602	FIRST THREAD TENSION SPRING		*		1
32	40029411	THREAD_TENSION_2_ASM_H	TYPE H			1
33	40010523	POST_BASE_C_RING		*		1
34	40010509	TENSION RELEASE PIN		*		1
35	40010510	THREAD_TENSION_POST_BASE		*		1
36	40010511	DISK_STOPPER_HOLDER_CAP		*		1
37	40010512	THREAD_TENSION_SHAFT_COLLAR		*		1
38	40010513	DISK_STOPPER_SPRING		*		3
39	40010514	DISK_STOPPER		*		1
40	40010515	ASSY_THREAD_TENSION_POST		*		1
41	40010478	AT_SOL_COLLAR_SCREW		*		1
42	40029412	THREAD_TAKE-UP_SPRING_H	TYPE H	*	☆	1
43	40010521	HOLD_CAP_SCREW		*		3
44	40010522	SHAFT_NUT		*		1
45	WP0510516SD	WASHER 5.1X7.5X0.5				2
46	B1228232000	OIL FELT				2
47	SM8061612TP	SCREW M6X16				1

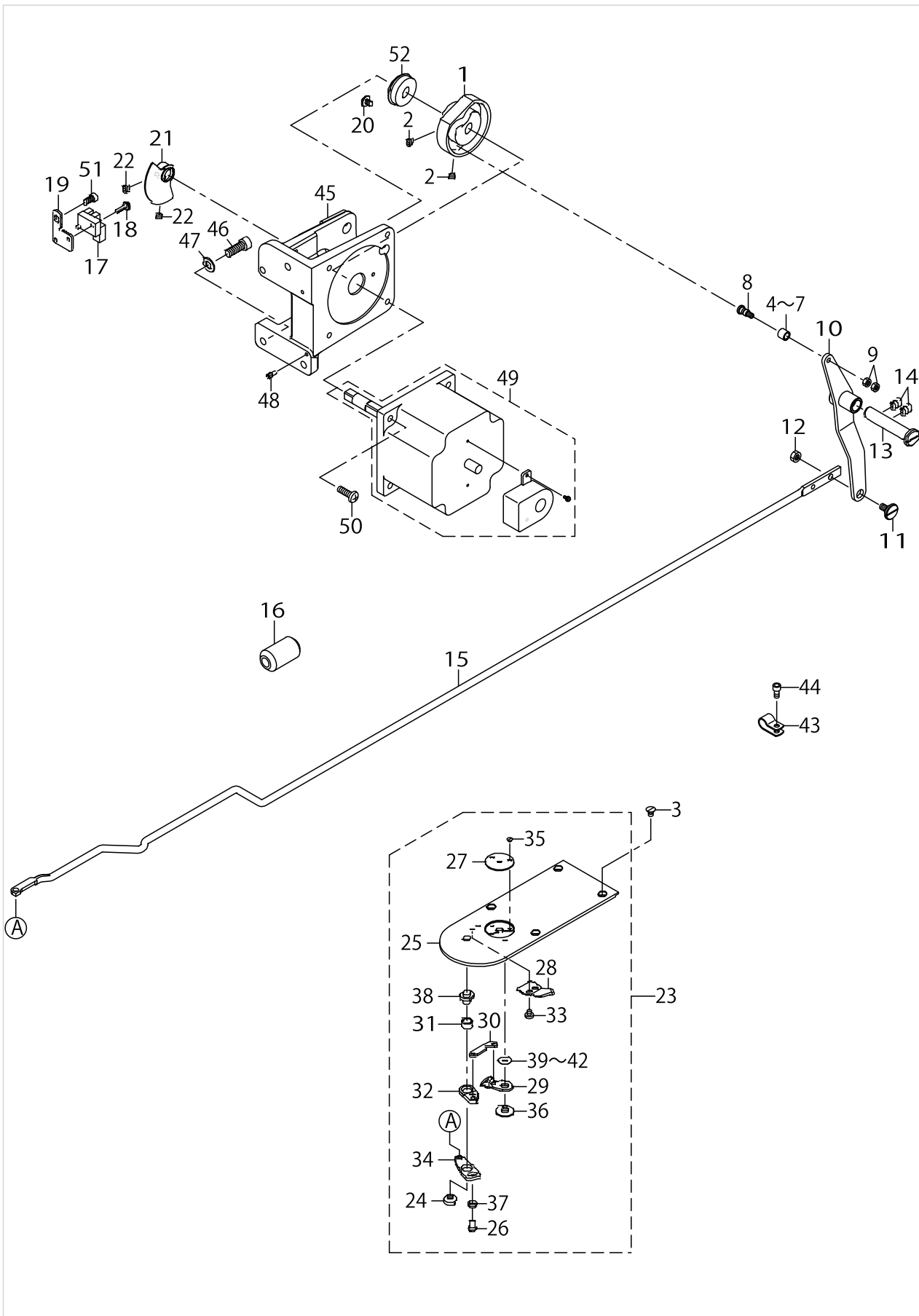
THREAD TRIMMER MECHANISM COMPONENTS



THREAD TRIMMER MECHANISM COMPONENTS

No.	Parts No.	Parts name	Remarks	Level	Cons	Qty
1	40030936	THREAD_TRIMMER_CAM				1
2	SM8050592TP	SCREW				2
3	SM1040650TP	SCREW				4
4	23517501	NEEDLE CAM ROLLER A	SELECTIVE PARTS			1
5	23517600	NEEDLE CAM ROLLER B	SELECTIVE PARTS			1
6	23517709	NEEDLE CAM ROLLER C	SELECTIVE PARTS			1
7	23517808	NEEDLE CAM ROLLER D	SELECTIVE PARTS			1
8	40040256	ROLLER_SHAFT				1
9	NM6040001SP	NUT M4X0.7				2
10	40072228	THREAD_TRIMMER_LINK_ASM				1
11	SD0800327TP	SHOULDER SCREW				1
12	NM6050001SP	NUT M5				1
13	40023624	THREAD_TRIMMER_SHAFT				1
14	SM8060812TP	SCREW M6 L=8				2
15	40072107	THREAD TRIMMER CONNECTING BAR				1
16	HN002840000	CORES	FOR JE			1
17	HD00057000A	PHOTO SENSOR				1
18	SL4031091SC	SCREW M3 X 10				1
19	40010443	SENSOR_INSTALLING_BASE				1
20	SM6040650TP	SCREW				1
21	40006666	SENSOR_SLIT_ASM				1
22	SM8050592TP	SCREW				2
23	40030933	NEEDLE_PLATE_H_ASM.	TYPE H			1
24	SS6110430TP	SCREW 11/64-40 L= 4.0		*		1
25	40030934	NEEDLE_PLATE		*		1
26	SS7110740TP	SCREW 11/64-40 L=7		*		1
27	B242621000B	NEEDLE HOLE GUIDE D=2.0	TYPE H	*	☆	1
28	B2424210000	COUNTER KNIFE		*	☆	1
29	B2421210AA0	MOVING KNIFE COMPL.		*	☆	1
30	B2418280000	MOVING KNIFE LINK		*		1
31	B2416280000	THREAD CUTTING LEVER RING		*		1
32	B24152800A0	THREAD CUTTER LEVER ASM., SMALL		*		1
33	SS7090410SP	SCREW 9/64-40 L= 3.5		*		2
34	B24142800A0	THREAD CUTTER LEVER ASM., LARGE		*		1
35	SS1060210TP	SCREW 3/32-56 L=2.2		*	☆	2
36	B2417210000	MOVING KNIFE HINGE SCREW		*		1
37	WP0450846SP	WASHER		*		1
38	B2417280000	THREAD CUTTER LEVER SHAFT		*		1
39	B242328000D	MOVING KNIFE WASHER D	SELECTIVE PARTS	*		1
40	B242328000B	MOVING KNIFE WASHER B	SELECTIVE PARTS	*		1
41	B242328000A	MOVING KNIFE WASHER A	SELECTIVE PARTS	*		1
42	B242328000C	MOVING KNIFE WASHER C	SELECTIVE PARTS	*		1
43	HX00150000C	CABLE CLIP				1
44	SM6040802TP	SCREW M4X0.7 L=8				1
45	40072211	MOTOR_BASE				1
46	SM6061802TP	SCREW M6 L=18				3
47	WP0651001SC	WASHER				3

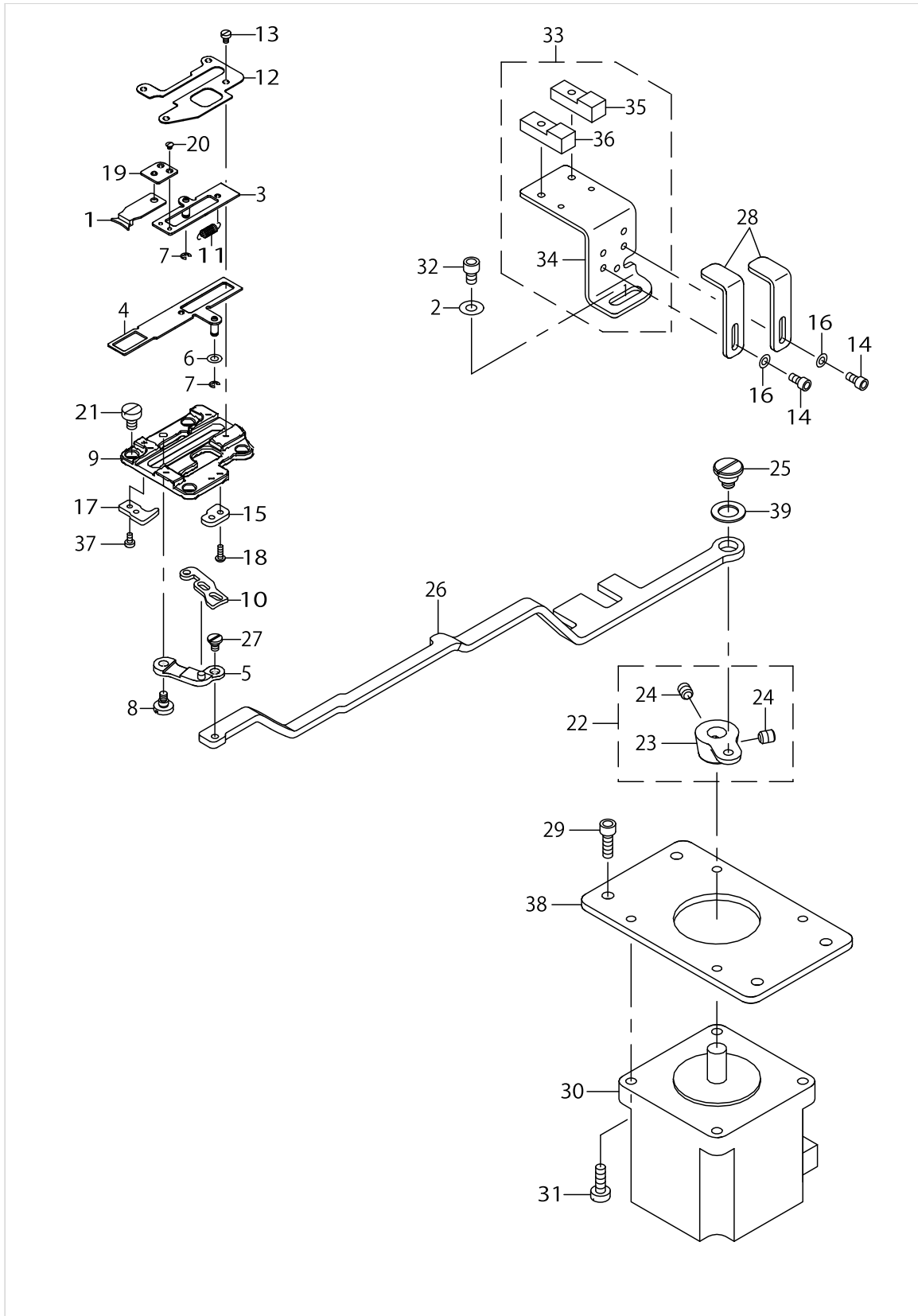
THREAD TRIMMER MECHANISM COMPONENTS



THREAD TRIMMER MECHANISM COMPONENTS

No.	Parts No.	Parts name	Remarks	Level	Cons	Qty
48	B1816215P00	GUIDE PIN				2
49	40103968	ENCODER MOTOR ASM.(TC)				1
50	SM4051655SP	SCREW M5 L=16				4
51	SM6040802TP	SCREW M4X0.7 L=8				1
52	SB110002400	BEARING				1

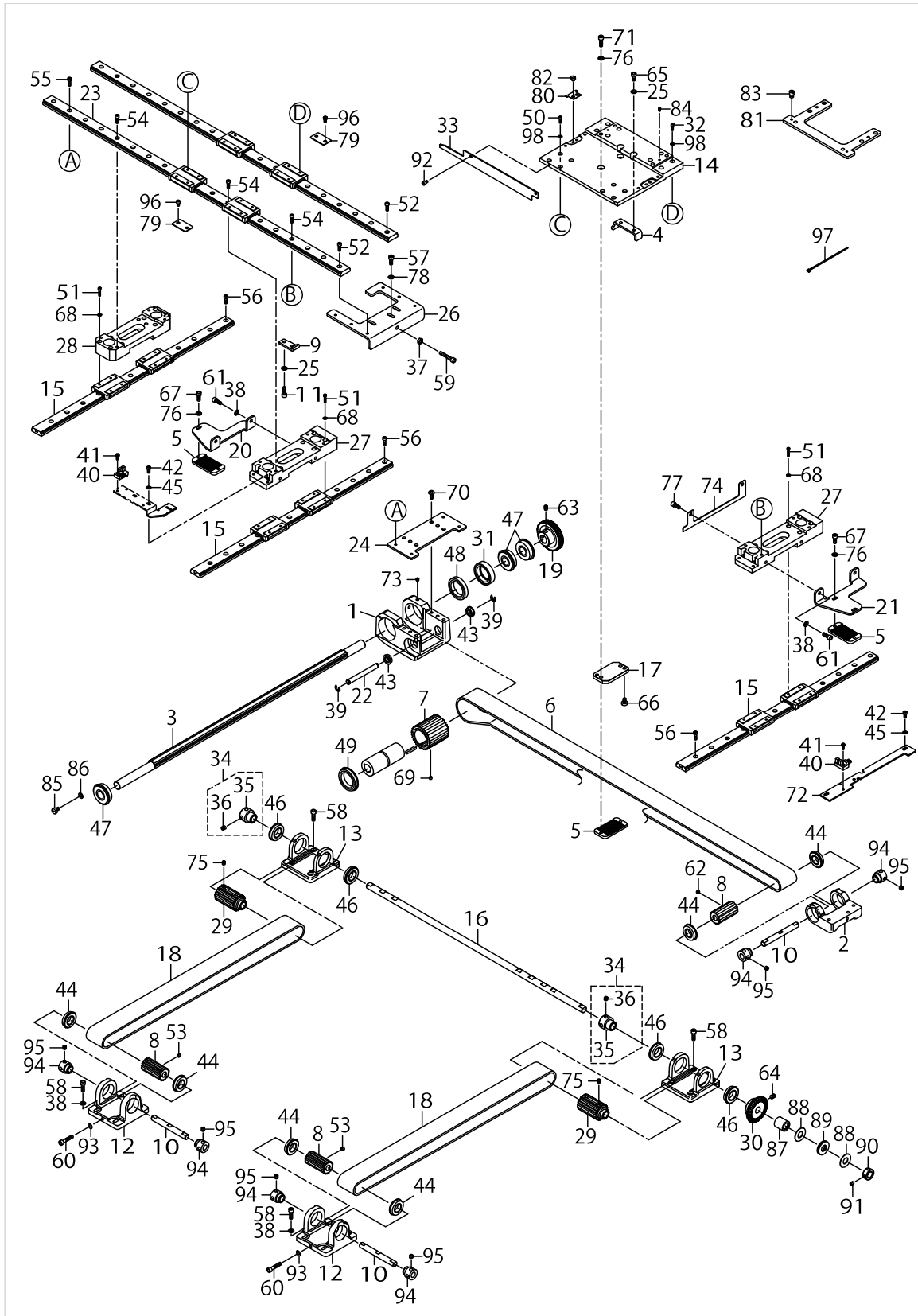
THREAD CLAMP COMPONENTS



THREAD CLAMP COMPONENTS

No.	Parts No.	Parts name	Remarks	Level	Cons	Qty
1	40006761	TC_CLAMP				1
2	WP0450801SP	WASHER				1
3	40006762	TC_CLAMP_PLATE_ASM.				1
4	40006765	TC_SUPPERT_PLATE_ASM.				1
5	40015800	TC_LINK_ASM.				1
6	WP0320500SC	WASHER M3				1
7	RE0200000K0	E-RING				2
8	SD0400266TP	SHOULDER SCREW				1
9	40010589	TC BASE				1
10	40006772	TC_CAM_PLATE				1
11	40006780	TC_SPRING				1
12	40006781	TC_BASE_COVER				1
13	SM6020350SP	SCREW M2 L=2.5				4
14	SM6030602TP	SCREW M3X0.5 L=6				4
15	40030943	TC_NOTCH_R_H	TYPE H			1
16	WP0320500SD	M3 WASHER				4
17	40030942	TC_NOTCH_F_H	TYPE H			1
18	SM4020600SP	SCREW M2 L=6				2
19	40006768	TC_JOINT_ASM.				1
20	SM2360110TP	SCREW				2
21	SM6040650TP	SCREW				4
22	40010527	TC_DRIVING_ARM_ASM.				1
23	40010528	TC_DRIVING_ARM		*		1
24	40011152	TC_ARM_SCREW		*		2
25	SD0800407TP	SHOULDER SCREW				1
26	40072108	TC CONNECTING LINK				1
27	SD0350156TP	SHOULDER SCREW				1
28	40072225	CONNECTING_LINK_SUPPORT				2
29	SM6041202TP	SCREW M4X0.7 L=12				3
30	40075079	STEPPING MOTOR				1
31	SM6041202TP	SCREW M4X0.7 L=12				4
32	SM6040602TP	SCREW M4 L=6				1
33	40073674	TH SENSOR ASM				1
34	40072109	TC SENSOR INSTALLING PLATE		*		1
35	HD00204000A	SENSOR		*		1
36	HD00204000B	SENSOR		*		1
37	SM6020450TP	SCREW				2
38	40072110	THREAD HOLD MOTOR INSTALLING P				1
39	GBR0118500A	WASHER				1

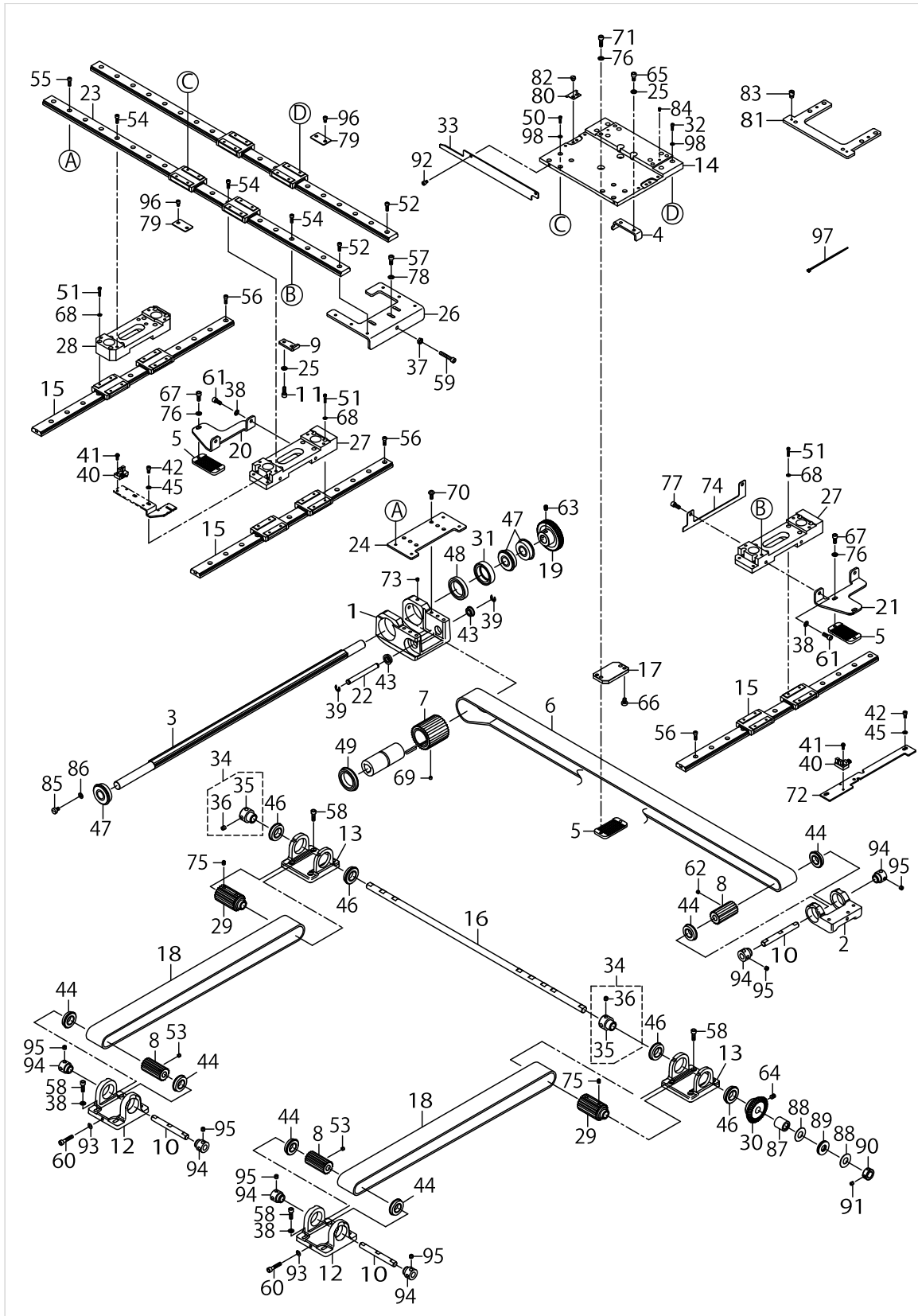
X-Y COMPONENTS (1)(FOR 4530)



X-Y COMPONENTS (1)(FOR 4530)

No.	Parts No.	Parts name	Remarks	Level	Cons	Qty
1	40072160	X_DRIVE_BRACKET				1
2	40072113	X DRIVEN BRACKET				1
3	40072115	X DRIVE SPLINE SHAFT				1
4	40072130	X STOPPER A 4530				1
5	40072166	BELT RECEIVER				3
6	40072169	X TIMING BELT(4530)				1
7	40072167	X DRIVE SPROCKET				1
8	40072168	DRIVEN SPROCKET				3
9	40072152	X STOPPER B 4530				1
10	40072226	DRIVEN_SHAFT				3
11	SM6051402TP	SCREW M5X0.8 L=14				2
12	40072114	Y DRIVEN BRACKET				2
13	40072112	Y DRIVE BRACKET				2
14	40072116	X FEED BASE				1
15	40072117	Y-LM GUIDE				3
16	40072118	Y DRIVE SHAFT				1
17	40072119	X BELT PRESSER FIX PLATE				1
18	40072171	Y TIMING BELT				2
19	B2534223C00	X DRIVEN WHEEL				1
20	40072129	Y BELT PRESSER FIX PLATE LEFT				1
21	40072128	Y BELT PRESSER FIX PLATE RIGHT				1
22	B2539223C00	X IDLER SHAFT				1
23	40072120	X-LM GUIDE(4530)				2
24	40072122	X DRIVE BRACKET BASE				1
25	WP0531000SD	WASHER M5				4
26	40072156	X DRIVEN BRACKET BASE 4530				1
27	40072124	Y FEED BASE A				2
28	40072125	Y FEED BASE B				1
29	40072126	Y DRIVE SPROCKET				2
30	B2548223C00	Y DRIVEN WHEEL				1
31	B2549223C00	COLLAR				1
32	SM6031002TP	HEXAGONAL BOLT M3 X 10				8
33	40072131	X SLIT PLATE 4530				1
34	40086384	BEARING SUPPORT ASM.				2
35	23618606	BEARING SUPPORT		*		1
36	SS8660612TP	SCREW 1/4-40 L=6		*		2
37	NM6050001SP	NUT M5				1
38	WP0531000SD	WASHER M5				12
39	RE0600000K0	E-RING 6				2
40	HD00057000A	PHOTO SENSOR				2
41	SL4031091SC	SCREW M3 X 10				2
42	SM6040802TP	SCREW M4X0.7 L=8				4
43	SB108000500	RADIAL BEARING				2
44	SB115000600	BALL BEARING				6
45	WP0430800SD	WASHER M4				4
46	SB117000900	BEARING				4
47	B1802180000	BUSHING, FRONT				3

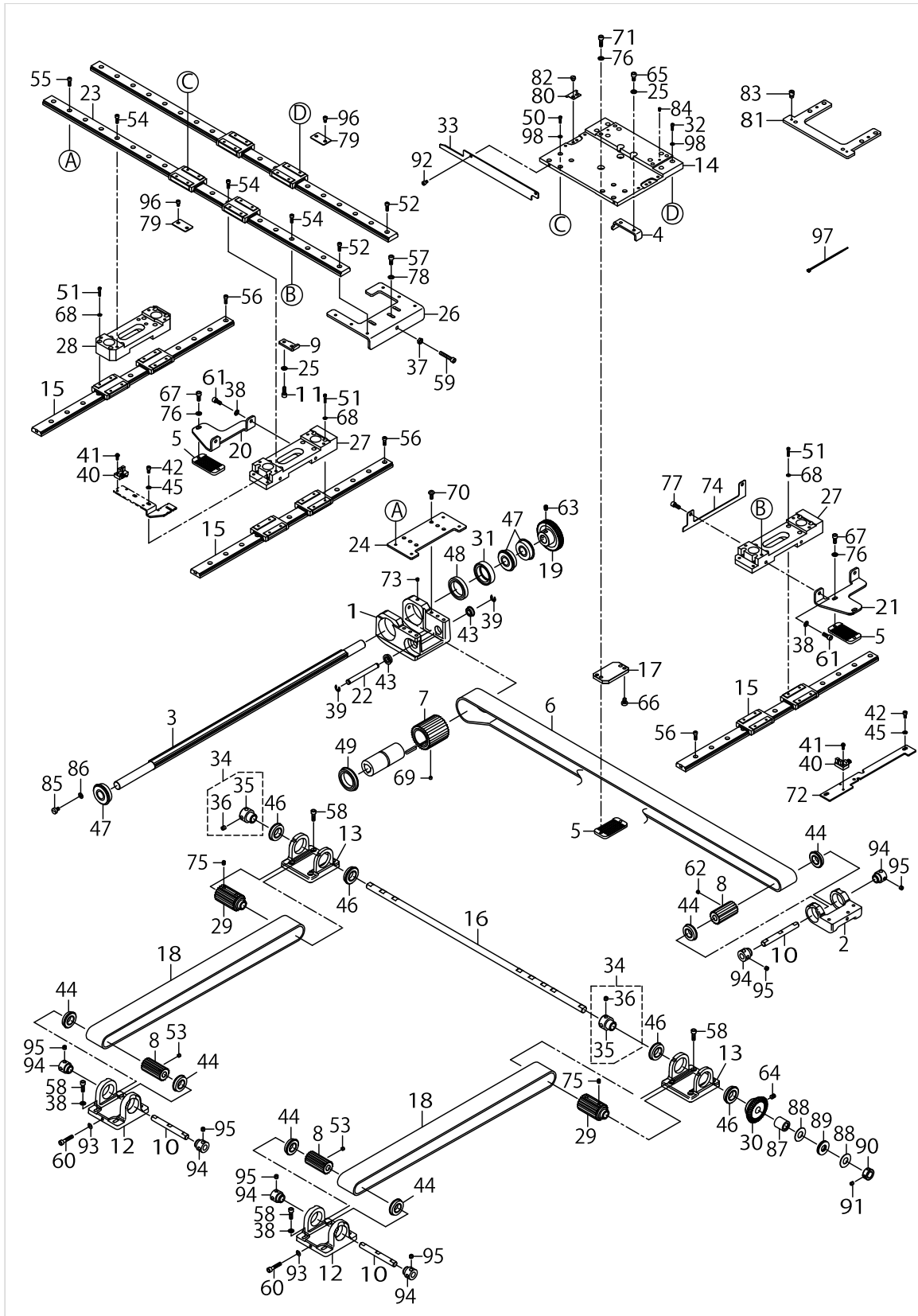
X-Y COMPONENTS (1)(FOR 4530)



X-Y COMPONENTS (1)(FOR 4530)

No.	Parts No.	Parts name	Remarks	Level	Cons	Qty
48	SB13000200	BEARING				1
49	SB13000300	BEARING				1
50	SM6030602TP	SCREW M3X0.5 L=6				8
51	SM6031402TP	SCREW				24
52	SM6041202TP	SCREW M4X0.7 L=12				6
53	SM8050412TP	SCREW M5 L=4				4
54	SM6041202TP	SCREW M4X0.7 L=12				12
55	SM6041202TP	SCREW M4X0.7 L=12				4
56	SM6041202TP	SCREW M4X0.7 L=12				21
57	SM6051202TP	SCREW M5X0.8 L=12				3
58	SM6051602TP	SCREW M5X0.8 L=16				16
59	SM6053052TN	SCREW				1
60	SM6052502TP	SCREW M5X0.8 L=25				2
61	SM6051202TP	SCREW M5X0.8 L=12				4
62	SM8050412TP	SCREW M5 L=4				2
63	SM8060802TP	SCREW M6 L=8				2
64	SM8060812TP	SCREW M6 L=8				2
65	SM6051002TP	SCREW M5X0.8 L=10				2
66	SM6050800SP	SCREW M5 L=8				2
67	SM6051202TP	SCREW M5X0.8 L=12				4
68	WP0320501SD	WASHER				24
69	SM8050412TP	SCREW M5 L=4				2
70	SM4051255SP	SCREW.,M5 L=12.				6
71	SM6051602TP	SCREW M5X0.8 L=16				2
72	40072209	YSENSOR INSTALLING PLATE				1
73	SM8050412TP	SCREW M5 L=4				2
74	40072133	Y SLIT PLATE				1
75	SM8050612TP	SCREW M5X6				8
76	WP0531000SD	WASHER M5				6
77	SM6050652TP	HEXAGON SOCKET HEAD SCREW M5X6				2
78	WP0531000SD	WASHER M5				3
79	B4022221D00	FLAT CABLE CLAMP				2
80	B1158224C00	COVER PRESSER				2
81	40072127	LOWER PLATE INSTALLING PLATE				1
82	SM6040450TP	SCREW M4 L=4				4
83	B151902600G	HINGE STUD				2
84	B1816280000	GUIDE PIN				2
85	SM6050800SP	SCREW M5 L=8				1
86	WP0531000SD	WASHER M5				1
87	SB312000600	BEARING				1
88	13887005	THRUST WASHER				2
89	SB612000100	BEARING				1
90	CS1200981TP	THRUST COLLAR D=12 W=9				1
91	SM8050592TP	SCREW				2
92	SM6040602TP	SCREW M4 L=6				2
93	WP0531000SD	WASHER M5				2
94	40072227	BEARING_BUSH				6

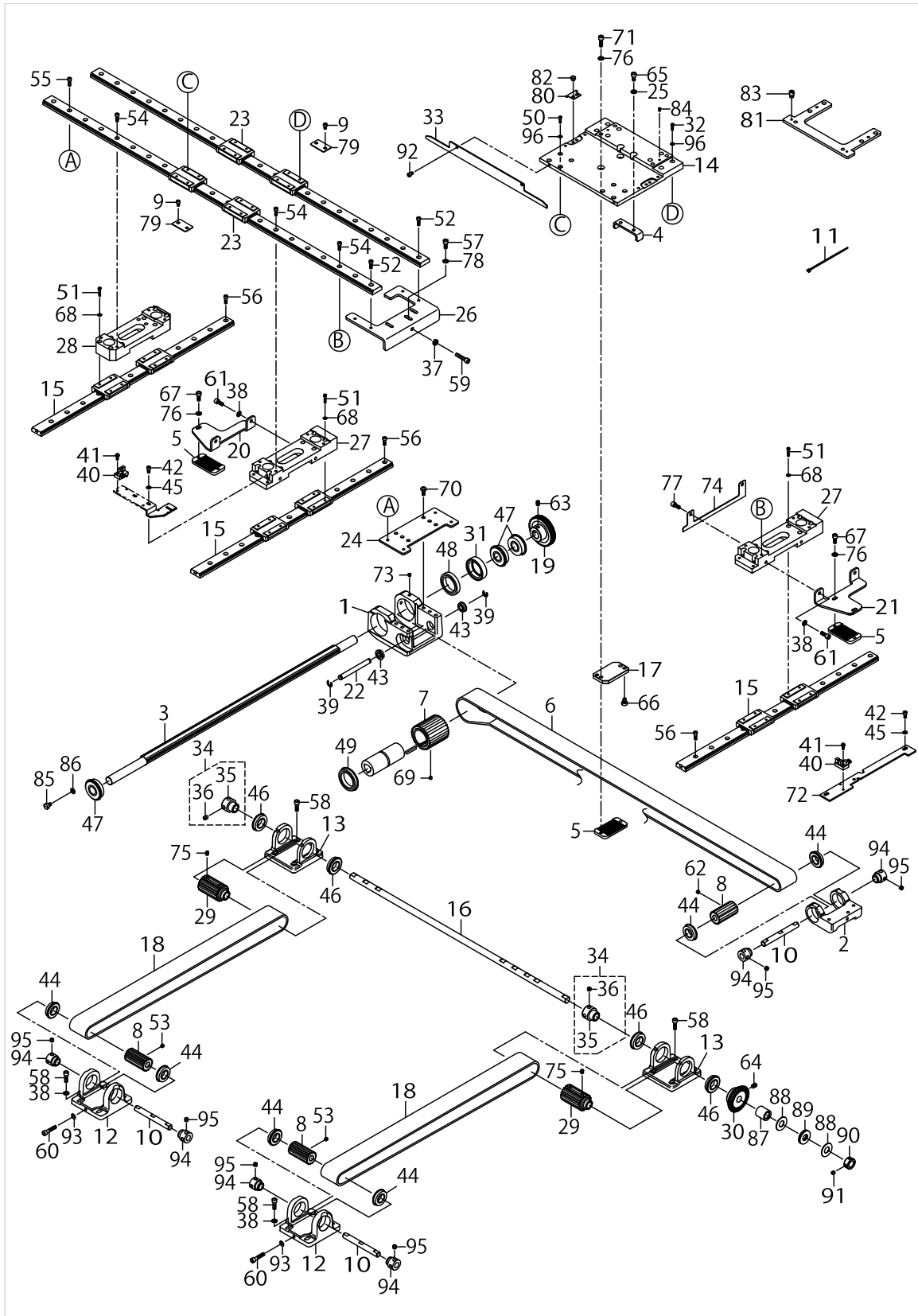
X-Y COMPONENTS (1)(FOR 4530)



X-Y COMPONENTS (1)(FOR 4530)

No.	Parts No.	Parts name	Remarks	Level	Cons	Qty
95	SM8060552TP	SCREW M6 L=5				12
96	SM6040602TP	SCREW M4 L=6				4
97	EA9500B0100	CABLE BAND				3
98	WP0320501SD	WASHER				16

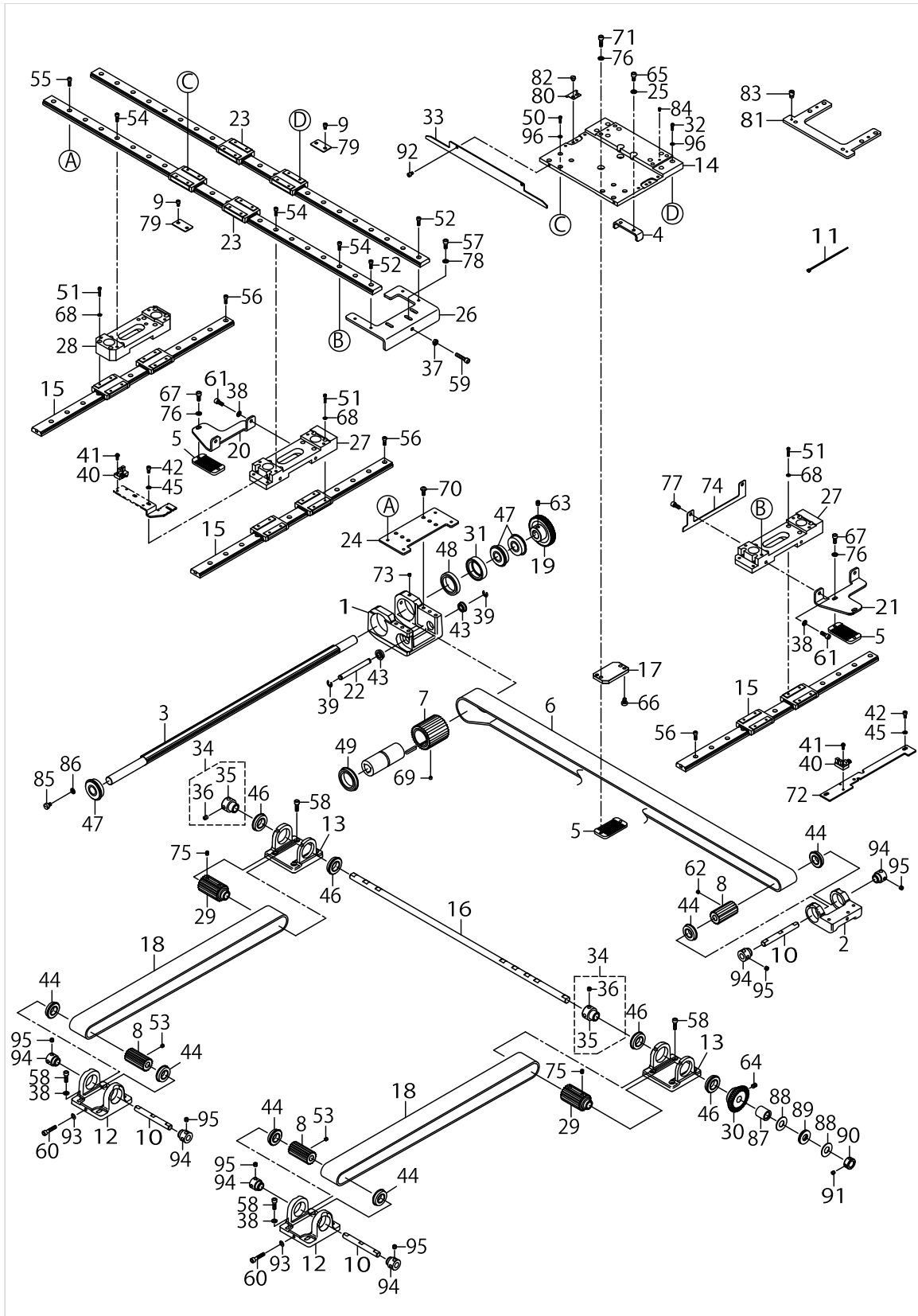
X-Y COMPONENTS (2)(FOR 6030)



X-Y COMPONENTS (2)(FOR 6030)

No.	Parts No.	Parts name	Remarks	Level	Cons	Qty
1	40072160	X_DRIVE_BRACKET				1
2	40072113	X DRIVEN BRACKET				1
3	40072115	X DRIVE SPLINE SHAFT				1
4	40072153	X STOPPER 6030				1
5	40072166	BELT RECEIVER				3
6	40072170	X TIMING BELT(6030)				1
7	40072167	X DRIVE SPROCKET				1
8	40072168	DRIVEN SPROCKET				3
9	SM6040602TP	SCREW M4 L=6				4
10	40072226	DRIVEN_SHAFT				3
11	EA9500B0100	CABLE BAND				3
12	40072114	Y DRIVEN BRACKET				2
13	40072112	Y DRIVE BRACKET				2
14	40072116	X FEED BASE				1
15	40072117	Y-LM GUIDE				4
16	40072118	Y DRIVE SHAFT				1
17	40072119	X BELT PRESSER FIX PLATE				1
18	40072171	Y TIMING BELT				2
19	B2534223C00	X DRIVEN WHEEL				1
20	40072129	Y BELT PRESSER FIX PLATE LEFT				1
21	40072128	Y BELT PRESSER FIX PLATE RIGHT				1
22	B2539223C00	X IDLER SHAFT				1
23	40072121	X-LM GUIDE(6030)				2
24	40072122	X DRIVE BRACKET BASE				1
25	WP0531000SD	WASHER M5				2
26	40072123	X DRIVEN BRACKET BASE(6030)				1
27	40072124	Y FEED BASE A				2
28	40072125	Y FEED BASE B				2
29	40072126	Y DRIVE SPROCKET				2
30	B2548223C00	Y DRIVEN WHEEL				1
31	B2549223C00	COLLAR				1
32	SM6031002TP	HEXAGONAL BOLT M3 X 10				8
33	40072132	X SLIT PLATE 6030				1
34	40086384	BEARING SUPPORT ASM.				2
35	23618606	BEARING SUPPORT		*		1
36	SS8660612TP	SCREW 1/4-40 L=6		*		2
37	NM6050001SP	NUT M5				1
38	WP0531000SD	WASHER M5				12
39	RE0600000K0	E-RING 6				2
40	HD00057000A	PHOTO SENSOR				2
41	SL4031091SC	SCREW M3 X 10				2
42	SM6040802TP	SCREW M4X0.7 L=8				4
43	SB108000500	RADIAL BEARING				2
44	SB115000600	BALL BEARING				6
45	WP0430800SD	WASHER M4				4
46	SB117000900	BEARING				4
47	B1802180000	BUSHING, FRONT				3

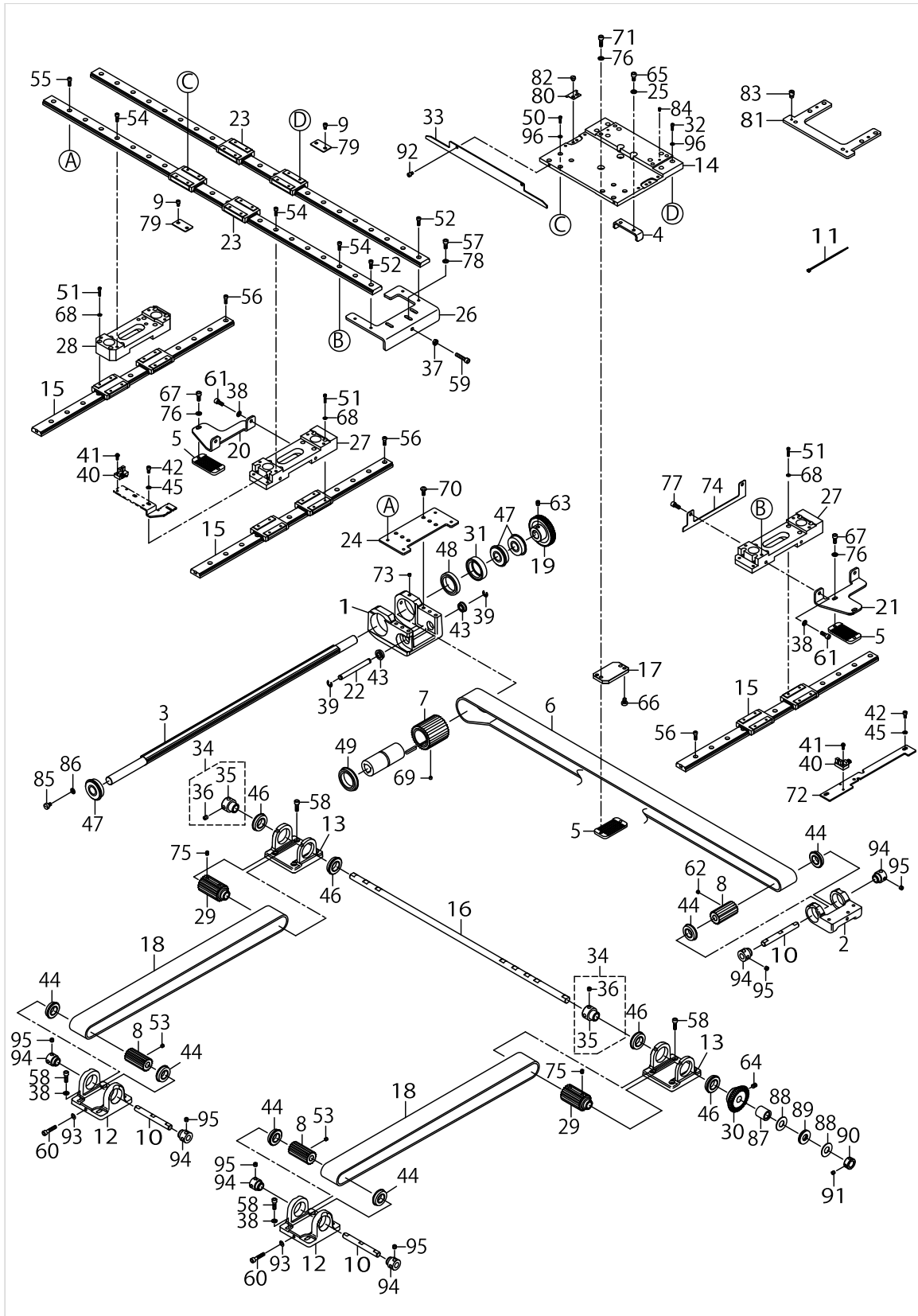
X-Y COMPONENTS (2)(FOR 6030)



X-Y COMPONENTS (2)(FOR 6030)

No.	Parts No.	Parts name	Remarks	Level	Cons	Qty
48	SB13000200	BEARING				1
49	SB13000300	BEARING				1
50	SM6030602TP	SCREW M3X0.5 L=6				8
51	SM6031402TP	SCREW				32
52	SM6041202TP	SCREW M4X0.7 L=12				4
53	SM8050412TP	SCREW M5 L=4				4
54	SM6041202TP	SCREW M4X0.7 L=12				12
55	SM6041202TP	SCREW M4X0.7 L=12				4
56	SM6041202TP	SCREW M4X0.7 L=12				28
57	SM6051202TP	SCREW M5X0.8 L=12				3
58	SM6051602TP	SCREW M5X0.8 L=16				16
59	SM6052502TP	SCREW M5X0.8 L=25				1
60	SM6052502TP	SCREW M5X0.8 L=25				2
61	SM6051202TP	SCREW M5X0.8 L=12				4
62	SM8050412TP	SCREW M5 L=4				2
63	SM8060802TP	SCREW M6 L=8				2
64	SM8060812TP	SCREW M6 L=8				2
65	SM6051002TP	SCREW M5X0.8 L=10				2
66	SM6050800SP	SCREW M5 L=8				2
67	SM6051202TP	SCREW M5X0.8 L=12				4
68	WP0320501SD	WASHER				32
69	SM8050412TP	SCREW M5 L=4				2
70	SM4051255SP	SCREW.,M5 L=12.				6
71	SM6051602TP	SCREW M5X0.8 L=16				2
72	40072209	YSENSOR INSTALLING PLATE				1
73	SM8050412TP	SCREW M5 L=4				2
74	40072133	Y SLIT PLATE				1
75	SM8050612TP	SCREW M5X6				8
76	WP0531000SD	WASHER M5				6
77	SM6050652TP	HEXAGON SOCKET HEAD SCREW M5X6				2
78	WP0531000SD	WASHER M5				3
79	B4022221D00	FLAT CABLE CLAMP				2
80	B1158224C00	COVER PRESSER				2
81	40072127	LOWER PLATE INSTALLING PLATE				1
82	SM6040450TP	SCREW M4 L=4				4
83	B151902600G	HINGE STUD				2
84	B1816280000	GUIDE PIN				2
85	SM6050800SP	SCREW M5 L=8				1
86	WP0531000SD	WASHER M5				1
87	SB312000600	BEARING				1
88	13887005	THRUST WASHER				2
89	SB612000100	BEARING				1
90	CS1200981TP	THRUST COLLAR D=12 W=9				1
91	SM8050592TP	SCREW				2
92	SM6040602TP	SCREW M4 L=6				2
93	WP0531000SD	WASHER M5				2
94	40072227	BEARING_BUSH				6

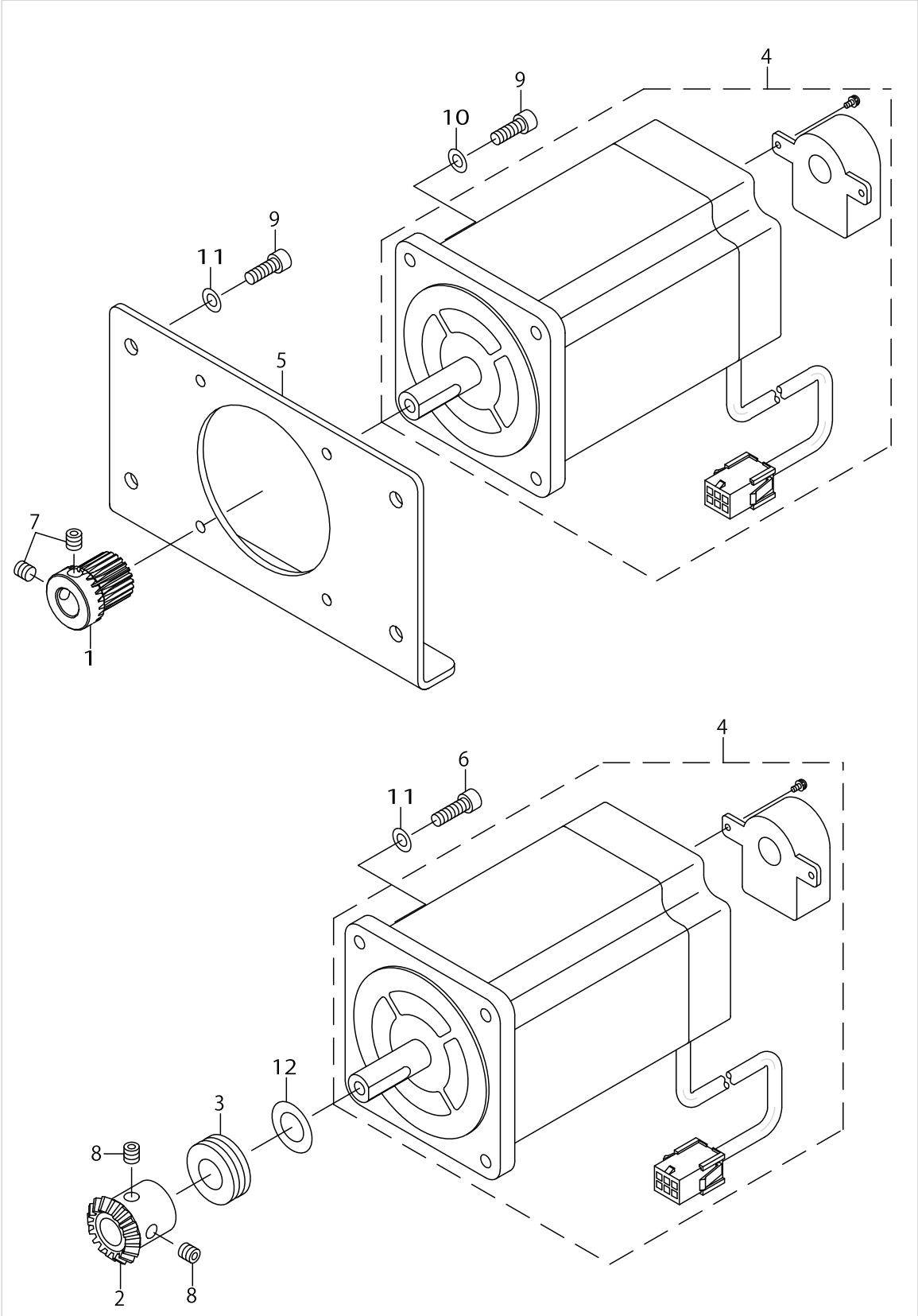
X-Y COMPONENTS (2)(FOR 6030)



X-Y COMPONENTS (2)(FOR 6030)

No.	Parts No.	Parts name	Remarks	Level	Cons	Qty
95	SM8060552TP	SCREW M6 L=5				12
96	WP0320501SD	WASHER				16

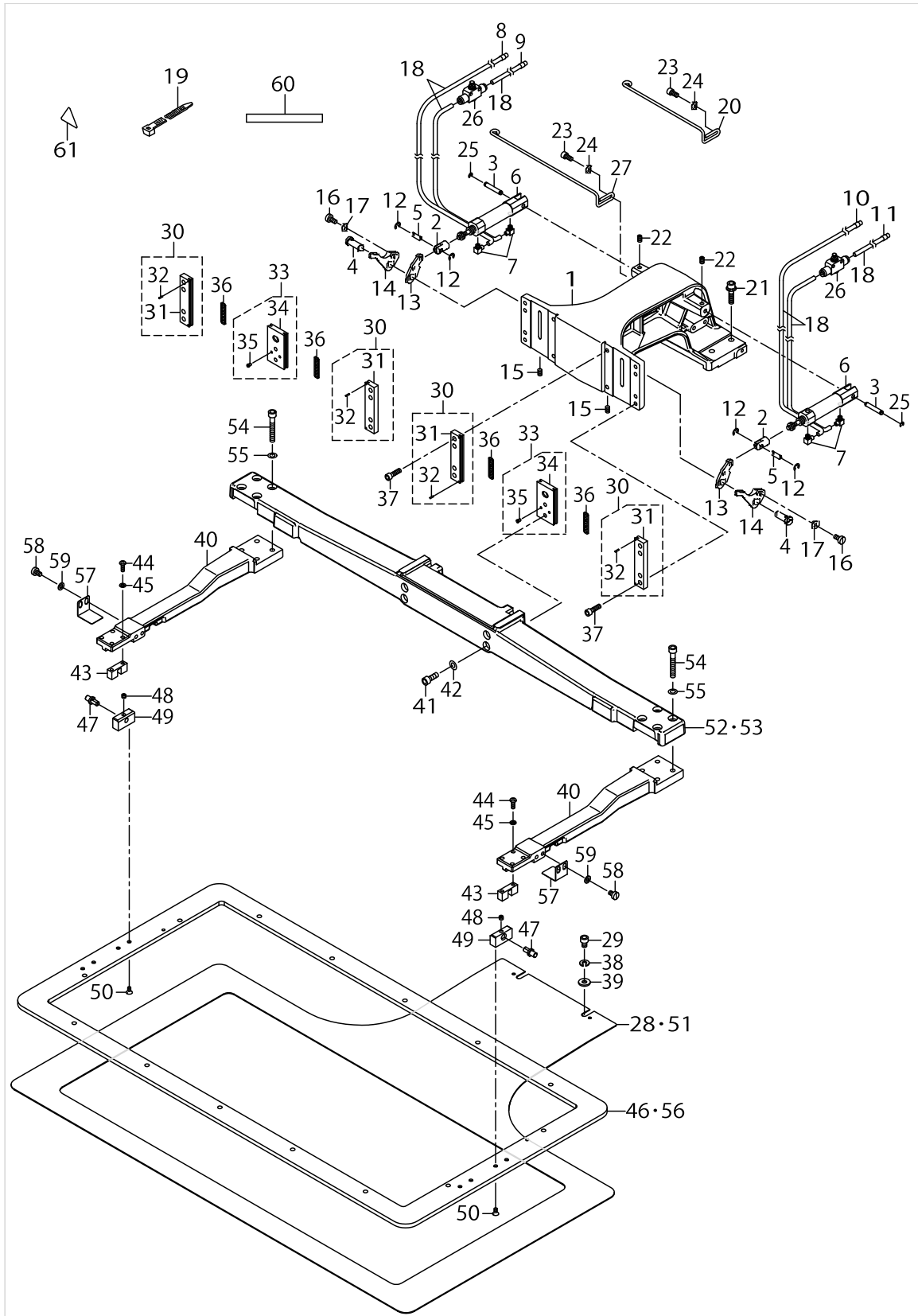
X-Y COMPONENTS (3)



X-Y COMPONENTS (3)

No.	Parts No.	Parts name	Remarks	Level	Cons	Qty
1	B2525223C00	X DRIVE WHEEL				1
2	B2526223C00	Y DRIVE WHEEL				1
3	SB412000100	BEARING				1
4	40104419	ENCODER MOTOR ASM.(X-Y)				2
5	40072155	X MOTOR INSTALLING PLATE				1
6	SM6051602TP	SCREW M5X0.8 L=16				4
7	SM8060602TP	SCREW M6X6				2
8	SM8060602TP	SCREW M6X6				2
9	SM6051402TP	SCREW M5X0.8 L=14				8
10	WP0531000SD	WASHER M5				4
11	WP0531000SD	WASHER M5				8
12	B2537221D00	Y DRIVE WHEEL SPACER				3

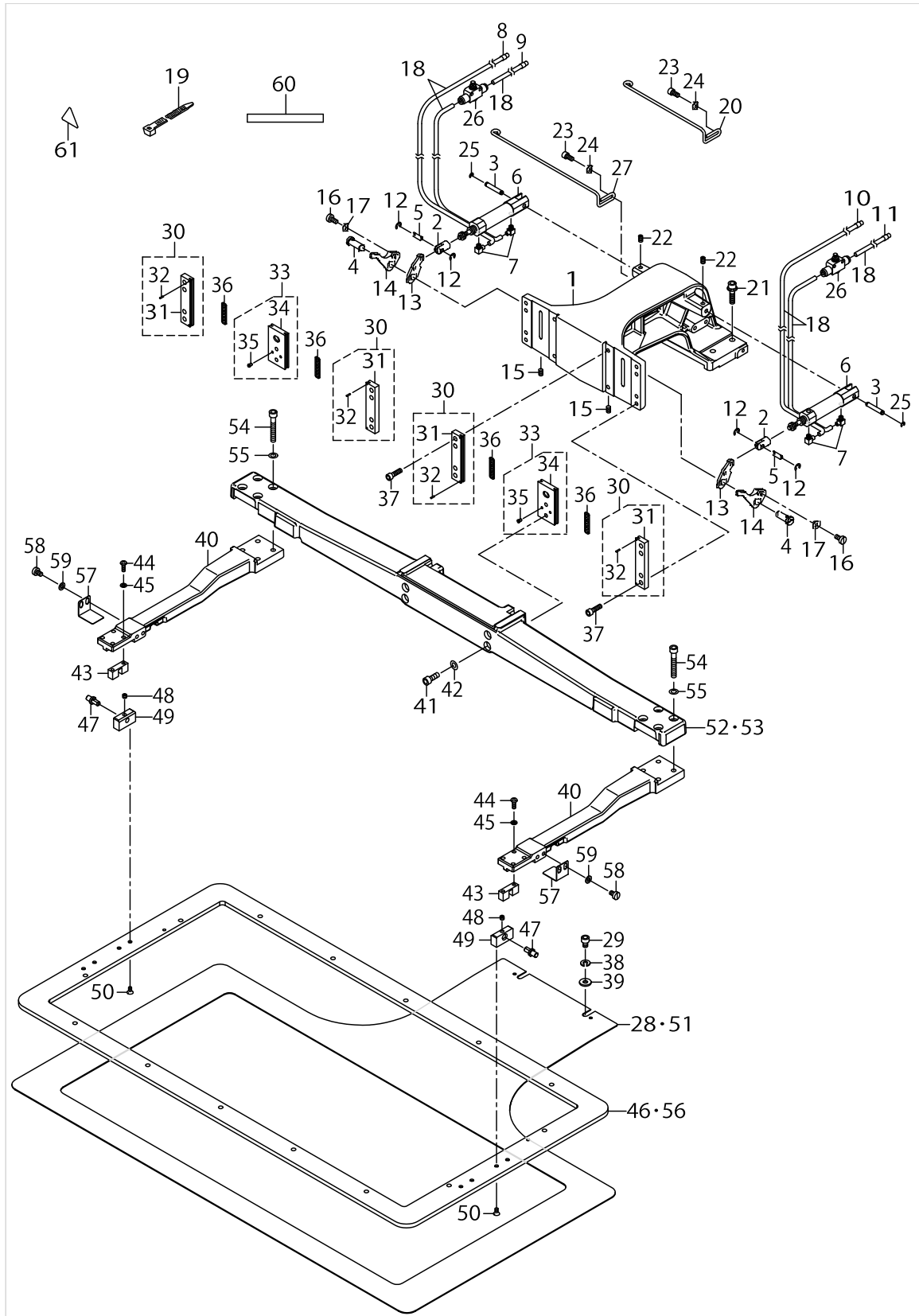
CLOTH FEED MECHANISM COMPONENTS



CLOTH FEED MECHANISM COMPONENTS

No.	Parts No.	Parts name	Remarks	Level	Cons	Qty
1	40072135	CLOTH FEED BASE				1
2	40023644	CYLINDER KNUCKLE				2
3	B1504210000	CONNECTING SHAFT				2
4	26023408	FEED STUD				2
5	40023635	CYLINDER PIN				2
6	PA1602509A0	AIR CYLINDER				2
7	PJ046052503	HOSE ELBOW				4
8	B471122000C	AIR TUBE LABEL J03 LEFT				1
9	B471122000D	AIR TUBE LABEL J04 LEFT				1
10	B471122000G	AIR TUBE LABEL J03 RIGHT				1
11	B471122000H	AIR TUBE LABEL J04 RIGHT				1
12	RE0300000K0	E-RING 3				4
13	40032229	LIFTING_LEVER_A				2
14	40085820	LIFTING_LEVER_B				2
15	SM8050812TP	SCREW M5X8				2
16	SM6051000SP	SCREW				2
17	WP0531000SD	WASHER M5				2
18	BT0400251EB	URETHANE HOSE, BLACK				4
19	HX002330000	CLIP				10
20	B2568223C00	AIR TUBE SUPPORT				1
21	SL6062592TN	SCREW				4
22	SM8050812TP	SCREW M5X8				2
23	SM6051002TP	SCREW M5X0.8 L=10				4
24	WP0531000SD	WASHER M5				4
25	RE0320000K0	E-RING 3.2				2
26	PC012401000	SPEED CONTROLLER				2
27	B2568224C00	AIR TUBE SUPPORT A				1
28	40072136	LOWER PLATE 4530	FOR AMS-224E-4530			1
29	SM6060802TP	SCREW M6 L=8				2
30	B2567223CA0	WORK CLAMP FOOT PLATE B ASM.				4
31	B2567223C00	WORK CLAMP FOOT PLATE B		*		4
32	PS0150065KP	SPRING PIN 1.5X6		*		8
33	40085830	SLIDE_PLATE_ASM.				2
34	40085824	SLIDE_PLATE		*		2
35	B1816280000	GUIDE PIN		*		4
36	B2569229000	SLIDING PLATE BEARING				4
37	SM6051802TP	SCREW M5 L=18				12
38	WS0610002KP	SPRING WASHER				2
39	WP0611626SP	WASHER 15X6X1.6				2
40	40072163	FEEDING_FRAME_ARM_B				2
41	SM6061602TP	SCREW M6 L=16				4
42	WP0641600SC	WASHER 6.4X12.5X1.6				4
43	40051770	FEEDING FRAME BALL CATCH				2
44	SM4041255SP	SCREW M4 L=12				4
45	WP0430800SD	WASHER M4				4
46	40072138	FEEDING FRAME 4530	FOR AMS-224E-4530			1
47	B2560220000	SUPPORT PIN				2

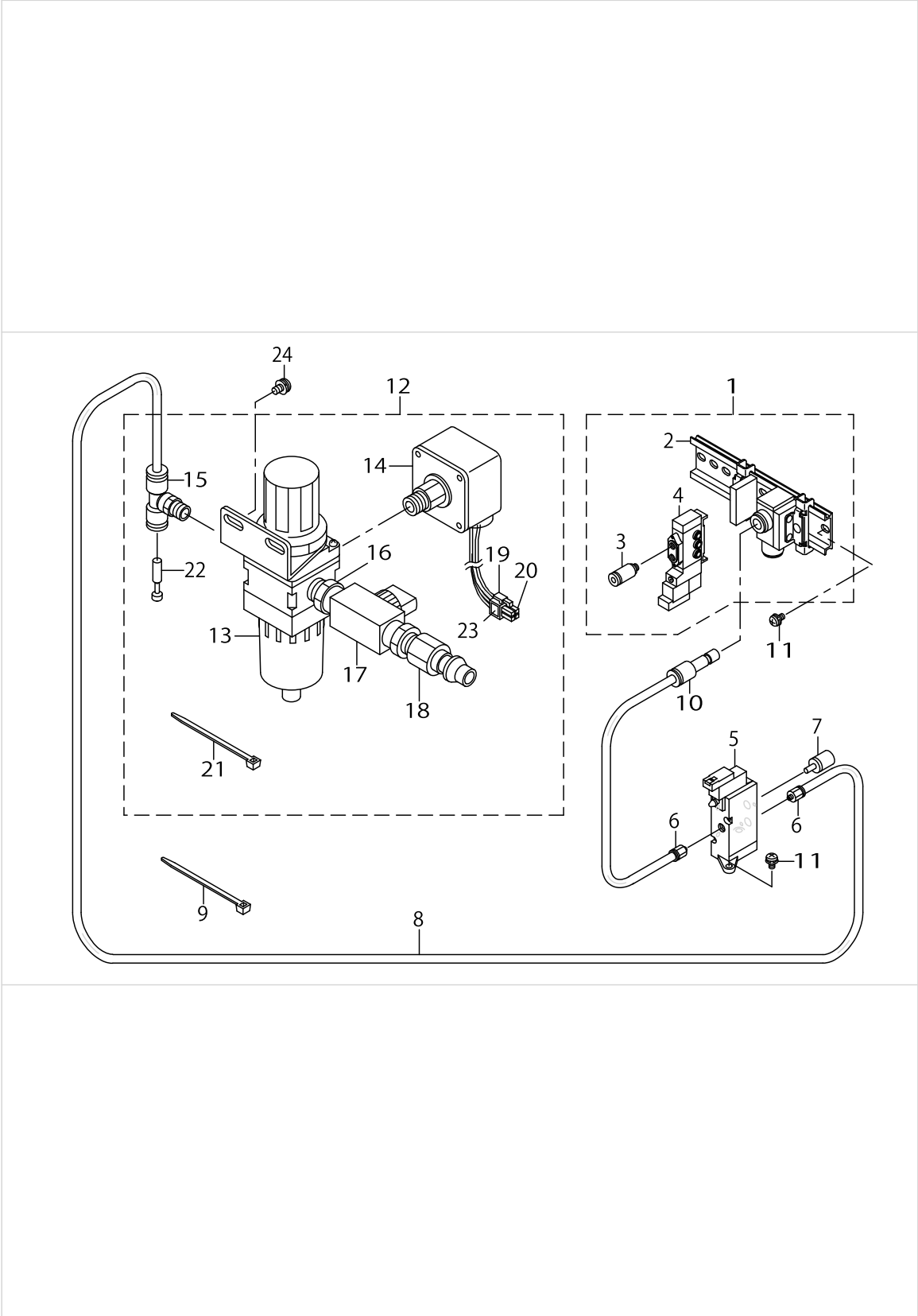
CLOTH FEED MECHANISM COMPONENTS



CLOTH FEED MECHANISM COMPONENTS

No.	Parts No.	Parts name	Remarks	Level	Cons	Qty
48	SM8050412TP	SCREW M5 L=4				2
49	40051769	FEEDING FRAME SUPPORT BEARING				2
50	SM1040870TP	SCREW				4
51	40072137	LOWER PLATE 6030	FOR AMS-224E-6030			1
52	40072161	FEEDING_FRAME_ARM_A_4530	FOR AMS-224E-4530			1
53	40072162	FEEDING_FRAME_ARM_A_6030	FOR AMS-224E-6030			1
54	SM6062502TN	HEXAGONAL-HOLE BOLT				8
55	WP0641600SC	WASHEW 6.4X12.5X1.6				8
56	40072139	FEEDING FRAME 6030	FOR AMS-224E-6030			1
57	B2563215000	FEEDING FRAME HOLDING PLATE				2
58	SM6050800SP	SCREW M5 L=8				4
59	WP0531000SD	WASHER M5				4
60	HX00364000E	PARTS				1.2
61	CM300200003	ATTENTION LABEL	FOR AMS-224E-6030			1

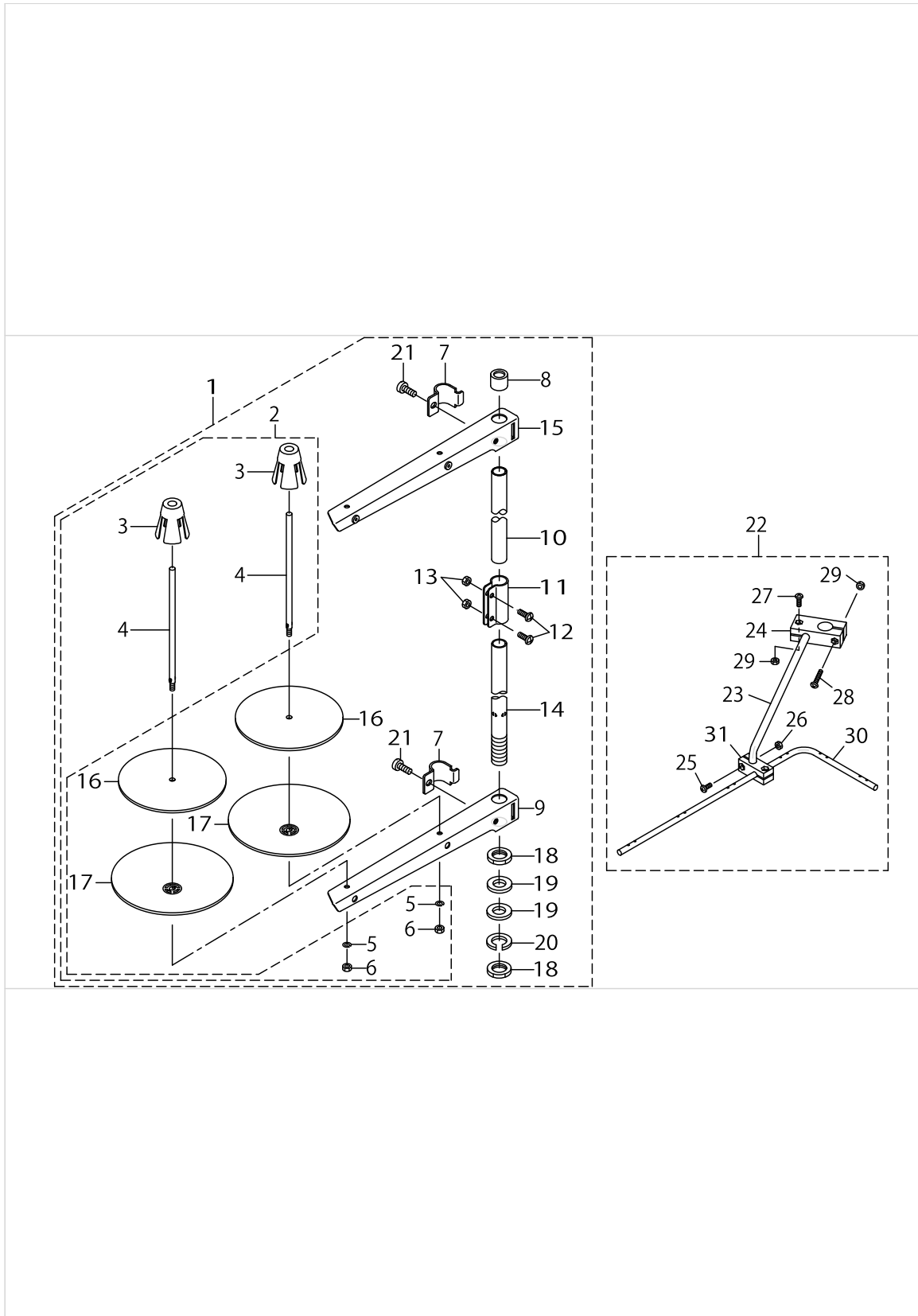
PNEUMATIC COMPONENTS



PNEUMATIC COMPONENTS

No.	Parts No.	Parts name	Remarks	Level	Cons	Qty
1	40072220	SOLENOID_VALVE_ASM				1
2	PV915005000	SOLENOID VALVE INSTALLING BASE		*		1
3	PJ301040505	HALF UNION		*		2
4	PV150209100	SOLENOID VALVE		*		1
5	PV1351270A0	3-WAY SOLENOID VALVE				1
6	PJ301065103	HALF UNION 6XPT1/8				2
7	PX055104000	SILENCER (PT1/8)				1
8	BT0600401EB	TUBE				1.1
9	EA9500B0100	CABLE BAND				1
10	PJ301060003	REDUCER				1
11	SL4040891SC	SCREW M4 L=8				4
12	B47152150A0	FILTER REGULATOR ASM.				1
13	PF0552040B0	FILTER REGULATOR		*		1
14	G8124270000	AIR PRESSUE SWITCH		*		1
15	PJ305065202	TEE		*		1
16	PJ030520001	RING JOINT (NIPPLE)		*		1
17	G5430116000	AIR COCK		*		1
18	PJ309005203	QUICK JOINT PLUG		*		1
19	HK034610040	HOUSING		*		1
20	HK034640000	PIN CONTACT		*		3
21	EA9500B0100	CABLE BAND		*		5
22	PX950009000	PLUG		*		1
23	E2678453000	CONNECTOR MARKER J78		*		1
24	SL4051091SC	SCREW M5X0.8 L=10				2

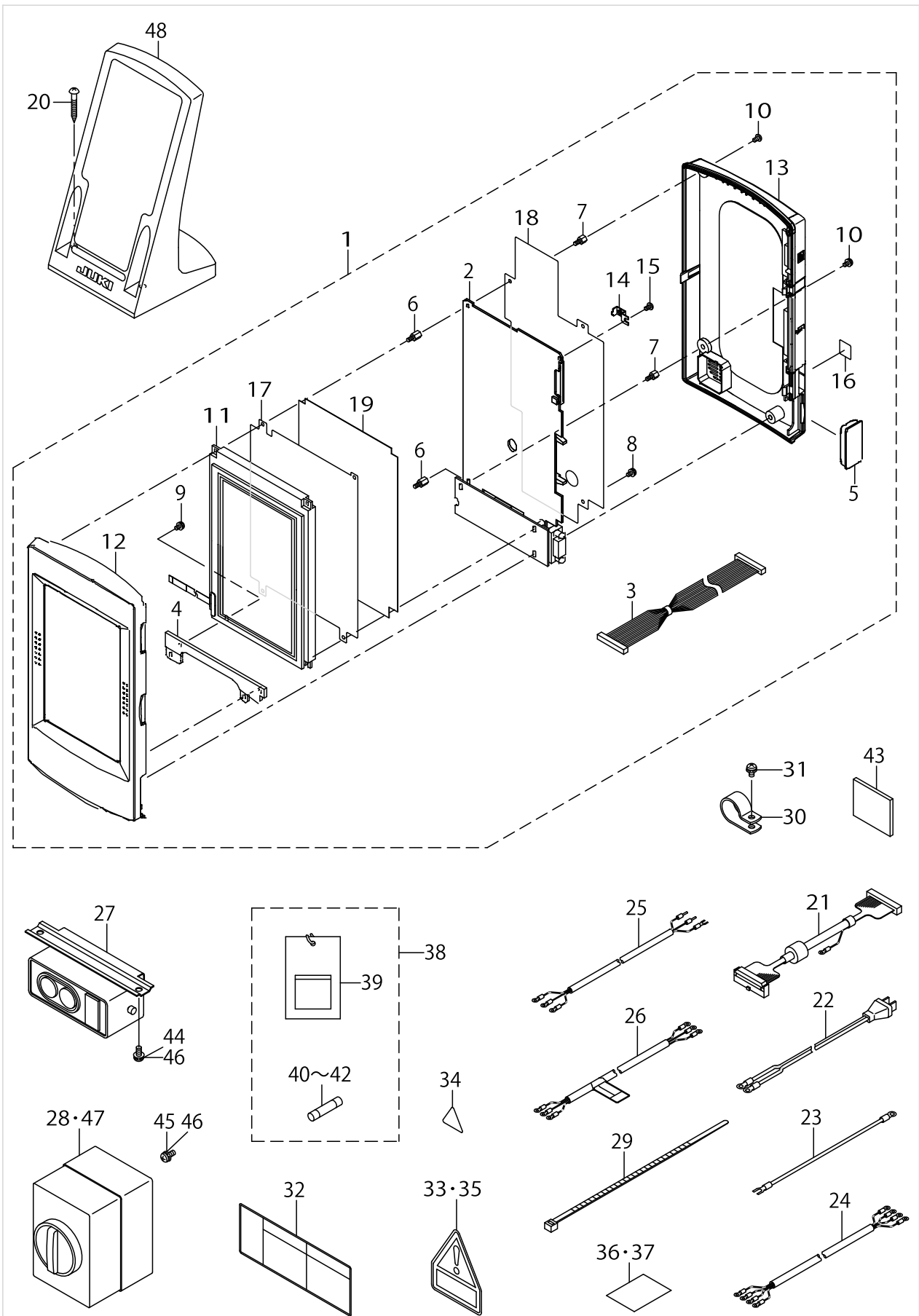
THREAD STAND COMPONENTS



THREAD STAND COMPONENTS

No.	Parts No.	Parts name	Remarks	Level	Cons	Qty
1	22930358	THREAD STAND ASM.				1
2	40062684	SPOOL PIN ASM.		*		1
3	22931109	SPOOL RETAINER		*		2
4	22931000	SPOOL PIN		*		2
5	WS0510002KN	SPRING WASHER		*		2
6	NM6050001SE	NUT M5		*		2
7	22930705	THREAD GUIDE ARM JOINT		*		2
8	22931406	SPOOL REST ROD RUBBER CAP		*		1
9	22930507	SPOOL REST ARM		*		1
10	22930408	SPOOL REST ROD, UPPER		*		1
11	22931307	SPOOL REST ROD JOINT		*		1
12	SM4051405SE	SCREW M5 L=14		*		2
13	NM6050001SE	NUT M5		*		2
14	22930309	SPOOL REST ROD, LOWER		*		1
15	22930556	THREAD STANDING ARM ASM.		*		1
16	22930903	SPOOL REST CUSHION		*		2
17	22930804	SPOOL REST		*		2
18	NM6160511SE	NUT M16X1.5		*		2
19	WP1612616SE	WASHER 16X30X2.6		*		2
20	WS1643202KR	SPRING WASHER		*		1
21	SM6061610SC	SCREW M6 L=16		*		2
22	26910059	THREAD GUIDE ARM ASM.				1
23	13168109	THREAD GUIDE ARM BASE		*		1
24	13168208	THREAD GUIDE ARM BASE		*		1
25	SM4041001SC	SCREW M4X0.7 L=10		*		2
26	NM6040002SE	NUT M4X0.7		*		2
27	SM4041201SC	SCREW M4 L=12		*		1
28	SM4042001SC	SCREW M4 X 20		*		1
29	NM6040002SE	NUT M4X0.7		*		2
30	13167903	THREAD STANDING THREAD GUIDE		*		1
31	13168000	THREAD GUIDE BASE, LOWER		*		1

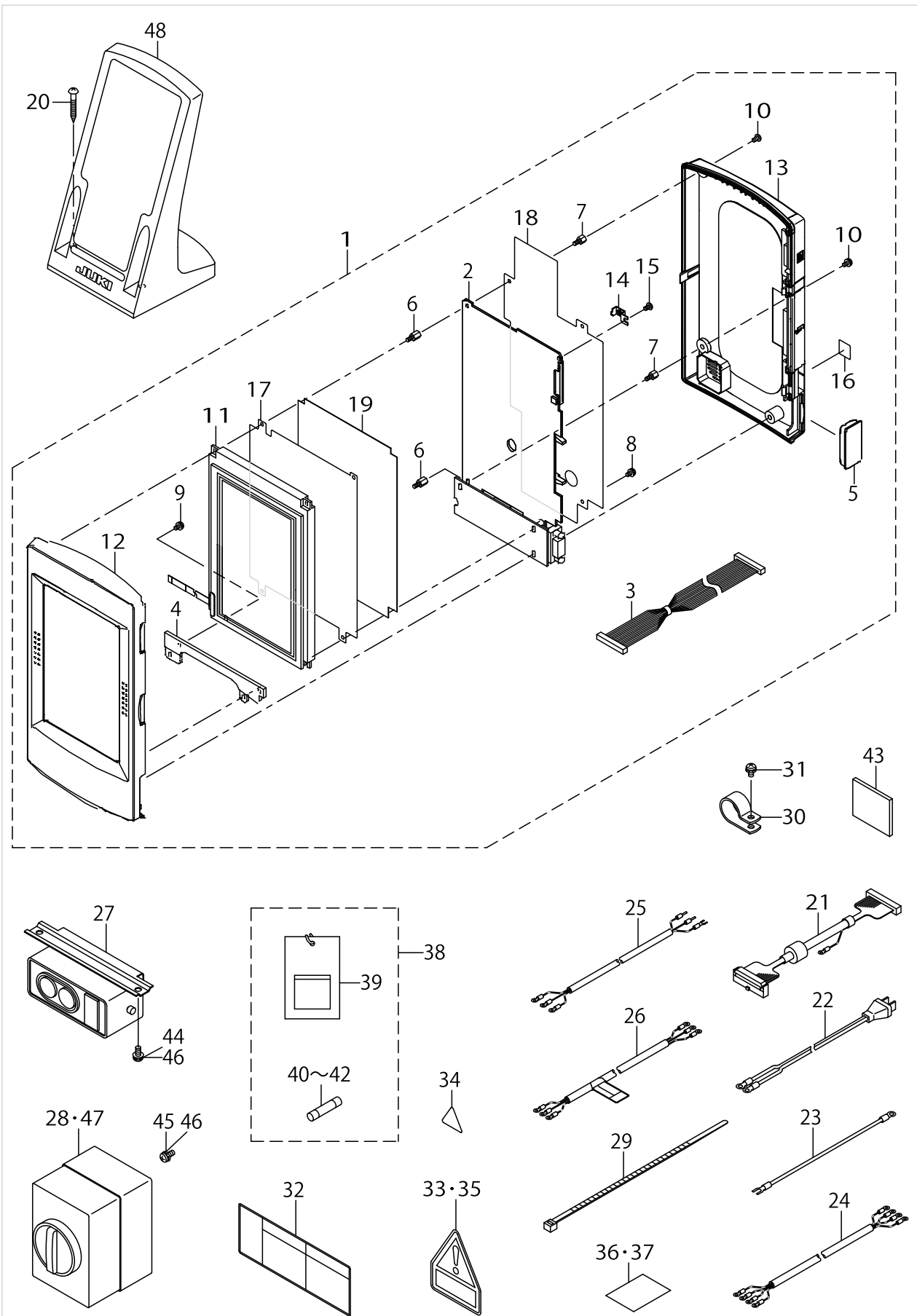
OPERATION PANEL COMPONENTS



OPERATION PANEL COMPONENTS

No.	Parts No.	Parts name	Remarks	Level	Cons	Qty
1	40077848	IP-410H PANEL ASSY				1
2	40076012	PANEL PCB B A ASSY		*		1
3	40000146	LCD CABLE ASSY		*		1
4	40030926	LCD HOLDER BOARD		*		1
5	40005848	D-SUB 9P COVER		*		1
6	HX00354000N	SPACER		*		5
7	HX00354000S	SPACER		*		2
8	SL4030691SC	SCREW M3X6		*		1
9	SL4030691SC	SCREW M3X6		*		2
10	SM4030501SF	SCREW M3 L=5		*		4
11	40051330	IP-410_LCD_ASSY		*		1
12	40046076	IP-410_FRONT_CASE_ASSY		*		1
13	40076009	REAR CASE B ASSY		*		1
14	40044971	REAR_CASE_PLATE		*		1
15	SM4030501SF	SCREW M3 L=5		*		1
16	CM600100101	WEEE MARK LABEL S		*		1
17	40076031	EMC SHIELDING SHEET C		*		1
18	40076032	EMC SHIELDING SHEET D		*		1
19	40000140	ISOLATION_SHEET		*		1
20	SK3413201SE	WOOD SCREW D=4.1 L=32				2
21	40073679	PANEL CABLE ASSY L				1
22	M90355800A0	POWER SOURCE CORD ASM.	FOR USE IN JAPAN(1-PHASE 100V)			1
23	M90345800A0	GROUND CORD ASM.	FOR USE IN JAPAN(1-PHASE 100V)			1
24	40079638	POWER CABLE ASM.	FOR USE IN JAPAN(3-PHASE 2-00V), JUS(3-PHASE 220V)			1
25	40079639	JE POWER CABLE ASM	FOR CE(1-PHASE 230V)			1
26	40079640	SINGLE PHASE POWER CORD ASSY	GENERAL EXPORT (1-PHASE 220V/230V/240V)			1
27	HA004250000	SWITCH	EXCEPT CE(1-PHASE 230V)			1
28	HA005820000	SWITCH	FOR CE(1-PHASE 230V),4530			1
29	HX00065000A	CABLE CLIP				2
30	HX00150000J	CLIP				2
31	SL4040691SC	SCREW M4 L=6				2
32	CM300100401	LABEL 3 (LARGE)	FOR USE IN JAPAN (1-PHASE 1-00V,3-PHASE 200V), JUS(3-PHASE 220V)			1
33	CM300400701	VOLTAGE CAUTION LABEL	FOR USE IN JAPAN(3-PHASE 2-00V), JUS(3-PHASE 220V)			1
34	CM300100003	VOLTAGE WARNING LABEL(25)	FOR CE(1-PHASE 230V), GENERAL EXPORT (1-PHASE 220V/230V/240V)			1
35	CM300400601	VOLTAGE CAUTION LABEL	FOR CE(1-PHASE 230V), GENERAL EXPORT (1-PHASE 220V/230V/240V)			1
36	BME01100000	VOLTAGE INDICATION SEAL	FOR USE IN JAPAN(1-PHASE 100V)			1
37	BME03200000	VOLTAGE INDICATION SEAL	FOR USE IN JAPAN(3-PHASE 2-00V), JUS(3-PHASE 220V)			1
38	40074051	OPTION A ASSY				1
39	M300451100A	VOLTAGE INDICATION CARD,A		*		1
40	HF00130315S	FUSE 3.15A 250V REF. NO.112		*		1
41	HF003000200	FUSE 2A (220/240V)		*		1
42	HF0013050P0	FUSE 5A		*		1
43	40050647	COMPACTFLASH(TM) SET AMS221E				1
44	SL4040891SC	SCREW M4 L=8	FOR 4530			2

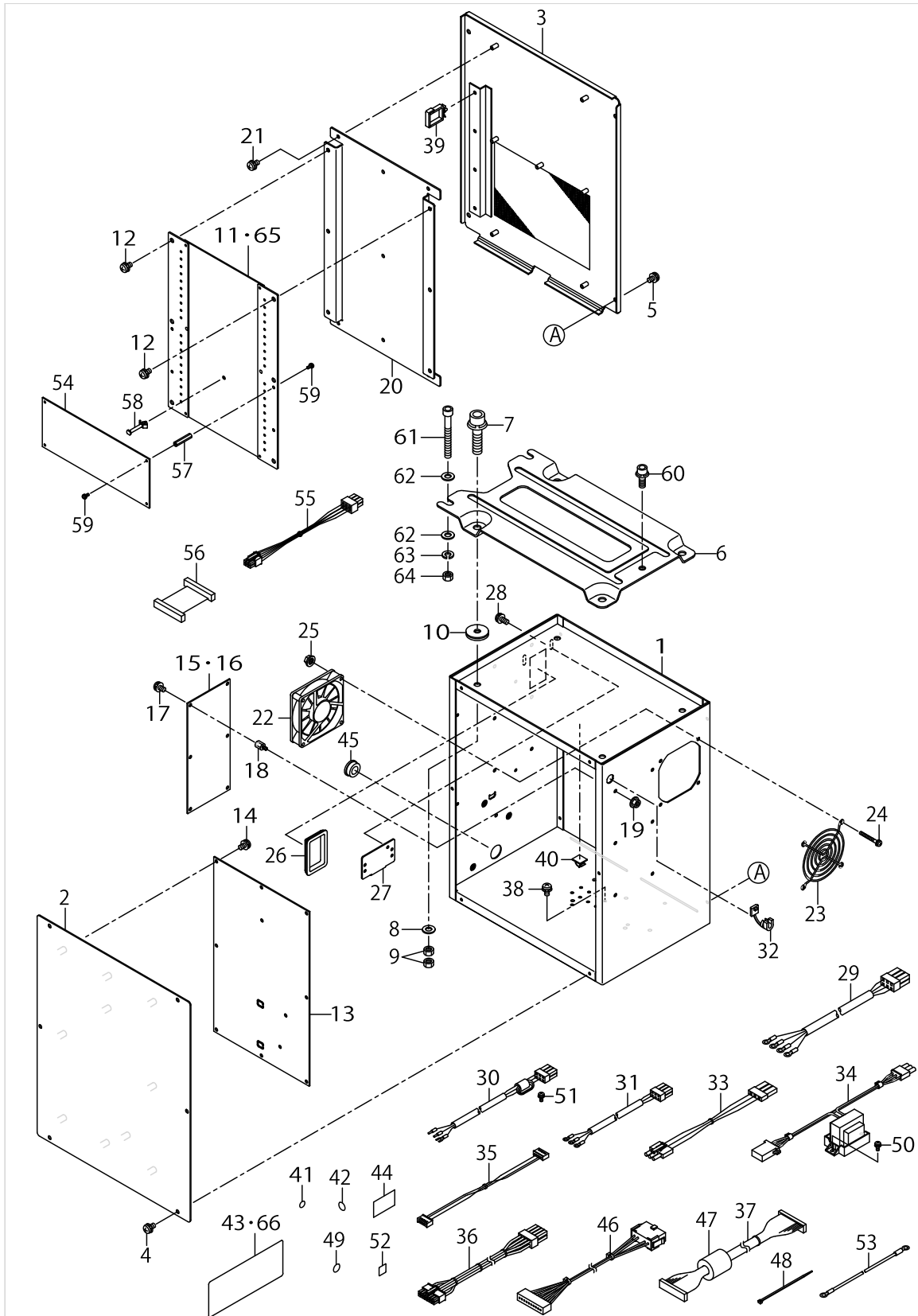
OPERATION PANEL COMPONENTS



OPERATION PANEL COMPONENTS

No.	Parts No.	Parts name	Remarks	Level	Cons	Qty
45	SL4041091SC	SCREW M4 L=10	FOR CE(1-PHASE 230V)			2
46	SK3512001SE	WOOD SCREW D=5.1 L=20	FOR 6030			2
47	M85125810A0	POWER SWITCH ASM.	FOR 6030			1
48	40035024	OPERATION_BOX_FIXED_PLATE(B) ASM.				1

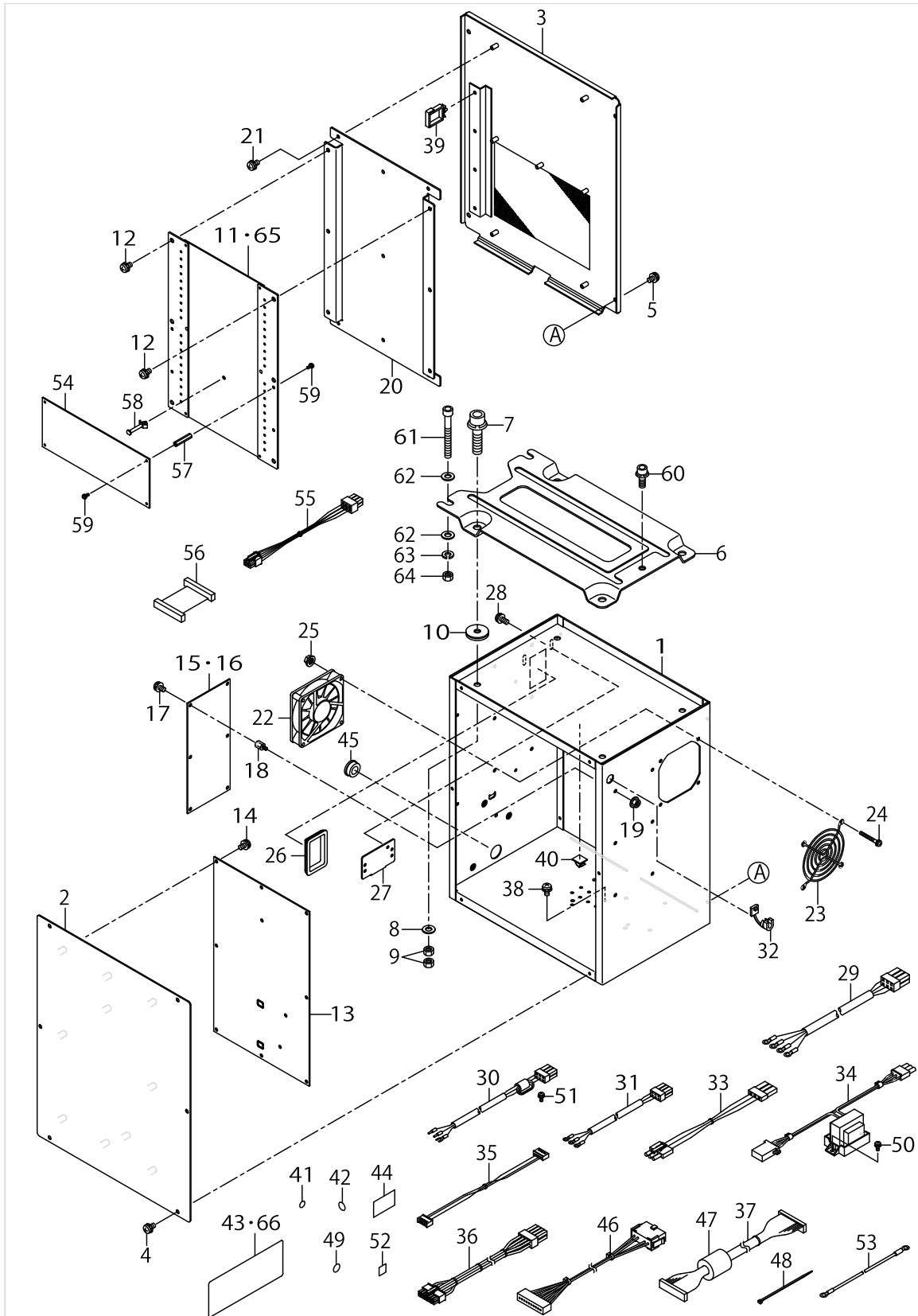
CONTROL BOX COMPONENTS



CONTROL BOX COMPONENTS

No.	Parts No.	Parts name	Remarks	Level	Cons	Qty
1	40055355	CONTROL BOX				1
2	40055356	CONTROL BOX FRONT COVER				1
3	40055357	CONTROL BOX REAR COVER				1
4	SL4040891SC	SCREW M4 L=8				6
5	SL4040891SC	SCREW M4 L=8				4
6	M3801476000	CONTROL BOX FITTING PLATE				1
7	SL6083092TN	SCREW				4
8	WP0841601SC	WASHER 8.4X17.4X1.6				4
9	NM6080001SC	NUT M8X1.25				8
10	M4206461000	WASHER				4
11	40073650	MAIN PCB ASSY	FOR 4530			1
12	SL4040891SC	SCREW M4 L=8				6
13	40000029	SDC PCB A ASS'Y				1
14	SL4040881SC	SCREW M4 L=8				10
15	40000056	FLT-T PCB A ASS'Y	FOR USE IN JAPAN (1-PHASE 10-0V,1-PHASE 200V), JUS(3-PHASE 200V)			1
16	40000046	FLT-S PCB A ASS'Y	FOR CE,GENERAL EXPORT			1
17	SL4040881SC	SCREW M4 L=8				6
18	HX003390000	STUD				6
19	NM3040520SC	NUT M4				6
20	40005706	MAIN PCB HOLDER PLATE				1
21	SL4040881SC	SCREW M4 L=8				5
22	40005401	FAN MOTOR ASS'Y				1
23	KM000000480	FAN MOTOR				1
24	SL4043591SC	SCREW				4
25	NM3040520SC	NUT M4				4
26	HX004070000	BUSH				1
27	17845009	CORD FITTING PLATE				1
28	SL4041091SC	SCREW M4 L=10				2
29	40073683	POWER CORD 3P ASSY	FOR USE IN JAPAN (1-PHASE 10-0V,1-PHASE 200V), JUS(3-PHASE 200V)			1
30	40005392	POWER CORD 1P ASS'Y	FOR CE			1
31	40073684	POWER CORD 1P 220V ASSY	GENERAL EXPORT			1
32	HX00410000A	STRAIN RELIEF BUSHING				1
33	40005393	FLT-SDC CORD P ASS'Y	FOR USE IN JAPAN (1-PHASE 10-0V,1-PHASE 200V), JUS(3-PHASE 200V), GENERAL EXPORT			1
34	40012038	REACTOR CORD ASSY	FOR CE			1
35	40005394	FLT-SDC CORD S ASS'Y				1
36	40005726	SDC-MAIN CORD P ASSY				1
37	40005727	SDC-MAIN CORD S ASSY				1
38	SL4040891SC	SCREW M4 L=8				4
39	HX005110000	WIRE SADDLE				3
40	E9607603000	STICKER (SMALL)				1
41	E9567319000	EARTH MARK				1
42	40003458	MASK SEAL				16
43	40051640	ELECTRICAL_RATING_LABEL_UNIVERSAL	FOR USE IN JAPAN (1-PHASE 10-0V,1-PHASE 200V), JUS(3-PHASE 200V), GENERAL EXPORT			1
44	40018948	MASK SEAL R				1

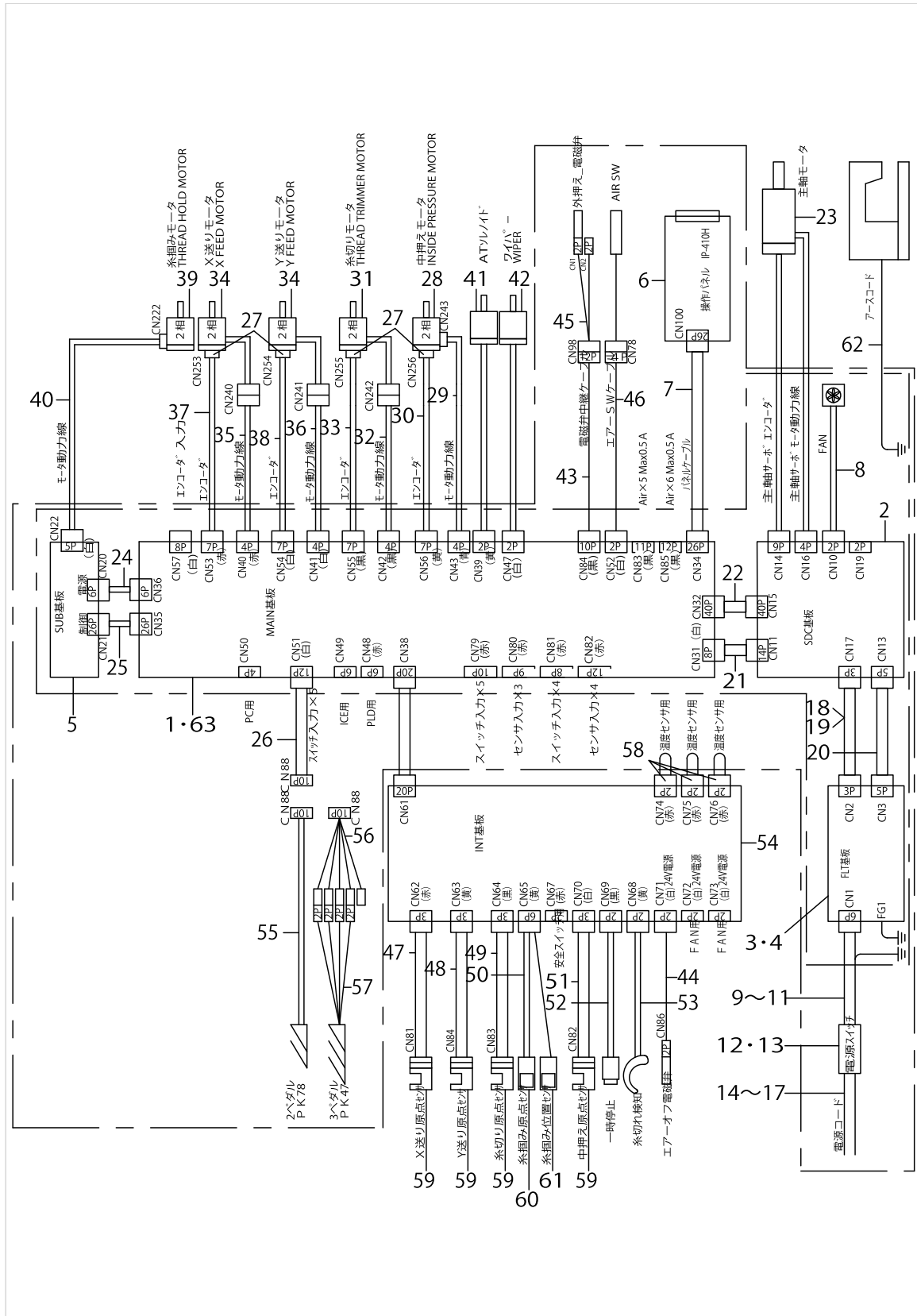
CONTROL BOX COMPONENTS



CONTROL BOX COMPONENTS

No.	Parts No.	Parts name	Remarks	Level	Cons	Qty
45	HX00326000K	GROMMET				1
46	40073659	SW RELAY CORD ASM.				1
47	HN001490000	CLAMP FILTER(L)				1
48	EA9500B0100	CABLE BAND				1
49	CM200100001	PE MARK LABEL	FOR CE			1
50	SL4041091SC	SCREW M4 L=10	FOR CE			2
51	SL4041081SC	SCREW M4 L=10	FOR CE			1
52	CM600100101	WEEE MARK LABEL S	FOR CE			1
53	M90295800A0	FDD EARTH CORD ASM.				1
54	40073651	SUB PCB ASSY				1
55	40062367	SUB-MAIN CORD P ASSY				1
56	40062368	SUB-MAIN CORD S ASSY				1
57	HX00418000E	SPACER				4
58	HX00147000J	SPACER				1
59	SL4030881SC	SCREW M3X8				8
60	SL6082092TN	BOLT				1
61	SM6087002TN	SCREW M8 L=70				2
62	WP0841601SC	WASHER 8.4X17.4X1.6				4
63	WS0820002KN	SPRING WASHER M8				2
64	NM6080001SC	NUT M8X1.25				2
65	40077782	MAIN PCB ASSY	FOR 6030	6030用		1
66	40057278	ELECTRICAL_RATING_LABEL_CE_UNIVERSAL	FOR CE			1

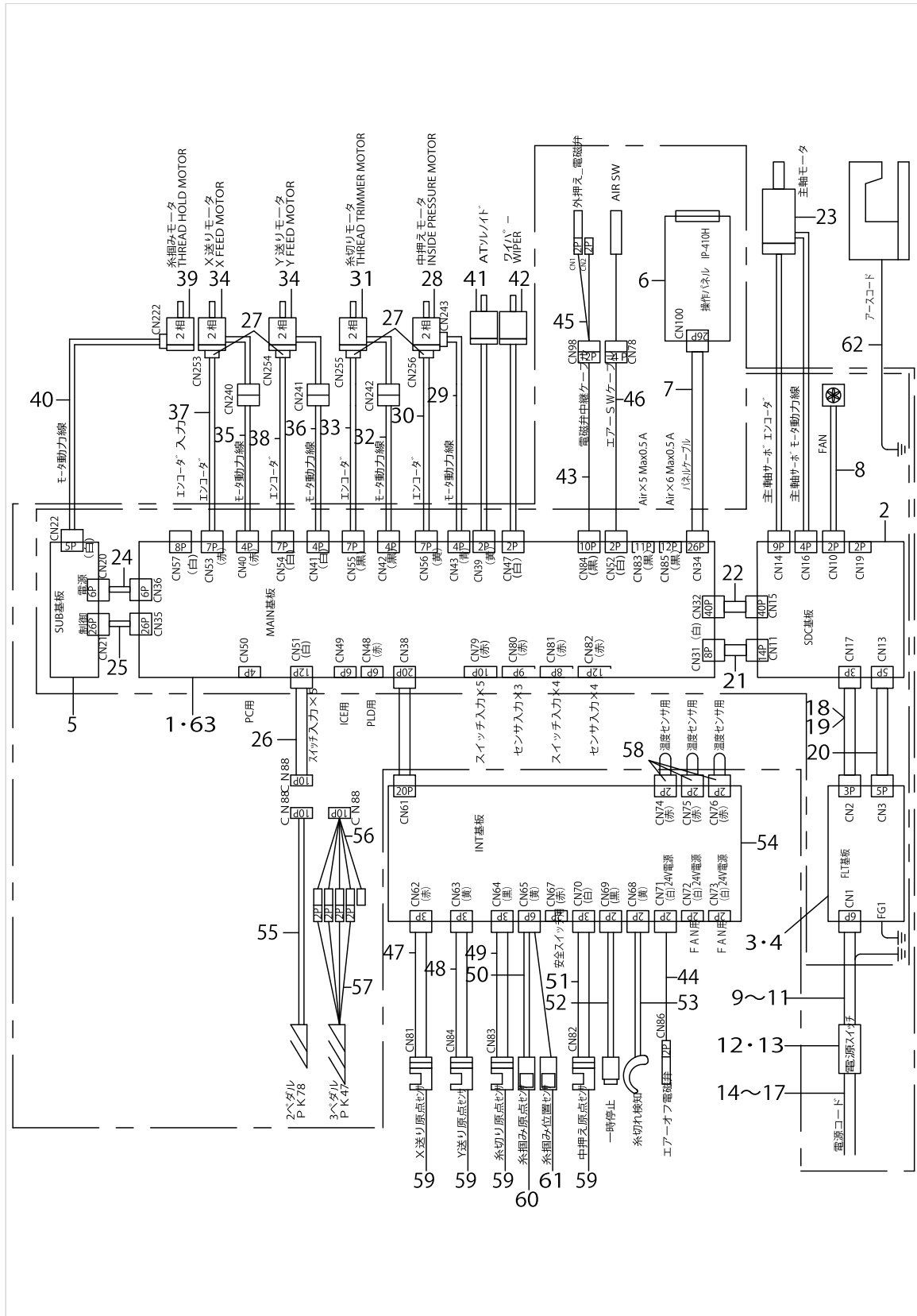
WIRING DIAGRAM



WIRING DIAGRAM

No.	Parts No.	Parts name	Remarks	Level	Cons	Qty
1	40073650	MAIN PCB ASSY	FOR 4530			1
2	40000029	SDC PCB A ASS'Y				1
3	40000056	FLT-T PCB A ASS'Y	FOR 1-PHASE/3-PHASE			1
4	40000046	FLT-S PCB A ASS'Y	FORCE,GENERALEXPORT			1
5	40073651	SUB PCB ASSY				1
6	40077848	IP-410H PANELASSY				1
7	40073679	PANEL CABLE ASSY L				1
8	40005401	FAN MOTOR ASS'Y				1
9	40073683	POWER CORD 3P ASSY	FOR 1-PHASE/3-PHASE			1
10	40005392	POWER CORD 1P ASS'Y	FOR CE			1
11	40073684	POWER CORD 1P 220V ASSY	GENERAL EXPORT			1
12	HA004250000	SWITCH	FOR 1-PHASE/3-PHASE, GENERAL EXPORT			1
13	HA005820000	SWITCH	FOR CE			1
14	M90355800A0	POWER SOURCE CORD ASM.	FOR USE IN JAPAN (1-PHASE 100V)			1
15	M90175800A0	POWER CABLE ASM.	FOR 3-PHASE			1
16	40005390	JE POWER CABLE ASM	FOR CE			1
17	40023371	SINGLE PHASE POWER CORD ASSY	GENERAL EXPORT			1
18	40005393	FLT-SDC CORD P ASS'Y	FOR 1-PHASE/3-PHASE, GENERAL EXPORT			1
19	40012038	REACTOR CORD ASSY	FOR CE			1
20	40005394	FLT-SDC CORD S ASS'Y				1
21	40005726	SDC-MAIN CORD P ASSY				1
22	40005727	SDC-MAIN CORD S ASSY				1
23	40052937	550W_SERVO_MOTOR				1
24	40062367	SUB-MAIN CORD P ASSY				1
25	40062368	SUB-MAIN CORD S ASSY				1
26	40073659	SW RELAY CORD ASM				1
27	HD002780000	SENSOR				4
28	40103969	ENCODER MOTOR ASM.(IP)				1
29	40073623	IP MOTOR CABLE ASM				1
30	40073640	IP ENCODER CABLE ASM				1
31	40103968	ENCODER MOTOR ASM.(TC)				1
32	40073622	TT MOTOR CABLE ASM				1
33	40073639	TT ENCODER CABLE ASM				1
34	40104419	ENCODER MOTOR ASM.(X-Y)				2
35	40073620	X MOTOR CABLE ASM				1
36	40073621	Y MOTOR CABLE ASM				1
37	40073632	X ENCODER CABLE ASM				1
38	40073638	Y ENCODER CABLE ASM				1
39	40075079	STEPPING MOTOR				1
40	40073626	TH MOTOR CABLE ASM				1
41	40073660	AT SOLENOID				1
42	40072151	WIPER ASM				1
43	40073681	AIR RELAY CABLE ASM				1
44	40090484	VALVE CORD ASM.				1
45	40048529	VALVE RERAY COAD ASM				1
46	40075391	AIR SW CABLE ASM				1

WIRING DIAGRAM



WIRING DIAGRAM

No.	Parts No.	Parts name	Remarks	Level	Cons	Qty
47	40073671	X SENSOR CABLE ASM				1
48	40073672	Y SENSOR CABLE ASM				1
49	40040238	PF_SENSOR_CABLE_ASM				1
50	40073674	TH SENSOR ASM				1
51	40073675	IP_SENSOR_CABLE_ASM.				1
52	40073676	STOP SW ASM				1
53	40073678	THB SENSOR CABLE ASM				1
54	40040230	INT PCB ASM				1
55	40033831	PK78 PEDAL SWITCH ASM				1
56	40033875	PK47 RELAY CABLE ASM	OPTIONAL PARTS			1
57	GPK470010AB	3-PEDAL ASM.	OPTIONAL PARTS			1
58	40040237	SHORT CONNECTOR				3
59	HD00057000A	PHOTO SENSOR				3
60	HD00204000A	SENSOR				1
61	HD00204000B	SENSOR				1
62	14115554	HEAD GROUND CABLE A ASM.				1
63	40077782	MAIN PCB ASSY	FOR 6030			1

TABLE COMPONENTS

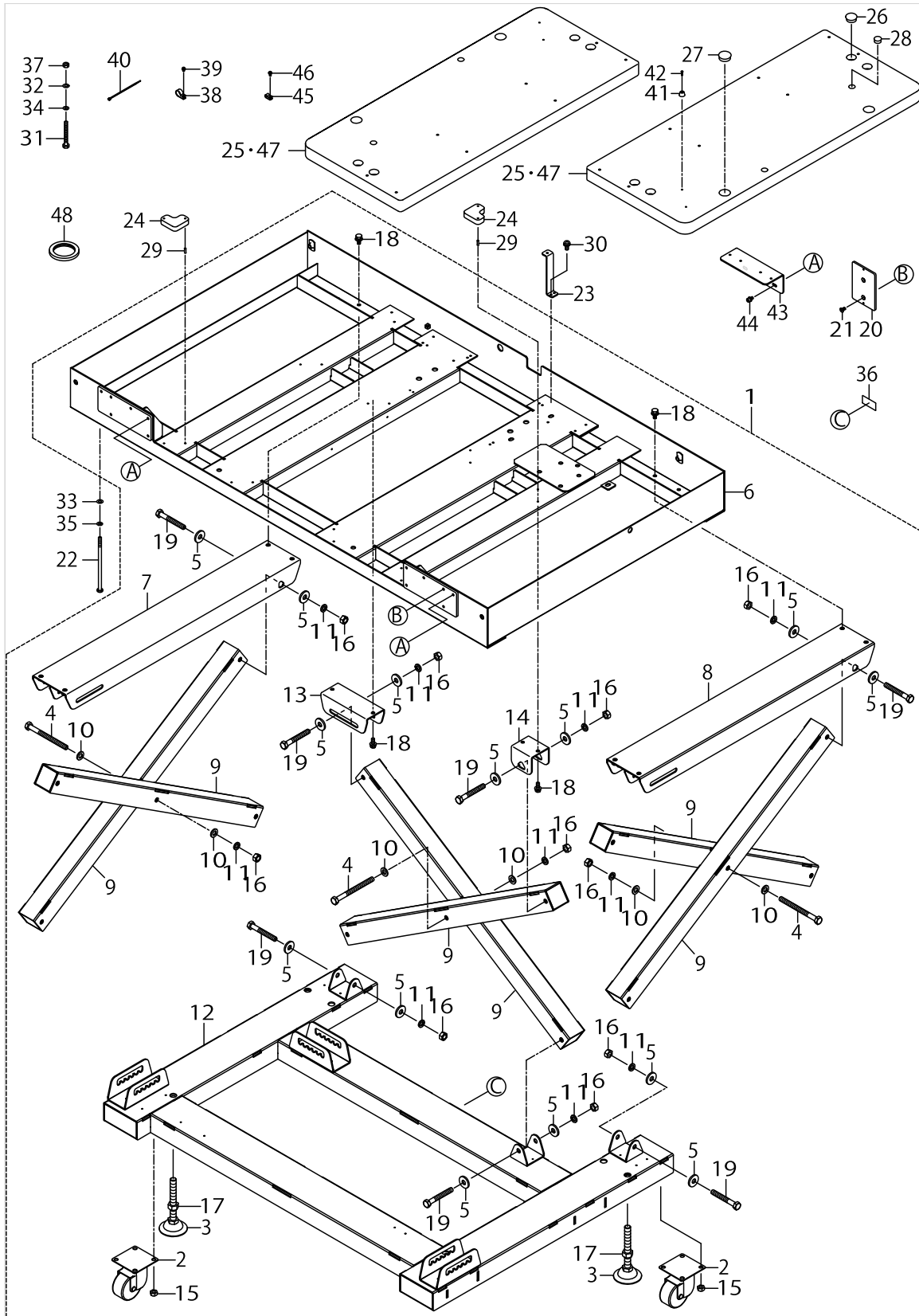


TABLE COMPONENTS

No.	Parts No.	Parts name	Remarks	Level	Cons	Qty
1	40072145	STAND ASM				1
2	40072077	CASTER		*		4
3	40072087	ADJUSTER		*		4
4	40072206	BOLT		*		3
5	40072223	WASHER LARGE		*		24
6	40073222	UPPER_STAND		*		1
7	40073224	TOP_BASE_L		*		1
8	40073225	TOP_BASE_R		*		1
9	40073226	CROSS_LEG		*		6
10	WP1302501SC	WASHER 13X24X2.5		*		6
11	WS1220002KN	SPRING WASHER		*		15
12	40073227	BASE		*		1
13	40073230	BRACKET_BT		*		1
14	40073231	BRACKET_B		*		1
15	NM6100001SE	NUT FOR SPRING ADJUSTING BOLT		*		16
16	NM6120001SE	NUT M12		*		15
17	NM6160001SC	NUT		*		4
18	SL9082093SE	SCREW		*		12
19	SM9129013SB	SCREW M12 L=90		*		12
20	40073216	SW_BASE_JE	FOR JE(4530)			1
21	SM1061201SN	SCREW M6 L=12	FOR JE(4530)			2
22	B8117223C00	BOLT				4
23	B8118223C00	COVER INSTALLING STAY				4
24	B8171220000	RUBBER ABSORBER				4
25	40072146	TABLE				2
26	HX00326000B	BUSH				5
27	HX00326000M	DOME PLUG				3
28	HX00326000G	PLUG				3
29	PS0400141KH	SPRING PIN 4X14				8
30	SL4041091SC	SCREW M4 L=10				8
31	SM9087533SC	SCREW M8 L=75				2
32	WP0841601SC	WASHER 8.4X17.4X1.6				2
33	WP0841601SC	WASHER 8.4X17.4X1.6				4
34	WS0820002KN	SPRING WASHER M8				2
35	WS0820002KN	SPRING WASHER M8				4
36	16870206	GRAVITY SEAL				2
37	NM6080001SC	NUT M8X1.25				2
38	HX00150000H	CABLE CLIP				3
39	SL4040891SC	SCREW M4 L=8				3
40	EA9500B0100	CABLE BAND				2
41	40072231	STOPPER_RUBBER				2
42	SK3271301SE	WOOD SCREW D=2.7 L=13				2
43	40073215	SW_BASE	FOR ST(4530)			1
44	SL6061292TN	SCREW	FOR ST(4530)			2
45	HX00150000B	CABLE CLIP				1
46	SL4041091SC	SCREW M4 L=10				1
47	40089584	TABLE ASM.	FOR CA			2

TABLE COMPONENTS

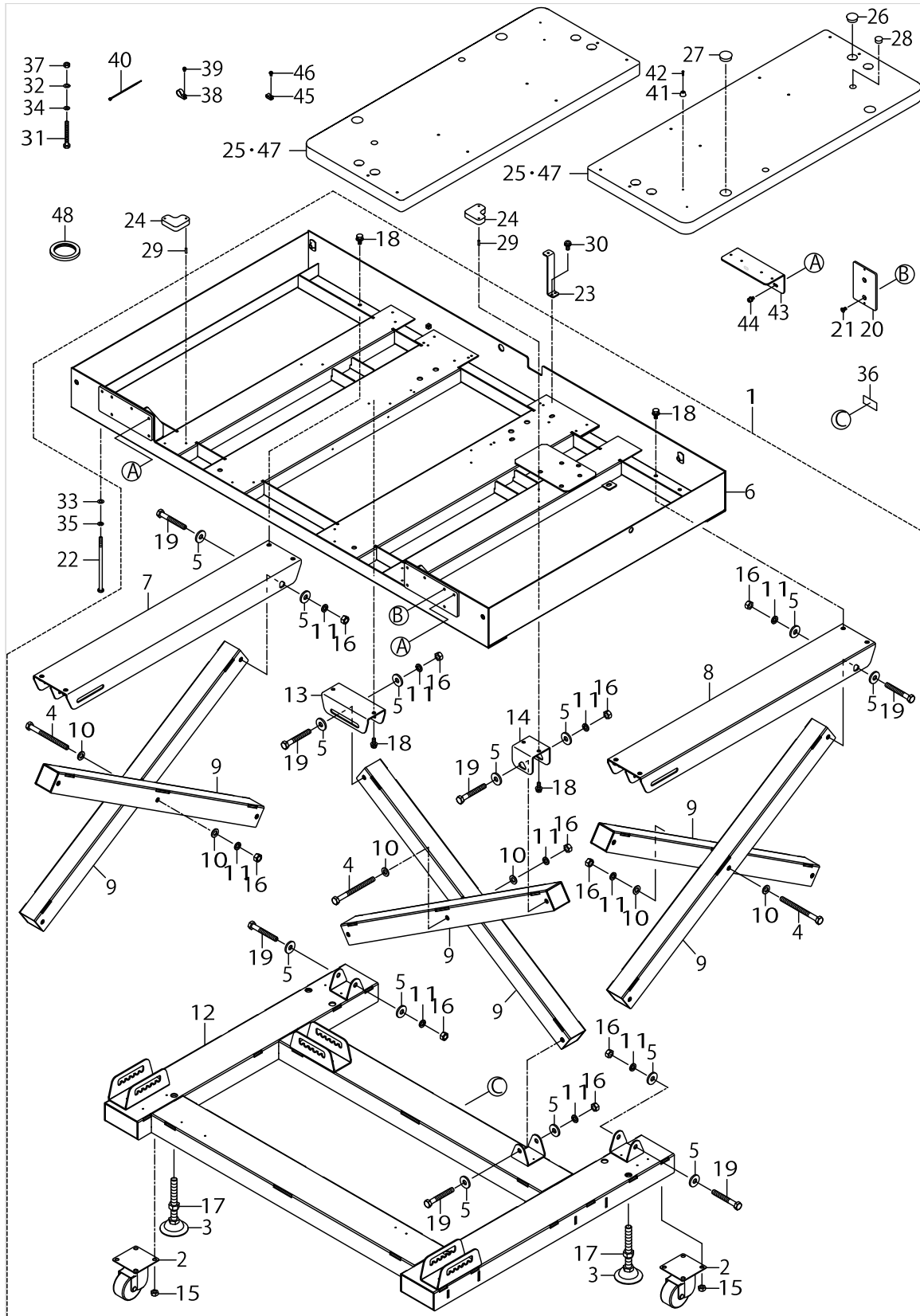
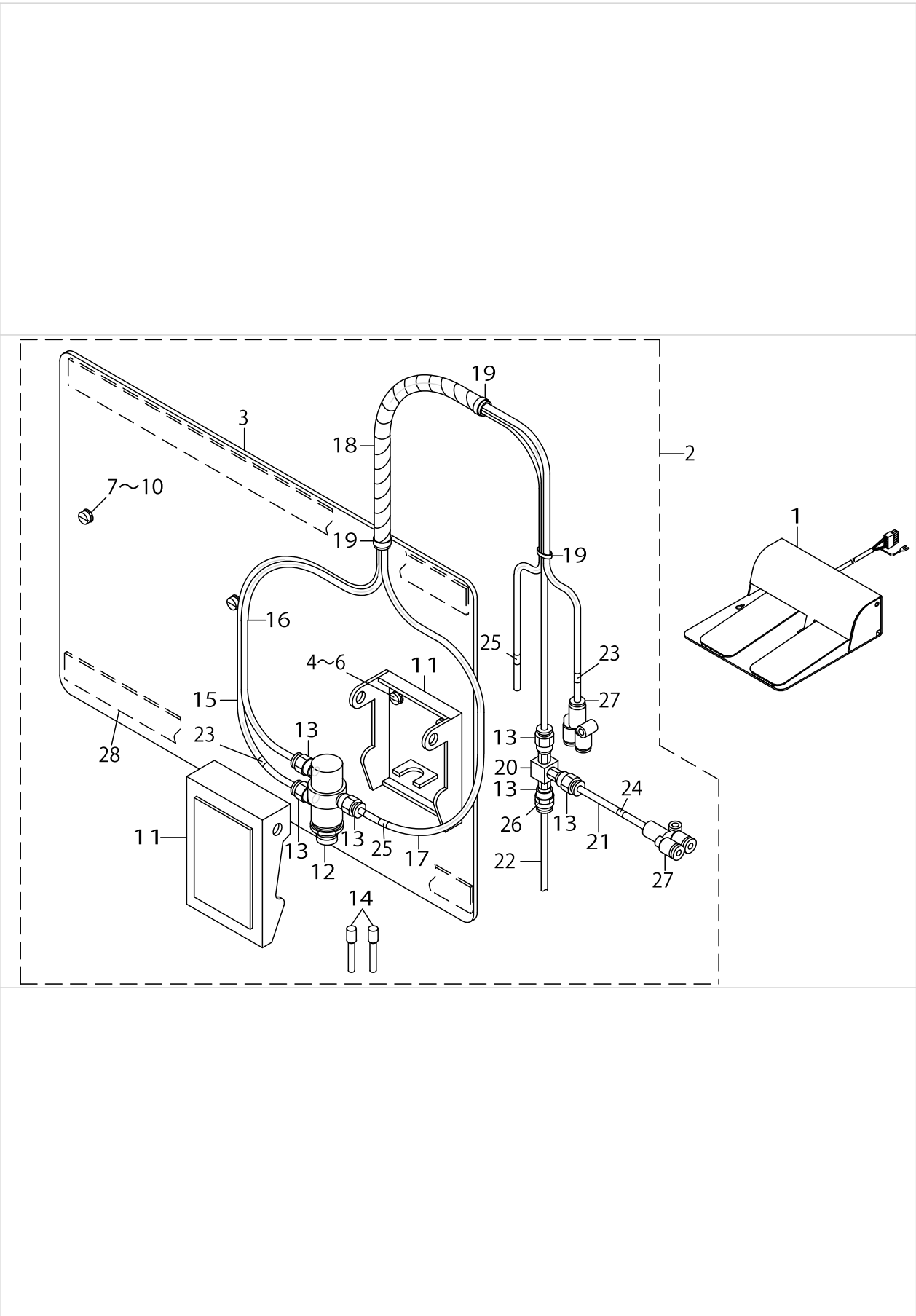


TABLE COMPONENTS

No.	Parts No.	Parts name	Remarks	Level	Cons	Qty
48	40090431	RUBBER				4

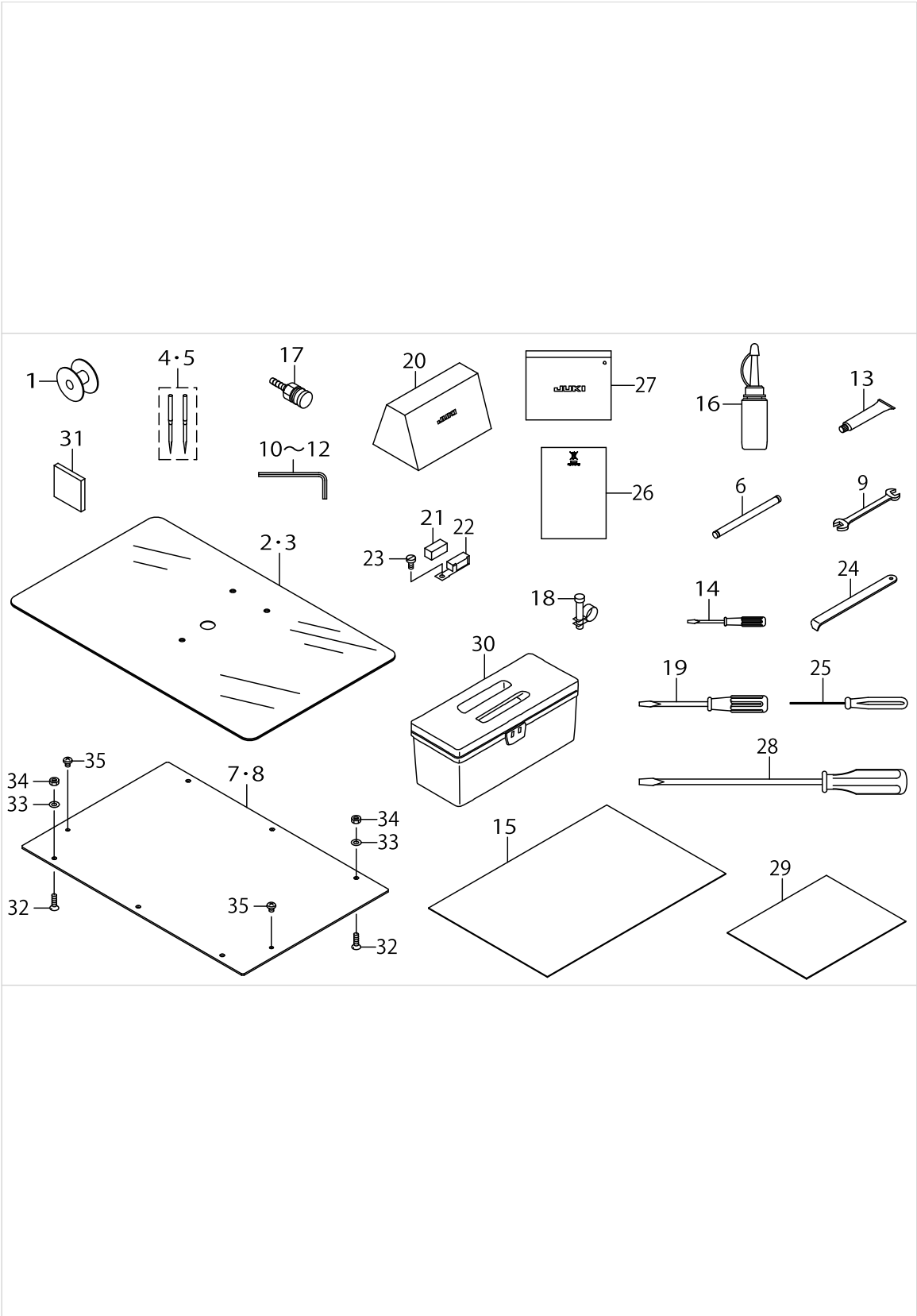
PEDAL COMPONENTS



PEDAL COMPONENTS

No.	Parts No.	Parts name	Remarks	Level	Cons	Qty
1	40033831	PK78 PEDAL SWITCH ASM.				1
2	40042352	MECHANICAL VALVE UNIT				1
3	D8001D15A0Y	PEDAL BASE		*		1
4	WP0450801SD	WASHER 4.5X10X0.8		*		2
5	WS0451040KP	SPRING WASHER 4.5X8.5X1		*		2
6	SS7111120TP	SCREW		*		2
7	SS6111210SP	SCREW 11/64-40 L=12		*		2
8	WP0450801SD	WASHER 4.5X10X0.8		*		2
9	WS0451040KP	SPRING WASHER 4.5X8.5X1		*		2
10	WP0553216SD	WASHER		*		2
11	PX020002000	ACTUATOR		*		1
12	PV010502000	AIR VALVE		*		1
13	PJ301040501	HALF UNION M5 D=4		*		6
14	PX500014000	PLUG		*		2
15	BT0400251EB	URETHANE HOSE, BLACK		*		1.9
16	BT0400251EB	URETHANE HOSE, BLACK		*		1.8
17	BT0400251EB	URETHANE HOSE, BLACK		*		1.9
18	HX00314000A	SPIRAL TUBE		*		0.6
19	EA9500B0100	CABLE BAND		*		3
20	GEP01013000	VALVE		*		1
21	BT0400251EB	URETHANE HOSE, BLACK		*		0.1
22	BT0400251EB	URETHANE HOSE, BLACK		*		0.1
23	18035204	WIRE MARK (3)		*		2
24	18035303	WIRE MARK (4)		*		1
25	18035600	WIRE MARK (7)		*		2
26	18035709	WIRE MARK (8)		*		1
27	PJ308040002	QUICK COUPLING		*		2
28	D8002D15A0Y	PEDAL CUSHION		*		2

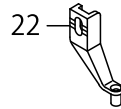
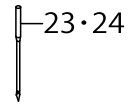
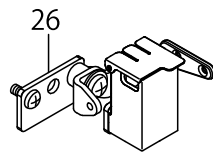
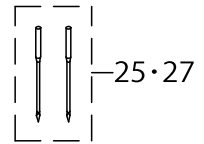
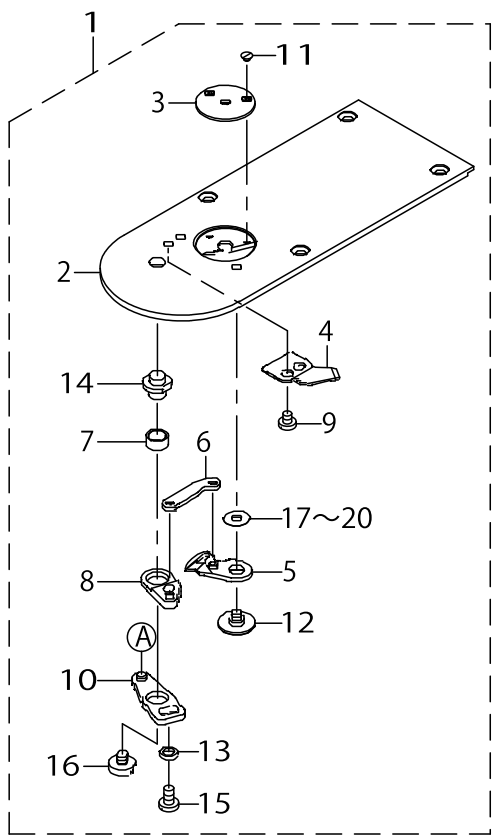
ACCESSORIE PART COMPONENTS



ACCESSORIE PART COMPONENTS

No.	Parts No.	Parts name	Remarks	Level	Cons	Qty
1	B1806210D00	BOBBIN			☆	1
2	40072082	COVER SHEET(4530)	FOR AMS-224E-4530			1
3	40072083	COVER SHEET(6030)	FOR AMS-224E-6030			1
4	MDP170B1802	NEEDLE DPZ17#18-2	FOR ST		☆	1
5	MC372001102	NEEDLE SY3355 #110-2	FOR JE		☆	1
6	13704705	BELT SIDE COVER SHAFT				1
7	40072148	PLASTIC BLANK PLATE 6030	FOR AMS-224E-6030			1
8	40072147	PLASTIC BLANK PLATE 4530	FOR AMS-224E-4530			1
9	B9113012000	WRENCH (9X10)				1
10	B9140372000	HEXAGONAL WRENCH, SMALL				1
11	B9141372000	HEXAGONAL WRENCH, LARGE				1
12	GCT02906000	HEXAGONAL SPANNER				1
13	40006323	JUKI GREASE A TUBE				1
14	22933204	SCREW DRIVER,SMALL				1
15	B2564223C00	SPONGE				1
16	B91212200A0	OILER (CONTAINING NO.2 OIL)				1
17	PJ309520001	SOCKET				1
18	PB000010000	HOSE BAND				1
19	22933105	SCREW DRIVER,MIDDLE				1
20	40072154	COVER				1
21	B1131528000	FELT				1
22	10102200	THREAD GUIDE F				1
23	SM6040860TP	SCREW M4 L=8				1
24	B9101490000	DRIVER				1
25	40032763	HEXAGONAL_DRIVER(1.5)				1
26	CM600100201	WEEE INFORMATION SHEET	FOR JE			1
27	22932800	ACCESSORIE BAG				1
28	22933006	SCREW DRIVER,LARGE				1
29	B2591220000	RUBBER SHEET				1
30	B8601WP10A0	TOOL BOX ASM.				1
31	40050647	COMPACTFLASH(TM) SET AMS-221E				1
32	SM1041401SN	SCREW M4X0.7 L=14				6
33	WP0430801SC	WASHER 4.3X9X0.8				6
34	NM6040001SC	NUT M4				6
35	SM4040501SN	SCREW M4X0.7 L=5				2

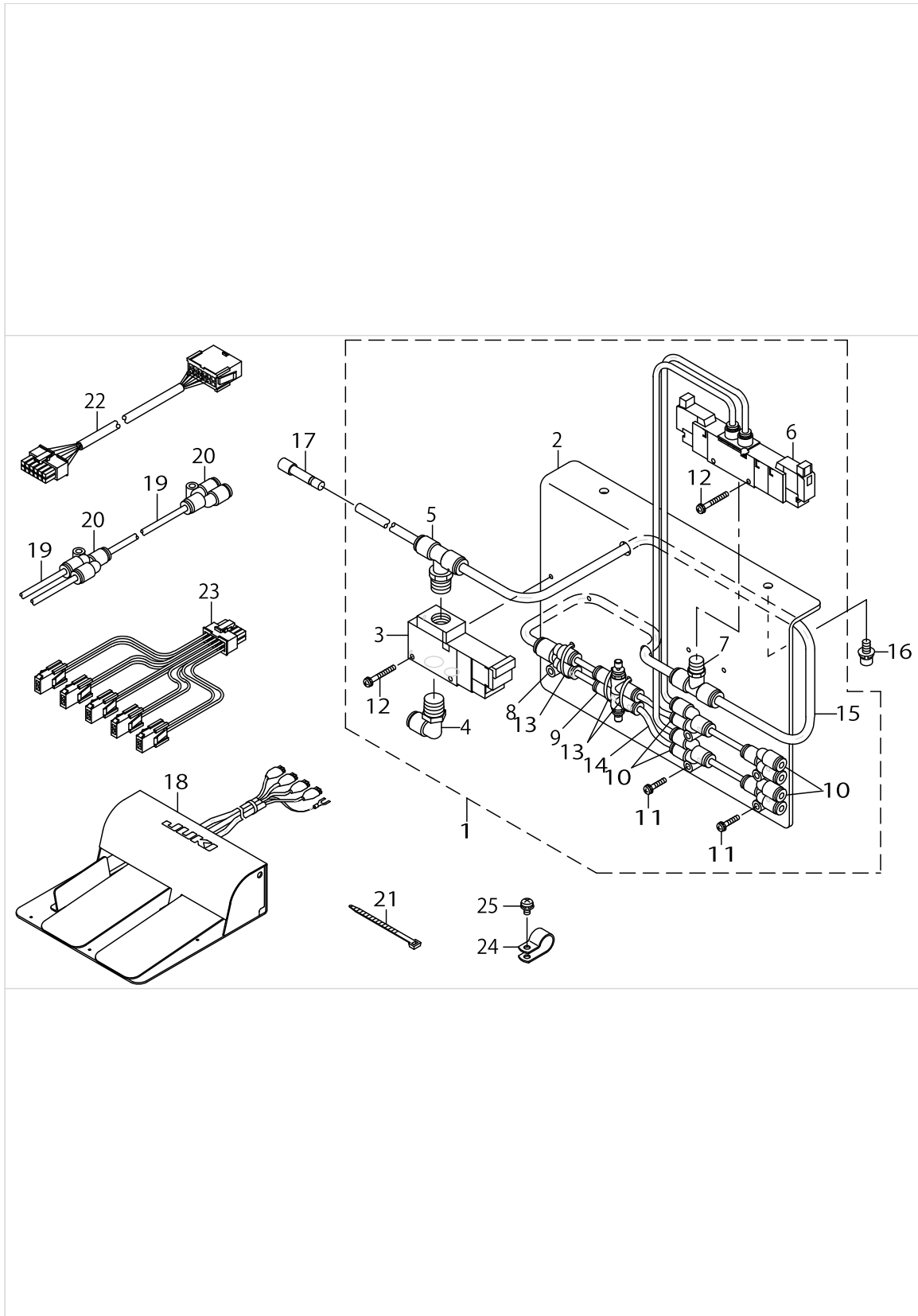
TYPE G EXCLUSIVE PARTS



TYPE G EXCLUSIVE PARTS

No.	Parts No.	Parts name	Remarks	Level	Cons	Qty
1	40053776	NEEDLE_PLATE_ASM.				1
2	40030934	NEEDLE_PLATE		*		1
3	B242621000F	NEEDLE HOLE GUIDE D=3.0		*		1
4	B2424210A00	FIX KNIFE		*		1
5	B2421210AA0	MOVING KNIFE COMPL.		*		1
6	B2418280000	MOVING KNIFE LINK		*		1
7	B2416280000	THREAD CUTTING LEVER RING		*		1
8	B24152800A0	THREAD CUTTER LEVER ASM., SMALL		*		1
9	SS7090410SP	SCREW 9/64-40 L= 3.5		*		1
10	B24142800A0	THREAD CUTTER LEVER ASM., LARGE		*		1
11	SS1060210TP	SCREW 3/32-56 L=2.2		*		1
12	B2417210000	MOVING KNIFE HINGE SCREW		*		1
13	WP0450846SP	WASHER		*		1
14	B2417280000	THREAD CUTTER LEVER SHAFT		*		1
15	SS7110740TP	SCREW 11/64-40 L=7		*		1
16	SS6110430TP	SCREW 11/64-40 L= 4.0		*		1
17	B242328000A	MOVING KNIFE WASHER A	SELECTIVE PARTS	*		1
18	B242328000B	MOVING KNIFE WASHER B	SELECTIVE PARTS	*		1
19	B242328000C	MOVING KNIFE WASHER C	SELECTIVE PARTS	*		1
20	B242328000D	MOVING KNIFE WASHER D	SELECTIVE PARTS	*		1
21	14103659	SHUTTLE RACE RING ASM..C				1
22	B1601210D0BA	INTERMEDIATE PRESSER B				1
23	MDP170B2300	NEEDLE DPX17 #23	FOR ST			1
24	MC372001600	NEEDLE SY3355 160	FOR JE			1
25	MDP170B2302	NEEDLE DPX17#23-2	TYPE G ACCESSORIE PARTS(FOR ST)			1
26	40097301	SILICONE OIL TANK ASM	TYPE G ACCESSORIE PARTS			1
27	MC372001602	NEEDLE SY3355 #160-2	TYPE G ACCESSORIE PARTS(FOR JE)			1
28	B242621000G	NEEDLE HOLE GUIDE D=3	TYPE G ACCESSORIE PARTS			1

SEPARATE STROKE TYPE EXCLUSIVE PARTS



SEPARATE STROKE TYPE EXCLUSIVE PARTS

No.	Parts No.	Parts name	Remarks	Level	Cons	Qty
1	40076736	SOLENOID_INSTALLING_PLATE_A_ASM.				1
2	40076738	SOLENOID_INSTALLING_PLATE		*		1
3	PV135207000	3-PORT ELECTROMAGNETIC VALVE		*		1
4	PJ304065201	ELBOW UNION 6XPT1/4		*		1
5	PJ305065204	DOUBLE-ENDED T UNION		*		1
6	PV155113000	5-PORT SOLENOID VALVE		*		1
7	PJ305065107	DOUBLE-ENDED T UNION		*		1
8	PJ308060005	IKEI UNION		*		1
9	PC012406000	SPEED CONTROLLER		*		2
10	PJ308040002	QUICK COUPLING		*		4
11	SL4031691SC	SCREW M3 L=16		*		4
12	SL4032591SC	SCREW M3X25		*		4
13	EA9500B0100	CABLE BAND		*		3
14	BT0400251EB	URETHANE HOSE, BLACK		*		0.6
15	BT0600401EB	TUBE		*		1.1
16	SL6051292TN	BOLT				2
17	PX950001000	PLUG				1
18	GPK470010AB	3-PEDAL ASM.				1
19	BT0400251EB	URETHANE HOSE, BLACK				1.7
20	PJ308040002	QUICK COUPLING				4
21	EA9500B0100	CABLE BAND				3
22	40074127	AIR EXTENSION CODE ASM.				1
23	40033875	PK47 RELAY CABLE ASM				1
24	HX00150000E	CORD PRESSER 3-POLE (220/240V)				1
25	SL4040891SC	SCREW M4 L=8				1

LIST FOR INFORMATION OF CHANGE

As to the place changed, refer to the corresponding Rev.No.
 When previous parts(Obsoleted part)and new parts(Added parts)are not interchangeable with each other:
 In this case,even obsoleted parts(D.)can be ordered with the obsoleted part number,so select the parts with changed dates and place your orders.

変更箇所は,該当Rev.No.版をご参照ください。
 部品の互換性がない変更の場合は,削除された品番でも,ご注文できます。

40072222
 No.1509-03}・・Rev.No.

*A:Added parts追加部品/D:Obsoleted parts削除部品/E:Erratum訂正

*	Rev. No.	Page 頁	Ref. No.	Parts No. 品番	*	Rev. No.	Page 頁	Ref. No.	Parts No. 品番
D	02	6	4	400-72073	A	03	6	4	400-90785
D	02	6	50	400-72084	A	03	6	50	401-01763
					A	03	6	90	400-90432
					A	03	6	91	SL-4040691-SC
D	02	08	4	400-72073	A	03	08	4	400-90785
D	02	08	50	400-72085	A	03	08	50	401-01764
					A	03	08	90	400-90432
					A	03	08	91	SL-4040691-SC
D	02	14	20	400-71942	A	03	14	20	401-03969
D	02	14	54	HD-0027800-00					
D	02	14	55	SM-4020501-SC					
D	02	14	56	WP-0220301-SC					
D	02	16	2	400-06574	A	03	16	2	400-89365
D	02	22	20	HD-0027800-00					
D	02	22	21	SM-4020501-SC					
D	02	22	22	WP-0220301-SC					
D	02	22	49	400-71944	A	03	22	49	401-03968
D	02	30	4	400-71945	A	03	30	4	401-04419
D	02	30	12	SM-4020501-SC					
D	02	30	13	WP-0220301-SC					
D	02	30	15	HD-0027800-00					
D	02	40	28	400-71942	A	03	40	28	401-03969
D	02	40	31	400-71944	A	03	40	31	401-03968
D	02	40	34	400-71945	A	03	40	34	401-04419
D	02	40	44	400-74987	A	03	40	44	400-90484
D	02	45	25	B2535-210-000					
D	02	45	26	B3532-223-C00	A	03	45	26	400-97301
D	02	45	27	SM-4041055-SP					

HOW TO MAKE USE OF THIS PARTS LIST

1.Explanation of codes

1)"*"mark.....means this part is changed from the previous parts book.

As to the details of the change, refer to the "List for information of change".

2)"#01".....refer to "Note" explanation at bottom of page.

2.Codes on the "Qty" column

- Each numeral indicates the number of parts required.
- "0.1" and "2.5" indicate the length (in meters) of the respective parts.

3.Parentheses mean that the corresponding part is a subpart that constructs an assembly part.

4.Dotted lines on the Figures indicate assembly parts.

5.As to the parts with marks of "☆"(consumable parts) and "◎"(optional parts)on the respective parts, it is recommended to prepare spares.

1 ."注記"欄の記号説明

1) "*"印.....前回のパーツブックに比較して今回変更された部品を意味します。

変更内容は、"変更情報リスト"を参照してください。

2) "#01".....ページ下の"注記"の説明を参照してください。

2.数量欄の数字は、個数を表し、0.1、2.5等の数値は、長さ（単位メートル）を表します。

3.数量欄の（ ）は、組部品を構成している子部品であることを意味します。

4.イラストページの-----枠は、組構成であることを意味します。

5.リストページの"☆"（消耗部品）、"◎"（オプション部品）の印がついた部品は、予備を準備しておくことをお奨めします。

NUMERICAL INDEX OF PARTS

PART NO	PAGE	REF NO.	PART NO	PAGE	REF NO.	PART NO	PAGE	REF NO.
10102200	86	22	22928808	38	28	26260109	6	5
10502300	2	35	22930309	66	14	26260208	6	6
11072402	2	47	22930358	66	1	26260307	6	7
11111051	36	13	22930408	66	10	26260406	6	8
12209706	10	77	22930507	66	9	26260505	6	9
12209706	14	77	22930556	66	15	26260604	6	10
13122403	20	23	22930705	66	7	26260703	6	11
13122452	20	22	22930804	66	17	26260802	6	12
13167903	66	30	22930903	66	16	26261206	6	16
13168000	66	31	22931000	66	4	26261305	6	17
13168109	66	23	22931109	66	3	26261503	6	18
13168208	66	24	22931307	66	11	26261602	6	19
13518501	34	55	22931406	66	8	26261701	6	20
13529607	28	15	22932800	86	27	26501858	28	7
13704705	86	6	22933006	86	28	26910059	66	22
13705108	2	21	22933105	86	19	31262801	8	45
13816855	8	44	22933204	86	14	31262801	12	45
13816855	12	44	22955504	36	4	40000029	72	13
13887005	48	88	22955900	36	7	40000029	76	2
13887005	54	88	22956007	36	8	40000046	72	15-16
14103352	28	27	22956106	36	9	40000046	76	3-4
14103659	88	21	22956205	36	10	40000056	72	15-16
14103907	28	10	22956908	36	14	40000056	76	3-4
14104004	28	8	22957104	36	15	40000140	68	19
14113450	4	49	22957203	36	16	40000146	68	3
14113468	2	46	23517501	40	4~7	40003458	72	42
14115554	6	31	23517600	40	4~7	40003970	24	46
14115554	78	62	23517709	40	4~7	40005390	76	14~17
14432504	34	56	23517808	40	4~7	40005392	72	30
16870206	80	36	23604200	16	2	40005392	76	9~11
17845009	72	27	23604309	16	42	40005393	72	33
18035204	84	23	23610108	20	39	40005393	76	18
18035303	84	24	23618606	32	7	40005394	72	35
18035600	84	25	23618606	46	35	40005394	76	20
18035709	84	26	23618606	52	35	40005401	72	22
22891006	16	25	23630007	28	14	40005401	76	8
22891204	16	34	23630007	34	70	40005706	72	20
22901409	18	62	26023408	60	4	40005726	72	36
22901805	6	3	26211904	2	12	40005726	76	21
22902506	2	4	26218602	38	31	40005727	72	37
22907505	20	45	26221101	8	47	40005727	76	22
22907554	20	44	26221101	12	47	40005848	68	5
22907604	20	46	26221200	8	46	40006323	86	13
22920508	2	16	26221200	12	46	40006484	2	37
22921506	38	29	26226001	24	42	40006515	18	50

NUMERICAL INDEX OF PARTS

PART NO	PAGE	REF NO.	PART NO	PAGE	REF NO.	PART NO	PAGE	REF NO.
40006515	34	66	40010489	38	23	40024999	2	6
40006516	18	52	40010490	38	20	40025011	20	13
40006529	16	16	40010497	38	21	40025012	20	5
40006530	16	17	40010498	38	22	40025014	10	54
40006531	16	18	40010499	38	24	40025014	14	54
40006532	16	26	40010503	38	27	40025016	24	31
40006534	16	22	40010504	38	30	40025030	24	36
40006535	16	23	40010509	38	34	40025414	2	14
40006537	16	27	40010510	38	35	40025415	20	8
40006576	28	20	40010511	38	36	40025416	36	3
40006577	28	11	40010512	38	37	40025418	24	33
40006578	28	33	40010513	38	38	40025419	24	47
40006617	38	5	40010514	38	39	40025420	24	44
40006622	38	25	40010515	38	40	40025423	24	8
40006625	38	4	40010521	38	43	40025426	24	27
40006666	40	21	40010522	38	44	40025427	20	2
40006761	44	1	40010523	38	33	40025428	20	11
40006762	44	3	40010527	44	22	40025429	20	26
40006765	44	4	40010528	44	23	40025431	20	1
40006768	44	19	40010533	18	54	40025440	36	34
40006772	44	10	40010589	44	9	40025441	36	35
40006780	44	11	40011152	44	24	40026817	24	4
40006781	44	12	40011902	16	35	40026818	32	36
40006836	2	43	40012038	72	34	40026819	24	9
40006840	2	45	40012038	76	19	40026882	18	57
40006840	34	68	40012965	20	19	40026884	18	61
40010415	16	5	40013640	6	29	40026979	2	3
40010418	16	7	40014963	28	28	40027870	24	37
40010422	16	9	40015800	44	5	40027971	2	11
40010423	16	10	40018948	72	44	40028338	6	4
40010424	16	11	40023371	76	14~17	40028834	2	30
40010425	16	12	40023624	40	13	40028835	2	31
40010426	16	13	40023631	22	49	40028877	2	28
40010427	16	14	40023632	22	50	40029411	38	32
40010434	16	33	40023635	60	5	40029412	38	42
40010441	18	55	40023644	60	2	40029419	20	36
40010442	18	56	40023865	6	13	40029420	24	5
40010443	40	19	40023866	6	14	40030615	24	15
40010470	28	16	40023993	38	12	40030616	22	65
40010471	28	17	40023999	38	15	40030617	20	4
40010472	28	19	40024988	20	29	40030620	20	31
40010477	38	6	40024989	24	24	40030621	22	55
40010478	38	41	40024991	20	40	40030623	20	47
40010479	38	8	40024997	8	41	40030625	24	1
40010487	38	17	40024997	12	41	40030626	24	2

NUMERICAL INDEX OF PARTS

PART NO	PAGE	REF NO.	PART NO	PAGE	REF NO.	PART NO	PAGE	REF NO.
40030627	24	3	40044053	16	46	40072082	86	2·3
40030628	22	62~64	40044053	34	62	40072083	86	2·3
40030629	22	62~64	40044971	68	14	40072086	16	8
40030630	22	62~64	40046076	68	12	40072087	80	3
40030779	36	12	40048529	76	45	40072088	34	72
40030780	36	5	40050647	68	43	40072089	32	1
40030828	2	8	40050647	86	31	40072090	32	11
40030829	6	15	40051330	68	11	40072091	32	15
40030926	68	4	40051501	10	61	40072092	32	22
40030933	40	23	40051501	14	61	40072093	32	30
40030934	40	25	40051640	72	43·66	40072094	32	33
40030934	88	2	40051769	62	49	40072095	32	35
40030936	40	1	40051770	60	43	40072096	32	38
40030942	44	17	40051987	2	40	40072097	32	43
40030943	44	15	40052937	18	60	40072098	32	44
40030956	36	6	40052937	76	23	40072099	32	42
40031336	6	28	40053776	88	1	40072100	32	40
40032158	2	1	40055355	72	1	40072101	28	41
40032159	2	26	40055356	72	2	40072102	28	40
40032179	24	7	40055357	72	3	40072103	34	51
40032180	24	17	40057278	74	43·66	40072106	32	23
40032181	24	23	40061991	28	29	40072107	40	15
40032229	60	13	40062367	74	55	40072108	44	26
40032343	38	11	40062367	76	24	40072109	44	34
40032345	38	14	40062368	74	56	40072110	44	38
40032483	24	6	40062368	76	25	40072111	38	26
40032763	86	25	40062684	66	2	40072112	46	13
40032798	20	43	40068829	22	56	40072112	52	13
40033831	78	55	40068832	22	57	40072113	46	2
40033831	84	1	40068833	20	14	40072113	52	2
40033875	78	56	40068834	20	28	40072114	46	12
40033875	90	23	40068835	20	7	40072114	52	12
40035024	70	48	40072074	8	12	40072115	46	3
40036117	28	25	40072074	12	12	40072115	52	3
40036118	28	35	40072075	12	15	40072116	46	14
40037500	36	32	40072076	8	15	40072116	52	14
40037501	36	33	40072077	80	2	40072117	46	15
40040230	10	62	40072078	8	25	40072117	52	15
40040230	14	62	40072078	12	25	40072118	46	16
40040230	78	54	40072079	8	20	40072118	52	16
40040237	78	58	40072079	12	20	40072119	46	17
40040238	78	49	40072080	8	21	40072119	52	17
40040256	40	8	40072080	12	21	40072120	46	23
40042352	84	2	40072081	8	19	40072121	52	23
40043321	26	53	40072081	12	19	40072122	46	24

NUMERICAL INDEX OF PARTS

PART NO	PAGE	REF NO.	PART NO	PAGE	REF NO.	PART NO	PAGE	REF NO.
40072122	52	24	40072166	52	5	40072223	80	5
40072123	52	26	40072167	46	7	40072225	44	28
40072124	46	27	40072167	52	7	40072226	46	10
40072124	52	27	40072168	46	8	40072226	52	10
40072125	46	28	40072168	52	8	40072227	32	31
40072125	52	28	40072169	46	6	40072227	48	94
40072126	46	29	40072170	52	6	40072227	54	94
40072126	52	29	40072171	46	18	40072228	40	10
40072127	48	81	40072171	52	18	40072231	80	41
40072127	54	81	40072173	32	9	40072233	16	39
40072128	46	21	40072174	8	18	40072244	10	49
40072128	52	21	40072174	12	18	40072245	14	49
40072129	46	20	40072175	10	52	40073215	80	43
40072129	52	20	40072175	14	52	40073216	80	20
40072130	46	4	40072176	10	51	40073222	80	6
40072131	46	33	40072176	14	51	40073224	80	7
40072132	52	33	40072177	10	60	40073225	80	8
40072133	48	74	40072177	14	60	40073226	80	9
40072133	54	74	40072178	10	59	40073227	80	12
40072135	60	1	40072178	14	59	40073230	80	13
40072136	60	28·51	40072179	10	53	40073231	80	14
40072137	62	28·51	40072179	14	53	40073620	76	35
40072138	60	46·56	40072180	12	17	40073621	76	36
40072139	62	46·56	40072183	14	69	40073622	76	32
40072140	28	1	40072184	8	17	40073623	76	29
40072143	8	23	40072186	10	69	40073626	76	40
40072143	12	23	40072187	12	16	40073632	76	37
40072145	80	1	40072189	14	68	40073638	76	38
40072146	80	25·47	40072191	8	16	40073639	76	33
40072147	86	7·8	40072193	10	68	40073640	76	30
40072148	86	7·8	40072195	8	22	40073650	72	11·65
40072151	36	1	40072195	12	22	40073650	76	1·63
40072151	76	42	40072206	80	4	40073651	74	54
40072152	46	9	40072207	32	3	40073651	76	5
40072153	52	4	40072208	34	49	40073659	74	46
40072154	86	20	40072209	48	72	40073659	76	26
40072155	58	5	40072209	54	72	40073660	38	1
40072156	46	26	40072211	40	45	40073660	76	41
40072159	32	45	40072212	10	81	40073671	78	47
40072160	46	1	40072212	14	81	40073672	78	48
40072160	52	1	40072213	10	80	40073674	44	33
40072161	62	52·53	40072213	14	80	40073674	78	50
40072162	62	52·53	40072214	10	79	40073675	78	51
40072163	60	40	40072214	14	79	40073676	2	33
40072166	46	5	40072220	64	1	40073676	78	52

NUMERICAL INDEX OF PARTS

PART NO	PAGE	REF NO.	PART NO	PAGE	REF NO.	PART NO	PAGE	REF NO.
40073678	2	25	40101764	14	50	B1636581B00	20	15~18
40073678	78	53	40103968	42	49	B1636581C00	20	15~18
40073679	68	21	40103968	76	31	B1636581D00	20	15~18
40073679	76	7	40103969	24	20	B1641562000	24	41
40073681	76	43	40103969	76	28	B1802180000	46	47
40073683	72	29	40104419	58	4	B1802180000	52	47
40073683	76	9~11	40104419	76	34	B1806210D00	28	31
40073684	72	31	A1230500000A	18	48	B1806210D00	86	1
40073684	76	9~11	A1230500000A	34	64	B1816215P00	42	48
40074051	68	38	B1111220000A	8	1	B1816280000	48	84
40074127	90	22	B1111220000A	12	1	B1816280000	54	84
40075079	44	30	B1114280000	4	53	B1816280000	60	35
40075079	76	39	B1115220000	8	2	B1820210D00	28	3
40075391	76	46	B1115220000	12	2	B1821210D00	28	4
40076009	68	13	B1120223C00	8	3	B1822215P00	28	5
40076012	68	2	B1120223C00	12	3	B1828210DAA	28	30
40076031	68	17	B1129210000	2	19	B1847221D00	28	45
40076032	68	18	B1131528000	86	21	B1903552000	16	28
40076736	90	1	B1144210000	16	45	B1908505000	16	19
40076738	90	2	B1144210000	34	61	B2107210D00	36	2
40077782	74	11·65	B1157215000	8	27	B2110210D00	36	41
40077782	78	1·63	B1157215000	12	27	B2130210D00	36	11
40077848	68	1	B1158224C00	48	80	B24142800A0	40	34
40077848	76	6	B1158224C00	54	80	B24142800A0	88	10
40079638	68	24	B1182223C00	8	24	B24152800A0	40	32
40079639	68	25	B1182223C00	12	24	B24152800A0	88	8
40079640	68	26	B1193223C00	8	26	B2416280000	40	31
40082017	10	88	B1193223C00	12	26	B2416280000	88	7
40082017	14	88	B1212210D00	16	44	B2417210000	40	36
40085820	60	14	B1212210D00	34	60	B2417210000	88	12
40085824	60	34	B1228232000	38	46	B2417280000	40	38
40085830	60	33	B1408180000	20	32	B2417280000	88	14
40086384	32	6	B14115520A0	18	58	B2418280000	40	30
40086384	46	34	B1411804A00	28	46~49	B2418280000	88	6
40086384	52	34	B1411804B00	28	46~49	B2421210AA0	40	29
40089365	28	2	B1411804C00	30	46~49	B2421210AA0	88	5
40089584	80	25·47	B1411804D00	30	46~49	B242328000A	40	39~42
40090431	82	48	B1414555000	18	59	B242328000A	88	17~20
40090432	10	90	B1504210000	60	3	B242328000B	40	39~42
40090432	14	90	B151902600G	48	83	B242328000B	88	17~20
40090484	76	44	B151902600G	54	83	B242328000C	40	39~42
40090785	8	4	B1601210D0BA	88	22	B242328000C	88	17~20
40090785	12	4	B161121000A	22	48	B242328000D	40	39~42
40097301	88	26	B1634210D00	22	53	B242328000D	88	17~20
40101763	10	50	B1636581A00	20	15~18	B2424210000	40	28

NUMERICAL INDEX OF PARTS

PART NO	PAGE	REF NO.	PART NO	PAGE	REF NO.	PART NO	PAGE	REF NO.
B2424210A00	88	4	B8601WP10A0	86	30	EA9500B0100	52	11
B242621000B	40	27	B9101490000	86	24	EA9500B0100	64	21
B242621000F	88	3	B9113012000	86	9	EA9500B0100	74	48
B242621000G	88	28	B9121012000	10	87	EA9500B0100	80	40
B2525223C00	58	1	B9121012000	14	87	EA9500B0100	84	19
B2526223C00	58	2	B91212200A0	86	16	EA9500B0100	90	21
B2534223C00	46	19	B9140372000	86	10~12	EA9500B0200	6	38
B2534223C00	52	19	B9141372000	86	10~12	EA9500B0200	26	54
B2537221D00	58	12	BME01100000	68	36·37	G5430116000	64	17
B2539223C00	46	22	BME03200000	68	36·37	G611387500A	10	74
B2539223C00	52	22	BT0400251EB	60	18	G611387500A	14	74
B2548223C00	46	30	BT0400251EB	84	22	G8124270000	64	14
B2548223C00	52	30	BT0400251EB	90	19	GAF01007000	18	49
B2549223C00	46	31	BT0600401EB	64	8	GAF01007000	34	65
B2549223C00	52	31	BT0600401EB	90	15	GBR0118500A	44	39
B2560220000	60	47	CM100100001	6	32	GCT02906000	86	10~12
B2563215000	62	57	CM200100001	74	49	GEP01013000	84	20
B2564223C00	86	15	CM300100003	68	34	GPK470010AB	78	57
B2567223C00	60	31	CM300100401	68	32	GPK470010AB	90	18
B2567223CA0	60	30	CM300200003	62	61	HA004250000	68	27
B2568223C00	60	20	CM300400601	68	33·35	HA004250000	76	12·13
B2568224C00	60	27	CM300400701	68	33·35	HA005820000	68	28·47
B2569229000	60	36	CM301200001	6	1	HA005820000	76	12·13
B2591220000	86	29	CM600100101	6	33	HA006000000	36	19
B3120372000	2	41	CM600100101	68	16	HD00057000A	26	48
B3126012000	4	50	CM600100101	74	52	HD00057000A	40	17
B3509280000	34	48	CM600100201	86	26	HD00057000A	46	40
B3518280000	32	47	CQ200000000	28	13	HD00057000A	52	40
B3538112000	28	38	CQ200000000	34	69	HD00057000A	78	59
B4022221D00	48	79	CQ303000000	20	3	HD00204000A	44	35
B4022221D00	54	79	CS079073ASH	20	33	HD00204000A	78	60
B471122000C	60	8	CS0800881TP	24	29	HD00204000B	44	36
B471122000D	60	9	CS0800971TP	28	43	HD00204000B	78	61
B471122000G	60	10	CS1200981TP	48	90	HD002780000	76	27
B471122000H	60	11	CS1200981TP	54	90	HF00130315S	68	40~42
B47152150A0	64	12	D7133555B00	4	51	HF0013050P0	68	40~42
B8111220000	10	85	D8001D15A0Y	84	3	HF003000200	68	40~42
B8111220000	14	85	D8002D15A0Y	84	28	HK034610020	36	17
B8112220000	10	83	E2678453000	64	23	HK034610040	64	19
B8112220000	14	83	E9567319000	72	41	HK034640000	64	20
B8117223C00	80	22	E9607603000	72	40	HK03464000B	36	18
B8118223C00	80	23	EA9500B0100	6	37	HN001490000	74	47
B8171220000	80	24	EA9500B0100	26	50	HN002840000	40	16
B8202205000	10	84	EA9500B0100	28	32	HW200390000	36	20
B8202205000	14	84	EA9500B0100	50	97	HW500070000	36	21

NUMERICAL INDEX OF PARTS

PART NO	PAGE	REF NO.	PART NO	PAGE	REF NO.	PART NO	PAGE	REF NO.
HX00065000A	68	29	MDP170B2302	88	25·27	PS0150065KP	10	67
HX00147000J	74	58	NM3040520SC	72	25	PS0150065KP	14	67
HX00150000B	80	45	NM3050610SF	8	13	PS0150065KP	60	32
HX00150000C	40	43	NM3050610SF	12	13	PS0250062KH	8	28
HX00150000D	6	35	NM6040000SN	2	15	PS0250062KH	12	28
HX00150000E	90	24	NM6040001SC	86	34	PS0400141KH	80	29
HX00150000F	6	34	NM6040001SP	40	9	PS0400142KH	16	47
HX00150000H	6	36	NM6040002SE	66	29	PS0400142KH	34	63
HX00150000H	80	38	NM6040003SC	38	18	PV010502000	84	12
HX00150000J	68	30	NM6050001SE	66	13	PV1351270A0	64	5
HX002330000	60	19	NM6050001SP	40	12	PV135207000	90	3
HX00307000D	10	89	NM6050001SP	46	37	PV150209100	64	4
HX00307000D	14	89	NM6050001SP	52	37	PV155113000	90	6
HX00314000A	84	18	NM6080001SC	72	64	PV915005000	64	2
HX00326000B	80	26	NM6080001SC	74	64	PX020002000	84	11
HX00326000G	80	28	NM6080001SC	80	37	PX055104000	64	7
HX00326000K	74	45	NM6100001SE	80	15	PX500014000	84	14
HX00326000M	80	27	NM6120001SE	80	16	PX950001000	90	17
HX003390000	10	64	NM6120011SF	8	5	PX950009000	64	22
HX003390000	14	64	NM6120011SF	12	5	RC0560711KP	6	21
HX003390000	72	18	NM6160001SC	80	17	RC0650811KP	20	25
HX00354000N	68	6	NM6160511SE	66	18	RC1200001KP	34	59
HX00354000S	68	7	NS6090310SP	36	22	RC3781518KP	20	20
HX00364000E	62	60	NS6110310SP	4	48	RE0200000K0	44	7
HX004070000	72	26	NS6110310SP	36	23	RE0250000K0	36	24
HX00410000A	72	32	PA1602509A0	60	6	RE0300000K0	28	6
HX00418000E	74	57	PB000010000	86	18	RE0300000K0	60	12
HX005110000	72	39	PC012401000	60	26	RE0320000K0	60	25
KM000000480	72	23	PC012406000	90	9	RE0400000K0	6	22
M300451100A	68	39	PF0552040B0	64	13	RE0500000K0	36	25
M3801476000	72	6	PJ030520001	64	16	RE0600000K0	46	39
M4206461000	72	10	PJ046052503	60	7	RE0600000K0	52	39
M85125810A0	70	28·47	PJ301040501	84	13	RE0700000K0	24	35
M90175800A0	76	14~17	PJ301040505	64	3	RE0800000K0	32	37
M90295800A0	74	53	PJ301060003	64	10	RE0900000K0	38	3
M90345800A0	68	23	PJ301065103	64	6	SB104001600	16	21
M90355800A0	68	22	PJ304065201	90	4	SB108000500	24	26
M90355800A0	76	14~17	PJ305065107	90	7	SB108000500	46	43
MC372001100	16	37·38	PJ305065202	64	15	SB108000500	52	43
MC372001102	86	4·5	PJ305065204	90	5	SB108002200	16	20
MC372001600	88	23·24	PJ308040002	84	27	SB108002300	16	24
MC372001602	88	25·27	PJ308040002	90	20	SB110002400	42	52
MDP170B1800	16	37·38	PJ308060005	90	8	SB112000200	34	57
MDP170B1802	86	4·5	PJ309005203	64	18	SB115000600	46	44
MDP170B2300	88	23·24	PJ309520001	86	17	SB115000600	52	44

NUMERICAL INDEX OF PARTS

PART NO	PAGE	REF NO.	PART NO	PAGE	REF NO.	PART NO	PAGE	REF NO.
SB115001400	32	29	SD0800407TP	44	25	SL6052592TN	16	41
SB117000400	32	2	SD0800408TP	20	38	SL6061292TN	80	44
SB117000900	46	46	SD0800656TP	22	60	SL6062592TN	60	21
SB117000900	52	46	SD0800746TP	20	10	SL6082092TN	74	60
SB117001000	32	5	SD1000506TP	20	37	SL6083092TN	72	7
SB117001100	32	14	SD1002206TP	22	58	SL9061600SF	10	66
SB120000900	16	1	SK3271301SE	80	42	SL9061600SF	14	66
SB120001700	16	6	SK3413201SE	68	20	SL9082093SE	80	18
SB120001800	16	4	SK3512001SE	70	46	SM1030601SP	8	32
SB130000200	48	48	SL4030641SE	36	30	SM1030601SP	12	32
SB130000200	54	48	SL4030691SC	68	9	SM1030601SP	32	24
SB130000300	48	49	SL4030881SC	74	59	SM1040650TP	40	3
SB130000300	54	49	SL4031091SC	26	49	SM1040801SP	8	31
SB30700020A	16	29~32	SL4031091SC	40	18	SM1040801SP	12	31
SB30700020B	16	29~32	SL4031091SC	46	41	SM1040870TP	8	65
SB30700020C	16	29~32	SL4031091SC	52	41	SM1040870TP	10	65
SB30700020D	16	29~32	SL4031481SC	10	86	SM1040870TP	12	65
SB30800100A	28	21~24	SL4031481SC	14	86	SM1040870TP	14	65
SB30800100B	28	21~24	SL4031691SC	90	11	SM1040870TP	32	39
SB30800100C	28	21~24	SL4032591SC	90	12	SM1040870TP	62	50
SB30800100D	28	21~24	SL4040691SC	10	91	SM1041401SN	86	32
SB31000110A	32	25~28	SL4040691SC	14	91	SM1041601SC	10	76
SB31000110B	32	25~28	SL4040691SC	68	31	SM1041801SN	14	76
SB31000110C	32	25~28	SL4040881SC	72	21	SM1061201SN	80	21
SB31000110D	32	25~28	SL4040891SC	6	30	SM2360110TP	44	20
SB312000600	48	87	SL4040891SC	10	63	SM4020600SP	44	18
SB312000600	54	87	SL4040891SC	14	63	SM4030401SC	8	29
SB33500020A	32	17~21	SL4040891SC	64	11	SM4030401SC	12	29
SB33500020B	32	17~21	SL4040891SC	68	44	SM4030455SP	28	12
SB33500020C	32	17~21	SL4040891SC	72	38	SM4030501SF	68	15
SB33500020D	32	17~21	SL4040891SC	80	39	SM4030601SN	2	36
SB33500020E	32	17~21	SL4040891SC	90	25	SM4030601SN	36	29
SB408000100	24	13	SL4041081SC	74	51	SM4040501SN	86	35
SB412000100	58	3	SL4041091SC	10	78	SM4040655SP	2	42
SB612000100	48	89	SL4041091SC	14	78	SM4040655SP	8	34
SB612000100	54	89	SL4041091SC	70	45	SM4040655SP	12	34
SD0350156TP	44	27	SL4041091SC	72	50	SM4040855SP	2	38
SD0400266TP	44	8	SL4041091SC	74	50	SM4040855SP	36	36
SD0650321TP	36	28	SL4041091SC	80	46	SM4041001SC	8	36
SD0800327TP	40	11	SL4043591SC	72	24	SM4041001SC	12	36
SD0800336TP	22	59	SL4051091SC	64	24	SM4041001SC	66	25
SD0800337TP	24	25	SL6040892TN	2	34	SM4041055SP	2	32
SD0800346TP	34	52	SL6040892TN	6	40	SM4041055SP	8	33
SD0800386TP	20	35	SL6040892TN	32	46	SM4041055SP	12	33
SD0800387TP	24	40	SL6051292TN	90	16	SM4041055SP	36	38

NUMERICAL INDEX OF PARTS

PART NO	PAGE	REF NO.	PART NO	PAGE	REF NO.	PART NO	PAGE	REF NO.
SM4041201SC	66	27	SM6040802TP	10	82	SM6061010TP	34	53
SM4041255SP	60	44	SM6040802TP	14	82	SM6061202TP	8	42
SM4041401SC	8	37	SM6040802TP	22	52	SM6061202TP	12	42
SM4041401SC	12	37	SM6040802TP	38	16	SM6061402TP	20	24
SM4042001SC	66	28	SM6040802TP	40	51	SM6061602TP	60	41
SM4050855SP	36	37	SM6040802TP	42	51	SM6061610SC	66	21
SM4051001SN	8	14	SM6040802TP	46	42	SM6061802TP	24	22
SM4051001SN	12	14	SM6040802TP	52	42	SM6061802TP	40	46
SM4051055SP	2	29	SM6040860TP	2	18	SM6062502TN	62	54
SM4051255SP	48	70	SM6040860TP	38	13	SM6087002TN	74	61
SM4051255SP	54	70	SM6040860TP	86	23	SM6450610TP	10	55
SM4051405SE	66	12	SM6041150TP	6	27	SM6450610TP	14	55
SM4051655SP	42	50	SM6041202TP	44	31	SM7030450SC	10	71
SM4055001SF	8	6	SM6041202TP	48	56	SM7030450SC	14	71
SM4055001SF	12	6	SM6041202TP	54	56	SM7751160TP	22	51
SM4061255SP	2	13	SM6041402TN	10	70	SM8030412TP	18	63
SM4061255SP	34	50	SM6041402TN	14	70	SM8030412TP	38	7
SM5040655SN	6	24	SM6041402TP	24	21	SM8040310SS	18	53
SM6020250TP	28	36	SM6041602TP	16	40	SM8040412TP	36	27
SM6020350SP	44	13	SM6050652TP	48	77	SM8040502TP	32	67
SM6020450TP	44	37	SM6050652TP	54	77	SM8040502TP	34	67
SM6020460TP	28	26	SM6050800SP	48	85	SM8040802TP	6	26
SM6030602TP	44	14	SM6050800SP	54	85	SM8050412TP	24	43
SM6030602TP	48	50	SM6050800SP	62	58	SM8050412TP	48	73
SM6030602TP	54	50	SM6050802TP	10	72	SM8050412TP	54	73
SM6031002TP	46	32	SM6050802TP	14	72	SM8050412TP	62	48
SM6031002TP	52	32	SM6050802TP	24	45	SM8050502TP	6	25
SM6031402TP	48	51	SM6051000SP	60	16	SM8050512TP	28	44
SM6031402TP	54	51	SM6051002TP	48	65	SM8050592TP	40	22
SM6040450TP	48	82	SM6051002TP	54	65	SM8050592TP	48	91
SM6040450TP	54	82	SM6051002TP	60	23	SM8050592TP	54	91
SM6040602TP	26	51	SM6051202TP	48	67	SM8050612TP	48	75
SM6040602TP	28	39	SM6051202TP	54	67	SM8050612TP	54	75
SM6040602TP	44	32	SM6051402TP	46	11	SM8050812TP	60	22
SM6040602TP	48	96	SM6051402TP	58	9	SM8060552TP	28	42
SM6040602TP	50	96	SM6051602TP	32	12	SM8060552TP	32	32
SM6040602TP	52	92	SM6051602TP	48	71	SM8060552TP	50	95
SM6040602TP	54	92	SM6051602TP	54	71	SM8060552TP	56	95
SM6040650TP	2	44	SM6051602TP	58	6	SM8060602TP	24	19
SM6040650TP	8	35	SM6051802TP	60	37	SM8060602TP	58	8
SM6040650TP	12	35	SM6052502TP	48	60	SM8060610TP	28	34
SM6040650TP	32	41	SM6052502TP	54	60	SM8060802TP	48	63
SM6040650TP	40	20	SM6053052TN	48	59	SM8060802TP	54	63
SM6040650TP	44	21	SM6060800SP	28	18	SM8060812TP	16	43
SM6040802TP	6	39	SM6060802TP	60	29	SM8060812TP	20	12

NUMERICAL INDEX OF PARTS

PART NO	PAGE	REF NO.	PART NO	PAGE	REF NO.	PART NO	PAGE	REF NO.
SM8060812TP	24	34	WP0320501SD	48	98	WP0641600SC	60	55
SM8060812TP	32	16	WP0320501SD	50	98	WP0641600SC	62	55
SM8060812TP	40	14	WP0320501SD	54	96	WP0641601SC	8	43
SM8060812TP	48	64	WP0320501SD	56	96	WP0641601SC	12	43
SM8060812TP	54	64	WP0330501SB	8	38	WP0641601SD	34	54
SM8061050TP	28	37	WP0330501SB	12	38	WP0651001SC	40	47
SM8061612TP	16	36	WP0430800SC	22	54	WP0820516SP	16	15
SM8061612TP	38	47	WP0430800SD	46	45	WP0841601SC	72	62
SM8480652TP	24	10	WP0430800SD	52	45	WP0841601SC	74	62
SM8480652TP	32	34	WP0430800SD	60	45	WP0841601SC	80	33
SM9087533SC	80	31	WP0430801SC	38	10	WP0850002SP	24	14
SM9124503SB	8	7	WP0430801SC	86	33	WP1221016SP	20	27
SM9124503SB	12	7	WP0450000SD	8	40	WP1221016SP	34	58
SM9129013SB	80	19	WP0450000SD	12	40	WP1302501SC	80	10
SS1060210TP	40	35	WP0450801SD	2	39	WP1302501SE	8	10
SS1060210TP	88	11	WP0450801SD	8	39	WP1302501SE	12	10
SS1110640TP	20	30	WP0450801SD	12	39	WP1612616SE	66	19
SS6090910SP	20	41	WP0450801SD	84	7~10	WS0451040KP	4	52
SS6110430TP	40	24	WP0450801SP	10	58	WS0451040KP	84	7~10
SS6110430TP	88	16	WP0450801SP	14	58	WS0510002KN	66	5
SS6111210SP	84	7~10	WP0450801SP	36	39	WS0610002KP	60	38
SS7090410SP	40	33	WP0450801SP	44	2	WS0820002KN	74	63
SS7090410SP	88	9	WP0450826SC	6	23	WS0820002KN	80	35
SS7110740TP	40	26	WP0450846SP	26	52	WS1220002KN	80	11
SS7110740TP	88	15	WP0450846SP	40	37	WS1253010KN	8	11
SS7111120TP	84	4~6	WP0450846SP	88	13	WS1253010KN	12	11
SS7111810TP	20	42	WP0510516SD	38	45	WS1643202KR	66	20
SS8110410TP	20	34	WP0520656SA	10	73	WZ0850302K0	24	28
SS8660612TP	32	8	WP0520656SA	14	73			
SS8660612TP	46	36	WP0520656SA	24	38			
SS8660612TP	52	36	WP0522016SH	24	39			
SS9151240SN	8	8	WP0531000SD	32	13			
SS9151240SN	12	8	WP0531000SD	46	93			
TA0550604R0	22	61	WP0531000SD	48	93			
TA0750404R0	20	21	WP0531000SD	52	93			
TA0850604R0	2	23	WP0531000SD	54	93			
TA1050504R0	2	24	WP0531000SD	58	11			
TA1050504R0	34	71	WP0531000SD	60	59			
TA2100904R0	2	10	WP0531000SD	62	59			
TA2100904R0	10	75	WP0531001SC	36	40			
TA2100904R0	14	75	WP0553216SD	84	7~10			
TA2351004R0	2	27	WP0561616SC	8	9			
WP0320500SC	44	6	WP0561616SC	12	9			
WP0320500SD	44	16	WP0611626SP	20	9			
WP0320501SC	36	31	WP0611626SP	60	39			