

MODEL : MS-3580 Series

List No : 1506-06

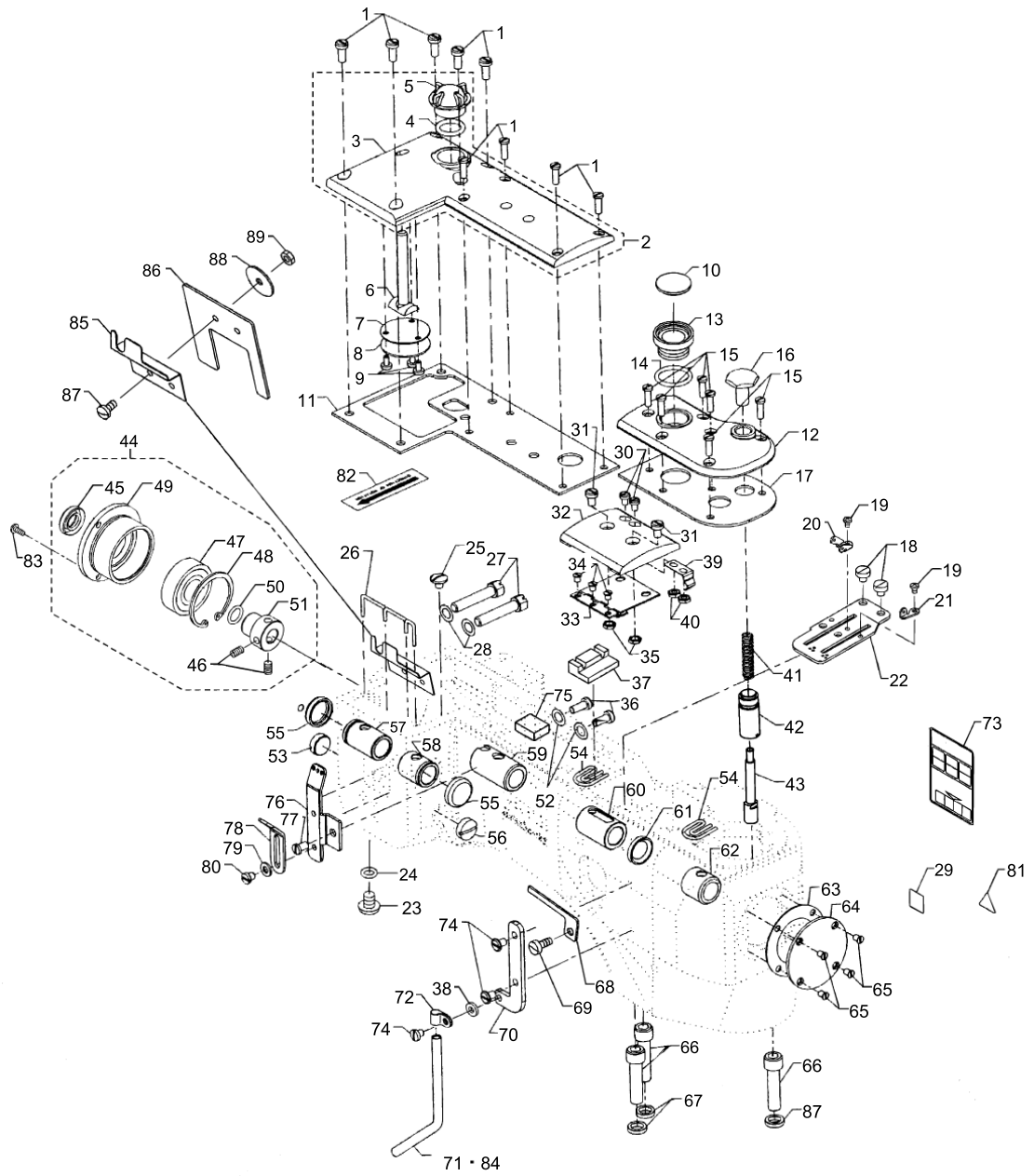
PARTS LIST

Published:09/10/2017

CONTENTS

FRAME MISCELLANEOUS & BEARING COMPONENTS	1
FRAME MISCELLANEOUS, BEARING & FOLDER COMPONENTS (FOR MS-3580SF/0SN).....	5
FRAME MISCELLANEOUS, BEARING & FOLDER COMPONENTS (FOR MS-3580SF/1SN).....	7
DETACHABLE HEAD COMPONENTS.....	11
OIL LUBRICATION & NEEDLE DRIVING COMPONENTS	15
FEED MECHANISM COMPONENTS (FOR MS-3580SF/0SN).....	19
FEED MECHANISM COMPONENTS (FOR MS-3580SF/1SN).....	21
LOOPER DRIVING COMPONENTS (FOR MS-3580SF/0SN)	25
LOOPER DRIVING COMPONENTS (FOR MS-3580SF/1SN)	27
UPPER ROLLER FEED & THREAD TENSION COMPONENTS.....	29
PULLEY, UPPER ROLLER FEED & DRIVING COMPONENTS	35
SEWING PARTS COMPONENTS.....	39
THREAD STAND COMPONENTS.....	41
ACCESSORIES PARTS COMPONENTS	43
LIST FOR INFORMATION OF CHANGE.....	47
HOW TO MAKE USE OF THIS PARTS LIST	48

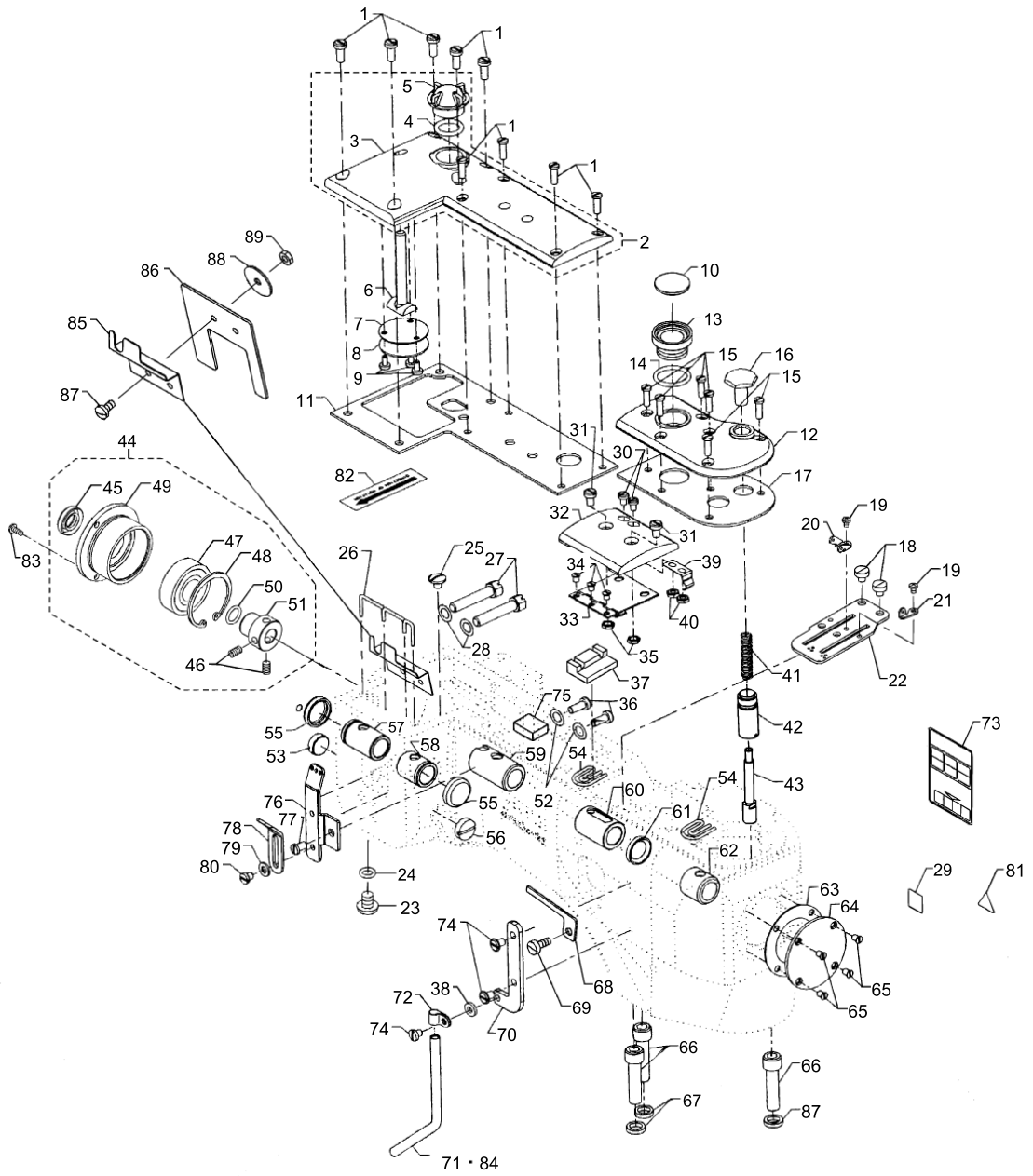
FRAME MISCELLANEOUS & BEARING COMPONENTS



FRAME MISCELLANEOUS & BEARING COMPONENTS

No.	Parts No.	Parts name	Remarks	Level	Cons	Qty
1	SS4111215SP	SCREW 11/64-40 L=12				9
2	40066849	CHAMBER COVER ASSEMBLY				1
3	40070102	TOP COVER REAR		*		1
4	RO148240200	RUBBER RING		*		1
5	22924708	OIL SIGHT WINDOW		*		1
6	40066851	PRESSER SPRING BAR				1
7	40066854	GASKET				1
8	40066855	COVER PLATE				1
9	SM5030655SP	SCREW				3
10	40009014	OIL SIGHT WINDOW				1
11	40068335	GASKET				1
12	40066857	TOP COVER FRONT				1
13	40072348	SCREW				1
14	RO148240200	RUBBER RING				1
15	SM4041255SP	SCREW M4 L=12				6
16	40066864	LOOPER THROW OUT PLUNGER KNOB				1
17	40068341	GASKET				1
18	SM6050800SP	SCREW M5 L=8				2
19	SS4080515SP	SCREW 1/8-44 L=5				2
20	40066865	CAST OFF PLATE EYELET				1
21	40066866	CAST OFF PLATE EYELET				1
22	40068345	CAST OFF PLATE				1
23	13171004	DRAIN SCREW				1
24	13170105	RUBBER RING				1
25	SM6050660TP	SCREW				1
26	CQ303000000	OIL WICK				0.15
27	SM6063002TP	SCREW M6 L=30				2
28	WP0651056SD	WASHER 6.5X11X1				2
29	CM600100101	WEEE MARK LABEL S				1
30	SS7090710SP	SCREW 9/64-40 L=6.8				2
31	SS6111010TP	SCREW 11/64-40 L=9.5				2
32	40070062	TOP COVER				1
33	40066875	MIDDLE TOP COVER HINGE				1
34	SS6090420SP	SCREW 9/64-40 L=4.0				3
35	NS6110350SP	NUT 11/64-40				2
36	SS7121410TP	SCREW 3/16-28 L=14				2
37	40066876	SEAL LOWER				1
38	B144418000B	WASHER				1
39	40066878	SPRING TOP COVER				1
40	NS6090310SP	NUT 9/64-40				2
41	40066880	LOOPER THROW OUT PLUNGER SPRING				1
42	40066881	LOOPER THROW OUT BUSHING				1
43	40068368	LOOPER THROW OUT PLUNGER				1
44	40066882	BEARING HOUSING ASSEMBLY				1
45	40112855	LIP SEAL		*		1
46	SS8660612TP	SCREW 1/4-40 L=6		*		2
47	SB120002200	BEARING		*		1

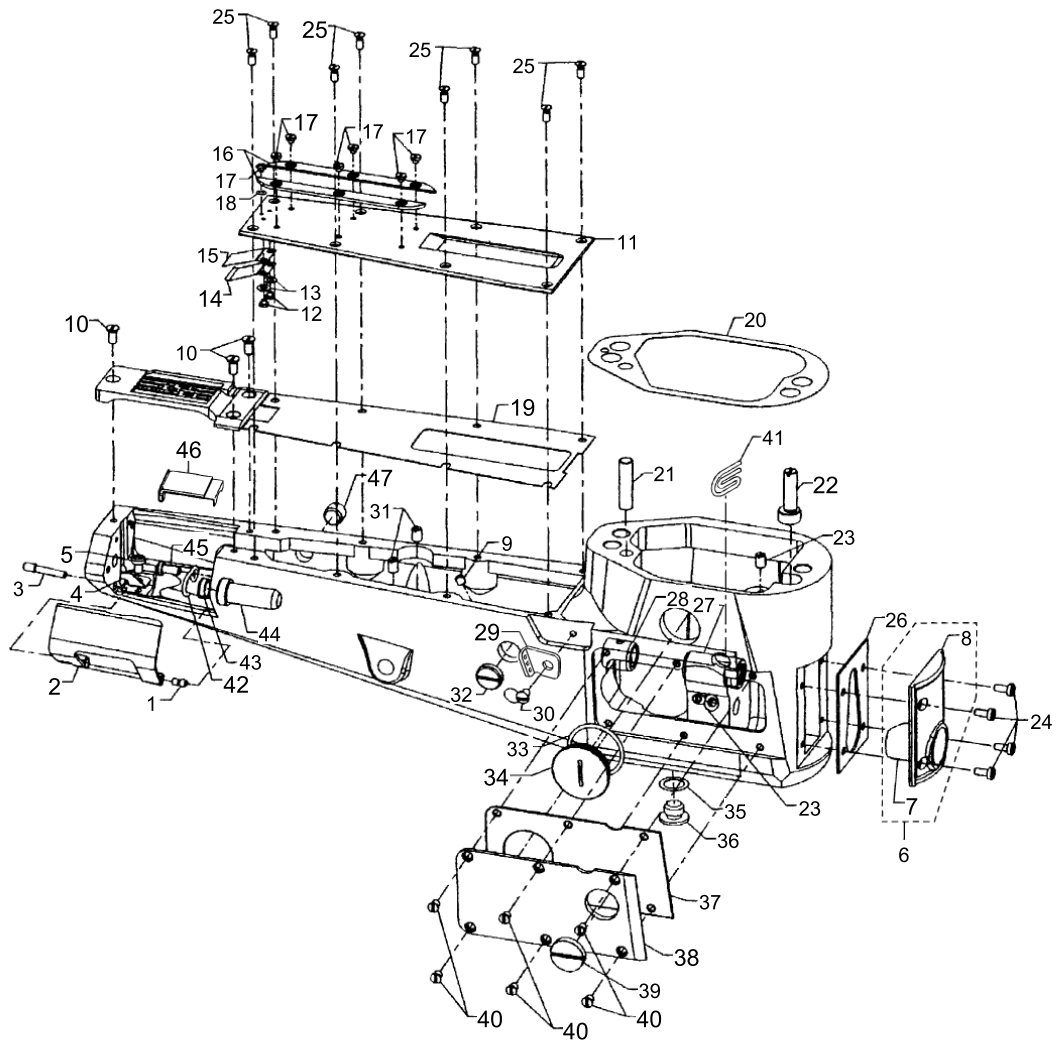
FRAME MISCELLANEOUS & BEARING COMPONENTS



FRAME MISCELLANEOUS & BEARING COMPONENTS

No.	Parts No.	Parts name	Remarks	Level	Cons	Qty
48	40068371	RETAINING RING		*		1
49	40068645	BEARING HOUSING		*		1
50	40070015	O-RING		*		1
51	40066884	ADAPTOR BEARING		*		1
52	WP0480856SP	WASHER 4.8X8.4X0.8				2
53	40070075	PLUG SCREW				1
54	CQ200000000	OIL WICK				0.2
55	40066891	BUSHING CAP PLASTIC				2
56	40066892	PLUG SCREW				1
57	40066893	NEEDLE LEVER SHAFT BUSHING REAR				1
58	40066894	NEEDLE LEVER SHAFT BUSHING FRONT				1
59	40066895	CRANK SHAFT BUSHING REAR				1
60	40066896	MAIN SHAFT BUSHING CENTER				1
61	40112856	OIL SEAL				1
62	40066898	MAIN SHAFT BUSHING FRONT				1
63	40066899	GASKET				1
64	40070157	ROLLER END COVER				1
65	SS1090520TP	SCREW 9/64-40 L=5				4
66	40009520	SCREW 5/16-24 L=38				3
67	40066902	WASHER				3
68	40066903	LOOPER THREAD GUIDE BASE				1
69	SS6110610TP	SCREW 11/64-40 L=6				1
70	40069957	THREAD GUIDE				1
71	40068376	LOOPER GUIDE COVER	WITH DIFFERENTIAL FEED			1
72	40067249	CLAMP TUBE				1
73	CM301200001	SAFETY LABEL_S				1
74	SS6110610TP	SCREW 11/64-40 L=6				3
75	40083065	FELT				1
76	40066905	NEEDLE THREAD EYELET THREE HOLES				1
77	SS7110840SP	SCREW 11/64-40 L=7.8				1
78	40066906	NEEDLE THREAD EYELET THREE HOLES				1
79	WP0450801SP	WASHER				1
80	SS6110610TP	SCREW 11/64-40 L=6				1
81	CM300200001	ATTENTION SEAL				3
82	CM500300001	DIRECTION LABEL				1
83	SS4111015SP	SCREW 11/64-40 L=10				3
84	40068378	LOOPER GUIDE PIPE	WITHOUT DIFFERENTIAL FEED			1
85	40066890	OIL SHIELD				1
86	40073130	RUBBER				1
87	SS7090850SP	SCREW 9/64-40 L=8				2
88	WP0370316SD	WASHER 3.7X8X0.3				2
89	NS6090310SP	NUT 9/64-40				2

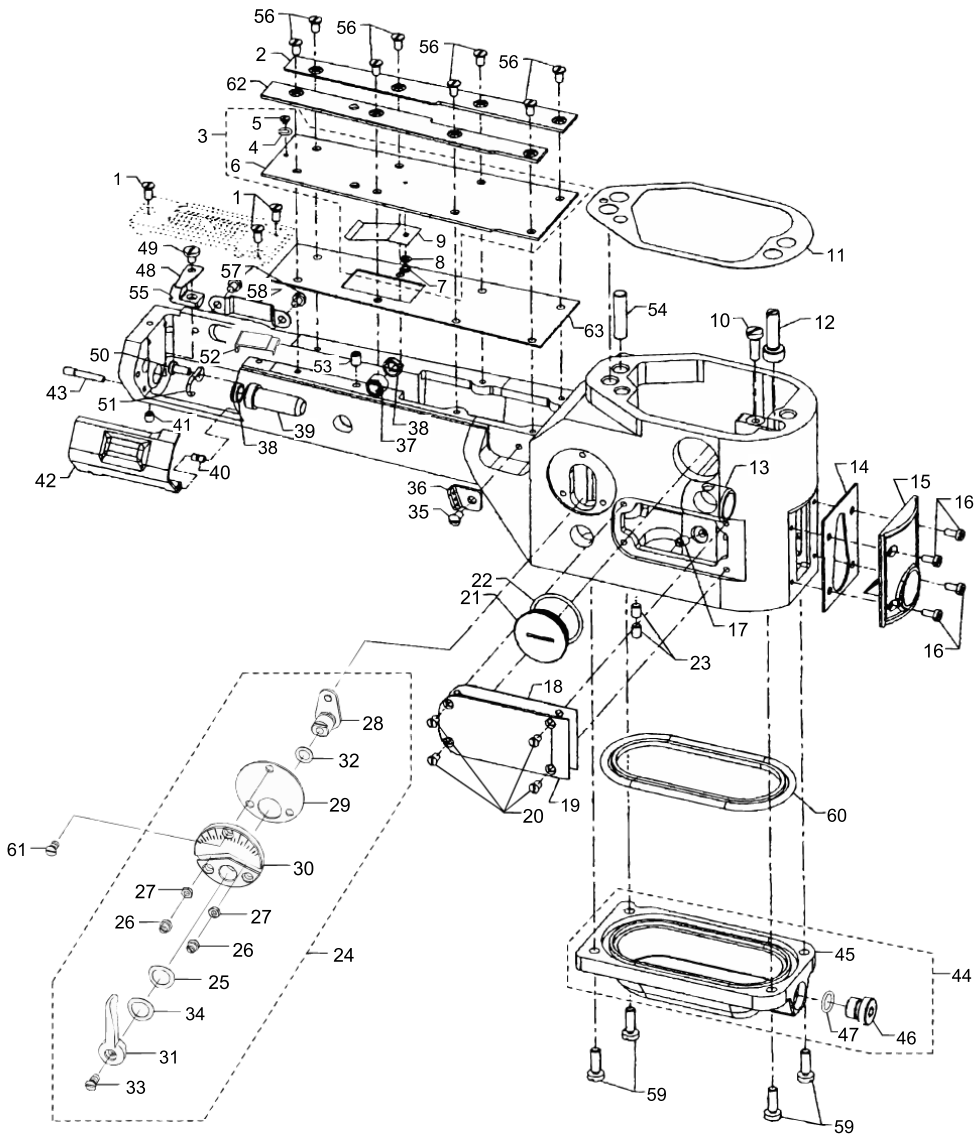
FRAME MISCELLANEOUS, BEARING & FOLDER COMPONENTS (FOR MS-3580SF/0SN)



FRAME MISCELLANEOUS, BEARING & FOLDER COMPONENTS (FOR MS-3580SF/0SN)

No.	Parts No.	Parts name	Remarks	Level	Cons	Qty
1	40066909	PIN				1
2	40066911	LOOPER COVER				1
3	40066912	SCREW PIN				1
4	40066913	SPRING			☆	1
5	SS6090670TP	SCREW 9/64-40 L=6				1
6	40066920	CYLINDER COVER AND OIL GAUGE				1
7	40066923	OIL GAUGE		*		1
8	40069993	CYLINDER COVER FRONT		*		1
9	SS8110520TP	SCREW 11/64-40 L=4.5				1
10	40069884	SCREW			☆	3
11	40068382	CYLINDER COVER				1
12	SS4060310SP	SCREW 3/32-56 L=2.5				2
13	40070319	WASHER				2
14	40066914	CYLINDER LINT SHIELD UPPER				1
15	40066915	CYLINDER LINT SHIELD SPRING				1
16	40066916	SLIDE PLATE				2
17	40069883	SCREW				7
18	WS0310002UZ	WASHER				1
19	40068383	GASKET				1
20	40066917	GASKET				1
21	40066918	DOWEL PIN STRAIGHT				1
22	40066919	ECCENTRIC PIN				1
23	SS8110710SP	SCREW 11/64-40 L=6.5				2
24	SS4080620TP	SCREW 1/8-44 L=6				4
25	SS2080810SP	SCREW 1/8-44 L=7.5				8
26	40068384	GASKET				1
27	40066924	LOOPER SHAFT BUSHING FRONT				1
28	40066925	LOOPER SHAFT BUSHING MIDDLE				1
29	40067013	LOOPER THREAD EYELET				1
30	SS5090610SP	SCREW 9/64-40 L=6				1
31	SS8110710SP	SCREW 11/64-40 L=6.5				2
32	40066927	PLUG SCREW				1
33	40066928	O RING				1
34	40066929	PLUG SCREW				1
35	13170105	RUBBER RING				1
36	13171004	DRAIN SCREW				1
37	40068386	GASKET				1
38	40070350	CYLINDER SIDE COVER				1
39	TA2050406R0	RUBBER PLUG				1
40	SS6090440SP	SCREW 9/64-40 L=4.0				6
41	CQ200000000	OIL WICK				0.6
42	40070071	CYLINDER LOOPERTHREAD GUIDEWIRE				1
43	40112857	OIL SEAL FOR 35850G				1
44	40066969	LOOPER SHAFT BUSHING REAR				1
45	SS7090710SP	SCREW 9/64-40 L=6.8				1
46	40082006	LOWER LINT SHIELD ASM.				1
47	40066975	PLUG SCREW				1

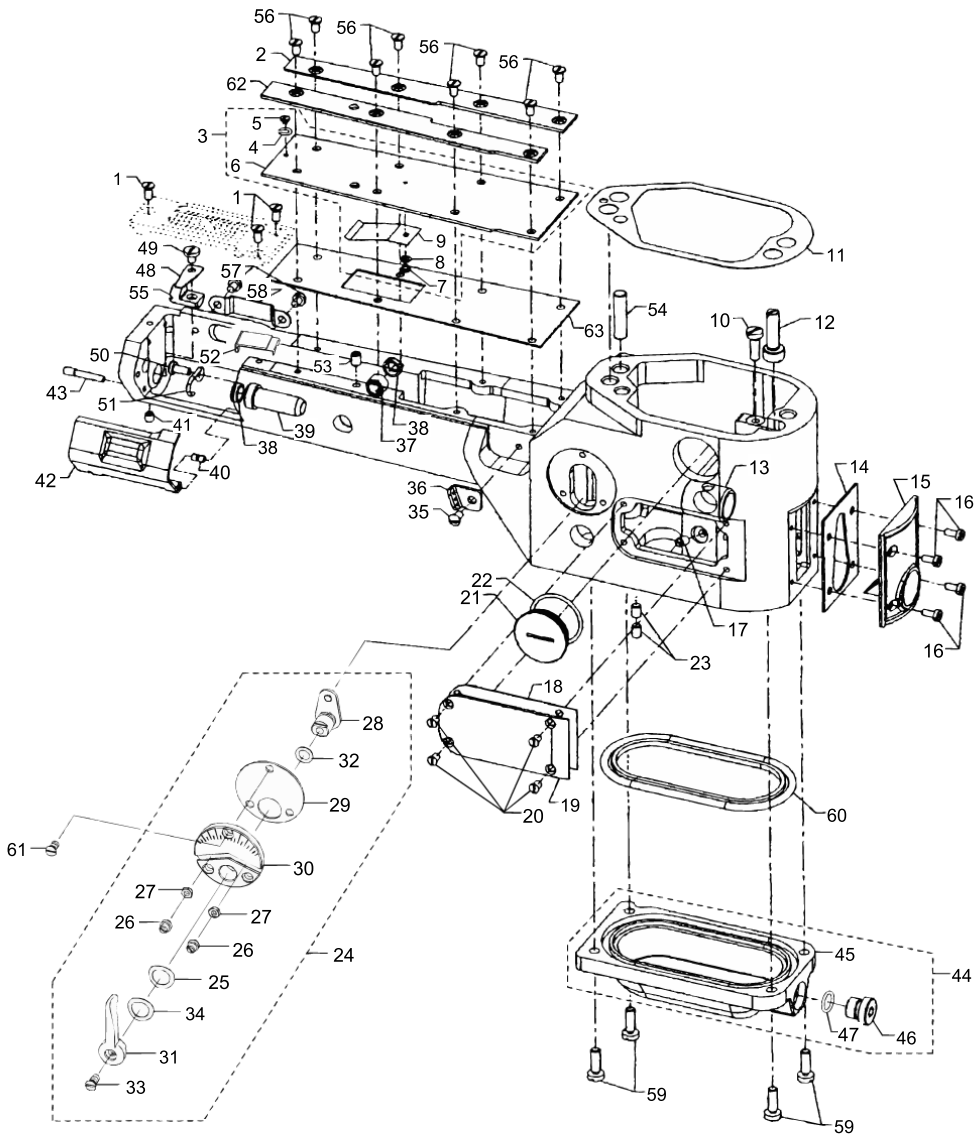
FRAME MISCELLANEOUS, BEARING & FOLDER COMPONENTS (FOR MS-3580SF/1SN)



FRAME MISCELLANEOUS, BEARING & FOLDER COMPONENTS (FOR MS-3580SF/1SN)

No.	Parts No.	Parts name	Remarks	Level	Cons	Qty
1	40069884	SCREW			☆	3
2	40066998	SLIDE PLATE RIGHT				1
3	40069920	CYLINDER COVER ASM.				1
4	WS0310002UZ	WASHER		*		1
5	40069883	SCREW		*		1
6	40067001	CYLINDER COVER		*		1
7	40069919	SCREW		*		1
8	WP0330500MB	WASHER 3.3X6X0.5		*		1
9	40069921	SHIELD SPRING		*		1
10	SS7111410TP	SCREW 11/64-40 L=14				1
11	40066917	GASKET				1
12	40066919	ECCENTRIC PIN				1
13	40067003	LOOPER SHAFT BUSHING FRONT				1
14	40068384	GASKET				1
15	40066920	CYLINDER COVER AND OIL GAUGE				1
16	SS4080620TP	SCREW 1/8-44 L=6				4
17	SS8110710SP	SCREW 11/64-40 L=6.5				1
18	40068391	GASKET				1
19	40070346	CYLINDER SIDE COVER				1
20	SS6090440SP	SCREW 9/64-40 L=4.0				4
21	40066929	PLUG SCREW				1
22	40066928	O RING				1
23	SS8110710SP	SCREW 11/64-40 L=6.5				2
24	40074648	DIFF_FEED_CONTROL_ASSY				1
25	40067008	SPRING WASHER		*		1
26	40067009	STOP SCREW PIN		*		2
27	40068392	NUT		*		2
28	40074649	ADJUSTING_LEVER		*		1
29	40074653	GASKET		*		1
30	40074654	ADJUSTING PLATE		*		1
31	40074655	OPERATING_LEVER		*		1
32	RO061180100	RUBBER RING		*		1
33	SM1040950TP	SCREW M4 L=9		*		1
34	WP0951016SP	WASHER 9.53X15X1		*		1
35	SS5090610SP	SCREW 9/64-40 L=6				1
36	40067013	LOOPER THREAD EYELET				1
37	40067014	BUSHING FOR FEED BAR ECCENTRIC STUD				1
38	40112857	OIL SEAL FOR 35850G				2
39	40066969	LOOPER SHAFT BUSHING REAR				1
40	40066909	PIN				1
41	SS8110710SP	SCREW 11/64-40 L=6.5				1
42	40067050	LOOPER COVER				1
43	40066912	SCREW PIN				1
44	40067055	BOTTOM COVER				1
45	40069994	OIL RESERVOIR		*		1
46	40068448	OIL RESERVOIR SCREW		*		1
47	RO098190100	RUBBER RING		*		1

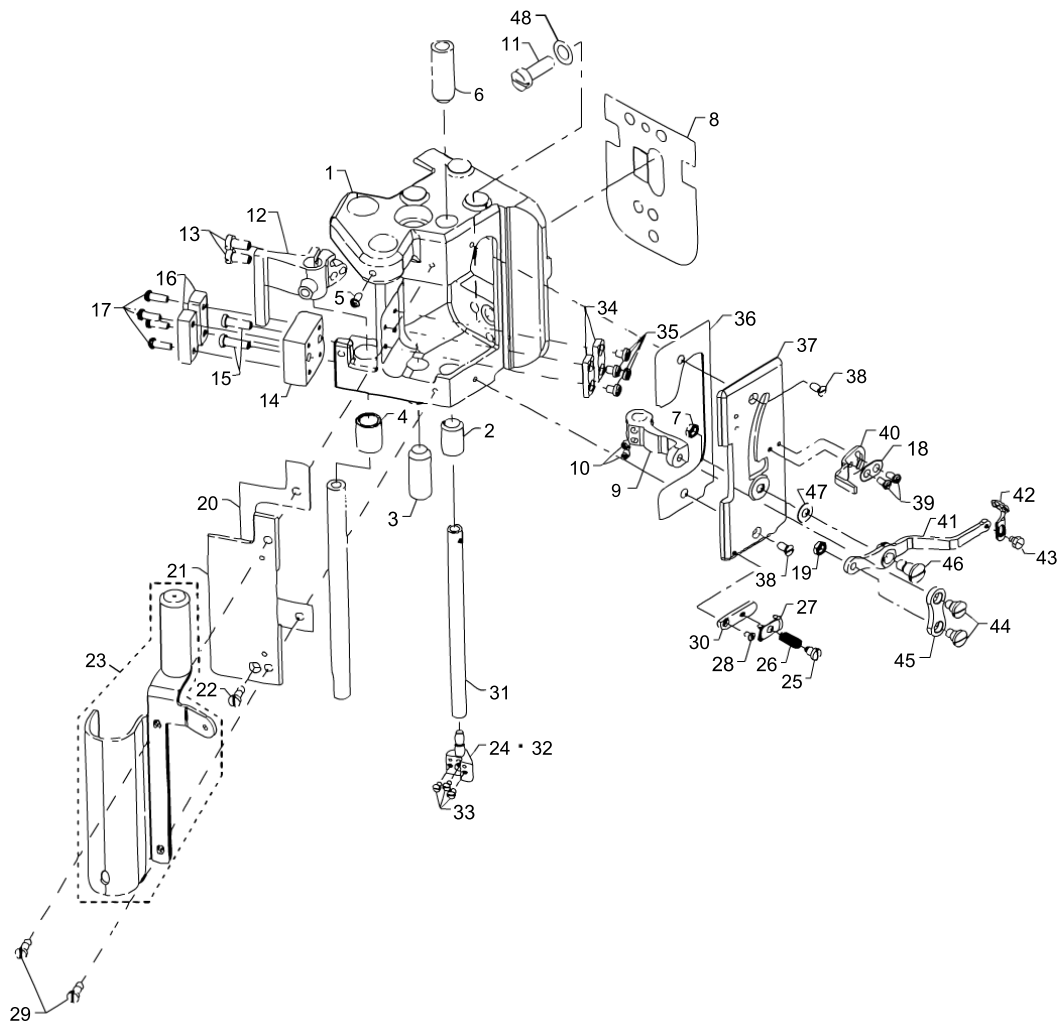
FRAME MISCELLANEOUS, BEARING & FOLDER COMPONENTS (FOR MS-3580SF/1SN)



FRAME MISCELLANEOUS, BEARING & FOLDER COMPONENTS (FOR MS-3580SF/1SN)

No.	Parts No.	Parts name	Remarks	Level	Cons	Qty
48	40067051	CYLINDER COVER SPRING			☆	1
49	SS7090510SP	SCREW 9/64-40 L=4.6				1
50	SS7090710SP	SCREW 9/64-40 L=6.8				1
51	40070071	CYLINDER LOOPERTHREAD GUIDE WIRE				1
52	40082003	LOWER LINT SHIELD ASM.				1
53	SS8110710SP	SCREW 11/64-40 L=6.5				1
54	40066918	DOWEL PIN STRAIGHT				1
55	40068395	CYLINDER HINGED COVER SPRING SUPPORT STU				1
56	40069882	SCREW				8
57	SS7090520TP	SCREW 9/64-40 L=4.5				2
58	40067054	CYLINDER GUARD FOR LOOPER				1
59	SS7111410TP	SCREW 11/64-40 L=14				4
60	40067059	GASKET				1
61	SS2090810SP	SCREW 9/64-40 L=7.5				3
62	40066996	SLIDE PLATE LEFT				1
63	40068389	GASKET				1

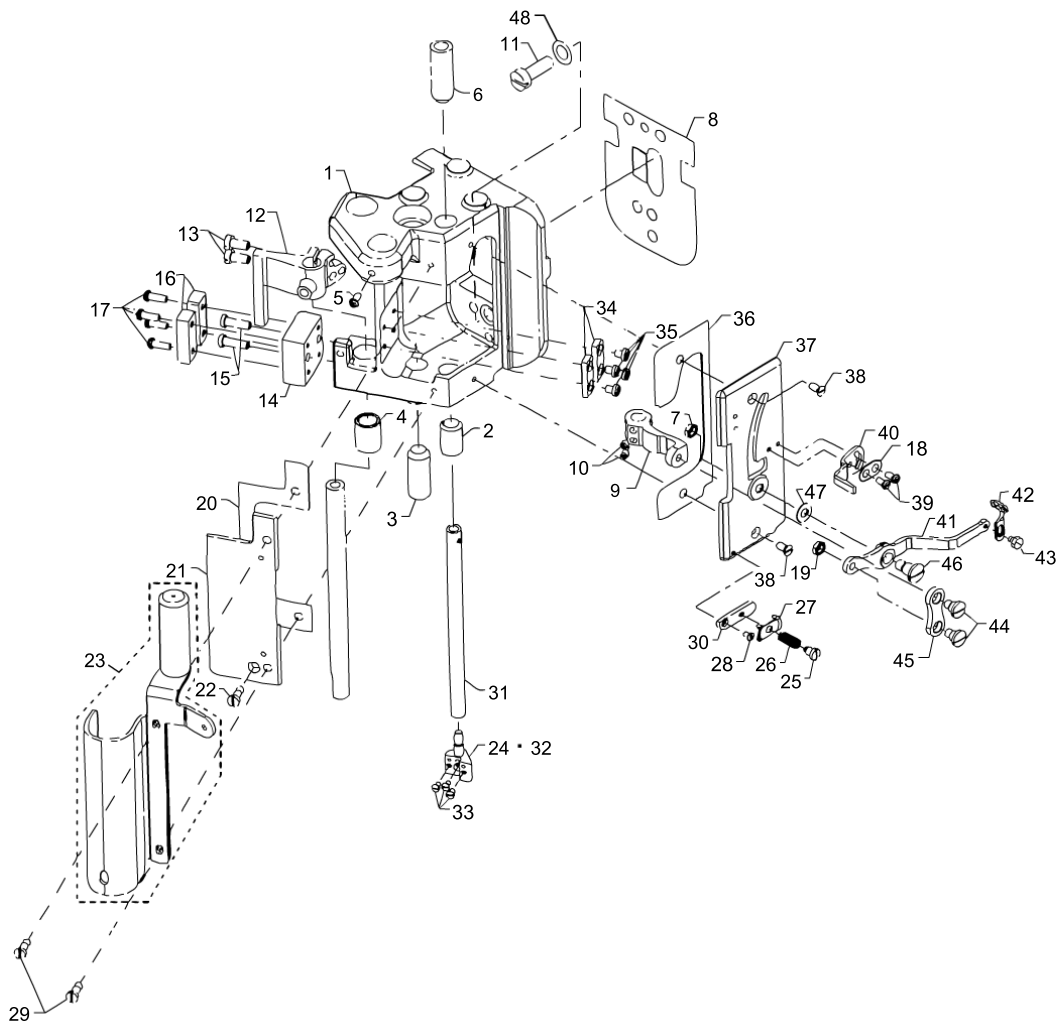
DETACHABLE HEAD COMPONENTS



DETACHABLE HEAD COMPONENTS

No.	Parts No.	Parts name	Remarks	Level	Cons	Qty
1	40070158	DETACHABLE HEAD MASKING				1
2	40082711	NEEDLE BAR LOWER BUSHING				1
3	40067073	PRESSER BAR BUSHING				1
4	40067074	BUSHING				1
5	40082705	SCREW 3/16-28 L=12				1
6	40082712	NEEDLE BAR UPPER BUSHING				1
7	NS6150350SP	NUT 15/64-28				2
8	40067078	PLATE BAFFLE				1
9	40068294	THRAED CONTROLLER ARM				1
10	SS8110520TP	SCREW 11/64-40 L=4.5				2
11	SM6062002TP	SCREW M6 L=20				1
12	40068293	GUIDE PLATE				1
13	SS6121010SP	SCREW 3/16-28 L=10				2
14	40068397	BLOCK SUPPORT REAR GUIDE				1
15	SS7121410TP	SCREW 3/16-28 L=14				2
16	40068398	GUIDE PLATE				2
17	SS4091015SP	SCREW 9/64-40 L=10				4
18	40078404	WASHER PLATE				1
19	NS6110310SP	NUT 11/64-40				1
20	40068399	COVER HEAD LEFT GASKET				1
21	40070141	SIDE COVER				1
22	SS1090930SP	SCREW 9/64-40 L=8.6				1
23	40067082	NEEDLE ROD ROLLER COVER ASM.				1
24	40067091	NEEDLE HEAD (7.2MM GAUGE)	FOR MS-3580 SG/△△N			1
25	SD0380551SL	HINGE SCREW D=3.80 H=5.5				1
26	B1132521000	THREAD PRESSER PLATE SPRING				1
27	10129104	THREAD PRESSER PLATE				1
28	SS6090610SP	SCREW 9/64-40 L=5.5				1
29	SS7091110TP	SCREW 9/64-40 L=10.5				2
30	40068409	NEEDLE THREAD NIPPER BASE				1
31	40068401	NEEDLE BAR				1
32	40067090	NEEDLE HEAD (6.4MM GAUGE)	FOR MS-3580 SF/△△N			1
33	SS6080410SP	SCREW 1/8-44 L=4			☆	3
34	40068402	PLATE GUIDE PRESSER BAR				2
35	SS6090440SP	SCREW 9/64-40 L=4.0				4
36	40068403	COVER HEAD FRONT GASKET				1
37	40069768	FRONT HEAD COVER				1
38	SS1090930SP	SCREW 9/64-40 L=8.6				2
39	SS4080620TP	SCREW 1/8-44 L=6				2
40	40068405	NEEDLE THREAD HOLDER ADJUSTING PLATE				1
41	40067092	NEEDLE THREAD CONTROL LEVER				1
42	40067093	NEEDLE THREAD CONTROL LEVER EYELET				1
43	40082960	SCREW 1/8-44 L=4.3				1
44	40068656	SHOULDER SCREW				2
45	40067094	CONTROL LEVER CONNECTION LINK				1
46	40069800	SHOULDER SCREW				1
47	WP0740516SP	WASHER 7.4X11.8X0.5				2

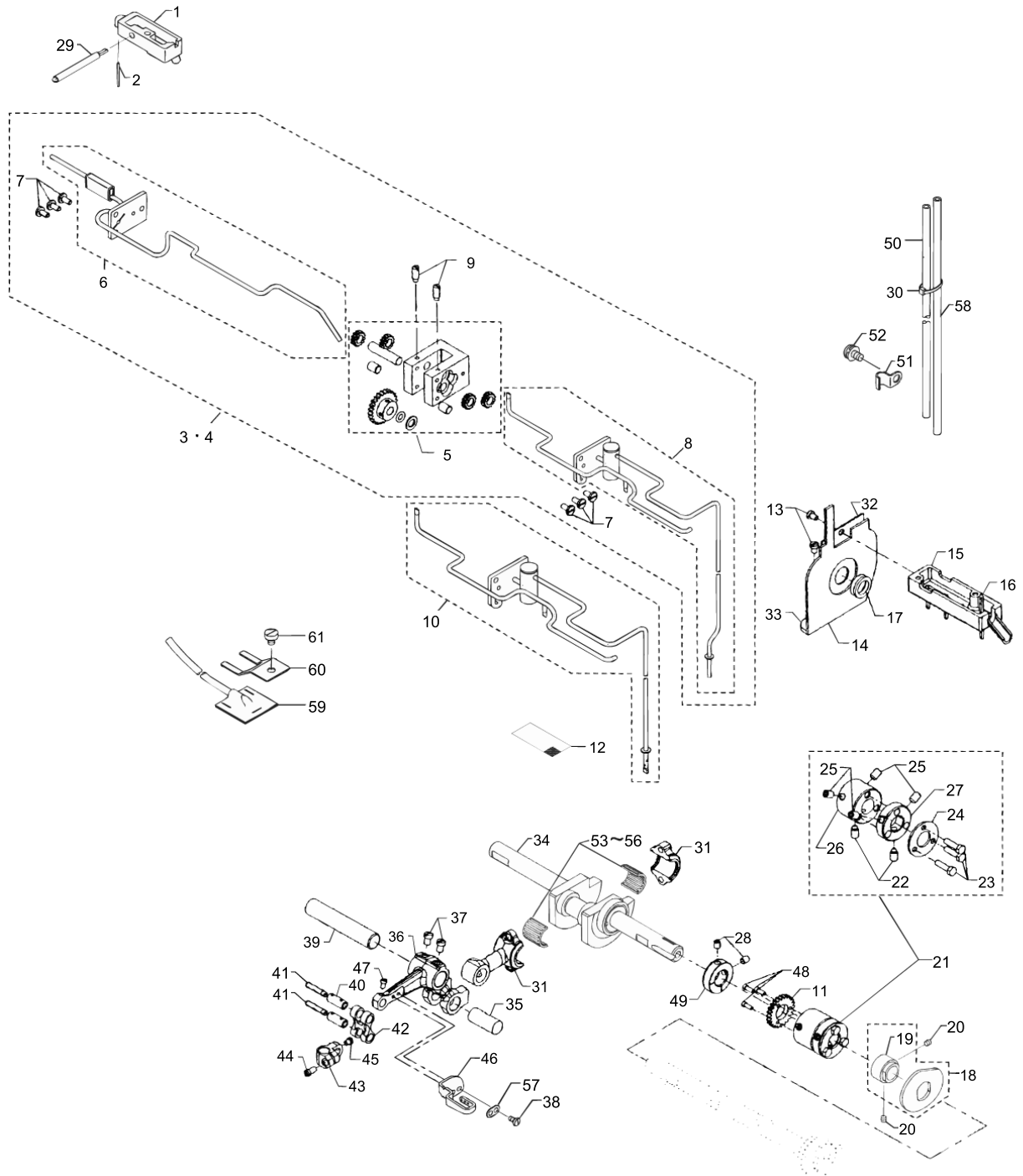
DETACHABLE HEAD COMPONENTS



DETACHABLE HEAD COMPONENTS

No.	Parts No.	Parts name	Remarks	Level	Cons	Qty
48	WP0651056SD	WASHER 6.5X11X1				1

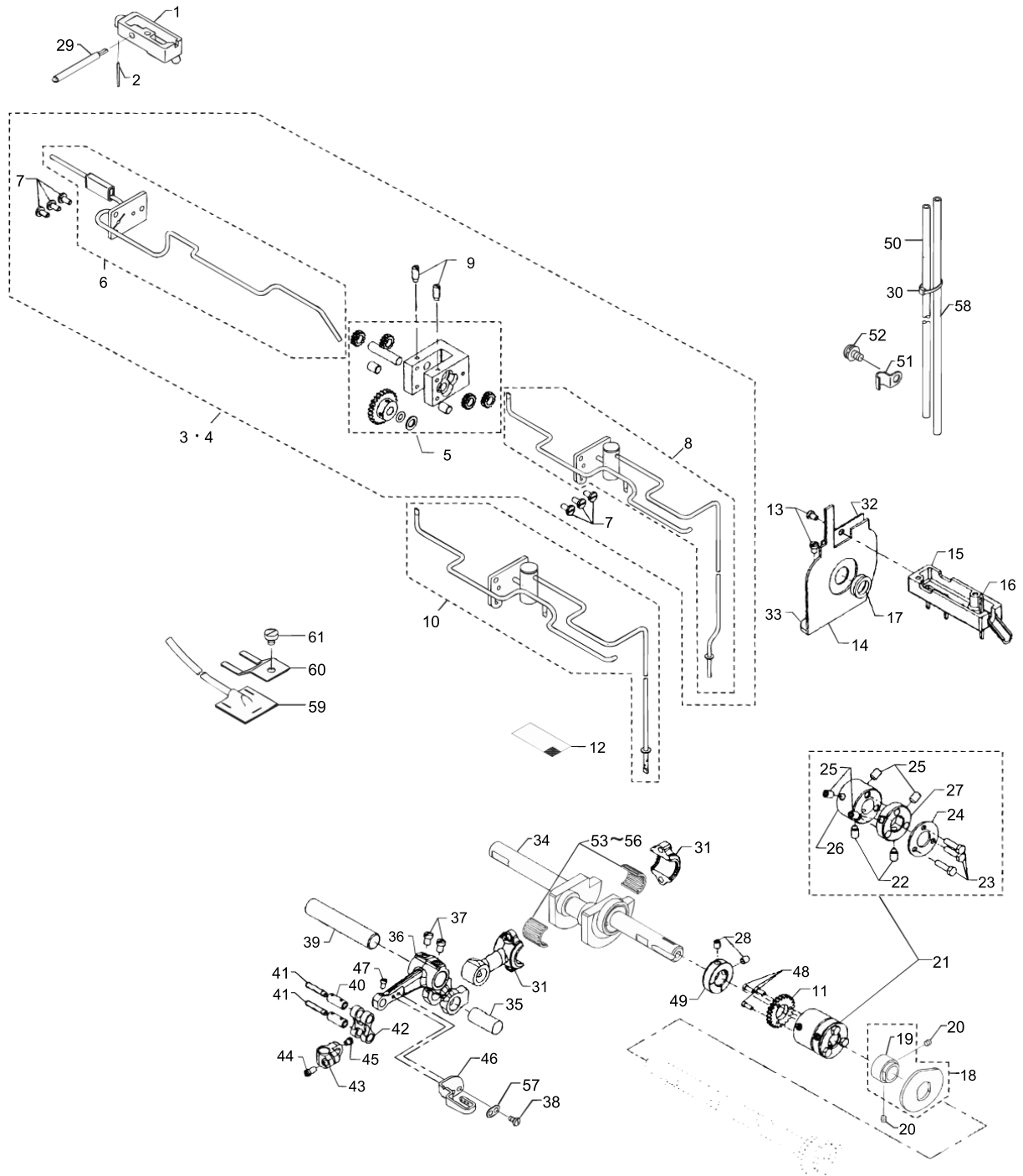
OIL LUBRICATION & NEEDLE DRIVING COMPONENTS



OIL LUBRICATION & NEEDLE DRIVING COMPONENTS

No.	Parts No.	Parts name	Remarks	Level	Cons	Qty
1	40068410	OIL RESERVOIR BACK				1
2	CQ200000000	OIL WICK				0.11
3	40067100	OIL PUMP ASSEMBLY	WITH DIFFERENTIAL FEED			1
4	40067101	OIL PUMP ASSEMBLY	WITHOUT DIFFERENTIAL FEED			1
5	40068413	OIL PUMP ASSEMBLY		*		1
6	40067102	OIL PUMP ASSEMBLY COVER REAR		*		1
7	SS6090630TP	SCREW 9/64-40 L=6		*		6
8	40068419	OIL PUMP HOUSING COVER FRONT ASM.	WITH DIFFERENTIAL FEED	*		1
9	40068420	VENT SCREW FOR OIL PUMP		*		2
10	40067109	OIL PUMP HOUSING COVER FRONT ASM.	WITHOUT DIFFERENTIAL FEED			1
11	40068426	OIL PUMP DRIVING GEAR				1
12	40098071	FILTER				1
13	SM4040855SP	SCREW				2
14	40067118	GASKET				1
15	40067121	OIL RESERVOIR FRONT				1
16	CQ200000000	OIL WICK				0.4
17	40112858	OIL SEAL RING				1
18	40068421	LOWER THREAD CAM				1
19	40067124	HUB BLANK		*		1
20	SS8110410TP	SCREW 11/64-40 L=3.5				2
21	40068422	MAIN SHAFT COUPLING				1
22	40068601	SPOT SCREW		*		2
23	40070353	SCREW		*		3
24	40068424	WASHER PLATE		*		1
25	SM8050812TP	SCREW M5X8		*		4
26	40068423	SHAFT COUPLING A		*		1
27	40068425	SHAFT COUPLING B		*		1
28	SM8050812TP	SCREW M5X8				2
29	40068921	OIL RESERVOIR OUTLET TUBE ASM.				1
30	EA9500B0000	CLIP CV-70S				4
31	40068295	NEEDLE LEVER CONNECTION ROD				1
32	40067119	TAKE-UP SHIELD				1
33	40067120	FELT				1
34	40067125	CRANKSHAFT				1
35	40081693	NEEDLE LEVER CONNECTION ROD ASM.				1
36	40068312	NEEDLE LEVER				1
37	SS6110650TP	SCREW 11/64-40 L=5.5				2
38	SS4080620TP	SCREW 1/8-44 L=6				2
39	40067132	NEEDLE LEVER SHAFT				1
40	40067133	LINK PIN				2
41	CQ303000000	OIL WICK				0.45
42	40068311	NEEDLE LEVER LINK				1
43	40068377	NEEDLE BAR CONNECTION				1
44	SS7111120TP	SCREW			☆	1
45	SS6090510TP	SCREW 9/64-40 L=5.0				1
46	40068429	NEEDLE LEVER THREAD EYELET				1
47	SS6080720SP	SCREW				1

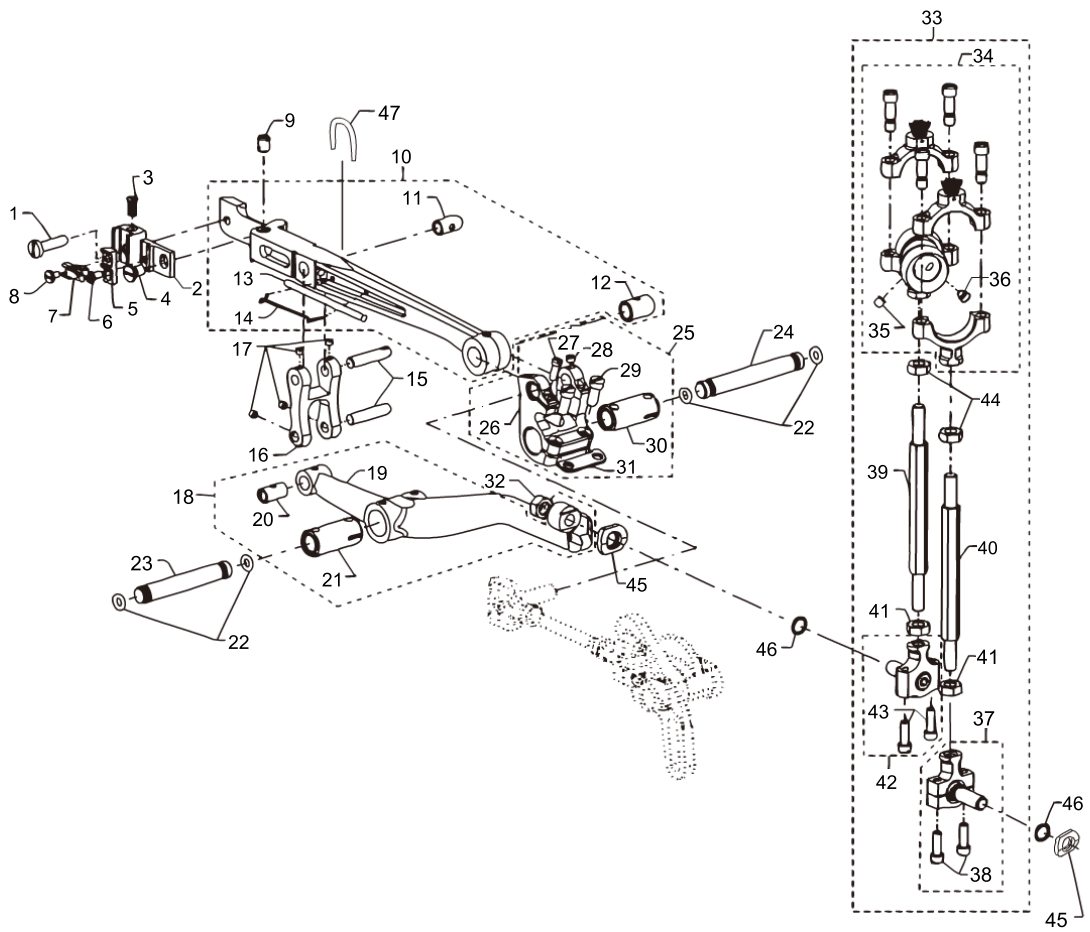
OIL LUBRICATION & NEEDLE DRIVING COMPONENTS



OIL LUBRICATION & NEEDLE DRIVING COMPONENTS

No.	Parts No.	Parts name	Remarks	Level	Cons	Qty
48	SM6030850TP	SCREW M3 L=8				3
49	40068427	COLLAR				1
50	40072351	OIL RETURN TUBE				1
51	B3538112000	OIL RETURN TUBE HOLDER				1
52	SL4040881SC	SCREW M4 L=8				1
53	40075304	NEEDLE BEARING A	SELECTIVE PARTS			1
54	40075305	NEEDLE BEARING B	SELECTIVE PARTS			1
55	40075306	NEEDLE BEARING C	SELECTIVE PARTS			1
56	40075307	NEEDLE BEARING D	SELECTIVE PARTS			1
57	40078404	WASHER PLATE				1
58	BT0500300EA	OIL TUBE				0.19
59	40082824	FELT ASM.				1
60	40082833	FELT PRESSER				1
61	SM6050660TP	SCREW				1

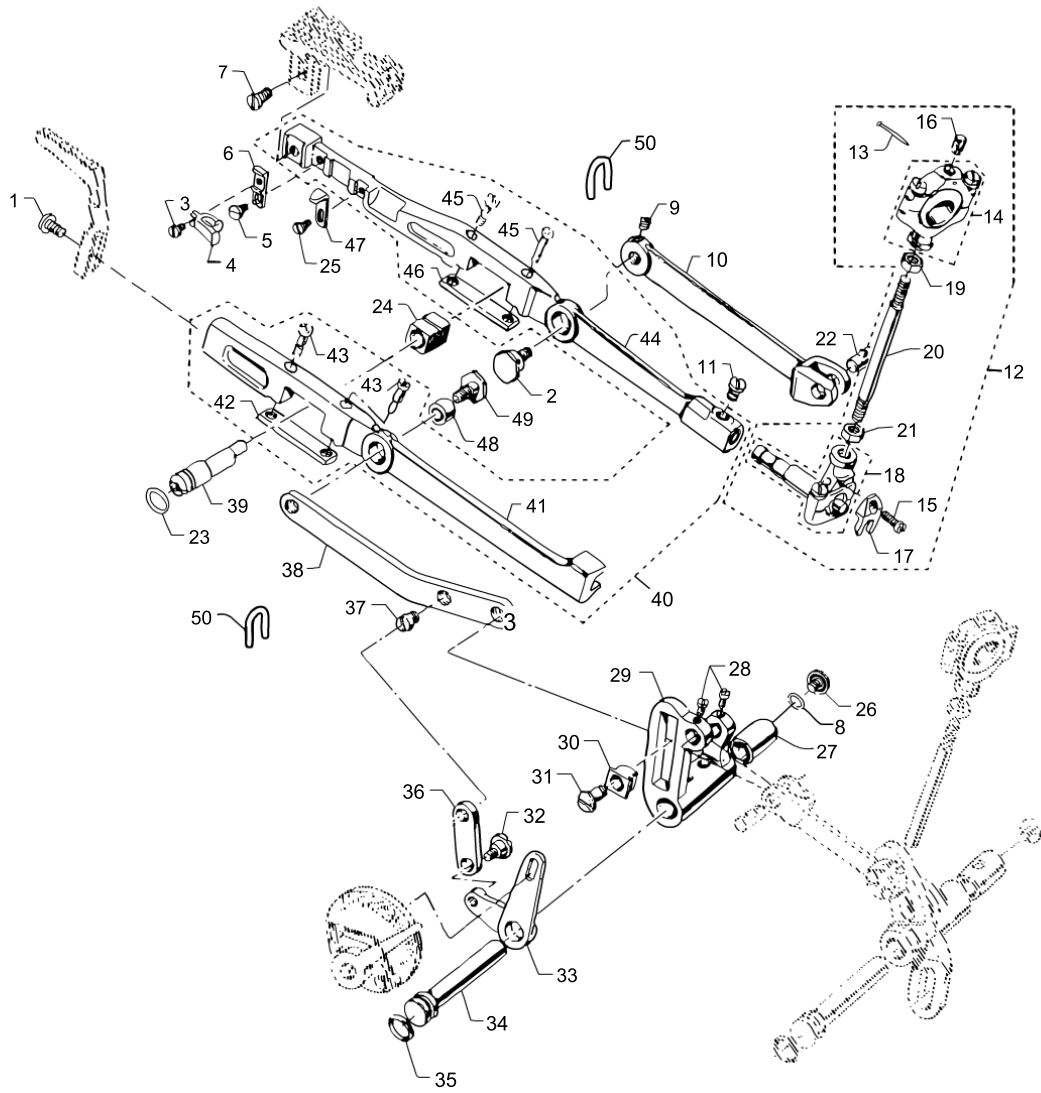
FEED MECHANISM COMPONENTS (FOR MS-3580SF/0SN)



FEED MECHANISM COMPONENTS (FOR MS-3580SF/0SN)

No.	Parts No.	Parts name	Remarks	Level	Cons	Qty
1	SS6111620SP	SCREW 11/64-40 L=16.0				1
2	40067134	FEED DOG HOLDER				1
3	SS2090710TP	SCREW 9/64-40 L=7.2				1
4	SS6110610TP	SCREW 11/64-40 L=6			☆	1
5	40068430	NEEDLE GUARD HOLDER				1
6	40068794	SCREW				1
7	40068296	NEEDLE GUARD			☆	1
8	40068794	SCREW			☆	1
9	SM8061010TP	SCREW				1
10	40068431	FEED BAR ASM.				1
11	40067137	BUSHING		*		1
12	40067138	BUSHING		*		1
13	40068432	OIL FELT		*		2
14	40067139	WIRE SPRING CLIP		*		1
15	40067140	LINK PIN				2
16	40067141	LINK				1
17	SS8080310TP	SCREW 1/8-44 L=2.8				4
18	40069753	FEED LIFTER LEVER ASM.				1
19	40068433	FEED LIFTER LEVER		*		1
20	40067142	BUSHING		*		1
21	40069453	FEED ROCKER BUSHING		*		1
22	40068434	O RING				4
23	40067144	FEED LIFT LEVER SHAFT				1
24	40067145	FEED ROCKER SHAFT				1
25	40068435	FEED ROCKER				1
26	40069155	FEED ROCKER		*		1
27	40102214	SCREW		*		1
28	SS8080310TP	SCREW 1/8-44 L=2.8		*		1
29	SS7111110TP	SCREW 11/64-40 L=10.5		*		2
30	40069453	FEED ROCKER BUSHING		*		1
31	40067147	FEED ROCKER BUSHING KEY		*		1
32	NS6660430SP	NUT 1/4-40				1
33	40067148	CONNECTING ROD ASSEMBLY				1
34	40068436	AVOID ECCENTRIC		*		4
35	SS8110432SP	SCREW 11/64-40 L=4.1		*		1
36	40069886	SCREW		*		1
37	40068444	BALL JOINT		*		1
38	40069771	SCREW 9/64-40 L=12		*		2
39	40068438	FEED LIFT ECCENTRIC CONNECTING ROD		*		1
40	40068439	COMBINATION ROD		*		1
41	NM6050001SP	NUT M5		*		2
42	40068441	BALL JOINT ASM.		*		1
43	40069771	SCREW 9/64-40 L=12		*		2
44	40069918	NUT M6 LEFT		*		2
45	40068449	BALL SCREW BRACKET				2
46	40067154	SHIM				4
47	CQ200000000	OIL WICK				0.2

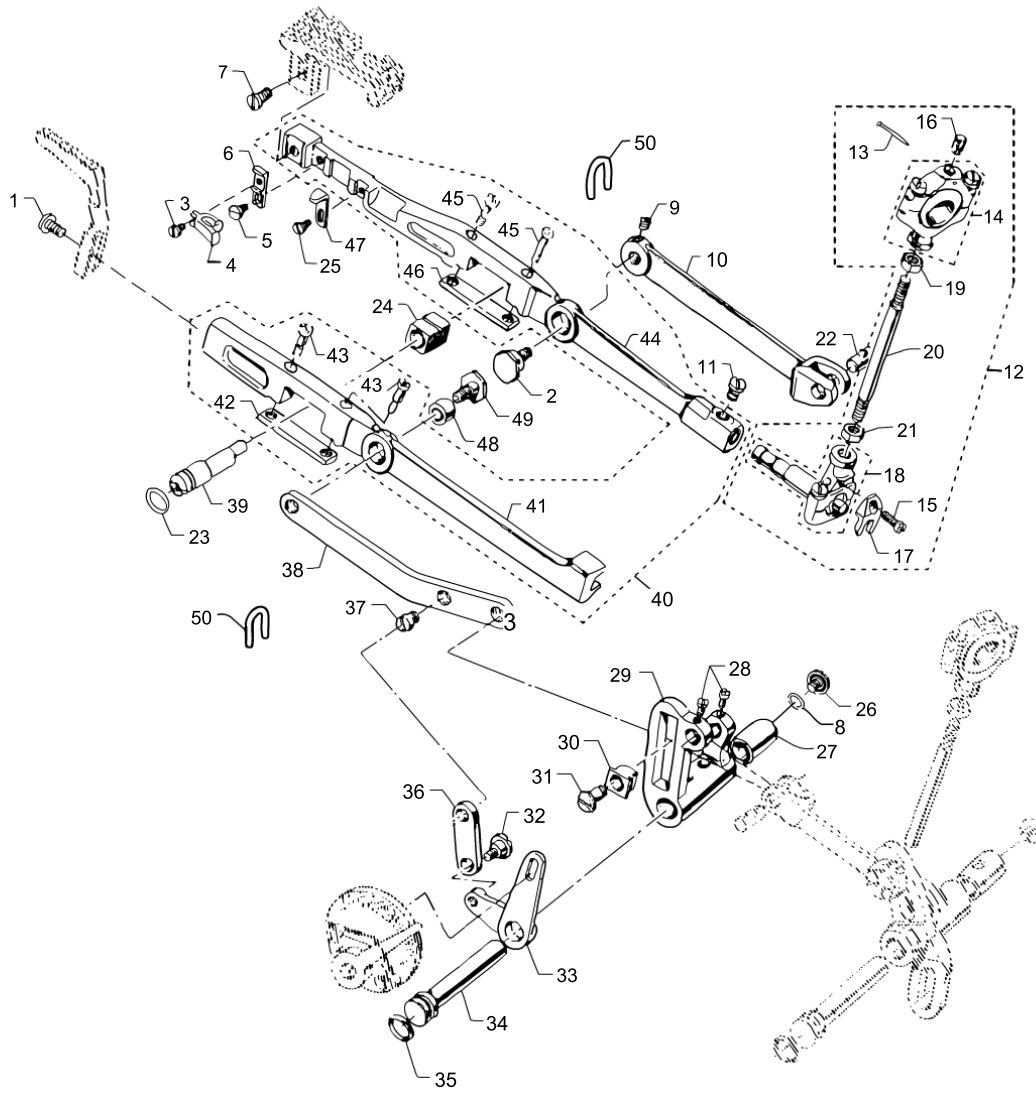
FEED MECHANISM COMPONENTS (FOR MS-3580SF/1SN)



FEED MECHANISM COMPONENTS (FOR MS-3580SF/1SN)

No.	Parts No.	Parts name	Remarks	Level	Cons	Qty
1	SS6111010TP	SCREW 11/64-40 L=9.5				1
2	40067174	MAIN FEED BAR ECCENTRIC DRIVING STUD				1
3	40068794	SCREW			☆	1
4	40068296	NEEDLE GUARD			☆	1
5	40068794	SCREW				1
6	40068430	NEEDLE GUARD HOLDER				1
7	SS6111010TP	SCREW 11/64-40 L=9.5				1
8	40076295	RUBBER RING				1
9	SM80404A2TP	SCREW M4 L=4				1
10	40068451	MAIN FEED BAR DRIVING LINK				1
11	SS6110710TP	SCREW 11/64-40 L=6.5				1
12	40067156	FEED LIFT ECCENTRIC ASSEMBLY FOR STYLES				1
13	11856101	NEEDLE COOLER PIN		*		1
14	40068452	FEED LIFT ECCENTRIC ASSEMBLY BALL JOINT		*		1
15	SS6080810SP	SCREW 1/8-44 L=8.0		*		1
16	40067149	FELT		*		1
17	40068461	BALL FORK		*		1
18	40068456	BALL JOINT COMPLETE		*		1
19	40069918	NUT M6 LEFT		*		1
20	40068455	CONNECTING ROD		*		1
21	NM6050001SP	NUT M5		*		1
22	40067155	LINK PIN				1
23	RO061180100	RUBBER RING				1
24	40068470	FEED BAR SLIDE BLOCK				1
25	40069085	SCREW			☆	1
26	40070073	SEALING SCREW				1
27	40067161	BUSHING FOR FEED ROCKER SHAFT				1
28	SS4080515SP	SCREW 1/8-44 L=5				2
29	40068463	FEED ROCKER				1
30	40067166	DIFFERENTIAL FEED DRIVING LINK SLIDE BLO				1
31	40067167	DIFFERENTIAL FEED BAR DRIVING LINK STUD				1
32	40070192	SCREW				1
33	40068465	DIFFERENTIAL FEED ADJUSTING LEVER				1
34	40068466	FEED ROCKER SHAFT				1
35	40076293	RUBBER RING				1
36	40067168	DIFFERENTIAL FEED ADJUSTING LEVER LINK				1
37	40070191	SCREW				1
38	40067169	DIFFERENTIAL FEED BAR DRIVING LINK				1
39	40068467	FEED BAR ECCENTRIC STUD				1
40	40069015	FEED ROCKER ASM.				1
41	40068468	DIFFERENTIAL FEED BAR		*		1
42	40068663	FEED BAR PLATE		*		1
43	40068664	SCREW		*		2
44	40068469	MAIN FEED BAR		*		1
45	40068664	SCREW		*		2
46	40068663	FEED BAR PLATE		*		1
47	40068297	MAIN FEED DOG SUPPORT			☆	1

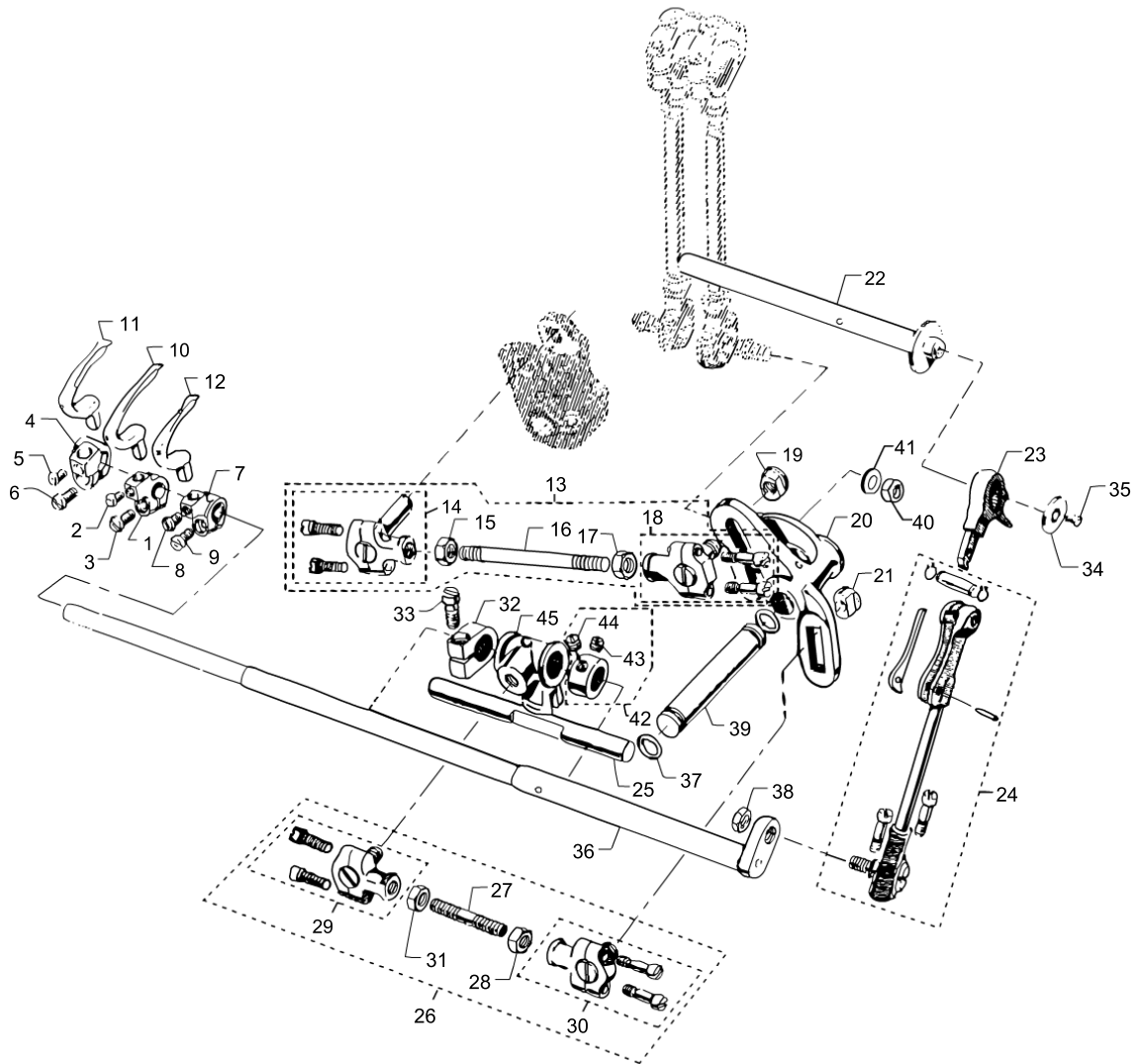
FEED MECHANISM COMPONENTS (FOR MS-3580SF/1SN)



FEED MECHANISM COMPONENTS (FOR MS-3580SF/1SN)

No.	Parts No.	Parts name	Remarks	Level	Cons	Qty
48	40067172	BUSHING				1
49	40067173	DIFFERENTIAL FEED BAR DRIVING				1
50	CQ200000000	OIL WICK				0.12

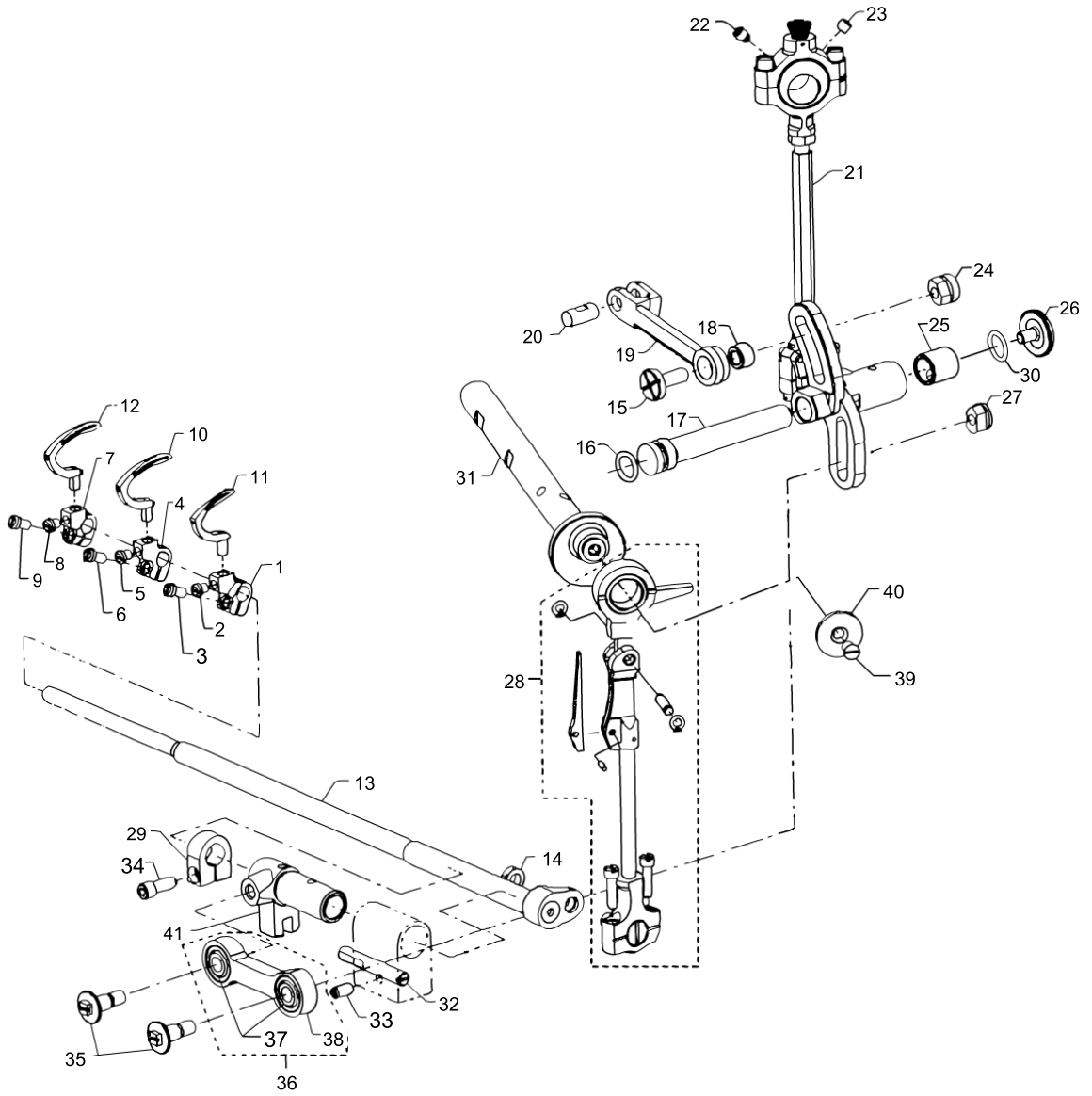
LOOPER DRIVING COMPONENTS (FOR MS-3580SF/0SN)



LOOPER DRIVING COMPONENTS (FOR MS-3580SF/0SN)

No.	Parts No.	Parts name	Remarks	Level	Cons	Qty
1	40068471	LOOPER HOLDER MIDDLE				1
2	40075055	SCREW				1
3	40068817	SCREW			☆	1
4	40068472	LOOPER HOLDER LEFT				1
5	40075055	SCREW				1
6	40068817	SCREW			☆	1
7	40068473	LOOPER HOLDER RIGHT				1
8	40075055	SCREW			☆	1
9	40068817	SCREW				1
10	40068298	LOOPER MIDDLE			☆	1
11	40068299	LOOPER LEFT			☆	1
12	40068300	LOOPER RIGHT			☆	1
13	40067176	FEED ROCKER CONNECTING ROD ASSEMBLY				1
14	40068474	BALL JOINT		*		1
15	NM6050001SP	NUT M5		*		1
16	40067179	CONNECTING ROD		*		1
17	40069128	NUT M5X0.8 LEFT		*		1
18	40068522	BALL JOINT		*		1
19	40067184	NUT				1
20	40068525	FEED ROCKER AND LOOPER AVOID LEVER				1
21	40067180	NUT				1
22	40067183	SHAFT BLANK				1
23	40068816	LOOPER DRIVE CONNECTION ASM.				1
24	40067181	LOOPER DRIVE CONNECTING ROD ASM.				1
25	40068536	CROSS HEAD GUIDE SHAFT				1
26	40068537	CONNECTING ROD ASSEMBLY				1
27	40068539	CONNECTING ROD		*		1
28	40069128	NUT M5X0.8 LEFT		*		1
29	40068538	BALL JOINT		*		1
30	40068540	BALL JOINT		*		1
31	NM6050001SP	NUT M5		*		1
32	40074663	THRUST_COLLAR				1
33	SM6051202TP	SCREW M5X0.8 L=12				1
34	40068531	MAIN SHAFT WASHER				1
35	SS1110840SP	SCREW 11/64-40 L=8				1
36	40068532	FEED ROCKER AND LOOPER LEVER SHAFT				1
37	RO061180100	RUBBER RING				2
38	NS6660430SP	NUT 1/4-40				1
39	40068534	LOOPER ROCKER SHAFT				1
40	NS6660430SP	NUT 1/4-40				1
41	WP0700616SP	WASHER 7X11.6X0.6				1
42	40067196	LOOPER SHAFT COLLAR				1
43	SM8040642TP	SCREW		*		1
44	SM80404A2TP	SCREW M4 L=4		*		1
45	40068535	LOOPER ROCKER SHAFT CROSS HEAD				1

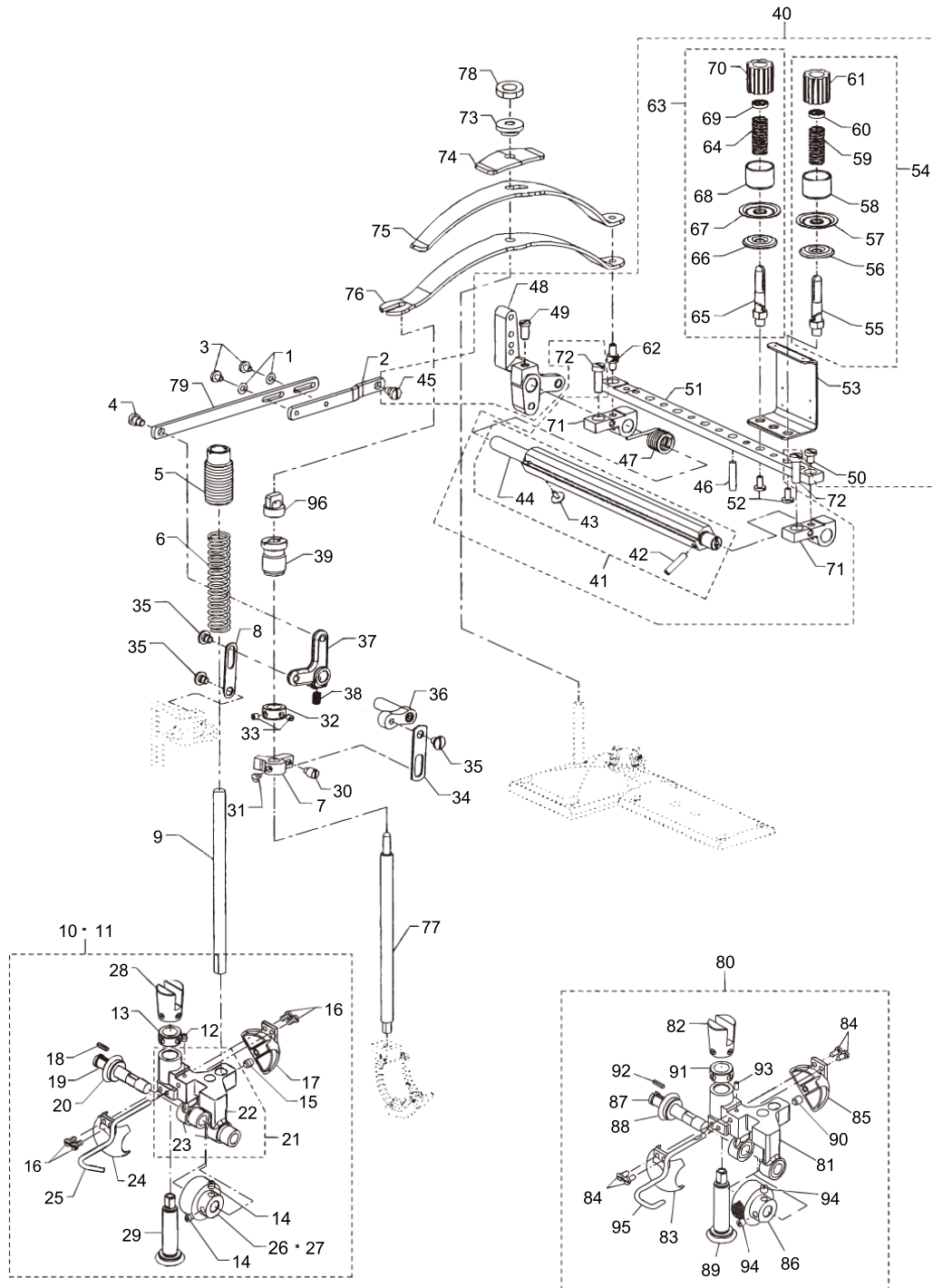
LOOPER DRIVING COMPONENTS (FOR MS-3580SF/1SN)



LOOPER DRIVING COMPONENTS (FOR MS-3580SF/1SN)

No.	Parts No.	Parts name	Remarks	Level	Cons	Qty
1	40068473	LOOPER HOLDER RIGHT				1
2	SS6090510TP	SCREW 9/64-40 L=5.0				1
3	40068817	SCREW			☆	1
4	40068471	LOOPER HOLDER MIDDLE				1
5	SS6090510TP	SCREW 9/64-40 L=5.0				1
6	40068817	SCREW			☆	1
7	40068472	LOOPER HOLDER LEFT				1
8	SS6090510TP	SCREW 9/64-40 L=5.0				1
9	40068817	SCREW			☆	1
10	40068298	LOOPER MIDDLE			☆	1
11	40068300	LOOPER RIGHT			☆	1
12	40068299	LOOPER LEFT			☆	1
13	40068543	LOOPER ROCKER SHAFT				1
14	NS6660430SP	NUT 1/4-40				1
15	40067200	FEED ROCKER DRIVING LINK SCREW				1
16	40076293	RUBBER RING				1
17	40068466	FEED ROCKER SHAFT				1
18	40067172	BUSHING				1
19	40068545	FEED ROCKER DRIVING LINK				1
20	40067155	LINK PIN				1
21	40068546	FEED DRIVE ASSEMBLY				1
22	40069886	SCREW				1
23	SS8110432SP	SCREW 11/64-40 L=4.1				1
24	40067184	NUT				1
25	40067161	BUSHING FOR FEED ROCKER SHAFT				1
26	40070073	SEALING SCREW				1
27	40067201	NUT				1
28	40067181	LOOPER DRIVE CONNECTING ROD ASM.				1
29	40068302	THRUST COLLAR				1
30	40076295	RUBBER RING				1
31	40067183	SHAFT BLANK				1
32	40067202	STUD FOR LOOPER SHAFT SLEEVE				1
33	SS8110710SP	SCREW 11/64-40 L=6.5				1
34	SM6041202TP	SCREW M4X0.7 L=12				1
35	40070093	SCREW				2
36	40069776	CONNECTING ROD BEARING ASM.				1
37	40069777	BEARING		*		2
38	40067203	CONNECTING ROD BEARING SHELL		*		1
39	SS1110840SP	SCREW 11/64-40 L=8				1
40	40068531	MAIN SHAFT WASHER				1
41	40068303	LOOPER SHAFT SLEEVE				1

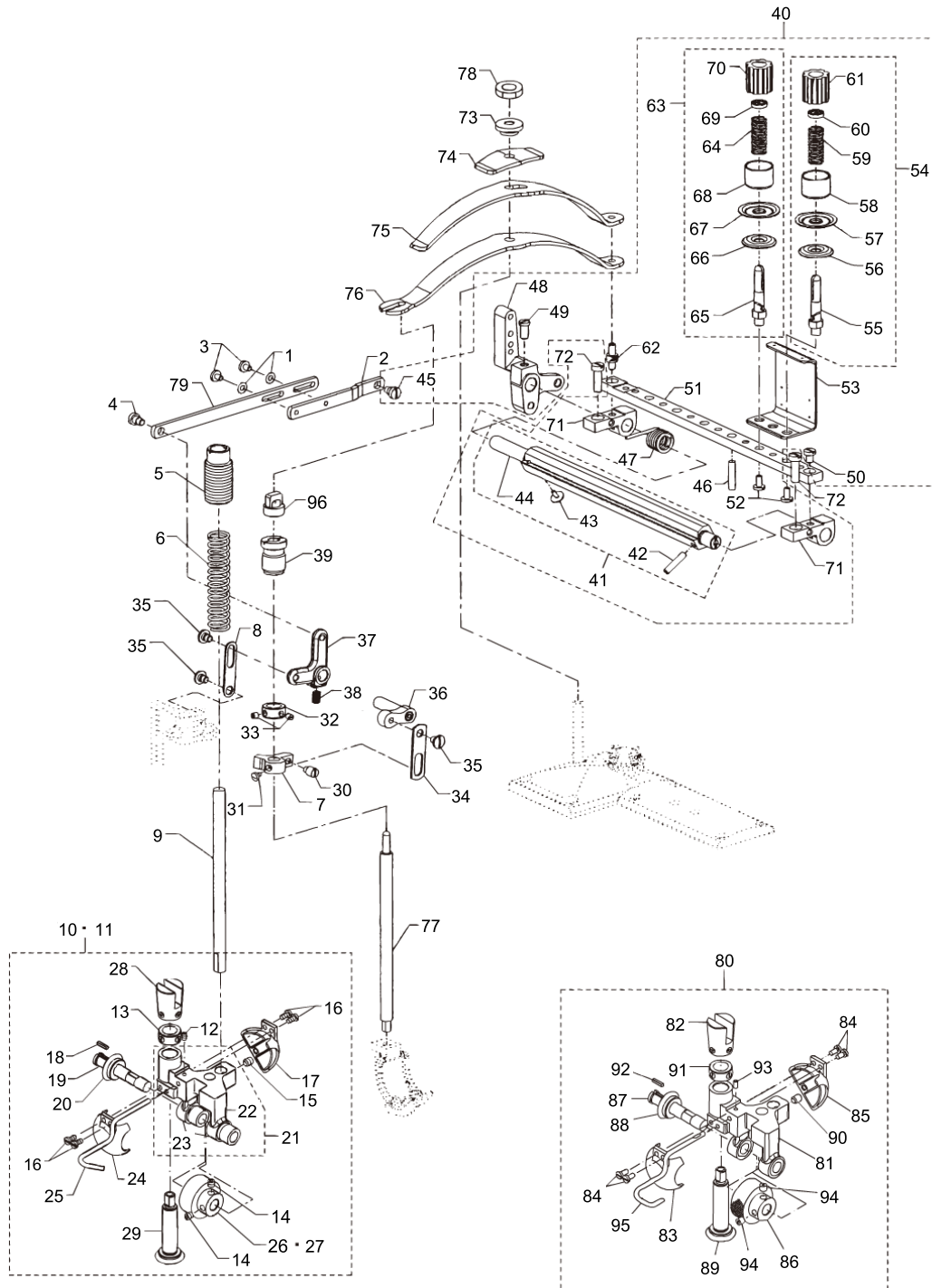
UPPER ROLLER FEED & THREAD TENSION COMPONENTS



UPPER ROLLER FEED & THREAD TENSION COMPONENTS

No.	Parts No.	Parts name	Remarks	Level	Cons	Qty
1	WP0380516SD	WASHER				2
2	40067207	LIFTER LEVER				1
3	SS4090715SP	SCREW 9/64-40 L=7				2
4	40070175	SCREW				1
5	40068554	PULLER BAR KNOB TOP				1
6	40068555	SPRING PULLER BAR				1
7	40068572	PRESSER BAR LIFTER AND GUIDE				1
8	40068556	LIFTER LEVER BELL CRANK LINK				1
9	40067089	PRESSER BAR				1
10	40067209	PULLER ASSEMBLY	FOR MS-3580 SΔ/ΔSN			1
11	40077683	PULLER ASSEMBLY	FOR MS-3580 SΔ/ΔRN			1
12	SM8030602TP	SCREW M3X0.5 L=6		*		1
13	40068558	DRIVE GEAR COLLAR ASM.		*		1
14	SS8110422TP	SCREW 11/64-40 L=4		*		2
15	SM8050612TP	SCREW M5X6		*		1
16	SM6030650TP	SCREW		*		4
17	40068559	GEAR GUARD REAR		*		1
18	40068560	STRAIGHT KEY		*		1
19	40068561	FEED ROLLER SHAFT		*		1
20	40068562	DRIVEN MITER GEAR		*		1
21	40084993	FEED ROLLER FRAME ASM.		*		1
22	40068564	FEED ROLLER FRAME		*		1
23	40068565	NEEDLE BEARING		*		2
24	40068566	GEAR COVER FRONT		*		1
25	40073864	FINGER GUARD		*		1
26	40068568	FEED ROLLER STEEL	FOR MS-3580 SΔ/ΔSN	*		1
27	40077682	FEED ROLLER STEEL (REVERSE TEETH)	FOR MS-3580 SΔ/ΔRN	*		1
28	40067213	FEED ROLLER LOWER CONNECTION		*		1
29	40068563	DRIVE MITER GEAR		*		1
30	40070177	SCREW				1
31	SS7110540SP	SCREW 11/64-40 L=5				1
32	40068573	COLLAR				1
33	SS6090620TP	SCREW				2
34	40067218	LIFTER LINK				1
35	40078418	SHOULDER SCREW				3
36	40068304	PRESSER BAR LIFTER LEVER				1
37	40068574	LIFTER LEVER LINK				1
38	SS8150822TP	SCREW 15/64-28 L=8				1
39	40067075	PRESSER BAR BUSHING				1
40	40069985	THREAD TENSION CONTROL UNIT				1
41	40068575	TENSION RELEASE SHAFT ASM.		*		1
42	PS0400202KP	SPRING PIN TYPE W 4X20		*		1
43	SM7030450SC	SCREW M3X0.5 L=4		*		1
44	40067221	TENSION RELEASE SHAFT BLK		*		1
45	40070175	SCREW		*		1
46	40067224	TENSION DISC RELEASE PIN		*		7
47	40067225	TENSION RELEASE SHAFT SPRING		*		1

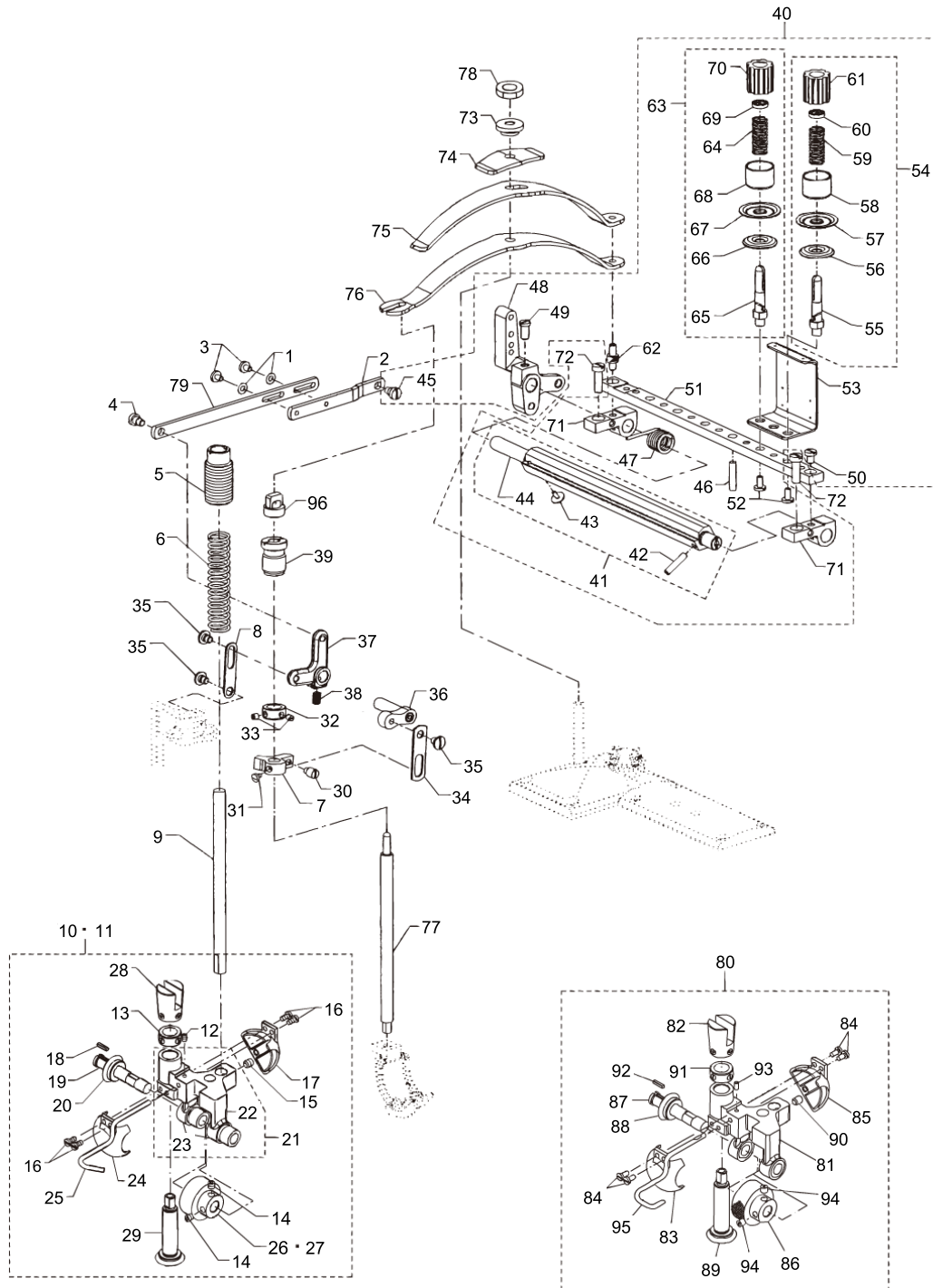
UPPER ROLLER FEED & THREAD TENSION COMPONENTS



UPPER ROLLER FEED & THREAD TENSION COMPONENTS

No.	Parts No.	Parts name	Remarks	Level	Cons	Qty
48	40068305	LIFTER LEVER		*		1
49	SS9151160CP	SCREW 15/64-28 L=10.5		*		1
50	SS6120940SP	SCREW 3/16-28 L=9		*		1
51	40067226	TENSION SUPPORT		*		1
52	SS6090630TP	SCREW 9/64-40 L=6		*		6
53	40068576	TENSION THREAD EYELET		*		3
54	40069840	LOOPER THREAD TENSION CONTROLL ASM.		*		3
55	40067227	TENSION POST		*		1
56	40068577	TENSION DISC SMALL		*		1
57	40068578	TENSION DISC LARGE		*		1
58	40067228	SHIELD TENSION SPRING		*		1
59	40067229	LOOPER THREAD TENSION SPRING FOR LOOPER		*		1
60	40068580	TENSION POST FERRULE		*		1
61	40067230	TENSION NUT		*		1
62	40067231	PRESSER SPRING REST		*		1
63	40069841	NEEDLE THREAD TENSION CONTROLLER ASM.		*		3
64	40068579	NEEDLE THREAD TENSION SPRING FOR NEEDLE		*		1
65	40067227	TENSION POST		*		1
66	40068577	TENSION DISC SMALL		*		1
67	40068578	TENSION DISC LARGE		*		1
68	40067228	SHIELD TENSION SPRING		*		1
69	40068580	TENSION POST FERRULE		*		1
70	40067230	TENSION NUT		*		1
71	40067223	TENSION PLATE BRACKET		*		2
72	SM6051202TP	SCREW M5X0.8 L=12				2
73	40067232	PRESSER REGULATING SCREW				1
74	40067233	PRESSER SPRING PLATE				1
75	40067234	PRESSER SPRING UPPER				1
76	40067235	PRESSER SPRING LOWER				1
77	40067217	PRESSER BAR				1
78	NM6060003SP	NUT M6 TYPE3				1
79	40070491	LIFTER LEVER LINK				1
80	40120356	PULLER ASSEMBLY	OPTIONAL PARTS			1
81	40084993	FEED ROLLER FRAME ASM		*		1
82	40067213	FEED ROLLER LOWER CONNECTION		*		1
83	40068566	GEAR GUARD FRONT		*		1
84	SM6030650TP	SCREW		*		4
85	40068559	GEAR GUARD REAR		*		1
86	40118632	ROLLER FOR THIN CLOTH		*		1
87	40068561	FEED ROLLER SHAFT		*		1
88	40068562	DRIVEN MITER GEAR		*		1
89	40068563	DRIVE MITER GEAR		*		1
90	SM8050612TP	SCREW M5X6		*		1
91	40068558	DRIVE GREAR COLLAR ASM		*		1
92	40068560	STRAIGHT KEY		*		1
93	SM8030602TP	SCREW M3X0.5 L=6		*		1
94	SS8110422TP	SCREW 11/64-40 L=4		*		2

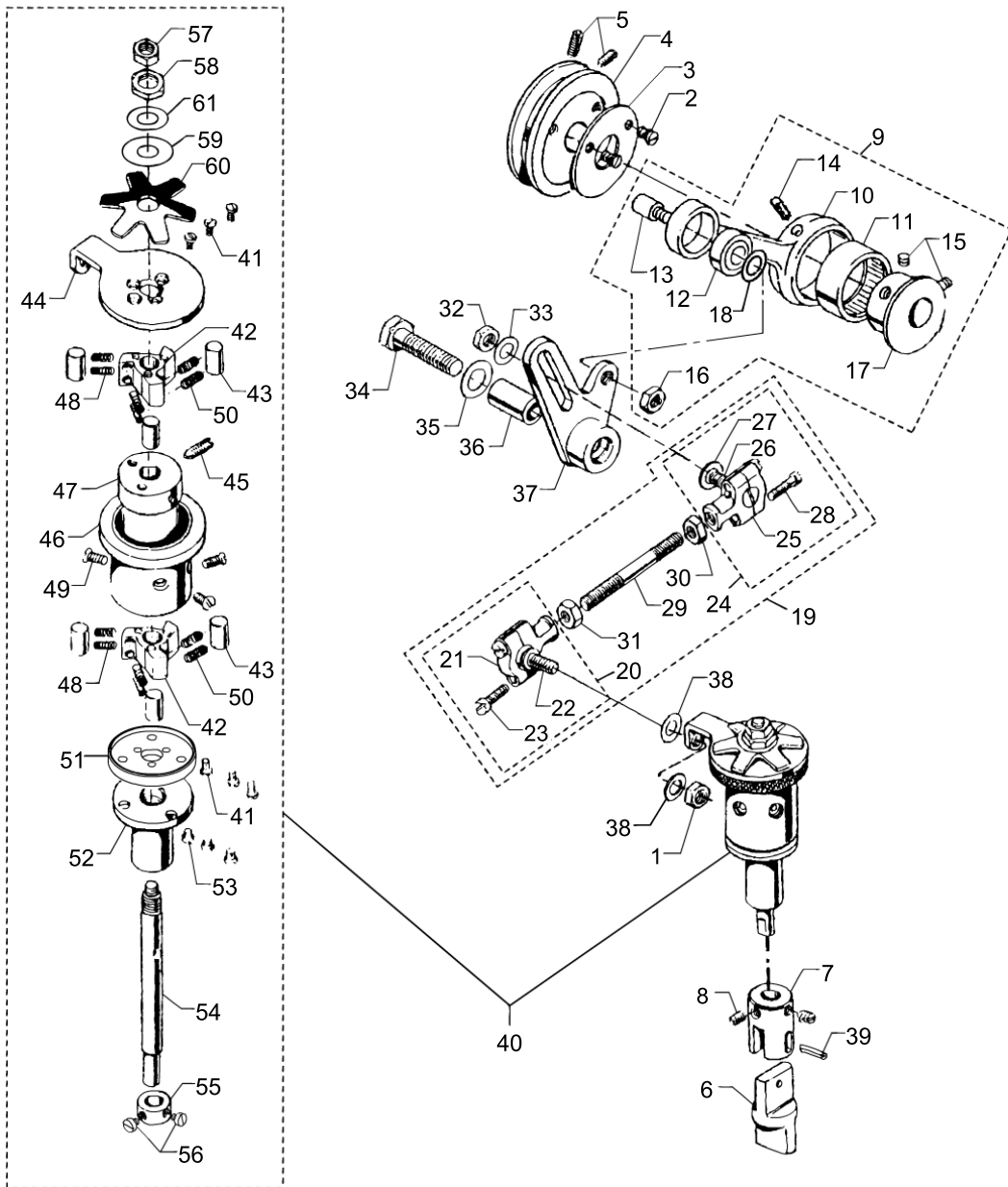
UPPER ROLLER FEED & THREAD TENSION COMPONENTS



UPPER ROLLER FEED & THREAD TENSION COMPONENTS

No.	Parts No.	Parts name	Remarks	Level	Cons	Qty
95	40073864	FINGER GUARD		*		1
96	40067220	PRESSER BAR KNOB				1

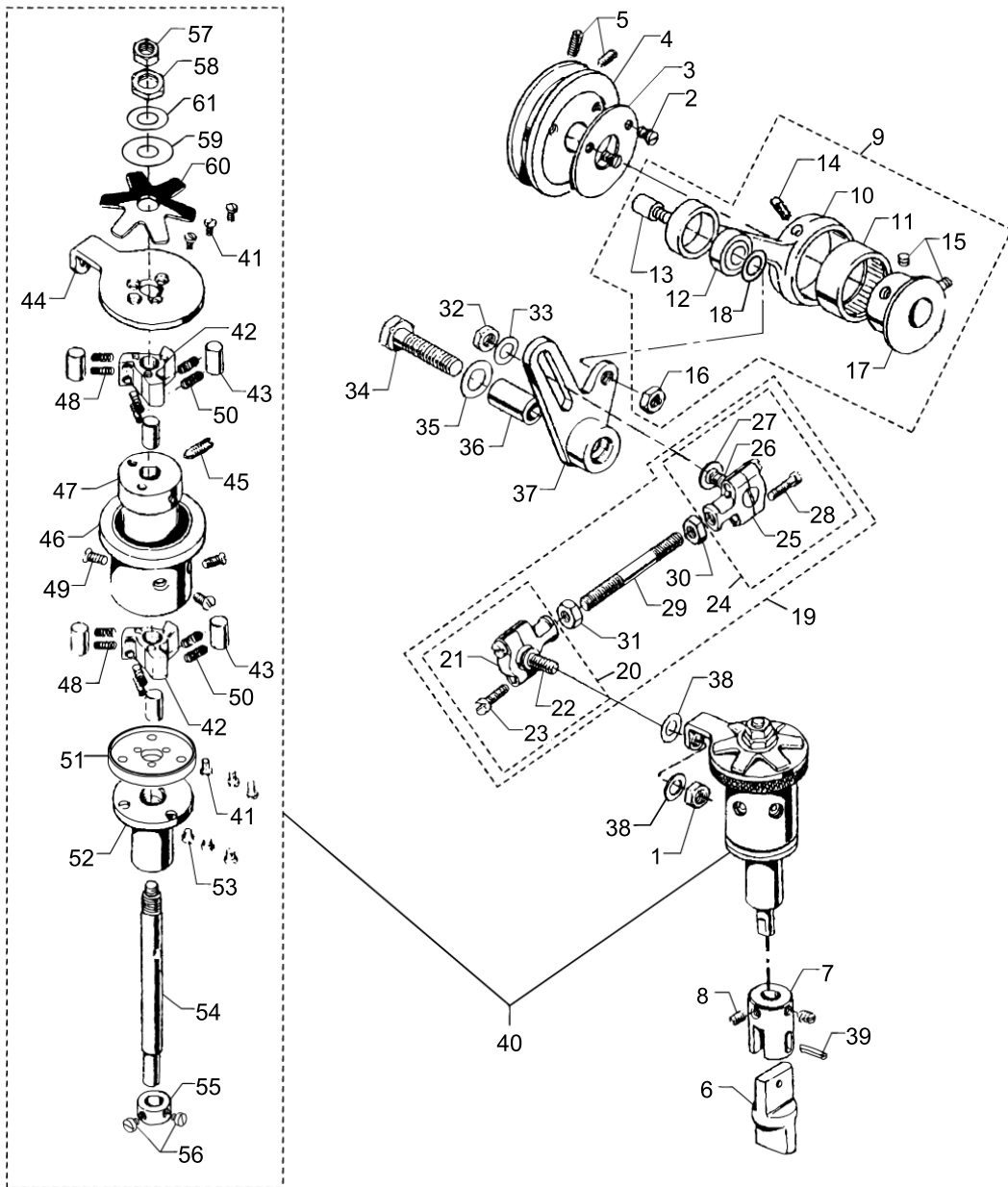
PULLEY, UPPER ROLLER FEED & DRIVING COMPONENTS



PULLEY, UPPER ROLLER FEED & DRIVING COMPONENTS

No.	Parts No.	Parts name	Remarks	Level	Cons	Qty
1	NS6150430SP	NUT 15/64-28				1
2	SS1090750SP	SCREW 9/64-40 L=7				3
3	40067242	WASHER				1
4	40067243	PULLEY				1
5	SS8150822TP	SCREW 15/64-28 L=8				2
6	40067284	FEED ROLLER DRIVE FLOATING CONNECTION				1
7	40067285	FEED ROLLER CONNECTION UPPER				1
8	SS8110422TP	SCREW 11/64-40 L=4				2
9	40068581	CONNECTING ROD AND CLUTCH DRIVING ECCENT				1
10	40068585	CONNECTING ROD		*		1
11	40068584	NEEDLE BEARING		*		1
12	40067241	BEARING		*		1
13	40068583	SHOULDER SCREW		*		1
14	40067240	OIL WICK		*		1
15	SM8050612TP	SCREW M5X6		*		2
16	NS6660430SP	NUT 1/4-40		*		1
17	40068582	ECCENTRIC		*		1
18	WP0651056SH	WASHER 6.5X11X1		*		1
19	40068828	CLUTCH CONNECTION LOT ASM.				1
20	40068594	ROLLER CLUTCH BALL JOINT ASSEMBLY LEFT		*		1
21	40068595	SHELL		*		1
22	40068596	BALL STUD		*		1
23	40069771	SCREW 9/64-40 L=12		*		2
24	40068592	BALL JOINT ASSEMBLY RIGHT		*		1
25	40068542	SHELL		*		1
26	40068593	LOOPER LEVER BAL STUD		*		1
27	40068591	WASHER		*		1
28	40069771	SCREW 9/64-40 L=12		*		2
29	40067245	ROLLER CLUTCH CONNECTING ROD		*		1
30	40069128	NUT M5X0.8 LEFT		*		1
31	NM6050001SP	NUT M5		*		1
32	NS6150430SP	NUT 15/64-28				1
33	WP0621026SP	WASHER 6.2X9.5X1				1
34	40069460	SCREW 5/16-24				1
35	WP0951016SP	WASHER 9.53X15X1				1
36	40067244	SEGMENT LEVER BUSHING				1
37	40068306	CLUTCH CONNECTION LOT LEVER				1
38	WP0621026SP	WASHER 6.2X9.5X1				2
39	PS0200182KP	SPRING PIN TYPE W 2X18				1
40	40067272	CONSTANT WEDGE ANGLE CLUTCH ASM.				1
41	SS6060510TP	SCREW 3/32-56 L=4.5		*		6
42	40068600	CLUTCH DISC		*		2
43	40067274	CLUTCH ROLLER		*		6
44	40067273	CLUTCH DRIVE LEVER		*		1
45	40068601	SPOT SCREW		*		1
46	40067276	CONSTANT WEDGE ANGLE CLUTCH BARREL ASM.		*		1
47	40068602	BARREL CORE		*		1

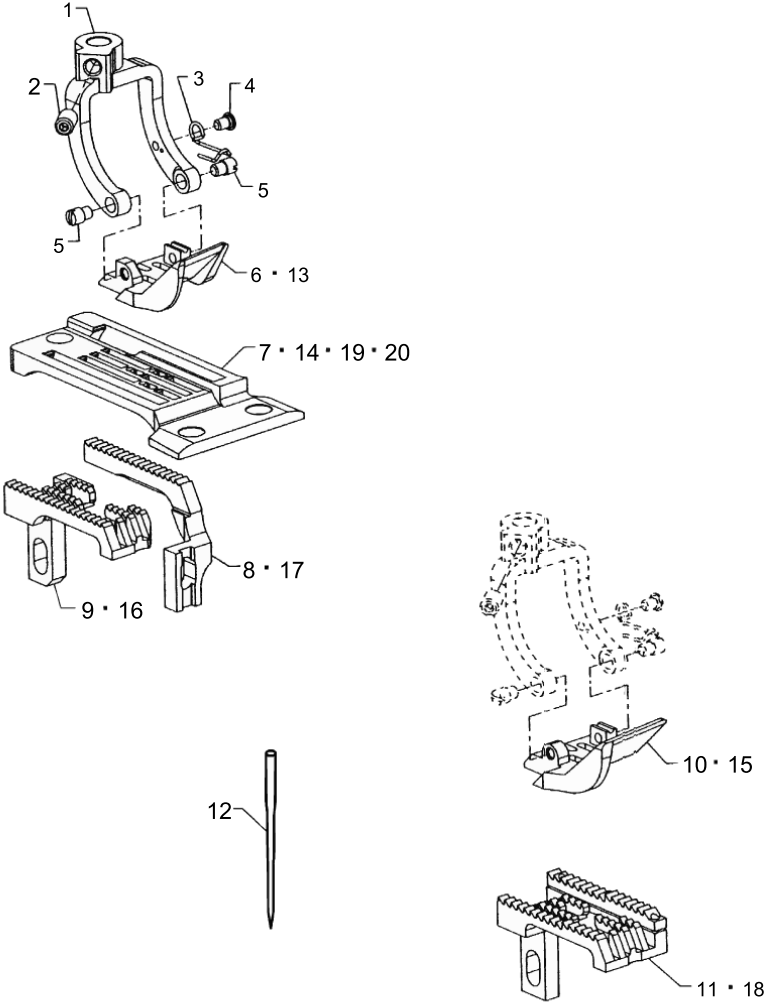
PULLEY, UPPER ROLLER FEED & DRIVING COMPONENTS



PULLEY, UPPER ROLLER FEED & DRIVING COMPONENTS

No.	Parts No.	Parts name	Remarks	Level	Cons	Qty
48	40068598	CLUTCH SPRING CAP		*		12
49	SS1090930SP	SCREW 9/64-40 L=8.6		*		3
50	40067275	CLUTCH ROLLER SPRING		*		12
51	40067281	LOCKING SPACER PLATE		*		1
52	40067282	LOWER BEARING		*		1
53	SS7090530SP	SCREW 9/64-40 L=4.5		*		3
54	40068603	FEED DRIVE SHAFT		*		1
55	40067283	FEED CUP SHAFT COLLAR		*		1
56	SS6090440SP	SCREW 9/64-40 L=4.0		*		2
57	NS6120630SP	NUT 3/16-28		*		1
58	NS6700320SP	NUT 5/16-24		*		1
59	40082015	WASHER		*		1
60	40068599	BRAKE SPRING		*		1
61	40081999	CLUTCH THRUST WASHER		*		1

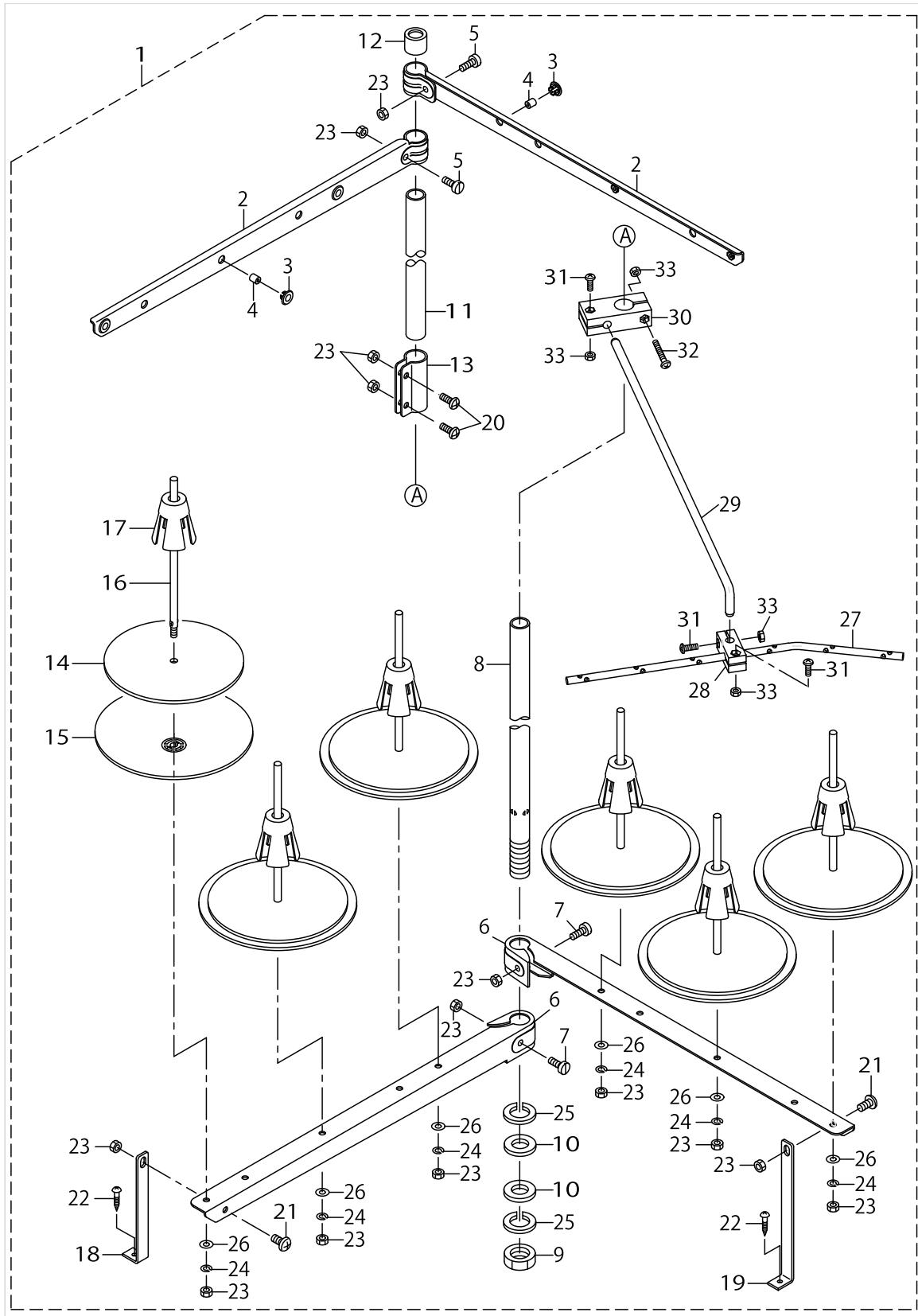
SEWING PARTS COMPONENTS



SEWING PARTS COMPONENTS

No.	Parts No.	Parts name	Remarks	Level	Cons	Qty
1	40067286	PRESSER FOOT FORK				1
2	SS8110422TP	SCREW 11/64-40 L=4			☆	1
3	40067287	SPRING			☆	1
4	40070194	SCREW				1
5	40070193	SCREW			☆	2
6	40067289	PRESSER FOOT 6.4MM GAUGE	FOR MS-3580 SF/1ΔN MS-3580			1
7	40067292	THROAT PLATE 6.4MM GAUGE	FOR MS-3580 SF/ΔΔN MS-3580			1
8	40067295	DIFFERENTIAL FEED DOG	FOR MS-3580 SΔ/1ΔN MS-3580		☆	1
9	40070054	FEED DOG	FOR MS-3580 SΔ/1ΔN MS-3580			1
10	40067297	PRESSER FOOT 6.4MM GAUGE	FOR MS-3580 SF/0ΔN MS-3580			1
11	40068612	FEED DOG FOR 6.4MM AND 7.2MM GAUGE STYLE	FOR MS-3580 SΔ/0ΔN MS-3580			1
12	MUY130B1400	NEEDLE UY130GS NM140			☆	3
13	40067290	PRESSER FOOT 7.2MM GAUGE	FOR MS-3580 SG/1ΔN MS-3580			1
14	40067293	THROAT PLATE 7.2MM GAUGE	FOR MS-3580 SG/ΔΔN MS-3580			1
15	40067298	PRESSER FOOT 7.2MM GAUGE	FOR MS-3580 SG/0ΔN MS-3580			1
16	40107500	MAIN FEED DOG	FOR MS-3580 SΔ/1ΔN OPTIONAL PARTS			1
17	40107501	DIFFIRENTIAL FEED DOG	FOR MS-3580 SΔ/1ΔN OPTIONAL PARTS			1
18	40107503	FEED DOG	FOR MS-3580 SΔ/0ΔN MS-3580 OPTIONAL PARTS			1
19	40107504	THROAT PLATE 6.4MM GAUGE	OPTIONAL PARTS			1
20	40107505	THROAT PLATE 7.2MM GAUGE	OPTIONAL PARTS			1

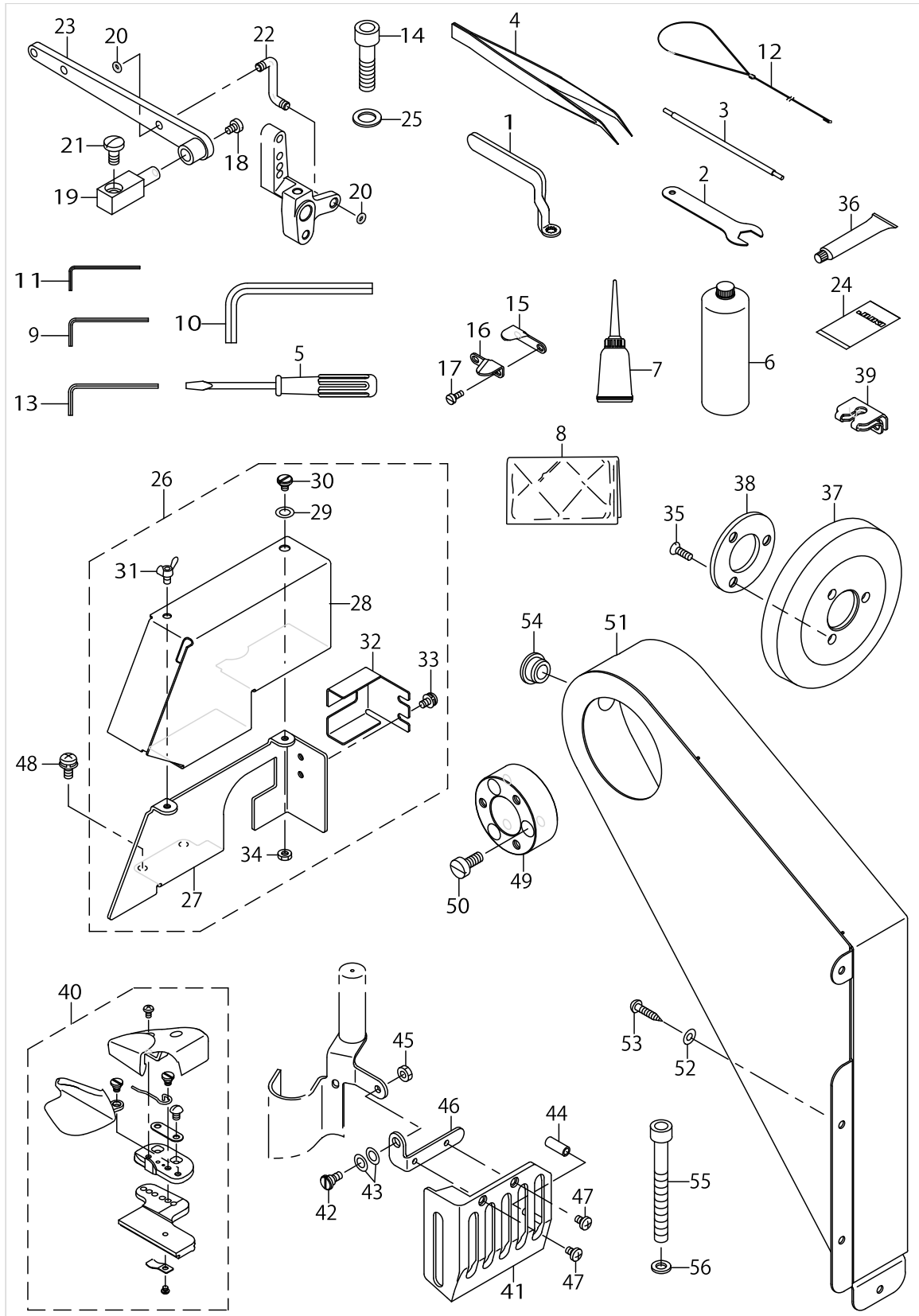
THREAD STAND COMPONENTS



THREAD STAND COMPONENTS

No.	Parts No.	Parts name	Remarks	Level	Cons	Qty
1	40106586	THREAD STAND PACKING				1
2	40106575	SPOOL REST LONG ARM UPPER		*		2
3	40085795	THREAD GUIDE BUSHING		*		6
4	40085794	THREAD GUIDE		*		6
5	40096327	SPOOL REST ARM UPPER SCREW		*		2
6	40106574	SPOOL REST LONG ARM LOWER		*		2
7	40096326	SPOOL REST ARM LOWER SCREW		*		2
8	40085784	SPOOL REST ROD LOWER		*		1
9	40096325	SPOOL REST ROD NUT		*		1
10	40085796	SPOOL REST ROD RUBBER CUSHION		*		2
11	40085785	SPOOL REST ROD UPPER		*		1
12	40085793	SPOOL REST ROD RUBBER CAP		*		1
13	40085792	SPOOL REST ROD JOINT		*		1
14	40085789	SPOOL REST CUSHION		*		6
15	40085788	SPOOL REST		*		6
16	40085790	SPOOL PIN		*		6
17	40085791	SPOOL RETAINER		*		6
18	40106577	SPOOL REST ARM LOWER A		*		1
19	40106578	SPOOL REST ARM LOWER B		*		1
20	SM4051405SE	SCREW M5 L=14		*		2
21	SM4051001SE	SCREW M5 L=10		*		2
22	SK3412001SE	WOOD SCREW D=4.1 L=20		*		2
23	NM6050001SE	NUT M5X0.8 TYPE1		*		14
24	WP0531001SC	WASHER M5		*		6
25	WP1612616SE	WASHER 16X30X2.6		*		2
26	WS0510002KN	SPRING WASHER M5		*		6
27	40106583	THREAD GUIDE 6		*		1
28	40106580	THREAD GUIDE UNDER BASE		*		1
29	40106576	THREAD GUIDE ARM		*		1
30	40106579	THREAD GUIDE ARM BASE		*		1
31	SM4041201SC	SCREW M4X0.7 L=12		*		3
32	SM4042501SC	SCREW M4X0.7 L=25		*		1
33	NM6040002SC	NUT M4X0.7 TYPE2		*		4

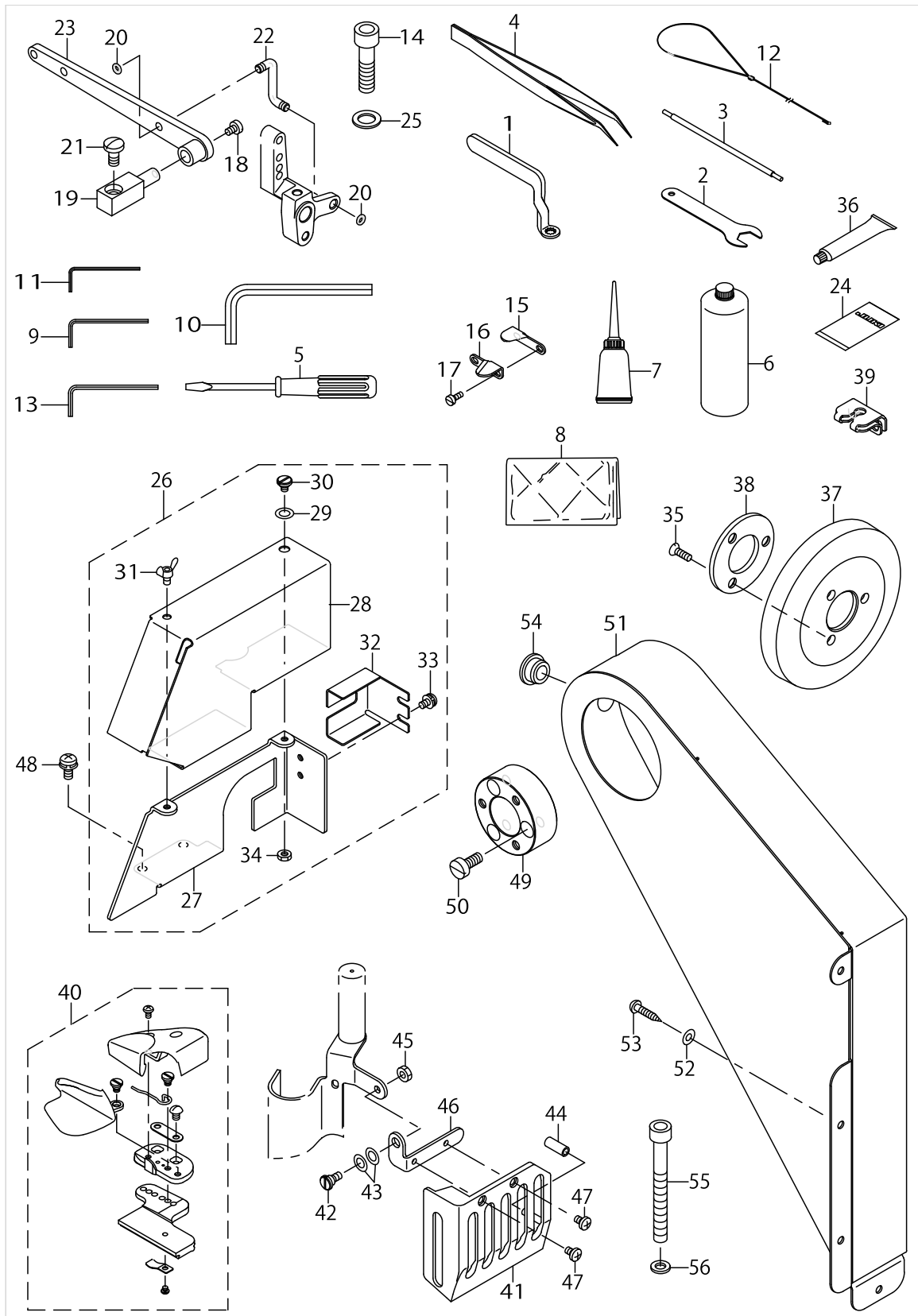
ACCESSORIES PARTS COMPONENTS



ACCESSORIES PARTS COMPONENTS

No.	Parts No.	Parts name	Remarks	Level	Cons	Qty
1	40068617	WRENCH FOR LOOPER AVOID				1
2	40067303	SPANNER FOR FEED BAR				1
3	40068618	NEEDLE HEAD TORQUE ROD				1
4	12288403	TWEEZERS				1
5	22933105	SCREW DRIVER MIDDLE				1
6	MML018900CA	JUKI MACHINE OIL 18				1
7	B91210120A0	OILER ASM.				1
8	40066644	HEAD_COVER				1
9	J106600000C	HEXAGONAL WRENCH KEY 2.5				1
10	G5407161000	HEXAGONAL ROD SPANNER				1
11	J106600000B	HEXAGONAL WRENCH KEY (2MM)				1
12	14058002	THREADER				1
13	J106600000D	HEXAGONAL WRENCH KEY				1
14	SM6103502TP	SCREW M10 L=35				2
15	40068380	CHAIN CUTTER BLADE LOWER				1
16	40068381	CHAIN CUTTER BLADE UPPER				1
17	SS6080810SP	SCREW 1/8-44 L= 8.0				2
18	SS6110630TP	SCREW 11/64-40 L=6				1
19	40067236	PRESSER FOOT LIFTER BEARING BRACKET				1
20	RO029180100	RUBBER RING				2
21	SS7151210SP	SCREW 15/64-28 L=12				1
22	40067238	LIFTER LEVER CONNECTING LINK				1
23	40067239	PRESSER FOOT CONNECTING LIFTER				1
24	MUY130B140T	NEEDLE UY130GS NM140-10				1
25	WP1051416SD	WASHER 10.5X17X1.4				2
26	40073359	ROLLER COVER ASM.				1
27	40072763	COVER A		*		1
28	40073358	COVER B		*		1
29	WZ0641510KP	WAVED WASHER 6.4X11X0.3		*		1
30	40081945	SHOULDER SCREW		*		1
31	16368508	WING BOLT		*		1
32	40073806	SAFETY COVER		*		1
33	SL4040891SC	SCREW M4 L=8		*		2
34	NM6040003SC	NUT M4		*		1
35	SS1151310TP	SCREW				3
36	40013640	JUKI_GREASE_B_TUBE				1
37	40068588	HANDWHEEL				1
38	40068589	CLAMP PLATE				1
39	40075567	CHAIN CUTTER COVER				1
40	40066942	FOLDER ASSEMBLY 3.2MM				1
41	40067087	SEWING GUARD				1
42	SD0640326TP	HINGE SCREW				1
43	WZ0641510KP	WAVED WASHER 6.4X11X0.3				2
44	BT0600400EC	TUBE HOSE BLUE				0.015
45	NS6110350SP	NUT 11/64-40				1
46	40081665	SEWING GUARD				1
47	SS7090611SL	SCREW 9/64-40 L=6.1				2

ACCESSORIES PARTS COMPONENTS



ACCESSORIES PARTS COMPONENTS

No.	Parts No.	Parts name	Remarks	Level	Cons	Qty
48	SL4051291SC	SCREW M5X0.8 L=12				2
49	40083674	BELT COVER SPACER				1
50	SS6151440SP	SCREW 15/64-28 L=14				3
51	40083683	BELT COVER				1
52	WP0450826SC	WASHER 4.5X10X0.8				4
53	SK3412001SE	WOOD SCREW D=4.1 L=20				4
54	TA1470704R0	RUBBER PLUG				1
55	SM6087002TN	SCREW M8 L=70				4
56	WP0841600SC	WASHER				4

LIST FOR INFORMATION OF CHANGE

As to the place changed, refer to the corresponding Rev.No.
 When previous parts(Obsoleted part)and new parts(Added parts)are
 not interchangeable with each other:
 In this case, even obsoleted parts(D.)can be ordered with the
 obsoleted part number, so select the parts with changed dates and
 place your orders.

変更箇所は、該当Rev.No.版をご参照ください。
 部品の互換性がない変更の場合は、削除された品番でも、ご注文できます。

40070364
 No.1506-06 Rev.No.

*A:Added parts追加部品/D:Obsoleted parts削除部品/E:Erratum訂正

* Rev. No.	Page 頁	Ref. No.	Parts No. 品番	* Rev. No.	Page 頁	Ref. No.	Parts No. 品番	
D	05	2	28				TA-1250406-R0	
D	05	2	46				400-68369	
				A	06	2	52	WP-0480856-SP
D	05	4	31				WP-0430801-UZ	
D	05	6	24	A	06	6	24	400-74648
D	05	6	61				400-67011	
D	05	10	12	A	06	10	12	400-67108
D	05	12	3	A	06	12	3	SS-1090920-SP
D	05	12	27	A	06	12	27	SS-6080810-SP
D	05	16	32	A	06	16	32	400-68302
D	05	16	33	A	06	16	33	SM-6041202-TP
D	05	18	2	A	06	18	2	400-75055
D	05	18	5	A	06	18	5	SS-6090510-TP
D	05	18	8	A	06	18	8	400-75055
D	05	20	33	A	06	20	33	SS-6090610-SP
				A	06	20	40	400-69985
				A	06	20	45	400-70175
				A	06	20	80	401-20356
D	05	22	41	A	06	22	41	SS-7060510-SP
				A	06	24	16	401-07500
				A	06	24	17	401-07501
				A	06	24	18	401-07503
				A	06	24	19	401-07504
				A	06	24	20	401-07505
D	05	26	1	A	06	26	1	131-68653
								401-06586

HOW TO MAKE USE OF THIS PARTS LIST

1.Explanation of codes

1)"*"mark.....means this part is changed from the previous parts book.

As to the details of the change, refer to the "List for information of change".

2)"#01".....refer to "Note" explanation at bottom of page.

2.Codes on the "Qty" column

• Each numeral indicates the number of parts required.

• "0.1" and "2.5" indicate the length (in meters) of the respective parts.

3.Parentheses mean that the corresponding part is a subpart that constructs an assembly part.

4.Dotted lines on the Figures indicate assembly parts.

1."注記"欄の記号説明

1) "*"印.....前回のパーツブックに比較して今回変更された部品を意味します。

変更内容は、"変更情報リスト"を参照してください。

2) "#01".....ページ下の"注記"の説明を参照してください。

2.数量欄の数字は、個数を表し、0.1、2.5等の数値は、長さ（単位メートル）を表します。

3.数量欄の（ ）は、組部品を構成している子部品であることを意味します。

4.イラストページの-----枠は、組構成であることを意味します。

NUMERICAL INDEX OF PARTS

PART NO	PAGE	REF NO.	PART NO	PAGE	REF NO.	PART NO	PAGE	REF NO.
10129104	12	27	40066911	6	2	40067082	12	23
11856101	22	13	40066912	6	3	40067087	44	41
12288403	44	4	40066912	8	43	40067089	30	9
13170105	2	24	40066913	6	4	40067090	12	32
13170105	6	35	40066914	6	14	40067091	12	24
13171004	2	23	40066915	6	15	40067092	12	41
13171004	6	36	40066916	6	16	40067093	12	42
14058002	44	12	40066917	6	20	40067094	12	45
16368508	44	31	40066917	8	11	40067100	16	3
22924708	2	5	40066918	6	21	40067101	16	4
22933105	44	5	40066918	10	54	40067102	16	6
40009014	2	10	40066919	6	22	40067109	16	10
40009520	4	66	40066919	8	12	40067118	16	14
40013640	44	36	40066920	6	6	40067119	16	32
40066644	44	8	40066920	8	15	40067120	16	33
40066849	2	2	40066923	6	7	40067121	16	15
40066851	2	6	40066924	6	27	40067124	16	19
40066854	2	7	40066925	6	28	40067125	16	34
40066855	2	8	40066927	6	32	40067132	16	39
40066857	2	12	40066928	6	33	40067133	16	40
40066864	2	16	40066928	8	22	40067134	20	2
40066865	2	20	40066929	6	34	40067137	20	11
40066866	2	21	40066929	8	21	40067138	20	12
40066875	2	33	40066942	44	40	40067139	20	14
40066876	2	37	40066969	6	44	40067140	20	15
40066878	2	39	40066969	8	39	40067141	20	16
40066880	2	41	40066975	6	47	40067142	20	20
40066881	2	42	40066996	10	62	40067144	20	23
40066882	2	44	40066998	8	2	40067145	20	24
40066884	4	51	40067001	8	6	40067147	20	31
40066890	4	85	40067003	8	13	40067148	20	33
40066891	4	55	40067008	8	25	40067149	22	16
40066892	4	56	40067009	8	26	40067154	20	46
40066893	4	57	40067013	6	29	40067155	22	22
40066894	4	58	40067013	8	36	40067155	28	20
40066895	4	59	40067014	8	37	40067156	22	12
40066896	4	60	40067050	8	42	40067161	22	27
40066898	4	62	40067051	10	48	40067161	28	25
40066899	4	63	40067054	10	58	40067166	22	30
40066902	4	67	40067055	8	44	40067167	22	31
40066903	4	68	40067059	10	60	40067168	22	36
40066905	4	76	40067073	12	3	40067169	22	38
40066906	4	78	40067074	12	4	40067172	24	48
40066909	6	1	40067075	30	39	40067172	28	18
40066909	8	40	40067078	12	8	40067173	24	49

NUMERICAL INDEX OF PARTS

PART NO	PAGE	REF NO.	PART NO	PAGE	REF NO.	PART NO	PAGE	REF NO.
40067174	22	2	40067249	4	72	40068376	4	71
40067176	26	13	40067272	36	40	40068377	16	43
40067179	26	16	40067273	36	44	40068378	4	84
40067180	26	21	40067274	36	43	40068380	44	15
40067181	26	24	40067275	38	50	40068381	44	16
40067181	28	28	40067276	36	46	40068382	6	11
40067183	26	22	40067281	38	51	40068383	6	19
40067183	28	31	40067282	38	52	40068384	6	26
40067184	26	19	40067283	38	55	40068384	8	14
40067184	28	24	40067284	36	6	40068386	6	37
40067196	26	42	40067285	36	7	40068389	10	63
40067200	28	15	40067286	40	1	40068391	8	18
40067201	28	27	40067287	40	3	40068392	8	27
40067202	28	32	40067289	40	6	40068395	10	55
40067203	28	38	40067290	40	13	40068397	12	14
40067207	30	2	40067292	40	7	40068398	12	16
40067209	30	10	40067293	40	14	40068399	12	20
40067213	30	82	40067295	40	8	40068401	12	31
40067213	32	82	40067297	40	10	40068402	12	34
40067217	32	77	40067298	40	15	40068403	12	36
40067218	30	34	40067303	44	2	40068405	12	40
40067220	34	96	40068293	12	12	40068409	12	30
40067221	30	44	40068294	12	9	40068410	16	1
40067223	32	71	40068295	16	31	40068413	16	5
40067224	30	46	40068296	20	7	40068419	16	8
40067225	30	47	40068296	22	4	40068420	16	9
40067226	32	51	40068297	22	47	40068421	16	18
40067227	32	65	40068298	26	10	40068422	16	21
40067228	32	68	40068298	28	10	40068423	16	26
40067229	32	59	40068299	26	11	40068424	16	24
40067230	32	70	40068299	28	12	40068425	16	27
40067231	32	62	40068300	26	12	40068426	16	11
40067232	32	73	40068300	28	11	40068427	18	49
40067233	32	74	40068302	28	29	40068429	16	46
40067234	32	75	40068303	28	41	40068430	20	5
40067235	32	76	40068304	30	36	40068430	22	6
40067236	44	19	40068305	32	48	40068431	20	10
40067238	44	22	40068306	36	37	40068432	20	13
40067239	44	23	40068311	16	42	40068433	20	19
40067240	36	14	40068312	16	36	40068434	20	22
40067241	36	12	40068335	2	11	40068435	20	25
40067242	36	3	40068341	2	17	40068436	20	34
40067243	36	4	40068345	2	22	40068438	20	39
40067244	36	36	40068368	2	43	40068439	20	40
40067245	36	29	40068371	4	48	40068441	20	42

NUMERICAL INDEX OF PARTS

PART NO	PAGE	REF NO.	PART NO	PAGE	REF NO.	PART NO	PAGE	REF NO.
40068444	20	37	40068559	32	85	40068618	44	3
40068448	8	46	40068560	30	92	40068645	4	49
40068449	20	45	40068560	32	92	40068656	12	44
40068451	22	10	40068561	30	87	40068663	22	46
40068452	22	14	40068561	32	87	40068664	22	45
40068455	22	20	40068562	30	88	40068794	20	8
40068456	22	18	40068562	32	88	40068794	22	5
40068461	22	17	40068563	30	89	40068816	26	23
40068463	22	29	40068563	32	89	40068817	26	9
40068465	22	33	40068564	30	22	40068817	28	9
40068466	22	34	40068565	30	23	40068828	36	19
40068466	28	17	40068566	30	83	40068921	16	29
40068467	22	39	40068566	32	83	40069015	22	40
40068468	22	41	40068568	30	26	40069085	22	25
40068469	22	44	40068572	30	7	40069128	26	28
40068470	22	24	40068573	30	32	40069128	36	30
40068471	26	1	40068574	30	37	40069155	20	26
40068471	28	4	40068575	30	41	40069453	20	30
40068472	26	4	40068576	32	53	40069460	36	34
40068472	28	7	40068577	32	66	40069753	20	18
40068473	26	7	40068578	32	67	40069768	12	37
40068473	28	1	40068579	32	64	40069771	20	43
40068474	26	14	40068580	32	69	40069771	36	28
40068522	26	18	40068581	36	9	40069776	28	36
40068525	26	20	40068582	36	17	40069777	28	37
40068531	26	34	40068583	36	13	40069800	12	46
40068531	28	40	40068584	36	11	40069840	32	54
40068532	26	36	40068585	36	10	40069841	32	63
40068534	26	39	40068588	44	37	40069882	10	56
40068535	26	45	40068589	44	38	40069883	6	17
40068536	26	25	40068591	36	27	40069883	8	5
40068537	26	26	40068592	36	24	40069884	6	10
40068538	26	29	40068593	36	26	40069884	8	1
40068539	26	27	40068594	36	20	40069886	20	36
40068540	26	30	40068595	36	21	40069886	28	22
40068542	36	25	40068596	36	22	40069918	20	44
40068543	28	13	40068598	38	48	40069918	22	19
40068545	28	19	40068599	38	60	40069919	8	7
40068546	28	21	40068600	36	42	40069920	8	3
40068554	30	5	40068601	16	22	40069921	8	9
40068555	30	6	40068601	36	45	40069957	4	70
40068556	30	8	40068602	36	47	40069985	30	40
40068558	30	91	40068603	38	54	40069993	6	8
40068558	32	91	40068612	40	11	40069994	8	45
40068559	30	85	40068617	44	1	40070015	4	50

NUMERICAL INDEX OF PARTS

PART NO	PAGE	REF NO.	PART NO	PAGE	REF NO.	PART NO	PAGE	REF NO.
40070054	40	9	40076293	28	16	40106577	42	18
40070062	2	32	40076295	22	8	40106578	42	19
40070071	6	42	40076295	28	30	40106579	42	30
40070071	10	51	40077682	30	27	40106580	42	28
40070073	22	26	40077683	30	11	40106583	42	27
40070073	28	26	40078404	12	18	40106586	42	1
40070075	4	53	40078404	18	57	40107500	40	16
40070093	28	35	40078418	30	35	40107501	40	17
40070102	2	3	40081665	44	46	40107503	40	18
40070141	12	21	40081693	16	35	40107504	40	19
40070157	4	64	40081945	44	30	40107505	40	20
40070158	12	1	40081999	38	61	40112855	2	45
40070175	30	45	40082003	10	52	40112856	4	61
40070177	30	30	40082006	6	46	40112857	6	43
40070191	22	37	40082015	38	59	40112857	8	38
40070192	22	32	40082705	12	5	40112858	16	17
40070193	40	5	40082711	12	2	40118632	32	86
40070194	40	4	40082712	12	6	40120356	32	80
40070319	6	13	40082824	18	59	B1132521000	12	26
40070346	8	19	40082833	18	60	B144418000B	2	38
40070350	6	38	40082960	12	43	B3538112000	18	51
40070353	16	23	40083065	4	75	B91210120A0	44	7
40070491	32	79	40083674	46	49	BT0500300EA	18	58
40072348	2	13	40083683	46	51	BT0600400EC	44	44
40072351	18	50	40084993	30	81	CM300200001	4	81
40072763	44	27	40084993	32	81	CM301200001	4	73
40073130	4	86	40085784	42	8	CM500300001	4	82
40073358	44	28	40085785	42	11	CM600100101	2	29
40073359	44	26	40085788	42	15	CQ200000000	4	54
40073806	44	32	40085789	42	14	CQ200000000	6	41
40073864	30	95	40085790	42	16	CQ200000000	16	16
40073864	34	95	40085791	42	17	CQ200000000	20	47
40074648	8	24	40085792	42	13	CQ200000000	24	50
40074649	8	28	40085793	42	12	CQ303000000	2	26
40074653	8	29	40085794	42	4	CQ303000000	16	41
40074654	8	30	40085795	42	3	EA9500B0000	16	30
40074655	8	31	40085796	42	10	G5407161000	44	10
40074663	26	32	40096325	42	9	J106600000B	44	11
40075055	26	8	40096326	42	7	J106600000C	44	9
40075304	18	53	40096327	42	5	J106600000D	44	13
40075305	18	54	40098071	16	12	MML018900CA	44	6
40075306	18	55	40102214	20	27	MUY130B1400	40	12
40075307	18	56	40106574	42	6	MUY130B140T	44	24
40075567	44	39	40106575	42	2	NM6040002SC	42	33
40076293	22	35	40106576	42	29	NM6040003SC	44	34

NUMERICAL INDEX OF PARTS

PART NO	PAGE	REF NO.	PART NO	PAGE	REF NO.	PART NO	PAGE	REF NO.
NM6050001SE	42	23	SM6030850TP	18	48	SS6060510TP	36	41
NM6050001SP	20	41	SM6041202TP	28	34	SS6080410SP	12	33
NM6050001SP	22	21	SM6050660TP	2	25	SS6080720SP	16	47
NM6050001SP	26	31	SM6050660TP	18	61	SS6080810SP	22	15
NM6050001SP	36	31	SM6050800SP	2	18	SS6080810SP	44	17
NM6060003SP	32	78	SM6051202TP	26	33	SS6090420SP	2	34
NS6090310SP	2	89	SM6051202TP	32	72	SS6090440SP	6	40
NS6090310SP	4	89	SM6062002TP	12	11	SS6090440SP	8	20
NS6110310SP	12	19	SM6063002TP	2	27	SS6090440SP	12	35
NS6110350SP	2	35	SM6087002TN	46	55	SS6090440SP	38	56
NS6110350SP	44	45	SM6103502TP	44	14	SS6090510TP	16	45
NS6120630SP	38	57	SM7030450SC	30	43	SS6090510TP	28	8
NS6150350SP	12	7	SM8030602TP	30	93	SS6090610SP	12	28
NS6150430SP	36	32	SM8030602TP	32	93	SS6090620TP	30	33
NS6660430SP	20	32	SM80404A2TP	22	9	SS6090630TP	16	7
NS6660430SP	26	40	SM80404A2TP	26	44	SS6090630TP	32	52
NS6660430SP	28	14	SM8040642TP	26	43	SS6090670TP	6	5
NS6660430SP	36	16	SM8050612TP	30	90	SS6110610TP	4	80
NS6700320SP	38	58	SM8050612TP	32	90	SS6110610TP	20	4
PS0200182KP	36	39	SM8050612TP	36	15	SS6110630TP	44	18
PS0400202KP	30	42	SM8050812TP	16	28	SS6110650TP	16	37
RO029180100	44	20	SM8061010TP	20	9	SS6110710TP	22	11
RO061180100	8	32	SS1090520TP	4	65	SS6111010TP	2	31
RO061180100	22	23	SS1090750SP	36	2	SS6111010TP	22	7
RO061180100	26	37	SS1090930SP	12	38	SS6111620SP	20	1
RO098190100	8	47	SS1090930SP	38	49	SS6120940SP	32	50
RO148240200	2	14	SS1110840SP	26	35	SS6121010SP	12	13
SB120002200	2	47	SS1110840SP	28	39	SS6151440SP	46	50
SD0380551SL	12	25	SS1151310TP	44	35	SS7090510SP	10	49
SD0640326TP	44	42	SS2080810SP	6	25	SS7090520TP	10	57
SK3412001SE	42	22	SS2090710TP	20	3	SS7090530SP	38	53
SK3412001SE	46	53	SS2090810SP	10	61	SS7090611SL	44	47
SL4040881SC	18	52	SS4060310SP	6	12	SS7090710SP	2	30
SL4040891SC	44	33	SS4080515SP	2	19	SS7090710SP	6	45
SL4051291SC	46	48	SS4080515SP	22	28	SS7090710SP	10	50
SM1040950TP	8	33	SS4080620TP	6	24	SS7090850SP	4	87
SM4040855SP	16	13	SS4080620TP	8	16	SS7091110TP	12	29
SM4041201SC	42	31	SS4080620TP	12	39	SS7110540SP	30	31
SM4041255SP	2	15	SS4080620TP	16	38	SS7110840SP	4	77
SM4042501SC	42	32	SS4090715SP	30	3	SS7111110TP	20	29
SM4051001SE	42	21	SS4091015SP	12	17	SS7111120TP	16	44
SM4051405SE	42	20	SS4111015SP	4	83	SS7111410TP	8	59
SM5030655SP	2	9	SS4111215SP	2	1	SS7111410TP	10	59
SM6030650TP	30	84	SS5090610SP	6	30	SS7121410TP	2	36
SM6030650TP	32	84	SS5090610SP	8	35	SS7121410TP	12	15

NUMERICAL INDEX OF PARTS

PART NO	PAGE	REF NO.
SS7151210SP	44	21
SS8080310TP	20	28
SS8110410TP	16	20
SS8110422TP	30	94
SS8110422TP	32	94
SS8110422TP	36	8
SS8110422TP	40	2
SS8110432SP	20	35
SS8110432SP	28	23
SS8110520TP	6	9
SS8110520TP	12	10
SS8110710SP	6	31
SS8110710SP	8	53
SS8110710SP	10	53
SS8110710SP	28	33
SS8150822TP	30	38
SS8150822TP	36	5
SS8660612TP	2	46
SS9151160CP	32	49
TA1470704R0	46	54
TA2050406R0	6	39
WP0330500MB	8	8
WP0370316SD	4	88
WP0380516SD	30	1
WP0450801SP	4	79
WP0450826SC	46	52
WP0480856SP	4	52
WP0531001SC	42	24
WP0621026SP	36	38
WP0651056SD	2	28
WP0651056SD	14	48
WP0651056SH	36	18
WP0700616SP	26	41
WP0740516SP	12	47
WP0841600SC	46	56
WP0951016SP	8	34
WP0951016SP	36	35
WP1051416SD	44	25
WP1612616SE	42	25
WS0310002UZ	6	18
WS0310002UZ	8	4
WS0510002KN	42	26
WZ0641510KP	44	43