

MODEL : DDL-9000A/PBN

List No : 1498-01

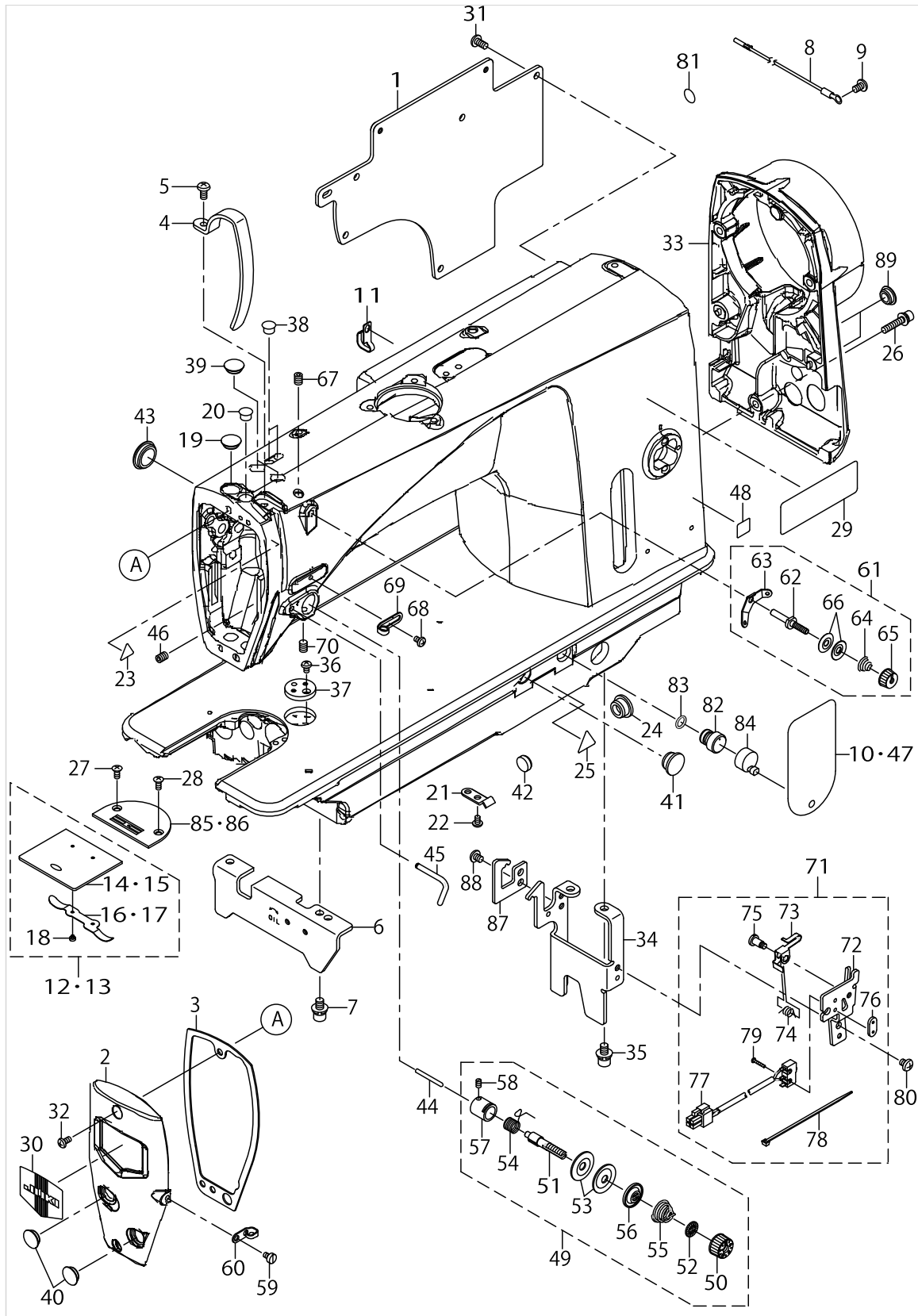
PARTS LIST

Published:09/10/2017

CONTENTS

MACHINE FRAME & MISCELLANEOUS COVER COMPONENTS	1
BOBBIN WINDER COMPONENTS.....	5
MAIN SHAFT & NEEDLE BAR COMPONENTS.....	7
HAND LIFTER & TENSION RELEASE COMPONENTS.....	11
FEED ADJUST MECHANISM COMPONENTS	15
HORIZONTAL FEED, VERTICAL FEED & HOOK DRIVING SHAFT COMPONENTS.....	19
THREAD TRIMMER COMPONENTS (1).....	23
THREAD TRIMMER COMPONENTS (2).....	27
OIL LUBRICATION COMPONENTS	29
AUTOMATIC REVERSE FEED COMPONENTS.....	31
CONDENSE COMPONENTS.....	33
WIPER COMPONENTS.....	35
THREAD HOLDER & AIR COMPONENTS	37
THREAD HAUL COMPONENTS.....	39
THREAD STAND COMPONENTS.....	41
UNDER COVER COMPONENTS.....	43
ACCESSORIE PART COMPONENTS	45
TABLE & STAND COMPONENTS.....	47
AUTOMATIC HAND LIFTER COMPONENTS.....	49
LIST FOR INFORMATION OF CHANGE.....	51
HOW TO MAKE USE OF THIS PARTS LIST	52

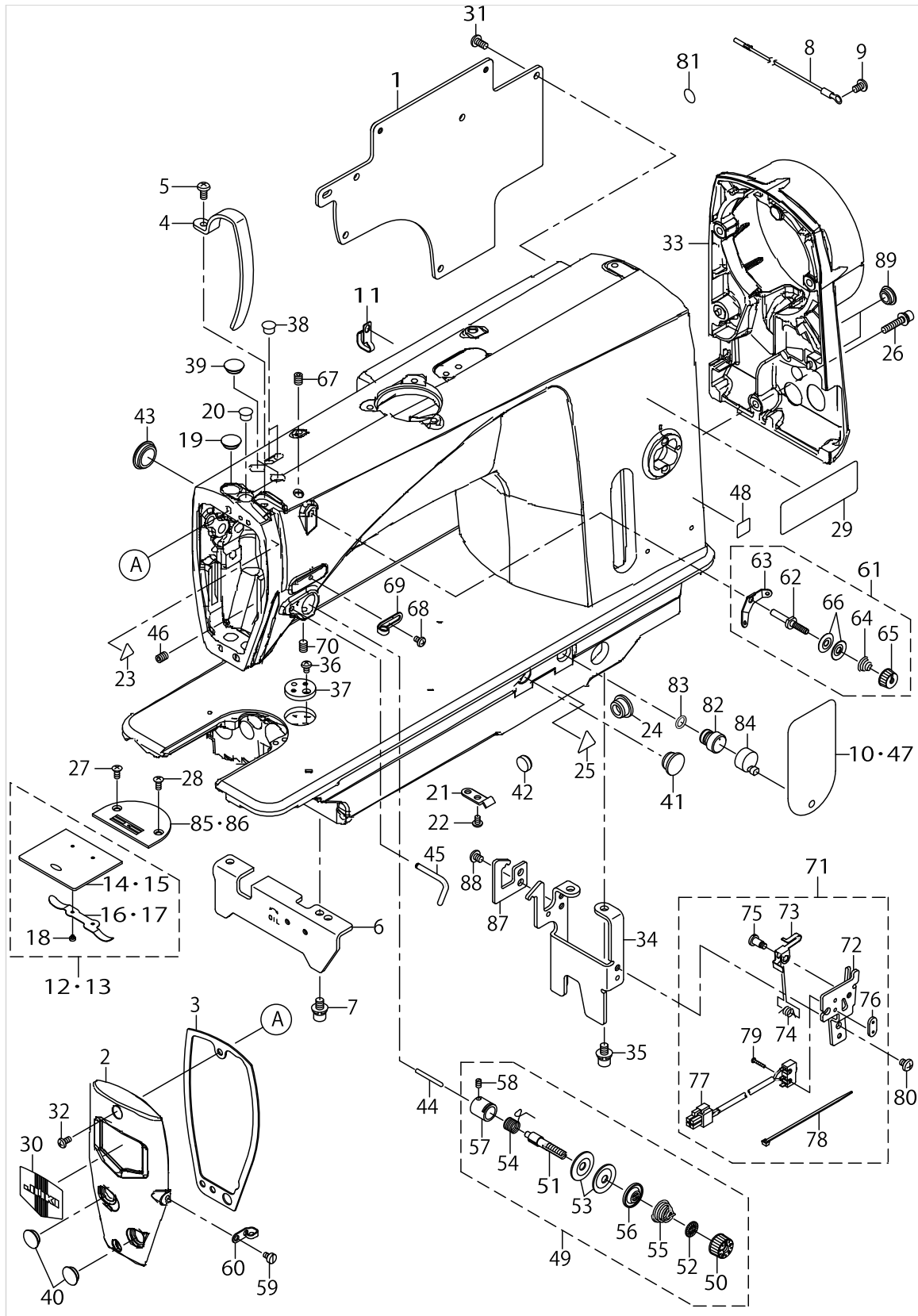
MACHINE FRAME & MISCELLANEOUS COVER COMPONENTS



MACHINE FRAME & MISCELLANEOUS COVER COMPONENTS

No.	Parts No.	Parts name	Remarks	Level	Cons	Qty
1	40067252	SIDE PLATE				1
2	40041161	FACE PLATE				1
3	23600406	FACE PLATE PACKING				1
4	23600505	THREAD TAKE-UP LEVER COVER				1
5	SM4051055SP	SCREW				1
6	23600703	BED STUD A				1
7	SL6061292TN	SCREW				2
8	40061562	EARTH CORD ASM.				1
9	SM4050855SP	SCREW				1
10	40037488	SHEET	VARIOUS NOS.FOR DESTINATIONS			1
11	40022407	CORD HOLDER				1
12	22901250	SLIDE PLATE ASM.	VARIOUS NOS.FOR DESTINATIONS			1
13	22902753	SLIDE PLATE ASM.	VARIOUS NOS.FOR DESTINATIONS			1
14	22901201	SLIDE PLATE		*		1
15	22902704	SLIDE PLATE		*		1
16	22901300	SLIDE PLATE SPRING		*		1
17	22901300	SLIDE PLATE SPRING		*		1
18	SS6060210SP	SCREW 3/32-56 L= 1.9		*		2
19	TA1250406R0	RUBBER PLUG D=12.5 L=4				1
20	TA0850604R0	RUBBER PLUG				1
21	22944508	WIRE PRESSER A				1
22	SM4040655SP	SCREW M4 L=6				1
23	CM300200001	ATTENTION SEAL				1
24	TA1470704R0	RUBBER PLUG				1
25	CM300200003	ATTENTION LABEL				1
26	SL6052592TN	BOLT				3
27	SM2040955TP	SCREW M4 L=8.5			☆	1
28	SM2040955TP	SCREW M4 L=8.5			☆	1
29	CM301300001	SAFETY LABEL				1
30	22902506	FACE PLATE				1
31	SM4051055SP	SCREW				5
32	SM4050855SP	SCREW				2
33	40062104	PULLEY_COVER				1
34	40060815	BED STUD B				1
35	SL6061292TN	SCREW				2
36	SM4040655SP	SCREW M4 L=6				1
37	40035589	RULER PLATE				1
38	TA0850604R0	RUBBER PLUG				2
39	TA1250406R0	RUBBER PLUG D=12.5 L=4				2
40	TA1250406R0	RUBBER PLUG D=12.5 L=4				2
41	TA1470704R0	RUBBER PLUG				1
42	TA1270502R0	RUBBER PLUG				1
43	TA1250406R0	RUBBER PLUG D=12.5 L=4				1
44	B3118552F00	TENSION RELEASING PIN				1
45	40052933	ARM THREAD GUIDE C				1
46	SM80608A2TP	L=8SCREW M6 L=8				1

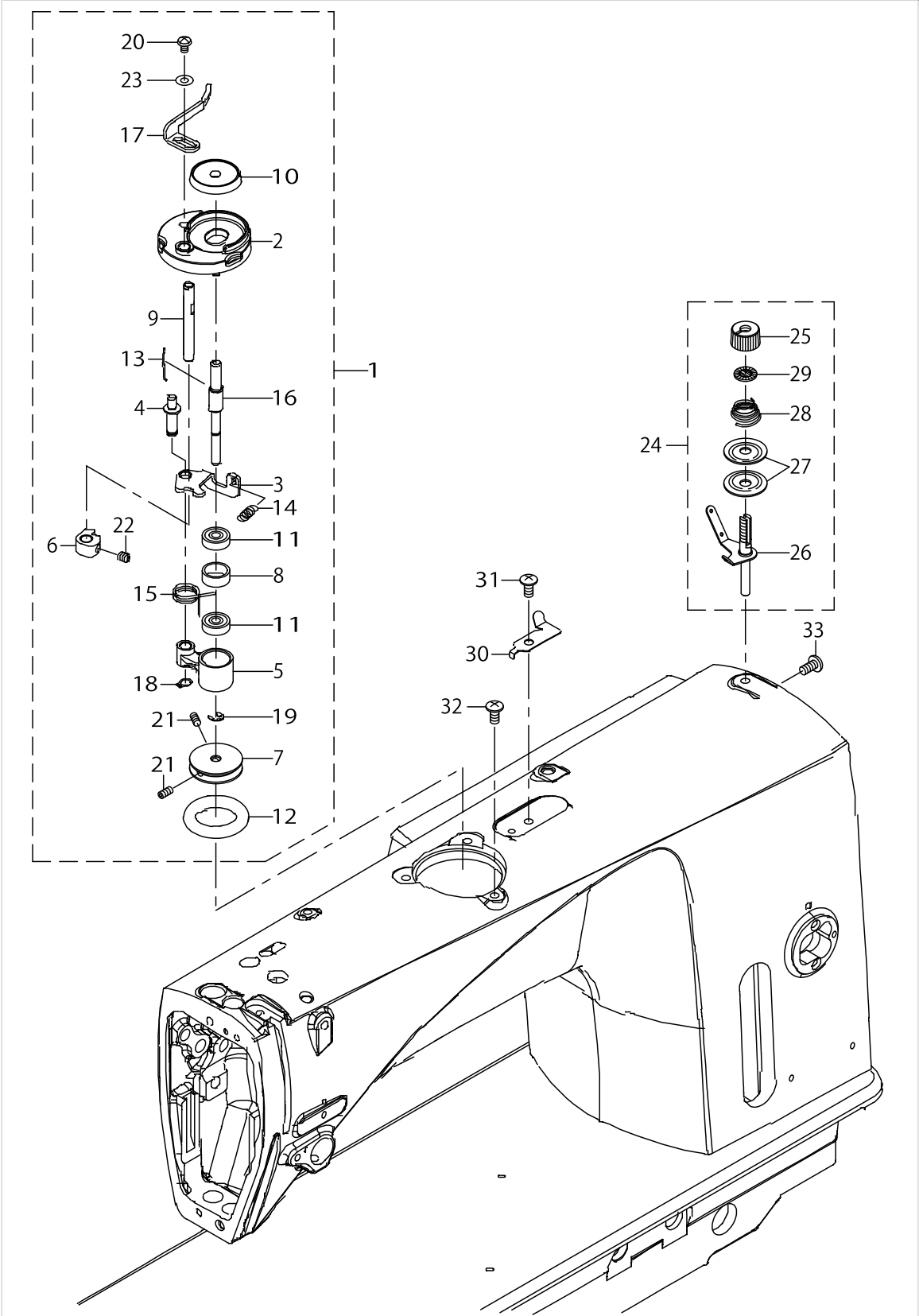
MACHINE FRAME & MISCELLANEOUS COVER COMPONENTS



MACHINE FRAME & MISCELLANEOUS COVER COMPONENTS

No.	Parts No.	Parts name	Remarks	Level	Cons	Qty
47	23640006	SHEET	VARIOUS NOS.FOR DESTINATIONS			1
48	CM600100101	WEEE MARK LABEL S	VARIOUS NOS.FOR DESTINATIONS			1
49	40024843	THREAD TENSION DISK ASM.				1
50	23626005	THREAD TENSION NUT		*		1
51	B3115552000	TENSION POST		*		1
52	B3120125000	ROTATING STOPPER		*		1
53	B3126012000	THREAD TENSION DISK		*		2
54	B3128012000	TAKE-UP SPRING		*	☆	1
55	B3129012A00	TENSION SPRING		*		1
56	B3132552000	THREAD TENSION DISK PRESSER		*		1
57	40024845	TENSION POST SOCKET ASM.		*		1
58	SS8090670SP	SCREW 9/64-40 L= 5.5		*		1
59	SS6110610TP	SCREW 11/64-40 L=6				1
60	22920607	ARM THREAD GUIDE B				1
61	22945463	THREAD TENSION ASM. ,NO.1				1
62	22945414	THREAD TENSION POST		*		1
63	22945604	THREAD TENSION GUIDE		*		1
64	22945505	THREAD TENSION SPRING		*		1
65	22945703	THREAD TENSION NUT		*		1
66	22945802	THREAD TENSION DISK		*		2
67	SM80608A2TP	L=8SCREW M6 L=8				1
68	SM5040655SN	SCREW				1
69	23626104	ARM THREAD GUIDE A				1
70	SM80608A2TP	L=8SCREW M6 L=8				1
71	40037002	SAFETY_SWITCH_ASM.				1
72	40037018	SAFETY SWITCH BASE		*		1
73	23638109	SAFETY SWITCH ARM		*		1
74	23638208	SAFETY SWITCH SPRING		*		1
75	23638307	SAFETY SWITCH ARM SHAFT		*		1
76	23638406	SAFETY SWITCH NUT		*		1
77	23638554	SAFETY SWITCH CORD ASM.		*		1
78	EA9500B0100	CABLE BAND		*		1
79	SM4021201SC	SCREW M2 L=12		*		2
80	SM4050655SP	SCREW M5 L=6				1
81	22901805	GROUND MARK				1
82	23629900	AIR-DISCHARGING				1
83	RO080150200	RUBBER RING				1
84	23601305	AIR-DISCHARGING CAP				1
85	B1109012I0B	THROAT PLATE (I)	VARIOUS NOS.FOR DESTINATIONS			1
86	11028008	THROAT PLATE	VARIOUS NOS.FOR DESTINATIONS			1
87	40060814	BED STUD ANCHOR				1
88	SM4050655SP	SCREW M5 L=6				2
89	TA1250406R0	RUBBER PLUG D=12.5 L=4				2

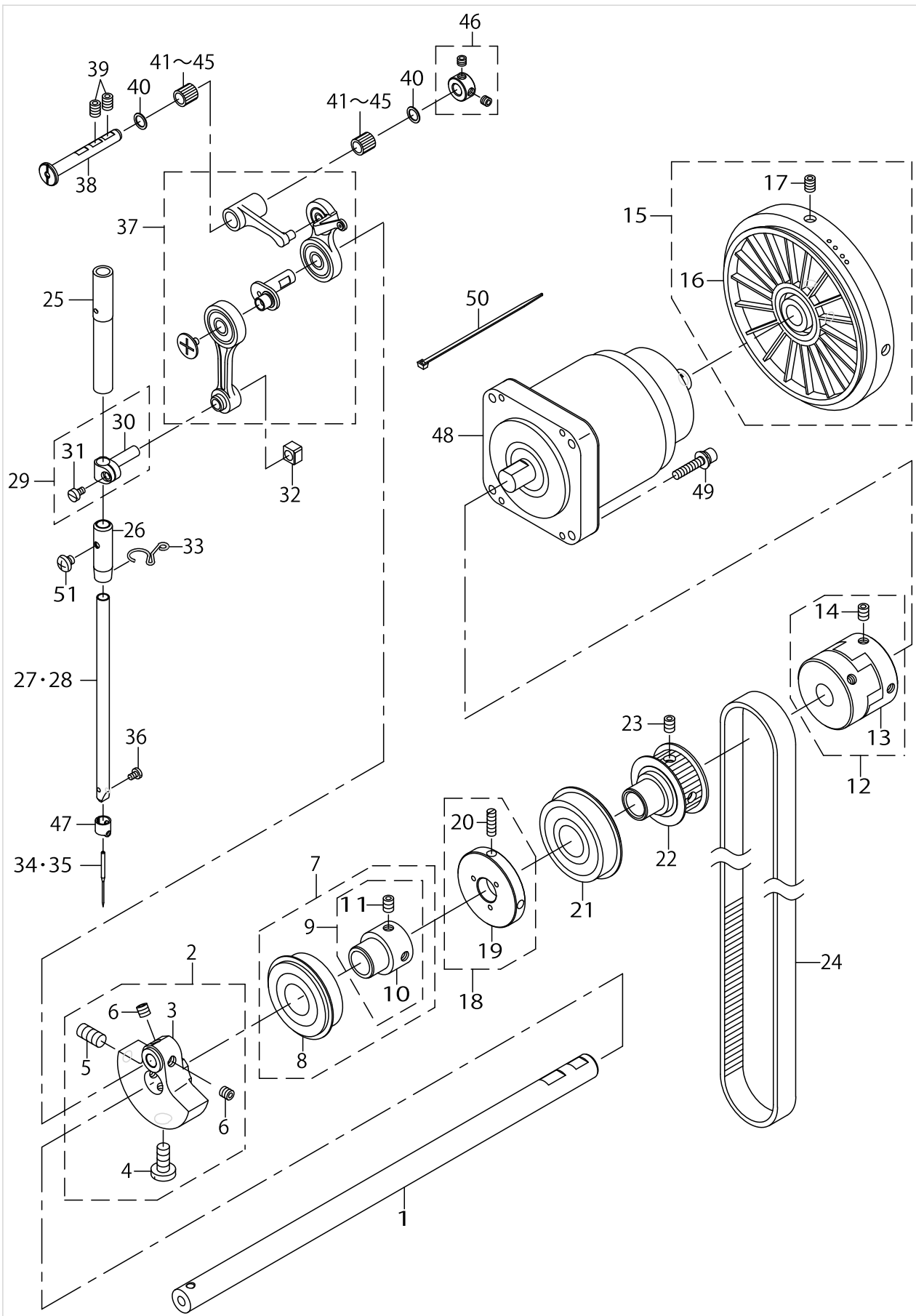
BOBBIN WINDER COMPONENTS



BOBBIN WINDER COMPONENTS

No.	Parts No.	Parts name	Remarks	Level	Cons	Qty
1	40023021	BOBBIN WINDER UNIT				1
2	26260109	BTW_BASE		*		1
3	26260208	BTW_CAM_PLATE		*		1
4	26260307	BTW_BASE_SHAFT		*		1
5	26260406	BTW_SHAFT_BASE		*		1
6	26260505	BTW_CAM_LEVER		*		1
7	26260604	BTW_WHEEL		*		1
8	26260802	BTW_BEARING_SPACER		*		1
9	26261008	BTW_LEVER_SHAFT		*		1
10	26261206	BTW_SPACER		*		1
11	26261305	BTW_BEARING		*		2
12	26261503	BTW_WHEEL_RUBBER		*	☆	1
13	26261602	BOBBIN_SPRING		*		1
14	26261701	BTW_SPRING		*		1
15	40011144	BTW_TORSION_SPRING		*		1
16	40014837	BTW_SHAFT		*		1
17	40023022	BTW LEVER		*		1
18	RC0560711KP	RETAINING RING		*		1
19	RE0400000K0	E-RING 4		*		1
20	SM5040655SN	SCREW		*		1
21	SM8040802TP	SCREW M4X8		*		2
22	SM8050502TP	SCREW M5 L=5		*		1
23	WP0450826SC	WASHER 4.5X10X0.8		*		1
24	40040202	BOBBIN THREAD TENSION ASM.				1
25	11072204	TENSION NUT		*		1
26	40040203	BOBBIN THREAD TENSION ROD ASM.		*		1
27	B3126012000	THREAD TENSION DISK		*		2
28	B3129012A00	TENSION SPRING		*		1
29	B3120125000	ROTATING STOPPER		*		1
30	40037008	THREAD_CUTTER			☆	1
31	SM0051001SC	SCREW				1
32	SM0051001SC	SCREW				3
33	SM4051055SP	SCREW				1

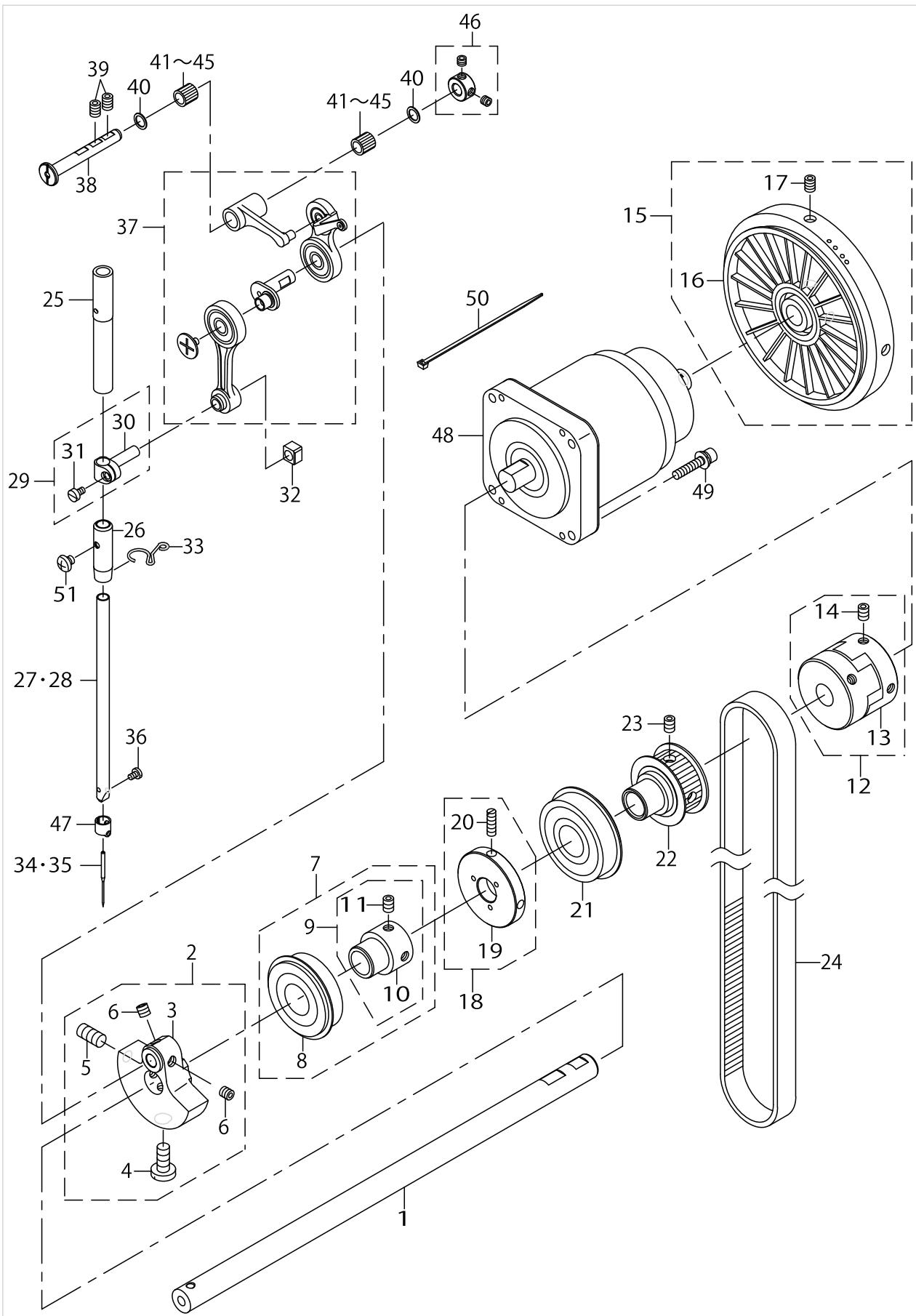
MAIN SHAFT & NEEDLE BAR COMPONENTS



MAIN SHAFT & NEEDLE BAR COMPONENTS

No.	Parts No.	Parts name	Remarks	Level	Cons	Qty
1	23604010	MAIN SHAFT				1
2	40037003	ASSY_COUNTER_WEIGHT				1
3	40025729	COUNTER WEIGHT		*		1
4	40004171	COUNTER_WEIGHT_SCREW		*		1
5	SM8081652TP	SCREW M8 L=16		*		1
6	SM80606A2TP	L=6SCREW M6 L=6		*		2
7	23605256	BEARING SUPPORT COMPL.				1
8	SB120001300	BEARING		*		1
9	40044857	FRONT BEARING SUPPORT ASM.		*		1
10	23605207	MAIN SHAFT BEARING SUPPORT		*		1
11	SM80608A2TP	L=8SCREW M6 L=8		*		2
12	40051473	COUPLING ASM.				1
13	40051474	COUPLING		*		1
14	SM80608A2TP	L=8SCREW M6 L=8		*		4
15	40062371	HAND WHEEL ASM.				1
16	40062372	HAND WHEEL		*		1
17	SM80608A2TP	L=8SCREW M6 L=8		*		2
18	40020454	BTW DRIVING WHEEL ASM.				1
19	40020455	BTW DRIVING WHEEL		*		1
20	SM8051610SP	SCREW M5 L=16		*		2
21	SB120000800	BEARING				1
22	40039946	SPROCKET ASM.				1
23	SM80608A2TP	L=8SCREW M6 L=8				2
24	23607302	TIMING BELT				1
25	23608003	NEEDLE BAR METAL,UPPER				1
26	40036347	NEEDLE BAR LOWER METAL B				1
27	22886907	NEEDLE BAR (A)	VARIOUS NOS.FOR DESTINATIONS (FOR DBX1)			1
28	22887004	NEEDLE BAR (B)	VARIOUS NOS.FOR DESTINATIONS (FOR DPX5)			1
29	22906457	NEEDLE BAR HOLDER ASM.				1
30	22906408	NEEDLE ROD HOLDER		*		1
31	SS6090670TP	SCREW 9/64-40 L=6		*		1
32	B1414555000	SLIDE BLOCK				1
33	23626203	NEEDLE BAR THREAD GUIDE				1
34	MDB100B1100	NEEDLE DBX1 #11	VARIOUS NOS.FOR DESTINATIONS (FOR DBX1)		☆	1
35	MC200500750	NEEDLE 134 NM75	VARIOUS NOS.FOR DESTINATIONS (FOR DPX5)		☆	1
36	SS7080510TP	SCREW 1/8-44 L=4.5			☆	1
37	40037370	THREAD TAKE UP COMP.				1
38	40035855	THREAD TAKE UP CRANK SHAFT				1
39	SM80608A2TP	L=8SCREW M6 L=8				2
40	22891204	BEARING SUPPORT				2
41	SB307000200	BEARING	SELECTIVE PARTS			2
42	SB30700020A	BEARING	SELECTIVE PARTS			2
43	SB30700020B	BEARING	SELECTIVE PARTS			2
44	SB30700020C	BEARING	SELECTIVE PARTS			2
45	SB30700020D	BEARING	SELECTIVE PARTS			2
46	40010434	THRUST_COLLAR_ASM.				1
47	22906309	NEEDLE BAR THREAD GUIDE				1

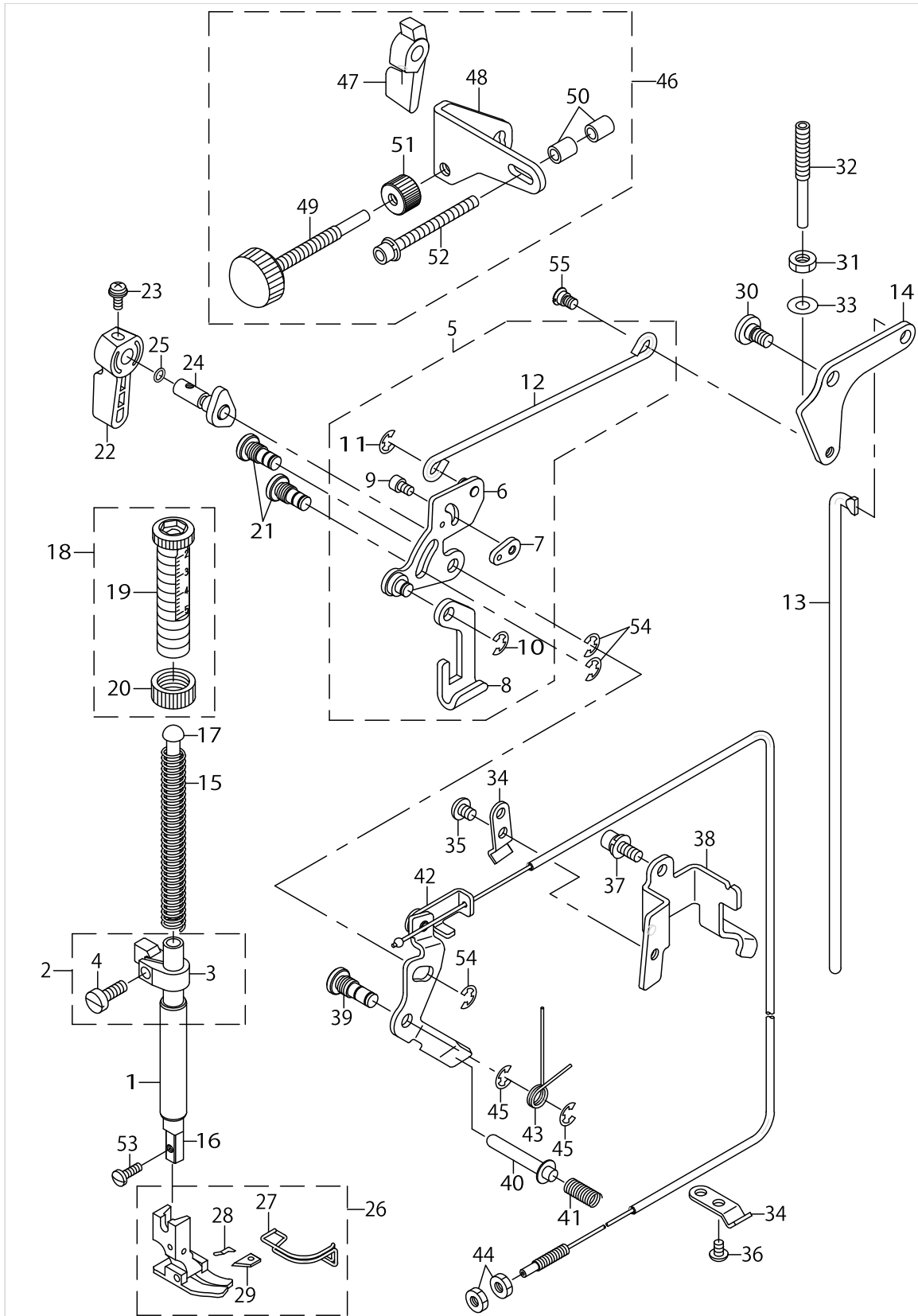
MAIN SHAFT & NEEDLE BAR COMPONENTS



MAIN SHAFT & NEEDLE BAR COMPONENTS

No.	Parts No.	Parts name	Remarks	Level	Cons	Qty
48	40050265	AC_SERVO_MOTOR				1
49	SL6052592TN	BOLT				4
50	EA9500B0100	CABLE BAND				2
51	SM4050501SC	SCREW M5X0.8 L=5				1

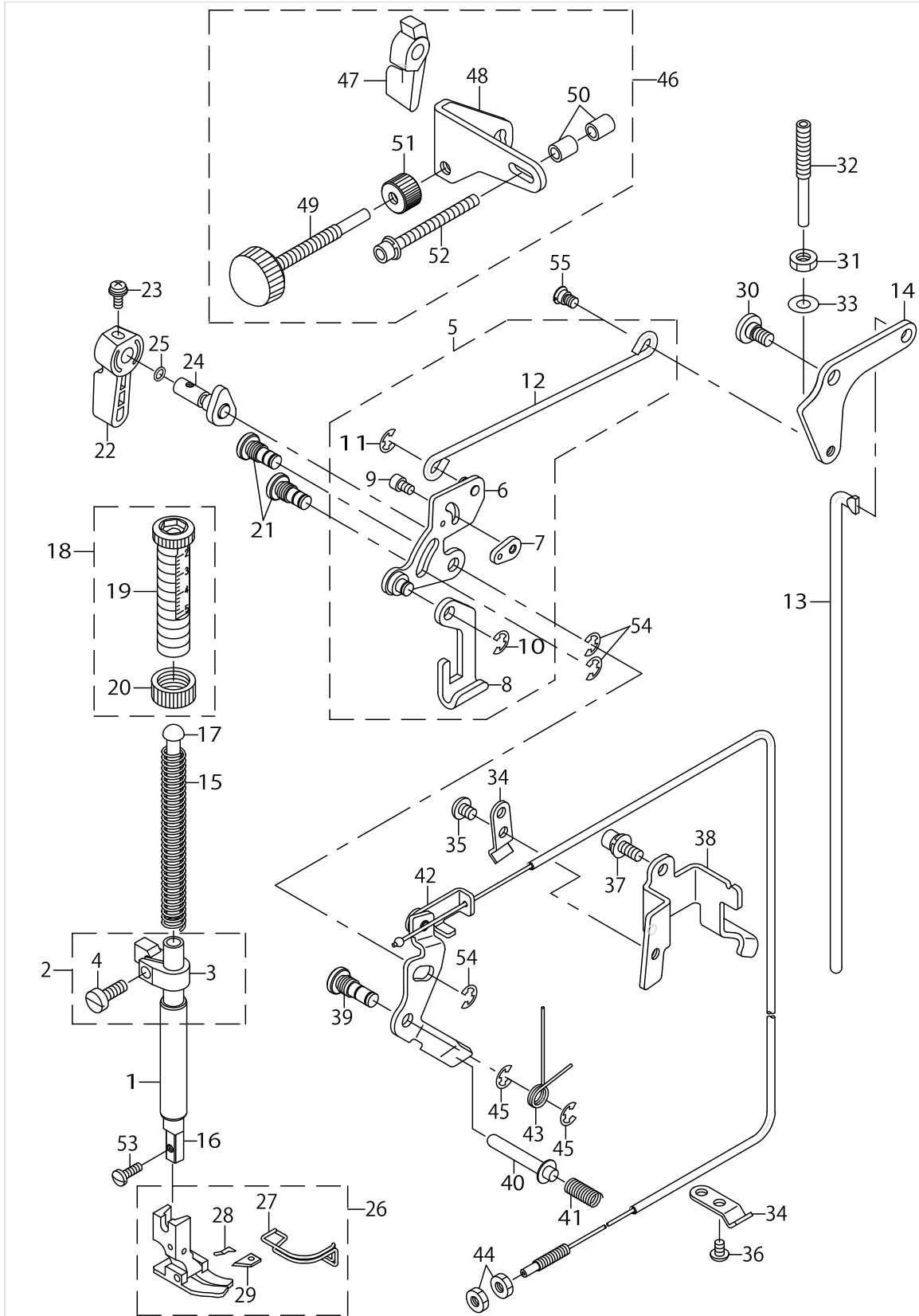
HAND LIFTER & TENSION RELEASE COMPONENTS



HAND LIFTER & TENSION RELEASE COMPONENTS

No.	Parts No.	Parts name	Remarks	Level	Cons	Qty
1	23609001	BUSHING				1
2	40040264	PRESSER BAR GUIDE BRACKET ASM.				1
3	40039078	PRESSER BAR GUIDE BRACKET		*		1
4	SM6051400SP	SCREW		*		1
5	23609357	LIFTING LEVER CONNECT ROD ASM.				1
6	23609456	LIFTING LINK COMPL.		*		1
7	23609605	PLATE		*		1
8	22908008	LIFTING PLATE		*		1
9	SM6040602TP	SCREW M4 L=6		*		1
10	RE0500000K0	E-RING		*		1
11	RE0500000K0	E-RING		*		1
12	23609308	LIFTING LEVER CONNECT ROD		*		1
13	23609803	CONNECTING ROD				1
14	23609704	LIFTING LEVER LINK				1
15	22907406	PRESSER SPRING				1
16	23610207	PRESSER BAR				1
17	23610306	PRESSER GUIDE BAR				1
18	40037359	PRESSER SPRING REGULATOR ASM.				1
19	40037141	PRESSER SPRING REGULATOR		*		1
20	40037144	PRESSER SPRING REGULATOR NUT		*		1
21	40050583	LINK SHAFT				2
22	22907802	HAND LIFTER				1
23	B1521555000	SCREW				1
24	22908552	HAND LIFTER CAM ASM.				1
25	RO037180100	RUBBER RING				1
26	40070134	PRESSER FOOT ASM			☆	1
27	40070074	NEEDLE GUARD		*		1
28	11434313	FIXING SPRING		*	☆	1
29	11434206	THREAD CUTTER KNIFE		*	☆	1
30	SD0720336SP	SHOULDER SCREW				1
31	NM6060003SE	NUT FOR BRACKET				1
32	40036706	ADJUSTING SCREW				1
33	WP0621016SD	WASHER 6.2X13X1				1
34	22944508	WIRE PRESSER A				2
35	SM4050655SP	SCREW M5 L=6				1
36	SM4040655SP	SCREW M4 L=6				1
37	SL6051492TN	BOLT				1
38	40039708	WIRE HOLDER				1
39	40050582	TENSION RELEASE SHAFT				1
40	22920300	THREAD RELEASE SUPPORTING PIN				1
41	22920409	THREAD RELEASE PIN SPRING				1
42	23626351	THREAD TENSION RELEASE WIRE				1
43	23626807	TENSION RELEASE RETURN SPRING				1
44	NS6620310SP	NUT 3/16-32				2
45	RE0500000K0	E-RING				2
46	40056622	MINUTE LIFTING DEVICE ASM.	OPTIONAL PARTS			1
47	23611106	HAND LIFTER		*		1

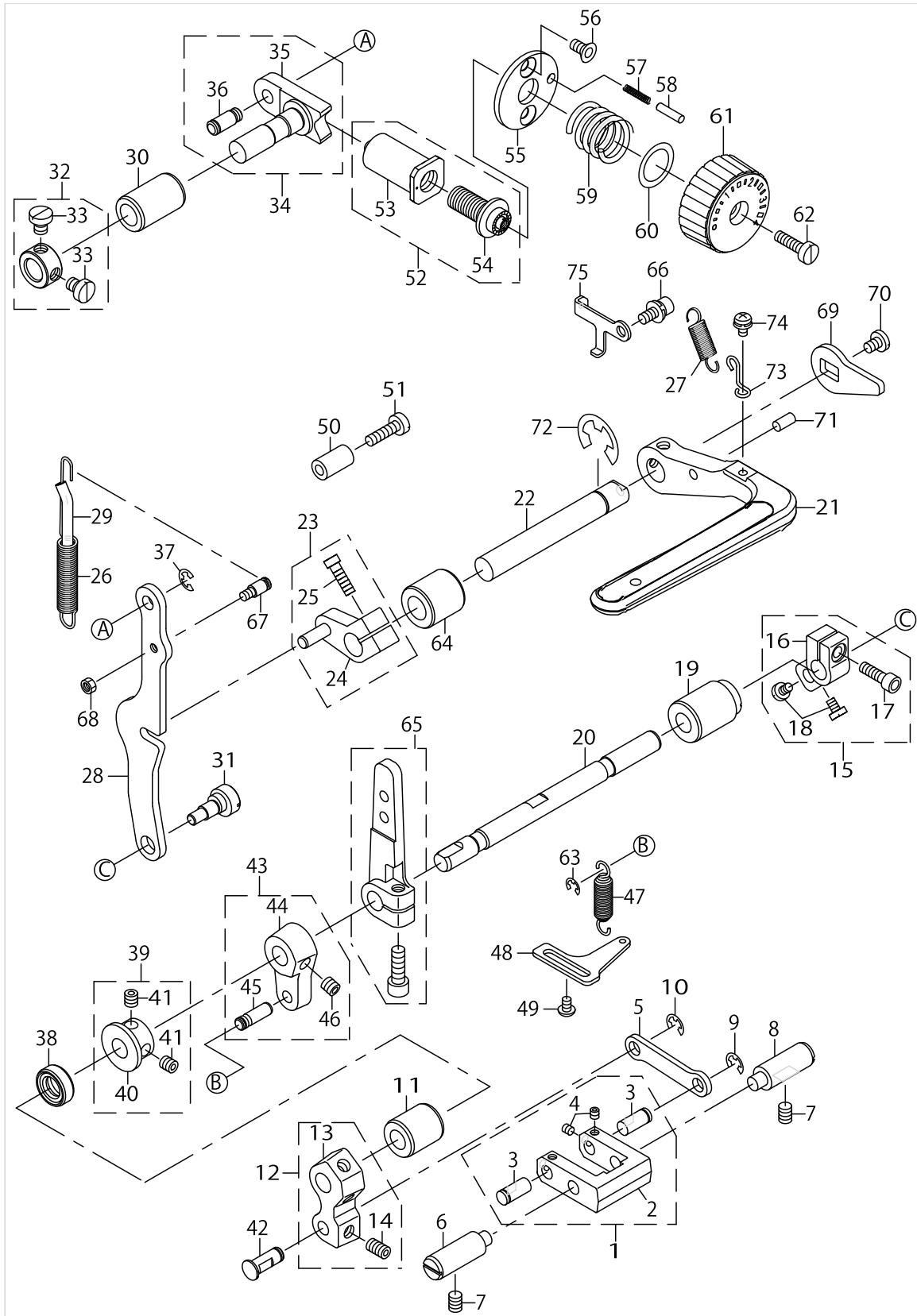
HAND LIFTER & TENSION RELEASE COMPONENTS



HAND LIFTER & TENSION RELEASE COMPONENTS

No.	Parts No.	Parts name	Remarks	Level	Cons	Qty
48	23610504	STOPPER BASE		*		1
49	23610652	STOPPER SCREW ASM.		*		1
50	D5119206K0K	SPACER		*		2
51	23610702	STOPPER SCREW NUT		*		1
52	SL6053592TN	BOLT		*		1
53	SS7091110TP	SCREW 9/64-40 L=10.5			☆	1
54	RE0500000K0	E-RING				3
55	22908909	HINGE SCREW				1

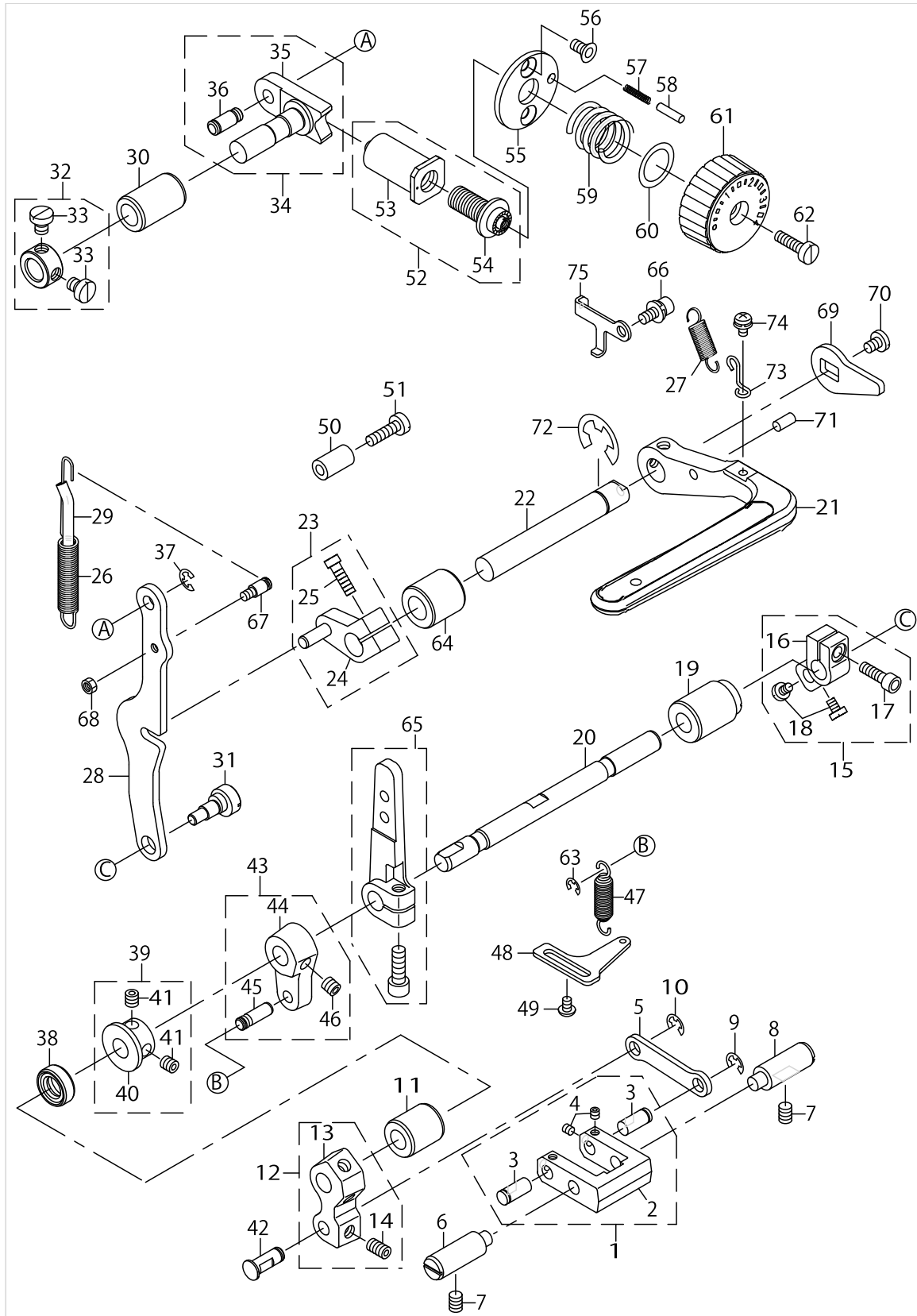
FEED ADJUST MECHANISM COMPONENTS



FEED ADJUST MECHANISM COMPONENTS

No.	Parts No.	Parts name	Remarks	Level	Cons	Qty
1	40037188	ADJUSTING LINK ASM.				1
2	40026272	ADJUSTING LINK		*		1
3	40033393	ADJUSTING LINK PIN		*		2
4	SM80404A2TP	CREW M4 L=4		*		4
5	23612104	ADJUSTING LINK CONNECTING LINK				1
6	40012032	ADJUSTING LINK FULCRUM SHAFT				2
7	SM80608A2TP	L=8SCREW M6 L=8				2
8	40040370	ADJUSTING LINK FULCRUM SHAFT B				1
9	RE0500000K0	E-RING				1
10	RE0500000K0	E-RING				1
11	23612807	METAL,A				1
12	40056502	FEED CHANGING SHAFT ARM A ASM.				1
13	40053465	FEED CHANGING SHAFT ARM A		*		1
14	SS8661012TP	SCREW		*		3
15	40037191	FEED CHANGING SHAFT ARM B ASM.				1
16	40026274	FEED CHANGING SHAFT ARM B		*		1
17	SM6051602TP	SCREW M5X0.8 L=16		*		1
18	SM9040600SP	HEAXGON BOLT		*		2
19	40060869	FEED CHANGING SHAFT METAL B				1
20	40037017	FEED CHANGING SHAFT				1
21	40060809	REVERSE FEED LEVER				1
22	40060807	FEED LEVER SHAFT				1
23	40061012	FEED LEVER ARM ASM.				1
24	23613904	FEED LEVER ARM		*		1
25	SS6121860SP	SCREW 3/16-28 L=18		*		1
26	40060817	FEED ADJUSTING SPRING				1
27	26226209	SPRING				1
28	40060823	FEED ADJUSTING ROD				1
29	23630007	TUBE				0.07
30	23613508	ADJUSTING BASE SHAFT METAL				1
31	40028112	FEED_ADJUSTING_PIN				1
32	CS111101CSH	THRUST COLLAR ASM.D=11.11 W=10				1
33	SS6660710TP	SCREW 1/4-40 L=7		*		2
34	40036344	FEED REGULATOR ASSY				1
35	40036343	FEED REGULATOR		*		1
36	40040499	FEED REGUKATOR PIN		*		1
37	RE0500000K0	E-RING				1
38	23612609	FEED CHANGING SHAFT OIL SEAL				1
39	40055585	THRUST COLLAR ASM.				1
40	23612716	THRUST COLLAR		*		1
41	SS8660612TP	SCREW 1/4-40 L=6		*		2
42	40053340	ADJUSTING LINK PIN				1
43	40053450	FEED CHANGING SHAFT ARM C ASM.				1
44	40050221	FEED CHANGING SHAFT ARM C		*		1
45	40056721	FEED CHANGING SHAFT ARM C PIN		*		1
46	SS8660612TP	SCREW 1/4-40 L=6		*		1
47	40050219	FEED CHANGING SHAFT SPRING				1

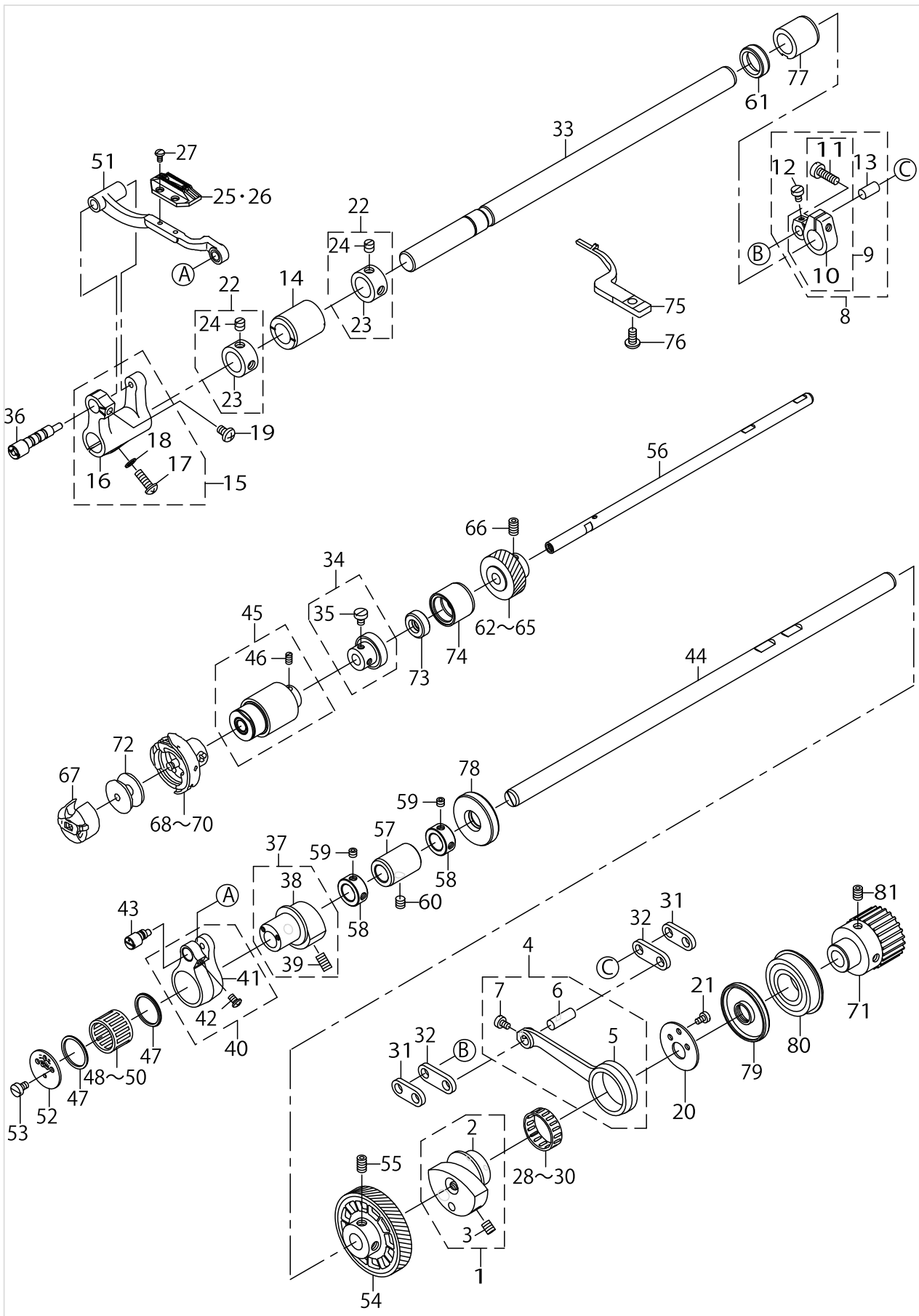
FEED ADJUST MECHANISM COMPONENTS



FEED ADJUST MECHANISM COMPONENTS

No.	Parts No.	Parts name	Remarks	Level	Cons	Qty
48	40050220	FEED CHANGING SHAFT SPRING HOOK				1
49	SM4040655SP	SCREW M4 L=6				1
50	22952501	BACK LEVER STOPPER				1
51	SM6051850TP	SCREW M5 L=18				1
52	40062651	FEED ADJUSTING SHAFT ASM				1
53	40055569	FEED_ADJUSTING_SHAFT		*		1
54	23533904	FEED ADJUSTING SCREW		*		1
55	40053172	FEED ADJUSTING BASE				1
56	SM1051052TN	SCREW M5 L=10				2
57	22912109	FEED REGULATOR PIN SPRING				1
58	22912000	FEED REGULATOR PIN				1
59	23534506	FEED DIAL SPRING				1
60	WP1751616SD	WASHER 17.5X24X1.6				1
61	40050584	FEED DIAL 4				1
62	SS6121860SP	SCREW 3/16-28 L=18				1
63	RE0400000K0	E-RING 4				1
64	23613805	FEED LEVER SHAFT METAL				1
65	40061560	FEED_CHANGING_BALANCER_ARM_ASM				1
66	SL6051292TN	BOLT				1
67	40023289	SPRING SUSPENSION				1
68	NS6110310SP	NUT 11/64-40				1
69	40060821	FEED LEVER PLATE				1
70	SS7620750SP	SCREW 3/16-32 L= 6.5				1
71	PS0500102KH	SPRING PIN 5.0X10				1
72	RC1200001KP	C-SHAPED SNAP RING				1
73	40062316	LEVER RETURN SPRING HOOK				1
74	SL4040805SC	SCREW				1
75	40060813	LEVER SPRING HOOK				1

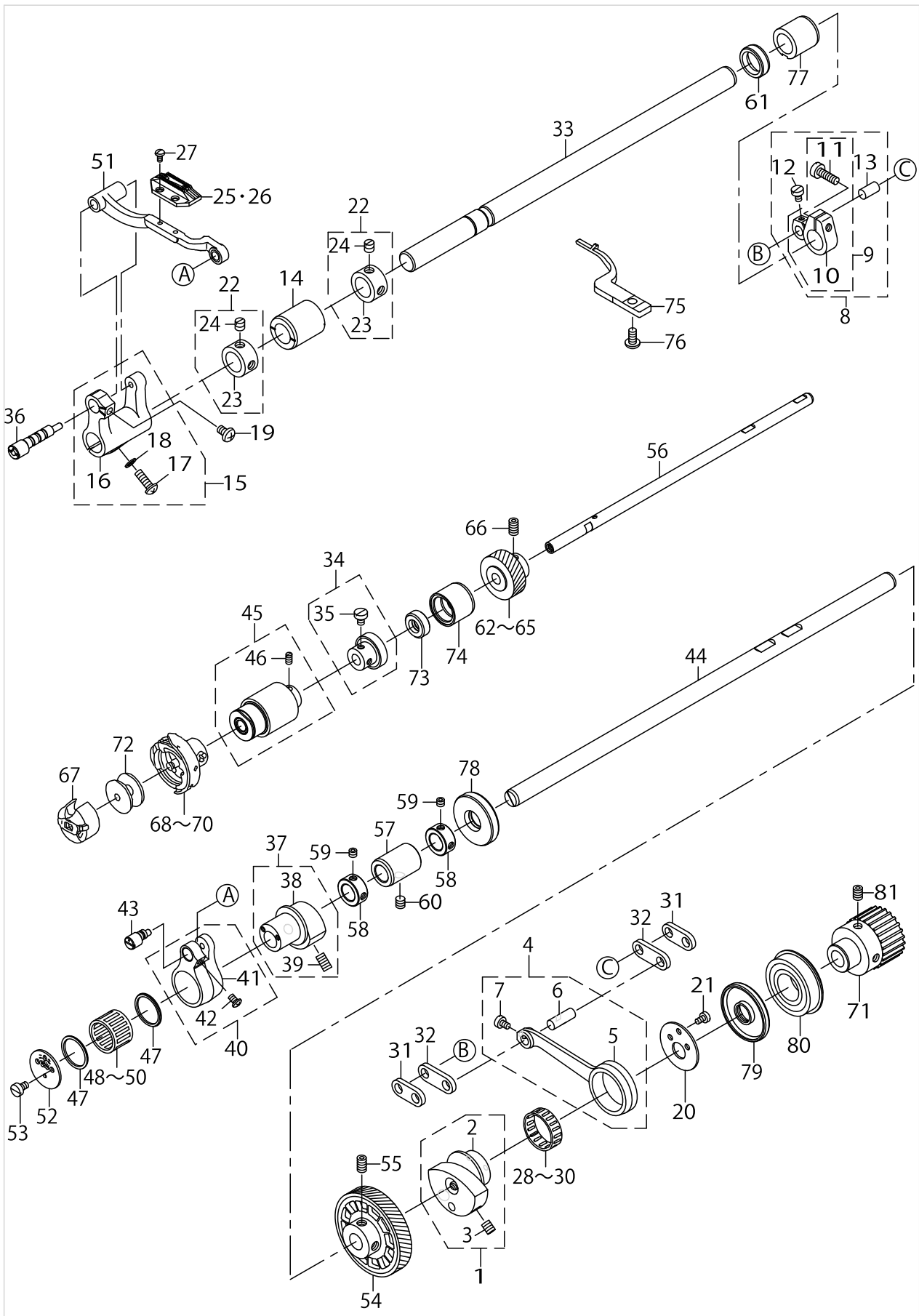
HORIZONTAL FEED, VERTICAL FEED & HOOK DRIVING SHAFT COMPONENTS



HORIZONTAL FEED, VERTICAL FEED & HOOK DRIVING SHAFT COMPONENTS

No.	Parts No.	Parts name	Remarks	Level	Cons	Qty
1	40037192	FEED ROCKER CAM ASM.				1
2	23616006	FEED ROCKER CAM		*		1
3	SS8150822TP	SCREW 15/64-28 L=8		*		2
4	40037365	FEED ROCKER ROD ASM.				1
5	40026277	FEED ROCKER ROD		*		1
6	22911101	WALKING FOOT PIN C		*		1
7	SS6090620TP	SCREW		*		1
8	40061246	FEED ROCKER ARM ALL ASM.				1
9	40058504	FEED ROCKER ARM ASM.		*		1
10	40042079	FEED ROCKER ARM		*		1
11	SS6121610SP	SCREW 3/16-28 L=15.5		*		1
12	SS6090620TP	SCREW		*		1
13	22911002	WALKING FOOT PIN B		*		1
14	40060868	FEED SHAFT FRONT METAL				1
15	40037005	ASSY_FEED_ROCKER_BASE_ARM				1
16	40026281	FEED ROCKER BASE ARM		*		1
17	SM6051400SP	SCREW		*		1
18	WP0531000SD	WASHER M5		*		1
19	SM4050855SP	SCREW				1
20	23616204	FEED ROCKER CAM PLATE				1
21	SS6090670TP	SCREW 9/64-40 L=6				2
22	22904155	MAIN SHAFT THRUST COLLAR ASM.				2
23	22904106	MAIN SHAFT THRUST COLLAR		*		1
24	SS8660610TP	SCREW 1/4-40 L=6		*		2
25	B1613012I00	FEED DOG I				1
26	23614506	FEED DOG A				1
27	SS4080620TP	SCREW 1/8-44 L=6				2
28	B412352200A	NEEDLE BEARING	SELECTIVE PARTS			1
29	B412352200B	NEEDLE ROLLAR	SELECTIVE PARTS			1
30	B412352200C	NEEDLE ROLLAR	SELECTIVE PARTS			1
31	40026278	CONNECTING LINK A				2
32	40060448	CONNECTING LINK B				2
33	23616600	FEED ROCKER SHAFT				1
34	23620354	BEARING SUPPORT ASM.				1
35	SS6110650TP	SCREW 11/64-40 L=5.5		*		2
36	40026282	FEED ROCKER BASE SHAFT				1
37	40000391	VERTICAL FEED CAM ASM. 5				1
38	40000392	VERTICAL FEED CAM 5		*		1
39	SS8151150TP	SCREW 15/64-28 L=10.5		*		2
40	40053720	FEED DRIVING BASE ARM ASM.				1
41	40026287	FEED DRIVING BASE ARM		*		1
42	SM4040655SP	SCREW M4 L=6		*		1
43	40026288	FEED DRIVING BASE SHAFT				1
44	40030790	FEED DRIVING SHAFT				1
45	40060511	LOWER SHAFT BEARING ASM.				1
46	SS8110710SP	SCREW 11/64-40 L=6.5		*		2
47	23618101	FEED DRIVING CAM THRUST BUSH				2

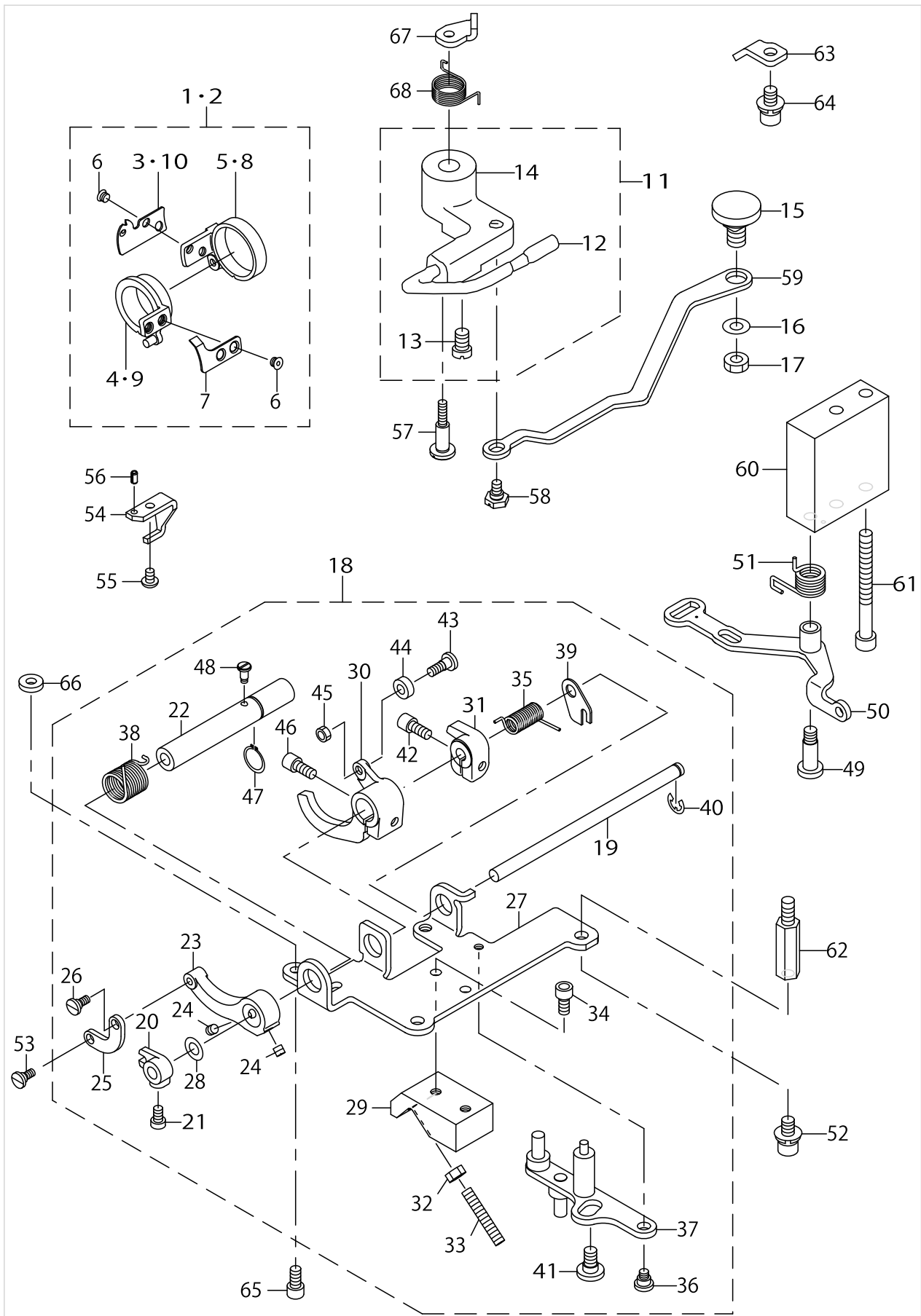
HORIZONTAL FEED, VERTICAL FEED & HOOK DRIVING SHAFT COMPONENTS



HORIZONTAL FEED, VERTICAL FEED & HOOK DRIVING SHAFT COMPONENTS

No.	Parts No.	Parts name	Remarks	Level	Cons	Qty
48	SB32000060A	BEARING	SELECTIVE PARTS			1
49	SB32000060B	BEARING	SELECTIVE PARTS			1
50	SB32000060C	BEARING	SELECTIVE PARTS			1
51	40030786	FEED BASE COMPL.				1
52	23618309	FEED DRIVING CAM PLATE				1
53	SS6090670TP	SCREW 9/64-40 L=6				2
54	23620503	GEAR,LARGE				1
55	SS8661012TP	SCREW				2
56	23620008	HOOK SHAFT				1
57	40060804	FEED DRIVING SHAFT BUSHING FRONT				1
58	CS1200981TP	THRUST COLLAR D=12 W=9				2
59	SM8050412TP	SCREW M5 L=4				4
60	SM80606A2TP	SCREW M6 L=6				1
61	22888002	OIL SEAL				1
62	23620701	GEAR,SMALL(A)	SELECTIVE PARTS			1
63	23620800	GEAR,SMALL(B)	SELECTIVE PARTS			1
64	23620909	GEAR,SMALL(C)	SELECTIVE PARTS			1
65	23621006	GEAR,SMALL(D)	SELECTIVE PARTS			1
66	SS8661012TP	SCREW				2
67	22896252	BOBBIN CASE ASM.			☆	1
68	22890305	RP HOOK S	VARIOUS NOS.FOR DESTINATIONS		☆	1
69	22890404	RP HOOK C	VARIOUS NOS.FOR DESTINATIONS		☆	1
70	22890206	RP HOOK	VARIOUS NOS.FOR DESTINATIONS		☆	1
71	40031608	SPROCKET ASM.				1
72	B9117552A00	BOBBIN			☆	1
73	22890008	HOOK DRIVING SHAFT OIL SEAL				1
74	23620404	HOOK SHAFT REAR METAL				1
75	40068998	INNER HOOK HOLDER				1
76	SM4051055SP	SCREW				1
77	40060865	FEED SHAFT REAR METAL				1
78	23618705	OIL SEAL				1
79	23618804	OIL SEAL				1
80	SB120001000	BEARING				1
81	SM80608A2TP	SCREW M6 L=8				2

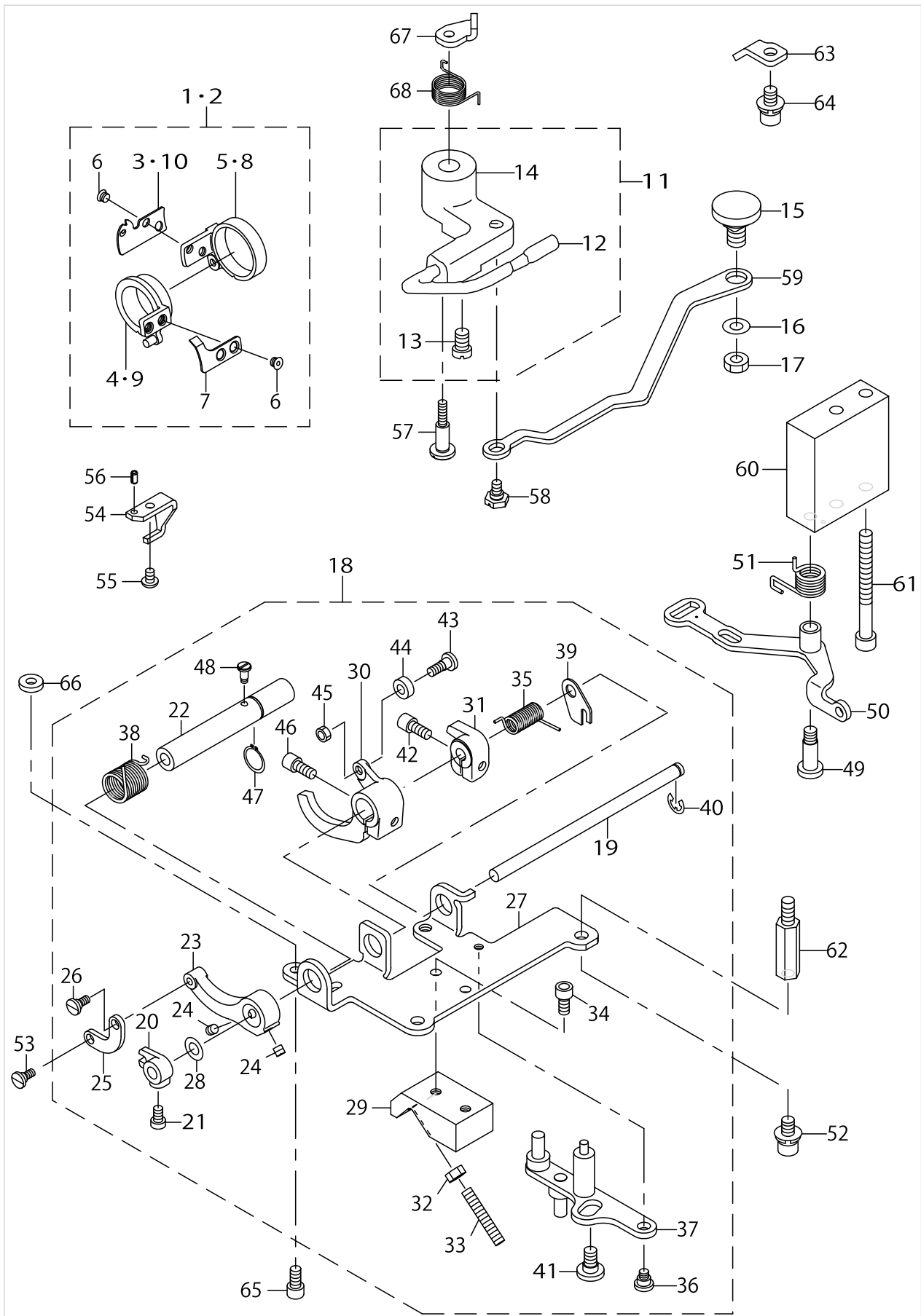
THREAD TRIMMER COMPONENTS (1)



THREAD TRIMMER COMPONENTS (1)

No.	Parts No.	Parts name	Remarks	Level	Cons	Qty
1	40060782	KNIFE UNIT				1
2	40067412	KNIFE UNIT	OPTIONAL PARTS			1
3	11420205	LOOP SPREADING KNIFE		*	☆	1
4	40060783	KNIFE BASE ASM.		*		1
5	11420502	LOOP SPREADING BASE		*		1
6	11420601	SCREW		*		4
7	11420106	THREAD CUTTER KNIFE		*	☆	1
8	11497104	LOOP SPREADING BASE	OPTIONAL PARTS	*		1
9	40067413	KNIFE BASE ASM.	OPTIONAL PARTS	*		1
10	11497302	THREAD HAUL KNIFE	OPTIONAL PARTS	*		1
11	40066590	ASSY PICKER ARM				1
12	40036997	ASSY_PICKER		*	☆	1
13	SS6090510TP	SCREW 9/64-40 L= 5.0		*		2
14	40066591	PICKER ARM		*		1
15	22950000	PICKER LINK PIN				1
16	WP0621016SH	WASHER				1
17	NS6150310SP	NUT 15/64-28				1
18	40060800	THREAD CUTTER DRIVING UNIT				1
19	11420700	THREAD CUTTER KNIFE SHAFT		*		1
20	11421500	KNIFE DRIVING ARM		*		1
21	SS7110740TP	SCREW 11/64-40 L=7		*		1
22	11420809	LOOP SPREADING SHAFT		*		1
23	40060793	LOOP SPREADING ARM		*		1
24	SS8110410TP	SCREW 11/64-40 L= 3.5		*		2
25	11421401	LOOP SPREADING CONNECTING LINK		*		1
26	SD0500251SP	HINGE SCREW D= 5 H= 2.5		*		1
27	40060787	BASE PLATE		*		1
28	WP0651056SH	WASHER 6.5X11X1		*		1
29	40060799	STOPPER BLOCK		*		1
30	11421104	LOOP SPREADING ARM		*		1
31	11421203	KNIFE DRIVING STITCH TONGUE		*		1
32	NM6050001SD	NUT M5X0.8		*		2
33	SM8053002TP	SCREW M5 L=30		*		2
34	SM6051002TP	SCREW M5X0.8 L=10		*		2
35	40062180	KNIFE RETURN SPRING		*		1
36	SD0640321TP	HINGE SCREW D=6.35 H=3.2		*		1
37	40060789	CLUTCH PLATE ASM.		*		1
38	40066592	LOOP SPREAD SPRING		*		1
39	11421708	SPRING HOOK		*		1
40	RE0500000K0	E-RING		*		1
41	SD0720331SP	HINGE SCREW D= 7.24 H= 3.3		*		1
42	SS6621212TP	SCREW 3/16-32 L=12.0		*		1
43	SD0500402SP	HINGE SCREW D= 5 H= 4		*		1
44	D2422530D00	CAM ROLLER		*		1
45	NS6110310SP	NUT 11/64-40		*		1
46	SS6621212TP	SCREW 3/16-32 L=12.0		*		1
47	RC1200001KP	C-SHAPED SNAP RING		*		1

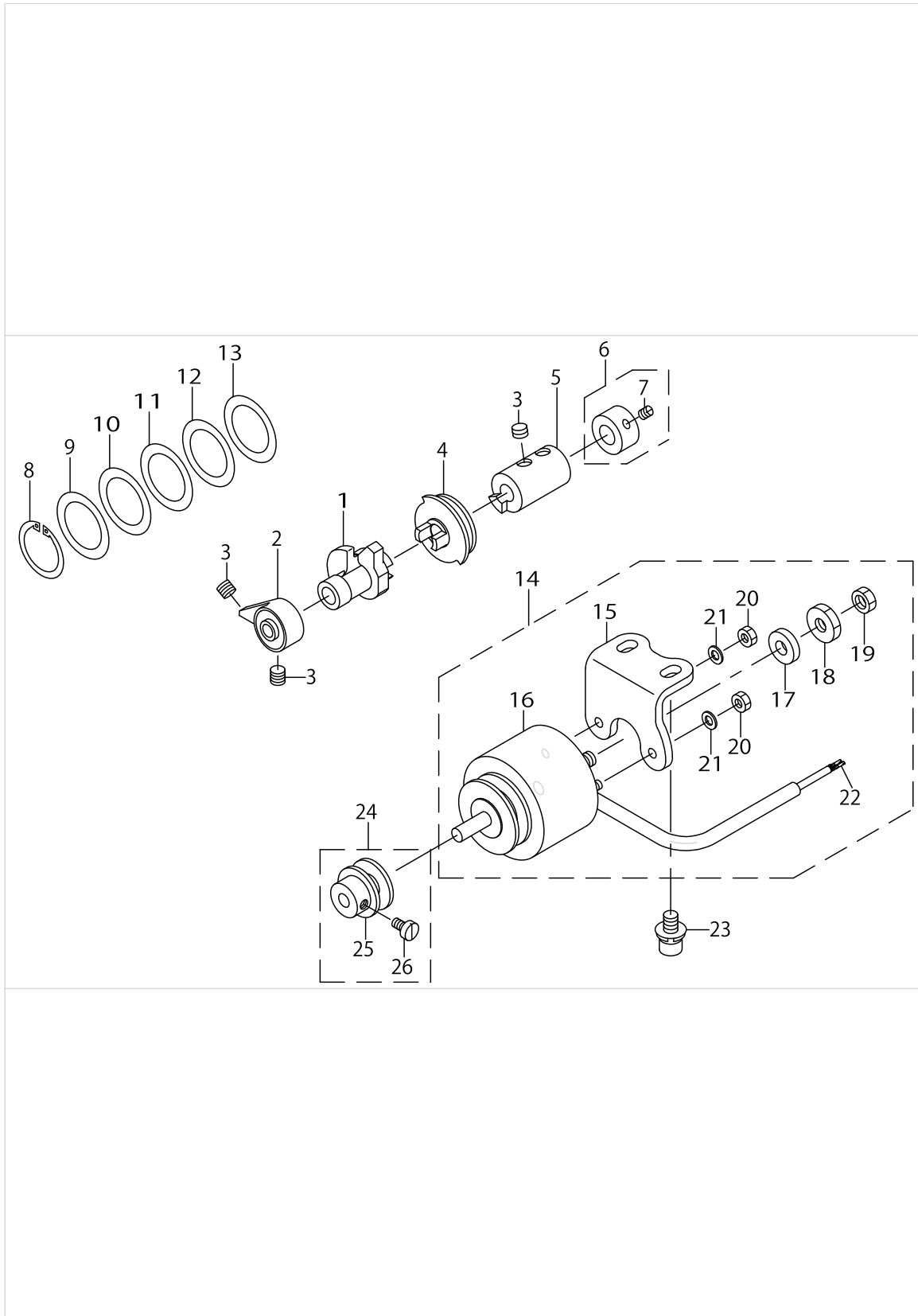
THREAD TRIMMER COMPONENTS (1)



THREAD TRIMMER COMPONENTS (1)

No.	Parts No.	Parts name	Remarks	Level	Cons	Qty
48	SD0380551SL	HINGE SCREW D= 3.80 H= 5.5		*		1
49	SD0701511TP	HING SCREW D=7 H=15.1				1
50	40060796	TENSION RELEASING LEVER ASM.				1
51	11353505	SPRING				1
52	SL6061292TN	SCREW				2
53	SD0500251SP	HINGE SCREW D= 5 H= 2.5				1
54	40066602	KNIFE DRIVING ARM STOPPER				1
55	SM4040655SP	SCREW M4 L=6				1
56	PS0300062KH	SPRING PIN 3X6				1
57	SD0641456TP	SHOULDER SCREW D=6.35 H=14.5				1
58	SD0630275SP	HINGE SCREW D= 6.35 H= 2.7				1
59	40060795	PICKER LINK				1
60	40060802	TENSION RELEASING LEVER BASE				1
61	SM6066002TN	BOLT M6 L=60				2
62	40060832	STUD BOLT				1
63	40060801	STOPPER PLATE				1
64	SL6061292TN	SCREW				1
65	SM6051002TP	SCREW M5X0.8 L=10				1
66	WP0502616SD	WASHER				1
67	40062168	PICKER SPRING HOOK				1
68	40029398	PICKER SPRING				1

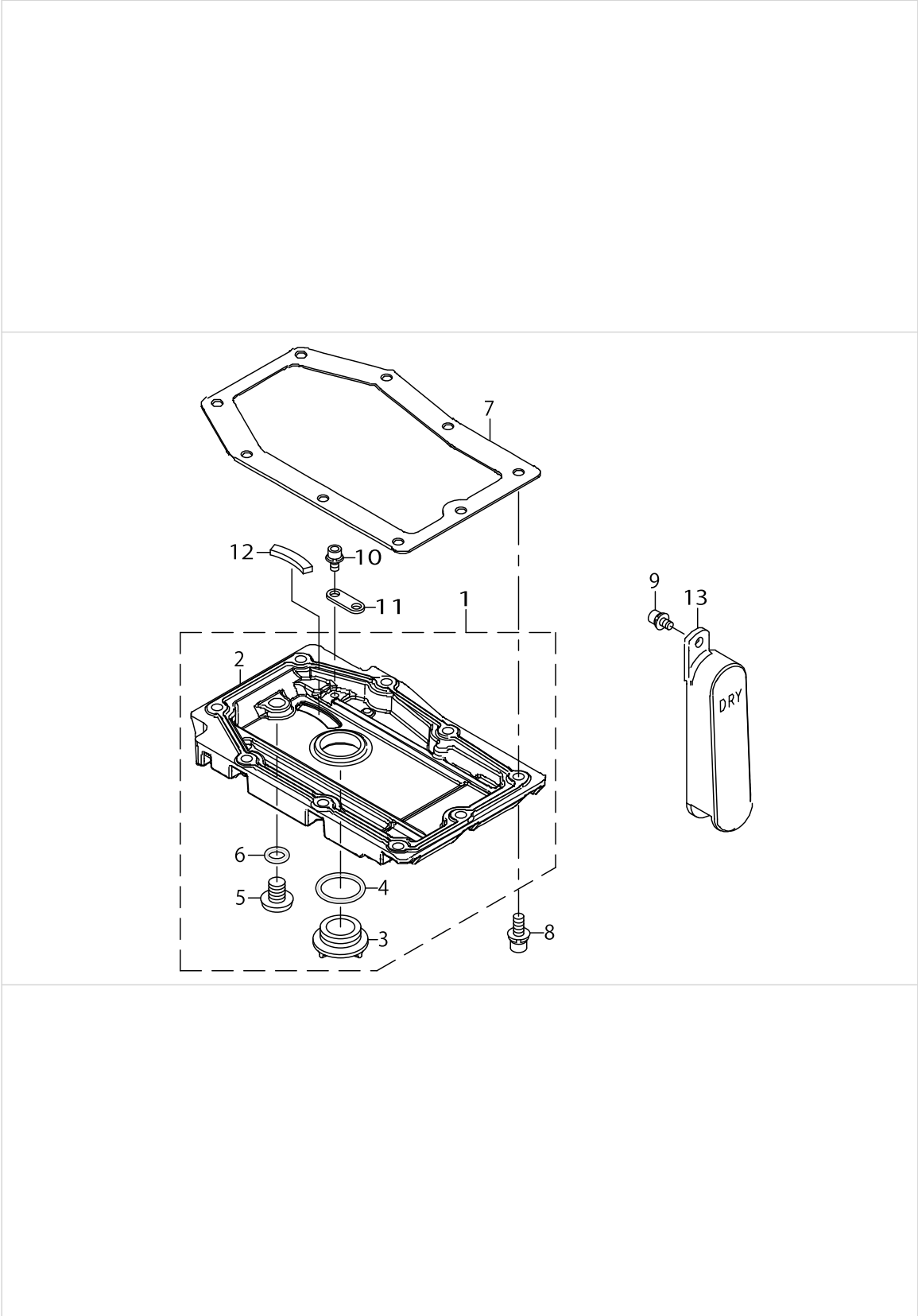
THREAD TRIMMER COMPONENTS (2)



THREAD TRIMMER COMPONENTS (2)

No.	Parts No.	Parts name	Remarks	Level	Cons	Qty
1	11419108	THREAD CUTTER CAM				1
2	11419405	SAFETY CAM				1
3	SS8660612TP	SCREW 1/4-40 L=6				4
4	40060786	CLUTCH				1
5	11419207	THREAD CUTTER DRIVING COLLAR				1
6	22950950	CAM COLLAR ASM.				1
7	SS8110520TP	SCREW 11/64-40 L= 4.5		*		1
8	RC2651218KP	RETAINING RING				1
9	11419603	THRUST COLLAR, B	SELECTIVE PARTS			1
10	11419504	THRUST COLLAR, A	SELECTIVE PARTS			1
11	11419702	THRUST COLLAR, C	SELECTIVE PARTS			1
12	11419801	THRUST COLLAR, D	SELECTIVE PARTS			1
13	11419900	THRUST COLLAR, E	SELECTIVE PARTS			1
14	40060794	SOLENOID ASM.				1
15	40060791	SOLENOID BASE		*		1
16	40056706	THREAD TRIMMER SOLENOID		*		1
17	11043304	SOLENOID RUBBER		*		1
18	NS6660410SH	NUT		*		1
19	NS6660430SP	NUT 1/4-40		*		1
20	NM6040000SN	NUT M4		*		2
21	WP0430800SC	WASHER M4		*		2
22	HK03464000B	PIN CONTACT		*		2
23	SL6061292TN	SCREW				2
24	23624554	DRIVING BLOCK ASM.				1
25	23624505	DRIVING BLOCK		*		1
26	SS6110710TP	SCREW 11/64-40 L= 6.5		*		1

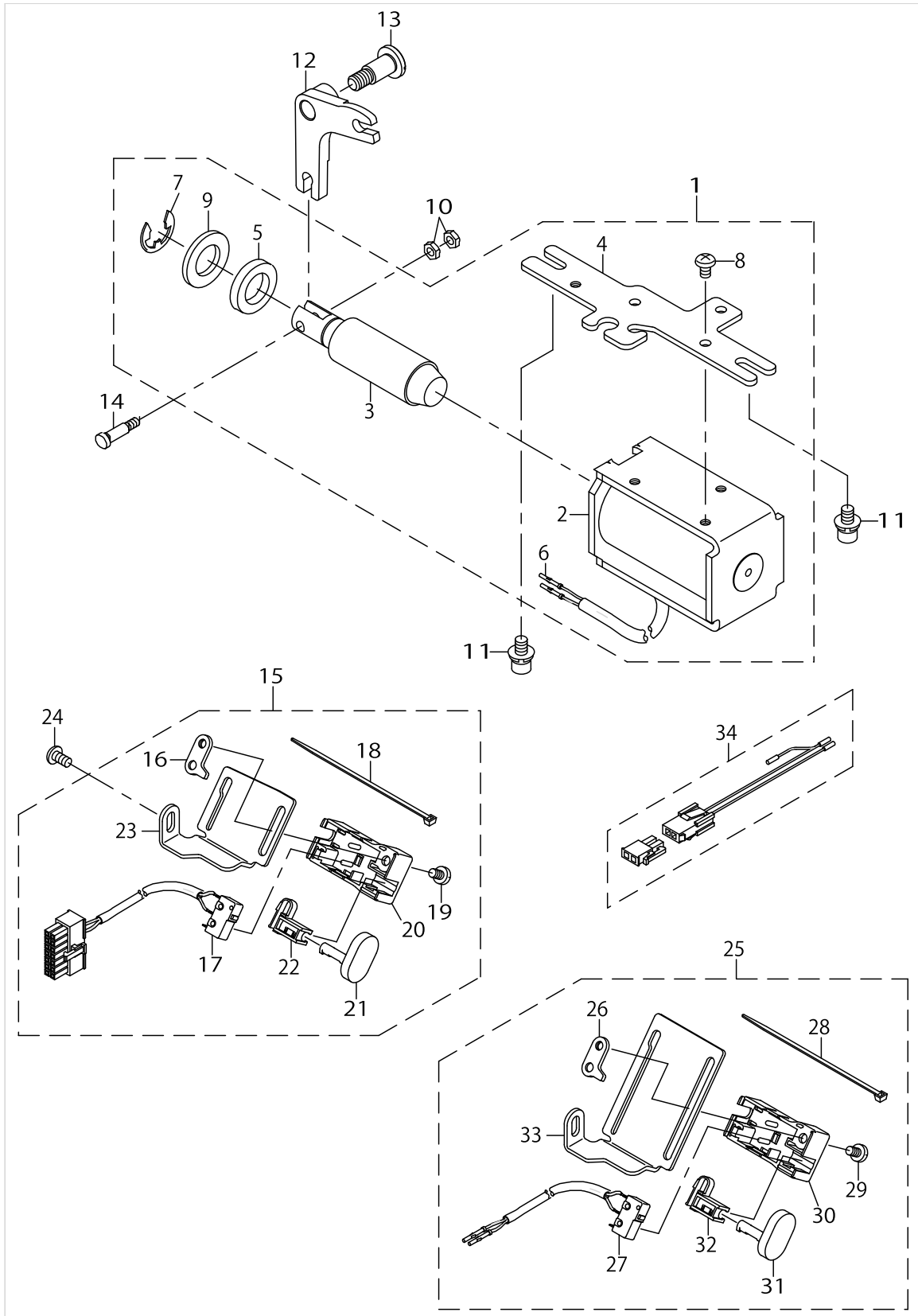
OIL LUBRICATION COMPONENTS



OIL LUBRICATION COMPONENTS

No.	Parts No.	Parts name	Remarks	Level	Cons	Qty
1	40037180	GEAR_BOX_COVER_ASM.				1
2	40026286	GEAR BOX COVER		*		1
3	40034246	OIL_SIGHT_WINDOW		*		1
4	RO195240100	RUBBER RING		*		1
5	13171004	DRAIN SCREW		*		1
6	13170105	RUBBER RING		*		1
7	40037166	GEAR BOX PACKING				1
8	SL6051492TN	BOLT				9
9	SL6040892TN	BOLT				1
10	SL6040892TN	BOLT				1
11	40024644	MAGNET WASHER				1
12	23604705	MAGNET BASE PM				1
13	40037146	FLOATER SIGHT WINDOW D				1

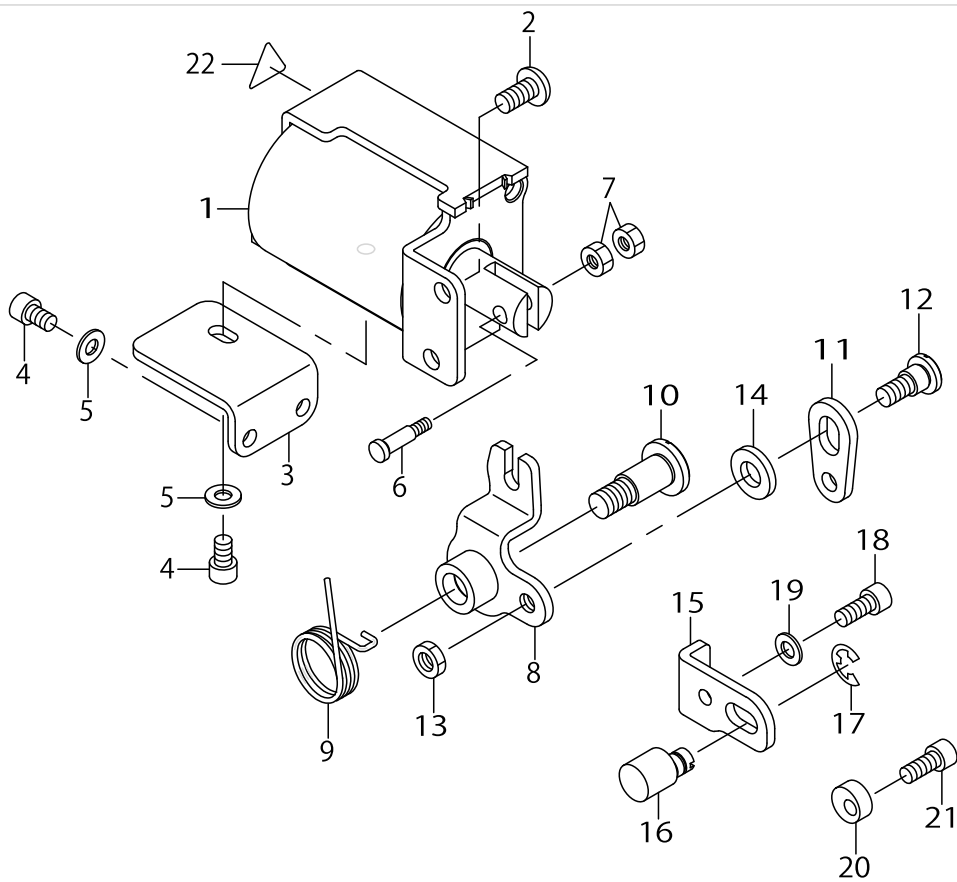
AUTOMATIC REVERSE FEED COMPONENTS



AUTOMATIC REVERSE FEED COMPONENTS

No.	Parts No.	Parts name	Remarks	Level	Cons	Qty
1	40040518	REVERSE FEED SOLENOID ASM.				1
2	40040519	REVERSE FEED SOLENOID		*		1
3	23631104	REVERSE FEED SOLENOID PLUNGER		*		1
4	40027156	REVERSE FEED SOLENOID BASE		*		1
5	D2468555B00	RUBBER PLUNGER		*		1
6	HK03464000B	PIN CONTACT		*		2
7	RE1200000K0	E-RING 12		*		1
8	SM4050855SP	SCREW		*		3
9	WP1703001SC	WASHER 17X30X3		*		1
10	NS6110350SP	NUT 11/64-40				2
11	SL6061292TN	SCREW				2
12	40026290	REVERSE FEED ARM				1
13	SD1001506TP	SHOULDER SCREW D=10 H=15				1
14	22962906	PLUNGER ARM PIN				1
15	23631757	REVERSE FEED SWITCH ASM.				1
16	23632102	REVERSE FEED SWITCH BASE GUIDE		*		1
17	23632359	REVERSE FEED CORD ASM.		*		1
18	EA9500B0100	CABLE BAND		*		1
19	SS7110740TP	SCREW 11/64-40 L=7		*		1
20	23631708	REVERSE FEED SWITCH COVER		*		1
21	23631807	REVERSE FEED SWITCH SHAFT		*		1
22	23631906	REVERSE FEED SWITCH SUPPORT		*		1
23	23632003	REVERSE FEED SWITCH BASE		*		1
24	SM4051055SP	SCREW				1
25	23632656	OPTION SWITCH ASM.	OPTIONAL PARTS			1
26	23632102	REVERSE FEED SWITCH BASE GUIDE		*		1
27	23632250	REVERSE FEED CORD ASM.		*		1
28	EA9500B0100	CABLE BAND		*		1
29	SS7110740TP	SCREW 11/64-40 L=7		*		1
30	23631708	REVERSE FEED SWITCH COVER		*		1
31	23631807	REVERSE FEED SWITCH SHAFT		*		1
32	23631906	REVERSE FEED SWITCH SUPPORT		*		1
33	23632607	OPTION SWITCH BASE		*		1
34	40050581	JOINT_CABLE_ASM				1

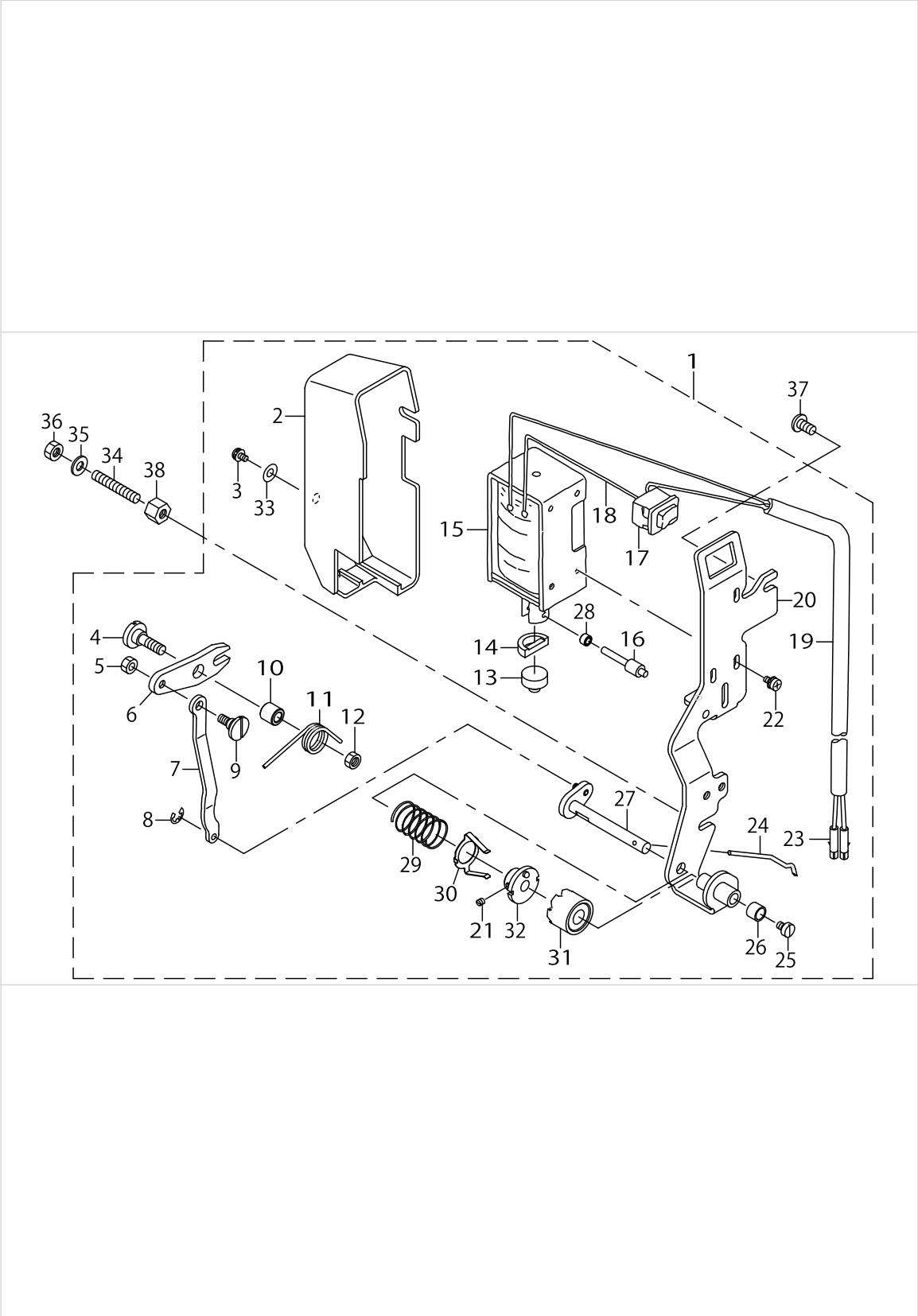
CONDENSE COMPONENTS



CONDENSE COMPONENTS

No.	Parts No.	Parts name	Remarks	Level	Cons	Qty
1	40060830	CONDENSE SOLENOID ASM.				1
2	SM4061255SP	SCREW M6 L=12				2
3	40060828	SOLENOID STAY				1
4	SM6050802TP	SCREW M5X0.8 L=8				3
5	WP0501016SD	WASHER 5X10.5X1				3
6	22962906	PLUNGER ARM PIN				1
7	NS6110420SP	NUT 11/64-40				2
8	40060825	CONDENSE ARM ASM.				1
9	40060818	CONDENSE ARM RETURN SPRING				1
10	SD1001506TP	SHOULDER SCREW D=10 H=15				1
11	40060822	CONDENSE CONNECT LINK				1
12	SD0790601SP	HINGE SCREW D=7.94 H=6				1
13	NS6150310SP	NUT 15/64-28				1
14	B185351200C	WASHER, C				1
15	40060834	CONDENSE STOPPER				1
16	40060833	CONDENSE PIVOT				1
17	RE0600000K0	E-RING 6				1
18	SM6051202TP	SCREW M5X0.8 L=12				1
19	WP0531000SD	WASHER M5				1
20	40061486	STOPPER COLLAR				1
21	SM6051202TP	SCREW M5X0.8 L=12				1
22	CM300300001	SEAL				1

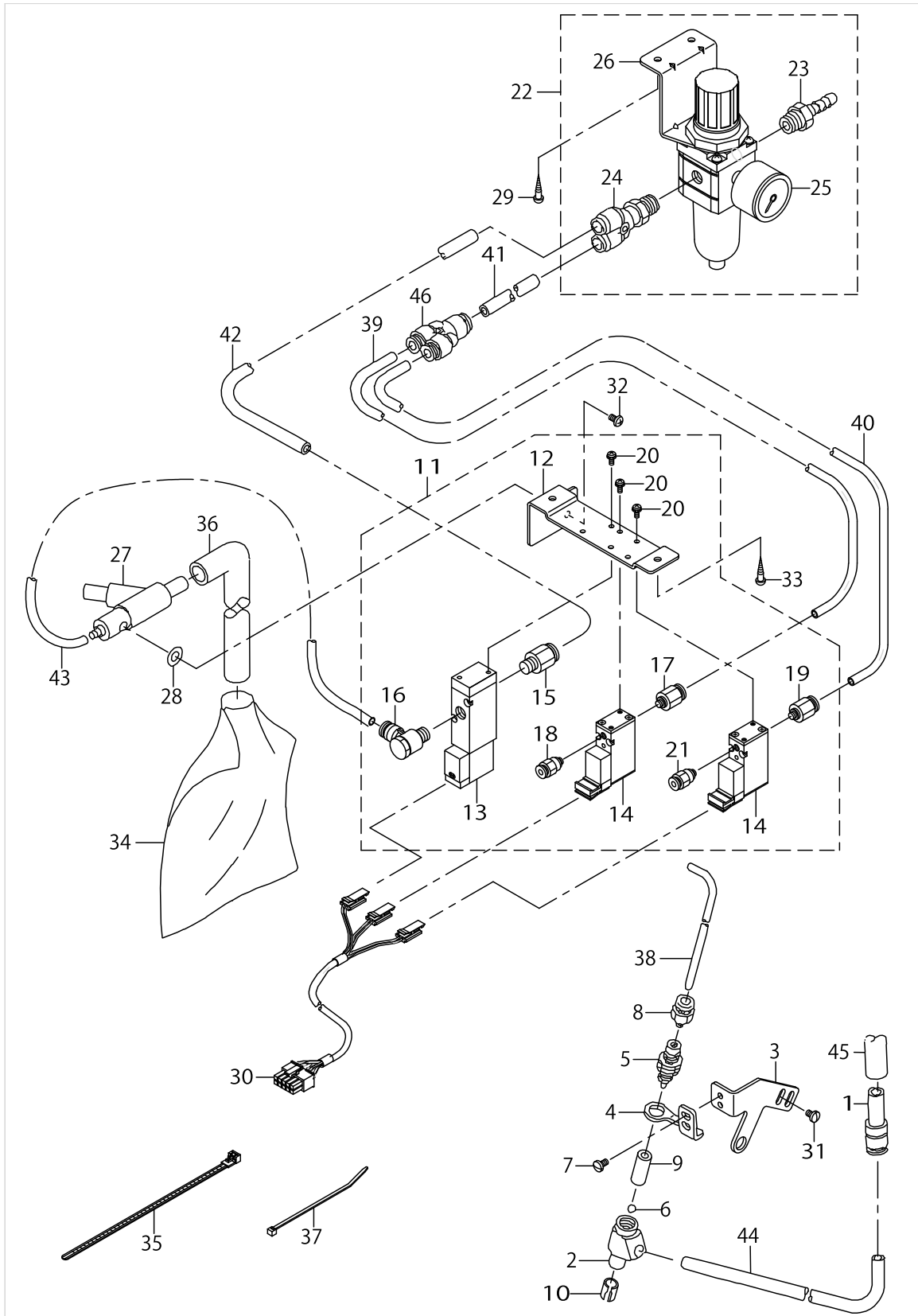
WIPER COMPONENTS



WIPER COMPONENTS

No.	Parts No.	Parts name	Remarks	Level	Cons	Qty
1	40067469	WIPER ASM				1
2	11425907	WIPER COVER		*		1
3	SL4030631SC	SCREW M3X6		*		1
4	SD0650321TP	HINGE SCREW D=6.5 H=3.2		*		1
5	NS6090310SP	NUT 9/64-40		*		1
6	22956106	WIPER LINK A		*		1
7	40060343	WIPER LINK B		*		1
8	RE0250000K0	E-RING 2.5		*		1
9	22956908	WIPER LINK B HINGE SCREW		*		1
10	22956205	WIPER HINGE SCREW COLLAR		*		1
11	22956304	WIPER SPRING		*		1
12	NS6110310SP	NUT 11/64-40		*		1
13	22955900	WIPER RUBBER A		*		1
14	22956007	WIPER RUBBER B		*		1
15	11110301	WIPER SOLENOID		*		1
16	22957104	WIPER SOLENOID SHAFT		*		1
17	HA006000000	SWITCH		*		1
18	HW200390000	ELECTRIC WIRE		*		0.04
19	HW500070000	2-CORE CABTYRE CORD		*		1.3
20	40060345	WIPER BASE ASM.		*		1
21	SS8080310TP	SCREW 1/8-44 L=2.8		*		2
22	SL4030641SE	SCREW		*		3
23	HK03464000B	PIN CONTACT		*		2
24	40046108	WIPER		*	☆	1
25	SS6090540SP	SCREW 9/64-40 L= 5.0		*		1
26	22956809	WIPER COLLAR		*		1
27	11424959	WIPER SHAFT ASM.		*		1
28	22957203	WIPER LINK COLLAR		*		1
29	11429107	SLIDE SPRING		*		1
30	11422706	STOPPER SPRING, B		*		1
31	11425659	RATCHET ASM.		*		1
32	11425451	FOLLOWER ASM.		*		1
33	WP0330501SB	WASHER M3		*		1
34	SM8053002TP	SCREW M5 L=30				1
35	WP0501016SD	WASHER 5X10.5X1				1
36	NM6050001SD	NUT M5X0.8				1
37	SM4051255SP	SCREW.,M5 L=12.				1
38	40060410	WIPER BASE SPACER				1

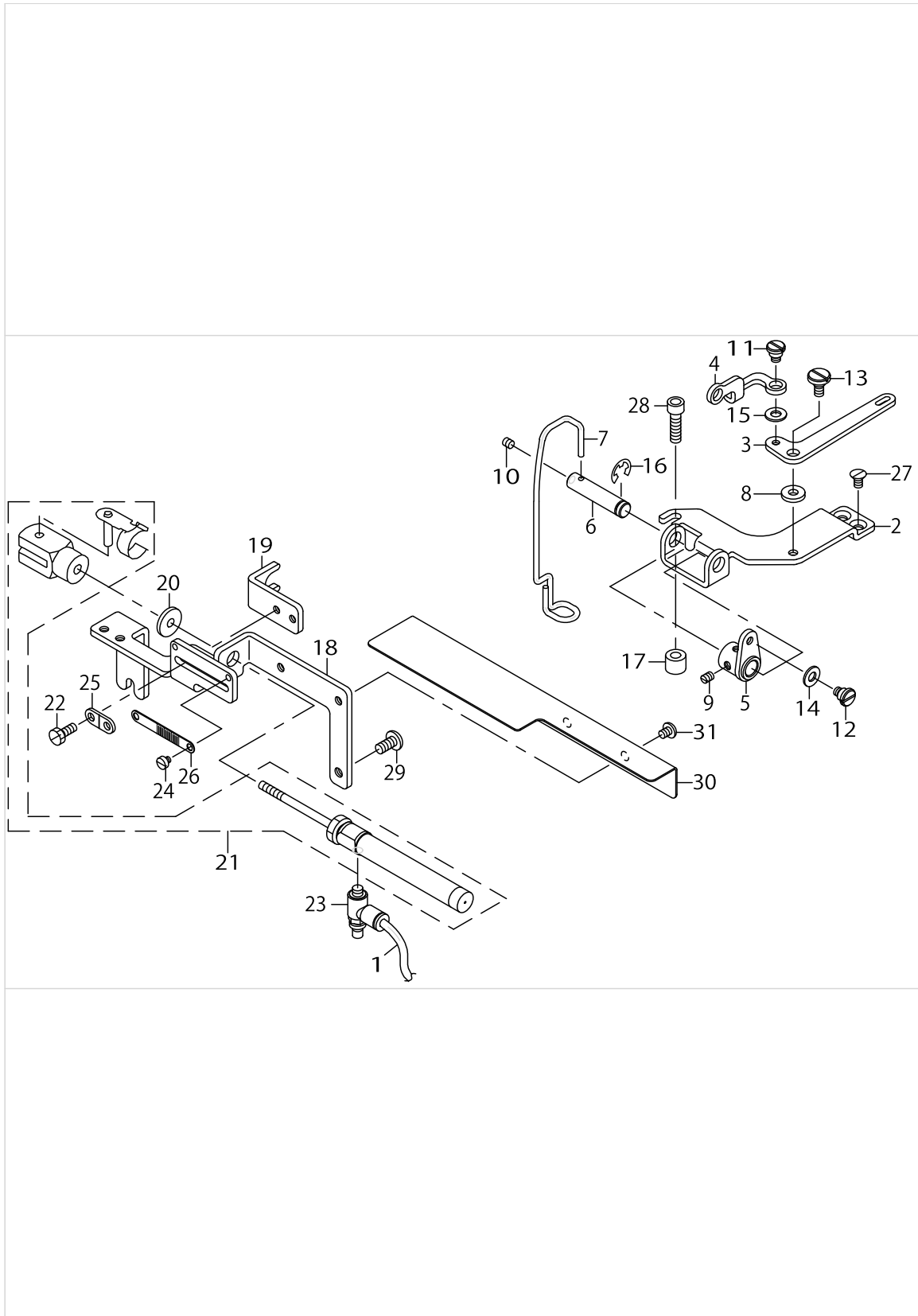
THREAD HOLDER & AIR COMPONENTS



THREAD HOLDER & AIR COMPONENTS

No.	Parts No.	Parts name	Remarks	Level	Cons	Qty
1	PJ301080001	REDUCER				1
2	11429305	CLAMP HEAD				1
3	40062167	CLAMP BASE				1
4	11429404	CLAMP BASE, B				1
5	11429008	CLAMP CYLINDER				1
6	11428505	CLAMP BALL				1
7	SS7110710SP	SCREW 11/64-40 L=7				2
8	PJ301040502	HALF UNION 4XM5				1
9	11427705	HEAD BUSH				1
10	11427309	HEAD COVER				1
11	11426368	SOLENOID VALVE ASM.				1
12	11426301	SOLENOID VALVE ADJUSTING BASE		*		1
13	PV135103000	3-PORT SOLENOID VALVE		*		1
14	PV130524000	3 PORT SOLENOID VALVE		*		2
15	PJ301085102	JOINTING		*		1
16	PJ304085103	SWING ELBOW		*		1
17	PJ301060501	UNION		*		1
18	PJ301040501	HALF UNION M5 D=4		*		1
19	PJ301060501	UNION		*		1
20	SL4030881SF	SCREW M3 L=8		*		6
21	PJ301040501	HALF UNION M5 D=4		*		1
22	11427960	AIR FILTER ASM.				1
23	PJ032526001	HOSE NIPPLE		*		1
24	PJ308085201	Y-UNION		*		1
25	40003560	REGULATOR ASM.		*		1
26	PF902005000	REGULATOR BRACKET		*		1
27	F10120030A0	NOZZLE ASM.				1
28	B1155771000	CUSHION				1
29	SK3412000SC	WOOD SCREW D=4.1 L=20				2
30	11496767	SORENOID VALVE CORD ASM.				1
31	SS7110510SP	SCREW 11/64-40 L=5				2
32	SS4110715SP	SCREW 11/64-40 L=7				1
33	SK3412000SC	WOOD SCREW D=4.1 L=20				2
34	11428802	DUST BAG				1
35	HX00292000A	CONNECTING PART				1
36	BT1601001Z0	TUBE				0.3
37	HX002330000	CLIP				4
38	BT0400251EB	URETHANE HOSE, BLACK				1.4
39	BT0600401EB	TUBE				0.2
40	BT0600401EB	TUBE				0.2
41	BT0800501EB	VINYL TUBE				0.1
42	BT0800501EB	VINYL TUBE				0.3
43	BT0600401EB	TUBE				0.1
44	BT0800501EB	VINYL TUBE				1.5
45	BT1601001Z0	TUBE				0.1
46	PJ308080001	UNION, Y				1

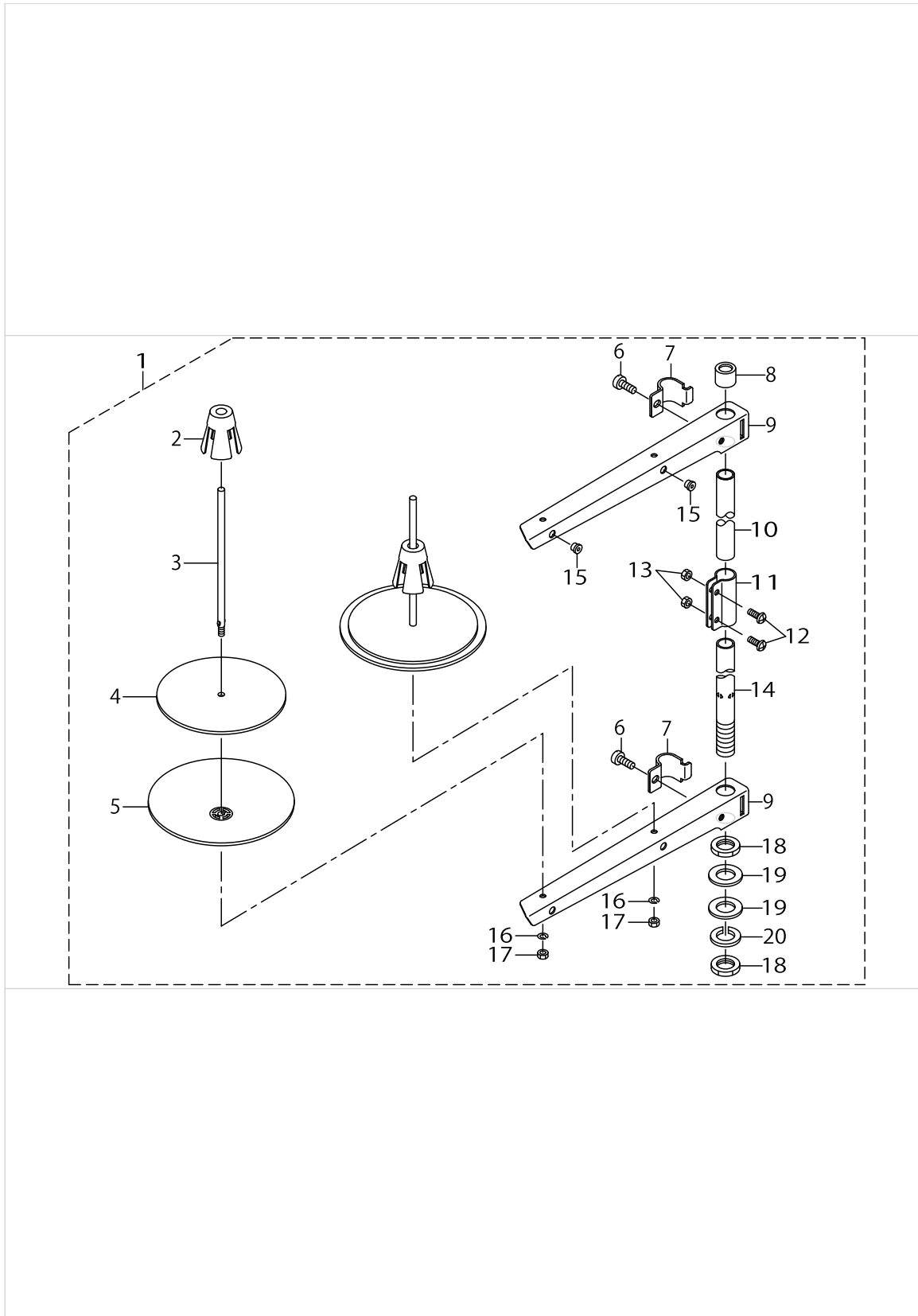
THREAD HAUL COMPONENTS



THREAD HAUL COMPONENTS

No.	Parts No.	Parts name	Remarks	Level	Cons	Qty
1	BT0400251EB	URETHANE HOSE, BLACK				1.2
2	11426608	THREAD HAUL BASE				1
3	11427101	THREAD HAUL CONNECTING LINK, A				1
4	11427200	THREAD HAUL CONNECTING LINK, B				1
5	11426855	THREAD HAUL LEVER ASM.				1
6	11426707	THREAD HAUL SHAFT				1
7	40060341	THREAD HAUL WIRE				1
8	WP0482086SD	WASHER 4.8X11.5X2				1
9	SS8110520TP	SCREW 11/64-40 L= 4.5				2
10	SS8110422TP	SCREW 11/64-40 L=4				1
11	SD0640321SP	HINGE SCREW D= 6.35 H= 3.2				1
12	SD0640321SP	HINGE SCREW D= 6.35 H= 3.2				1
13	SD0600291TP	HINGE SCREW D=6 H=2.9				1
14	WP0501016SA	WASHER 5X10.5X1				1
15	WP0501016SA	WASHER 5X10.5X1				1
16	RE0600000K0	E-RING 6				1
17	11315108	COLLAR				1
18	40060342	HAUL THREAD CYLINDER PLATE				1
19	11428307	HAUL THREAD STOPPER				1
20	B1620487000	FEED CONNECTING PIN WASHER				1
21	PA1003018B0	AIR CYLINDER (Y KNUCKLE)				1
22	SM9041050SC	SCREW M4X0.7 L=10				2
23	PC010507000	SPEED CONTROLLER				1
24	SS6080320SP	SCREW 1/8-44 L= 2.5				2
25	11428000	THREAD HAUL ADJUSTING PLATE				1
26	11427804	THREAD HAUL SCALE PLATE				1
27	SS1110710SP	SCREW 11/64-40 L=7				2
28	SM6051802TP	SCREW M5 L=18				1
29	SM4051055SP	SCREW				1
30	11427606	THREAD HAUL CYLINDER COVER				1
31	SS4110515SP	SCREW 11/64-40 L=5				2

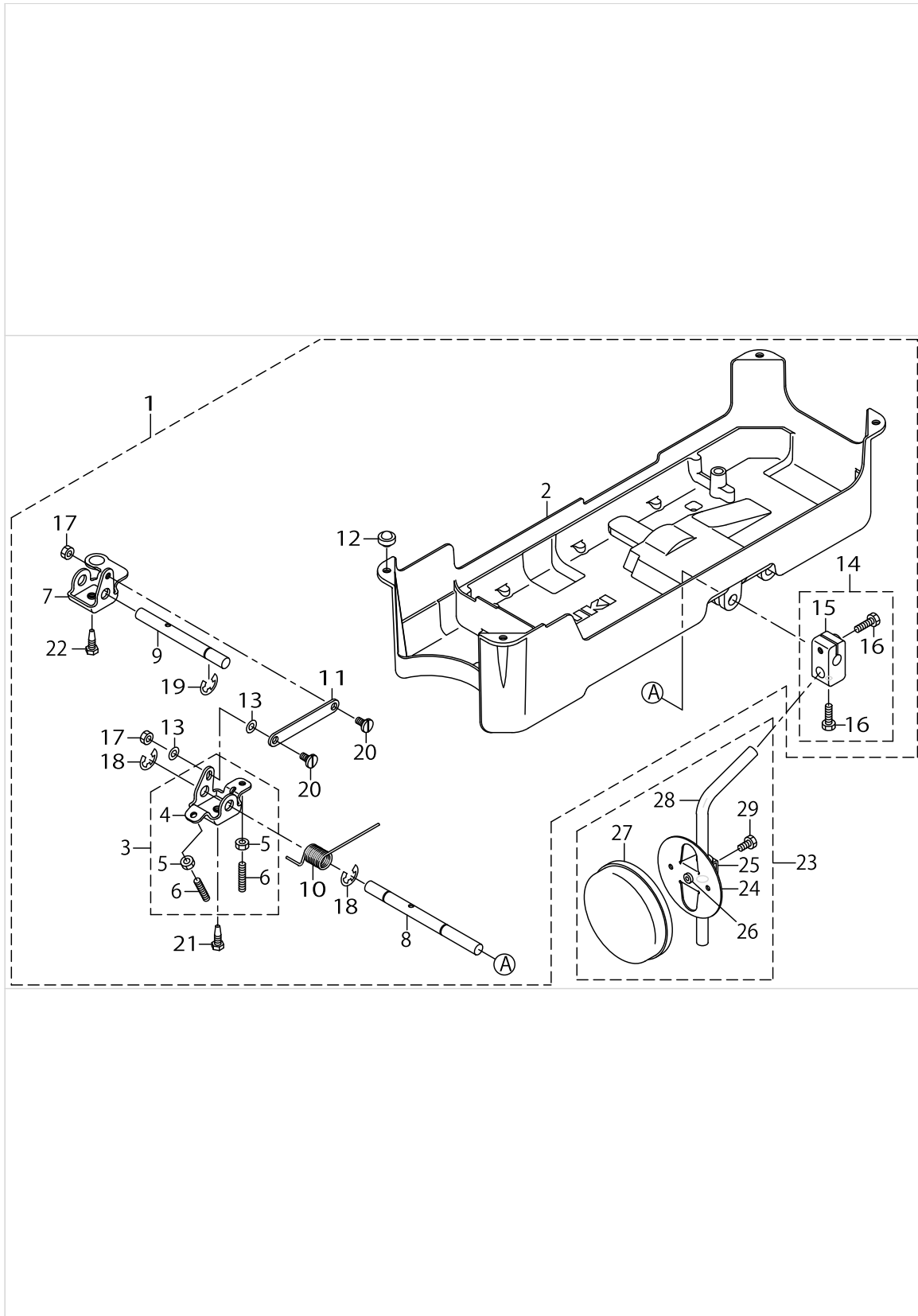
THREAD STAND COMPONENTS



THREAD STAND COMPONENTS

No.	Parts No.	Parts name	Remarks	Level	Cons	Qty
1	22930358	THREAD STAND ASM.				1
2	22931109	SPOOL RETAINER		*		2
3	22931000	SPOOL PIN		*		2
4	22930903	SPOOL REST CUSHION		*		2
5	22930804	SPOOL REST		*		2
6	SM6061610SC	SCREW M6 L=16		*		2
7	22930705	THREAD GUIDE ARM JOINT		*		2
8	22931406	SPOOL REST ROD RUBBER CAP		*		1
9	22930507	SPOOL REST ARM		*		2
10	22930408	SPOOL REST ROD, UPPER		*		1
11	22931307	SPOOL REST ROD JOINT		*		1
12	SM4051405SE	SCREW M5 L=14		*		2
13	NM6050001SE	NUT M5		*		2
14	22930309	SPOOL REST ROD, LOWER		*		1
15	22931208	THREAD GUIDE		*		2
16	WS0510002KN	SPRING WASHER		*		2
17	NM6050001SE	NUT M5		*		2
18	NM6160511SE	NUT M16X1.5		*		2
19	WP1612616SE	WASHER 16X30X2.6		*		2
20	WS1643202KR	SPRING WASHER		*		1

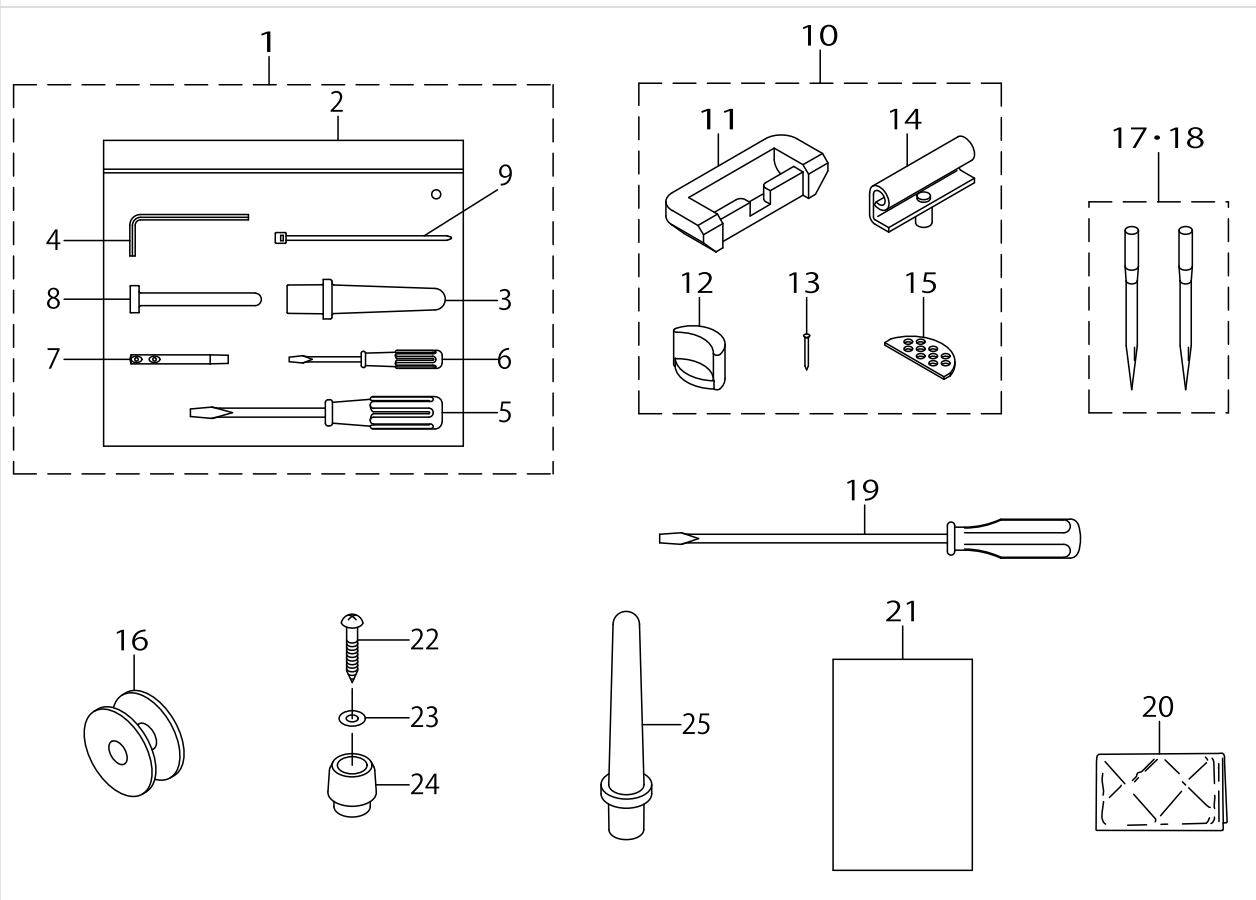
UNDER COVER COMPONENTS



UNDER COVER COMPONENTS

No.	Parts No.	Parts name	Remarks	Level	Cons	Qty
1	40062321	UNDER COVER ASM.				1
2	23639008	UNDER COVER		*		1
3	23639156	BRACKET ASM.		*		1
4	23639107	BRACKET		*		1
5	NM6060001SE	NUT M6		*		2
6	SM8063012TR	SCREW M6 L=30		*		2
7	23639206	CONNECTING ROT		*		1
8	23639305	KNEE PRESS ROD		*		1
9	23639404	SHAFT		*		1
10	23639503	SPRING		*		1
11	23639602	CONNECTING ROD		*		1
12	B1116210D00	FRAME SUPPORT RUBBER		*		4
13	WP0650876SD	WASHER 6.5X13X0.8		*		2
14	22932453	BRACKET ASM.		*		1
15	22932404	BRACKET		*		1
16	SM9062053SR	SCREW M6 L=20		*		2
17	NS6150310SP	NUT 15/64-28		*		2
18	RE1000000K0	E-RING 10		*		2
19	RE1000000K0	E-RING 10		*		1
20	SD0720331SP	HINGE SCREW D= 7.24 H= 3.3		*		2
21	SM9061853SR	SCREW M6 L=17.5		*		1
22	SM9061853SR	SCREW M6 L=17.5		*		1
23	22934251	KNEE PAD PLATE ASM.				1
24	22934202	KNEE PAD PLATE		*		1
25	22934301	KNEE PAD PLATE SUPPORT		*		1
26	22934400	KNEE PAD PLATE RUBBER		*		1
27	22934509	KNEE PAD PLATE COVER		*		1
28	22934608	KNEE PAD UPRIGHT SHAFT		*		1
29	SM9061203SE	SCREW M6 L=12		*		1

ACCESSORIE PART COMPONENTS



ACCESSORIE PART COMPONENTS

No.	Parts No.	Parts name	Remarks	Level	Cons	Qty
1	40037484	ACCESSORIE BAG ASM.				1
2	22932800	ACCESSORIE BAG		*		1
3	22931604	FRAME SUPPORT BAR		*		1
4	40055591	HEXAGONAL WRENCH KYE		*		1
5	22933105	SCREW DRIVER,MIDDLE		*		1
6	22933204	SCREW DRIVER,SMALL		*		1
7	22958300	NEEDLE THREAD GUIDE PIN		*		1
8	23639701	KNEE LIFTER PRESSER ROD		*		1
9	HX000430000	CLIP		*		1
10	22958052	RUBBER HINGE ASM.				1
11	22926000	RUBBER CUSHION		*		2
12	22958003	FRAME BUBBER CUSHION		*		2
13	22926208	NAIL		*		8
14	22926356	HINGE COMPL.		*		2
15	22926505	WASHER		*		2
16	B9117552A00	BOBBIN			☆	1
17	MDB100B1100	NEEDLE DBX1 #11	VARIOUS NOS.FOR DESTINATIONS		☆	1
18	MC200500750	NEEDLE 134 NM75	VARIOUS NOS.FOR DESTINATIONS		☆	1
19	22933006	SCREW DRIVER,LARGE				1
20	22933303	VINYL COVER				1
21	40064984	DDL-9000A SETUP DOCUMENT				1
22	SK3513201SE	WOOD SCREW D=5.1 L=32	FOR AK			1
23	WP0550836SC	WASHER 5.5X12X0.8	FOR AK			1
24	40062179	FRAME SUPPORT BAR	FOR AK			1
25	B8216271000	FRAME SUPPORT BAR				1

TABLE & STAND COMPONENTS

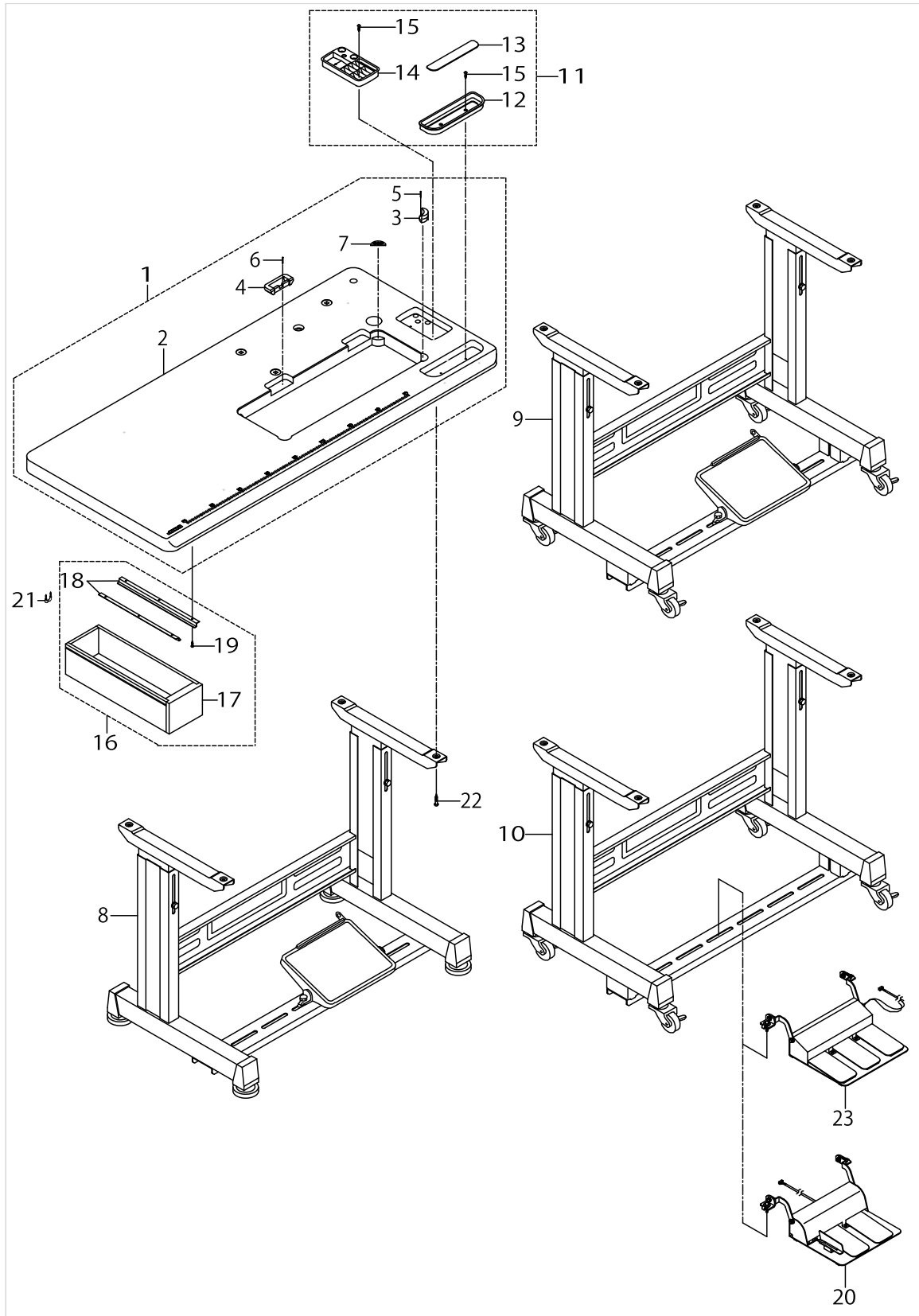
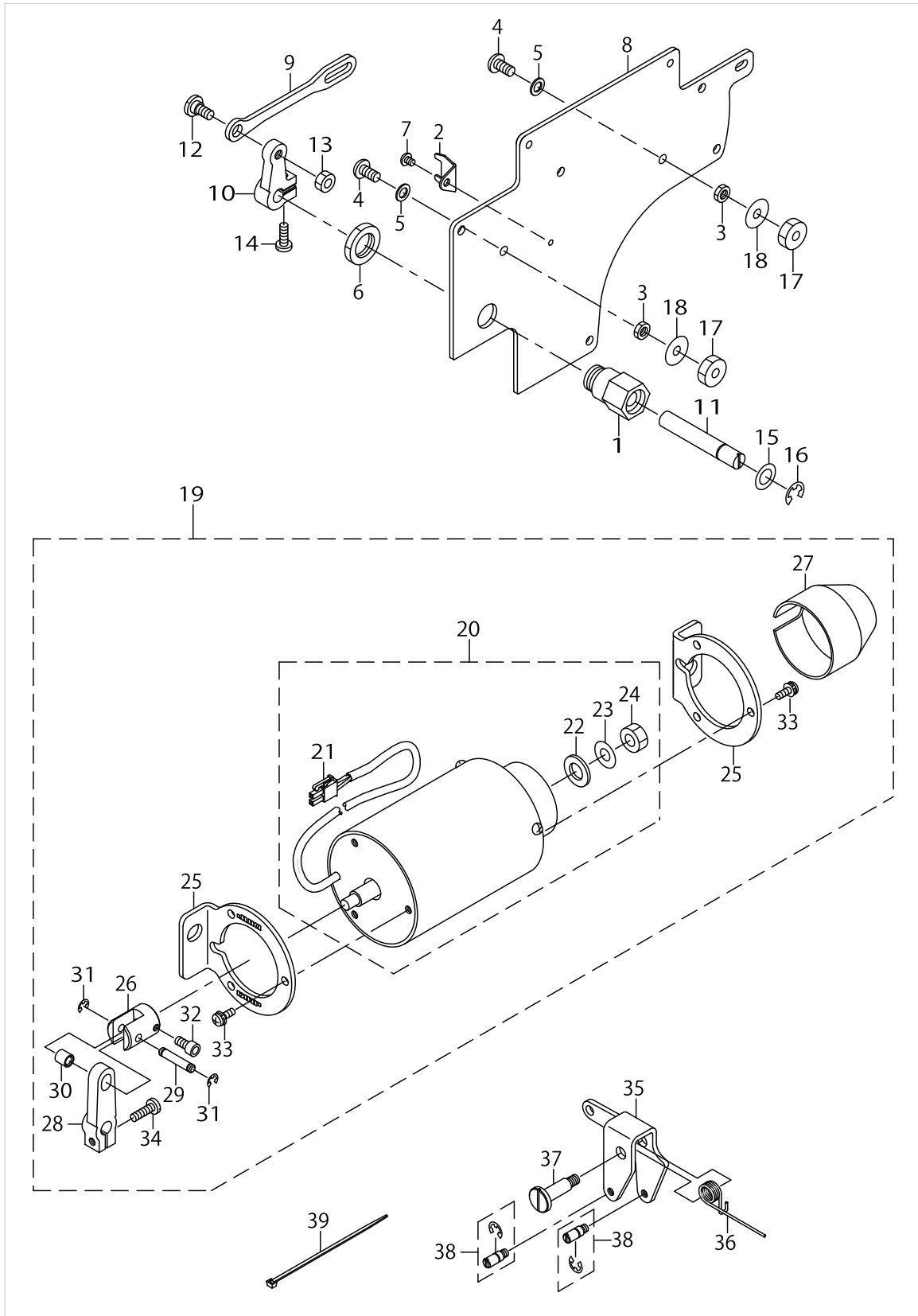


TABLE & STAND COMPONENTS

No.	Parts No.	Parts name	Remarks	Level	Cons	Qty
1	23642259	TABLE ASM.				1
2	23642200	TABLE		*		1
3	11075900	RUBBER SPACER		*		2
4	11075801	RUBBER SPACER		*		2
5	B8210012000	CUSHION SET NAIL		*		4
6	B8210012000	CUSHION SET NAIL		*		4
7	D8226555E00	FRAME RUBBER CUSHION A		*		2
8	11157567	T LEG JUNCTION	FOR JT-D950			1
9	11159365	T STAND JUNCTION	FOR JT-D952			1
10	11159357	T-STAND ASM.	FOR JT-D95J,JT-D95K			1
11	11155769	SMALL CASTINGS BOX B ASM.				1
12	11156007	CASE		*		1
13	11155801	CASE MAGNET		*		1
14	11155751	CASE ASM. B		*		1
15	SK3382001SC	WOOD SCREW D=3.8 L=20		*		4
16	11155157	DRAWER ASM.				1
17	11155108	DRAWER		*		1
18	11155207	DRAWER SUPPORT		*		2
19	SK3311600SE	WOOD SCREW D=3.1 L=16		*		6
20	GPK710010A0	2-PEDAL ASM., 71	FOR JT-D95J,JT-D95K			1
21	D8204555D00	DRAWER STOPPER				1
22	SK3513200SC	WOOD SCREW D=5.1 L=32				4
23	GPK700010A0	3-JOINT PEDAL, 70	FOR JT-D95J,JT-D95K			1

AUTOMATIC HAND LIFTER COMPONENTS



AUTOMATIC HAND LIFTER COMPONENTS

No.	Parts No.	Parts name	Remarks	Level	Cons	Qty
1	22991103	SOLENOID BUSHING				1
2	22991202	SOLENOID LINK				1
3	NS6150310SP	NUT 15/64-28				2
4	SS4151215SP	SCREW 15/64-28 L=12				2
5	WP0651056SD	WASHER 6.5X11X1				2
6	NM6160511SE	NUT M16X1.5				1
7	SS4110515SP	SCREW 11/64-40 L=5				1
8	40060812	SIDE PLATE (AK)				1
9	GAKA1826000	SOLENOID LINK				1
10	GAK33027000	SOLENOID ARM				1
11	22991400	SOLENOID SHAFT				1
12	SD0800352SP	HINGE SCREW D= 8 H= 3.5				1
13	NS6150310SP	NUT 15/64-28				1
14	SS7121410SP	SCREW 3/16-28 L=14				1
15	WP1021016SD	WASHER				1
16	RE0700000K0	E-RING 7				1
17	NS6150440SP	NUT 15/64-28				2
18	WP0621036SP	WASHER				2
19	GAK840300BA	AK" SOLENOID ASM. B				1
20	GAK840300AA	AK" SOLENOID ASM. A		*		1
21	HK034610020	2-POLE NYLON PLUG		*		1
22	GAK33031000	SOLENOID RUBBER, A		*		1
23	WP0851846SC	WASHER 8.5X22.0X1.8		*		1
24	NM6080600SM	NUT M8		*		1
25	GAKA1834000	SOLENOID BASE		*		2
26	GAK33035000	SOLENOID COLLAR		*		1
27	GAK3303600A	SOLENOID COVER		*		1
28	GAK33011000	SOLENOID ARM, A		*		1
29	GAK33012000	SOLENOID PIN		*		1
30	GAK33013000	SOLENOID PIN COLLAR		*		1
31	RE0400000KP	E-RING 4		*		2
32	SM6051002TP	SCREW M5X0.8 L=10		*		1
33	SS4120915SP	SCREW 3/16-28 L=9		*		6
34	SS7121610SP	SCREW 3/16-28 L=15.5		*		1
35	GAKA1841000	KNEE LIFTER LINK				1
36	GAKA1842000	KNEE LIFTER LINK SPRING				1
37	SD0802126TP	SHOULDER SCREW D=8 H=21.2				1
38	GAK330400A0	SHAFT PIN ASM.				2
39	HX000430000	CLIP				1

LIST FOR INFORMATION OF CHANGE

As to the place changed, refer to the corresponding Rev.No.
 When previous parts(Obsoleted part)and new parts(Added parts)are not interchangeable with each other:
 In this case,even obsoleted parts(D.)can be ordered with the obsoleted part number,so select the parts with changed dates and place your orders.

変更箇所は,該当Rev.No.版をご参照ください。
 部品の互換性がない変更の場合は,削除された品番でも,ご注文できます。

40067750
 No.1498-01 Rev.No.

*A:Added parts追加部品/D:Obsoleted parts削除部品/E:Erratum訂正

* Rev. No.	Page 頁	Ref. No.	Parts No. 品番	* Rev. No.	Page 頁	Ref. No.	Parts No. 品番
D 00	2	9	SL-6051492-TN	A 01	2	9	SM-4050855-SP
D 00	8	26	114-34065	A 01	8	26	400-70134
D 00	8	27	D1421-555-B00	A 01	8	27	400-70074
D 00	10	20	400-61204	A 01	10	20	400-37017
D 00	10	32	CS-111101E-SH	A 01	10	32	CS-111101C-SH
D 00	10	33	SS-8660330-SP	A 01	10	33	SS-6660710-TP
D 00	10	74	SM-5040601-SC	A 01	10	74	SL-4040805-SC
D 00	12	75	400-32052	A 01	12	75	400-68998
				A 01	20	33	WP-0330501-SB
D 00	22	35	HX-0059700-00	A 01	22	35	HX-0029200-0A
D 00	23	29	SM-4050855-SP	A 01	23	29	SM-4051055-SP
				A 01	30	-	ALL PARTS - 全部品

HOW TO MAKE USE OF THIS PARTS LIST

1.Explanation of codes

1)"*"mark.....means this part is changed from the previous parts book.

As to the details of the change, refer to the "List for information of change".

2)"#01".....refer to "Note" explanation at bottom of page.

2.Codes on the "Qty" column

- Each numeral indicates the number of parts required.
- "0.1" and "2.5" indicate the length (in meters) of the respective parts.

3.Parentheses mean that the corresponding part is a subpart that constructs an assembly part.

4.Dotted lines on the Figures indicate assembly parts.

5.As to the parts with marks of "☆"(consumable parts) and "◎"(optional parts)on the respective parts, it is recommended to prepare spares.

1 ."注記"欄の記号説明

1) "*"印.....前回のパーツブックに比較して今回変更された部品を意味します。

変更内容は、"変更情報リスト"を参照してください。

2) "#01".....ページ下の"注記"の説明を参照してください。

2.数量欄の数字は、個数を表し、0.1、2.5等の数値は、長さ（単位メートル）を表します。

3.数量欄の（ ）は、組部品を構成している子部品であることを意味します。

4.イラストページの-----枠は、組構成であることを意味します。

5.リストページの"☆"（消耗部品）、"◎"（オプション部品）の印がついた部品は、予備を準備しておくことをお奨めします。

NUMERICAL INDEX OF PARTS

PART NO	PAGE	REF NO.	PART NO	PAGE	REF NO.	PART NO	PAGE	REF NO.
11028008	4	85·86	11426707	40	6	22907406	12	15
11043304	28	17	11426855	40	5	22907802	12	22
11072204	6	25	11427101	40	3	22908008	12	8
11075801	48	4	11427200	40	4	22908552	12	24
11075900	48	3	11427309	38	10	22908909	14	55
11110301	36	15	11427606	40	30	22911002	20	13
11155108	48	17	11427705	38	9	22911101	20	6
11155157	48	16	11427804	40	26	22912000	18	58
11155207	48	18	11427960	38	22	22912109	18	57
11155751	48	14	11428000	40	25	22920300	12	40
11155769	48	11	11428307	40	19	22920409	12	41
11155801	48	13	11428505	38	6	22920607	4	60
11156007	48	12	11428802	38	34	22926000	46	11
11157567	48	8	11429008	38	5	22926208	46	13
11159357	48	10	11429107	36	29	22926356	46	14
11159365	48	9	11429305	38	2	22926505	46	15
11315108	40	17	11429404	38	4	22930309	42	14
11353505	26	51	11434206	12	29	22930358	42	1
11419108	28	1	11434313	12	28	22930408	42	10
11419207	28	5	11496767	38	30	22930507	42	9
11419405	28	2	11497104	24	5·8	22930705	42	7
11419504	28	10	11497302	24	3·10	22930804	42	5
11419603	28	9	13170105	30	6	22930903	42	4
11419702	28	11	13171004	30	5	22931000	42	3
11419801	28	12	22886907	8	27·28	22931109	42	2
11419900	28	13	22887004	8	27·28	22931208	42	15
11420106	24	7	22888002	22	61	22931307	42	11
11420205	24	3·10	22890008	22	73	22931406	42	8
11420502	24	5·8	22890206	22	68~70	22931604	46	3
11420601	24	6	22890305	22	68~70	22932404	44	15
11420700	24	19	22890404	22	68~70	22932453	44	14
11420809	24	22	22891204	8	40	22932800	46	2
11421104	24	30	22896252	22	67	22933006	46	19
11421203	24	31	22901201	2	14·15	22933105	46	5
11421401	24	25	22901250	2	12·13	22933204	46	6
11421500	24	20	22901300	2	16·17	22933303	46	20
11421708	24	39	22901805	4	81	22934202	44	24
11422706	36	30	22902506	2	30	22934251	44	23
11424959	36	27	22902704	2	14·15	22934301	44	25
11425451	36	32	22902753	2	12·13	22934400	44	26
11425659	36	31	22904106	20	23	22934509	44	27
11425907	36	2	22904155	20	22	22934608	44	28
11426301	38	12	22906309	8	47	22944508	2	21
11426368	38	11	22906408	8	30	22944508	12	34
11426608	40	2	22906457	8	29	22945414	4	62

NUMERICAL INDEX OF PARTS

PART NO	PAGE	REF NO.	PART NO	PAGE	REF NO.	PART NO	PAGE	REF NO.
22945463	4	61	23610306	12	17	23632359	32	17
22945505	4	64	23610504	14	48	23632607	32	33
22945604	4	63	23610652	14	49	23632656	32	25
22945703	4	65	23610702	14	51	23638109	4	73
22945802	4	66	23611106	12	47	23638208	4	74
22950000	24	15	23612104	16	5	23638307	4	75
22950950	28	6	23612609	16	38	23638406	4	76
22952501	18	50	23612716	16	40	23638554	4	77
22955900	36	13	23612807	16	11	23639008	44	2
22956007	36	14	23613508	16	30	23639107	44	4
22956106	36	6	23613805	18	64	23639156	44	3
22956205	36	10	23613904	16	24	23639206	44	7
22956304	36	11	23614506	20	25-26	23639305	44	8
22956809	36	26	23616006	20	2	23639404	44	9
22956908	36	9	23616204	20	20	23639503	44	10
22957104	36	16	23616600	20	33	23639602	44	11
22957203	36	28	23618101	20	47	23639701	46	8
22958003	46	12	23618309	22	52	23640006	4	10-47
22958052	46	10	23618705	22	78	23642200	48	2
22958300	46	7	23618804	22	79	23642259	48	1
22962906	32	14	23620008	22	56	26226209	16	27
22962906	34	6	23620354	20	34	26260109	6	2
22991103	50	1	23620404	22	74	26260208	6	3
22991202	50	2	23620503	22	54	26260307	6	4
22991400	50	11	23620701	22	62~65	26260406	6	5
23533904	18	54	23620800	22	62~65	26260505	6	6
23534506	18	59	23620909	22	62~65	26260604	6	7
23600406	2	3	23621006	22	62~65	26260802	6	8
23600505	2	4	23624505	28	25	26261008	6	9
23600703	2	6	23624554	28	24	26261206	6	10
23601305	4	84	23626005	4	50	26261305	6	11
23604010	8	1	23626104	4	69	26261503	6	12
23604705	30	12	23626203	8	33	26261602	6	13
23605207	8	10	23626351	12	42	26261701	6	14
23605256	8	7	23626807	12	43	40000391	20	37
23607302	8	24	23629900	4	82	40000392	20	38
23608003	8	25	23630007	16	29	40003560	38	25
23609001	12	1	23631104	32	3	40004171	8	4
23609308	12	12	23631708	32	30	40010434	8	46
23609357	12	5	23631757	32	15	40011144	6	15
23609456	12	6	23631807	32	31	40012032	16	6
23609605	12	7	23631906	32	32	40014837	6	16
23609704	12	14	23632003	32	23	40020454	8	18
23609803	12	13	23632102	32	26	40020455	8	19
23610207	12	16	23632250	32	27	40022407	2	11

NUMERICAL INDEX OF PARTS

PART NO	PAGE	REF NO.	PART NO	PAGE	REF NO.	PART NO	PAGE	REF NO.
40023021	6	1	40037192	20	1	40060342	40	18
40023022	6	17	40037359	12	18	40060343	36	7
40023289	18	67	40037365	20	4	40060345	36	20
40024644	30	11	40037370	8	37	40060410	36	38
40024843	4	49	40037484	46	1	40060448	20	32
40024845	4	57	40037488	2	10-47	40060511	20	45
40025729	8	3	40039078	12	3	40060782	24	1-2
40026272	16	2	40039708	12	38	40060783	24	4-9
40026274	16	16	40039946	8	22	40060786	28	4
40026277	20	5	40040202	6	24	40060787	24	27
40026278	20	31	40040203	6	26	40060789	24	37
40026281	20	16	40040264	12	2	40060791	28	15
40026282	20	36	40040370	16	8	40060793	24	23
40026286	30	2	40040499	16	36	40060794	28	14
40026287	20	41	40040518	32	1	40060795	26	59
40026288	20	43	40040519	32	2	40060796	26	50
40026290	32	12	40041161	2	2	40060799	24	29
40027156	32	4	40042079	20	10	40060800	24	18
40028112	16	31	40044857	8	9	40060801	26	63
40029398	26	68	40046108	36	24	40060802	26	60
40030786	22	51	40050219	16	47	40060804	22	57
40030790	20	44	40050220	18	48	40060807	16	22
40031608	22	71	40050221	16	44	40060809	16	21
40033393	16	3	40050265	10	48	40060812	50	8
40034246	30	3	40050581	32	34	40060813	18	75
40035589	2	37	40050582	12	39	40060814	4	87
40035855	8	38	40050583	12	21	40060815	2	34
40036343	16	35	40050584	18	61	40060817	16	26
40036344	16	34	40051473	8	12	40060818	34	9
40036347	8	26	40051474	8	13	40060821	18	69
40036706	12	32	40052933	2	45	40060822	34	11
40036997	24	12	40053172	18	55	40060823	16	28
40037002	4	71	40053340	16	42	40060825	34	8
40037003	8	2	40053450	16	43	40060828	34	3
40037005	20	15	40053465	16	13	40060830	34	1
40037008	6	30	40053720	20	40	40060832	26	62
40037017	16	20	40055569	18	53	40060833	34	16
40037018	4	72	40055585	16	39	40060834	34	15
40037141	12	19	40055591	46	4	40060865	22	77
40037144	12	20	40056502	16	12	40060868	20	14
40037146	30	13	40056622	12	46	40060869	16	19
40037166	30	7	40056706	28	16	40061012	16	23
40037180	30	1	40056721	16	45	40061246	20	8
40037188	16	1	40058504	20	9	40061486	34	20
40037191	16	15	40060341	40	7	40061560	18	65

NUMERICAL INDEX OF PARTS

PART NO	PAGE	REF NO.	PART NO	PAGE	REF NO.	PART NO	PAGE	REF NO.
40061562	2	8	B8216271000	46	25	HW200390000	36	18
40062104	2	33	B9117552A00	22	72	HW500070000	36	19
40062167	38	3	B9117552A00	46	16	HX000430000	46	9
40062168	26	67	BT0400251EB	38	38	HX000430000	50	39
40062179	46	24	BT0400251EB	40	1	HX002330000	38	37
40062180	24	35	BT0600401EB	38	43	HX00292000A	38	35
40062316	18	73	BT0800501EB	38	44	MC200500750	8	34·35
40062321	44	1	BT1601001Z0	38	45	MC200500750	46	17·18
40062371	8	15	CM300200001	2	23	MDB100B1100	8	34·35
40062372	8	16	CM300200003	2	25	MDB100B1100	46	17·18
40062651	18	52	CM300300001	34	22	NM6040000SN	28	20
40064984	46	21	CM301300001	2	29	NM6050001SD	24	32
40066590	24	11	CM600100101	4	48	NM6050001SD	36	36
40066591	24	14	CS111101CSH	16	32	NM6050001SE	42	17
40066592	24	38	CS1200981TP	22	58	NM6060001SE	44	5
40066602	26	54	D2422530D00	24	44	NM6060003SE	12	31
40067252	2	1	D2468555B00	32	5	NM6080600SM	50	24
40067412	24	1·2	D5119206K0K	14	50	NM6160511SE	42	18
40067413	24	4·9	D8204555D00	48	21	NM6160511SE	50	6
40067469	36	1	D8226555E00	48	7	NS6090310SP	36	5
40068998	22	75	EA9500B0100	4	78	NS6110310SP	18	68
40070074	12	27	EA9500B0100	10	50	NS6110310SP	24	45
40070134	12	26	EA9500B0100	32	28	NS6110310SP	36	12
B1109012I0B	4	85·86	F10120030A0	38	27	NS6110350SP	32	10
B1116210D00	44	12	GAK33011000	50	28	NS6110420SP	34	7
B1155771000	38	28	GAK33012000	50	29	NS6150310SP	24	17
B1414555000	8	32	GAK33013000	50	30	NS6150310SP	34	13
B1521555000	12	23	GAK33027000	50	10	NS6150310SP	44	17
B1613012I00	20	25·26	GAK33031000	50	22	NS6150310SP	50	13
B1620487000	40	20	GAK33035000	50	26	NS6150440SP	50	17
B185351200C	34	14	GAK3303600A	50	27	NS6620310SP	12	44
B3115552000	4	51	GAK330400A0	50	38	NS6660410SH	28	18
B3118552F00	2	44	GAK840300AA	50	20	NS6660430SP	28	19
B3120125000	4	52	GAK840300BA	50	19	PA1003018B0	40	21
B3120125000	6	29	GAKA1826000	50	9	PC010507000	40	23
B3126012000	4	53	GAKA1834000	50	25	PF902005000	38	26
B3126012000	6	27	GAKA1841000	50	35	PJ032526001	38	23
B3128012000	4	54	GAKA1842000	50	36	PJ301040501	38	21
B3129012A00	4	55	GPK700010A0	48	23	PJ301040502	38	8
B3129012A00	6	28	GPK710010A0	48	20	PJ301060501	38	19
B3132552000	4	56	HA006000000	36	17	PJ301080001	38	1
B412352200A	20	28~30	HK034610020	50	21	PJ301085102	38	15
B412352200B	20	28~30	HK03464000B	28	22	PJ304085103	38	16
B412352200C	20	28~30	HK03464000B	32	6	PJ308080001	38	46
B8210012000	48	6	HK03464000B	36	23	PJ308085201	38	24

NUMERICAL INDEX OF PARTS

PART NO	PAGE	REF NO.	PART NO	PAGE	REF NO.	PART NO	PAGE	REF NO.
PS0300062KH	26	56	SD0701511TP	26	49	SM4051055SP	6	33
PS0500102KH	18	71	SD0720331SP	24	41	SM4051055SP	22	76
PV130524000	38	14	SD0720331SP	44	20	SM4051055SP	32	24
PV135103000	38	13	SD0720336SP	12	30	SM4051055SP	40	29
RC0560711KP	6	18	SD0790601SP	34	12	SM4051255SP	36	37
RC1200001KP	18	72	SD0800352SP	50	12	SM4051405SE	42	12
RC1200001KP	24	47	SD0802126TP	50	37	SM4061255SP	34	2
RC2651218KP	28	8	SD1001506TP	32	13	SM5040655SN	4	68
RE0250000K0	36	8	SD1001506TP	34	10	SM5040655SN	6	20
RE0400000K0	6	19	SK3311600SE	48	19	SM6040602TP	12	9
RE0400000K0	18	63	SK3382001SC	48	15	SM6050802TP	34	4
RE0400000KP	50	31	SK3412000SC	38	33	SM6051002TP	24	65
RE0500000K0	12	54	SK3513200SC	48	22	SM6051002TP	26	65
RE0500000K0	14	54	SK3513201SE	46	22	SM6051002TP	50	32
RE0500000K0	16	37	SL4030631SC	36	3	SM6051202TP	34	21
RE0500000K0	24	40	SL4030641SE	36	22	SM6051400SP	12	4
RE0600000K0	34	17	SL4030881SF	38	20	SM6051400SP	20	17
RE0600000K0	40	16	SL4040805SC	18	74	SM6051602TP	16	17
RE0700000K0	50	16	SL6040892TN	30	10	SM6051802TP	40	28
RE1000000K0	44	19	SL6051292TN	18	66	SM6051850TP	18	51
RE1200000K0	32	7	SL6051492TN	12	37	SM6061610SC	42	6
RO037180100	12	25	SL6051492TN	30	8	SM6066002TN	26	61
RO080150200	4	83	SL6052592TN	2	26	SM80404A2TP	16	4
RO195240100	30	4	SL6052592TN	10	49	SM8040802TP	6	21
SB120000800	8	21	SL6053592TN	14	52	SM8050412TP	22	59
SB120001000	22	80	SL6061292TN	2	35	SM8050502TP	6	22
SB120001300	8	8	SL6061292TN	26	64	SM8051610SP	8	20
SB307000200	8	41~45	SL6061292TN	28	23	SM8053002TP	24	33
SB30700020A	8	41~45	SL6061292TN	32	11	SM8053002TP	36	34
SB30700020B	8	41~45	SM0051001SC	6	32	SM80606A2TP	8	6
SB30700020C	8	41~45	SM1051052TN	18	56	SM80606A2TP	22	60
SB30700020D	8	41~45	SM2040955TP	2	28	SM80608A2TP	2	70
SB32000060A	22	48~50	SM4021201SC	4	79	SM80608A2TP	4	70
SB32000060B	22	48~50	SM4040655SP	2	36	SM80608A2TP	8	39
SB32000060C	22	48~50	SM4040655SP	12	36	SM80608A2TP	16	7
SD0380551SL	26	48	SM4040655SP	18	49	SM80608A2TP	22	81
SD0500251SP	24	53	SM4040655SP	20	42	SM8063012TR	44	6
SD0500251SP	26	53	SM4040655SP	26	55	SM8081652TP	8	5
SD0500402SP	24	43	SM4050501SC	10	51	SM9040600SP	16	18
SD0600291TP	40	13	SM4050655SP	4	88	SM9041050SC	40	22
SD0630275SP	26	58	SM4050655SP	12	35	SM9061203SE	44	29
SD0640321SP	40	12	SM4050855SP	2	32	SM9061853SR	44	22
SD0640321TP	24	36	SM4050855SP	20	19	SM9062053SR	44	16
SD0641456TP	26	57	SM4050855SP	32	8	SS1110710SP	40	27
SD0650321TP	36	4	SM4051055SP	2	31	SS4080620TP	20	27

NUMERICAL INDEX OF PARTS

PART NO	PAGE	REF NO.	PART NO	PAGE	REF NO.
SS4110515SP	40	31	TA1250406R0	2	89
SS4110515SP	50	7	TA1250406R0	4	89
SS4110715SP	38	32	TA1270502R0	2	42
SS4120915SP	50	33	TA1470704R0	2	41
SS4151215SP	50	4	WP0330501SB	36	33
SS6060210SP	2	18	WP0430800SC	28	21
SS6080320SP	40	24	WP0450826SC	6	23
SS6090510TP	24	13	WP0482086SD	40	8
SS6090540SP	36	25	WP0501016SA	40	15
SS6090620TP	20	12	WP0501016SD	34	5
SS6090670TP	8	31	WP0501016SD	36	35
SS6090670TP	20	53	WP0502616SD	26	66
SS6090670TP	22	53	WP0531000SD	20	18
SS6110610TP	4	59	WP0531000SD	34	19
SS6110650TP	20	35	WP0550836SC	46	23
SS6110710TP	28	26	WP0621016SD	12	33
SS6121610SP	20	11	WP0621016SH	24	16
SS6121860SP	16	62	WP0621036SP	50	18
SS6121860SP	18	62	WP0650876SD	44	13
SS6621212TP	24	46	WP0651056SD	50	5
SS6660710TP	16	33	WP0651056SH	24	28
SS7080510TP	8	36	WP0851846SC	50	23
SS7091110TP	14	53	WP1021016SD	50	15
SS7110510SP	38	31	WP1612616SE	42	19
SS7110710SP	38	7	WP1703001SC	32	9
SS7110740TP	24	21	WP1751616SD	18	60
SS7110740TP	32	29	WS0510002KN	42	16
SS7121410SP	50	14	WS1643202KR	42	20
SS7121610SP	50	34			
SS7620750SP	18	70			
SS8080310TP	36	21			
SS8090670SP	4	58			
SS8110410TP	24	24			
SS8110422TP	40	10			
SS8110520TP	28	7			
SS8110520TP	40	9			
SS8110710SP	20	46			
SS8150822TP	20	3			
SS8151150TP	20	39			
SS8660610TP	20	24			
SS8660612TP	16	46			
SS8660612TP	28	3			
SS8661012TP	16	14			
SS8661012TP	22	66			
TA0850604R0	2	38			