

MODEL : MB-1373/MB-1377

List No : 1493-02

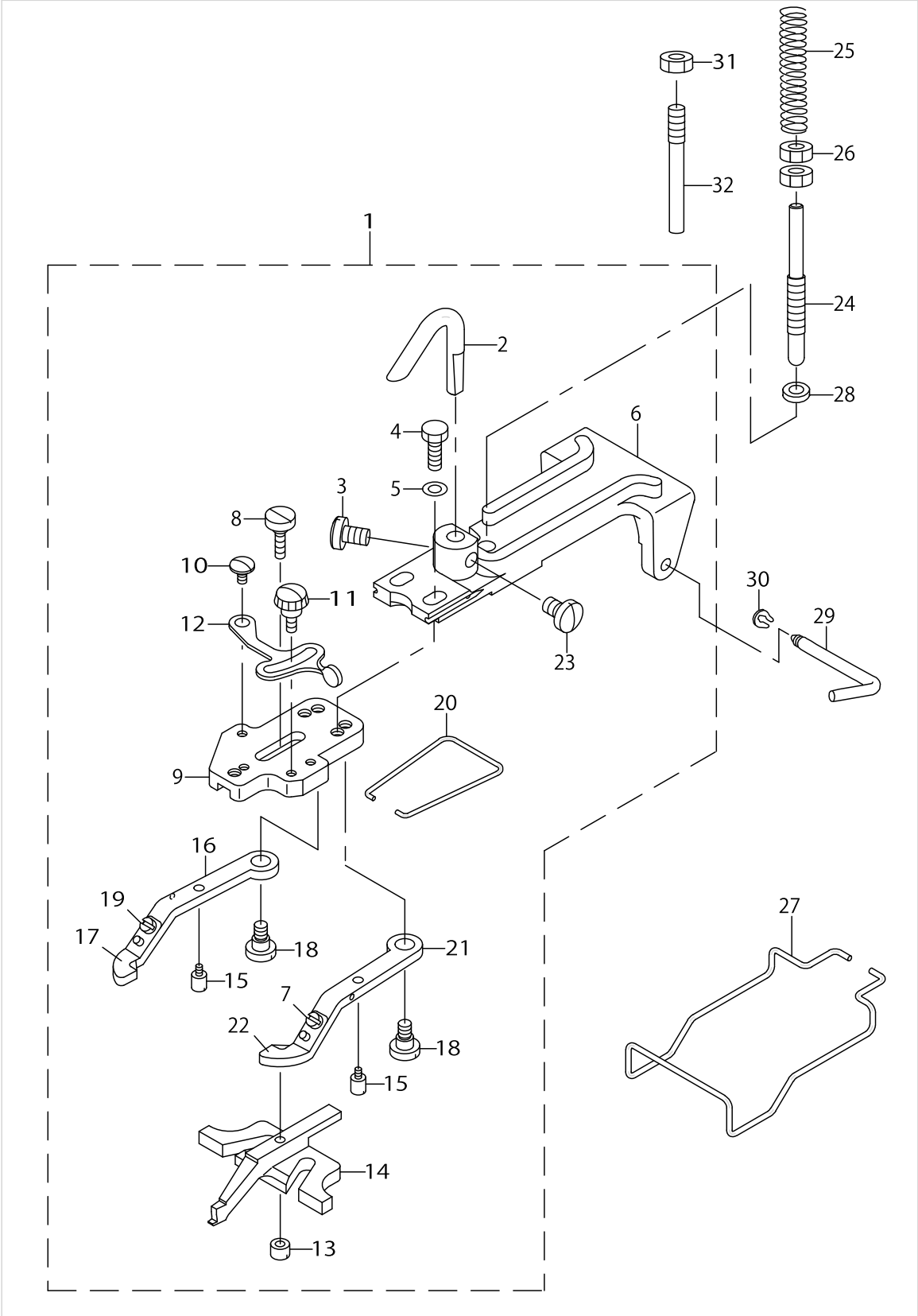
PARTS LIST

Published:09/10/2017

CONTENTS

BUTTON CLAMP MECHANISM COMPONENTS	1
ARM & MISCELLANEOUS COVERS COMPONENTS.....	3
LOOPER SHAFT MECHANISM COMPONENTS	7
NIPPER & THREAD TENSION PARTS COMPONENTS	9
FEED PLATE COMPONENTS	13
BUTTON CLAMP LIFTER COMPONENT	17
NEEDLE DRIVING PULLEY SHAFT COMPONENTS	21
NEEDLE BAR DRIVING MECHANISM COMPONENTS.....	23
STOP MOTION MECHANISM COMPONENTS	25
STITCH SELECTING PARTS COMPONENTS	27
THREAD BIND NOTCH COMPONENTS(FOR MB-1377).....	29
THREAD STAND COMPONENTS.....	31
TABLE & STAND COMPONENTS.....	33
ACCESSORIE PARTS COMPONENTS	35
SPECIAL ORDER SPEC COMPONENTS.....	37
SUBCLASS COMPONENTS(FOR MB-1373-11).....	39
HOW TO MAKE USE OF THIS PARTS LIST	41

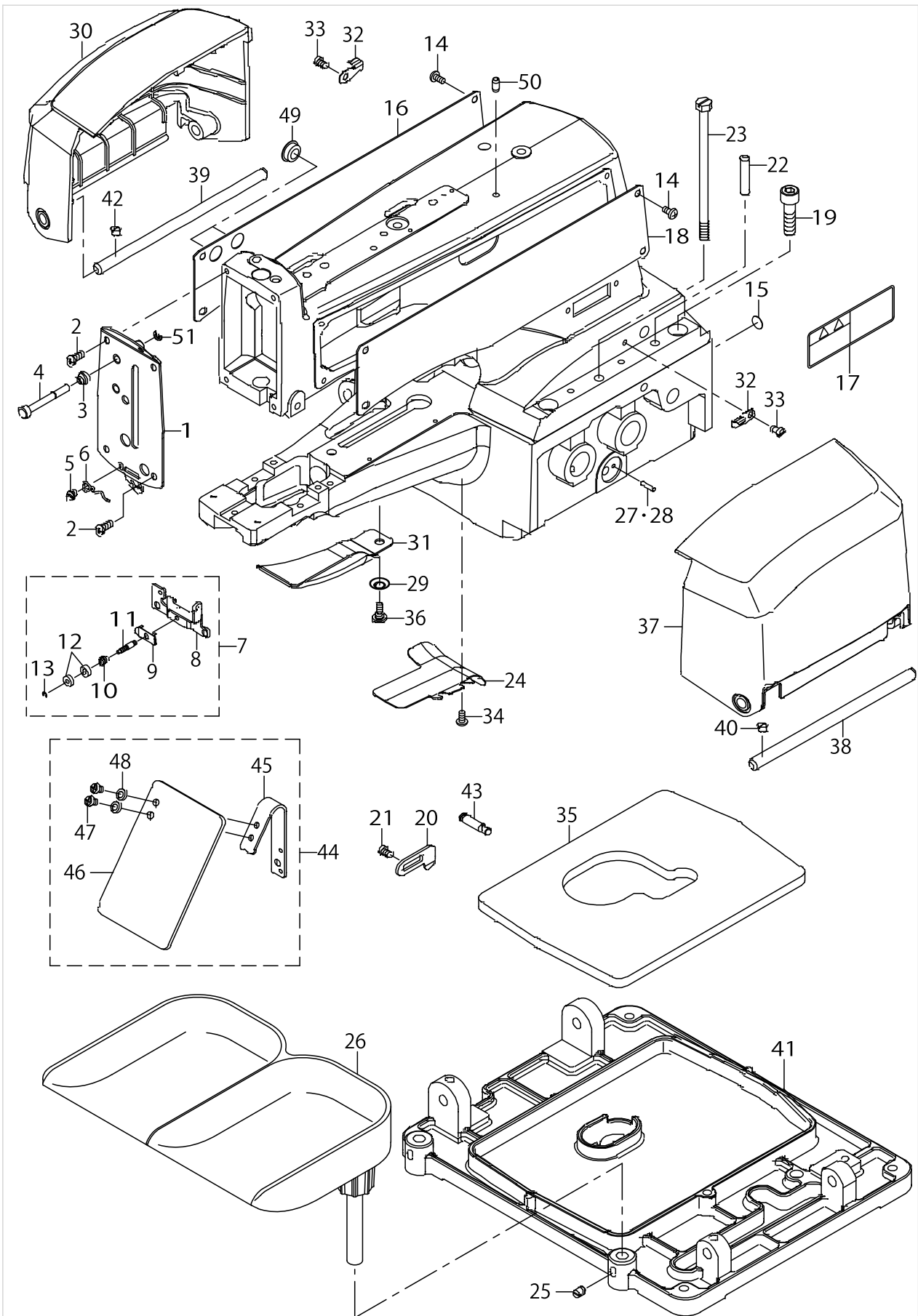
BUTTON CLAMP MECHANISM COMPONENTS



BUTTON CLAMP MECHANISM COMPONENTS

No.	Parts No.	Parts name	Remarks	Level	Cons	Qty
1	26026856	PICK-UP DEVICE ASM.				1
2	40041058	BUTTON CLAMP LIFTING HOOK		*		1
3	SS7150940SP	SCREW 15/64-28 L=9		*		1
4	SS9621413SP	SCREW 3/16-32 L=13.5		*		2
5	WP0501016SD	WASHER 5X10.5X1		*		2
6	26025502	BUTTON CLAMP HOLDER		*		1
7	SS7090410SP	SCREW 9/64-40 L= 3.5		*		1
8	SD0550301SP	HINGE SCREW D=5.5 H=3		*		1
9	26025403	JAW LEVER HOLDER		*		1
10	SD0550181SP	HINGE SCREW D= 5.50 H= 1.8		*		1
11	26025809	CLAMP SCREW A		*		1
12	26025700	SNAP FASTENER CLAMP STOP LEVER		*		1
13	26026005	NUT		*		1
14	26025908	BUTTON CLAMP SLIDE		*		1
15	26026609	BUTTON CLAMP STOP PIN		*		2
16	26026104	BUTTON CLAMP LEVER JAW (LEFT)		*		1
17	26026203	BUTTON HOLDING SPRING, LEFT		*		1
18	SD0640391TP	HINGE SCREW D= 6.35 H= 3.9		*		2
19	SS7090410SP	SCREW 9/64-40 L= 3.5		*		1
20	26026708	BUTTON CLAMP SPRING		*		1
21	26026302	BUTTON CLAMP LEVER JAW RIGHT		*		1
22	26026401	BUTTON HOLDING SPRING, RIGHT		*		1
23	SS7150940SP	SCREW 15/64-28 L=9		*		1
24	40040938	BUTTON_CLAMP_PRESSURE_ADJUSTIN				1
25	26027102	PRESSURE ADJUSTING SPRING				1
26	NM6060001CP	NUT M6				2
27	26027409	FINGER GUARD				1
28	40041069	SPRING_HOLDING_PLATE				1
29	26025205	HINGE PIN				1
30	B2541372000	SNAP RING				1
31	NM6060001CP	NUT M6				1
32	40040937	PICK_UP_DEVICE_STOPPER_PIN				1

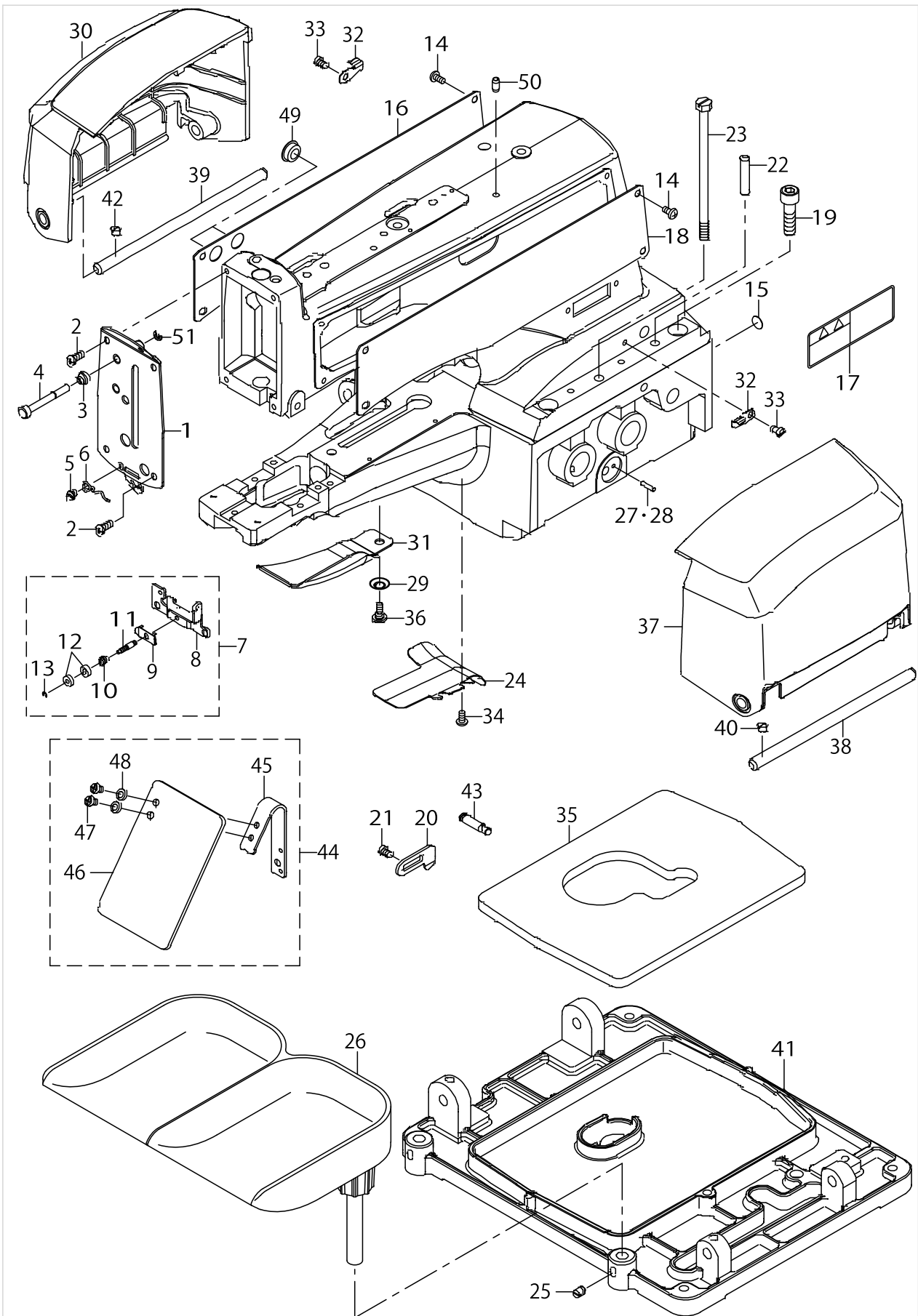
ARM & MISCELLANEOUS COVERS COMPONENTS



ARM & MISCELLANEOUS COVERS COMPONENTS

No.	Parts No.	Parts name	Remarks	Level	Cons	Qty
1	40038426	FACE_PLATE_COMPL.				1
2	SM4040855SP	SCREW				4
3	26021600	TENSION SPRING				1
4	26032003	NIPPER RELEASING STUD				1
5	SM6040650TP	SCREW				1
6	26031203	THREAD GUIDE NO.4				1
7	26031351	THREAD TENSION NO.3 ASM.				1
8	26031302	TENSION ADJUSTING BASE NO.3		*		1
9	26031401	THREAD PRESSER PLATE		*		1
10	26031500	TENSION SPRING B		*		1
11	26031609	THREAD TENSION STUD		*		1
12	26031708	THREAD TENSION NUT		*		2
13	RE0200000K0	E-RING 2		*		1
14	SM4040855SP	SCREW				8
15	TA2050406R0	RUBBER PLUG				1
16	40040931	SIDE_COVER_RIGHT				1
17	CM301300001	SAFETY LABEL				1
18	40040932	SIDE_COVER_LEFT				1
19	SM6083042CH	SCREW M8 L=30				4
20	26033704	STOPPER				1
21	SM6050800SP	SCREW M5 L=8				2
22	26011205	GUIDE PIN				2
23	40038483	SET_SCREW				1
24	40038431	BED_OIL_SHIELD				1
25	SM8060610TP	SCREW				1
26	40041022	BUTTON_TRAY_ASM.				1
27	26022608	CAM INDICATING PIN A	SELECTIVE PARTS			2
28	26022707	CAM INDICATING PIN B	SELECTIVE PARTS			2
29	WS0650389KP	SPRING WASHER 6.5X14.0X17				1
30	40038425	SIDE_COVER_LEFT				1
31	40038430	LOOPER_COVER				1
32	40041067	SIDE_COVER_SPRING				2
33	SM6040600SP	SCREW M4 L=6				2
34	SM4040855SP	SCREW				2
35	40038173	OIL_DRIP_FELT				1
36	SD0600277TP	SHOULDER SCREW D=6 H=2.7				1
37	40038424	SIDE_COVER_RIGHT				1
38	40040936	SIDE_COVER_HINGE_SHAFT_RIGHT				2
39	40040935	SIDE_COVER_HINGE_SHAFT_LEFT				1
40	SM8060612TP	SCREW M6 L=6				1
41	40038446	MACHINE_SUB_BASE				1
42	SM8060612TP	SCREW M6 L=6				1
43	40038471	SUSPENSION_SCREW_B				1
44	40054729	ASSY SAFETY PLATE				1
45	40054730	SAFETY PLATE INSTALLING BASE		*		1
46	26037200	SAFETY PLATE		*		1
47	SM4040655SP	SCREW M4 L=6		*		2

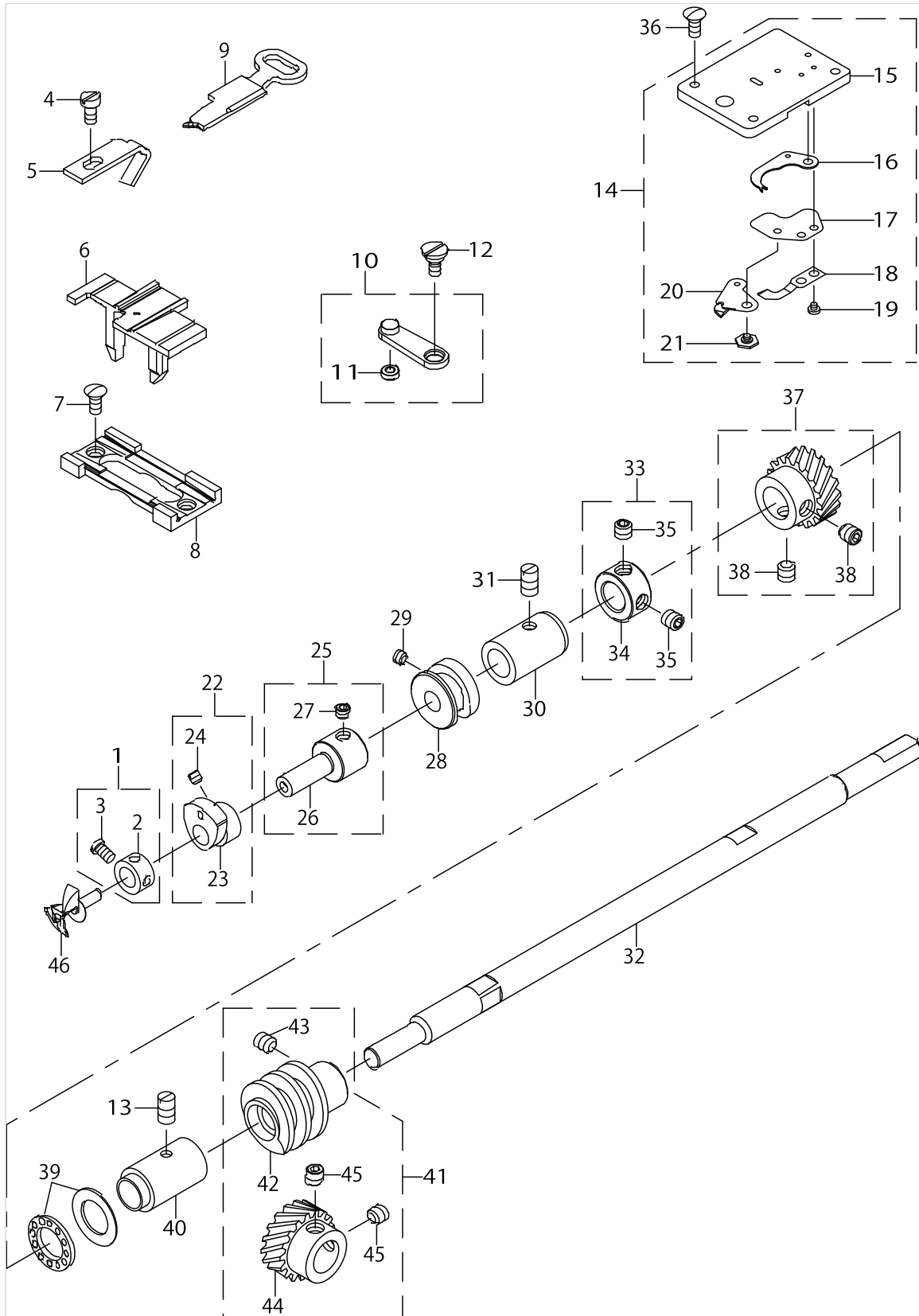
ARM & MISCELLANEOUS COVERS COMPONENTS



ARM & MISCELLANEOUS COVERS COMPONENTS

No.	Parts No.	Parts name	Remarks	Level	Cons	Qty
48	WP0430800SD	WASHER M4		*		2
49	TA1250406R0	RUBBER PLUG D=12.5 L=4				2
50	PS0500102KH	SPRING PIN 5.0X10				1
51	RE0320000K0	E-RING 3.2				1

LOOPER SHAFT MECHANISM COMPONENTS



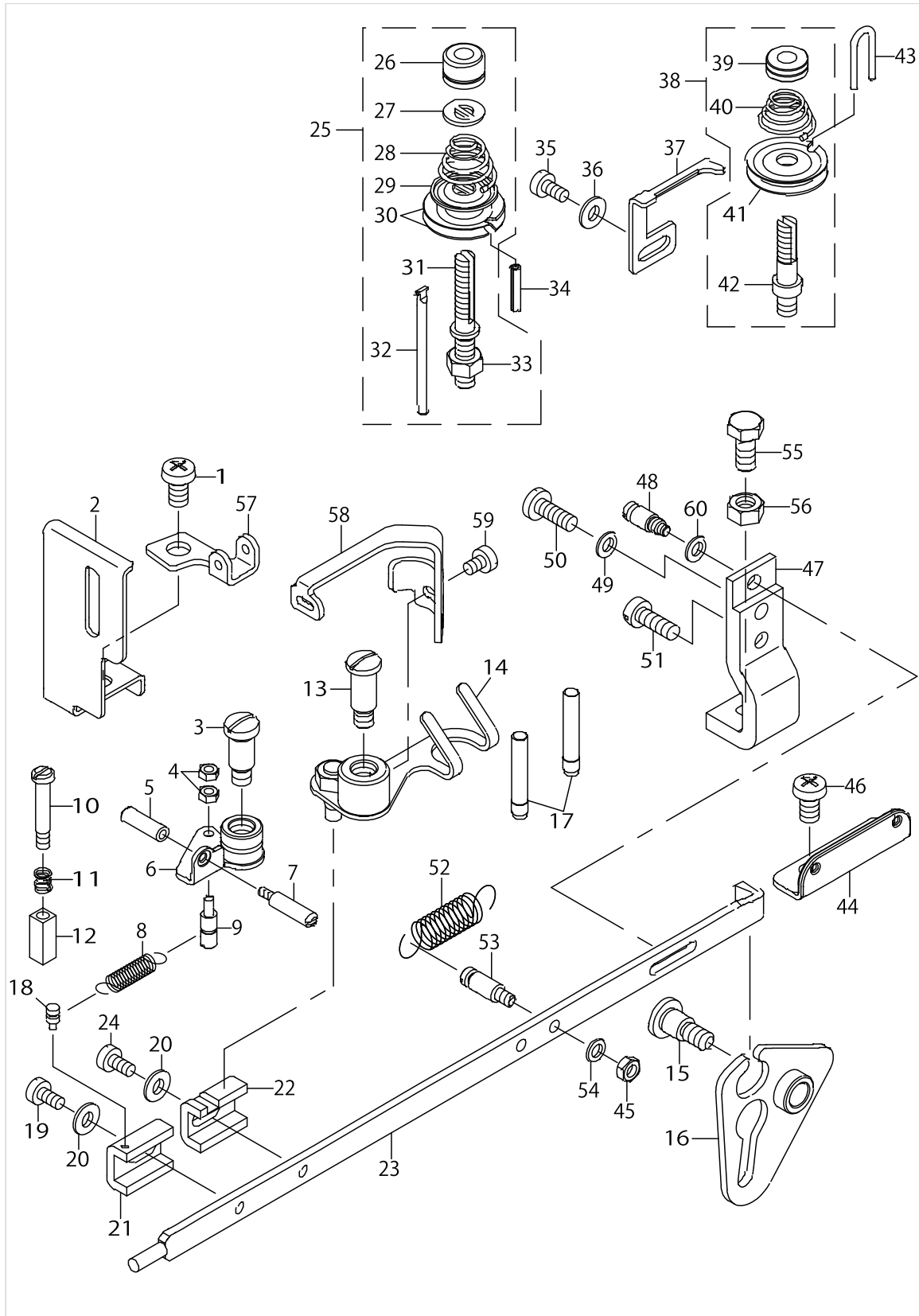
LOOPER SHAFT MECHANISM COMPONENTS

No.	Parts No.	Parts name	Remarks	Level	Cons	Qty
1	CS079072ATH	THRUST COLLAR ASM.				1
2	CS0790721TH	THRUST COLLAR D=7.94 W=7		*		1
3	SS7090620TP	SCREW 9/64-40 L=6.1		*		1
4	SM6040800SP	SCREW				1
5	40038484	NEEDLE_GUARD				1
6	26013607	POSITIONING FINGER YOKE SLIDE				1
7	SM1040950TP	SCREW M4 L=9				2
8	26013409	YOKE SLIDE INSERT				1
9	26013805	YOKE SLIDE				1
10	40038400	ASSY_LOOP_POSITIONING_FINGER_LEVER				1
11	40038403	LOOP_POSITIONING_FINGER_CAM_ROLL		*		1
12	SD0640246SP	HINGE SCREW D=6.35 H=2.4				1
13	SM8061010TP	SCREW				1
14	B12413770B0	THROAT PLATE SET				1
15	B12413770A0	THROAT PLATE ASM.		*		1
16	B27033770A0	THREAD BIND PLATE ASM.		*		1
17	B2702377000	THREAD BIND SUPPORT PLATE		*		1
18	B2410373000	COUNTER KNIFE		*		1
19	SS7080310SP	SCREW 1/8-44 L= 3.0		*		2
20	B24063730A0	MOVING KNIFE ASM.		*		1
21	SD0600095TH	HINGE SCREW D= 6 H= 0.85		*		1
22	40041106	ASSY_LOOP_POSITIONING_FINGER_CAM				1
23	26003103	LOOP POSITIONING FINGER CAM		*		1
24	SS8110410TP	SCREW 11/64-40 L= 3.5		*		2
25	40038482	ASSY_CAM_AND_LOOPER_SLEEVE				1
26	26015503	CAM AND LOOPER SLEEVE		*		1
27	SS8150410TP	SCREW 15/64-28 L= 4.0		*		2
28	26015404	LOOP POSITIONING FINGER CAM				1
29	SS8110310SP	SCREW 11/64-40 L= 2.8				2
30	26015305	LOOPER SHAFT BUSHING FRONT				1
31	SM8061010TP	SCREW				1
32	40038111	LOOPER_SHAFT				1
33	40098872	COLLER_ASSY				1
34	40097991	COLLER		*		1
35	SS8110422TP	SCREW 11/64-40 L=4		*		2
36	SM1040870TP	SCREW				3
37	B12243720A0	LOOPER SHAFT DRIVEN GEAR ASM.				1
38	SS8660612TP	SCREW 1/4-40 L=6		*		2
39	B1215372A00	THRUST BALL BEARING				1
40	26013102	LOOPER SHAFT BUSHING REAR				1
41	B1221373NA0	WORM WHEEL ASM.				1
42	B1221373N00	WORM		*		1
43	SS6660712TP	SCREW 1/4-40 L= 7.0		*		2
44	B1220372000	CAM SHAFT DRIVEN GEAR		*		1
45	SS8660612TP	SCREW 1/4-40 L=6		*		2
46	B1239372000	LOOPER				1

NIPPER & THREAD TENSION PARTS COMPONENTS

No.	Parts No.	Parts name	Remarks	Level	Cons	Qty
1	SM4061255SP	SCREW M6 L=12				1
2	40038205	NEEDLE_BAR_GUARD				1
3	SD0791276TP	SHOULDER SCREW				1
4	NM6030001SN	NUT				2
5	26020602	NUT				1
6	26000950	NIPPER COMPL.				1
7	26020503	LOOPER SHAFT BUSHING REAR				1
8	40041077	NIPPER_BAR_BLOCK_SPRING				1
9	40038492	NIPPER_BAR_BLOCK_SPRING_SCREW				1
10	SD0402001TP	HINGE SCREW D=4 H=20				1
11	26020404	NIPPER SLIDE BLOCK SPRING				1
12	26020305	NIPPER BLOCK				1
13	SD0791506TP	SHOULDER SCREW D=7.94 H=15				1
14	40038476	THREAD_PULL_OFF_LEVER_ASM				1
15	SD0790806TP	SHOULDER SCREW D=7.94 H=8				1
16	26000455	NIPPER BAR ACTUATING LEVER ASM				1
17	26020206	THREAD GUIDE PIN				2
18	26019406	NIPPER BAR BLOCK SPRING PIN				1
19	SM6040800SP	SCREW				1
20	WP0450801SP	WASHER				2
21	26019307	NIPPER BAR BLOCK				1
22	26019208	TENSION LEVER ROCKING PIECE				1
23	40038479	NIPPER_BAR				1
24	SM6040800SP	SCREW				1
25	40038208	TENSION_POST_ASM_NO.2				1
26	40038214	TENSION_NUT		*		1
27	22921407	ROTATION STOPPER		*		1
28	26019901	THREAD TENSION SPRING		*		1
29	26020107	THREAD TENSION DISK PRESSER		*		1
30	26005207	THREAD TENSION_DISK_NO.1		*		2
31	40038210	TENSION_POST_NO.2		*		1
32	26019802	TENSION_RELEASE_PIN		*		1
33	NM6060001CP	NUT M6		*		1
34	PS0300162KH	SPRING PIN 3X16				1
35	SM6040800SP	SCREW				1
36	WP0450801SP	WASHER				1
37	26019109	THREAD TENSION RELEASING LEVER				1
38	40038404	ASSY_THREAD_TENSION_NO.1				1
39	40038408	THREAD_TENSION_NUT		*		1
40	26005306	FIRST THREAD TENSION SPRING		*		1
41	26005207	THREAD TENSION_DISK_NO.1		*		2
42	40038405	THREAD_TENSION_POST_NO.1		*		1
43	26019505	THREAD GUIDE				1
44	26021402	THREAD GUIDE NO.1				1
45	NM6040002SN	NUT M4				1
46	SM4061255SP	SCREW M6 L=12				1
47	40038396	NIPPER_BAR_BEARING_BLOCK				1

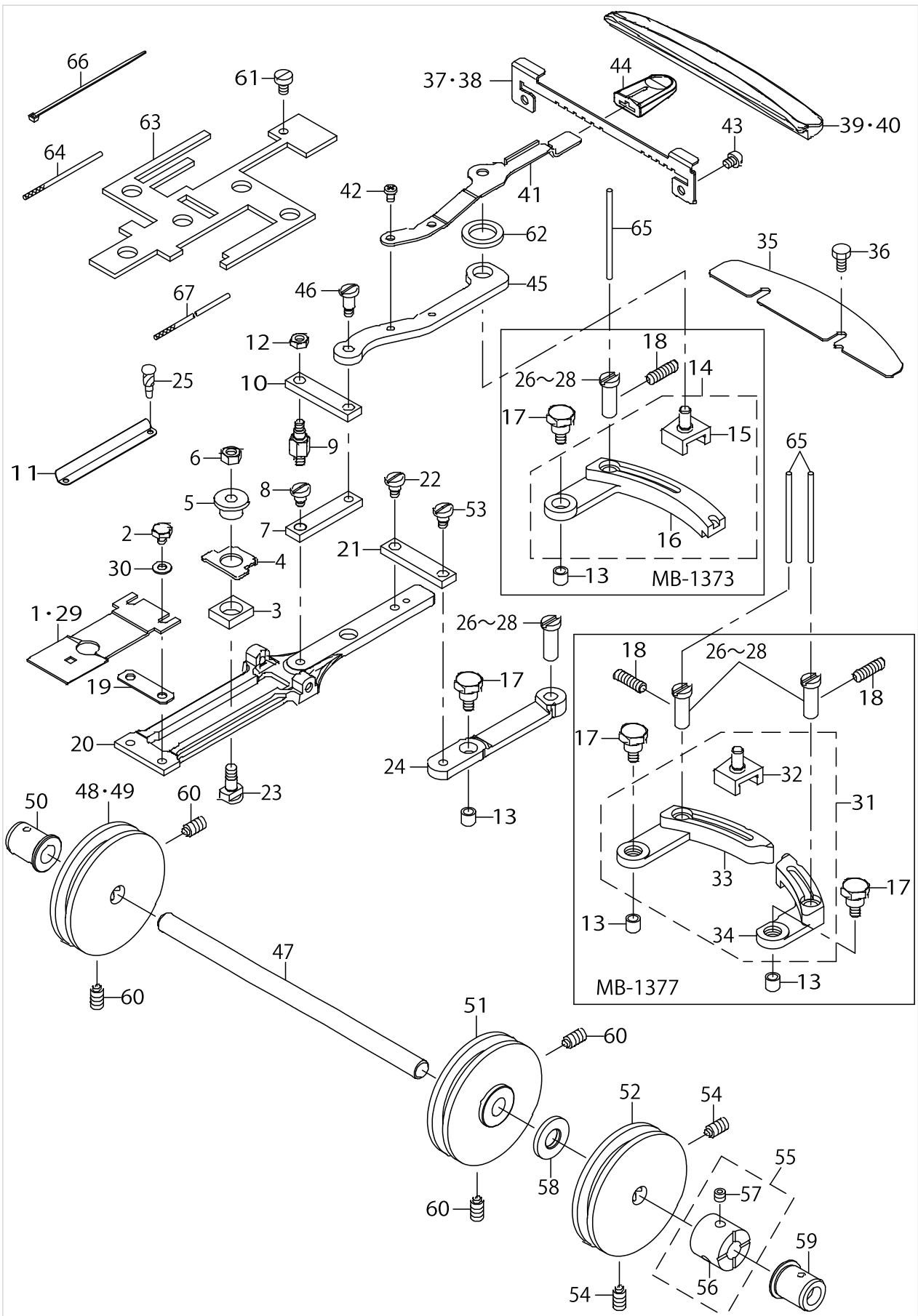
NIPPER & THREAD TENSION PARTS COMPONENTS



NIPPER & THREAD TENSION PARTS COMPONENTS

No.	Parts No.	Parts name	Remarks	Level	Cons	Qty
48	40038206	ADJUSTING_SCREW				1
49	WP0550800SP	WASHER 5.5X10X0.8				1
50	SM7051460TP	SCREW M5 L=14				1
51	SM6051400SP	SCREW				1
52	26019000	THREAD TENSION SPRING				1
53	40038207	NIPPER_BAR_SPRING_SCREW				1
54	WP0450846SP	WASHER				1
55	SM9061403CP	SCREW M6 L=14				1
56	NM6060001SE	NUT M6				1
57	26021105	THREAD GUIDE				1
58	40038320	LEVER				1
59	SM6040600SP	SCREW M4 L=6				1
60	WP0501016SD	WASHER 5X10.5X1				1

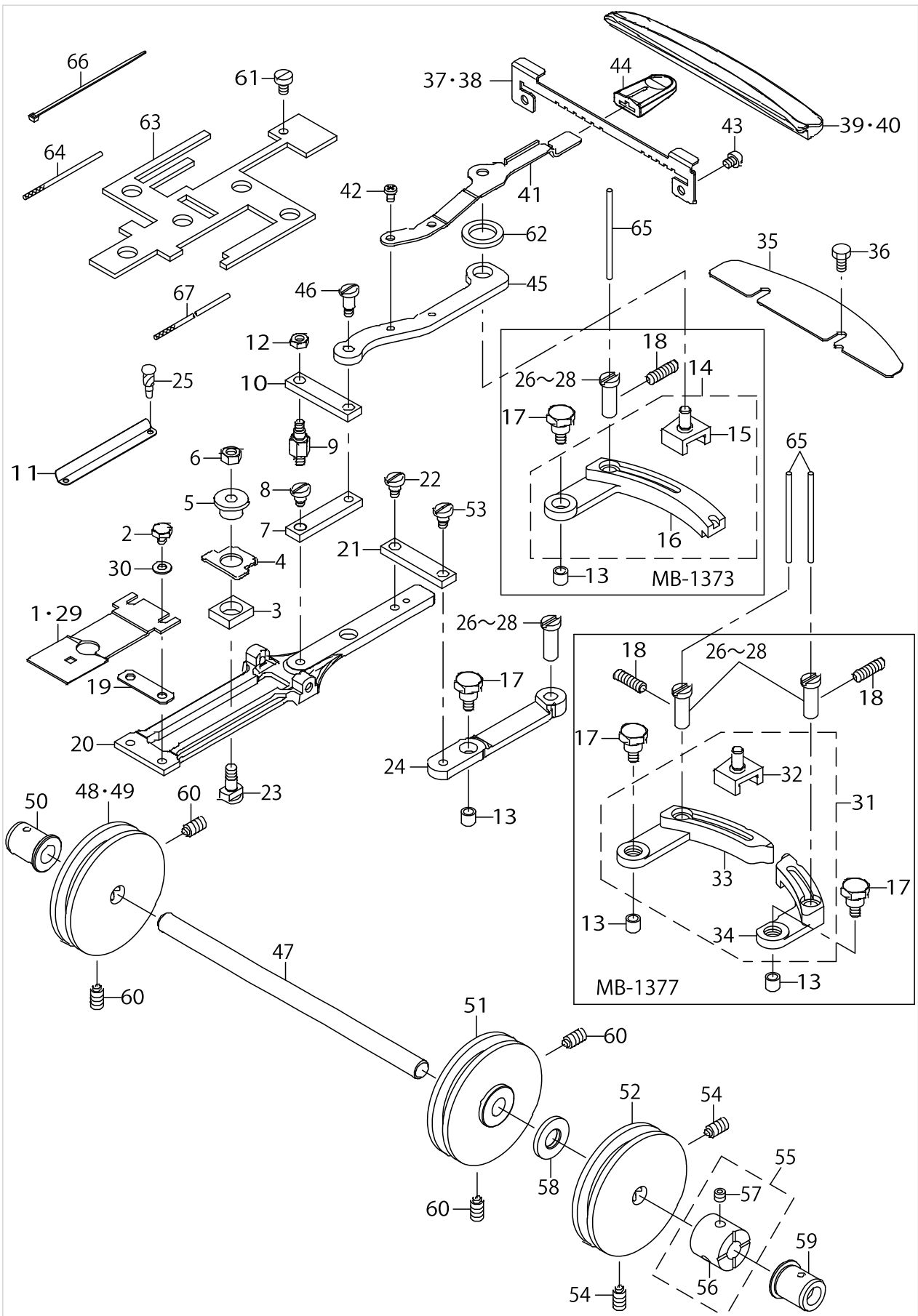
FEED PLATE COMPONENTS



FEED PLATE COMPONENTS

No.	Parts No.	Parts name	Remarks	Level	Cons	Qty
1	B2529373000	FEED PLATE, SMALL BUTTON				1
2	SS9120643TP	SCREW 3/16-28 L=6				2
3	26024604	LNDICATOR PIN BEARING BLOCK				1
4	26024901	CROSSWISE FEED INDICATOR				1
5	26024703	CROSSWISE FEED INDICATOR PIN				1
6	NM6060001CP	NUT M6				1
7	40038498	SLIDE_PLATE_CONNECTING_LINK				1
8	SD0640481SP	HINGE SCREW D= 6.35 H= 4.8				1
9	40038499	STUD				1
10	26024208	INTERMEDI CONNECTING LINK				1
11	40041052	CROSSWISE_FEED_GRADVATED_PLATE				1
12	NM6050001SP	NUT M5				1
13	26023200	CAM ROLL				2
14	40041030	LENGTHWISE_FEED_LEVER_ARM_1373				1
15	40038439	LENGTHWISE_FEED_LEVER_SLIDE		*		1
16	40041029	FEED_LEVER_1373		*		1
17	40038496	CAM_ROLL_SCREW_STUD				2
18	SM8061212TP	SCREW M6X12				1
19	26025106	SPACER PLATE				1
20	40038463	FEED_PLATE				1
21	26024208	INTERMEDI CONNECTING LINK				1
22	SD0640481SP	HINGE SCREW D= 6.35 H= 4.8				1
23	40098330	HINGE_SCREW_FOW_CROSSWISE_FEED				1
24	40038453	CROSSWISE_FEED_LEVER				1
25	B1161227000	RIVET				2
26	40041055	FEED_STUD_A	SELECTIVE PARTS			1
27	40041056	FEED_STUD_B	SELECTIVE PARTS			1
28	40041057	FEED_STUD_C	SELECTIVE PARTS			1
29	D2529373B00A	FEED PLATE ,SMALLBUTTON				1
30	WP0501016SD	WASHER 5X10.5X1				2
31	40038469	LENGTHWISE_FEED_LEVER_ARM	FOR MB-1377			1
32	40038439	LENGTHWISE_FEED_LEVER_SLIDE		*		1
33	40038432	FEED_LEVER_L		*		1
34	40038433	FEED_LEVER_R		*		1
35	40041061	FEED_KNOB_GUIDE_PLATE				2
36	SM9050813SE	SCREW M5X0.8 L=8				1
37	40042279	PLATE_BASE_(MB-1373)	FOR MB-1373			1
38	40038436	PLATE_BASE_(MB-1377)	FOR MB-1377			1
39	40038313	GRADUATE_PLATE(MB-1373)	FOR MB-1373			1
40	40038314	GRADUATE_PLATE(MB-1377)	FOR MB-1377			1
41	40042281	HANDLE_AND_INDICATOR_SPRING				1
42	SM4040655SP	SCREW M4 L=6				2
43	SM4050855SP	SCREW				2
44	40038442	KNOB				1
45	40040965	INDICATOR_SPRING_CONNECTING_LINK				1
46	SD0640976TP	SHOULDER SCREW D=6.35 H=9.7				2
47	40038444	CAM_SHAFT				1

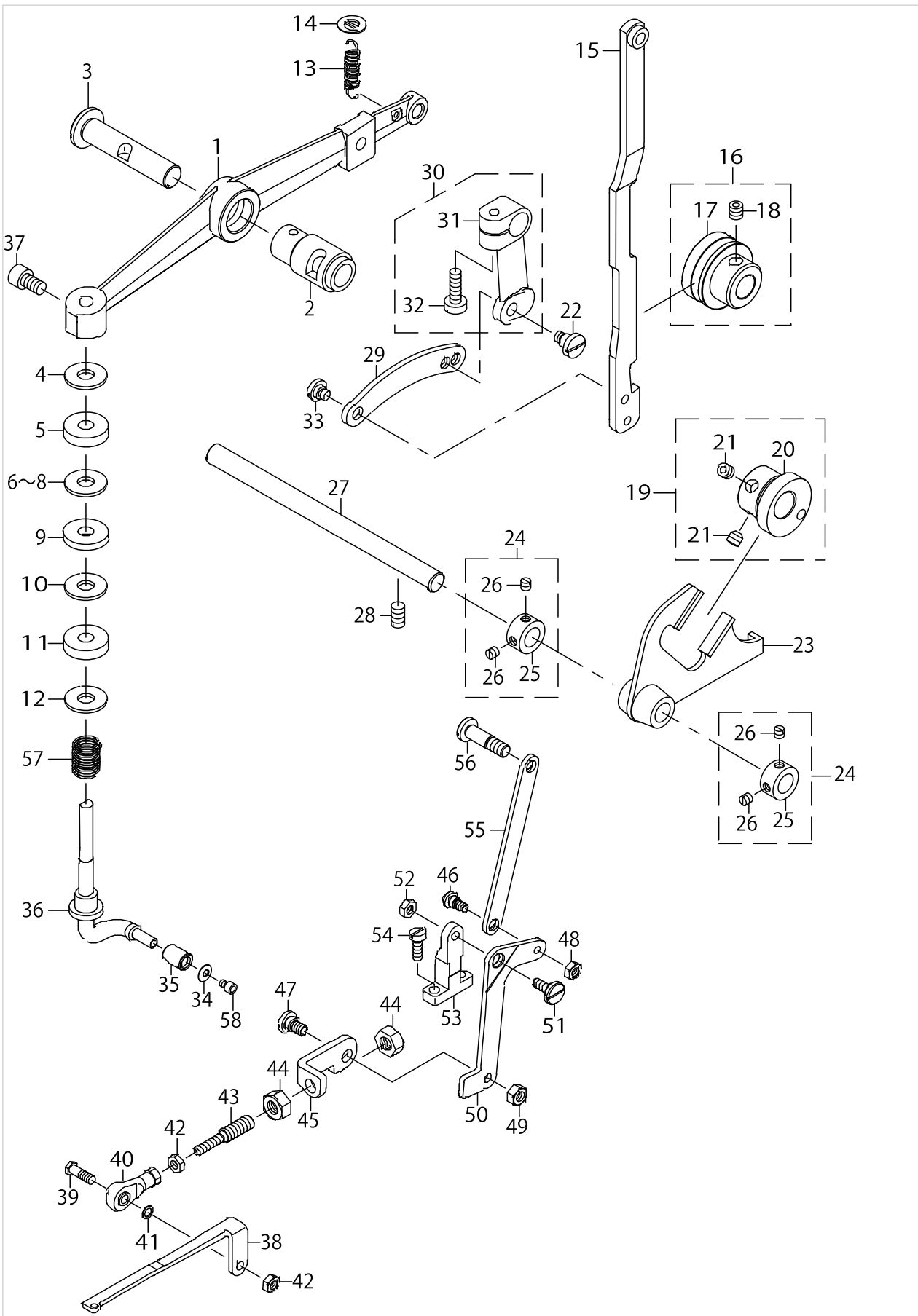
FEED PLATE COMPONENTS



FEED PLATE COMPONENTS

No.	Parts No.	Parts name	Remarks	Level	Cons	Qty
48	40041032	LENGTHWISE_FEED_CAM(X)				1
49	B2506373000A	LONGITUDINAL FEED CAM	FOR MB-1373			1
50	26022509	CAM SHAFT BUSHING.LEFT				1
51	40041033	LATERAL_FEED_CAM				1
52	40041025	LONGITUDINAL_FEED_CAM_A	FOR MB-1377			1
53	SD0640486TP	SHOULDER SCREW D=6.35 H=4.8				1
54	SS8681412TP	SCREW 9/32-28 L=13.5	FOR MB-1377			2
55	40040964	THRUST_COLLAR_ASSY	FOR MB-1373			1
56	40040961	THRUST_COLLAR		*		1
57	SM8060552TP	SCREW M6 L=5		*		2
58	40042081	SPACER	FOR MB-1377			1
59	26022400	CAM SHAFT BUSHING.RIGHT				1
60	SS8681412TP	SCREW 9/32-28 L=13.5				4
61	SM6050800SP	SCREW M5 L=8				1
62	40041045	OIL_RETAINING_FELT				1
63	40041044	FEED_SHOULDER_SCREW_FELT				1
64	CQ252000000	OIL WICK				0.06
65	CQ3000000F0	OIL FELT				0.06
66	EA9500B0100	CABLE BAND				4
67	CQ252000000	OIL WICK				0.3

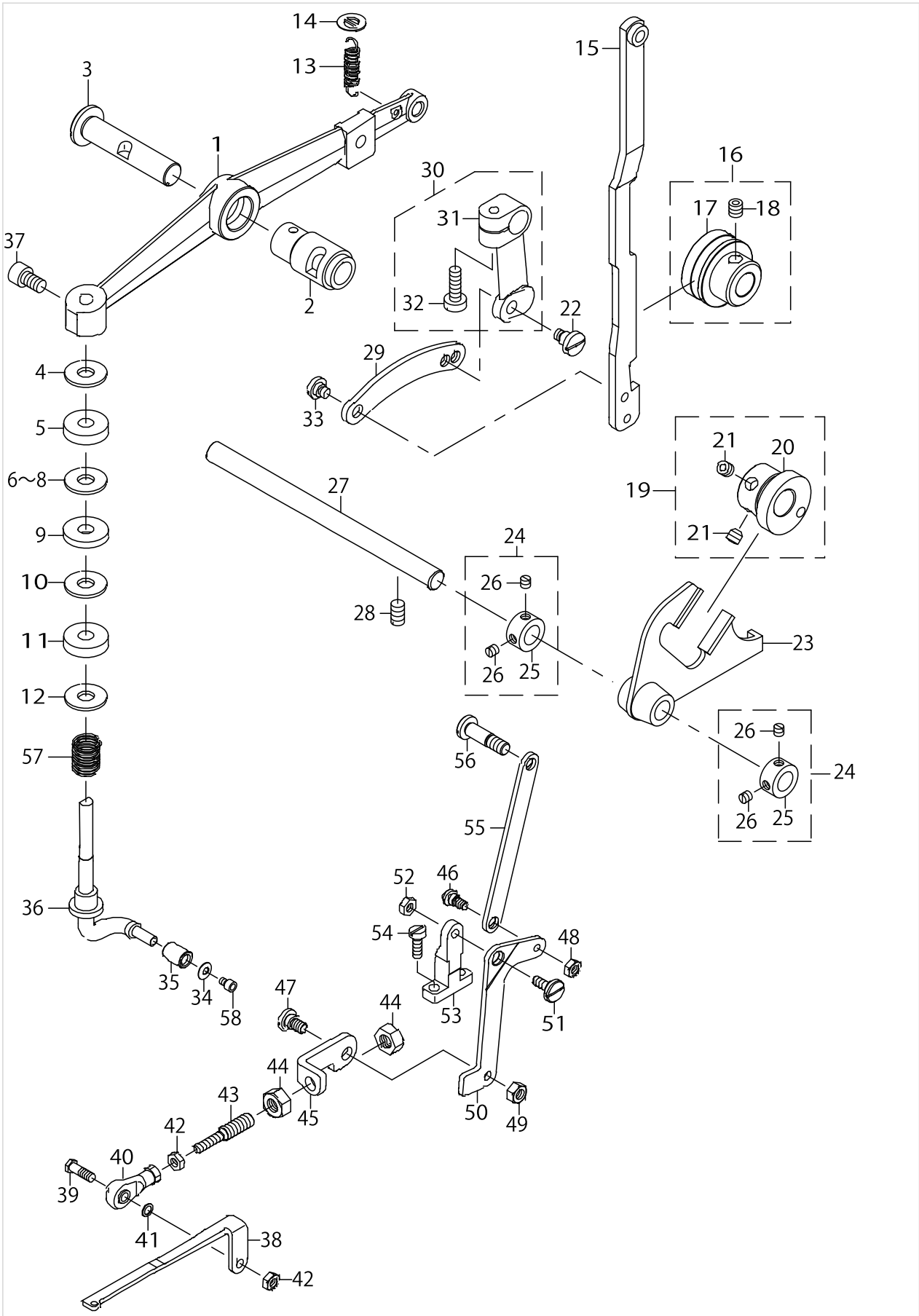
BUTTON CLAMP LIFTER COMPONENT



BUTTON CLAMP LIFTER COMPONENT

No.	Parts No.	Parts name	Remarks	Level	Cons	Qty
1	40038119	LIFTING_LEVER				1
2	26018101	BUSHING				1
3	40038116	NEEDLE_BAR_LEVER				1
4	WP0851216SC	WASHER 8.5X18.0X1.2				1
5	B4420373000	CUSHION				1
6	WP0851216SC	WASHER 8.5X18.0X1.2	SELECTIVE PARTS (USE OF ONE PARTS)			1
7	WP0751576SD	WASHER 7.5X19X1.5	SELECTIVE PARTS (USE OF ONE PARTS)			1
8	10510808	WASHER	SELECTIVE PARTS (USE OF ONE PARTS)			1
9	WP0751576SD	WASHER 7.5X19X1.5				1
10	WP0751576SD	WASHER 7.5X19X1.5				1
11	B4420373000	CUSHION				1
12	WP0703516SP	WASHER 7X20X3.5				1
13	26033407	SPRING				1
14	26033308	WASHER				1
15	B4411372000	BUTTON CLAMP LIFTING LINK				1
16	40040962	ASSY_SLIDING_ROLLER				1
17	40040953	SLIDING_ROLLER		*		1
18	SM8060612TP	SCREW M6 L=6		*		1
19	40038321	ECCENTRIC_CAM				1
20	40038398	ECCENTRIC_CAM		*		1
21	SM8060612TP	SCREW M6 L=6		*		2
22	SD0640481SP	HINGE SCREW D= 6.35 H= 4.8				1
23	40120628	BUTTON_CLAMP_LIFTING_LINK				1
24	CS0950810SH	THRUST COLLAR ASM. D=9.5 W=8				2
25	CS0950816SH	THRUST COLLAR D=9.5 W=8		*		1
26	SS8110410TP	SCREW 11/64-40 L= 3.5		*		2
27	40038445	LEVER_SHAFT				1
28	SM8061010TP	SCREW				2
29	26032508	LIFTING_LINK				1
30	40038414	LIFTING_PLATE_GUIDE_ROD_ASM				1
31	40038413	LIFTING_PLATE_GUIDE_ROD		*		1
32	SM6051600SP	SCREW M5 L=16		*		1
33	SD0640211SP	HINGE SCREW D= 6.35 H= 2.1				1
34	WP0330501SB	WASHER M3				1
35	40038283	L_TYPE_LIFTING_BAR_ROLLER				1
36	40038502	BUTTON_CLAMP_LIFTING_ROD_A				1
37	SM6061002TP	SCREW M6 L=10				1
38	40038428	CONNECTING_LINK_FRONT				1
39	26022202	JOINT STUD				1
40	B1632180000	FEED ADJUSTING JOINT				1
41	WP0510516SD	WASHER 5.1X7.5X0.5				1
42	NM6050001SP	NUT M5				2
43	40038219	CONNECTING_SCREW				1
44	NM6080021SP	NUT M8 TYPE1				2
45	40038429	CONNECTING_LINK_REAR				1
46	SD0640323TP	HINGE SCREW D= 6.35 H= 3.2				1
47	SD0790402TP	HINGE SCREW D= 7.94 H= 4				1

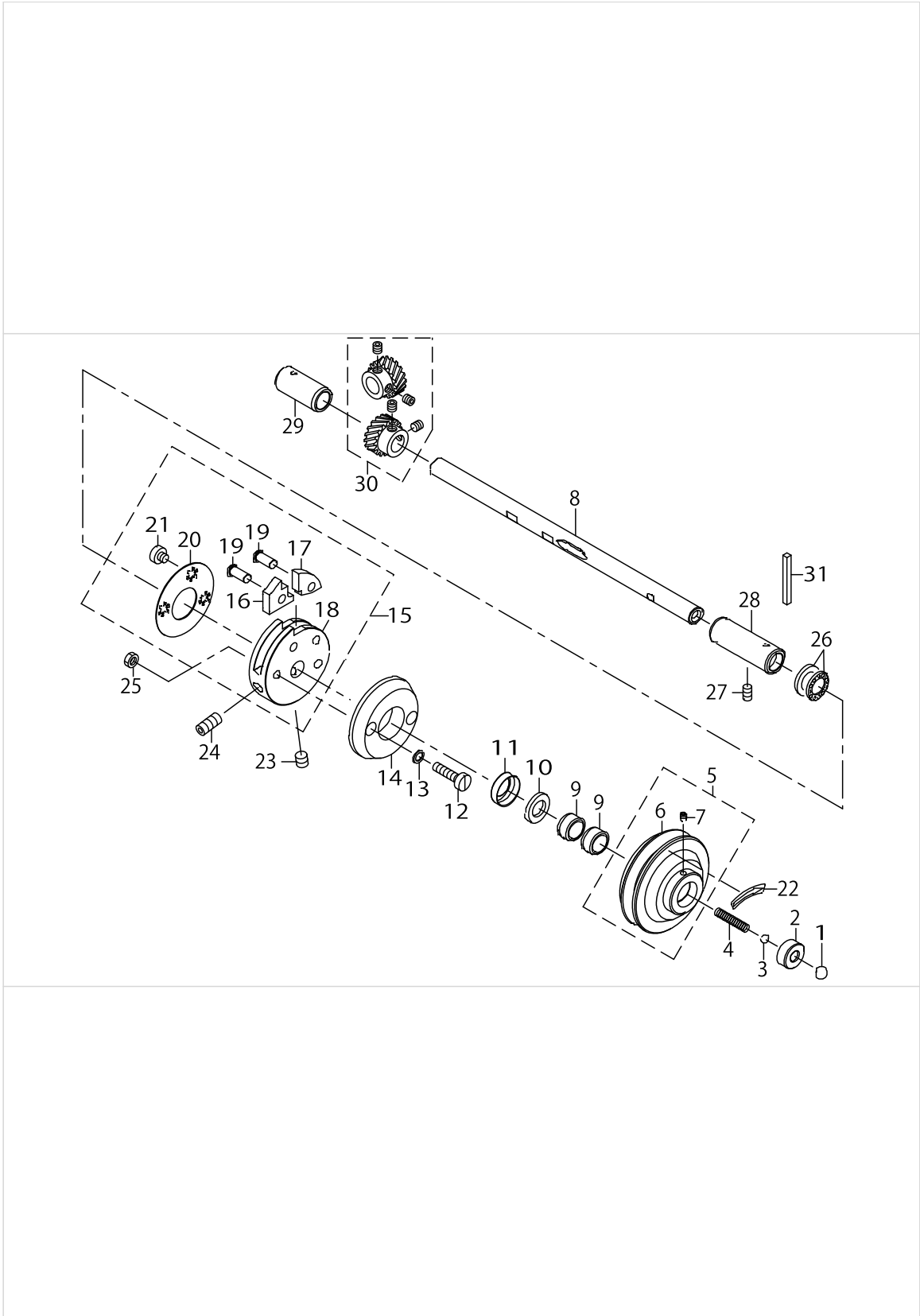
BUTTON CLAMP LIFTER COMPONENT



BUTTON CLAMP LIFTER COMPONENT

No.	Parts No.	Parts name	Remarks	Level	Cons	Qty
48	NS6620310SP	NUT 3/16-32				1
49	NS6150310SP	NUT 15/64-28				1
50	40038397	THREAD_TRIMMING_LEVER				1
51	SD0790316TP	SHOULDER SCREW D=7.94 H=3.1				1
52	NM6050001SP	NUT M5				1
53	40038495	THREAD_TRIM_LEVER_BASE				1
54	SM7051460TP	SCREW M5 L=14				2
55	26021709	THREAD TRIMMING LINK				1
56	SD0641322TP	HINGE SCREW D=6.35 H=13.2				1
57	26033605	SPRING				1
58	SM6030402TP	SCREW M3X0.5 L=4				1

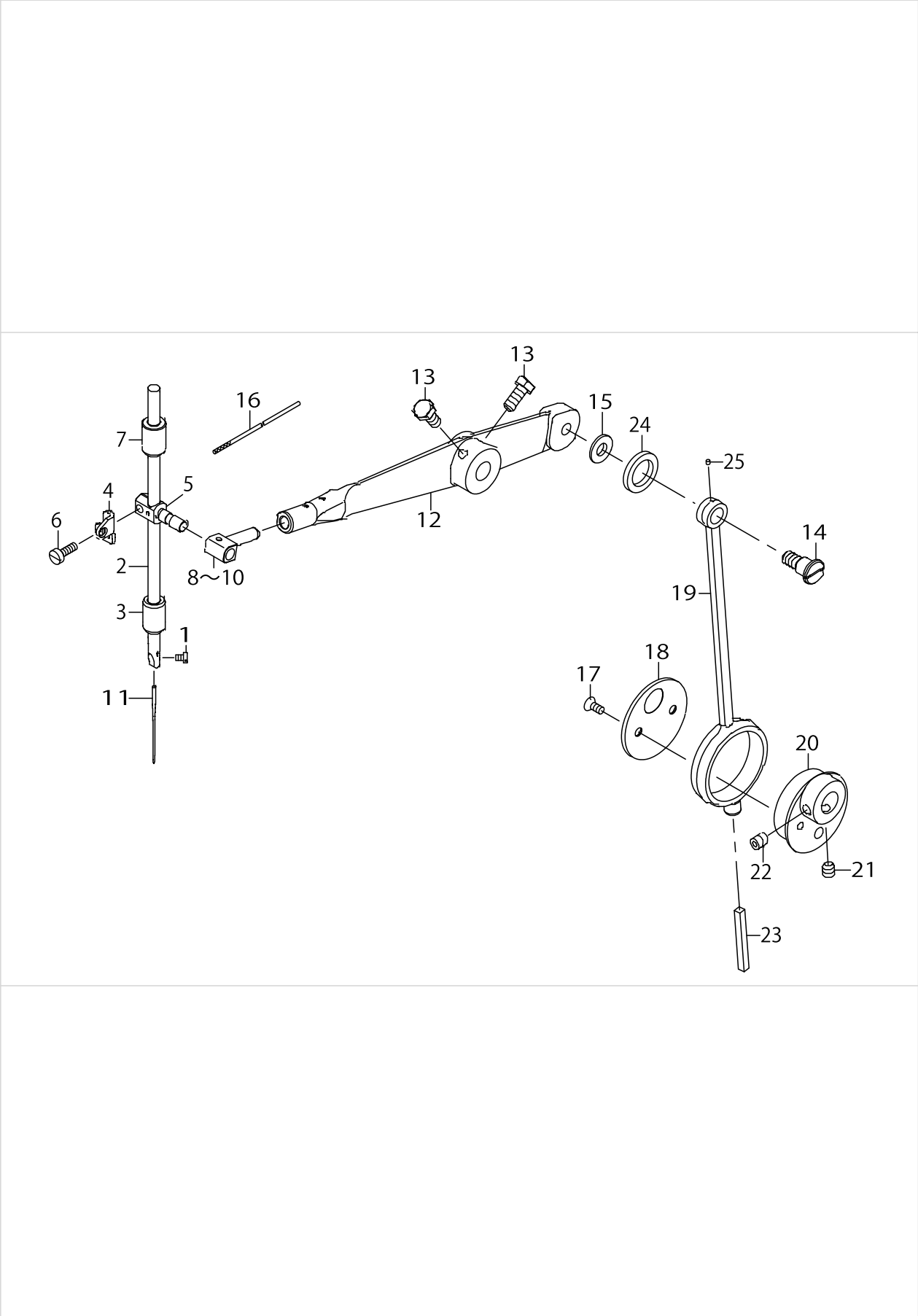
NEEDLE DRIVING PULLEY SHAFT COMPONENTS



NEEDLE DRIVING PULLEY SHAFT COMPONENTS

No.	Parts No.	Parts name	Remarks	Level	Cons	Qty
1	B1203372000	BALL LARGE				1
2	26012401	PULLEY INSERT				1
3	40038203	BALL_SMALL				1
4	26012500	SPRING				1
5	40038169	DRIVING_PULLEY_ASM.				1
6	40038175	DRIVING_PULLEY		*		1
7	SM8040612TP	SCREW M4 L=6		*		1
8	40038449	NEEDLE_DRIVING_PULLEY_SHAFT				1
9	B1243372000	NEEDLE BEARING				2
10	26012609	GREASE RTETAINING WICK				1
11	26012708	RETAINING WASHER				1
12	SM6062450TP	SCREW M6 L=23.5				2
13	WP0621026SP	WASHER 6.2X9.5X1				2
14	B1208372000	NEEDLE DRIVING PULLEY CLUTCH D				1
15	40038137	STOP_MOTION_DISC_ASM.				1
16	40038135	STOP_MOTION_DISC_LATCH_A		*		1
17	40038136	STOP_MOTION_DISC_LATCH_B		*		1
18	40038138	STOP_MOTION_DISC		*		1
19	40038139	STOP_MOTION_PAWL_SHAFT		*		2
20	40038140	STOP_MOTION_DISC_WASHER		*		1
21	SM6060550TP	SCREW M6 L=4.5		*		1
22	CM500200001	DIRECTION LABEL.				1
23	SM8080812TP	SCREW M8X8				1
24	SM8081752TP	SCREW M8 L=17				1
25	NM6060003SP	NUT M6 TYPE3				2
26	B1215372B00	THRUST BALL BEARING				1
27	SM8061010TP	SCREW				1
28	40038461	PULLEY_SHAFT_BUSHING_RIGHT				1
29	40042148	PULLET_SHAFT_BUSHING_LEFT				1
30	B12173720BA	DRIVING GEAR (A) ASM.				1
31	26018309	OIL WICK				1

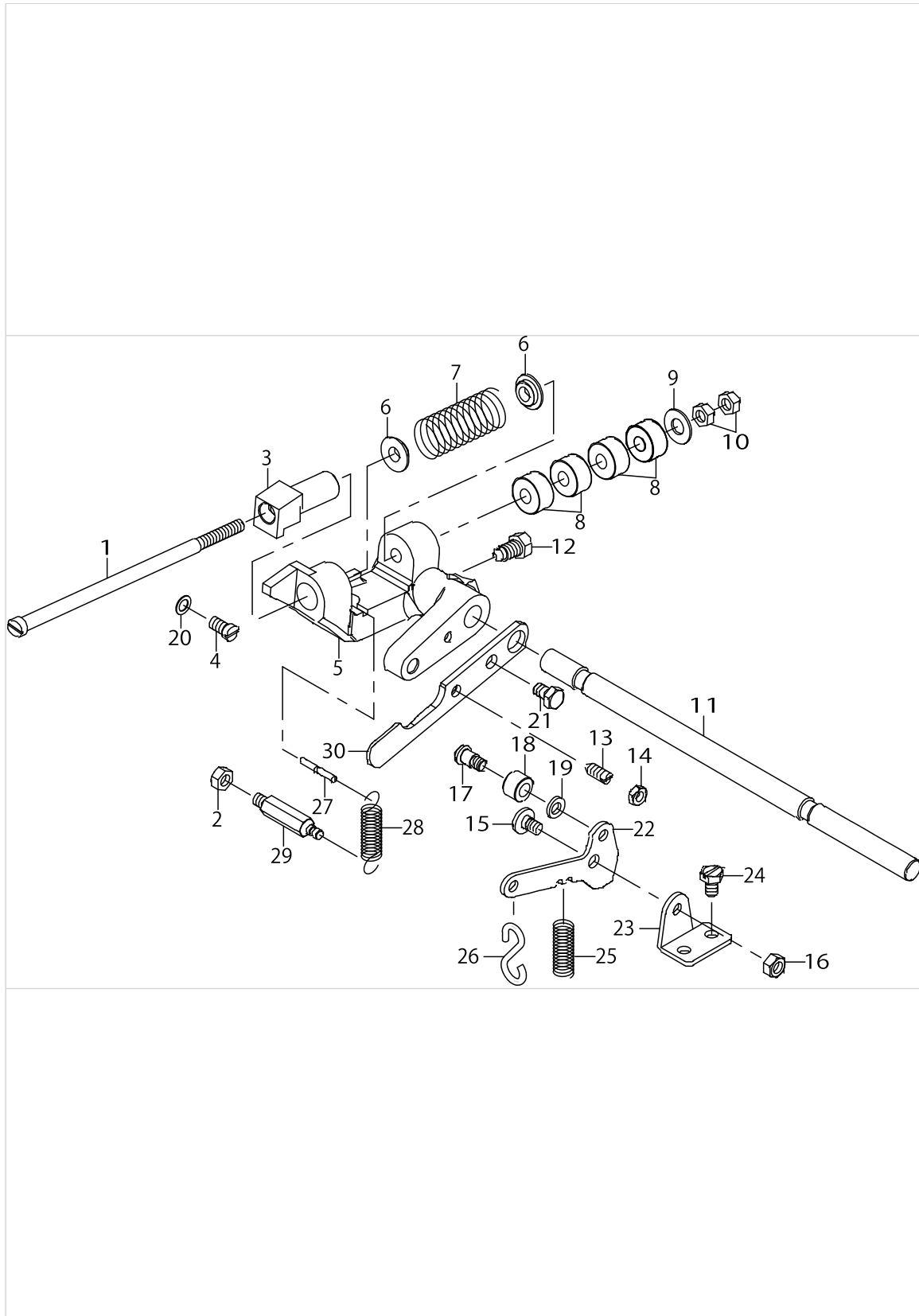
NEEDLE BAR DRIVING MECHANISM COMPONENTS



NEEDLE BAR DRIVING MECHANISM COMPONENTS

No.	Parts No.	Parts name	Remarks	Level	Cons	Qty
1	SS7080510TP	SCREW 1/8-44 L=4.5				1
2	14606107	NEEDLE ROD				1
3	26017707	NEEDLE BAR BUSHING LOWER				1
4	40040951	NEEDLE_BAR_BALANCE				1
5	40040952	NEEDLE_BAR_CLAMP				1
6	SM6041200SP	SCREW M4 L=12				1
7	40038142	NEEDLE_BAR_BUSHING_UPPER				1
8	40038120	NEEDLE_BAR_SLIDE_BLOCK_A	SELECTIVE PARTS			1
9	40038121	NEEDLE_BAR_SLIDE_BLOCK_B	SELECTIVE PARTS			1
10	40038122	NEEDLE_BAR_SLIDE_BLOCK_C	SELECTIVE PARTS			1
11	MTQ100B1600	NEEDLE TQX1 #16				1
12	40038117	NEEDLE_BAR_DRIVING_LEVER				1
13	SM9061403CP	SCREW M6 L=14				2
14	SD0950804TP	SHOULDER SCREW D=9.53 H=8				1
15	26018705	WASHER				1
16	CQ202000000	OIL WICK				0.1
17	SS2110920TP	SCREW 11/64-40 L=8.5				2
18	26018606	THRUST HOLDER				1
19	26018408	CRANK ROD				1
20	26018507	ECCENTRIC CAM				1
21	SS8660612TP	SCREW 1/4-40 L=6				1
22	SS8660942TP	SCREW 1/4-40 L= 8.5				1
23	26018309	OIL WICK				1
24	40041045	OIL_RETAINING_FELT				1
25	CQ2500000F0	OIL WICK				0.01

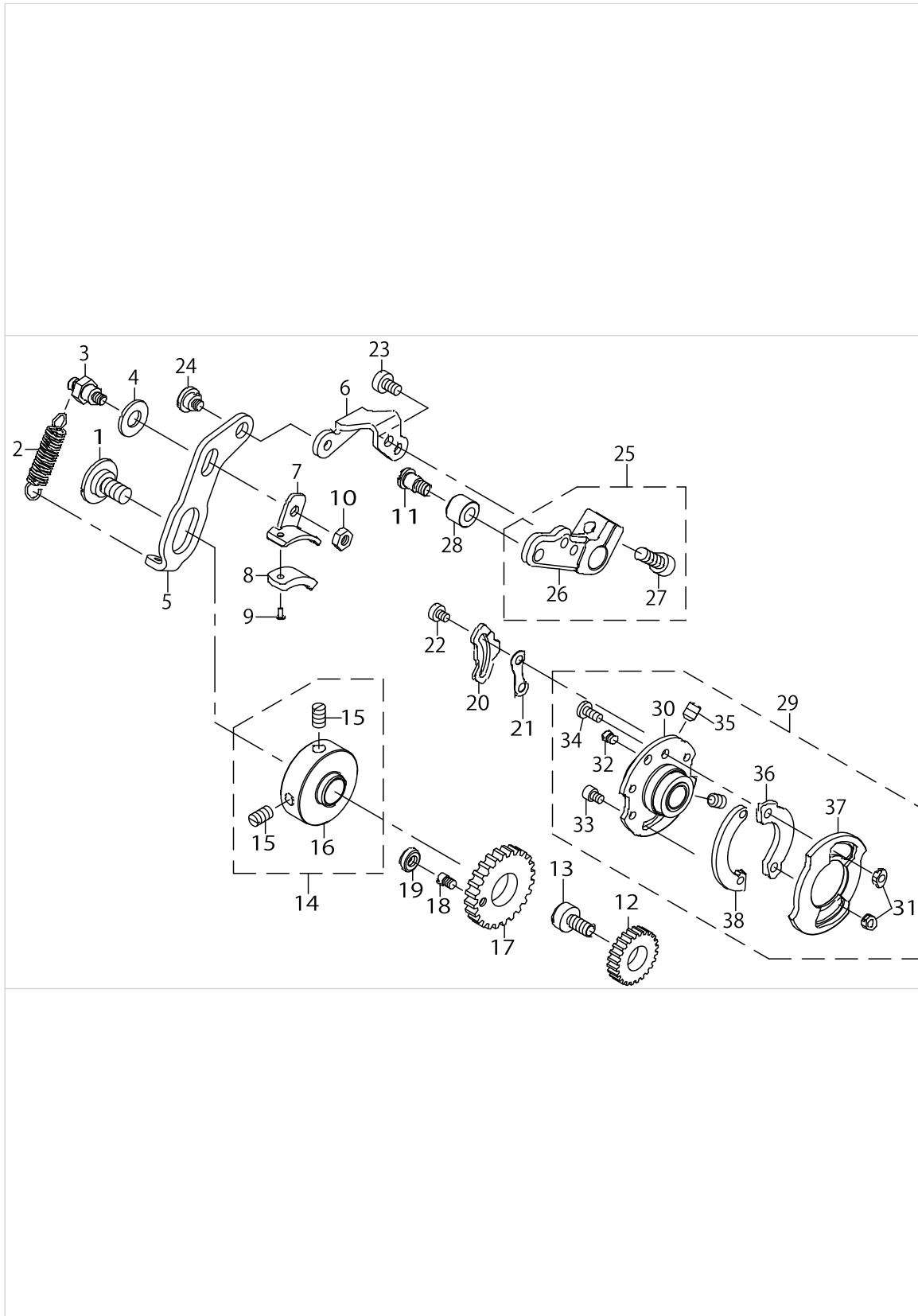
STOP MOTION MECHANISM COMPONENTS



STOP MOTION MECHANISM COMPONENTS

No.	Parts No.	Parts name	Remarks	Level	Cons	Qty
1	26027805	STOP MOTION PLUNGER ROD				1
2	NM6060003SP	NUT M6 TYPE3				1
3	40038118	CROSSING_HOOK				1
4	SM6061150TP	SCREW M6 L=11				1
5	40038270	STOP_MOTION_PLUNGER_LEVER				1
6	26229104	WASHER				2
7	40038110	STOP_MOTION_SPRING				30
8	B2608280000	RUBBER CUSHION				4
9	26030601	WASHER				1
10	NS6680410SP	NUT 9/32-28				2
11	40038448	STOP_MOTION_SHAFT				1
12	40042437	SCREW				1
13	SS8151570SP	SCREW 15/64-28 L=15.0				1
14	NS6150310SP	NUT 15/64-28				1
15	SD0680276TP	SHOULDER SCREW D=6.8 H=2.7				1
16	NM6060001CP	NUT M6				1
17	SD0800706TP	SHOULDER SCREW D=8 H=7				1
18	40087058	STITCH_ADJUSTING_ROLLER				1
19	WP0612066SP	WASHER 6.1X11X2				1
20	26019604	WASHER				1
21	SM9061003CP	SCREW M6 L=10				1
22	40038160	STOP_MOTION_TRIP_LEVER				1
23	26028308	STOP MOTION TRIP LEVER BRACKET				1
24	SM9061250TP	SCREW M6 L=12				2
25	22924906	OIL REGULATOR SCREW SPRING				1
26	13160304	S SHAPED HOOK				1
27	26028001	STOP MOTION LEVER SPRING PIN				1
28	40038410	STOP_MOTION_LEVER_SPRING				1
29	40040940	SCREW_STUD				1
30	B2611373N00	PRESSURE APPLYING LEVER				1

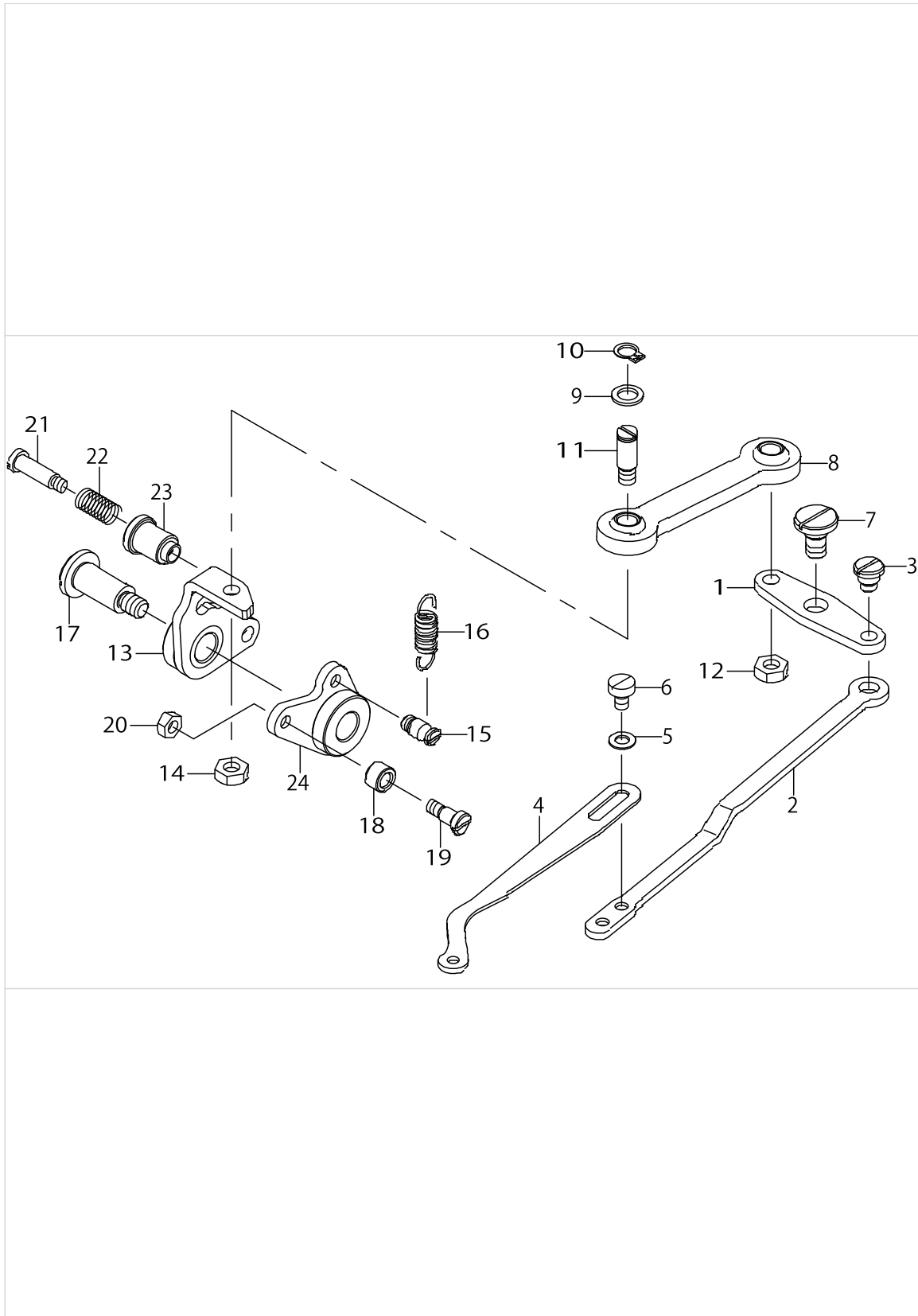
STITCH SELECTING PARTS COMPONENTS



STITCH SELECTING PARTS COMPONENTS

No.	Parts No.	Parts name	Remarks	Level	Cons	Qty
1	SD1270346TP	SHOULDER SCREW D=12.7 H=3.4				1
2	26030304	SPRING FOR FRICTION PLATE				1
3	26030007	FRICTION PLATE ROTATING SHAFT				1
4	WP0850002SP	WASHER 8.5X18X1.6				1
5	26030908	SPEED SLOWING LEVER				1
6	26031005	FITTING PLATE				1
7	26030106	FRICTION PLATE HOLDER				1
8	B2640372000	SPEED SLOWING FRICTION PLATE				1
9	B3211232000	POSITIONING PIN				2
10	NS6110310SP	NUT 11/64-40				1
11	SD0710706TP	SHOULDER SCREW D=7.14 H=7				1
12	B2629372000	STITCH SELECTING SPUR GEAR				1
13	40040943	INTERMEDIATE_GEAR_SHAFT				1
14	40040942	ASSY_SPEED_SLOWING_FRICTION_WHEEL				1
15	SM8061010TP	SCREW		*		2
16	40040944	SPEED_SLOWING_FRICTION_WHEEL		*		1
17	B2630372000A	GEAR,LARGE				1
18	B2631372000	SCREW				1
19	B2632372000A	ROLLER				1
20	40040946	THREAD_BIND_NOTCH				1
21	26030809	SPACER				1
22	SM6040560TP	SCREW M4X0.5 L=4.5				2
23	SM6050800SP	SCREW M5 L=8				2
24	SD0800341SP	HINGE SCREW D=8 H=3.4				1
25	40038269	STITCH_ADJUSTING_ARM_ASM.				1
26	40038271	STITCH_ADJUSTING_ARM		*		1
27	SM6061602TN	SCREW M6 L=16		*		1
28	26029207	STITCH ADJUSTING ROLLER				1
29	40041046	STITCH_ADJUSTING_CAM_A_ASSY				1
30	40041054	STITCH_ADJUSTING_CAM_A_ASM.		*		1
31	40041050	NUT		*		2
32	40038304	SCREW		*		1
33	SM6040502TP	SCREW M4X0.7 L=5		*		1
34	SS7090910TP	SCREW 9/64-40 L= 8.5		*		2
35	SM8060812TP	SCREW M6 L=8		*		2
36	40041048	SPACER		*		1
37	40041049	STITCH_CAM_A		*		1
38	40041051	STOP MOTION CAM SHOE		*		1

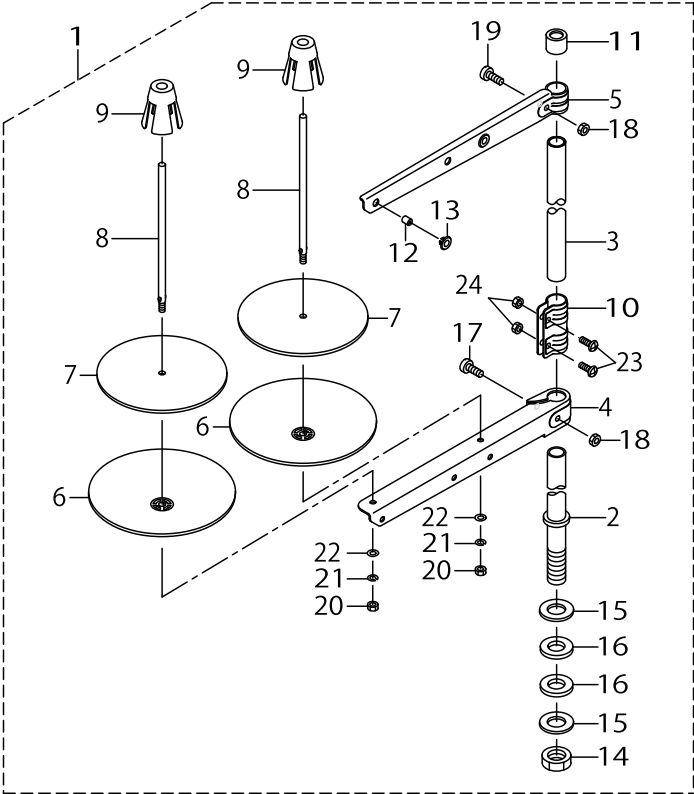
THREAD BIND NOTCH COMPONENTS(FOR MB-1377)



THREAD BIND NOTCH COMPONENTS(FOR MB-1377)

No.	Parts No.	Parts name	Remarks	Level	Cons	Qty
1	40038488	THREAD_BIND_LEVER				1
2	40038452	CONNECTING_PLATE_LARGE				1
3	SD0640328TP	SHOULDER SCREW D=6.35 H=3.2				1
4	40038486	CONNECTING_PLATE_SMALL				1
5	WP0430800SD	WASHER M4				2
6	SM6040650TP	SCREW				2
7	SD0720336SP	SHOULDER SCREW				1
8	D2509282A00	WORK CAMP FOOT BALL LINK				1
9	40038489	THREAD_BIND_LINK_SHAFT				2
10	WP0621026SP	WASHER 6.2X9.5X1				2
11	RC0560711KP	RETAINING RING				2
12	NM6050001SP	NUT M5				1
13	40038456	THREAD_BIND_ARM_B				1
14	NM6050001SP	NUT M5				1
15	40038494	THREAD_BIND_ARM_SPRING RAC				1
16	26017103	SPRING				1
17	SD0901806TP	SHOULDER SCREW				1
18	26017301	ROLLER				1
19	SD0460576TP	SHOULDER SCREW D=4.6 H=5.7				1
20	NM6040001SP	NUT M4X0.7				1
21	SD0481456TP	SHOULDER SCREW D=4.8 H=14.5				1
22	40038306	SPRING				1
23	40038305	STITCH_ADJUSTING_CAM_KNOB				1
24	40038455	ASS_THREAD_BIND_ARM_A				1

THREAD STAND COMPONENTS



THREAD STAND COMPONENTS

No.	Parts No.	Parts name	Remarks	Level	Cons	Qty
1	40096354	THREAD STAND ASM.				1
2	40085784	SPOOL REST ROD LOWER		*		1
3	40085785	SPOOL REST ROD UPPER		*		1
4	40085786	SPOOL REST ARM LOWER		*		1
5	40085787	SPOOL REST ARM UPPER		*		1
6	40085788	SPOOL REST		*		2
7	40085789	SPOOL REST CUSHION		*		2
8	40085790	SPOOL PIN		*		2
9	40085791	SPOOL RETAINER		*		2
10	40085792	SPOOL REST ROD JOINT		*		1
11	40085793	SPOOL REST ROD RUBBER CAP		*		1
12	40085794	THREAD GUIDE		*		2
13	40085795	THREAD GUIDE BUSHING		*		2
14	40096325	SPOOL REST ROD NUT		*		1
15	WP1612616SE	WASHER 16X30X2.6		*		2
16	40085796	SPOOL REST ROD RUBBER CUSHION		*		2
17	40096326	SPOOL REST ARM LOWER SCREW		*		1
18	NM6050001SE	NUT M5		*		2
19	40096327	SPOOL REST ARM UPPER SCREW		*		1
20	NM6050001SE	NUT M5		*		2
21	WS0510002KN	SPRING WASHER M5		*		2
22	WP0531001SC	WASHER M5		*		2
23	SM4051405SE	SCREW M5 L=14		*		2
24	NM6050001SE	NUT M5		*		2

TABLE & STAND COMPONENTS

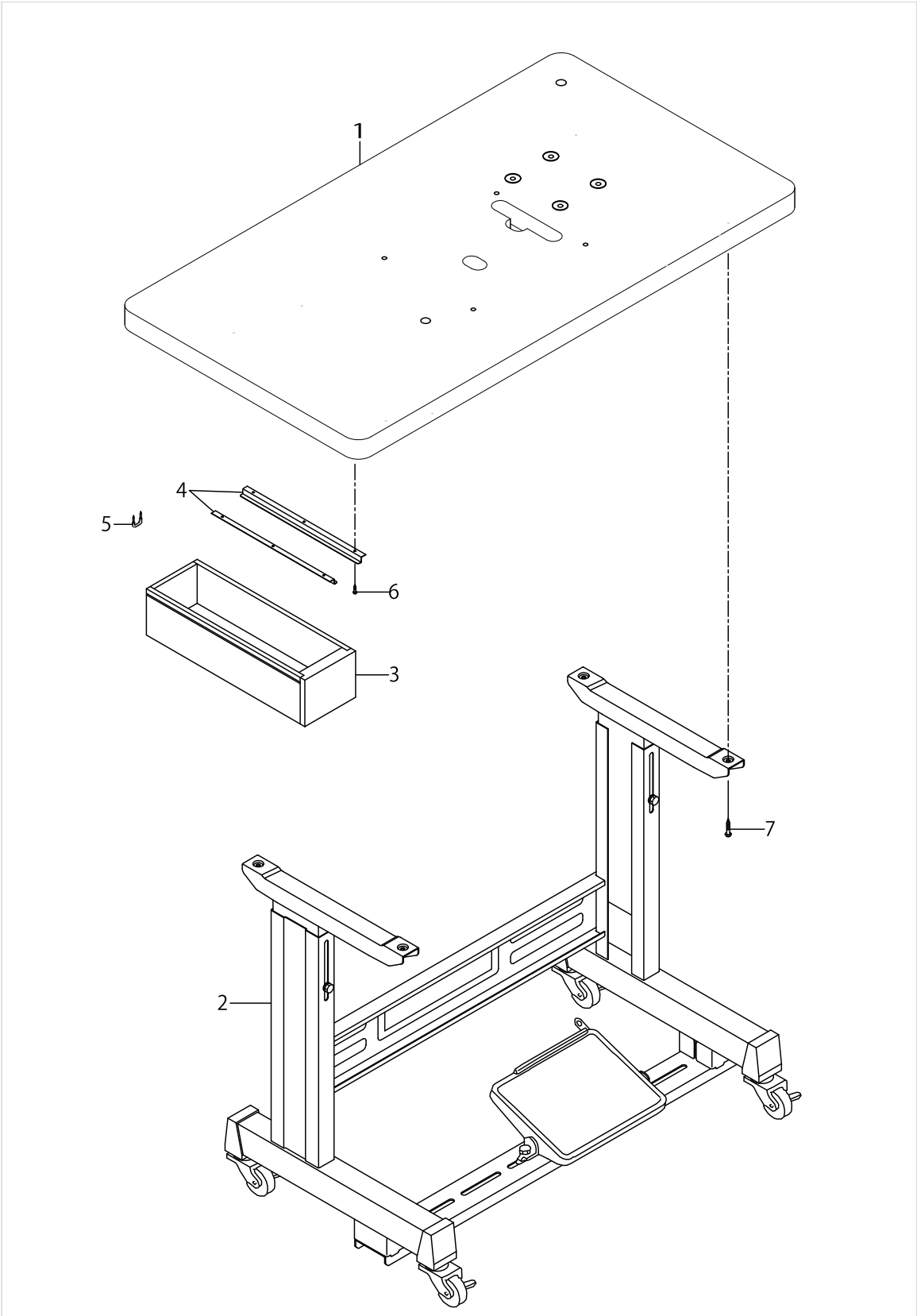
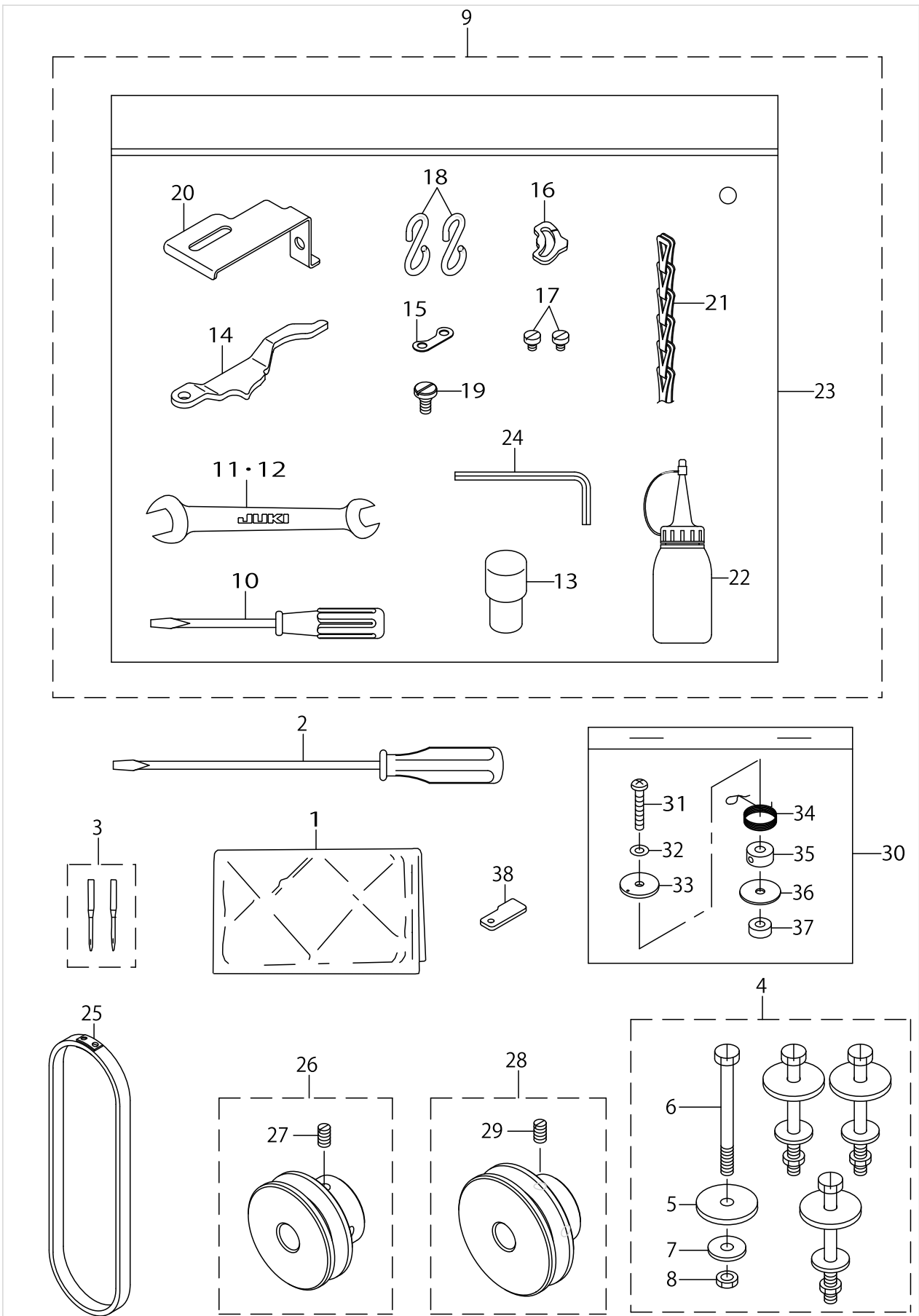


TABLE & STAND COMPONENTS

No.	Parts No.	Parts name	Remarks	Level	Cons	Qty
1	40040971	TABLE				1
2	11159365	T STAND JUNCTION				1
3	11155108	DRAWER				1
4	11155207	DRAWER SUPPORT				2
5	D8204555D00	DRAWER STOPPER				1
6	SK3311600SE	WOOD SCREW D=3.1 L=16				6
7	SK3483200SE	WOOD SCREW D=4.8 L=32				4

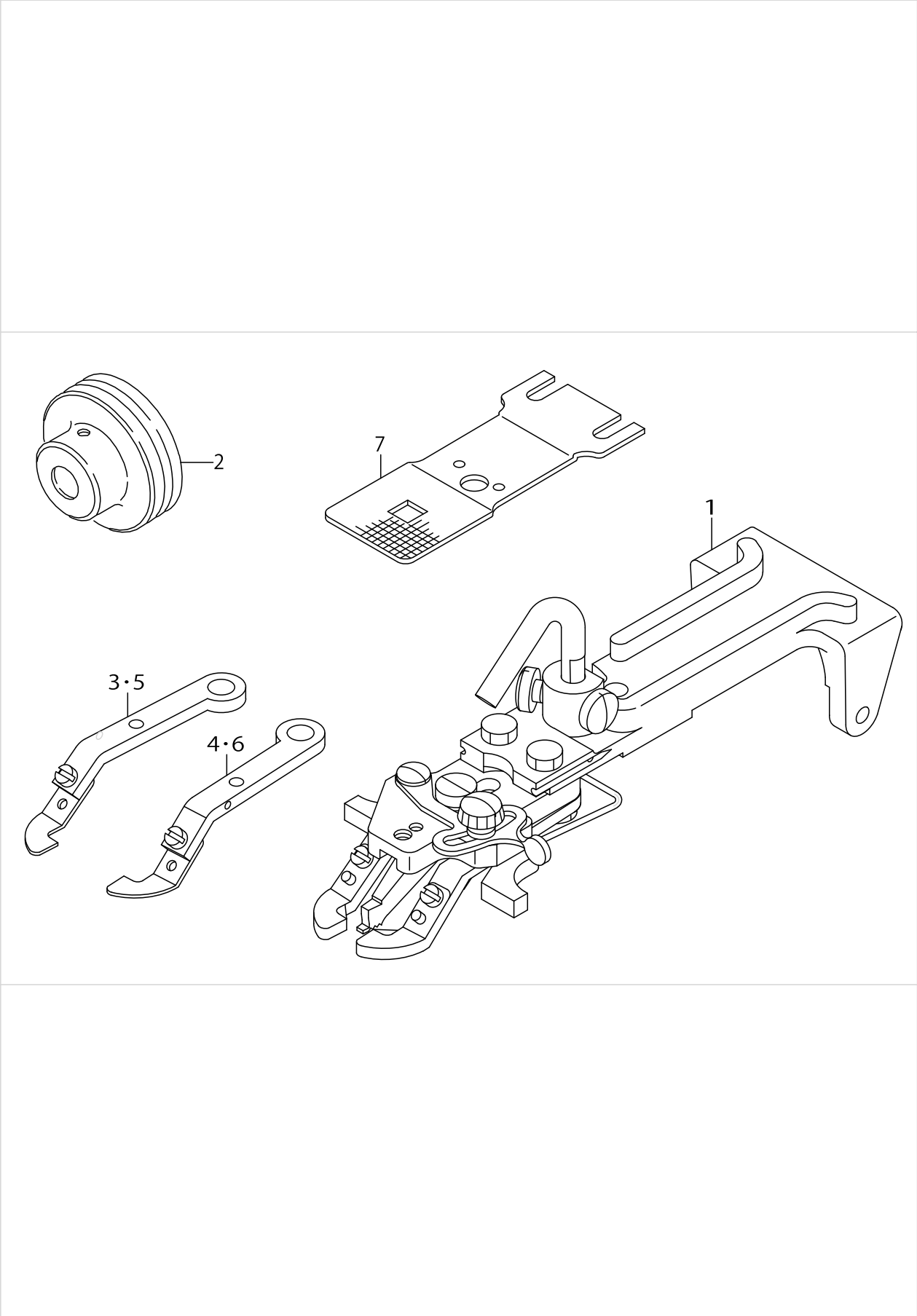
ACCESSORIE PARTS COMPONENTS



ACCESSORIE PARTS COMPONENTS

No.	Parts No.	Parts name	Remarks	Level	Cons	Qty
1	22933303	VINYL COVER				1
2	22933006	SCREW DRIVER,LARGE				1
3	MTQ700B1802	NEEDLE TQX7#18-2				1
4	40041072	BASE_SCREW_SET				1
5	40038174	RUBBER_CUSHION		*		4
6	SS9156830SP	SCREW 15/64-28 L=68		*		4
7	WP0612056SD	WASHER 6.1X18.5X2		*		4
8	NS6150310SP	NUT 15/64-28		*		4
9	40041073	ACCESSORIE_BAG_ASM.				1
10	22933105	SCREW DRIVER,MIDDLE		*		1
11	26233700	WRENCH		*		1
12	26034801	WRENCH		*		1
13	40033327	FRAME_SUPPORT_BAR		*		1
14	40038459	STITCH_NUMBER_LEVER		*		1
15	26030809	SPACER		*		1
16	40040946	THREAD_BIND_NOTCH		*		1
17	SM6040560TP	SCREW M4X0.5 L=4.5		*		2
18	13160304	S SHAPED HOOK		*		2
19	SD0600346TP	SHOULDER SCREW D=6 H=3.4		*		1
20	40038205	NEEDLE_BAR_GUARD		*		1
21	26037903	CHAIN		*		1
22	J1067000000	OILER		*		1
23	22932800	ACCESSORIE BAG		*		1
24	40055591	HEXAGONAL WRENCH KYE		*		1
25	MTJVM00000C	V ROPE 820MM (LACING)				1
26	40038286	MOTOR_PULLEY_60HZ_1300RPM_ASM.				1
27	SM8061010TP	SCREW		*		2
28	40038285	MOTOR_PULLEY_50HZ_1300RPM_ASM.				1
29	SM8061010TP	SCREW		*		2
30	40112426	THREAD_TENSION_NO3_ASSY				1
31	SM4042501SC	SCREW M4X0.7 L=25		*		1
32	WP0430801SE	WASHER 4.3X9X0.8		*		1
33	40112427	SPRING_BASE		*		1
34	B3105377B00	THREAD TAKE-UP SPRING		*		1
35	40040243	SPRING_HOOK		*		1
36	WP0451016SP	WASHER 4.5X20X1		*		1
37	D2063772B00	LOCKING CAM PLATE HOLDER		*		1
38	40041085	GAUGE				1

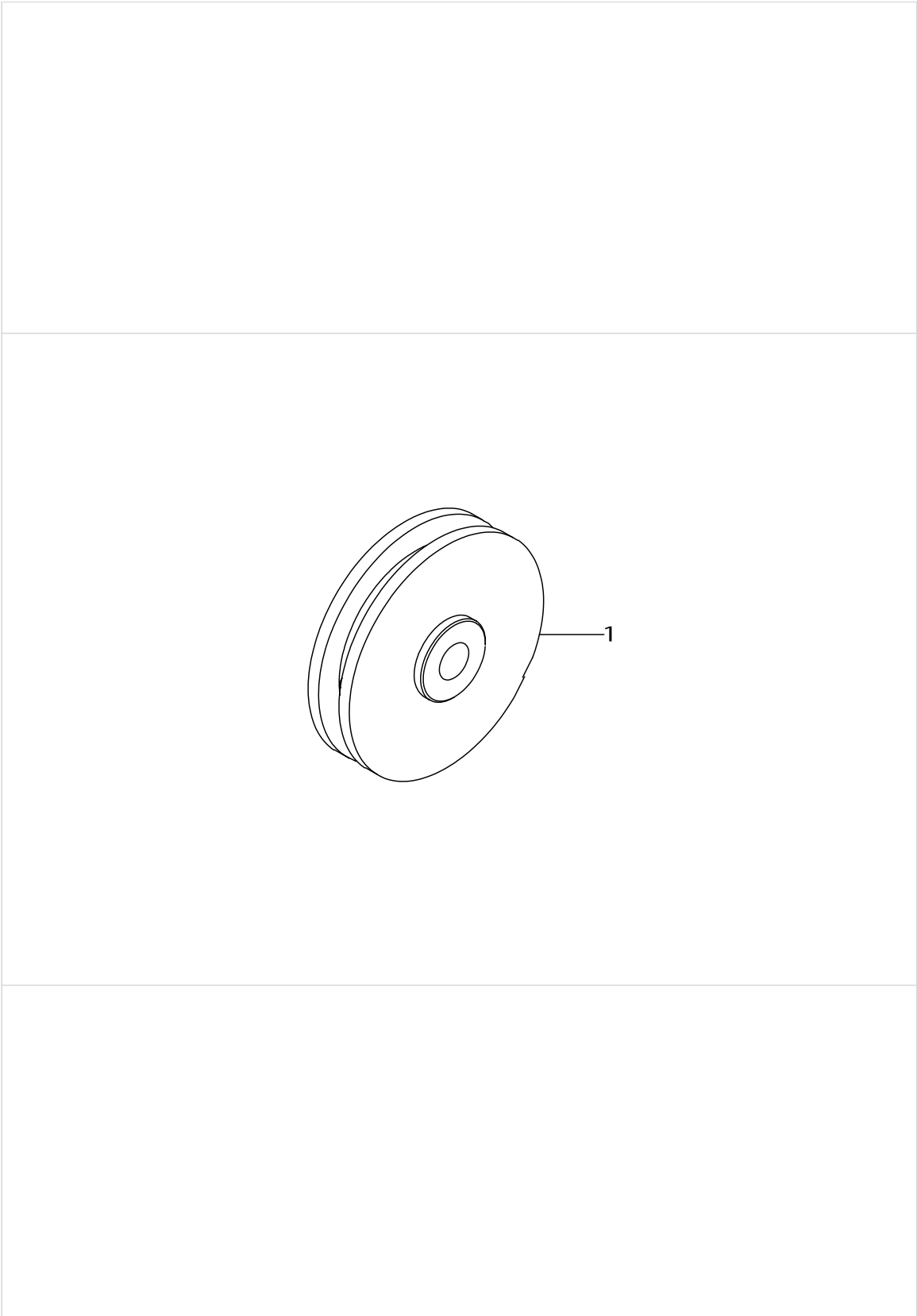
SPECIAL ORDER SPEC COMPONENTS



SPECIAL ORDER SPEC COMPONENTS

No.	Parts No.	Parts name	Remarks	Level	Cons	Qty
1	MAZ201010A0	PICK-UP DEVICE ASM. L BUTTON				1
2	40038290	MOTOR_PULLEY_50HZ_1500RPM_ASM				1
3	B25563720AA	BUTTON CLAMP JAW LEVER ASM., L				1
4	B25583720AA	BUTTON CLAMP JAW LEVER ASM., R				1
5	D2556372CAA	BUTTON CLAMP JAW LEVER ASM., L				1
6	D2558372CAA	BUTTON CLAMP JAW LEVER ASM., R				1
7	D2529373C00A	FEED PLATE, LARGE BUTTON				1

SUBCLASS COMPONENTS(FOR MB-1373-11)



SUBCLASS COMPONENTS(FOR MB-1373-11)

No.	Parts No.	Parts name	Remarks	Level	Cons	Qty
1	40041032	LENGTHWISE_FEED_CAM(X)				1

HOW TO MAKE USE OF THIS PARTS LIST

1.As to "#01" and "#02" refer to the "Note" given at the bottom of the respective pages.

2.Codes on the "Qty" column

- Each numeral indicates the number of parts required.
- "0.1" and "2.5" indicate the length (in meters) of the respective parts.

3.Parentheses mean that the corresponding part is a subpart that constructs an assembly part.

4.Dotted lines on the Figures indicate assembly parts.

1. リストページの# 0 1、# 0 2の印は、ページ下の"注記"の説明を参照下さい。
2. 数量欄の数字は、個数を表し、0. 1、2. 5等の数値は、長さ（単位メートル）を表します。
3. 数量欄の（ ）は、組部品を構成している子部品であることを意味します。
4. イラストページの-----枠は、組構成であることを意味します。

NUMERICAL INDEX OF PARTS

PART NO	PAGE	REF NO.	PART NO	PAGE	REF NO.	PART NO	PAGE	REF NO.
10510808	18	6~8	26019505	10	43	26030007	28	3
11155108	34	3	26019604	26	20	26030106	28	7
11155207	34	4	26019802	10	32	26030304	28	2
11159365	34	2	26019901	10	28	26030601	26	9
13160304	26	26	26020107	10	29	26030809	28	21
13160304	36	18	26020206	10	17	26030809	36	15
14606107	24	2	26020305	10	12	26030908	28	5
22921407	10	27	26020404	10	11	26031005	28	6
22924906	26	25	26020503	10	7	26031203	4	6
22932800	36	23	26020602	10	5	26031302	4	8
22933006	36	2	26021105	12	57	26031351	4	7
22933105	36	10	26021402	10	44	26031401	4	9
22933303	36	1	26021600	4	3	26031500	4	10
26000455	10	16	26021709	20	55	26031609	4	11
26000950	10	6	26022202	18	39	26031708	4	12
26003103	8	23	26022400	16	59	26032003	4	4
26005207	10	41	26022509	16	50	26032508	18	29
26005306	10	40	26022608	4	27·28	26033308	18	14
26011205	4	22	26022707	4	27·28	26033407	18	13
26012401	22	2	26023200	14	13	26033605	20	57
26012500	22	4	26024208	14	21	26033704	4	20
26012609	22	10	26024604	14	3	26034801	36	11·12
26012708	22	11	26024703	14	5	26037200	4	46
26013102	8	40	26024901	14	4	26037903	36	21
26013409	8	8	26025106	14	19	26229104	26	6
26013607	8	6	26025205	2	29	26233700	36	11·12
26013805	8	9	26025403	2	9	40033327	36	13
26015305	8	30	26025502	2	6	40038110	26	7
26015404	8	28	26025700	2	12	40038111	8	32
26015503	8	26	26025809	2	11	40038116	18	3
26017103	30	16	26025908	2	14	40038117	24	12
26017301	30	18	26026005	2	13	40038118	26	3
26017707	24	3	26026104	2	16	40038119	18	1
26018101	18	2	26026203	2	17	40038120	24	8~10
26018309	22	31	26026302	2	21	40038121	24	8~10
26018309	24	23	26026401	2	22	40038122	24	8~10
26018408	24	19	26026609	2	15	40038135	22	16
26018507	24	20	26026708	2	20	40038136	22	17
26018606	24	18	26026856	2	1	40038137	22	15
26018705	24	15	26027102	2	25	40038138	22	18
26019000	12	52	26027409	2	27	40038139	22	19
26019109	10	37	26027805	26	1	40038140	22	20
26019208	10	22	26028001	26	27	40038142	24	7
26019307	10	21	26028308	26	23	40038160	26	22
26019406	10	18	26029207	28	28	40038169	22	5

NUMERICAL INDEX OF PARTS

PART NO	PAGE	REF NO.	PART NO	PAGE	REF NO.	PART NO	PAGE	REF NO.
40038173	4	35	40038433	14	34	40040946	36	16
40038174	36	5	40038436	14	37·38	40040951	24	4
40038175	22	6	40038439	14	32	40040952	24	5
40038203	22	3	40038442	14	44	40040953	18	17
40038205	10	2	40038444	14	47	40040961	16	56
40038205	36	20	40038445	18	27	40040962	18	16
40038206	12	48	40038446	4	41	40040964	16	55
40038207	12	53	40038448	26	11	40040965	14	45
40038208	10	25	40038449	22	8	40040971	34	1
40038210	10	31	40038452	30	2	40041022	4	26
40038214	10	26	40038453	14	24	40041025	16	52
40038219	18	43	40038455	30	24	40041029	14	16
40038269	28	25	40038456	30	13	40041030	14	14
40038270	26	5	40038459	36	14	40041032	16	48·49
40038271	28	26	40038461	22	28	40041032	40	1
40038283	18	35	40038463	14	20	40041033	16	51
40038285	36	28	40038469	14	31	40041044	16	63
40038286	36	26	40038471	4	43	40041045	16	62
40038290	38	2	40038476	10	14	40041045	24	24
40038304	28	32	40038479	10	23	40041046	28	29
40038305	30	23	40038482	8	25	40041048	28	36
40038306	30	22	40038483	4	23	40041049	28	37
40038313	14	39·40	40038484	8	5	40041050	28	31
40038314	14	39·40	40038486	30	4	40041051	28	38
40038320	12	58	40038488	30	1	40041052	14	11
40038321	18	19	40038489	30	9	40041054	28	30
40038396	10	47	40038492	10	9	40041055	14	26~28
40038397	20	50	40038494	30	15	40041056	14	26~28
40038398	18	20	40038495	20	53	40041057	14	26~28
40038400	8	10	40038496	14	17	40041058	2	2
40038403	8	11	40038498	14	7	40041061	14	35
40038404	10	38	40038499	14	9	40041067	4	32
40038405	10	42	40038502	18	36	40041069	2	28
40038408	10	39	40040243	36	35	40041072	36	4
40038410	26	28	40040931	4	16	40041073	36	9
40038413	18	31	40040932	4	18	40041077	10	8
40038414	18	30	40040935	4	39	40041085	36	38
40038424	4	37	40040936	4	38	40041106	8	22
40038425	4	30	40040937	2	32	40042081	16	58
40038426	4	1	40040938	2	24	40042148	22	29
40038428	18	38	40040940	26	29	40042279	14	37·38
40038429	18	45	40040942	28	14	40042281	14	41
40038430	4	31	40040943	28	13	40042437	26	12
40038431	4	24	40040944	28	16	40054729	4	44
40038432	14	33	40040946	28	20	40054730	4	45

NUMERICAL INDEX OF PARTS

PART NO	PAGE	REF NO.	PART NO	PAGE	REF NO.	PART NO	PAGE	REF NO.
40055591	36	24	B25563720AA	38	3·5	NM6050001SP	30	14
40085784	32	2	B25583720AA	38	4·6	NM6060001CP	2	31
40085785	32	3	B2608280000	26	8	NM6060001CP	10	33
40085786	32	4	B2611373N00	26	30	NM6060001CP	14	6
40085787	32	5	B2629372000	28	12	NM6060001CP	26	16
40085788	32	6	B2630372000A	28	17	NM6060001SE	12	56
40085789	32	7	B2631372000	28	18	NM6060003SP	22	25
40085790	32	8	B2632372000A	28	19	NM6060003SP	26	2
40085791	32	9	B2640372000	28	8	NM6080021SP	18	44
40085792	32	10	B2702377000	8	17	NS6110310SP	28	10
40085793	32	11	B27033770A0	8	16	NS6150310SP	20	49
40085794	32	12	B3105377B00	36	34	NS6150310SP	26	14
40085795	32	13	B3211232000	28	9	NS6150310SP	36	8
40085796	32	16	B4411372000	18	15	NS6620310SP	20	48
40087058	26	18	B4420373000	18	11	NS6680410SP	26	10
40096325	32	14	CM301300001	4	17	PS0300162KH	10	34
40096326	32	17	CM500200001	22	22	PS0500102KH	6	50
40096327	32	19	CQ202000000	24	16	RC0560711KP	30	11
40096354	32	1	CQ2500000F0	24	25	RE0200000K0	4	13
40097991	8	34	CQ252000000	16	67	RE0320000K0	6	51
40098330	14	23	CQ3000000F0	16	65	SD0402001TP	10	10
40098872	8	33	CS0790721TH	8	2	SD0460576TP	30	19
40112426	36	30	CS079072ATH	8	1	SD0481456TP	30	21
40112427	36	33	CS0950810SH	18	24	SD0550181SP	2	10
40120628	18	23	CS0950816SH	18	25	SD0550301SP	2	8
B1161227000	14	25	D2063772B00	36	37	SD0600095TH	8	21
B1203372000	22	1	D2509282A00	30	8	SD0600277TP	4	36
B1208372000	22	14	D2529373B00A	14	1·29	SD0600346TP	36	19
B1215372A00	8	39	D2529373C00A	38	7	SD0640211SP	18	33
B1215372B00	22	26	D2556372CAA	38	3·5	SD0640246SP	8	12
B12173720BA	22	30	D2558372CAA	38	4·6	SD0640323TP	18	46
B1220372000	8	44	D8204555D00	34	5	SD0640328TP	30	3
B1221373N00	8	42	EA9500B0100	16	66	SD0640391TP	2	18
B1221373NA0	8	41	J1067000000	36	22	SD0640481SP	14	22
B12243720A0	8	37	MAZ201010A0	38	1	SD0640481SP	18	22
B1239372000	8	46	MTJVM00000C	36	25	SD0640486TP	16	53
B12413770A0	8	15	MTQ100B1600	24	11	SD0640976TP	14	46
B12413770B0	8	14	MTQ700B1802	36	3	SD0641322TP	20	56
B1243372000	22	9	NM6030001SN	10	4	SD0680276TP	26	15
B1632180000	18	40	NM6040001SP	30	20	SD0710706TP	28	11
B24063730A0	8	20	NM6040002SN	10	45	SD0720336SP	30	7
B2410373000	8	18	NM6050001SE	32	24	SD0790316TP	20	51
B2506373000A	16	48·49	NM6050001SP	14	12	SD0790402TP	18	47
B2529373000	14	1·29	NM6050001SP	18	52	SD0790806TP	10	15
B2541372000	2	30	NM6050001SP	20	52	SD0791276TP	10	3

NUMERICAL INDEX OF PARTS

PART NO	PAGE	REF NO.	PART NO	PAGE	REF NO.	PART NO	PAGE	REF NO.
SD0791506TP	10	13	SM8060612TP	18	21	WP0501016SD	2	5
SD0800341SP	28	24	SM8060812TP	28	35	WP0501016SD	12	60
SD0800706TP	26	17	SM8061010TP	8	31	WP0501016SD	14	30
SD0901806TP	30	17	SM8061010TP	18	28	WP0510516SD	18	41
SD0950804TP	24	14	SM8061010TP	22	27	WP0531001SC	32	22
SD1270346TP	28	1	SM8061010TP	28	15	WP0550800SP	12	49
SK3311600SE	34	6	SM8061010TP	36	29	WP0612056SD	36	7
SK3483200SE	34	7	SM8061212TP	14	18	WP0612066SP	26	19
SM1040870TP	8	36	SM8080812TP	22	23	WP0621026SP	22	13
SM1040950TP	8	7	SM8081752TP	22	24	WP0621026SP	30	10
SM4040655SP	4	47	SM9050813SE	14	36	WP0703516SP	18	12
SM4040655SP	14	42	SM9061003CP	26	21	WP0751576SD	18	10
SM4040855SP	4	34	SM9061250TP	26	24	WP0850002SP	28	4
SM4042501SC	36	31	SM9061403CP	12	55	WP0851216SC	18	6~8
SM4050855SP	14	43	SM9061403CP	24	13	WP1612616SE	32	15
SM4051405SE	32	23	SS2110920TP	24	17	WS0510002KN	32	21
SM4061255SP	10	46	SS6660712TP	8	43	WS0650389KP	4	29
SM6030402TP	20	58	SS7080310SP	8	19			
SM6040502TP	28	33	SS7080510TP	24	1			
SM6040560TP	28	22	SS7090410SP	2	19			
SM6040560TP	36	17	SS7090620TP	8	3			
SM6040600SP	4	33	SS7090910TP	28	34			
SM6040600SP	12	59	SS7150940SP	2	23			
SM6040650TP	4	5	SS8110310SP	8	29			
SM6040650TP	30	6	SS8110410TP	8	24			
SM6040800SP	8	4	SS8110410TP	18	26			
SM6040800SP	10	35	SS8110422TP	8	35			
SM6041200SP	24	6	SS8150410TP	8	27			
SM6050800SP	4	21	SS8151570SP	26	13			
SM6050800SP	16	61	SS8660612TP	8	45			
SM6050800SP	28	23	SS8660612TP	24	21			
SM6051400SP	12	51	SS8660942TP	24	22			
SM6051600SP	18	32	SS8681412TP	16	60			
SM6060550TP	22	21	SS9120643TP	14	2			
SM6061002TP	18	37	SS9156830SP	36	6			
SM6061150TP	26	4	SS9621413SP	2	4			
SM6061602TN	28	27	TA1250406R0	6	49			
SM6062450TP	22	12	TA2050406R0	4	15			
SM6083042CH	4	19	WP0330501SB	18	34			
SM7051460TP	12	50	WP0430800SD	6	48			
SM7051460TP	20	54	WP0430800SD	30	5			
SM8040612TP	22	7	WP0430801SE	36	32			
SM8060552TP	16	57	WP0450801SP	10	36			
SM8060610TP	4	25	WP0450846SP	12	54			
SM8060612TP	4	42	WP0451016SP	36	36			