

MODEL : IP-110(A)/110(D)

List No : 1485-01

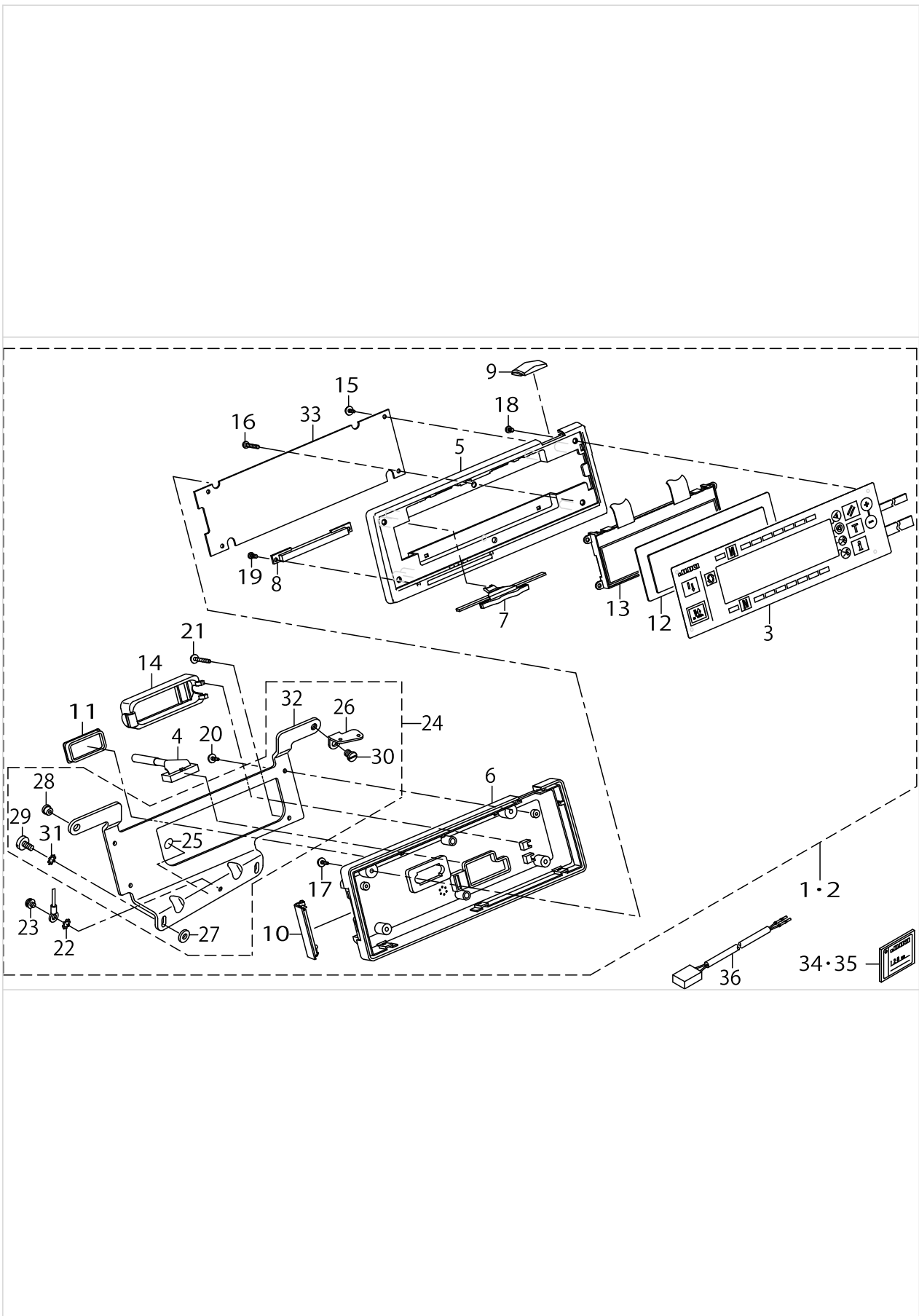
PARTS LIST

Published:09/10/2017

CONTENTS

OPERATIONAL PANEL.....	1
HOW TO MAKE USE OF THIS PARTS LIST	3

OPERATIONAL PANEL



OPERATIONAL PANEL

No.	Parts No.	Parts name	Remarks	Level	Cons	Qty
1	40054940	IP-110 TYPE-A COMPLETE	FOR IP-110(A)			1
2	40054943	IP-110 TYPE-D COMPLETE	FOR IP-110(D)			1
3	40055194	PANEL SHEET ASSY		*		1
4	40005902	PANEL CABLE B ASM.		*		1
5	40055002	FRONT PANEL		*		1
6	40055005	BACK PANEL		*		1
7	40005844	SPEED ADJUSTING KNOB		*		1
8	40005845	SPEED KNOB SUPPORT		*		1
9	40005846	INDICATION WINDOW		*		1
10	40055007	MEDIA COVER		*		1
11	40005848	D-SUB 9P COVER		*		1
12	40005847	LCD COVER		*		1
13	KG000000100	LCD		*		1
14	M1003371000	CORD EXIT COVER		*		1
15	SV4030802SN	TAPPING SCREW WITH FLANGE M3X8		*		3
16	SM4032001SC	SCREW M3X0.5 L=20		*		1
17	SV4030802SN	TAPPING SCREW WITH FLANGE M3X8		*		2
18	SM4030601SC	SCREW M3 X 6		*		3
19	ST4030851SN	SCREW		*		2
20	SV4031001SN	TAPPING SCREW		*		2
21	SV4032502SN	TAPPING SCREW		*		2
22	WT0430002KE	TOOTHED WASHER		*		1
23	SL4040691SC	SCREW M4 L=6		*		1
24	40005903	PANEL BRACKET ASM.		*		1
25	22901805	GROUND MARK		*		1
26	B1111232000	THREAD GUIDE PLATE		*		1
27	B1144771000	FRAME SIDE COVER GASKET (C)		*		2
28	B3319704L00	THREAD GUIDE		*		1
29	SS6121030SN	SCREW 3/16-28 L=10		*		2
30	SS7150740SP	SCREW 15/64-28 L=7		*		1
31	WT0530002KS	TOOTHED WASHER D=5.3		*		2
32	40005861	PANEL BRACKET A		*		1
33	40046138	PANEL PCB ASSY		*		1
34	40055293	COMPACTFLASH(TM) TYPE A	FOR IP-110(A) OPTIONAL PARTS			1
35	40055295	COMPACTFLASH(TM) TYPE D	FOR IP-110(D) OPTIONAL PARTS			1
36	40008168	OP SWITCH CABLE A ASSY				1

HOW TO MAKE USE OF THIS PARTS LIST

1.Explanation of codes

1)"*"mark.....means this part is changed from the previous parts book.

As to the details of the change, refer to the "List for information of change".

2)"#01".....refer to 'Note' explanation at bottom of page.

2.Codes on the "Qty" column

• Each numeral indicates the number of parts required.

• "0.1" and "2.5" indicate the length (in meters) of the respective parts.

3.Parentheses mean that the corresponding part is a subpart that constructs an assembly part.

4.Dotted lines on the Figures indicate assembly parts.

5.As to the parts with marks of "☆"(consumable parts) and "◎"(optional parts)on the respective parts, it is recommended to prepare spares.

1 ."注記"欄の記号説明

1) "*"印.....前回のパーツブックに比較して今回変更された部品を意味します。

変更内容は、"変更情報リスト"を参照してください。

2) "#01".....ページ下の"注記"の説明を参照してください。

2.数量欄の数字は、個数を表し、0.1、2.5等の数値は、長さ（単位メートル）を表します。

3.数量欄の（ ）は、組部品を構成している子部品であることを意味します。

4.イラストページの-----枠は、組構成であることを意味します。

5.リストページの"☆"（消耗部品）、"◎"（オプション部品）の印がついた部品は、予備を準備しておくことをお勧めします。

※"コンパクトフラッシュ（TM）"は米国サンディスク社の登録商標です。

*"CompactFlash(TM)"is the registered trademark of SanDisk Corporation,U.S.A

NUMERICAL INDEX OF PARTS

PART NO	PAGE	REF NO.
22901805	2	25
40005844	2	7
40005845	2	8
40005846	2	9
40005847	2	12
40005848	2	11
40005861	2	32
40005902	2	4
40005903	2	24
40008168	2	36
40046138	2	33
40054940	2	1·2
40054943	2	1·2
40055002	2	5
40055005	2	6
40055007	2	10
40055194	2	3
40055293	2	34·35
40055295	2	34·35
B1111232000	2	26
B1144771000	2	27
B3319704L00	2	28
KG000000100	2	13
M1003371000	2	14
SL4040691SC	2	23
SM4030601SC	2	18
SM4032001SC	2	16
SS6121030SN	2	29
SS7150740SP	2	30
ST4030851SN	2	19
SV4030802SN	2	17
SV4031001SN	2	20
SV4032502SN	2	21
WT0430002KE	2	22
WT0530002KS	2	31