

MODEL : CP-170

List No : 1475-03

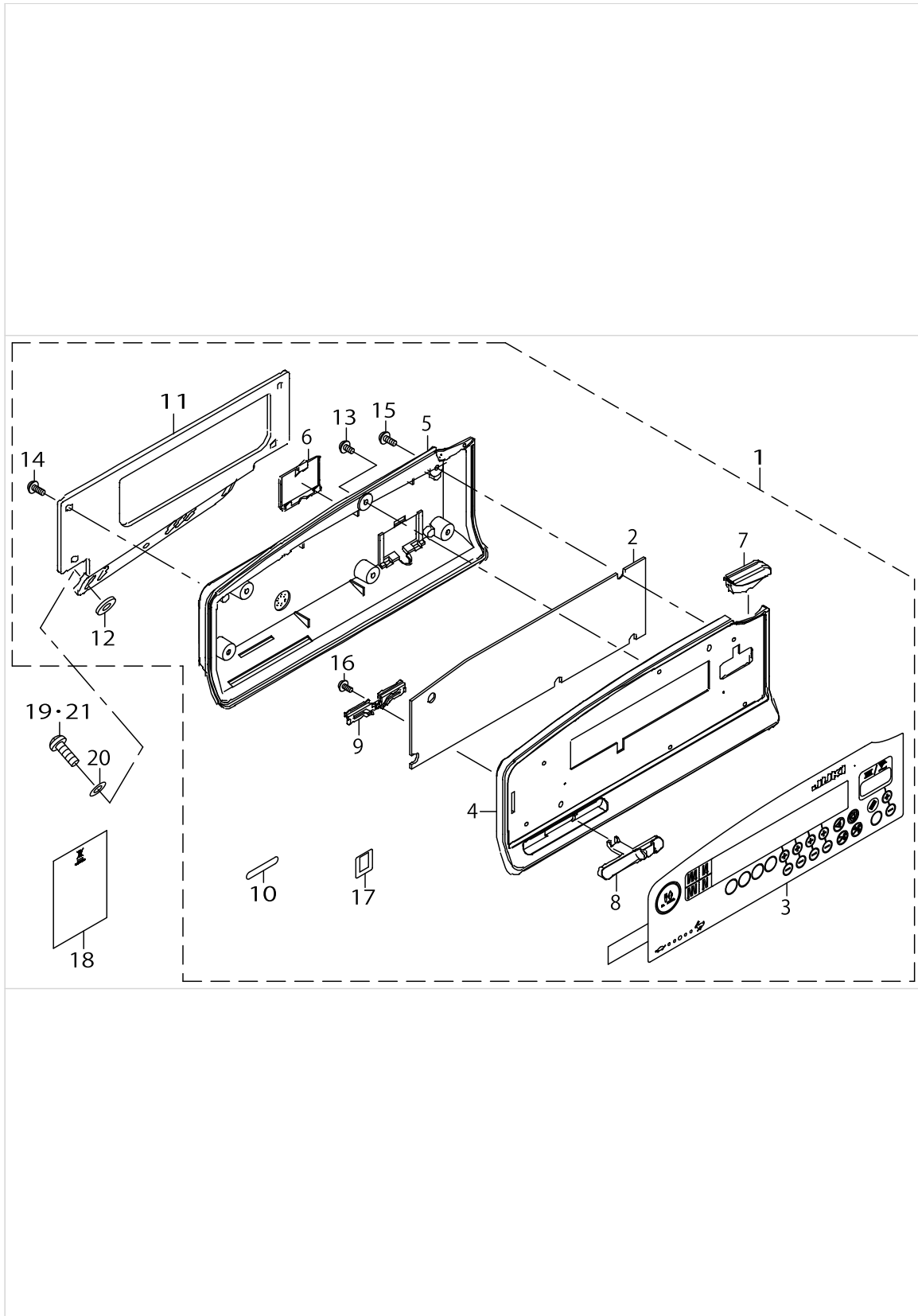
# PARTS LIST

Published:09/10/2017

## CONTENTS

---

CP-170.....	1
HOW TO MAKE USE OF THIS PARTS LIST .....	3



CP-170

No.	Parts No.	Parts name	Remarks	Level	Cons	Qty
1	40050623	CP-170 TYPE-A				1
2	40044602	CP PCB ASSY		*		1
3	40044606	MEMBRANE SWITCH		*		1
4	40044607	FRONT COVER		*		1
5	40044608	REAR COVER		*		1
6	40044609	END COVER		*		1
7	40044610	INDICATER		*		1
8	40044611	VOLUME KNOB A		*		1
9	40044612	VOLUME KNOB B		*		1
10	40044616	TYPE LABEL A		*		1
11	40061614	PANEL BRACKET		*		1
12	B1144771000	FRAME SIDE COVER GASKET (C)		*		4
13	ST4030651SN	SCREW M3 X 6		*		1
14	SV4030802SN	TAPPING SCREW WITH FLANGE M3X8		*		4
15	SV4030802SN	TAPPING SCREW WITH FLANGE M3X8		*		5
16	ST4850651SN	TAPPING SCREW D=2.5 L=6		*		1
17	CM600100101	WEEE MARK LABEL S		*		1
18	CM600100201	WEEE INFORMATION SHEET				1
19	SS4121215SP	SCREW 3/16-28 L=12	FOR DDL-8700,DLN-9010, DDL-55- ** DDL-55 * *用			2
20	WP0501016SD	WASHER 5X10.5X1				4
21	SM4051255SP	SCREW.,M5 L=12.	FOR DDL-9000A			2

## HOW TO MAKE USE OF THIS PARTS LIST

1.As to "#01" and "#02" refer to the "Note" given at the bottom of the respective pages.

2.Codes on the "Qty" column

- Each numeral indicates the number of parts required.
- "0.1" and "2.5" indicate the length (in meters) of the respective parts.

3.Parentheses mean that the corresponding part is a subpart that constructs an assembly part.

4.Dotted lines on the Figures indicate assembly parts.

1. リストページの# 0 1、# 0 2の印は、ページ下の"注記"の説明を参照下さい。
2. 数量欄の数字は、個数を表し、0. 1、2. 5等の数値は、長さ（単位メートル）を表します。
3. 数量欄の（ ）は、組部品を構成している子部品であることを意味します。
4. イラストページの-----枠は、組構成であることを意味します。

## NUMERICAL INDEX OF PARTS

PART NO	PAGE	REF NO.
40044602	2	2
40044606	2	3
40044607	2	4
40044608	2	5
40044609	2	6
40044610	2	7
40044611	2	8
40044612	2	9
40044616	2	10
40050623	2	1
40061614	2	11
B1144771000	2	12
CM600100101	2	17
CM600100201	2	18
SM4051255SP	2	19-21
SS4121215SP	2	19-21
ST4030651SN	2	13
ST4850651SN	2	16
SV4030802SN	2	15
WP0501016SD	2	20