

MODEL : IP-110

List No : 1469-01

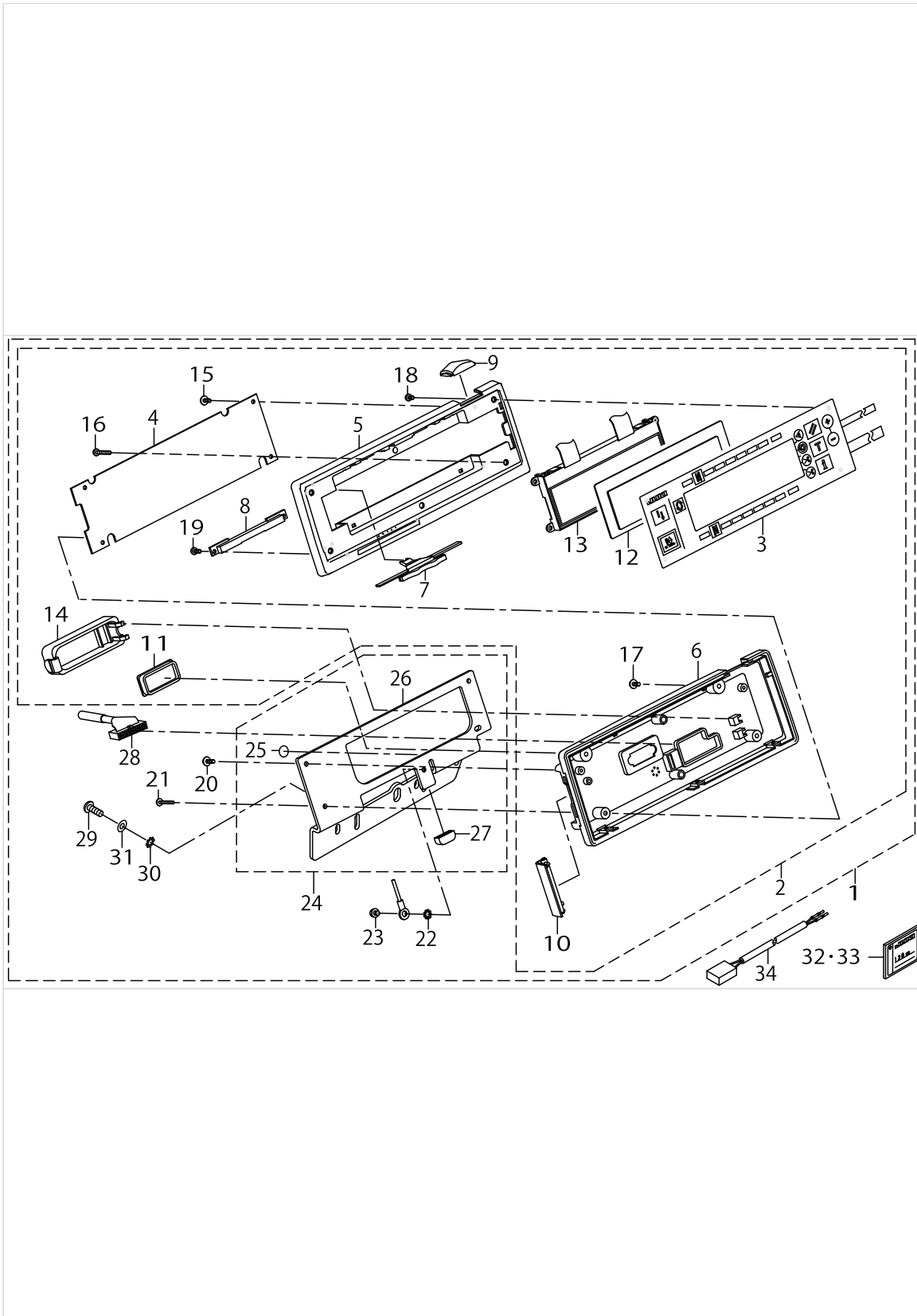
PARTS LIST

Published:09/10/2017

CONTENTS

IP-110 TYPE-B COMPLETE	1
IP-110 TYPE-C COMPLETE	3
HOW TO MAKE USE OF THIS PARTS LIST	5

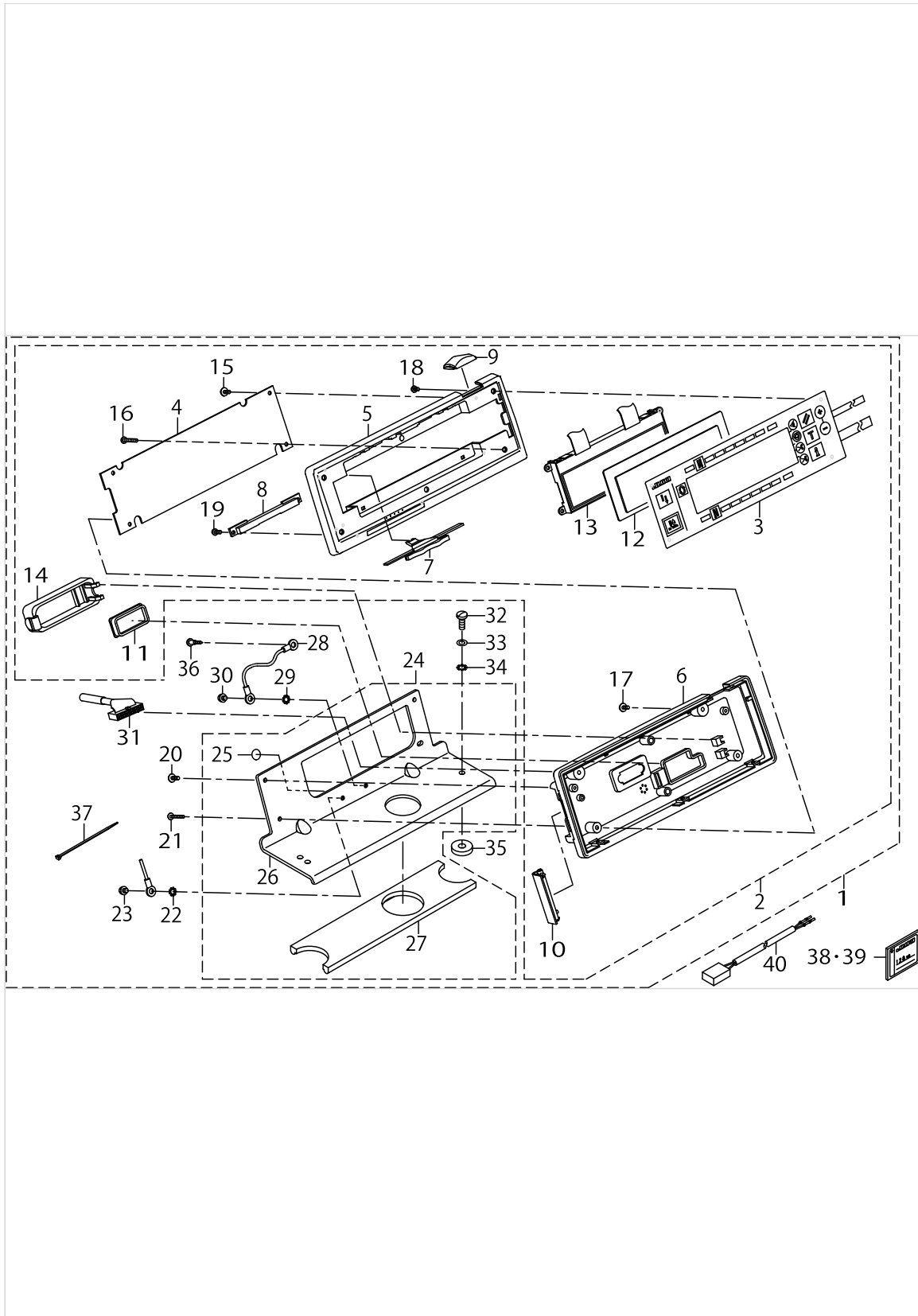
IP-110 TYPE-B COMPLETE



IP-110 TYPE-B COMPLETE

No.	Parts No.	Parts name	Remarks	Level	Cons	Qty
1	40054941	IP-110 TYPE-B COMPLETE				1
2	40055183	IP-110 TYPE-B ASSY		*		1
3	40055194	PANEL SHEET ASSY		*		1
4	40046138	PANEL PCB ASSY		*		1
5	40055002	FRONT PANEL		*		1
6	40055005	BACK PANEL		*		1
7	40005844	SPEED ADJUSTING KNOB		*		1
8	40005845	SPEED KNOB SUPPORT		*		1
9	40005846	INDICATION WINDOW		*		1
10	40055007	MEDIA COVER		*		1
11	40005848	D-SUB 9P COVER		*		1
12	40005847	LCD COVER		*		1
13	KG000000140	LCD		*		1
14	M1003371000	CORD EXIT COVER		*		1
15	SV4030802SN	TAPPING SCREW WITH FLANGE M3X8		*		3
16	SM4032001SC	SCREW M3X0.5 L=20		*		1
17	SV4030802SN	TAPPING SCREW WITH FLANGE M3X8		*		2
18	SM4030601SC	SCREW M3 X 6		*		3
19	ST4030851SN	SCREW		*		2
20	SV4031001SN	TAPPING SCREW		*		2
21	SV4032502SN	TAPPING SCREW		*		2
22	WT0430002KE	TOOTHED WASHER		*		1
23	SL4040691SC	SCREW M4 L=6		*		1
24	40008143	PANEL BRACKET B ASSY		*		1
25	10004109	GROUND MARK		*		1
26	40008142	PANEL BRACKET B		*		1
27	M1010110000	BRACKET RUBBER CAP		*		1
28	40008594	PANEL CABLE C ASSY		*		1
29	SS4121415SP	SCREW 3/16-28 L=14		*		2
30	WT0530002KS	TOOTHED WASHER D=5.3		*		2
31	WP0501016SD	WASHER 5X10.5X1		*		2
32	40055294	COMPACTFLASH(TM) TYPE B	OPTIONAL PARTS			1
33	40000100	COMPACTFLASH(TM)	OPTIONAL PARTS			1
34	40008168	OP SWITCH CABLE A ASSY	OPTIONAL PARTS			1

IP-110 TYPE-C COMPLETE



IP-110 TYPE-C COMPLETE

No.	Parts No.	Parts name	Remarks	Level	Cons	Qty
1	40054942	IP-110 TYPE-C COMPLETE				1
2	40055184	IP-110 TYPE-C ASSY		*		1
3	40055194	PANEL SHEET ASSY		*		1
4	40046138	PANEL PCB ASSY		*		1
5	40055002	FRONT PANEL		*		1
6	40055005	BACK PANEL		*		1
7	40005844	SPEED ADJUSTING KNOB		*		1
8	40005845	SPEED KNOB SUPPORT		*		1
9	40005846	INDICATION WINDOW		*		1
10	40055007	MEDIA COVER		*		1
11	40005848	D-SUB 9P COVER		*		1
12	40005847	LCD COVER		*		1
13	KG000000140	LCD		*		1
14	M1003371000	CORD EXIT COVER		*		1
15	SV4030802SN	TAPPING SCREW WITH FLANGE M3X8		*		3
16	SM4032001SC	SCREW M3X0.5 L=20		*		1
17	SV4030802SN	TAPPING SCREW WITH FLANGE M3X8		*		2
18	SM4030601SC	SCREW M3 X 6		*		3
19	ST4030851SN	SCREW		*		2
20	SV4031001SN	TAPPING SCREW		*		2
21	SV4032502SN	TAPPING SCREW		*		2
22	WT0430002KE	TOOTHED WASHER		*		1
23	SL4040691SC	SCREW M4 L=6		*		1
24	40010896	PANEL BRACKET C ASSY		*		1
25	10004109	GROUND MARK		*		1
26	40009854	PANEL BRACKET C		*		1
27	40011764	BRACKET C RUBBER CUSHION		*		1
28	40011929	FG CABLE ASSY		*		1
29	WT0430002KE	TOOTHED WASHER		*		1
30	SL4040691SC	SCREW M4 L=6		*		1
31	40008594	PANEL CABLE C ASSY		*		1
32	SS7121410SN	SCREW 3/16-24 L=14		*		2
33	WP0531001SC	WASHER		*		2
34	WT0530002KS	TOOTHED WASHER D=5.3		*		2
35	WP0704516SP	WASHER 7X20X4.5		*		2
36	SK3382001SE	SCREW D=3.8 L=20		*		1
37	EA9500B0100	CABLE BAND		*		3
38	40055294	COMPACTFLASH(TM) TYPE B	OPTIONAL PARTS			1
39	40000100	COMPACTFLASH(TM)	OPTIONAL PARTS			1
40	40008168	OP SWITCH CABLE A ASSY	OPTIONAL PARTS			1

HOW TO MAKE USE OF THIS PARTS LIST

- 1.As to "#01" and "#02" refer to the "Note" given at the bottom of the respective pages.
- 2.Codes on the "Qty" column
 - Each numeral indicates the number of parts required.
 - "0.1" and "2.5" indicate the length (in meters) of the respective parts.
- 3.Parentheses mean that the corresponding part is a subpart that constructs an assembly part.
- 4.Dotted lines on the Figures indicate assembly parts.

1. リストページの# 0 1、# 0 2の印は、ページ下の"注記"の説明を参照下さい。
2. 数量欄の数字は、個数を表し、0. 1、2. 5等の数値は、長さ（単位メートル）を表します。
3. 数量欄の（ ）は、組部品を構成している子部品であることを意味します。
4. イラストページの-----枠は、組構成であることを意味します。

※"コンパクトフラッシュ (TM)"は米国サンディスク社の登録商標です。

*"CompactFlash(TM)"is the registered trademark of SanDisk Corporation,U.S.A

NUMERICAL INDEX OF PARTS

PART NO	PAGE	REF NO.	PART NO	PAGE	REF NO.
10004109	2	25	M1010110000	2	27
10004109	4	25	SK3382001SE	4	36
40000100	2	32·33	SL4040691SC	2	23
40000100	4	38·39	SL4040691SC	4	30
40005844	2	7	SM4030601SC	2	18
40005844	4	7	SM4030601SC	4	18
40005845	2	8	SM4032001SC	2	16
40005845	4	8	SM4032001SC	4	16
40005846	2	9	SS4121415SP	2	29
40005846	4	9	SS7121410SN	4	32
40005847	2	12	ST4030851SN	2	19
40005847	4	12	ST4030851SN	4	19
40005848	2	11	SV4030802SN	2	17
40005848	4	11	SV4030802SN	4	17
40008142	2	26	SV4031001SN	2	20
40008143	2	24	SV4031001SN	4	20
40008168	2	34	SV4032502SN	2	21
40008168	4	40	SV4032502SN	4	21
40008594	2	28	WP0501016SD	2	31
40008594	4	31	WP0531001SC	4	33
40009854	4	26	WP0704516SP	4	35
40010896	4	24	WT0430002KE	2	22
40011764	4	27	WT0430002KE	4	29
40011929	4	28	WT0530002KS	2	30
40046138	2	4	WT0530002KS	4	34
40046138	4	4			
40054941	2	1			
40054942	4	1			
40055002	2	5			
40055002	4	5			
40055005	2	6			
40055005	4	6			
40055007	2	10			
40055007	4	10			
40055183	2	2			
40055184	4	2			
40055194	2	3			
40055194	4	3			
40055294	2	32·33			
40055294	4	38·39			
EA9500B0100	4	37			
KG000000140	2	13			
KG000000140	4	13			
M1003371000	2	14			
M1003371000	4	14			