

MODEL : AH5/AH6/AH7/AH8 A仕様

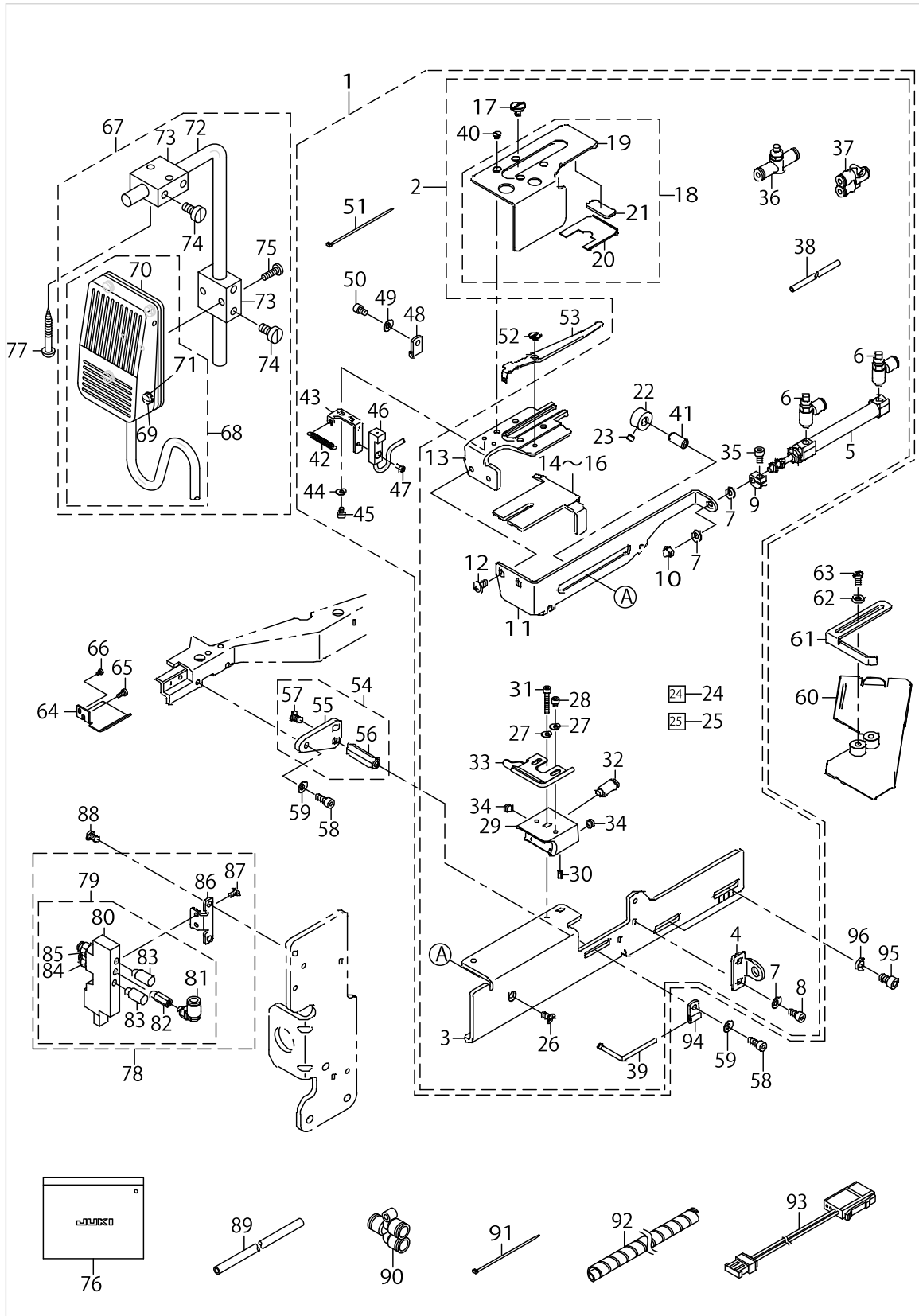
List No : 1467-00

PARTS LIST

Published:09/10/2017

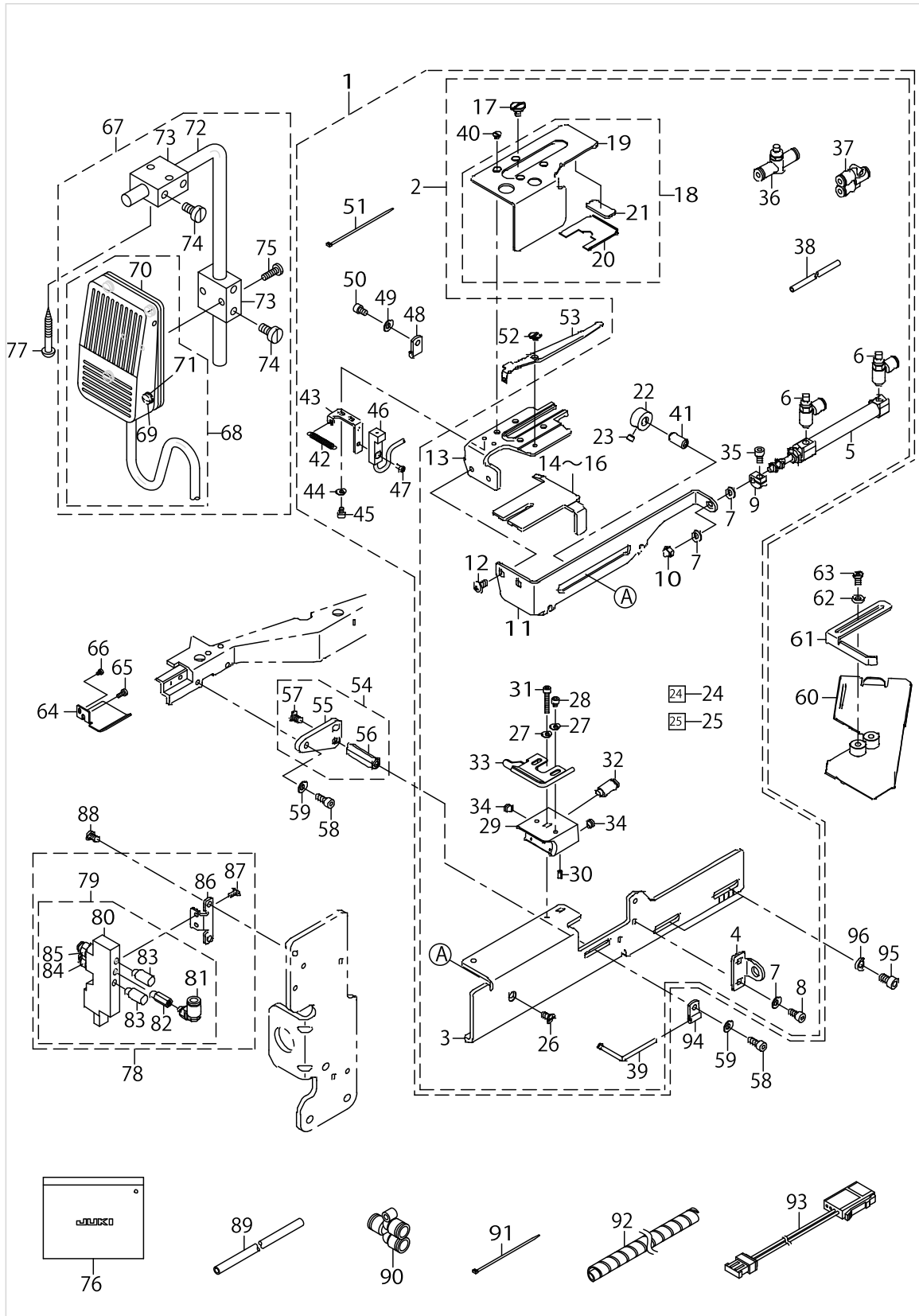
CONTENTS

AH5/AH6	1
AH7/AH8	7
HOW TO MAKE USE OF THIS PARTS LIST	11



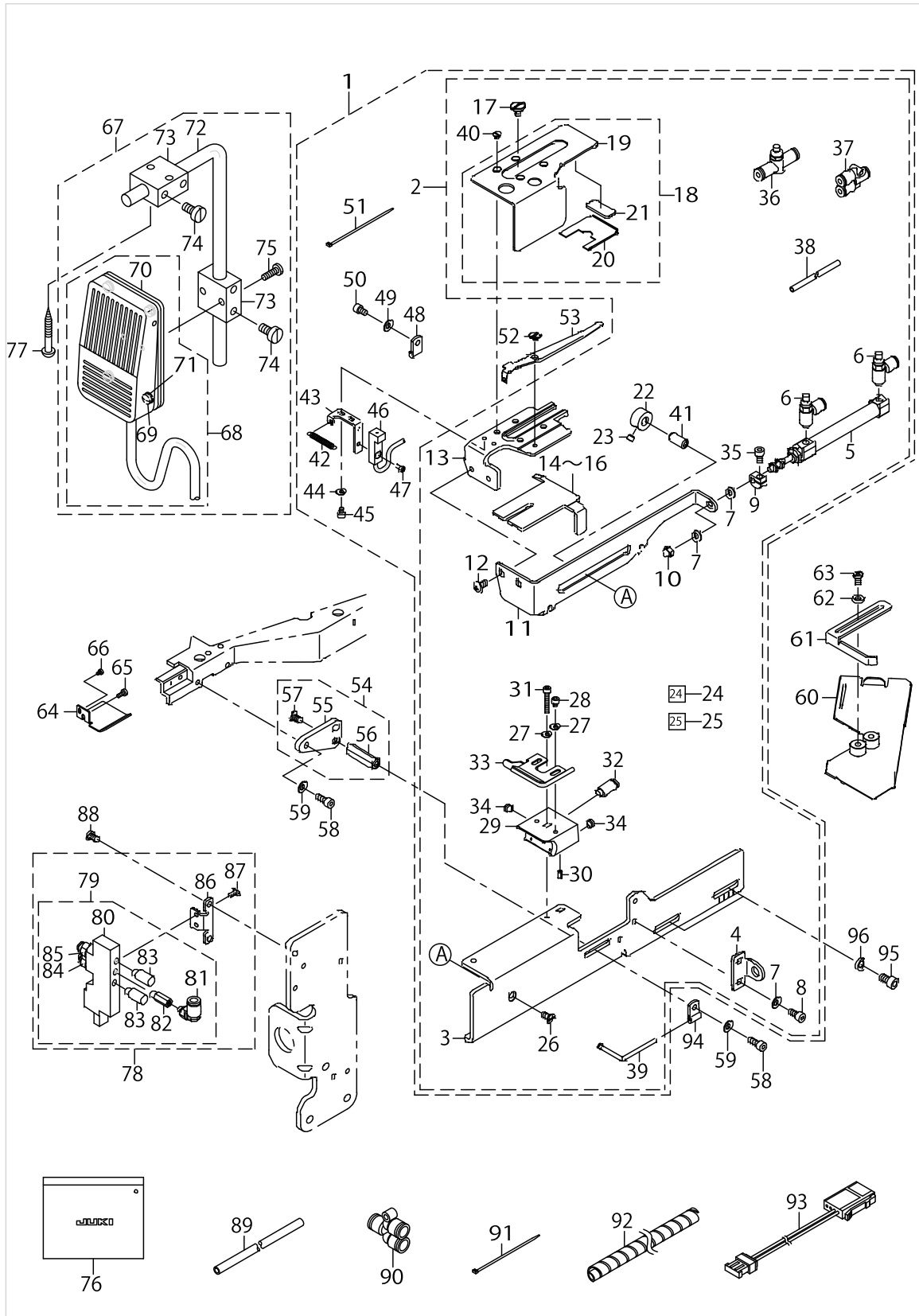
AH5/AH6

No.	Parts No.	Parts name	Remarks	Level	Cons	Qty
1	40052748	AH6_ASSY	FOR AH6			1
2	40052747	AH5_ASSY		*		1
3	40044951	ATTACHEMENT_BRACKET(U10)		*		1
4	40044945	CYLINDER_BRACKET		*		1
5	PA1004510A0	AIR CYLINDER		*		1
6	PC010508000	SPEED CONTROLLER		*		2
7	WP0430801SC	WASHER 4.3X9X0.8		*		4
8	SM6040802TN	SCREW		*		2
9	G5415254000	CYLINDER ADJUSTING COLLAR		*		1
10	NM7040032SC	HEXAGONAL CAP NUT, TYPE 3 M4		*		1
11	40044928	CYLINDER_PLATE		*		1
12	SM0040801SC	SCREW		*		2
13	40044938	HOLDER_BRACKET		*		1
14	40044942	EGRESS_PLATE_B (T=2.6)		*		1
15	40044941	EGRESS_PLATE_A (T=1.6)	OPTIONAL PARTS	*		1
16	40044943	EGRESS_PLATE_C (T=3.6)	OPTIONAL PARTS	*		1
17	SD0700226TP	SHOULDER SCREW D=7 H=2.2		*		1
18	40044958	HOLDER_UPPER_PLATE_ASSY		*		1
19	40044934	HOLDER_UPPER_PLATE		*		1
20	40044935	HOLDER_LOWER_PLATE		*		1
21	40044955	LOWER_PLATE_SPACER		*		1
22	CS0700881TP	THRUST COLLAR D=7 W=8		*		1
23	SM8050412TP	SCREW M5 L=4		*		2
24	18037309	WIRE MARK (24)		*		1
25	18037408	WIRE MARK (25)		*		1
26	SM1040800SP	SCREW		*		1
27	WP0320501SC	WASHER M3		*		3
28	SM6030402TN	BOLT M3X4		*		2
29	40044929	HEM_CAP		*		1
30	PS0300062KH	SPRING PIN 3X6		*		1
31	SM6032002TN	SCREW M3X0.5 L=20		*		1
32	PJ210004200	HALF UNION		*		1
33	40044930	WORK_GUIDE_ASSY		*		1
34	SM8050412TP	SCREW M5 L=4		*		2
35	SM6040802TN	SCREW		*		1
36	PC012406000	SPEED CONTROLLER		*		2
37	PJ308040006	UNION		*		3
38	BT0400251EB	URETHANE HOSE, BLACK		*		2.58
39	40044940	AIR_NOZZLE		*		1
40	SM1030400SP	SCREW M3 L=4		*		4
41	40044944	STUD		*		1
42	40044949	SENSOR_SPRING	FOR AH6	*		1
43	40044948	SENSOR_BRACKET	FOR AH6	*		1
44	WP0320501SC	WASHER M3	FOR AH6	*		2
45	SM6030402TN	BOLT M3X4	FOR AH6	*		2
46	40052573	CLOTH SENSOR CORD ASM.	FOR AH6	*		1
47	SM4860601SC	SCREW M2.6 L=6	FOR AH6	*		1



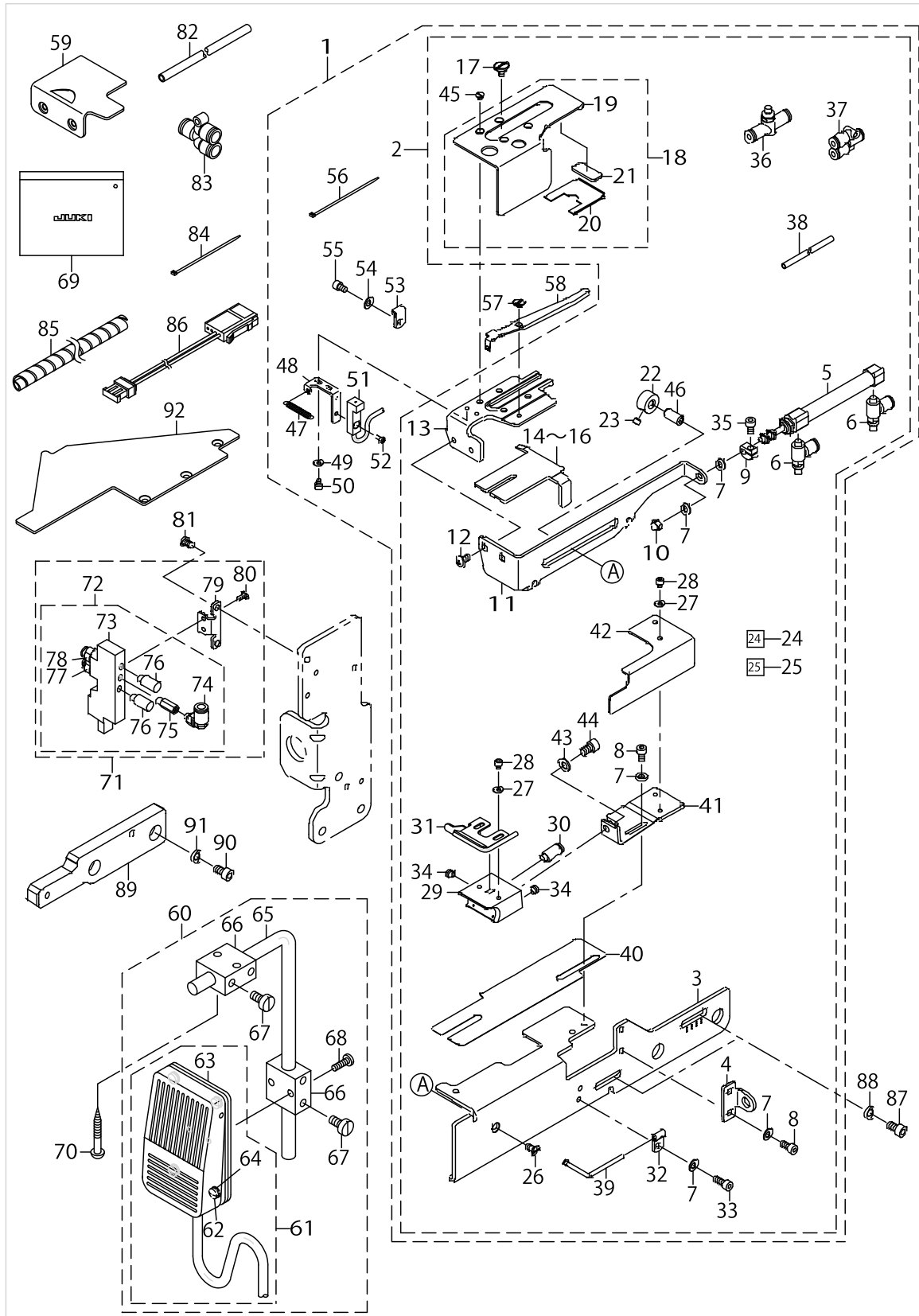
AH5/AH6

No.	Parts No.	Parts name	Remarks	Level	Cons	Qty
48	HX001500000	CLIP	FOR AH6	*		1
49	WP0430801SC	WASHER 4.3X9X0.8	FOR AH6	*		1
50	SM6040602TN	BOLT	FOR AH6	*		1
51	EA9500B0100	CABLE BAND	FOR AH6	*		2
52	SD0500126TP	SHOULDER SCREW D=5 H=1.2	FOR AH6	*		1
53	40044947	SENSOR_PLATE	FOR AH6	*		1
54	40044957	STAND_ASSY				1
55	40044952	STAND_BASE		*		1
56	40044953	STAND		*		1
57	SM1040800SP	SCREW		*		1
58	SM6041002TN	BOLT				3
59	WP0430801SC	WASHER 4.3X9X0.8				3
60	40053156	SLIDE_COVER_ASSY_U10_AH				1
61	40040255	HEM_GUIDE				1
62	WP0430801SC	WASHER 4.3X9X0.8				2
63	SM4040855SP	SCREW				2
64	40044954	FABRIC_GUIDE				1
65	SM6850600SP	SCREW				1
66	SM6020350SP	SCREW M2 L=2.5				1
67	40052656	SWITCH C ASSY				1
68	40052655	SWITCH CABLE C ASSY		*		1
69	SS7110710SL	SCREW 11/64-40 L=7.0		*		4
70	MAT80232T00	KNEE SWITCH SUPPORT PLATE		*		1
71	WP0480856SP	WASHER 4.8X8.4X0.8		*		4
72	MAT80231T00	DRIVING BAR, T002		*		1
73	MAT80230T00	KNEE SWITCH SUPPORT BASE		*		2
74	SS6151220SP	SCREW 15/64-28 L=11.5		*		4
75	SS7111410TP	SCREW 11/64-40 L=14		*		2
76	22932800	ACCESSORIE BAG				1
77	SK3514000SC	WOOD SCREW D=5.1 L=40				2
78	40044959	SOLENOID_VALVE_ASSY				1
79	40044956	SOLENOID_VALVE_ASSY		*		1
80	PV150204000	SOLENOID VALVE		*		1
81	PJ304040505	ELBOW		*		1
82	PJ010505001	JOINT		*		1
83	PX050501000	SILENCER		*		2
84	18037309	WIRE MARK (24)		*		1
85	18037408	WIRE MARK (25)		*		1
86	40044946	SOLENOID_VALVE_BKT		*		1
87	SM6030600SP	SCREW M3X0.5 L=6		*		2
88	SM4040655SP	SCREW M4 L=6				2
89	BT0600401EB	TUBE				1
90	PJ308060003	Y UNION				1
91	EA9500B0100	CABLE BAND				3
92	HX00314000A	SPIRAL TUBE				0.5
93	40052572	SOLENOID VALVE CABLE ASM.				1
94	HX001500000	CLIP				1



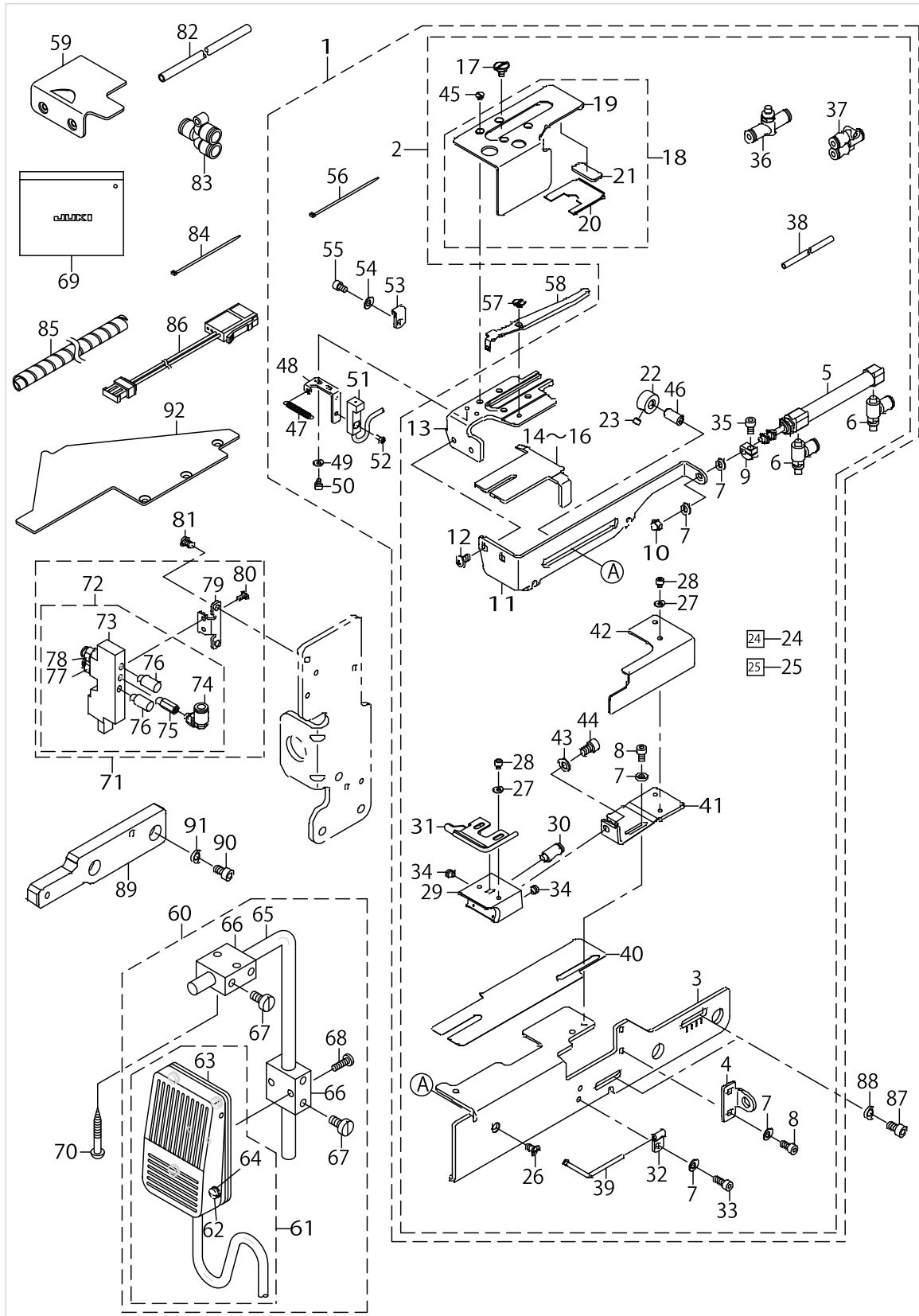
AH5/AH6

No.	Parts No.	Parts name	Remarks	Level	Cons	Qty
95	SM6051002TN	BOLT				2
96	WP0531001SC	WASHER				2



AH7/AH8

No.	Parts No.	Parts name	Remarks	Level	Cons	Qty
1	40052750	AH8_ASSY	FOR AH8			1
2	40052749	AH7_ASSY		*		1
3	40044926	ATTACHMENT_BRACKET		*		1
4	40044945	CYLINDER_BRACKET		*		1
5	PA1004510A0	AIR CYLINDER		*		1
6	PC010508000	SPEED CONTROLLER		*		2
7	WP0430801SC	WASHER 4.3X9X0.8		*		7
8	SM6040802TN	SCREW		*		4
9	G5415254000	CYLINDER ADJUSTING COLLAR		*		1
10	NM7040032SC	HEXAGONAL CAP NUT, TYPE 3 M4		*		1
11	40044928	CYLINDER_PLATE		*		1
12	SM0040801SC	SCREW		*		2
13	40044938	HOLDER_BRACKET		*		1
14	40044942	EGRESS_PLATE_B (T=2.6)		*		1
15	40044941	EGRESS_PLATE_A (T=1.6)	OPTIONAL PARTS	*		1
16	40044943	EGRESS_PLATE_C (T=3.6)	OPTIONAL PARTS	*		1
17	SD0700226TP	SHOULDER SCREW D=7 H=2.2		*		1
18	40044958	HOLDER_UPPER_PLATE_ASSY		*		1
19	40044934	HOLDER_UPPER_PLATE		*		1
20	40044935	HOLDER_LOWER_PLATE		*		1
21	40044955	LOWER_PLATE_SPACER		*		1
22	CS0700881TP	THRUST COLLAR D=7 W=8		*		1
23	SM8050412TP	SCREW M5 L=4		*		2
24	18037309	WIRE MARK (24)		*		1
25	18037408	WIRE MARK (25)		*		1
26	SM1040800SP	SCREW		*		1
27	WP0320501SC	WASHER M3		*		4
28	SM6030402TN	BOLT M3X4		*		4
29	40044929	HEM_CAP		*		1
30	PJ210004200	HALF UNION		*		1
31	40044930	WORK_GUIDE_ASSY		*		1
32	HX001500000	CLIP		*		1
33	SM6040802TN	SCREW		*		1
34	SM8050412TP	SCREW M5 L=4		*		2
35	SM6040802TN	SCREW		*		1
36	PC012406000	SPEED CONTROLLER		*		2
37	PJ308040006	UNION		*		3
38	BT0400251EB	URETHANE HOSE, BLACK		*		2.58
39	40044940	AIR_NOZZLE		*		1
40	40044927	CLOTH_PLATE		*		1
41	40044939	HEM_CAP_BRACKET		*		1
42	40044924	FRONT_COVER		*		1
43	WP0531001SC	WASHER		*		1
44	SM6050802TN	BOLT		*		1
45	SM1030400SP	SCREW M3 L=4		*		4
46	40044944	STUD		*		1
47	40044949	SENSOR_SPRING	FOR AH8	*		1



AH7/AH8

No.	Parts No.	Parts name	Remarks	Level	Cons	Qty
48	40044948	SENSOR_BRACKET	FOR AH8	*		1
49	WP0320501SC	WASHER M3	FOR AH8	*		2
50	SM6030402TN	BOLT M3X4	FOR AH8	*		2
51	40052573	CLOTH SENSOR CORD ASM.	FOR AH8	*		1
52	SM4860601SC	SCREW M2.6 L=6	FOR AH8	*		1
53	HX001500000	CLIP	FOR AH8	*		1
54	WP0430801SC	WASHER 4.3X9X0.8	FOR AH8	*		1
55	SM6040602TN	BOLT	FOR AH8	*		1
56	EA9500B0100	CABLE BAND	FOR AH8	*		2
57	SD0500126TP	SHOULDER SCREW D=5 H=1.2	FOR AH8	*		1
58	40044947	SENSOR_PLATE	FOR AH8	*		1
59	40044933	SIDE_COVER				1
60	40052656	SWITCH C ASSY				1
61	40052655	SWITCH CABLE C ASSY		*		1
62	SS7110710SL	SCREW 11/64-40 L=7.0		*		4
63	MAT80232T00	KNEE SWITCH SUPPORT PLATE		*		1
64	WP0480856SP	WASHER 4.8X8.4X0.8		*		4
65	MAT80231T00	DRIVING BAR, T002		*		1
66	MAT80230T00	KNEE SWITCH SUPPORT BASE		*		2
67	SS6151220SP	SCREW 15/64-28 L=11.5		*		4
68	SS7111410TP	SCREW 11/64-40 L=14		*		2
69	22932800	ACCESSORIE BAG				1
70	SK3514000SC	WOOD SCREW D=5.1 L=40				2
71	40044959	SOLENOID_VALVE_ASSY				1
72	40044956	SOLENOID_VALVE_ASSY		*		1
73	PV150204000	SOLENOID VALVE		*		1
74	PJ304040505	ELBOW		*		1
75	PJ010505001	JOINT		*		1
76	PX050501000	SILENCER		*		2
77	18037309	WIRE MARK (24)		*		1
78	18037408	WIRE MARK (25)		*		1
79	40044946	SOLENOID_VALVE_BKT		*		1
80	SM6030600SP	SCREW M3X0.5 L=6		*		2
81	SM4040655SP	SCREW M4 L=6				2
82	BT0600401EB	TUBE				1
83	PJ308060003	Y UNION				1
84	EA9500B0100	CABLE BAND				3
85	HX00314000A	SPIRAL TUBE				0.5
86	40052572	SOLENOID VALVE CABLE ASM.				1
87	SM6051002TN	BOLT				2
88	WP0531001SC	WASHER				2
89	40044925	ATTACHMENT_BASE				1
90	SM6051002TN	BOLT				2
91	WP0531001SC	WASHER				2
92	40044922	CLOTH_PLATE_FRONT				1

HOW TO MAKE USE OF THIS PARTS LIST

- 1.As to "#01" and "#02" refer to the "Note" given at the bottom of the respective pages.
- 2.Codes on the "Qty" column
 - Each numeral indicates the number of parts required.
 - "0.1" and "2.5" indicate the length (in meters) of the respective parts.
- 3.Parentheses mean that the corresponding part is a subpart that constructs an assembly part.
- 4.Dotted lines on the Figures indicate assembly parts.

1. リストページの# 0 1、# 0 2の印は、ページ下の"注記"の説明を参照下さい。
2. 数量欄の数字は、個数を表し、0. 1、2. 5等の数値は、長さ（単位メートル）を表します。
3. 数量欄の（ ）は、組部品を構成している子部品であることを意味します。
4. イラストページの-----枠は、組構成であることを意味します。

ALL PARTS NOT MENTIONED IN THIS PARTS LIST ARE SAME AS THOSE OF
MODEL MF-7800 OTHER PARTS LIST RELATED TO THIS MODEL.
*MF-7800 SERIES(NO.1379 PART NO.13450002)

このパーツリスト記載以外の部品はMF-7800と共通です。
この機種に関連するパーツリストとして下記のパーツリストがあります。
*MF-7800シリーズ（NO. 1379 品番13450002）

NUMERICAL INDEX OF PARTS

PART NO	PAGE	REF NO.	PART NO	PAGE	REF NO.	PART NO	PAGE	REF NO.
18037309	2	84	40044947	10	58	HX00314000A	10	85
18037309	4	84	40044948	2	43	MAT80230T00	4	73
18037309	8	77	40044948	10	48	MAT80230T00	10	66
18037309	10	77	40044949	2	42	MAT80231T00	4	72
18037408	2	85	40044949	8	47	MAT80231T00	10	65
18037408	4	85	40044951	2	3	MAT80232T00	4	70
18037408	8	78	40044952	4	55	MAT80232T00	10	63
18037408	10	78	40044953	4	56	NM7040032SC	2	10
22932800	4	76	40044954	4	64	NM7040032SC	8	10
22932800	10	69	40044955	2	21	PA1004510A0	2	5
40040255	4	61	40044955	8	21	PA1004510A0	8	5
40044922	10	92	40044956	4	79	PC010508000	2	6
40044924	8	42	40044956	10	72	PC010508000	8	6
40044925	10	89	40044957	4	54	PC012406000	2	36
40044926	8	3	40044958	2	18	PC012406000	8	36
40044927	8	40	40044958	8	18	PJ010505001	4	82
40044928	2	11	40044959	4	78	PJ010505001	10	75
40044928	8	11	40044959	10	71	PJ210004200	2	32
40044929	2	29	40052572	4	93	PJ210004200	8	30
40044929	8	29	40052572	10	86	PJ304040505	4	81
40044930	2	33	40052573	2	46	PJ304040505	10	74
40044930	8	31	40052573	10	51	PJ308040006	2	37
40044933	10	59	40052655	4	68	PJ308040006	8	37
40044934	2	19	40052655	10	61	PJ308060003	4	90
40044934	8	19	40052656	4	67	PJ308060003	10	83
40044935	2	20	40052656	10	60	PS0300062KH	2	30
40044935	8	20	40052747	2	2	PV150204000	4	80
40044938	2	13	40052748	2	1	PV150204000	10	73
40044938	8	13	40052749	8	2	PX050501000	4	83
40044939	8	41	40052750	8	1	PX050501000	10	76
40044940	2	39	40053156	4	60	SD0500126TP	4	52
40044940	8	39	BT0400251EB	2	38	SD0500126TP	10	57
40044941	2	15	BT0400251EB	8	38	SD0700226TP	2	17
40044941	8	15	BT0600401EB	4	89	SD0700226TP	8	17
40044942	2	14	BT0600401EB	10	82	SK3514000SC	4	77
40044942	8	14	CS0700881TP	2	22	SK3514000SC	10	70
40044943	2	16	CS0700881TP	8	22	SM0040801SC	2	12
40044943	8	16	EA9500B0100	4	91	SM0040801SC	8	12
40044944	2	41	EA9500B0100	10	84	SM1030400SP	2	40
40044944	8	46	G5415254000	2	9	SM1030400SP	8	45
40044945	2	4	G5415254000	8	9	SM1040800SP	2	57
40044945	8	4	HX001500000	4	94	SM1040800SP	4	57
40044946	4	86	HX001500000	8	53	SM1040800SP	8	26
40044946	10	79	HX001500000	10	53	SM4040655SP	4	88
40044947	4	53	HX00314000A	4	92	SM4040655SP	10	81

NUMERICAL INDEX OF PARTS

PART NO	PAGE	REF NO.
SM4040855SP	4	63
SM4860601SC	2	47
SM4860601SC	10	52
SM6020350SP	4	66
SM6030402TN	2	45
SM6030402TN	8	50
SM6030402TN	10	50
SM6030600SP	4	87
SM6030600SP	10	80
SM6032002TN	2	31
SM6040602TN	4	50
SM6040602TN	10	55
SM6040802TN	2	35
SM6040802TN	8	35
SM6041002TN	4	58
SM6050802TN	8	44
SM6051002TN	6	95
SM6051002TN	10	90
SM6850600SP	4	65
SM8050412TP	2	34
SM8050412TP	8	34
SS6151220SP	4	74
SS6151220SP	10	67
SS7110710SL	4	69
SS7110710SL	10	62
SS7111410TP	4	75
SS7111410TP	10	68
WP0320501SC	2	44
WP0320501SC	8	49
WP0320501SC	10	49
WP0430801SC	2	62
WP0430801SC	4	62
WP0430801SC	8	54
WP0430801SC	10	54
WP0480856SP	4	71
WP0480856SP	10	64
WP0531001SC	6	96
WP0531001SC	8	91
WP0531001SC	10	91