

MODEL : T042S

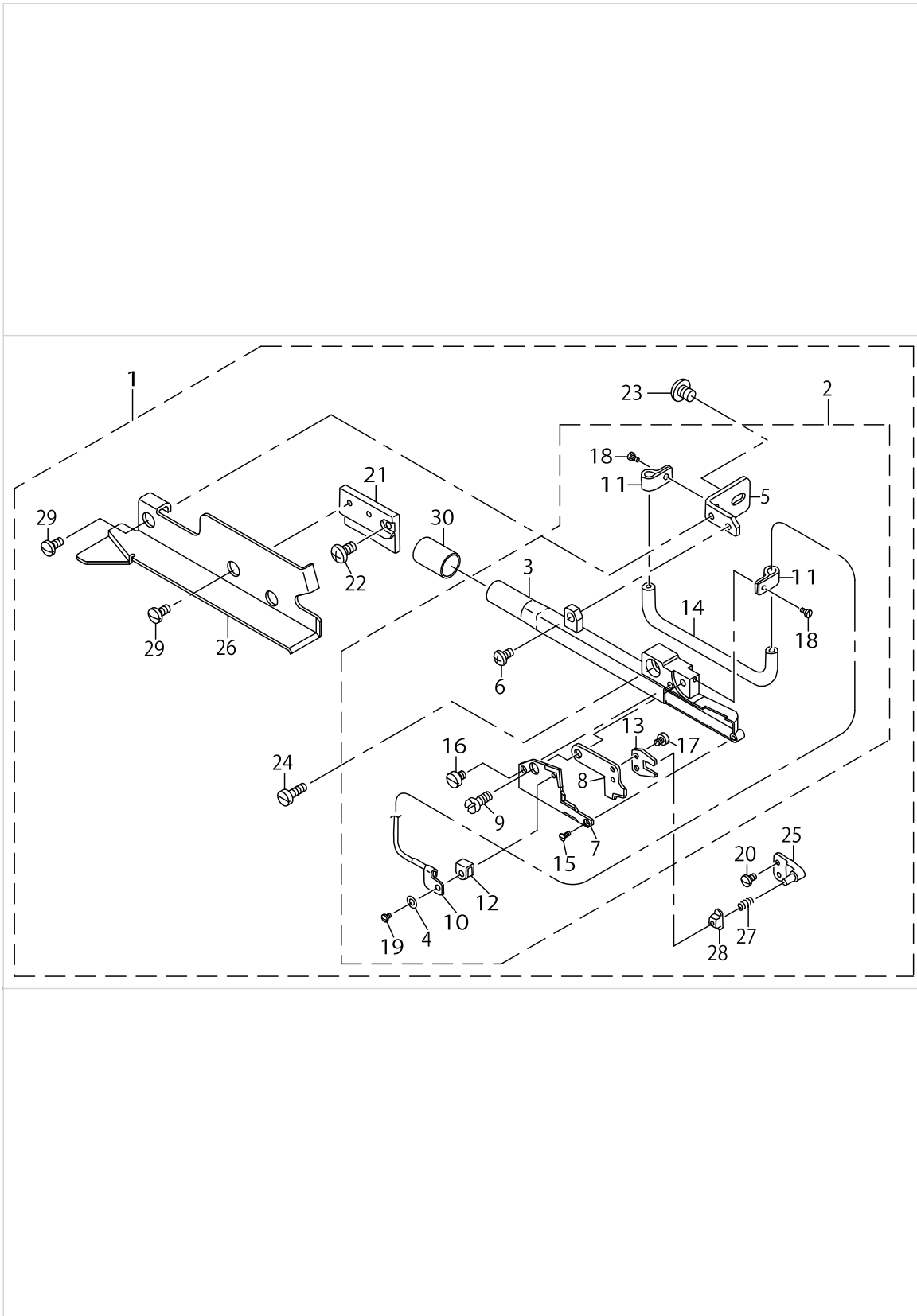
List No : 1463-01

PARTS LIST

Published:09/10/2017

CONTENTS

T042S.....	1
HOW TO MAKE USE OF THIS PARTS LIST	3



T042S

No.	Parts No.	Parts name	Remarks	Level	Cons	Qty
1	40045967	PNEUMATIC SIDE CUTTER ASSY				1
2	40045965	KNIFE REST ASSY		*		1
3	40045966	KNIFE REST COMPL.		*		1
4	WP0250516SD	WASHER 2.5X6X0.5		*		1
5	MAT03604000	KNIFE REST PLATE		*		1
6	SS4110715SP	SCREW 11/64-40 L=7		*		1
7	MAT0360500A	FIXING KNIFE		*		1
8	MAT03606000	WORK KNIFE		*		1
9	MAT03607000	KNIFE SHAFT		*		1
10	MAT036090A0	OIL SUPPLY HOLDER ASM.		*		1
11	MAT03610000	OIL SUPPLY PIPE BRACKET		*		2
12	MAT02111000	SPRING		*		1
13	MAT02502000	DRIVING LEVER		*		1
14	BP400000000	VINYL TUBE, WHITE D=4		*		0.2
15	SS2060510SP	SCREW 3/32-56 L=4.5		*		1
16	SS6090520SP	SCREW 9/64-40 L= 5.0		*		1
17	SS6080410SP	SCREW 1/8-44 L=4		*		2
18	SS6060410TP	SCREW 3/32-56 L= 3.5		*		2
19	SS7060310SP	SCREW 3/32-56 L=3		*		1
20	SS7080520SP	SCREW 1/8-44 L=4.9		*		2
21	MAT03603000A	KNIFE REST BRACKET		*		1
22	SS4120915SP	SCREW 3/16-28 L=9		*		1
23	SS4150715SP	SCREW 15/64-28 L=7		*		1
24	SS6111210SP	SCREW 11/64-40 L=12		*		1
25	MAT03608000	DRIVE PIN		*		1
26	40045964	SIDE VOVER COMPL.		*		1
27	MAT02106000	SPRING		*		1
28	40045962	SLIDE BLOCK		*		1
29	SS7110840SP	SCREW 11/64-40 L=7.8		*		2
30	40045961	VINYL PIPE		*		1

HOW TO MAKE USE OF THIS PARTS LIST

1.As to "#01" and "#02" refer to the "Note" given at the bottom of the respective pages.

2.Codes on the "Qty" column

- Each numeral indicates the number of parts required.
- "0.1" and "2.5" indicate the length (in meters) of the respective parts.

3.Parentheses mean that the corresponding part is a subpart that constructs an assembly part.

4.Dotted lines on the Figures indicate assembly parts.

1. リストページの# 0 1、# 0 2の印は、ページ下の"注記"の説明を参照下さい。
2. 数量欄の数字は、個数を表し、0. 1、2. 5等の数値は、長さ（単位メートル）を表します。
3. 数量欄の（ ）は、組部品を構成している子部品であることを意味します。
4. イラストページの-----枠は、組構成であることを意味します。

NUMERICAL INDEX OF PARTS

PART NO	PAGE	REF NO.
40045961	2	30
40045962	2	28
40045964	2	26
40045965	2	2
40045966	2	3
40045967	2	1
BP400000000	2	14
MAT02106000	2	27
MAT02111000	2	12
MAT02502000	2	13
MAT03603000A	2	21
MAT03604000	2	5
MAT0360500A	2	7
MAT03606000	2	8
MAT03607000	2	9
MAT03608000	2	25
MAT036090A0	2	10
MAT03610000	2	11
SS2060510SP	2	15
SS4110715SP	2	6
SS4120915SP	2	22
SS4150715SP	2	23
SS6060410TP	2	18
SS6080410SP	2	17
SS6090520SP	2	16
SS6111210SP	2	24
SS7060310SP	2	19
SS7080520SP	2	20
SS7110840SP	2	29
WP0250516SD	2	4