

MODEL : MF-7800-H21

List No : 1460-00

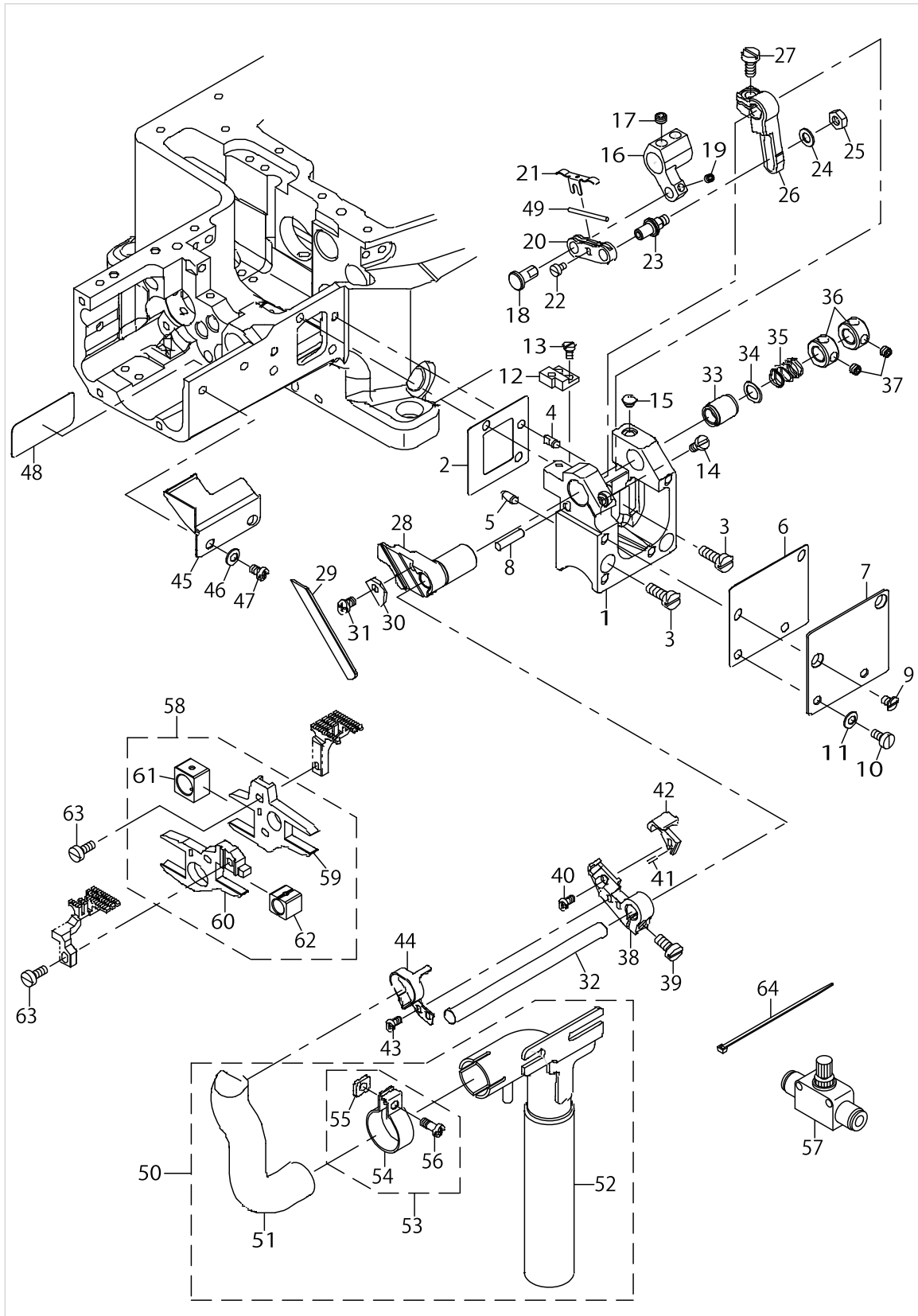
# PARTS LIST

Published:09/10/2017

## CONTENTS

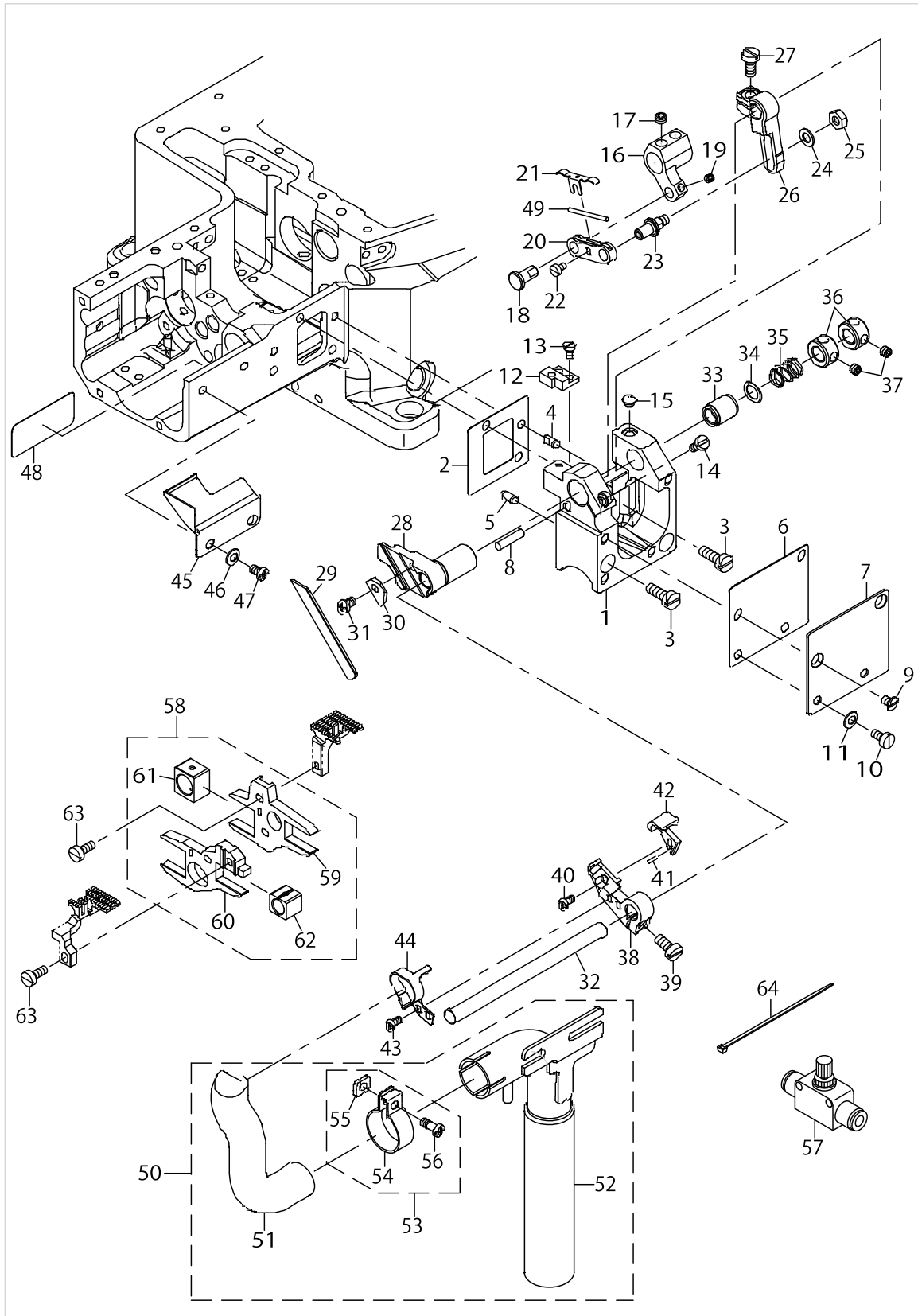
---

MF-7800-H21 (1).....	1
MF-7800-H21 (2).....	5
MF-7800-H21 (3).....	7
HOW TO MAKE USE OF THIS PARTS LIST .....	9



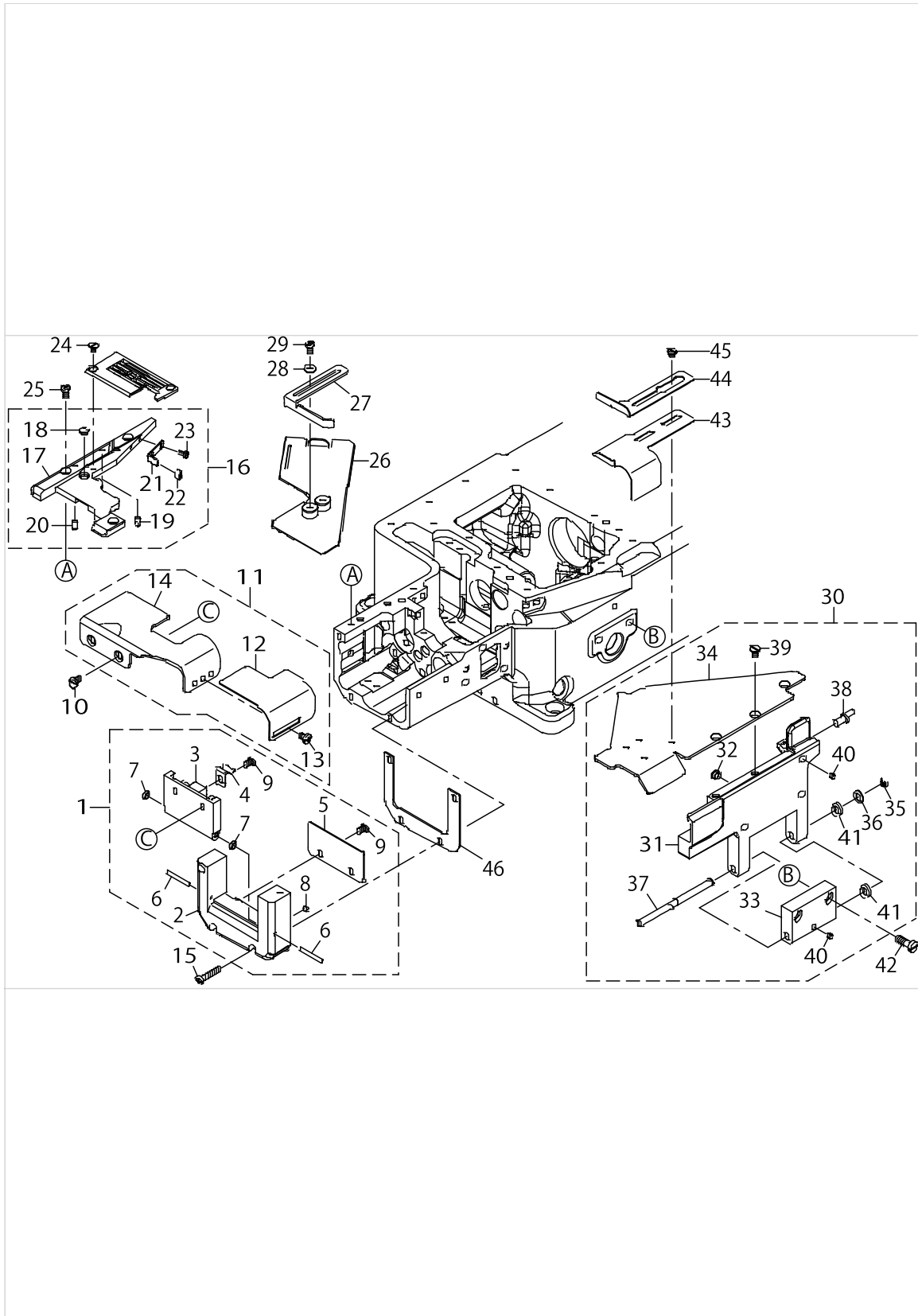
## MF-7800-H21 (1)

No.	Parts No.	Parts name	Remarks	Level	Cons	Qty
1	40040210	SUPPORT_BLOCK				1
2	40042252	SUPPORT_BLOCK_GASKET				1
3	SM6051400SP	SCREW				3
4	13301908	DOWEL PIN				1
5	13302500	DOWEL PIN 2				1
6	40040249	S_B_COVER_GASKET				1
7	40040248	SUPPORT_BLOCK_COVER				1
8	PH0400185S0	PARALLEL PIN TYPE 4X18				1
9	SM1040650TP	SCREW M4 L=6				2
10	SM6040800SP	SCREW				2
11	WP0430801SC	WASHER 4.3X9X0.8				2
12	40040211	TP_ADJUST_PLATE				1
13	SM6030600SP	SCREW M3X0.5 L=6				2
14	SM6040800SP	SCREW				1
15	13302302	RUBBER BUMPER				1
16	13461306	DRIVE_LEVER				1
17	SM8060412TP	SCREW M6 L=4				2
18	13461504	LINK_PIN				1
19	SM8040412TP	SET SCREW M4 L=4				1
20	40039897	LINK				1
21	40039914	OIL_WICK_PLATE				1
22	SM6030500SN	SCREW M3 L=5				1
23	13461207	ADJUST_PIN				1
24	WP0550800SP	WASHER 5.5X10X0.8				1
25	NM6050001SP	NUT M5				1
26	40039902	ADJUST_LEVER				1
27	SM6051000SP	SCREW M5 L=10				1
28	40039900	LOWER_KNIFE HOLDER_ASSY				1
29	40042378	LOWER_KNIFE				1
30	40042319	LOWER_KNIFE_PRESSER_PLATE				1
31	SM4040655SP	SCREW M4 L=6				1
32	40039901	SHAFT				1
33	40040792	BUSHING_RIGHT				1
34	WP0820516SP	WASHER 11.6X8.2X0.6				1
35	40040306	UPPER_KNIFE_SPRING				1
36	CS0800881TP	THRUST COLLAR D=8 W=8				2
37	SM8050412TP	SCREW M5 L=4				2
38	40039910	UPPER_KNIFE HOLDER				1
39	SM6051000SP	SCREW M5 L=10				1
40	SM4030655SP	SCREW M3 L=6				1
41	PH0150065C0	PARALLEL PIN TYPE 1.5X6				1
42	40039364	UPPER_KNIFE				1
43	SM4030655SP	SCREW M3 L=6				2
44	40040424	FABRIC_TRIMMER_GUIDE				1
45	40039926	FEED_COVER				1
46	WP0430801SC	WASHER 4.3X9X0.8				2
47	SM4040655SP	SCREW M4 L=6				2



## MF-7800-H21 (1)

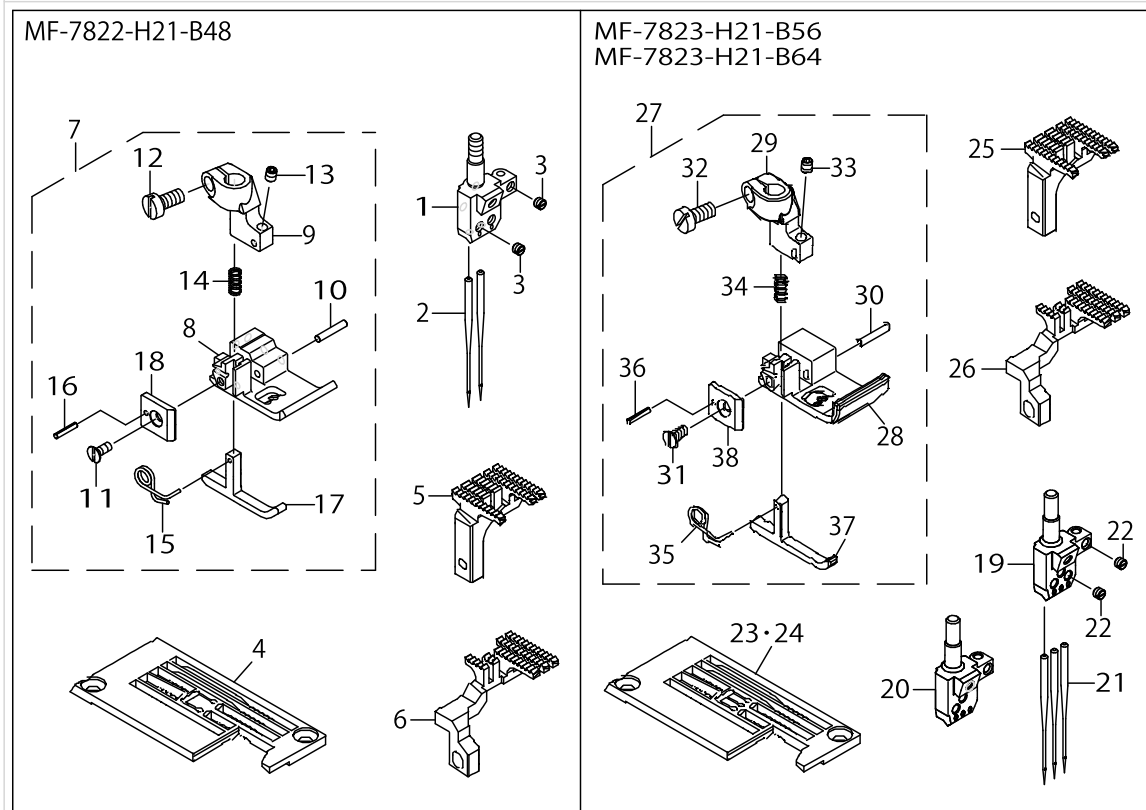
No.	Parts No.	Parts name	Remarks	Level	Cons	Qty
48	40040482	CYLINDERBED_COVER				1
49	CQ303000000	OIL WICK				0.2
50	40048534	SUCTION_PIPE SET				1
51	40042374	SUCTION_PIPE_1		*		1
52	40042375	SUCTION_PIPE_2_ASSY		*		1
53	40043839	SUCTION_PIPE_JOINT_ASSY		*		1
54	40043800	SUCTION_PIPE_JOINT		*		1
55	40043815	SUCTION_PIPE_NUT		*		1
56	SM4041055SP	SCREW M4 L=10		*		1
57	PC012601000	SPEED CONTROLLER				1
58	40040309	FEED_BAR_ASSY				1
59	13413901	MAIN FEED BAR		*		1
60	40039915	DIFF_FEED_BAR		*		1
61	13413703	SLIDE BLOCK 1		*		1
62	13413802	SLIDE BLOCK 2		*		1
63	SM6041000SP	SCREW M4 L=10				2
64	EA9500B0100	CABLE BAND				1



## MF-7800-H21 (2)

No.	Parts No.	Parts name	Remarks	Level	Cons	Qty
1	40040258	SIDE_COVER_ASSY_H21				1
2	40040401	CYLINDER_COVER		*		1
3	40040257	SIDE COVER H21		*		1
4	13401906	LATCH SPRING 2		*		1
5	13401807	CYLINDER COVER PLATE		*		1
6	PH0300252C0	PARALLEL PIN 3X25		*		2
7	RO037180100	RUBBER RING		*		2
8	SM8040360TP	SCREW M4 L=3		*		2
9	SM4040655SP	SCREW M4 L=6		*		3
10	SM6040650TP	SCREW M4 L=6				2
11	40048589	SIDE COVER ASSY				1
12	40040287	SIDE_COVER		*		1
13	SM5040655SN	SCREW		*		2
14	40040259	SIDE_COVER_H21		*		1
15	SM4042055SP	SCREW M4 L=20				3
16	40040284	ASSY_TP_SUPPORT_H21				1
17	40040283	THROAT_PLATE_SUPPORT_H21		*		1
18	13302302	RUBBER BUMPER		*		1
19	13301908	DOWEL PIN		*		1
20	13302500	DOWEL PIN 2		*		1
21	13403407	SLIDE_COVER_SUPPORT		*		1
22	23630007	TUBE		*		0.05
23	SM4030655SP	SCREW M3 L=6		*		2
24	13302203	SCREW				2
25	SM4040855SP	SCREW				3
26	13463351	SLIDE_COVER_ASSY_H20				1
27	40040255	HEM_GUIDE				1
28	WP0430801SC	WASHER 4.3X9X0.8				2
29	SM4040855SP	SCREW				2
30	40040247	SWING_DOWN_COVER_ASSY_H21				1
31	13462304	SWING_DOWN_COVER_H20		*		1
32	13302302	RUBBER BUMPER		*		1
33	13401203	HINGE		*		1
34	40040246	CLOTH_PLATE_FRONT_H21		*		1
35	RE0300000K0	E-RING 3		*		1
36	WP0550800SP	WASHER 5.5X10X0.8		*		1
37	13403506	PIN_FOR_S_D_COVER		*		1
38	13402706	PIN FOR COVER		*		1
39	SM1040800SP	SCREW M4 L=8		*		3
40	SM8040360TP	SCREW M4 L=3		*		2
41	13302708	RUBBER_WASHER		*		2
42	SM6051400SP	SCREW				2
43	40040262	HEM_GUIDE_LEFT				1
44	40040254	HEM_GUIDE_RIGHT				1
45	SM6040450TP	SCREW M4 L=4				2
46	13401609	GASKET				1





MF-7800-H21 (3)

No.	Parts No.	Parts name	Remarks	Level	Cons	Qty
1	13350509	NEEDLE_HEAD_48				1
2	MUY128S1000	NEEDLE UYX128GAS #10S				2
3	SM8030350TP	SCREW M3 L=2.5				3
4	13445101	THROAT_PLATE				1
5	40041249	MAIN FEED DOG				1
6	40041233	DIFF FEED DOG				1
7	40039796	PRESSER FOOT ASSY				1
8	40039795	PRESSER FOOT BOTTOM		*		1
9	13467907	PRESSER_FOOT_SHANK		*		1
10	13375209	PIVOT_PIN		*		1
11	SM1850600SP	SCREW M2.5 L=6		*		1
12	SM6040800SP	SCREW		*		1
13	SM8030412TP	SCREW M3 L=4		*		1
14	13377106	SPRING		*		1
15	13375308	SPRING_L		*		1
16	PS0150082KH	SPRING PIN		*		1
17	40038032	YIELDING_SECTION		*		1
18	13468103	YIELDING_SECTION_PLATE		*		1
19	13350301	NEEDLE_HEAD_56	FOR MF-7823-H21-B56			1
20	13350400	NEEDLE_HEAD_64	FOR MF-7823-H21-B64 ALL PARTS NOT MENTIONED IN THIS PART MODEL MF-7800. OTHER PARTS LIST RELA *MF-7800 SERIES(NO.1379			1
21	MUY128S1000	NEEDLE UYX128GAS #10S				3
22	SM8030350TP	SCREW M3 L=2.5				4
23	40041203	THROAT PLATE	FOR MF-7823-H21-B56			1
24	40041204	THROAT PLATE	FOR MF-7823-H21-B64 ALL PARTS NOT MENTIONED IN THIS PART MODEL MF-7800. OTHER PARTS LIST RELA *MF-7800 SERIES(NO.1379			1
25	40032900	MAIN_FEED_DOG				1
26	40040376	DIFF FFE DOG				1
27	40039794	PRESSER FOOT ASSY				1
28	40038066	PRESSER FOOT BOTTOM		*		1
29	13467907	PRESSER_FOOT_SHANK		*		1
30	13375209	PIVOT_PIN		*		1
31	SM1850600SP	SCREW M2.5 L=6		*		1
32	SM6040800SP	SCREW		*		1
33	SM8030412TP	SCREW M3 L=4		*		1
34	13377106	SPRING		*		1
35	13375308	SPRING_L		*		1
36	PS0150082KH	SPRING PIN		*		1
37	40038032	YIELDING SECTION		*		1
38	13468103	YIELDING_SECTION_PLATE		*		1

## HOW TO MAKE USE OF THIS PARTS LIST

1.As to "#01" and "#02" refer to the "Note" given at the bottom of the respective pages.

2.Codes on the "Qty" column

- Each numeral indicates the number of parts required.
- "0.1" and "2.5" indicate the length (in meters) of the respective parts.

3.Parentheses mean that the corresponding part is a subpart that constructs an assembly part.

4.Dotted lines on the Figures indicate assembly parts.

1. リストページの# 0 1、# 0 2の印は、ページ下の"注記"の説明を参照下さい。
2. 数量欄の数字は、個数を表し、0. 1、2. 5等の数値は、長さ（単位メートル）を表します。
3. 数量欄の（ ）は、組部品を構成している子部品であることを意味します。
4. イラストページの-----枠は、組構成であることを意味します。

# NUMERICAL INDEX OF PARTS

PART NO	PAGE	REF NO.	PART NO	PAGE	REF NO.	PART NO	PAGE	REF NO.
13301908	2	4	40039914	2	21	PH0150065C0	2	41
13301908	6	19	40039915	4	60	PH0300252C0	6	6
13302203	6	24	40039926	2	45	PH0400185S0	2	8
13302302	2	15	40040210	2	1	PS0150082KH	8	36
13302302	6	32	40040211	2	12	RE0300000K0	6	35
13302500	2	5	40040246	6	34	RO037180100	6	7
13302500	6	20	40040247	6	30	SM1040650TP	2	9
13302708	6	41	40040248	2	7	SM1040800SP	6	39
13350301	8	19	40040249	2	6	SM1850600SP	8	31
13350400	8	20	40040254	6	44	SM4030655SP	2	43
13350509	8	1	40040255	6	27	SM4030655SP	6	23
13375209	8	30	40040257	6	3	SM4040655SP	2	47
13375308	8	35	40040258	6	1	SM4040655SP	6	9
13377106	8	34	40040259	6	14	SM4040855SP	6	29
13401203	6	33	40040262	6	43	SM4041055SP	4	56
13401609	6	46	40040283	6	17	SM4042055SP	6	15
13401807	6	5	40040284	6	16	SM5040655SN	6	13
13401906	6	4	40040287	6	12	SM6030500SN	2	22
13402706	6	38	40040306	2	35	SM6030600SP	2	13
13403407	6	21	40040309	4	58	SM6040450TP	6	45
13403506	6	37	40040376	8	26	SM6040650TP	6	10
13413703	4	61	40040401	6	2	SM6040800SP	2	14
13413802	4	62	40040424	2	44	SM6040800SP	8	32
13413901	4	59	40040482	4	48	SM6041000SP	4	63
13445101	8	4	40040792	2	33	SM6051000SP	2	39
13461207	2	23	40041203	8	23·24	SM6051400SP	2	3
13461306	2	16	40041204	8	23·24	SM6051400SP	6	42
13461504	2	18	40041233	8	6	SM8030350TP	8	22
13462304	6	31	40041249	8	5	SM8030412TP	8	33
13463351	6	26	40042252	2	2	SM8040360TP	6	40
13467907	8	29	40042319	2	30	SM8040412TP	2	19
13468103	8	38	40042374	4	51	SM8050412TP	2	37
23630007	6	22	40042375	4	52	SM8060412TP	2	17
40032900	8	25	40042378	2	29	WP0430801SC	2	46
40038032	8	37	40043800	4	54	WP0430801SC	6	28
40038066	8	28	40043815	4	55	WP0550800SP	2	24
40039364	2	42	40043839	4	53	WP0550800SP	6	36
40039794	8	27	40048534	4	50	WP0820516SP	2	34
40039795	8	8	40048589	6	11			
40039796	8	7	CQ303000000	4	49			
40039897	2	20	CS0800881TP	2	36			
40039900	2	28	EA9500B0100	4	64			
40039901	2	32	MUY128S1000	8	21			
40039902	2	26	NM6050001SP	2	25			
40039910	2	38	PC012601000	4	57			