

MODEL : AMS-210Eエア-セット

List No : 1452-03

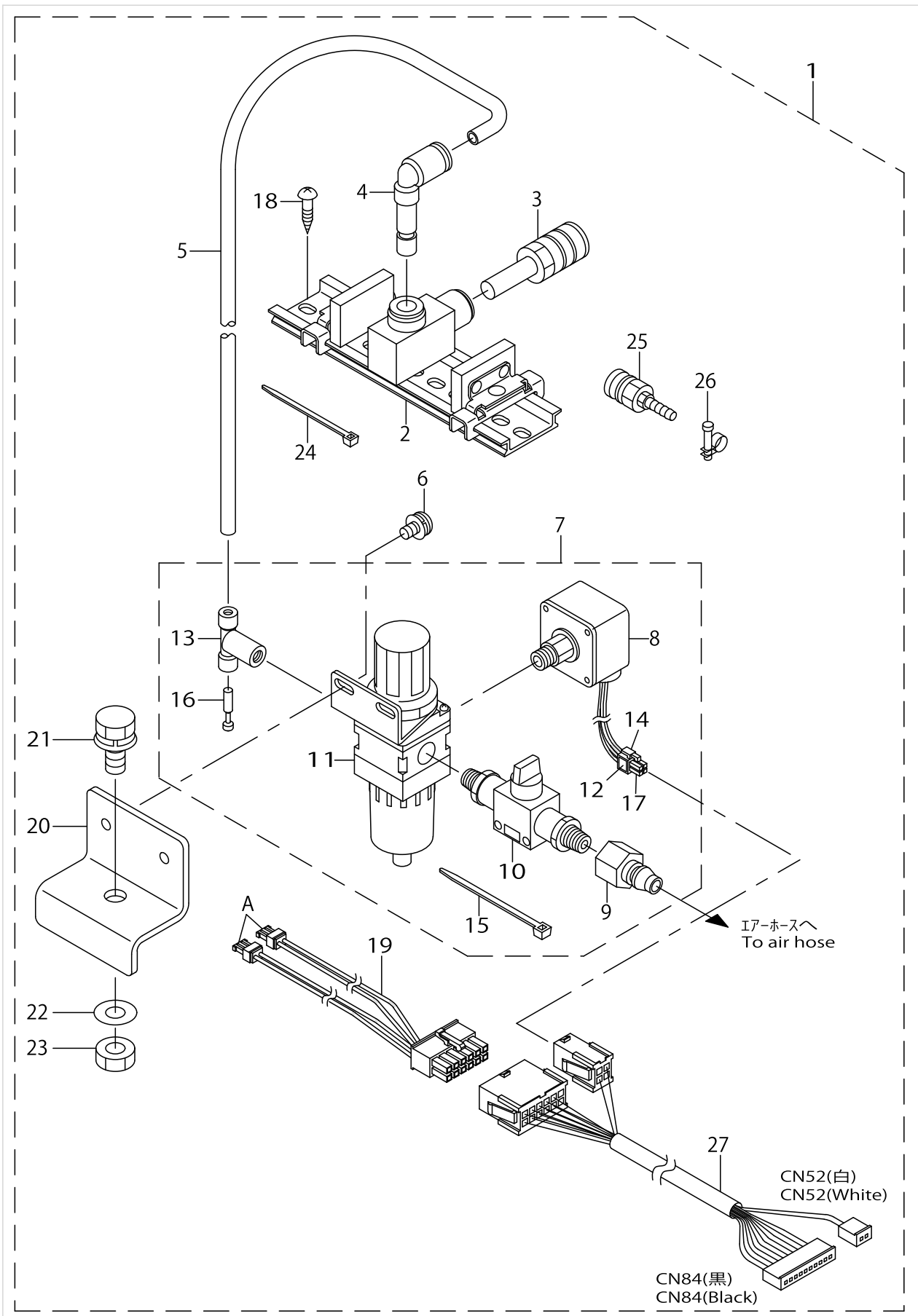
PARTS LIST

Published:09/10/2017

CONTENTS

AMS-210E AIR UNIT ASM.....	1
HOW TO MAKE USE OF THIS PARTS LIST	3

AMS-210E AIR UNIT ASM.



AMS-210E AIR UNIT ASM.

No.	Parts No.	Parts name	Remarks	Level	Cons	Qty
1	40035693	AIR UNIT ASM.				1
2	PV915005000	SOLENOID VALVE INSTALLING BASE		*		1
3	PX050003000	SILENCER		*		1
4	PJ304060001	ELBOW		*		1
5	BT0600401EB	TUBE		*		1.3
6	SL4051091SC	SCREW M5X0.8 L=10		*		2
7	40030951	FILTER_REGULATOR_ASM.		*		1
8	G8124270000	AIR PRESSUE SWITCH		*		1
9	PJ025200003	PLUG		*		1
10	PV015211000	HAND VALVE		*		1
11	PF0552040B0	FILTER REGULATOR		*		1
12	E2678453000	CONNECTOR MARKER J78		*		1
13	PJ305065202	TEE		*		1
14	HK034610040	HOUSING		*		1
15	EA9500B0100	CABLE BAND		*		5
16	PX950009000	PLUG		*		1
17	HK034640000	PIN CONTACT		*		3
18	SK3412001SE	WOOD SCREW D=4.1 L=20		*		2
19	40048529	VALVE RERAY COAD ASM.		*		1
20	40023662	FILTER INSTALLING PLATE		*		1
21	SL9082093SE	SCREW		*		1
22	WP0871602SE	WASHER 8.7X18X1.6		*		1
23	NM6080721SE	NUT M8		*		1
24	EA9500B0100	CABLE BAND		*		3
25	PJ309520001	SOCKET		*		1
26	PB000010000	HOSE BAND		*		1
27	40048528	AIR RELAY CABLE ASM.		*		1

HOW TO MAKE USE OF THIS PARTS LIST

1.As to "#01" and "#02" refer to the "Note" given at the bottom of the respective pages.

2.Codes on the "Qty" column

- Each numeral indicates the number of parts required.
- "0.1" and "2.5" indicate the length (in meters) of the respective parts.

3.Parentheses mean that the corresponding part is a subpart that constructs an assembly part.

4.Dotted lines on the Figures indicate assembly parts.

1. リストページの# 0 1、# 0 2の印は、ページ下の"注記"の説明を参照下さい。
2. 数量欄の数字は、個数を表し、0. 1、2. 5等の数値は、長さ（単位メートル）を表します。
3. 数量欄の（ ）は、組部品を構成している子部品であることを意味します。
4. イラストページの-----枠は、組構成であることを意味します。

NUMERICAL INDEX OF PARTS

PART NO	PAGE	REF NO.
40023662	2	20
40030951	2	7
40035693	2	1
40048528	2	27
40048529	2	19
BT0600401EB	2	5
E2678453000	2	12
EA9500B0100	2	24
G8124270000	2	8
HK034610040	2	14
HK034640000	2	17
NM6080721SE	2	23
PB000010000	2	26
PF0552040B0	2	11
PJ025200003	2	9
PJ304060001	2	4
PJ305065202	2	13
PJ309520001	2	25
PV015211000	2	10
PV915005000	2	2
PX050003000	2	3
PX950009000	2	16
SK3412001SE	2	18
SL4051091SC	2	6
SL9082093SE	2	21
WP0871602SE	2	22