

MODEL : MT01
List No : 1451-03

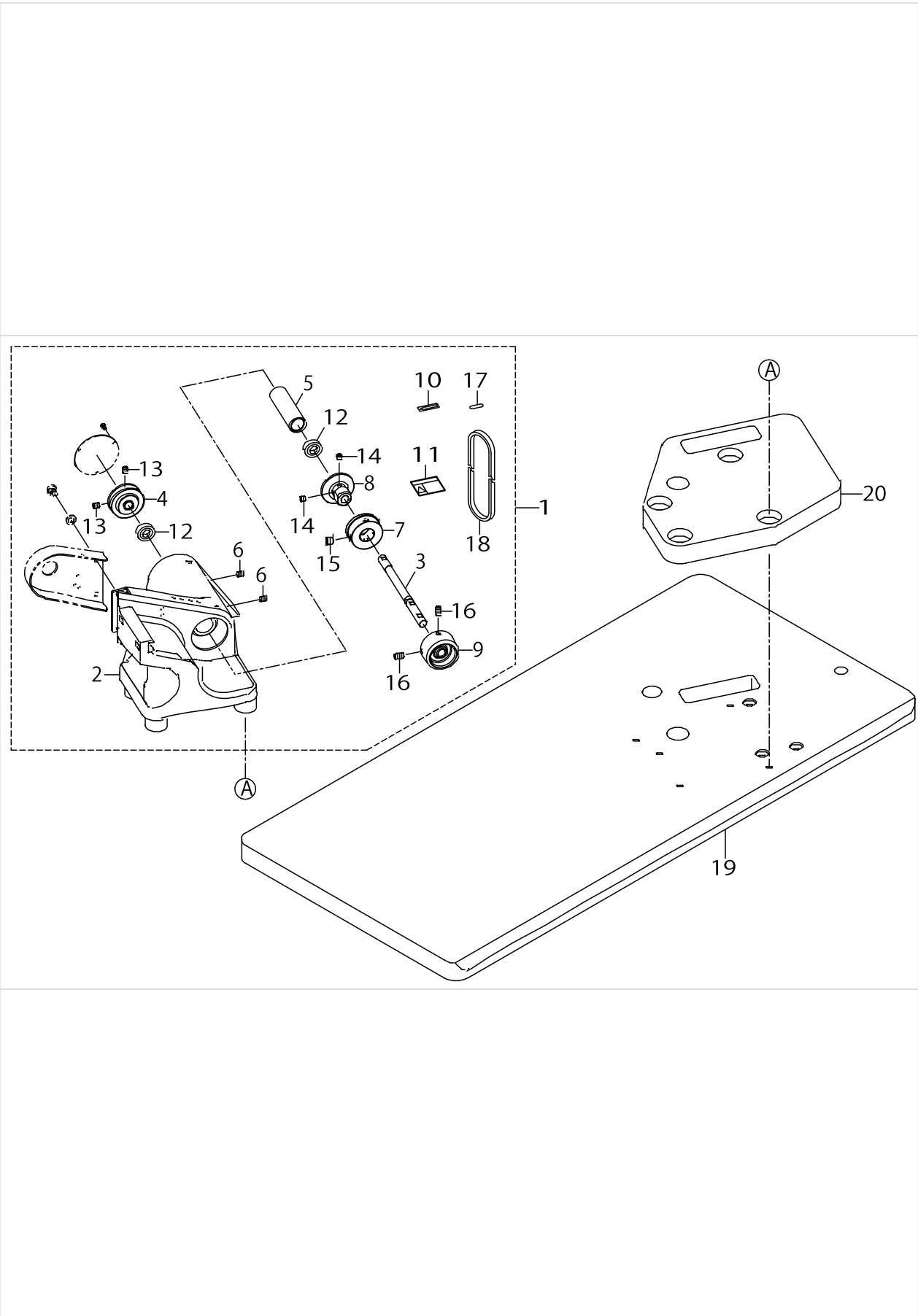
PARTS LIST

Published:09/10/2017

CONTENTS

DEVICE COMPONENTS	1
ACCESSORY PARTS COMPONENTS	3
OPTION COMPONENTS (FOR SC-510).....	5
HOW TO MAKE USE OF THIS PARTS LIST	7

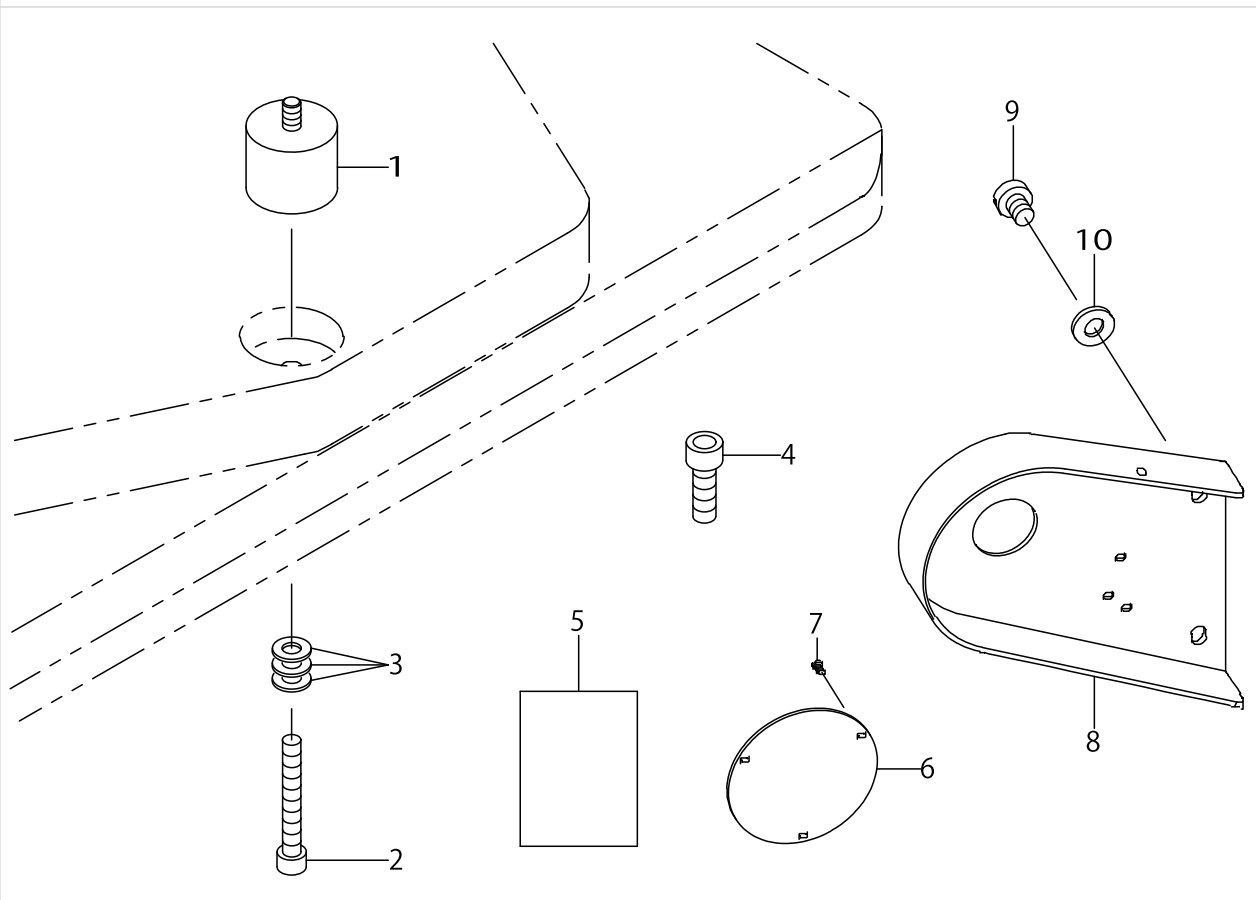
DEVICE COMPONENTS



DEVICE COMPONENTS

No.	Parts No.	Parts name	Remarks	Level	Cons	Qty
1	40032724	MOUNTING_BASE_ASSEMBLY				1
2	40038664	MOUNTING_BASE_COMPLETE		*		1
3	40032726	PULLEY_SHAFT		*		1
4	40032727	PULLEY		*		1
5	40032728	SLEEVE		*		1
6	SM8060812TP	SCREW M6 L=8		*		2
7	40032731	ADJUSTING_PULLEY_1		*		1
8	40032732	ADJUSTING_PULLEY_2		*		1
9	13406608	UPPER_PULLEY		*		1
10	CM500300001	DIRECTION LABEL		*		1
11	CM3002002A1	SAFETY LABEL 4 (SMALL)		*		1
12	SB115000400	RADIAL BEARING		*		2
13	SM8060812TP	SCREW M6 L=8		*		2
14	SM8060612TP	SCREW M6 L=6		*		2
15	SM8080812TP	SCREW M8X8		*		1
16	SM8061212TP	SCREW M6X12		*		2
17	22901508	INDICATION PLATE A		*		1
18	MTJVM002900	V-BELT 29 INCH		*		1
19	40035801	TABLE				1
20	40036113	SUB_TABLE				1

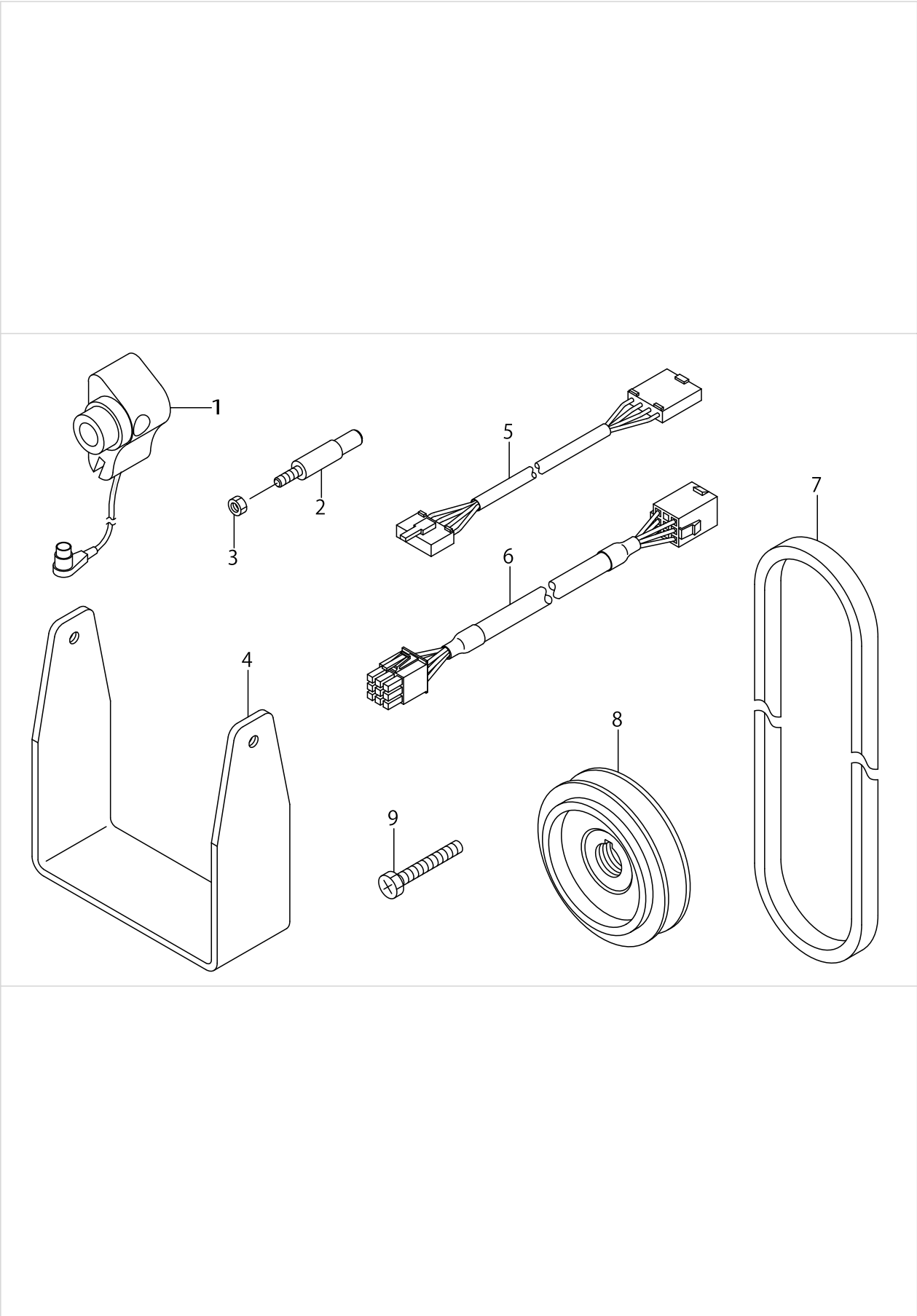
ACCESSORY PARTS COMPONENTS



ACCESSORY PARTS COMPONENTS

No.	Parts No.	Parts name	Remarks	Level	Cons	Qty
1	40038678	ISOLATOR				4
2	SM6086002TP	SCREW				4
3	WP0841601SC	WASHER 8.4X17.4X1.6				12
4	24676207	SCREW				2
5	40038973	MT_SERIES_INSTRUCTION_PARTS_MA				1
6	40032729	PULLEY_COVER				1
7	SM6030600SP	SCREW M3X0.5 L=6				3
8	40039385	BELT COVER				1
9	SM6060800SP	SCREW M6 L=8				2
10	WP0641601SC	WASHER				2

OPTION COMPONENTS (FOR SC-510)



OPTION COMPONENTS (FOR SC-510)

No.	Parts No.	Parts name	Remarks	Level	Cons	Qty
1	40026920	SYNCHRONIZER ASM				1
2	40039345	SYNCHRONIZER_STUD_ASSY				1
3	NM6040001SP	NUT M4X0.7				1
4	40038677	BOX_HANGER				2
5	40038014	SERVO MOTOR RERAY CODE ASM				1
6	40038058	ENCODER_CORD_ASM				1
7	MTJVM003200	V-BELT, 32 INCH				1
8	MTSP0065A00	MOTOR PULLEY P.C.D 65				1
9	ST9053511SR	TAPPING SCREW M5X35				6

HOW TO MAKE USE OF THIS PARTS LIST

1.As to "#01" and "#02" refer to the "Note" given at the bottom of the respective pages.

2.Codes on the "Qty" column

- Each numeral indicates the number of parts required.
- "0.1" and "2.5" indicate the length (in meters) of the respective parts.

3.Parentheses mean that the corresponding part is a subpart that constructs an assembly part.

4.Dotted lines on the Figures indicate assembly parts.

1. リストページの# 0 1、# 0 2の印は、ページ下の"注記"の説明を参照下さい。
2. 数量欄の数字は、個数を表し、0. 1、2. 5等の数値は、長さ（単位メートル）を表します。
3. 数量欄の（ ）は、組部品を構成している子部品であることを意味します。
4. イラストページの-----枠は、組構成であることを意味します。

NUMERICAL INDEX OF PARTS

PART NO	PAGE	REF NO.
13406608	2	9
22901508	2	17
24676207	4	4
40026920	6	1
40032724	2	1
40032726	2	3
40032727	2	4
40032728	2	5
40032729	4	6
40032731	2	7
40032732	2	8
40035801	2	19
40036113	2	20
40038014	6	5
40038058	6	6
40038664	2	2
40038677	6	4
40038678	4	1
40038973	4	5
40039345	6	2
40039385	4	8
CM3002002A1	2	11
CM500300001	2	10
MTJVM002900	2	18
MTJVM003200	6	7
MTSP0065A00	6	8
NM6040001SP	6	3
SB115000400	2	12
SM6030600SP	4	7
SM6060800SP	4	9
SM6086002TP	4	2
SM8060612TP	2	14
SM8060812TP	2	13
SM8061212TP	2	16
SM8080812TP	2	15
ST9053511SR	6	9
WP0641601SC	4	10
WP0841601SC	4	3