

MODEL : UT31 (For China)

List No : 1444-05

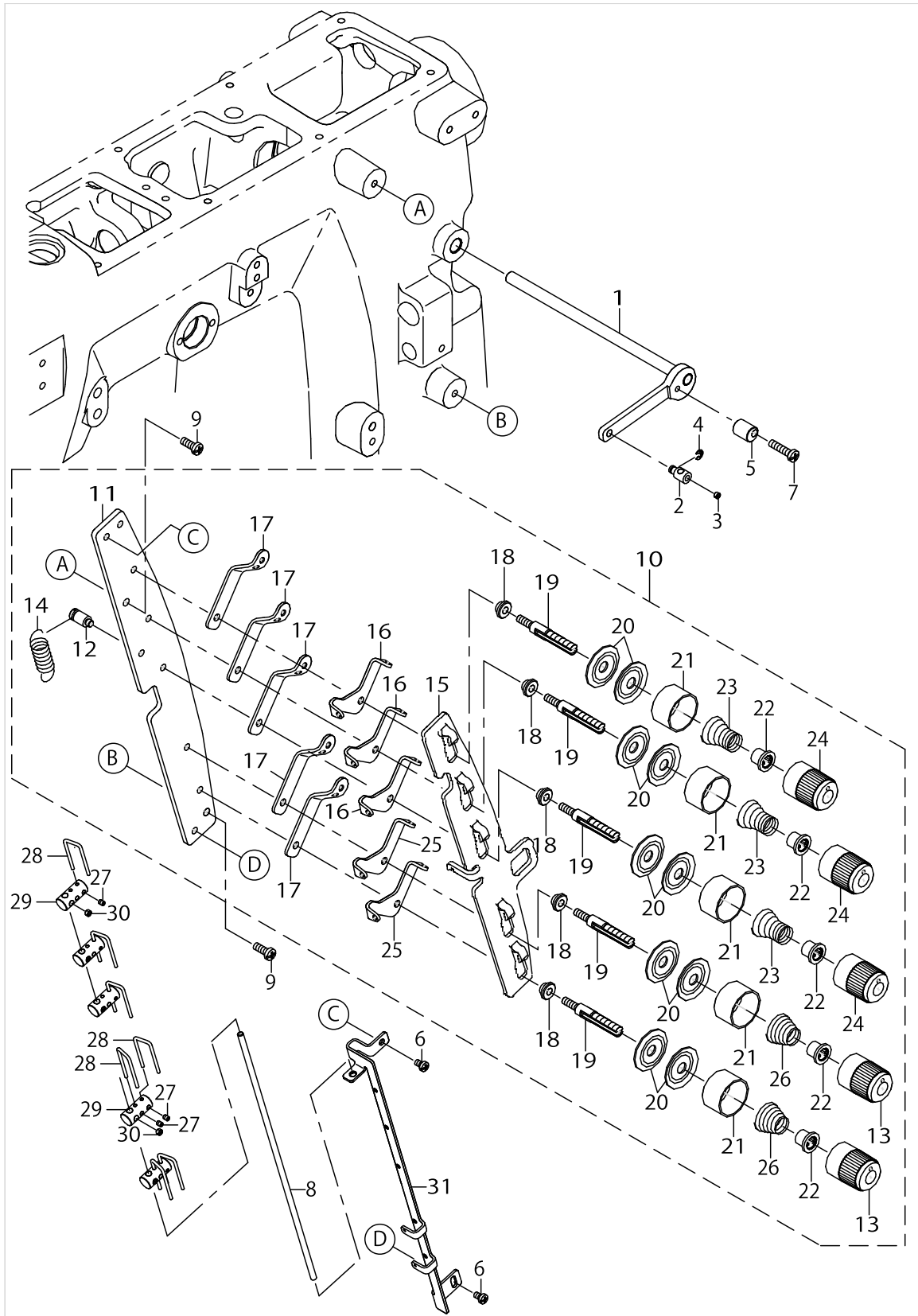
PARTS LIST

Published:09/10/2017

CONTENTS

THREAD TENSION COMPONENTS	1
MISCELLANEOUS COVER COMPONENTS.....	3
LOOPER THREAD TRIMMER COMPONENTS	5
ELECTROMAGNETIC THREAD TRIMMER DRIVE & PRESSER FEED LIFTER COMPONENTS	7
TOP COVER THREAD TRIMMER COMPONENTS	11
ACCESSORIE PARTS COMPONENTS	13
HOW TO MAKE USE OF THIS PARTS LIST	15

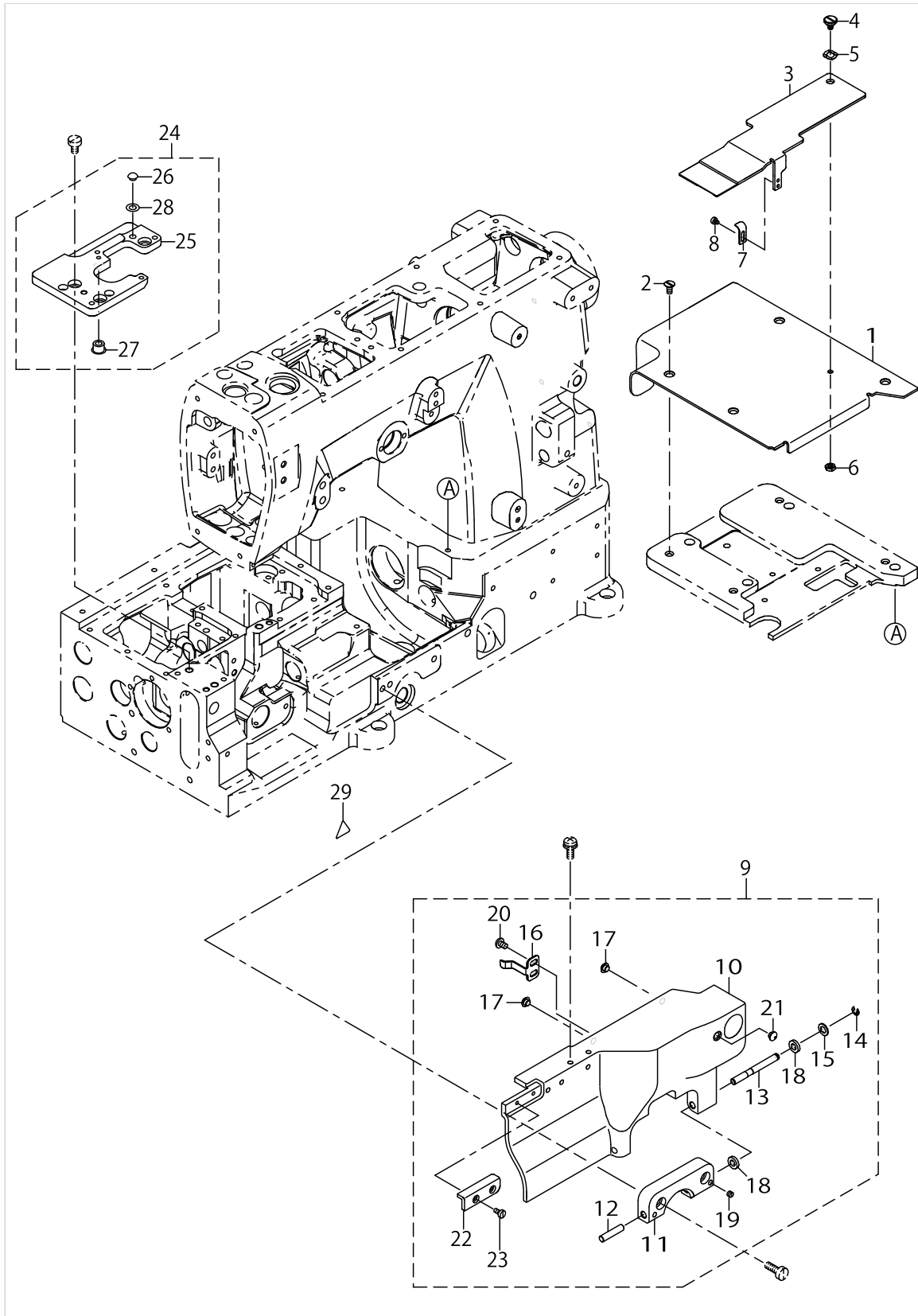
THREAD TENSION COMPONENTS



THREAD TENSION COMPONENTS

No.	Parts No.	Parts name	Remarks	Level	Cons	Qty
1	13456553	PULL_OFF_LEVER_ASSY				1
2	13456405	THD_PULL_OFF_BAR_HOLDER				1
3	SM8040360TP	SCREW				1
4	RE0300000K0	E-RING 3				1
5	40065785	TENS_RELEASE_ADJ_ECC				1
6	SM4040655SP	SCREW M4 L=6				2
7	SM4041655SP	SCREW M4 L=16				1
8	13456108	PULL_OFF_BAR				1
9	SM4041055SP	SCREW				2
10	40066136	THREAD_TENSION_ASSY				1
11	13340203	TENSION POST SUPPORT		*		1
12	13340302	SHOULDER SCREW		*		1
13	13341706	KNOB		*		2
14	B2008372000	THREAD TENSION SPRING		*		1
15	40065784	TENSION_DISC_SEPARATOR		*		1
16	13341607	TENSION_DISC_EYELET_2		*		3
17	13340609	THREAD LEAD IN GUIDE		*		5
18	13340708	SPACER		*		5
19	13340807	TENSION POST		*		5
20	13138201	THREAD TENSION DISK		*		10
21	13137609	THREAD TENSION DISK PRESSER		*		5
22	13137906	SPRING BUSHING		*		5
23	13140504	TENNSION SPRING		*		3
24	13340906	KNOB GREEN		*		3
25	13340500	TENSION DISC EYELET		*		2
26	B3121804000	TENSION SPRING		*		2
27	SM8030412TP	SCREW				7
28	13456603	THD_PULL_OFF_HOOK				7
29	13456207	THD_P_O_HOOK_GUIDE				5
30	SM8040360TP	SCREW				5
31	13456009	THREAD_GUIDE				1

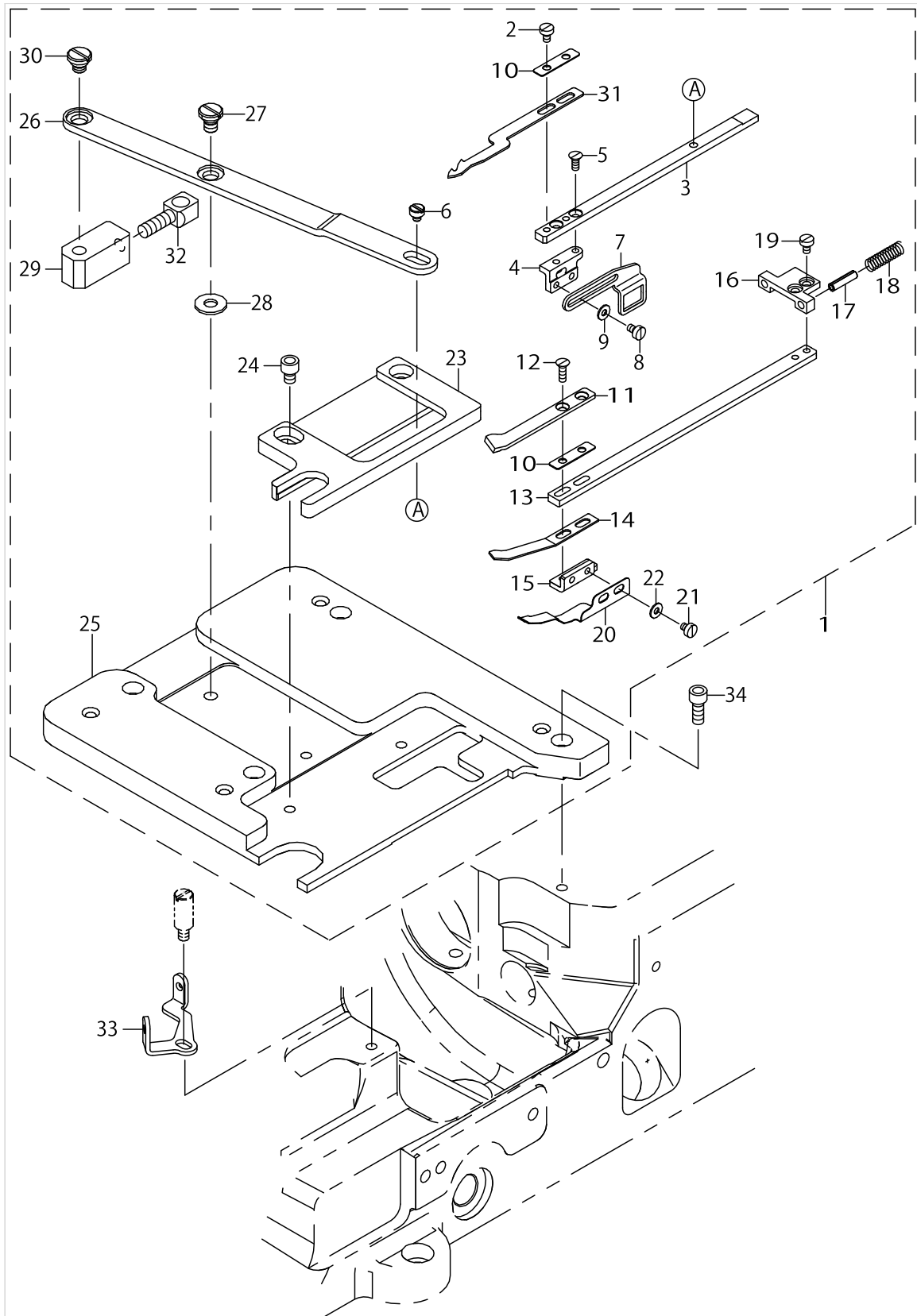
MISCELLANEOUS COVER COMPONENTS



MISCELLANEOUS COVER COMPONENTS

No.	Parts No.	Parts name	Remarks	Level	Cons	Qty
1	40040273	COVER_A_UT				1
2	SM1040800SP	SCREW				4
3	40019325	COVER_B_UT				1
4	SD0600266TP	SHOULDER SCREW D6 H2.6				1
5	WZ0641510KP	WAVED WASHER 6.4X11X0.3				1
6	NM6040003SD	NUT M4				1
7	40019326	LATCH_SPRING_UT				1
8	SM6850300SP	SCREW M2.5 L=3				2
9	40099728	ASSY SWING DOWN COVER UT				1
10	40099712	SWING_DOWN_COVER_UT		*		1
11	40099369	HINGE		*		1
12	13409800	DIFF_LINK_PIN		*		1
13	13305206	PIN_FOR_S_D_COVER		*		1
14	RE0300000K0	E-RING 3		*		1
15	WP0550800SP	WASHER 5.5X10X0.8		*		1
16	13304308	LATCH SPRING		*		1
17	13302302	RUBBER BUMPER		*		2
18	13302708	RUBBER_WASHER		*		2
19	SM8040360TP	SCREW		*		2
20	SM4040655SP	SCREW M4 L=6		*		2
21	13302302	RUBBER BUMPER		*		1
22	40099371	BRACKET		*		1
23	SM6030600SP	SCREW M3X0.5 L=6		*		2
24	40099729	ASSY_TP_SUPPORT_UT				1
25	40099370	THROAT_PLATE_SUPPORT		*		1
26	13302302	RUBBER BUMPER		*		1
27	TA0850604R0	RUBBER PLUG		*		1
28	WP0531000SD	WASHER M5		*		1
29	CM300200001	FINGER INJURY CAUTION LABLE (16)				1

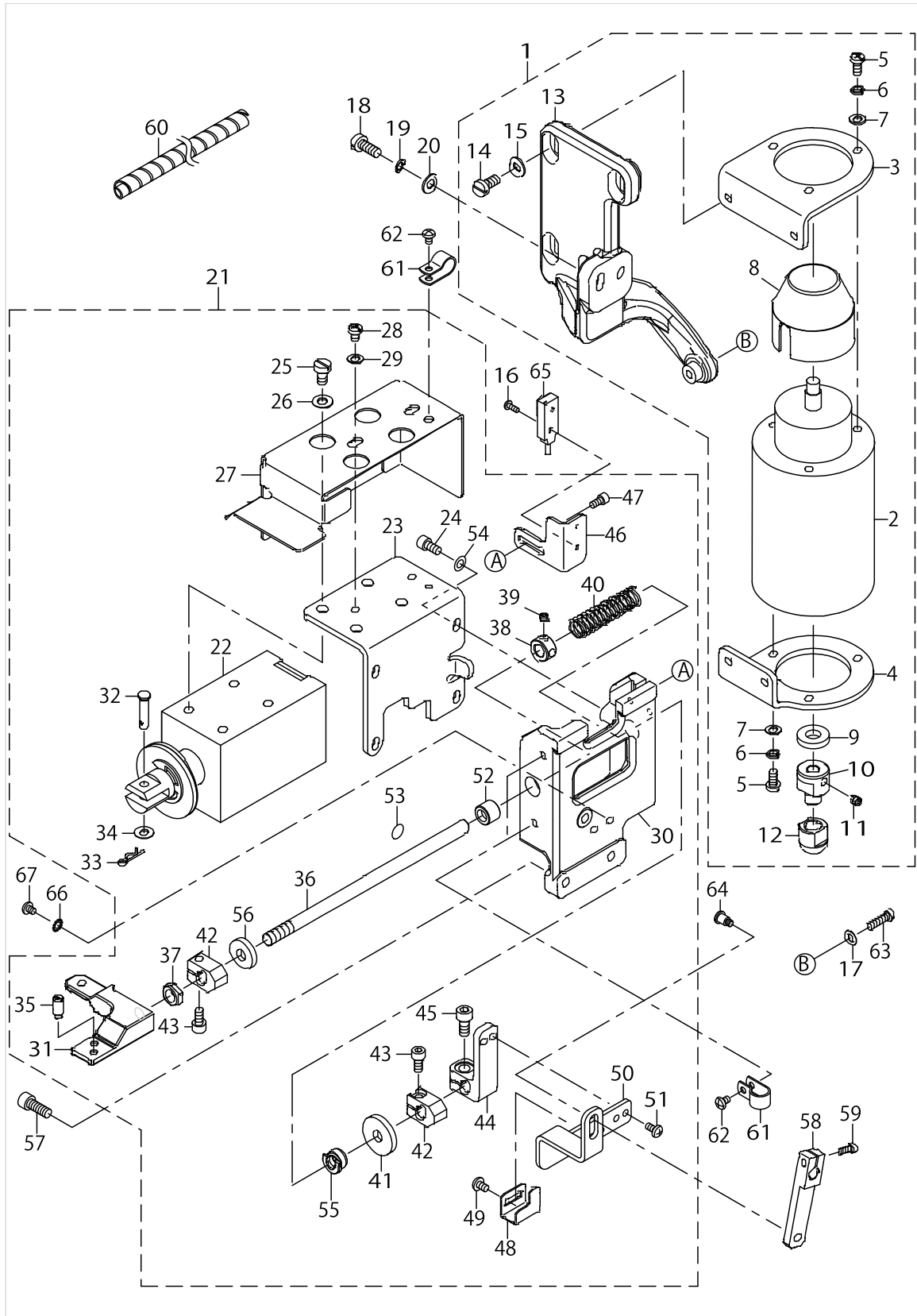
LOOPER THREAD TRIMMER COMPONENTS



LOOPER THREAD TRIMMER COMPONENTS

No.	Parts No.	Parts name	Remarks	Level	Cons	Qty
1	40033411	ASSY_UNDER_TRIMMER_7700				1
2	SM6850400SP	SCREW M2.5 L=4		*		2
3	40019305	LOWER_KNIFE_LEVER_UT		*		1
4	40019306	LOWER_KNIFE_BRACKET_UT		*		1
5	SM1850600SP	SCREW		*		2
6	40019307	LOWER_KNIFE_DRIVE_PIN_UT		*		1
7	40019308	THREAD_TAKE_UP_UT		*		1
8	SM6850400SP	SCREW M2.5 L=4		*		2
9	WP0250516SD	WASHER 2.5X6X0.5		*		2
10	40019309	PLATE_WASHER_UT		*		2
11	40019310	UPPER_KNIFE_UT		*		1
12	SM1850800SP	SCREW M2.5 L=8		*		2
13	40019311	UPPER_KNIFE_LEVER_UT		*		1
14	40019312	KNIFE_SUPPORT_PLATE_UT		*		1
15	40019313	UPPER_KNIFE_BRACKET_UT		*		1
16	40019314	UPPER_KNIFE_STOPPER_UT		*		1
17	PS0300122KH	SPRING PIN 3X12		*		2
18	B1214038000	PLUNGER SPRING		*		2
19	SM6850400SP	SCREW M2.5 L=4		*		2
20	40019315	THREAD_CLAMP_UT		*		1
21	SM6850300SP	SCREW M2.5 L=3		*		2
22	WP0250516SD	WASHER 2.5X6X0.5		*		2
23	40019316	KNIFE_LEVER_GUIDE_UT		*		1
24	SM6040502TP	SCREW M4X0.7 L=5		*		2
25	40019317	CLOTH_PLATE_RIGHT_UT		*		1
26	40019318	LEVER_UT		*		1
27	SD0600206TP	SHOULDER SCREW		*		1
28	B322877100B	BOBBIN WINDER SPACER		*		1
29	40033188	UT_JOINT		*		1
30	SD0640216TP	SHOULDER SCREW		*		1
31	40019304	LOWER_KNIFE_UT		*		1
32	40025990	LINK_DRIVING		*		1
33	40019323	THREAD_GUIDE_UT		*		1
34	SM6041002TP	SCREW M4 L=10		*		4

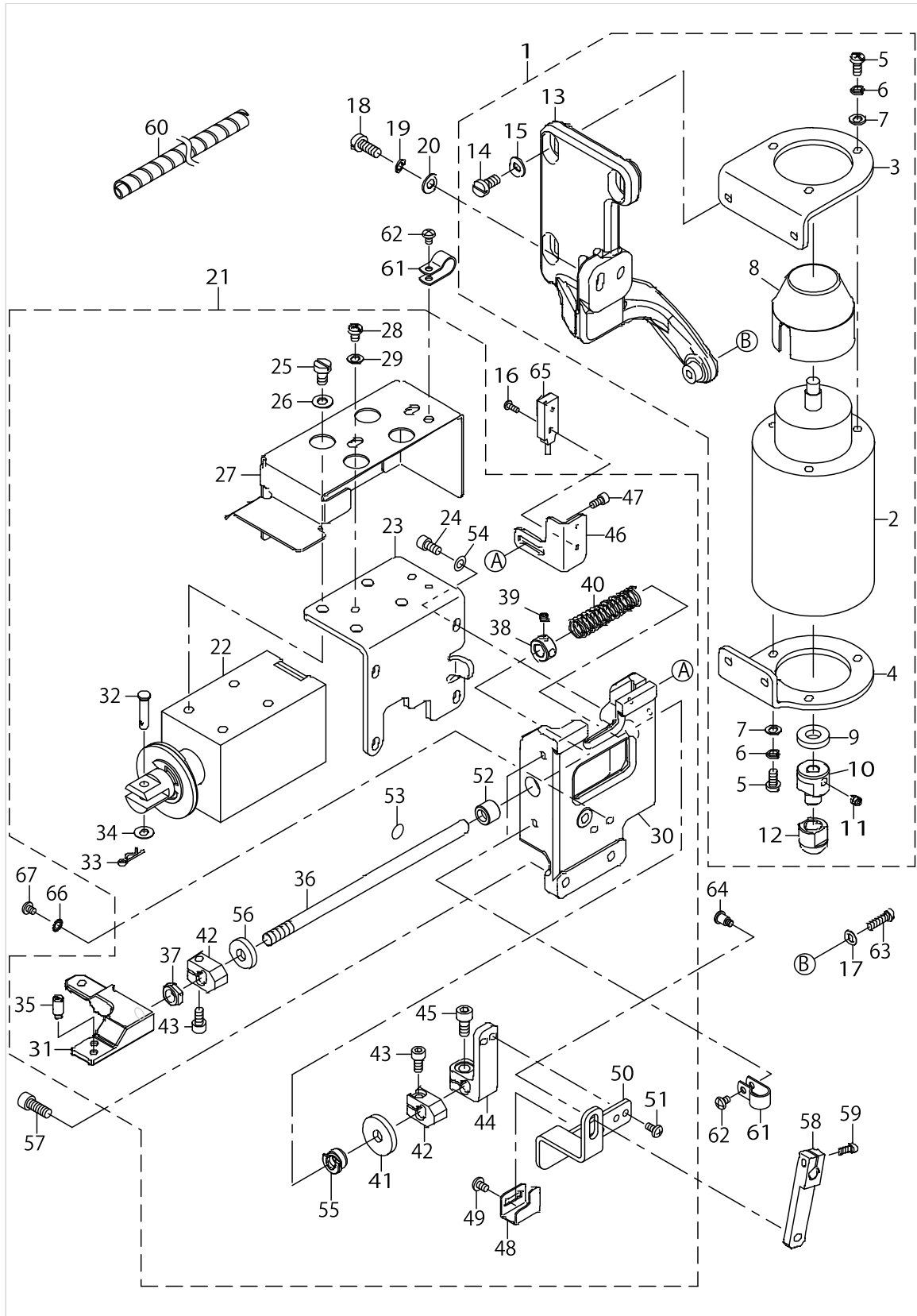
ELECTROMAGNETIC THREAD TRIMMER DRIVE & PRESSER FEED LIFTER COMPONENTS



ELECTROMAGNETIC THREAD TRIMMER DRIVE & PRESSER FEED LIFTER COMPONENTS

No.	Parts No.	Parts name	Remarks	Level	Cons	Qty
1	40030477	SOLENOID_ASSY_B				1
2	40030478	SOLENOID_ASSY_A		*		1
3	40032444	SOLENOID_BRACKET_UPPER		*		1
4	40032445	SOLENOID_BRACKET_LOWER		*		1
5	SM4051055SP	SCREW		*		6
6	WS0510002KP	SPRING WASHER 5.1X9.2X1.3		*		6
7	WP0550800SP	WASHER 5.5X10X0.8		*		6
8	GAK3303600A	SOLENOID COVER		*		1
9	40032703	P_F_RUBBER_WASHER		*		1
10	40032447	CAP_JOINT		*		1
11	SM8050602TP	SCREW M5 L=6		*		1
12	13455100	AIR_CYLINDER_CAP		*		1
13	40032446	SOLENOID_BRACKET		*		1
14	SM6061200SP	SCREW		*		4
15	WP0621016SD	WASHER 6.2X13X1		*		4
16	SM4030855SN	SCREW M3 L=8.0				1
17	WP0450826SC	WASHER 4.5X10X0.8				1
18	SM6061400SP	SCREW M6 L=14				1
19	WS0610002KP	SPRING WASHER				1
20	WP0621016SD	WASHER 6.2X13X1				1
21	40033414	UT ELECTRIC DRIVE ASSY				1
22	40040271	UT_SOLENOID_ASSY		*		1
23	40026935	SOLENOID_BRACKET		*		1
24	SM6051002TP	SCREW M5X0.8 L=10		*		4
25	SM6061010TP	SCREW M6 L=10		*		4
26	WP0621016SD	WASHER 6.2X13X1		*		4
27	40039670	SOLENOID_COVER		*		1
28	SM4050655SP	SCREW M5 L=6		*		2
29	WP0550800SP	WASHER 5.5X10X0.8		*		2
30	40040662	UT_SOLENOID_BASE		*		1
31	40026848	CONN_BLOCK		*		1
32	40039669	MAGNET_PIN		*		1
33	B1515210D00	PIN		*		1
34	WP0560860SE	WASHER 5.6X12X0.8		*		1
35	13442702	PIN		*		1
36	40024097	UT_SHAFT		*		1
37	NM6080003SC	NUT M8		*		1
38	CS0800881TP	THRUST COLLAR		*		1
39	SM8050412TP	SCREW M5 L=4		*		2
40	40042567	SPRING		*		1
41	13443601	WASHER		*		1
42	13442900	COLLAR		*		2
43	SM6051002TP	SCREW M5X0.8 L=10		*		2
44	13443007	PLATE HOLDER		*		1
45	SM6061202TP	SCREW M6 L=12		*		1
46	40024101	SENSOR HOLDER		*		1
47	SM6040802TN	SCREW		*		2

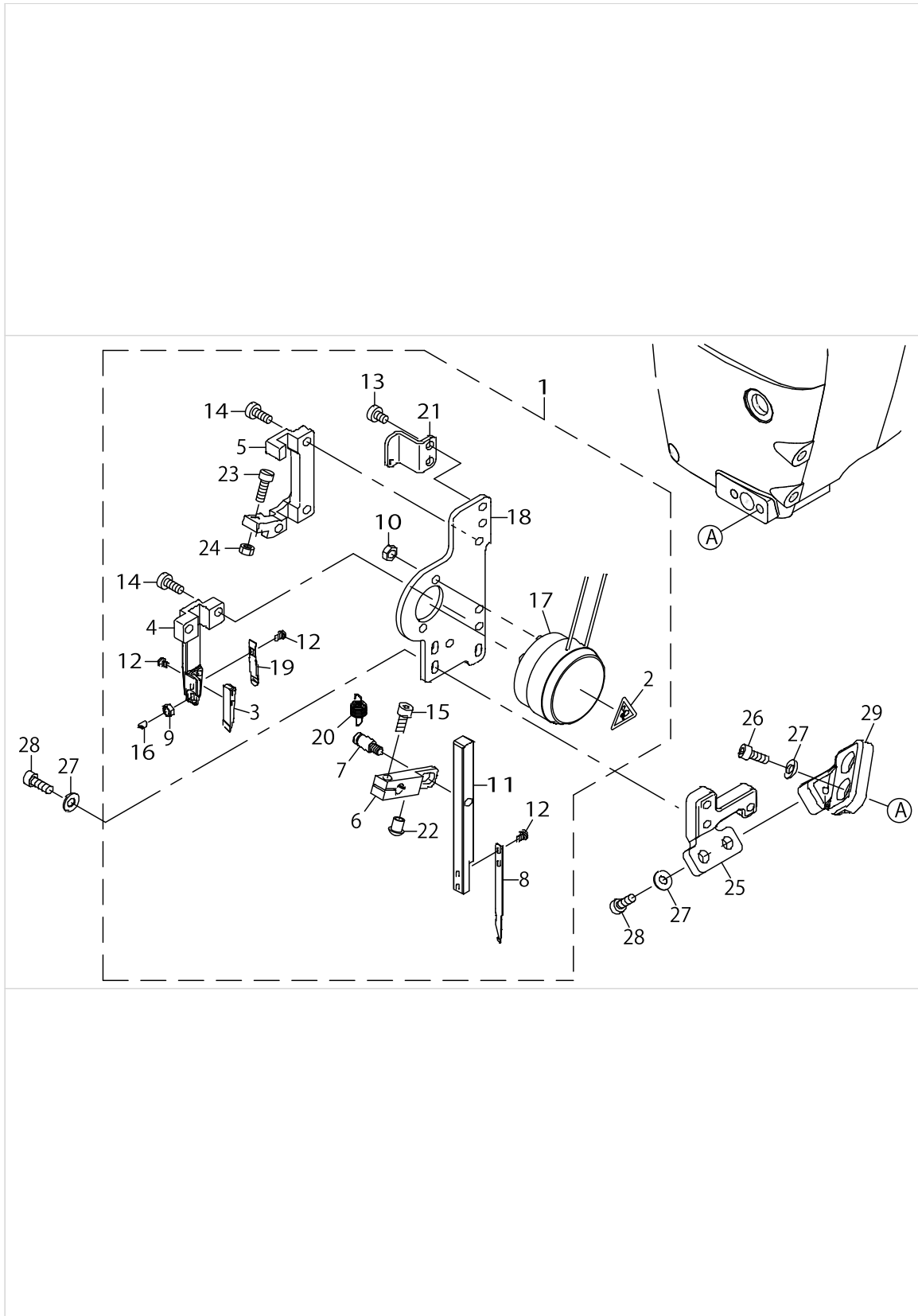
ELECTROMAGNETIC THREAD TRIMMER DRIVE & PRESSER FEED LIFTER COMPONENTS



ELECTROMAGNETIC THREAD TRIMMER DRIVE & PRESSER FEED LIFTER COMPONENTS

No.	Parts No.	Parts name	Remarks	Level	Cons	Qty
48	13443205	SWITCH_PLATE		*		1
49	SM4040655SP	SCREW M4 L=6		*		2
50	40019322	TENS_RELEASE_PLATE_UT		*		1
51	SM4040855SP	SCREW		*		2
52	40040661	BUSHING_UT_SHAFT		*		1
53	22901805	GROUND MARK		*		1
54	WP0550800SP	WASHER 5.5X10X0.8		*		4
55	40038380	BUSHING_UT_SHAFT_RIGHT		*		1
56	40038259	WASHER		*		1
57	SM6061602TP	SCREW M6 L=16				3
58	13443304	TENSION_RELEASE_LEVER				1
59	SM6041202TP	SCREW M4X0.7 L=12				1
60	HX00314000A	SPIRAL TUBE				0.6
61	HX00150000D	CABLE CLIP				3
62	SM4040655SP	SCREW M4 L=6				3
63	SM4041655SP	SCREW M4 L=16				1
64	SD0700706TP	SHOULDER SCREW				1
65	40021746	UNDER_TRIMMER_SENSOR_CABLE_ASM.				1
66	WT0430002KN	WASHER M4				1
67	SM4040501SN	SCREW M4X0.7 L=5				1

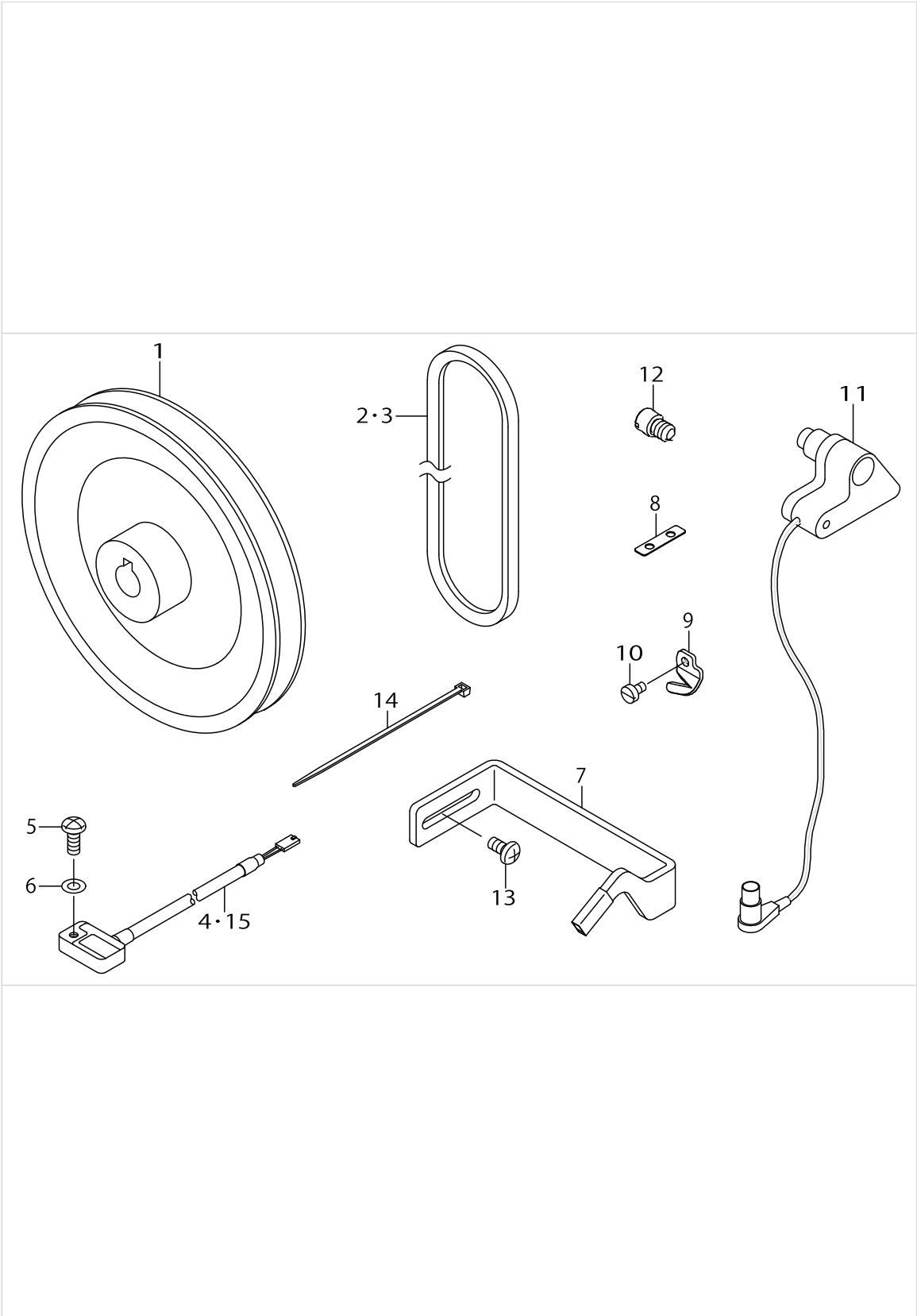
TOP COVER THREAD TRIMMER COMPONENTS



TOP COVER THREAD TRIMMER COMPONENTS

No.	Parts No.	Parts name	Remarks	Level	Cons	Qty
1	40029821	U_L_THD_TRIMMER_ASSY				1
2	CM300200001	ATTENTION SEAL		*		1
3	40029004	FIXED_KNIFE		*		1
4	40029005	FIXED_KNIFE_HOLDER		*		1
5	40024103	HOLDER_GUIDE		*		1
6	40029006	LEVER		*		1
7	40029007	LEVER_PIN		*		1
8	40029008	MOVING_KNIFE		*		1
9	NM6030001SD	NUT M3X0.5		*		1
10	NM6040001SP	NUT M4X0.7		*		2
11	40029010	ROD		*		1
12	SM4850455SP	SCREW		*		5
13	SM6040600SP	SCREW M4 L=6		*		2
14	SM6041000SP	SCREW M4 L=10		*		5
15	SM6041002TP	SCREW M4 L=10		*		1
16	SM8030450SP	SCREW M3 L=4		*		1
17	M85186300A0	THREAD TENSION SOLENOID ASM.		*		1
18	40029011	SOLENOID_BASE		*		1
19	13458401	SPRING		*		1
20	40029012	SPRING		*		1
21	40029013	SPRING_HOOK_BASE		*		1
22	TA0550604R0	RUBBER PLUG		*		1
23	SM6041200SP	SCREW M4 L=12		*		1
24	NM6040001SP	NUT M4X0.7		*		1
25	40029003	BRACKET2				1
26	SM6041002TN	BOLT				2
27	WP0450826SC	WASHER 4.5X10X0.8				5
28	SM6041202TN	SCREW M4X0.7 L=12				5
29	40029002	BRACKET1				1

ACCESSORIE PARTS COMPONENTS



ACCESSORIE PARTS COMPONENTS

No.	Parts No.	Parts name	Remarks	Level	Cons	Qty
1	MTSP0115000A	MOTOR PULLEY	FOR SC-510			1
2	MTJVM003600	V-BELT, 36 INCH	FOR SC-510			1
3	MTJVM003500	V-BELT, 35 INCH	FOR SC-500			1
4	40021727	RESISTOR PACK BL ASM.	FOR MF-7700(SC-500)			1
5	SM4041055SP	SCREW	FOR SC-500			1
6	WP0430800SD	WASHER M4	FOR SC-500			1
7	40082313	STOPPER ASM.				1
8	40019309	PLATE_WASHER_UT				1
9	13316302	THREAD_TRIMMER				1
10	SM6030500SN	SCREW M3 L=5				1
11	40026921	SYNCHRONIZER				1
12	40038326	SOLENOID_BRACKET_PIN				1
13	SM4040855SP	SCREW				2
14	EA9500B0100	CABLE BAND				1
15	40083598	RESISTOR PACK AA ASM.	FOR MF-7700D(SC-500)			1

HOW TO MAKE USE OF THIS PARTS LIST

- 1.As to "#01" and "#02" refer to the "Note" given at the bottom of the respective pages.
- 2.Codes on the "Qty" column
 - Each numeral indicates the number of parts required.
 - "0.1" and "2.5" indicate the length (in meters) of the respective parts.
- 3.Parentheses mean that the corresponding part is a subpart that constructs an assembly part.
- 4.Dotted lines on the Figures indicate assembly parts.

1. リストページの# 0 1、# 0 2の印は、ページ下の"注記"の説明を参照下さい。
2. 数量欄の数字は、個数を表し、0. 1、2. 5等の数値は、長さ（単位メートル）を表します。
3. 数量欄の（ ）は、組部品を構成している子部品であることを意味します。
4. イラストページの-----枠は、組構成であることを意味します。

ALL PARTS NOT MENTIONED IN THIS PARTS LIST ARE SAME AS THOSE OF
MODEL MF-7700. OTHER PARTS LIST RELATED TO THIS MODEL.
*MF-7700. (NO.1402 PART NO.40022741)

このパーツリスト記載以外の部品はMF-7700.と共通です。
この機種に関連するパーツリストとして下記のパーツリストがあります。
*MF-7700 (NO.1402 品番40022741)

NUMERICAL INDEX OF PARTS

PART NO	PAGE	REF NO.	PART NO	PAGE	REF NO.	PART NO	PAGE	REF NO.
13137609	2	21	40019314	6	16	40040271	8	22
13137906	2	22	40019315	6	20	40040273	4	1
13138201	2	20	40019316	6	23	40040661	10	52
13140504	2	23	40019317	6	25	40040662	8	30
13302302	4	26	40019318	6	26	40042567	8	40
13302708	4	18	40019322	10	50	40065784	2	15
13304308	4	16	40019323	6	33	40065785	2	5
13305206	4	13	40019325	4	3	40066136	2	10
13316302	14	9	40019326	4	7	40082313	14	7
13340203	2	11	40021727	14	4-15	40083598	14	4-15
13340302	2	12	40021746	10	65	40099369	4	11
13340500	2	25	40024097	8	36	40099370	4	25
13340609	2	17	40024101	8	46	40099371	4	22
13340708	2	18	40024103	12	5	40099712	4	10
13340807	2	19	40025990	6	32	40099728	4	9
13340906	2	24	40026848	8	31	40099729	4	24
13341607	2	16	40026921	14	11	B1214038000	6	18
13341706	2	13	40026935	8	23	B1515210D00	8	33
13409800	4	12	40029002	12	29	B2008372000	2	14
13442702	8	35	40029003	12	25	B3121804000	2	26
13442900	8	42	40029004	12	3	B322877100B	6	28
13443007	8	44	40029005	12	4	CM300200001	4	29
13443205	10	48	40029006	12	6	CM300200001	12	2
13443304	10	58	40029007	12	7	CS0800881TP	8	38
13443601	8	41	40029008	12	8	EA9500B0100	14	14
13455100	8	12	40029010	12	11	GAK3303600A	8	8
13456009	2	31	40029011	12	18	HX00150000D	10	61
13456108	2	8	40029012	12	20	HX00314000A	10	60
13456207	2	29	40029013	12	21	M85186300A0	12	17
13456405	2	2	40029821	12	1	MTJVM003500	14	2-3
13456553	2	1	40030477	8	1	MTJVM003600	14	2-3
13456603	2	28	40030478	8	2	MTSP0115000A	14	1
13458401	12	19	40032444	8	3	NM6030001SD	12	9
22901805	10	53	40032445	8	4	NM6040001SP	12	24
40019304	6	31	40032446	8	13	NM6040003SD	4	6
40019305	6	3	40032447	8	10	NM6080003SC	8	37
40019306	6	4	40032703	8	9	PS0300122KH	6	17
40019307	6	6	40033188	6	29	RE0300000K0	2	4
40019308	6	7	40033411	6	1	RE0300000K0	4	14
40019309	6	10	40033414	8	21	SD0600206TP	6	27
40019309	14	8	40038259	10	56	SD0600266TP	4	4
40019310	6	11	40038326	14	12	SD0640216TP	6	30
40019311	6	13	40038380	10	55	SD0700706TP	10	64
40019312	6	14	40039669	8	32	SM1040800SP	4	2
40019313	6	15	40039670	8	27	SM1850600SP	6	5

NUMERICAL INDEX OF PARTS

PART NO	PAGE	REF NO.	PART NO	PAGE	REF NO.
SM1850800SP	6	12	WP0430800SD	14	6
SM4030855SN	8	16	WP0450826SC	8	17
SM4040501SN	10	67	WP0450826SC	12	27
SM4040655SP	2	6	WP0531000SD	4	28
SM4040655SP	4	20	WP0550800SP	4	15
SM4040655SP	10	62	WP0550800SP	8	54
SM4040855SP	10	51	WP0550800SP	10	54
SM4040855SP	14	13	WP0560860SE	8	34
SM4041055SP	2	9	WP0621016SD	8	26
SM4041055SP	14	5	WS0510002KP	8	6
SM4041655SP	2	7	WS0610002KP	8	19
SM4041655SP	10	63	WT0430002KN	10	66
SM4050655SP	8	28	WZ0641510KP	4	5
SM4051055SP	8	5			
SM4850455SP	12	12			
SM6030500SN	14	10			
SM6030600SP	4	23			
SM6040502TP	6	24			
SM6040600SP	12	13			
SM6040802TN	8	47			
SM6041000SP	12	14			
SM6041002TN	12	26			
SM6041002TP	6	34			
SM6041002TP	12	15			
SM6041200SP	12	23			
SM6041202TN	12	28			
SM6041202TP	10	59			
SM6051002TP	8	43			
SM6061010TP	8	25			
SM6061200SP	8	14			
SM6061202TP	8	45			
SM6061400SP	8	18			
SM6061602TP	10	57			
SM6850300SP	4	8			
SM6850300SP	6	21			
SM6850400SP	6	19			
SM8030412TP	2	27			
SM8030450SP	12	16			
SM8040360TP	2	30			
SM8040360TP	4	19			
SM8050412TP	8	39			
SM8050602TP	8	11			
TA0550604R0	12	22			
TA0850604R0	4	27			
WP0250516SD	6	22			