

MODEL : UT23
List No : 1440-02

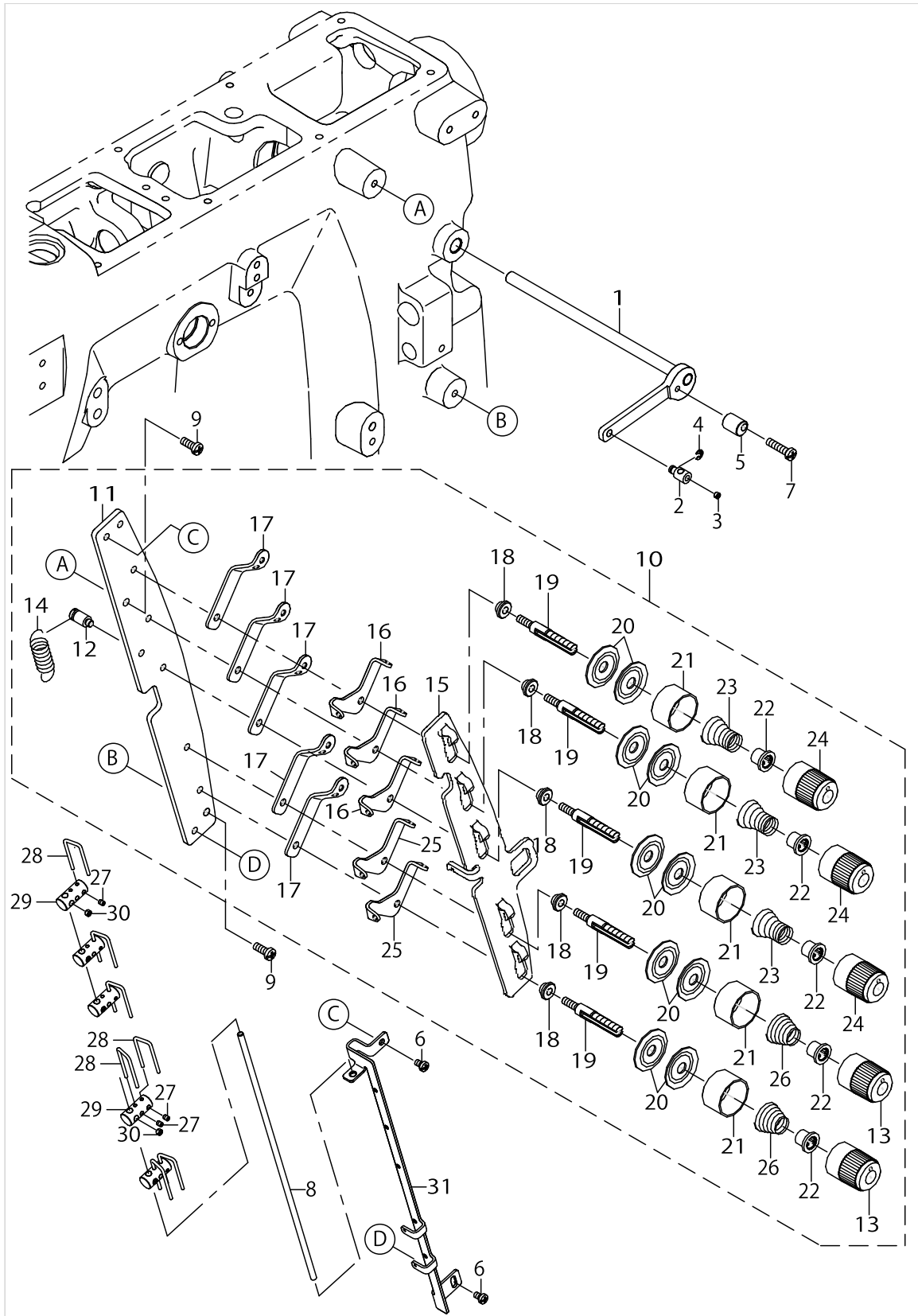
PARTS LIST

Published:09/10/2017

CONTENTS

THREAD TENSION COMPONENTS	1
LOOPER THREAD TRIMMER COMPONENTS	3
PNEUMATIC DRIVE & PRESSER FEED LIFTER COMPONENTS.....	5
NEEDLE THREAD WIPER COMPONENTS	9
ACCESSORIE PART COMPONENTS.....	11
HOW TO MAKE USE OF THIS PARTS LIST	13

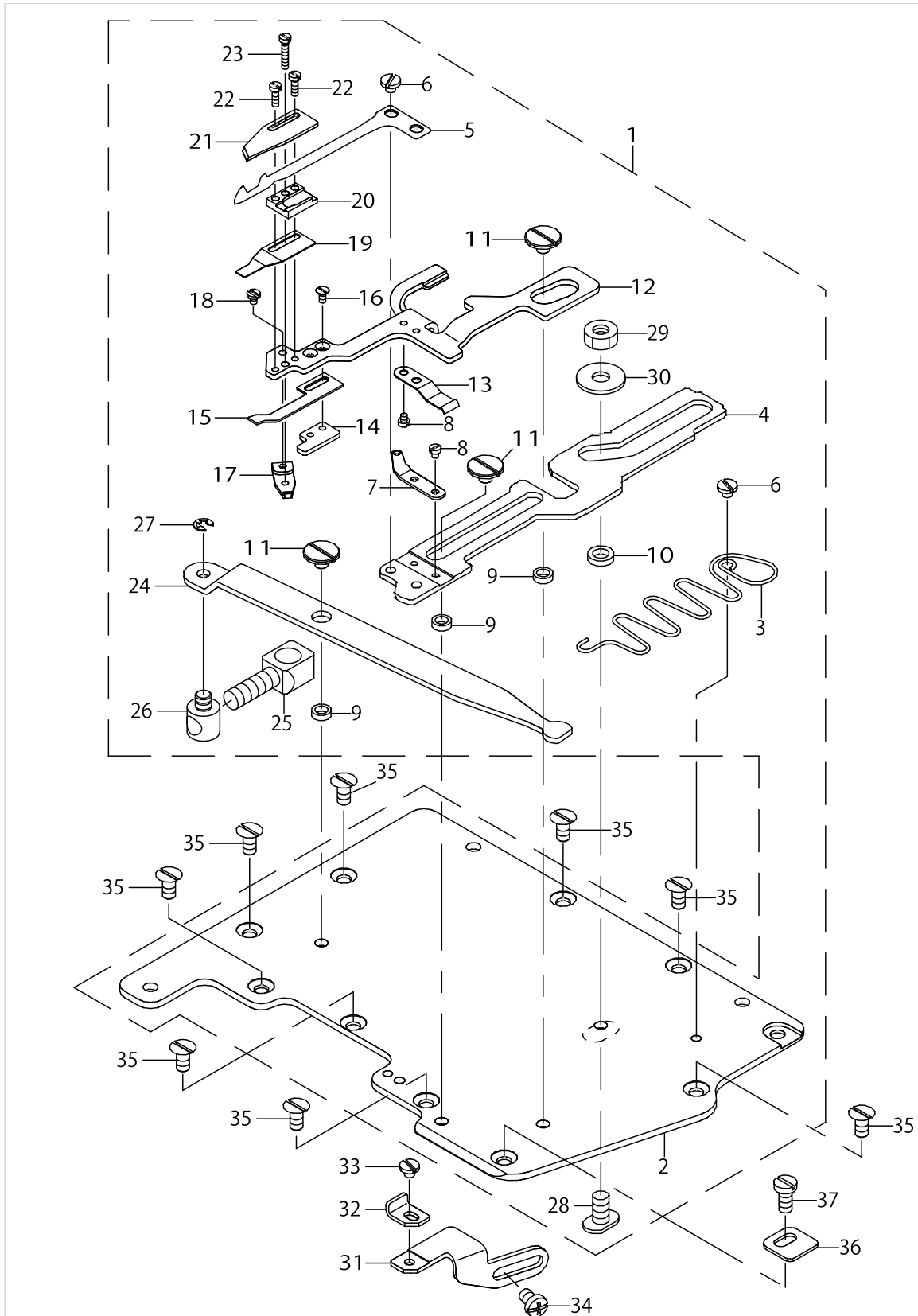
THREAD TENSION COMPONENTS



THREAD TENSION COMPONENTS

No.	Parts No.	Parts name	Remarks	Level	Cons	Qty
1	13456553	PULL_OFF_LEVER_ASSY				1
2	13456405	THD_PULL_OFF_BAR_HOLDER				1
3	SM8040360TP	SCREW				1
4	RE0300000K0	E-RING 3				1
5	40065785	TENS_RELEASE_ADJ_ECC				1
6	SM4040655SP	SCREW M4 L=6				2
7	SM4041655SP	SCREW M4 L=16				1
8	13456108	PULL_OFF_BAR				1
9	SM4041055SP	SCREW				2
10	40066136	THREAD_TENSION_ASSY				1
11	13340203	TENSION POST SUPPORT		*		1
12	13340302	SHOULDER SCREW		*		1
13	13341706	KNOB		*		2
14	B2008372000	THREAD TENSION SPRING		*		1
15	40065784	TENSION_DISC_SEPARATOR		*		1
16	13341607	TENSION_DISC_EYELET_2		*		3
17	13340609	THREAD LEAD IN GUIDE		*		5
18	13340708	SPACER		*		5
19	13340807	TENSION POST		*		5
20	13138201	THREAD TENSION DISK		*		10
21	13137609	THREAD TENSION DISK PRESSER		*		5
22	13137906	SPRING BUSHING		*		5
23	13140504	TENNSION SPRING		*		3
24	13340906	KNOB GREEN		*		3
25	13340500	TENSION DISC EYELET		*		2
26	B3121804000	TENSION SPRING		*		2
27	SM8030412TP	SCREW				7
28	13456603	THD_PULL_OFF_HOOK				7
29	13456207	THD_P_O_HOOK_GUIDE				5
30	SM8040360TP	SCREW				5
31	13456009	THREAD_GUIDE				1

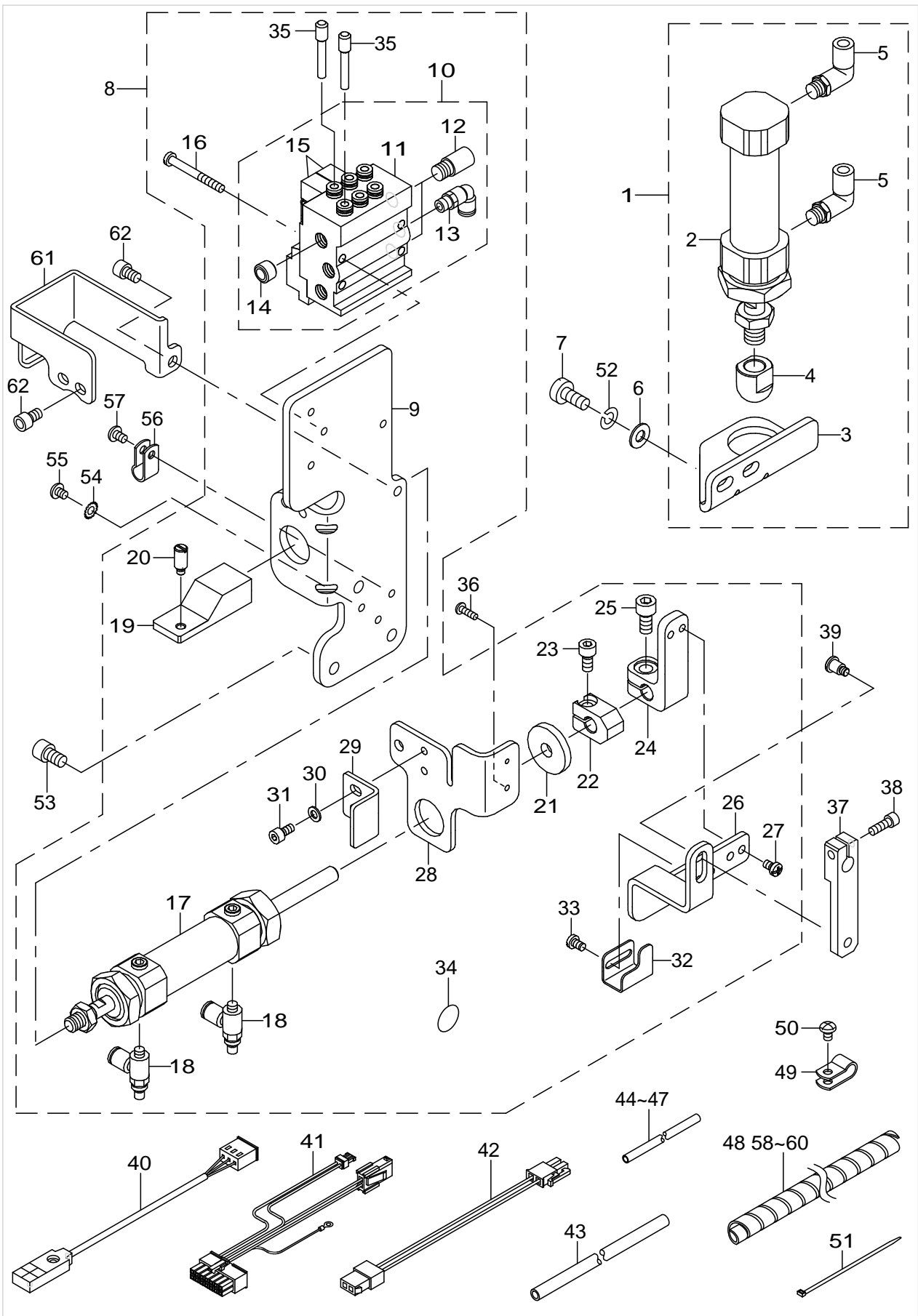
LOOPER THREAD TRIMMER COMPONENTS



LOOPER THREAD TRIMMER COMPONENTS

No.	Parts No.	Parts name	Remarks	Level	Cons	Qty
1	40026174	UNDER_TRIMMER_ASSY				1
2	40070201	BED_TOP_COVER_FOR_UT		*		1
3	13440409	SPRING_FOR_UT		*		1
4	13440102	LOWER_KNIFE HOLDER		*		1
5	13441308	LOWER_KNIFE		*		1
6	SM6030350SN	SCREW M3 L=2.5		*		3
7	13440805	EYELET		*		1
8	SM6020250TP	SCREW.		*		4
9	13440904	SPACER_1		*		3
10	13441001	SPACER_2		*		1
11	SM6040460TP	SCREW		*		3
12	13440201	KNIFE HOLDER_GUIDE		*		1
13	13441902	LEAF_SPRING-2		*		1
14	13441605	THREADED_PLATE		*		1
15	13441803	LEAF_SPRING-1		*		1
16	SM1020450TP	SCREW M2 L=4		*		2
17	13441506	TENSION_LEVER		*		1
18	SM6020600TP	SCREW		*		1
19	13442207	LEAF_SPRING-3		*		1
20	13441407	LOWER_KNIFE_GUIDE		*		1
21	13441704	UPPER_KNIFE		*		1
22	SM6020600TP	SCREW		*		2
23	SM6021000TP	SCREW		*		1
24	13440300	LEVER		*		1
25	40025990	LINK_DRIVING		*		1
26	40025989	BOLT_CARRIER		*		1
27	RE0250000K0	E-RING 2.5		*		1
28	40070110	SCREW		*		1
29	NM6040001SP	NUT M4X0.7		*		1
30	WP0431005SP	PLAIN WASHER 4.3X12X1		*		1
31	13440607	GUIDE_BASE				1
32	13440706	GUIDE				1
33	SM6030350SN	SCREW M3 L=2.5				1
34	SM4040655SN	SCREW M4X0.7 L=6				2
35	SM1040860SP	SCREW				8
36	13440508	STOP_PLATE				1
37	SM6040870SP	SCREW				1

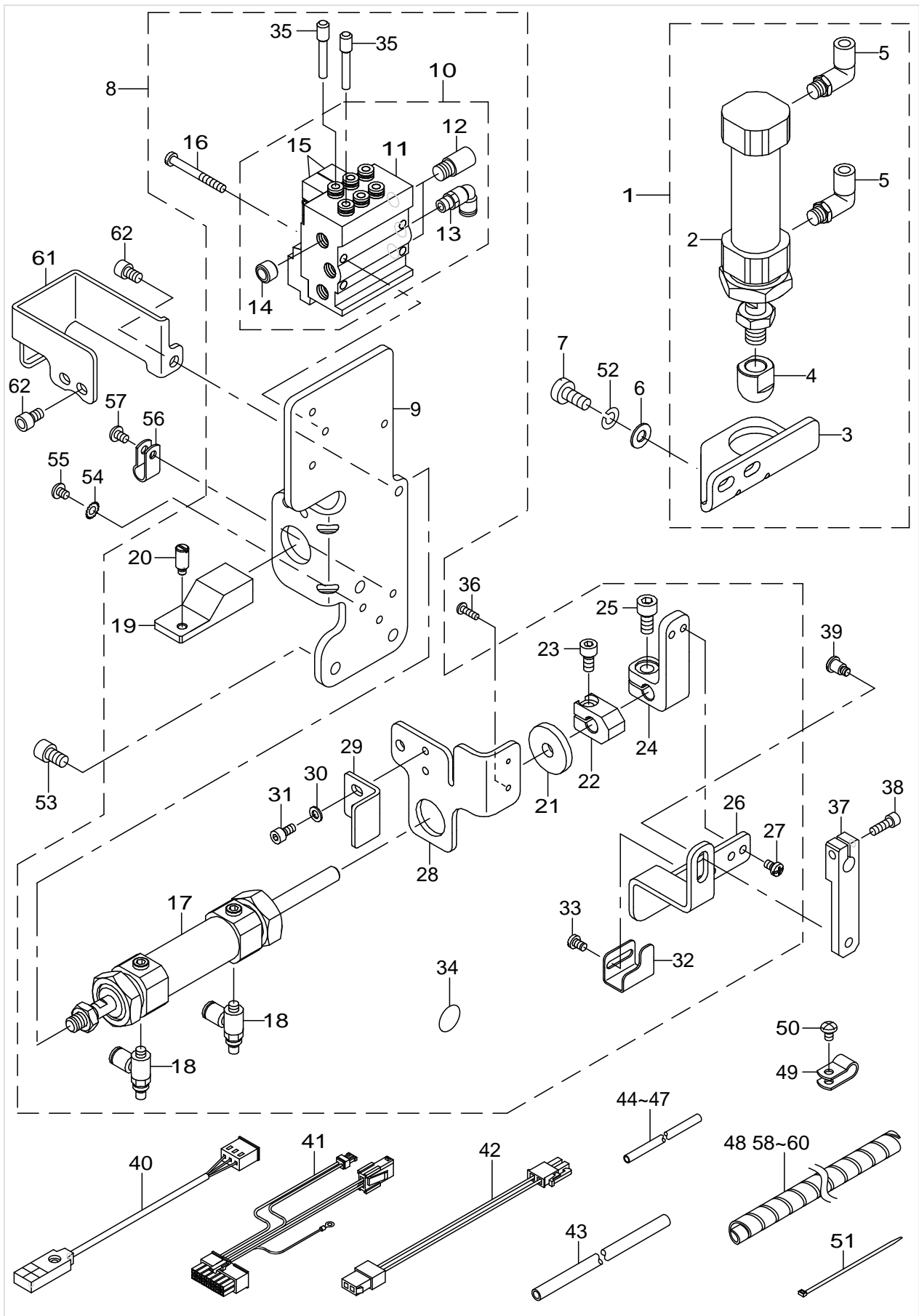
PNEUMATIC DRIVE & PRESSER FEED LIFTER COMPONENTS



PNEUMATIC DRIVE & PRESSER FEED LIFTER COMPONENTS

No.	Parts No.	Parts name	Remarks	Level	Cons	Qty
1	40018079	PNEUMATIC_P_F_LIFTER_ASSY				1
2	PA2503004A0	AIR CYLINDER		*		1
3	13455001	AIR_CYLINDER_BRACKET		*		1
4	13455100	AIR_CYLINDER_CAP		*		1
5	PJ304045102	ELBOW UNION, C		*		2
6	WP0621016SD	WASHER 6.2X13X1				2
7	SM6061400SP	SCREW M6 L=14				2
8	40018365	PNEUMATIC_DRIVE_ASSY				1
9	13442504	AIR_CYLINDER_BRACKET		*		1
10	40072396	MANIFOLD_VALVE_ASSY		*		1
11	PV035161000	MANIFOLD		*		1
12	PX055104000	SILENCER (PT1/8)		*		2
13	PJ304065101	ELBOW UNION 6XPT1/8		*		1
14	PJ025100002	PLUG R1/8		*		3
15	PV150103200	5-PORT SOKENOID VALVE		*		2
16	SM4043555SP	SCREW		*		2
17	PA2001802A0	AIR CYLINDER		*		1
18	PC010508000	SPEED CONTROLLER		*		2
19	13442603	PLUNGER		*		1
20	13442702	PIN		*		1
21	13443601	WASHER		*		1
22	13442900	COLLAR		*		1
23	SM6051002TP	SCREW M5X0.8 L=10		*		1
24	13443007	PLATE HOLDER		*		1
25	SM6061202TP	SCREW M6 L=12		*		1
26	13443106	TENS_RELEASE_PLATE		*		1
27	SM4040655SP	SCREW M4 L=6		*		2
28	13442801	SENSOR HOLDER		*		1
29	13443700	SUPPORT_PLATE_UT		*		1
30	WP0430800SC	WASHER M4		*		2
31	SM6040802TP	SCREW M4X0.7 L=8		*		2
32	13443205	SWITCH_PLATE		*		1
33	SM4040655SP	SCREW M4 L=6		*		2
34	22901805	GROUND MARK		*		1
35	PX500014000	PLUG		*		2
36	SM4031001SN	SCREW				1
37	13443304	TENSION_RELEASE_LEVER				1
38	SM6041202TP	SCREW M4X0.7 L=12				1
39	SD0700706TP	SHOULDER SCREW				1
40	40021746	UNDER_TRIMMER_SENSOR_CABLE_ASM				1
41	40034194	UT23_UT_CABLE_ASSY				1
42	40027213	LIFT_UP_CABLE_B_ASM.				1
43	BT0600401EB	TUBE				2
44	BT0400251EB	URETHANE HOSE, BLACK				0.34
45	BT0400251EB	URETHANE HOSE, BLACK				0.32
46	BT0400251EB	URETHANE HOSE, BLACK				0.22
47	BT0400251EB	URETHANE HOSE, BLACK				0.3

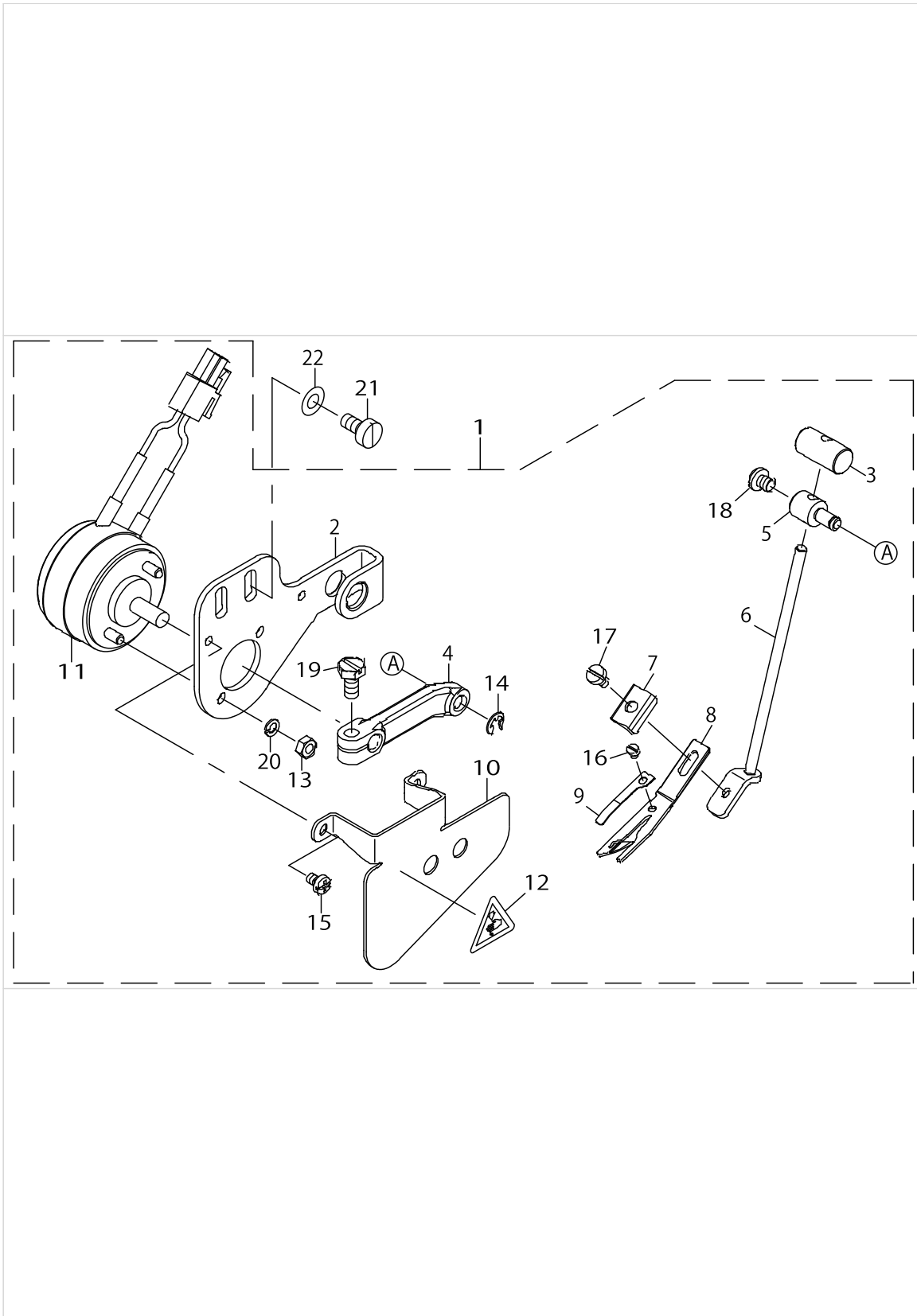
PNEUMATIC DRIVE & PRESSER FEED LIFTER COMPONENTS



PNEUMATIC DRIVE & PRESSER FEED LIFTER COMPONENTS

No.	Parts No.	Parts name	Remarks	Level	Cons	Qty
48	HX00314000A	SPIRAL TUBE				0.6
49	HX00150000B	CABLE CLIP				2
50	SM4040655SP	SCREW M4 L=6				2
51	EA9500B0100	CABLE BAND				3
52	WS0610002KP	SPRING WASHER				2
53	SM6061002TP	SCREW M6 L=10				3
54	WT0430002KN	WASHER M4				1
55	SM4040501SN	SCREW M4X0.7 L=5				1
56	HX00150000D	CABLE CLIP				1
57	SM4040655SP	SCREW M4 L=6				1
58	HX003140000	SPIRAL TUBE				1.25
59	HX00314000D	SPIRAL TUBE				0.12
60	HX00314000D	SPIRAL TUBE				0.1
61	40069703	SOLENOIDE_COVER				1
62	SM6050802TP	SCREW M5X0.8 L=8				3

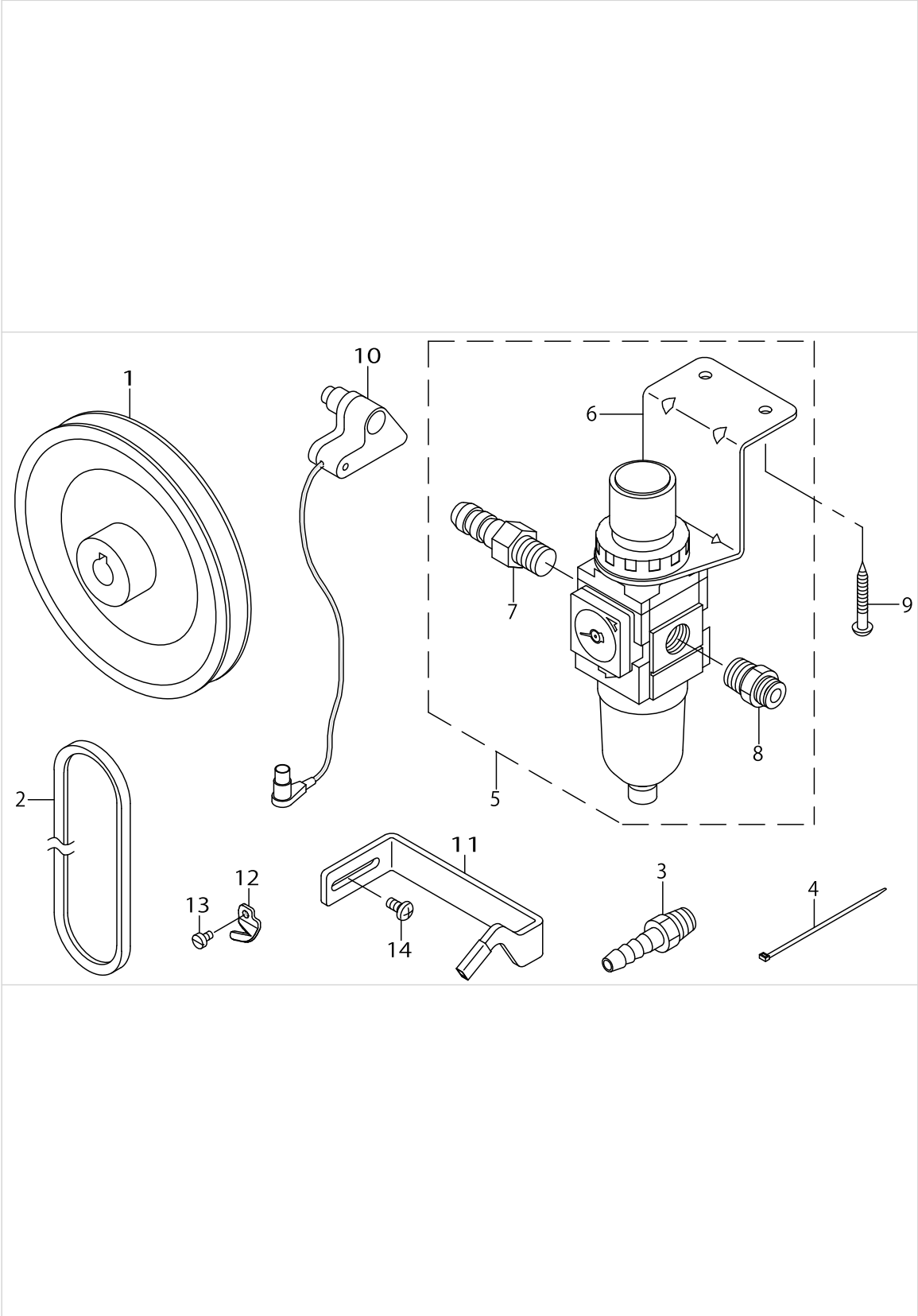
NEEDLE THREAD WIPER COMPONENTS



NEEDLE THREAD WIPER COMPONENTS

No.	Parts No.	Parts name	Remarks	Level	Cons	Qty
1	40031642	NEEDLE_THREAD_WIPER_ASSY				1
2	40031388	SOLENOID_BRACKET		*		1
3	40031390	WIPER_BAR_GUIDE		*		1
4	40031391	SOLENOID_LEVER		*		1
5	40031392	SOLENOID_LEVER_PIN		*		1
6	40031394	WIPER_BAR_ASSY		*		1
7	40031396	WIPER HOLDER		*		1
8	40031397	WIPER		*		1
9	40031399	THD_CLAMP_SPRING		*		1
10	40031402	SAFETY_COVER		*		1
11	40032661	ROTARY_SOLENOID_ASSY		*		1
12	CM300200001	ATTENTION SEAL		*		1
13	NM6030001SN	NUT		*		2
14	RE0300000K0	E-RING 3		*		1
15	SM4030455SP	SCREW		*		2
16	SM6020250TP	SCREW.		*		1
17	SM6030500SN	SCREW M3 L=5		*		1
18	SM6040450TP	SCREW M4 L=4		*		1
19	SM9040800SP	SCREW		*		1
20	WS0310002KN	SPRING WASHER M3		*		2
21	SM6040800SP	SCREW				2
22	WP0450826SC	WASHER 4.5X10X0.8				2

ACCESSORIE PART COMPONENTS



ACCESSORIE PART COMPONENTS

No.	Parts No.	Parts name	Remarks	Level	Cons	Qty
1	MTSP0115000A	MOTOR PULLEY				1
2	MTJVM004000	V-BELT, 40 INCH				1
3	PJ032526001	HOSE NIPPLE				1
4	EA9500B0100	CABLE BAND				4
5	40018052	FILTER_REGULATOR_ASSY				1
6	PF0552070C0	FILTER GEGULATOR		*		1
7	F1021003000	HOSE JOINT		*		1
8	PJ301065201	HALF UNION 6XPT1/4		*		1
9	SK3451600SC	WOOD SCREW D=4.5 L=16				2
10	40026921	SYNCHRONIZER				1
11	40082313	STOPPER ASM				1
12	13316302	THREAD_TRIMMER				1
13	SM6030500SN	SCREW M3 L=5				1
14	SM4040855SP	SCREW				2

HOW TO MAKE USE OF THIS PARTS LIST

- 1.As to "#01" and "#02" refer to the "Note" given at the bottom of the respective pages.
- 2.Codes on the "Qty" column
 - Each numeral indicates the number of parts required.
 - "0.1" and "2.5" indicate the length (in meters) of the respective parts.
- 3.Parentheses mean that the corresponding part is a subpart that constructs an assembly part.
- 4.Dotted lines on the Figures indicate assembly parts.

ALL PARTS NOT MENTIONED IN THIS PARTS LIST ARE SAME AS THOSE OF
MODEL MF-7800. OTHER PARTS LIST RELATED TO THIS MODEL.
*MF-7800 SERIES (NO.1379 PART NO.13450002)

NUMERICAL INDEX OF PARTS

PART NO	PAGE	REF NO.	PART NO	PAGE	REF NO.	PART NO	PAGE	REF NO.
13137609	2	21	13456009	2	31	HX00150000D	8	56
13137906	2	22	13456108	2	8	HX003140000	8	48·58~ 60
13138201	2	20	13456207	2	29			
13140504	2	23	13456405	2	2	HX00314000A	8	48·58~ 60
13316302	12	12	13456553	2	1			
13340203	2	11	13456603	2	28	HX00314000D	8	48·58~ 60
13340302	2	12	22901805	6	34	MTJVM004000	12	2
13340500	2	25	40018052	12	5	MTSP0115000A	12	1
13340609	2	17	40018079	6	1	NM6030001SN	10	13
13340708	2	18	40018365	6	8	NM6040001SP	4	29
13340807	2	19	40021746	6	40	PA2001802A0	6	17
13340906	2	24	40025989	4	26	PA2503004A0	6	2
13341607	2	16	40025990	4	25	PC010508000	6	18
13341706	2	13	40026174	4	1	PF0552070C0	12	6
13440102	4	4	40026921	12	10	PJ025100002	6	14
13440201	4	12	40027213	6	42	PJ032526001	12	3
13440300	4	24	40031388	10	2	PJ301065201	12	8
13440409	4	3	40031390	10	3	PJ304045102	6	5
13440508	4	36	40031391	10	4	PJ304065101	6	13
13440607	4	31	40031392	10	5	PV035161000	6	11
13440706	4	32	40031394	10	6	PV150103200	6	15
13440805	4	7	40031396	10	7	PX055104000	6	12
13440904	4	9	40031397	10	8	PX500014000	6	35
13441001	4	10	40031399	10	9	RE0250000K0	4	27
13441308	4	5	40031402	10	10	RE0300000K0	2	4
13441407	4	20	40031642	10	1	RE0300000K0	10	14
13441506	4	17	40032661	10	11	SD0700706TP	6	39
13441605	4	14	40034194	6	41	SK3451600SC	12	9
13441704	4	21	40065784	2	15	SM1020450TP	4	16
13441803	4	15	40065785	2	5	SM1040860SP	4	35
13441902	4	13	40066136	2	10	SM4030455SP	10	15
13442207	4	19	40069703	8	61	SM4031001SN	6	36
13442504	6	9	40070110	4	28	SM4040501SN	8	55
13442603	6	19	40070201	4	2	SM4040655SN	4	34
13442702	6	20	40072396	6	10	SM4040655SP	2	6
13442801	6	28	40082313	12	11	SM4040655SP	6	57
13442900	6	22	B2008372000	2	14	SM4040655SP	8	57
13443007	6	24	B3121804000	2	26	SM4040855SP	12	14
13443106	6	26	BT0400251EB	6	44~47	SM4041055SP	2	9
13443205	6	32	BT0600401EB	6	43	SM4041655SP	2	7
13443304	6	37	CM300200001	10	12	SM4043555SP	6	16
13443601	6	21	EA9500B0100	8	51	SM6020250TP	4	8
13443700	6	29	EA9500B0100	12	4	SM6020250TP	10	16
13455001	6	3	F1021003000	12	7	SM6020600TP	4	22
13455100	6	4	HX00150000B	8	49	SM6021000TP	4	23

NUMERICAL INDEX OF PARTS

PART NO	PAGE	REF NO.
SM6030350SN	4	33
SM6030500SN	10	17
SM6030500SN	12	13
SM6040450TP	10	18
SM6040460TP	4	11
SM6040800SP	10	21
SM6040802TP	6	31
SM6040870SP	4	37
SM6041202TP	6	38
SM6050802TP	8	62
SM6051002TP	6	23
SM6061002TP	8	53
SM6061202TP	6	25
SM6061400SP	6	7
SM8030412TP	2	27
SM8040360TP	2	30
SM9040800SP	10	19
WP0430800SC	6	30
WP0431005SP	4	30
WP0450826SC	10	22
WP0621016SD	6	6
WS0310002KN	10	20
WS0610002KP	8	52
WT0430002KN	8	54