

MODEL : UT21/UT22

List No : 1437-04

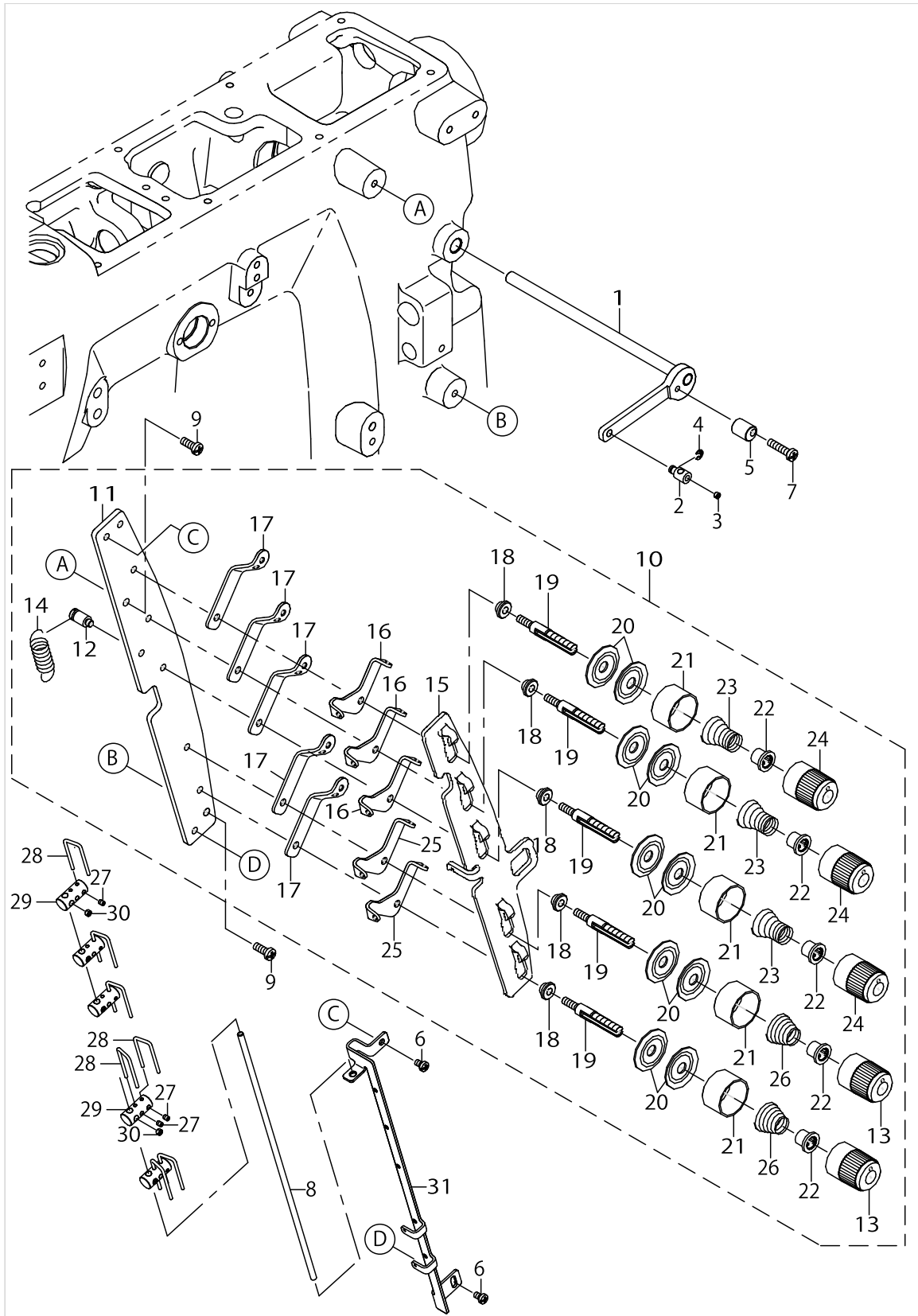
PARTS LIST

Published:09/10/2017

CONTENTS

THREAD TENSION COMPONENTS	1
LOOPER THREAD TRIMMER COMPONENTS	3
ELECTROMAGNETIC THREAD TRIMMER DRIVE & PRESSER FEED LIFTER COMPONENTS	5
TOP COVER THREAD TRIMMER COMPONENTS	9
NEEDLE THREAD WIPER COMPONENTS	11
ACCESSORIE PART COMPONENTS	13
HOW TO MAKE USE OF THIS PARTS LIST	15

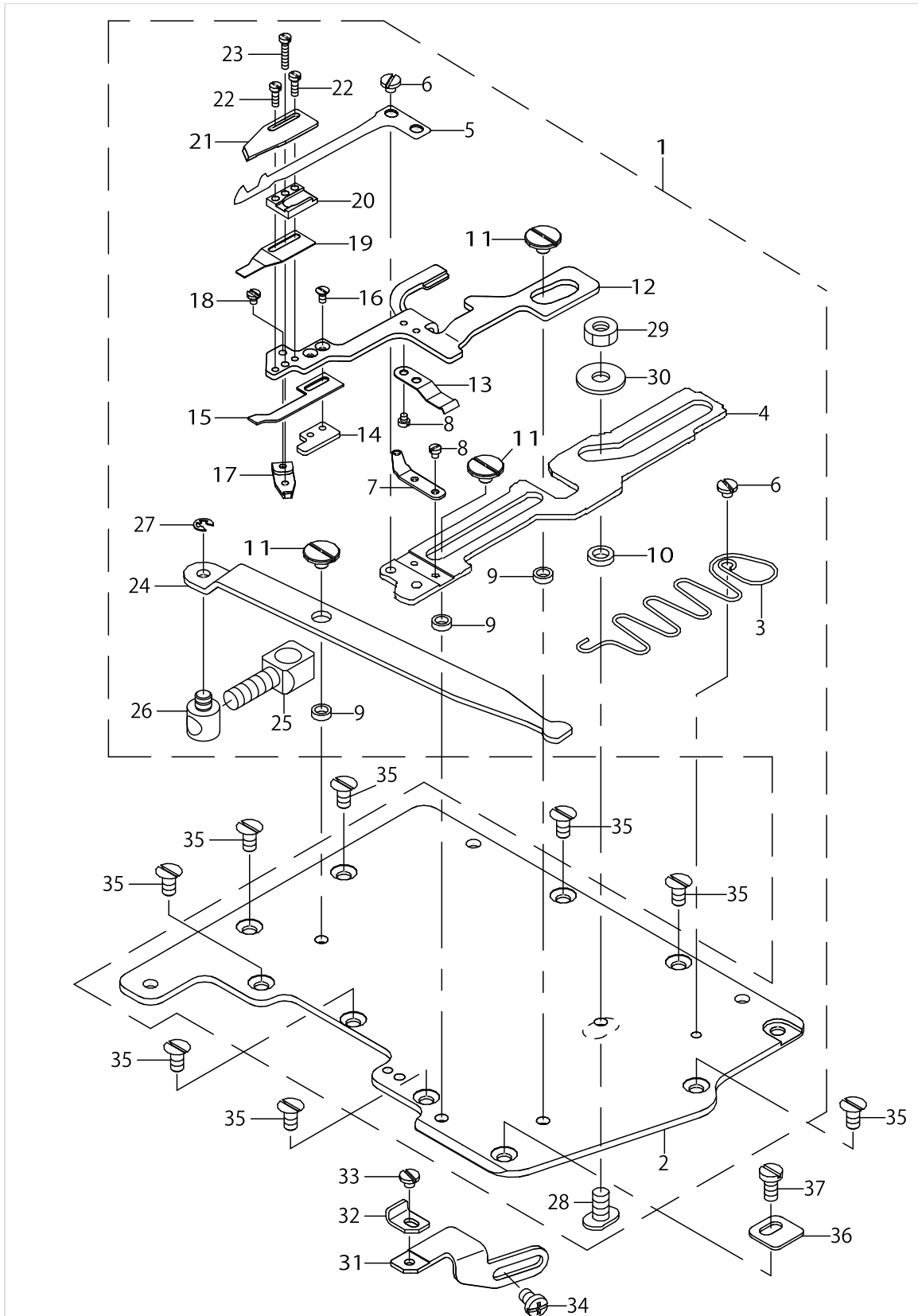
THREAD TENSION COMPONENTS



THREAD TENSION COMPONENTS

No.	Parts No.	Parts name	Remarks	Level	Cons	Qty
1	13456553	PULL_OFF_LEVER_ASSY				1
2	13456405	THD_PULL_OFF_BAR_HOLDER				1
3	SM8040360TP	SCREW				1
4	RE0300000K0	E-RING 3				1
5	40065785	TENS_RELEASE_ADJ_ECC				1
6	SM4040655SP	SCREW M4 L=6				2
7	SM4041655SP	SCREW M4 L=16				1
8	13456108	PULL_OFF_BAR				1
9	SM4041055SP	SCREW				2
10	40066136	THREAD_TENSION_ASSY				1
11	13340203	TENSION POST SUPPORT		*		1
12	13340302	SHOULDER SCREW		*		1
13	13341706	KNOB		*		2
14	B2008372000	THREAD TENSION SPRING		*		1
15	40065784	TENSION_DISC_SEPARATOR		*		1
16	13341607	TENSION_DISC_EYELET_2		*		3
17	13340609	THREAD LEAD IN GUIDE		*		5
18	13340708	SPACER		*		5
19	13340807	TENSION POST		*		5
20	13138201	THREAD TENSION DISK		*		10
21	13137609	THREAD TENSION DISK PRESSER		*		5
22	13137906	SPRING BUSHING		*		5
23	13140504	TENNSION SPRING		*		3
24	13340906	KNOB GREEN		*		3
25	13340500	TENSION DISC EYELET		*		2
26	B3121804000	TENSION SPRING		*		2
27	SM8030412TP	SCREW				7
28	13456603	THD_PULL_OFF_HOOK				7
29	13456207	THD_P_O_HOOK_GUIDE				5
30	SM8040360TP	SCREW				5
31	13456009	THREAD_GUIDE				1

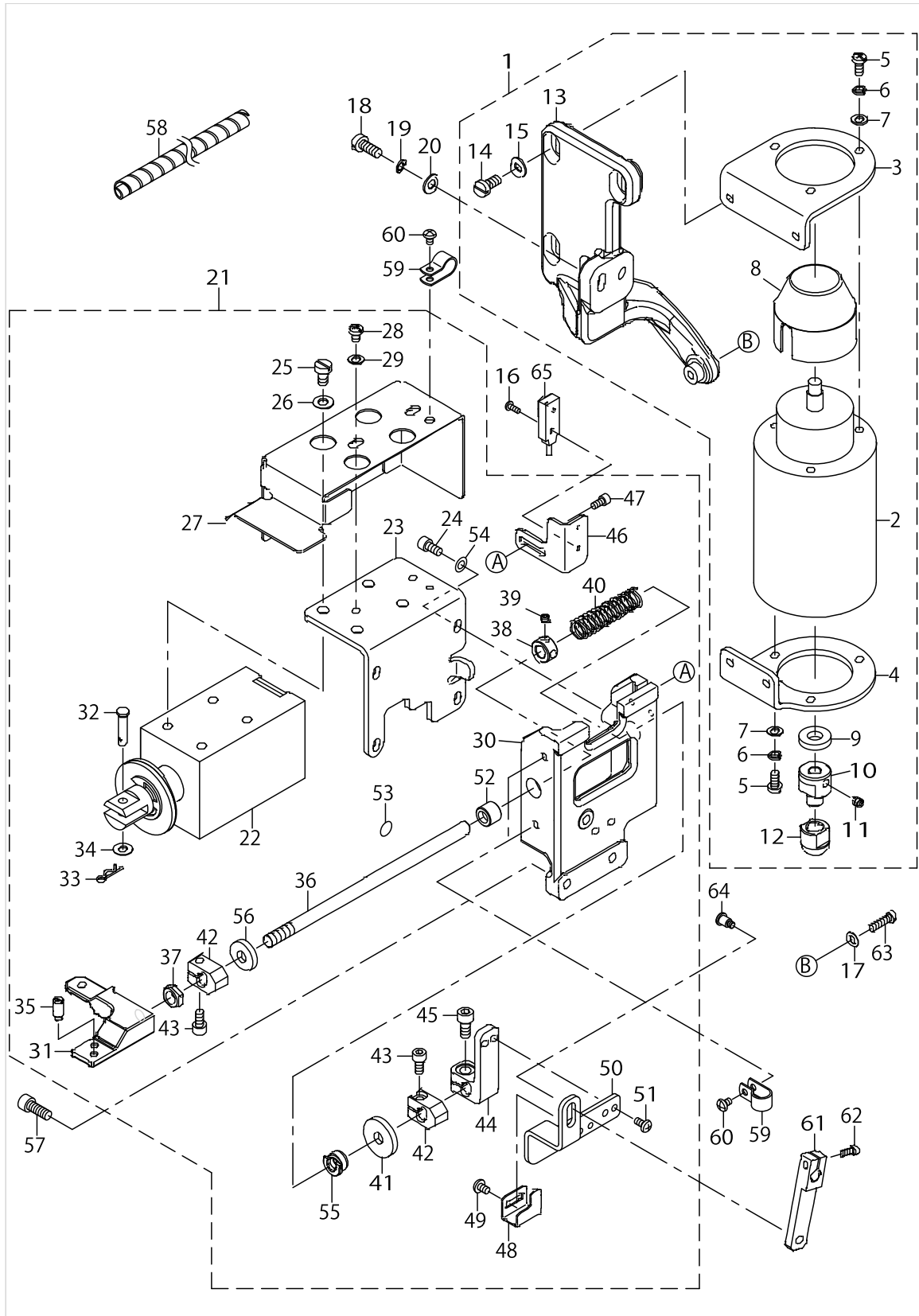
LOOPER THREAD TRIMMER COMPONENTS



LOOPER THREAD TRIMMER COMPONENTS

No.	Parts No.	Parts name	Remarks	Level	Cons	Qty
1	40026174	UNDER_TRIMMER_ASSY				1
2	40070201	BED_TOP_COVER_FOR_UT		*		1
3	13440409	SPRING_FOR_UT		*		1
4	13440102	LOWER_KNIFE HOLDER		*		1
5	13441308	LOWER_KNIFE		*		1
6	SM6030350SN	SCREW M3 L=2.5		*		3
7	13440805	EYELET		*		1
8	SM6020250TP	SCREW.		*		4
9	13440904	SPACER_1		*		3
10	13441001	SPACER_2		*		1
11	SM6040460TP	SCREW		*		3
12	13440201	KNIFE HOLDER_GUIDE		*		1
13	13441902	LEAF_SPRING-2		*		1
14	13441605	THREADED_PLATE		*		1
15	13441803	LEAF_SPRING-1		*		1
16	SM1020450TP	SCREW M2 L=4		*		2
17	13441506	TENSION_LEVER		*		1
18	SM6020600TP	SCREW		*		1
19	13442207	LEAF_SPRING-3		*		1
20	13441407	LOWER_KNIFE_GUIDE		*		1
21	13441704	UPPER_KNIFE		*		1
22	SM6020600TP	SCREW		*		2
23	SM6021000TP	SCREW		*		1
24	13440300	LEVER		*		1
25	40025990	LINK_DRIVING		*		1
26	40025989	BOLT_CARRIER		*		1
27	RE0250000K0	E-RING 2.5		*		1
28	40070110	SCREW		*		1
29	NM6040001SP	NUT M4X0.7		*		1
30	WP0431005SP	PLAIN WASHER 4.3X12X1		*		1
31	13440607	GUIDE_BASE				1
32	13440706	GUIDE				1
33	SM6030350SN	SCREW M3 L=2.5				1
34	SM4040655SN	SCREW M4X0.7 L=6				2
35	SM1040860SP	SCREW				8
36	13440508	STOP_PLATE				1
37	SM6040870SP	SCREW				1

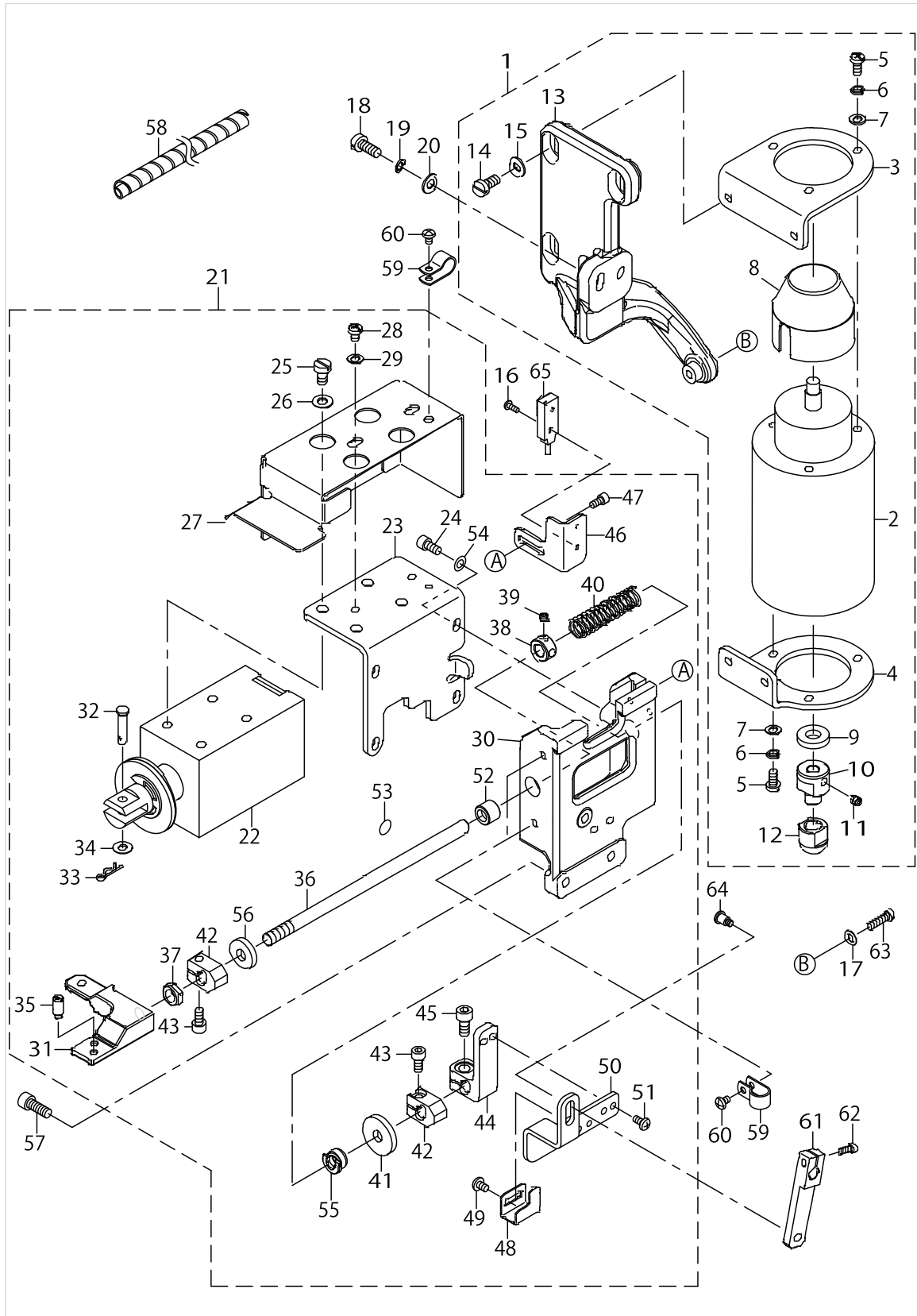
ELECTROMAGNETIC THREAD TRIMMER DRIVE & PRESSER FEED LIFTER COMPONENTS



ELECTROMAGNETIC THREAD TRIMMER DRIVE & PRESSER FEED LIFTER COMPONENTS

No.	Parts No.	Parts name	Remarks	Level	Cons	Qty
1	40030477	SOLENOID_ASSY_B				1
2	40030478	SOLENOID_ASSY_A		*		1
3	40032444	SOLENOID_BRACKET_UPPER		*		1
4	40032445	SOLENOID_BRACKET_LOWER		*		1
5	SM4051055SP	SCREW		*		6
6	WS0510002KP	SPRING WASHER 5.1X9.2X1.3		*		6
7	WP0550800SP	WASHER 5.5X10X0.8		*		6
8	GAK3303600A	SOLENOID COVER		*		1
9	40032703	P_F_RUBBER_WASHER		*		1
10	40032447	CAP_JOINT		*		1
11	SM8050602TP	SCREW M5 L=6		*		1
12	13455100	AIR_CYLINDER_CAP		*		1
13	40032446	SOLENOID_BRACKET		*		1
14	SM6061200SP	SCREW		*		4
15	WP0621016SD	WASHER 6.2X13X1		*		4
16	SM4030855SN	SCREW M3 L=8.0				1
17	WP0450826SC	WASHER 4.5X10X0.8				1
18	SM6061400SP	SCREW M6 L=14				1
19	WS0610002KP	SPRING WASHER				1
20	WP0621016SD	WASHER 6.2X13X1				1
21	40030482	UT ELECTRIC DRIVE ASSY				1
22	40040271	UT_SOLENOID_ASSY		*		1
23	40026935	SOLENOID_BRACKET		*		1
24	SM6051002TP	SCREW M5X0.8 L=10		*		4
25	SM6061010TP	SCREW M6 L=10		*		4
26	WP0621016SD	WASHER 6.2X13X1		*		4
27	40039670	SOLENOID_COVER		*		1
28	SM4050655SP	SCREW M5 L=6		*		2
29	WP0550800SP	WASHER 5.5X10X0.8		*		2
30	40040662	UT_SOLENOID_BASE		*		1
31	40026848	CONN_BLOCK		*		1
32	40039669	MAGNET_PIN		*		1
33	B1515210D00	PIN		*		1
34	WP0560860SE	WASHER 5.6X12X0.8		*		1
35	13442702	PIN		*		1
36	40024097	UT_SHAFT		*		1
37	NM6080003SC	NUT M8		*		1
38	CS0800881TP	THRUST COLLAR		*		1
39	SM8050412TP	SCREW M5 L=4		*		2
40	40042567	SPRING		*		1
41	13443601	WASHER		*		1
42	13442900	COLLAR		*		2
43	SM6051002TP	SCREW M5X0.8 L=10		*		2
44	13443007	PLATE HOLDER		*		1
45	SM6061202TP	SCREW M6 L=12		*		1
46	40024101	SENSOR HOLDER		*		1
47	SM6040802TN	SCREW		*		2

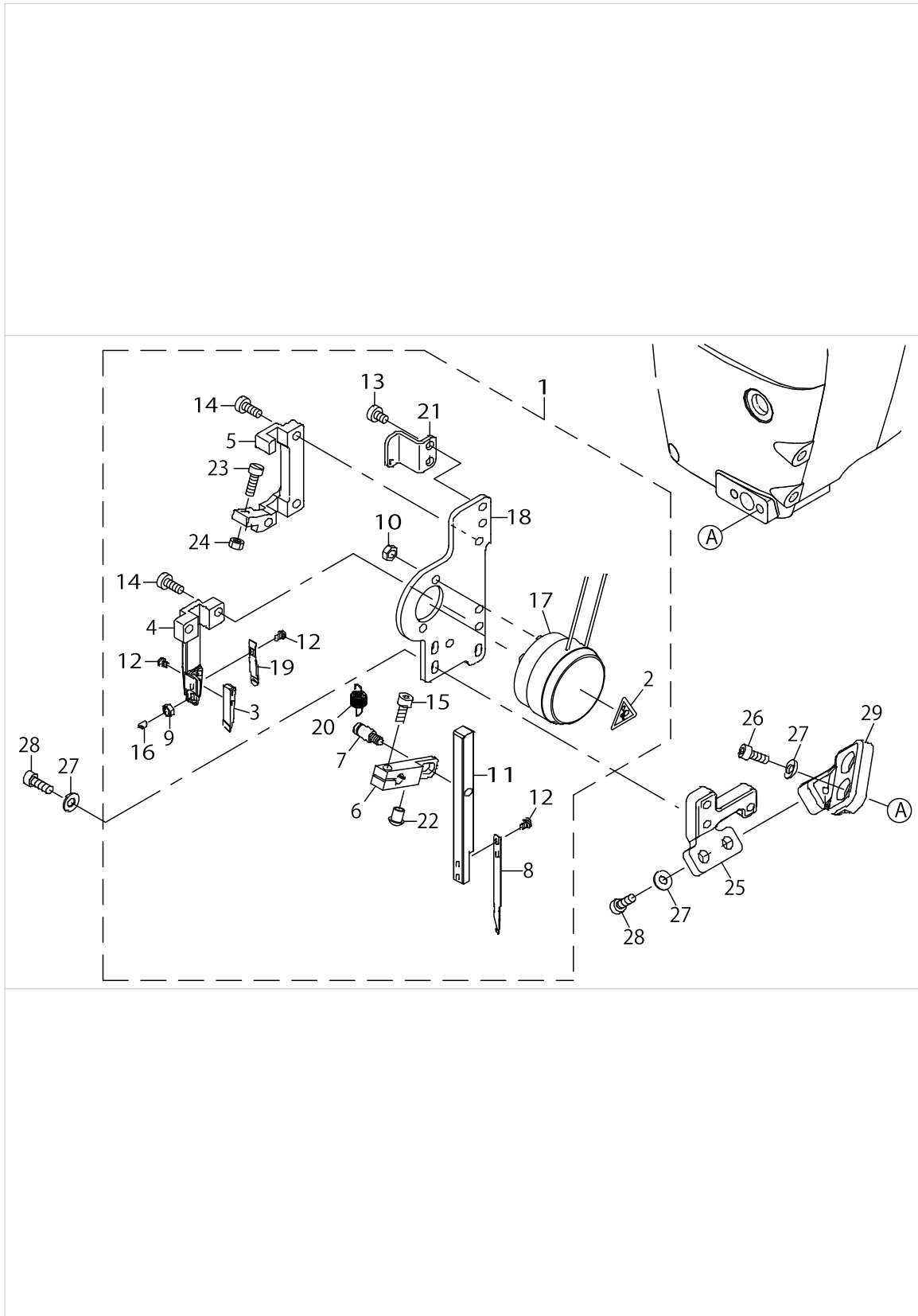
ELECTROMAGNETIC THREAD TRIMMER DRIVE & PRESSER FEED LIFTER COMPONENTS



ELECTROMAGNETIC THREAD TRIMMER DRIVE & PRESSER FEED LIFTER COMPONENTS

No.	Parts No.	Parts name	Remarks	Level	Cons	Qty
48	13443205	SWITCH_PLATE		*		1
49	SM4040655SP	SCREW M4 L=6		*		2
50	13443106	TENS_RELEASE_PLATE_UT		*		1
51	SM4040855SP	SCREW		*		2
52	40040661	BUSHING_UT_SHAFT		*		1
53	22901805	GROUND MARK		*		1
54	WP0550800SP	WASHER 5.5X10X0.8		*		4
55	40038380	BUSHING_UT_SHAFT_RIGHT		*		1
56	40038259	WASHER		*		1
57	SM6061602TP	SCREW M6 L=16				3
58	HX00314000A	SPIRAL TUBE				0.6
59	HX00150000D	CABLE CLIP				3
60	SM4040655SP	SCREW M4 L=6				3
61	13443304	TENSION_RELEASE_LEVER				1
62	SM6041202TP	SCREW M4X0.7 L=12				1
63	SM4041655SP	SCREW M4 L=16				1
64	SD0700706TP	SHOULDER SCREW				1
65	40021746	UNDER_TRIMMER_SENSOR_CABLE_ASM				1

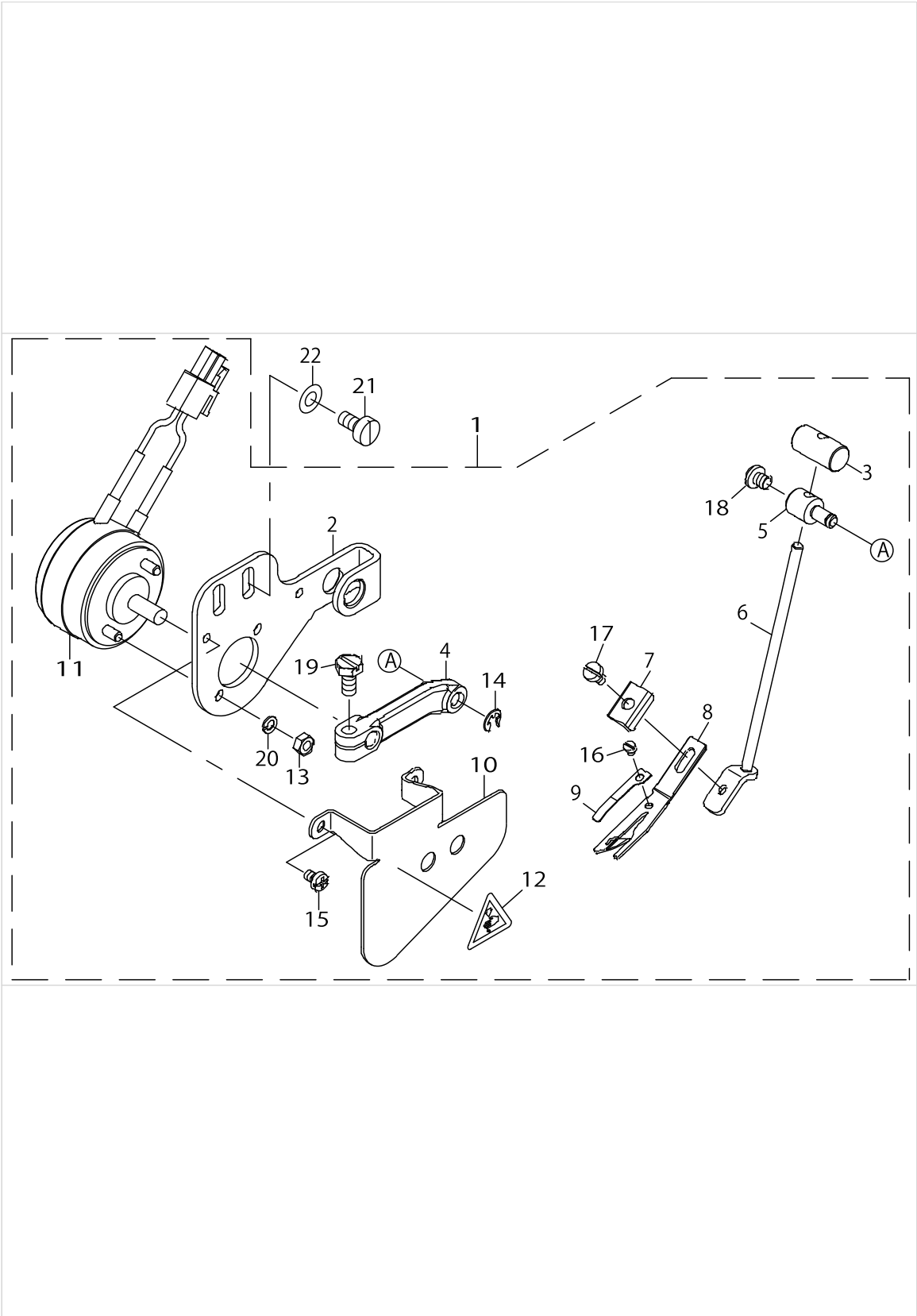
TOP COVER THREAD TRIMMER COMPONENTS



TOP COVER THREAD TRIMMER COMPONENTS

No.	Parts No.	Parts name	Remarks	Level	Cons	Qty
1	40029821	U_L_THD_TRIMMER_ASSY				1
2	CM300200001	ATTENTION SEAL		*		1
3	40029004	FIXED_KNIFE		*		1
4	40029005	FIXED_KNIFE_HOLDER		*		1
5	40024103	HOLDER_GUIDE		*		1
6	40029006	LEVER		*		1
7	40029007	LEVER_PIN		*		1
8	40029008	MOVING_KNIFE		*		1
9	NM6030001SD	NUT M3X0.5		*		1
10	NM6040001SP	NUT M4X0.7		*		2
11	40029010	ROD		*		1
12	SM4850455SP	SCREW		*		5
13	SM6040600SP	SCREW M4 L=6		*		2
14	SM6041000SP	SCREW M4 L=10		*		5
15	SM6041002TP	SCREW M4 L=10		*		1
16	SM8030450SP	SCREW M3 L=4		*		1
17	M85186300A0	THREAD TENSION SOLENOID ASM.		*		1
18	40029011	SOLENOID_BASE		*		1
19	13458401	SPRING		*		1
20	40029012	SPRING		*		1
21	40029013	SPRING_HOOK_BASE		*		1
22	TA0550604R0	RUBBER PLUG		*		1
23	SM6041200SP	SCREW M4 L=12		*		1
24	NM6040001SP	NUT M4X0.7		*		1
25	40029003	BRACKET2				1
26	SM6041002TN	BOLT				2
27	WP0450826SC	WASHER 4.5X10X0.8				5
28	SM6041202TN	SCREW M4X0.7 L=12				5
29	40029002	BRACKET1				1

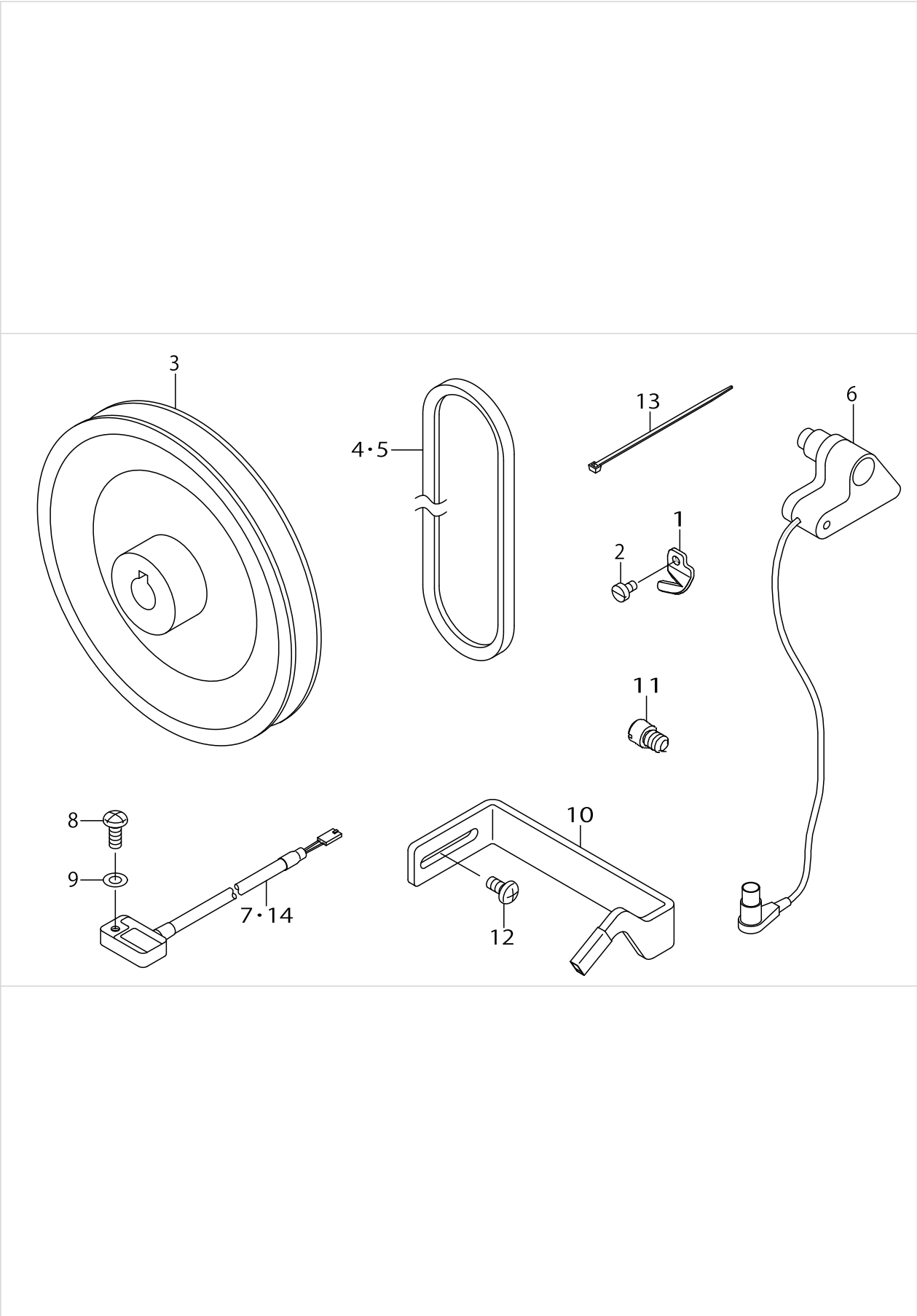
NEEDLE THREAD WIPER COMPONENTS



NEEDLE THREAD WIPER COMPONENTS

No.	Parts No.	Parts name	Remarks	Level	Cons	Qty
1	40031642	NEEDLE_THREAD_WIPER_ASSY				1
2	40031388	SOLENOID_BRACKET		*		1
3	40031390	WIPER_BAR_GUIDE		*		1
4	40031391	SOLENOID_LEVER		*		1
5	40031392	SOLENOID_LEVER_PIN		*		1
6	40031394	WIPER_BAR_ASSY		*		1
7	40031396	WIPER HOLDER		*		1
8	40031397	WIPER		*		1
9	40031399	THD_CLAMP_SPRING		*		1
10	40031402	SAFETY_COVER		*		1
11	40032661	ROTARY_SOLENOID_ASSY		*		1
12	CM300200001	ATTENTION SEAL		*		1
13	NM6030001SN	NUT		*		2
14	RE0300000K0	E-RING 3		*		1
15	SM4030455SP	SCREW		*		2
16	SM6020250TP	SCREW.		*		1
17	SM6030500SN	SCREW M3 L=5		*		1
18	SM6040450TP	SCREW M4 L=4		*		1
19	SM9040800SP	SCREW		*		1
20	WS0310002KN	SPRING WASHER M3		*		2
21	SM6040800SP	SCREW				2
22	WP0450826SC	WASHER 4.5X10X0.8				2

ACCESSORIE PART COMPONENTS



ACCESSORIE PART COMPONENTS

No.	Parts No.	Parts name	Remarks	Level	Cons	Qty
1	13316302	THREAD_TRIMMER				1
2	SM6030500SN	SCREW M3 L=5				1
3	MTSP0115000A	MOTOR PULLEY	FOR SC-510			1
4	MTJVM004000	V-BELT, 40 INCH	FOR SC-510			1
5	MTJVM003900	V-BELT, 39 INCH	FOR SC-500			1
6	40026921	SYNCHRONIZER				1
7	40021727	RESISTOR PACK BL ASM.	FOR MF-7800(SC-500)			1
8	SM4041055SP	SCREW	FOR SC-500			1
9	WP0430800SD	WASHER M4	FOR SC-500			1
10	40082313	STOPPER ASM				1
11	40038326	SOLENOID_BRACKET_PIN				1
12	SM4040855SP	SCREW				2
13	EA9500B0100	CABLE BAND				1
14	40083598	RESISTOR PACK AA ASM.	FOR MF-7800D(SC-500)			1

HOW TO MAKE USE OF THIS PARTS LIST

- 1.As to "#01" and "#02" refer to the "Note" given at the bottom of the respective pages.
- 2.Codes on the "Qty" column
 - Each numeral indicates the number of parts required.
 - "0.1" and "2.5" indicate the length (in meters) of the respective parts.
- 3.Parentheses mean that the corresponding part is a subpart that constructs an assembly part.
- 4.Dotted lines on the Figures indicate assembly parts.

ALL PARTS NOT MENTIONED IN THIS PARTS LIST ARE SAME AS THOSE OF
MODEL MF-7800. OTHER PARTS LIST RELATED TO THIS MODEL.
*MF-7800 SERIES (NO.1379 PART NO.13450002)

NUMERICAL INDEX OF PARTS

PART NO	PAGE	REF NO.	PART NO	PAGE	REF NO.	PART NO	PAGE	REF NO.
13137609	2	21	13456603	2	28	40038259	8	56
13137906	2	22	13458401	10	19	40038326	14	11
13138201	2	20	22901805	8	53	40038380	8	55
13140504	2	23	40021727	14	7-14	40039669	6	32
13316302	14	1	40021746	8	65	40039670	6	27
13340203	2	11	40024097	6	36	40040271	6	22
13340302	2	12	40024101	6	46	40040661	8	52
13340500	2	25	40024103	10	5	40040662	6	30
13340609	2	17	40025989	4	26	40042567	6	40
13340708	2	18	40025990	4	25	40065784	2	15
13340807	2	19	40026174	4	1	40065785	2	5
13340906	2	24	40026848	6	31	40066136	2	10
13341607	2	16	40026921	14	6	40070110	4	28
13341706	2	13	40026935	6	23	40070201	4	2
13440102	4	4	40029002	10	29	40082313	14	10
13440201	4	12	40029003	10	25	40083598	14	7-14
13440300	4	24	40029004	10	3	B1515210D00	6	33
13440409	4	3	40029005	10	4	B2008372000	2	14
13440508	4	36	40029006	10	6	B3121804000	2	26
13440607	4	31	40029007	10	7	CM300200001	10	2
13440706	4	32	40029008	10	8	CM300200001	12	12
13440805	4	7	40029010	10	11	CS0800881TP	6	38
13440904	4	9	40029011	10	18	EA9500B0100	14	13
13441001	4	10	40029012	10	20	GAK3303600A	6	8
13441308	4	5	40029013	10	21	HX00150000D	8	59
13441407	4	20	40029821	10	1	HX00314000A	8	58
13441506	4	17	40030477	6	1	M85186300A0	10	17
13441605	4	14	40030478	6	2	MTJVM003900	14	4-5
13441704	4	21	40030482	6	21	MTJVM004000	14	4-5
13441803	4	15	40031388	12	2	MTSP0115000A	14	3
13441902	4	13	40031390	12	3	NM6030001SD	10	9
13442207	4	19	40031391	12	4	NM6030001SN	12	13
13442702	6	35	40031392	12	5	NM6040001SP	4	29
13442900	6	42	40031394	12	6	NM6040001SP	10	24
13443007	6	44	40031396	12	7	NM6080003SC	6	37
13443106	8	50	40031397	12	8	RE0250000K0	4	27
13443205	8	48	40031399	12	9	RE0300000K0	2	4
13443304	8	61	40031402	12	10	RE0300000K0	12	14
13443601	6	41	40031642	12	1	SD0700706TP	8	64
13455100	6	12	40032444	6	3	SM1020450TP	4	16
13456009	2	31	40032445	6	4	SM1040860SP	4	35
13456108	2	8	40032446	6	13	SM4030455SP	12	15
13456207	2	29	40032447	6	10	SM4030855SN	6	16
13456405	2	2	40032661	12	11	SM4040655SN	4	34
13456553	2	1	40032703	6	9	SM4040655SP	2	6

NUMERICAL INDEX OF PARTS

PART NO	PAGE	REF NO.	PART NO	PAGE	REF NO.
SM4040655SP	8	60	WP0450826SC	10	27
SM4040855SP	8	51	WP0450826SC	12	22
SM4040855SP	14	12	WP0550800SP	6	54
SM4041055SP	2	9	WP0550800SP	8	54
SM4041055SP	14	8	WP0560860SE	6	34
SM4041655SP	2	7	WP0621016SD	6	26
SM4041655SP	8	63	WS0310002KN	12	20
SM4050655SP	6	28	WS0510002KP	6	6
SM4051055SP	6	5	WS0610002KP	6	19
SM4850455SP	10	12			
SM6020250TP	4	8			
SM6020250TP	12	16			
SM6020600TP	4	22			
SM6021000TP	4	23			
SM6030350SN	4	33			
SM6030500SN	12	17			
SM6030500SN	14	2			
SM6040450TP	12	18			
SM6040460TP	4	11			
SM6040600SP	10	13			
SM6040800SP	12	21			
SM6040802TN	6	47			
SM6040870SP	4	37			
SM6041000SP	10	14			
SM6041002TN	10	26			
SM6041002TP	10	15			
SM6041200SP	10	23			
SM6041202TN	10	28			
SM6041202TP	8	62			
SM6051002TP	6	43			
SM6061010TP	6	25			
SM6061200SP	6	14			
SM6061202TP	6	45			
SM6061400SP	6	18			
SM6061602TP	8	57			
SM8030412TP	2	27			
SM8030450SP	10	16			
SM8040360TP	2	30			
SM8050412TP	6	39			
SM8050602TP	6	11			
SM9040800SP	12	19			
TA0550604R0	10	22			
WP0430800SD	14	9			
WP0431005SP	4	30			
WP0450826SC	6	17			