

MODEL : MO-6700D

List No : 1435-02

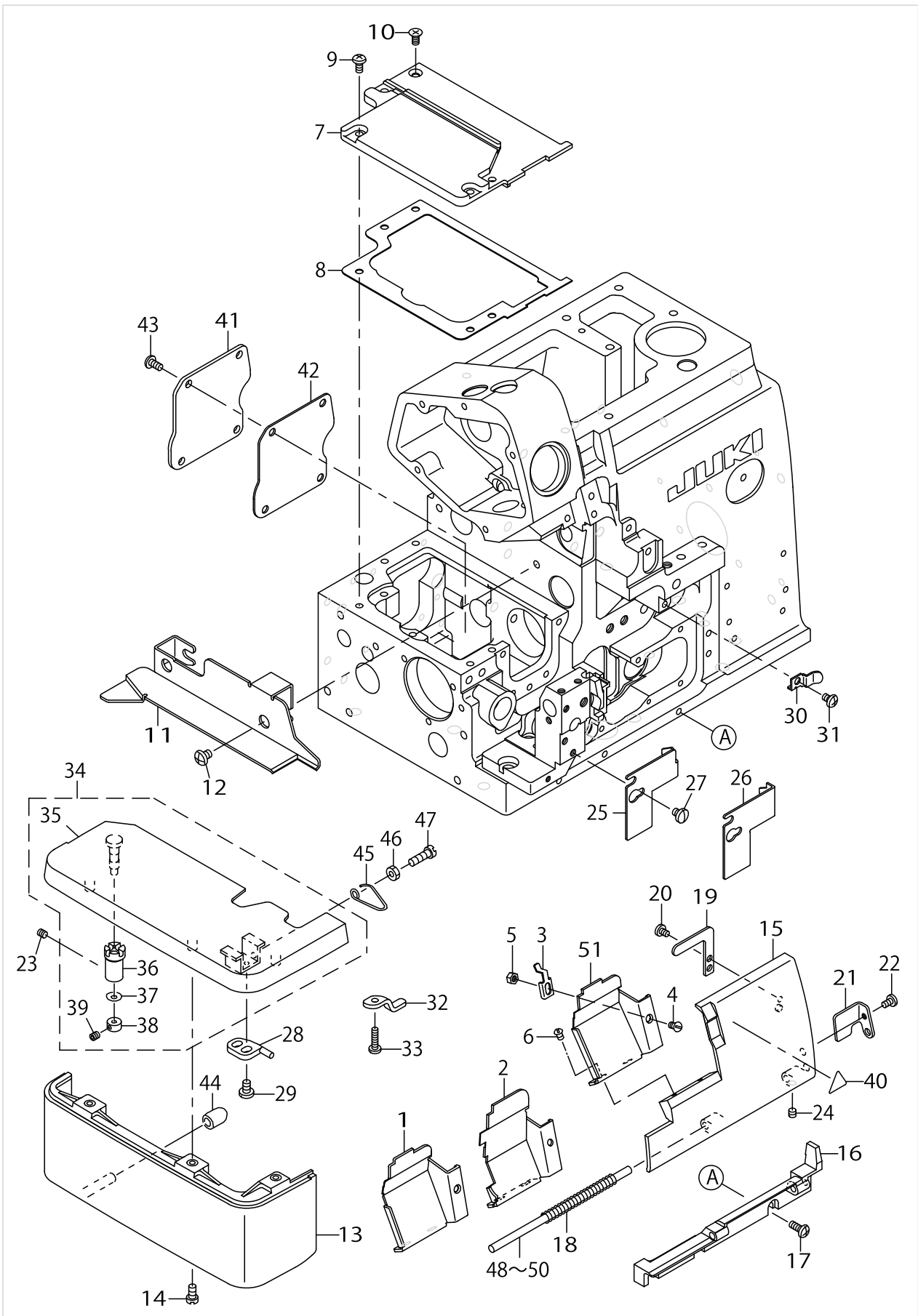
PARTS LIST

Published:09/10/2017

CONTENTS

MISCELLANEOUS COVER COMPONENTS (1).....	1
MISCELLANEOUS COVER COMPONENTS (2).....	5
CRANKSHAFT COMPONENTS	7
NEEDLE DRIVING SHAFT COMPONENTS.....	11
FEED MECHANISM COMPONENTS (1).....	15
FEED MECHANISM COMPONENTS (2).....	17
UPPER & LOWER LOOPER COMPONENTS.....	21
CHAIN LOOPER COMPONENTS (FOR MO-6716D).....	25
PRESSER FOOT COMPONENTS (1).....	27
PRESSER FOOT COMPONENTS (2).....	31
THREAD TENSION COMPONENTS	33
LOWER KNIFE COMPONENTS.....	37
UPPER KNIFE COMPONENTS	39
NEEDLE COOLING MECHANISM COMPONENTS (FOR SH).....	41
LUBRICATION MECHANISM COMPONENTS.....	43
SEMI-SUNKEN TYPE TABLE COMPONENTS.....	47
FULLY-SUNKEN TYPE TABLE COMPONENTS.....	49
STAND COMPONENTS (Z·T).....	51
THREAD STAND COMPONENTS (FOR MO-6704D,MO-6714D).....	53
THREAD STAND COMPONENTS (MO-6704D,MO-6714D SPECIAL ORDER PARTS).....	55
THREAD STAND COMPONENTS (FOR MO-6716D).....	57
THREAD STAND COMPONENTS (MO-6716D SPECIAL ORDER PARTS).....	59
SPECIAL ORDER PARTS COMPONENTS.....	61
ACCESSORIES PARTS COMPONENTS	65
LIST FOR INFORMATION OF CHANGE (1).....	67
LIST FOR INFORMATION OF CHANGE (2).....	68
HOW TO MAKE USE OF THIS PARTS LIST	69

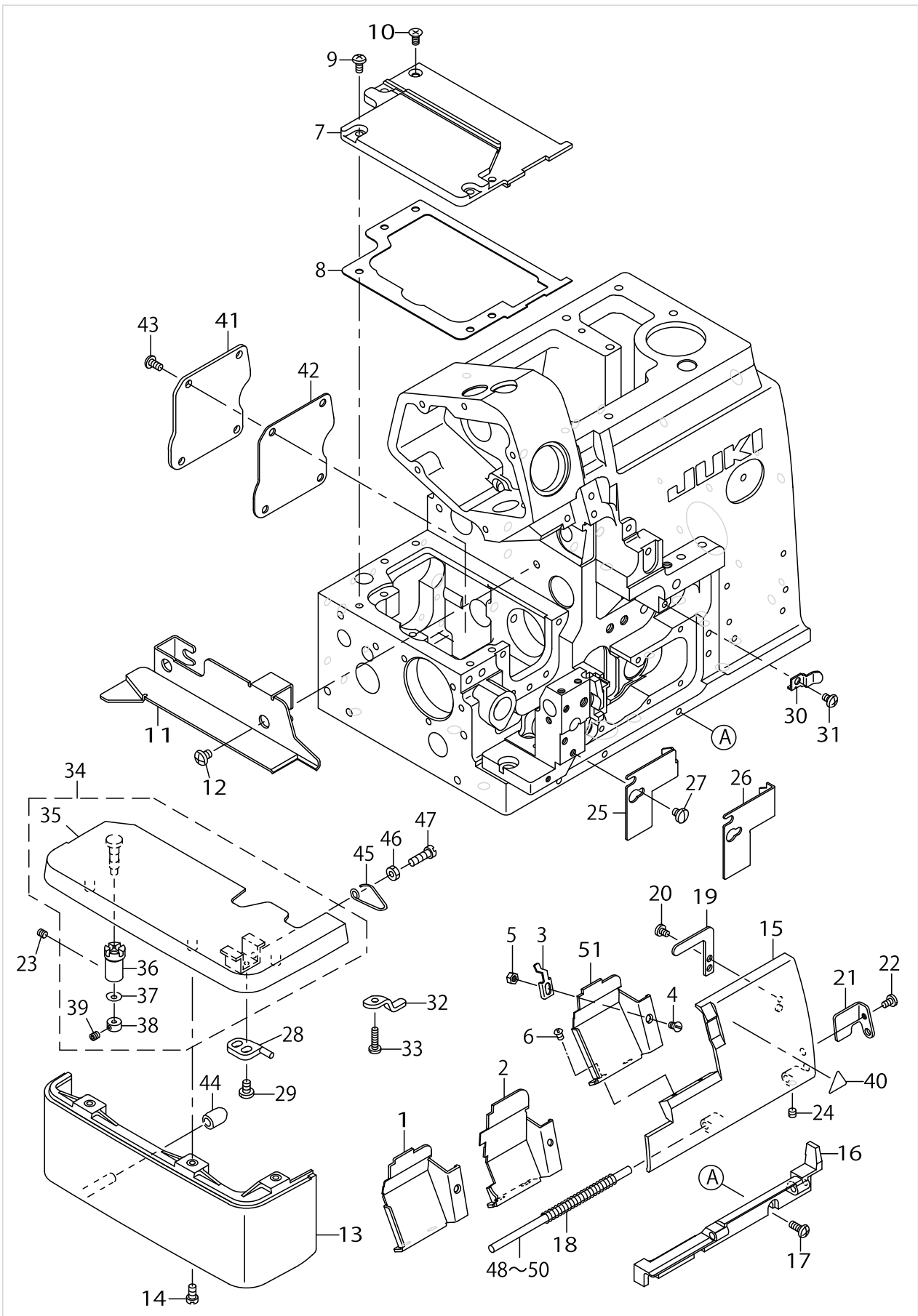
MISCELLANEOUS COVER COMPONENTS (1)



MISCELLANEOUS COVER COMPONENTS (1)

No.	Parts No.	Parts name	Remarks	Level	Cons	Qty
1	13104104	CLOTH WASTE COVER	FOR MO-6704D,MO-6714D (FOR SH)			1
2	13104203	CLOTH WASTE COVER	FOR MO-6716D			1
3	13102405	CROTH WASTE COVER STOPPER				1
4	SS2090520SL	SCREW 9/64-40 L=5				1
5	NS6090310SN	NUT 9/64-40				1
6	SS3090610SP	SCREW 9/64-40 L=6				2
7	13200704	FEED MECHANISM COVER				1
8	13200803	FEED MECHANISM COVER GASKET				1
9	SM4040855SP	SCREW				4
10	SM1040801SC	SCREW M4X0.7 L=8				1
11	12342101	CLOTH BASE SIDE COVER				1
12	SS4120615SP	SCREW 3/16-28 L=6				2
13	13103809	CLOTH BASE COVER				1
14	SS4091015SP	SCREW 9/64-40 L=10				2
15	13100904	LOOPER COVER				1
16	13100805	LOOPER COVER BRACKET				1
17	SM4041055SP	SCREW M4 L=10				3
18	13101209	LOOPER COVER SPRING				1
19	13101407	LOOPER COVER PRESSER PLATE				1
20	SS7090530SP	SCREW 9/64-40 L= 4.5				1
21	13101001	LOOPER COVER GUIDE PLATE				1
22	SS7090610SP	SCREW 9/64-40 L=6				1
23	SS8110410TP	SCREW 11/64-40 L= 3.5				1
24	SS8110410TP	SCREW 11/64-40 L= 3.5				1
25	13101506	CLOTH WASTE COVER , LEFT	FOR MO-6704D,MO-6714D			1
26	13101605	CLOTH WASTE COVER , LEFT	FOR MO-6716D			1
27	SS7110510SP	SCREW 11/64-40 L=5				2
28	13101704	CLOTH BASE SWITCH-TYPE STOPPER				1
29	SS7110710SP	SCREW 11/64-40 L=7				2
30	13101308	LOOPER COVER PRESSER SPRING				1
31	SM4040655SP	SCREW M4 L=6				1
32	13101803	CROTH BASE SUPPORT PLATE				1
33	SS7091410SP	SCREW 9/64-40 L=13.5				1
34	13103650	CLOTH BASE CMPL.				1
35	13102058	CLOTH BASE ASM.		*		1
36	13101902	CLOTH BASE ECCENTRIC BUSHING		*		1
37	WZ0420350KP	DISC SPRING		*		1
38	13172903	CLOTH BASE HINGE SHAFT COLLAR		*		1
39	SM8040302TP	SETSCREW		*		1
40	CM300200001	ATTENTION SEAL				1
41	13201504	ADJUSTING HOLE COVER				1
42	13201603	ADJUSTING HOLE COVER GASKET				1
43	SM4040855SP	SCREW				4
44	13104302	CLOTH BASE COVER RUBBER PLUG				1
45	13102207	CLOTH BASE SWITCH-TYPE SPRING				1
46	NS6110420SP	NUT 11/64-40				1
47	SS6111440SP	SCREW 11/64-40 L=14.0				1

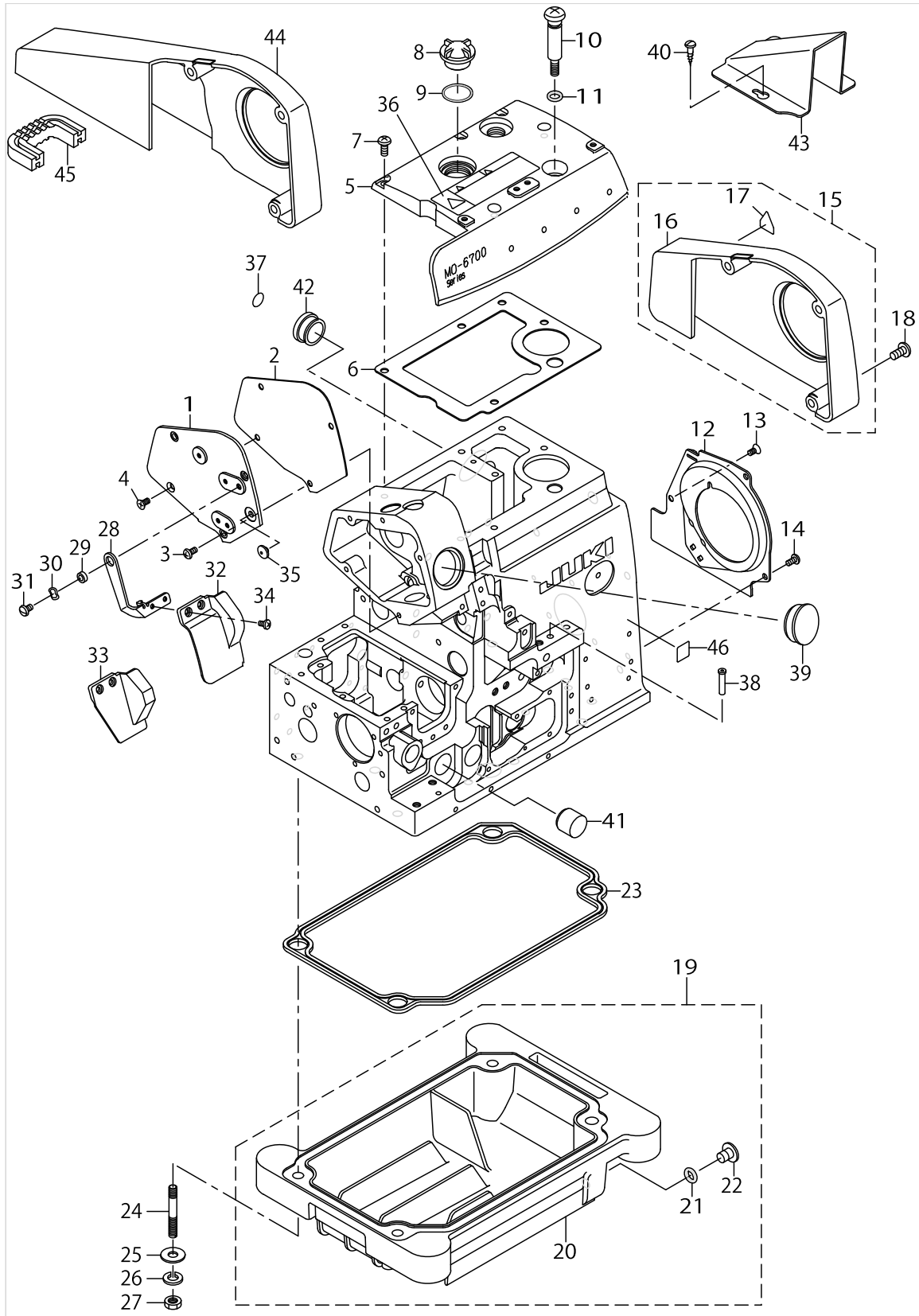
MISCELLANEOUS COVER COMPONENTS (1)



MISCELLANEOUS COVER COMPONENTS (1)

No.	Parts No.	Parts name	Remarks	Level	Cons	Qty
48	13240007	LOOPER COVER HINGE SHAFT A	SELECTIVE PARTS			1
49	13240106	LOOPER COVER HINGE SHAFT B	SELECTIVE PARTS			1
50	13240205	LOOPER COVER HINGE SHAFT C	SELECTIVE PARTS			1
51	13104005	CLOTH WASTE COVER	FOR MO-6704D,MO-6714D (EXCEPT SH)			1

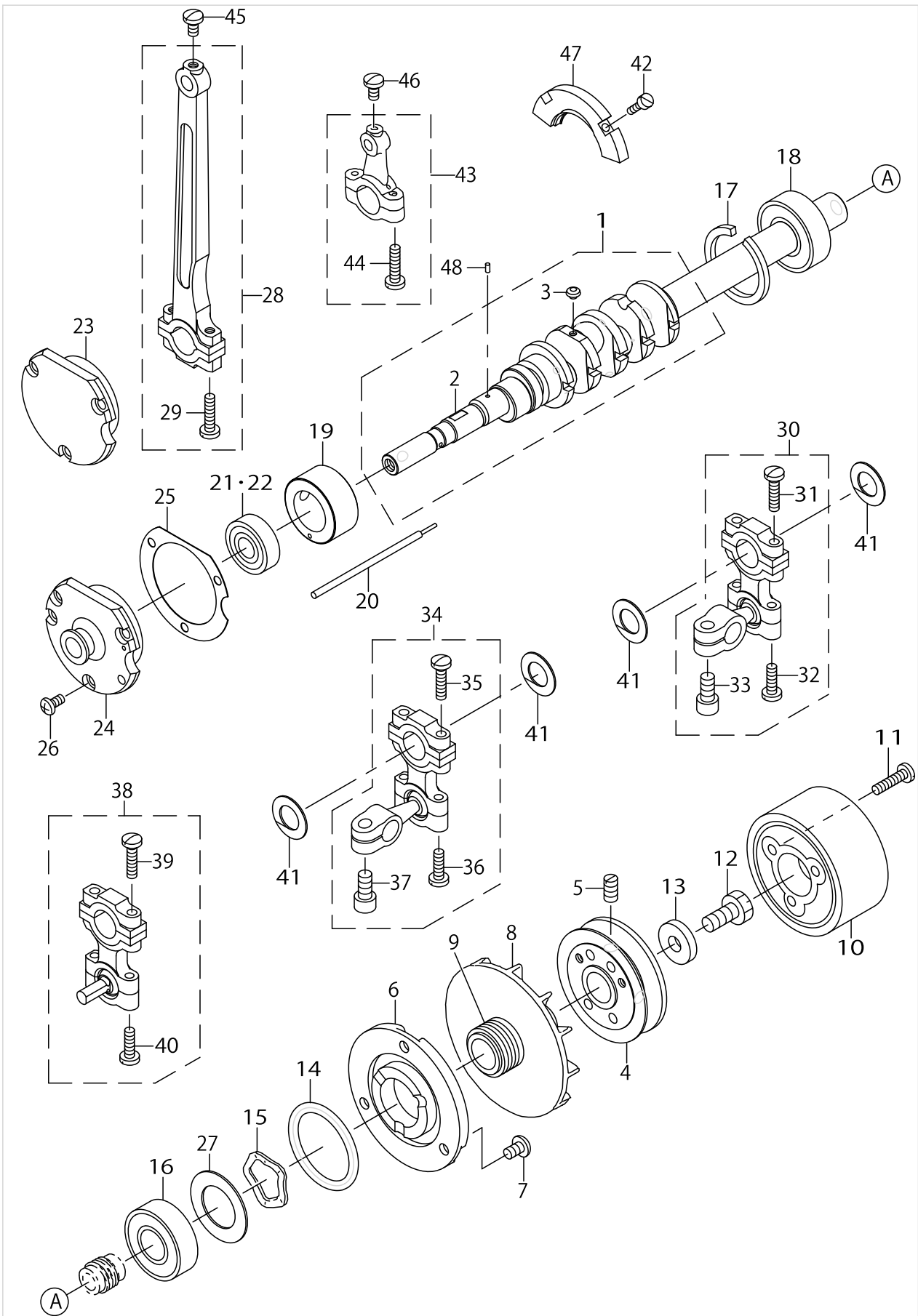
MISCELLANEOUS COVER COMPONENTS (2)



MISCELLANEOUS COVER COMPONENTS (2)

No.	Parts No.	Parts name	Remarks	Level	Cons	Qty
1	13200209	SIDE COVER				1
2	13200308	SIDE COVER GASKET				1
3	SM4040855SP	SCREW				3
4	SM1040801SC	SCREW M4X0.7 L=8				1
5	40037299	UPPER COVER				1
6	13200605	UPPER COVER GASKET				1
7	SM4051255SP	SCREW M5 L=12.				5
8	22924708	OIL SIGHT WINDOW				1
9	13170006	RUBBER RING				1
10	13104500	OIL DRAIN SCREW				1
11	13170204	RUBBER RING				1
12	13201009	COOLING FAN PLATE				1
13	SM1040801SC	SCREW M4X0.7 L=8				1
14	SM4040855SP	SCREW				2
15	13201454	BELT COVER ASM.	VARIOUS NOS.FOR DESTINATIONS			1
16	13201405	BELT COVER		*		1
17	CM3002000A1	CAUTION LABEL(16)		*		1
18	SS4151215SP	SCREW 15/64-28 L=12				3
19	13102553	OIL RESERVOIR ASM.				1
20	13102504	OIL RESERVOIR		*		1
21	13170105	RUBBER RING		*		1
22	13171004	DRAIN SCREW		*		1
23	13102603	OIL RESERVOIR GASKET				1
24	13103908	SCREW STUD				4
25	WP0751576SD	WASHER 7.5X19X1.5				4
26	WS0822010KP	SPRING WASHER 8.2X15X2				4
27	NS6680410SP	NUT 9/32-28				4
28	13201108	SAFETY PLATE BRACKET				1
29	13104807	SAFETY PLATE BRACKET COLLAR				1
30	WZ0850302K0	WAVED WASHER 8.5X12.5X0.3				1
31	SS5110710SP	SCREW 11/64-40 L=7				1
32	13201306	SAFETY PLATE	FOR MO-6716D			1
33	13201207	SAFETY PLATE	FOR MO-6704D,MO-6714D			1
34	SS7090611SL	SCREW 9/64-40 L=6.1				2
35	13204003	SAFETY PLATE BUSH				1
36	CM3002001B1	SAFETY LABEL 12				1
37	22901805	GROUND MARK				1
38	13102900	THREAD GUIDE, LARGE				2
39	10753309	WINDOW PLATE RUBBER PLUG				1
40	SK3412001SE	WOOD SCREW D=4.1 L=20				2
41	TA1871602R0	RUBBER PLUG	FOR MO-6704D,MO-6714D			1
42	TA2050805R0	RUBBER PLUG				1
43	13160700	BELT COVER (B)				1
44	40037392	BELT COVER C	VARIOUS NOS.FOR DESTINATIONS			1
45	40040065	VIBRATION PROOF RUBBER	VARIOUS NOS.FOR DESTINATIONS			1
46	CM600100101	WEEE MARK LABEL S	FOR JE,TURKEY			1

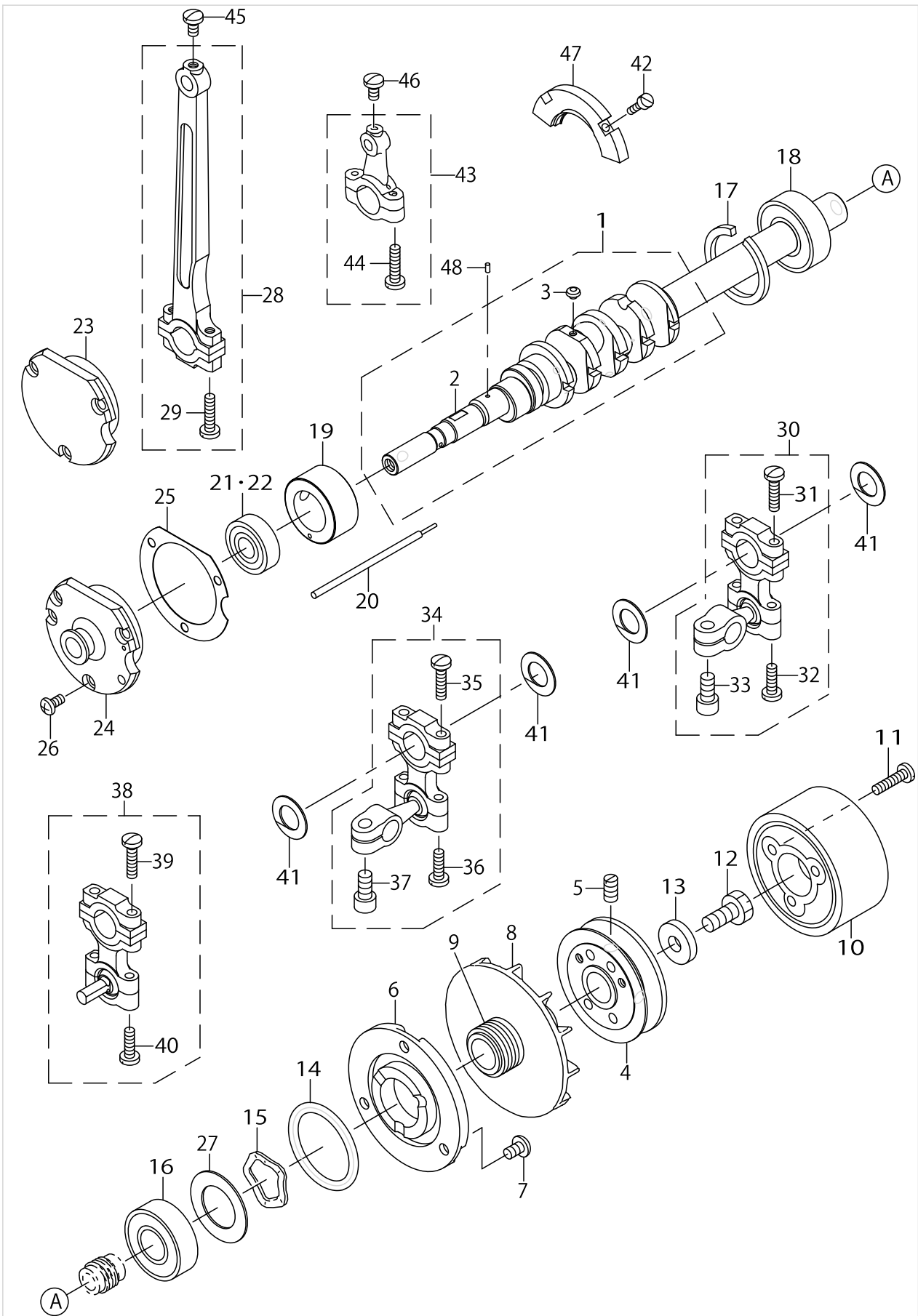
CRANKSHAFT COMPONENTS



CRANKSHAFT COMPONENTS

No.	Parts No.	Parts name	Remarks	Level	Cons	Qty
1	40023235	MAIN SHAFT ASM.				1
2	40023234	MAIN SHAFT (300)		*		1
3	SS5080212TP	SCREW 1/8-44 L=2		*		5
4	13107602	HANDWHEE (A)				1
5	SS8151150TP	SCREW 15/64-28 L=10.5				2
6	13107800	THRUST COLLAR				1
7	SM4050855SP	SCREW M5 L=8				3
8	13108402	COOLING FAN				1
9	13108501	CRANKSHFT OIL SHIELD				1
10	13107701	HANDWHEEL				1
11	SS7111810TP	SCREW 11/64-40 L=18				3
12	SS9681610TP	SCREW 9/32-28 L=16				1
13	WP0764016SP	WASHER				1
14	13170303	RUBBER RING				1
15	WZ2640310KH	WAVED WASHER 26.4X33.9X3.5				1
16	B1211804000	BALL BEARING B				1
17	B1212704000	BEARING RETAINER				1
18	B1211804000	BALL BEARING B				1
19	13205406	CRANKSHAFT BUSHING C				1
20	13104906	OIL ADJUSTING BAR				1
21	B1215804000	BALL BEARING D	FOR MO-6704D,MO-6714D			1
22	SB110000300	BALL BEARING	FOR MO-6716D			1
23	13108006	CRANKSHAFT BUSHING D	FOR MO-6704D,MO-6714D			1
24	13108105	CRANKSHAFT BUSHING D	FOR MO-6716D			1
25	13108204	CRANKSHAFT BUSHING GASKET				1
26	SM4040855SP	SCREW				3
27	13108303	BEARING HOLDING PLATE				1
28	12109153	CONNECTING ROD ASM.				1
29	SS7111810TP	SCREW 11/64-40 L=18		*		2
30	12122362	UPPER LOOPER ROD ASM.				1
31	SS7111810TP	SCREW 11/64-40 L=18		*		2
32	SS7111410TP	SCREW 11/64-40 L=14		*		2
33	SM6061202TP	SCREW M6 L=12		*		1
34	12123360	LOWER LOOPER ROD ASM., A	FOR MO-6704D,MO-6714D			1
35	SS7111810TP	SCREW 11/64-40 L=18		*		2
36	SS7111410TP	SCREW 11/64-40 L=14		*		2
37	SM6061202TP	SCREW M6 L=12		*		1
38	12120150	LOWER LOOPER ROD ASM., B	FOR MO-6716D			1
39	SS7111810TP	SCREW 11/64-40 L=18		*		2
40	SS7111410TP	SCREW 11/64-40 L=14		*		2
41	40017824	LOOPER LOD STOPPER				4
42	SS6081210TP	SCREW 1/8-44 L=12				2
43	12132155	KNIFE DRIVING ROD ASM.				1
44	SS7111810TP	SCREW 11/64-40 L=18		*		2
45	SS7110840SP	SCREW 11/64-40 L=7.8				1
46	SS7110840SP	SCREW 11/64-40 L=7.8				1
47	40017714	BALANCER				1

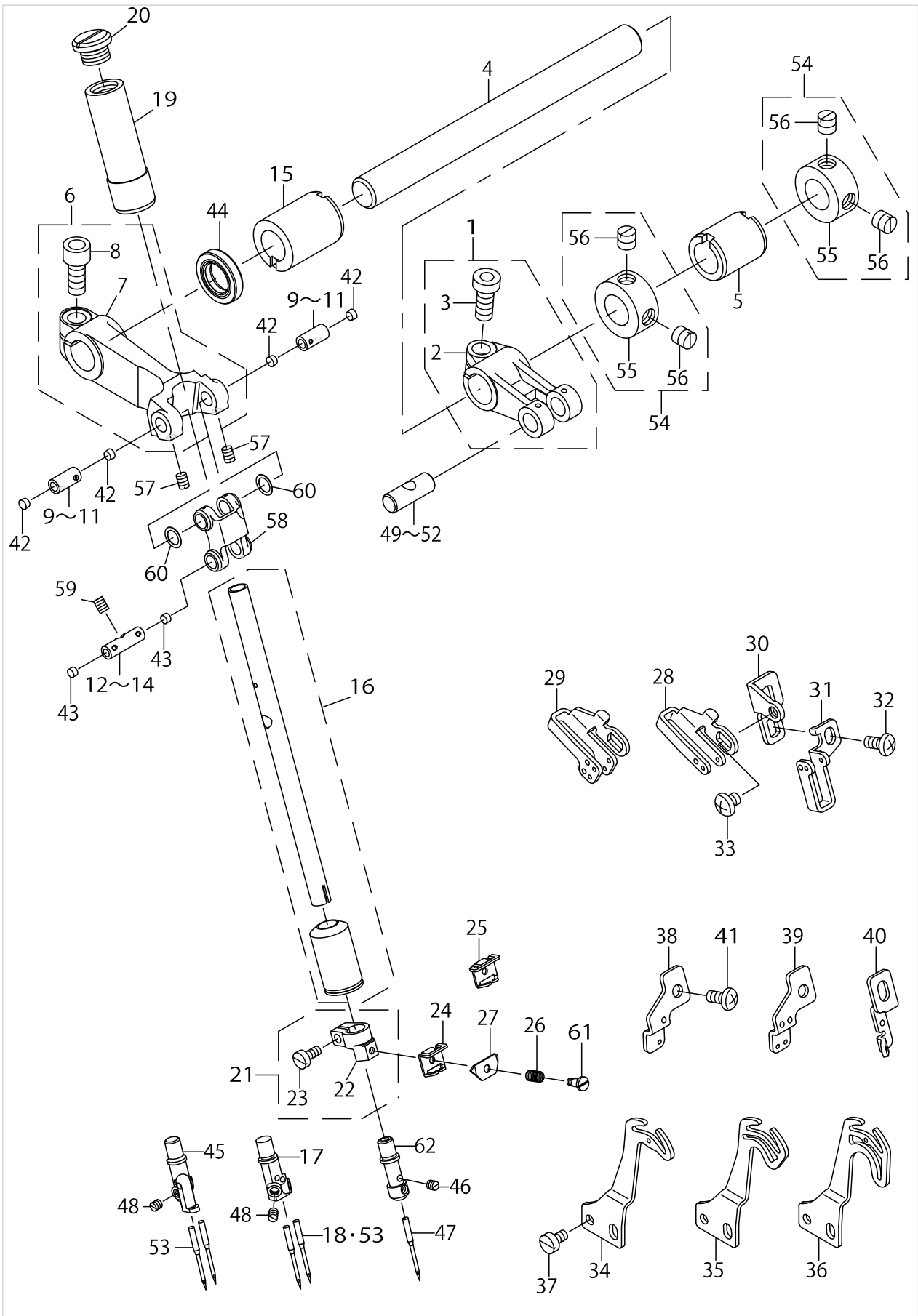
CRANKSHAFT COMPONENTS



CRANKSHAFT COMPONENTS

No.	Parts No.	Parts name	Remarks	Level	Cons	Qty
48	40035711	OIL WICK				1

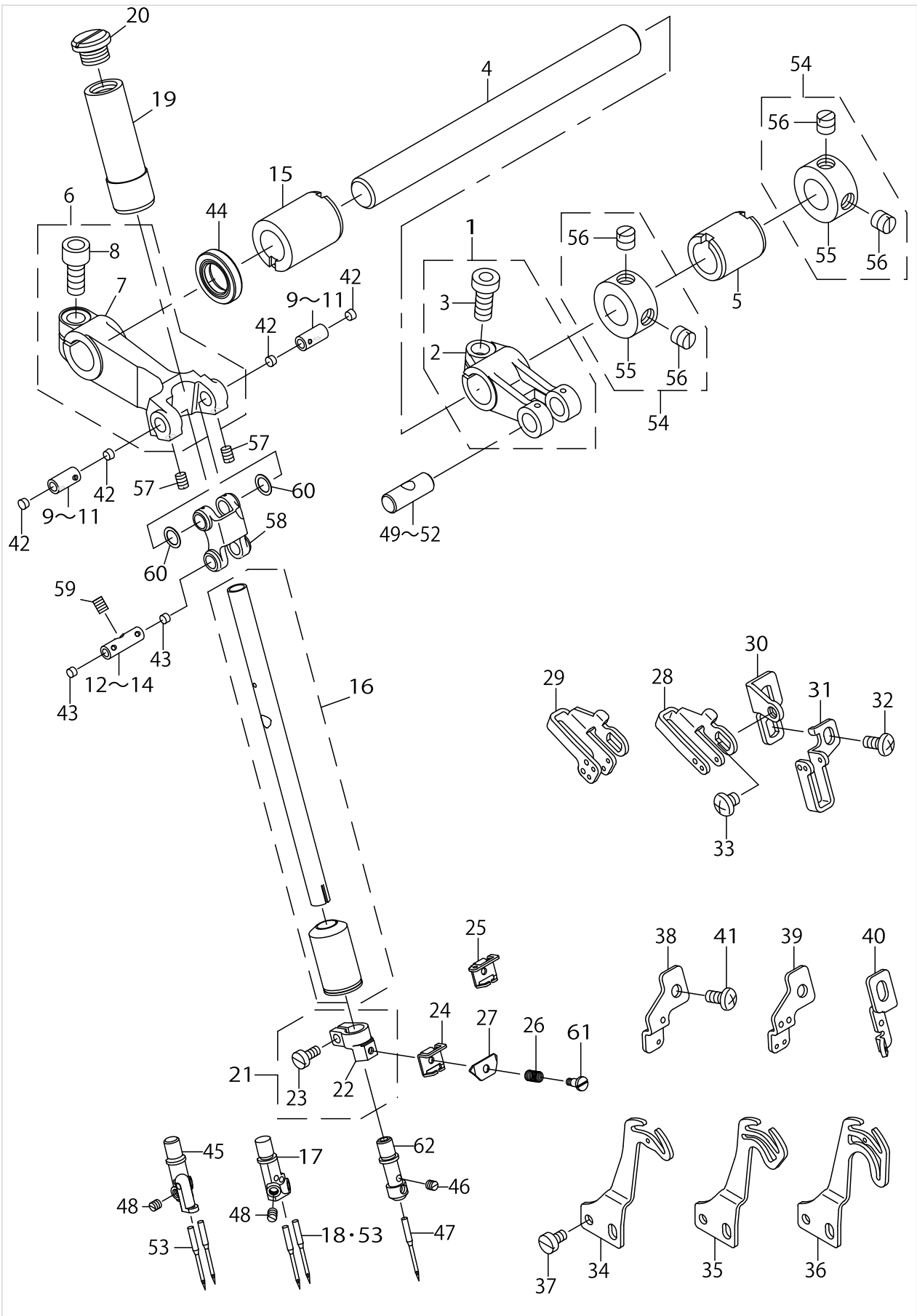
NEEDLE DRIVING SHAFT COMPONENTS



NEEDLE DRIVING SHAFT COMPONENTS

No.	Parts No.	Parts name	Remarks	Level	Cons	Qty
1	13110556	FEED FORKED CRANK ASM.				1
2	13110507	NEEDLE DRIVING BRANCH CRANK		*		1
3	SM6061402TP	SCREW M6 L=14		*		1
4	40004558	NEEDLE DRIVING SHAFT				1
5	13110101	BUSHING ,REAR				1
6	13209853	NEEDLE DRIVING ARM ASM.				1
7	13209804	NEEDLE DRIVING ARM		*		1
8	SM6061402TP	SCREW M6 L=14		*		1
9	40004559	NEEDLE DRIVING ARM PIN A	SELECTIVE PARTS			2
10	40004561	NEEDLE DRIVING ARM PIN B	SELECTIVE PARTS			2
11	40004563	NEEDLE DRIVING ARM PIN C	SELECTIVE PARTS			2
12	40004565	NEEDLE DRIVING PIN A	SELECTIVE PARTS			1
13	40004567	NEEDLE DRIVING PIN B	SELECTIVE PARTS			1
14	40004569	NEEDLE DRIVING PIN C	SELECTIVE PARTS			1
15	40004572	FRONT METAL				1
16	40032558	NEEDLE ROD (B) ASM.				1
17	13175203	NEEDLE CLAMP	FOR MO-6714D			1
18	MDC270B0900	NEEDLE DCX27 #9	FOR MO-6714D-BE6-207			2
19	40032552	NEEDLE ROD BUSHING UPPER				1
20	13207808	NEEDLE ROD BUSHING CAP SCREW				1
21	13110259	NEEDLE CLAMP HOLDER ASM.				1
22	13110200	NEEDLE CLAMP HOLDER		*		1
23	SS6080720SP	SCREW 1/8-44 L=7		*		1
24	13110705	NEEDLE THREAD PRESSER GUIDE A	FOR MO-6704D,MO-6714D			1
25	13110804	NEEDLE THREAD PRESSER GUIDE B	FOR MO-6716D			1
26	13110903	NEEDLE THREAD PRESSER SPRING				1
27	13111000	NEEDLE THREAD PRESSER PLATE A				1
28	13208806	NEEDLE THREAD GUIDE	FOR MO-6704D,MO-6716D			1
29	13208905	THREAD GUIDE, 2-NEEDLE	FOR MO-6714D			1
30	13208707	NEEDLE THREAD GUIDE BASE				1
31	13111109	THREAD GUIDE, CHAIN LOOPER	FOR MO-6716D			1
32	SM4040855SP	SCREW				2
33	SS4110515SP	SCREW 11/64-40 L=5				1
34	13111208	NEEDLE THREAD TAKE-UP LEVER	FOR MO-6704D			1
35	13111307	TAKE-UP LEVER , 2-NEEDLE	FOR MO-6714D			1
36	13111406	TAKE-UP LEVER , CHAIN LOOP	FOR MO-6716D			1
37	SS6090670TP	SCREW 9/64-40 L=6				2
38	13111505	NEEDLE THREAD BALANCE GUIDE	FOR MO-6704D,MO-6716D			1
39	13111604	TAKE-UP LEVER GUIDE , 2-NEEDLE	FOR MO-6714D			1
40	13111703	TAKE-UP LEVER GUIDE,CHAIN LOOP	FOR MO-6716D			1
41	SM4040855SP	SCREW				1
42	40004580	NEEDLE DRIVING ARM PIN PLUG				4
43	11517307	PLUG				2
44	40032545	OIL SEAL				1
45	12257002	CHAIN LOOPER NEEDLE CLAMP, DEA	FOR MO-6716D			1
46	SS8080310TP	SCREW 1/8-44 L=2.8	FOR MO-6704D			1
47	MDC270B1100	NEEDLE DCX27 #11	FOR MO-6704D			1

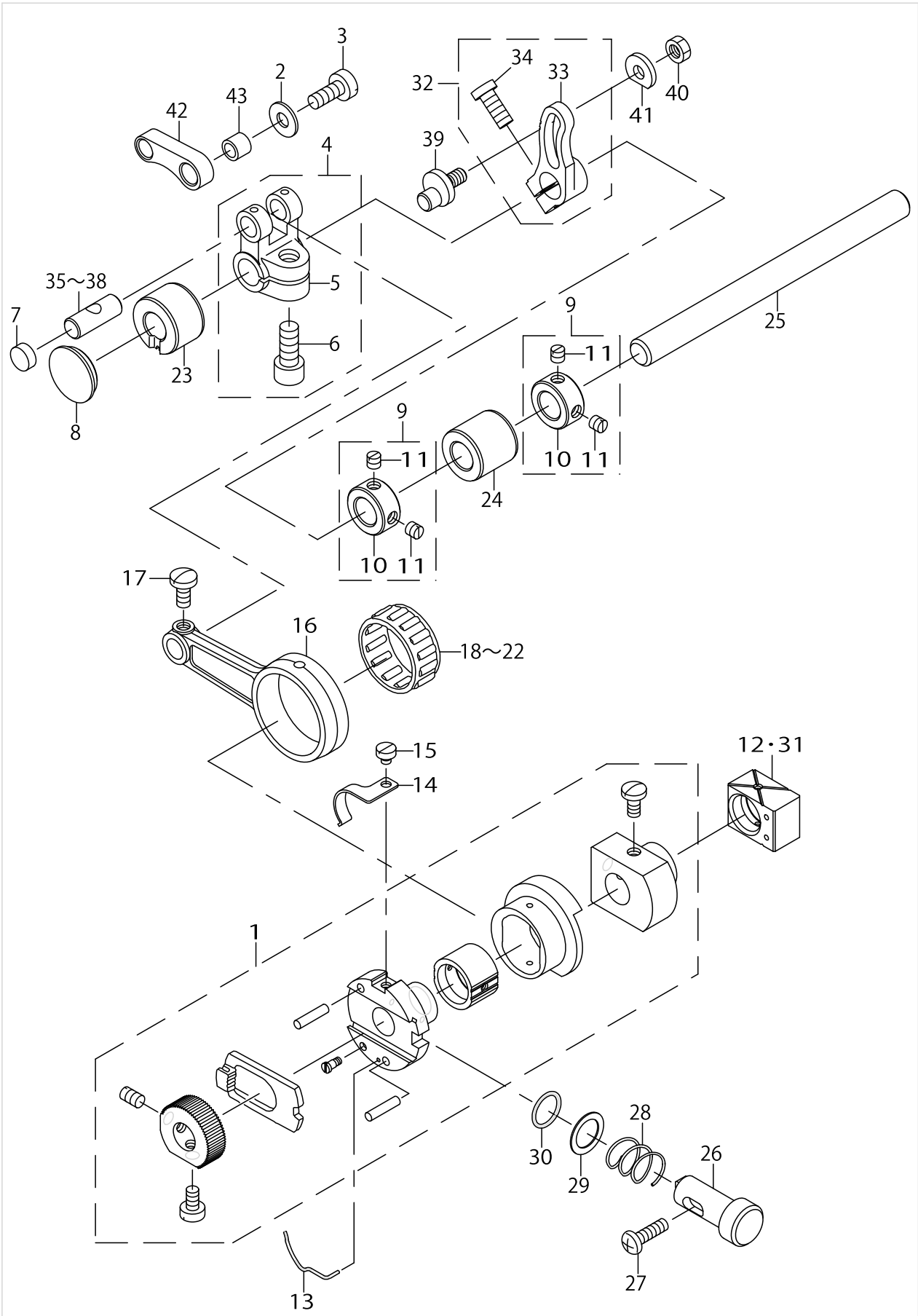
NEEDLE DRIVING SHAFT COMPONENTS



NEEDLE DRIVING SHAFT COMPONENTS

No.	Parts No.	Parts name	Remarks	Level	Cons	Qty
48	SS8080310TP	SCREW 1/8-44 L=2.8	FOR MO-6714D,MO-6716D			2
49	13122007	FEED BRANCH CRANK PIN A	SELECTIVE PARTS			1
50	13122106	FEED BRANCH CRANK PIN B	SELECTIVE PARTS			1
51	13122205	FEED BRANCH CRANK PIN C	SELECTIVE PARTS			1
52	13122304	FEED BRANCH CRANK PIN D	SELECTIVE PARTS			1
53	MDC270B1100	NEEDLE DCX27 #11	FOR MO-6714D,MO-6716D			2
54	13172754	THRUST COLLAR ASM.				2
55	13172705	THRUST COLLAR		*		1
56	SS8660610TP	SCREW 1/4-40 L=6		*		2
57	SS8090530TP	SCREW 9/64-40 L= 5.0				2
58	40004574	NEEDLE DRIVING LINK				1
59	SS8090530TP	SCREW 9/64-40 L= 5.0				1
60	13208103	NEEDLE DRIVING LINK WASHER				2
61	SD0280401SL	HINGE SCREW D=2.8 H=4				1
62	13175005	NEEDLE CLAMP, 1-NEEDLE	FOR MO-6704D			1

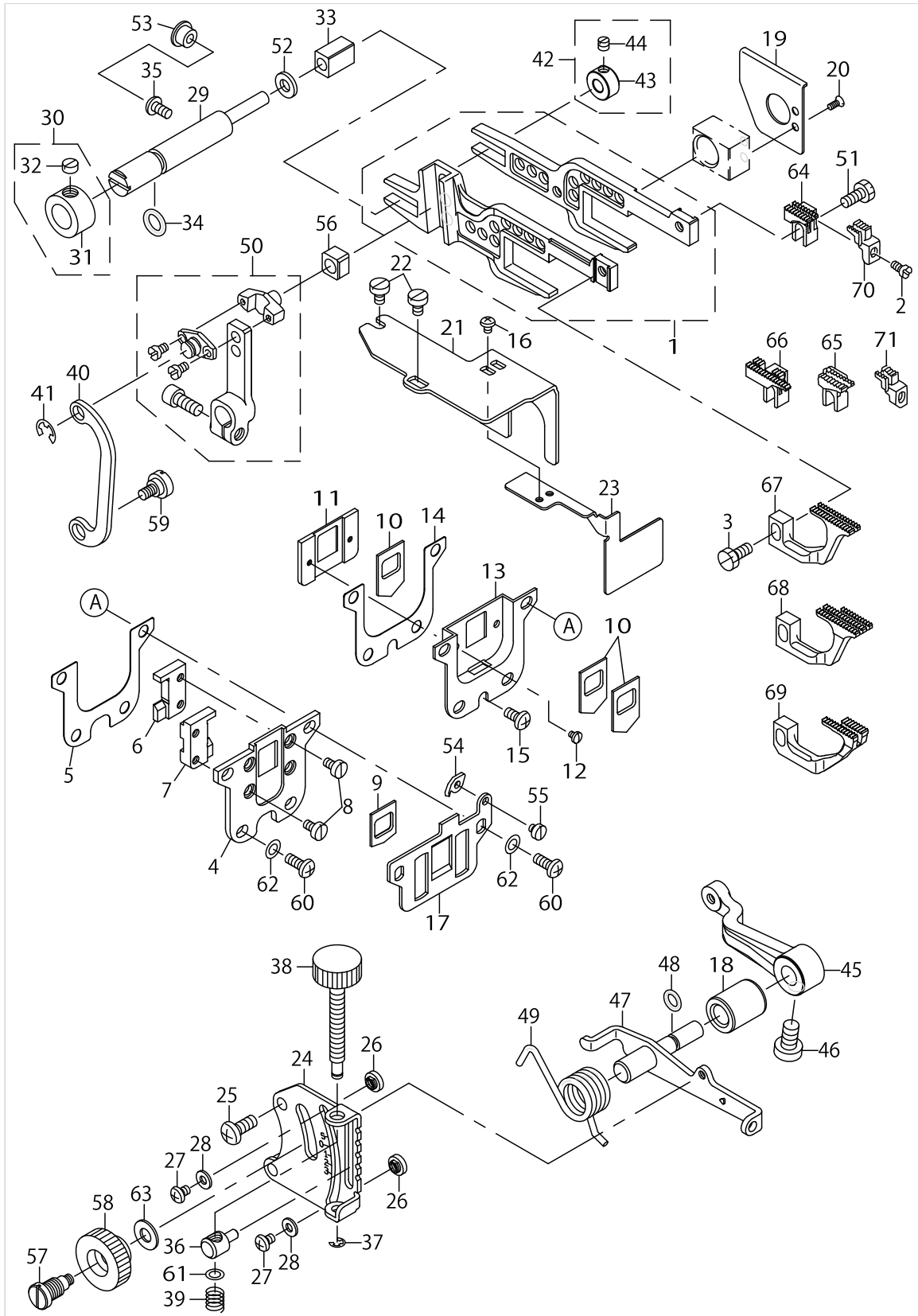
FEED MECHANISM COMPONENTS (1)



FEED MECHANISM COMPONENTS (1)

No.	Parts No.	Parts name	Remarks	Level	Cons	Qty
1	13118054	FEED ECCENTRIC BODY ASM.				1
2	13120605	WASHER				1
3	SS6121220TP	SCREW 3/16-28 L=11.5				1
4	13122452	FEED BRANCH CRANK ASM.				1
5	13122403	FEED BRANCH CRANK		*		1
6	SM6061402TP	SCREW M6 L=14		*		1
7	TA1030402R0	RUBBER PLUG D=10.3 L=4				1
8	TA2050416R0	RUBBER PLUG				1
9	13172556	FEED SHAFT THRUST COLLAR ASM.				2
10	13172507	FEED SHAFT THRUST COLLAR		*		1
11	SS8110410TP	SCREW 11/64-40 L= 3.5		*		2
12	13217807	SLIDE BLOCK A	SELECTIVE PARTS			1
13	13122502	RATCHET PAWL SPRING				1
14	13119300	RATCHET GEAR SPRING				1
15	SS6080320SP	SCREW 1/8-44 L= 2.5				1
16	13118708	FEED CRANK ROD				1
17	SS7110910TP	SCREW 11/64-40 L= 8.5				1
18	12116604	NEEDLE BEARING	SELECTIVE PARTS			1
19	12116703	NEEDLE BEARING B	SELECTIVE PARTS			1
20	12116802	NEEDLE BEARING.,C.	SELECTIVE PARTS			1
21	12116901	NEEDLE BEARING.,D.	SELECTIVE PARTS			1
22	12117008	NEEDLE BEARING.,E.	SELECTIVE PARTS			1
23	13119409	FEED SHAFT METAL , FRONT				1
24	13119508	FEED SHAFT METAL , REAR				1
25	13119607	FEED SHAFT				1
26	13216809	PUSH BUTTON SHAFT				1
27	SM4041455SN	SCREW M4 L=14				1
28	13216601	PUSH BUTTON SPRING				1
29	13216700	PUSH BUTTON SHAFT WASHER				1
30	13244108	RUBBER RING				1
31	13217906	SLIDE BLOCK B	SELECTIVE PARTS			1
32	13119953	MAIN FEED ARM ASM.				1
33	13119904	MAIN FEED ARM		*		1
34	SM6051202TP	SCREW M5X0.8 L=12		*		1
35	13122007	CRANK PIN A	SELECTIVE PARTS			1
36	13122106	CRANK PIN B	SELECTIVE PARTS			1
37	13122205	CRANK PIN C	SELECTIVE PARTS			1
38	13122304	CRANK PIN D	SELECTIVE PARTS			1
39	13119706	MAIN FEED ARM PIN				1
40	NS6620320SP	NUT 3/16-32				1
41	13120001	WASHER B				1
42	13119805	MAIN FEED LINK				1
43	B1620804000	PIN COLLAR				1

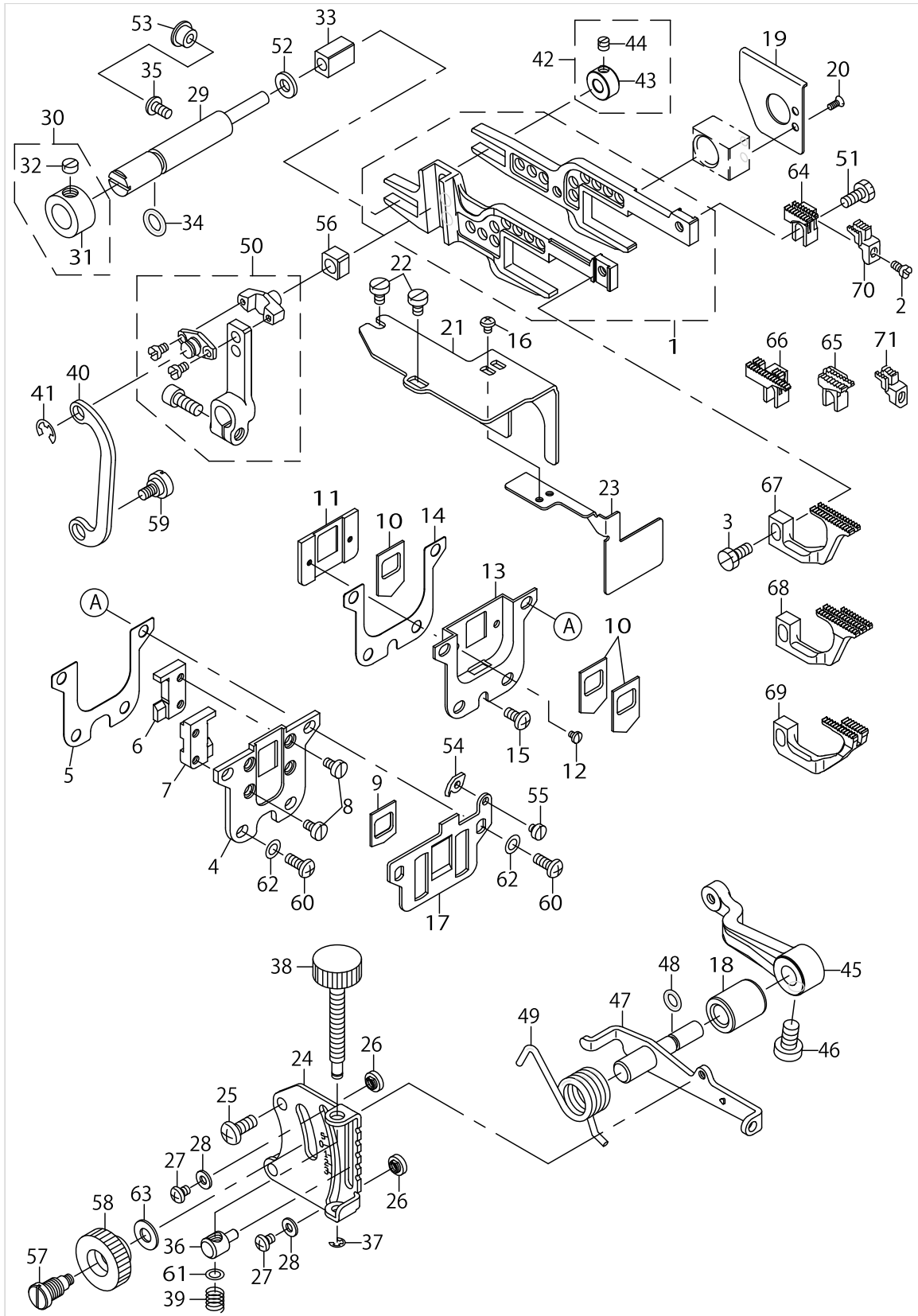
FEED MECHANISM COMPONENTS (2)



FEED MECHANISM COMPONENTS (2)

No.	Parts No.	Parts name	Remarks	Level	Cons	Qty
1	13215157	FEED ROCKER ASM.				1
2	SS4080620TP	SCREW 1/8-44 L=6				1
3	SS9111010SP	SCREW 11/64-40 L=9.5				1
4	13215306	RUBBER CASE				1
5	13215405	RUBBER CASE GASKET				1
6	13215504	FEED BAR SUPPORT , RIGHT				1
7	13215603	FEED BAR SUPPORT , LEFT				1
8	SS6090620TP	SCREW				4
9	12118303	DUST-PROOF RUBBER				1
10	12118204	OIL SHIELD RUBBER				3
11	13215702	RUBBER HOLDING PLATE				1
12	SS7060310SP	SCREW 3/32-56 L=3				2
13	13215900	OIL SHIELD CASE				1
14	13216007	OIL SHIELD CASE GASKET				1
15	SM4040855SP	SCREW				1
16	SM4030455SP	SCREW				2
17	13215801	THROAT PLATE SUPPORT				1
18	13122700	ADJUSTING SHAFT METAL				1
19	13216106	OIL SHIELD PLATE				1
20	SS1060610SP	SCREW 3/32-56 L=5.5				2
21	13216205	FEED CAM OIL SHIELD PLATE				1
22	SM6040600SP	SCREW M4 L=6				2
23	13216304	OIL SHIELD PLATE				1
24	13122809	DIFFERENTIAL FEED GRADUATION				1
25	SM4051255SP	SCREW.,M5 L=12.				2
26	13121405	ADJUSTING STOPPER				2
27	SS4090515SP	SCREW 9/64-40 L=5				2
28	WP0371016SD	WASHER 3.7X8X1				2
29	13120902	SUPPORT SHAFT				1
30	13121058	HRUST COLLAR ASM.				1
31	13121009	HRUST COLLAR		*		1
32	SS8660330SP	SCREW 1/4-40 L= 3.0		*		1
33	13120803	SLIDE BLOCK				1
34	13170204	RUBBER RING				1
35	SM4040855SP	SCREW				1
36	13217708	DIFFERENTIAL FEED BLOCK				1
37	RE0300000K0	E-RING 3				1
38	13213012	ADJUSTING SCREW				1
39	13123302	DIFFERENTIAL FEED SCREW SPRING				1
40	13121306	ADJUSTING LINK				1
41	RE0500000K0	E-RING 5				1
42	13121256	SUPPORT SHAFT COLLAR ASM.				1
43	13121207	SUPPORT SHAFT COLLAR		*		1
44	SS8110410TP	SCREW 11/64-40 L= 3.5		*		1
45	13121900	DIFFERENTIAL FEED ROCKER				1
46	SS6661110SP	SCREW 1/4-40 L=11				1
47	13217351	ROCKER SHAFT ASM.				1

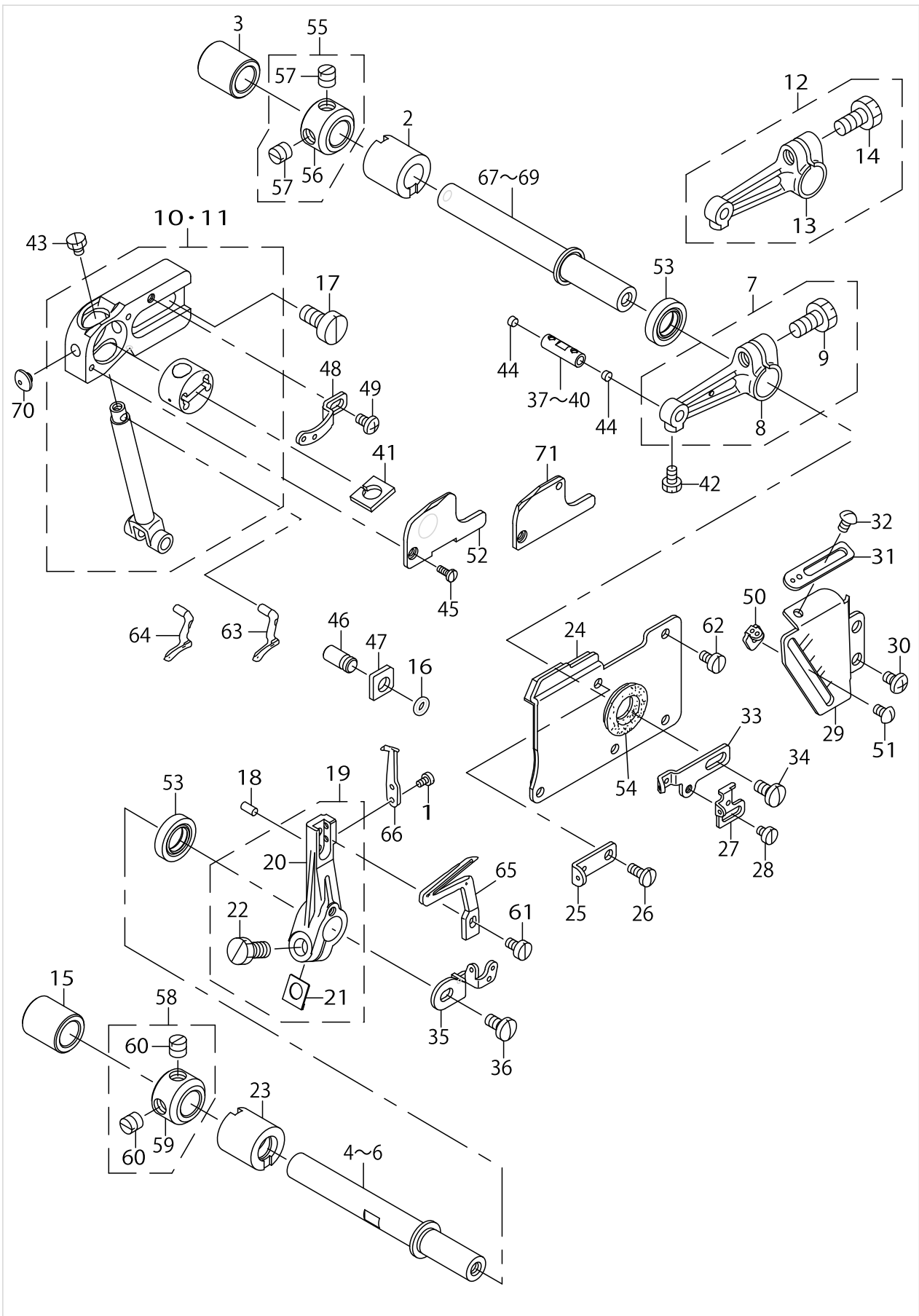
FEED MECHANISM COMPONENTS (2)



FEED MECHANISM COMPONENTS (2)

No.	Parts No.	Parts name	Remarks	Level	Cons	Qty
48	13170501	RUBBER RING				1
49	13121603	ADJUSTING LEVER SPRING				1
50	13218052	DIFFERENTIAL FEED ARM ASM.				1
51	SS9111050SP	SCREW 11/64-40 L=9.5				1
52	13121108	WASHER				1
53	TA0800504R0	PLUG D=8 L=4.5				1
54	13200902	FEED MECHANISM COVER PRESSER				1
55	SS6080340SP	SCREW 1/8-44 L=2.9				1
56	13218102	SLIDE BLOCK				1
57	13217401	DIFFERENTIAL FEED HINGE SCREW				1
58	13217500	DIFFERENTIAL FEED LOCK NUT				1
59	SD0720271SP	HINGE SCREW D=7,2 H=2,7				1
60	SM4041055SP	SCREW M4 L=10				4
61	WP0460556SD	WASHER 4.6X7.5X0.5				1
62	WP0480856SP	WASHER 4.8X8.4X0.8				4
63	WP0621016SD	WASHER 6.2X13X1				1
64	13191606	MAIN FEED DOG	FOR MO-6704D			1
65	13192000	MAIN FEED DOG	FOR MO-6714D			1
66	13192406	MAIN FEED DOG	FOR MO-6716D			1
67	13192802	DIFFERENTIAL FEED DOG	FOR MO-6704D			1
68	13193206	DIFFERENTIAL FEED DOG	FOR MO-6714D			1
69	13193602	DIFFERENTIAL FEED DOG	FOR MO-6716D			1
70	13191309	AUXILIARY FEED DOG	FOR MO-6704D,MO-6714D			1
71	13191408	AUXILIARY FEED DOG	FOR MO-6716D			1

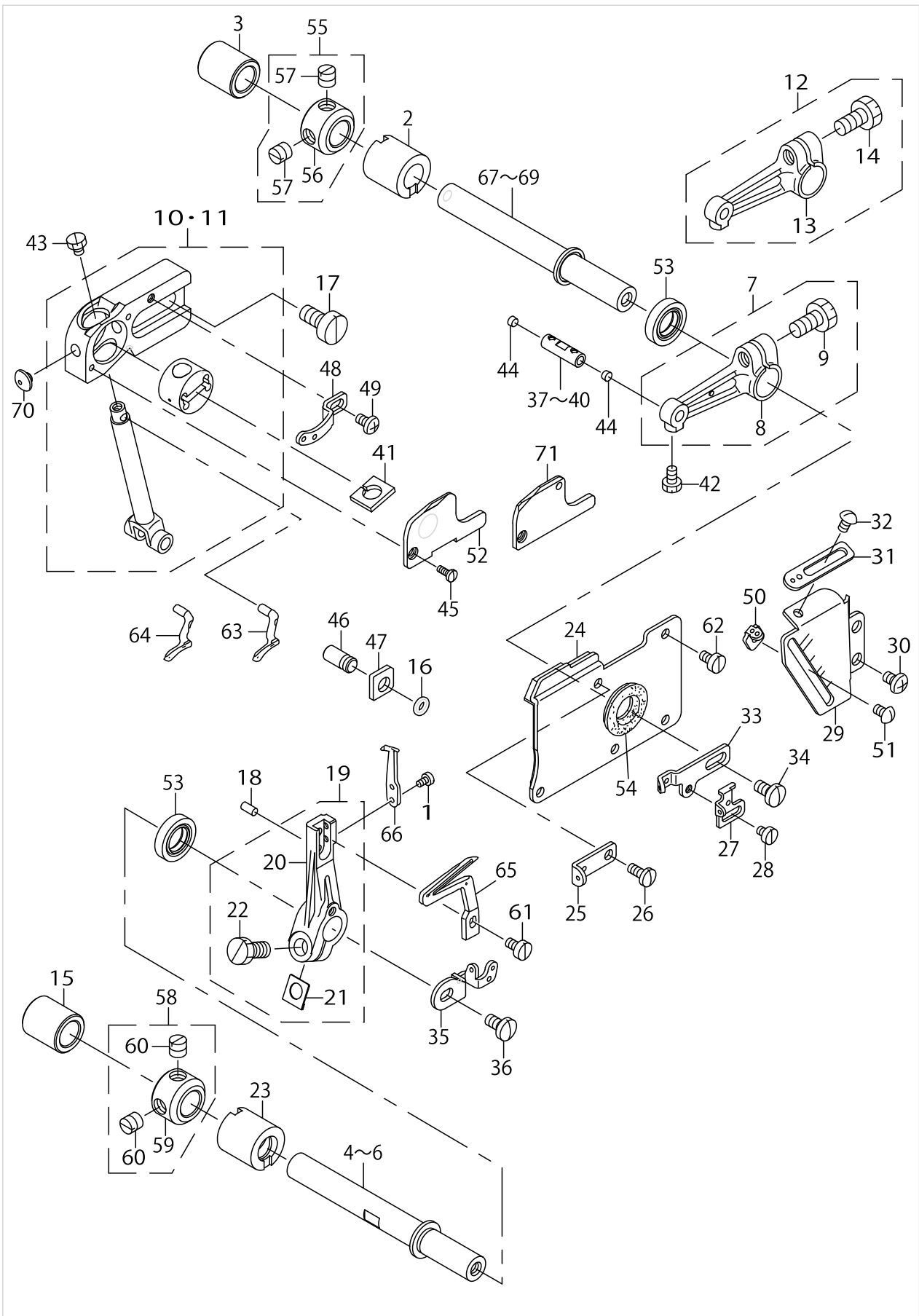
UPPER & LOWER LOOPER COMPONENTS



UPPER & LOWER LOOPER COMPONENTS

No.	Parts No.	Parts name	Remarks	Level	Cons	Qty
1	SS6060440TP	SCREW 3/32-56 L=3.5				2
2	40004696	UPPER LOOPER SHAFT FRONT METAL				1
3	13222708	LOOPER SHAFT REAR BUSHING				1
4	13221700	LOWER LOOPER SHAFT A	SELECTIVE PARTS			1
5	13221809	LOWER LOOPER SHAFT B	SELECTIVE PARTS			1
6	13221908	LOWER LOOPER SHAFT C	SELECTIVE PARTS			1
7	13131156	UPPER LOOPER ARM B ASM.	FOR MO-6714D			1
8	13131107	UPPER LOOPER ARM B		*		1
9	SS9151210TP	SCREW 15/64-28 L=11.8		*		1
10	40039400	GUIDE SUPPORT A ASM.	FOR MO-6704D,MO-6716D			1
11	40039401	GUIDE SUPPORT B ASM	FOR MO-6714D			1
12	13131057	UPPER LOOPER ARM A ASM.	FOR MO-6704D,MO-6716D			1
13	13131008	UPPER LOOPER ARM A		*		1
14	SS9151210TP	SCREW 15/64-28 L=11.8		*		1
15	13222708	LOOPER SHAFT REAR BUSHING				1
16	13170600	RUBBER RING				1
17	SM6061200SP	SCREW M6 L=12				2
18	PS0300062KH	SPRING PIN 3X6				1
19	13132550	LOWER LOOPER SUPPORT ARM ASM.				1
20	13132501	LOWER LOOPER SUPPORT ARM		*		1
21	13129309	WASHER		*		1
22	SS9151210TP	SCREW 15/64-28 L=11.8		*		1
23	13222609	LOWER LOOPER SHAFT FRONT METAL				1
24	13133053	OIL SHIELD PLATE ASM.				1
25	12340600	UPPER LOOPER THREAD GUIDE				1
26	SS7090850SP	SCREW 9/64-40 L=8				1
27	12340709	LOWER LOOPER THREAD TAKE-UP				1
28	SS6080410SP	SCREW 1/8-44 L=4				1
29	13222401	LOOPER THREAD TAKE-UP COVER				1
30	SM4040655SP	SCREW M4 L=6				2
31	12340303	THREAD GUIDE, RIGHT				1
32	SS3090610SP	SCREW 9/64-40 L=6				1
33	12340402	THREAD TAKE-UP,RIGHT				1
34	SS7110840SP	SCREW 11/64-40 L=7.8				1
35	13132907	LOOPER THREAD TAKE-UP, LEFT				1
36	SS7110840SP	SCREW 11/64-40 L=7.8				1
37	40004716	UPPER LOOPER HOLDER PIN A	SELECTIVE PARTS			1
38	40004718	UPPER LOOPER HOLDER PIN B	SELECTIVE PARTS			1
39	40004720	UPPER LOOPER HOLDER PIN C	SELECTIVE PARTS			1
40	40004722	UPPER LOOPER HOLDER PIN D	SELECTIVE PARTS			1
41	40004751	UPPER LOOPER GUIDE FELT				1
42	SS9090610TP	SCREW 9/64-40 L=5.5				1
43	SS9090410TP	SCREW				1
44	40004580	NEEDLE DRIVING ARM PIN PLUG				2
45	SS7060610SP	SCREW 3/32-56 L= 5.5				2
46	13131800	GAUGE FIXING PIN				1
47	13132006	GUIDE SUPPORT GAUGE				1

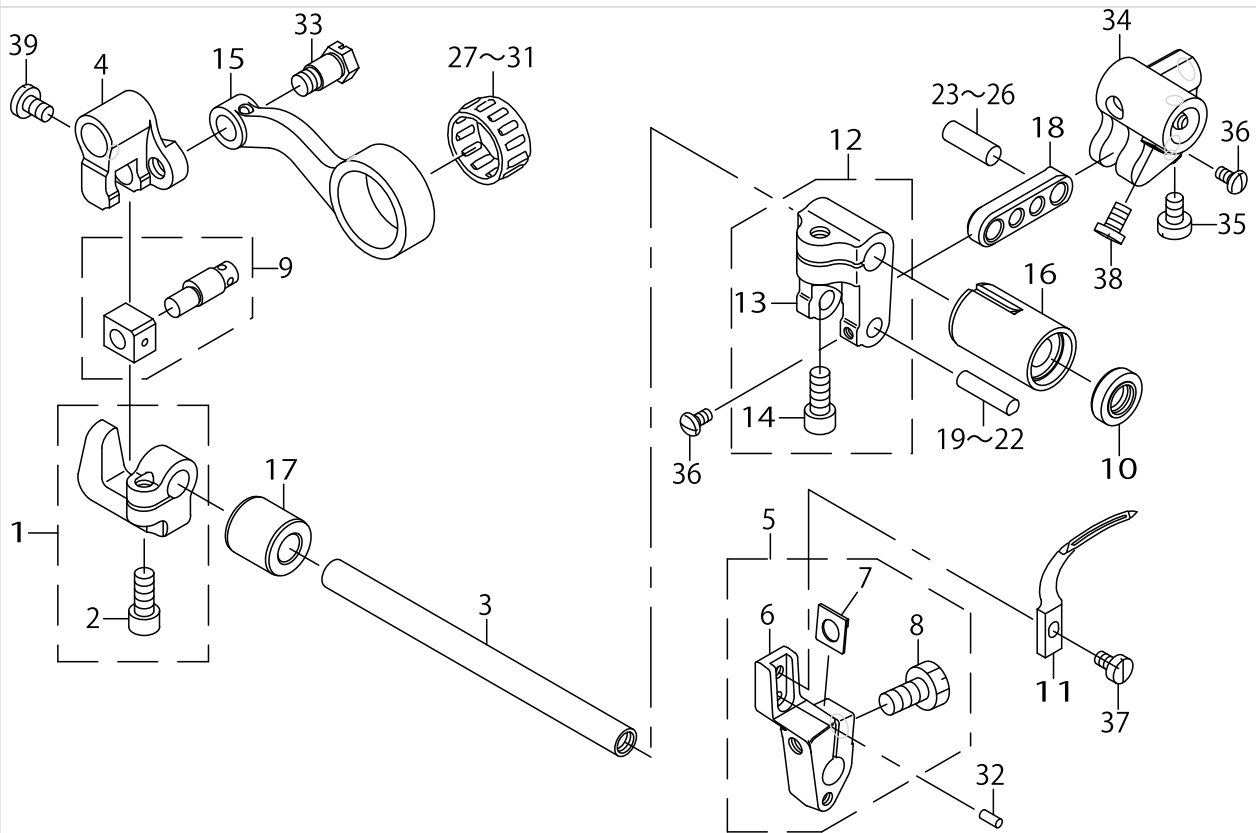
UPPER & LOWER LOOPER COMPONENTS



UPPER & LOWER LOOPER COMPONENTS

No.	Parts No.	Parts name	Remarks	Level	Cons	Qty
48	12340501	THREAD GUIDE, UPPER				1
49	SS4090615SP	SCREW 9/64-40 L=6				1
50	12340808	THREAD GUIDE				1
51	SS3090610SP	SCREW 9/64-40 L=6				1
52	40004713	UPPER LOOPER GUIDE COVER A	FOR MO-6704D,MO-6716D			1
53	40032565	OIL SEAL				2
54	B2530704000	UPPER LOOPER SHAFT RUBBER RING				1
55	13172853	THRUST COLLAR ASM.				1
56	13172804	THRUST COLLAR		*		1
57	SS8660610TP	SCREW 1/4-40 L=6		*		2
58	13172853	THRUST COLLAR ASM.	FOR MO-6704D,MO-6714D			1
59	13172804	THRUST COLLAR		*		1
60	SS8660610TP	SCREW 1/4-40 L=6		*		2
61	SS6090620TP	SCREW				1
62	SS6090630TP	SCREW 9/64-40 L=6				4
63	11991908	UPPER LOOPER	FOR MO-6704D,MO-6716D			1
64	12176103	UPPER LOOPER	FOR MO-6714D			1
65	11999307	LOWER LOOPER				1
66	11890001	TRAVELING NEEDLE GUARD				1
67	40004692	UPPER LOOPER SHAFT A	SELECTIVE PARTS			1
68	40004693	UPPER LOOPER SHAFT B	SELECTIVE PARTS			1
69	40004694	UPPER LOOPER SHAFT C.	SELECTIVE PARTS			1
70	13204003	SAFETY PLATE BUSH				1
71	40004714	UPPER LOOPER GUIDE COVER B	FOR MO-6714D			1

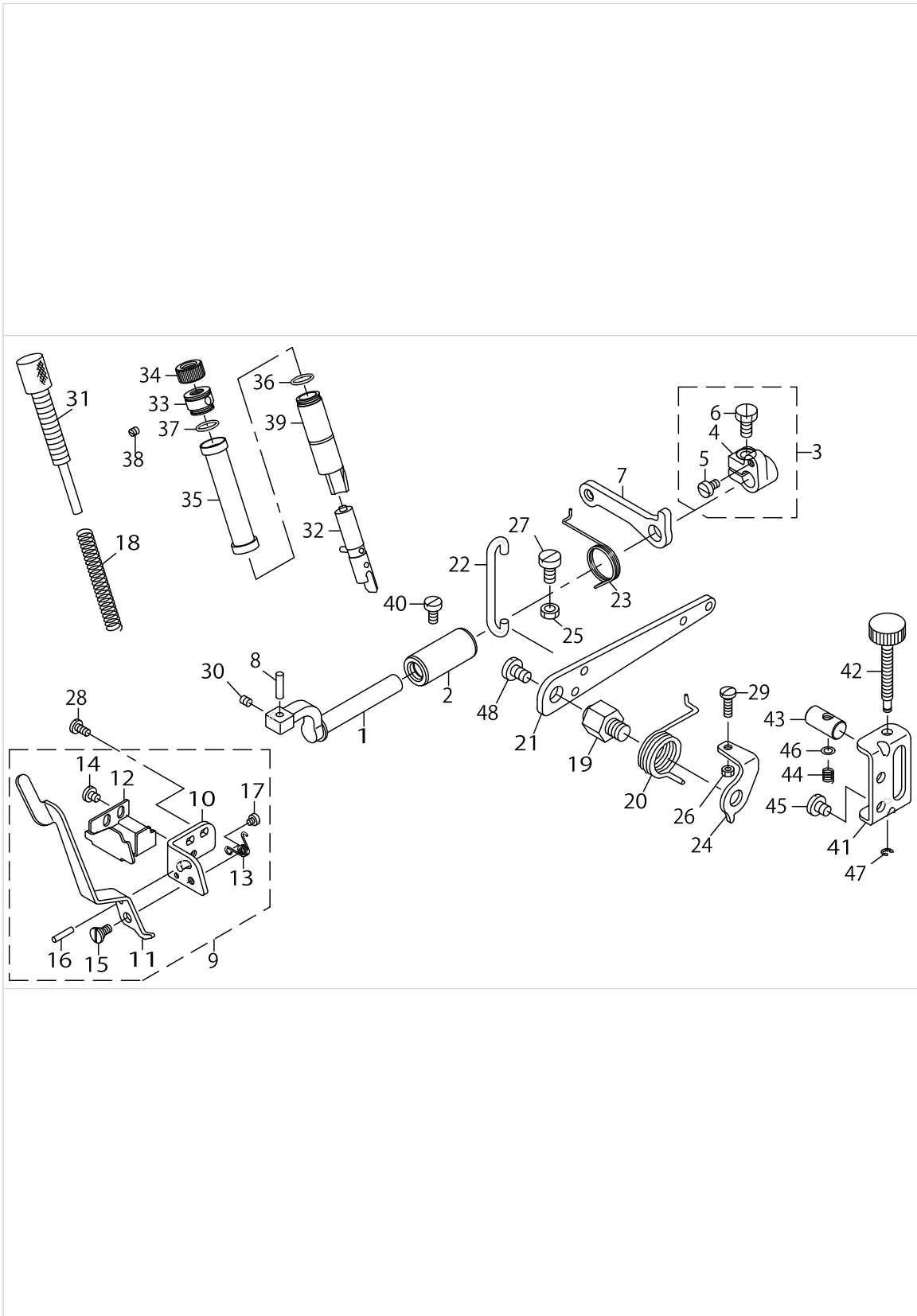
CHAIN LOOPER COMPONENTS (FOR MO-6716D)



CHAIN LOOPER COMPONENTS (FOR MO-6716D)

No.	Parts No.	Parts name	Remarks	Level	Cons	Qty
1	13129853	BRACKET ASM.				1
2	SM6051202TP	SCREW M5X0.8 L=12		*		1
3	13126909	CHAIN LOOPER SHAFT				1
4	13126008	FRONT-AND-REAR ARM				1
5	13129952	CHAIN LOOPER DRIVING ARM ASM.				1
6	13129903	CHAIN LOOPER DRIVING ARM		*		1
7	13129309	WASHER		*		1
8	SS9151210TP	SCREW 15/64-28 L=11.8		*		1
9	13126354	SLIDE BLOCK PIN ASM.				1
10	40010805	OIL SEAL RING				1
11	12120705	CHAIN LOOPER				1
12	13125950	CHAIN LOOPER DRIVING ARM ASM.				1
13	13125901	CHAIN LOOPER DRIVING ARM		*		1
14	SM6051202TP	SCREW M5X0.8 L=12		*		1
15	13220009	CHAIN LOOPER ROD				1
16	13128103	BUSHING, FORNT				1
17	13127006	BUSHING, REAR				1
18	13127105	CHAIN LOOPER SHAFT DRIV. LINK				1
19	13126503	PIN , LONG A	SELECTIVE PARTS			1
20	13126602	PIN , LONG B	SELECTIVE PARTS			1
21	13126701	PIN , LONG C	SELECTIVE PARTS			1
22	13126800	PIN , LONG D	SELECTIVE PARTS			1
23	13127204	PIN , SHORT A	SELECTIVE PARTS			1
24	13127303	PIN , SHORT B	SELECTIVE PARTS			1
25	13127402	PIN , SHORT C	SELECTIVE PARTS			1
26	13127501	PIN , SHORT D	SELECTIVE PARTS			1
27	B2119816A00	BEARING A	SELECTIVE PARTS			1
28	B2119816B00	BEARING B	SELECTIVE PARTS			1
29	B2119816C00	BEARING C	SELECTIVE PARTS			1
30	B2119816D00	BEARING D	SELECTIVE PARTS			1
31	B2119816E00	BEARING E	SELECTIVE PARTS			1
32	PS0250062KH	SPRING PIN 2.5X6				1
33	SD0720803TH	STEP-SCREW D=7.24 H=8				1
34	12121612	DRIVING BALL ARM BRACKET				1
35	SS6110710TP	SCREW 11/64-40 L= 6.5				1
36	SS4080620TP	SCREW 1/8-44 L=6				2
37	SS6090620TP	SCREW				1
38	SS6110710TP	SCREW 11/64-40 L= 6.5				2
39	SS7110720TP	SCREW 11/64-40 L=7				1

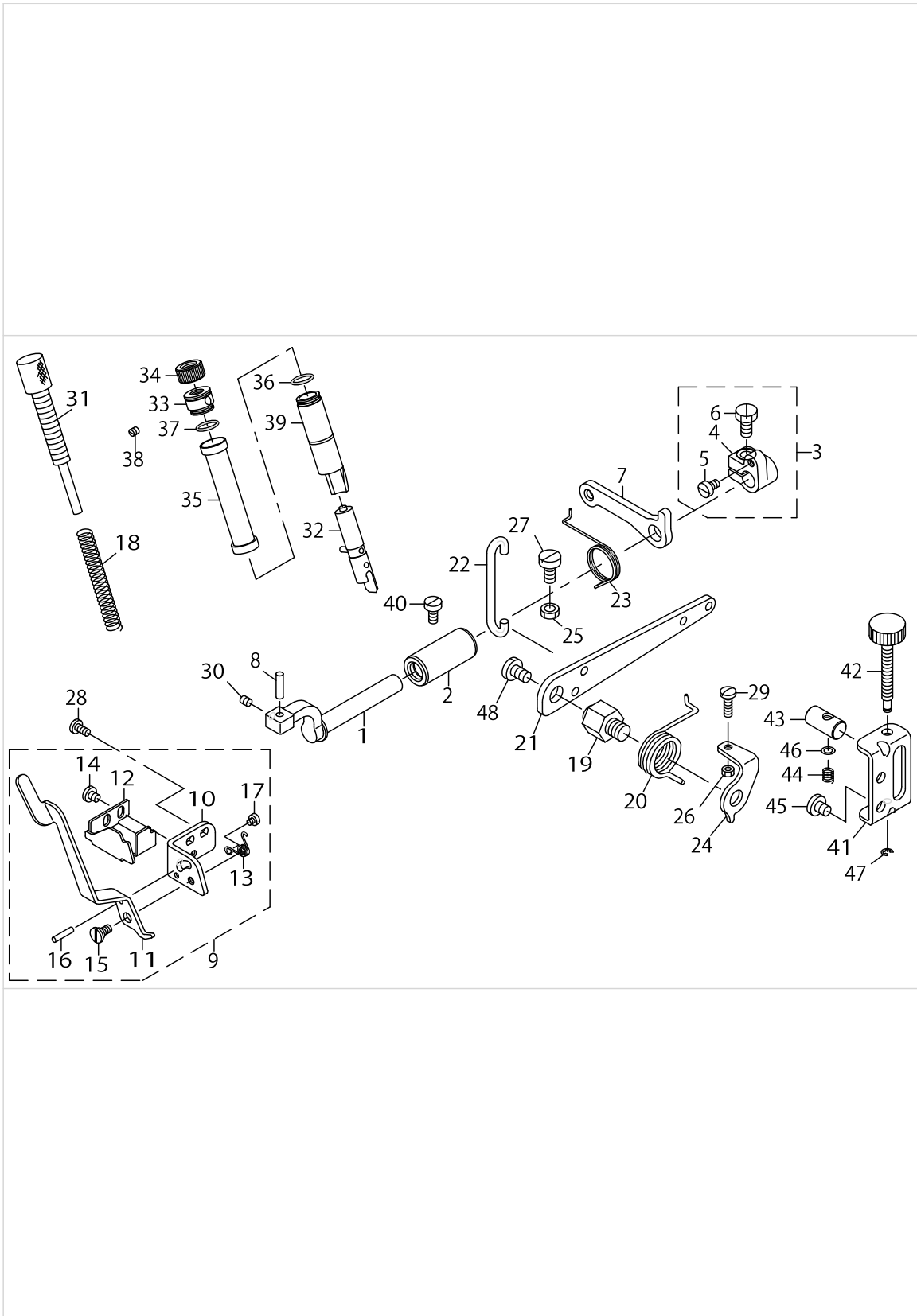
PRESSER FOOT COMPONENTS (1)



PRESSER FOOT COMPONENTS (1)

No.	Parts No.	Parts name	Remarks	Level	Cons	Qty
1	13115001	PRESSER FOOT SHAFT				1
2	13115100	PRESSER FOOT SHAFT BUSHING				1
3	13115258	THRUST ARM ASM.				1
4	13115209	THRUST ARM		*		1
5	SS6110710TP	SCREW 11/64-40 L= 6.5		*		1
6	SS9151210TP	SCREW 15/64-28 L=11.8		*		1
7	13116801	LIFTING ARM				1
8	13115407	PRESSER FOOT ARM HINGE SHAFT				1
9	13115753	PRESSER LIFTING LEVER BASE ASM				1
10	13115803	PRESSER LIFTING LEVER BASE		*		1
11	13115902	PRESSER LIFTING LEVER		*		1
12	13116009	PRESSER ARM STOPPER		*		1
13	13116108	PRESSER FOOT LIFTING SPRING		*		1
14	SS7110510SP	SCREW 11/64-40 L=5		*		2
15	SD0640241SP	HINGE SCREW D= 6.35 H= 2.4		*		1
16	PS0300142KH	SPRING PIN 0.3 X 14		*		1
17	SS6080340SP	SCREW 1/8-44 L=2.9		*		1
18	13116207	PRESSER FOOT SPRING				1
19	13117007	PRESSER LIFTING LEVER SCREW				1
20	13116306	PRESSER LIFTING LEVER SPRING				1
21	13116900	PRESSER LIFTING LEVER				1
22	13116405	PRESSER LIFTING HOOK				1
23	13116504	LIFTING LEVER ARM SPRING				1
24	13116603	PRESSER LIFTING LEVER SPRING				1
25	NM6060003SC	NUT M6				1
26	NS6110420SP	NUT 11/64-40				1
27	SM6061200SP	SCREW M6 L=12				1
28	SS7110840SP	SCREW 11/64-40 L=7.8				2
29	SS7111410TP	SCREW 11/64-40 L=14				1
30	SM8050412TP	SCREW M5 L=4				1
31	40034897	PRESSER ADJUSTING SCREW				1
32	13115654	PRESSER BAR ASM.				1
33	12288700	PRESSER REGULATOR SCREW WASHER				1
34	13117106	PRESSER REGULATOR NUT				1
35	13212709	PRESSER BAR COVER				1
36	13170402	RUBBER RING				2
37	13170402	RUBBER RING				1
38	SM8040402TP	SCREW M4X0.7 L=4				1
39	13212501	PRESSER BAR BUSHING				1
40	SS6121020SP	SCREW 3/16-28 L= 9.5				1
41	13212808	ADJUSTING BASE				1
42	13213012	ADJUSTING SCREW				1
43	13212915	ADJUSTING BLOCK				1
44	13123302	ADJUSTING SPRING				1
45	SS7150740SP	SCREW 15/64-28 L=7				2
46	WP0460556SD	WASHER 4.6X7.5X0.5				1
47	RE0300000K0	E-RING 3				1

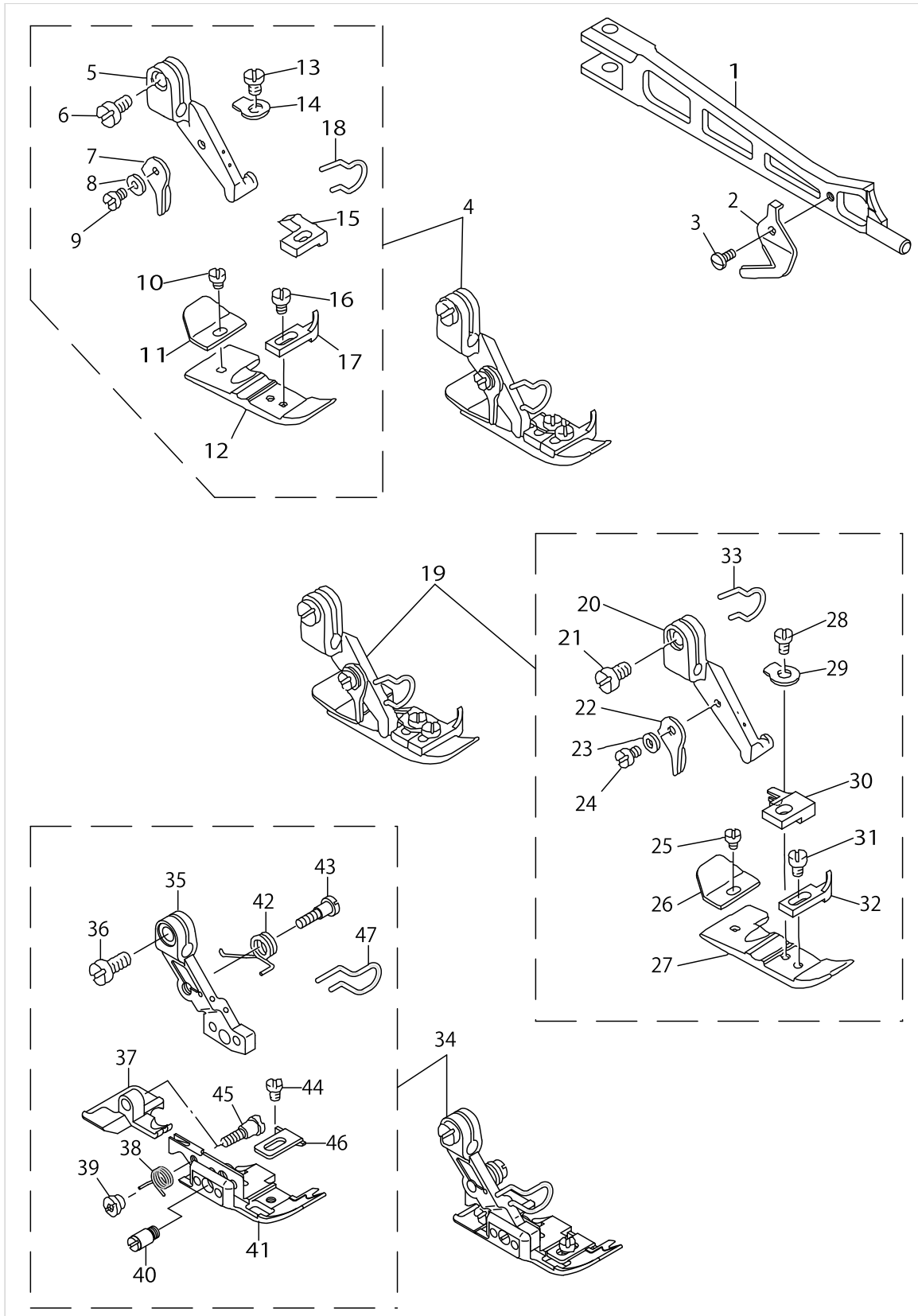
PRESSER FOOT COMPONENTS (1)



PRESSER FOOT COMPONENTS (1)

No.	Parts No.	Parts name	Remarks	Level	Cons	Qty
48	SS7161040SP	SCREW 1/4-24 L= 9.5				1

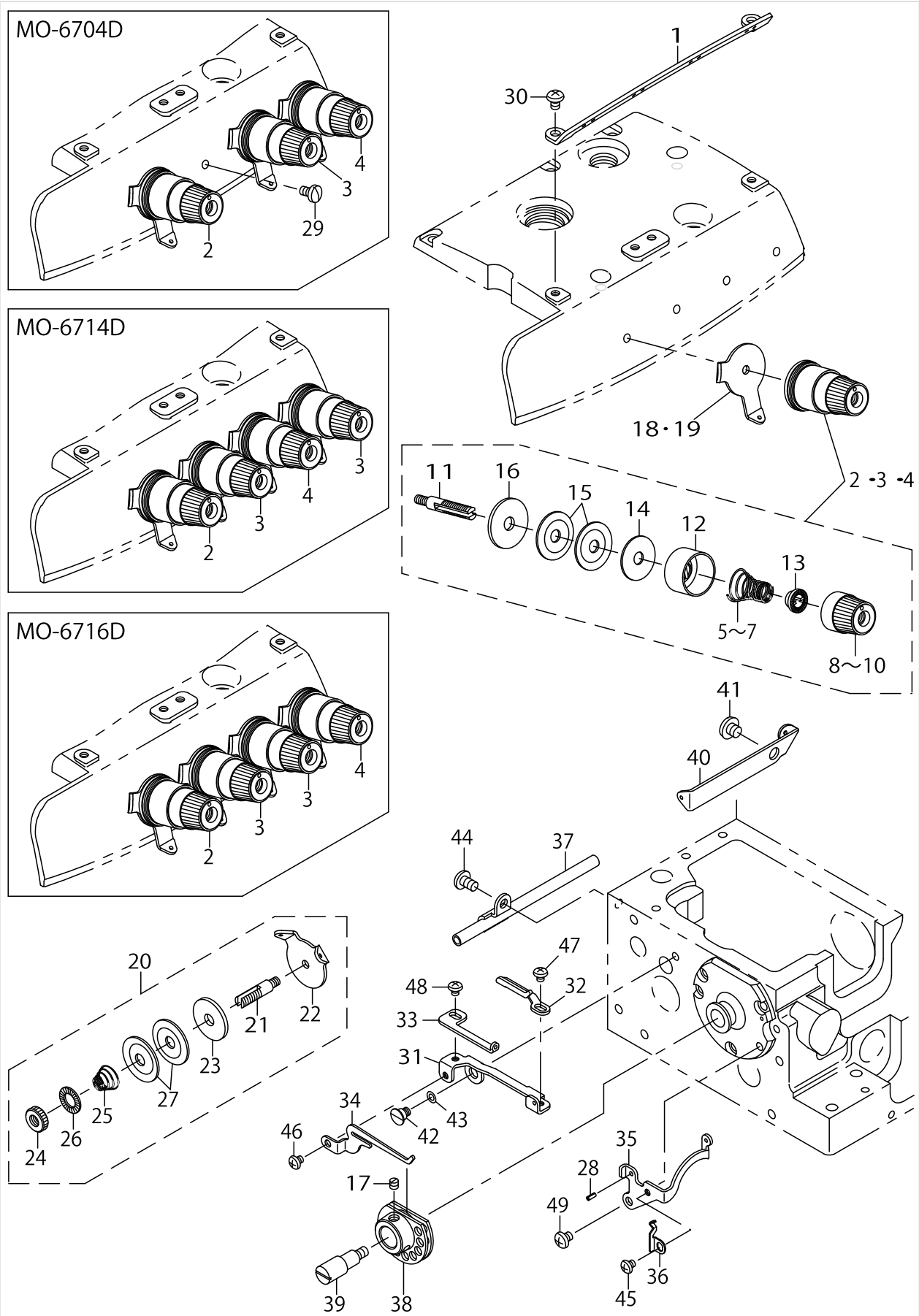
PRESSER FOOT COMPONENTS (2)



PRESSER FOOT COMPONENTS (2)

No.	Parts No.	Parts name	Remarks	Level	Cons	Qty
1	12253829	PRESSER FOOT ARM				1
2	13116702	THREAD TRIMMER				1
3	SS7060510SP	SCREW 3/32-56 L=4.8				1
4	11876166	PRESSER FOOT ASM.	FOR MO-6704D			1
5	11872009	PRESSER FOOT HINGE		*		1
6	SS6090670TP	SCREW 9/64-40 L=6		*		1
7	B1530804000	STOPPER		*		1
8	WP0250516SD	WASHER 2.5X6X0.5		*		1
9	SS7060610SP	SCREW 3/32-56 L= 5.5		*		1
10	SS6060210SP	SCREW 3/32-56 L= 1.9		*		1
11	B1511814000	REAR PRESSER FOOT		*		1
12	B1507804C00	PRESSER FOOT		*		1
13	SS7080520SP	SCREW 1/8-44 L=4.9		*		1
14	B150880400B	SPRING		*		1
15	B1509804C00	STITCH TONGUE		*		1
16	SS6060440TP	SCREW 3/32-56 L=3.5		*		1
17	B1510814000	CURL GUARD		*		1
18	13178306	FINGER GUIDE		*		1
19	11876869	PRESSER FOOT ASM.	FOR MO-6714D			1
20	11872009	PRESSER FOOT HINGE		*		1
21	SS6090670TP	SCREW 9/64-40 L=6		*		1
22	B1530804000	STOPPER		*		1
23	WP0250516SD	WASHER 2.5X6X0.5		*		1
24	SS7060610SP	SCREW 3/32-56 L= 5.5		*		1
25	SS6060210SP	SCREW 3/32-56 L= 1.9		*		1
26	B1511814000	REAR PRESSER FOOT		*		1
27	B150781400P	PRESSER FOOT		*		1
28	SS7080520SP	SCREW 1/8-44 L=4.9		*		1
29	B150880400B	SPRING		*		1
30	B150981400P	STITCH TONGUE		*		1
31	SS6060440TP	SCREW 3/32-56 L=3.5		*		1
32	B1510814000	CURL GUARD		*		1
33	13178306	FINGER GUIDE		*		1
34	12153763	PRESSER FOOT ASM.	FOR MO-6716D			1
35	12156907	PRESSER FOOT HINGE		*		1
36	SS6090650SP	SCREW 9/64-40 L=6		*		1
37	12164802	REAR PRESSER FOOT		*		1
38	12167805	SPRING, FOR REAR PRESSER FOOT		*		1
39	B1513816000	NUT, FOR REAR PRESSER FOOT		*		1
40	12167409	HINGE PIN		*		1
41	12162202	PRESSER FOOT		*		1
42	12167607	PRESSER FOOT ARM SPRING		*		1
43	12167508	HINGE SCREW		*		1
44	SS6060340SP	SCREW 3/32-56 L= 2.5		*		1
45	B1514816000	SCREW		*		1
46	12167706	PRESSER FOOT		*		1
47	13178405	FINGER GUIDE		*		1

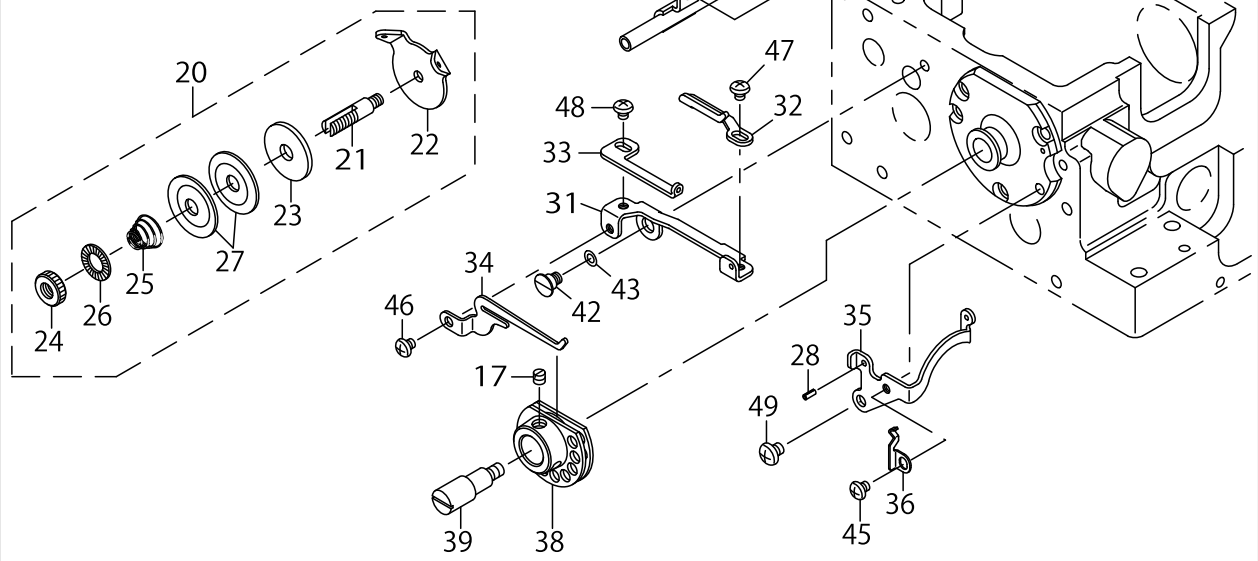
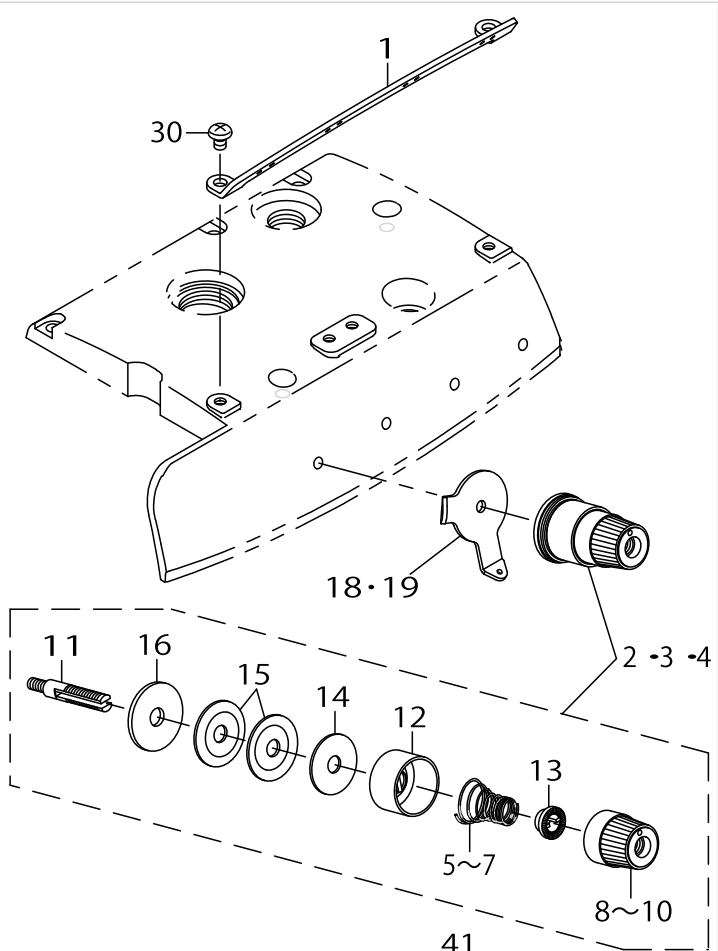
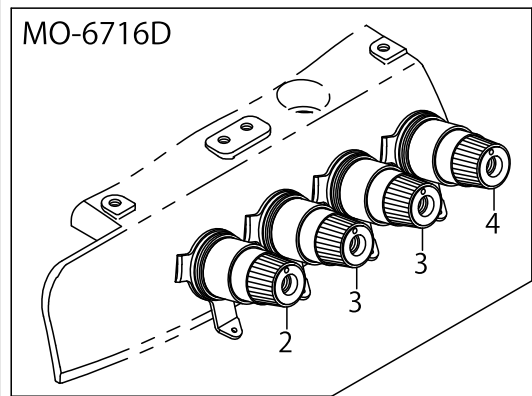
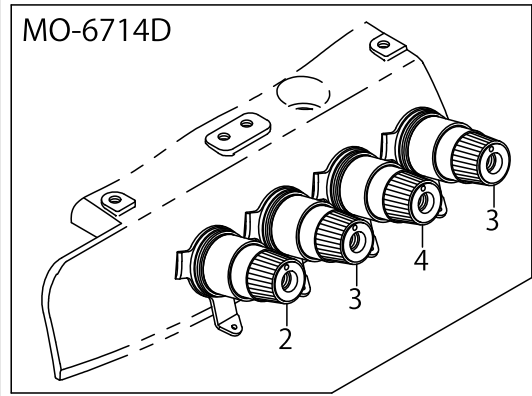
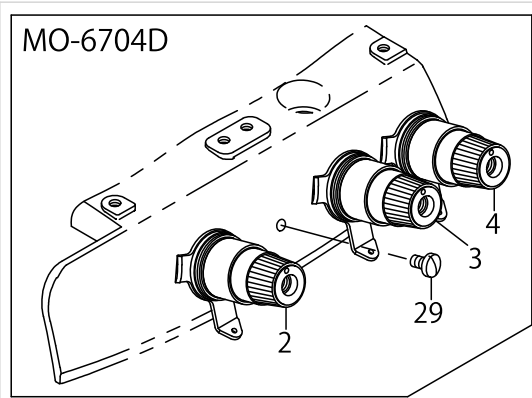
THREAD TENSION COMPONENTS



THREAD TENSION COMPONENTS

No.	Parts No.	Parts name	Remarks	Level	Cons	Qty
1	13225008	CENTER THREAD GUIDE				1
2	13137559	THREAD TENSION SPRING COMPL.				1
3	13138359	THREAD TENSION SPRING COMPL.	FOR MO-6704D(1 PC. IS USED.) FOR MO-6714D,MO-69-16D (2 PC. ARE USED.)			1
4	13138656	THREAD TENSION SPRING COMPL.				1
5	13137807	THREAD TENSION SPRING, RED		*		1
6	13138508	THREAD TENSION SPRING, YELLOW		*		1
7	13138805	THREAD TENSION SPRING, BLUE		*		1
8	13137708	THREAD TENSION KNOB, RED		*		1
9	13138409	THREAD TENSION KNOB, YELLOW		*		1
10	13138706	THREAD TENSION KNOB, BLUE		*		1
11	13138904	THREAD TENSION BAR		*		1
12	13137609	THREAD TENSION DISK PRESSER		*		1
13	13137906	SPRING BUSHING		*		1
14	13138102	THREAD TENSION SPRING FELT		*		1
15	13138201	THREAD TENSION DISK		*		2
16	13138003	THREAD TENSION RUBBER WASHER		*		1
17	SS8110410TP	SCREW 11/64-40 L= 3.5	FOR MO-6716D			2
18	13225107	TESION DISK THREAD GUIDE	FOR MO-6704D			3
19	13225107	TESION DISK THREAD GUIDE	FOR MO-6714D,MO-6716D			4
20	13139555	THREAD TENSION POST CONPL.	FOR MO-6716D			1
21	13140009	THREAD TENSION POST		*		1
22	13139605	TESION DISK THREAD GUIDE		*		1
23	13139902	THREAD TENSION SPRING FELT		*		1
24	13139803	THREAD TENSION NUT		*		1
25	13139704	THREAD TENSION SPRING		*		1
26	22921407	ROTATION STOPPER		*		1
27	13138201	THREAD TENSION DISK		*		2
28	PS0200052KH	SPRING PIN 2.3X5	FOR MO-6716D			1
29	SS7110710SL	SCREW 11/64-40 L=7.0	FOR MO-6704D			1
30	SS4110615SP	SCREW 11/64-40 L=6				2
31	13128202	THREAD CAM THREAD GUIDE BASE	FOR MO-6716D			1
32	13128301	THREAD CAM THREAD GUIDE A	FOR MO-6716D			1
33	13128400	THREAD CAM THREAD GUIDE B	FOR MO-6716D			1
34	13128509	LOWER THREAD CAM HOOK	FOR MO-6716D			1
35	13128608	LOWER THREAD GUIDE	FOR MO-6716D			1
36	13128707	THREAD GUIDE BASE SPRING	FOR MO-6716D			1
37	13129259	LOWER THREAD CONDUIT BASE ASM.	FOR MO-6716D			1
38	13129457	LOWER THREAD CAM COMPL.	FOR MO-6716D			1
39	B2202816000	SHAFT	FOR MO-6716D			1
40	13129101	LOWER THREAD CONDUIT GUIDE	FOR MO-6716D			1
41	SS5150510SP	SCREW 15/64-28 L=5	FOR MO-6716D			1
42	SD0600341TP	HINGE SCREW D=6.0 H=3.4	FOR MO-6716D			1
43	WZ0640312K0	WAVED WASHER	FOR MO-6716D			1
44	SM4050855SP	SCREW M5 L=8	FOR MO-6716D			1
45	SS4090415SP	SCREW 9/64-40 L=4	FOR MO-6716D			1

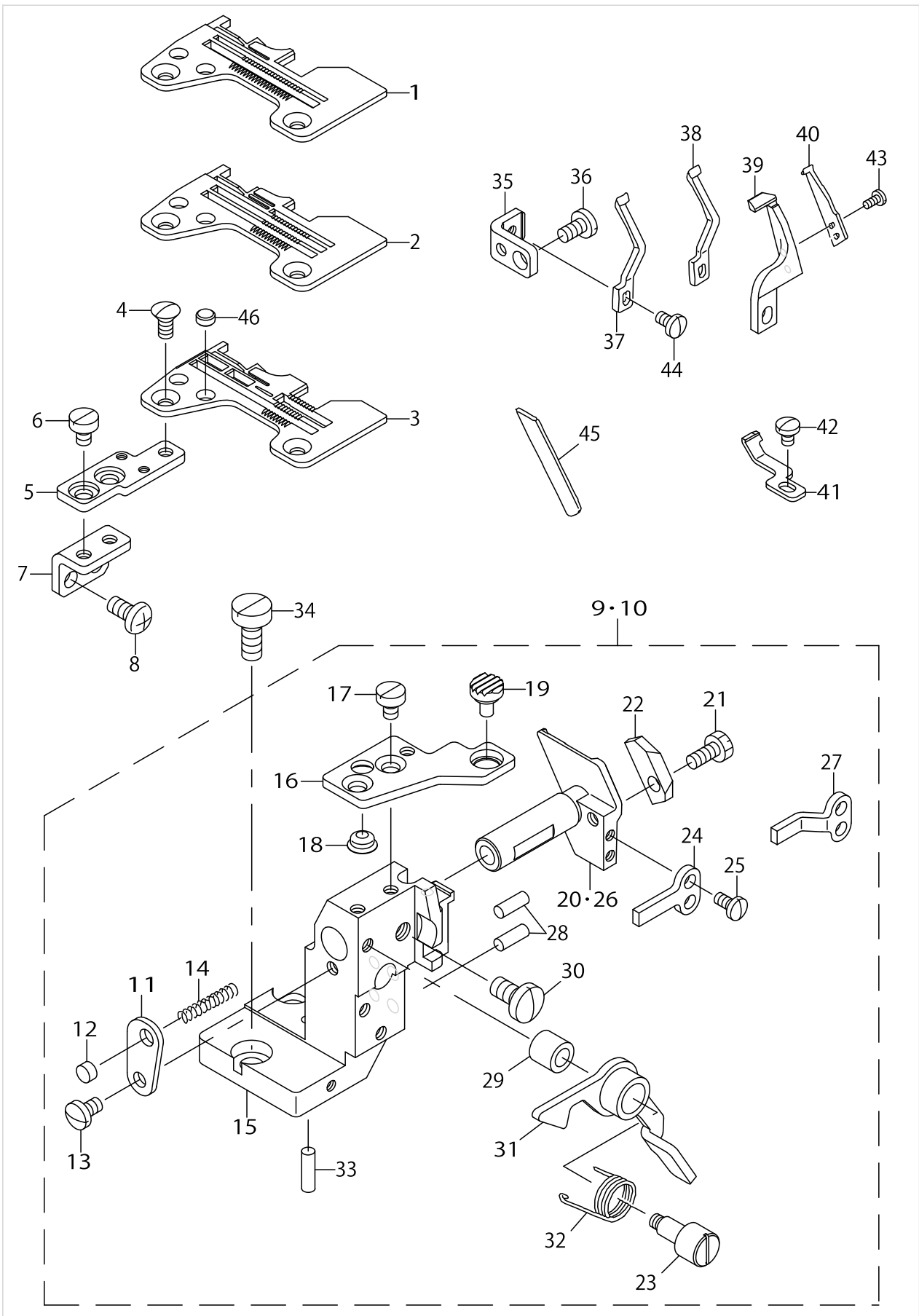
THREAD TENSION COMPONENTS



THREAD TENSION COMPONENTS

No.	Parts No.	Parts name	Remarks	Level	Cons	Qty
46	SS4090415SP	SCREW 9/64-40 L=4	FOR MO-6716D			1
47	SS4090415SP	SCREW 9/64-40 L=4	FOR MO-6716D			1
48	SS4090415SP	SCREW 9/64-40 L=4	FOR MO-6716D			1
49	SS4110515SP	SCREW 11/64-40 L=5	FOR MO-6716D			1

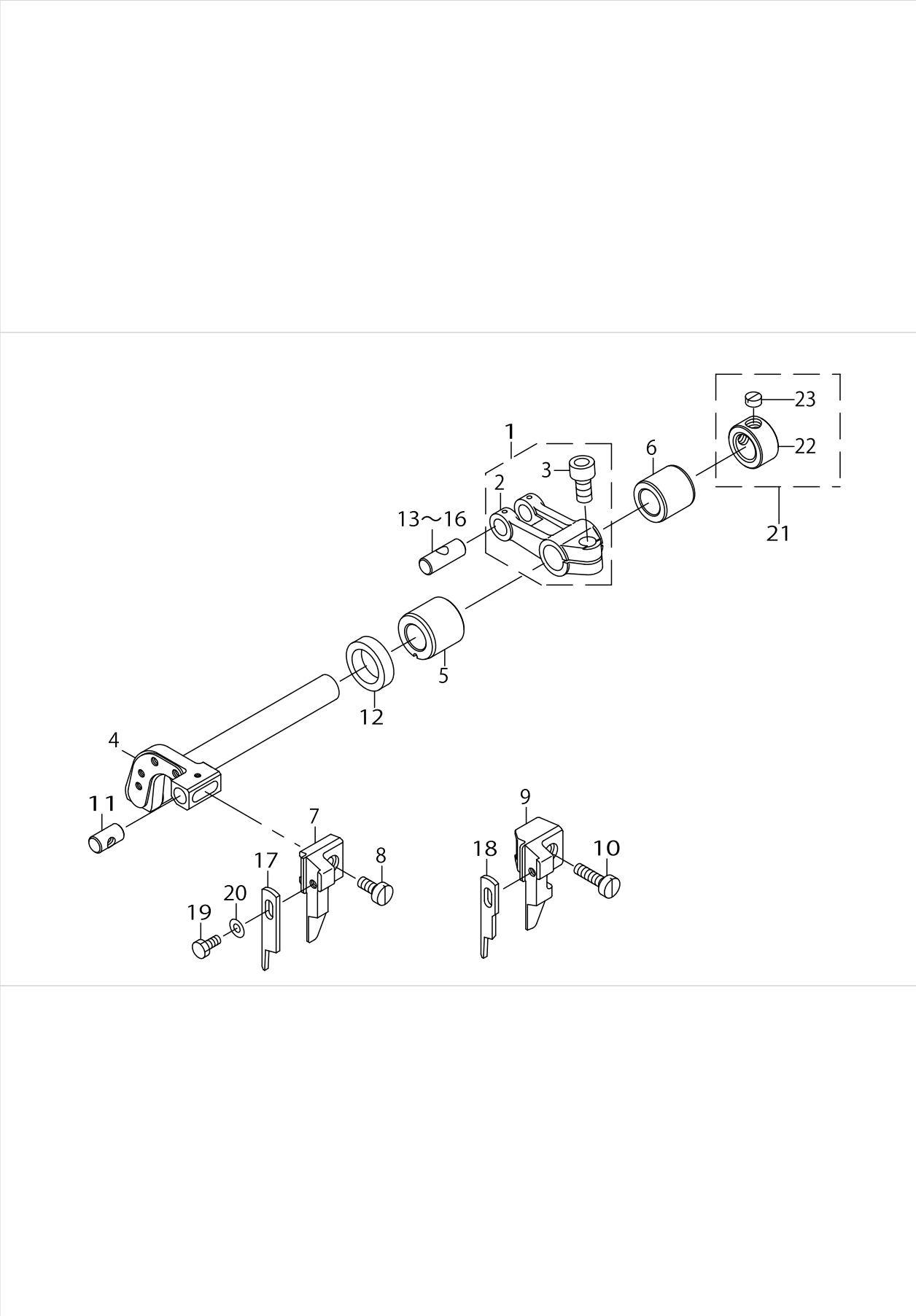
LOWER KNIFE COMPONENTS



LOWER KNIFE COMPONENTS

No.	Parts No.	Parts name	Remarks	Level	Cons	Qty
1	R4200J6ED00	THROAT PLATE	FOR MO-6704D			1
2	R4305J6EE00	THROAT PLATE	FOR MO-6714D			1
3	R4508J6ED00	THROAT PLATE	FOR MO-6716D			1
4	SS2110910SL	SCREW 11/64-40 L=9				2
5	13151204	THROAT PLATE BASE B				1
6	SS6110610TP	SCREW 11/64-40 L=6				2
7	12288908	THROAT PLATE BASE B SUPPORT				1
8	SM4051055SP	SCREW				2
9	13232657	LOWER KNIFE BRACKET ASM.	FOR MO-6704D,MO-6714D			1
10	13232756	LOWER KNIFE BRACKET ASM.	FOR MO-6716D			1
11	13149307	SPRING STOPPER		*		1
12	13102702	THROAT PLATE COVER		*		1
13	SS7110720SP	SCREW 11/64-40 L=7		*		1
14	13148101	SPRING		*		1
15	13149406	LOWER KNIFE BRACKET		*		1
16	13148309	THROAT PLATE BASE A		*		1
17	SS6110610TP	SCREW 11/64-40 L=6		*		2
18	13149109	RUBBER PLUG B		*		1
19	13235304	RUBBER PLUG A		*		1
20	13149505	LOWER KNIFE SLIDE STUD	FOR MO-6704D,MO-6714D	*		1
21	SS9111010SP	SCREW 11/64-40 L=9.5		*		1
22	13149208	LOWER KNIFE PRESSER PLATE		*		1
23	13148408	LEVER SHAFT		*		1
24	13149703	ROTATING STOPPER	FOR MO-6704D,MO-6714D	*		1
25	SS7090710SP	SCREW 9/64-40 L= 6.8		*		2
26	13149604	LOWER KNIFE SLIDE STUD	FOR MO-6716D	*		1
27	13149802	ROTATING STOPPER	FOR MO-6716D	*		1
28	13149901	HOLDER PIN		*		2
29	13148903	RUBBER PLUG		*		1
30	SS7151120SP	SCREW 15/64-28 L=11		*		1
31	13148556	LEVER ASM.		*		1
32	13148804	LIVER SPRING		*		1
33	13149901	HOLDER PIN		*		1
34	SS6151440SP	SCREW 15/64-28 L=14				2
35	13151105	NEEDLE HOLDER SUPPORT				1
36	SS7110840SP	SCREW 11/64-40 L=7.8				1
37	11890100	NEEDLE GUARD	FOR MO-6704D			1
38	11890308	NEEDLE GUARD	FOR MO-6714D			1
39	12015301	NEEDLE HOLDER	FOR MO-6716D			1
40	12015400	NEEDLE HOLDER	FOR MO-6716D			1
41	12177903	NEEDLE HOLDER	FOR MO-6716D			1
42	SS7090510SP	SCREW 9/64-40 L= 4.6	FOR MO-6716D			1
43	SS7060510SP	SCREW 3/32-56 L=4.8	FOR MO-6716D			2
44	SS7090610SP	SCREW 9/64-40 L=6				1
45	13150701	LOWER KNIFE				1
46	13102702	THROAT PLATE COVER				2

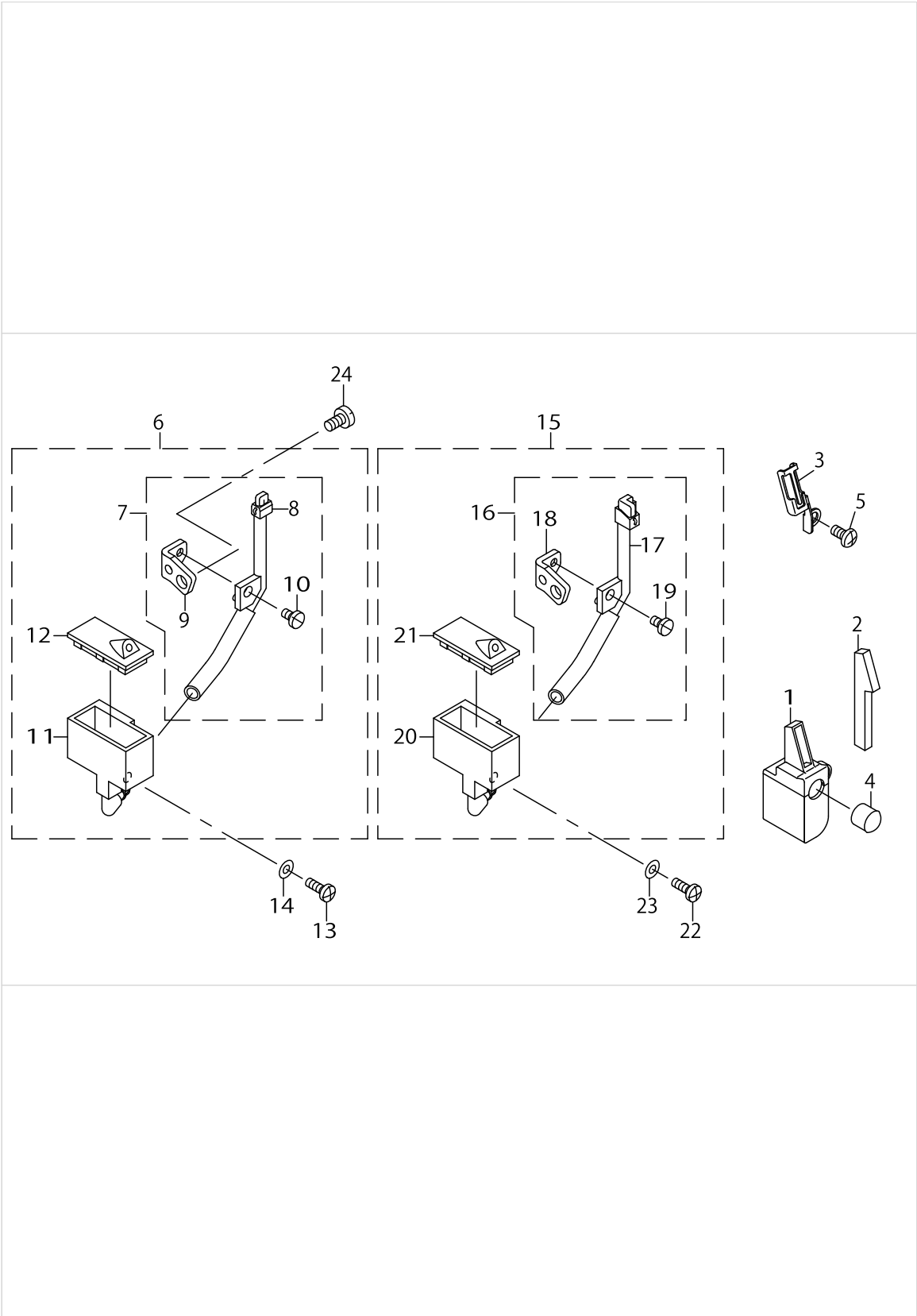
UPPER KNIFE COMPONENTS



UPPER KNIFE COMPONENTS

No.	Parts No.	Parts name	Remarks	Level	Cons	Qty
1	13147558	FEED FORKED ARM ASM.				1
2	13147509	FEED FORKED ARM		*		1
3	SM6061402TP	SCREW M6 L=14		*		1
4	13151303	KNIFE DRIVING ARM SHAFT				1
5	13150909	BUSHING, FRONT				1
6	13151006	BUSHING, REAR				1
7	13147400	PLAIN KNIFE SUPPORT A	FOR MO-6704D,MO-6714D			1
8	SS6111040SP	SCREW 11/64-40 L= 9.5	FOR MO-6704D,MO-6714D			1
9	13147301	PLAIN KNIFE SUPPORT	FOR MO-6716D			1
10	SS6111610SP	SCREW 11/64-40 L=16	FOR MO-6716D			1
11	13150800	UPPER KNIFE GUIDE SHAFT				1
12	11566809	OIL SEAL				1
13	13122007	CRANK PIN A	SELECTIVE PARTS			1
14	13122106	CRANK PIN B	SELECTIVE PARTS			1
15	13122205	CRANK PIN C	SELECTIVE PARTS			1
16	13122304	CRANK PIN D	SELECTIVE PARTS			1
17	13150503	PLAIN KNIFE	FOR MO-6704D,MO-6714D			1
18	13150602	PLAIN KNIFE	FOR MO-6716D			1
19	SS9090823TP	BOLT 9/64-40 L=8				1
20	WP0370316SD	WASHER 3.7X8X0.3				1
21	CS111101HSH	THRUST COLLAR ASM.				1
22	CS1111019SH	THRUST COLLAR D=11.11 W=10		*		1
23	SS8660330SP	SCREW 1/4-40 L= 3.0		*		1

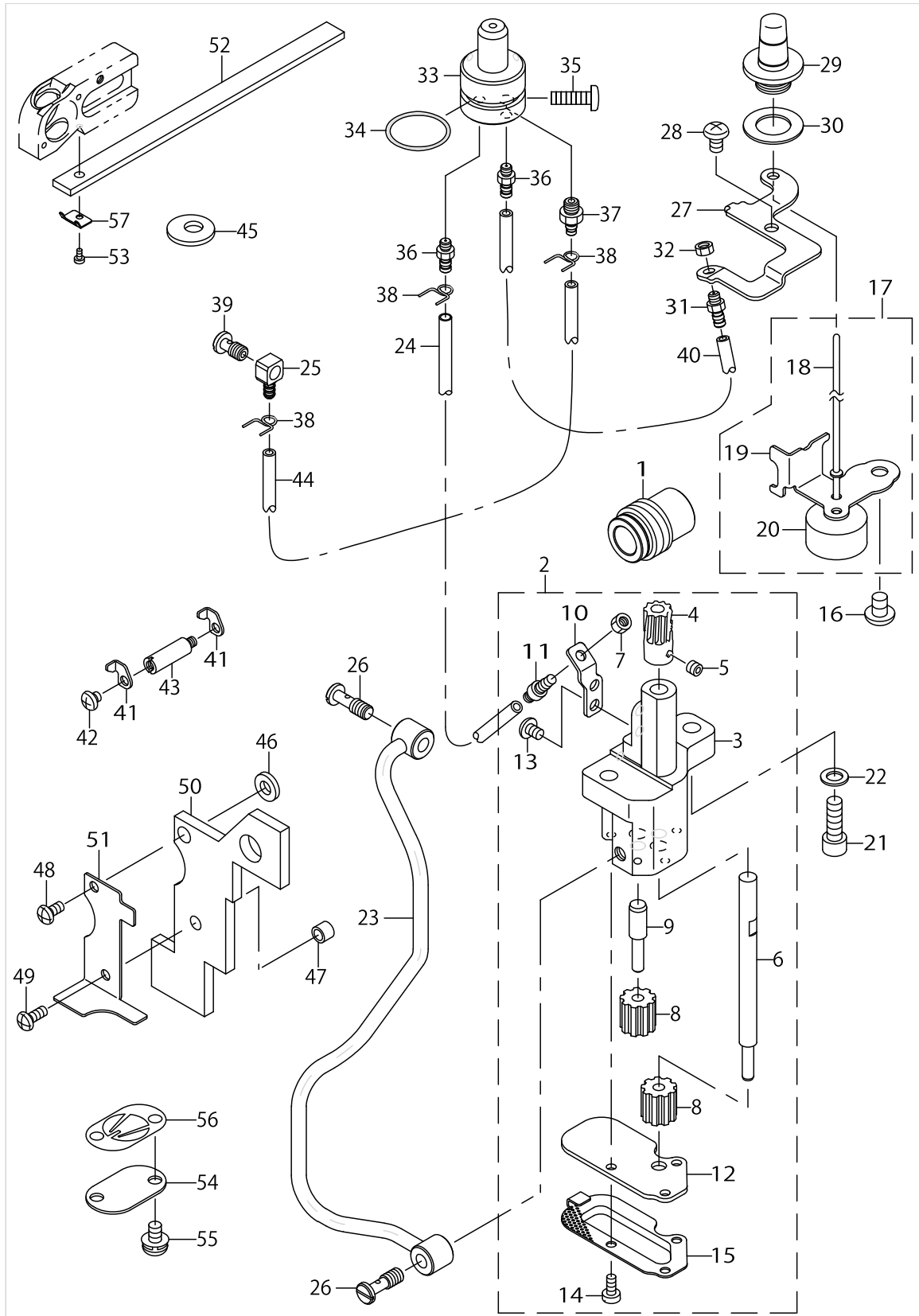
NEEDLE COOLING MECHANISM COMPONENTS (FOR SH)



NEEDLE COOLING MECHANISM COMPONENTS (FOR SH)

No.	Parts No.	Parts name	Remarks	Level	Cons	Qty
1	13163456	SILICON TANK ASM.				1
2	13163803	NEEDLE THREAD FELT				1
3	13163902	NEEDLE THREAD FELT PRESSER				1
4	TA0950806R0	RUBBER PLUG				1
5	SM4040855SP	SCREW				1
6	13162557	NEEDLE COOLER UNIT ASM. (OVER)	FOR MO-6704D,MO-6714D			1
7	13162565	NEEDLE COOLER UNIT COMPL.		*		1
8	13162573	NEEDLE COOLER UNIT ASM. (OVER)		*		1
9	13162805	NEEDLE COOLER SUPPORT		*		1
10	SS7090610SP	SCREW 9/64-40 L=6		*		1
11	13162904	TANK		*		1
12	13163001	TANK COVER		*		1
13	SS4091015SP	SCREW 9/64-40 L=10				1
14	WP0371026SD	WASHER 3.7X7X1				1
15	13163159	NEEDLE COOLER UNIT ASM.(INTER)	FOR MO-6716D			1
16	13163167	NEEDLE COOLER COMPL.(INTER)		*		1
17	13163175	NEEDLE COOLER ASM.(INTER)		*		1
18	13162805	NEEDLE COOLER SUPPORT		*		1
19	SS7090610SP	SCREW 9/64-40 L=6		*		1
20	13162904	TANK		*		1
21	13163001	TANK COVER		*		1
22	SS4091015SP	SCREW 9/64-40 L=10				1
23	WP0371026SD	WASHER 3.7X7X1				1
24	SS7110840SP	SCREW 11/64-40 L=7.8				1

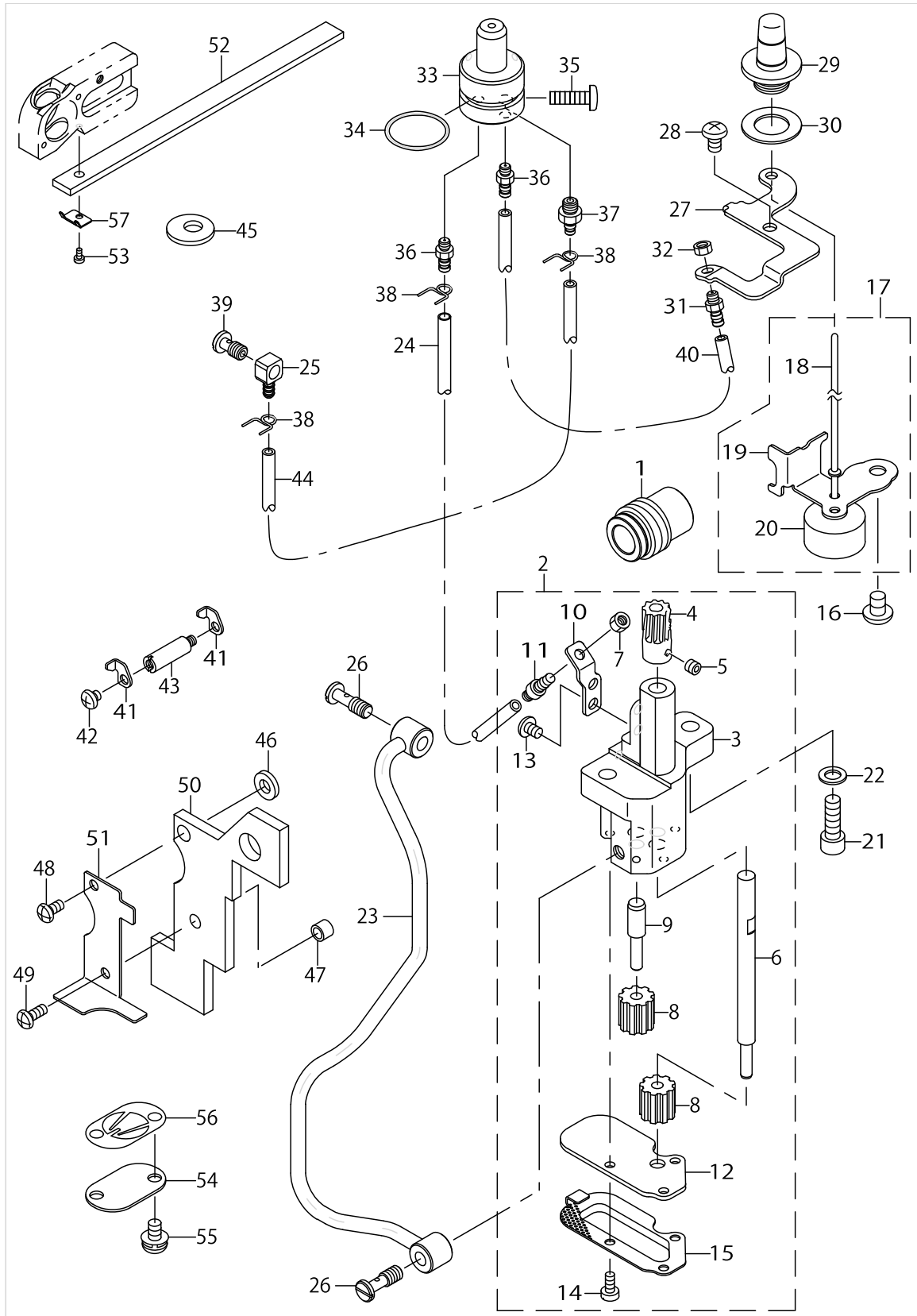
LUBRICATION MECHANISM COMPONENTS



LUBRICATION MECHANISM COMPONENTS

No.	Parts No.	Parts name	Remarks	Level	Cons	Qty
1	13230305	WORM				1
2	40032580	OIL PUMP ASM.				1
3	40032581	OIL PUMP BODY		*		1
4	13343009	WORM WHEEL		*		1
5	SM8050412TP	SCREW M5 L=4		*		2
6	13228002	GEAR PUMP SHAFT ,LARGE		*		1
7	NS6110310SP	NUT 11/64-40		*		1
8	13228200	OIL PUMP PINION ,LARGE		*		2
9	13227905	GEAR PUMP SHAFT ,SMALL		*		1
10	12129318	CONNECTING SCREW BRACKET		*		1
11	SQ1110451MZ	CONNECTING SCREW		*		1
12	40016762	PUMP COVER		*		1
13	SS4110615SP	SCREW 11/64-40 L=6		*		2
14	SS6090810SP	SCREW 9/64-40 L= 7.5		*		3
15	40016763	PUMP NET		*		1
16	SM4060801SE	SCREW				1
17	13229356	FLOAT ASM.				1
18	12129904	OIL GAUGE BAR		*		1
19	13229307	FLOAT SUPPORT		*		1
20	12129805	FLOAT		*		1
21	SM6061802TP	SCREW M6 L=18				2
22	WP0651056SD	WASHER 6.5X11X1				2
23	13228655	LUBRICATION MECHANISM PIPE ASM				1
24	BP30000010R	VINYL PIPE				0.18
25	SQ0000451MZ	CONNECTING SCREW				1
26	SQ1150454SD	CONNECTING SCREW				2
27	13143805	EXHAUST PORT SUPPORT				1
28	SM4050855SP	SCREW				1
29	13143300	OIL GAUGE				1
30	13144001	OIL GAUGE GASKET				1
31	SQ1110451MZ	CONNECTING SCREW				1
32	NS6110310SP	NUT 11/64-40				1
33	13142955	FILTER GUIDE ASM.				1
34	13170808	RUBBER RING				1
35	SM4051601SC	SCREW M5X0.8 L=16				1
36	SQ1110451MZ	CONNECTING SCREW				2
37	SQ1150451MZ	CONNECTING SCREW				1
38	13142609	OIL TUBE HOLDER				3
39	SQ1150441SD	CONNECTING SCREW				1
40	23630007	TUBE				0.17
41	13228903	OIL FELT PRESSER				2
42	31018005	SCREW				1
43	13229000	FELT PRESSER SPACER				1
44	BP30000010R	VINYL PIPE				0.29
45	40004750	UPPER LOOPER ROOM HOLE FELT				1
46	B3013141H0A	WASHER				1
47	40032582	COLLAR				1

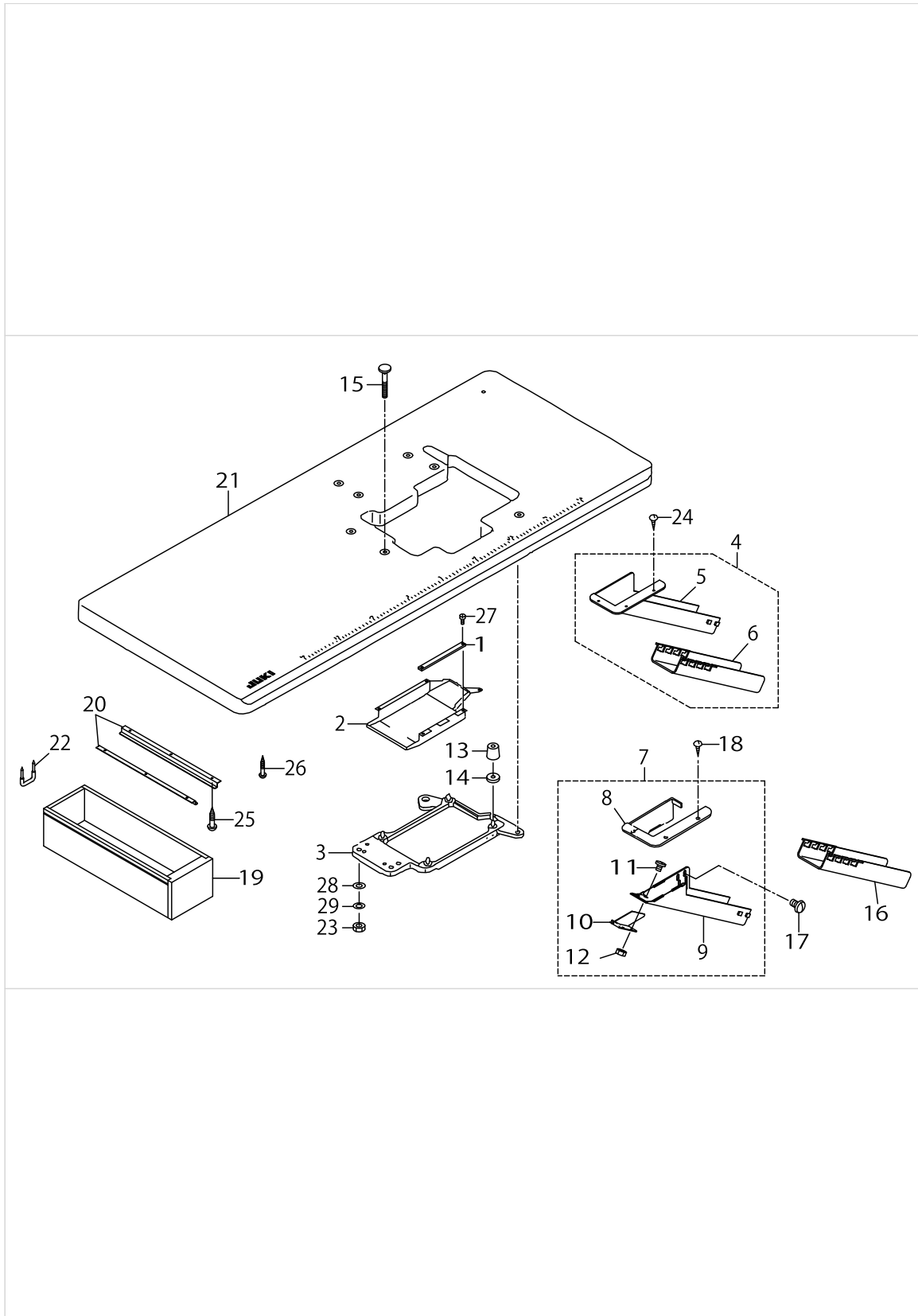
LUBRICATION MECHANISM COMPONENTS



LUBRICATION MECHANISM COMPONENTS

No.	Parts No.	Parts name	Remarks	Level	Cons	Qty
48	SM4040855SP	SCREW				1
49	SM4041055SP	SCREW M4 L=10				1
50	40004748	NEEDLE LUBRICATION FELT				1
51	40004747	FELT PRESSER				1
52	40004746	UPPER LOOPER LUBRICATION FELT				1
53	SS6060440TP	SCREW 3/32-56 L=3.5				1
54	40004509	UPPER LOOPER COVER				1
55	SS4120615SP	SCREW 3/16-28 L=6				2
56	40004755	LOOPER FELT PRESSER				1
57	13143607	OIL FELT PRESSER				1

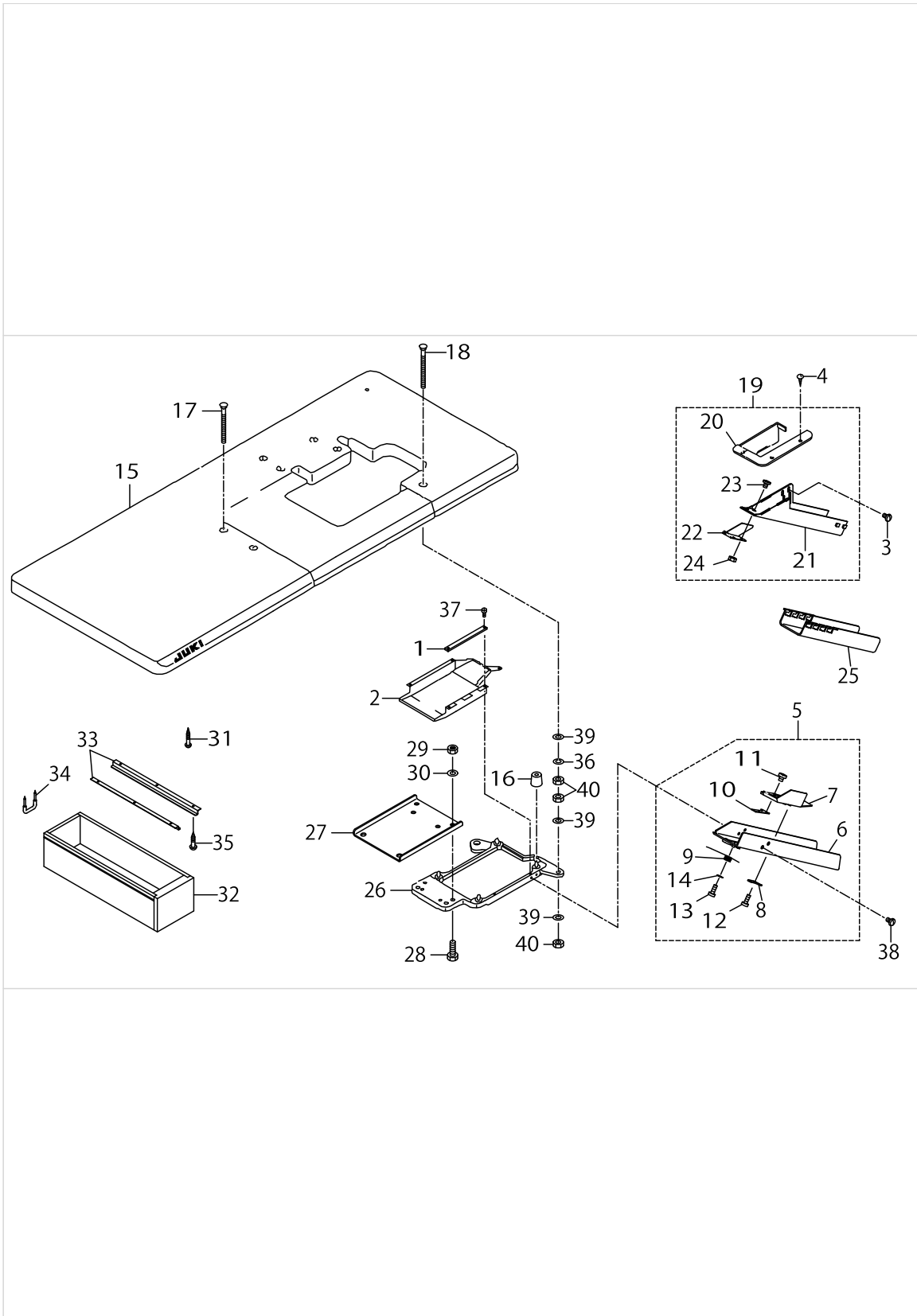
SEMI-SUNKEN TYPE TABLE COMPONENTS



SEMI-SUNKEN TYPE TABLE COMPONENTS

No.	Parts No.	Parts name	Remarks	Level	Cons	Qty
1	13161005	CASE SPONGE				1
2	13160908	COOLING FAN CASE				1
3	13161153	FRAME SUPPORT PLATE ASM.				1
4	12341954	CLOTH WASTE CHUTE ASM.	EXCEPT JE			1
5	12341905	CLOTH WASTE CHUTE(SEMI-SUNKEN)		*		1
6	12341806	CLOTH WASTE CHUTE		*		1
7	13155759	CLOTH WASTE CHUTE ASM.	FOR JE			1
8	13155601	CLOTH WASTE CHUTE INLET		*		1
9	13155700	CLOTH WASTE CHUTE, UPPER		*		1
10	13155502	CHUTE SUPPORT		*		1
11	SS5090610SP	SCREW 9/64-40 L=6		*		3
12	NS6090310SP	NUT 9/64-40		*		3
13	13155403	DUST-PROOF RUBBER				4
14	13156500	DUST-PROOF RUBBER SPACER				4
15	13155007	HOLDING PLATE BOLT				4
16	12341806	CLOTH WASTE CHUTE	FOR JE			1
17	SS5110710SP	SCREW 11/64-40 L=7	FOR JE			2
18	SK2351600SC	WOOD SCREW D=3.5 L=16	FOR JE			3
19	11155108	DRAWER				1
20	11155207	DRAWER SUPPORT				2
21	11959400	TABLE (SEMI-SUNKEN)				1
22	D8204555D00	DRAWER STOPPER				1
23	NS6240630SE	NUT 3/8-18				4
24	SK2351600SC	WOOD SCREW D=3.5 L=16	EXCEPT JE			3
25	SK3311500SC	WOOD SCREW D=3.1 L=15				6
26	SK3513200SC	WOOD SCREW D=5.1 L=32				4
27	SS6090630TP	SCREW 9/64-40 L=6				5
28	WP1002036SE	WASHER 10X21X2				4
29	WS1002560KR	SPRING WASHER 10X18X2.5				4

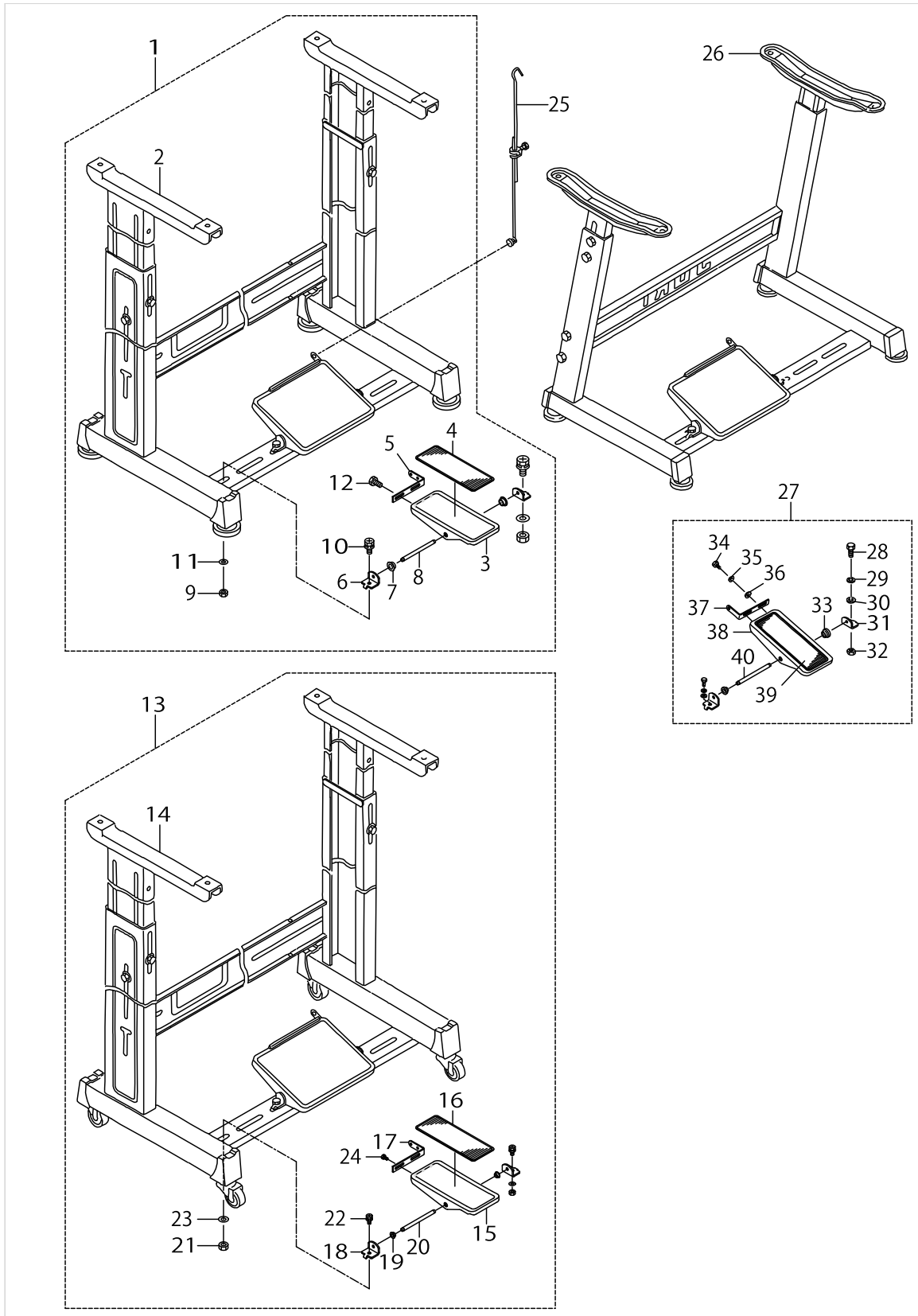
FULLY-SUNKEN TYPE TABLE COMPONENTS



FULLY-SUNKEN TYPE TABLE COMPONENTS

No.	Parts No.	Parts name	Remarks	Level	Cons	Qty
1	13161005	CASE SPONGE				1
2	13160908	COOLING FAN CASE				1
3	SS5110710SP	SCREW 11/64-40 L=7	FOR JE			2
4	SK2351600SC	WOOD SCREW D=3.5 L=16	FOR JE			3
5	13155858	CLOTH WASTE CHUTE ASM.	EXCEPT JE			1
6	13156203	CLOTH WASTE CHUTE		*		1
7	13156302	CLOTH WASTE CHUTE INLET		*		1
8	13155908	CHUTE INLET LEVER		*		1
9	13156005	CHUTE INLET SPRING		*		1
10	13156104	CHUTE INLET RUBBER		*		1
11	SS6090420SP	SCREW 9/64-40 L= 4.0		*		2
12	ST60308210A	SCREW D=3-24 L=8		*		2
13	ST60308210A	SCREW D=3-24 L=8		*		1
14	WP0370316SD	WASHER 3.7X8X0.3		*		1
15	11959558	TABLE ASM.				1
16	13155403	DUST-PROOF RUBBER				4
17	13155106	HOLDING PLATE BOLT C				2
18	13155205	HOLDING PLATE BOLT D				2
19	13155759	CLOTH WASTE CHUTE ASM.	FOR JE			1
20	13155601	CLOTH WASTE CHUTE INLET		*		1
21	13155700	CLOTH WASTE CHUTE, UPPER		*		1
22	13155502	CHUTE SUPPORT		*		1
23	SS5090610SP	SCREW 9/64-40 L=6		*		3
24	NS6090310SP	NUT 9/64-40		*		3
25	12341806	CLOTH WASTE CHUTE	FOR JE			1
26	13161153	FRAME SUPPORT PLATE ASM.				1
27	13155304	FRAME HOLDING PLATE COUPLING				1
28	SM9082513CF	SCREW M8 L=25				4
29	NM6080600SM	NUT M8				4
30	WP0850002SC	WASHER 8.5X18X1.6				4
31	SK3513200SC	WOOD SCREW D=5.1 L=32				4
32	11155108	DRAWER				1
33	11155207	DRAWER SUPPORT				2
34	D8204555D00	DRAWER STOPPER				1
35	SK3311500SC	WOOD SCREW D=3.1 L=15				6
36	WS1002560KR	SPRING WASHER 10X18X2.5				4
37	SS6090630TP	SCREW 9/64-40 L=6				5
38	SS5110710SP	SCREW 11/64-40 L=7	EXCEPT JE			2
39	WP1002036SE	WASHER 10X21X2				12
40	NS6240630SE	NUT 3/8-18				12

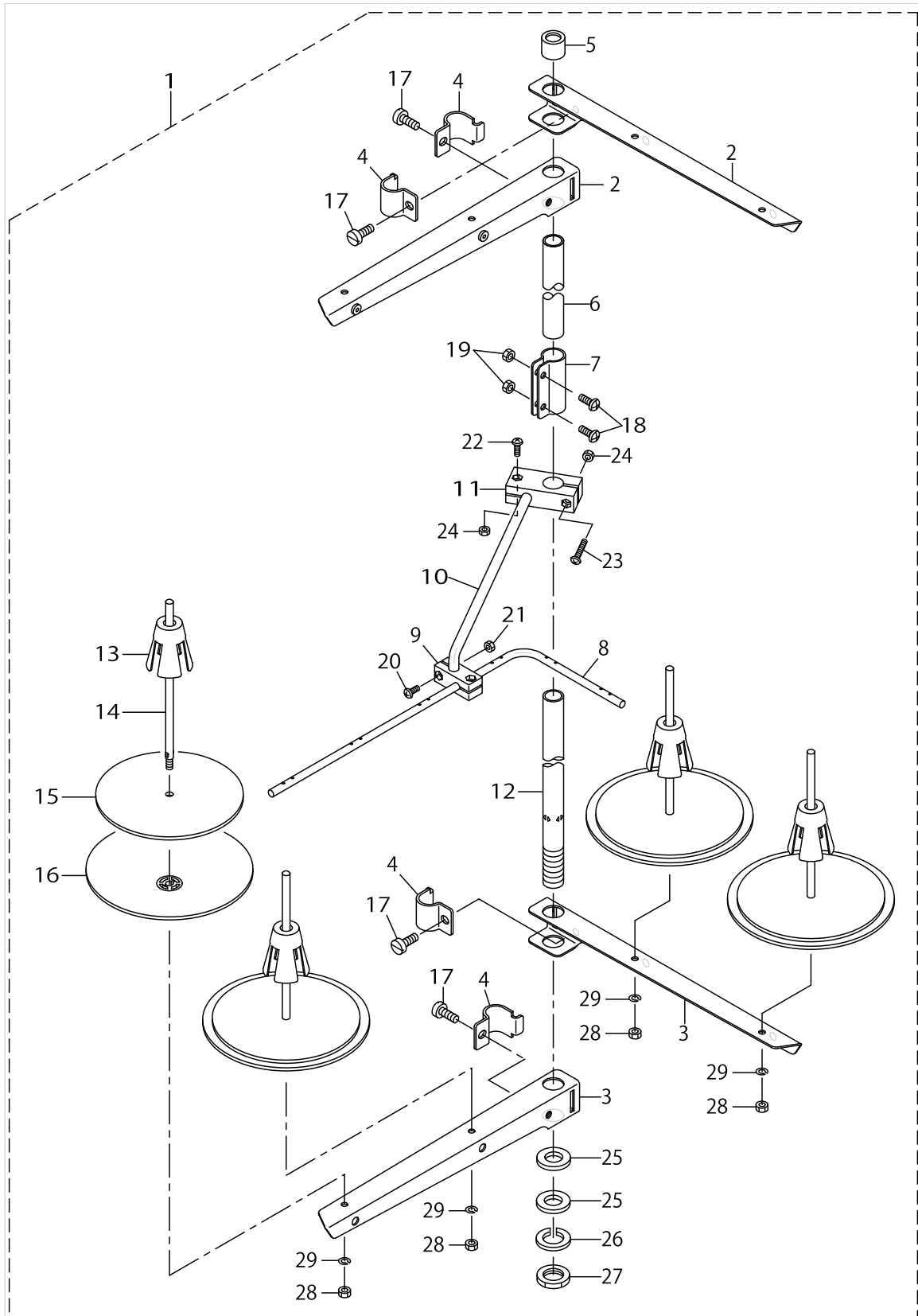
STAND COMPONENTS (Z-T)



STAND COMPONENTS (Z-T)

No.	Parts No.	Parts name	Remarks	Level	Cons	Qty
1	11960655	T STAND JUNCTION				1
2	11157567	T LEG JUNCTION		*		1
3	GPF06060000	PEDAL		*		1
4	GPF06070000	PEDAL MAT		*		1
5	GPF06080000	PEDAL ADJUSTING PLATE		*		1
6	11159001	PEDAL SHAFT BRACKET		*		2
7	D8113555B00	PEDAL BUSHING		*		2
8	B8153771000	PEDAL CONNECTING ROD		*		1
9	NM6080001SE	NUT M8		*		2
10	SL9082091SE	WASHER HEXAGONAL BOLT		*		2
11	WP0871602SE	WASHER 8.7X18X1.6		*		2
12	SL9061291SE	WASHER HEXAGONAL BOLT M6 L=12		*		2
13	11960754	T STAND JUNCTION(WITH CASTER)				1
14	11159365	T STAND JUNCTION		*		1
15	GPF06060000	PEDAL		*		1
16	GPF06070000	PEDAL MAT		*		1
17	GPF06080000	PEDAL ADJUSTING PLATE		*		1
18	11159001	PEDAL SHAFT BRACKET		*		2
19	D8113555B00	PEDAL BUSHING		*		2
20	B8153771000	PEDAL CONNECTING ROD		*		1
21	NM6080001SE	NUT M8		*		2
22	SL9082091SE	WASHER HEXAGONAL BOLT		*		2
23	WP0871602SE	WASHER 8.7X18X1.6		*		2
24	SL9061291SE	WASHER HEXAGONAL BOLT M6 L=12		*		2
25	B71140120A0	MOTOR CONNECTING ROD ASM.				1
26	11151065	Z LEG JUNCTION (B)				1
27	B81517710A0	PEDAL ASM.				1
28	SM9082023SE	SCREW M8 L=20		*		2
29	WS0861410KR	SPRING WASHER 8.6X15X1.4		*		2
30	WP0871602SE	WASHER 8.7X18X1.6		*		4
31	11151909	PEDAL SHAFT BRACKET		*		2
32	NM6080721SE	NUT M8		*		2
33	D8113555B00	PEDAL BUSHING		*		2
34	SM9061203SE	SCREW M6 L=12		*		2
35	WS0621210KR	SPRING WASHER 6.2X11.4X1.2		*		2
36	WP0671016SE	WASHER 6.7X13X1		*		2
37	11246600	PEDAL ADJUSTING PLATE		*		1
38	11246501	PEDAL		*		1
39	B8152771000	PEDAL MAT		*		1
40	B8153771000	PEDAL CONNECTING ROD		*		1

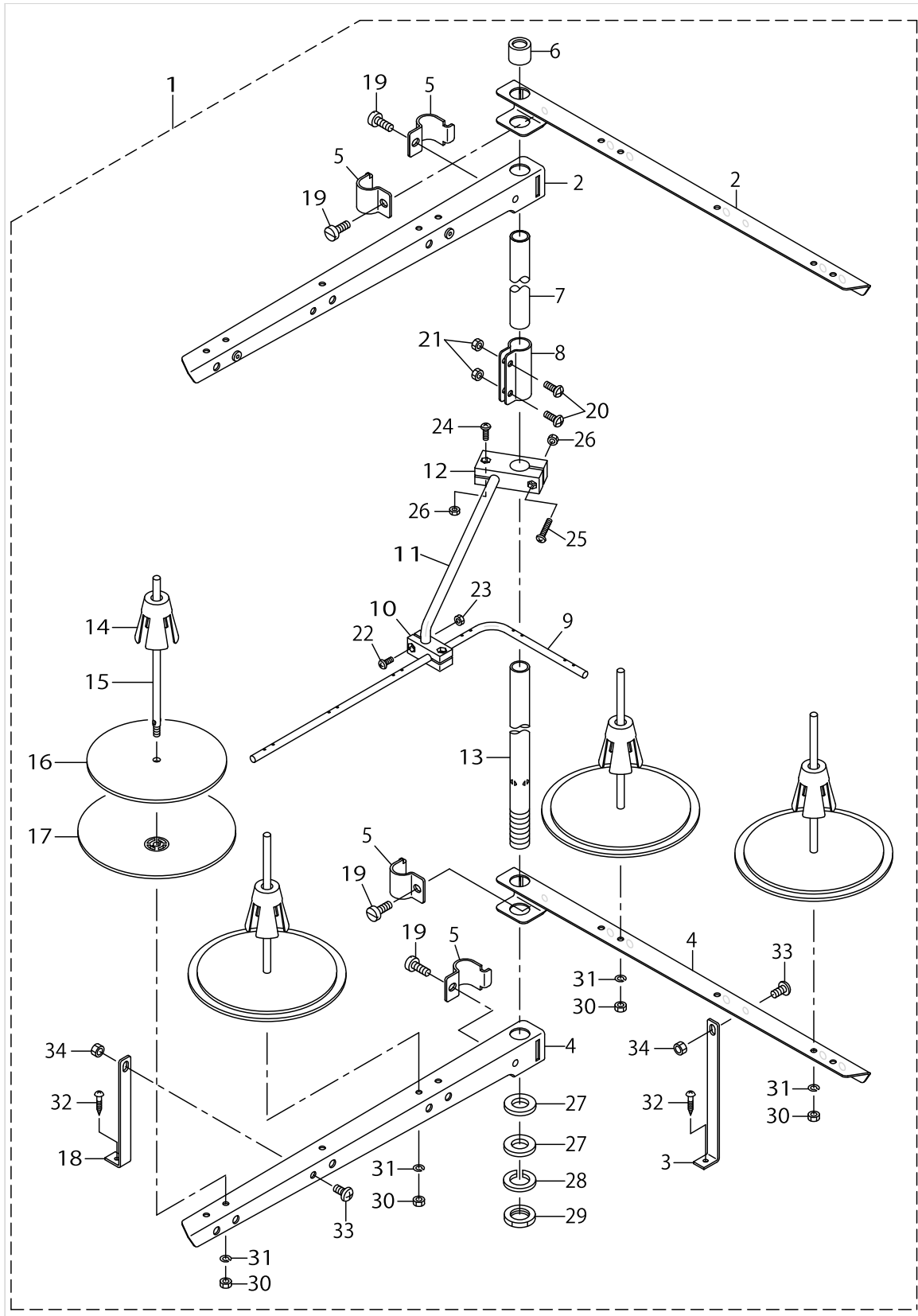
THREAD STAND COMPONENTS (FOR MO-6704D,MO-6714D)



THREAD STAND COMPONENTS (FOR MO-6704D,MO-6714D)

No.	Parts No.	Parts name	Remarks	Level	Cons	Qty
1	13167556	THREAD STANDING DEVICE ASM.				1
2	22930556	SPOOL REST ARM ASM.		*		2
3	22930507	SPOOL REST ARM		*		2
4	22930705	THREAD GUIDE ARM JOINT		*		4
5	22931406	THREAD STANDING ROD RUBBER CAP		*		1
6	22930408	THREAD STANDING ROD, UPPER		*		1
7	22931307	THREAD STANDING ROD JOINT		*		1
8	13167903	THREAD STANDING THREAD GUIDE		*		1
9	13168000	THREAD STANDING GUIDE BASE		*		1
10	13168109	THREAD STANDING GUIDE ARM		*		1
11	13168208	THREAD STANDING GUIDE ARM BASE		*		1
12	22930309	THREAD STANDING ROD, LOWER		*		1
13	22931109	SPOOL RETAINER		*		4
14	22931000	SPOOL PIN		*		4
15	22930903	SPOOL REST CUSHION		*		4
16	22930804	SPOOL REST		*		4
17	SM6061610SC	SCREW M6 L=16		*		4
18	SM4051405SE	SCREW M5 L=14		*		2
19	NM6050001SE	NUT M5		*		2
20	SM4041001SC	SCREW M4X0.7 L=10		*		2
21	NM6040002SE	NUT M4X0.7		*		2
22	SM4041201SC	SCREW M4 L=12		*		1
23	SM4042001SC	SCREW M4 X 20		*		1
24	NM6040002SE	NUT M4X0.7		*		2
25	WP1612616SE	WASHER 16X30X2.6		*		2
26	WS1643202KR	SPRING WASHER		*		1
27	NM6160511SE	NUT M16X1.5		*		1
28	NM6050001SE	NUT M5		*		4
29	WS0510002KN	SPRING WASHER		*		4

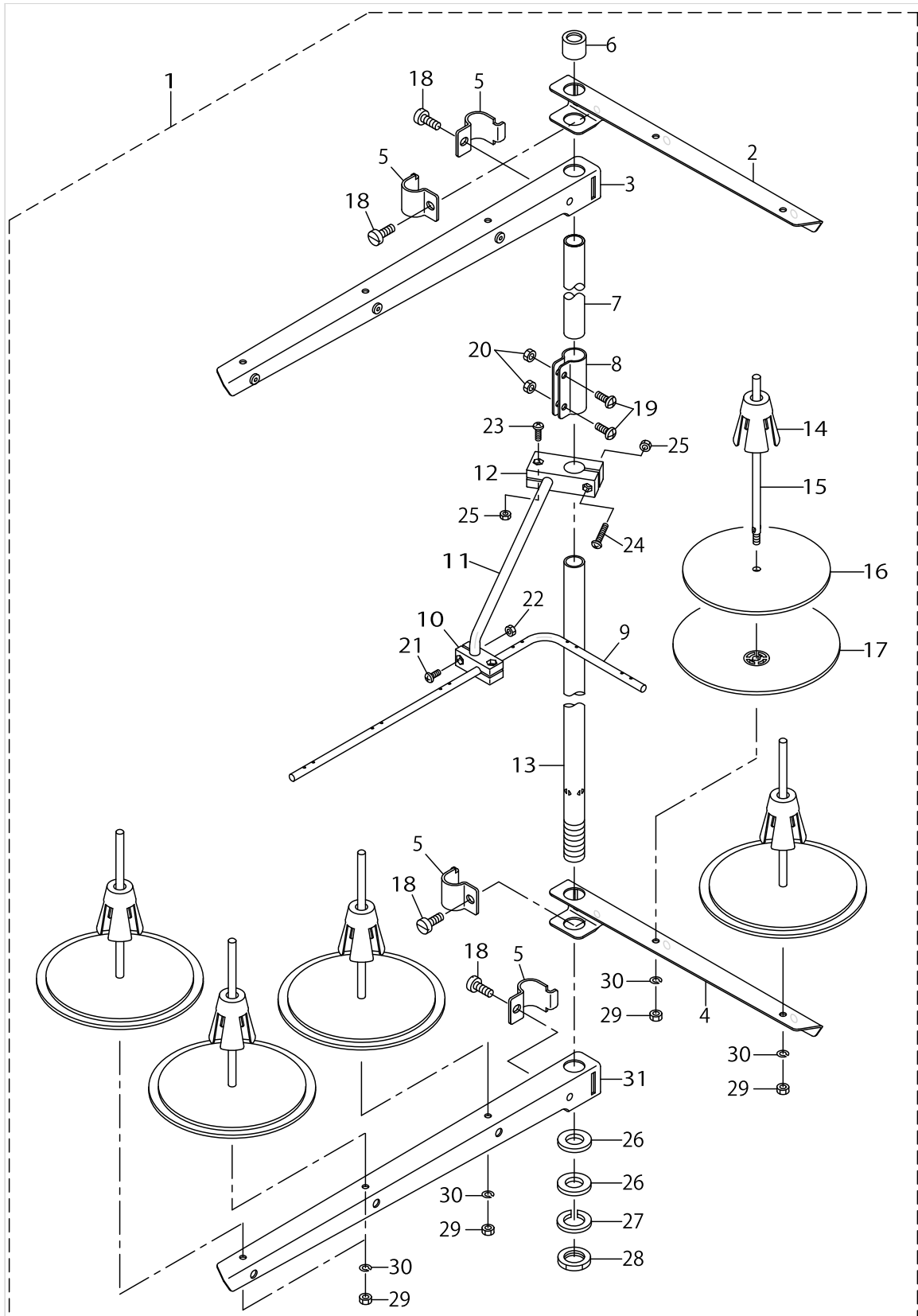
THREAD STAND COMPONENTS (MO-6704D,MO-6714D SPECIAL ORDER PARTS)



THREAD STAND COMPONENTS (MO-6704D,MO-6714D SPECIAL ORDER PARTS)

No.	Parts No.	Parts name	Remarks	Level	Cons	Qty
1	13167754	THREAD STANDING DEVICE ASM.				1
2	13168851	THREAD STANDING ARM ASM. ,LONG		*		2
3	13168505	THREAD GUIDE ARM B		*		1
4	13168802	THREAD STANDING ARM ,LONG		*		2
5	22930705	THREAD GUIDE ARM JOINT		*		4
6	22931406	THREAD STANDING ROD RUBBER CAP		*		1
7	22930408	THREAD STANDING ROD, UPPER		*		1
8	22931307	THREAD STANDING ROD JOINT		*		1
9	13167903	THREAD GUIDE		*		1
10	13168000	THREAD GUIDE BASE ,LOWER		*		1
11	13168109	THREAD GUIDE ARM		*		1
12	13168208	THREAD GUIDE ARM BASE		*		1
13	22930309	THREAD STANDING ROD, LOWER		*		1
14	22931109	SPOOL RETAINER		*		4
15	22931000	SPOOL PIN		*		4
16	22930903	SPOOL REST CUSHION		*		4
17	22930804	SPOOL REST		*		4
18	13168406	THREAD STANDING ARM SUPPORT, A		*		1
19	SM6061610SC	SCREW M6 L=16		*		4
20	SM4051405SE	SCREW M5 L=14		*		2
21	NM6050001SE	NUT M5		*		2
22	SM4041001SC	SCREW M4X0.7 L=10		*		2
23	NM6040002SE	NUT M4X0.7		*		2
24	SM4041201SC	SCREW M4 L=12		*		1
25	SM4042001SC	SCREW M4 X 20		*		1
26	NM6040002SE	NUT M4X0.7		*		2
27	WP1612616SE	WASHER 16X30X2.6		*		2
28	WS1643202KR	SPRING WASHER		*		1
29	NM6160511SE	NUT M16X1.5		*		1
30	NM6050001SE	NUT M5		*		4
31	WS0510002KN	SPRING WASHER		*		4
32	SK3382001SE	SCREW D=3.8 L=20		*		2
33	SM4061201SE	SCREW M6 L=12		*		2
34	NM6060001SE	NUT M6		*		2

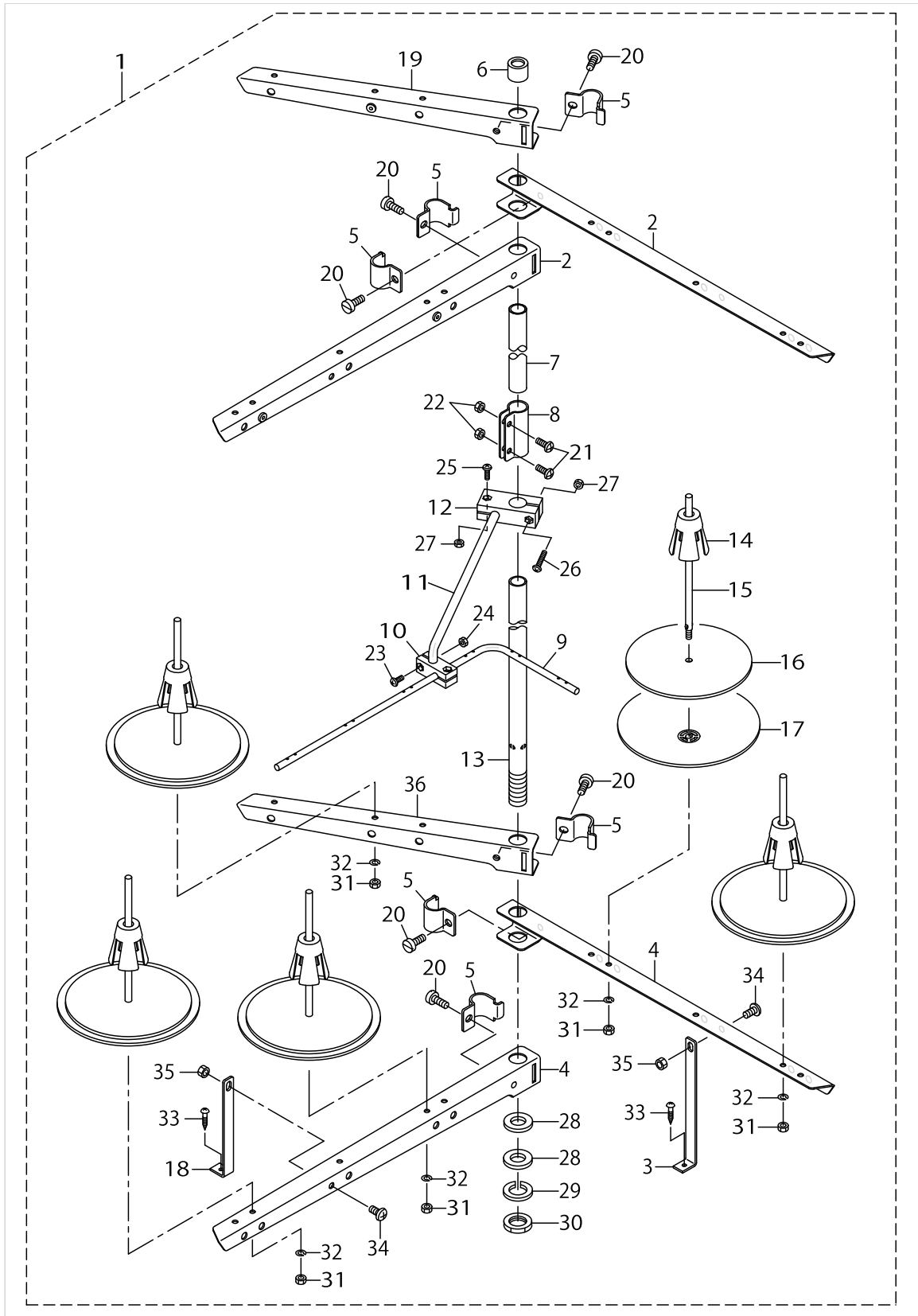
THREAD STAND COMPONENTS (FOR MO-6716D)



THREAD STAND COMPONENTS (FOR MO-6716D)

No.	Parts No.	Parts name	Remarks	Level	Cons	Qty
1	13167655	THREAD STANDING DEVICE ASM.				1
2	22930556	THREAD STANDING ARM ASM.		*		1
3	13168356	THREAD STANDING ARM ASM. ,LONG		*		1
4	22930507	THREAD STANDING ARM		*		1
5	22930705	THREAD GUIDE ARM JOINT		*		4
6	22931406	THREAD STANDING ROD RUBBER CAP		*		1
7	22930408	THREAD STANDING ROD, UPPER		*		1
8	22931307	THREAD STANDING ROD JOINT		*		1
9	13167903	THREAD GUIDE		*		1
10	13168000	THREAD GUIDE BASE, LOWER		*		1
11	13168109	THREAD GUIDE ARM		*		1
12	13168208	THREAD GUIDE ARM BASE		*		1
13	22930309	THREAD STANDING ROD, LOWER		*		1
14	22931109	SPOOL RETAINER		*		5
15	22931000	SPOOL PIN		*		5
16	22930903	SPOOL REST CUSHION		*		5
17	22930804	SPOOL REST		*		5
18	SM6061610SC	SCREW M6 L=16		*		4
19	SM4051405SE	SCREW M5 L=14		*		2
20	NM6050001SE	NUT M5		*		2
21	SM4041001SC	SCREW M4X0.7 L=10		*		2
22	NM6040002SE	NUT M4X0.7		*		2
23	SM4041201SC	SCREW M4 L=12		*		1
24	SM4042001SC	SCREW M4 X 20		*		1
25	NM6040002SE	NUT M4X0.7		*		2
26	WP1612616SE	WASHER 16X30X2.6		*		2
27	WS1643202KR	SPRING WASHER		*		1
28	NM6160511SE	NUT M16X1.5		*		1
29	NM6050001SE	NUT M5		*		5
30	WS0510002KN	SPRING WASHER		*		5
31	13168307	THREAD STANDING ARM ,LONG		*		1

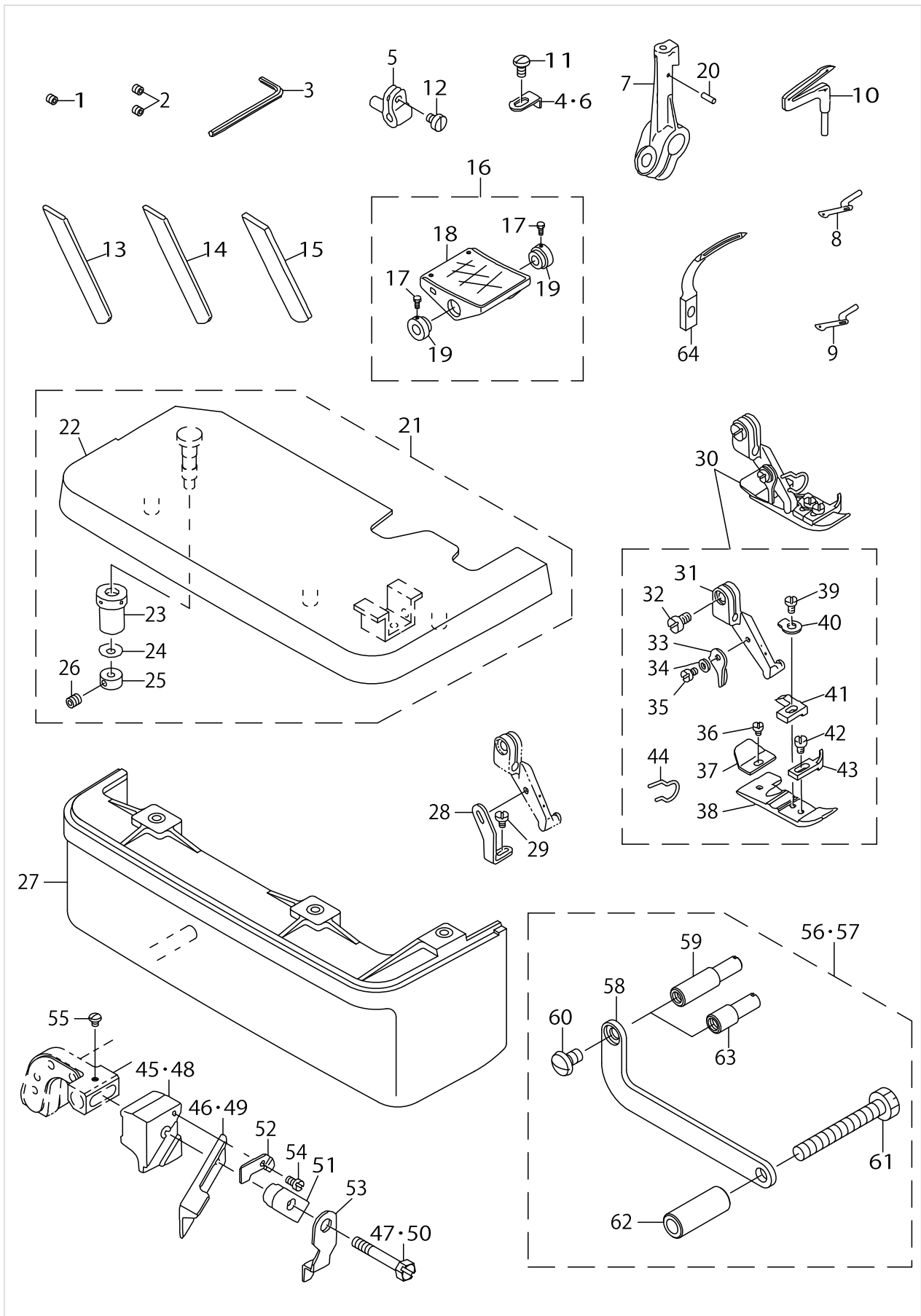
THREAD STAND COMPONENTS (MO-6716D SPECIAL ORDER PARTS)



THREAD STAND COMPONENTS (MO-6716D SPECIAL ORDER PARTS)

No.	Parts No.	Parts name	Remarks	Level	Cons	Qty
1	13167853	THREAD STANDING DEVICE ASM.				1
2	13168851	THREAD STANDING ARM ASM. ,LONG		*		2
3	13168505	THREAD STANDING ARM SUPPORT B		*		1
4	13168802	THREAD STANDING ARM ,LONG		*		2
5	22930705	THREAD GUIDE ARM JOINT		*		6
6	22931406	THREAD STANDING ROD RUBBER CAP		*		1
7	22930408	THREAD STANDING ROD, UPPER		*		1
8	22931307	THREAD STANDING ROD JOINT		*		1
9	13167903	THREAD STANDING THREAD GUIDE		*		1
10	13168000	THREAD GUIDE BASE, LOWER		*		1
11	13168109	THREAD GUIDE ARM BASE		*		1
12	13168208	THREAD GUIDE ARM BASE		*		1
13	22930309	THREAD STANDING ROD, LOWER		*		1
14	22931109	SPOOL RETAINER		*		5
15	22931000	SPOOL PIN		*		5
16	22930903	SPOOL REST CUSHION		*		5
17	22930804	SPOOL REST		*		5
18	13168406	THREAD STANDING ARM SUPPORT A		*		1
19	13168950	THREAD STANDING ARM A ASM.		*		1
20	SM6061610SC	SCREW M6 L=16		*		6
21	SM4051405SE	SCREW M5 L=14		*		2
22	NM6050001SE	NUT M5		*		2
23	SM4041001SC	SCREW M4X0.7 L=10		*		2
24	NM6040002SE	NUT M4X0.7		*		2
25	SM4041201SC	SCREW M4 L=12		*		1
26	SM4042001SC	SCREW M4 X 20		*		1
27	NM6040002SE	NUT M4X0.7		*		2
28	WP1612616SE	WASHER 16X30X2.6		*		2
29	WS1643202KR	SPRING WASHER		*		1
30	NM6160511SE	NUT M16X1.5		*		1
31	NM6050001SE	NUT M5		*		5
32	WS0510002KN	SPRING WASHER		*		5
33	SK3382001SE	SCREW D=3.8 L=20		*		2
34	SM4061201SE	SCREW M6 L=12		*		2
35	NM6060001SE	NUT M6		*		2
36	13168901	THREAD STANDING ARM A		*		1

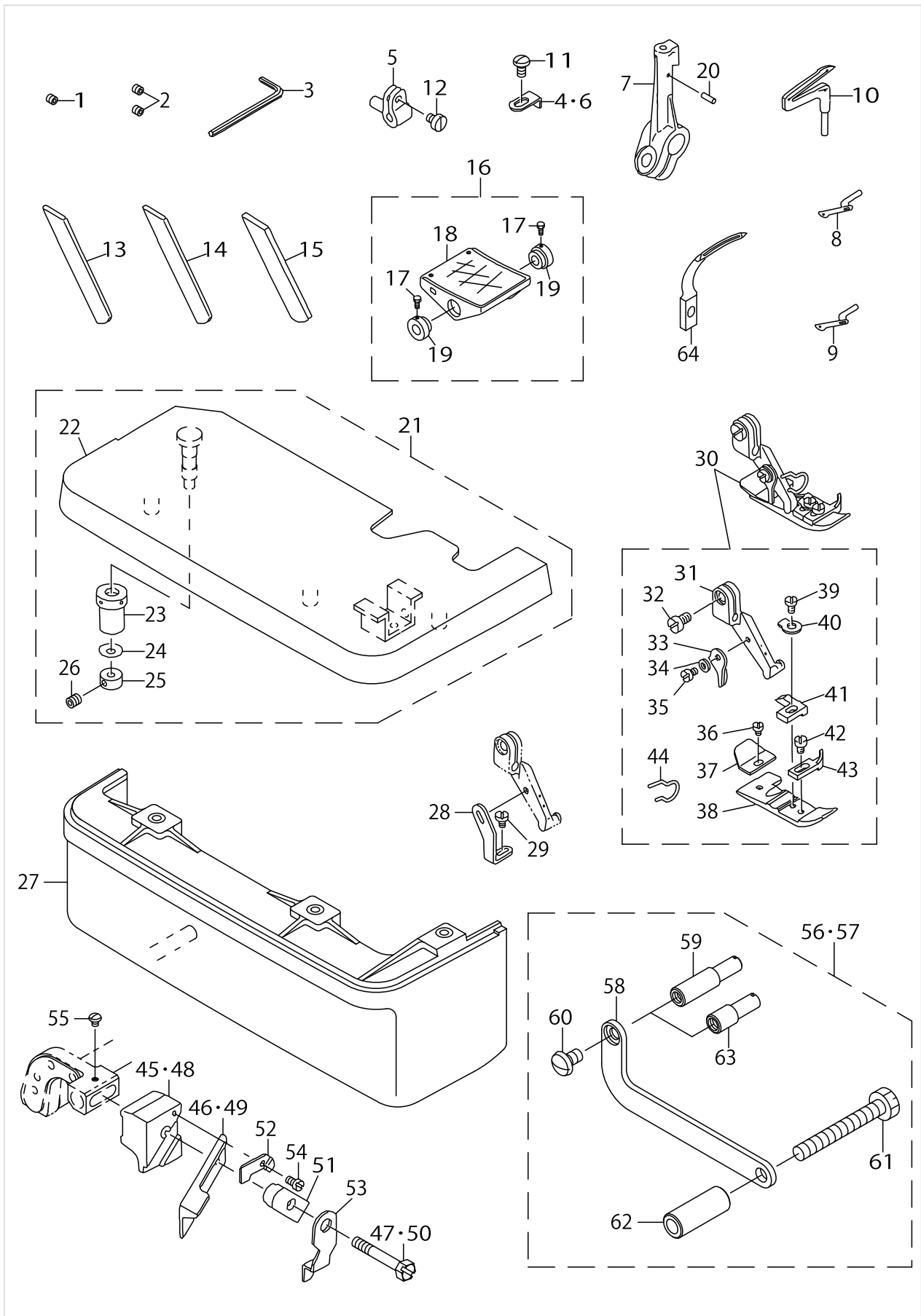
SPECIAL ORDER PARTS COMPONENTS



SPECIAL ORDER PARTS COMPONENTS

No.	Parts No.	Parts name	Remarks	Level	Cons	Qty
1	SS8080322TP	SCREW 1/8-44 L=3.2	FOR MO-6704D			1
2	SS8080322TP	SCREW 1/8-44 L=3.2	FOR MO-6714D,MO-6716D			2
3	B9112804000	SPANNER				1
4	40030533	PRESSER FOOT AUXILIARY PLATE	FOR MO-6714D			1
5	11544707	UPPER LOOPER SUPPORT ARM				1
6	11898103	PRESSER FOOT AUXILIARY PLATE	FOR MO-6704D			1
7	12123709	LOWER LOOPER SUPPORT ARM				1
8	B2519804000	UPPER LOOPER	FOR MO-6704D,MO-6716D			1
9	B2519814000	UPPER LOOPER	FOR MO-6714D			1
10	B2521804000	LOWER LOOPER				1
11	SS4080620TP	SCREW 1/8-44 L=6	FOR MO-6704D,MO-6714D			1
12	SS6080410SP	SCREW 1/8-44 L=4				1
13	11847605	LOWER KNIFE				1
14	11964509	CERAMIC LOWER KNIFE				1
15	11992005	LOWER KNIFE				1
16	11965753	PEDAL ASM.				1
17	SM9061203SE	SCREW M6 L=12		*		2
18	11965704	PEDAL		*		1
19	11965803	PEDAL THRUST COLLAR		*		2
20	PS0200062KH	SPRING PIN 2X6				1
21	12105458	CLOTH PLATE COMPL.	FOR MO-6716D			1
22	12104550	CLOTH PLATE ASM.		*		1
23	11501301	ECCENTRIC BUSHING		*		1
24	WZ0420350KP	DISC SPRING		*		1
25	CS0400671SD	THRUST HOLDER		*		1
26	SM8040302TP	SETSCREW		*		1
27	11949104	CLOTH BASE COVER	FOR MO-6716D			1
28	B1539804000	PRESSER FOOT FIXING PLATE	FOR MO-6704D,MO-6714D			1
29	SS6060410TP	SCREW 3/32-56 L= 3.5	FOR MO-6704D,MO-6714D			1
30	12152468	PRESSER FOOT..(FINGER GUARD).	FOR MO-6714D			1
31	11872009	PRESSER FOOT HINGE		*		1
32	SS6090670TP	SCREW 9/64-40 L=6		*		1
33	B1530804000	STOPPER		*		1
34	WP0250516SD	WASHER 2.5X6X0.5		*		1
35	SS7060610SP	SCREW 3/32-56 L= 5.5		*		1
36	SS6060210SP	SCREW 3/32-56 L= 1.9		*		1
37	B1511814000	REAR PRESSER FOOT		*		1
38	B150781400P	PRESSER FOOT		*		1
39	SS7080520SP	SCREW 1/8-44 L=4.9		*		1
40	B150880400B	SPRING		*		1
41	12160008	STITCH TONGUE		*		1
42	SS6060440TP	SCREW 3/32-56 L=3.5		*		1
43	B1510814000	CURL GUARD		*		1
44	13178306	FINGER GUARD		*		1
45	11598000	UPPER KNIFE SUPPORT	FOR MO-6704D,MO-6714D			1
46	11845807	UPPER KNIFE	FOR MO-6704D,MO-6714D			1
47	SS9111610SP	SCREW 11/64-40 L=16	FOR MO-6704D,MO-6714D			1

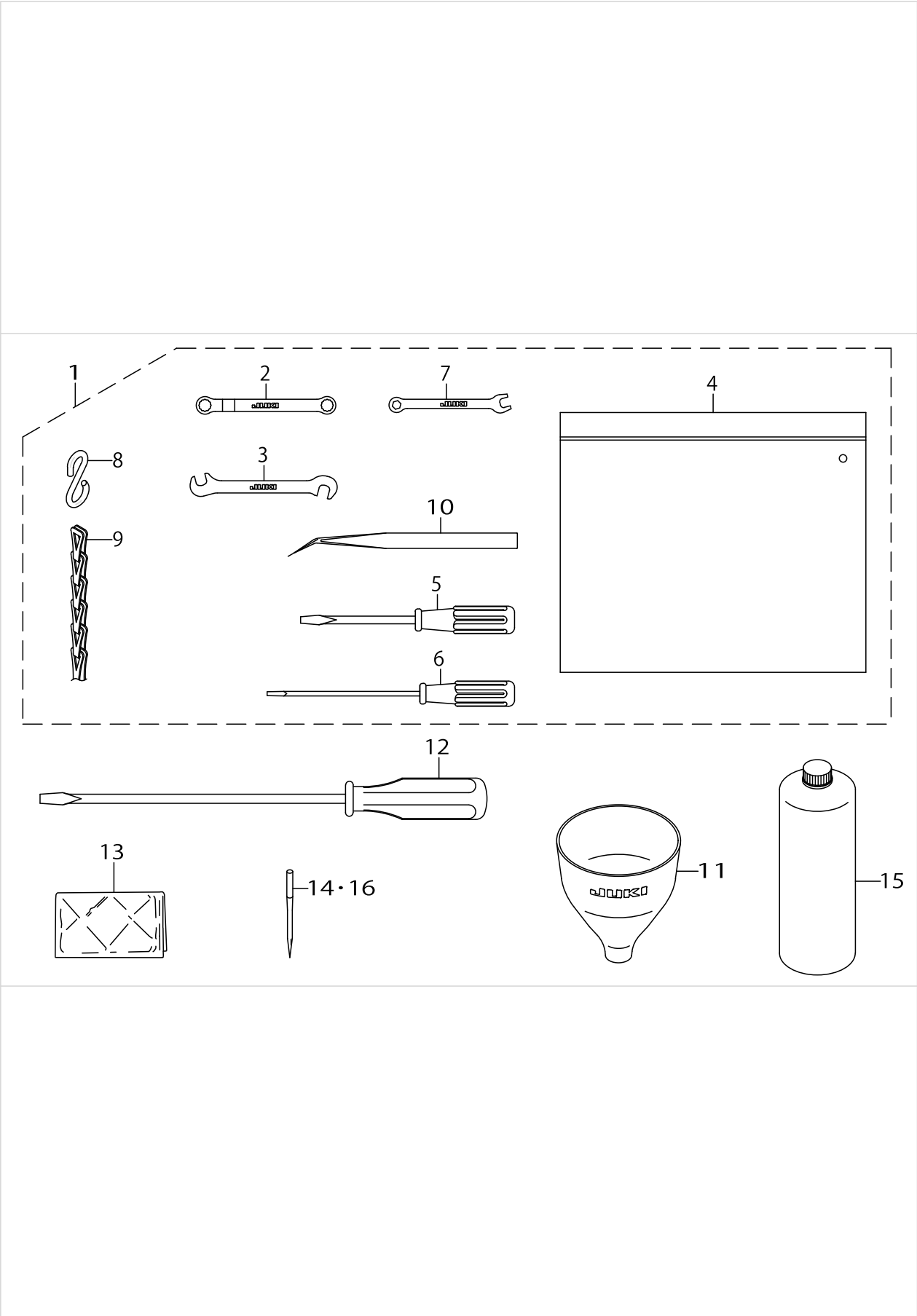
SPECIAL ORDER PARTS COMPONENTS



SPECIAL ORDER PARTS COMPONENTS

No.	Parts No.	Parts name	Remarks	Level	Cons	Qty
48	11845500	UPPER KNIFE SUPPORT	FOR MO-6716D			1
49	11845906	UPPER KNIFE	FOR MO-6716D			1
50	SS9112310SP	SCREW 11/64-40 L=23	FOR MO-6716D			1
51	11565504	UPPER KNIFE PRESSER PLATE	FOR MO-6716D			1
52	11565702	WASHER				1
53	11848405	UPPER KNIFE COVER				1
54	SS4060310SP	SCREW 3/32-56 L=2.5				1
55	SS4060310SP	SCREW 3/32-56 L=2.5				1
56	40025294	SYNCHRONIZER STOPPER ASM.				1
57	40011755	SYNCHRONIZER TURN STOPPER ASM.	FOR SC-380			1
58	40011757	SYNCHRONIZER STOPPER BASE		*		1
59	40022255	SYNCHRONIZER STOPPER		*		1
60	SS5120810SP	SCREW		*		1
61	SS9154540SP	SCREW 15/64-28 L=45		*		1
62	40011758	SYNCHRONIZER BASE COLLAR		*		1
63	40011756	SYNCHRONIZER STOPPER	FOR SC-380	*		1
64	12120713	CHAIN LOOPER	FOR MO-6716D			1

ACCESSORIES PARTS COMPONENTS



ACCESSORIES PARTS COMPONENTS

No.	Parts No.	Parts name	Remarks	Level	Cons	Qty
1	13160858	ACCESSORIE BAG ASM.				1
2	13160007	RING SPANNER		*		1
3	13160205	PIN SPANNER		*		1
4	22932800	ACCESSORIE BAG		*		1
5	22933105	SCREW DRIVER,MIDDLE		*		1
6	12347308	SCREW DRIVER (SMALL)		*		1
7	13160106	SPANNER (5X6)		*		1
8	13160304	S SHAPED HOOK		*		2
9	13160403	CHAIN		*		1
10	12288403	TWEEZERS		*		1
11	13160601	FUNNEL				1
12	22933006	SCREW DRIVER,LARGE				1
13	40048535	HEAD_COVER				1
14	MDC270B1104	NEEDLE DCX27 #11-4EA.				1
15	MML018900CA	JUKI MACHINE OIL 18				1
16	MDC270B0904	NEEDLE DCX27 #9-4EA.	FOR MO-6714D (FOR SH)			1

LIST FOR INFORMATION OF CHANGE (1)

As to the place changed, refer to the corresponding Rev.No.
 When previous parts(Obsoleted part)and new parts(Added parts)are
 not interchangeable with each other:
 In this case,even obsoleted parts(D.)can be ordered with the
 obsoleted part number,so select the parts with changed dates and
 place your orders.

変更箇所は、該当Rev.No.版をご参照ください。
 部品の互換性がない変更の場合は、削除された品番でも、ご注文できます。

40034917
 No.1435-02 Rev.No.

*A:Added parts追加部品/D:Obsoleted parts削除部品/E:Erratum訂正

* Rev. No.	Page 頁	Ref. No.	Parts No. 品番	* Rev. No.	Page 頁	Ref. No.	Parts No. 品番
D 01	2	28	121-03305	A 02	2	28	131-01704
D 01	4	5	132-00506	A 02	4	5	400-37299
				A 02	4	44	400-37392
				A 02	4	45	400-40065
				A 02	4	46	CM-6001001-01
D 01	8	9	400-32546	A 02	8	9	400-04559
D 01	8	10	400-32548	A 02	8	10	400-04561
D 01	8	11	400-32550	A 02	8	11	400-04563
D 01	8	12	400-32559	A 02	8	12	400-04565
D 01	8	13	400-32561	A 02	8	13	400-04567
D 01	8	14	400-32563	A 02	8	14	400-04569
D 01	8	17	122-56905	A 02	8	17	131-75203
D 01	12	65	119-49807	A 02	12	65	131-92000
D 01	14	10	400-32574	A 02	14	10	400-39400
D 01	14	11	400-32578	A 02	14	11	400-39401
D 01	14	24	121-23659	A 02	14	24	131-33053
D 01	14	37	400-32567	A 02	14	37	400-04716
D 01	14	38	400-32569	A 02	14	38	400-04718
D 01	14	39	400-32571	A 02	14	39	400-04720
D 01	14	40	400-32573	A 02	14	40	400-04722
D 01	16	30	SS-8110520-TP	A 02	16	30	SM-8050412-TP
D 01	16	31	132-12600	A 02	16	31	400-34897
D 01	22	9	123-47167	A 02	22	9	132-32657
D 01	22	10	123-47266	A 02	22	10	132-32756
D 01	22	11	121-33211	A 02	22	11	131-49307
D 01	22	12	118-06304	A 02	22	12	131-02702
D 01	22	14	118-46607	A 02	22	14	131-48101
D 01	22	15	121-32619	A 02	22	15	131-49406
D 01	22	16	121-02208	A 02	22	16	131-48309
D 01	22	18	121-03701	A 02	22	18	131-49109
D 01	22	20	121-32700	A 02	22	20	131-49505
D 01	22	22	121-33104	A 02	22	22	131-49208
D 01	22	23	121-02810	A 02	22	23	131-48408
D 01	22	24	121-32908	A 02	22	24	131-49703
D 01	22	26	121-32809	A 02	22	26	131-49604
D 01	22	27	121-33005	A 02	22	27	131-49802

HOW TO MAKE USE OF THIS PARTS LIST

1.Explanation of codes

1)"*"mark.....means this part is changed from the previous parts book.

As to the details of the change, refer to the "List for information of change".

2)"#01".....refer to "Note" explanation at bottom of page.

2.Codes on the "Qty" column

• Each numeral indicates the number of parts required.

• "0.1" and "2.5" indicate the length (in meters) of the respective parts.

3.Parentheses mean that the corresponding part is a subpart that constructs an assembly part.

4.Dotted lines on the Figures indicate assembly parts.

1."注記"欄の記号説明

1) "*"印.....前回のパーツブックに比較して今回変更された部品を意味します。

変更内容は、"変更情報リスト"を参照してください。

2) "#01".....ページ下の"注記"の説明を参照してください。

2.数量欄の数字は、個数を表し、0.1、2.5等の数値は、長さ（単位メートル）を表します。

3.数量欄の（ ）は、組部品を構成している子部品であることを意味します。

4.イラストページの-----枠は、組構成であることを意味します。

NUMERICAL INDEX OF PARTS

PART NO	PAGE	REF NO.	PART NO	PAGE	REF NO.	PART NO	PAGE	REF NO.
10753309	6	39	12015400	38	40	12340808	24	50
11151065	52	26	12104550	62	22	12341806	48	16
11151909	52	31	12105458	62	21	12341806	50	25
11155108	48	19	12109153	8	28	12341905	48	5
11155108	50	32	12116604	16	18~22	12341954	48	4
11155207	48	20	12116703	16	18~22	12342101	2	11
11155207	50	33	12116802	16	18~22	12347308	66	6
11157567	52	2	12116901	16	18~22	13100805	2	16
11159001	52	18	12117008	16	18~22	13100904	2	15
11159365	52	14	12118204	18	10	13101001	2	21
11246501	52	38	12118303	18	9	13101209	2	18
11246600	52	37	12120150	8	38	13101308	2	30
11501301	62	23	12120705	26	11	13101407	2	19
11517307	12	43	12120713	64	64	13101506	2	25
11544707	62	5	12121612	26	34	13101605	2	26
11565504	64	51	12122362	8	30	13101704	2	28
11565702	64	52	12123360	8	34	13101803	2	32
11566809	40	12	12123709	62	7	13101902	2	36
11598000	62	45·48	12129318	44	10	13102058	2	35
11845500	64	45·48	12129805	44	20	13102207	2	45
11845807	62	46·49	12129904	44	18	13102405	2	3
11845906	64	46·49	12132155	8	43	13102504	6	20
11847605	62	13	12152468	62	30	13102553	6	19
11848405	64	53	12153763	32	34	13102603	6	23
11872009	32	20	12156907	32	35	13102702	38	46
11872009	62	31	12160008	62	41	13102900	6	38
11876166	32	4	12162202	32	41	13103650	2	34
11876869	32	19	12164802	32	37	13103809	2	13
11890001	24	66	12167409	32	40	13103908	6	24
11890100	38	37	12167508	32	43	13104005	4	51
11890308	38	38	12167607	32	42	13104104	2	1
11898103	62	4·6	12167706	32	46	13104203	2	2
11949104	62	27	12167805	32	38	13104302	2	44
11959400	48	21	12176103	24	64	13104500	6	10
11959558	50	15	12177903	38	41	13104807	6	29
11960655	52	1	12253829	32	1	13104906	8	20
11960754	52	13	12257002	12	45	13107602	8	4
11964509	62	14	12288403	66	10	13107701	8	10
11965704	62	18	12288700	28	33	13107800	8	6
11965753	62	16	12288908	38	7	13108006	8	23
11965803	62	19	12340303	22	31	13108105	8	24
11991908	24	63	12340402	22	33	13108204	8	25
11992005	62	15	12340501	24	48	13108303	8	27
11999307	24	65	12340600	22	25	13108402	8	8
12015301	38	39	12340709	22	27	13108501	8	9

NUMERICAL INDEX OF PARTS

PART NO	PAGE	REF NO.	PART NO	PAGE	REF NO.	PART NO	PAGE	REF NO.
13110101	12	5	13119904	16	33	13127204	26	23~26
13110200	12	22	13119953	16	32	13127303	26	23~26
13110259	12	21	13120001	16	41	13127402	26	23~26
13110507	12	2	13120605	16	2	13127501	26	23~26
13110556	12	1	13120803	18	33	13128103	26	16
13110705	12	24	13120902	18	29	13128202	34	31
13110804	12	25	13121009	18	31	13128301	34	32
13110903	12	26	13121058	18	30	13128400	34	33
13111000	12	27	13121108	20	52	13128509	34	34
13111109	12	31	13121207	18	43	13128608	34	35
13111208	12	34	13121256	18	42	13128707	34	36
13111307	12	35	13121306	18	40	13129101	34	40
13111406	12	36	13121405	18	26	13129259	34	37
13111505	12	38	13121603	20	49	13129309	22	21
13111604	12	39	13121900	18	45	13129309	26	7
13111703	12	40	13122007	14	49~52	13129457	34	38
13115001	28	1	13122007	16	35~38	13129853	26	1
13115100	28	2	13122007	40	13~16	13129903	26	6
13115209	28	4	13122106	14	49~52	13129952	26	5
13115258	28	3	13122106	16	35~38	13131008	22	13
13115407	28	8	13122106	40	13~16	13131057	22	12
13115654	28	32	13122205	14	49~52	13131107	22	8
13115753	28	9	13122205	16	35~38	13131156	22	7
13115803	28	10	13122205	40	13~16	13131800	22	46
13115902	28	11	13122304	14	49~52	13132006	22	47
13116009	28	12	13122304	16	35~38	13132501	22	20
13116108	28	13	13122304	40	13~16	13132550	22	19
13116207	28	18	13122403	16	5	13132907	22	35
13116306	28	20	13122452	16	4	13133053	22	24
13116405	28	22	13122502	16	13	13137559	34	2
13116504	28	23	13122700	18	18	13137609	34	12
13116603	28	24	13122809	18	24	13137708	34	8~10
13116702	32	2	13123302	18	39	13137807	34	5~7
13116801	28	7	13123302	28	44	13137906	34	13
13116900	28	21	13125901	26	13	13138003	34	16
13117007	28	19	13125950	26	12	13138102	34	14
13117106	28	34	13126008	26	4	13138201	34	27
13118054	16	1	13126354	26	9	13138359	34	3
13118708	16	16	13126503	26	19~22	13138409	34	8~10
13119300	16	14	13126602	26	19~22	13138508	34	5~7
13119409	16	23	13126701	26	19~22	13138656	34	4
13119508	16	24	13126800	26	19~22	13138706	34	8~10
13119607	16	25	13126909	26	3	13138805	34	5~7
13119706	16	39	13127006	26	17	13138904	34	11
13119805	16	42	13127105	26	18	13139555	34	20

NUMERICAL INDEX OF PARTS

PART NO	PAGE	REF NO.	PART NO	PAGE	REF NO.	PART NO	PAGE	REF NO.
13139605	34	22	13155502	48	10	13167903	54	8
13139704	34	25	13155502	50	22	13167903	56	9
13139803	34	24	13155601	48	8	13167903	58	9
13139902	34	23	13155601	50	20	13167903	60	9
13140009	34	21	13155700	48	9	13168000	54	9
13142609	44	38	13155700	50	21	13168000	56	10
13142955	44	33	13155759	48	7	13168000	58	10
13143300	44	29	13155759	50	19	13168000	60	10
13143607	46	57	13155858	50	5	13168109	54	10
13143805	44	27	13155908	50	8	13168109	56	11
13144001	44	30	13156005	50	9	13168109	58	11
13147301	40	9	13156104	50	10	13168109	60	11
13147400	40	7	13156203	50	6	13168208	54	11
13147509	40	2	13156302	50	7	13168208	56	12
13147558	40	1	13156500	48	14	13168208	58	12
13148101	38	14	13160007	66	2	13168208	60	12
13148309	38	16	13160106	66	7	13168307	58	31
13148408	38	23	13160205	66	3	13168356	58	3
13148556	38	31	13160304	66	8	13168406	56	18
13148804	38	32	13160403	66	9	13168406	60	18
13148903	38	29	13160601	66	11	13168505	56	3
13149109	38	18	13160700	6	43	13168505	60	3
13149208	38	22	13160858	66	1	13168802	56	4
13149307	38	11	13160908	48	2	13168802	60	4
13149406	38	15	13160908	50	2	13168851	56	2
13149505	38	20-26	13161005	48	1	13168851	60	2
13149604	38	20-26	13161005	50	1	13168901	60	36
13149703	38	24	13161153	48	3	13168950	60	19
13149802	38	27	13161153	50	26	13170006	6	9
13149901	38	33	13162557	42	6	13170105	6	21
13150503	40	17	13162565	42	7	13170204	6	11
13150602	40	18	13162573	42	8	13170204	18	34
13150701	38	45	13162805	42	18	13170303	8	14
13150800	40	11	13162904	42	20	13170402	28	37
13150909	40	5	13163001	42	21	13170501	20	48
13151006	40	6	13163159	42	15	13170600	22	16
13151105	38	35	13163167	42	16	13170808	44	34
13151204	38	5	13163175	42	17	13171004	6	22
13151303	40	4	13163456	42	1	13172507	16	10
13155007	48	15	13163803	42	2	13172556	16	9
13155106	50	17	13163902	42	3	13172705	14	55
13155205	50	18	13167556	54	1	13172754	14	54
13155304	50	27	13167655	58	1	13172804	24	59
13155403	48	13	13167754	56	1	13172853	24	58
13155403	50	16	13167853	60	1	13172903	2	38

NUMERICAL INDEX OF PARTS

PART NO	PAGE	REF NO.	PART NO	PAGE	REF NO.	PART NO	PAGE	REF NO.
13175005	14	62	13215405	18	5	13244108	16	30
13175203	12	17	13215504	18	6	13343009	44	4
13178306	32	33	13215603	18	7	22901805	6	37
13178306	62	44	13215702	18	11	22921407	34	26
13178405	32	47	13215801	18	17	22924708	6	8
13191309	20	70	13215900	18	13	22930309	54	12
13191408	20	71	13216007	18	14	22930309	56	13
13191606	20	64	13216106	18	19	22930309	58	13
13192000	20	65	13216205	18	21	22930309	60	13
13192406	20	66	13216304	18	23	22930408	54	6
13192802	20	67	13216601	16	28	22930408	56	7
13193206	20	68	13216700	16	29	22930408	58	7
13193602	20	69	13216809	16	26	22930408	60	7
13200209	6	1	13217351	18	47	22930507	54	3
13200308	6	2	13217401	20	57	22930507	58	4
13200605	6	6	13217500	20	58	22930556	54	2
13200704	2	7	13217708	18	36	22930556	58	2
13200803	2	8	13217807	16	12·31	22930705	54	4
13200902	20	54	13217906	16	12·31	22930705	56	5
13201009	6	12	13218052	20	50	22930705	58	5
13201108	6	28	13218102	20	56	22930705	60	5
13201207	6	33	13220009	26	15	22930804	54	16
13201306	6	32	13221700	22	4~6	22930804	56	17
13201405	6	16	13221809	22	4~6	22930804	58	17
13201454	6	15	13221908	22	4~6	22930804	60	17
13201504	2	41	13222401	22	29	22930903	54	15
13201603	2	42	13222609	22	23	22930903	56	16
13204003	6	35	13222708	22	15	22930903	58	16
13204003	24	70	13225008	34	1	22930903	60	16
13205406	8	19	13225107	34	18·19	22931000	54	14
13207808	12	20	13227905	44	9	22931000	56	15
13208103	14	60	13228002	44	6	22931000	58	15
13208707	12	30	13228200	44	8	22931000	60	15
13208806	12	28	13228655	44	23	22931109	54	13
13208905	12	29	13228903	44	41	22931109	56	14
13209804	12	7	13229000	44	43	22931109	58	14
13209853	12	6	13229307	44	19	22931109	60	14
13212501	28	39	13229356	44	17	22931307	54	7
13212709	28	35	13230305	44	1	22931307	56	8
13212808	28	41	13232657	38	9·10	22931307	58	8
13212915	28	43	13232756	38	9·10	22931307	60	8
13213012	18	38	13235304	38	19	22931406	54	5
13213012	28	42	13240007	4	48~50	22931406	56	6
13215157	18	1	13240106	4	48~50	22931406	58	6
13215306	18	4	13240205	4	48~50	22931406	60	6

NUMERICAL INDEX OF PARTS

PART NO	PAGE	REF NO.	PART NO	PAGE	REF NO.	PART NO	PAGE	REF NO.
22932800	66	4	40025294	64	56·57	B2521804000	62	10
22933006	66	12	40030533	62	4·6	B2530704000	24	54
22933105	66	5	40032545	12	44	B3013141H0A	44	46
23630007	44	40	40032552	12	19	B71140120A0	52	25
31018005	44	42	40032558	12	16	B81517710A0	52	27
40004509	46	54	40032565	24	53	B8152771000	52	39
40004558	12	4	40032580	44	2	B8153771000	52	40
40004559	12	9~11	40032581	44	3	B9112804000	62	3
40004561	12	9~11	40032582	44	47	BP30000010R	44	44
40004563	12	9~11	40034897	28	31	CM300200001	2	40
40004565	12	12~14	40035711	10	48	CM3002000A1	6	17
40004567	12	12~14	40037299	6	5	CM3002001B1	6	36
40004569	12	12~14	40037392	6	44	CM600100101	6	46
40004572	12	15	40039400	22	10·11	CS0400671SD	62	25
40004574	14	58	40039401	22	10·11	CS1111019SH	40	22
40004580	12	42	40040065	6	45	CS111101HSH	40	21
40004580	22	44	40048535	66	13	D8113555B00	52	33
40004692	24	67~69	B1211804000	8	18	D8204555D00	48	22
40004693	24	67~69	B1212704000	8	17	D8204555D00	50	34
40004694	24	67~69	B1215804000	8	21·22	GPF06060000	52	15
40004696	22	2	B1507804C00	32	12	GPF06070000	52	16
40004713	24	52	B150781400P	32	27	GPF06080000	52	17
40004714	24	71	B150781400P	62	38	MDC270B0900	12	18·53
40004716	22	37~40	B150880400B	32	29	MDC270B0904	66	14·16
40004718	22	37~40	B150880400B	62	40	MDC270B1100	12	18·53
40004720	22	37~40	B1509804C00	32	15	MDC270B1100	14	18·53
40004722	22	37~40	B150981400P	32	30	MDC270B1104	66	14·16
40004746	46	52	B1510814000	32	32	MML018900CA	66	15
40004747	46	51	B1510814000	62	43	NM6040002SE	54	24
40004748	46	50	B1511814000	32	26	NM6040002SE	56	26
40004750	44	45	B1511814000	62	37	NM6040002SE	58	25
40004751	22	41	B1513816000	32	39	NM6040002SE	60	27
40004755	46	56	B1514816000	32	45	NM6050001SE	54	28
40010805	26	10	B1530804000	32	22	NM6050001SE	56	30
40011755	64	56·57	B1530804000	62	33	NM6050001SE	58	29
40011756	64	63	B1539804000	62	28	NM6050001SE	60	31
40011757	64	58	B1620804000	16	43	NM6060001SE	56	34
40011758	64	62	B2119816A00	26	27~31	NM6060001SE	60	35
40016762	44	12	B2119816B00	26	27~31	NM6060003SC	28	25
40016763	44	15	B2119816C00	26	27~31	NM6080001SE	52	21
40017714	8	47	B2119816D00	26	27~31	NM6080600SM	50	29
40017824	8	41	B2119816E00	26	27~31	NM6080721SE	52	32
40022255	64	59	B2202816000	34	39	NM6160511SE	54	27
40023234	8	2	B2519804000	62	8	NM6160511SE	56	29
40023235	8	1	B2519814000	62	9	NM6160511SE	58	28

NUMERICAL INDEX OF PARTS

PART NO	PAGE	REF NO.	PART NO	PAGE	REF NO.	PART NO	PAGE	REF NO.
NM6160511SE	60	30	SM4040855SP	6	14	SM6061610SC	54	17
NS6090310SN	2	5	SM4040855SP	8	26	SM6061610SC	56	19
NS6090310SP	48	12	SM4040855SP	12	41	SM6061610SC	58	18
NS6090310SP	50	24	SM4040855SP	18	35	SM6061610SC	60	20
NS6110310SP	44	32	SM4040855SP	42	5	SM6061802TP	44	21
NS6110420SP	2	46	SM4040855SP	46	48	SM8040302TP	2	39
NS6110420SP	28	26	SM4041001SC	54	20	SM8040302TP	62	26
NS6240630SE	48	23	SM4041001SC	56	22	SM8040402TP	28	38
NS6240630SE	50	40	SM4041001SC	58	21	SM8050412TP	28	30
NS6620320SP	16	40	SM4041001SC	60	23	SM8050412TP	44	5
NS6680410SP	6	27	SM4041055SP	2	17	SM9061203SE	52	34
PS0200052KH	34	28	SM4041055SP	20	60	SM9061203SE	62	17
PS0200062KH	62	20	SM4041055SP	46	49	SM9082023SE	52	28
PS0250062KH	26	32	SM4041201SC	54	22	SM9082513CF	50	28
PS0300062KH	22	18	SM4041201SC	56	24	SQ0000451MZ	44	25
PS0300142KH	28	16	SM4041201SC	58	23	SQ1110451MZ	44	36
R4200J6ED00	38	1	SM4041201SC	60	25	SQ1150441SD	44	39
R4305J6EE00	38	2	SM4041455SN	16	27	SQ1150451MZ	44	37
R4508J6ED00	38	3	SM4042001SC	54	23	SQ1150454SD	44	26
RE0300000K0	18	37	SM4042001SC	56	25	SS1060610SP	18	20
RE0300000K0	28	47	SM4042001SC	58	24	SS2090520SL	2	4
RE0500000K0	18	41	SM4042001SC	60	26	SS2110910SL	38	4
SB110000300	8	21-22	SM4050855SP	8	7	SS3090610SP	2	6
SD0280401SL	14	61	SM4050855SP	34	44	SS3090610SP	22	51
SD0600341TP	34	42	SM4050855SP	44	28	SS3090610SP	24	51
SD0640241SP	28	15	SM4051055SP	38	8	SS4060310SP	64	55
SD0720271SP	20	59	SM4051255SP	6	7	SS4080620TP	18	2
SD0720803TH	26	33	SM4051255SP	18	25	SS4080620TP	26	36
SK2351600SC	48	24	SM4051405SE	54	18	SS4080620TP	62	11
SK2351600SC	50	4	SM4051405SE	56	20	SS4090415SP	34	48
SK3311500SC	48	25	SM4051405SE	58	19	SS4090415SP	36	48
SK3311500SC	50	35	SM4051405SE	60	21	SS4090515SP	18	27
SK3382001SE	56	32	SM4051601SC	44	35	SS4090615SP	24	49
SK3382001SE	60	33	SM4060801SE	44	16	SS4091015SP	2	14
SK3412001SE	6	40	SM4061201SE	56	33	SS4091015SP	42	22
SK3513200SC	48	26	SM4061201SE	60	34	SS4110515SP	12	33
SK3513200SC	50	31	SM6040600SP	18	22	SS4110515SP	36	49
SL9061291SE	52	24	SM6051202TP	16	34	SS4110615SP	34	30
SL9082091SE	52	22	SM6051202TP	26	14	SS4110615SP	44	13
SM1040801SC	2	10	SM6061200SP	22	17	SS4120615SP	2	12
SM1040801SC	6	13	SM6061200SP	28	27	SS4120615SP	46	55
SM4030455SP	18	16	SM6061202TP	8	37	SS4151215SP	6	18
SM4040655SP	2	31	SM6061402TP	12	8	SS5080212TP	8	3
SM4040655SP	22	30	SM6061402TP	16	6	SS5090610SP	48	11
SM4040855SP	2	43	SM6061402TP	40	3	SS5090610SP	50	23

NUMERICAL INDEX OF PARTS

PART NO	PAGE	REF NO.	PART NO	PAGE	REF NO.	PART NO	PAGE	REF NO.
SS5110710SP	6	31	SS7060610SP	22	45	SS9090410TP	22	43
SS5110710SP	48	17	SS7060610SP	32	24	SS9090610TP	22	42
SS5110710SP	50	38	SS7060610SP	62	35	SS9090823TP	40	19
SS5120810SP	64	60	SS7080520SP	32	28	SS9111010SP	18	3
SS5150510SP	34	41	SS7080520SP	62	39	SS9111010SP	38	21
SS6060210SP	32	25	SS7090510SP	38	42	SS9111050SP	20	51
SS6060210SP	62	36	SS7090530SP	2	20	SS9111610SP	62	47-50
SS6060340SP	32	44	SS7090610SP	2	22	SS9112310SP	64	47-50
SS6060410TP	62	29	SS7090610SP	38	44	SS9151210TP	22	22
SS6060440TP	22	1	SS7090610SP	42	19	SS9151210TP	26	8
SS6060440TP	32	31	SS7090611SL	6	34	SS9151210TP	28	6
SS6060440TP	46	53	SS7090710SP	38	25	SS9154540SP	64	61
SS6060440TP	62	42	SS7090850SP	22	26	SS9681610TP	8	12
SS6080320SP	16	15	SS7091410SP	2	33	ST60308210A	50	13
SS6080340SP	20	55	SS7110510SP	2	27	TA0800504R0	20	53
SS6080340SP	28	17	SS7110510SP	28	14	TA0950806R0	42	4
SS6080410SP	22	28	SS7110710SL	34	29	TA1030402R0	16	7
SS6080410SP	62	12	SS7110710SP	2	29	TA1871602R0	6	41
SS6080720SP	12	23	SS7110720SP	38	13	TA2050416R0	16	8
SS6081210TP	8	42	SS7110720TP	26	39	TA2050805R0	6	42
SS6090420SP	50	11	SS7110840SP	8	46	WP0250516SD	32	23
SS6090620TP	18	8	SS7110840SP	22	36	WP0250516SD	62	34
SS6090620TP	24	61	SS7110840SP	28	28	WP0370316SD	40	20
SS6090620TP	26	37	SS7110840SP	38	36	WP0370316SD	50	14
SS6090630TP	24	62	SS7110840SP	42	24	WP0371016SD	18	28
SS6090630TP	48	27	SS7110910TP	16	17	WP0371026SD	42	23
SS6090630TP	50	37	SS7111410TP	8	40	WP0460556SD	20	61
SS6090650SP	32	36	SS7111410TP	28	29	WP0460556SD	28	46
SS6090670TP	12	37	SS7111810TP	8	44	WP0480856SP	20	62
SS6090670TP	32	21	SS7150740SP	28	45	WP0621016SD	20	63
SS6090670TP	62	32	SS7151120SP	38	30	WP0651056SD	44	22
SS6090810SP	44	14	SS7161040SP	30	48	WP0671016SE	52	36
SS6110610TP	38	17	SS8080310TP	12	48	WP0751576SD	6	25
SS6110710TP	26	38	SS8080310TP	14	48	WP0764016SP	8	13
SS6110710TP	28	5	SS8080322TP	62	2	WP0850002SC	50	30
SS6111040SP	40	8	SS8090530TP	14	59	WP0871602SE	52	30
SS6111440SP	2	47	SS8110410TP	2	24	WP1002036SE	48	28
SS6111610SP	40	10	SS8110410TP	16	11	WP1002036SE	50	39
SS6121020SP	28	40	SS8110410TP	18	44	WP1612616SE	54	25
SS6121220TP	16	3	SS8110410TP	34	17	WP1612616SE	56	27
SS6151440SP	38	34	SS8151150TP	8	5	WP1612616SE	58	26
SS6661110SP	18	46	SS8660330SP	18	32	WP1612616SE	60	28
SS7060310SP	18	12	SS8660330SP	40	23	WS0510002KN	54	29
SS7060510SP	32	3	SS8660610TP	14	56	WS0510002KN	56	31
SS7060510SP	38	43	SS8660610TP	24	60	WS0510002KN	58	30

NUMERICAL INDEX OF PARTS

PART NO	PAGE	REF NO.
WS0510002KN	60	32
WS0621210KR	52	35
WS0822010KP	6	26
WS0861410KR	52	29
WS1002560KR	48	29
WS1002560KR	50	36
WS1643202KR	54	26
WS1643202KR	56	28
WS1643202KR	58	27
WS1643202KR	60	29
WZ0420350KP	2	37
WZ0420350KP	62	24
WZ0640312K0	34	43
WZ0850302K0	6	30
WZ2640310KH	8	15