

MODEL : LH-4128/LH-4128-7/LH-4168-7/LH-4188-7

List No : 1422-06

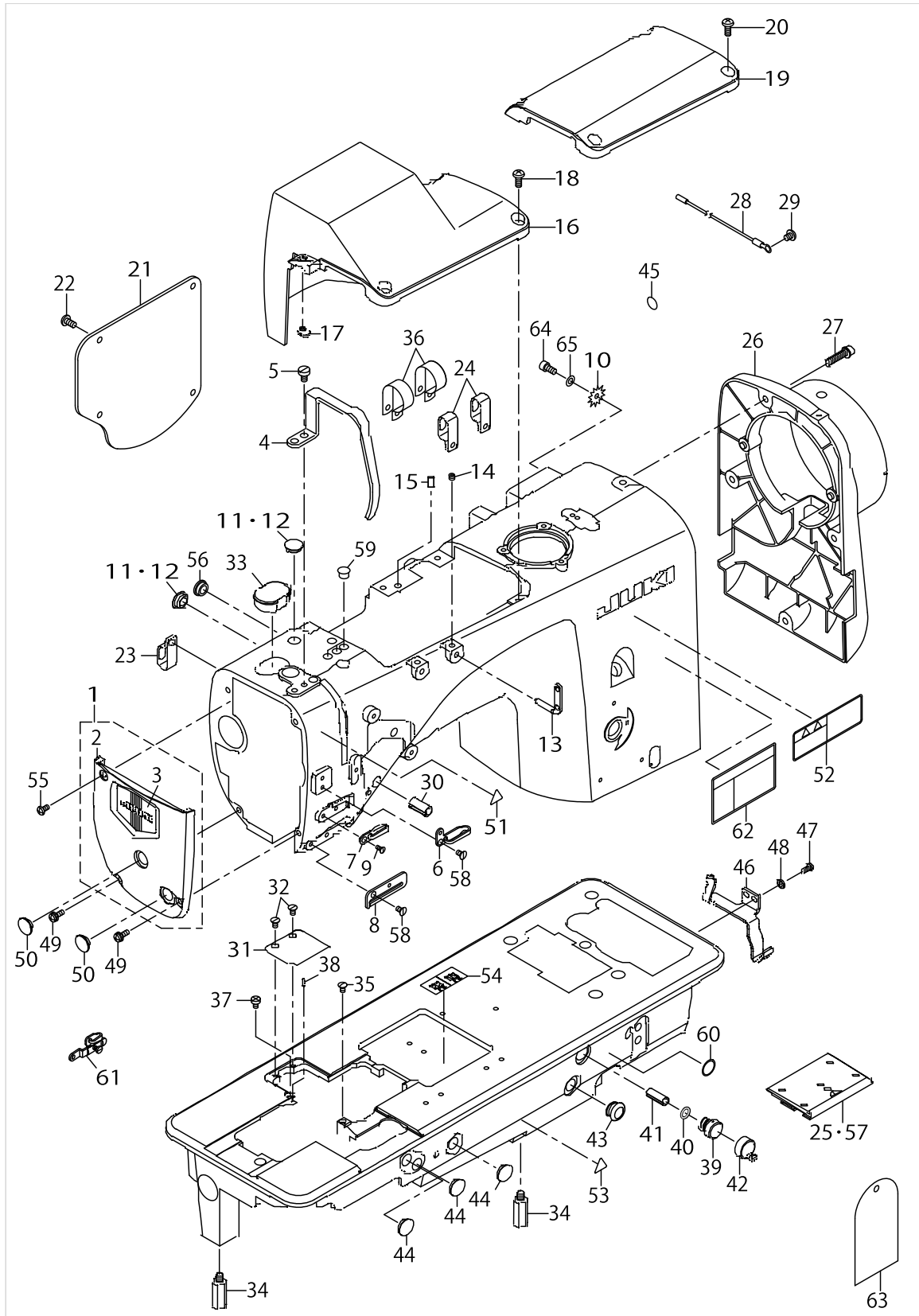
PARTS LIST

Published:09/10/2017

CONTENTS

FRAME & MISCELLANEOUS COVER COMPONENTS	1
MAIN SHAFT COMPONENTS (1).....	5
MAIN SHAFT COMPONENTS (2).....	9
NEEDLE DRIVE COMPONENTS (1)(FOR LH-4168-7,4188-7).....	13
NEEDLE DRIVE COMPONENTS (2)(FOR LH-4168-7,4188-7).....	17
NEEDLE CHANGE COMPONENTS (FOR LH-4168-7,4188-7).....	21
TENSION POST COMPONENTS (1)(FOR LH-4128,4128-7,4168-7).....	25
TENSION POST COMPONENTS (2)(FOR LH-4188-7).....	29
HOOK & HOOK DRIVING SHAFT COMPONENTS (1)(FOR LH-4128,4128-7,4168-7).....	33
HOOK & HOOK DRIVING SHAFT COMPONENTS (2)(FOR LH-4188-7).....	39
FEED MECHANISM COMPONENTS.....	43
HAND LIFTER & TENSION RELEASE COMPONENTS.....	49
THREAD TRIMMER MECHANISM COMPONENTS (FOR LH-4128-7,4168-7,4188-7).....	53
AUTOMATIC REVERSE FEED MECHANISM COMPONENTS	57
WIPER MECHANISM COMPONENTS (FOR LH-4128-7,4168-7,4188-7)	59
LUBRICATION COMPONENTS	61
BOBBIN WINDER COMPONENTS.....	65
BOTTOM COVER COMPONENTS.....	67
AK COMPONENTS.....	69
THREAD STAND COMPONENTS.....	71
TABLE & STAND COMPONENTS.....	73
ACCESSORIE PART COMPONENTS	75
TABLE OF EXCHANGING GAUGE PARTS (1)(FOR LH-4128(1))	79
TABLE OF EXCHANGING GAUGE PARTS (2)(FOR LH-4128(2))	83
TABLE OF EXCHANGING GAUGE PARTS (3)(FOR LH-4128*F).....	87
TABLE OF EXCHANGING GAUGE PARTS (4)(FOR LH-4128-7(1)).....	89
TABLE OF EXCHANGING GAUGE PARTS (5)(FOR LH-4128-7(2)).....	93
TABLE OF EXCHANGING GAUGE PARTS (6)(FOR LH-4168-7(1)).....	95
TABLE OF EXCHANGING GAUGE PARTS (7)(FOR LH-4168-7(2)).....	99
TABLE OF EXCHANGING GAUGE PARTS (8)(FOR LH-4188-7).....	103
LIST FOR INFORMATION OF CHANGE.....	107
HOW TO MAKE USE OF THIS PARTS LIST	108

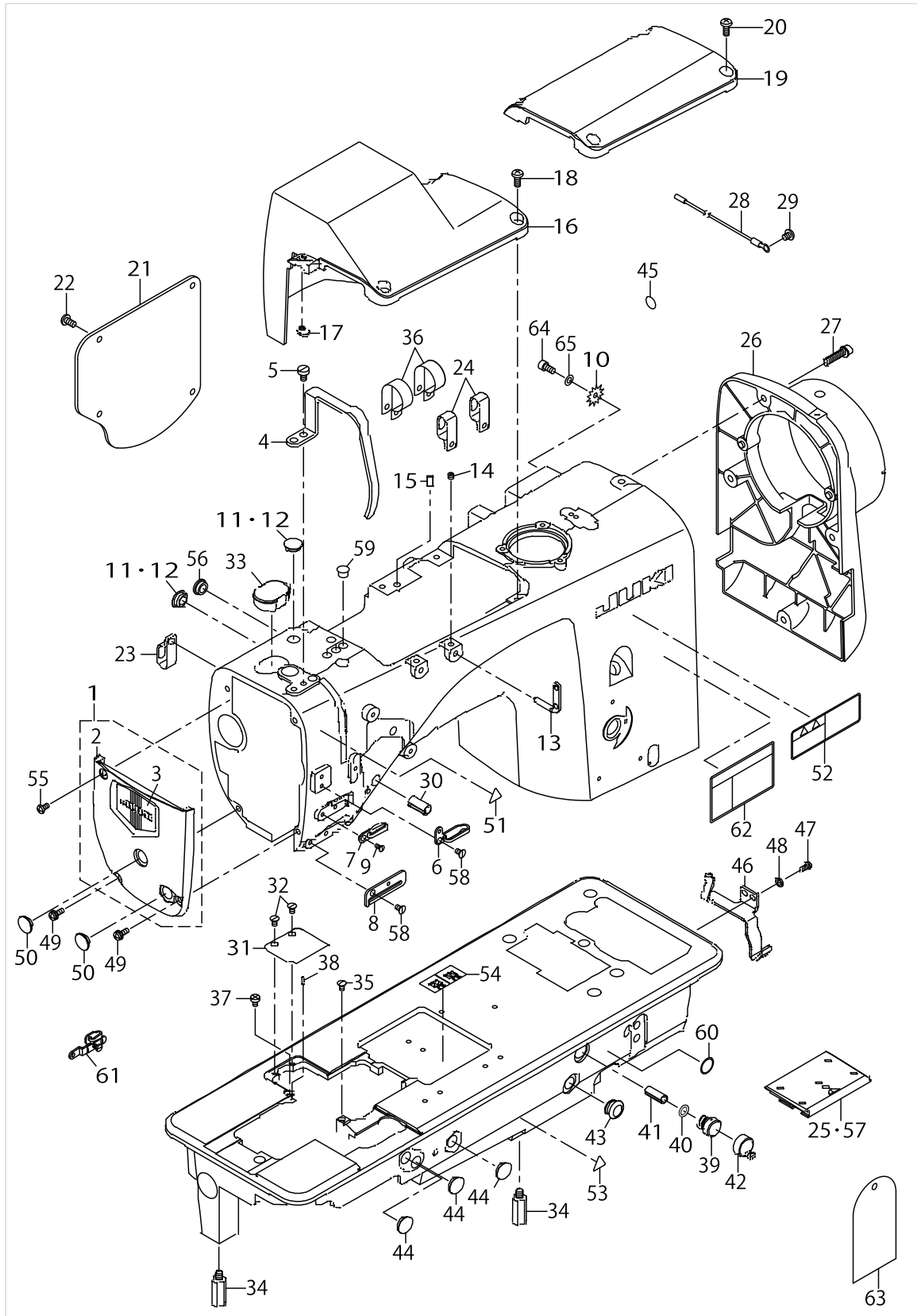
FRAME & MISCELLANEOUS COVER COMPONENTS



FRAME & MISCELLANEOUS COVER COMPONENTS

No.	Parts No.	Parts name	Remarks	Level	Cons	Qty
1	40022479	FACE_COVER_ASM.				1
2	40013863	FACE_COVER		*		1
3	22902506	FACE PLATE		*		1
4	40034153	THREAD_TAKE_UP_COVER				1
5	SM6050800SP	SCREW M5 L=8				2
6	40029078	THREAD_GUIDE_UPPER				1
7	22603112	THREAD GUIDE				1
8	40028707	THREAD_GUIDE_LOWER				1
9	SM2750750TP	SCREW M3.5 L=7				1
10	WT0530002KS	TOOTHED WASHER D=5.3				2
11	TA1250406R0	RUBBER PLUG D=12.5 L=4	FOR LH-4168-7,4188-7			6
12	TA1250406R0	RUBBER PLUG D=12.5 L=4	FOR LH-4128,4128-7			5
13	22920706	TWO EYELET				2
14	SM8050412TP	SCREW M5 L=4				2
15	12219705	PIN	FOR LH-4168-7,4188-7			1
16	40013977	TOP_COVER_A	FOR LH-4168-7,4188-7			1
17	40022690	TOP_COVER_CUSHION	FOR LH-4168-7,4188-7			1
18	SM4051255SP	SCREW.,M5 L=12	FOR LH-4168-7,4188-7			3
19	40013968	TOP_COVER_B	FOR LH-4128,4128-7			1
20	SM4051255SP	SCREW.,M5 L=12	FOR LH-4128,4128-7			4
21	40022477	REAR_PLATE				1
22	SM4051055SP	SCREW				4
23	40016749	TUBE HOLDER	FOR LH-4168-7,4188-7			2
24	40016749	TUBE HOLDER	FOR LH-4128,4128-7			2
25	40031358	ASSY_SLIDE_PLATE-F	FOR LH-4128-7,4168-7,4188-7			1
26	40022478	PULLEY_COVER				1
27	SL6052592TN	BOLT				4
28	23601057	EARTH CORD ASM.				1
29	SM4050655SP	SCREW M5 L=6				1
30	PS1000202KP	SPRING PIN 10.3X20				2
31	40028706	AUXILIARY_COVER				1
32	SM1040750TP	SCREW M4 L=7				2
33	40022423	ARM_CAP				1
34	40016706	OIL_TANK_STUD_B				2
35	SM2040750TP	SCREW M4 L=7.4				1
36	HX00150000L	CABLE CLIP	FOR LH-4168-7,4188-7			2
37	SM6040655TP	SCREW M4 L=6				1
38	B1104051000	THROAT PLATE PIN				1
39	23629900	AIR-DISCHARGING				1
40	RO080150200	RUBBER RING				1
41	PS0800202KH	SPRING PIN 8X20				1
42	23601305	AIR-DISCHARGING CAP				1
43	TA1250705R0	RUBBER PLUG				1
44	TA1250406R0	RUBBER PLUG D=12.5 L=4				3
45	22901805	GROUND MARK				1
46	40017200	SAFETY_SWITCH_PLATE				1
47	SM4040855SP	SCREW				2

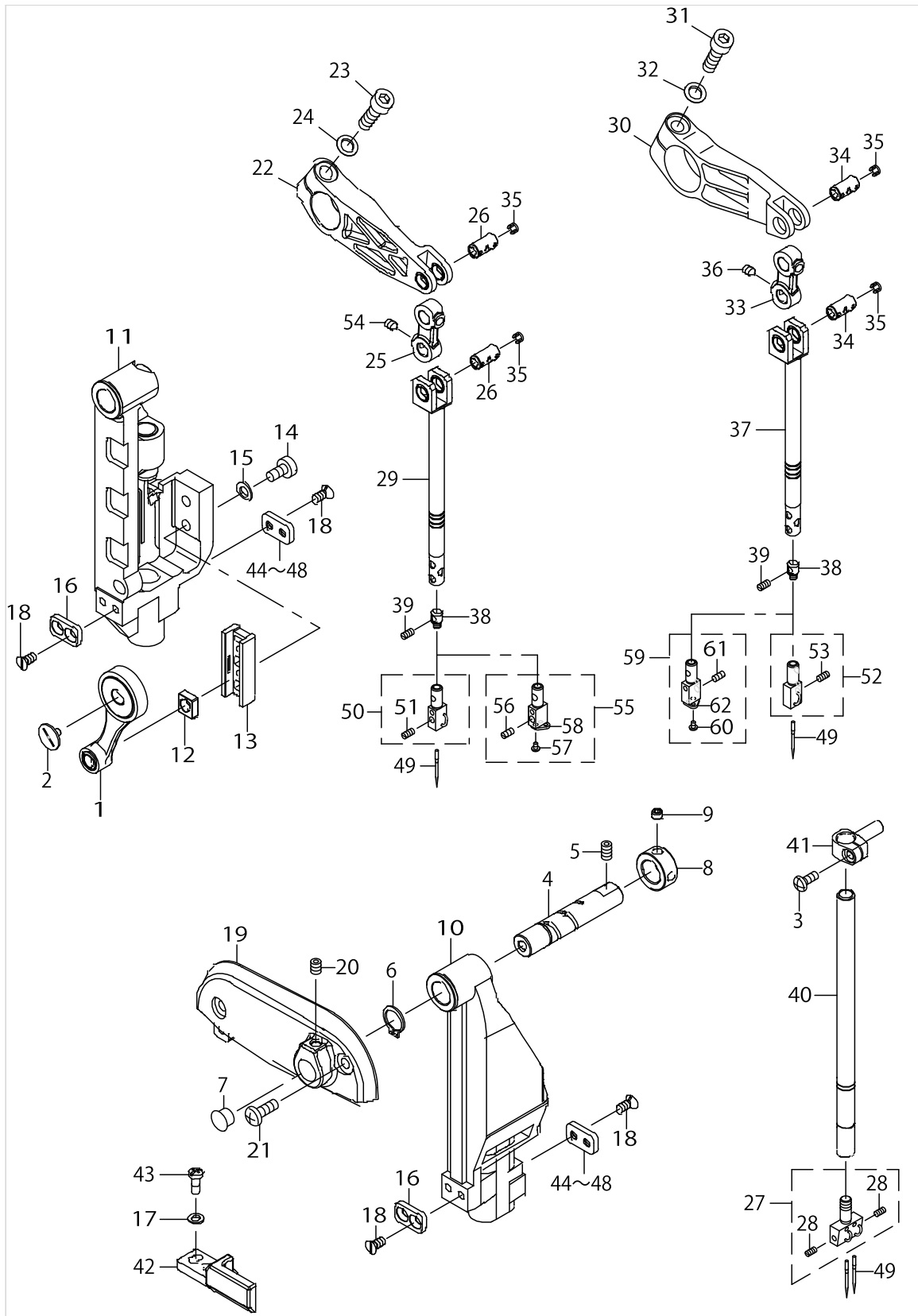
FRAME & MISCELLANEOUS COVER COMPONENTS



FRAME & MISCELLANEOUS COVER COMPONENTS

No.	Parts No.	Parts name	Remarks	Level	Cons	Qty
48	WP0430800SD	WASHER M4				2
49	SM4041255SP	SCREW M4 L=12				2
50	TA1250406R0	RUBBER PLUG D=12.5 L=4				2
51	CM300200001	ATTENTION SEAL				1
52	CM301300001	SAFETY LABEL				1
53	CM300200003	ATTENTION LABEL				1
54	40026811	THREADING_DIAGRAM				1
55	SM4041655SP	SCREW M4 L=16				1
56	TA1330405R0	BUSHING				1
57	40034931	ASSY_SLIDE_PLATE-F	FOR LH-4128			1
58	SM1040750TP	SCREW M4 L=7				2
59	TA0850604R0	RUBBER PLUG				3
60	CM100100001	OIL INJECTION PROHIBITION LABE				1
61	22651459	THREAD GUIDE ASM., E	FOR LH-4188-7			1
62	CM200200201	LABEL_02_C				1
63	23640006	SHEET				1
64	SM6051000SP	SCREW				2
65	WP0531000SC	WASHER 5.3X10X1				2

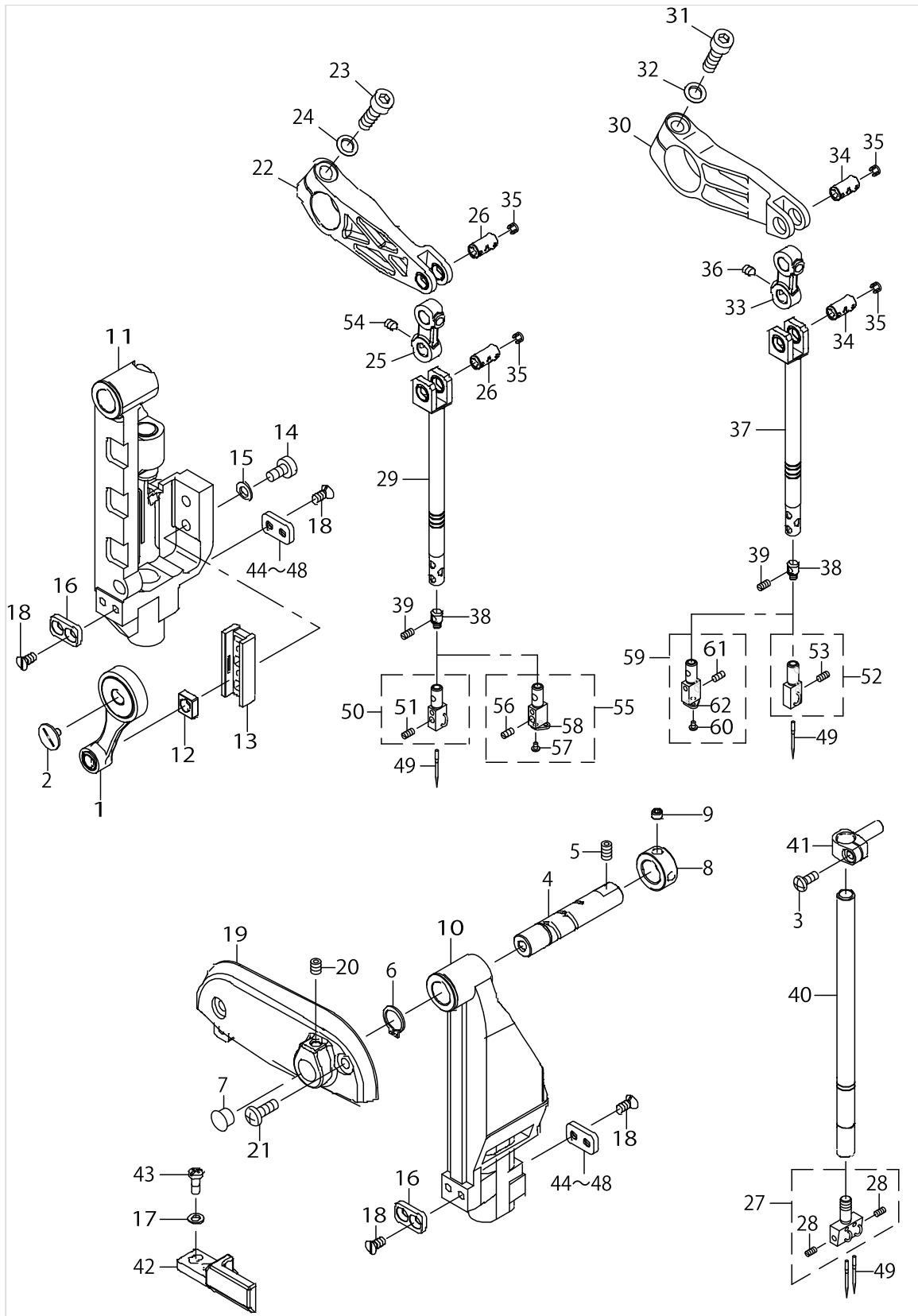
MAIN SHAFT COMPONENTS (1)



MAIN SHAFT COMPONENTS (1)

No.	Parts No.	Parts name	Remarks	Level	Cons	Qty
1	40017471	ASSY-NB_CRANK_ROD	FOR LH-4128,4128-7			1
2	B1903552000	LEFT SCREW	FOR LH-4128,4128-7			1
3	SM4041055SP	SCREW	FOR LH-4128,4128-7			1
4	40022111	NEEDLE_BAR_FRAME_SHAFT				1
5	SM8050812TP	SCREW M5X8				1
6	RC1200001KP	C-SHAPED SNAP RING				1
7	TA0850604R0	RUBBER PLUG				1
8	CS1200981TP	THRUST COLLAR D=12 W=9				1
9	SM8050412TP	SCREW M5 L=4				2
10	40020297	ASSY-NB_FRAME_TYPE68	FORLH-4168-7,4188-7			1
11	40019825	ASSY-NB_FRAME_TYPE28	FOR LH-4128,4128-7			1
12	40020023	SLIDE_BLOCK	FOR LH-4128,4128-7			1
13	40020018	CONNECTION_GUIDE-B	FOR LH-4128,4128-7			1
14	SM6051000SP	SCREW	FOR LH-4128,4128-7			2
15	WP0550800SP	WASHER 5.5X10X0.8	FOR LH-4128,4128-7			2
16	40025594	P=FRAME_GUIDE_A				1
17	WP0430800SD	WASHER M4				2
18	SM2040750TP	SCREW M4 L=7.4				4
19	40013922	FRAME_SHAFT_BASE				1
20	SM8050612TP	SCREW M5X6				1
21	SM4051455SP	SCREW M5 L=14				2
22	40015884	ASSY_ND_ARM_LEFT	FORLH-4168-7,4188-7			1
23	SM6062002TP	SCREW M6 L=20	FORLH-4168-7,4188-7			1
24	WP0651056SH	WASHER 6.5X11X1	FORLH-4168-7,4188-7			1
25	40015889	NEEDLE_BAR_ROD	FORLH-4168-7,4188-7			1
26	40015890	NEEDLE_BAR_ROD_PIN	FORLH-4168-7,4188-7			2
27	40026035	ASSY_NEEDLE_CLAMP(1/4)	EXCHANGING GAUGE PARTS (SEE P.45~57)			1
28	SS8080660TP	SCREW 1/8-44 L=5.5		*		2
29	40021058	ASSY-NEEDLE_BAR	FORLH-4168-7,4188-7			1
30	40015887	ASSY_ND_ARM_RIGHT	FORLH-4168-7,4188-7			1
31	SM6062502TP	SCREW M6 L=25	FORLH-4168-7,4188-7			1
32	WP0651056SH	WASHER 6.5X11X1	FORLH-4168-7,4188-7			1
33	40015889	NEEDLE_BAR_ROD	FORLH-4168-7,4188-7			1
34	40015890	NEEDLE_BAR_ROD_PIN	FORLH-4168-7,4188-7			2
35	40028882	PLUG	FORLH-4168-7,4188-7			8
36	SM8040642TP	SCREW	FORLH-4168-7,4188-7			2
37	40021058	ASSY-NEEDLE_BAR	FORLH-4168-7,4188-7			1
38	40012064	NEEDLE_CLAMP_HOLDER	FORLH-4168-7,4188-7			2
39	B1425526000	SCREW 1/8-44 L=6	FORLH-4168-7,4188-7		☆	4
40	40037176	NEEDLE_BAR_4128	FOR LH-4128,4128-7			1
41	40025751	NEEDLE_BAR_CONNECTION	FOR LH-4128,4128-7			1
42	40011151	FRAME_GUIDE-B				1
43	SM4041055SP	SCREW				2
44	40025033	FRAME_GUIDE-A3	SELECTIVE PARTS			1
45	40025032	FRAME_GUIDE-A1	SELECTIVE PARTS			1
46	40020032	FRAME_GUIDE-A2	SELECTIVE PARTS			1

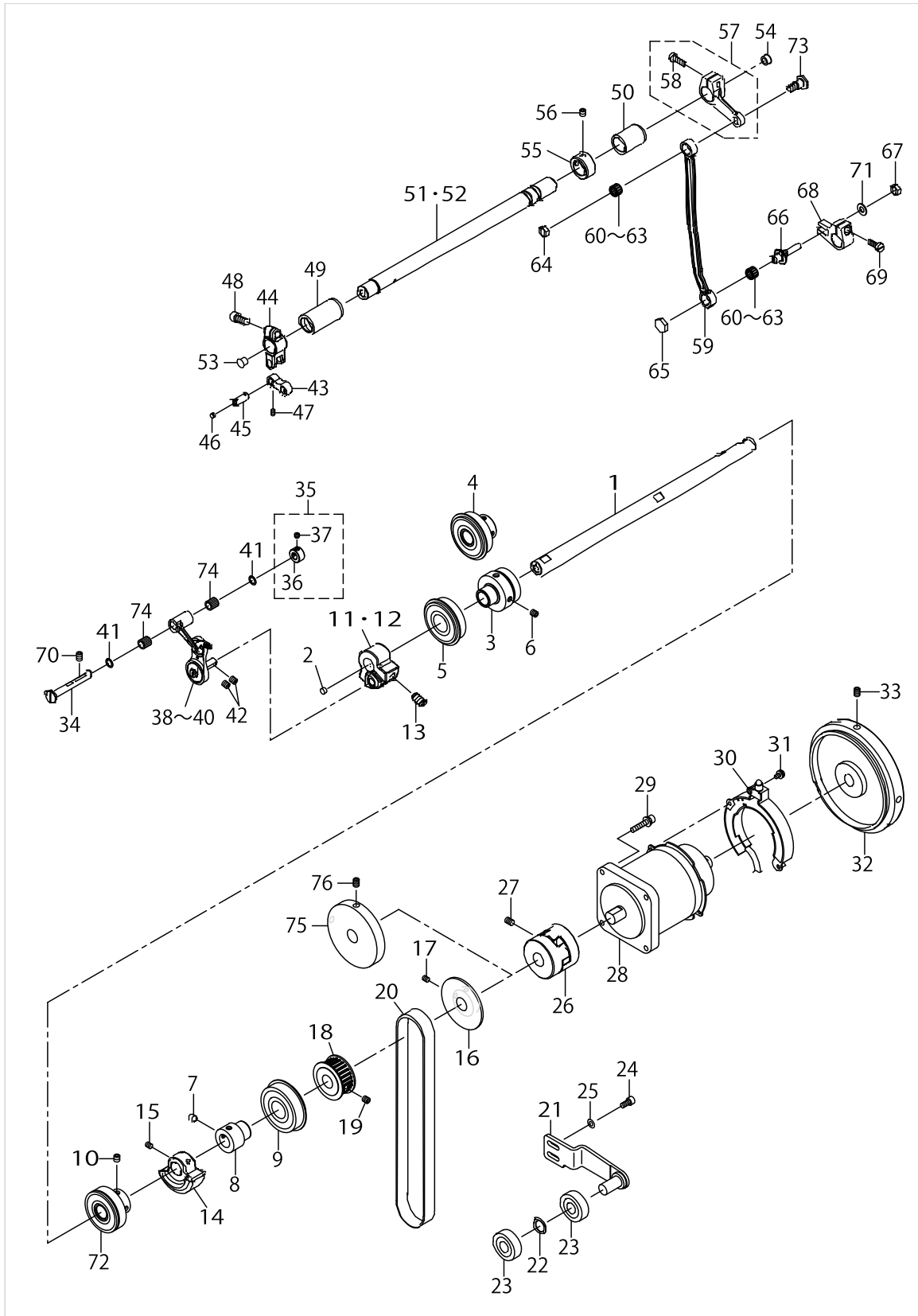
MAIN SHAFT COMPONENTS (1)



MAIN SHAFT COMPONENTS (1)

No.	Parts No.	Parts name	Remarks	Level	Cons	Qty
47	40055372	FRAME_GUIDE-A4	SELECTIVE PARTS			1
48	40055495	FRAME_GUIDE-A0	SELECTIVE PARTS			1
49	MDP500B1400	NEEDLE DPX5 #14				2
50	40026069	ASSY_NEEDLE_CLAMP_L(1/4)	EXCHANGING GAUGE PARTS (SEE P.45~57)			1
51	SS8080660TP	SCREW 1/8-44 L=5.5		*		1
52	40026090	ASSY_NEEDLE_CLAMP_R(1/4)	EXCHANGING GAUGE PARTS (SEE P.45~57)			1
53	SS8080660TP	SCREW 1/8-44 L=5.5		*		1
54	SM8040642TP	SCREW	FORLH-4168-7,4188-7			2
55	B1402526FALA	NEEDLE CLAMP LEFT ASM. 1/4				1
56	SS8080660TP	SCREW 1/8-44 L=5.5		*		1
57	SS5060310SP	SCREW 3/32-56 L=2.8		*		1
58	B1403526000	THREAD GUIDE		*		1
59	B1402526FARA	NEEDLE CLAMP RIGHT ASM. 1/4				1
60	SS5060310SP	SCREW 3/32-56 L=2.8		*		1
61	SS8080660TP	SCREW 1/8-44 L=5.5		*		1
62	B1403526000	THREAD GUIDE		*		1

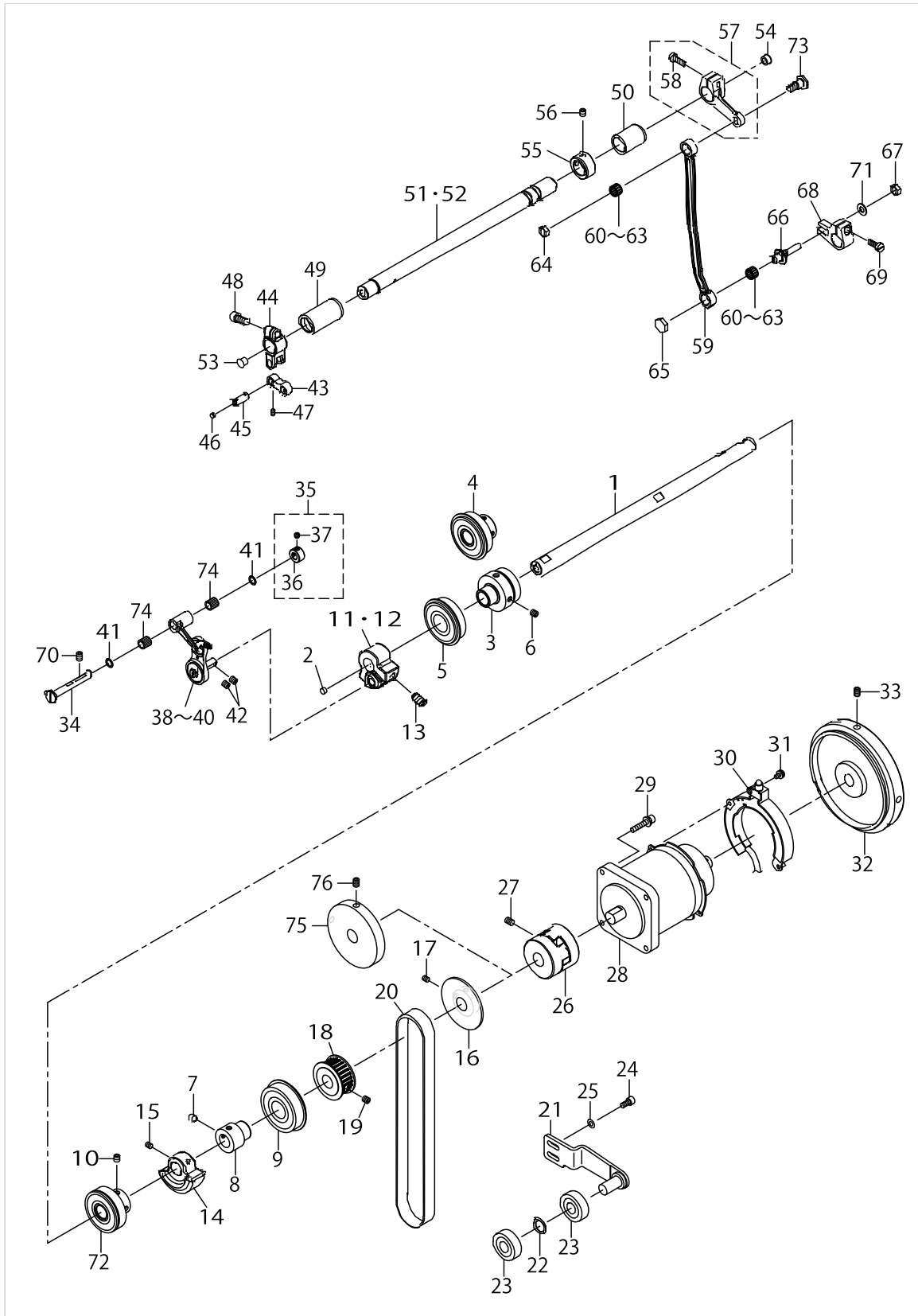
MAIN SHAFT COMPONENTS (2)



MAIN SHAFT COMPONENTS (2)

No.	Parts No.	Parts name	Remarks	Level	Cons	Qty
1	40012065	MAIN_SHAFT				1
2	TA0600401R0	PLUG	FOR LH-4168-7,4188-7			1
3	40025192	ASSY_MAIN_SHAFT_BEARING_F68	FOR LH-4168-7,4188-7			1
4	40025206	ASSY_MAIN_SHAFT_BEARING_F28	FOR LH-4128,4128-7			1
5	SB120002000	BEARING	FOR LH-4168-7,4188-7			1
6	SM80606A2TP	SCREW M6 L=6				2
7	SM80606A2TP	SCREW M6 L=6				2
8	SB120000800	BEARING				1
9	23604200	MAIN SHAFT BEARING SUPPORT				1
10	SM80606A2TP	SCREW M6 L=6				2
11	40012067	COUNTERWEIGHT_68	FOR LH-4168-7,4188-7			1
12	40012066	COUNTERWEIGHT_28	FOR LH-4128,4128-7			1
13	SM8081652TP	SCREW M8 L=16				2
14	40012078	BALANCER_WEIGHT_68	FOR LH-4168-7,4188-7			1
15	SM8050612TP	SCREW M5X6	FOR LH-4168-7,4188-7			2
16	40013354	WINDER_DRIVING_WHEEL	EXCEPT LH-4188-7			1
17	SM8050612TP	SCREW M5X6	EXCEPT LH-4188-7			2
18	40017112	ASSY_MAIN_SHAFT_SPROCKET				1
19	SM80606A2TP	SCREW M6 L=6				2
20	40017123	TIMING_BELT				1
21	40081635	ASSY_IDOLER_PLATE				1
22	E3026721000	SLIDER				1
23	B1803019000	BALL BEARING, INTERMEDIATE				2
24	SM6051002TP	SCREW M5X0.8 L=10				2
25	WP0531000SD	WASHER M5				2
26	23604309	COUPLING				1
27	SM80608A2TP	SCREW M6 L=8				4
28	40028014	AC SERVO MOTOR				1
29	SL6052592TN	BOLT				4
30	M68014710A0	SYNC ASM.				1
31	SL4040881SC	SCREW M4 L=8				2
32	40025237	ASSY_HAND_WHEEL				1
33	SM80608A2TP	SCREW M6 L=8				2
34	40006300	THREAD_TAKE_UP_CRANK_SH				1
35	40010434	THRUST_COLLAR_ASM				1
36	40010435	THRUST_COLLAR		*		1
37	40010436	THRUST_COLLAR_SCREW		*		2
38	40021062	COMP_TAKE_UP_LEVER_68	FOR LH-4168-7			1
39	40021061	COMP_TAKE_UP_LEVER_28	FOR LH-4128,4128-7			1
40	40021223	COMP_TAKE_UP_LEVER_88	FOR LH-4188-7			1
41	22891204	BEARING SUPPORT				2
42	SM80606A2TP	SCREW M6 L=6				2
43	40021463	NF_ARM_LINK				1
44	40021462	NF_ARM				1
45	40015891	NEEDLE_FEED_LINK_PIN				2
46	40028882	PLUG				4
47	SM8040642TP	SCREW				2

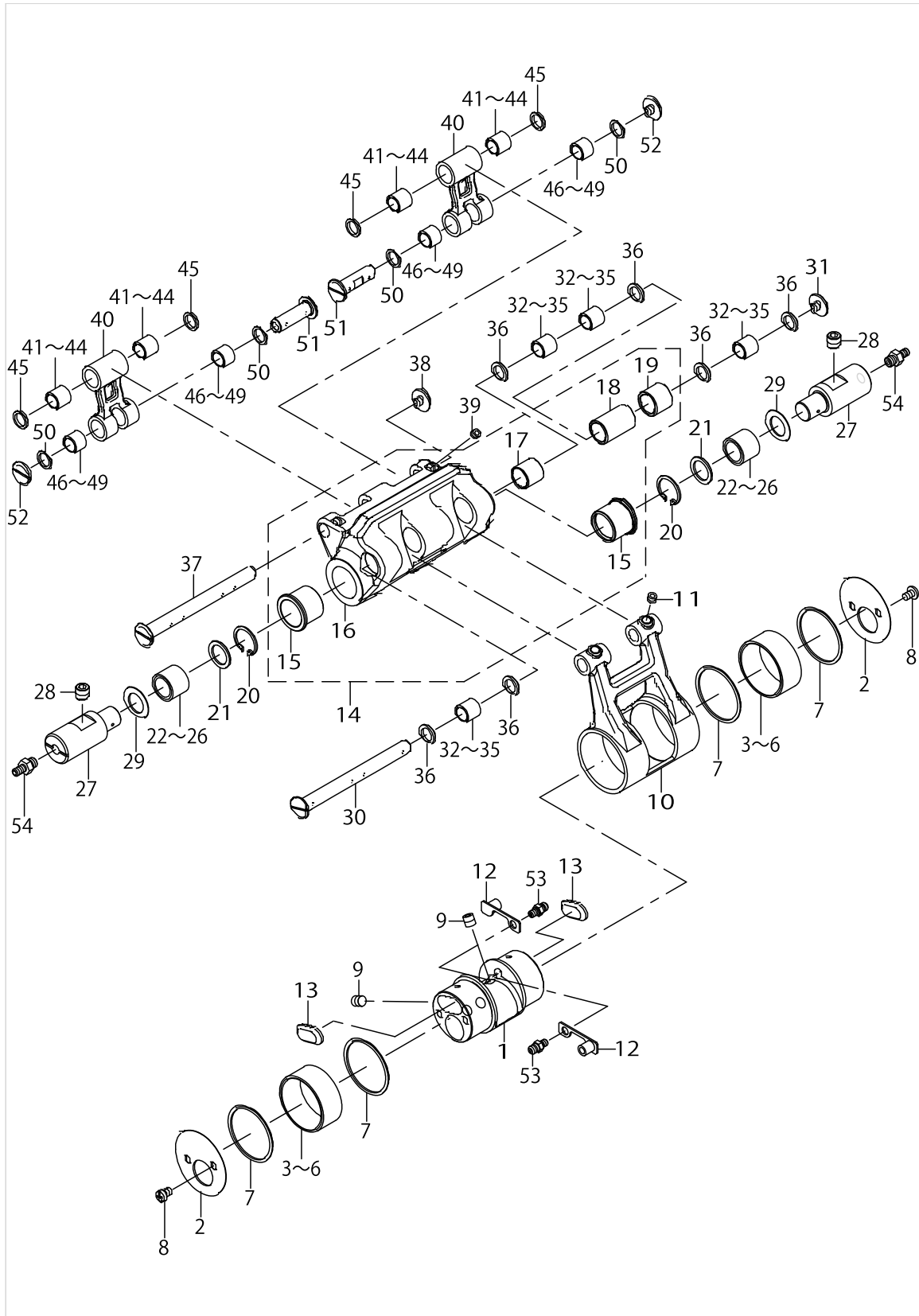
MAIN SHAFT COMPONENTS (2)



MAIN SHAFT COMPONENTS (2)

No.	Parts No.	Parts name	Remarks	Level	Cons	Qty
48	SM6061402TP	SCREW M6 L=14				1
49	40012550	NF_SHAFT_BUSH_F				1
50	40010709	NF SHAFT BUSH R				1
51	40012079	NEEDLE_FEED_SHAFT_68	FOR LH-4168-7,4188-7			1
52	40012535	NEEDLE_FEED_SHAFT_28	FOR LH-4128,4128-7			1
53	TA0750704R0	RUBBER PLUG				1
54	TA0950806R0	RUBBER PLUG				1
55	CS1701181TP	THRUST COLLAR D=17 W=11				1
56	SM80606A2TP	SCREW M6 L=6				2
57	40026910	ASSY_NF_REAR_ARM				1
58	SM6051602TP	SCREW M5X0.8 L=16		*		1
59	40011435	NEEDLE_FEED_ROD				1
60	B1905541A00	NEEDLE BEARING, A	SELECTIVE PARTS			2
61	B1905541B00	NEEDLE BEARING	SELECTIVE PARTS			2
62	B1905541C00	NEEDLE BEARING	SELECTIVE PARTS			2
63	B1905541D00	NEEDLE BEARING	SELECTIVE PARTS			2
64	NM6060001CP	NUT M6				1
65	40012082	NE_ROD_SCREW				1
66	40015893	NF_ADJUSTING_SCREW				1
67	NM6060001CP	NUT M6				1
68	40012081	NF_LOWER_ARM				1
69	SM6051400SP	SCREW				1
70	SM80608A2TP	SCREW M6 L=8				2
71	WP0621016SD	WASHER 6.2X13X1				1
72	40025194	ASSY_MAIN_SHAFT_BEARING_M				1
73	SD0800806TP	SHOULDER SCREW D=8 H=8				1
74	SB307000200	BEARING				2
75	40081532	WINDER_DRIVING_WHEEL	FOR LH-4188-7			1
76	SM80608A2TP	SCREW M6 L=8	FOR LH-4188-7			1

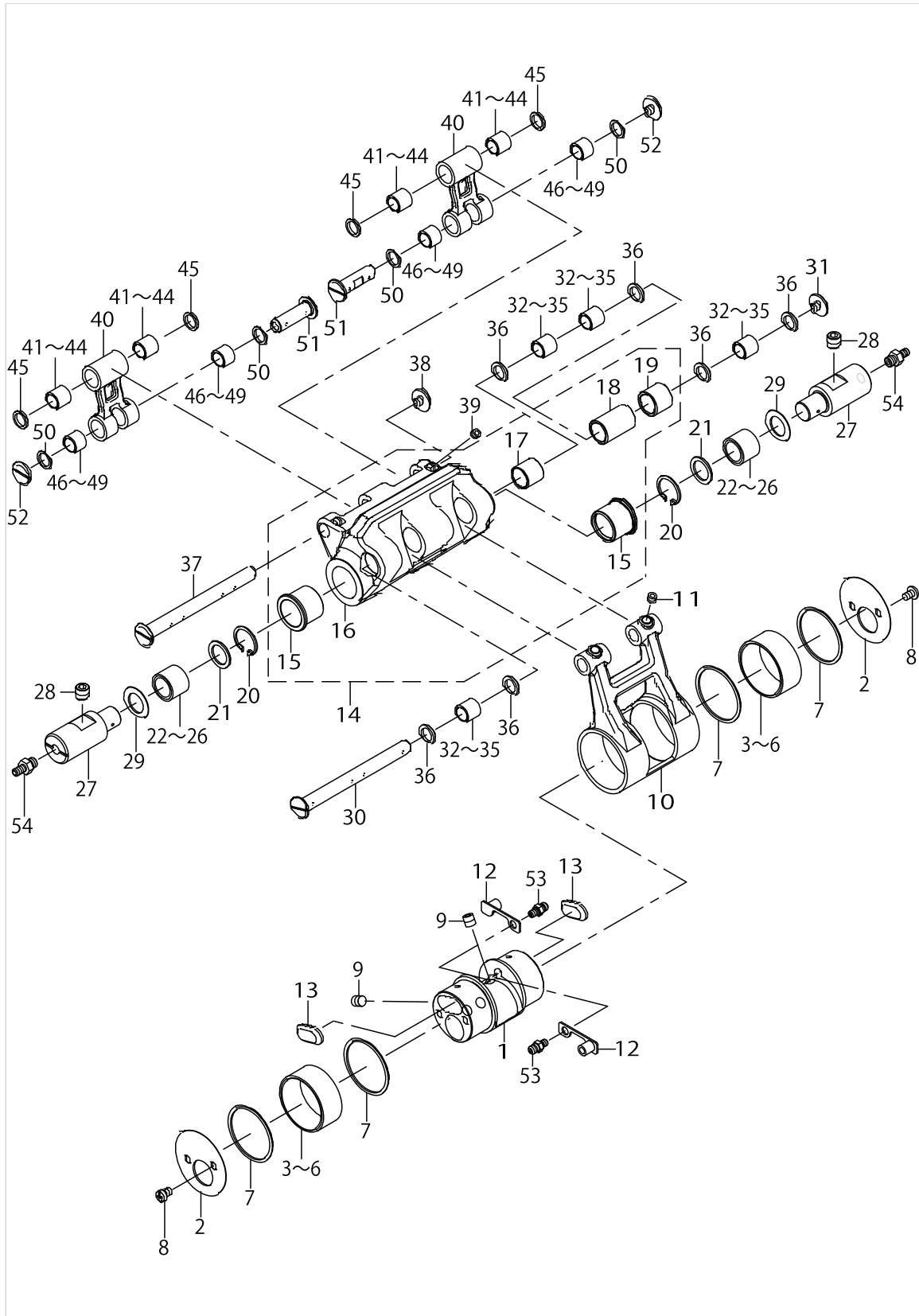
NEEDLE DRIVE COMPONENTS (1)(FOR LH-4168-7,4188-7)



NEEDLE DRIVE COMPONENTS (1)(FOR LH-4168-7,4188-7)

No.	Parts No.	Parts name	Remarks	Level	Cons	Qty
1	40015895	ND_ECCENTRIC_CAM				1
2	40015896	ND_CAM_LID				2
3	SB33200010A	BEARING	SELECTIVE PARTS			2
4	SB33200010B	BEARING	SELECTIVE PARTS			2
5	SB33200010C	BEARING	SELECTIVE PARTS			2
6	SB33200010D	BEARING	SELECTIVE PARTS			2
7	40015898	ND_CAM_COVER				4
8	SM4040655SP	SCREW M4 L=6				4
9	SM80606A2TP	SCREW M6 L=6				4
10	40015897	ND_CAM_ROD				1
11	SM8050412TP	SCREW M5 L=4				2
12	40032668	RUBBER_CAP				2
13	40020387	ND_CAM_GREASE_CAP				2
14	40015899	ASSY_ND_CENTER_LINK				1
15	40013269	ND_CENTER_LINK_BUSH_A		*		2
16	40015900	ND_CENTER_LINK		*		1
17	40015901	ND_CENTER_LINK_BUSH_B		*		1
18	40015902	ND_CENTER_LINK_BUSH_C		*		1
19	40021932	ND_CENTER_LINK_BUSH_D		*		1
20	RC1700002KP	RETAINING RING 17				2
21	40015912	ND_CENTER_PIN_COVER				2
22	SB31200050A	BEARING	SELECTIVE PARTS			2
23	SB31200050B	BEARING	SELECTIVE PARTS			2
24	SB31200050C	BEARING	SELECTIVE PARTS			2
25	SB31200050D	BEARING	SELECTIVE PARTS			2
26	SB31200050E	BEARING	SELECTIVE PARTS			1
27	40015903	ND_CENTER_LINK_SHAFT				2
28	SM8080812TP	SCREW M8X8				2
29	40040621	THRUST_WASHER				2
30	40015907	ND_PIN_A				1
31	40015911	ND_PIN_LID_SCREW				1
32	SB30800130A	BEARING	SELECTIVE PARTS			4
33	SB30800130B	BEARING	SELECTIVE PARTS			4
34	SB30800130C	BEARING	SELECTIVE PARTS			4
35	SB30800130D	BEARING	SELECTIVE PARTS			4
36	40015913	ND_PIN_COVER_A				6
37	40015908	ND_PIN_B				1
38	40015911	ND_PIN_LID_SCREW				1
39	SM8050412TP	SCREW M5 L=4				2
40	40015904	ND_ROD_A				2
41	SB30800140A	BEARING	SELECTIVE PARTS			4
42	SB30800140B	BEARING	SELECTIVE PARTS			4
43	SB30800140C	BEARING	SELECTIVE PARTS			4
44	SB30800140D	BEARING	SELECTIVE PARTS			4
45	40015914	ND_PIN_COVER_B				4
46	SB30800150A	BEARING	SELECTIVE PARTS			4
47	SB30800150B	BEARING	SELECTIVE PARTS			4

NEEDLE DRIVE COMPONENTS (1)(FOR LH-4168-7,4188-7)



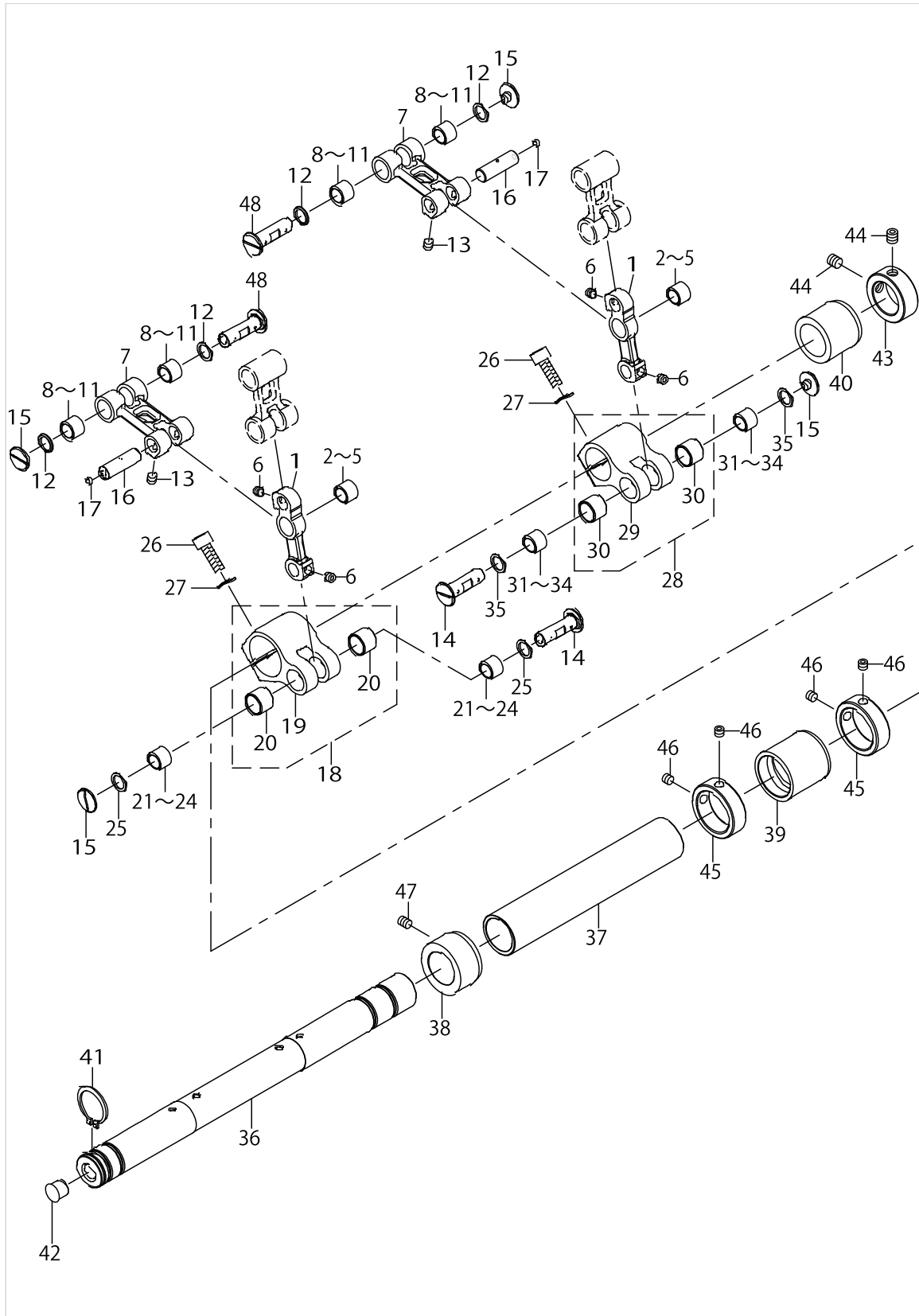
NEEDLE DRIVE COMPONENTS (1)(FOR LH-4168-7,4188-7)

No.	Parts No.	Parts name	Remarks	Level	Cons	Qty
48	SB30800150C	BEARING	SELECTIVE PARTS			4
49	SB30800150D	BEARING	SELECTIVE PARTS			4
50	40015915	ND_PIN_COVER_C				4
51	40040369	ND_PIN_E				2
52	40015911	ND_PIN_LID_SCREW				2
53	SQ2040501MZ	CONNECTING SCREW				2
54	SQ2060451MZ	CONNECTING SCREW				2

NEEDLE DRIVE COMPONENTS (2)(FOR LH-4168-7,4188-7)

No.	Parts No.	Parts name	Remarks	Level	Cons	Qty
1	40015905	ND_ROD_B				2
2	SB30800150A	BEARING	SELECTIVE PARTS			2
3	SB30800150B	BEARING	SELECTIVE PARTS			2
4	SB30800150C	BEARING	SELECTIVE PARTS			2
5	SB30800150D	BEARING	SELECTIVE PARTS			2
6	SM8050412TP	SCREW M5 L=4				4
7	40015906	ND_ROD_C				2
8	SB30800150A	BEARING	SELECTIVE PARTS			4
9	SB30800150B	BEARING	SELECTIVE PARTS			4
10	SB30800150C	BEARING	SELECTIVE PARTS			4
11	SB30800150D	BEARING	SELECTIVE PARTS			4
12	40015915	ND_PIN_COVER_C				4
13	SM8050412TP	SCREW M5 L=4				4
14	40040369	ND_PIN_E				2
15	40015911	ND_PIN_LID_SCREW				4
16	40015910	ND_PIN_D				2
17	11517307	PLUG				2
18	40015916	ASSY_ND_CRANK_R				1
19	40015917	ND_CRANK_R		*		1
20	40015918	ND_CRANK_BUSH		*		2
21	SB30800150A	BEARING	SELECTIVE PARTS			2
22	SB30800150B	BEARING	SELECTIVE PARTS			2
23	SB30800150C	BEARING	SELECTIVE PARTS			2
24	SB30800150D	BEARING	SELECTIVE PARTS			2
25	40015915	ND_PIN_COVER_C				2
26	SM6061602TP	SCREW M6 L=16				2
27	WP0651056SH	WASHER 6.5X11X1				2
28	40015919	ASSY_ND_CRANK_L				1
29	40015920	ND_CRANK_L		*		1
30	40015918	ND_CRANK_BUSH		*		2
31	SB30800150A	BEARING	SELECTIVE PARTS			2
32	SB30800150B	BEARING	SELECTIVE PARTS			2
33	SB30800150C	BEARING	SELECTIVE PARTS			2
34	SB30800150D	BEARING	SELECTIVE PARTS			2
35	40015915	ND_PIN_COVER_C				2
36	40015921	ND_SHAFT_L				1
37	40015922	ND_SHAFT_R				1
38	40015923	ND_SHAFT_BUSH_F				1
39	40015924	ND_SHAFT_BUSH_M				1
40	40015925	ND_SHAFT_BUSH_R				1
41	RC1850001KP	SNAP RING 18.5				1
42	TA0950806R0	RUBBER PLUG				1
43	CS2001181TP	THRUST COLLAR D=20 W=11				1
44	SM80606A2TP	SCREW M6 L=6				2
45	CS2501081TP	THRUST COLLAR D=25 W=10				2
46	SM8050412TP	SCREW M5 L=4				4
47	SM8050612TP	SCREW M5X6				1

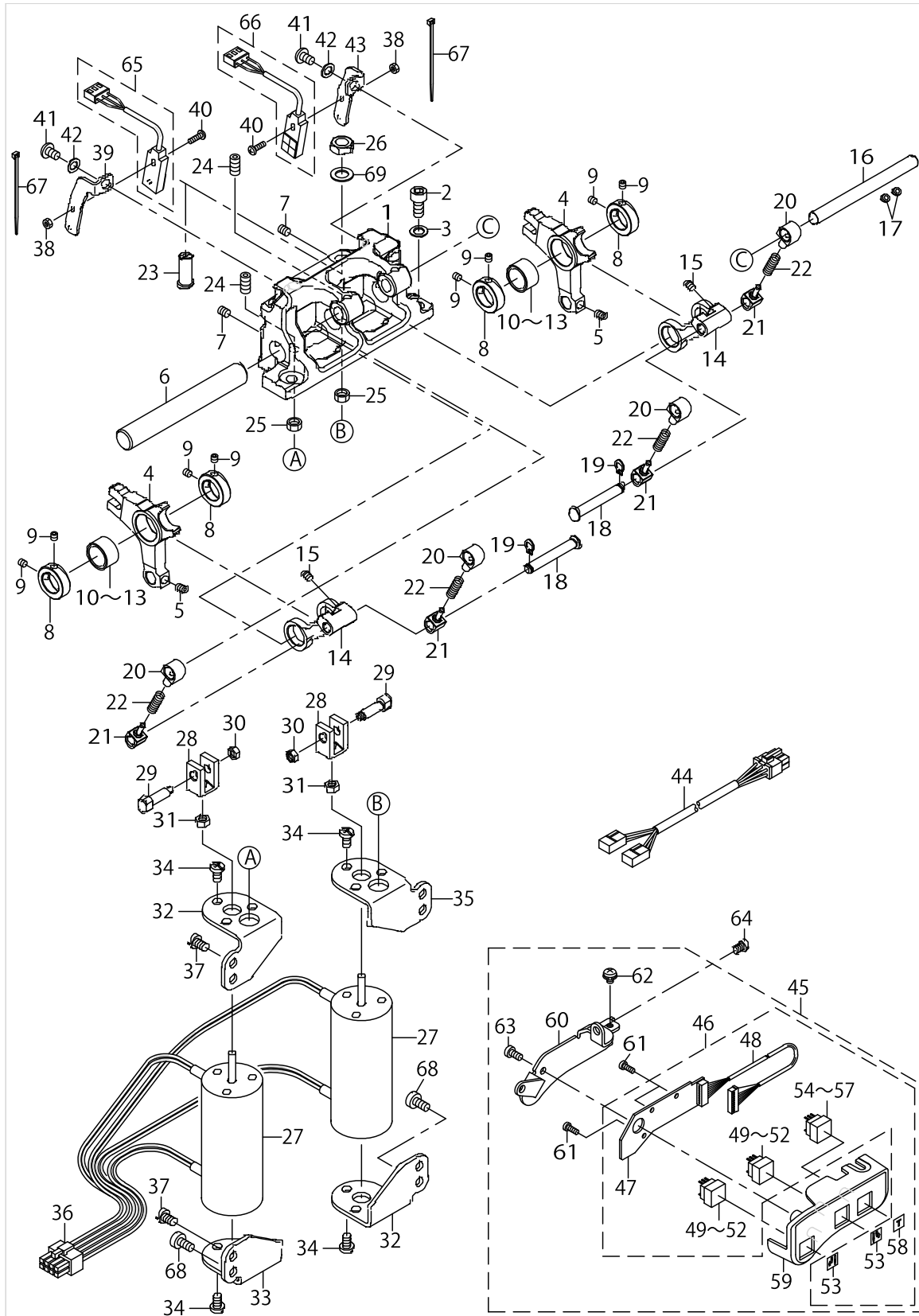
NEEDLE DRIVE COMPONENTS (2)(FOR LH-4168-7,4188-7)



NEEDLE DRIVE COMPONENTS (2)(FOR LH-4168-7,4188-7)

No.	Parts No.	Parts name	Remarks	Level	Cons	Qty
48	40015909	ND_PIN_C				2

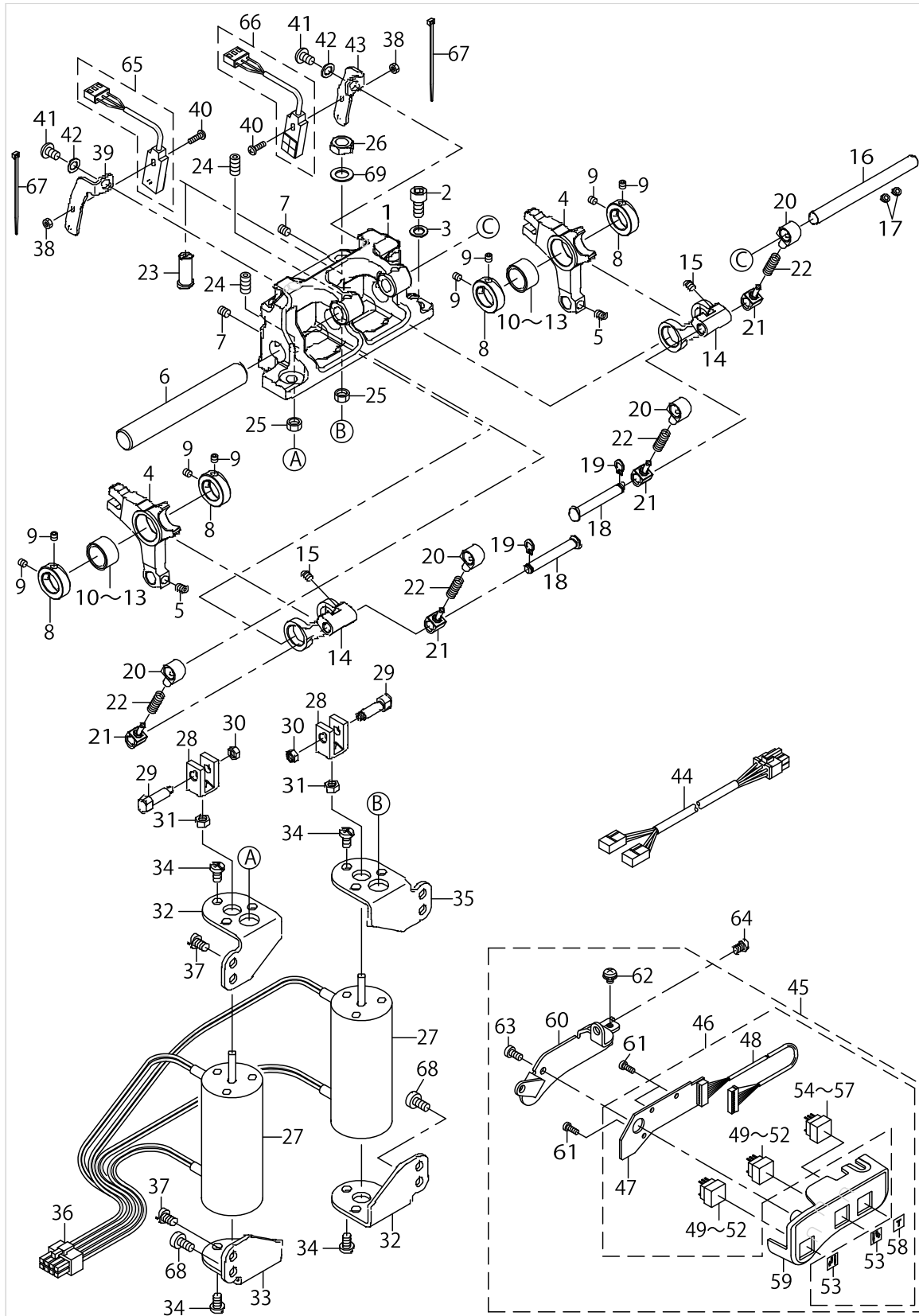
NEEDLE CHANGE COMPONENTS (FOR LH-4168-7,4188-7)



NEEDLE CHANGE COMPONENTS (FOR LH-4168-7,4188-7)

No.	Parts No.	Parts name	Remarks	Level	Cons	Qty
1	40015928	NC_SHAFT_BASE				1
2	SM6061202TP	SCREW M6 L=12				2
3	WP0651056SH	WASHER 6.5X11X1				2
4	40021648	ND_CHANGE_LEVER_COMP				2
5	SM8050612TP	SCREW M5X6				2
6	40015929	NC_SHAFT				1
7	SM8050612TP	SCREW M5X6				2
8	CS1400781TP	THRUST COLLAR D=14 W=7				4
9	SM8040412TP	SET SCREW M4 L=4				8
10	SB31400010A	BEARING	SELECTIVE PARTS			2
11	SB31400010B	BEARING	SELECTIVE PARTS			2
12	SB31400010C	BEARING	SELECTIVE PARTS			2
13	SB31400010D	BEARING	SELECTIVE PARTS			2
14	40010892	GUIDE_PIN_BASE_COMP				2
15	SM8040612TP	SCREW M4 L=6				4
16	40015932	SPRING_GUIDE_SHAFT				1
17	SM8050412TP	SCREW M5 L=4				2
18	40015933	SPRING_GUIDE_PIN				2
19	RC0560711KP	RETAINING RING				2
20	40015934	SPRING_GUIDE_A				4
21	40015935	SPRING_GUIDE_B				4
22	40015936	CHANGE_SPRING				4
23	40015937	NC_STOPPER				2
24	SS8661222TP	SCREW 1/4-40 L=12				2
25	NS6660430SP	NUT 1/4-40				2
26	NM6510515SP	NUT M8X0.75 H=5				2
27	40015943	NC_SOLENOID				2
28	40015938	SOLENOID_NAKKLE				2
29	40015939	SOLENOID_NAKKLE_PIN				2
30	NM6040001SC	NUT M4				2
31	NM6050001SC	NUT M5				2
32	40015940	SOLENOID_PLATE_A				2
33	40015941	SOLENOID_PLATE_B				1
34	SM4050855SP	SCREW				12
35	40015942	SOLENOID_PLATE_C				1
36	HK034610080	HOUSING 8P				1
37	SM6050800SP	SCREW M5 L=8				6
38	NM6030001SC	NUT M3				2
39	40015945	PROXIMITY_SWITCH_BASE_R				1
40	SM4031001SE	SCREW M3X0.5 L=10				2
41	SM4050855SP	SCREW				2
42	WP0520656SA	WASHER 5.2X9.5X0.6				2
43	40015944	PROXIMITY_SWITCH_BASE_L				1
44	40029565	NEEDLE_SENSOR_CORD				1
45	40039615	ASSY_NC_SWITCH				1
46	40042814	SW PCB ASM.		*		1
47	40042815	SW PCB		*		1

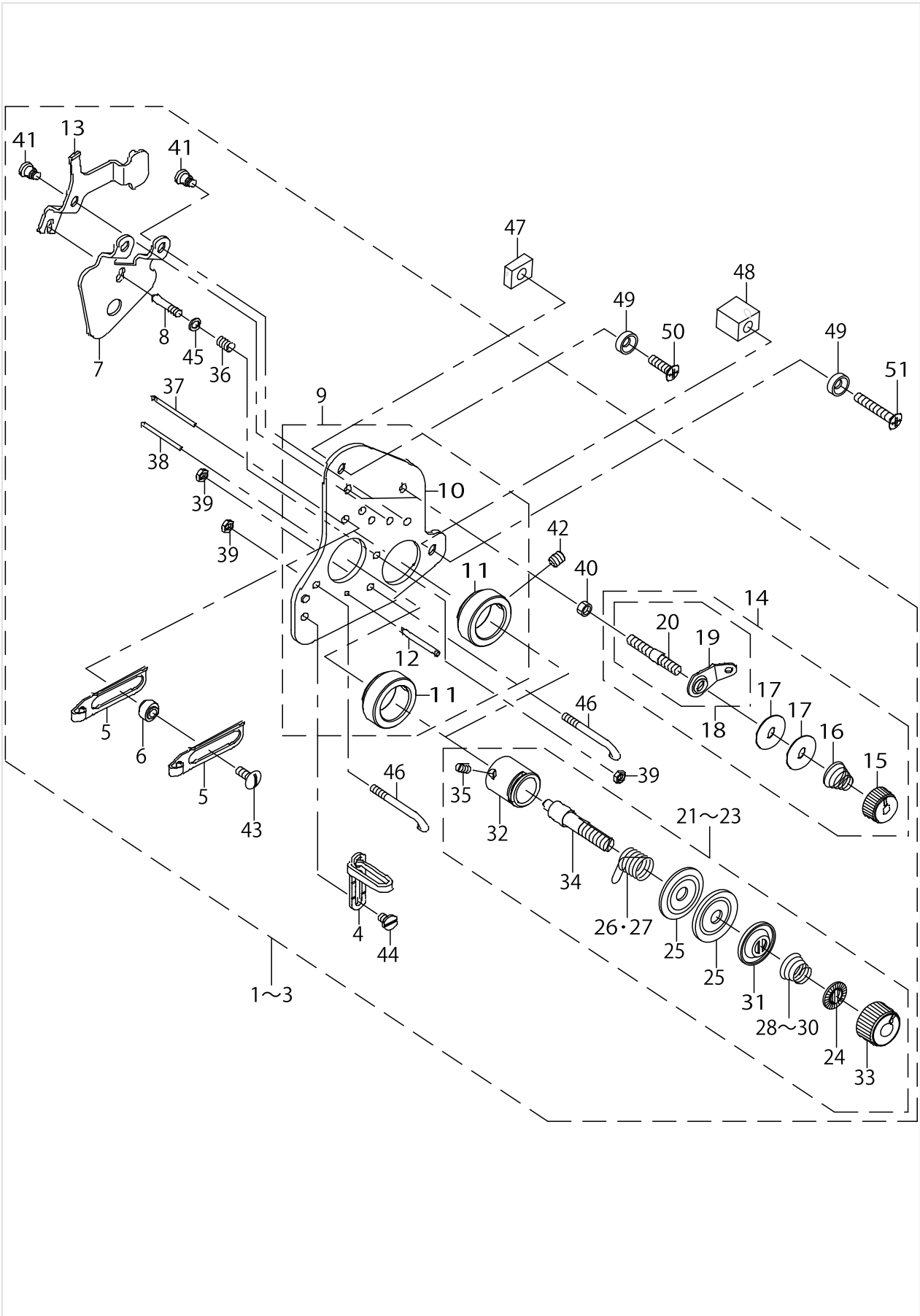
NEEDLE CHANGE COMPONENTS (FOR LH-4168-7,4188-7)



NEEDLE CHANGE COMPONENTS (FOR LH-4168-7,4188-7)

No.	Parts No.	Parts name	Remarks	Level	Cons	Qty
48	40042821	SW RELAY CORD ASM.		*		1
49	HA00264001B	SWITCH		*		2
50	HA00264004B	SWITCH		*		2
51	HA002640050	SWITCH		*		2
52	HA002640030	SWITCH		*		2
53	40022638	SHEET_N		*		2
54	HA002640010	SWITCH (GREEN)		*		1
55	HA002640040	SWITCH		*		1
56	HA002640050	SWITCH		*		1
57	HA002640030	SWITCH		*		1
58	40022637	SHEET_T		*		1
59	40038727	HOLDER_COVER		*		1
60	40038743	NC_SWITCH_HOLDER		*		1
61	ST4030851SN	SCREW		*		3
62	ST4040851SN	TAPPING SCREW M4X8		*		1
63	SL4040691SC	SCREW M4 L=6		*		1
64	SM4040655SP	SCREW M4 L=6				2
65	40005378	FEED SENSOR ASSY				1
66	40005379	CLAMP SENSOR ASSY				1
67	EA9500B0100	CABLE BAND				2
68	SM6051000SP	SCREW				2
69	B255728000A	WASHER FOR DRIVING ARM				2

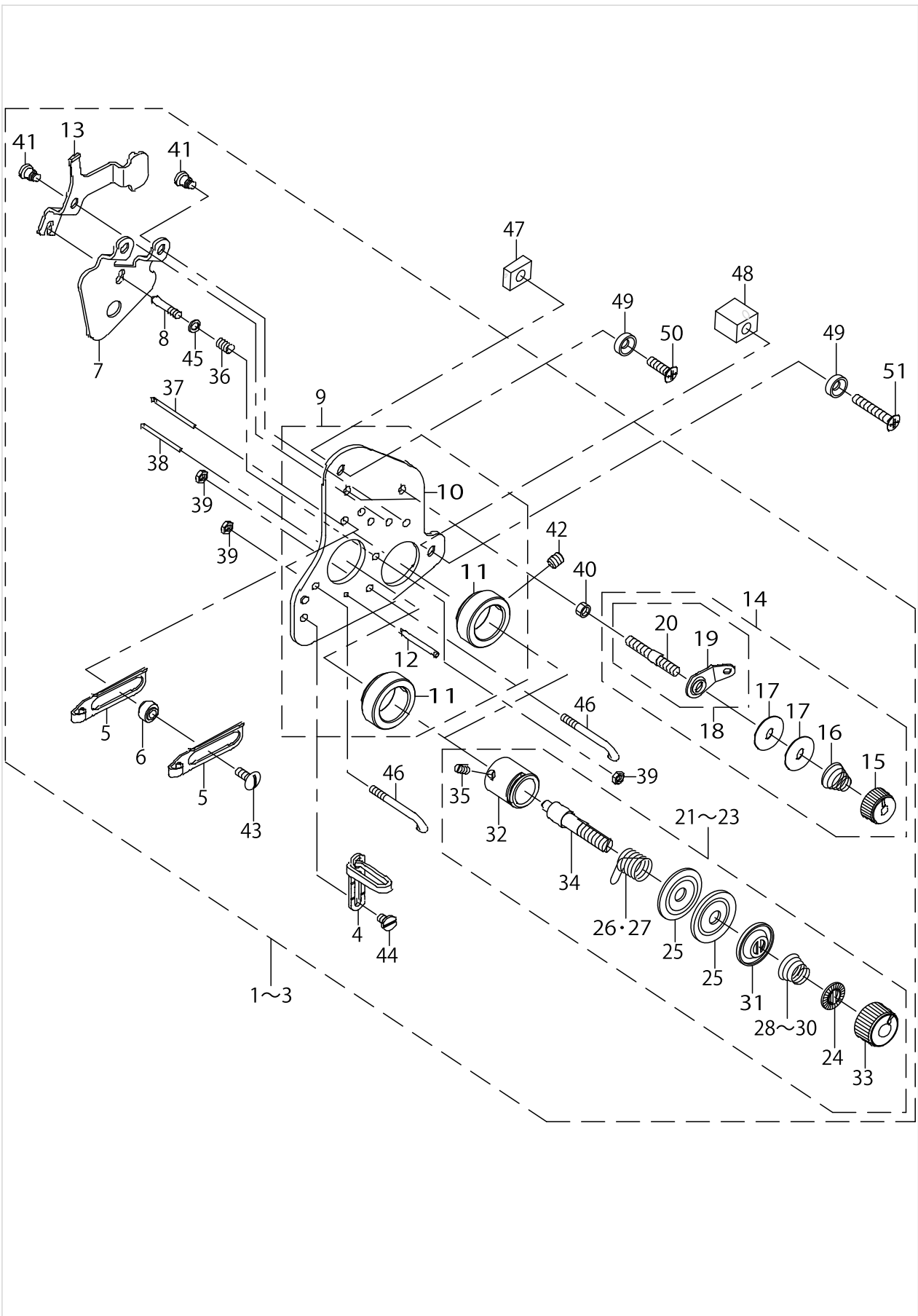
TENSION POST COMPONENTS (1)(FOR LH-4128,4128-7,4168-7)



TENSION POST COMPONENTS (1)(FOR LH-4128,4128-7,4168-7)

No.	Parts No.	Parts name	Remarks	Level	Cons	Qty
1	40025156	COMP_THREAD_TENSION	TYPE S			1
2	40025158	COMP_THREAD_TENSION_G	TYPE G			1
3	40025157	COMP_THREAD_TENSION_F	TYPE F			1
4	22811301	THREAD GUIDE(UPPER), RIGHT		*		1
5	23203201	TAKE-UP THREAD GUIDE		*		2
6	23203300	THREAD GUIDE COLLAR		*		2
7	40015698	DISK_RELEASE_PLATE		*		1
8	40015699	SPRING_GUIDE		*		1
9	40015701	ASSY_TENSION_BASE_PLATE		*		1
10	40015696	TENSION_BASE_PLATE		*		1
11	40015697	THREAD_TENSION_BASE		*		2
12	40022463	THREAD_GUIDE_PIN		*		1
13	40016008	RELEASE_LEVER		*		1
14	40022427	ASSY_THREAD_TENSION_A		*		2
15	22945703	THREAD TENSION NUT		*		1
16	22945505	THREAD TENSION SPRING		*		1
17	B3214047000	BOBBIN WINDER TENSION DISC		*		2
18	22529473	BOBBIN THREAD TENSION ROD ASM.		*		1
19	22529408	BOBBIN THREAD GUIDE		*		1
20	22529515	BOBBIN THREAD TENSION ROD		*		1
21	40025159	ASSY_THREAD_TENSION	TYPE S	*		2
22	40025161	ASSY_THREAD_TENSION_G	TYPE G	*		2
23	40025160	ASSY_THREAD_TENSION_F	TYPE F	*		2
24	22921407	ROTATION STOPPER		*		1
25	22921506	THREAD TENSION DISK		*		2
26	22921605	THREAD TAKE-UP SPRING	TYPE S,G	*	☆	1
27	D3128555D00	TAKE-UP SPRING	TYPE F	*	☆	1
28	22921704	THREAD TENSION SPRING, A	TYPE S	*		1
29	22962005	THREAD TENSION SPRING	TYPE G	*		1
30	D3129555D00	THREAD TENSION SPRING	TYPE F	*		1
31	22921803	DISK STOPPER		*		1
32	22945307	THREAD TENSION POST BASE		*		1
33	23626005	THREAD TENSION NUT		*		1
34	40025162	THREAD_TENSION_POST		*		1
35	SS8090670SP	SCREW 9/64-40 L=5.5		*		1
36	B2428771000	PRESSER PLATE ADJUSTING SPRING		*		1
37	B3118415000	TENSION RELEASE PIN		*		1
38	B3118552C00	TENSION RELEASE PIN C		*		1
39	NS6080210SP	NUT 1/8-44		*		3
40	NS6110310SP	NUT 11/64-40		*		2
41	SD0470316TP	SHOULDER SCREW D=4.7 H=3.1		*		3
42	SM8050612TP	SCREW M5X6		*		2
43	SS5091020SP	SCREW 9/64-40 L=9.5		*		2
44	SS6090520SP	SCREW 9/64-40 L=5.0		*		1
45	WP0350516SD	WASHER 3.5X6X0.5		*		1
46	40049219	THREAD_GUIDE		*		2
47	40016349	PLATE_SPACER_A				1

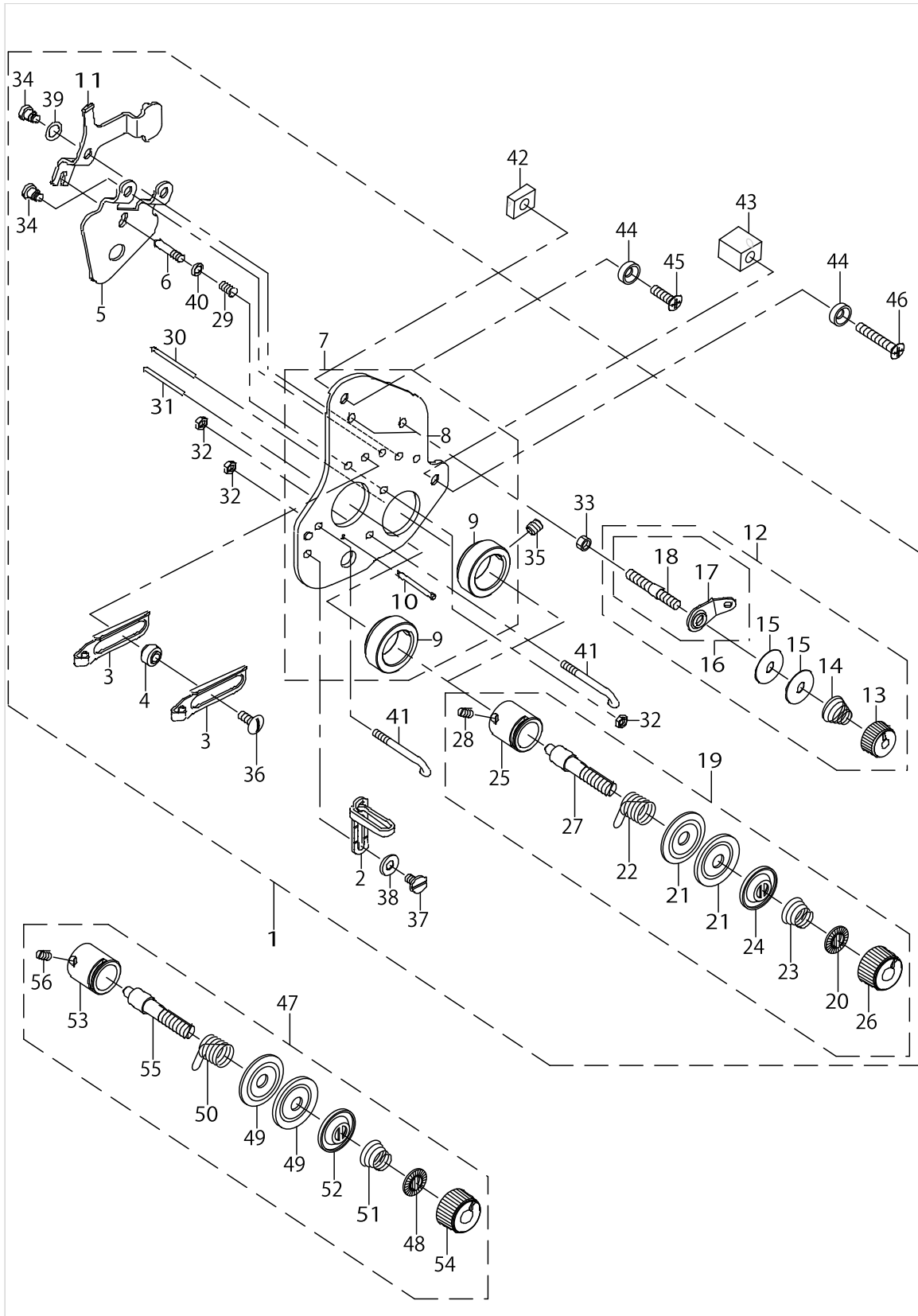
TENSION POST COMPONENTS (1)(FOR LH-4128,4128-7,4168-7)



TENSION POST COMPONENTS (1)(FOR LH-4128,4128-7,4168-7)

No.	Parts No.	Parts name	Remarks	Level	Cons	Qty
48	40016350	PLATE_SPACER_B				1
49	40016351	PLATE_SPACER_UPPER				2
50	SM1041401SN	SCREW M4X0.7 L=14				1
51	SM1042501SP	SCREW M4X0.7 L=25				1

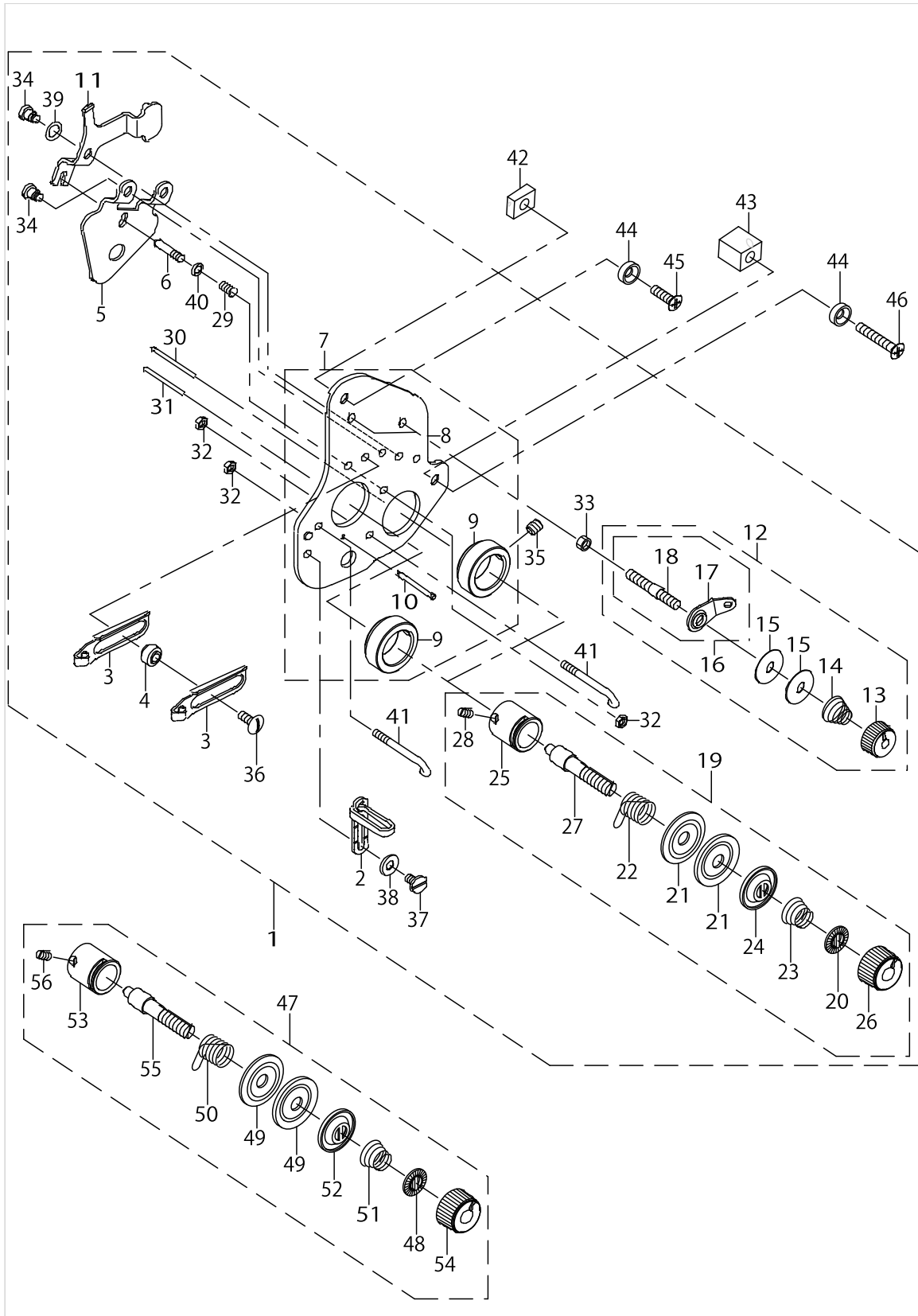
TENSION POST COMPONENTS (2)(FOR LH-4188-7)



TENSION POST COMPONENTS (2)(FOR LH-4188-7)

No.	Parts No.	Parts name	Remarks	Level	Cons	Qty
1	40027867	COMP_THREAD_TENSION_88	TYPE S(OPTIONAL PARTS)			1
2	22811301	THREAD GUIDE(UPPER), RIGHT		*		1
3	23203201	TAKE-UP THREAD GUIDE		*		2
4	23203300	THREAD GUIDE COLLAR		*		2
5	40015698	DISK_RELEASE_PLATE		*		1
6	40015699	SPRING_GUIDE		*		1
7	40027866	ASSY_TENSION_BASE_88		*		1
8	40027865	TENSION_BASE_PLATE_88		*		1
9	40015697	THREAD_TENSION_BASE		*		2
10	40022463	THREAD_GUIDE_PIN		*		1
11	40016008	RELEASE_LEVER		*		1
12	40022427	ASSY_THREAD_TENSION_A		*		2
13	22945703	THREAD TENSION NUT		*		1
14	22945505	THREAD TENSION SPRING		*		1
15	B3214047000	BOBBIN WINDER TENSION DISC		*		2
16	22529473	BOBBIN THREAD TENSION ROD ASM.		*		1
17	22529408	BOBBIN THREAD GUIDE		*		1
18	22529515	BOBBIN THREAD TENSION ROD		*		1
19	40025161	ASSY_THREAD_TENSION_G		*		2
20	22921407	ROTATION STOPPER		*		1
21	22921506	THREAD TENSION DISK		*		2
22	22921605	THREAD TAKE-UP SPRING		*	☆	1
23	22962005	THREAD TENSION SPRING		*		1
24	22921803	DISK STOPPER		*		1
25	22945307	THREAD TENSION POST BASE		*		1
26	23626005	THREAD TENSION NUT		*		1
27	40025162	THREAD_TENSION_POST		*		1
28	SS8090670SP	SCREW 9/64-40 L=5.5		*		1
29	B2428771000	PRESSER PLATE ADJUSTING SPRING		*		1
30	B3118415000	TENSION RELEASE PIN		*		1
31	B3118552C00	TENSION RELEASE PIN C		*		1
32	NS6080210SP	NUT 1/8-44		*		3
33	NS6110310SP	NUT 11/64-40		*		2
34	SD0470316TP	SHOULDER SCREW D=4.7 H=3.1		*		3
35	SM8050612TP	SCREW M5X6		*		2
36	SS5091020SP	SCREW 9/64-40 L=9.5		*		2
37	SS6090630TP	SCREW 9/64-40 L=6		*		1
38	WP0450801SP	WASHER		*		1
39	RO060150100	RUBBER RING		*		1
40	WP0350516SD	WASHER 3.5X6X0.5		*		1
41	40049219	THREAD_GUIDE		*		2
42	40016349	PLATE_SPACER_A				1
43	40016350	PLATE_SPACER_B				1
44	40016351	PLATE_SPACER_UPPER				2
45	SM1041401SN	SCREW M4X0.7 L=14				1
46	SM1042501SP	SCREW M4X0.7 L=25				1
47	40025159	ASSY_THREAD_TENSION	TYPE S(OPTIONAL PARTS)			2

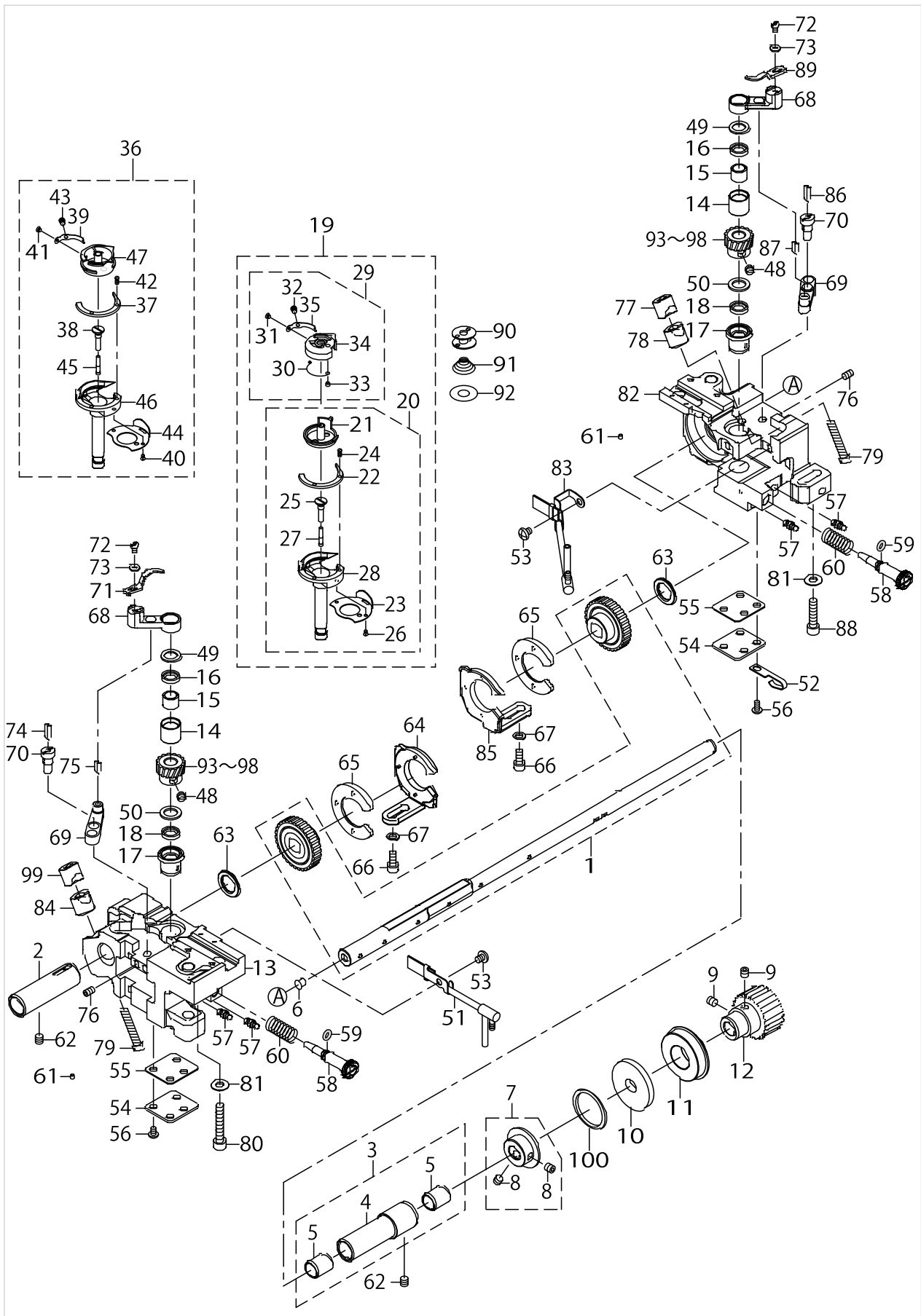
TENSION POST COMPONENTS (2)(FOR LH-4188-7)



TENSION POST COMPONENTS (2)(FOR LH-4188-7)

No.	Parts No.	Parts name	Remarks	Level	Cons	Qty
48	22921407	ROTATION STOPPER		*		1
49	22921506	THREAD TENSION DISK		*		2
50	22921605	THREAD TAKE-UP SPRING		*	☆	1
51	22962005	THREAD TENSION SPRING		*		1
52	22921803	DISK STOPPER		*		1
53	22945307	THREAD TENSION POST BASE		*		1
54	23626005	THREAD TENSION NUT		*		1
55	40025162	THREAD_TENSION_POST		*		1
56	SS8090670SP	SCREW 9/64-40 L=5.5		*		1

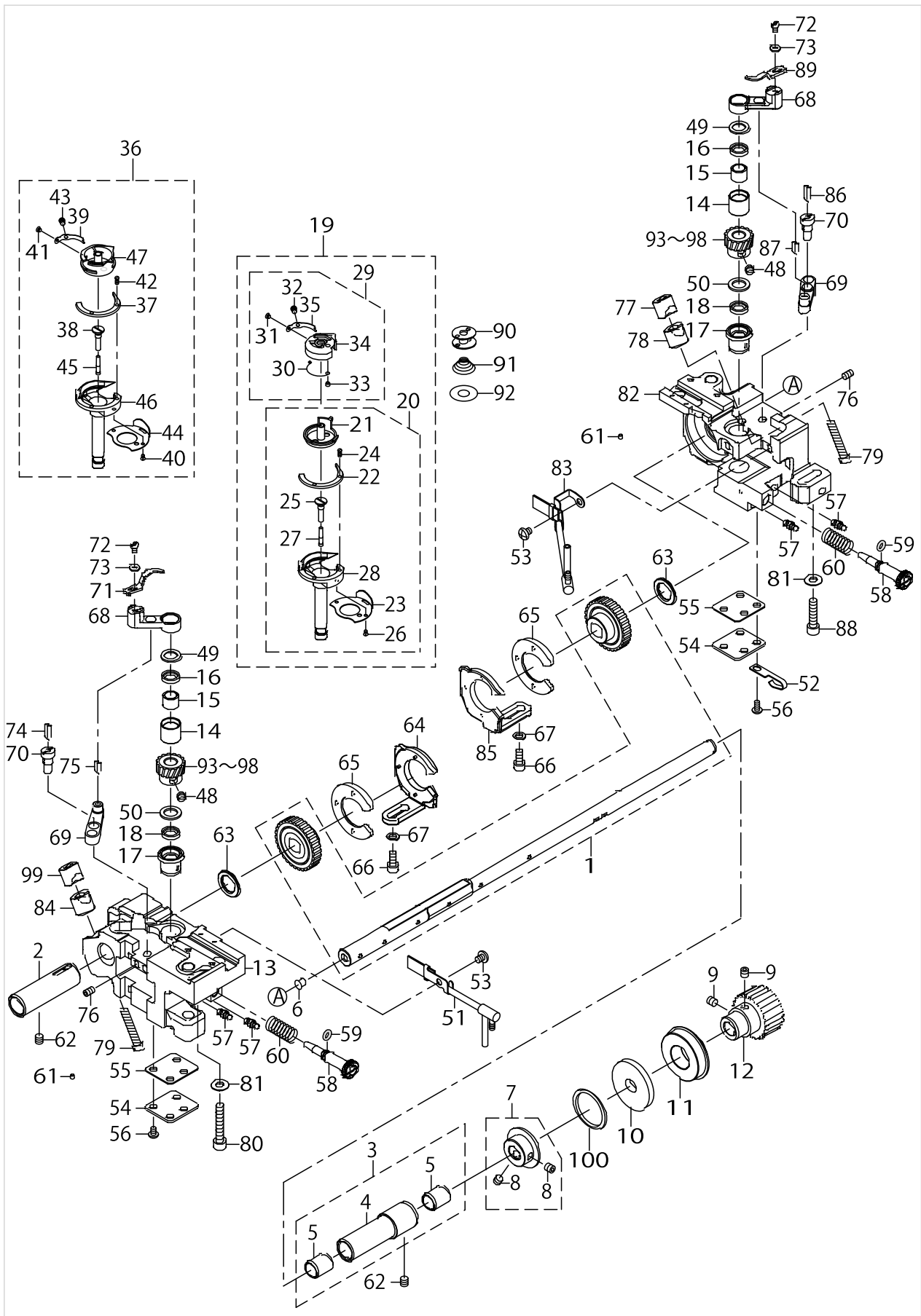
HOOK & HOOK DRIVING SHAFT COMPONENTS (1)(FOR LH-4128,4128-7,4168-7)



HOOK & HOOK DRIVING SHAFT COMPONENTS (1)(FOR LH-4128,4128-7,4168-7)

No.	Parts No.	Parts name	Remarks	Level	Cons	Qty
1	40062318	ASSY_LOWER_SHAFT				1
2	40020547	LOWER_SHAFT_BUSH-F				1
3	40017576	ASSY-LOWER_SHAFT_BUSH-M				1
4	40017577	LOWER_SHAFT_BUSH-M		*		1
5	40017578	INNER_BUSH		*		2
6	TA1550902R0	PLUG				1
7	40031351	ASSY_LOWER_SHAFT_COLLAR				1
8	SM80606A2TP	SCREW M6 L=6		*		2
9	SM80606A2TP	SCREW M6 L=6				2
10	23618804	OIL SEAL				1
11	SB120001000	BEARING				1
12	40017115	LOWER_SPROCKET				1
13	40021235	HOOK_SHAFT_BASE-L				1
14	40013039	HOOK_UPPER_BUSH				2
15	SB30953010A	NEEDLE BEARING 9.525X9.52				2
16	B1631850000	OIL SEAL				2
17	40013040	HOOK_LOWER_BUSH				2
18	B1631850000	OIL SEAL				2
19	40025164	COMP-CAP_HOOK	FOR LH-4168-7		☆	2
20	40059893	ASSY_OUTER_HOOK		*		1
21	40013783	CAP_INNERHOOK		*		1
22	40013784	HOOK_GIB		*		1
23	40021053	NEEDLE_POSITIONER		*		1
24	10112803	SCREW		*		2
25	40012085	OIL_PLUG		*		1
26	10112902	SCREW		*		2
27	11015906	OIL WICK		*		1
28	40013777	OUTER_HOOK(E)		*		1
29	40060555	ASSY_BOBBIN_CASE		*		1
30	22688204	SPRING		*		1
31	10110500	TENSION SPRING INSTALLING SCRE		*		1
32	22612907	TENSION ADJUSTING SCREW		*		1
33	SS6560150SH	SCREW 3/32-80 L=1.3		*		1
34	40019224	BOBBIN_CASE		*		1
35	22688501	TENSION ADJUSTING SPRING		*		1
36	40013786	ASSY-RATCH_HOOK	FOR LH-4128,4128-7		☆	2
37	40013784	HOOK_GIB		*		1
38	40012085	OIL_PLUG		*		1
39	22612402	BOBBIN CASE TENSION SPRING		*		1
40	10112902	SCREW		*		2
41	10110500	TENSION SPRING INSTALLING SCRE		*		1
42	10112803	SCREW		*		2
43	10110609	TENSION ADJUSTING SCREW		*		1
44	40021053	NEEDLE_POSITIONER		*		1
45	11015906	OIL WICK		*		1
46	40013777	OUTER_HOOK(E)		*		1
47	40013782	RATCH_INNERHOOK		*		1

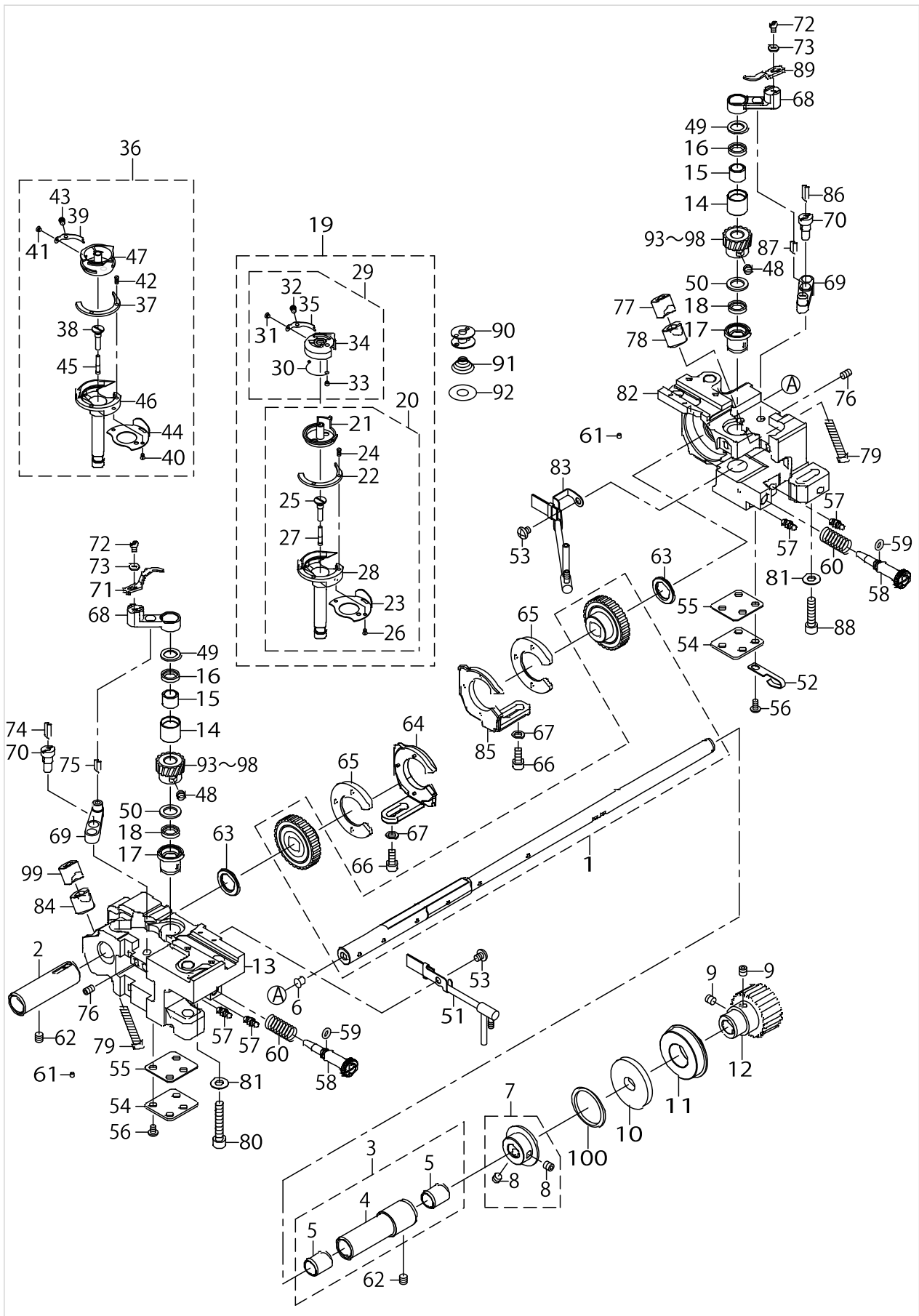
HOOK & HOOK DRIVING SHAFT COMPONENTS (1)(FOR LH-4128,4128-7,4168-7)



HOOK & HOOK DRIVING SHAFT COMPONENTS (1)(FOR LH-4128,4128-7,4168-7)

No.	Parts No.	Parts name	Remarks	Level	Cons	Qty
48	SM8060550TP	SCREW M6 L=4.5				6
49	10111201	THRUST WASHER, F				2
50	40054979	GEAR_THRUST_WASHER				2
51	40062402	ASSY_GEAR_OIL_WICK-L				1
52	26230409	LUBRICATING OIL WICK STOPPER				1
53	SM4050655SP	SCREW M5 L=6				2
54	40022589	BOTTOM_COVER				2
55	40022590	BOTTOM_COVER_GASKET				2
56	SM4050855SP	SCREW				8
57	SQ2050453MZ	CONNECTING SCREW				4
58	40016748	OIL_ADJUSTING_SCREW				2
59	RO044240100	RUBBER RING				2
60	E3029715000	CHUCK SPRING Z				2
61	TA0290301M0	PLUG				12
62	SM80606A2TP	SCREW M6 L=6				2
63	40011009	GEAR_SPACER-A				2
64	40025354	ASSY-GEAR HOLDER-L				1
65	40025353	GEAR_SPACER-B				2
66	SM6051202TP	SCREW M5X0.8 L=12				4
67	WP0550800SP	WASHER 5.5X10X0.8				4
68	40012301	INNERHOOK_GUIDE_ARM				2
69	23202104	INNER HOOK GUIDE LINK				2
70	23202302	INNER HOOK GUIDE ARM SHAFT				2
71	40012302	INNERHOOK_GUIDE-L				1
72	SM67506A0TP	SCREW M3.5 L=6				2
73	WP0371016SD	WASHER 3.7X8X1				2
74	CQ303000000	OIL WICK				0.03
75	CQ303000000	OIL WICK				0.02
76	SM8050812TP	SCREW M5X8				2
77	10109908	SADDLE INSTALLING BLOCK, UPPER				1
78	10112407	SADDLE INSTALLING BLOCK, LOWER				1
79	SS6153040SP	SCREW 15/64-28 L=30				2
80	SM6063502TP	SCREW M6 L=35				1
81	WP0621046SP	WASHER				2
82	40021236	HOOK_SHAFT_BASE-R				1
83	40062403	ASSY_GEAR_OIL_WICK-R				1
84	40032310	SADDLE_INSTALLING_BLOCK				1
85	40025355	ASSY-GEAR HOLDER-R				1
86	CQ303000000	OIL WICK				0.03
87	CQ303000000	OIL WICK				0.02
88	SM6062502TP	SCREW M6 L=25				1
89	40012304	INNERHOOK_GUIDE-R				1
90	10210805	HARD ALUMITE BOBBIN				2
91	10111508	SPRING	FOR LH-4128-7,4168-7,4188-7			2
92	22653802	SHEET	FOR LH-4128-7,4168-7,4188-7			2
93	40028560	HOOK_SHAFT_GEAR-A	SELECTIVE PARTS			1
94	40028561	HOOK_SHAFT_GEAR-B	SELECTIVE PARTS			1

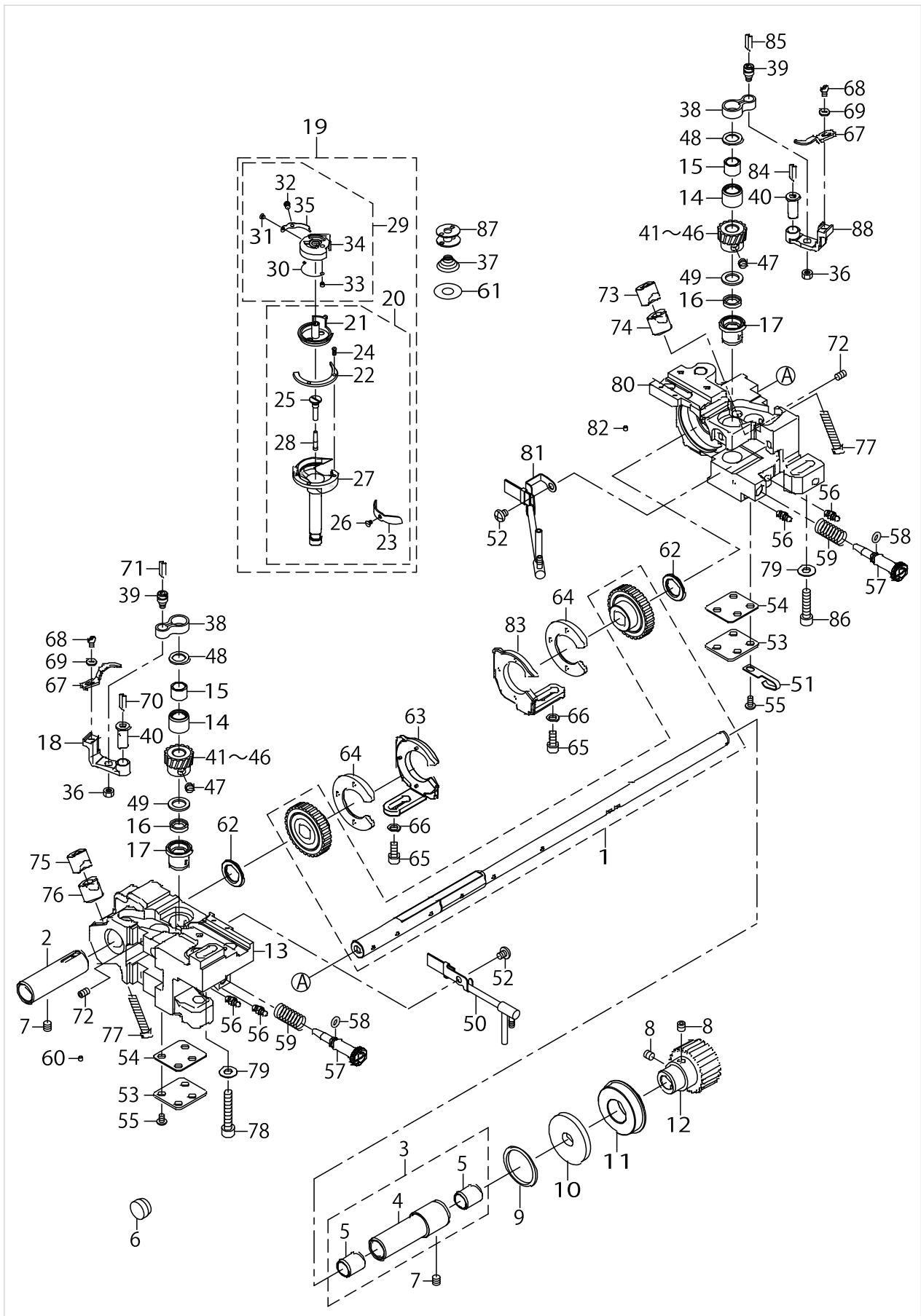
HOOK & HOOK DRIVING SHAFT COMPONENTS (1)(FOR LH-4128,4128-7,4168-7)



HOOK & HOOK DRIVING SHAFT COMPONENTS (1)(FOR LH-4128,4128-7,4168-7)

No.	Parts No.	Parts name	Remarks	Level	Cons	Qty
95	40028562	HOOK_SHAFT_GEAR-C	SELECTIVE PARTS			1
96	40028563	HOOK_SHAFT_GEAR-D	SELECTIVE PARTS			1
97	40040549	HOOK_SHAFT_GEAR-E	SELECTIVE PARTS			1
98	40040550	HOOK_SHAFT_GEAR-F	SELECTIVE PARTS			1
99	40032309	SADDLE_INSTALLING_BLOCK				1
100	40013061	THRUST_WASHER				1

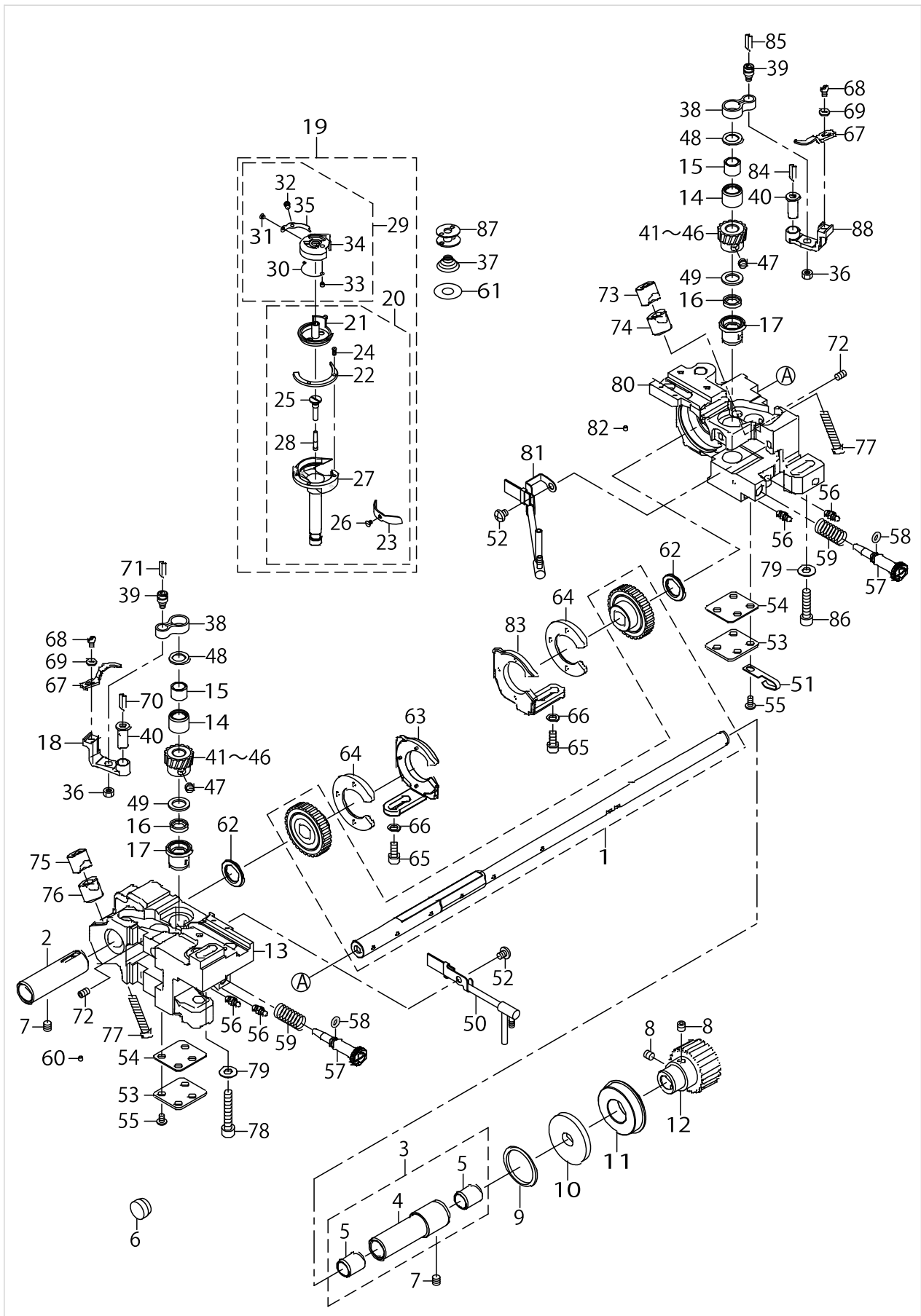
HOOK & HOOK DRIVING SHAFT COMPONENTS (2)(FOR LH-4188-7)



HOOK & HOOK DRIVING SHAFT COMPONENTS (2)(FOR LH-4188-7)

No.	Parts No.	Parts name	Remarks	Level	Cons	Qty
1	40062318	ASSY_LOWER_SHAFT				1
2	40020547	LOWER_SHAFT_BUSH-F				1
3	40017576	ASSY-LOWER_SHAFT_BUSH-M				1
4	40017577	LOWER_SHAFT_BUSH-M		*		1
5	40017578	INNER_BUSH		*		2
6	TA1550902R0	PLUG				1
7	SM80606A2TP	SCREW M6 L=6				2
8	SM80606A2TP	SCREW M6 L=6				2
9	40013061	THRUST_WASHER				1
10	23618804	OIL SEAL				1
11	SB120001000	BEARING				1
12	40017115	LOWER_SPROCKET				1
13	40019213	L-HOOKSHAFT_BASE_L				1
14	40049436	ASSY_HOOK_UPPER_BUSH_88				2
15	SB30953010A	NEEDLE BEARING 9.525X9.52				2
16	B1631850000	OIL SEAL				2
17	40013040	HOOK_LOWER_BUSH				2
18	40043311	OPENER_LEVER_CRANK_L				1
19	40018976	ASSY-LARGE_HOOK			☆	2
20	40059894	ASSY_OUTER_HOOK(L)		*		1
21	40034303	CAP_INNERHOOK		*		1
22	40018978	HOOK_GIB		*		1
23	22813703	NEEDLE POSITIONER		*		1
24	10112803	SCREW		*		2
25	40012085	OIL_PLUG		*		1
26	22814008	SCREW		*		1
27	40018977	OUTER_HOOK(L)		*		1
28	11015906	OIL WICK		*		1
29	22827257	BOBBIN CASE ASM.		*		1
30	22827307	SPRING		*		1
31	10110500	TENSION SPRING INSTALLING SCRE		*		1
32	10110609	TENSION ADJUSTING SCREW		*		1
33	SS6560150SH	SCREW 3/32-80 L=1.3		*		1
34	22827208	BOBBIN CASE		*		1
35	22827406	SPRING(0.3)		*		1
36	NS6110420SP	NUT 11/64-40				2
37	10111508	SPRING				2
38	22813000	BOBBIN CASE OPENING LEVER LINK				2
39	B1821051000	CRANK SCREW STUD				2
40	B1823051000	OPENING LEVER CRANK PIN				2
41	40028560	HOOK_SHAFT_GEAR-A	SELECTIVE PARTS			1
42	40028561	HOOK_SHAFT_GEAR-B	SELECTIVE PARTS			1
43	40028562	HOOK_SHAFT_GEAR-C	SELECTIVE PARTS			1
44	40028563	HOOK_SHAFT_GEAR-D	SELECTIVE PARTS			1
45	40040549	HOOK_SHAFT_GEAR-E	SELECTIVE PARTS			1
46	40040550	HOOK_SHAFT_GEAR-F	SELECTIVE PARTS			1
47	SM8060550TP	SCREW M6 L=4.5				6

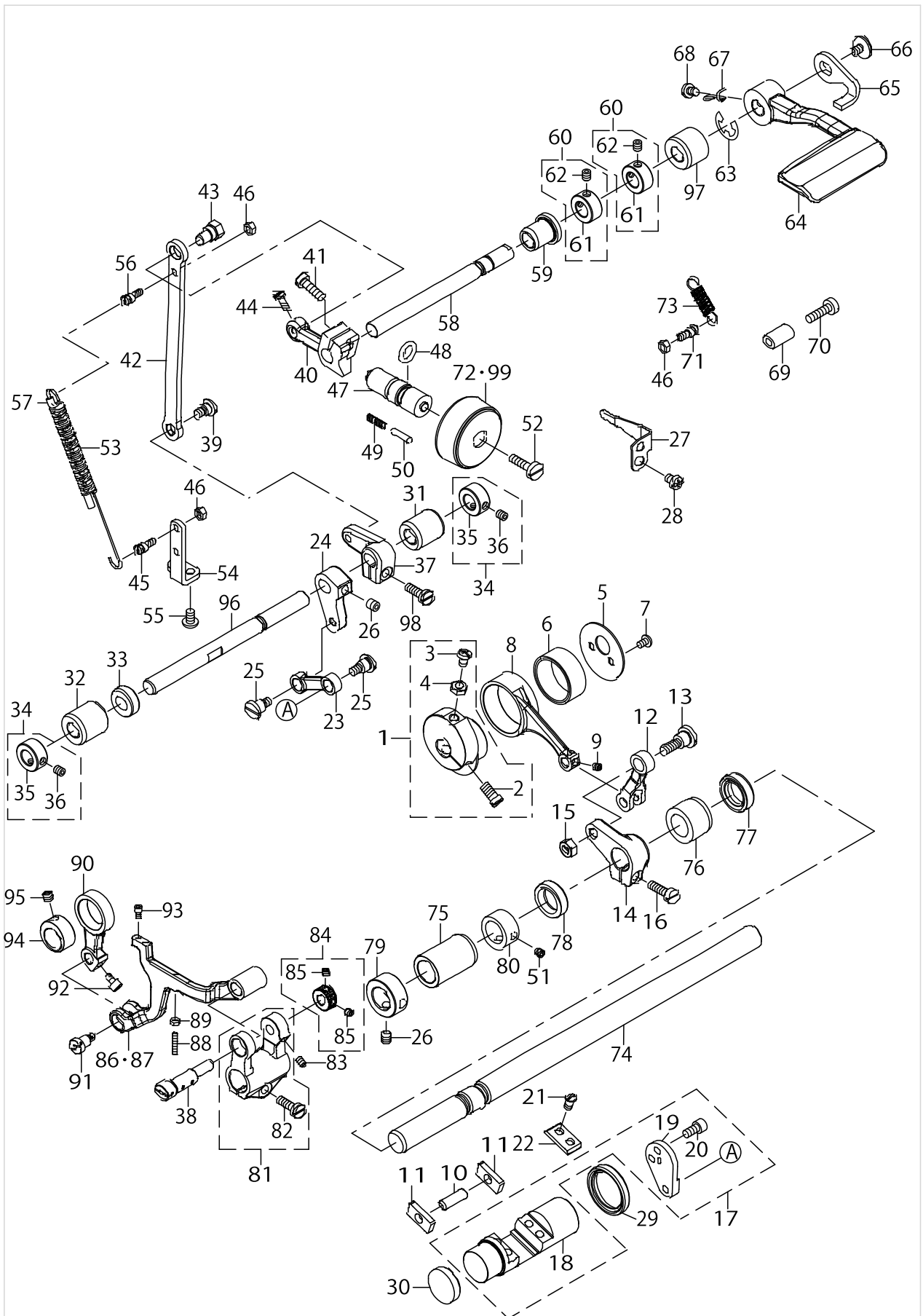
HOOK & HOOK DRIVING SHAFT COMPONENTS (2)(FOR LH-4188-7)



HOOK & HOOK DRIVING SHAFT COMPONENTS (2)(FOR LH-4188-7)

No.	Parts No.	Parts name	Remarks	Level	Cons	Qty
48	10111201	THRUST WASHER, F				2
49	40054979	GEAR_THRUST_WASHER				2
50	40062402	ASSY_GEAR_OIL_WICK-L				1
51	26230409	LUBRICATING OIL WICK STOPPER				1
52	SM4050655SP	SCREW M5 L=6				2
53	40022589	BOTTOM_COVER				2
54	40022590	BOTTOM_COVER_GASKET				2
55	SM4050855SP	SCREW				8
56	SQ2050453MZ	CONNECTING SCREW				4
57	40016748	OIL_ADJUSTING_SCREW				2
58	RO044240100	RUBBER RING				2
59	E3029715000	CHUCK SPRING Z				2
60	TA0290301M0	PLUG				6
61	22819809	SHEET				2
62	40011009	GEAR_SPACER-A				2
63	40025354	ASSY-GEAR HOLDER-L				1
64	40025353	GEAR_SPACER-B				2
65	SM6051202TP	SCREW M5X0.8 L=12				4
66	WP0550800SP	WASHER 5.5X10X0.8				4
67	40052837	OPENING LEVER				2
68	SM67506A0TP	SCREW M3.5 L=6				2
69	WP0371016SD	WASHER 3.7X8X1				2
70	CQ303000000	OIL WICK				0.03
71	CQ303000000	OIL WICK				0.02
72	SM8050812TP	SCREW M5X8				2
73	10109908	SADDLE INSTALLING BLOCK, UPPER				1
74	10112407	SADDLE INSTALLING BLOCK, LOWER				1
75	40032309	SCREW 15/64-28 L=30				1
76	40032310	SCREW M6 L=35				1
77	SS6153040SP	WASHER				2
78	SM6063502TP	SCREW M6 L=35				1
79	WP0621046SP	GEAR_COVER-R				2
80	40019214	L-HOOKSHAFT_BASE-R				1
81	40062403	ASSY_GEAR_OIL_WICK-R				1
82	TA0290301M0	PLUG				6
83	40025355	ASSY-GEAR HOLDER-R				1
84	CQ303000000	OIL WICK				0.03
85	CQ303000000	OIL WICK				0.02
86	SM6062502TP	SCREW M6 L=25				1
87	10231603	BOBBIN				2
88	40041109	OPENING_LEVER_CRANK_R				1

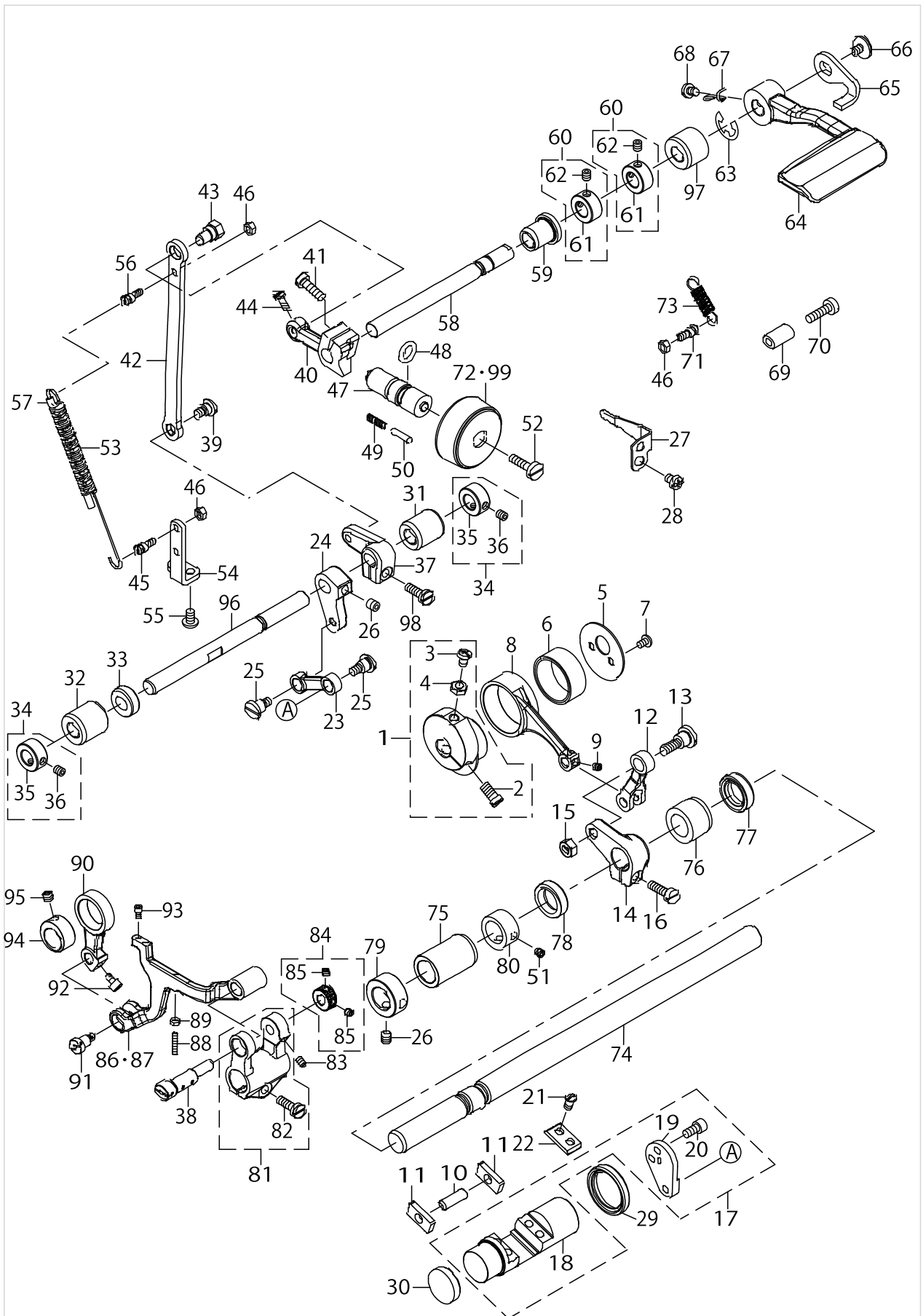
FEED MECHANISM COMPONENTS



FEED MECHANISM COMPONENTS

No.	Parts No.	Parts name	Remarks	Level	Cons	Qty
1	40031348	ASSY_FD_ECCENTRIC_CAM				1
2	SM6061150TP	SCREW M6 L=11		*		2
3	SM4051255SP	SCREW.,M5 L=12		*		1
4	NM6050001SP	NUT M5		*		1
5	40011906	FD_CAM_LID				1
6	B1636581B00	NEEDLE BEARING B				1
7	SM4040655SP	SCREW M4 L=6				2
8	40011908	FD_CAM_ROD				1
9	SM8040412TP	SET SCREW M4 L=4				1
10	B1653470000	PIN				1
11	22609606	FEED DRIVING ROCKER BLOCK, S				2
12	40011913	FEED_ROCKER_ARM_ROD				1
13	SD0900706TP	SHOULDER SCREW D=9 H=7				1
14	40011914	FEED_ROCKER_ARM				1
15	NM6060001CP	NUT M6				1
16	SM6051600SP	SCREW M5 L=16				1
17	40025302	ASSY-FEED_ADJUSTING				1
18	40011909	FEED_ADJUSTING		*		1
19	40011917	FEED_ADJUSTING_ARM		*		1
20	SM6051002TP	SCREW M5X0.8 L=10		*		2
21	SM7050850TP	SCREW M5 L=8				4
22	40011910	FEED_ADJUSTING_PLATE				2
23	40011918	FEED_ADJUSTING_ARM_LINK				1
24	40011919	FC_SHAFT_ARM_A				1
25	SD0800616TP	SHOULDER SCREW D=8 H=6.1				2
26	SM80606A2TP	SCREW M6 L=6				3
27	40011912	FEED_ADJUSTING_STOPPER				1
28	SM4050655SP	SCREW M5 L=6				2
29	40011868	FEED_ADJUSTING_OIL_SEAL				1
30	40026009	FEED_ADJUSTING_CAP				1
31	23612807	METAL,A				1
32	23612906	METAL,B				1
33	23612609	FEED CHANGING SHAFT OIL SEAL				1
34	40010464	THRUST_COLLAR_ASM.				2
35	40010467	THRUST_COLLAR		*		1
36	40010469	THRUST_COLLAR_SCREW		*		2
37	40011922	FC_SHAFT_ARM_B				1
38	40011932	FEED_BASE_SHAFT				1
39	SD0700406TP	SHOULDER SCREW				1
40	40011923	FEED_REGULATOR				1
41	SM6051600SP	SCREW M5 L=16				1
42	40011924	FEED_REGULATOR_ROD				1
43	23613409	FEED ADJUSTING PIN				1
44	SM6040800SP	SCREW				2
45	40011926	SPRING_HOOK				1
46	NM6040001SC	NUT M4				3
47	22911804	FEED REGULATOR SCREW				1

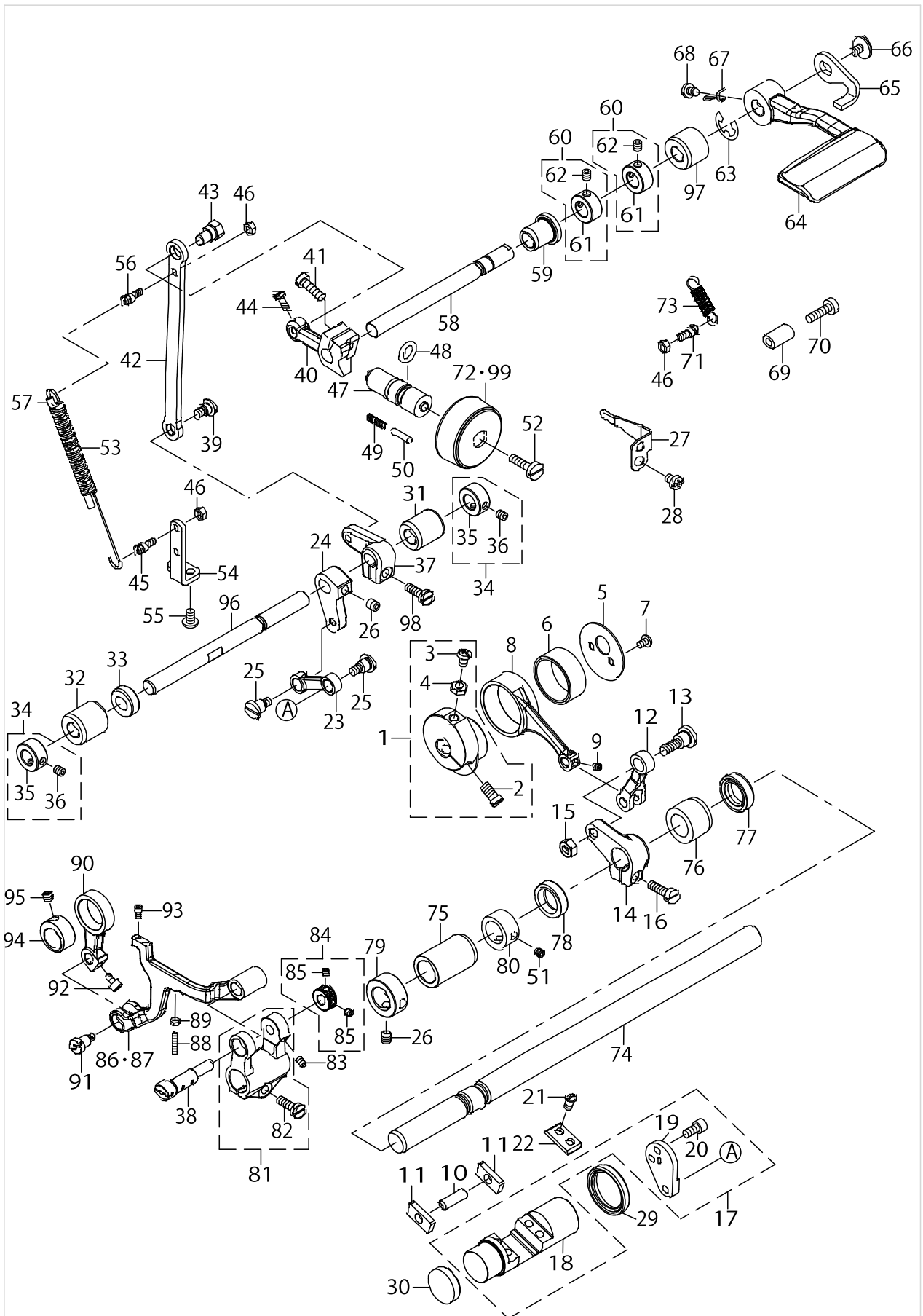
FEED MECHANISM COMPONENTS



FEED MECHANISM COMPONENTS

No.	Parts No.	Parts name	Remarks	Level	Cons	Qty
48	RO092270200	RUBBER RING				1
49	22912109	FEED REGULATOR PIN SPRING				1
50	22912000	FEED REGULATOR PIN				1
51	SM8050412TP	SCREW M5 L=4				2
52	SS6121860SP	SCREW 3/16-28 L=18				1
53	40025315	FEED_ADJUST_SPRING				1
54	40015950	SPRING_HOOK_PLATE				1
55	SM40508555SP	SCREW				2
56	40011926	SPRING_HOOK				1
57	23630007	TUBE				0.08
58	40015947	FEED_REGULATOR_SHAFT				1
59	40013549	RVS_FEED_SHAFT_BUSH_F				1
60	40010464	THRUST_COLLAR_ASM				2
61	40010467	THRUST_COLLAR		*		1
62	40010469	THRUST_COLLAR_SCREW		*		2
63	RE0900000K0	E-RING 9				1
64	40016677	REVERSE_FEED_LEVER				1
65	40015949	REVERSE_FEED_LINK				1
66	SM6050650TP	SCREW M5 L=6				1
67	22656003	SPRING SUSPENSION				1
68	SM40506555SP	SCREW M5 L=6				1
69	22952501	BACK LEVER STOPPER				1
70	SM6051850TP	SCREW M5 L=18				1
71	40011926	SPRING_HOOK				1
72	22940506	FEED DIAL	TYPE F			1
73	26226209	SPRING				1
74	40011916	FEED_ROCKER_SHAFT				1
75	40011939	FEED_SHAFT_BUSH_F				1
76	40011940	FEED_SHAFT_BUSH_R				1
77	40013362	FEED_SHAFT_OIL_SEAL_A				1
78	40025316	FEED_SHAFT_OIL_SEAL_B				1
79	CS1501171TP	THRUST COLLAR D=15 W=11				1
80	CS1501181TP	THRUST COLLAR D=15 W=11				1
81	40031349	ASSY_FEED_BASE_ARM				1
82	SM6051400SP	SCREW		*		1
83	SM8040612TP	SCREW M4 L=6				1
84	40031350	ASSY_FEED_BASE_SHAFT_COLLAR				1
85	SM8040412TP	SET SCREW M4 L=4		*		2
86	40011946	FEED_BASE	FOR LH-4128			1
87	40011934	FEED_BASE_TRIM	FOR LH-4128-7,4168-7			1
88	SM8031612TP	SET SCREW M3X16				1
89	NM6030001SN	NUT				1
90	40011935	VERTICAL_FEED_LINK				1
91	40011936	VERTICAL_F_LINK_SHAFT				1
92	SM6750690TP	SCREW M3.5 L=6				1
93	SM6030672TP	SCREW M3 L=6			☆	2
94	40015951	VERTICAL_FEED_CAM				1

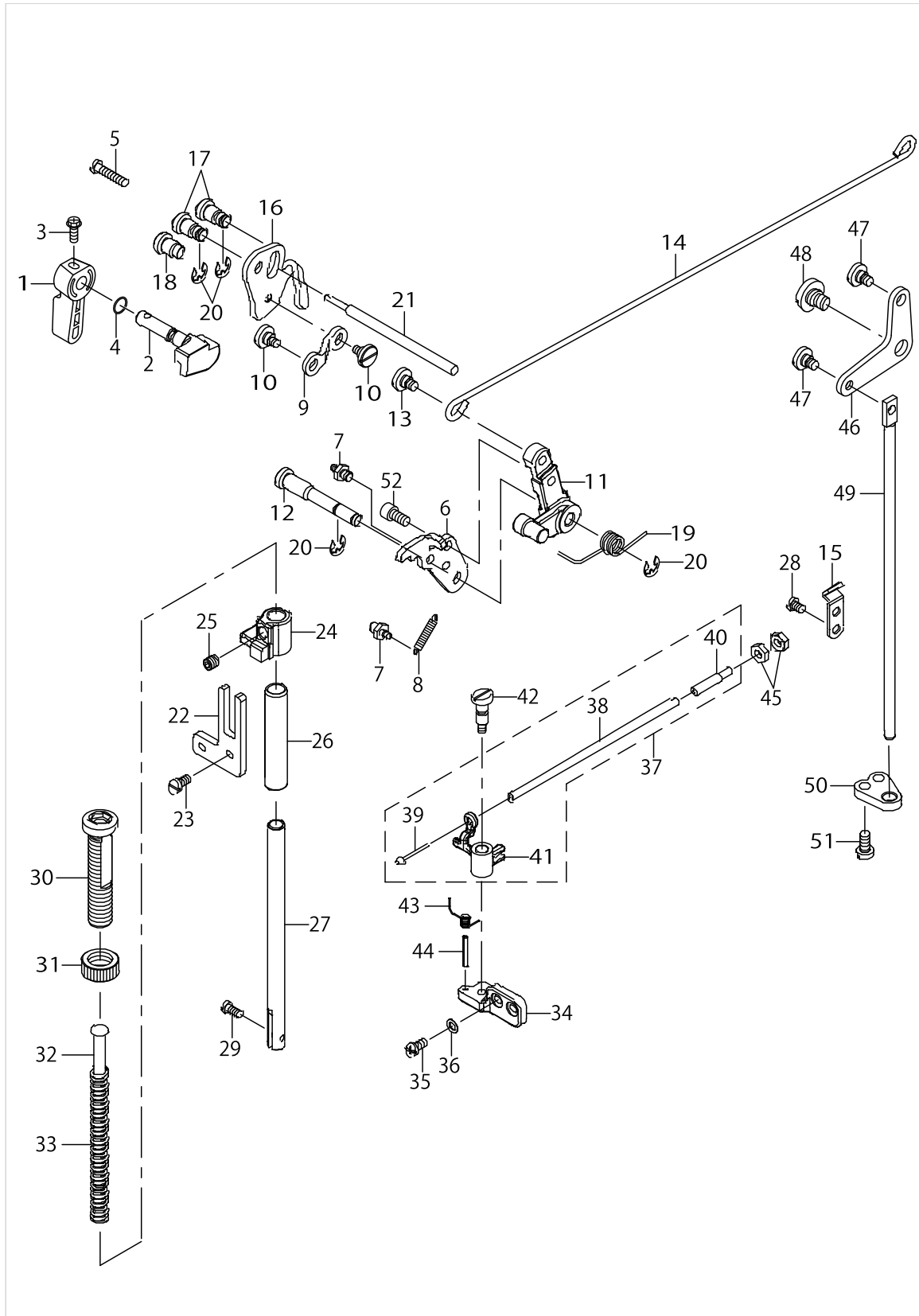
FEED MECHANISM COMPONENTS



FEED MECHANISM COMPONENTS

No.	Parts No.	Parts name	Remarks	Level	Cons	Qty
95	SM8060552TP	SCREW M6 L=5				1
96	40011921	FEED_CHANGE_SHAFT				1
97	40013550	RVS_FEED_SHAFT_BUSH_R				1
98	SM6051400SP	SCREW				1
99	11071909	FEED DIAL	TYPE S,G			1

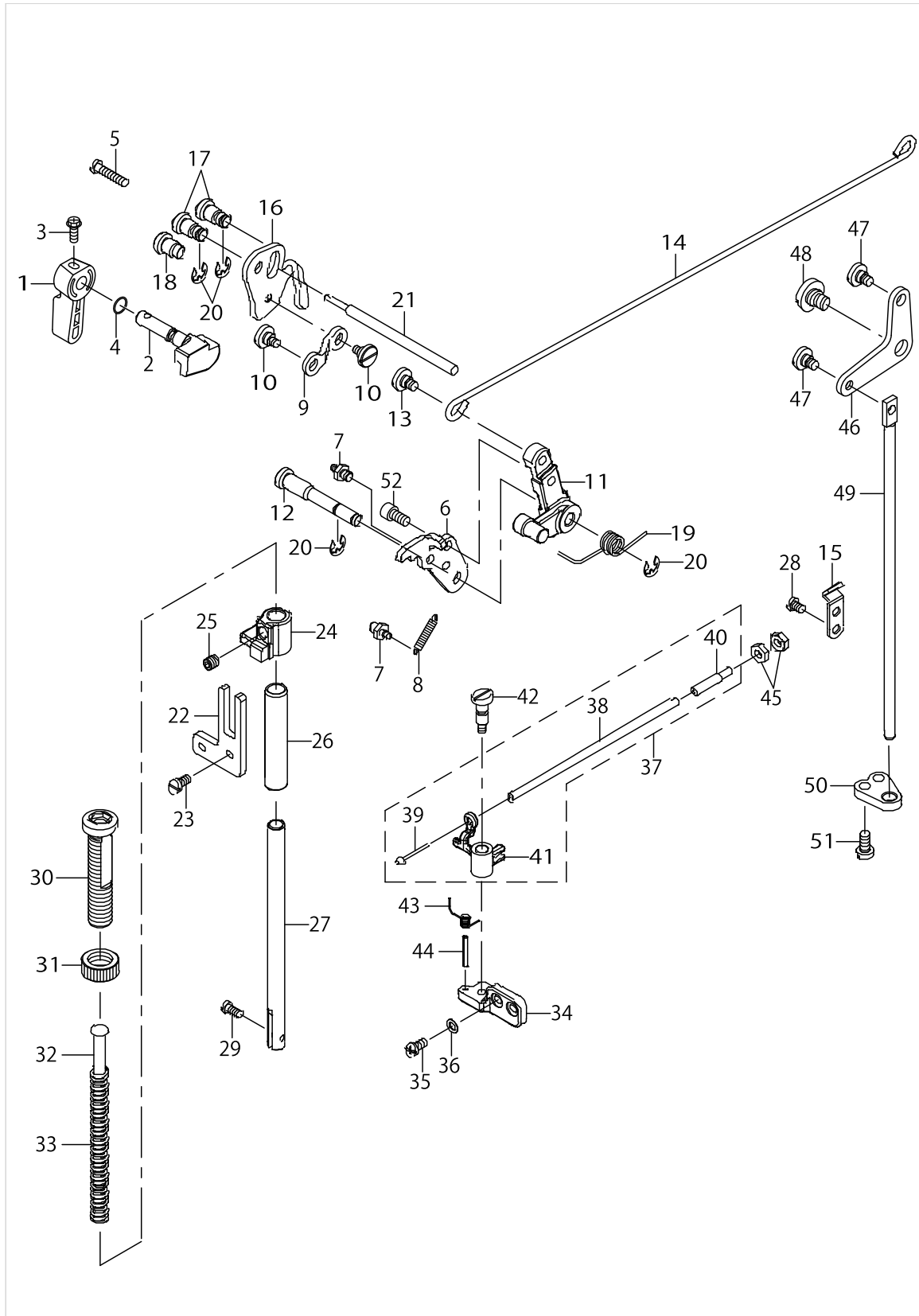
HAND LIFTER & TENSION RELEASE COMPONENTS



HAND LIFTER & TENSION RELEASE COMPONENTS

No.	Parts No.	Parts name	Remarks	Level	Cons	Qty
1	22907802	HAND LIFTER				1
2	40016258	LIFTER_CAM				1
3	B1521555000	SCREW				1
4	RO037180100	RUBBER RING				1
5	SM4042055SP	SCREW				1
6	40016260	LIFTER_LEVER_PLATE				1
7	40016261	SPRING_HOOK				2
8	E1037718000	TENSION PULLEY SPRING				1
9	40014651	CONNECTING_ROD-A				1
10	SD0640356TP	SHOULDER SCREW D=6.35 H=3.5				2
11	40015192	LIFTER_LEVER-A				1
12	40014663	LIFTER_LEVER_A_SHAFT				1
13	SD0640357TP	SHOULDER SCREW				1
14	40014654	CONNECTING_ROD-B				1
15	22944508	WIRE PRESSER A	FOR LH-4128-7,4168-7,4188-7			1
16	40016262	TENSION_RELEASE_LEVER				1
17	40014669	RELEASE_SHAFT				2
18	40014677	RELEASE_SUPPORT_SHAFT				1
19	40015188	LIFTER_RETURN_SPRING				1
20	RE0500000K0	E-RING				4
21	40014680	TENSION_RELEASE_PIN				1
22	40014650	BRACKET_GUIDE				1
23	SM6040800SP	SCREW				2
24	40015190	PRESSER_BAR_GUIDE				1
25	SM80606A2TP	SCREW M6 L=6				1
26	23609001	BUSHING				1
27	B1501581000	PRESSER BAR				1
28	SM4040655SP	SCREW M4 L=6	FOR LH-4128-7,4168-7,4188-7			1
29	SS7090910TP	SCREW 9/64-40 L=8.5				1
30	23609209	PRESSER SPRING REGULATOR				1
31	22907604	PRESSER SPRING REGULATOR NUT				1
32	23610306	PRESSER GUIDE BAR				1
33	22907406	PRESSER SPRING				1
34	40014660	LEVER_BRACKET	FOR LH-4128-7,4168-7,4188-7			1
35	SM4040855SP	SCREW	FOR LH-4128-7,4168-7,4188-7			2
36	WP0450846SP	WASHER	FOR LH-4128-7,4168-7,4188-7			2
37	40022452	ASSY_RELEASE_WIRE	FOR LH-4128-7,4168-7,4188-7			1
38	40022454	RELEASE_WIRE_TUBE		*		1
39	23626302	RELEASE_WIRE		*		1
40	D3159555B00	SET SCREW		*		1
41	40014658	RELEASE_LEVER		*		1
42	SD0601406TP	SHOULDER SCREW D=6 H=14	FOR LH-4128-7,4168-7,4188-7			1
43	40015616	LEVER_RETURN_SPRING	FOR LH-4128-7,4168-7,4188-7			1
44	PS0250182KH	SPRING PIN 2.8X18	FOR LH-4128-7,4168-7,4188-7			1
45	NS6620310SP	NUT 3/16-32	FOR LH-4128-7,4168-7,4188-7			2
46	40016272	LIFTING_LEVER_LINK-B				1
47	SD0640357TP	SHOULDER SCREW				2

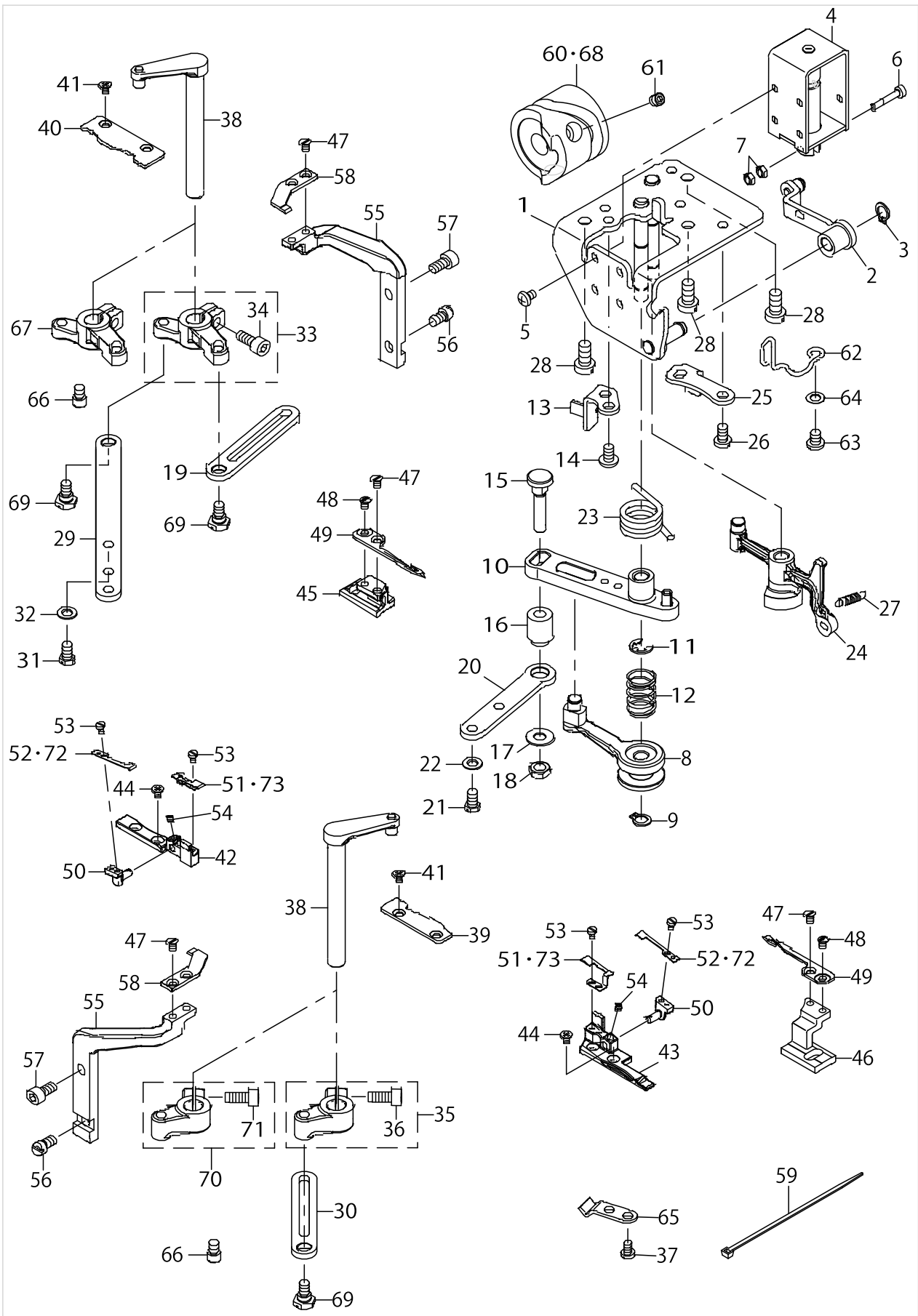
HAND LIFTER & TENSION RELEASE COMPONENTS



HAND LIFTER & TENSION RELEASE COMPONENTS

No.	Parts No.	Parts name	Remarks	Level	Cons	Qty
48	SD0900356TP	SHOULDER SCREW D=9 H=3.5				1
49	40015599	CONNECTING_ROD-VERTICAL				1
50	40015600	CONNECTING_ROD_GUIDE				1
51	SM6051000SP	SCREW				2
52	SM6051002TP	SCREW M5X0.8 L=10	FOR LH-4128			1

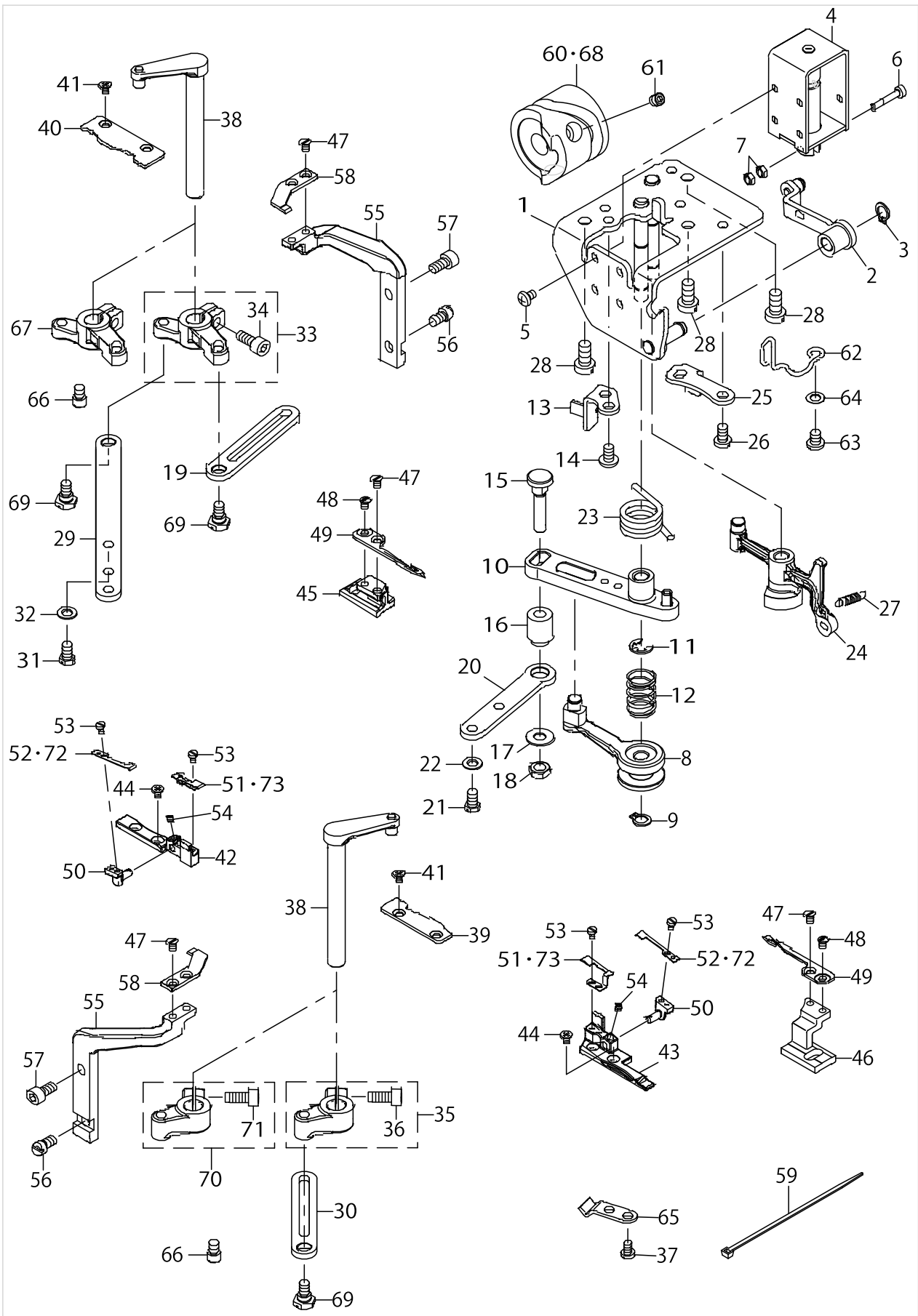
THREAD TRIMMER MECHANISM COMPONENTS (FOR LH-4128-7,4168-7,4188-7)



THREAD TRIMMER MECHANISM COMPONENTS (FOR LH-4128-7,4168-7,4188-7)

No.	Parts No.	Parts name	Remarks	Level	Cons	Qty
1	40017353	ASSY_BASE_PLATE				1
2	40017394	ASSY_TRM_PUSH_LINK				1
3	RC0650811KP	RETAINING RING				1
4	40060514	THREAD_TRIMMER_SOLENOID				1
5	SM4040601SC	SCREW M4X0.7 L=6				4
6	23542418	CLUTCH LINK PIN				1
7	NM6030001SC	NUT M3				2
8	40017399	ASSY_TRM_ROLLER_ARM				1
9	RC0650811KP	RETAINING RING				1
10	11040854	KNIFE DRIVING ARM ASM.				1
11	RE0600000K0	E-RING 6				1
12	40017400	ROLLER_ARM_SPRING				1
13	40017361	TRM_DRIVING_ARM_STOPPER				1
14	SM4050855SP	SCREW				2
15	40017401	TRM_DRIVING_LINK_PIN				1
16	40017402	TRM_DRIVING_LINK_BUSH				1
17	WP0621046SP	WASHER				1
18	NM6060003SC	NUT M6				1
19	40012505	CONNECTING_ROD_B				1
20	40012506	CONNECTING_ROD_C				1
21	SM9050850SP	SCREW				2
22	WP0531000SD	WASHER M5				2
23	40017403	TRM_DRIVING_ARM_SPRING				1
24	40015669	ASSY_THREAD_RELEASE_ARM				1
25	40017362	RELEASE_ARM_STOPPER				1
26	SM4050855SP	SCREW				2
27	11305901	SPRING				1
28	SM6061200SP	SCREW				3
29	40012504	CONNECTING_ROD_A				1
30	40012505	CONNECTING_ROD_B				1
31	SM9050850SP	SCREW				2
32	WP0531000SD	WASHER M5				2
33	40031352	ASSY_KNIFE_DRIVING_ARM_R	FOR LH-4128,4128-7,4168-7			1
34	SM6051202TP	SCREW M5X0.8 L=12		*		1
35	40036446	ASSY_KNIFE_DRIVING_ARM_L	FOR LH-4128,4128-7,4168-7			1
36	SM6051202TP	SCREW M5X0.8 L=12		*		1
37	SM4040655SP	SCREW M4 L=6				2
38	40012497	ASSY_KNIFE_BASE_SHAFT				2
39	40012492	D_KNIFE_BASE_GUIDE_L				1
40	40021883	D_KNIFE_BASE_GUIDE_R				1
41	SM1030501SN	SCREW M3 L=5				4
42	40021899	D_KNIFE_SUPPORT_R				1
43	40021898	D_KNIFE_SUPPORT_L				1
44	SM1030501SN	SCREW M3 L=5				4
45	40012488	DRIVING_KNIFE_BASE_R				1
46	40012487	DRIVING_KNIFE_BASE_L				1
47	SS1090520TP	SCREW 9/64-40 L=5			☆	6

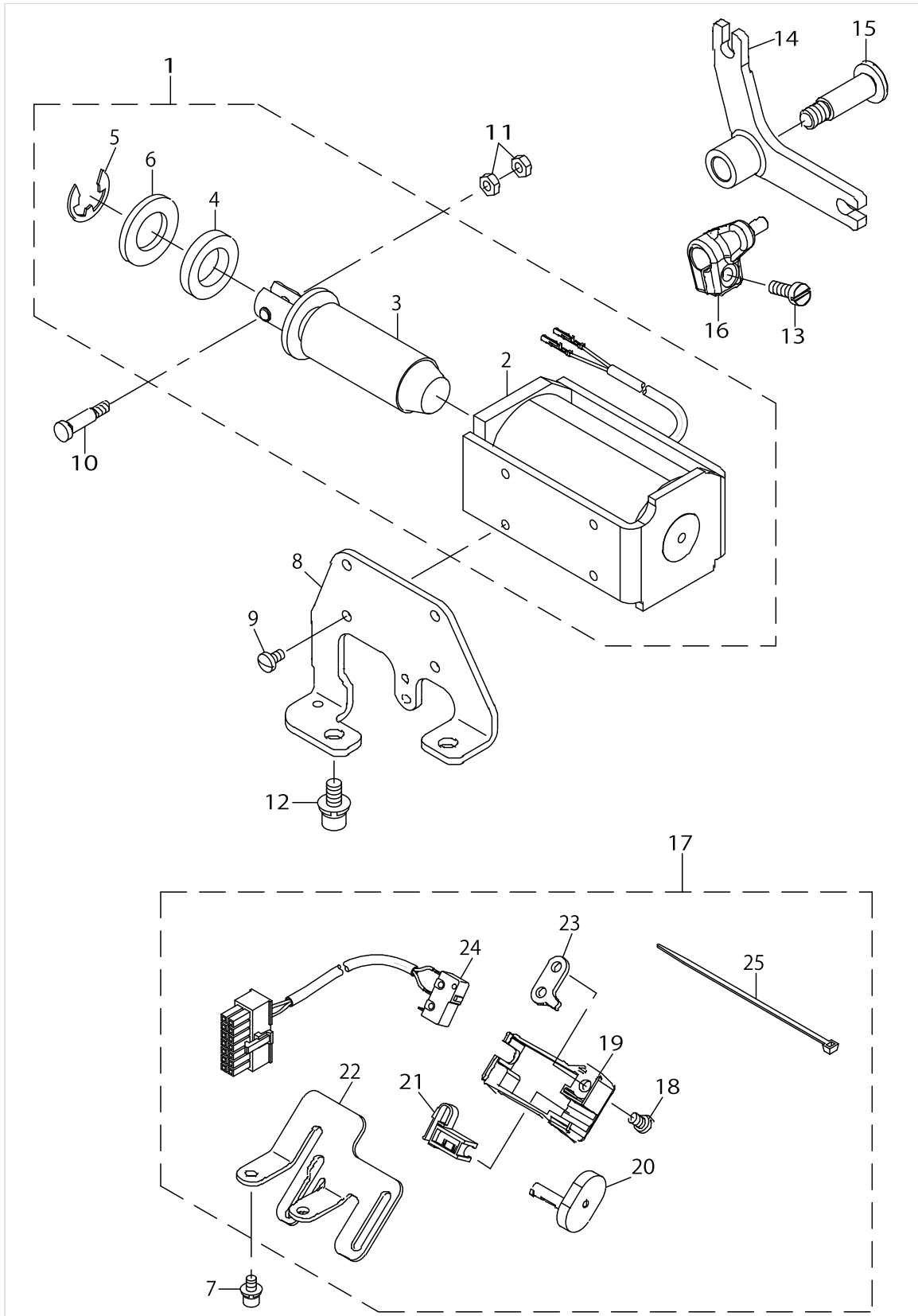
THREAD TRIMMER MECHANISM COMPONENTS (FOR LH-4128-7,4168-7,4188-7)



THREAD TRIMMER MECHANISM COMPONENTS (FOR LH-4128-7,4168-7,4188-7)

No.	Parts No.	Parts name	Remarks	Level	Cons	Qty
48	SS6090580TP	SCREW 9/64-40 L=4.5			☆	2
49	40012403	DRIVING_KNIFE			☆	2
50	40012495	CLAMP_SPRING_BASE				2
51	40044393	CLAMP			☆	2
52	40033160	CLAMP_SPRING			☆	2
53	SM6850400SP	SCREW M2.5 L=4			☆	6
54	SM8030312TP	SCREW M3 L=3				2
55	40012489	FIXED_KNIFE_BASE				2
56	40012496	FIXED_KNIFE_BASE_ADJUST				2
57	SM6051002TP	SCREW M5X0.8 L=10				2
58	40012404	FIXED_KNIFE			☆	2
59	EA9500B0100	CABLE BAND				1
60	40042769	THREAD_TRIMMER_CAM_B	FOR LH-4128,4128-7,4168-7			1
61	SM80606A2TP	SCREW M6 L=6				2
62	40017199	SPRING_HOOK_WIRE				1
63	SM4050655SP	SCREW M5 L=6				1
64	WP0520656SA	WASHER 5.2X9.5X0.6				1
65	22944508	WIRE PRESSER A				2
66	40012503	KNIFE_DRIVING_ARM_PIN				2
67	40021726	KNIFE_DRIVING_ARM_R_LH	FOR LH-4188-7			1
68	40031714	THREAD_TRIMMER_CAM_2	FOR LH-4188-7			1
69	SD0700346TP	SHOULDER SCREW D=7 H=3.4				3
70	40026909	ASSY_KNIFE_DRIVING_ARM_L	FOR LH-4188-7			1
71	SM6051202TP	SCREW M5X0.8 L=12		*		1
72	40076708	CLAMP_SPRING	OPTIONAL PARTS			1
73	40076709	CLAMP	OPTIONAL PARTS			1

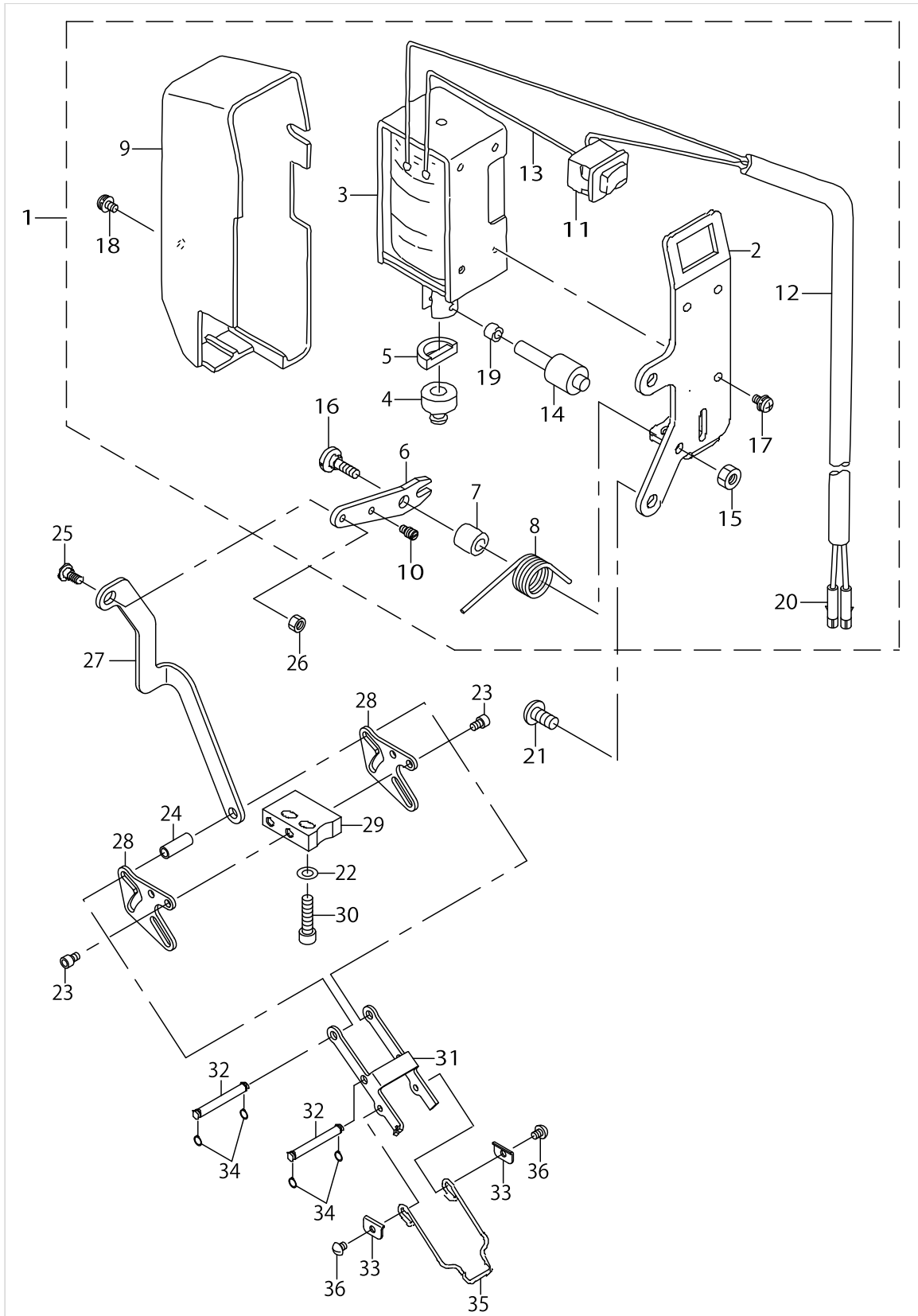
AUTOMATIC REVERSE FEED MECHANISM COMPONENTS



AUTOMATIC REVERSE FEED MECHANISM COMPONENTS

No.	Parts No.	Parts name	Remarks	Level	Cons	Qty
1	40028637	ASSY_REVERSE_FEED_SOL				1
2	40025890	REVERSE_FEED_SOLENOID		*		1
3	23631104	REVERSE FEED SOLENOID PLUNGER		*		1
4	D2468555B00	RUBBER PLUNGER		*		1
5	RE1200000K0	E-RING 12		*		1
6	WP1703001SC	WASHER 17X30X3		*		1
7	SL6040892TN	BOLT				2
8	40011945	RVS_FEED_SOLENOID_BASE				1
9	SS7110740TP	SCREW 11/64-40 L=7				4
10	22962906	PLUNGER ARM PIN				1
11	NS6110350SP	NUT 11/64-40				2
12	SL6061492TN	BOLT				2
13	SM6051400SP	SCREW				1
14	40011943	RVS_FEED_SOLENOID_LEVER				1
15	SD1002306TP	SHOULDER SCREW				1
16	40011942	REVERSE_FEED_ARM				1
17	40022455	ASSY_RVS_FEED_SWITCH				1
18	SS7110740TP	SCREW 11/64-40 L=7		*		1
19	23631708	REVERSE FEED SWITCH COVER		*		1
20	23631807	REVERSE FEED SWITCH SHAFT		*		1
21	23631906	REVERSE FEED SWITCH SUPPORT		*		1
22	40022456	RVS_FEED_SWITCH_BASE		*		1
23	23632102	REVERSE FEED SWITCH BASE GUIDE		*		1
24	23632359	REVERSE FEED CORD ASM.		*		1
25	EA9500B0100	CABLE BAND		*		1

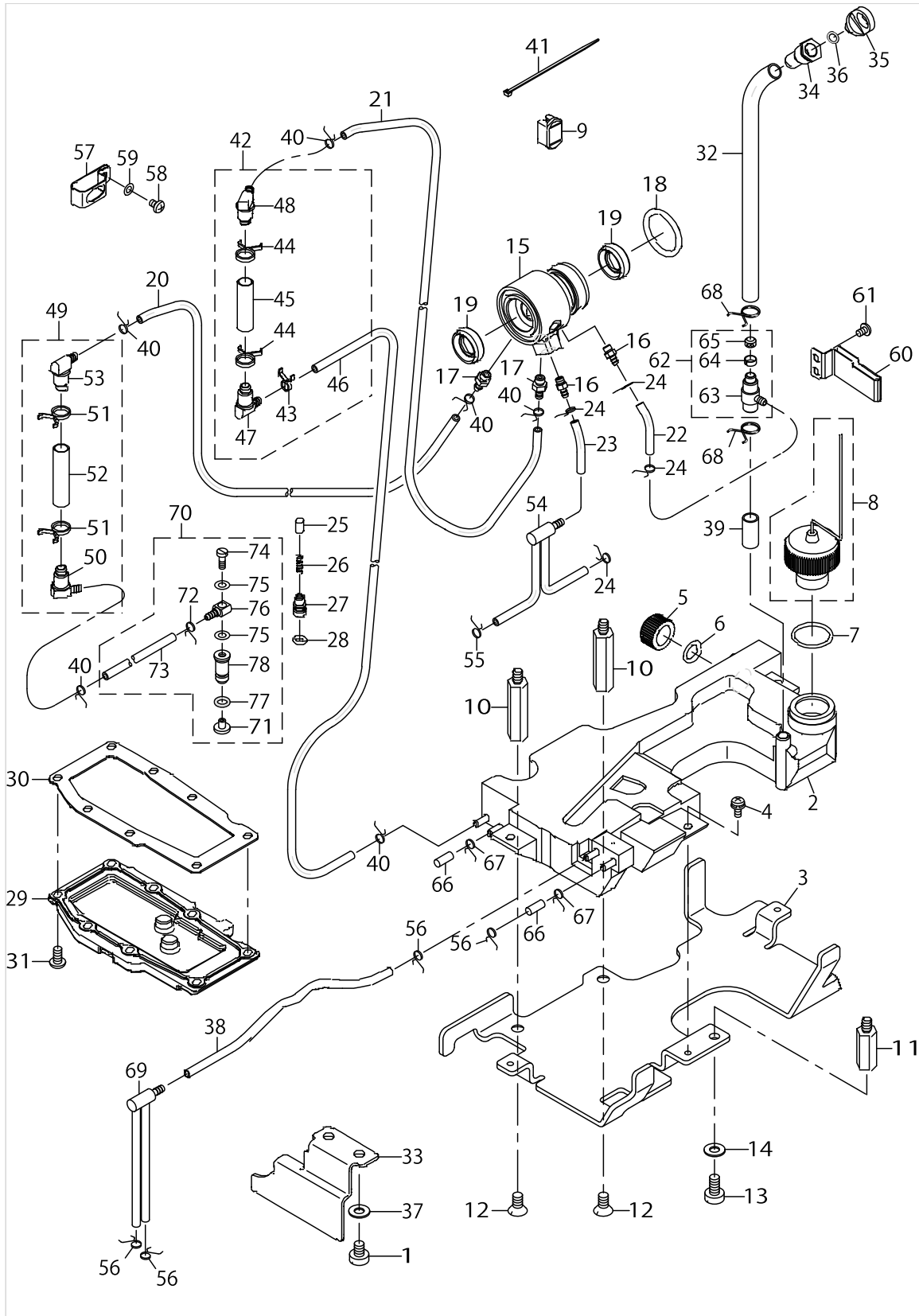
WIPER MECHANISM COMPONENTS (FOR LH-4128-7,4168-7,4188-7)



WIPER MECHANISM COMPONENTS (FOR LH-4128-7,4168-7,4188-7)

No.	Parts No.	Parts name	Remarks	Level	Cons	Qty
1	40022591	ASSY_WIPER_SOLENOID				1
2	40016817	WIPER_SOLENOID_PLATE		*		1
3	40030956	WIPER_SOLENOID		*		1
4	22955900	WIPER RUBBER A		*		1
5	22956007	WIPER RUBBER B		*		1
6	40016818	WIPER_LINK_A		*		1
7	22956205	WIPER HINGE SCREW COLLAR		*		1
8	22657308	WIPER SPRING		*		1
9	22955504	WIPER COVER		*		1
10	40009196	SUSPENSION SCREW		*		1
11	HA006000000	SWITCH		*		1
12	HW500070000	2-CORE CABTYRE CORD		*		1.1
13	HW200390000	ELECTRIC WIRE		*		0.04
14	22957104	WIPER SOLENOID SHAFT		*		1
15	NS6110310SP	NUT 11/64-40		*		1
16	SD0650321TP	HINGE SCREW D=6.5 H=3.2		*		1
17	SL4030641SE	SCREW		*		3
18	SL4030631SC	SCREW M3X6		*		1
19	22957203	WIPER LINK COLLAR		*		1
20	HK03464000B	PIN CONTACT		*		2
21	SM4051055SP	SCREW				2
22	WP0430800SD	WASHER M4				2
23	SM6040602TP	SCREW M4 L=6				4
24	40026010	WIPER_LINK_SHAFT_COLLAR				1
25	SD0500301SP	HINGE SCREW D=5 H=3				1
26	NS6090310SP	NUT 9/64-40				1
27	40016819	WIPER_LINK_B				1
28	40030916	WIPER_CAM_PLATE_C				2
29	40016821	WIPER_PLATE_BASE				1
30	SM6041602TP	SCREW M4X0.7 L=16				2
31	40030275	WIPER_LINK_D				1
32	40039554	WIPER_LINK_SHAFT				2
33	40038081	WIPER_PLATE				2
34	RC0470611KP	RETAINING RING 4.7			☆	4
35	10209203	WIPER 3/32"-3/8			☆	1
36	SS3090520SP	SCREW 9/64-40 L=4.5				2

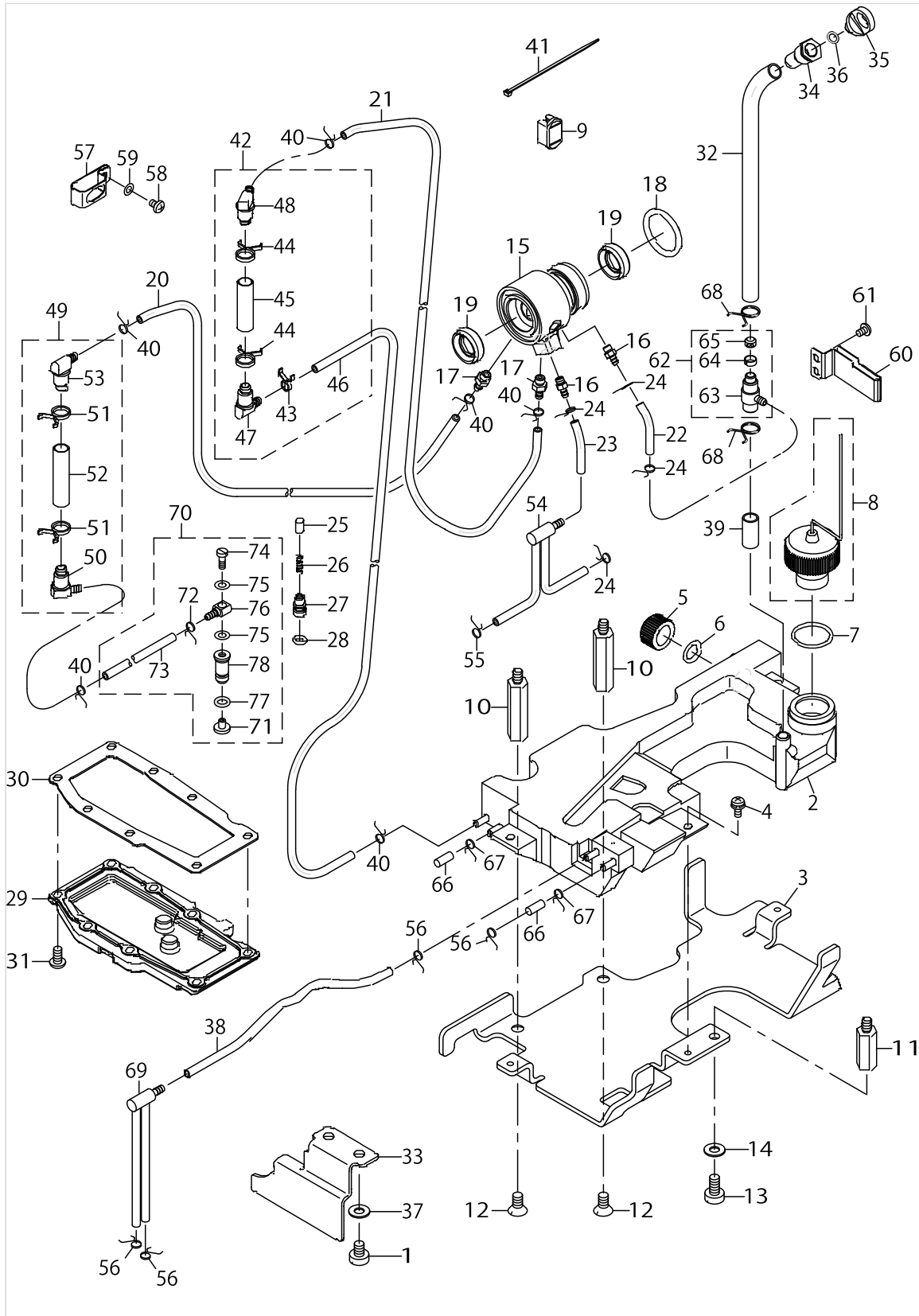
LUBRICATION COMPONENTS



LUBRICATION COMPONENTS

No.	Parts No.	Parts name	Remarks	Level	Cons	Qty
1	SM6060800SP	SCREW M6 L=8				2
2	40039383	OIL_TANK				1
3	40013610	OIL_TANK_SUPPORT_PLATE				1
4	SL4041091SC	SCREW M4 L=10				3
5	40013595	OIL_EXIT_CAP				1
6	RO098240100	RUBBER RING				1
7	RO219200100	O-RING				1
8	40022442	ASSY_FLOATER				1
9	40017215	OIL_SIGHT_WINDOW				1
10	40016705	OIL_TANK_STUD_A				2
11	40016706	OIL_TANK_STUD_B				1
12	SM1061201SN	SCREW M6 L=12				2
13	SM6061200SP	SCREW				1
14	WP0621016SD	WASHER 6.2X13X1				1
15	40011947	LOWER_PLUNGER_BUSH				1
16	SQ2050453MZ	CONNECTING SCREW				2
17	SQ2060451MZ	CONNECTING SCREW				2
18	RO257350100	O-RING				1
19	22888507	OIL SEAL				2
20	23630007	TUBE				0.06
21	23630007	TUBE				0.1
22	23630007	TUBE				0.26
23	23630007	TUBE				0.33
24	23629306	PIPE STOPPER A				4
25	23628803	PLUNGER				2
26	23628902	PLUNGER SPRING				2
27	40013509	PLUNGER_SCREW				2
28	RO048190100	RUBBER RING				2
29	40017470	FEED_BOX_COVER				1
30	40022447	FEED_BOX_PACKING				1
31	SM4051055SP	SCREW				8
32	23630106	TUBE B				0.19
33	40022153	OIL_SHIELD_PLATE				1
34	40000343	LUBRICATING INLET				1
35	40000344	LUBRICATING INLET CAP				1
36	RO048190100	RUBBER RING				1
37	WP0621016SD	WASHER 6.2X13X1				2
38	23630007	TUBE				0.2
39	23630106	TUBE B				0.035
40	23629306	PIPE STOPPER A				6
41	EA9500B0100	CABLE BAND				2
42	40022449	SUB_ASSY_OIL_FILTER_S				1
43	23629306	PIPE STOPPER A		*		1
44	23629405	PIPE STOPPER B		*		2
45	23630106	TUBE B		*		0.04
46	23630007	TUBE		*		0.05
47	23630601	OIL FILTER JOINT		*		1

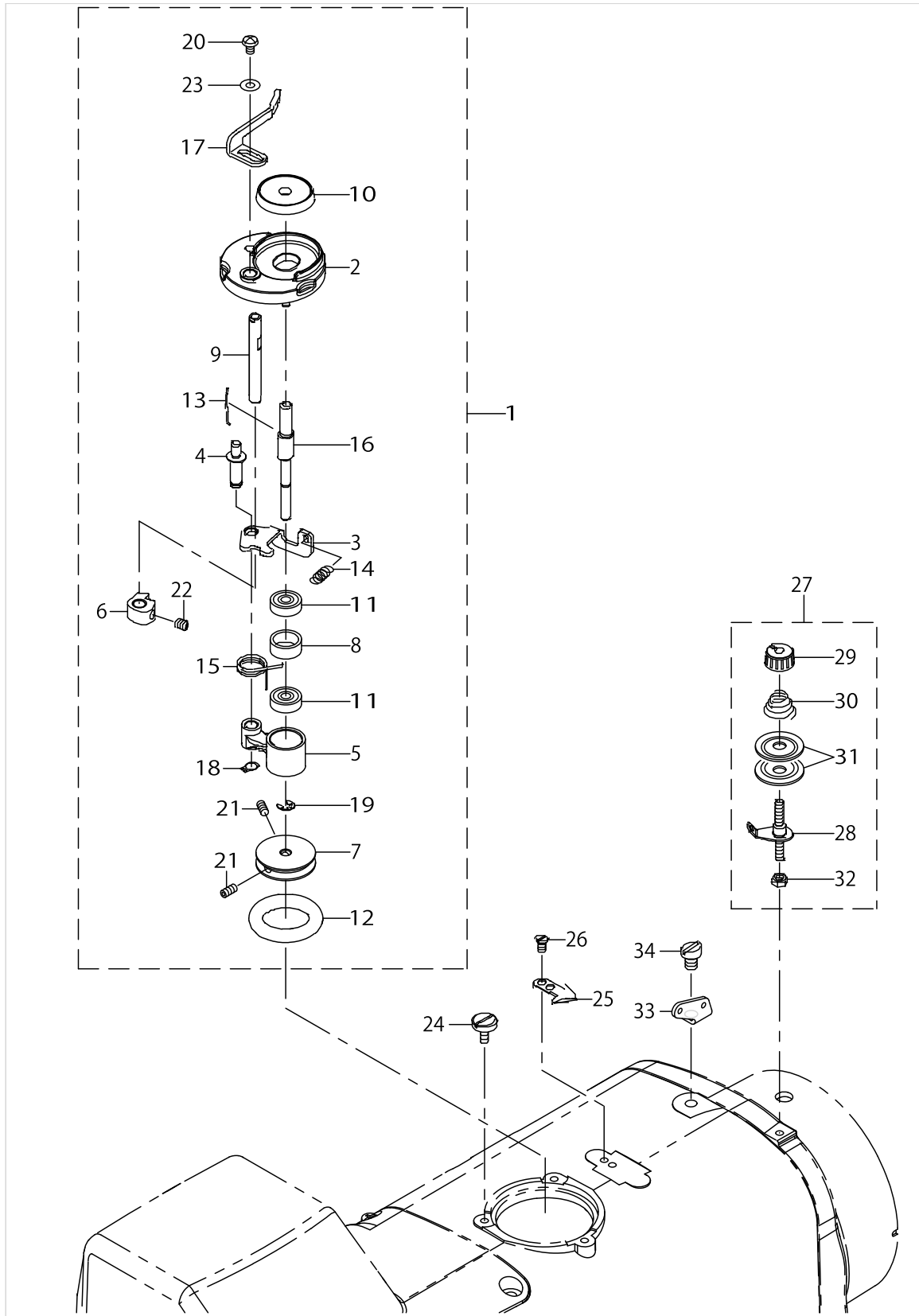
LUBRICATION COMPONENTS



LUBRICATION COMPONENTS

No.	Parts No.	Parts name	Remarks	Level	Cons	Qty
48	23630650	OIL FILTER JOINT ASM.		*		1
49	40022450	SUB_ASSY_OIL_FILTER_L				1
50	23630601	OIL FILTER JOINT		*		1
51	23629405	PIPE STOPPER B		*		2
52	23630106	TUBE B		*		0.05
53	23630650	OIL FILTER JOINT ASM.		*		1
54	40077751	ASSY DISTRIBUTOR B				1
55	23629306	PIPE STOPPER A				1
56	23629306	PIPE STOPPER A				3
57	40016749	TUBE HOLDER				1
58	SM4040655SP	SCREW M4 L=6				1
59	WP0430800SD	WASHER M4				1
60	40026023	FLOATER_BAR_GUIDE				1
61	SM4040655SP	SCREW M4 L=6				2
62	40065984	ASSY_OIL_JOINT				1
63	40040809	OIL_JOINT		*		1
64	23630502	OIL FILTER RING		*		1
65	23630403	OIL FILTER		*		1
66	23540305	FLOATER CASE CAP				2
67	23629306	PIPE STOPPER A				2
68	23629405	PIPE STOPPER B				2
69	40077750	ASSY DISTRIBUTOR A				1
70	40077749	ASSY OIL SUCTION				1
71	40042086	CAP		*		1
72	23629306	PIPE STOPPER A		*		1
73	23630007	TUBE		*		0.3
74	B3525357000	CONNECTING SCREW (B)		*		1
75	B3534012000	GASKET		*		2
76	SQ0000401MZ	CONNECTING SCREW		*		1
77	RO037180100	RUBBER RING		*		1
78	40036333	SUCTION		*		1

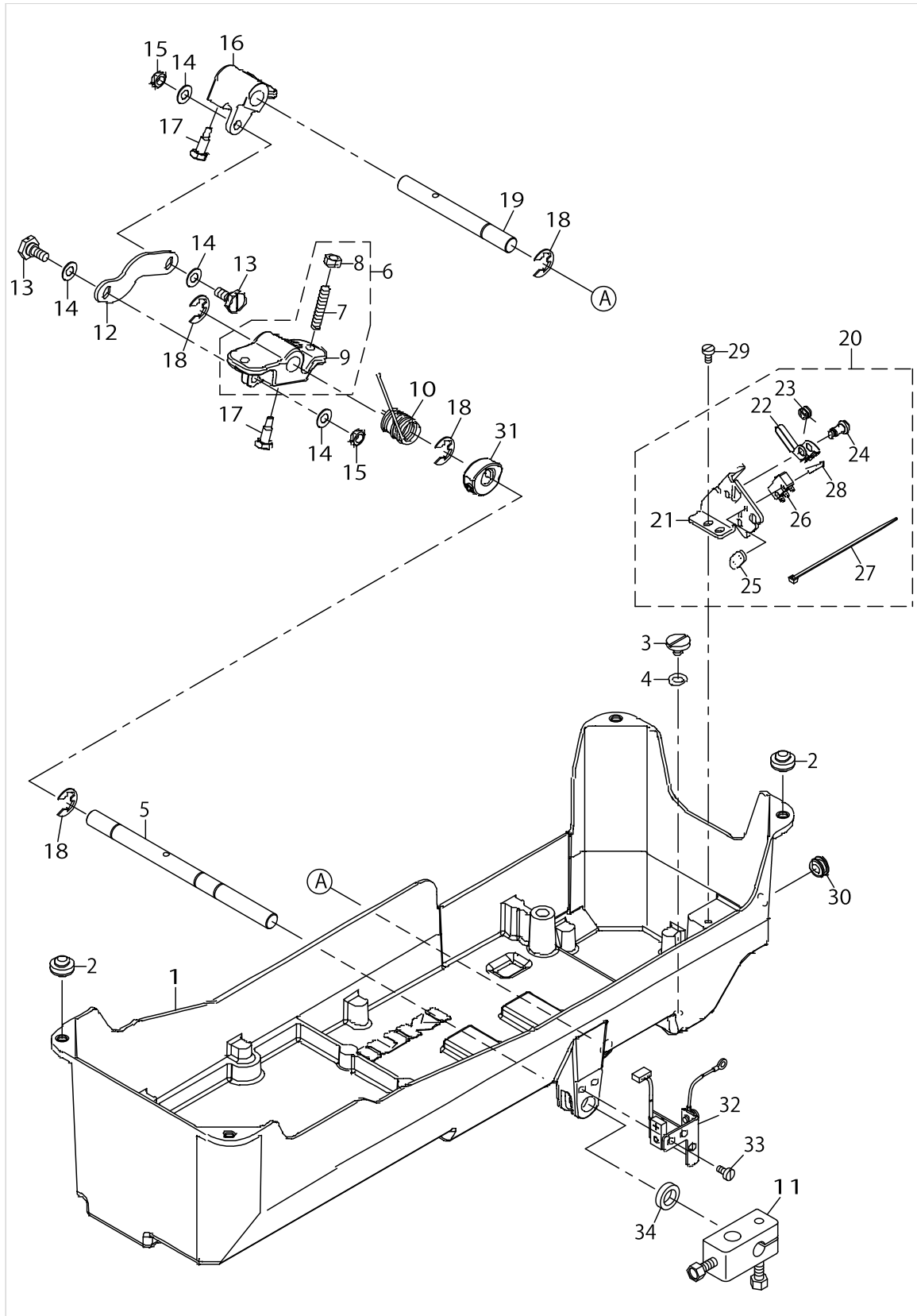
BOBBIN WINDER COMPONENTS



BOBBIN WINDER COMPONENTS

No.	Parts No.	Parts name	Remarks	Level	Cons	Qty
1	40023021	BOBBIN WINDER UNIT				1
2	26260109	BTW_BASE		*		1
3	26260208	BTW_CAM_PLATE		*		1
4	26260307	BTW_BASE_SHAFT		*		1
5	26260406	BTW_SHAFT_BASE		*		1
6	26260505	BTW_CAM_LEVER		*		1
7	26260604	BTW_WHEEL		*		1
8	26260802	BTW_BEARING_SPACER		*		1
9	26261008	BTW_LEVER_SHAFT		*		1
10	26261206	BTW_SPACER		*		1
11	26261305	BTW_BEARING		*		2
12	26261503	BTW_WHEEL_RUBBER		*		1
13	26261602	BOBBIN_SPRING		*		1
14	26261701	BTW_SPRING		*		1
15	40011144	BTW_TORSION_SPRING		*		1
16	40014837	BTW_SHAFT		*		1
17	40023022	BTW LEVER		*		1
18	RC0560711KP	RETAINING RING		*		1
19	RE0400000K0	E-RING 4		*		1
20	SM5040655SN	SCREW		*		1
21	SM8040802TP	SCREW M4X8		*		2
22	SM8050502TP	SCREW M5 L=5		*		1
23	WP0450826SC	WASHER 4.5X10X0.8		*		1
24	SM6041050SN	SCREW M4 L=10				3
25	40025949	THREAD_CUTTER				1
26	SM6040660TP	SCREW M4 L=6				2
27	40025950	ASSY_BOBBIN_TH_TENSION				1
28	40025951	ASSY_TENSION_POST		*		1
29	22945703	THREAD TENSION NUT		*		1
30	D7133555B00	CONNECTING ROD SPRING		*		1
31	22921506	THREAD TENSION DISK		*		2
32	NM6040001SC	NUT M4		*		1
33	40023291	THREAD GUIDE NO.1				1
34	SM6060800SP	SCREW M6 L=8				1

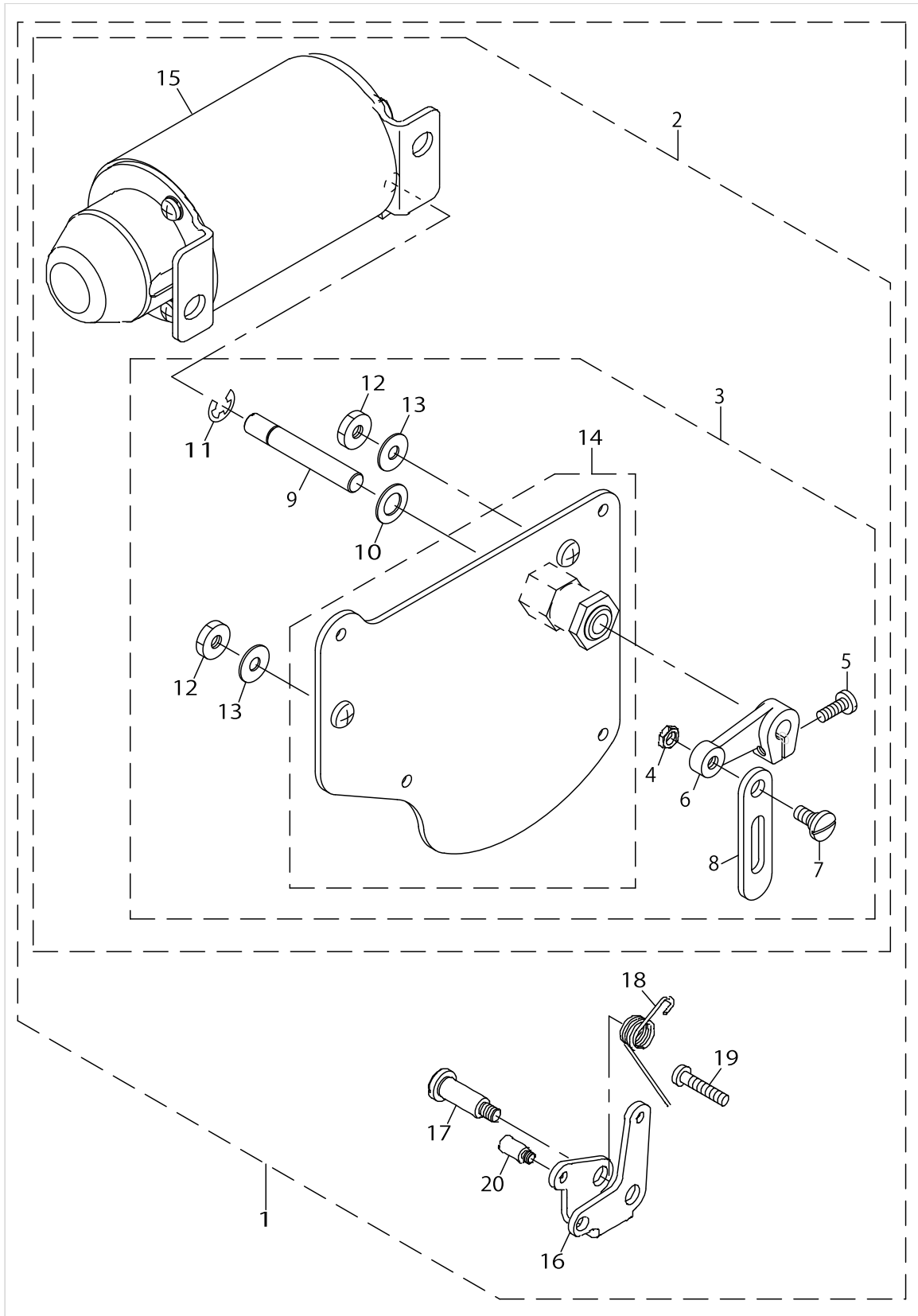
BOTTOM COVER COMPONENTS



BOTTOM COVER COMPONENTS

No.	Parts No.	Parts name	Remarks	Level	Cons	Qty
1	40016835	BOTTOM_COVER				1
2	10162600	RUBBER CUSHION				4
3	SM6060750TP	SCREW M6 L=7				1
4	RO074240100	RUBBER RING				1
5	40013521	KNEE_PUSH_SHAFT				1
6	40023237	ASSY_KNEE_ROTATEARM				1
7	NM6060001SE	NUT M6		*		2
8	SM8063012TR	SCREW M6 L=30		*		2
9	40013520	KNEE_LIFTER_ROTATEARM		*		1
10	23639503	SPRING				1
11	22932453	BRACKET ASM.				1
12	40013525	CONNECTING_ROD				1
13	SD0900336TP	SHOULDER SCREW D=9 H=3.3				2
14	WP0650876SD	WASHER 6.5X13X0.8				4
15	NM6060003SC	NUT M6				2
16	40013522	KNEE_LIFTER_DRIVEARM				1
17	SM9061853SR	SCREW M6 L=17.5				2
18	RE1000000K0	E-RING 10				4
19	40013519	KNEE_ROTATE_SHAFT				1
20	40022457	ASSY_SAFETY_SWITCH				1
21	40015022	SAFETY_SWITCH_BASE		*		1
22	23638109	SAFETY SWITCH ARM		*		1
23	23638208	SAFETY SWITCH SPRING		*		1
24	23638307	SAFETY SWITCH ARM SHAFT		*		1
25	23638406	SAFETY SWITCH NUT		*		1
26	40023231	ASSY_SAFETY_SWITCH_CORD		*		1
27	EA9500B0100	CABLE BAND		*		1
28	SM4021201SC	SCREW M2 L=12		*		2
29	SM6040800SP	SCREW				2
30	HX00055000E	RUBBER BUSHING				1
31	40019013	ASSY_KNEE_LIFT_RTRV	FOR LH-4168-7,4188-7			1
32	22796155	SENSOR PLATE ASM.	FOR LH-4168-7,4188-7			1
33	SM6040800SP	SCREW	FOR LH-4168-7,4188-7			2
34	22798607	SENSING BASE WASHER	FOR LH-4168-7,4188-7			1

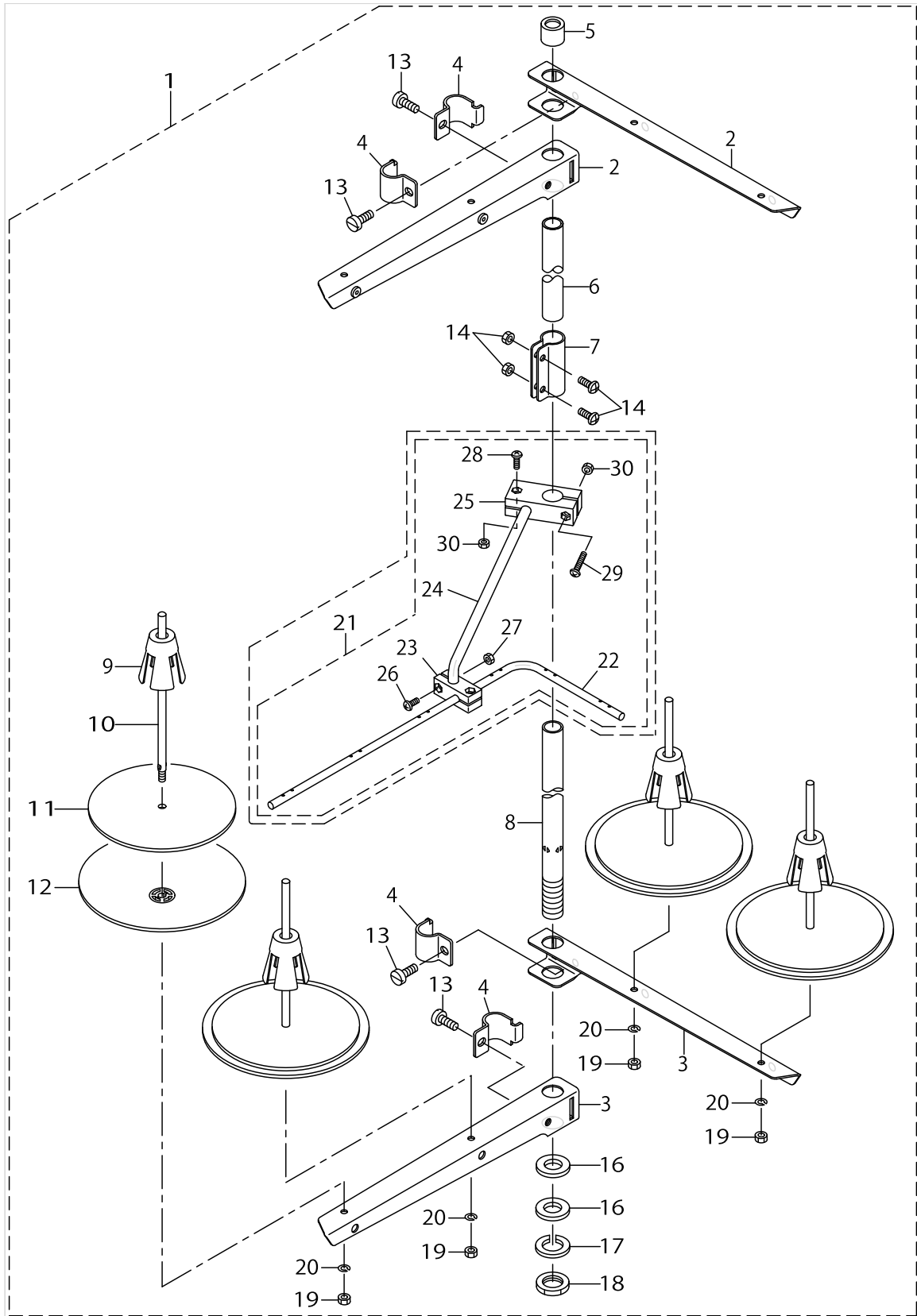
AK COMPONENTS



AK COMPONENTS

No.	Parts No.	Parts name	Remarks	Level	Cons	Qty
1	40053452	AK125				1
2	40026315	ASSY_AK_DEVICE		*		1
3	40026313	COMP_REAR_PLATE		*		1
4	NS6150310SP	NUT 15/64-28		*		1
5	SS7121410TP	SCREW 3/16-28 L=14		*		1
6	40018938	AK_SOL_ARM_B		*		1
7	SD0800352SP	HINGE SCREW D=8 H=3.5		*		1
8	40018939	AK_SOL_LINK		*		1
9	22991400	SOLENOID SHAFT		*		1
10	WP1021016SD	WASHER		*		1
11	RE0700000K0	E-RING 7		*		1
12	NS6150440SP	NUT 15/64-28		*		2
13	WP0621036SP	WASHER		*		2
14	40026314	ASSY_REAR_PLATE		*		1
15	GAKA18300B0	AK SOLENOID ASM.,B		*		1
16	40017214	LIFTING_LINK		*		1
17	SD0902256TP	SHOULDER SCREW D=9 H=22.5		*		1
18	40018942	LIFTING_LINK_SPRING		*		1
19	SM4052501SN	SCREW M5X0.8 L=25		*		1
20	40018191	LIFTING_LINK_PIN		*		1

THREAD STAND COMPONENTS



THREAD STAND COMPONENTS

No.	Parts No.	Parts name	Remarks	Level	Cons	Qty
1	26910158	THREAD STANDING DEVICE ASM.				1
2	22930556	SPOOL REST ARM ASM.		*		2
3	22930507	SPOOL REST ARM		*		2
4	22930705	THREAD GUIDE ARM JOINT		*		4
5	22931406	THREAD STANDING ROD RUBBER CAP		*		1
6	22930408	THREAD STANDING ROD, UPPER		*		1
7	22931307	THREAD STANDING ROD JOINT		*		1
8	22930309	THREAD STANDING ROD, LOWER		*		1
9	22931109	SPOOL RETAINER		*		4
10	22931000	SPOOL PIN		*		4
11	22930903	SPOOL REST CUSHION		*		4
12	22930804	SPOOL REST		*		4
13	SM6061610SC	SCREW M6 L=16		*		4
14	SM4051405SE	SCREW M5 L=14		*		2
15	NM6050001SE	NUT M5		*		2
16	WP1612616SE	WASHER 16X30X2.6		*		2
17	WS1643202KR	SPRING WASHER		*		1
18	NM6160511SE	NUT M16X1.5		*		1
19	NM6050001SE	NUT M5		*		4
20	WS0510002KN	SPRING WASHER		*		4
21	26910059	THREAD GUIDE ARM ASM.				1
22	13167903	THREAD STANDING THREAD GUIDE		*		1
23	13168000	THREAD STANDING GUIDE BASE		*		1
24	13168109	THREAD STANDING GUIDE ARM		*		1
25	13168208	THREAD STANDING GUIDE ARM BASE		*		1
26	SM4041001SC	SCREW M4X0.7 L=10		*		2
27	NM6040002SE	NUT M4X0.7		*		2
28	SM4041201SC	SCREW M4 L=12		*		1
29	SM4042001SC	SCREW M4X20		*		1
30	NM6040002SE	NUT M4X0.7		*		2

TABLE & STAND COMPONENTS

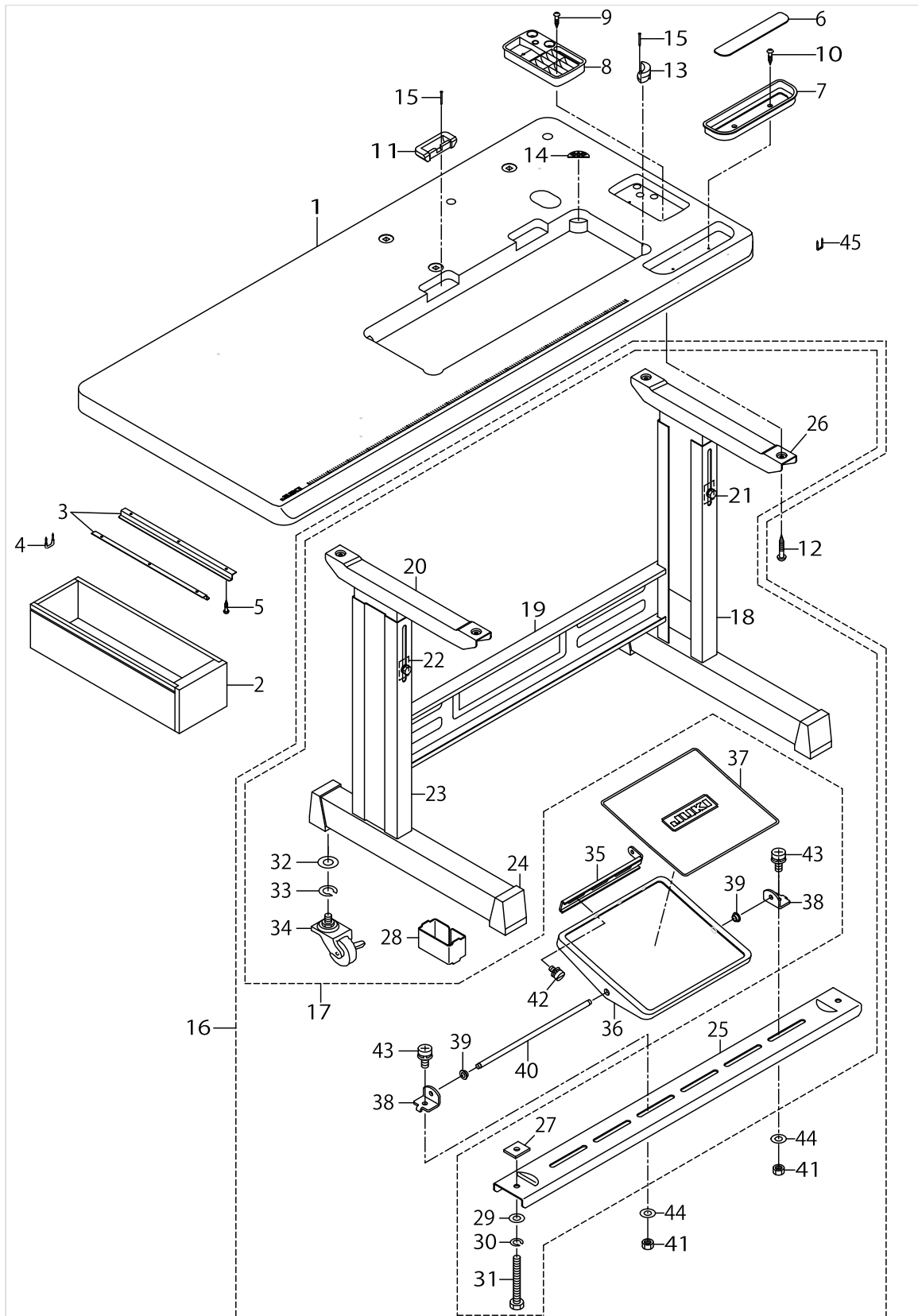
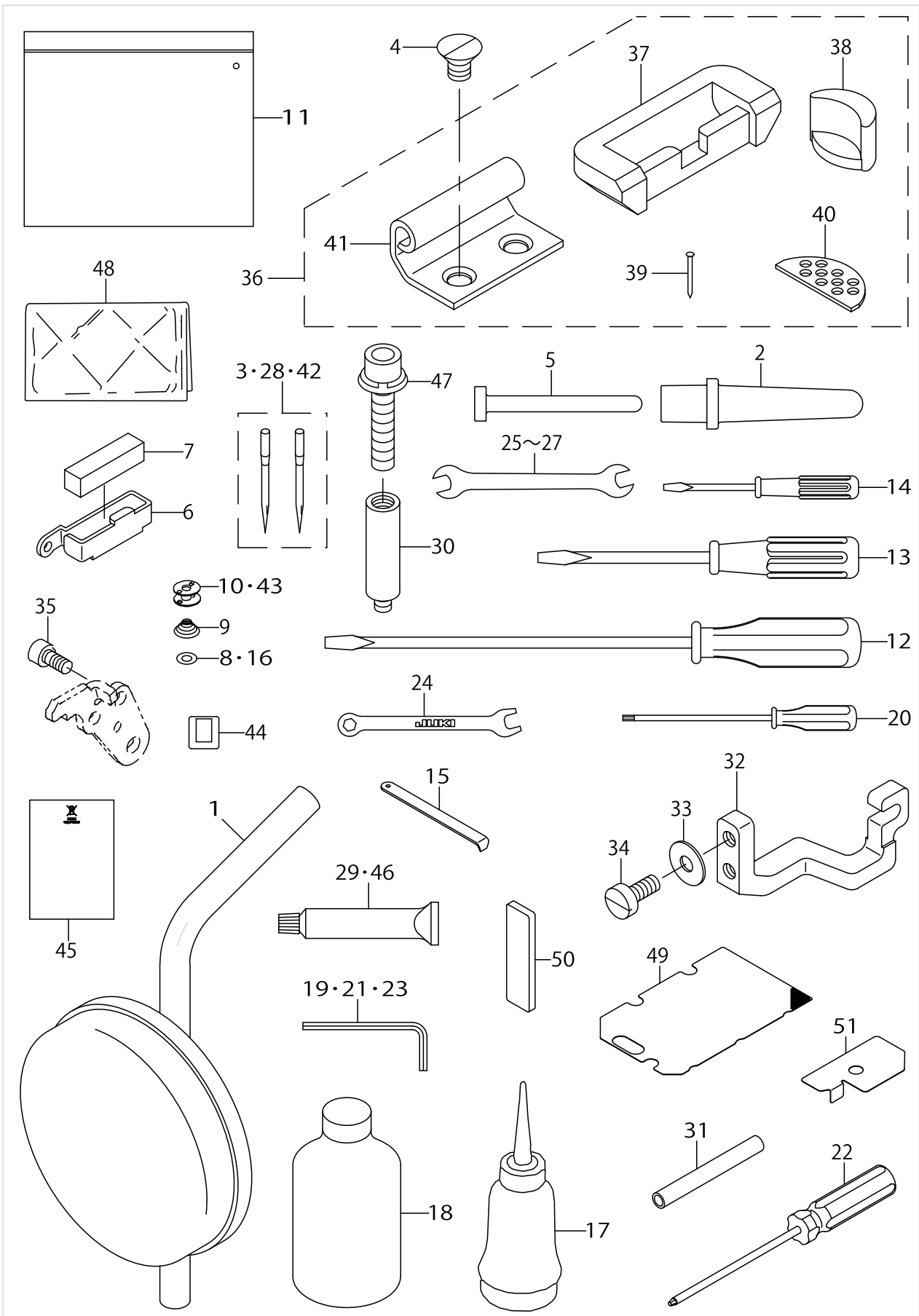


TABLE & STAND COMPONENTS

No.	Parts No.	Parts name	Remarks	Level	Cons	Qty
1	40026321	TABLE				1
2	11155108	DRAWER				1
3	11155207	DRAWER SUPPORT				2
4	D8204555D00	DRAWER STOPPER				1
5	SK3311600SE	WOOD SCREW D=3.1 L=16				6
6	11155801	CASE MAGNET				1
7	11156007	CASE				1
8	11155751	CASE ASM. B				1
9	SK3382001SC	WOOD SCREW D=3.8 L=20				2
10	SK3382001SC	WOOD SCREW D=3.8 L=20				2
11	40039798	RUBBER_CUSHION_B				2
12	SK3513200SC	WOOD SCREW D=5.1 L=32				4
13	22958003	FRAME BUBBER CUSHION				2
14	22926505	WASHER				2
15	22926208	NAIL				8
16	11159365	T STAND JUNCTION				1
17	11159357	T-STAND ASM.		*		1
18	11157955	STUD ASM., RIGHT		*		1
19	11158300	STAND SIDE SUPPORT		*		1
20	11157757	STAND UPPER, LEFT		*		1
21	SL9082091SE	WASHER HEXAGONAL BOLT		*		10
22	11158508	PLATE		*		2
23	11158052	STRUT JUNCTION (LEFT)		*		1
24	11158607	RUBBER CAP		*		4
25	11158409	STAND SIDE SUPPORT		*		1
26	11157658	STAND UPPER, RIGHT		*		1
27	17007402	NUT		*		2
28	11159506	STRUT AUXILIARY PLATE		*		2
29	WP0871602SE	WASHER 8.7X18X1.6		*		2
30	WS0861410KR	SPRING WASHER 8.6X15X1.4		*		2
31	SM9086523SE	HEXAGONAL BOLT		*		2
32	WP1302501SE	WASHER M12		*		4
33	WS1253010KN	SPRING WASHER 12.5X21.5X3		*		4
34	11159407	CASTER		*		4
35	11158706	PEDAL ADJUSTING PLATE		*		1
36	11158805	PEDAL		*		1
37	11158904	PEDAL MAT		*		1
38	11159001	PEDAL SHAFT BRACKET		*		2
39	D8113555B00	PEDAL BUSHING		*		2
40	D8115555B00	PEDAL SHAFT		*		1
41	NM6080001SE	NUT M8		*		2
42	SL9061291SE	WASHER HEXAGONAL BOLT M6 L=12		*		2
43	SL9082091SE	WASHER HEXAGONAL BOLT		*		2
44	WP0871602SE	WASHER 8.7X18X1.6		*		2
45	MAO11532000	CORD STAPLE				3

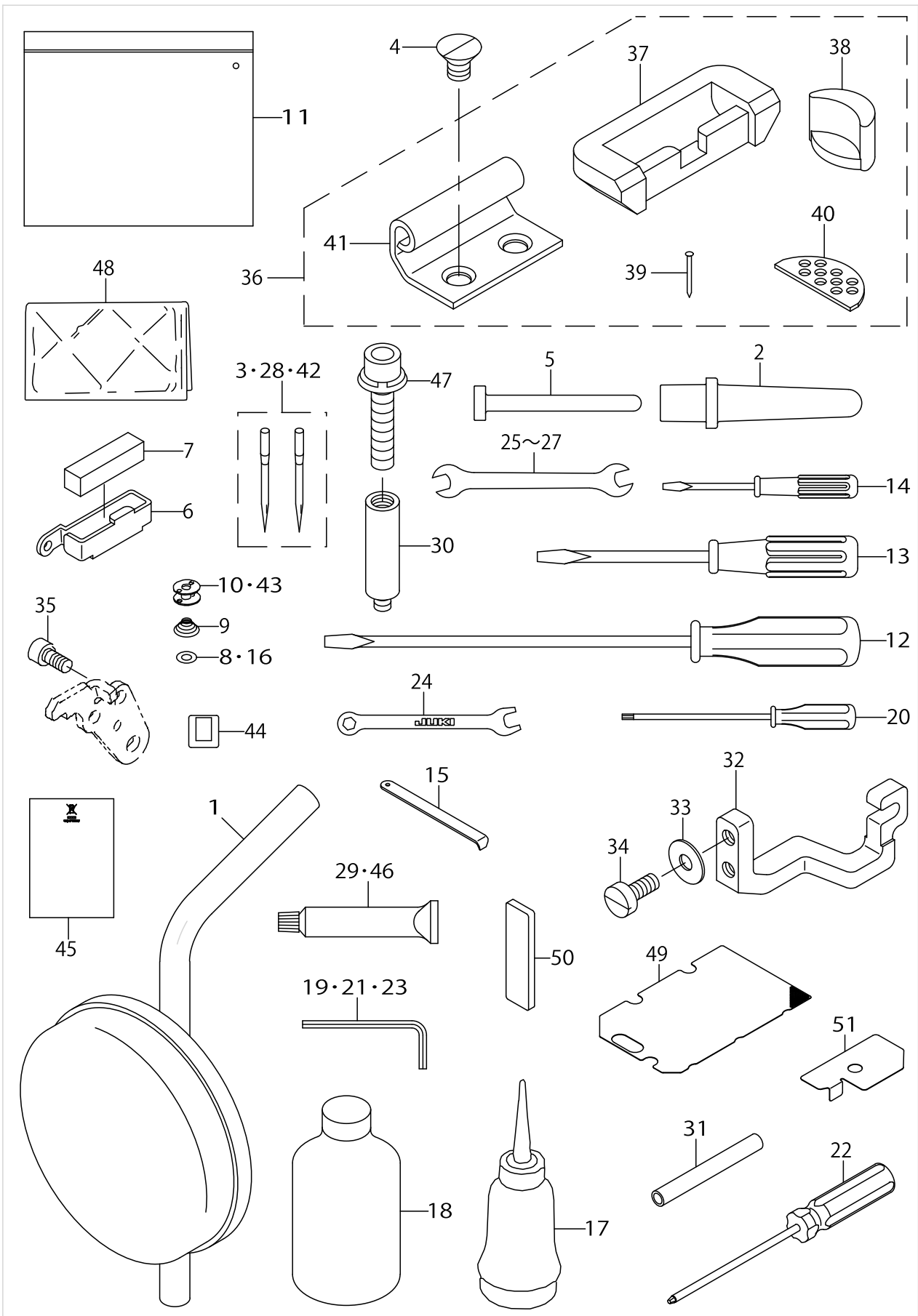
ACCESSORIE PART COMPONENTS



ACCESSORIE PART COMPONENTS

No.	Parts No.	Parts name	Remarks	Level	Cons	Qty
1	22934251	KNEE PAD PLATE ASM.				1
2	22931604	FRAME SUPPORT BAR				1
3	MDP500B1002	NEEDLE DPX5 #10-2	TYPE F			1
4	SM1081250TP	SCREW M8 L=12				4
5	23639701	KNEE LIFTER PRESSER ROD				1
6	40032896	THREAD_GUIDE_FELT				1
7	22603708	FELT				1
8	22653802	SHEET	FOR LH-4128-7,4168-7			1
9	10111508	SPRING	FOR LH-4128-7,4168-7,4188-7			1
10	10210805	HARD ALUMITE BOBBIN	FOR LH-4128,4128-7,4168-7			2
11	22932800	ACCESSORIE BAG				1
12	22933006	SCREW DRIVER,LARGE				1
13	22933105	SCREW DRIVER,MIDDLE				1
14	22933204	SCREW DRIVER,SMALL				1
15	B9101490000	DRIVER				1
16	22819809	SHEET	FOR LH-4188-7			1
17	B91210120A0	OILER ASM.				1
18	MDFRX1600C0	DEFRIX OIL NO.1(600CC)				1
19	12455507	HEXAGONAL WRENCH, 1.5				1
20	11851102	SCREW WRENCH				1
21	12455705	HEXAGONAL WRENCH, 2.5				1
22	J1080000000	BOLL SCREWDRIVER				1
23	GCT02906000	HEXAGONAL SPANNER	FOR LH-4128-7,4168-7,4188-7			1
24	B9101804000	OPEN ENDED SPANNER (5X6)				1
25	B9143372000	WRENCH (7.1X8.1)				1
26	B9113012000	WRENCH (9X10)				1
27	26034702	WRENCH (14X11)				1
28	MDP500B1402	NEEDLE DPX5#14-2	TYPE S			2
29	40006323	JUKI GREASE A TUBE				1
30	40036110	GREASE_JOINT_B	FOR LH-4168-7,4188-7			1
31	BT0600402EA	OIL TUBE	FOR LH-4168-7,4188-7			0.05
32	40016282	ROCKING_ROD_FIXING	FOR LH-4128			1
33	WP0621026SP	WASHER 6.2X9.5X1	FOR LH-4128			2
34	SM6061400SP	SCREW M6 L=14	FOR LH-4128			2
35	SM6051002TP	SCREW M5X0.8 L=10				1
36	40031047	RUBBER_HINGE_ASM.				1
37	40039798	RUBBER_CUSHION_B		*		2
38	22958003	FRAME BUBBER CUSHION		*		2
39	22926208	NAIL		*		8
40	22926505	WASHER		*		2
41	40015613	HINGE		*		2
42	MDP500B2102	DPX5#21-2	TYPE G			1
43	10231603	BOBBIN	FOR LH-4188-7			2
44	CM600100101	WEEE MARK LABEL S				1
45	CM600100201	WEEE INFORMATION SHEET				1
46	40013640	JUKI_GREASE_B_TUBE				1
47	SL6084092TN	BOLT				1


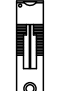
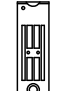



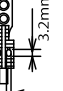
ACCESSORIE PART COMPONENTS



ACCESSORIE PART COMPONENTS

No.	Parts No.	Parts name	Remarks	Level	Cons	Qty
48	22933303	VINYL COVER				1
49	40066130	BOTTOM OIL FILTER				1
50	40035873	FILTER_B				1
51	40072673	BOTTOM OIL FILTER C				1

TABLE OF EXCHANGING GAUGE PARTS (1)(FOR LH-4128(1))

Needle gauge size 針 幅		Throat plate (Throat feed) 針 板 (針送り)		Throat plate (Lower feed) 針 板 (下送り)				Feed Dog 送り 歯						
Code コード														
	inch	mm	Ref.No.	Part No.	Ref.No.	Part No.	Ref.No.	Part No.	Ref.No.	Part No.	Ref.No.	Part No.	Ref.No.	Part No.
B	1/8	3.2	1	226-25107	19	228-45200					27	400-33563		
C	5/32	4.0	2	226-25206					78	226-30206	28	400-25784		
D	3/16	4.8	3	226-25305	20	228-45408					29	400-25785	45	400-25801
E	7/32	5.6	4	226-25404					80	226-30503	30	400-25786	46	400-25802
F	1/4	6.4	5	226-25503	21	228-45606					31	400-25787	47	400-25803
G	9/32	7.1	6	226-25602					82	226-30800	32	400-25788	48	400-25804
H	5/16	7.9	7	226-25701	22	228-45804					33	400-25789	49	400-25805
K	3/8	9.5	8	226-25800					84	226-31006	34	400-25790	50	400-25806
W	7/16	11.1	9	226-25909					85	226-31105	35	400-25791	51	400-25807
L	1/2	12.7	10	226-26006			23	400-62254	86	226-31303	36	400-25792	52	400-25808
M	5/8	15.9	11	226-26105					87	226-31402	37	400-25793	53	400-25809
N	3/4	19.1	12	226-26204			24	400-62256	88	226-31501	38	400-25794	54	400-25810
P	7/8	22.2	13	226-26303			25	400-62257	89	226-31709	39	400-25795	55	400-25811
Q	1	25.4	14	226-26402			26	400-62258	90	226-31808	40	400-25796	56	400-25812
R	1-1/8	28.6	15	226-26501					91	226-31907	41	400-25797	57	400-25813
S	1-1/4	31.8	16	226-26600					92	226-32004	42	400-25798	58	400-25814
T	1-3/8	34.9	17	226-26709					93	226-32103	43	400-25799	59	400-25815
U	1-1/2	38.1	18	226-26808					94	226-32202	44	400-25800	60	400-25816
Stitch spec.	S		★						★		★			
縫仕様	下送り				★		★							★
	G		★											★

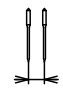
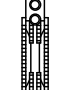




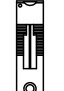
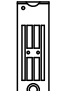



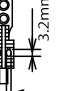
Needle gauge size 針 幅		Feed Dog (Lower feed) 送り 歯 (下送り)		Sliding plate asm. (Left) 滑り板(左組)		Sliding plate asm. (Right) 滑り板(右組)		Sliding plate asm. (Front) 滑り板(前組)			
Code コード											
	inch	mm	Ref.No.	Part No.	Ref.No.	Part No.	Ref.No.	Part No.	Ref.No.	Part No.	
B	1/8	3.2	61	232-05107							
C	5/32	4.0									
D	3/16	4.8	62	232-05305							
E	7/32	5.6									
F	1/4	6.4	63	232-05503							
G	9/32	7.1									
H	5/16	7.9	64	228-47800							
K	3/8	9.5									
W	7/16	11.1									
L	1/2	12.7			65	400-62249			77	400-34931	
M	5/8	15.9									
N	3/4	19.1			66	400-62251	70	226-01157	74	226-00654	
P	7/8	22.2			67	400-62252					
Q	1	25.4			68	400-62253	71	226-01256	75	226-00753	
R	1-1/8	28.6									
S	1-1/4	31.8									
T	1-3/8	34.9					72	226-01355	76	226-00852	
U	1-1/2	38.1									
Stitch spec.	S						Spec. common		Spec. common		Spec. common
縫仕様	下送り						仕様共通		仕様共通		仕様共通
	G		★		★						

TABLE OF EXCHANGING GAUGE PARTS (1)(FOR LH-4128(1))

No.	Parts No.	Parts name	Remarks	Level	Cons	Qty
1	22625107	THROAT PLATE 1/8" (3.2MM)				1
2	22625206	THROAT PLATE 5/32" (4MM)				1
3	22625305	THROAT PLATE 3/16" (4.8MM)				1
4	22625404	THROAT PLATE 7/32" (5.6MM)				1
5	22625503	THROAT PLATE 1/4				1
6	22625602	THROAT PLATE 9/32" (7.1MM)				1
7	22625701	THROAT PLATE 5/16" (7.9MM)				1
8	22625800	THROAT PLATE 3/8" (9.5MM)				1
9	22625909	THROT PLATE 7/16 (11.1M)				1
10	22626006	THROAT PLATE 1/2" (12.7MM)				1
11	22626105	THROAT PLATE 5/8" (15.9MM)				1
12	22626204	THROAT PLATE 3/4" (19.1MM)				1
13	22626303	THROAT PLATE 7/8" (22.2MM)				1
14	22626402	THROAT PLATE 1" (25.4MM)				1
15	22626501	THROAT PLATE 1.1/8" (28.6MM)				1
16	22626600	THROAT PLATE 1.1/4" (31.8MM)				1
17	22626709	THROAT PLATE 1.3/8" (34.9MM)				1
18	22626808	THROAT PLATE 1.1/2" (38.1MM)				1
19	22845200	THROAT PLATE, (1/8).				1
20	22845408	THROAT PLATE, 3/16.				1
21	22845606	THROAT PLATE, (1/4).				1
22	22845804	THROAT PLATE, (5/16).				1
23	40062254	THROAT_PLATE_1/2				1
24	40062256	THROAT_PLATE_3/4				1
25	40062257	THROAT_PLATE_7/8				1
26	40062258	THROAT_PLATE_1				1
27	40033563	FEED_DOG_TYPE_F_1/8				1
28	40025784	FEED DOG 5/32				1
29	40025785	FEED DOG 3/16				1
30	40025786	FEED DOG 7/32				1
31	40025787	FEED DOG 1/4				1
32	40025788	FEED DOG 9/32				1
33	40025789	FEED DOG 5/16				1
34	40025790	FEED DOG 3/8				1
35	40025791	FEED DOG 7/16				1
36	40025792	FEED DOG 1/2				1
37	40025793	FEED DOG 5/8				1
38	40025794	FEED DOG 3/4				1
39	40025795	FEED DOG 7/8				1
40	40025796	FEED DOG 1				1
41	40025797	FEED DOG 1-1/8				1
42	40025798	FEED DOG 1-1/4				1
43	40025799	FEED DOG 1-3/8				1
44	40025800	FEED DOG 1-1/2				1
45	40025801	FEED DOG 3/16				1
46	40025802	FEED DOG 7/32				1
47	40025803	FEED DOG 1/4				1

TABLE OF EXCHANGING GAUGE PARTS (1)(FOR LH-4128(1))

Needle gauge size 針 幅		Throat plate (Throat feed) 針 板 (針送り)		Throat plate (Lower feed) 針 板 (下送り)				Feed Dog 送り 歯						
Code コード									 $\phi 1.9$		 $\phi 1.7$ (Option オプション)		 $\phi 1.7$ 2.2mm	
	inch	mm	Ref.No.	Part No.	Ref.No.	Part No.	Ref.No.	Part No.	Ref.No.	Part No.	Ref.No.	Part No.	Ref.No.	Part No.
B	1/8	3.2	1	226-25107	19	228-45200					27	400-33563		
C	5/32	4.0	2	226-25206					78	226-30206	28	400-25784		
D	3/16	4.8	3	226-25305	20	228-45408					29	400-25785	45	400-25801
E	7/32	5.6	4	226-25404					80	226-30503	30	400-25786	46	400-25802
F	1/4	6.4	5	226-25503	21	228-45606					31	400-25787	47	400-25803
G	9/32	7.1	6	226-25602					82	226-30800	32	400-25788	48	400-25804
H	5/16	7.9	7	226-25701	22	228-45804					33	400-25789	49	400-25805
K	3/8	9.5	8	226-25800					84	226-31006	34	400-25790	50	400-25806
W	7/16	11.1	9	226-25909					85	226-31105	35	400-25791	51	400-25807
L	1/2	12.7	10	226-26006			23	400-62254	86	226-31303	36	400-25792	52	400-25808
M	5/8	15.9	11	226-26105					87	226-31402	37	400-25793	53	400-25809
N	3/4	19.1	12	226-26204			24	400-62256	88	226-31501	38	400-25794	54	400-25810
P	7/8	22.2	13	226-26303			25	400-62257	89	226-31709	39	400-25795	55	400-25811
Q	1	25.4	14	226-26402			26	400-62258	90	226-31808	40	400-25796	56	400-25812
R	1-1/8	28.6	15	226-26501					91	226-31907	41	400-25797	57	400-25813
S	1-1/4	31.8	16	226-26600					92	226-32004	42	400-25798	58	400-25814
T	1-3/8	34.9	17	226-26709					93	226-32103	43	400-25799	59	400-25815
U	1-1/2	38.1	18	226-26808					94	226-32202	44	400-25800	60	400-25816
Stitch spec.		S		★					★			★		
縫仕様		下送り			★		★							★
		G		★										★

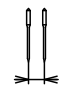
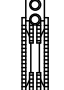



Needle gauge size 針 幅		Feed Dog (Lower feed) 送り 歯 (下送り)		Sliding plate asm. (Left) 滑り板(左)組		Sliding plate asm. (Right) 滑り板(右)組		Sliding plate asm. (Front) 滑り板(前)組		
Code コード										
	inch	mm	Ref.No.	Part No.	Ref.No.	Part No.	Ref.No.	Part No.	Ref.No.	Part No.
B	1/8	3.2	61	232-05107						
C	5/32	4.0								
D	3/16	4.8	62	232-05305						
E	7/32	5.6								
F	1/4	6.4	63	232-05503			69	226-01058	73	226-00555
G	9/32	7.1								
H	5/16	7.9	64	228-47800						
K	3/8	9.5								
W	7/16	11.1								
L	1/2	12.7			65	400-62249			77	400-34931
M	5/8	15.9					70	226-01157	74	226-00654
N	3/4	19.1			66	400-62251				
P	7/8	22.2			67	400-62252				
Q	1	25.4			68	400-62253	71	226-01256	75	226-00753
R	1-1/8	28.6								
S	1-1/4	31.8								
T	1-3/8	34.9					72	226-01355	76	226-00852
U	1-1/2	38.1								
Stitch spec.		S					Spec. common	Spec. common	Spec. common	Spec. common
縫仕様		下送り					仕様共通	仕様共通	仕様共通	仕様共通
		G		★	★					

TABLE OF EXCHANGING GAUGE PARTS (1)(FOR LH-4128(1))

No.	Parts No.	Parts name	Remarks	Level	Cons	Qty
48	40025804	FEED DOG 9/32				1
49	40025805	FEED DOG 5/16				1
50	40025806	FEED DOG 3/8				1
51	40025807	FEED DOG 7/16				1
52	40025808	FEED DOG 1/2				1
53	40025809	FEED DOG 5/8				1
54	40025810	FEED DOG 3/4				1
55	40025811	FEED DOG 7/8				1
56	40025812	FEED DOG 1				1
57	40025813	FEED DOG 1-1/8				1
58	40025814	FEED DOG 1-1/4				1
59	40025815	FEED DOG 1-3/8				1
60	40025816	FEED DOG 1-1/2				1
61	23205107	FEED DOG 1/8				1
62	23205305	FEED DOG 3/16				1
63	23205503	FEED DOG 1/4				1
64	22847800	FEED DOG 5/16				1
65	40062249	FEED_DOG_1/2				1
66	40062251	FEED_DOG_3/4				1
67	40062252	FEED_DOG_7/8				1
68	40062253	FEED_DOG_1				1
69	22601058	BED SLIDE LEFT, ASM., A				1
70	22601157	LEFT SLIDER PLATE B ASM.				1
71	22601256	BED SLIDE LEFT, ASM., C				1
72	22601355	BED SLIDE LEFT, ASM., C				1
73	22600555	BED SLIDE RIGHT, ASM., A				1
74	22600654	RIGHT SLIDER PLATE B ASM.				1
75	22600753	BED SLIDE RIGHT, ASM., C				1
76	22600852	BED SLIDE RIGHT, ASM., D				1
77	40034931	ASSY_SLIDE_PLATE-F				1
78	22630206	FEED DOG 5/32" (4.0MM)				1
79	22630404	FEED DOG 3/16" (4.8MM)				1
80	22630503	FEED DOG 7/32" (5.6MM)				1
81	22630602	FEED DOG 1/4				1
82	22630800	FEED DOG 9/32" (7.1MM)				1
83	22630909	FEED DOG 5/16" (7.9MM)				1
84	22631006	FEED DOG 3/8" (9.5MM)				1
85	22631105	FEED DOG 7/16" (11.1MM)				1
86	22631303	FEED DOG 1/2" (12.7MM)				1
87	22631402	FEED DOG 5/8" (15.9MM)				1
88	22631501	FEED DOG 3/4" (19.1MM)				1
89	22631709	FEED DOG 7/8" (2.2MM)				1
90	22631808	FEED DOG 1" (25.4MM)				1
91	22631907	FEED DOG 1.1/8" (28.6MM)				1
92	22632004	FEED DOG 1.1/4" (31.4MM)				1
93	22632103	FEED DOG 1.3/8" (34.9MM)				1
94	22632202	FEED DOG 1.1/2" (38.1MM)				1

TABLE OF EXCHANGING GAUGE PARTS (2)(FOR LH-4128(2))


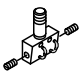
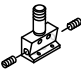


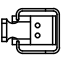
Needle gauge size 針 幅		Needle clamp asm. 針 留 組				Presser foot asm. 押 さ え(組)						
Code コート			 (Wire Type ワイヤタイプ)		 (Hole Type ハタタイプ)		 (Tip-divided) (移動式先割れ) 2.0mm		 (Tip-divided) (移動式先割れ) 2.4mm		 (Lower feed) (下送り)	
	inch	mm	Ref.No.	Part No.	Ref.No.	Part No.	Ref.No.	Part No.	Ref.No.	Part No.	Ref.No.	Part No.
B	1/8	3.2	1	400-26027	62	101-47650	19	400-35896	80	400-35896 (標準2.0mm)	53	103-91852
C	5/32	4.0	2	400-26029	63	101-47759	20	400-35897	61	400-71909		
D	3/16	4.8	3	400-26031	64	101-47858	21	226-40353	37	228-16557	54	103-92058
E	7/32	5.6	4	400-26033	65	101-47957	22	226-40452	38	228-16656		
F	1/4	6.4	5	400-26035	66	101-48054	23	226-40551	39	228-16755	55	103-92256
G	9/32	7.1	6	400-26037	67	101-48153	24	226-40759	40	228-16854		
H	5/16	7.9	7	400-26039	68	101-48252	25	226-40858	41	228-16953	56	103-92454
K	3/8	9.5	8	400-26041	69	101-48351	26	226-40957	42	228-17050		
W	7/16	11.1	9	400-26043	70	101-48450	27	226-41054	43	400-33941		
L	1/2	12.7	10	400-26045	71	101-48559	28	226-41252	44	228-17159	57	103-92751
M	5/8	15.9	11	400-26047	72	101-48658	29	226-41351	45	400-33945		
N	3/4	19.1	12	400-26049	73	101-48757	30	226-41450	46	400-33947	58	103-93056
P	7/8	22.2	13	400-26051	74	101-48856	31	226-41658	47	400-33949	59	228-44450
Q	1	25.4	14	400-26053	75	101-48955	32	226-41757	48	400-33951	60	228-44559
R	1-1/8	28.6	15	400-26055	76	101-49052	33	226-41856	49	400-33953		
S	1-1/4	31.8	16	400-26057	77	101-49151	34	226-41955	50	400-33955		
T	1-3/8	34.9	17	400-26059	78	101-49250	35	226-42052	51	400-33957		
U	1-1/2	38.1	18	400-26061	79	101-49359	36	226-42151	52	400-33959		
Stitch spec. 縫仕様	S		★				★				★	
	G				★				★			

TABLE OF EXCHANGING GAUGE PARTS (2)(FOR LH-4128(2))

No.	Parts No.	Parts name	Remarks	Level	Cons	Qty
1	40026027	ASSY_NEEDLE_CLAMP(1/8)				1
2	40026029	ASSY_NEEDLE_CLAMP(5/32)				1
3	40026031	ASSY_NEEDLE_CLAMP(3/16)				1
4	40026033	ASSY_NEEDLE_CLAMP(7/32)				1
5	40026035	ASSY_NEEDLE_CLAMP(1/4)				1
6	40026037	ASSY_NEEDLE_CLAMP(9/32)				1
7	40026039	ASSY_NEEDLE_CLAMP(5/16)				1
8	40026041	ASSY_NEEDLE_CLAMP(3/8)				1
9	40026043	ASSY_NEEDLE_CLAMP(7/16)				1
10	40026045	ASSY_NEEDLE_CLAMP(1/2)				1
11	40026047	ASSY_NEEDLE_CLAMP(5/8)				1
12	40026049	ASSY_NEEDLE_CLAMP(3/4)				1
13	40026051	ASSY_NEEDLE_CLAMP(7/8)				1
14	40026053	ASSY_NEEDLE_CLAMP(1)				1
15	40026055	ASSY_NEEDLE_CLAMP(1-1/8)				1
16	40026057	ASSY_NEEDLE_CLAMP(1-1/4)				1
17	40026059	ASSY_NEEDLE_CLAMP(1-3/8)				1
18	40026061	ASSY_NEEDLE_CLAMP(1-1/2)				1
19	40035896	PRESSER FOOT ASM.				1
20	40035897	PRESSER FOOT ASM.				1
21	22640353	PRESSER FOOT ASM.				1
22	22640452	PRESSER FOOT ASM.				1
23	22640551	PRESSER FOOT ASM.				1
24	22640759	PRESSER FOOT ASM.				1
25	22640858	PRESSER FOOT ASM.				1
26	22640957	PRESSER FOOT ASM.				1
27	22641054	PRESSER FOOT ASM.7/16"(11.1MM)				1
28	22641252	PRESSER FOOT ASM.				1
29	22641351	PRESSER FOOT ASM.				1
30	22641450	PRESSER FOOT ASM.				1
31	22641658	PRESSER FOOT ASM.				1
32	22641757	PRESSER FOOT ASM.				1
33	22641856	PRESSER FOOT ASM.				1
34	22641955	PRESSER FOOT ASM.				1
35	22642052	PRESSER FOOT ASM.				1
36	22642151	PRESSER FOOT ASM.				1
37	22816557	TIP-DIVIDED PRESSER ASM. 3/16				1
38	22816656	TIP-DIVIDED PRESSER ASM. 7/32				1
39	22816755	PRESSER FOOT ASM. 1/4				1
40	22816854	TIP-DIVIDED PRESSER ASM. 9/32				1
41	22816953	TIP-DIVIDED PRESSER ASM. 5/16				1
42	22817050	PRESSER FOOT ASM. D=2.4 (3/8)				1
43	40033941	TIP-DIVIDED_PRESSER_ASM_7/16				1
44	22817159	PRESSER FOOT ASM. D=2.4 (1/2)				1
45	40033945	TIP-DIVIDED_PRESSER_ASM_5/8				1
46	40033947	TIP-DIVIDED_PRESSER_ASM_3/4				1
47	40033949	TIP-DIVIDED_PRESSER_ASM_7/8				1

TABLE OF EXCHANGING GAUGE PARTS (2)(FOR LH-4128(2))


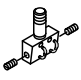
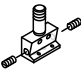


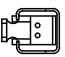



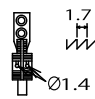
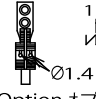
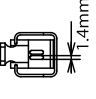
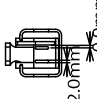
Needle gauge size 針 幅		Needle clamp asm. 針 留 組				Presser foot asm. 押 さ え(組)						
Code コート			 (Wire Type ワイヤタイプ)		 (Hole Type ハタタイプ)		 (Tip-divided) (移動式先割れ) 2.0mm		 (Tip-divided) (移動式先割れ) 2.4mm		 (Lower feed) (下送り)	
	inch	mm	Ref.No.	Part No.	Ref.No.	Part No.	Ref.No.	Part No.	Ref.No.	Part No.	Ref.No.	Part No.
B	1/8	3.2	1	400-26027	62	101-47650	19	400-35896	80	400-35896 (標準2.0mm)	53	103-91852
C	5/32	4.0	2	400-26029	63	101-47759	20	400-35897	61	400-71909		
D	3/16	4.8	3	400-26031	64	101-47858	21	226-40353	37	228-16557	54	103-92058
E	7/32	5.6	4	400-26033	65	101-47957	22	226-40452	38	228-16656		
F	1/4	6.4	5	400-26035	66	101-48054	23	226-40551	39	228-16755	55	103-92256
G	9/32	7.1	6	400-26037	67	101-48153	24	226-40759	40	228-16854		
H	5/16	7.9	7	400-26039	68	101-48252	25	226-40858	41	228-16953	56	103-92454
K	3/8	9.5	8	400-26041	69	101-48351	26	226-40957	42	228-17050		
W	7/16	11.1	9	400-26043	70	101-48450	27	226-41054	43	400-33941		
L	1/2	12.7	10	400-26045	71	101-48559	28	226-41252	44	228-17159	57	103-92751
M	5/8	15.9	11	400-26047	72	101-48658	29	226-41351	45	400-33945		
N	3/4	19.1	12	400-26049	73	101-48757	30	226-41450	46	400-33947	58	103-93056
P	7/8	22.2	13	400-26051	74	101-48856	31	226-41658	47	400-33949	59	228-44450
Q	1	25.4	14	400-26053	75	101-48955	32	226-41757	48	400-33951	60	228-44559
R	1-1/8	28.6	15	400-26055	76	101-49052	33	226-41856	49	400-33953		
S	1-1/4	31.8	16	400-26057	77	101-49151	34	226-41955	50	400-33955		
T	1-3/8	34.9	17	400-26059	78	101-49250	35	226-42052	51	400-33957		
U	1-1/2	38.1	18	400-26061	79	101-49359	36	226-42151	52	400-33959		
Stitch spec. 縫仕様	S		★				★				★	
	G						★		★			

TABLE OF EXCHANGING GAUGE PARTS (2)(FOR LH-4128(2))

No.	Parts No.	Parts name	Remarks	Level	Cons	Qty
48	40033951	TIP-DIVIDED_PRESSER_ASM_1				1
49	40033953	TIP-DIVIDED_PRESSER_ASM_1-1/8				1
50	40033955	TIP-DIVIDED_PRESSER_ASM_1-1/4				1
51	40033957	TIP-DIVIDED_PRESSER_ASM_1-3/8				1
52	40033959	TIP-DIVIDED_PRESSER_ASM_1-1/2				1
53	10391852	PRESSER FOOT ASM. 1/8				1
54	10392058	PRESSER FOOT ASM. 3/16				1
55	10392256	PRESSER FOOT ASM. 1/4				1
56	10392454	PRESSER FOOT ASM. 5/16				1
57	10392751	PRESSER FOOT ASM. 1/2				1
58	10393056	PRESSER FOOT ASM. 3/4				1
59	22844450	COMPENSATING PRESSER ASM,(7/8)				1
60	22844559	BOBBIN CASE ASM, HEAVY FABLIC.				1
61	40071909	TIP-DIVIDED PRESSER ASM. 3/16				1
62	10147650	NEEDLE CLAMP ASM. 1/8				1
63	10147759	NEEDLE CLAMP ASM. 5/32				1
64	10147858	NEEDLE CLAMP ASM. 3/16				1
65	10147957	NEEDLE CLAMP ASM. 7/32				1
66	10148054	NEEDLE CLAMP ASM. 1/4				1
67	10148153	NEEDLE CLAMP ASM. 9/32				1
68	10148252	NEEDLE CLAMP ASM. 5/16				1
69	10148351	NEEDLE CLAMP ASM. 3/8				1
70	10148450	NEEDLE CLAMP ASM. 7/16				1
71	10148559	NEEDLE CLAMP ASM. 1/2				1
72	10148658	NEEDLE CLAMP ASM. 5/8				1
73	10148757	NEEDLE CLAMP ASM. 3/4				1
74	10148856	NEEDLE CLAMP ASM. 7/8				1
75	10148955	NEEDLE CLAMP ASM. 1				1
76	10149052	NEEDLE CLAMP ASM. 1-1/8				1
77	10149151	NEEDLE CLAMP ASM. 1-1/4				1
78	10149250	NEEDLE CLAMP ASM. 1-3/8				1
79	10149359	NEEDLE CLAMP ASM. 1-1/2				1
80	40035896	PRESSER FOOT ASM.				1

TABLE OF EXCHANGING GAUGE PARTS (3)(FOR LH-4128*F)

Needle gauge size 針 幅			Throat plate 針 板		Throat plate for Taping テープ付用針板		Feed dog 送り歯				Presser foot asm. 押 さ え(組)		Swivel guide Presser asm. スワイヤルガイド 押さえ(組)	
Code コード														
	inch	mm	Ref.No.	Part No.	Ref.No.	Part No.	Ref.No.	Part No.	Ref.No.	Part No.	Ref.No.	Part No.	Ref.No.	Part No.
B	1/8	3.2	1	226-25107	7	226-28002	13	400-33563	19	400-35883	25	226-27152	31	226-47051
D	3/16	4.8	2	226-25305	8	226-28200	14	400-33564	20	400-35884	26	226-27350	32	226-47150
E	7/32	5.6	3	226-25404	9	226-28309	15	400-33565	21	400-35885	27	226-27459	33	226-47259
F	1/4	6.4	4	226-25503	10	226-28408	16	400-33566	22	400-35886	28	226-27558	34	226-47358
G	9/32	7.1	5	226-25602	11	226-28507	17	400-33567	23	400-35887	29	226-27657	35	226-47457
H	5/16	7.9	6	226-25701	12	226-28606	18	400-33568	24	400-35888	30	226-27756	36	226-47556


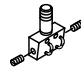




Needle gauge size 針 幅			Needle clamp asm. 針留組		Sliding plate asm. (Left) 滑り板(左)組		Sliding plate asm. (Right) 滑り板(右)組		Sliding plate asm. (Front) 滑り板(前)組		Sliding plate asm. (Front)(with Taping) 滑り板(前)組(テープ付用)	
Code コード												
	inch	mm	Ref.No.	Part No.	Ref.No.	Part No.	Ref.No.	Part No.	Ref.No.	Part No.	Ref.No.	Part No.
B	1/8	3.2	37	400-26027	43	226-01058	44	226-00555	45	400-34931	46	232-06709
D	3/16	4.8	38	400-26031								
E	7/32	5.6	39	400-26033								
F	1/4	6.4	40	400-26035								
G	9/32	7.1	41	400-26037								
H	5/16	7.9	42	400-26039								

TABLE OF EXCHANGING GAUGE PARTS (3)(FOR LH-4128*F)

No.	Parts No.	Parts name	Remarks	Level	Cons	Qty
1	22625107	THROAT PLATE 1/8" (3.2MM)				1
2	22625305	THROAT PLATE 3/16" (4.8MM)				1
3	22625404	THROAT PLATE 7/32" (5.6MM)				1
4	22625503	THROAT PLATE 1/4				1
5	22625602	THROAT PLATE 9/32" (7.1MM)				1
6	22625701	THROAT PLATE 5/16" (7.9MM)				1
7	22628002	THROAT PLATE 1/8				1
8	22628200	THROAT PLATE 3/16				1
9	22628309	THROAT PLATE, 7/32				1
10	22628408	THROAT PLATE 1/4				1
11	22628507	THROAT PLATE 9/32				1
12	22628606	TAPING THROT PLATE 5/16				1
13	40033563	FEED_DOG_TYPE_F_1/8				1
14	40033564	FEED_DOG_TYPE_F_3/16				1
15	40033565	FEED_DOG_TYPE_F_7/32				1
16	40033566	FEED_DOG_TYPE_F_1/4				1
17	40033567	FEED_DOG_TYPE_F_9/32				1
18	40033568	FEED_DOG_TYPE_F_5/16				1
19	40035883	FEED_DOG_TYPE_F_1/8				1
20	40035884	FEED_DOG_TYPE_F_3/16				1
21	40035885	FEED_DOG_TYPE_F_7/32				1
22	40035886	FEED_DOG_TYPE_F_1/4				1
23	40035887	FEED_DOG_TYPE_F_9/32				1
24	40035888	FEED_DOG_TYPE_F_5/16				1
25	22627152	PRESSER FOOT F ASM. 1/8				1
26	22627350	F PRESSER FOOT ASM. 3/16				1
27	22627459	PRESSER FOOT ASM., 7/32				1
28	22627558	PRESSER FOOT F ASM. 1/4				1
29	22627657	PRESSER FOOT ASM., F 9/32				1
30	22627756	PRESSER FOOT ASM., F 5/16				1
31	22647051	SWIVEL GUIDE PRESSER 1/8" ASM.				1
32	22647150	GUIDE PRESSER ASM. 3/16				1
33	22647259	GUIDE PRESSER ASM. 7/32				1
34	22647358	GUIDE PRESSER ASM. 1/4				1
35	22647457	GUIDE PRESSER ASM. 9/32				1
36	22647556	SWIVEL GUIDE PRESSER 5/16" ASM.				1
37	40026027	ASSY_NEEDLE_CLAMP(1/8)				1
38	40026031	ASSY_NEEDLE_CLAMP(3/16)				1
39	40026033	ASSY_NEEDLE_CLAMP(7/32)				1
40	40026035	ASSY_NEEDLE_CLAMP(1/4)				1
41	40026037	ASSY_NEEDLE_CLAMP(9/32)				1
42	40026039	ASSY_NEEDLE_CLAMP(5/16)				1
43	22601058	BED SLIDE LEFT, ASM., A				1
44	22600555	BED SLIDE RIGHT, ASM., A				1
45	40034931	ASSY_SLIDE_PLATE-F				1
46	23206709	BED SLIDE (FRONT)A				1

TABLE OF EXCHANGING GAUGE PARTS (4)(FOR LH-4128-7(1))

Needle gauge size 針 幅			Throat plate 針 板		Feed dog 送 り 歯					Presser foot asm. 押 さ え(組)				
Code コ-ド														
	inch	mm	Ref.No.	Part No.	Ref.No.	Part No.	Ref.No.	Part No.	Ref.No.	Part No.	Ref.No.	Part No.	Ref.No.	Part No.
B	1/8	3.2	1	400-35881	78	400-61270	17	400-35890	33	400-53705	48	400-35896	93	400-35896 (隙間2.0mm)
C	5/32	4.0	2	400-25485	79	400-61271	18	400-25817			49	400-35897	94	400-71909
D	3/16	4.8	3	400-25490	80	400-61272	19	400-25818	34	400-25831	50	226-40353	64	228-16557
E	7/32	5.6	4	400-25491	81	400-61273	20	400-25819	35	400-25832	51	226-40452	65	228-16656
F	1/4	6.4	5	400-25492	82	400-61274	21	400-26715	36	400-25833	52	226-40551	66	228-16755
G	9/32	7.1	6	400-25493	83	400-61275	22	400-25820	37	400-25834	53	226-40759	67	228-16854
H	5/16	7.9	7	400-25494	84	400-61276	23	400-25821	38	400-25835	54	226-40858	68	228-16953
K	3/8	9.5	8	400-25495	85	400-61277	24	400-25822	39	400-25836	55	226-40957	69	228-17050
W	7/16	11.1	9	400-25496			25	400-25823	40	400-25837	56	226-41054	70	400-33941
L	1/2	12.7	10	400-25498	86	400-61278	26	400-25824	41	400-25838	57	226-41252	71	228-17159
M	5/8	15.9	11	400-25499	87	400-61279	27	400-25825	42	400-25839	58	226-41351	72	400-33945
N	3/4	19.1	12	400-25500	88	400-61280	28	400-25826	43	400-25840	59	226-41450	73	400-33947
P	7/8	22.2	13	400-25502	89	400-61281	29	400-25827	44	400-25841	60	226-41658	74	400-33949
Q	1	25.4	14	400-25503	90	400-61282	30	400-25828	45	400-25842	61	226-41757	75	400-33951
R	1-1/8	28.6	15	400-25504	91	400-61283	31	400-25829	46	400-25843	62	226-41856	76	400-33953
S	1-1/4	31.8	16	400-25505	92	400-61284	32	400-25830	47	400-25844	63	226-41955	77	400-33955
Stitch spec. 縫 仕 様	S		Spec. common		★		★		★		★		★	
	G		仕様共通											

TABLE OF EXCHANGING GAUGE PARTS (4)(FOR LH-4128-7(1))

No.	Parts No.	Parts name	Remarks	Level	Cons	Qty
1	40035881	THROAT_PLATE_TRIM_1/8				1
2	40025485	THROAT_PLATE_TRIM 5/32				1
3	40025490	THROAT_PLATE_TRIM-3/16				1
4	40025491	THROAT_PLATE_TRIM-7/32				1
5	40025492	THROAT_PLATE_TRIM-1/4				1
6	40025493	THROAT_PLATE_TRIM-9/32				1
7	40025494	THROAT_PLATE_TRIM-5/16				1
8	40025495	THROAT_PLATE_TRIM-3/8				1
9	40025496	THROAT_PLATE_TRIM-7/16				1
10	40025498	THROAT_PLATE_TRIM-1/2				1
11	40025499	THROAT_PLATE_TRIM-5/8				1
12	40025500	THROAT_PLATE_TRIM-3/4				1
13	40025502	THROAT_PLATE_TRIM-7/8				1
14	40025503	THROAT_PLATE_TRIM-1				1
15	40025504	THROAT_PLATE_TRIM-1-1/8				1
16	40025505	THROAT_PLATE_TRIM-1-1/4				1
17	40035890	FEED_DOG_TYPE-S 1/8				1
18	40025817	FEED_DOG_TYPE-S 5/32				1
19	40025818	FEED_DOG_TYPE-S 3/16				1
20	40025819	FEED_DOG_TYPE-S 7/32				1
21	40026715	FEED_DOG_TYPE-S 1/4				1
22	40025820	FEED_DOG_TYPE-S 9/32				1
23	40025821	FEED_DOG_TYPE-S 5/16				1
24	40025822	FEED_DOG_TYPE-S 3/8				1
25	40025823	FEED_DOG_TYPE-S 7/16				1
26	40025824	FEED_DOG_TYPE-S 1/2				1
27	40025825	FEED_DOG_TYPE-S 5/8				1
28	40025826	FEED_DOG_TYPE-S 3/4				1
29	40025827	FEED_DOG_TYPE-S 7/8				1
30	40025828	FEED_DOG_TYPE-S 1				1
31	40025829	FEED_DOG_TYPE-S 1 1/8				1
32	40025830	FEED_DOG_TYPE-S 1 1/4				1
33	40053705	FEED_DOG_TYPE_7G_1/8				1
34	40025831	FEED_DOG_TYPE-G 3/16				1
35	40025832	FEED_DOG_TYPE-G 7/32				1
36	40025833	FEED_DOG_TYPE-G 1/4				1
37	40025834	FEED_DOG_TYPE-G 9/32				1
38	40025835	FEED_DOG_TYPE-G 5/16				1
39	40025836	FEED_DOG_TYPE-G 3/8				1
40	40025837	FEED_DOG_TYPE-G 7/16				1
41	40025838	FEED_DOG_TYPE-G 1/2				1
42	40025839	FEED_DOG_TYPE-G 5/8				1
43	40025840	FEED_DOG_TYPE-G 3/4				1
44	40025841	FEED_DOG_TYPE-G 7/8				1
45	40025842	FEED_DOG_TYPE-G 1				1
46	40025843	FEED_DOG_TYPE-G 1-1/8				1
47	40025844	FEED_DOG_TYPE-G 1-1/4				1

TABLE OF EXCHANGING GAUGE PARTS (4)(FOR LH-4128-7(1))

Needle gauge size 針 幅			Throat plate 針 板		Feed dog 送 り 歯					Presser foot asm. 押 さ え(組)				
Code コ-ド														
	inch	mm	Ref.No.	Part No.	Ref.No.	Part No.	Ref.No.	Part No.	Ref.No.	Part No.	Ref.No.	Part No.	Ref.No.	Part No.
B	1/8	3.2	1	400-35881	78	400-61270	17	400-35890	33	400-53705	48	400-35896	93	400-35896 (隙間2.0mm)
C	5/32	4.0	2	400-25485	79	400-61271	18	400-25817			49	400-35897	94	400-71909
D	3/16	4.8	3	400-25490	80	400-61272	19	400-25818	34	400-25831	50	226-40353	64	228-16557
E	7/32	5.6	4	400-25491	81	400-61273	20	400-25819	35	400-25832	51	226-40452	65	228-16656
F	1/4	6.4	5	400-25492	82	400-61274	21	400-26715	36	400-25833	52	226-40551	66	228-16755
G	9/32	7.1	6	400-25493	83	400-61275	22	400-25820	37	400-25834	53	226-40759	67	228-16854
H	5/16	7.9	7	400-25494	84	400-61276	23	400-25821	38	400-25835	54	226-40858	68	228-16953
K	3/8	9.5	8	400-25495	85	400-61277	24	400-25822	39	400-25836	55	226-40957	69	228-17050
W	7/16	11.1	9	400-25496			25	400-25823	40	400-25837	56	226-41054	70	400-33941
L	1/2	12.7	10	400-25498	86	400-61278	26	400-25824	41	400-25838	57	226-41252	71	228-17159
M	5/8	15.9	11	400-25499	87	400-61279	27	400-25825	42	400-25839	58	226-41351	72	400-33945
N	3/4	19.1	12	400-25500	88	400-61280	28	400-25826	43	400-25840	59	226-41450	73	400-33947
P	7/8	22.2	13	400-25502	89	400-61281	29	400-25827	44	400-25841	60	226-41658	74	400-33949
Q	1	25.4	14	400-25503	90	400-61282	30	400-25828	45	400-25842	61	226-41757	75	400-33951
R	1-1/8	28.6	15	400-25504	91	400-61283	31	400-25829	46	400-25843	62	226-41856	76	400-33953
S	1-1/4	31.8	16	400-25505	92	400-61284	32	400-25830	47	400-25844	63	226-41955	77	400-33955
Stitch spec. 縫 仕 様	S		Spec. common		★		★		★		★		★	
	G		仕 様 共 通						★				★	

TABLE OF EXCHANGING GAUGE PARTS (4)(FOR LH-4128-7(1))

No.	Parts No.	Parts name	Remarks	Level	Cons	Qty
48	40035896	PRESSER FOOT ASM.				1
49	40035897	PRESSER FOOT ASM.				1
50	22640353	PRESSER FOOT ASM.				1
51	22650452	PRESSER FOOT ASM.				1
52	22640551	PRESSER FOOT ASM.				1
53	22640759	PRESSER FOOT ASM.				1
54	22640858	PRESSER FOOT ASM.				1
55	22640957	PRESSER FOOT ASM.				1
56	22641054	PRESSER FOOT ASM.7/16"(11.1MM)				1
57	22641252	PRESSER FOOT ASM.				1
58	22641351	PRESSER FOOT ASM.				1
59	22641450	PRESSER FOOT ASM.				1
60	22641658	PRESSER FOOT ASM.				1
61	22641757	PRESSER FOOT ASM.				1
62	22641856	PRESSER FOOT ASM.				1
63	22641955	PRESSER FOOT ASM.				1
64	22816557	TIP-DIVIDED PRESSER ASM. 3/16				1
65	22816656	TIP-DIVIDED PRESSER ASM. 7/32				1
66	22816755	PRESSER FOOT ASM. 1/4				1
67	22816854	TIP-DIVIDED PRESSER ASM. 9/32				1
68	22816953	TIP-DIVIDED PRESSER ASM. 5/16				1
69	22817050	PRESSER FOOT ASM. D=2.4 (3/8)				1
70	40033941	TIP-DIVIDED_PRESSER_ASM_7/16				1
71	22817159	PRESSER FOOT ASM. D=2.4 (1/2)				1
72	40033945	TIP-DIVIDED_PRESSER_ASM_5/8				1
73	40033947	TIP-DIVIDED_PRESSER_ASM_3/4				1
74	40033949	TIP-DIVIDED_PRESSER_ASM_7/8				1
75	40033951	TIP-DIVIDED_PRESSER_ASM_1				1
76	40033953	TIP-DIVIDED_PRESSER_ASM_1-1/8				1
77	40033955	TIP-DIVIDED_PRESSER_ASM_1-1/4				1
78	40061270	FEED_DOG_TYPE-S 1/8				1
79	40061271	FEED_DOG_TYPE-S 5/32				1
80	40061272	FEED_DOG_TYPE-S 3/16				1
81	40061273	FEED_DOG_TYPE-S 7/32				1
82	40061274	FEED_DOG_TYPE-S 1/4				1
83	40061275	FEED_DOG_TYPE-S 9/32				1
84	40061276	FEED_DOG_TYPE-S 5/16				1
85	40061277	FEED_DOG_TYPE-S 3/8				1
86	40061278	FEED_DOG_TYPE-S 1/2				1
87	40061279	FEED_DOG_TYPE-S 5/8				1
88	40061280	FEED_DOG_TYPE-S 3/4				1
89	40061281	FEED_DOG_TYPE-S 7/8				1
90	40061282	FEED_DOG_TYPE-S 1				1
91	40061283	FEED_DOG_TYPE-S 1 1/8				1
92	40061284	FEED_DOG_TYPE-S 1 1/4				1
93	40035896	PRESSER FOOT ASM.				1
94	40071909	PRESSER_FOOT_ASM_G_5/32				1

TABLE OF EXCHANGING GAUGE PARTS (5)(FOR LH-4128-7(2))


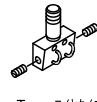
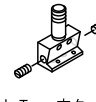
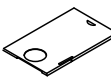
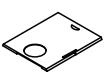
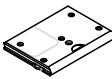

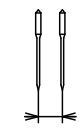



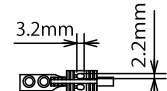
Needle gauge size 針 幅		Needle clamp asm. 針 留 組				Sliding plate asm. (Left) 滑り板(左)組		Sliding plate asm. (Right) 滑り板(右)組		Sliding plate asm. (Front) 滑り板(前)組		Wiper ワイパー		
Code コード			 (Wire Type ワイヤタイプ)		 (Hole Type ホタイプ)									
	inch	mm	Ref.No.	Part No.	Ref.No.	Part No.	Ref.No.	Part No.	Ref.No.	Part No.	Ref.No.	Part No.	Ref.No.	Part No.
B	1/8	3.2	1	400-26027	30	101-47650	17	400-25247	21	400-25235	25	400-31358	26	102-09203
C	5/32	4.0	2	400-26029	31	101-47759								
D	3/16	4.8	3	400-26031	32	101-47858								
E	7/32	5.6	4	400-26033	33	101-47957								
F	1/4	6.4	5	400-26035	34	101-48054								
G	9/32	7.1	6	400-26037	35	101-48153								
H	5/16	7.9	7	400-26039	36	101-48252								
K	3/8	9.5	8	400-26041	37	101-48351								
W	7/16	11.1	9	400-26043	38	101-48450								
L	1/2	12.7	10	400-26045	39	101-48559								
M	5/8	15.9	11	400-26047	40	101-48658	18	400-25248	22	400-25236	27	102-09500		
N	3/4	19.1	12	400-26049	41	101-48757	19	400-25249	23	400-25239	28	102-09807		
P	7/8	22.2	13	400-26051	42	101-48856								
Q	1	25.4	14	400-26053	43	101-48955								
R	1-1/8	28.6	15	400-26055	44	101-49052	20	400-25250	24	400-25240	29	102-09906		
S	1-1/4	31.8	16	400-26057	45	101-49151								
Stitch spec. 縫仕様	S	★				Spec. common 仕様共通		Spec. common 仕様共通		Spec. common 仕様共通		Spec. common 仕様共通		
	G	★				Spec. common 仕様共通		Spec. common 仕様共通		Spec. common 仕様共通		Spec. common 仕様共通		

TABLE OF EXCHANGING GAUGE PARTS (5)(FOR LH-4128-7(2))

No.	Parts No.	Parts name	Remarks	Level	Cons	Qty
1	40026027	ASSY_NEEDLE_CLAMP(1/8)				1
2	40026029	ASSY_NEEDLE_CLAMP(5/32)				1
3	40026031	ASSY_NEEDLE_CLAMP(3/16)				1
4	40026033	ASSY_NEEDLE_CLAMP(7/32)				1
5	40026035	ASSY_NEEDLE_CLAMP(1/4)				1
6	40026037	ASSY_NEEDLE_CLAMP(9/32)				1
7	40026039	ASSY_NEEDLE_CLAMP(5/16)				1
8	40026041	ASSY_NEEDLE_CLAMP(3/8)				1
9	40026043	ASSY_NEEDLE_CLAMP(7/16)				1
10	40026045	ASSY_NEEDLE_CLAMP(1/2)				1
11	40026047	ASSY_NEEDLE_CLAMP(5/8)				1
12	40026049	ASSY_NEEDLE_CLAMP(3/4)				1
13	40026051	ASSY_NEEDLE_CLAMP(7/8)				1
14	40026053	ASSY_NEEDLE_CLAMP(1)				1
15	40026055	ASSY_NEEDLE_CLAMP(1-1/8)				1
16	40026057	ASSY_NEEDLE_CLAMP(1-1/4)				1
17	40025247	ASSY_SLIDE_PLATE-L-A				1
18	40025248	ASSY_SLIDE_PLATE-L-B				1
19	40025249	ASSY_SLIDE_PLATE-L-C				1
20	40025250	ASSY_SLIDE_PLATE-L-D				1
21	40025235	ASSY_SLIDE_PLATE-R-A				1
22	40025236	ASSY_SLIDE_PLATE-R-B				1
23	40025239	ASSY_SLIDE_PLATE-R-C				1
24	40025240	ASSY_SLIDE_PLATE-R-D				1
25	40031358	ASSY_SLIDE_PLATE-F				1
26	10209203	WIPER 3/32"-3/8				1
27	10209500	WIPER				1
28	10209807	WIPER				1
29	10209906	WIPER				1
30	10147650	NEEDLE CLAMP ASM. 1/8				1
31	10147759	NEEDLE CLAMP ASM. 5/32				1
32	10147858	NEEDLE CLAMP ASM. 3/16				1
33	10147957	NEEDLE CLAMP ASM. 7/32				1
34	10148054	NEEDLE CLAMP ASM. 1/4				1
35	10148153	NEEDLE CLAMP ASM. 9/32				1
36	10148252	NEEDLE CLAMP ASM. 5/16				1
37	10148351	NEEDLE CLAMP ASM. 3/8				1
38	10148450	NEEDLE CLAMP ASM. 7/16				1
39	10148559	NEEDLE CLAMP ASM. 1/2				1
40	10148658	NEEDLE CLAMP ASM. 5/8				1
41	10148757	NEEDLE CLAMP ASM. 3/4				1
42	10148856	NEEDLE CLAMP ASM. 7/8				1
43	10148955	NEEDLE CLAMP ASM. 1				1
44	10149052	NEEDLE CLAMP ASM. 1-1/8				1
45	10149151	NEEDLE CLAMP ASM. 1-1/4				1

TABLE OF EXCHANGING GAUGE PARTS (6)(FOR LH-4168-7(1))

Needle gauge size 針 幅			Throat plate 針 板				Feed dog 送 り 歯					
Code コード												
	inch	mm	Ref.No.	Part No.	Ref.No.	Part No.	Ref.No.	Part No.	Ref.No.	Part No.		
B	1/8	3.2	1	400-35881	13	400-61270	25	400-35890	37	400-53705		
C	5/32	4.0	2	400-25485	14	400-61271	26	400-25817				
D	3/16	4.8	3	400-25490	15	400-61272	27	400-25818	38	400-25831		
E	7/32	5.6	4	400-25491	16	400-61273	28	400-25819	39	400-25832		
F	1/4	6.4	5	400-25492	17	400-61274	29	400-26715	40	400-25833		
G	9/32	7.1	6	400-25493	18	400-61275	30	400-25820	41	400-25834		
H	5/16	7.9	7	400-25494	19	400-61276	31	400-25821	42	400-25835		
K	3/8	9.5	8	400-25495	20	400-61277	32	400-25822	43	400-25836		
L	1/2	12.7	9	400-25498	21	400-61278	33	400-25824	44	400-25838		
M	5/8	15.9	10	400-25499	22	400-61279	34	400-25825	45	400-25839		
N	3/4	19.1	11	400-25500	23	400-61280	35	400-25826	46	400-25840		
Q	1	25.4	12	400-25503	24	400-61282	36	400-25828	47	400-25842		
Stitch spec. 縫 仕 様	S		Spec. common				★		★			
	G		仕 様 共 通								★	

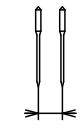
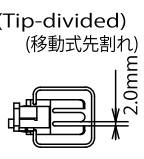
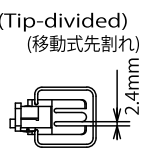
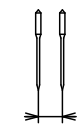



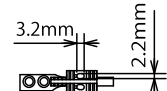
Needle gauge size 針 幅			Presser foot asm. 押 さ え(組)			
Code コード						
	inch	mm	Ref.No.	Part No.	Ref.No.	Part No.
B	1/8	3.2	48	400-35896	60	400-35896 (隙間2.0mm)
C	5/32	4.0	49	400-35897	61	400-71909
D	3/16	4.8	50	226-40353	62	228-16557
E	7/32	5.6	51	226-40452	63	228-16656
F	1/4	6.4	52	226-40551	64	228-16755
G	9/32	7.1	53	226-40759	65	228-16854
H	5/16	7.9	54	226-40858	66	228-16953
K	3/8	9.5	55	226-40957	67	228-17050
L	1/2	12.7	56	226-41252	68	228-17159
M	5/8	15.9	57	226-41351	69	400-33945
N	3/4	19.1	58	226-41450	70	400-33947
Q	1	25.4	59	226-41757	71	400-33951
Stitch spec. 縫 仕 様	S		★			
	G		★			

TABLE OF EXCHANGING GAUGE PARTS (6)(FOR LH-4168-7(1))

No.	Parts No.	Parts name	Remarks	Level	Cons	Qty
1	40035881	THROAT_PLATE_TRIM_1/8				1
2	40025485	THROAT_PLATE_TRIM 5/32				1
3	40025490	THROAT_PLATE_TRIM-3/16				1
4	40025491	THROAT_PLATE_TRIM-7/32				1
5	40025492	THROAT_PLATE_TRIM-1/4				1
6	40025493	THROAT_PLATE_TRIM-9/32				1
7	40025494	THROAT_PLATE_TRIM-5/16				1
8	40025495	THROAT_PLATE_TRIM-3/8				1
9	40025498	THROAT_PLATE_TRIM-1/2				1
10	40025499	THROAT_PLATE_TRIM-5/8				1
11	40025500	THROAT_PLATE_TRIM-3/4				1
12	40025503	THROAT_PLATE_TRIM-1				1
13	40061270	FEED_DOG_TYPE-S 1/8				1
14	40061271	FEED_DOG_TYPE-S 5/32				1
15	40061272	FEED_DOG_TYPE-S 3/16				1
16	40061273	FEED_DOG_TYPE-S 7/32				1
17	40061274	FEED_DOG_TYPE-S 1/4				1
18	40061275	FEED_DOG_TYPE-S 9/32				1
19	40061276	FEED_DOG_TYPE-S 5/16				1
20	40061277	FEED_DOG_TYPE-S 3/8				1
21	40061278	FEED_DOG_TYPE-S 1/2				1
22	40061279	FEED_DOG_TYPE-S 5/8				1
23	40061280	FEED_DOG_TYPE-S 3/4				1
24	40061282	FEED_DOG_TYPE-S 1				1
25	40035890	FEED_DOG_TYPE-S 1/8				1
26	40025817	FEED_DOG_TYPE-S 5/32				1
27	40025818	FEED_DOG_TYPE-S 3/16				1
28	40025819	FEED_DOG_TYPE-S 7/32				1
29	40026715	FEED_DOG_TYPE-S 1/4				1
30	40025820	FEED_DOG_TYPE-S 9/32				1
31	40025821	FEED_DOG_TYPE-S 5/16				1
32	40025822	FEED_DOG_TYPE-S 3/8				1
33	40028524	WIRING DIAGRAM 60R				1
34	40025825	FEED_DOG_TYPE-S 5/8				1
35	40025826	FEED_DOG_TYPE-S 3/4				1
36	40025828	FEED_DOG_TYPE-S 1				1
37	40053705	FEED_DOG_TYPE_7G_1/8				1
38	40025831	FEED_DOG_TYPE-G 3/16				1
39	40025832	FEED_DOG_TYPE-G 7/32				1
40	40025833	FEED_DOG_TYPE-G 1/4				1
41	40025834	FEED_DOG_TYPE-G 9/32				1
42	40025835	FEED_DOG_TYPE-G 5/16				1
43	40025836	FEED_DOG_TYPE-G 3/8				1
44	40025838	FEED_DOG_TYPE-G 1/2				1
45	40025839	FEED_DOG_TYPE-G 5/8				1
46	40025840	FEED_DOG_TYPE-G 3/4				1
47	40025842	FEED_DOG_TYPE-G 1				1

TABLE OF EXCHANGING GAUGE PARTS (6)(FOR LH-4168-7(1))

Needle gauge size 針 幅			Throat plate 針 板				Feed dog 送 り 歯					
Code コード												
	inch	mm	Ref.No.	Part No.	Ref.No.	Part No.	Ref.No.	Part No.	Ref.No.	Part No.		
B	1/8	3.2	1	400-35881	13	400-61270	25	400-35890	37	400-53705		
C	5/32	4.0	2	400-25485	14	400-61271	26	400-25817				
D	3/16	4.8	3	400-25490	15	400-61272	27	400-25818	38	400-25831		
E	7/32	5.6	4	400-25491	16	400-61273	28	400-25819	39	400-25832		
F	1/4	6.4	5	400-25492	17	400-61274	29	400-26715	40	400-25833		
G	9/32	7.1	6	400-25493	18	400-61275	30	400-25820	41	400-25834		
H	5/16	7.9	7	400-25494	19	400-61276	31	400-25821	42	400-25835		
K	3/8	9.5	8	400-25495	20	400-61277	32	400-25822	43	400-25836		
L	1/2	12.7	9	400-25498	21	400-61278	33	400-25824	44	400-25838		
M	5/8	15.9	10	400-25499	22	400-61279	34	400-25825	45	400-25839		
N	3/4	19.1	11	400-25500	23	400-61280	35	400-25826	46	400-25840		
Q	1	25.4	12	400-25503	24	400-61282	36	400-25828	47	400-25842		
Stitch spec. 縫 仕 様	S		Spec. common 仕 様 共 通				★		★		★	
	G										★	

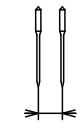
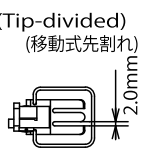
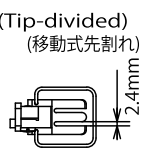

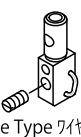
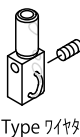
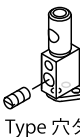
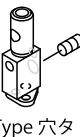
Needle gauge size 針 幅			Presser foot asm. 押 さ え(組)			
Code コード						
	inch	mm	Ref.No.	Part No.	Ref.No.	Part No.
B	1/8	3.2	48	400-35896	60	400-35896 (隙間2.0mm)
C	5/32	4.0	49	400-35897	61	400-71909
D	3/16	4.8	50	226-40353	62	228-16557
E	7/32	5.6	51	226-40452	63	228-16656
F	1/4	6.4	52	226-40551	64	228-16755
G	9/32	7.1	53	226-40759	65	228-16854
H	5/16	7.9	54	226-40858	66	228-16953
K	3/8	9.5	55	226-40957	67	228-17050
L	1/2	12.7	56	226-41252	68	228-17159
M	5/8	15.9	57	226-41351	69	400-33945
N	3/4	19.1	58	226-41450	70	400-33947
Q	1	25.4	59	226-41757	71	400-33951
Stitch spec. 縫 仕 様	S		★			
	G		★			

TABLE OF EXCHANGING GAUGE PARTS (6)(FOR LH-4168-7(1))

No.	Parts No.	Parts name	Remarks	Level	Cons	Qty
48	40035896	PRESSER FOOT ASM.				1
49	40035897	PRESSER FOOT ASM.				1
50	22640353	PRESSER FOOT ASM.				1
51	22640452	PRESSER FOOT ASM.				1
52	22640551	PRESSER FOOT ASM.				1
53	22640759	PRESSER FOOT ASM.				1
54	22640858	PRESSER FOOT ASM.				1
55	22640957	PRESSER FOOT ASM.				1
56	22641252	PRESSER FOOT ASM.				1
57	22641351	PRESSER FOOT ASM.				1
58	22641450	PRESSER FOOT ASM.				1
59	22641757	PRESSER FOOT ASM.				1
60	40035896	PRESSER FOOT ASM.				1
61	40071909	PRESSER_FOOT_ASM._G_5/32				1
62	22816557	TIP-DIVIDED PRESSER ASM. 3/16				1
63	22816656	TIP-DIVIDED PRESSER ASM. 7/32				1
64	22816755	PRESSER FOOT ASM. 1/4				1
65	22816854	TIP-DIVIDED PRESSER ASM. 9/32				1
66	22816953	TIP-DIVIDED PRESSER ASM. 5/16				1
67	22817050	PRESSER FOOT ASM. D=2.4 (3/8)				1
68	22817159	PRESSER FOOT ASM. D=2.4 (1/2)				1
69	40033945	TIP-DIVIDED_PRESSER_ASM._5/8				1
70	40033947	TIP-DIVIDED_PRESSER_ASM._3/4				1
71	40033951	TIP-DIVIDED_PRESSER_ASM._1				1

TABLE OF EXCHANGING GAUGE PARTS (7)(FOR LH-4168-7(2))

Needle gauge size 針 幅		Needle clamp asm. (Left) 針 留(左)組		Needle clamp asm. (Right) 針 留(右)組		Needle clamp asm. (Left) 針 留(左)組		Needle clamp asm. (Right) 針 留(右)組		
Code コード			 (Wire Type ワイヤタイプ)		 (Wire Type ワイヤタイプ)		 (Hole Type ホタタイプ)		 (Hole Type ホタタイプ)	
	inch	mm	Ref.No.	Part No.	Ref.No.	Part No.	Ref.No.	Part No.	Ref.No.	Part No.
B	1/8	3.2	1	400-35877	13	400-35878	25	B1402-526-BA0-A	37	B1402-526-BA0-A
C	5/32	4.0	2	400-26063	14	400-26084	26	B1402-526-CA0-A	38	B1402-526-CA0-A
D	3/16	4.8	3	400-26065	15	400-26086	27	B1402-526-DAL-A	39	B1402-526-DAR-A
E	7/32	5.6	4	400-26067	16	400-26088	28	102-28559	40	102-28567
F	1/4	6.4	5	400-26069	17	400-26090	29	B1402-526-FAL-A	41	B1402-526-FAR-A
G	9/32	7.1	6	400-26070	18	400-26091	30	B1402-526-GAL-A	42	B1402-526-GAR-A
H	5/16	7.9	7	400-26072	19	400-26093	31	B1402-526-HAL-A	43	B1402-526-HAR-A
K	3/8	9.5	8	400-26074	20	400-26095	32	B1402-526-KAL-A	44	B1402-526-KAR-A
L	1/2	12.7	9	400-26076	21	400-26097	33	B1402-526-LAL-A	45	B1402-526-LAR-A
M	5/8	15.9	10	400-26078	22	400-26099	34	102-28856	46	102-28864
N	3/4	19.1	11	400-26080	23	400-26101	35	102-28955	47	102-28963
Q	1	25.4	12	400-26082	24	400-26103	36	102-29151	48	102-29169
Stitch spec. 縫仕様	S		★		★		★		★	
	G									

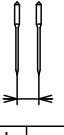
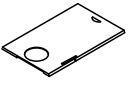

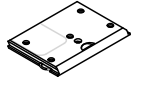


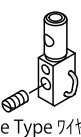
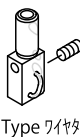
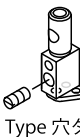
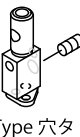
Needle gauge size 針 幅		Sliding plate asm. (Left) 滑り板(左)組		Sliding plate asm. (Right) 滑り板(右)組		Sliding plate asm. (Front) 滑り板(前)組		Wiper ワイパー		
Code コード										
	inch	mm	Ref.No.	Part No.	Ref.No.	Part No.	Ref.No.	Part No.	Ref.No.	Part No.
B	1/8	3.2	49	400-25247	52	400-25235	55	400-31358	56	102-09203
C	5/32	4.0								
D	3/16	4.8								
E	7/32	5.6								
F	1/4	6.4								
G	9/32	7.1								
H	5/16	7.9								
K	3/8	9.5	50	400-25248	53	400-25236		57	102-09500	
L	1/2	12.7								
M	5/8	15.9								
N	3/4	19.1	51	400-25249	54	400-25239		58	102-09807	
Q	1	25.4								
Stitch spec. 縫仕様	S		Spec. common 仕様共通		Spec. common 仕様共通		Spec. common 仕様共通		Spec. common 仕様共通	
	G									

TABLE OF EXCHANGING GAUGE PARTS (7)(FOR LH-4168-7(2))

No.	Parts No.	Parts name	Remarks	Level	Cons	Qty
1	40035877	ASSY_NEEDLE_CLAMP_L(1/8)				1
2	40026063	ASSY_NEEDLE_CLAMP_L(5/32)				1
3	40026065	ASSY_NEEDLE_CLAMP_L(3/16)				1
4	40026067	ASSY_NEEDLE_CLAMP_L(7/32)				1
5	40026069	ASSY_NEEDLE_CLAMP_L(1/4)				1
6	40026070	ASSY_NEEDLE_CLAMP_L(9/32)				1
7	40026072	ASSY_NEEDLE_CLAMP_L(5/16)				1
8	40026074	ASSY_NEEDLE_CLAMP_L(3/8)				1
9	40026076	ASSY_NEEDLE_CLAMP_L(1/2)				1
10	40026078	ASSY_NEEDLE_CLAMP_L(5/8)				1
11	40026080	ASSY_NEEDLE_CLAMP_L(3/4)				1
12	40026082	ASSY_NEEDLE_CLAMP_L(1)				1
13	40035878	ASSY_NEEDLE_CLAMP_R(1/8)				1
14	40026084	ASSY_NEEDLE_CLAMP_R(5/32)				1
15	40026086	ASSY_NEEDLE_CLAMP_R(3/16)				1
16	40026088	ASSY_NEEDLE_CLAMP_R(7/32)				1
17	40026090	ASSY_NEEDLE_CLAMP_R(1/4)				1
18	40026091	ASSY_NEEDLE_CLAMP_R(9/32)				1
19	40026093	ASSY_NEEDLE_CLAMP_R(5/16)				1
20	40026095	ASSY_NEEDLE_CLAMP_R(3/8)				1
21	40026097	ASSY_NEEDLE_CLAMP_R(1/2)				1
22	40026099	ASSY_NEEDLE_CLAMP_R(5/8)				1
23	40026101	ASSY_NEEDLE_CLAMP_R(3/4)				1
24	40026103	ASSY_NEEDLE_CLAMP_R(1)				1
25	B1402526BA0A	NEEDLE CLAMP ASM. 1/8				1
26	B1402526CA0A	NEEDLE CLAMP ASM. 5/32				1
27	B1402526DALA	NEEDLE CLAMP LEFT ASM. 3/16				1
28	10228559	NEEDLE CLAMP ASM. LEFT 7/32				1
29	B1402526FALA	NEEDLE CLAMP LEFT ASM. 1/4				1
30	B1402526GALA	NEEDLE CLAMP LEFT ASM. 9/32				1
31	B1402526HALA	NEEDLE CLAMP LEFT ASM. 5/16				1
32	B1402526KALA	NEEDLE CLAMP LEFT ASM. 3/8				1
33	B1402526LALA	NEEDLE CLAMP LEFT ASM.				1
34	10228856	NEEDLE CLAMP ASM. LEFT 5/8				1
35	10228955	NEEDLE CLAMP ASM. LEFT 3/4				1
36	10229151	NEEDLE CLAMP ASM. LEFT 1				1
37	B1402526BA0A	NEEDLE CLAMP ASM. 1/8				1
38	B1402526CA0A	NEEDLE CLAMP ASM. 5/32				1
39	B1402526DARA	NEEDLE CLAMP RIGHT ASM. 3/16				1
40	10228567	NEEDLE CLAMP ASM. RIGHT 7/32				1
41	B1402526FARA	NEEDLE CLAMP RIGHT ASM. 1/4				1
42	B1402526GARA	NEEDLE CLAMP RIGHT ASM. 9/32				1
43	B1402526HARA	NEEDLE CLAMP RIGHT ASM. 5/16				1
44	B1402526KARA	NEEDLE CLAMP RIGHT ASM. 3/8				1
45	B1402526LARA	NEEDLE CLAMP RIGHT ASM.				1
46	10228864	NEEDLE CLAMP ASM. RIGHT 5/8				1
47	10228963	NEEDLE CLAMP ASM. RIGHT 3/4				1

TABLE OF EXCHANGING GAUGE PARTS (7)(FOR LH-4168-7(2))

Needle gauge size 針 幅		Needle clamp asm. (Left) 針 留(左)組		Needle clamp asm. (Right) 針 留(右)組		Needle clamp asm. (Left) 針 留(左)組		Needle clamp asm. (Right) 針 留(右)組		
Code コード			 (Wire Type ワイヤタイプ)		 (Wire Type ワイヤタイプ)		 (Hole Type 穴タイプ)		 (Hole Type 穴タイプ)	
	inch	mm	Ref.No.	Part No.	Ref.No.	Part No.	Ref.No.	Part No.	Ref.No.	Part No.
B	1/8	3.2	1	400-35877	13	400-35878	25	B1402-526-BA0-A	37	B1402-526-BA0-A
C	5/32	4.0	2	400-26063	14	400-26084	26	B1402-526-CA0-A	38	B1402-526-CA0-A
D	3/16	4.8	3	400-26065	15	400-26086	27	B1402-526-DAL-A	39	B1402-526-DAR-A
E	7/32	5.6	4	400-26067	16	400-26088	28	102-28559	40	102-28567
F	1/4	6.4	5	400-26069	17	400-26090	29	B1402-526-FAL-A	41	B1402-526-FAR-A
G	9/32	7.1	6	400-26070	18	400-26091	30	B1402-526-GAL-A	42	B1402-526-GAR-A
H	5/16	7.9	7	400-26072	19	400-26093	31	B1402-526-HAL-A	43	B1402-526-HAR-A
K	3/8	9.5	8	400-26074	20	400-26095	32	B1402-526-KAL-A	44	B1402-526-KAR-A
L	1/2	12.7	9	400-26076	21	400-26097	33	B1402-526-LAL-A	45	B1402-526-LAR-A
M	5/8	15.9	10	400-26078	22	400-26099	34	102-28856	46	102-28864
N	3/4	19.1	11	400-26080	23	400-26101	35	102-28955	47	102-28963
Q	1	25.4	12	400-26082	24	400-26103	36	102-29151	48	102-29169
Stitch spec. 縫仕様	S		★		★		★		★	
	G									

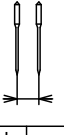
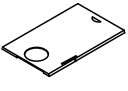

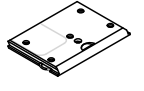

Needle gauge size 針 幅		Sliding plate asm. (Left) 滑り板(左)組		Sliding plate asm. (Right) 滑り板(右)組		Sliding plate asm. (Front) 滑り板(前)組		Wiper ワイパー		
Code コード										
	inch	mm	Ref.No.	Part No.	Ref.No.	Part No.	Ref.No.	Part No.	Ref.No.	Part No.
B	1/8	3.2	49	400-25247	52	400-25235	55	400-31358	56	102-09203
C	5/32	4.0								
D	3/16	4.8								
E	7/32	5.6								
F	1/4	6.4								
G	9/32	7.1								
H	5/16	7.9								
K	3/8	9.5	50	400-25248	53	400-25236		57	102-09500	
L	1/2	12.7								
M	5/8	15.9								
N	3/4	19.1	51	400-25249	54	400-25239		58	102-09807	
Q	1	25.4								
Stitch spec. 縫仕様	S		Spec. common 仕様共通		Spec. common 仕様共通		Spec. common 仕様共通		Spec. common 仕様共通	
	G									

TABLE OF EXCHANGING GAUGE PARTS (7)(FOR LH-4168-7(2))

No.	Parts No.	Parts name	Remarks	Level	Cons	Qty
48	10229169	NEEDLE CLAMP ASM. RIGHT 1				1
49	40025247	ASSY_SLIDE_PLATE-L-A				1
50	40025248	ASSY_SLIDE_PLATE-L-B				1
51	40025249	ASSY_SLIDE_PLATE-L-C				1
52	40025235	ASSY_SLIDE_PLATE-R-A				1
53	40025236	ASSY_SLIDE_PLATE-R-B				1
54	40025239	ASSY_SLIDE_PLATE-R-C				1
55	40031358	ASSY_SLIDE_PLATE-F				1
56	10209203	WIPER 3/32"-3/8				1
57	10209500	WIPER				1
58	10209807	WIPER				1
59	10209906	WIPER				1

TABLE OF EXCHANGING GAUGE PARTS (8)(FOR LH-4188-7)

Needle gauge size 針 幅		Throat plate 針 板		Feed dog 送 り 歯				Presser foot asm. 押 さ え(組)				
Code コード												
	inch	mm	Ref.No.	Part No.	Ref.No.	Part No.	Ref.No.	Part No.	Ref.No.	Part No.	Ref.No.	Part No.
B	1/8	3.2	1	400-35881	13	400-61270	25	400-53705	33	400-35896	91	400-35896 (隙間2.0mm)
C	5/32	4.0	2	400-25485	14	400-61271	63	400-71911	34	400-35897	92	400-71909
D	3/16	4.8	3	400-25490	15	400-61272	26	400-35891	35	226-40353	45	228-16557
E	7/32	5.6	4	400-25491	16	400-61273	27	400-50009	36	226-40452	46	228-16656
F	1/4	6.4	5	400-25492	17	400-61274	28	400-35892	37	226-40551	47	228-16755
G	9/32	7.1	6	400-25493	18	400-61275	29	400-50010	38	226-40759	48	228-16854
H	5/16	7.9	7	400-25494	19	400-61276	30	400-50011	39	226-40858	49	228-16953
K	3/8	9.5	8	400-25495	20	400-61277	31	400-35893	40	226-40957	50	228-17050
L	1/2	12.7	9	400-25498	21	400-61278	32	400-35894	41	226-41252	51	228-17159
M	5/8	15.9	10	400-25499	22	400-61279	64	400-71912	42	226-41351		
N	3/4	19.1	11	400-25500	23	400-61280	65	400-35895	43	226-41450		
Q	1	25.4	12	400-25503	24	400-61282	66	400-71914	44	226-41757		
Stitch spec. 縫 仕 様	S	G	Spec. common 仕 様 共 通				★		★		★	

Needle gauge size 針 幅		Needle clamp asm. (Left) 針 留(左)組		Needle clamp asm. (Right) 針 留(右)組		
Code コード						
	inch	mm	Ref.No.	Part No.	Ref.No.	Part No.
B	1/8	3.2	67	B1402-526-BA0-A	79	B1402-526-BA0-A
C	5/32	4.0	68	B1402-526-CA0-A	80	B1402-526-CA0-A
D	3/16	4.8	69	B1402-526-DAL-A	81	B1402-526-DAR-A
E	7/32	5.6	70	102-28559	82	102-28567
F	1/4	6.4	71	B1402-526-FAL-A	83	B1402-526-FAR-A
G	9/32	7.1	72	B1402-526-GAL-A	84	B1402-526-GAR-A
H	5/16	7.9	73	B1402-526-HAL-A	85	B1402-526-HAR-A
K	3/8	9.5	74	B1402-526-KAL-A	86	B1402-526-KAR-A
L	1/2	12.7	75	B1402-526-LAL-A	87	B1402-526-LAR-A
M	5/8	15.9	76	102-28856	88	102-28864
N	3/4	19.1	77	102-28955	89	102-28963
Q	1	25.4	78	102-29151	90	102-29169
Stitch spec. 縫 仕 様	S	G	Spec. common 仕 様 共 通		Spec. common 仕 様 共 通	

Needle gauge size 針 幅		Sliding plate asm. (Left) 滑 り 板(左)組		Sliding plate asm. (Right) 滑 り 板(右)組		Sliding plate asm. (Front) 滑 り 板(前) 組		Wiper ワイパー		
Code コード										
	inch	mm	Ref.No.	Part No.	Ref.No.	Part No.	Ref.No.	Part No.	Ref.No.	Part No.
B	1/8	3.2	52	400-25247	55	400-25235	58	400-31358	59	102-09203
C	5/32	4.0								
D	3/16	4.8								
E	7/32	5.6								
F	1/4	6.4								
G	9/32	7.1	53	400-25248	56	400-25236			60	102-09500
H	5/16	7.9								
K	3/8	9.5								
L	1/2	12.7								
M	5/8	15.9	54	400-25249	57	400-25239			61	102-09807
N	3/4	19.1								
Q	1	25.4								
Stitch spec. 縫 仕 様	S	G	Spec. common 仕 様 共 通		Spec. common 仕 様 共 通		Spec. common 仕 様 共 通		Spec. common 仕 様 共 通	

TABLE OF EXCHANGING GAUGE PARTS (8)(FOR LH-4188-7)

No.	Parts No.	Parts name	Remarks	Level	Cons	Qty
1	40035881	THROAT_PLATE_TRIM_1/8				1
2	40025485	THROAT_PLATE_TRIM 5/32				1
3	40025490	THROAT_PLATE_TRIM-3/16				1
4	40025491	THROAT_PLATE_TRIM-7/32				1
5	40025492	THROAT_PLATE_TRIM-1/4				1
6	40025493	THROAT_PLATE_TRIM-9/32				1
7	40025494	THROAT_PLATE_TRIM-5/16				1
8	40025495	THROAT_PLATE_TRIM-3/8				1
9	40025498	THROAT_PLATE_TRIM-1/2				1
10	40025499	THROAT_PLATE_TRIM-5/8				1
11	40025500	THROAT_PLATE_TRIM-3/4				1
12	40025503	THROAT_PLATE_TRIM-1				1
13	40061270	FEED_DOG_TYPE-S 1/8				1
14	40061271	FEED_DOG_TYPE-S 5/32				1
15	40061272	FEED_DOG_TYPE-S 3/16				1
16	40061273	FEED_DOG_TYPE-S 7/32				1
17	40061274	FEED_DOG_TYPE-S 1/4				1
18	40061275	FEED_DOG_TYPE-S 9/32				1
19	40061276	FEED_DOG_TYPE-S 5/16				1
20	40061277	FEED_DOG_TYPE-S 3/8				1
21	40061278	FEED_DOG_TYPE-S 1/2				1
22	40061279	FEED_DOG_TYPE-S 5/8				1
23	40061280	FEED_DOG_TYPE-S 3/4				1
24	40061282	FEED_DOG_TYPE-S 1				1
25	40053705	FEED_DOG_TYPE_7G_1/8				1
26	40035891	FEED_DOG_TYPE_7G_3/16				1
27	40050009	FEED_DOG_TYPE_7G_7/32				1
28	40035892	FEED_DOG_TYPE_7G_1/4				1
29	40050010	FEED_DOG_TYPE_7G_9/32				1
30	40050011	FEED_DOG_TYPE_7G_5/16				1
31	40035893	FEED_DOG_TYPE_7G_3/8				1
32	40035894	FEED_DOG_TYPE_7G_1/2				1
33	40035896	PRESSER FOOT ASM.				1
34	40035897	PRESSER FOOT ASM.				1
35	22640353	PRESSER FOOT ASM.				1
36	22640452	PRESSER FOOT ASM.				1
37	22640551	PRESSER FOOT ASM.				1
38	22640759	PRESSER FOOT ASM.				1
39	22640858	PRESSER FOOT ASM.				1
40	22640957	PRESSER FOOT ASM.				1
41	22641252	PRESSER FOOT ASM.				1
42	22641351	PRESSER FOOT ASM.				1
43	22641450	PRESSER FOOT ASM.				1
44	22641757	PRESSER FOOT ASM.				1
45	22816557	TIP-DIVIDED PRESSER ASM. 3/16				1
46	22816656	TIP-DIVIDED PRESSER ASM. 7/32				1
47	22816755	PRESSER FOOT ASM. 1/4				1

TABLE OF EXCHANGING GAUGE PARTS (8)(FOR LH-4188-7)

Needle gauge size 針 幅		Throat plate 針 板		Feed dog 送 り 歯				Presser foot asm. 押 さ え(組)				
Code コード												
	inch	mm	Ref.No.	Part No.	Ref.No.	Part No.	Ref.No.	Part No.	Ref.No.	Part No.	Ref.No.	Part No.
B	1/8	3.2	1	400-35881	13	400-61270	25	400-53705	33	400-35896	91	400-35896 (隙間2.0mm)
C	5/32	4.0	2	400-25485	14	400-61271	63	400-71911	34	400-35897	92	400-71909
D	3/16	4.8	3	400-25490	15	400-61272	26	400-35891	35	226-40353	45	228-16557
E	7/32	5.6	4	400-25491	16	400-61273	27	400-50009	36	226-40452	46	228-16656
F	1/4	6.4	5	400-25492	17	400-61274	28	400-35892	37	226-40551	47	228-16755
G	9/32	7.1	6	400-25493	18	400-61275	29	400-50010	38	226-40759	48	228-16854
H	5/16	7.9	7	400-25494	19	400-61276	30	400-50011	39	226-40858	49	228-16953
K	3/8	9.5	8	400-25495	20	400-61277	31	400-35893	40	226-40957	50	228-17050
L	1/2	12.7	9	400-25498	21	400-61278	32	400-35894	41	226-41252	51	228-17159
M	5/8	15.9	10	400-25499	22	400-61279	64	400-71912	42	226-41351		
N	3/4	19.1	11	400-25500	23	400-61280	65	400-35895	43	226-41450		
Q	1	25.4	12	400-25503	24	400-61282	66	400-71914	44	226-41757		
Stitch spec. 縫 仕 様	S	G	Spec. common 仕 様 共 通				★		★		★	

Needle gauge size 針 幅		Needle clamp asm. (Left) 針 留(左)組		Needle clamp asm. (Right) 針 留(右)組		
Code コード						
	inch	mm	Ref.No.	Part No.	Ref.No.	Part No.
B	1/8	3.2	67	B1402-526-BA0-A	79	B1402-526-BA0-A
C	5/32	4.0	68	B1402-526-CA0-A	80	B1402-526-CA0-A
D	3/16	4.8	69	B1402-526-DAL-A	81	B1402-526-DAR-A
E	7/32	5.6	70	102-28559	82	102-28567
F	1/4	6.4	71	B1402-526-FAL-A	83	B1402-526-FAR-A
G	9/32	7.1	72	B1402-526-GAL-A	84	B1402-526-GAR-A
H	5/16	7.9	73	B1402-526-HAL-A	85	B1402-526-HAR-A
K	3/8	9.5	74	B1402-526-KAL-A	86	B1402-526-KAR-A
L	1/2	12.7	75	B1402-526-LAL-A	87	B1402-526-LAR-A
M	5/8	15.9	76	102-28856	88	102-28864
N	3/4	19.1	77	102-28955	89	102-28963
Q	1	25.4	78	102-29151	90	102-29169
Stitch spec. 縫 仕 様	S	G	Spec. common 仕 様 共 通		Spec. common 仕 様 共 通	

Needle gauge size 針 幅		Sliding plate asm. (Left) 滑 り 板(左)組		Sliding plate asm. (Right) 滑 り 板(右)組		Sliding plate asm. (Front) 滑 り 板(前) 組		Wiper ワイパー		
Code コード										
	inch	mm	Ref.No.	Part No.	Ref.No.	Part No.	Ref.No.	Part No.	Ref.No.	Part No.
B	1/8	3.2	52	400-25247	55	400-25235	58	400-31358	59	102-09203
C	5/32	4.0								
D	3/16	4.8								
E	7/32	5.6								
F	1/4	6.4								
G	9/32	7.1	53	400-25248	56	400-25236		60	102-09500	
H	5/16	7.9								
K	3/8	9.5								
L	1/2	12.7								
M	5/8	15.9	54	400-25249	57	400-25239		61	102-09807	
N	3/4	19.1								
Q	1	25.4								
Stitch spec. 縫 仕 様	S	G	Spec. common 仕 様 共 通		Spec. common 仕 様 共 通		Spec. common 仕 様 共 通		Spec. common 仕 様 共 通	

TABLE OF EXCHANGING GAUGE PARTS (8)(FOR LH-4188-7)

No.	Parts No.	Parts name	Remarks	Level	Cons	Qty
48	22816854	TIP-DIVIDED PRESSER ASM. 9/32				1
49	22816953	TIP-DIVIDED PRESSER ASM. 5/16				1
50	22817050	PRESSER FOOT ASM. D=2.4 (3/8)				1
51	22817159	PRESSER FOOT ASM. D=2.4 (1/2)				1
52	40025247	ASSY_SLIDE_PLATE-L-A				1
53	40025248	ASSY_SLIDE_PLATE-L-B				1
54	40025249	ASSY_SLIDE_PLATE-L-C				1
55	40025235	ASSY_SLIDE_PLATE-R-A				1
56	40025236	ASSY_SLIDE_PLATE-R-B				1
57	40025239	ASSY_SLIDE_PLATE-R-C				1
58	40031358	ASSY_SLIDE_PLATE-F				1
59	10209203	WIPER 3/32"-3/8				1
60	10209500	WIPER				1
61	10209807	WIPER				1
62	10209906	WIPER				1
63	40071911	FEED_DOG_TYPE_7G_5/32				1
64	40071912	FEED_DOG_TYPE_7G_5/8				1
65	40035895	FEED_DOG_TYPE_7G_3/4				1
66	40071914	FEED_DOG_TYPE_7G_1				1
67	B1402526BA0A	NEEDLE CLAMP ASM. 1/8				1
68	B1402526CA0A	NEEDLE CLAMP ASM. 5/32				1
69	B1402526DALA	NEEDLE CLAMP LEFT ASM. 3/16				1
70	10228559	NEEDLE CLAMP ASM. LEFT 7/32				1
71	B1402526FALA	NEEDLE CLAMP LEFT ASM. 1/4				1
72	B1402526GALA	NEEDLE CLAMP LEFT ASM. 9/32				1
73	B1402526HALA	NEEDLE CLAMP LEFT ASM. 5/16				1
74	B1402526KALA	NEEDLE CLAMP LEFT ASM. 3/8				1
75	B1402526LALA	NEEDLE CLAMP LEFT ASM.				1
76	10228856	NEEDLE CLAMP ASM. LEFT 5/8				1
77	10228955	NEEDLE CLAMP ASM. LEFT 3/4				1
78	10229151	NEEDLE CLAMP ASM. LEFT 1				1
79	B1402526BA0A	NEEDLE CLAMP ASM. 1/8				1
80	B1402526CA0A	NEEDLE CLAMP ASM. 5/32				1
81	B1402526DARA	NEEDLE CLAMP RIGHT ASM. 3/16				1
82	10228567	NEEDLE CLAMP ASM. RIGHT 7/32				1
83	B1402526FARA	NEEDLE CLAMP RIGHT ASM. 1/4				1
84	B1402526GARA	NEEDLE CLAMP RIGHT ASM. 9/32				1
85	B1402526HARA	NEEDLE CLAMP RIGHT ASM. 5/16				1
86	B1402526KARA	NEEDLE CLAMP RIGHT ASM. 3/8				1
87	B1402526LARA	NEEDLE CLAMP RIGHT ASM.				1
88	10228864	NEEDLE CLAMP ASM. RIGHT 5/8				1
89	10228963	NEEDLE CLAMP ASM. RIGHT 3/4				1
90	10229169	NEEDLE CLAMP ASM. RIGHT 1				1
91	40035896	PRESSER FOOT ASM.				1
92	40071909	PRESSER_FOOT_ASM._G_5/32				1

LIST FOR INFORMATION OF CHANGE

As to the place changed, refer to the corresponding Rev.No.
 When previous parts(Obsoleted part)and new parts(Added parts)are
 not interchangeable with each other:
 In this case,even obsoleted parts(D.)can be ordered with the
 obsoleted part number,so select the parts with changed dates and
 place your orders.

変更箇所は、該当Rev.No.版をご参照ください。
 部品の互換性がない変更の場合は、削除された品番でも、ご注文できます。

40026643
 No.1422-06 Rev.No.

*A:Added parts追加部品/D:Obsoleted parts削除部品/E:Erratum訂正

* Rev. No.	Page 頁	Ref. No.	Parts No. 品番	* Rev. No.	Page 頁	Ref. No.	Parts No. 品番
D 05	6	21	400-11226	A 06	6	21	400-81635
D 05	6	24	SM-6050802-TP	A 06	6	24	SM-6051002-TP
				A 06	6	75	400-81532
				A 06	6	76	SM-80608A2-TP
				A 06	22	99	110-71909
				A 06	26	72	400-76708
				A 06	26	73	400-76709
D 05	32	39	236-30007	A 06	32	39	236-30106
D 05	32	50	236-29306				
D 05	32	53	236-30007				
				A 06	32	54	400-77751
				A 06	32	55	236-29306
				A 06	32	62	400-65984
				A 06	32	66	235-40305
				A 06	32	67	236-29306
				A 06	32	68	236-29405
				A 06	32	69	400-77750
				A 06	32	70	400-77749
				A 06	44	49	400-66130
				A 06	44	50	400-35873
				A 06	44	51	400-72673
				A 06	48	80	400-35896
				A 06	52	93	400-35896
				A 06	52	94	400-71909
				A 06	56	61	400-71909
D 05	32	52 to 75 - 削除					
				A 06	60	91	400-35896
				A 06	60	92	400-71909

HOW TO MAKE USE OF THIS PARTS LIST

1.Explanation of codes

1)"*"mark.....means this part is changed from the previous parts book.

As to the details of the change, refer to the "List for information of change".

2)"#01".....refer to "Note" explanation at bottom of page.

2.Codes on the "Qty" column

- Each numeral indicates the number of parts required.
- "0.1" and "2.5" indicate the length (in meters) of the respective parts.

3.Parentheses mean that the corresponding part is a subpart that constructs an assembly part.

4.Dotted lines on the Figures indicate assembly parts.

5.As to the parts with marks of "☆"(consumable parts) and "◎"(optional parts)on the respective parts, it is recommended to prepare spares.

1 ."注記"欄の記号説明

1) "*"印.....前回のパーツブックに比較して今回変更された部品を意味します。

変更内容は、"変更情報リスト"を参照してください。

2) "#01".....ページ下の"注記"の説明を参照してください。

2.数量欄の数字は、個数を表し、0.1、2.5等の数値は、長さ（単位メートル）を表します。

3.数量欄の（ ）は、組部品を構成している子部品であることを意味します。

4.イラストページの-----枠は、組構成であることを意味します。

5.リストページの"☆"（消耗部品）、"◎"（オプション部品）の印がついた部品は、予備を準備しておくことをお奨めします。

NUMERICAL INDEX OF PARTS

PART NO	PAGE	REF NO.	PART NO	PAGE	REF NO.	PART NO	PAGE	REF NO.
10109908	36	77	10149052	94	44	11015906	34	45
10109908	42	73	10149151	86	77	11015906	40	28
10110500	34	41	10149151	94	45	11040854	54	10
10110500	40	31	10149250	86	78	11071909	48	72·99
10110609	34	43	10149359	86	79	11155108	74	2
10110609	40	32	10162600	68	2	11155207	74	3
10111201	36	49	10209203	60	35	11155751	74	8
10111201	42	48	10209203	94	26	11155801	74	6
10111508	36	91	10209203	102	56	11156007	74	7
10111508	40	37	10209203	106	59	11157658	74	26
10111508	76	9	10209500	94	27	11157757	74	20
10112407	36	78	10209500	102	57	11157955	74	18
10112407	42	74	10209500	106	60	11158052	74	23
10112803	34	42	10209807	94	28	11158300	74	19
10112803	40	24	10209807	102	58	11158409	74	25
10112902	34	40	10209807	106	61	11158508	74	22
10147650	86	62	10209906	94	29	11158607	74	24
10147650	94	30	10209906	102	59	11158706	74	35
10147759	86	63	10209906	106	62	11158805	74	36
10147759	94	31	10210805	36	90	11158904	74	37
10147858	86	64	10210805	76	10·43	11159001	74	38
10147858	94	32	10228559	100	28	11159357	74	17
10147957	86	65	10228559	106	70	11159365	74	16
10147957	94	33	10228567	100	40	11159407	74	34
10148054	86	66	10228567	106	82	11159506	74	28
10148054	94	34	10228856	100	34	11305901	54	27
10148153	86	67	10228856	106	76	11517307	18	17
10148153	94	35	10228864	100	46	11851102	76	20
10148252	86	68	10228864	106	88	12219705	2	15
10148252	94	36	10228955	100	35	12455507	76	19·21·23
10148351	86	69	10228955	106	77	12455705	76	19·21·23
10148351	94	37	10228963	100	47	13167903	72	22
10148450	86	70	10228963	106	89	13168000	72	23
10148450	94	38	10229151	100	36	13168109	72	24
10148559	86	71	10229151	106	78	13168208	72	25
10148559	94	39	10229169	102	48	17007402	74	27
10148658	86	72	10229169	106	90	22529408	26	19
10148658	94	40	10231603	42	87	22529408	30	17
10148757	86	73	10231603	76	10·43	22529473	26	18
10148757	94	41	10391852	86	53	22529473	30	16
10148856	86	74	10392058	86	54	22529515	26	20
10148856	94	42	10392256	86	55	22529515	30	18
10148955	86	75	10392454	86	56	22600555	82	73
10148955	94	43	10392751	86	57	22600555	88	44
10149052	86	76	10393056	86	58	22600654	82	74

NUMERICAL INDEX OF PARTS

PART NO	PAGE	REF NO.	PART NO	PAGE	REF NO.	PART NO	PAGE	REF NO.
22600753	82	75	22628408	88	10	22641252	84	28
22600852	82	76	22628507	88	11	22641252	92	57
22601058	82	69	22628606	88	12	22641252	98	56
22601058	88	43	22630206	82	78	22641252	104	41
22601157	82	70	22630404	82	79	22641351	84	29
22601256	82	71	22630503	82	80	22641351	92	58
22601355	82	72	22630602	82	81	22641351	98	57
22603112	2	7	22630800	82	82	22641351	104	42
22603708	76	7	22630909	82	83	22641450	84	30
22609606	44	11	22631006	82	84	22641450	92	59
22612402	34	39	22631105	82	85	22641450	98	58
22612907	34	32	22631303	82	86	22641450	104	43
22625107	80	1	22631402	82	87	22641658	84	31
22625107	88	1	22631501	82	88	22641658	92	60
22625206	80	2	22631709	82	89	22641757	84	32
22625305	80	3	22631808	82	90	22641757	92	61
22625305	88	2	22631907	82	91	22641757	98	59
22625404	80	4	22632004	82	92	22641757	104	44
22625404	88	3	22632103	82	93	22641856	84	33
22625503	80	5	22632202	82	94	22641856	92	62
22625503	88	4	22640353	84	21	22641955	84	34
22625602	80	6	22640353	92	50	22641955	92	63
22625602	88	5	22640353	98	50	22642052	84	35
22625701	80	7	22640353	104	35	22642151	84	36
22625701	88	6	22640452	84	22	22647051	88	31
22625800	80	8	22640452	98	51	22647150	88	32
22625909	80	9	22640452	104	36	22647259	88	33
22626006	80	10	22640551	84	23	22647358	88	34
22626105	80	11	22640551	92	52	22647457	88	35
22626204	80	12	22640551	98	52	22647556	88	36
22626303	80	13	22640551	104	37	22650452	92	51
22626402	80	14	22640759	84	24	22651459	4	61
22626501	80	15	22640759	92	53	22653802	36	92
22626600	80	16	22640759	98	53	22653802	76	8-16
22626709	80	17	22640759	104	38	22656003	46	67
22626808	80	18	22640858	84	25	22657308	60	8
22627152	88	25	22640858	92	54	22688204	34	30
22627350	88	26	22640858	98	54	22688501	34	35
22627459	88	27	22640858	104	39	22796155	68	32
22627558	88	28	22640957	84	26	22798607	68	34
22627657	88	29	22640957	92	55	22811301	26	4
22627756	88	30	22640957	98	55	22811301	30	2
22628002	88	7	22640957	104	40	22813000	40	38
22628200	88	8	22641054	84	27	22813703	40	23
22628309	88	9	22641054	92	56	22814008	40	26

NUMERICAL INDEX OF PARTS

PART NO	PAGE	REF NO.	PART NO	PAGE	REF NO.	PART NO	PAGE	REF NO.
22816557	84	37	22907406	50	33	22944508	50	15
22816557	92	64	22907604	50	31	22944508	56	65
22816557	98	62	22907802	50	1	22945307	26	32
22816557	104	45	22911804	44	47	22945307	30	53
22816656	84	38	22912000	46	50	22945307	32	53
22816656	92	65	22912109	46	49	22945505	26	16
22816656	98	63	22920706	2	13	22945505	30	14
22816656	104	46	22921407	26	24	22945703	26	15
22816755	84	39	22921407	30	48	22945703	30	13
22816755	92	66	22921407	32	48	22945703	66	29
22816755	98	64	22921506	26	25	22952501	46	69
22816755	104	47	22921506	30	49	22955504	60	9
22816854	84	40	22921506	32	49	22955900	60	4
22816854	92	67	22921506	66	31	22956007	60	5
22816854	98	65	22921605	26	26·27	22956205	60	7
22816854	106	48	22921605	30	50	22957104	60	14
22816953	84	41	22921605	32	50	22957203	60	19
22816953	92	68	22921704	26	28~30	22958003	74	13
22816953	98	66	22921803	26	31	22958003	76	38
22816953	106	49	22921803	30	52	22962005	26	28~30
22817050	84	42	22921803	32	52	22962005	30	51
22817050	92	69	22926208	74	15	22962005	32	51
22817050	98	67	22926208	76	39	22962906	58	10
22817050	106	50	22926505	74	14	22991400	70	9
22817159	84	44	22926505	76	40	23202104	36	69
22817159	92	71	22930309	72	8	23202302	36	70
22817159	98	68	22930408	72	6	23203201	26	5
22817159	106	51	22930507	72	3	23203201	30	3
22819809	42	61	22930556	72	2	23203300	26	6
22819809	76	8·16	22930705	72	4	23203300	30	4
22827208	40	34	22930804	72	12	23205107	82	61
22827257	40	29	22930903	72	11	23205305	82	62
22827307	40	30	22931000	72	10	23205503	82	63
22827406	40	35	22931109	72	9	23206709	88	46
22844450	86	59	22931307	72	7	23540305	64	66
22844559	86	60	22931406	72	5	23542418	54	6
22845200	80	19	22931604	76	2	23601057	2	28
22845408	80	20	22932453	68	11	23601305	2	42
22845606	80	21	22932800	76	11	23604200	10	9
22845804	80	22	22933006	76	12	23604309	10	26
22847800	82	64	22933105	76	13	23609001	50	26
22888507	62	19	22933204	76	14	23609209	50	30
22891204	10	41	22933303	78	48	23610306	50	32
22901805	2	45	22934251	76	1	23612609	44	33
22902506	2	3	22940506	46	72·99	23612807	44	31

NUMERICAL INDEX OF PARTS

PART NO	PAGE	REF NO.	PART NO	PAGE	REF NO.	PART NO	PAGE	REF NO.
23612906	44	32	26260406	66	5	40011918	44	23
23613409	44	43	26260505	66	6	40011919	44	24
23618804	34	10	26260604	66	7	40011921	48	96
23618804	40	10	26260802	66	8	40011922	44	37
23626005	26	33	26261008	66	9	40011923	44	40
23626005	30	54	26261206	66	10	40011924	44	42
23626005	32	54	26261305	66	11	40011926	44	71
23626302	50	39	26261503	66	12	40011926	46	71
23628803	62	25	26261602	66	13	40011932	44	38
23628902	62	26	26261701	66	14	40011934	46	86·87
23629306	62	72	26910059	72	21	40011935	46	90
23629306	64	72	26910158	72	1	40011936	46	91
23629405	62	68	40000343	62	34	40011939	46	75
23629405	64	68	40000344	62	35	40011940	46	76
23629900	2	39	40005378	24	65	40011942	58	16
23630007	46	57	40005379	24	66	40011943	58	14
23630007	62	73	40006300	10	34	40011945	58	8
23630007	64	73	40006323	76	29·46	40011946	46	86·87
23630106	62	52	40009196	60	10	40011947	62	15
23630106	64	52	40010434	10	35	40012064	6	38
23630403	64	65	40010435	10	36	40012065	10	1
23630502	64	64	40010436	10	37	40012066	10	11·12
23630601	62	50	40010464	44	60	40012067	10	11·12
23630601	64	50	40010464	46	60	40012078	10	14
23630650	64	53	40010467	44	61	40012079	12	51·52
23631104	58	3	40010467	46	61	40012081	12	68
23631708	58	19	40010469	44	62	40012082	12	65
23631807	58	20	40010469	46	62	40012085	34	38
23631906	58	21	40010709	12	50	40012085	40	25
23632102	58	23	40010892	22	14	40012301	36	68
23632359	58	24	40011009	36	63	40012302	36	71
23638109	68	22	40011009	42	62	40012304	36	89
23638208	68	23	40011144	66	15	40012403	56	49
23638307	68	24	40011151	6	42	40012404	56	58
23638406	68	25	40011435	12	59	40012487	54	46
23639503	68	10	40011868	44	29	40012488	54	45
23639701	76	5	40011906	44	5	40012489	56	55
23640006	4	63	40011908	44	8	40012492	54	39
26034702	76	25~27	40011909	44	18	40012495	56	50
26226209	46	73	40011910	44	22	40012496	56	56
26230409	36	52	40011912	44	27	40012497	54	38
26230409	42	51	40011913	44	12	40012503	56	66
26260109	66	2	40011914	44	14	40012504	54	29
26260208	66	3	40011916	46	74	40012505	54	30
26260307	66	4	40011917	44	19	40012506	54	20

NUMERICAL INDEX OF PARTS

PART NO	PAGE	REF NO.	PART NO	PAGE	REF NO.	PART NO	PAGE	REF NO.
40012535	12	51-52	40015600	52	50	40015919	18	28
40012550	12	49	40015613	76	41	40015920	18	29
40013039	34	14	40015616	50	43	40015921	18	36
40013040	34	17	40015669	54	24	40015922	18	37
40013040	40	17	40015696	26	10	40015923	18	38
40013061	38	100	40015697	26	11	40015924	18	39
40013061	40	9	40015697	30	9	40015925	18	40
40013269	14	15	40015698	26	7	40015928	22	1
40013354	10	16	40015698	30	5	40015929	22	6
40013362	46	77	40015699	26	8	40015932	22	16
40013509	62	27	40015699	30	6	40015933	22	18
40013519	68	19	40015701	26	9	40015934	22	20
40013520	68	9	40015884	6	22	40015935	22	21
40013521	68	5	40015887	6	30	40015936	22	22
40013522	68	16	40015889	6	33	40015937	22	23
40013525	68	12	40015890	6	34	40015938	22	28
40013549	46	59	40015891	10	45	40015939	22	29
40013550	48	97	40015893	12	66	40015940	22	32
40013595	62	5	40015895	14	1	40015941	22	33
40013610	62	3	40015896	14	2	40015942	22	35
40013640	76	29-46	40015897	14	10	40015943	22	27
40013777	34	46	40015898	14	7	40015944	22	43
40013782	34	47	40015899	14	14	40015945	22	39
40013783	34	21	40015900	14	16	40015947	46	58
40013784	34	37	40015901	14	17	40015949	46	65
40013786	34	36	40015902	14	18	40015950	46	54
40013863	2	2	40015903	14	27	40015951	46	94
40013922	6	19	40015904	14	40	40016008	26	13
40013968	2	19	40015905	18	1	40016008	30	11
40013977	2	16	40015906	18	7	40016258	50	2
40014650	50	22	40015907	14	30	40016260	50	6
40014651	50	9	40015908	14	37	40016261	50	7
40014654	50	14	40015909	20	48	40016262	50	16
40014658	50	41	40015910	18	16	40016272	50	46
40014660	50	34	40015911	14	52	40016282	76	32
40014663	50	12	40015911	16	52	40016349	26	47
40014669	50	17	40015911	18	15	40016349	30	42
40014677	50	18	40015912	14	21	40016350	28	48
40014680	50	21	40015913	14	36	40016350	30	43
40014837	66	16	40015914	14	45	40016351	28	49
40015022	68	21	40015915	16	50	40016351	30	44
40015188	50	19	40015915	18	35	40016677	46	64
40015190	50	24	40015916	18	18	40016705	62	10
40015192	50	11	40015917	18	19	40016706	2	34
40015599	52	49	40015918	18	30	40016706	62	11

NUMERICAL INDEX OF PARTS

PART NO	PAGE	REF NO.	PART NO	PAGE	REF NO.	PART NO	PAGE	REF NO.
40016748	36	58	40019825	6	11	40022590	42	54
40016748	42	57	40020018	6	13	40022591	60	1
40016749	2	24	40020023	6	12	40022637	24	58
40016749	64	57	40020032	6	44~48	40022638	24	53
40016817	60	2	40020297	6	10	40022690	2	17
40016818	60	6	40020387	14	13	40023021	66	1
40016819	60	27	40020547	34	2	40023022	66	17
40016821	60	29	40020547	40	2	40023231	68	26
40016835	68	1	40021053	34	44	40023237	68	6
40017112	10	18	40021058	6	37	40023291	66	33
40017115	34	12	40021061	10	38~40	40025032	6	44~48
40017115	40	12	40021062	10	38~40	40025033	6	44~48
40017123	10	20	40021223	10	38~40	40025156	26	1~3
40017199	56	62	40021235	34	13	40025157	26	1~3
40017200	2	46	40021236	36	82	40025158	26	1~3
40017214	70	16	40021462	10	44	40025159	26	21~23
40017215	62	9	40021463	10	43	40025159	30	47
40017353	54	1	40021648	22	4	40025160	26	21~23
40017361	54	13	40021726	56	67	40025161	26	21~23
40017362	54	25	40021883	54	40	40025161	30	19
40017394	54	2	40021898	54	43	40025162	26	34
40017399	54	8	40021899	54	42	40025162	30	55
40017400	54	12	40021932	14	19	40025162	32	55
40017401	54	15	40022111	6	4	40025164	34	19
40017402	54	16	40022153	62	33	40025192	10	3
40017403	54	23	40022423	2	33	40025194	12	72
40017470	62	29	40022427	26	14	40025206	10	4
40017471	6	1	40022427	30	12	40025235	94	21
40017576	34	3	40022442	62	8	40025235	102	52
40017576	40	3	40022447	62	30	40025235	106	55
40017577	34	4	40022449	62	42	40025236	94	22
40017577	40	4	40022450	64	49	40025236	102	53
40017578	34	5	40022452	50	37	40025236	106	56
40017578	40	5	40022454	50	38	40025237	10	32
40018191	70	20	40022455	58	17	40025239	94	23
40018938	70	6	40022456	58	22	40025239	102	54
40018939	70	8	40022457	68	20	40025239	106	57
40018942	70	18	40022463	26	12	40025240	94	24
40018976	40	19	40022463	30	10	40025247	94	17
40018977	40	27	40022477	2	21	40025247	102	49
40018978	40	22	40022478	2	26	40025247	106	52
40019013	68	31	40022479	2	1	40025248	94	18
40019213	40	13	40022589	36	54	40025248	102	50
40019214	42	80	40022589	42	53	40025248	106	53
40019224	34	34	40022590	36	55	40025249	94	19

NUMERICAL INDEX OF PARTS

PART NO	PAGE	REF NO.	PART NO	PAGE	REF NO.	PART NO	PAGE	REF NO.
40025249	102	51	40025503	96	12	40025820	90	22
40025249	106	54	40025503	104	12	40025820	96	30
40025250	94	20	40025504	90	15	40025821	90	23
40025302	44	17	40025505	90	16	40025821	96	31
40025315	46	53	40025594	6	16	40025822	90	24
40025316	46	78	40025751	6	41	40025822	96	32
40025353	36	65	40025784	80	28	40025823	90	25
40025353	42	64	40025785	80	29	40025824	90	26
40025354	36	64	40025786	80	30	40025825	90	27
40025354	42	63	40025787	80	31	40025825	96	34
40025355	36	85	40025788	80	32	40025826	90	28
40025355	42	83	40025789	80	33	40025826	96	35
40025485	90	2	40025790	80	34	40025827	90	29
40025485	96	2	40025791	80	35	40025828	90	30
40025485	104	2	40025792	80	36	40025828	96	36
40025490	90	3	40025793	80	37	40025829	90	31
40025490	96	3	40025794	80	38	40025830	90	32
40025490	104	3	40025795	80	39	40025831	90	34
40025491	90	4	40025796	80	40	40025831	96	38
40025491	96	4	40025797	80	41	40025832	90	35
40025491	104	4	40025798	80	42	40025832	96	39
40025492	90	5	40025799	80	43	40025833	90	36
40025492	96	5	40025800	80	44	40025833	96	40
40025492	104	5	40025801	80	45	40025834	90	37
40025493	90	6	40025802	80	46	40025834	96	41
40025493	96	6	40025803	80	47	40025835	90	38
40025493	104	6	40025804	82	48	40025835	96	42
40025494	90	7	40025805	82	49	40025836	90	39
40025494	96	7	40025806	82	50	40025836	96	43
40025494	104	7	40025807	82	51	40025837	90	40
40025495	90	8	40025808	82	52	40025838	90	41
40025495	96	8	40025809	82	53	40025838	96	44
40025495	104	8	40025810	82	54	40025839	90	42
40025496	90	9	40025811	82	55	40025839	96	45
40025498	90	10	40025812	82	56	40025840	90	43
40025498	96	9	40025813	82	57	40025840	96	46
40025498	104	9	40025814	82	58	40025841	90	44
40025499	90	11	40025815	82	59	40025842	90	45
40025499	96	10	40025816	82	60	40025842	96	47
40025499	104	10	40025817	90	18	40025843	90	46
40025500	90	12	40025817	96	26	40025844	90	47
40025500	96	11	40025818	90	19	40025890	58	2
40025500	104	11	40025818	96	27	40025949	66	25
40025502	90	13	40025819	90	20	40025950	66	27
40025503	90	14	40025819	96	28	40025951	66	28

NUMERICAL INDEX OF PARTS

PART NO	PAGE	REF NO.	PART NO	PAGE	REF NO.	PART NO	PAGE	REF NO.
40026009	44	30	40026065	100	3	40028637	58	1
40026010	60	24	40026067	100	4	40028706	2	31
40026023	64	60	40026069	8	50	40028707	2	8
40026027	84	1	40026069	100	5	40028882	6	35
40026027	88	37	40026070	100	6	40028882	10	46
40026027	94	1	40026072	100	7	40029078	2	6
40026029	84	2	40026074	100	8	40029565	22	44
40026029	94	2	40026076	100	9	40030275	60	31
40026031	84	3	40026078	100	10	40030916	60	28
40026031	88	38	40026080	100	11	40030956	60	3
40026031	94	3	40026082	100	12	40031047	76	36
40026033	84	4	40026084	100	14	40031348	44	1
40026033	88	39	40026086	100	15	40031349	46	81
40026033	94	4	40026088	100	16	40031350	46	84
40026035	6	27	40026090	8	52	40031351	34	7
40026035	84	5	40026090	100	17	40031352	54	33
40026035	88	40	40026091	100	18	40031358	2	25-57
40026035	94	5	40026093	100	19	40031358	94	25
40026037	84	6	40026095	100	20	40031358	102	55
40026037	88	41	40026097	100	21	40031358	106	58
40026037	94	6	40026099	100	22	40031714	56	60-68
40026039	84	7	40026101	100	23	40032309	38	99
40026039	88	42	40026103	100	24	40032309	42	75
40026039	94	7	40026313	70	3	40032310	36	84
40026041	84	8	40026314	70	14	40032310	42	76
40026041	94	8	40026315	70	2	40032668	14	12
40026043	84	9	40026321	74	1	40032896	76	6
40026043	94	9	40026715	90	21	40033160	56	52-72
40026045	84	10	40026715	96	29	40033563	80	27
40026045	94	10	40026811	4	54	40033563	88	13
40026047	84	11	40026909	56	70	40033564	88	14
40026047	94	11	40026910	12	57	40033565	88	15
40026049	84	12	40027865	30	8	40033566	88	16
40026049	94	12	40027866	30	7	40033567	88	17
40026051	84	13	40027867	30	1	40033568	88	18
40026051	94	13	40028014	10	28	40033941	84	43
40026053	84	14	40028524	96	33	40033941	92	70
40026053	94	14	40028560	36	93~98	40033945	84	45
40026055	84	15	40028560	40	41~46	40033945	92	72
40026055	94	15	40028561	36	93~98	40033945	98	69
40026057	84	16	40028561	40	41~46	40033947	84	46
40026057	94	16	40028562	38	93~98	40033947	92	73
40026059	84	17	40028562	40	41~46	40033947	98	70
40026061	84	18	40028563	38	93~98	40033949	84	47
40026063	100	2	40028563	40	41~46	40033949	92	74

NUMERICAL INDEX OF PARTS

PART NO	PAGE	REF NO.	PART NO	PAGE	REF NO.	PART NO	PAGE	REF NO.
40033951	86	48	40036446	54	35	40061270	92	78
40033951	92	75	40037176	6	40	40061270	96	13
40033951	98	71	40038081	60	33	40061270	104	13
40033953	86	49	40038727	24	59	40061271	92	79
40033953	92	76	40038743	24	60	40061271	96	14
40033955	86	50	40039383	62	2	40061271	104	14
40033955	92	77	40039554	60	32	40061272	92	80
40033957	86	51	40039615	22	45	40061272	96	15
40033959	86	52	40039798	74	11	40061272	104	15
40034153	2	4	40039798	76	37	40061273	92	81
40034303	40	21	40040369	16	51	40061273	96	16
40034931	4	25·57	40040369	18	14	40061273	104	16
40034931	82	77	40040549	38	93~98	40061274	92	82
40034931	88	45	40040549	40	41~46	40061274	96	17
40035873	78	50	40040550	38	93~98	40061274	104	17
40035877	100	1	40040550	40	41~46	40061275	92	83
40035878	100	13	40040621	14	29	40061275	96	18
40035881	90	1	40040809	64	63	40061275	104	18
40035881	96	1	40041109	42	88	40061276	92	84
40035881	104	1	40042086	64	71	40061276	96	19
40035883	88	19	40042769	56	60·68	40061276	104	19
40035884	88	20	40042814	22	46	40061277	92	85
40035885	88	21	40042815	22	47	40061277	96	20
40035886	88	22	40042821	24	48	40061277	104	20
40035887	88	23	40043311	40	18	40061278	92	86
40035888	88	24	40044393	56	51·73	40061278	96	21
40035890	90	17	40049219	26	46	40061278	104	21
40035890	96	25	40049219	30	41	40061279	92	87
40035891	104	26	40049436	40	14	40061279	96	22
40035892	104	28	40050009	104	27	40061279	104	22
40035893	104	31	40050010	104	29	40061280	92	88
40035894	104	32	40050011	104	30	40061280	96	23
40035895	106	65	40052837	42	67	40061280	104	23
40035896	84	80	40053452	70	1	40061281	92	89
40035896	86	80	40053705	90	33	40061282	92	90
40035896	92	93	40053705	96	37	40061282	96	24
40035896	98	60	40053705	104	25	40061282	104	24
40035896	104	91	40054979	36	50	40061283	92	91
40035896	106	91	40054979	42	49	40061284	92	92
40035897	84	20	40055372	8	44~48	40062249	82	65
40035897	92	49	40055495	8	44~48	40062251	82	66
40035897	98	49	40059893	34	20	40062252	82	67
40035897	104	34	40059894	40	20	40062253	82	68
40036110	76	30	40060514	54	4	40062254	80	23
40036333	64	78	40060555	34	29	40062256	80	24

NUMERICAL INDEX OF PARTS

PART NO	PAGE	REF NO.	PART NO	PAGE	REF NO.	PART NO	PAGE	REF NO.
40062257	80	25	B1402526HALA	106	73	CM200200201	4	62
40062258	80	26	B1402526HARA	100	43	CM300200001	4	51
40062318	34	1	B1402526HARA	106	85	CM300200003	4	53
40062318	40	1	B1402526KALA	100	32	CM301300001	4	52
40062402	36	51	B1402526KALA	106	74	CM600100101	76	44
40062402	42	50	B1402526KARA	100	44	CM600100201	76	45
40062403	36	83	B1402526KARA	106	86	CQ303000000	36	87
40062403	42	81	B1402526LALA	100	33	CQ303000000	42	85
40065984	64	62	B1402526LALA	106	75	CS1200981TP	6	8
40066130	78	49	B1402526LARA	100	45	CS1400781TP	22	8
40071909	86	61	B1402526LARA	106	87	CS1501171TP	46	79
40071909	92	94	B1403526000	8	62	CS1501181TP	46	80
40071909	98	61	B1425526000	6	39	CS1701181TP	12	55
40071909	106	92	B1501581000	50	27	CS2001181TP	18	43
40071911	106	63	B1521555000	50	3	CS2501081TP	18	45
40071912	106	64	B1631850000	34	18	D2468555B00	58	4
40071914	106	66	B1631850000	40	16	D3128555D00	26	26·27
40072673	78	51	B1636581B00	44	6	D3129555D00	26	28~30
40076708	56	52·72	B1653470000	44	10	D3159555B00	50	40
40076709	56	51·73	B1803019000	10	23	D7133555B00	66	30
40077749	64	70	B1821051000	40	39	D8113555B00	74	39
40077750	64	69	B1823051000	40	40	D8115555B00	74	40
40077751	64	54	B1903552000	6	2	D8204555D00	74	4
40081532	12	75	B1905541A00	12	60~63	E1037718000	50	8
40081635	10	21	B1905541B00	12	60~63	E3026721000	10	22
B1104051000	2	38	B1905541C00	12	60~63	E3029715000	36	60
B1402526BA0A	100	37	B1905541D00	12	60~63	E3029715000	42	59
B1402526BA0A	106	79	B2428771000	26	36	EA9500B0100	24	67
B1402526CA0A	100	38	B2428771000	30	29	EA9500B0100	56	59
B1402526CA0A	106	80	B255728000A	24	69	EA9500B0100	58	25
B1402526DALA	100	27	B3118415000	26	37	EA9500B0100	62	41
B1402526DALA	106	69	B3118415000	30	30	EA9500B0100	68	27
B1402526DARA	100	39	B3118552C00	26	38	GAKA18300B0	70	15
B1402526DARA	106	81	B3118552C00	30	31	GCT02906000	76	19·21·23
B1402526FALA	8	55	B3214047000	26	17	HA002640010	24	54~57
B1402526FALA	100	29	B3214047000	30	15	HA00264001B	24	49~52
B1402526FALA	106	71	B3525357000	64	74	HA002640030	24	54~57
B1402526FARA	8	59	B3534012000	64	75	HA002640040	24	54~57
B1402526FARA	100	41	B9101490000	76	15	HA00264004B	24	49~52
B1402526FARA	106	83	B9101804000	76	24	HA002640050	24	54~57
B1402526GALA	100	30	B9113012000	76	25~27	HA006000000	60	11
B1402526GALA	106	72	B91210120A0	76	17	HK034610080	22	36
B1402526GARA	100	42	B9143372000	76	25~27	HK03464000B	60	20
B1402526GARA	106	84	BT0600402EA	76	31	HW200390000	60	13
B1402526HALA	100	31	CM100100001	4	60	HW500070000	60	12

NUMERICAL INDEX OF PARTS

PART NO	PAGE	REF NO.	PART NO	PAGE	REF NO.	PART NO	PAGE	REF NO.
HX00055000E	68	30	RC0560711KP	66	18	SB30953010A	34	15
HX00150000L	2	36	RC0650811KP	54	9	SB30953010A	40	15
J1080000000	76	22	RC1200001KP	6	6	SB31200050A	14	22~26
M68014710A0	10	30	RC1700002KP	14	20	SB31200050B	14	22~26
MAO11532000	74	45	RC1850001KP	18	41	SB31200050C	14	22~26
MDFRX1600C0	76	18	RE0400000K0	66	19	SB31200050D	14	22~26
MDP500B1002	76	3·28·42	RE0500000K0	50	20	SB31200050E	14	22~26
MDP500B1400	8	49	RE0600000K0	54	11	SB31400010A	22	10~13
MDP500B1402	76	3·28·42	RE0700000K0	70	11	SB31400010B	22	10~13
MDP500B2102	76	3·28·42	RE0900000K0	46	63	SB31400010C	22	10~13
NM6030001SC	22	38	RE1000000K0	68	18	SB31400010D	22	10~13
NM6030001SC	54	7	RE1200000K0	58	5	SB33200010A	14	3~6
NM6030001SN	46	89	RO037180100	50	4	SB33200010B	14	3~6
NM6040001SC	22	30	RO037180100	64	77	SB33200010C	14	3~6
NM6040001SC	44	46	RO044240100	36	59	SB33200010D	14	3~6
NM6040001SC	66	32	RO044240100	42	58	SD0470316TP	26	41
NM6040002SE	72	30	RO048190100	62	36	SD0470316TP	30	34
NM6050001SC	22	31	RO060150100	30	39	SD0500301SP	60	25
NM6050001SE	72	19	RO074240100	68	4	SD0601406TP	50	42
NM6050001SP	44	4	RO080150200	2	40	SD0640356TP	50	10
NM6060001CP	12	67	RO092270200	46	48	SD0640357TP	50	47
NM6060001CP	44	15	RO098240100	62	6	SD0650321TP	60	16
NM6060001SE	68	7	RO219200100	62	7	SD0700346TP	56	69
NM6060003SC	54	18	RO257350100	62	18	SD0700406TP	44	39
NM6060003SC	68	15	SB120000800	10	8	SD0800352SP	70	7
NM6080001SE	74	41	SB120001000	34	11	SD0800616TP	44	25
NM6160511SE	72	18	SB120001000	40	11	SD0800806TP	12	73
NM6510515SP	22	26	SB120002000	10	5	SD0900336TP	68	13
NS6080210SP	26	39	SB307000200	12	74	SD0900356TP	52	48
NS6080210SP	30	32	SB30800130A	14	32~35	SD0900706TP	44	13
NS6090310SP	60	26	SB30800130B	14	32~35	SD0902256TP	70	17
NS6110310SP	26	40	SB30800130C	14	32~35	SD1002306TP	58	15
NS6110310SP	30	33	SB30800130D	14	32~35	SK3311600SE	74	5
NS6110310SP	60	15	SB30800140A	14	41~44	SK3382001SC	74	10
NS6110350SP	58	11	SB30800140B	14	41~44	SK3513200SC	74	12
NS6110420SP	40	36	SB30800140C	14	41~44	SL4030631SC	60	18
NS6150310SP	70	4	SB30800140D	14	41~44	SL4030641SE	60	17
NS6150440SP	70	12	SB30800150A	14	46~49	SL4040691SC	24	63
NS6620310SP	50	45	SB30800150A	18	31~34	SL4040881SC	10	31
NS6660430SP	22	25	SB30800150B	14	46~49	SL4041091SC	62	4
PS0250182KH	50	44	SB30800150B	18	31~34	SL6040892TN	58	7
PS0800202KH	2	41	SB30800150C	16	46~49	SL6052592TN	2	27
PS1000202KP	2	30	SB30800150C	18	31~34	SL6052592TN	10	29
RC0470611KP	60	34	SB30800150D	16	46~49	SL6061492TN	58	12
RC0560711KP	22	19	SB30800150D	18	31~34	SL6084092TN	76	47

NUMERICAL INDEX OF PARTS

PART NO	PAGE	REF NO.	PART NO	PAGE	REF NO.	PART NO	PAGE	REF NO.
SL9061291SE	74	42	SM4051055SP	62	31	SM6061202TP	22	2
SL9082091SE	74	43	SM4051255SP	2	20	SM6061400SP	76	34
SM1030501SN	54	44	SM4051255SP	44	3	SM6061402TP	12	48
SM1040750TP	2	58	SM4051405SE	72	14	SM6061602TP	18	26
SM1040750TP	4	58	SM4051455SP	6	21	SM6061610SC	72	13
SM1041401SN	28	50	SM4052501SN	70	19	SM6062002TP	6	23
SM1041401SN	30	45	SM5040655SN	66	20	SM6062502TP	6	31
SM1042501SP	28	51	SM6030672TP	46	93	SM6062502TP	36	88
SM1042501SP	30	46	SM6040602TP	60	23	SM6062502TP	42	86
SM1061201SN	62	12	SM6040655TP	2	37	SM6063502TP	36	80
SM1081250TP	76	4	SM6040660TP	66	26	SM6063502TP	42	78
SM2040750TP	2	35	SM6040800SP	44	44	SM6750690TP	46	92
SM2040750TP	6	18	SM6040800SP	50	23	SM67506A0TP	36	72
SM2750750TP	2	9	SM6040800SP	68	33	SM67506A0TP	42	68
SM4021201SC	68	28	SM6041050SN	66	24	SM6850400SP	56	53
SM4031001SE	22	40	SM6041602TP	60	30	SM7050850TP	44	21
SM4040601SC	54	5	SM6050650TP	46	66	SM8030312TP	56	54
SM4040655SP	14	8	SM6050800SP	2	5	SM8031612TP	46	88
SM4040655SP	24	64	SM6050800SP	22	37	SM8040412TP	22	9
SM4040655SP	44	7	SM6051000SP	4	64	SM8040412TP	44	85
SM4040655SP	50	28	SM6051000SP	6	14	SM8040412TP	46	85
SM4040655SP	54	37	SM6051000SP	24	68	SM8040612TP	22	15
SM4040655SP	64	61	SM6051000SP	52	51	SM8040612TP	46	83
SM4040855SP	2	47	SM6051002TP	10	24	SM8040642TP	6	54
SM4040855SP	50	35	SM6051002TP	44	20	SM8040642TP	8	54
SM4041001SC	72	26	SM6051002TP	52	52	SM8040642TP	10	47
SM4041055SP	6	43	SM6051002TP	56	57	SM8040802TP	66	21
SM4041201SC	72	28	SM6051002TP	76	35	SM8050412TP	2	14
SM4041255SP	4	49	SM6051202TP	36	66	SM8050412TP	6	9
SM4041655SP	4	55	SM6051202TP	42	65	SM8050412TP	14	39
SM4042001SC	72	29	SM6051202TP	54	71	SM8050412TP	18	46
SM4042055SP	50	5	SM6051202TP	56	71	SM8050412TP	22	17
SM4050655SP	2	29	SM6051400SP	12	69	SM8050412TP	46	51
SM4050655SP	36	53	SM6051400SP	46	98	SM8050502TP	66	22
SM4050655SP	42	52	SM6051400SP	48	98	SM8050612TP	6	20
SM4050655SP	44	68	SM6051400SP	58	13	SM8050612TP	10	17
SM4050655SP	46	68	SM6051600SP	44	41	SM8050612TP	18	47
SM4050655SP	56	63	SM6051602TP	12	58	SM8050612TP	22	7
SM4050855SP	22	41	SM6051850TP	46	70	SM8050612TP	26	42
SM4050855SP	36	56	SM6060750TP	68	3	SM8050612TP	30	35
SM4050855SP	42	55	SM6060800SP	62	1	SM8050812TP	6	5
SM4050855SP	46	55	SM6060800SP	66	34	SM8050812TP	36	76
SM4050855SP	54	26	SM6061150TP	44	2	SM8050812TP	42	72
SM4051055SP	2	22	SM6061200SP	54	28	SM8060550TP	36	48
SM4051055SP	60	21	SM6061200SP	62	13	SM8060550TP	40	47

NUMERICAL INDEX OF PARTS

PART NO	PAGE	REF NO.	PART NO	PAGE	REF NO.	PART NO	PAGE	REF NO.
SM8060552TP	48	95	SS8090670SP	30	56	WP0650876SD	68	14
SM80606A2TP	10	56	SS8090670SP	32	56	WP0651056SH	6	32
SM80606A2TP	12	56	SS8661222TP	22	24	WP0651056SH	18	27
SM80606A2TP	14	9	ST4030851SN	24	61	WP0651056SH	22	3
SM80606A2TP	18	44	ST4040851SN	24	62	WP0871602SE	74	44
SM80606A2TP	34	62	TA0290301M0	36	61	WP1021016SD	70	10
SM80606A2TP	36	62	TA0290301M0	42	82	WP1302501SE	74	32
SM80606A2TP	40	8	TA0600401R0	10	2	WP1612616SE	72	16
SM80606A2TP	44	26	TA0750704R0	12	53	WP1703001SC	58	6
SM80606A2TP	50	25	TA0850604R0	4	59	WS0510002KN	72	20
SM80606A2TP	56	61	TA0850604R0	6	7	WS0861410KR	74	30
SM80608A2TP	10	76	TA0950806R0	12	54	WS1253010KN	74	33
SM80608A2TP	12	76	TA0950806R0	18	42	WS1643202KR	72	17
SM8063012TR	68	8	TA1250406R0	2	50	WT0530002KS	2	10
SM8080812TP	14	28	TA1250406R0	4	50			
SM8081652TP	10	13	TA1250705R0	2	43			
SM9050850SP	54	31	TA1330405R0	4	56			
SM9061853SR	68	17	TA1550902R0	34	6			
SM9086523SE	74	31	TA1550902R0	40	6			
SQ0000401MZ	64	76	WP0350516SD	26	45			
SQ2040501MZ	16	53	WP0350516SD	30	40			
SQ2050453MZ	36	57	WP0371016SD	36	73			
SQ2050453MZ	42	56	WP0371016SD	42	69			
SQ2050453MZ	62	16	WP0430800SD	4	48			
SQ2060451MZ	16	54	WP0430800SD	6	17			
SQ2060451MZ	62	17	WP0430800SD	60	22			
SS1090520TP	54	47	WP0430800SD	64	59			
SS3090520SP	60	36	WP0450801SP	30	38			
SS5060310SP	8	60	WP0450826SC	66	23			
SS5091020SP	26	43	WP0450846SP	50	36			
SS5091020SP	30	36	WP0520656SA	22	42			
SS6090520SP	26	44	WP0520656SA	56	64			
SS6090580TP	56	48	WP0531000SC	4	65			
SS6090630TP	30	37	WP0531000SD	10	25			
SS6121860SP	46	52	WP0531000SD	54	32			
SS6153040SP	36	79	WP0550800SP	6	15			
SS6153040SP	42	77	WP0550800SP	36	67			
SS6560150SH	34	33	WP0550800SP	42	66			
SS6560150SH	40	33	WP0621016SD	12	71			
SS7090910TP	50	29	WP0621016SD	62	37			
SS7110740TP	58	18	WP0621026SP	76	33			
SS7121410TP	70	5	WP0621036SP	70	13			
SS8080660TP	6	61	WP0621046SP	36	81			
SS8080660TP	8	61	WP0621046SP	42	79			
SS8090670SP	26	35	WP0621046SP	54	17			